

ATTACHMENTS & FOLDERS

DESCRIZIONE PAGINA TIPO

EXAMPLE OF PAGE

EXAMPLE DE PAGE

EJEMPLO DE PAGINA

Numero di codice
Code number when ordering
Code de l'article
Numero de código

Disegno dell'articolo
Part drawing
Dessin de l'article
Dibujo de la pieza

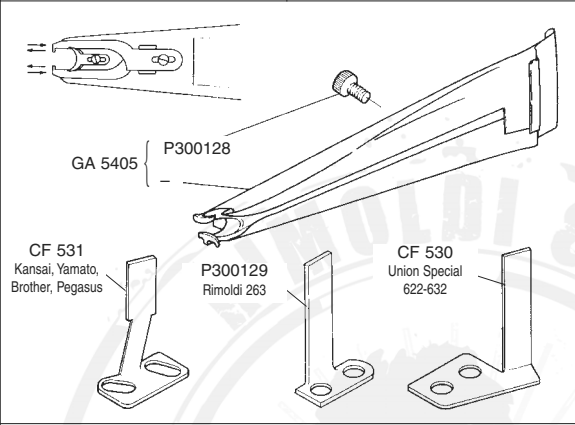
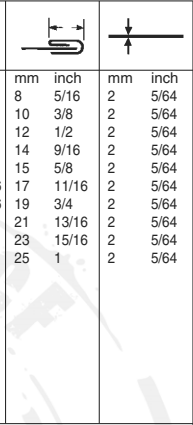
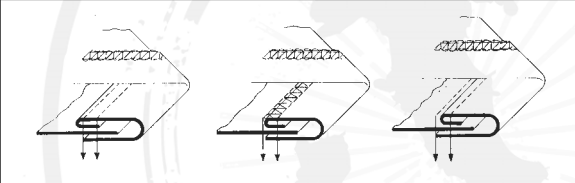
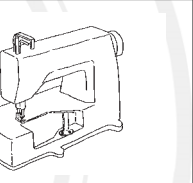
Disegno lavoro
Operation obtained
Travail accompli
Trabajo obtenido

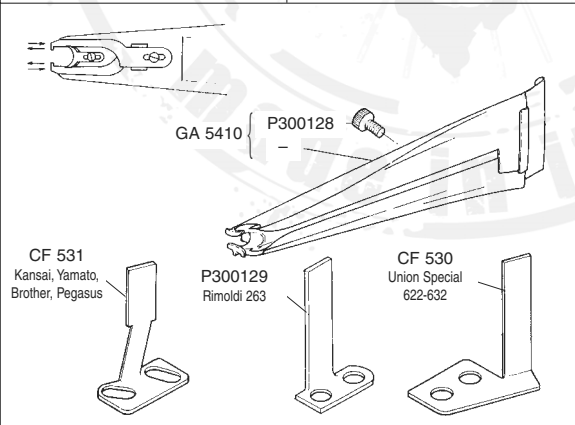
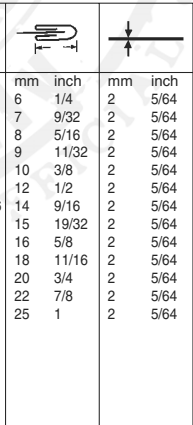
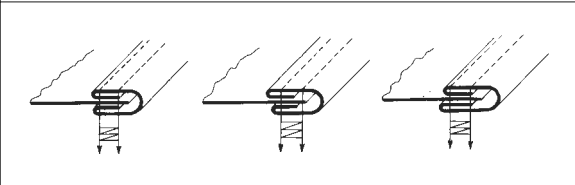
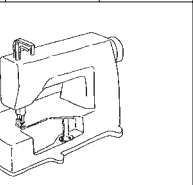
Macchina consigliata
Suggested machine
Machine sugerée
Maquina aconsejada

GO 100 SET		INDICAZIONE PER L'USO IN FABBRICA	INDICAZIONE PER L'USO IN FABBRICA	INDICAZIONE PER L'USO IN FABBRICA	INDICAZIONE PER L'USO IN FABBRICA

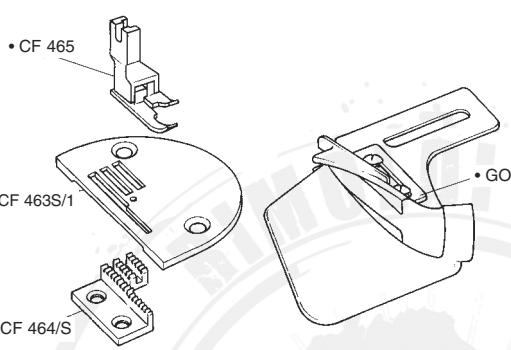

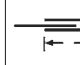
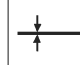

<h2>GA 5150</h2>	DOUBLE BINDER WITH ADJUSTABLE POINTS	BORDATORE DOPPIO CON PUNTE REGOLABILI	BORDEUR DOUBLE AVEC POINTES REGLABLES	GUIADOR DOBLE CON PUNTAS REGULABLES																																																																																
			<table border="1"> <thead> <tr> <th colspan="2">mm</th> <th colspan="2">inch</th> <th rowspan="2">mm</th> <th rowspan="2">inch</th> </tr> </thead> <tbody> <tr> <td>18</td><td>11/16</td> <td>4,5</td><td>11/64</td> <td>M</td> </tr> <tr> <td>20</td><td>3/4</td> <td>5</td><td>3/16</td> <td>M</td> </tr> <tr> <td>22</td><td>7/8</td> <td>6</td><td>1/4</td> <td>M</td> </tr> <tr> <td>25</td><td>1</td> <td>7</td><td>9/32</td> <td>M</td> </tr> <tr> <td>28</td><td>1-1/8</td> <td>8</td><td>5/16</td> <td>M</td> </tr> <tr> <td>30</td><td>1-3/16</td> <td>9</td><td>11/32</td> <td>M</td> </tr> <tr> <td>32</td><td>1-1/4</td> <td>10</td><td>3/8</td> <td>M</td> </tr> <tr> <td>35</td><td>1-3/8</td> <td>11</td><td>7/16</td> <td>M</td> </tr> <tr> <td>40</td><td>1-9/16</td> <td>12</td><td>1/2</td> <td>M</td> </tr> <tr> <td>45</td><td>1-3/4</td> <td>14</td><td>9/16</td> <td>M</td> </tr> </tbody> </table>	mm		inch		mm	inch	18	11/16	4,5	11/64	M	20	3/4	5	3/16	M	22	7/8	6	1/4	M	25	1	7	9/32	M	28	1-1/8	8	5/16	M	30	1-3/16	9	11/32	M	32	1-1/4	10	3/8	M	35	1-3/8	11	7/16	M	40	1-9/16	12	1/2	M	45	1-3/4	14	9/16	M	<table border="1"> <thead> <tr> <th>mm</th> <th>inch</th> <th>mm</th> <th>inch</th> </tr> </thead> <tbody> <tr> <td>4,5</td> <td>11/64</td> <td>5</td> <td>3/16</td> </tr> <tr> <td>6</td> <td>1/4</td> <td>7</td> <td>9/32</td> </tr> <tr> <td>8</td> <td>5/16</td> <td>9</td> <td>11/32</td> </tr> <tr> <td>10</td> <td>3/8</td> <td>11</td> <td>7/16</td> </tr> <tr> <td>12</td> <td>1/2</td> <td>14</td> <td>9/16</td> </tr> </tbody> </table>	mm	inch	mm	inch	4,5	11/64	5	3/16	6	1/4	7	9/32	8	5/16	9	11/32	10	3/8	11	7/16	12	1/2	14	9/16
mm		inch		mm	inch																																																																															
18	11/16	4,5	11/64			M																																																																														
20	3/4	5	3/16	M																																																																																
22	7/8	6	1/4	M																																																																																
25	1	7	9/32	M																																																																																
28	1-1/8	8	5/16	M																																																																																
30	1-3/16	9	11/32	M																																																																																
32	1-1/4	10	3/8	M																																																																																
35	1-3/8	11	7/16	M																																																																																
40	1-9/16	12	1/2	M																																																																																
45	1-3/4	14	9/16	M																																																																																
mm	inch	mm	inch																																																																																	
4,5	11/64	5	3/16																																																																																	
6	1/4	7	9/32																																																																																	
8	5/16	9	11/32																																																																																	
10	3/8	11	7/16																																																																																	
12	1/2	14	9/16																																																																																	
			GA 5103 SET = CF 7250 GA 5113 SET = BROTHER B856 GA 5116 SET = SINGER 457 - JUKI LZ 2280 GA 5118 SET = DURKOPP 271 GA 5120 SET = BROTHER 737, 755 GA 5122 SET = JUKI 5550, 9000 GA 5128 SET = PFAFF 463-900 GA 5133 SET = NECCHI 885 GA 5137 SET = DURKOPP 211 GA 5140 SET = PFAFF 438, 938 GA 5143 SET = DURKOPP 265 GA 5145 SET = PFAFF 138-238 GA 5147 SET = NECCHI 720 GA 5150 SET = NORMAL LOCKSTITCH GA 5155 SET = PFAFF 483																																																																																	

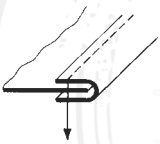
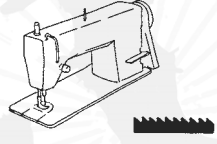
<h2>GA 5152</h2>	RAW EDGE TAPE BINDER WITH ADJUSTABLE POINTS	BORDATORE SEMPLICE CON PUNTE REGOLABILI	BORDEUR SIMPLE AVEC POINTES REGLABLES	GUIADOR SIMPLE CON PUNTAS REGULABLES																																	
			<table border="1"> <thead> <tr> <th colspan="2">mm</th> <th colspan="2">inch</th> <th rowspan="2">mm</th> <th rowspan="2">inch</th> </tr> </thead> <tbody> <tr> <td>12</td><td>1/2</td> <td>6</td><td>1/4</td> <td>M</td> </tr> <tr> <td>14</td><td>9/16</td> <td>7</td><td>9/32</td> <td>M</td> </tr> <tr> <td>16</td><td>5/8</td> <td>8</td><td>5/16</td> <td>M</td> </tr> </tbody> </table>	mm		inch		mm	inch	12	1/2	6	1/4	M	14	9/16	7	9/32	M	16	5/8	8	5/16	M	<table border="1"> <thead> <tr> <th>mm</th> <th>inch</th> <th>mm</th> <th>inch</th> </tr> </thead> <tbody> <tr> <td>6</td> <td>1/4</td> <td>7</td> <td>9/32</td> </tr> <tr> <td>8</td> <td>5/16</td> <td>11</td> <td>7/16</td> </tr> </tbody> </table>	mm	inch	mm	inch	6	1/4	7	9/32	8	5/16	11	7/16
mm		inch		mm	inch																																
12	1/2	6	1/4			M																															
14	9/16	7	9/32	M																																	
16	5/8	8	5/16	M																																	
mm	inch	mm	inch																																		
6	1/4	7	9/32																																		
8	5/16	11	7/16																																		
			GA 5104 SET = CF 7250 GA 5114 SET = BROTHER B856 GA 5117 SET = SINGER 457 - JUKI LZ 2280 GA 5119 SET = DURKOPP 271 GA 5121 SET = BROTHER 737, 755 GA 5123 SET = JUKI 5550, 9000 GA 5129 SET = PFAFF 463-900 GA 5134 SET = NECCHI 885 GA 5138 SET = DURKOPP 211 GA 5142 SET = PFAFF 438, 938 GA 5144 SET = DURKOPP 265 GA 5146 SET = PFAFF 138-238 GA 5148 SET = NECCHI 720 GA 5152 SET = NORMAL LOCKSTITCH GA 5156 SET = PFAFF 483																																		

<p>GA 5405 SET = GA 5405+P300129 GA 5405/1 SET = GA 5405+CF 531 GA 5405/2 SET = GA 5405+CF 530</p>	<p>SPLIT-TUBE FOLDER</p>	<p>GUIDA PER COLLARETTI</p>	<p>GUIDE COLLERETTE</p>	<p>GUIDA PARA COLLARINES</p>																																																																	
	<table border="1"> <thead> <tr> <th>mm</th> <th>inch</th> <th>mm</th> <th>inch</th> <th>mm</th> <th>inch</th> </tr> </thead> <tbody> <tr><td>24</td><td>15/16</td><td>8</td><td>5/16</td><td>2</td><td>5/64</td></tr> <tr><td>28</td><td>1-1/8</td><td>10</td><td>3/8</td><td>2</td><td>5/64</td></tr> <tr><td>32</td><td>1-1/4</td><td>12</td><td>1/2</td><td>2</td><td>5/64</td></tr> <tr><td>35</td><td>1-3/8</td><td>14</td><td>9/16</td><td>2</td><td>5/64</td></tr> <tr><td>38</td><td>1-1/2</td><td>15</td><td>5/8</td><td>2</td><td>5/64</td></tr> <tr><td>42</td><td>1-11/16</td><td>17</td><td>11/16</td><td>2</td><td>5/64</td></tr> <tr><td>46</td><td>1-13/16</td><td>19</td><td>3/4</td><td>2</td><td>5/64</td></tr> <tr><td>50</td><td>2</td><td>21</td><td>13/16</td><td>2</td><td>5/64</td></tr> <tr><td>55</td><td>2-3/16</td><td>23</td><td>15/16</td><td>2</td><td>5/64</td></tr> <tr><td>60</td><td>2-3/8</td><td>25</td><td>1</td><td>2</td><td>5/64</td></tr> </tbody> </table>	mm	inch	mm	inch	mm	inch	24	15/16	8	5/16	2	5/64	28	1-1/8	10	3/8	2	5/64	32	1-1/4	12	1/2	2	5/64	35	1-3/8	14	9/16	2	5/64	38	1-1/2	15	5/8	2	5/64	42	1-11/16	17	11/16	2	5/64	46	1-13/16	19	3/4	2	5/64	50	2	21	13/16	2	5/64	55	2-3/16	23	15/16	2	5/64	60	2-3/8	25	1	2	5/64		
mm	inch	mm	inch	mm	inch																																																																
24	15/16	8	5/16	2	5/64																																																																
28	1-1/8	10	3/8	2	5/64																																																																
32	1-1/4	12	1/2	2	5/64																																																																
35	1-3/8	14	9/16	2	5/64																																																																
38	1-1/2	15	5/8	2	5/64																																																																
42	1-11/16	17	11/16	2	5/64																																																																
46	1-13/16	19	3/4	2	5/64																																																																
50	2	21	13/16	2	5/64																																																																
55	2-3/16	23	15/16	2	5/64																																																																
60	2-3/8	25	1	2	5/64																																																																
																																																																					

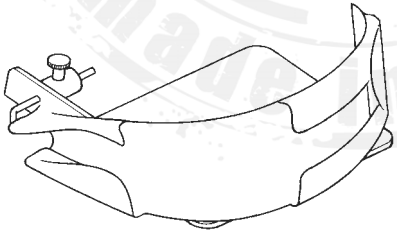


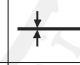

<p>GA 5410 SET = GA 5410+P300129 GA 5410/1 SET = GA 5410+CF 531 GA 5410/2 SET = GA 5410+CF 530</p>	<p>SPLIT-TUBE FOLDER</p>	<p>GUIDA PER COLLARETTI</p>	<p>GUIDE COLLERETTE</p>	<p>GUIDA PARA COLLARINES</p>																																																																																			
	<table border="1"> <thead> <tr> <th>mm</th> <th>inch</th> <th>mm</th> <th>inch</th> <th>mm</th> <th>inch</th> </tr> </thead> <tbody> <tr><td>24</td><td>15/16</td><td>6</td><td>1/4</td><td>2</td><td>5/64</td></tr> <tr><td>28</td><td>1-1/8</td><td>7</td><td>9/32</td><td>2</td><td>5/64</td></tr> <tr><td>30</td><td>1-3/16</td><td>8</td><td>5/16</td><td>2</td><td>5/64</td></tr> <tr><td>32</td><td>1-1/4</td><td>9</td><td>11/32</td><td>2</td><td>5/64</td></tr> <tr><td>35</td><td>1-3/8</td><td>10</td><td>3/8</td><td>2</td><td>5/64</td></tr> <tr><td>38</td><td>1-1/2</td><td>12</td><td>1/2</td><td>2</td><td>5/64</td></tr> <tr><td>42</td><td>1-11/16</td><td>14</td><td>9/16</td><td>2</td><td>5/64</td></tr> <tr><td>45</td><td>1-3/4</td><td>15</td><td>19/32</td><td>2</td><td>5/64</td></tr> <tr><td>48</td><td>1-7/8</td><td>16</td><td>5/8</td><td>2</td><td>5/64</td></tr> <tr><td>52</td><td>2-1/16</td><td>18</td><td>11/16</td><td>2</td><td>5/64</td></tr> <tr><td>56</td><td>2-3/16</td><td>20</td><td>3/4</td><td>2</td><td>5/64</td></tr> <tr><td>60</td><td>2-3/8</td><td>22</td><td>7/8</td><td>2</td><td>5/64</td></tr> <tr><td>66</td><td>2-5/8</td><td>25</td><td>1</td><td>2</td><td>5/64</td></tr> </tbody> </table>	mm	inch	mm	inch	mm	inch	24	15/16	6	1/4	2	5/64	28	1-1/8	7	9/32	2	5/64	30	1-3/16	8	5/16	2	5/64	32	1-1/4	9	11/32	2	5/64	35	1-3/8	10	3/8	2	5/64	38	1-1/2	12	1/2	2	5/64	42	1-11/16	14	9/16	2	5/64	45	1-3/4	15	19/32	2	5/64	48	1-7/8	16	5/8	2	5/64	52	2-1/16	18	11/16	2	5/64	56	2-3/16	20	3/4	2	5/64	60	2-3/8	22	7/8	2	5/64	66	2-5/8	25	1	2	5/64		
mm	inch	mm	inch	mm	inch																																																																																		
24	15/16	6	1/4	2	5/64																																																																																		
28	1-1/8	7	9/32	2	5/64																																																																																		
30	1-3/16	8	5/16	2	5/64																																																																																		
32	1-1/4	9	11/32	2	5/64																																																																																		
35	1-3/8	10	3/8	2	5/64																																																																																		
38	1-1/2	12	1/2	2	5/64																																																																																		
42	1-11/16	14	9/16	2	5/64																																																																																		
45	1-3/4	15	19/32	2	5/64																																																																																		
48	1-7/8	16	5/8	2	5/64																																																																																		
52	2-1/16	18	11/16	2	5/64																																																																																		
56	2-3/16	20	3/4	2	5/64																																																																																		
60	2-3/8	22	7/8	2	5/64																																																																																		
66	2-5/8	25	1	2	5/64																																																																																		
																																																																																							

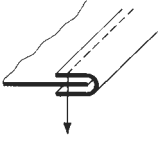
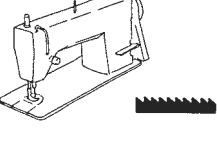
GO 100 SET	BINDER FOR STIFF RIBBONS	BORDATORE PER NASTRI RIGIDI	BORDEUR POUR RUBANS RIGIDES	GUIADOR SIMPLE PARA CINTAS RIGIDAS
-------------------	-----------------------------	--------------------------------	--------------------------------	---------------------------------------

 <p style="text-align: center;">• = GO 100 SET</p>																																																																																								
<table border="1" style="width:100%; border-collapse: collapse; text-align: center;"> <thead> <tr> <th colspan="2">mm</th> <th colspan="2">inch</th> <th></th> <th></th> </tr> </thead> <tbody> <tr><td>10</td><td>3/8</td><td>5</td><td>3/16</td><td></td><td>CF 465/1</td></tr> <tr><td>12</td><td>1/2</td><td>6</td><td>1/4</td><td>M</td><td>CF 465/1</td></tr> <tr><td>14</td><td>9/16</td><td>7</td><td>9/32</td><td>M</td><td>CF 465/2</td></tr> <tr><td>16</td><td>5/8</td><td>8</td><td>5/16</td><td>M</td><td>CF 465/3</td></tr> <tr><td>19</td><td>3/4</td><td>9,5</td><td>3/8</td><td>M - H</td><td>CF 465/4</td></tr> <tr><td>22</td><td>7/8</td><td>11</td><td>7/16</td><td>M</td><td>CF 465/5</td></tr> <tr><td>25</td><td>1</td><td>12,5</td><td>1/2</td><td>M - H</td><td>CF 465/5</td></tr> <tr><td>28</td><td>1 - 1/8</td><td>14</td><td>9/16</td><td>M</td><td>CF 465/5</td></tr> <tr><td>30</td><td>1 - 3/16</td><td>15</td><td>19/32</td><td>M - H</td><td>CF 465/5</td></tr> <tr><td>32</td><td>1 - 1/4</td><td>16</td><td>5/8</td><td>M</td><td>CF 465/5</td></tr> <tr><td>35</td><td>1 - 3/8</td><td>17,5</td><td>11/16</td><td>M - H</td><td>CF 465/5</td></tr> <tr><td>40</td><td>1 - 9/16</td><td>20</td><td>3/4</td><td>M</td><td>CF 465/5</td></tr> <tr><td>45</td><td>1 - 3/4</td><td>22</td><td>7/8</td><td>M</td><td>CF 465/5</td></tr> </tbody> </table>					mm		inch				10	3/8	5	3/16		CF 465/1	12	1/2	6	1/4	M	CF 465/1	14	9/16	7	9/32	M	CF 465/2	16	5/8	8	5/16	M	CF 465/3	19	3/4	9,5	3/8	M - H	CF 465/4	22	7/8	11	7/16	M	CF 465/5	25	1	12,5	1/2	M - H	CF 465/5	28	1 - 1/8	14	9/16	M	CF 465/5	30	1 - 3/16	15	19/32	M - H	CF 465/5	32	1 - 1/4	16	5/8	M	CF 465/5	35	1 - 3/8	17,5	11/16	M - H	CF 465/5	40	1 - 9/16	20	3/4	M	CF 465/5	45	1 - 3/4	22	7/8	M	CF 465/5
mm		inch																																																																																						
10	3/8	5	3/16		CF 465/1																																																																																			
12	1/2	6	1/4	M	CF 465/1																																																																																			
14	9/16	7	9/32	M	CF 465/2																																																																																			
16	5/8	8	5/16	M	CF 465/3																																																																																			
19	3/4	9,5	3/8	M - H	CF 465/4																																																																																			
22	7/8	11	7/16	M	CF 465/5																																																																																			
25	1	12,5	1/2	M - H	CF 465/5																																																																																			
28	1 - 1/8	14	9/16	M	CF 465/5																																																																																			
30	1 - 3/16	15	19/32	M - H	CF 465/5																																																																																			
32	1 - 1/4	16	5/8	M	CF 465/5																																																																																			
35	1 - 3/8	17,5	11/16	M - H	CF 465/5																																																																																			
40	1 - 9/16	20	3/4	M	CF 465/5																																																																																			
45	1 - 3/4	22	7/8	M	CF 465/5																																																																																			

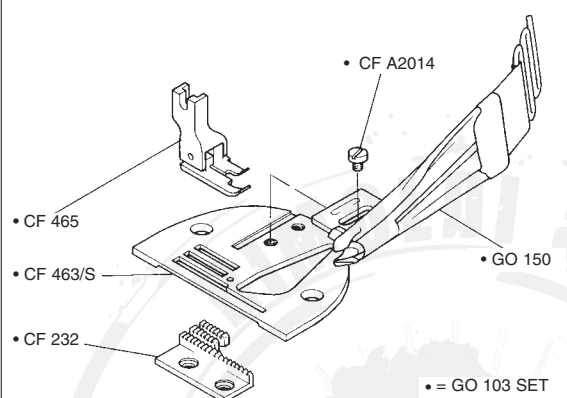
		<p style="text-align: center;">A RICHIESTA: GUIDE FUORI MISURA ON REQUEST: ALL THE OTHER SIZES</p>
---	---	---

GO 102	BINDER FOR PLASTIC MATERIAL	BORDATORE PER MATERIALI PLASTICI	BORDEUR POUR RUBANS PLASTIQUES	GUIADOR PARA MATERIALES PLASTICOS
---------------	-----------------------------------	--	--------------------------------------	---

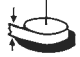

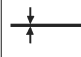
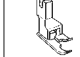
 <p style="text-align: center;">• = GO 100 SET</p>				
---	---	---	---	--


		<p style="text-align: center;">COSTRUITO SU RICHIESTA MANUFACTURED ON REQUEST FABRIQUE SUR COMMANDE SE CONSTRUYE SOBRE DEMANDA</p>
---	---	---

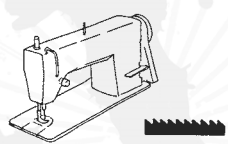
GO 103 SET	RIGHT ANGLE BINDER FOR CF 7250	BORDATORE PER MACCHINE CF 7250	BORDEUR DOUBLE REMPLE POUR CF 7250	GUIADOR DOBLE PARA MAQUINAS CF 7250
-------------------	--------------------------------------	--------------------------------------	--	---



• = GO 103 SET

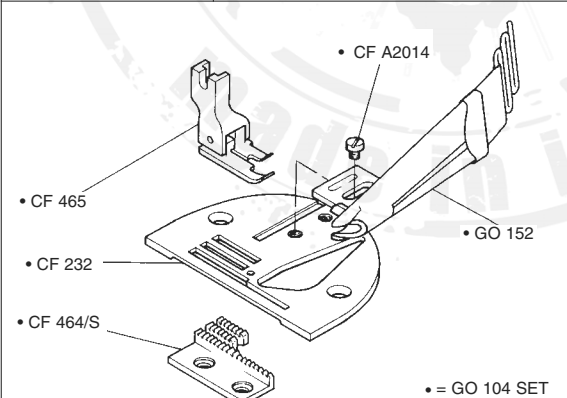
					
mm	inch	mm	inch		
13	1/2	3,5	1/8	M	CF 465/0
16	5/8	4	5/32	M	CF 465/0
18	11/16	4,5	11/64	M	CF 465/0
20	3/4	5	3/16	M and H	CF 465/1
22	7/8	6	1/4	M and H	CF 465/1
25	1	7	9/32	M and H	CF 465/1
28	1 - 1/8	8	5/16	M and H	CF 465/2
30	1 - 3/16	9	11/32	M and H	CF 465/3
32	1 - 1/4	10	3/8	M and H	CF 465/3
35	1 - 3/8	11	7/16	M and H	CF 465/4
40	1 - 9/16	12	15/32	M and H	CF 465/5
45	1 - 3/4	14	9/16	M and H	CF 465/5
50	2	16	5/8	M	CF 465/5




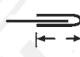




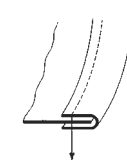
**A RICHIESTA:
GUIDE FUORI MISURA
ON REQUEST:
ALL THE OTHER SIZES**

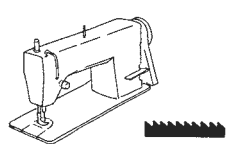
GO 104 SET	RAW EDGE TAPE BINDER FOR CF 7250	BORDATORE PER MACCHINE CF 7250	BORDEUR SIMPLE REMPLE POUR CF 7250	GUIADOR SIMPLE PARA MAQUINAS CF 7250
-------------------	--	--------------------------------------	--	--



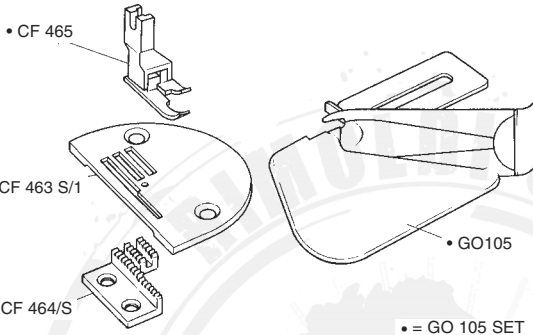

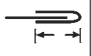
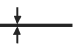

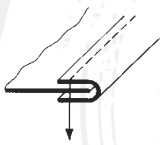
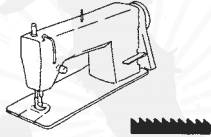
• = GO 104 SET

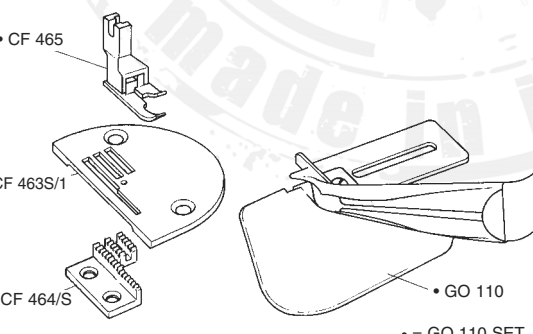


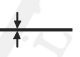

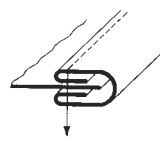
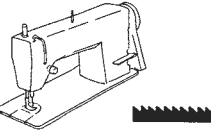
					
mm	inch	mm	inch		
10	3/8	5	3/16	M	CF 465/1
12	1/2	6	1/4	M	CF 465/1
14	9/16	7	9/32	M	CF 465/1
16	5/8	8	5/16	M	CF 465/2
18	11/16	9	11/32	M	CF 465/3
20	3/4	10	3/8	M - H	CF 465/3
22	7/8	11	7/16	M	CF 465/4
25	1	12,5	1/2	M - H	CF 465/5
28	1 - 1/8	14	9/16	M	CF 465/5
30	1 - 3/16	15	19/32	M - H	CF 465/5
35	1 - 3/8	17,5	11/16	M - H	CF 465/5





**A RICHIESTA:
GUIDE FUORI MISURA
ON REQUEST:
ALL THE OTHER SIZES**

<h2>GO 105 SET</h2>	BINDER	BORDATORE	BORDEUR	GUIADOR																																																																						
<ul style="list-style-type: none"> • CF 465 • CF 463 S/1 • CF 464/S  <p>• = GO 105 SET</p>	   	<table border="1"> <thead> <tr> <th>mm</th> <th>inch</th> <th>mm</th> <th>inch</th> <th></th> <th></th> </tr> </thead> <tbody> <tr><td>10</td><td>3/8</td><td>5</td><td>3/16</td><td></td><td></td></tr> <tr><td>12</td><td>1/2</td><td>6</td><td>1/4</td><td>L</td><td>CF 465/1</td></tr> <tr><td>14</td><td>9/16</td><td>7</td><td>9/32</td><td>L</td><td>CF 465/1</td></tr> <tr><td>16</td><td>5/8</td><td>8</td><td>5/16</td><td>L</td><td>CF 465/2</td></tr> <tr><td>18</td><td>11/16</td><td>9</td><td>11/32</td><td>L</td><td>CF 465/3</td></tr> <tr><td>20</td><td>3/4</td><td>10</td><td>3/8</td><td>L</td><td>CF 465/4</td></tr> <tr><td>22</td><td>7/8</td><td>11</td><td>7/16</td><td>L</td><td>CF 465/5</td></tr> <tr><td>25</td><td>1</td><td>12.5</td><td>1/2</td><td>L</td><td>CF 465/5</td></tr> <tr><td>28</td><td>1 - 1/8</td><td>14</td><td>9/16</td><td>L</td><td>CF 465/5</td></tr> <tr><td>30</td><td>1 - 3/16</td><td>15</td><td>19/32</td><td>L</td><td>CF 465/5</td></tr> <tr><td>32</td><td>1 - 1/4</td><td>16</td><td>5/8</td><td>L</td><td>CF 465/5</td></tr> </tbody> </table>	mm	inch	mm	inch			10	3/8	5	3/16			12	1/2	6	1/4	L	CF 465/1	14	9/16	7	9/32	L	CF 465/1	16	5/8	8	5/16	L	CF 465/2	18	11/16	9	11/32	L	CF 465/3	20	3/4	10	3/8	L	CF 465/4	22	7/8	11	7/16	L	CF 465/5	25	1	12.5	1/2	L	CF 465/5	28	1 - 1/8	14	9/16	L	CF 465/5	30	1 - 3/16	15	19/32	L	CF 465/5	32	1 - 1/4	16	5/8	L	CF 465/5
mm	inch	mm	inch																																																																							
10	3/8	5	3/16																																																																							
12	1/2	6	1/4	L	CF 465/1																																																																					
14	9/16	7	9/32	L	CF 465/1																																																																					
16	5/8	8	5/16	L	CF 465/2																																																																					
18	11/16	9	11/32	L	CF 465/3																																																																					
20	3/4	10	3/8	L	CF 465/4																																																																					
22	7/8	11	7/16	L	CF 465/5																																																																					
25	1	12.5	1/2	L	CF 465/5																																																																					
28	1 - 1/8	14	9/16	L	CF 465/5																																																																					
30	1 - 3/16	15	19/32	L	CF 465/5																																																																					
32	1 - 1/4	16	5/8	L	CF 465/5																																																																					
		<p>A RICHIESTA: GUIDE FUORI MISURA ON REQUEST: ALL THE OTHER SIZES</p>																																																																								

<h2>GO 110 SET</h2>	BINDER	BORDATORE	BORDEUR	GUIADOR																																																																
<ul style="list-style-type: none"> • CF 465 • CF 463S/1 • CF 464/S  <p>• = GO 110 SET</p>	   	<table border="1"> <thead> <tr> <th>mm</th> <th>inch</th> <th>mm</th> <th>inch</th> <th></th> <th></th> </tr> </thead> <tbody> <tr><td>16</td><td>5/8</td><td>4</td><td>5/32</td><td></td><td></td></tr> <tr><td>19</td><td>3/4</td><td>5</td><td>3/16</td><td>L</td><td>CF 465/1</td></tr> <tr><td>22</td><td>7/8</td><td>6</td><td>1/4</td><td>L</td><td>CF 465/1</td></tr> <tr><td>25</td><td>1</td><td>7</td><td>9/32</td><td>L</td><td>CF 465/2</td></tr> <tr><td>28</td><td>1 - 1/8</td><td>7.5</td><td>5/16</td><td>L</td><td>CF 465/2</td></tr> <tr><td>30</td><td>1 - 3/16</td><td>8</td><td>5/16</td><td>L - H</td><td>CF 465/3</td></tr> <tr><td>32</td><td>1 - 1/4</td><td>8.5</td><td>11/32</td><td>L</td><td>CF 465/3</td></tr> <tr><td>35</td><td>1 - 3/8</td><td>9</td><td>11/32</td><td>L - H</td><td>CF 465/4</td></tr> <tr><td>40</td><td>1 - 9/16</td><td>11</td><td>7/16</td><td>L - H</td><td>CF 465/5</td></tr> <tr><td>45</td><td>1 - 3/4</td><td>12</td><td>1/2</td><td>L - H</td><td>CF 465/5</td></tr> </tbody> </table>	mm	inch	mm	inch			16	5/8	4	5/32			19	3/4	5	3/16	L	CF 465/1	22	7/8	6	1/4	L	CF 465/1	25	1	7	9/32	L	CF 465/2	28	1 - 1/8	7.5	5/16	L	CF 465/2	30	1 - 3/16	8	5/16	L - H	CF 465/3	32	1 - 1/4	8.5	11/32	L	CF 465/3	35	1 - 3/8	9	11/32	L - H	CF 465/4	40	1 - 9/16	11	7/16	L - H	CF 465/5	45	1 - 3/4	12	1/2	L - H	CF 465/5
mm	inch	mm	inch																																																																	
16	5/8	4	5/32																																																																	
19	3/4	5	3/16	L	CF 465/1																																																															
22	7/8	6	1/4	L	CF 465/1																																																															
25	1	7	9/32	L	CF 465/2																																																															
28	1 - 1/8	7.5	5/16	L	CF 465/2																																																															
30	1 - 3/16	8	5/16	L - H	CF 465/3																																																															
32	1 - 1/4	8.5	11/32	L	CF 465/3																																																															
35	1 - 3/8	9	11/32	L - H	CF 465/4																																																															
40	1 - 9/16	11	7/16	L - H	CF 465/5																																																															
45	1 - 3/4	12	1/2	L - H	CF 465/5																																																															
		<p>A RICHIESTA: GUIDE FUORI MISURA ON REQUEST: ALL THE OTHER SIZES</p>																																																																		

GO 111 SET	BINDER WITH AIR JET FEED FOR SHORT STRIPS	BORDATORE CON INSERIMENTO AD ARIA PER LISTE A SPEZZONI	BORDEUR AVEC SYSTEME D' AIR COMPRI ME POUR INSERTION DE BANDES PRE-COUPÉES	GUIADOR PARA TIRAS TROCEADAS CON PRENSATELAS Y DISPOSITIVO NEUMATICO
-------------------	---	--	--	--

mm inch	mm inch		
32 1-1/4	10 3/8	L	CF 465/4
36 1-3/8	12 15/32	L	CF 465/5
40 1-9/16	14 9/16	L	CF 465/5

• = GO 111 SET

CONSTRUITO SU RICHIESTA
MANUFACTURED ON REQUEST
FABRIQUE SUR COMMANDE
SE COSTRUYE SOBRE DEMANDA

GO 113 SET	RIGHT ANGLE BINDER FOR BROTHER B856	BORDATORE PER BROTHER B856	BORDEUR DOUBLE REMPLI POUR BROTHER B856	GUIADOR DOBLE PARA BROTHER B856
-------------------	-------------------------------------	----------------------------	---	---------------------------------

mm inch	mm inch		
13 1/2	3,5 1/8	M	CF 854/1
16 5/8	4 5/32	M	CF 854/1
18 11/16	4,5 11/64	M	CF 854/1
20 3/4	5 3/16	M and H	CF 854/1
22 7/8	6 1/4	M and H	CF 854/1
25 1	7 9/32	M and H	CF 854/1
28 1-1/8	8 5/16	M and H	CF 854/1
30 1-3/16	9 11/32	M and H	CF 854/1
32 1-1/4	10 3/8	M and H	CF 854/2
35 1-3/8	11 7/16	M and H	CF 854/2
40 1-9/16	12 15/32	M and H	CF 854/2
45 1-3/4	14 9/16	M and H	CF 854/2
50 2	16 5/8	M	CF 854/2

• = GO 113 SET

A RICHIESTA:
GUIDE FUORI MISURA
ON REQUEST:
ALL THE OTHER SIZES

<h2>GO 114 SET</h2>	RAW EDGE TAPE BINDER FOR BROTHER B856	BORDATORE PER BROTHER B856	BORDEUR SIMPLE REMPLI POUR BROTHER B856	GUIADOR SIMPLE PARA BROTHER B856
---------------------	---	-------------------------------	---	-------------------------------------

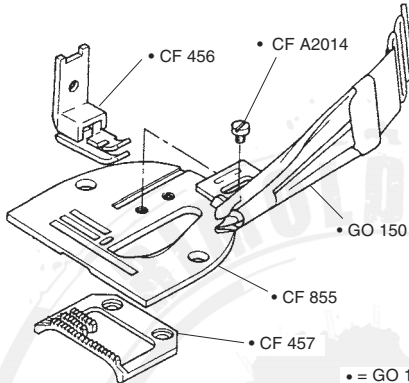
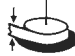
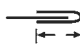
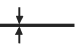

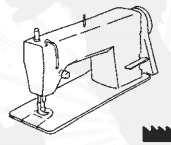
<table border="1"> <thead> <tr> <th>mm</th> <th>inch</th> </tr> </thead> <tbody> <tr><td>10</td><td>3/8</td></tr> <tr><td>12</td><td>1/2</td></tr> <tr><td>14</td><td>9/16</td></tr> <tr><td>16</td><td>5/8</td></tr> <tr><td>18</td><td>11/16</td></tr> <tr><td>20</td><td>3/4</td></tr> <tr><td>22</td><td>7/8</td></tr> <tr><td>25</td><td>1</td></tr> <tr><td>28</td><td>1-1/8</td></tr> <tr><td>30</td><td>1-3/16</td></tr> <tr><td>35</td><td>1-3/8</td></tr> </tbody> </table>	mm	inch	10	3/8	12	1/2	14	9/16	16	5/8	18	11/16	20	3/4	22	7/8	25	1	28	1-1/8	30	1-3/16	35	1-3/8	<table border="1"> <thead> <tr> <th>mm</th> <th>inch</th> </tr> </thead> <tbody> <tr><td>5</td><td>3/16</td></tr> <tr><td>6</td><td>1/4</td></tr> <tr><td>7</td><td>9/32</td></tr> <tr><td>8</td><td>5/16</td></tr> <tr><td>9</td><td>11/32</td></tr> <tr><td>10</td><td>3/8</td></tr> <tr><td>11</td><td>7/16</td></tr> <tr><td>12.5</td><td>1/2</td></tr> <tr><td>14</td><td>9/16</td></tr> <tr><td>15</td><td>19/32</td></tr> <tr><td>17.5</td><td>11/16</td></tr> </tbody> </table>	mm	inch	5	3/16	6	1/4	7	9/32	8	5/16	9	11/32	10	3/8	11	7/16	12.5	1/2	14	9/16	15	19/32	17.5	11/16	<table border="1"> <thead> <tr> <th></th> <th></th> </tr> </thead> <tbody> <tr><td>M</td><td>CF 854/1</td></tr> <tr><td>M</td><td>CF 854/1</td></tr> <tr><td>M</td><td>CF 854/1</td></tr> <tr><td>M</td><td>CF 854/1</td></tr> <tr><td>M</td><td>CF 854/1</td></tr> <tr><td>M - H</td><td>CF 854/2</td></tr> <tr><td>M</td><td>CF 854/2</td></tr> <tr><td>M - H</td><td>CF 854/2</td></tr> <tr><td>M</td><td>CF 854/2</td></tr> <tr><td>M - H</td><td>CF 854/2</td></tr> <tr><td>M - H</td><td>CF 854/2</td></tr> </tbody> </table>			M	CF 854/1	M	CF 854/1	M	CF 854/1	M	CF 854/1	M	CF 854/1	M - H	CF 854/2	M	CF 854/2	M - H	CF 854/2	M	CF 854/2	M - H	CF 854/2	M - H	CF 854/2	
mm	inch																																																																										
10	3/8																																																																										
12	1/2																																																																										
14	9/16																																																																										
16	5/8																																																																										
18	11/16																																																																										
20	3/4																																																																										
22	7/8																																																																										
25	1																																																																										
28	1-1/8																																																																										
30	1-3/16																																																																										
35	1-3/8																																																																										
mm	inch																																																																										
5	3/16																																																																										
6	1/4																																																																										
7	9/32																																																																										
8	5/16																																																																										
9	11/32																																																																										
10	3/8																																																																										
11	7/16																																																																										
12.5	1/2																																																																										
14	9/16																																																																										
15	19/32																																																																										
17.5	11/16																																																																										
M	CF 854/1																																																																										
M	CF 854/1																																																																										
M	CF 854/1																																																																										
M	CF 854/1																																																																										
M	CF 854/1																																																																										
M - H	CF 854/2																																																																										
M	CF 854/2																																																																										
M - H	CF 854/2																																																																										
M	CF 854/2																																																																										
M - H	CF 854/2																																																																										
M - H	CF 854/2																																																																										

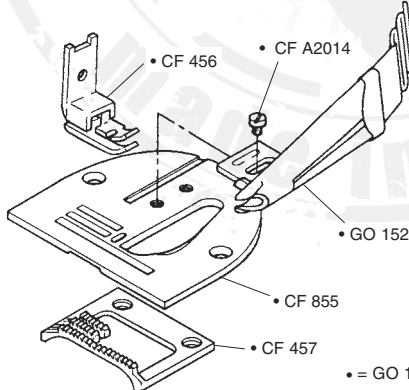

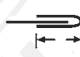
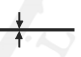
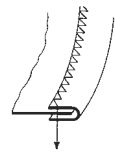
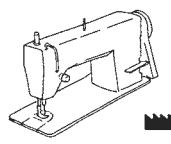
		<p>A RICHIESTA: GUIDE FUORI MISURA ON REQUEST: ALL THE OTHER SIZES</p>
--	--	---

<h2>GO 115 SET</h2>	BINDER FOR STIFF RIBBONS	BORDATORE PER NASTRI RIGIDI	BORDEUR POUR RUBANS RIGIDES	GUIADOR SIMPLE PARA CINTAS RIGIDAS
---------------------	-----------------------------	--------------------------------	--------------------------------	---------------------------------------

<table border="1"> <thead> <tr> <th>mm</th> <th>inch</th> </tr> </thead> <tbody> <tr><td>19</td><td>3/4</td></tr> <tr><td>22</td><td>7/8</td></tr> <tr><td>25</td><td>1</td></tr> <tr><td>30</td><td>1-1/26</td></tr> <tr><td>35</td><td>1-3/8</td></tr> <tr><td>40</td><td>1-9/16</td></tr> </tbody> </table>	mm	inch	19	3/4	22	7/8	25	1	30	1-1/26	35	1-3/8	40	1-9/16	<table border="1"> <thead> <tr> <th>mm</th> <th>inch</th> </tr> </thead> <tbody> <tr><td>5</td><td>3/16</td></tr> <tr><td>6</td><td>1/4</td></tr> <tr><td>7</td><td>9/32</td></tr> <tr><td>8</td><td>5/16</td></tr> <tr><td>9</td><td>11/32</td></tr> <tr><td>11</td><td>7/16</td></tr> </tbody> </table>	mm	inch	5	3/16	6	1/4	7	9/32	8	5/16	9	11/32	11	7/16	<table border="1"> <thead> <tr> <th></th> <th></th> </tr> </thead> <tbody> <tr><td>M</td><td>CF 465/1</td></tr> <tr><td>M</td><td>CF 465/1</td></tr> <tr><td>M</td><td>CF 465/2</td></tr> <tr><td>M</td><td>CF 465/3</td></tr> <tr><td>M</td><td>CF 465/4</td></tr> <tr><td>M</td><td>CF 465/5</td></tr> </tbody> </table>			M	CF 465/1	M	CF 465/1	M	CF 465/2	M	CF 465/3	M	CF 465/4	M	CF 465/5	
mm	inch																																												
19	3/4																																												
22	7/8																																												
25	1																																												
30	1-1/26																																												
35	1-3/8																																												
40	1-9/16																																												
mm	inch																																												
5	3/16																																												
6	1/4																																												
7	9/32																																												
8	5/16																																												
9	11/32																																												
11	7/16																																												
M	CF 465/1																																												
M	CF 465/1																																												
M	CF 465/2																																												
M	CF 465/3																																												
M	CF 465/4																																												
M	CF 465/5																																												

		<p>A RICHIESTA: GUIDE FUORI MISURA ON REQUEST: ALL THE OTHER SIZES</p>
--	--	---

<h2>GO 116 SET</h2>	RIGHT ANGLE BINDER FOR SINGER 457 JUKI LZ 2280	BORDATORE PER SINGER 457 JUKI LZ 2280	BORDEUR DOUBLE REMPLE POUR SINGER 457 JUKI LZ 2280	GUIADOR DOBLE PARA SINGER 457 JUKI LZ 2280																																																																																					
 <p>• = GO 116 SET</p>			 <table border="1"> <thead> <tr> <th>mm</th> <th>inch</th> </tr> </thead> <tbody> <tr><td>13</td><td>1/2</td></tr> <tr><td>16</td><td>5/8</td></tr> <tr><td>18</td><td>11/16</td></tr> <tr><td>20</td><td>3/4</td></tr> <tr><td>22</td><td>7/8</td></tr> <tr><td>25</td><td>1</td></tr> <tr><td>28</td><td>1-1/8</td></tr> <tr><td>30</td><td>1-3/16</td></tr> <tr><td>32</td><td>1-1/4</td></tr> <tr><td>35</td><td>1-3/8</td></tr> <tr><td>40</td><td>1-9/16</td></tr> <tr><td>45</td><td>1-3/4</td></tr> <tr><td>50</td><td>2</td></tr> </tbody> </table>	mm	inch	13	1/2	16	5/8	18	11/16	20	3/4	22	7/8	25	1	28	1-1/8	30	1-3/16	32	1-1/4	35	1-3/8	40	1-9/16	45	1-3/4	50	2	 <table border="1"> <thead> <tr> <th>mm</th> <th>inch</th> </tr> </thead> <tbody> <tr><td>3,5</td><td>1/8</td></tr> <tr><td>4</td><td>5/32</td></tr> <tr><td>4,5</td><td>11/64</td></tr> <tr><td>5</td><td>3/16</td></tr> <tr><td>6</td><td>1/4</td></tr> <tr><td>7</td><td>9/32</td></tr> <tr><td>8</td><td>5/16</td></tr> <tr><td>9</td><td>11/32</td></tr> <tr><td>10</td><td>3/8</td></tr> <tr><td>11</td><td>7/16</td></tr> <tr><td>12</td><td>15/32</td></tr> <tr><td>14</td><td>9/16</td></tr> <tr><td>16</td><td>5/8</td></tr> </tbody> </table>	mm	inch	3,5	1/8	4	5/32	4,5	11/64	5	3/16	6	1/4	7	9/32	8	5/16	9	11/32	10	3/8	11	7/16	12	15/32	14	9/16	16	5/8	 <table border="1"> <thead> <tr> <th>mm</th> <th>inch</th> </tr> </thead> <tbody> <tr><td>13</td><td>1/2</td></tr> <tr><td>16</td><td>5/8</td></tr> <tr><td>18</td><td>11/16</td></tr> <tr><td>20</td><td>3/4</td></tr> <tr><td>22</td><td>7/8</td></tr> <tr><td>25</td><td>1</td></tr> <tr><td>28</td><td>1-1/8</td></tr> <tr><td>30</td><td>1-3/16</td></tr> <tr><td>32</td><td>1-1/4</td></tr> <tr><td>35</td><td>1-3/8</td></tr> <tr><td>40</td><td>1-9/16</td></tr> <tr><td>45</td><td>1-3/4</td></tr> <tr><td>50</td><td>2</td></tr> </tbody> </table>	mm	inch	13	1/2	16	5/8	18	11/16	20	3/4	22	7/8	25	1	28	1-1/8	30	1-3/16	32	1-1/4	35	1-3/8	40	1-9/16	45	1-3/4	50	2
mm	inch																																																																																								
13	1/2																																																																																								
16	5/8																																																																																								
18	11/16																																																																																								
20	3/4																																																																																								
22	7/8																																																																																								
25	1																																																																																								
28	1-1/8																																																																																								
30	1-3/16																																																																																								
32	1-1/4																																																																																								
35	1-3/8																																																																																								
40	1-9/16																																																																																								
45	1-3/4																																																																																								
50	2																																																																																								
mm	inch																																																																																								
3,5	1/8																																																																																								
4	5/32																																																																																								
4,5	11/64																																																																																								
5	3/16																																																																																								
6	1/4																																																																																								
7	9/32																																																																																								
8	5/16																																																																																								
9	11/32																																																																																								
10	3/8																																																																																								
11	7/16																																																																																								
12	15/32																																																																																								
14	9/16																																																																																								
16	5/8																																																																																								
mm	inch																																																																																								
13	1/2																																																																																								
16	5/8																																																																																								
18	11/16																																																																																								
20	3/4																																																																																								
22	7/8																																																																																								
25	1																																																																																								
28	1-1/8																																																																																								
30	1-3/16																																																																																								
32	1-1/4																																																																																								
35	1-3/8																																																																																								
40	1-9/16																																																																																								
45	1-3/4																																																																																								
50	2																																																																																								
		<p>A RICHIESTA: GUIDE FUORI MISURA ON REQUEST: ALL THE OTHER SIZES</p>																																																																																							

<h2>GO 117 SET</h2>	RIGHT ANGLE BINDER FOR SINGER 457 JUKI LZ 2280	BORDATORE PER SINGER 457 JUKI LZ 2280	BORDEUR DOUBLE REMPLE POUR SINGER 457 JUKI LZ 2280	GUIADOR DOBLE PARA SINGER 457 JUKI LZ 2280																																																																									
 <p>• = GO 117 SET</p>			 <table border="1"> <thead> <tr> <th>mm</th> <th>inch</th> </tr> </thead> <tbody> <tr><td>10</td><td>3/8</td></tr> <tr><td>12</td><td>1/2</td></tr> <tr><td>14</td><td>9/16</td></tr> <tr><td>16</td><td>5/8</td></tr> <tr><td>18</td><td>11/16</td></tr> <tr><td>20</td><td>3/4</td></tr> <tr><td>22</td><td>7/8</td></tr> <tr><td>25</td><td>1</td></tr> <tr><td>28</td><td>1-1/8</td></tr> <tr><td>30</td><td>1-3/16</td></tr> <tr><td>35</td><td>1-3/8</td></tr> </tbody> </table>	mm	inch	10	3/8	12	1/2	14	9/16	16	5/8	18	11/16	20	3/4	22	7/8	25	1	28	1-1/8	30	1-3/16	35	1-3/8	 <table border="1"> <thead> <tr> <th>mm</th> <th>inch</th> </tr> </thead> <tbody> <tr><td>5</td><td>3/16</td></tr> <tr><td>6</td><td>1/4</td></tr> <tr><td>7</td><td>9/32</td></tr> <tr><td>8</td><td>5/16</td></tr> <tr><td>9</td><td>11/32</td></tr> <tr><td>10</td><td>3/8</td></tr> <tr><td>11</td><td>7/16</td></tr> <tr><td>12,5</td><td>1/2</td></tr> <tr><td>14</td><td>9/16</td></tr> <tr><td>15</td><td>19/32</td></tr> <tr><td>17,5</td><td>11/16</td></tr> </tbody> </table>	mm	inch	5	3/16	6	1/4	7	9/32	8	5/16	9	11/32	10	3/8	11	7/16	12,5	1/2	14	9/16	15	19/32	17,5	11/16	 <table border="1"> <thead> <tr> <th>mm</th> <th>inch</th> </tr> </thead> <tbody> <tr><td>10</td><td>3/8</td></tr> <tr><td>12</td><td>1/2</td></tr> <tr><td>14</td><td>9/16</td></tr> <tr><td>16</td><td>5/8</td></tr> <tr><td>18</td><td>11/16</td></tr> <tr><td>20</td><td>3/4</td></tr> <tr><td>22</td><td>7/8</td></tr> <tr><td>25</td><td>1</td></tr> <tr><td>28</td><td>1-1/8</td></tr> <tr><td>30</td><td>1-3/16</td></tr> <tr><td>35</td><td>1-3/8</td></tr> </tbody> </table>	mm	inch	10	3/8	12	1/2	14	9/16	16	5/8	18	11/16	20	3/4	22	7/8	25	1	28	1-1/8	30	1-3/16	35	1-3/8
mm	inch																																																																												
10	3/8																																																																												
12	1/2																																																																												
14	9/16																																																																												
16	5/8																																																																												
18	11/16																																																																												
20	3/4																																																																												
22	7/8																																																																												
25	1																																																																												
28	1-1/8																																																																												
30	1-3/16																																																																												
35	1-3/8																																																																												
mm	inch																																																																												
5	3/16																																																																												
6	1/4																																																																												
7	9/32																																																																												
8	5/16																																																																												
9	11/32																																																																												
10	3/8																																																																												
11	7/16																																																																												
12,5	1/2																																																																												
14	9/16																																																																												
15	19/32																																																																												
17,5	11/16																																																																												
mm	inch																																																																												
10	3/8																																																																												
12	1/2																																																																												
14	9/16																																																																												
16	5/8																																																																												
18	11/16																																																																												
20	3/4																																																																												
22	7/8																																																																												
25	1																																																																												
28	1-1/8																																																																												
30	1-3/16																																																																												
35	1-3/8																																																																												
		<p>A RICHIESTA: GUIDE FUORI MISURA ON REQUEST: ALL THE OTHER SIZES</p>																																																																											

GO 118 SET	RIGHT ANGLE BINDER FOR DURKOPP 271	BORDATORE PER DURKOPP 271 RASAFILO	BORDEUR DOUBLE REMPLE POUR DURKOPP 271 COUPE-FIL	GUIADOR DOBLE PARA DURKOPP 271
-------------------	--	--	---	--------------------------------------

<p>• = GO 118 SET</p> <p>• CF 465</p> <p>• CF 463/S</p> <p>• CF 271</p> <p>• GO 150</p> <p>• CF A2014</p>					<table border="1"> <thead> <tr> <th>mm</th> <th>inch</th> <th>mm</th> <th>inch</th> <th></th> <th></th> </tr> </thead> <tbody> <tr> <td>13</td> <td>1/2</td> <td>3,5</td> <td>1/8</td> <td></td> <td>CF 465/0</td> </tr> <tr> <td>16</td> <td>5/8</td> <td>4</td> <td>5/32</td> <td>M</td> <td>CF 465/0</td> </tr> <tr> <td>18</td> <td>11/16</td> <td>4,5</td> <td>11/64</td> <td>M</td> <td>CF 465/0</td> </tr> <tr> <td>20</td> <td>3/4</td> <td>5</td> <td>3/16</td> <td>M and H</td> <td>CF 465/1</td> </tr> <tr> <td>22</td> <td>7/8</td> <td>6</td> <td>1/4</td> <td>M and H</td> <td>CF 465/1</td> </tr> <tr> <td>25</td> <td>1</td> <td>7</td> <td>9/32</td> <td>M and H</td> <td>CF 465/1</td> </tr> <tr> <td>28</td> <td>1 - 1/8</td> <td>8</td> <td>5/16</td> <td>M and H</td> <td>CF 465/2</td> </tr> <tr> <td>30</td> <td>1 - 3/16</td> <td>9</td> <td>11/32</td> <td>M and H</td> <td>CF 465/3</td> </tr> <tr> <td>32</td> <td>1 - 1/4</td> <td>10</td> <td>3/8</td> <td>M and H</td> <td>CF 465/3</td> </tr> <tr> <td>35</td> <td>1 - 3/8</td> <td>11</td> <td>7/16</td> <td>M and H</td> <td>CF 465/4</td> </tr> <tr> <td>40</td> <td>1 - 9/16</td> <td>12</td> <td>15/32</td> <td>M and H</td> <td>CF 465/5</td> </tr> <tr> <td>45</td> <td>1 - 3/4</td> <td>14</td> <td>9/16</td> <td>M and H</td> <td>CF 465/5</td> </tr> <tr> <td>50</td> <td>2</td> <td>16</td> <td>5/8</td> <td>M</td> <td>CF 465/5</td> </tr> </tbody> </table>	mm	inch	mm	inch			13	1/2	3,5	1/8		CF 465/0	16	5/8	4	5/32	M	CF 465/0	18	11/16	4,5	11/64	M	CF 465/0	20	3/4	5	3/16	M and H	CF 465/1	22	7/8	6	1/4	M and H	CF 465/1	25	1	7	9/32	M and H	CF 465/1	28	1 - 1/8	8	5/16	M and H	CF 465/2	30	1 - 3/16	9	11/32	M and H	CF 465/3	32	1 - 1/4	10	3/8	M and H	CF 465/3	35	1 - 3/8	11	7/16	M and H	CF 465/4	40	1 - 9/16	12	15/32	M and H	CF 465/5	45	1 - 3/4	14	9/16	M and H	CF 465/5	50	2	16	5/8	M	CF 465/5
					mm	inch	mm	inch																																																																																	
13	1/2	3,5	1/8		CF 465/0																																																																																				
16	5/8	4	5/32	M	CF 465/0																																																																																				
18	11/16	4,5	11/64	M	CF 465/0																																																																																				
20	3/4	5	3/16	M and H	CF 465/1																																																																																				
22	7/8	6	1/4	M and H	CF 465/1																																																																																				
25	1	7	9/32	M and H	CF 465/1																																																																																				
28	1 - 1/8	8	5/16	M and H	CF 465/2																																																																																				
30	1 - 3/16	9	11/32	M and H	CF 465/3																																																																																				
32	1 - 1/4	10	3/8	M and H	CF 465/3																																																																																				
35	1 - 3/8	11	7/16	M and H	CF 465/4																																																																																				
40	1 - 9/16	12	15/32	M and H	CF 465/5																																																																																				
45	1 - 3/4	14	9/16	M and H	CF 465/5																																																																																				
50	2	16	5/8	M	CF 465/5																																																																																				
<p>A RICHIESTA: GUIDE FUORI MISURA ON REQUEST: ALL THE OTHER SIZES</p>																																																																																									

		<p>A RICHIESTA: GUIDE FUORI MISURA ON REQUEST: ALL THE OTHER SIZES</p>		
--	--	---	--	--

GO 119 SET	RAW EDGE TAPE BINDER FOR DURKOPP 271	BORDATORE PER DURKOPP 271 RASAFILO	BORDEUR SIMPLE REMPLE POUR DURKOPP 271 COUPE-FIL	GUIADOR SIMPLE PARA DURKOPP 271
-------------------	--	--	---	---------------------------------------

<p>• = GO 119 SET</p> <p>• CF 465</p> <p>• CF 463/S</p> <p>• CF 271</p> <p>• GO 152</p> <p>• CF A2014</p>					<table border="1"> <thead> <tr> <th>mm</th> <th>inch</th> <th>mm</th> <th>inch</th> <th></th> <th></th> </tr> </thead> <tbody> <tr> <td>10</td> <td>3/8</td> <td>5</td> <td>3/16</td> <td></td> <td>CF 465/1</td> </tr> <tr> <td>12</td> <td>1/2</td> <td>6</td> <td>1/4</td> <td>M</td> <td>CF 465/1</td> </tr> <tr> <td>14</td> <td>9/16</td> <td>7</td> <td>9/32</td> <td>M</td> <td>CF 465/1</td> </tr> <tr> <td>16</td> <td>5/8</td> <td>8</td> <td>5/16</td> <td>M</td> <td>CF 465/2</td> </tr> <tr> <td>18</td> <td>11/16</td> <td>9</td> <td>11/32</td> <td>M</td> <td>CF 465/3</td> </tr> <tr> <td>20</td> <td>3/4</td> <td>10</td> <td>3/8</td> <td>M - H</td> <td>CF 465/3</td> </tr> <tr> <td>22</td> <td>7/8</td> <td>11</td> <td>7/16</td> <td>M</td> <td>CF 465/4</td> </tr> <tr> <td>25</td> <td>1</td> <td>12,5</td> <td>1/2</td> <td>M - H</td> <td>CF 465/5</td> </tr> <tr> <td>28</td> <td>1 - 1/8</td> <td>14</td> <td>9/16</td> <td>M</td> <td>CF 465/5</td> </tr> <tr> <td>30</td> <td>1 - 3/16</td> <td>15</td> <td>19/32</td> <td>M - H</td> <td>CF 465/5</td> </tr> <tr> <td>35</td> <td>1 - 3/8</td> <td>17,5</td> <td>11/16</td> <td>M - H</td> <td>CF 465/5</td> </tr> </tbody> </table>	mm	inch	mm	inch			10	3/8	5	3/16		CF 465/1	12	1/2	6	1/4	M	CF 465/1	14	9/16	7	9/32	M	CF 465/1	16	5/8	8	5/16	M	CF 465/2	18	11/16	9	11/32	M	CF 465/3	20	3/4	10	3/8	M - H	CF 465/3	22	7/8	11	7/16	M	CF 465/4	25	1	12,5	1/2	M - H	CF 465/5	28	1 - 1/8	14	9/16	M	CF 465/5	30	1 - 3/16	15	19/32	M - H	CF 465/5	35	1 - 3/8	17,5	11/16	M - H	CF 465/5
					mm	inch	mm	inch																																																																					
10	3/8	5	3/16		CF 465/1																																																																								
12	1/2	6	1/4	M	CF 465/1																																																																								
14	9/16	7	9/32	M	CF 465/1																																																																								
16	5/8	8	5/16	M	CF 465/2																																																																								
18	11/16	9	11/32	M	CF 465/3																																																																								
20	3/4	10	3/8	M - H	CF 465/3																																																																								
22	7/8	11	7/16	M	CF 465/4																																																																								
25	1	12,5	1/2	M - H	CF 465/5																																																																								
28	1 - 1/8	14	9/16	M	CF 465/5																																																																								
30	1 - 3/16	15	19/32	M - H	CF 465/5																																																																								
35	1 - 3/8	17,5	11/16	M - H	CF 465/5																																																																								
<p>A RICHIESTA: GUIDE FUORI MISURA ON REQUEST: ALL THE OTHER SIZES</p>																																																																													

		<p>A RICHIESTA: GUIDE FUORI MISURA ON REQUEST: ALL THE OTHER SIZES</p>		
--	--	---	--	--

GO 120 SET	RIGHT ANGLE BINDER FOR BROTHER 737, 755, 7100, 7200	BORDATORE PER BROTHER 737, 755 RASAFILO	BORDEUR DOUBLE REMPLE POUR BROTHER 737, 755 COUPE-FIL	GUIADOR DOBLE PARA BROTHER 737, 755

<p>• = GO 120 SET</p>	<p>• CF A2014</p>																																																																																																																																																																								
			<table border="1"> <thead> <tr> <th>mm</th> <th>inch</th> <th>mm</th> <th>inch</th> <th></th> <th></th> </tr> </thead> <tbody> <tr><td>13</td><td>1/2</td><td>3,5</td><td>1/8</td><td></td><td>M</td></tr> <tr><td>16</td><td>5/8</td><td>4</td><td>5/32</td><td></td><td>M</td></tr> <tr><td>18</td><td>11/16</td><td>4,5</td><td>11/64</td><td></td><td>M</td></tr> <tr><td>20</td><td>3/4</td><td>5</td><td>3/16</td><td>M and H</td><td>CF 465/1</td></tr> <tr><td>22</td><td>7/8</td><td>6</td><td>1/4</td><td>M and H</td><td>CF 465/1</td></tr> <tr><td>25</td><td>1</td><td>7</td><td>9/32</td><td>M and H</td><td>CF 465/1</td></tr> <tr><td>28</td><td>1 - 1/8</td><td>8</td><td>5/16</td><td>M and H</td><td>CF 465/2</td></tr> <tr><td>30</td><td>1 - 3/16</td><td>9</td><td>11/32</td><td>M and H</td><td>CF 465/3</td></tr> <tr><td>32</td><td>1 - 1/4</td><td>10</td><td>3/8</td><td>M and H</td><td>CF 465/3</td></tr> <tr><td>35</td><td>1 - 3/8</td><td>11</td><td>7/16</td><td>M and H</td><td>CF 465/4</td></tr> <tr><td>40</td><td>1 - 9/16</td><td>12</td><td>15/32</td><td>M and H</td><td>CF 465/5</td></tr> <tr><td>45</td><td>1 - 3/4</td><td>14</td><td>9/16</td><td>M and H</td><td>CF 465/5</td></tr> <tr><td>50</td><td>2</td><td>16</td><td>5/8</td><td>M</td><td>CF 465/5</td></tr> </tbody> </table>	mm	inch	mm	inch			13	1/2	3,5	1/8		M	16	5/8	4	5/32		M	18	11/16	4,5	11/64		M	20	3/4	5	3/16	M and H	CF 465/1	22	7/8	6	1/4	M and H	CF 465/1	25	1	7	9/32	M and H	CF 465/1	28	1 - 1/8	8	5/16	M and H	CF 465/2	30	1 - 3/16	9	11/32	M and H	CF 465/3	32	1 - 1/4	10	3/8	M and H	CF 465/3	35	1 - 3/8	11	7/16	M and H	CF 465/4	40	1 - 9/16	12	15/32	M and H	CF 465/5	45	1 - 3/4	14	9/16	M and H	CF 465/5	50	2	16	5/8	M	CF 465/5	<table border="1"> <thead> <tr> <th>mm</th> <th>inch</th> <th>mm</th> <th>inch</th> <th></th> <th></th> </tr> </thead> <tbody> <tr><td>13</td><td>1/2</td><td>3,5</td><td>1/8</td><td></td><td>M</td></tr> <tr><td>16</td><td>5/8</td><td>4</td><td>5/32</td><td></td><td>M</td></tr> <tr><td>18</td><td>11/16</td><td>4,5</td><td>11/64</td><td></td><td>M</td></tr> <tr><td>20</td><td>3/4</td><td>5</td><td>3/16</td><td>M and H</td><td>CF 465/1</td></tr> <tr><td>22</td><td>7/8</td><td>6</td><td>1/4</td><td>M and H</td><td>CF 465/1</td></tr> <tr><td>25</td><td>1</td><td>7</td><td>9/32</td><td>M and H</td><td>CF 465/1</td></tr> <tr><td>28</td><td>1 - 1/8</td><td>8</td><td>5/16</td><td>M and H</td><td>CF 465/2</td></tr> <tr><td>30</td><td>1 - 3/16</td><td>9</td><td>11/32</td><td>M and H</td><td>CF 465/3</td></tr> <tr><td>32</td><td>1 - 1/4</td><td>10</td><td>3/8</td><td>M and H</td><td>CF 465/3</td></tr> <tr><td>35</td><td>1 - 3/8</td><td>11</td><td>7/16</td><td>M and H</td><td>CF 465/4</td></tr> <tr><td>40</td><td>1 - 9/16</td><td>12</td><td>15/32</td><td>M and H</td><td>CF 465/5</td></tr> <tr><td>45</td><td>1 - 3/4</td><td>14</td><td>9/16</td><td>M and H</td><td>CF 465/5</td></tr> <tr><td>50</td><td>2</td><td>16</td><td>5/8</td><td>M</td><td>CF 465/5</td></tr> </tbody> </table>	mm	inch	mm	inch			13	1/2	3,5	1/8		M	16	5/8	4	5/32		M	18	11/16	4,5	11/64		M	20	3/4	5	3/16	M and H	CF 465/1	22	7/8	6	1/4	M and H	CF 465/1	25	1	7	9/32	M and H	CF 465/1	28	1 - 1/8	8	5/16	M and H	CF 465/2	30	1 - 3/16	9	11/32	M and H	CF 465/3	32	1 - 1/4	10	3/8	M and H	CF 465/3	35	1 - 3/8	11	7/16	M and H	CF 465/4	40	1 - 9/16	12	15/32	M and H	CF 465/5	45	1 - 3/4	14	9/16	M and H	CF 465/5	50	2	16
mm	inch	mm	inch																																																																																																																																																																						
13	1/2	3,5	1/8		M																																																																																																																																																																				
16	5/8	4	5/32		M																																																																																																																																																																				
18	11/16	4,5	11/64		M																																																																																																																																																																				
20	3/4	5	3/16	M and H	CF 465/1																																																																																																																																																																				
22	7/8	6	1/4	M and H	CF 465/1																																																																																																																																																																				
25	1	7	9/32	M and H	CF 465/1																																																																																																																																																																				
28	1 - 1/8	8	5/16	M and H	CF 465/2																																																																																																																																																																				
30	1 - 3/16	9	11/32	M and H	CF 465/3																																																																																																																																																																				
32	1 - 1/4	10	3/8	M and H	CF 465/3																																																																																																																																																																				
35	1 - 3/8	11	7/16	M and H	CF 465/4																																																																																																																																																																				
40	1 - 9/16	12	15/32	M and H	CF 465/5																																																																																																																																																																				
45	1 - 3/4	14	9/16	M and H	CF 465/5																																																																																																																																																																				
50	2	16	5/8	M	CF 465/5																																																																																																																																																																				
mm	inch	mm	inch																																																																																																																																																																						
13	1/2	3,5	1/8		M																																																																																																																																																																				
16	5/8	4	5/32		M																																																																																																																																																																				
18	11/16	4,5	11/64		M																																																																																																																																																																				
20	3/4	5	3/16	M and H	CF 465/1																																																																																																																																																																				
22	7/8	6	1/4	M and H	CF 465/1																																																																																																																																																																				
25	1	7	9/32	M and H	CF 465/1																																																																																																																																																																				
28	1 - 1/8	8	5/16	M and H	CF 465/2																																																																																																																																																																				
30	1 - 3/16	9	11/32	M and H	CF 465/3																																																																																																																																																																				
32	1 - 1/4	10	3/8	M and H	CF 465/3																																																																																																																																																																				
35	1 - 3/8	11	7/16	M and H	CF 465/4																																																																																																																																																																				
40	1 - 9/16	12	15/32	M and H	CF 465/5																																																																																																																																																																				
45	1 - 3/4	14	9/16	M and H	CF 465/5																																																																																																																																																																				
50	2	16	5/8	M	CF 465/5																																																																																																																																																																				

		<p>A RICHIESTA: GUIDE FUORI MISURA ON REQUEST: ALL THE OTHER SIZES</p>
--	--	---

GO 121 SET	RAW EDGE TAPE BINDER FOR BROTHER 737, 755 7100, 7200	BORDATORE PER BROTHER 737, 755 RASAFILO	BORDEUR SIMPLE REMPLE POUR BROTHER 737, 755 COUPE-FIL	GUIADOR SIMPLE PARA BROTHER 737, 755

<p>• = GO 121 SET</p>	<p>• CF A2014</p>																																																																																																																																																
			<table border="1"> <thead> <tr> <th>mm</th> <th>inch</th> <th>mm</th> <th>inch</th> <th></th> <th></th> </tr> </thead> <tbody> <tr><td>10</td><td>3/8</td><td>5</td><td>3/16</td><td></td><td>M</td></tr> <tr><td>12</td><td>1/2</td><td>6</td><td>1/4</td><td></td><td>M</td></tr> <tr><td>14</td><td>9/16</td><td>7</td><td>9/32</td><td></td><td>M</td></tr> <tr><td>16</td><td>5/8</td><td>8</td><td>5/16</td><td></td><td>M</td></tr> <tr><td>18</td><td>11/16</td><td>9</td><td>11/32</td><td></td><td>M</td></tr> <tr><td>20</td><td>3/4</td><td>10</td><td>3/8</td><td>M - H</td><td>CF 465/3</td></tr> <tr><td>22</td><td>7/8</td><td>11</td><td>7/16</td><td></td><td>M</td></tr> <tr><td>25</td><td>1</td><td>12,5</td><td>1/2</td><td>M - H</td><td>CF 465/5</td></tr> <tr><td>28</td><td>1 - 1/8</td><td>14</td><td>9/16</td><td></td><td>M</td></tr> <tr><td>30</td><td>1 - 3/16</td><td>15</td><td>19/32</td><td>M - H</td><td>CF 465/5</td></tr> <tr><td>35</td><td>1 - 3/8</td><td>17,5</td><td>11/16</td><td>M - H</td><td>CF 465/5</td></tr> </tbody> </table>	mm	inch	mm	inch			10	3/8	5	3/16		M	12	1/2	6	1/4		M	14	9/16	7	9/32		M	16	5/8	8	5/16		M	18	11/16	9	11/32		M	20	3/4	10	3/8	M - H	CF 465/3	22	7/8	11	7/16		M	25	1	12,5	1/2	M - H	CF 465/5	28	1 - 1/8	14	9/16		M	30	1 - 3/16	15	19/32	M - H	CF 465/5	35	1 - 3/8	17,5	11/16	M - H	CF 465/5	<table border="1"> <thead> <tr> <th>mm</th> <th>inch</th> <th>mm</th> <th>inch</th> <th></th> <th></th> </tr> </thead> <tbody> <tr><td>10</td><td>3/8</td><td>5</td><td>3/16</td><td></td><td>M</td></tr> <tr><td>12</td><td>1/2</td><td>6</td><td>1/4</td><td></td><td>M</td></tr> <tr><td>14</td><td>9/16</td><td>7</td><td>9/32</td><td></td><td>M</td></tr> <tr><td>16</td><td>5/8</td><td>8</td><td>5/16</td><td></td><td>M</td></tr> <tr><td>18</td><td>11/16</td><td>9</td><td>11/32</td><td></td><td>M</td></tr> <tr><td>20</td><td>3/4</td><td>10</td><td>3/8</td><td>M - H</td><td>CF 465/3</td></tr> <tr><td>22</td><td>7/8</td><td>11</td><td>7/16</td><td></td><td>M</td></tr> <tr><td>25</td><td>1</td><td>12,5</td><td>1/2</td><td>M - H</td><td>CF 465/5</td></tr> <tr><td>28</td><td>1 - 1/8</td><td>14</td><td>9/16</td><td></td><td>M</td></tr> <tr><td>30</td><td>1 - 3/16</td><td>15</td><td>19/32</td><td>M - H</td><td>CF 465/5</td></tr> <tr><td>35</td><td>1 - 3/8</td><td>17,5</td><td>11/16</td><td>M - H</td><td>CF 465/5</td></tr> </tbody> </table>	mm	inch	mm	inch			10	3/8	5	3/16		M	12	1/2	6	1/4		M	14	9/16	7	9/32		M	16	5/8	8	5/16		M	18	11/16	9	11/32		M	20	3/4	10	3/8	M - H	CF 465/3	22	7/8	11	7/16		M	25	1	12,5	1/2	M - H	CF 465/5	28	1 - 1/8	14	9/16		M	30	1 - 3/16	15	19/32	M - H	CF 465/5	35	1 - 3/8	17,5
mm	inch	mm	inch																																																																																																																																														
10	3/8	5	3/16		M																																																																																																																																												
12	1/2	6	1/4		M																																																																																																																																												
14	9/16	7	9/32		M																																																																																																																																												
16	5/8	8	5/16		M																																																																																																																																												
18	11/16	9	11/32		M																																																																																																																																												
20	3/4	10	3/8	M - H	CF 465/3																																																																																																																																												
22	7/8	11	7/16		M																																																																																																																																												
25	1	12,5	1/2	M - H	CF 465/5																																																																																																																																												
28	1 - 1/8	14	9/16		M																																																																																																																																												
30	1 - 3/16	15	19/32	M - H	CF 465/5																																																																																																																																												
35	1 - 3/8	17,5	11/16	M - H	CF 465/5																																																																																																																																												
mm	inch	mm	inch																																																																																																																																														
10	3/8	5	3/16		M																																																																																																																																												
12	1/2	6	1/4		M																																																																																																																																												
14	9/16	7	9/32		M																																																																																																																																												
16	5/8	8	5/16		M																																																																																																																																												
18	11/16	9	11/32		M																																																																																																																																												
20	3/4	10	3/8	M - H	CF 465/3																																																																																																																																												
22	7/8	11	7/16		M																																																																																																																																												
25	1	12,5	1/2	M - H	CF 465/5																																																																																																																																												
28	1 - 1/8	14	9/16		M																																																																																																																																												
30	1 - 3/16	15	19/32	M - H	CF 465/5																																																																																																																																												
35	1 - 3/8	17,5	11/16	M - H	CF 465/5																																																																																																																																												

		<p>A RICHIESTA: GUIDE FUORI MISURA ON REQUEST: ALL THE OTHER SIZES</p>
--	--	---

GO 122 SET	RIGHT ANGLE BINDER FOR JUKI 5550 AND 9000	BORDATORE PER JUKI 5550 E 9000 RASAFILO	BORDEUR DOUBLE REMPLE POUR JUKI 5550 ET 9000 COUPE-FIL	GUIADOR DOBLE PARA JUKI 5550 Y 9000

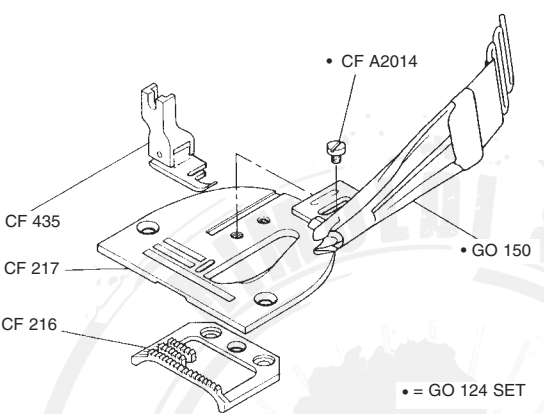
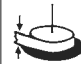

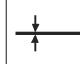
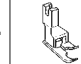
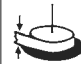

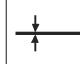
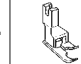
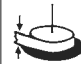

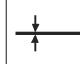
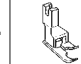

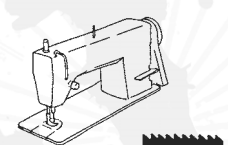
<p>• = GO 122 SET</p>																																																																																						
	<table border="1"> <thead> <tr> <th>mm</th> <th>inch</th> <th>mm</th> <th>inch</th> <th></th> <th></th> </tr> </thead> <tbody> <tr><td>13</td><td>1/2</td><td>3,5</td><td>1/8</td><td></td><td>CF 465/0</td></tr> <tr><td>16</td><td>5/8</td><td>4</td><td>5/32</td><td>M</td><td>CF 465/0</td></tr> <tr><td>18</td><td>11/16</td><td>4,5</td><td>11/64</td><td>M</td><td>CF 465/0</td></tr> <tr><td>20</td><td>3/4</td><td>5</td><td>3/16</td><td>M and H</td><td>CF 465/1</td></tr> <tr><td>22</td><td>7/8</td><td>6</td><td>1/4</td><td>M and H</td><td>CF 465/1</td></tr> <tr><td>25</td><td>1</td><td>7</td><td>9/32</td><td>M and H</td><td>CF 465/1</td></tr> <tr><td>28</td><td>1 - 1/8</td><td>8</td><td>5/16</td><td>M and H</td><td>CF 465/2</td></tr> <tr><td>30</td><td>1 - 3/16</td><td>9</td><td>11/32</td><td>M and H</td><td>CF 465/3</td></tr> <tr><td>32</td><td>1 - 1/4</td><td>10</td><td>3/8</td><td>M and H</td><td>CF 465/3</td></tr> <tr><td>35</td><td>1 - 3/8</td><td>11</td><td>7/16</td><td>M and H</td><td>CF 465/4</td></tr> <tr><td>40</td><td>1 - 9/16</td><td>12</td><td>15/32</td><td>M and H</td><td>CF 465/5</td></tr> <tr><td>45</td><td>1 - 3/4</td><td>14</td><td>9/16</td><td>M and H</td><td>CF 465/5</td></tr> <tr><td>50</td><td>2</td><td>16</td><td>5/8</td><td>M</td><td>CF 465/5</td></tr> </tbody> </table>	mm	inch	mm	inch			13	1/2	3,5	1/8		CF 465/0	16	5/8	4	5/32	M	CF 465/0	18	11/16	4,5	11/64	M	CF 465/0	20	3/4	5	3/16	M and H	CF 465/1	22	7/8	6	1/4	M and H	CF 465/1	25	1	7	9/32	M and H	CF 465/1	28	1 - 1/8	8	5/16	M and H	CF 465/2	30	1 - 3/16	9	11/32	M and H	CF 465/3	32	1 - 1/4	10	3/8	M and H	CF 465/3	35	1 - 3/8	11	7/16	M and H	CF 465/4	40	1 - 9/16	12	15/32	M and H	CF 465/5	45	1 - 3/4	14	9/16	M and H	CF 465/5	50	2	16	5/8	M	CF 465/5	
mm	inch	mm	inch																																																																																			
13	1/2	3,5	1/8		CF 465/0																																																																																	
16	5/8	4	5/32	M	CF 465/0																																																																																	
18	11/16	4,5	11/64	M	CF 465/0																																																																																	
20	3/4	5	3/16	M and H	CF 465/1																																																																																	
22	7/8	6	1/4	M and H	CF 465/1																																																																																	
25	1	7	9/32	M and H	CF 465/1																																																																																	
28	1 - 1/8	8	5/16	M and H	CF 465/2																																																																																	
30	1 - 3/16	9	11/32	M and H	CF 465/3																																																																																	
32	1 - 1/4	10	3/8	M and H	CF 465/3																																																																																	
35	1 - 3/8	11	7/16	M and H	CF 465/4																																																																																	
40	1 - 9/16	12	15/32	M and H	CF 465/5																																																																																	
45	1 - 3/4	14	9/16	M and H	CF 465/5																																																																																	
50	2	16	5/8	M	CF 465/5																																																																																	

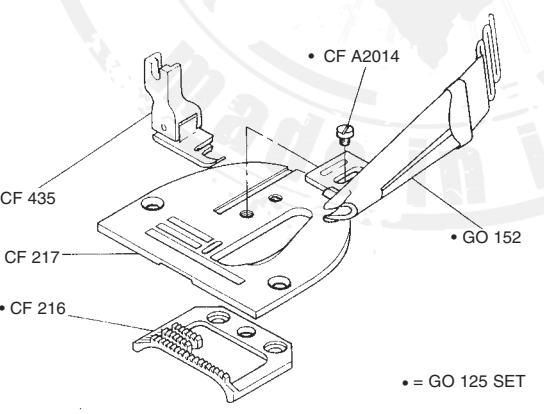
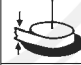
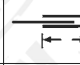
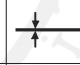
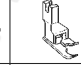
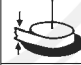
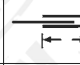
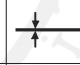
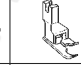
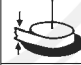
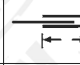
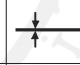
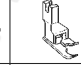
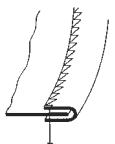
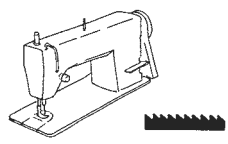
		<p>A RICHIESTA: GUIDE FUORI MISURA ON REQUEST: ALL THE OTHER SIZES</p>
--	--	---

GO 123 SET	RAW EDGE TAPE BINDER FOR JUKI 5550 AND 9000	BORDATORE PER JUKI 5550 E 9000 RASAFILO	BORDEUR DOUBLE REMPLE POUR JUKI 5550 ET 9000 COUPE-FIL	GUIADOR SIMPLE PARA JUKI 5550 Y 9000

<p>• = GO 123 SET</p>																																																																										
	<table border="1"> <thead> <tr> <th>mm</th> <th>inch</th> <th>mm</th> <th>inch</th> <th></th> <th></th> </tr> </thead> <tbody> <tr><td>10</td><td>3/8</td><td>5</td><td>3/16</td><td>M</td><td>CF 465/1</td></tr> <tr><td>12</td><td>1/2</td><td>6</td><td>1/4</td><td>M</td><td>CF 465/1</td></tr> <tr><td>14</td><td>9/16</td><td>7</td><td>9/32</td><td>M</td><td>CF 465/1</td></tr> <tr><td>16</td><td>5/8</td><td>8</td><td>5/16</td><td>M</td><td>CF 465/2</td></tr> <tr><td>18</td><td>11/16</td><td>9</td><td>11/32</td><td>M</td><td>CF 465/3</td></tr> <tr><td>20</td><td>3/4</td><td>10</td><td>3/8</td><td>M - H</td><td>CF 465/3</td></tr> <tr><td>22</td><td>7/8</td><td>11</td><td>7/16</td><td>M</td><td>CF 465/4</td></tr> <tr><td>25</td><td>1</td><td>12,5</td><td>1/2</td><td>M - H</td><td>CF 465/5</td></tr> <tr><td>28</td><td>1 - 1/8</td><td>14</td><td>9/16</td><td>M</td><td>CF 465/5</td></tr> <tr><td>30</td><td>1 - 3/16</td><td>15</td><td>19/32</td><td>M - H</td><td>CF 465/5</td></tr> <tr><td>35</td><td>1 - 3/8</td><td>17,5</td><td>11/16</td><td>M - H</td><td>CF 465/5</td></tr> </tbody> </table>	mm	inch	mm	inch			10	3/8	5	3/16	M	CF 465/1	12	1/2	6	1/4	M	CF 465/1	14	9/16	7	9/32	M	CF 465/1	16	5/8	8	5/16	M	CF 465/2	18	11/16	9	11/32	M	CF 465/3	20	3/4	10	3/8	M - H	CF 465/3	22	7/8	11	7/16	M	CF 465/4	25	1	12,5	1/2	M - H	CF 465/5	28	1 - 1/8	14	9/16	M	CF 465/5	30	1 - 3/16	15	19/32	M - H	CF 465/5	35	1 - 3/8	17,5	11/16	M - H	CF 465/5	
mm	inch	mm	inch																																																																							
10	3/8	5	3/16	M	CF 465/1																																																																					
12	1/2	6	1/4	M	CF 465/1																																																																					
14	9/16	7	9/32	M	CF 465/1																																																																					
16	5/8	8	5/16	M	CF 465/2																																																																					
18	11/16	9	11/32	M	CF 465/3																																																																					
20	3/4	10	3/8	M - H	CF 465/3																																																																					
22	7/8	11	7/16	M	CF 465/4																																																																					
25	1	12,5	1/2	M - H	CF 465/5																																																																					
28	1 - 1/8	14	9/16	M	CF 465/5																																																																					
30	1 - 3/16	15	19/32	M - H	CF 465/5																																																																					
35	1 - 3/8	17,5	11/16	M - H	CF 465/5																																																																					

		<p>A RICHIESTA: GUIDE FUORI MISURA ON REQUEST: ALL THE OTHER SIZES</p>
--	--	---

GO 124 SET	RIGHT ANGLE BINDER FOR BERNINA 217	BORDATORE PER BERNINA 217 RASAFILO	BORDEUR DOUBLE REMPLEI POUR BERNINA 217 COUPE-FIL	GUIADOR DOBLE PARA BERNINA 217																																								
 <p style="text-align: center;">• = GO 124 SET</p>				<table border="1" style="width:100%; border-collapse: collapse;"> <tr> <td style="text-align: center;"></td> <td style="text-align: center;"></td> <td style="text-align: center;"></td> <td style="text-align: center;"></td> </tr> <tr> <td style="text-align: center;">mm inch</td> <td style="text-align: center;">mm inch</td> <td style="text-align: center;">mm inch</td> <td style="text-align: center;">mm inch</td> </tr> <tr> <td style="text-align: center;">13 1/2</td> <td style="text-align: center;">3,5 1/8</td> <td style="text-align: center;">4 5/32</td> <td style="text-align: center;">M</td> </tr> <tr> <td style="text-align: center;">16 5/8</td> <td style="text-align: center;">4 5/32</td> <td style="text-align: center;">5 3/16</td> <td style="text-align: center;">M</td> </tr> <tr> <td style="text-align: center;">18 11/16</td> <td style="text-align: center;">4,5 11/64</td> <td style="text-align: center;">6 1/4</td> <td style="text-align: center;">M</td> </tr> <tr> <td style="text-align: center;">20 3/4</td> <td style="text-align: center;">5 3/16</td> <td style="text-align: center;">7 9/32</td> <td style="text-align: center;">M</td> </tr> <tr> <td style="text-align: center;">22 7/8</td> <td style="text-align: center;">6 1/4</td> <td style="text-align: center;">8 5/16</td> <td style="text-align: center;">M</td> </tr> <tr> <td style="text-align: center;">25 1</td> <td style="text-align: center;">7 9/32</td> <td style="text-align: center;">9 11/32</td> <td style="text-align: center;">M</td> </tr> <tr> <td style="text-align: center;">28 1 - 1/8</td> <td style="text-align: center;">8 5/16</td> <td style="text-align: center;">9 11/32</td> <td style="text-align: center;">M</td> </tr> <tr> <td style="text-align: center;">30 1 - 3/16</td> <td style="text-align: center;">9 11/32</td> <td style="text-align: center;"></td> <td style="text-align: center;">M</td> </tr> </table>					mm inch	mm inch	mm inch	mm inch	13 1/2	3,5 1/8	4 5/32	M	16 5/8	4 5/32	5 3/16	M	18 11/16	4,5 11/64	6 1/4	M	20 3/4	5 3/16	7 9/32	M	22 7/8	6 1/4	8 5/16	M	25 1	7 9/32	9 11/32	M	28 1 - 1/8	8 5/16	9 11/32	M	30 1 - 3/16	9 11/32		M
																																												
mm inch	mm inch	mm inch	mm inch																																									
13 1/2	3,5 1/8	4 5/32	M																																									
16 5/8	4 5/32	5 3/16	M																																									
18 11/16	4,5 11/64	6 1/4	M																																									
20 3/4	5 3/16	7 9/32	M																																									
22 7/8	6 1/4	8 5/16	M																																									
25 1	7 9/32	9 11/32	M																																									
28 1 - 1/8	8 5/16	9 11/32	M																																									
30 1 - 3/16	9 11/32		M																																									
				<p>A RICHIESTA: GUIDE FUORI MISURA ON REQUEST: ALL THE OTHER SIZES</p>																																								

GO 125 SET	RAW EDGE TAPE BINDER FOR BERNINA 217	BORDATORE PER BERNINA 217 RASAFILO	BORDEUR DOUBLE REMPLEI POUR BERNINA 217 COUPE-FIL	GUIADOR SIMPLE PARA BERNINA 217																												
 <p style="text-align: center;">• = GO 125 SET</p>				<table border="1" style="width:100%; border-collapse: collapse;"> <tr> <td style="text-align: center;"></td> <td style="text-align: center;"></td> <td style="text-align: center;"></td> <td style="text-align: center;"></td> </tr> <tr> <td style="text-align: center;">mm inch</td> <td style="text-align: center;">mm inch</td> <td style="text-align: center;">mm inch</td> <td style="text-align: center;">mm inch</td> </tr> <tr> <td style="text-align: center;">12 1/2</td> <td style="text-align: center;">6 1/4</td> <td style="text-align: center;">7 9/32</td> <td style="text-align: center;">M</td> </tr> <tr> <td style="text-align: center;">14 9/16</td> <td style="text-align: center;">7 9/32</td> <td style="text-align: center;">8 5/16</td> <td style="text-align: center;">M</td> </tr> <tr> <td style="text-align: center;">16 5/8</td> <td style="text-align: center;">8 5/16</td> <td style="text-align: center;">9 11/32</td> <td style="text-align: center;">M</td> </tr> <tr> <td style="text-align: center;">18 11/16</td> <td style="text-align: center;">9 11/32</td> <td style="text-align: center;">10 3/8</td> <td style="text-align: center;">M</td> </tr> <tr> <td style="text-align: center;">20 3/4</td> <td style="text-align: center;">10 3/8</td> <td style="text-align: center;"></td> <td style="text-align: center;">M</td> </tr> </table>					mm inch	mm inch	mm inch	mm inch	12 1/2	6 1/4	7 9/32	M	14 9/16	7 9/32	8 5/16	M	16 5/8	8 5/16	9 11/32	M	18 11/16	9 11/32	10 3/8	M	20 3/4	10 3/8		M
																																
mm inch	mm inch	mm inch	mm inch																													
12 1/2	6 1/4	7 9/32	M																													
14 9/16	7 9/32	8 5/16	M																													
16 5/8	8 5/16	9 11/32	M																													
18 11/16	9 11/32	10 3/8	M																													
20 3/4	10 3/8		M																													
				<p>A RICHIESTA: GUIDE FUORI MISURA ON REQUEST: ALL THE OTHER SIZES</p>																												

GO 126 SET	RIGHT ANGLE BINDER FOR PFAFF 467 AND RIMOLDI 140	BORDATORE PER PFAFF 467 E RIMOLDI 140	BORDEUR DOUBLE REMPLEI POUR PFAFF 467 E RIMOLDI 140	GUIADOR DOBLE PARA PFAFF 467 Y RIMOLDI 140
-------------------	---	---	--	--

mm inch	mm inch		
19 3/4	5 3/16		M
22 7/8	6 1/4		M
25 1	7 9/32		M
30 1 - 1/16	9 11/32		M
32 1 - 1/4	10 3/8		M
35 1 - 3/8	11 7/16		M
40 1 - 9/16	12 1/2		M
45 1 - 3/4	14 9/16		M

**A RICHIESTA:
GUIDE FUORI MISURA
ON REQUEST:
ALL THE OTHER SIZES**

GO 127 SET	RAW EDGE TAPE BINDER FOR PFAFF 467 AND RIMOLDI 140	BORDATORE PER PFAFF 467 E RIMOLDI 140	BORDEUR DOUBLE REMPLEI POUR PFAFF 467 ET RIMOLDI 140	GUIADOR SIMPLE PARA PFAFF 467 Y RIMOLDI 140
-------------------	---	---	---	---

mm inch	mm inch		
14 9/16	7 9/32		M
16 5/8	8 5/16		M
18 11/16	9 11/32		M
20 3/4	10 3/8		M
22 7/8	11 7/16		M
25 1	12.5 1/2		M

**A RICHIESTA:
GUIDE FUORI MISURA
ON REQUEST:
ALL THE OTHER SIZES**

<h2>GO 128 SET</h2>	RIGHT ANGLE BINDER FOR PFAFF 463-900	BORDATORE PER PFAFF 463-900	BORDEUR DOUBLE REMPLI POUR PFAFF 463-900	GUIADOR DOBLE PARA PFAFF 463-900																																																																																																																																																																								
	<table border="1"> <thead> <tr> <th>mm</th> <th>inch</th> <th>mm</th> <th>inch</th> </tr> </thead> <tbody> <tr><td>13</td><td>1/2</td><td>3,5</td><td>1/8</td></tr> <tr><td>16</td><td>5/8</td><td>4</td><td>5/32</td></tr> <tr><td>18</td><td>11/16</td><td>4,5</td><td>11/64</td></tr> <tr><td>20</td><td>3/4</td><td>5</td><td>3/16</td></tr> <tr><td>22</td><td>7/8</td><td>6</td><td>1/4</td></tr> <tr><td>25</td><td>1</td><td>7</td><td>9/32</td></tr> <tr><td>28</td><td>1 - 1/8</td><td>8</td><td>5/16</td></tr> <tr><td>30</td><td>1 - 3/16</td><td>9</td><td>11/32</td></tr> <tr><td>32</td><td>1 - 1/4</td><td>10</td><td>3/8</td></tr> <tr><td>35</td><td>1 - 3/8</td><td>11</td><td>7/16</td></tr> <tr><td>40</td><td>1 - 9/16</td><td>12</td><td>15/32</td></tr> <tr><td>45</td><td>1 - 3/4</td><td>14</td><td>9/16</td></tr> <tr><td>50</td><td>2</td><td>16</td><td>5/8</td></tr> </tbody> </table>	mm	inch	mm	inch	13	1/2	3,5	1/8	16	5/8	4	5/32	18	11/16	4,5	11/64	20	3/4	5	3/16	22	7/8	6	1/4	25	1	7	9/32	28	1 - 1/8	8	5/16	30	1 - 3/16	9	11/32	32	1 - 1/4	10	3/8	35	1 - 3/8	11	7/16	40	1 - 9/16	12	15/32	45	1 - 3/4	14	9/16	50	2	16	5/8	<table border="1"> <thead> <tr> <th>mm</th> <th>inch</th> </tr> </thead> <tbody> <tr><td>13</td><td>1/2</td></tr> <tr><td>16</td><td>5/8</td></tr> <tr><td>18</td><td>11/16</td></tr> <tr><td>20</td><td>3/4</td></tr> <tr><td>22</td><td>7/8</td></tr> <tr><td>25</td><td>1</td></tr> <tr><td>28</td><td>1 - 1/8</td></tr> <tr><td>30</td><td>1 - 3/16</td></tr> <tr><td>32</td><td>1 - 1/4</td></tr> <tr><td>35</td><td>1 - 3/8</td></tr> <tr><td>40</td><td>1 - 9/16</td></tr> <tr><td>45</td><td>1 - 3/4</td></tr> <tr><td>50</td><td>2</td></tr> </tbody> </table>	mm	inch	13	1/2	16	5/8	18	11/16	20	3/4	22	7/8	25	1	28	1 - 1/8	30	1 - 3/16	32	1 - 1/4	35	1 - 3/8	40	1 - 9/16	45	1 - 3/4	50	2	<table border="1"> <thead> <tr> <th>mm</th> <th>inch</th> <th>CF Model</th> </tr> </thead> <tbody> <tr><td>13</td><td>1/2</td><td>CF 465/0</td></tr> <tr><td>16</td><td>5/8</td><td>CF 465/0</td></tr> <tr><td>18</td><td>11/16</td><td>CF 465/0</td></tr> <tr><td>20</td><td>3/4</td><td>M and H</td></tr> <tr><td>22</td><td>7/8</td><td>M and H</td></tr> <tr><td>25</td><td>1</td><td>M and H</td></tr> <tr><td>28</td><td>1 - 1/8</td><td>M and H</td></tr> <tr><td>30</td><td>1 - 3/16</td><td>M and H</td></tr> <tr><td>32</td><td>1 - 1/4</td><td>M and H</td></tr> <tr><td>35</td><td>1 - 3/8</td><td>M and H</td></tr> <tr><td>40</td><td>1 - 9/16</td><td>M and H</td></tr> <tr><td>45</td><td>1 - 3/4</td><td>M and H</td></tr> <tr><td>50</td><td>2</td><td>M</td></tr> </tbody> </table>	mm	inch	CF Model	13	1/2	CF 465/0	16	5/8	CF 465/0	18	11/16	CF 465/0	20	3/4	M and H	22	7/8	M and H	25	1	M and H	28	1 - 1/8	M and H	30	1 - 3/16	M and H	32	1 - 1/4	M and H	35	1 - 3/8	M and H	40	1 - 9/16	M and H	45	1 - 3/4	M and H	50	2	M	<table border="1"> <thead> <tr> <th>mm</th> <th>inch</th> <th>CF Model</th> </tr> </thead> <tbody> <tr><td>13</td><td>1/2</td><td>CF 465/0</td></tr> <tr><td>16</td><td>5/8</td><td>CF 465/0</td></tr> <tr><td>18</td><td>11/16</td><td>CF 465/0</td></tr> <tr><td>20</td><td>3/4</td><td>M and H</td></tr> <tr><td>22</td><td>7/8</td><td>M and H</td></tr> <tr><td>25</td><td>1</td><td>M and H</td></tr> <tr><td>28</td><td>1 - 1/8</td><td>M and H</td></tr> <tr><td>30</td><td>1 - 3/16</td><td>M and H</td></tr> <tr><td>32</td><td>1 - 1/4</td><td>M and H</td></tr> <tr><td>35</td><td>1 - 3/8</td><td>M and H</td></tr> <tr><td>40</td><td>1 - 9/16</td><td>M and H</td></tr> <tr><td>45</td><td>1 - 3/4</td><td>M and H</td></tr> <tr><td>50</td><td>2</td><td>M</td></tr> </tbody> </table>	mm	inch	CF Model	13	1/2	CF 465/0	16	5/8	CF 465/0	18	11/16	CF 465/0	20	3/4	M and H	22	7/8	M and H	25	1	M and H	28	1 - 1/8	M and H	30	1 - 3/16	M and H	32	1 - 1/4	M and H	35	1 - 3/8	M and H	40	1 - 9/16	M and H	45	1 - 3/4	M and H	50	2	M
mm	inch	mm	inch																																																																																																																																																																									
13	1/2	3,5	1/8																																																																																																																																																																									
16	5/8	4	5/32																																																																																																																																																																									
18	11/16	4,5	11/64																																																																																																																																																																									
20	3/4	5	3/16																																																																																																																																																																									
22	7/8	6	1/4																																																																																																																																																																									
25	1	7	9/32																																																																																																																																																																									
28	1 - 1/8	8	5/16																																																																																																																																																																									
30	1 - 3/16	9	11/32																																																																																																																																																																									
32	1 - 1/4	10	3/8																																																																																																																																																																									
35	1 - 3/8	11	7/16																																																																																																																																																																									
40	1 - 9/16	12	15/32																																																																																																																																																																									
45	1 - 3/4	14	9/16																																																																																																																																																																									
50	2	16	5/8																																																																																																																																																																									
mm	inch																																																																																																																																																																											
13	1/2																																																																																																																																																																											
16	5/8																																																																																																																																																																											
18	11/16																																																																																																																																																																											
20	3/4																																																																																																																																																																											
22	7/8																																																																																																																																																																											
25	1																																																																																																																																																																											
28	1 - 1/8																																																																																																																																																																											
30	1 - 3/16																																																																																																																																																																											
32	1 - 1/4																																																																																																																																																																											
35	1 - 3/8																																																																																																																																																																											
40	1 - 9/16																																																																																																																																																																											
45	1 - 3/4																																																																																																																																																																											
50	2																																																																																																																																																																											
mm	inch	CF Model																																																																																																																																																																										
13	1/2	CF 465/0																																																																																																																																																																										
16	5/8	CF 465/0																																																																																																																																																																										
18	11/16	CF 465/0																																																																																																																																																																										
20	3/4	M and H																																																																																																																																																																										
22	7/8	M and H																																																																																																																																																																										
25	1	M and H																																																																																																																																																																										
28	1 - 1/8	M and H																																																																																																																																																																										
30	1 - 3/16	M and H																																																																																																																																																																										
32	1 - 1/4	M and H																																																																																																																																																																										
35	1 - 3/8	M and H																																																																																																																																																																										
40	1 - 9/16	M and H																																																																																																																																																																										
45	1 - 3/4	M and H																																																																																																																																																																										
50	2	M																																																																																																																																																																										
mm	inch	CF Model																																																																																																																																																																										
13	1/2	CF 465/0																																																																																																																																																																										
16	5/8	CF 465/0																																																																																																																																																																										
18	11/16	CF 465/0																																																																																																																																																																										
20	3/4	M and H																																																																																																																																																																										
22	7/8	M and H																																																																																																																																																																										
25	1	M and H																																																																																																																																																																										
28	1 - 1/8	M and H																																																																																																																																																																										
30	1 - 3/16	M and H																																																																																																																																																																										
32	1 - 1/4	M and H																																																																																																																																																																										
35	1 - 3/8	M and H																																																																																																																																																																										
40	1 - 9/16	M and H																																																																																																																																																																										
45	1 - 3/4	M and H																																																																																																																																																																										
50	2	M																																																																																																																																																																										
		<p>A RICHIESTA: GUIDE FUORI MISURA ON REQUEST: ALL THE OTHER SIZES</p>																																																																																																																																																																										

<h2>GO 129 SET</h2>	RAW EDGE TAPE BINDER FOR PFAFF 463-900	BORDATORE PER PFAFF 463-900	BORDEUR DOUBLE REMPLI POUR PFAFF 463-900	GUIADOR SIMPLE PARA PFAFF 463-900																																																																																																																																																
	<table border="1"> <thead> <tr> <th>mm</th> <th>inch</th> <th>mm</th> <th>inch</th> </tr> </thead> <tbody> <tr><td>10</td><td>3/8</td><td>5</td><td>3/16</td></tr> <tr><td>12</td><td>1/2</td><td>6</td><td>1/4</td></tr> <tr><td>14</td><td>9/16</td><td>7</td><td>9/32</td></tr> <tr><td>16</td><td>5/8</td><td>8</td><td>5/16</td></tr> <tr><td>18</td><td>11/16</td><td>9</td><td>11/32</td></tr> <tr><td>20</td><td>3/4</td><td>10</td><td>3/8</td></tr> <tr><td>22</td><td>7/8</td><td>11</td><td>7/16</td></tr> <tr><td>25</td><td>1</td><td>12,5</td><td>1/2</td></tr> <tr><td>28</td><td>1 - 1/8</td><td>14</td><td>9/16</td></tr> <tr><td>30</td><td>1 - 3/16</td><td>15</td><td>19/32</td></tr> <tr><td>35</td><td>1 - 3/8</td><td>17,5</td><td>11/16</td></tr> </tbody> </table>	mm	inch	mm	inch	10	3/8	5	3/16	12	1/2	6	1/4	14	9/16	7	9/32	16	5/8	8	5/16	18	11/16	9	11/32	20	3/4	10	3/8	22	7/8	11	7/16	25	1	12,5	1/2	28	1 - 1/8	14	9/16	30	1 - 3/16	15	19/32	35	1 - 3/8	17,5	11/16	<table border="1"> <thead> <tr> <th>mm</th> <th>inch</th> </tr> </thead> <tbody> <tr><td>10</td><td>3/8</td></tr> <tr><td>12</td><td>1/2</td></tr> <tr><td>14</td><td>9/16</td></tr> <tr><td>16</td><td>5/8</td></tr> <tr><td>18</td><td>11/16</td></tr> <tr><td>20</td><td>3/4</td></tr> <tr><td>22</td><td>7/8</td></tr> <tr><td>25</td><td>1</td></tr> <tr><td>28</td><td>1 - 1/8</td></tr> <tr><td>30</td><td>1 - 3/16</td></tr> <tr><td>35</td><td>1 - 3/8</td></tr> </tbody> </table>	mm	inch	10	3/8	12	1/2	14	9/16	16	5/8	18	11/16	20	3/4	22	7/8	25	1	28	1 - 1/8	30	1 - 3/16	35	1 - 3/8	<table border="1"> <thead> <tr> <th>mm</th> <th>inch</th> <th>CF Model</th> </tr> </thead> <tbody> <tr><td>10</td><td>3/8</td><td>M</td></tr> <tr><td>12</td><td>1/2</td><td>M</td></tr> <tr><td>14</td><td>9/16</td><td>M</td></tr> <tr><td>16</td><td>5/8</td><td>M</td></tr> <tr><td>18</td><td>11/16</td><td>M</td></tr> <tr><td>20</td><td>3/4</td><td>M - H</td></tr> <tr><td>22</td><td>7/8</td><td>M</td></tr> <tr><td>25</td><td>1</td><td>M - H</td></tr> <tr><td>28</td><td>1 - 1/8</td><td>M</td></tr> <tr><td>30</td><td>1 - 3/16</td><td>M - H</td></tr> <tr><td>35</td><td>1 - 3/8</td><td>M - H</td></tr> </tbody> </table>	mm	inch	CF Model	10	3/8	M	12	1/2	M	14	9/16	M	16	5/8	M	18	11/16	M	20	3/4	M - H	22	7/8	M	25	1	M - H	28	1 - 1/8	M	30	1 - 3/16	M - H	35	1 - 3/8	M - H	<table border="1"> <thead> <tr> <th>mm</th> <th>inch</th> <th>CF Model</th> </tr> </thead> <tbody> <tr><td>10</td><td>3/8</td><td>CF 465/1</td></tr> <tr><td>12</td><td>1/2</td><td>CF 465/1</td></tr> <tr><td>14</td><td>9/16</td><td>CF 465/1</td></tr> <tr><td>16</td><td>5/8</td><td>CF 465/2</td></tr> <tr><td>18</td><td>11/16</td><td>CF 465/3</td></tr> <tr><td>20</td><td>3/4</td><td>CF 465/3</td></tr> <tr><td>22</td><td>7/8</td><td>CF 465/4</td></tr> <tr><td>25</td><td>1</td><td>CF 465/5</td></tr> <tr><td>28</td><td>1 - 1/8</td><td>CF 465/5</td></tr> <tr><td>30</td><td>1 - 3/16</td><td>CF 465/5</td></tr> <tr><td>35</td><td>1 - 3/8</td><td>CF 465/5</td></tr> </tbody> </table>	mm	inch	CF Model	10	3/8	CF 465/1	12	1/2	CF 465/1	14	9/16	CF 465/1	16	5/8	CF 465/2	18	11/16	CF 465/3	20	3/4	CF 465/3	22	7/8	CF 465/4	25	1	CF 465/5	28	1 - 1/8	CF 465/5	30	1 - 3/16	CF 465/5	35	1 - 3/8	CF 465/5
mm	inch	mm	inch																																																																																																																																																	
10	3/8	5	3/16																																																																																																																																																	
12	1/2	6	1/4																																																																																																																																																	
14	9/16	7	9/32																																																																																																																																																	
16	5/8	8	5/16																																																																																																																																																	
18	11/16	9	11/32																																																																																																																																																	
20	3/4	10	3/8																																																																																																																																																	
22	7/8	11	7/16																																																																																																																																																	
25	1	12,5	1/2																																																																																																																																																	
28	1 - 1/8	14	9/16																																																																																																																																																	
30	1 - 3/16	15	19/32																																																																																																																																																	
35	1 - 3/8	17,5	11/16																																																																																																																																																	
mm	inch																																																																																																																																																			
10	3/8																																																																																																																																																			
12	1/2																																																																																																																																																			
14	9/16																																																																																																																																																			
16	5/8																																																																																																																																																			
18	11/16																																																																																																																																																			
20	3/4																																																																																																																																																			
22	7/8																																																																																																																																																			
25	1																																																																																																																																																			
28	1 - 1/8																																																																																																																																																			
30	1 - 3/16																																																																																																																																																			
35	1 - 3/8																																																																																																																																																			
mm	inch	CF Model																																																																																																																																																		
10	3/8	M																																																																																																																																																		
12	1/2	M																																																																																																																																																		
14	9/16	M																																																																																																																																																		
16	5/8	M																																																																																																																																																		
18	11/16	M																																																																																																																																																		
20	3/4	M - H																																																																																																																																																		
22	7/8	M																																																																																																																																																		
25	1	M - H																																																																																																																																																		
28	1 - 1/8	M																																																																																																																																																		
30	1 - 3/16	M - H																																																																																																																																																		
35	1 - 3/8	M - H																																																																																																																																																		
mm	inch	CF Model																																																																																																																																																		
10	3/8	CF 465/1																																																																																																																																																		
12	1/2	CF 465/1																																																																																																																																																		
14	9/16	CF 465/1																																																																																																																																																		
16	5/8	CF 465/2																																																																																																																																																		
18	11/16	CF 465/3																																																																																																																																																		
20	3/4	CF 465/3																																																																																																																																																		
22	7/8	CF 465/4																																																																																																																																																		
25	1	CF 465/5																																																																																																																																																		
28	1 - 1/8	CF 465/5																																																																																																																																																		
30	1 - 3/16	CF 465/5																																																																																																																																																		
35	1 - 3/8	CF 465/5																																																																																																																																																		
		<p>A RICHIESTA: GUIDE FUORI MISURA ON REQUEST: ALL THE OTHER SIZES</p>																																																																																																																																																		

GO 130 SET	RIGHT ANGLE BINDER FOR PFAFF 487	BORDATORE PER PFAFF 487	BORDEUR DOUBLE REPLI POUR PFAFF 487	GUIADOR DOBLE PARA PFAFF 487
-------------------	--	----------------------------	---	---------------------------------

mm		inch		mm		inch			
19	3/4	5	3/16					M	CF 55578/1
22	7/8	6	1/4					M	CF 55578/1
25	1	7	9/32					M	CF 55578/2
28	1 - 1/8	8	5/16					M	CF 55578/2
30	1 - 3/16	9	11/32					M	CF 55578/3
32	1 - 1/4	10	3/8					M	CF 55578/3
35	1 - 3/8	11	7/16					M	CF 55578/4
40	1 - 9/16	12	1/2					M	CF 55578/4
45	1 - 3/4	14	9/16					M	CF 55578/5

**A RICHIESTA:
GUIDE FUORI MISURA
ON REQUEST:
ALL THE OTHER SIZES**

GO 132 SET	RAW EDGE TAPE BINDER FOR PFAFF 487	BORDATORE PER PFAFF 487	BORDEUR DOUBLE REPLI POUR PFAFF 487	GUIADOR SIMPLE PARA PFAFF 487
-------------------	--	----------------------------	---	-------------------------------------

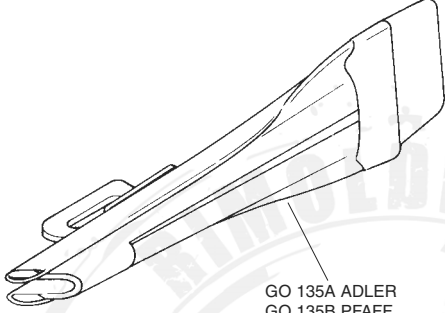
mm		inch		mm		inch			
14	9/16	7	9/32					M	CF 55578/2
16	5/8	8	5/16					M	CF 55578/2
18	11/16	9	11/32					M	CF 55578/3
20	3/4	10	3/8					M	CF 55578/3
22	7/8	11	7/16					M	CF 55578/4
25	1	12,5	1/2					M	CF 55578/5

**A RICHIESTA:
GUIDE FUORI MISURA
ON REQUEST:
ALL THE OTHER SIZES**

<h2>GO 133 SET</h2>	RIGHT ANGLE BINDER FOR NECCHI 885, 835	BORDATORE PER NECCHI 885	BORDEUR DOUBLE REMPLE POUR NECCHI 885	GUIADOR DOBLE PARA NECCHI 885																																																									
			<table border="1"> <thead> <tr> <th>mm</th> <th>inch</th> <th>mm</th> <th>inch</th> </tr> </thead> <tbody> <tr><td>13</td><td>1/2</td><td>3,5</td><td>1/8</td></tr> <tr><td>16</td><td>5/8</td><td>4</td><td>5/32</td></tr> <tr><td>18</td><td>11/16</td><td>4,5</td><td>11/64</td></tr> <tr><td>20</td><td>3/4</td><td>5</td><td>3/16</td></tr> <tr><td>22</td><td>7/8</td><td>6</td><td>1/4</td></tr> <tr><td>25</td><td>1</td><td>7</td><td>9/32</td></tr> <tr><td>28</td><td>1 - 1/8</td><td>8</td><td>5/16</td></tr> <tr><td>30</td><td>1 - 3/16</td><td>9</td><td>11/32</td></tr> <tr><td>32</td><td>1 - 1/4</td><td>10</td><td>3/8</td></tr> <tr><td>35</td><td>1 - 3/8</td><td>11</td><td>7/16</td></tr> <tr><td>40</td><td>1 - 9/16</td><td>12</td><td>15/32</td></tr> <tr><td>45</td><td>1 - 3/4</td><td>14</td><td>9/16</td></tr> <tr><td>50</td><td>2</td><td>16</td><td>5/8</td></tr> </tbody> </table>	mm	inch	mm	inch	13	1/2	3,5	1/8	16	5/8	4	5/32	18	11/16	4,5	11/64	20	3/4	5	3/16	22	7/8	6	1/4	25	1	7	9/32	28	1 - 1/8	8	5/16	30	1 - 3/16	9	11/32	32	1 - 1/4	10	3/8	35	1 - 3/8	11	7/16	40	1 - 9/16	12	15/32	45	1 - 3/4	14	9/16	50	2	16	5/8	<p>M M M M and H M and H M and H M and H M and H M and H M and H M and H M and H M</p>	<p>CF 465/0 CF 465/0 CF 465/0 CF 465/1 CF 465/1 CF 465/1 CF 465/2 CF 465/3 CF 465/3 CF 465/4 CF 465/5 CF 465/5 CF 465/5</p>
mm	inch	mm	inch																																																										
13	1/2	3,5	1/8																																																										
16	5/8	4	5/32																																																										
18	11/16	4,5	11/64																																																										
20	3/4	5	3/16																																																										
22	7/8	6	1/4																																																										
25	1	7	9/32																																																										
28	1 - 1/8	8	5/16																																																										
30	1 - 3/16	9	11/32																																																										
32	1 - 1/4	10	3/8																																																										
35	1 - 3/8	11	7/16																																																										
40	1 - 9/16	12	15/32																																																										
45	1 - 3/4	14	9/16																																																										
50	2	16	5/8																																																										
		<p>A RICHIESTA: GUIDE FUORI MISURA ON REQUEST: ALL THE OTHER SIZES</p>																																																											

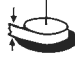

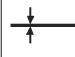
<h2>GO 134 SET</h2>	RAW EDGE TAPE BINDER FOR NECCHI 885	BORDATORE PER NECCHI 885	BORDEUR DOUBLE REMPLE POUR NECCHI 885	GUIADOR SIMPLE PARA NECCHI 885																																																	
			<table border="1"> <thead> <tr> <th>mm</th> <th>inch</th> <th>mm</th> <th>inch</th> </tr> </thead> <tbody> <tr><td>10</td><td>3/8</td><td>5</td><td>3/16</td></tr> <tr><td>12</td><td>1/2</td><td>6</td><td>1/4</td></tr> <tr><td>14</td><td>9/16</td><td>7</td><td>9/32</td></tr> <tr><td>16</td><td>5/8</td><td>8</td><td>5/16</td></tr> <tr><td>18</td><td>11/16</td><td>9</td><td>11/32</td></tr> <tr><td>20</td><td>3/4</td><td>10</td><td>3/8</td></tr> <tr><td>22</td><td>7/8</td><td>11</td><td>7/16</td></tr> <tr><td>25</td><td>1</td><td>12,5</td><td>1/2</td></tr> <tr><td>28</td><td>1 - 1/8</td><td>14</td><td>9/16</td></tr> <tr><td>30</td><td>1 - 3/16</td><td>15</td><td>19/32</td></tr> <tr><td>35</td><td>1 - 3/8</td><td>17,5</td><td>11/16</td></tr> </tbody> </table>	mm	inch	mm	inch	10	3/8	5	3/16	12	1/2	6	1/4	14	9/16	7	9/32	16	5/8	8	5/16	18	11/16	9	11/32	20	3/4	10	3/8	22	7/8	11	7/16	25	1	12,5	1/2	28	1 - 1/8	14	9/16	30	1 - 3/16	15	19/32	35	1 - 3/8	17,5	11/16	<p>M M M M M M - H M M - H M M - H M - H</p>	<p>CF 465/1 CF 465/1 CF 465/1 CF 465/2 CF 465/3 CF 465/3 CF 465/4 CF 465/5 CF 465/5 CF 465/5 CF 465/5</p>
mm	inch	mm	inch																																																		
10	3/8	5	3/16																																																		
12	1/2	6	1/4																																																		
14	9/16	7	9/32																																																		
16	5/8	8	5/16																																																		
18	11/16	9	11/32																																																		
20	3/4	10	3/8																																																		
22	7/8	11	7/16																																																		
25	1	12,5	1/2																																																		
28	1 - 1/8	14	9/16																																																		
30	1 - 3/16	15	19/32																																																		
35	1 - 3/8	17,5	11/16																																																		
		<p>A RICHIESTA: GUIDE FUORI MISURA ON REQUEST: ALL THE OTHER SIZES</p>																																																			

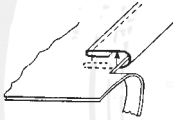
<p>GO 135</p>	<p>RIGHT ANGLE BINDER FOR ADLER 767-AE-73 AND PFAFF 555-701</p>	<p>BORDATORE PER ADLER 767-AE-73 E PFAFF 555-701 AND PFAFF 555-701</p>	<p>BORDEUR DOUBLE REMPLE POUR ADLER 767-AE-73 PFAFF 555-701</p>	<p>GUIADOR DOBLE PARA ADLER 767-AE-73 Y PFAFF 555-701</p>
----------------------	---	--	---	---

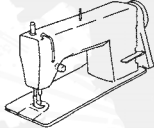



GO 135A ADLER
GO 135B PFAFF

• = GO 100 SET

					
mm	inch	mm	inch		
40	1 - 9/16	12	1/2		M
45	1 - 3/4	14	9/16		M
50	2	16	5/8		M
55	2 - 3/16	18	11/16		M

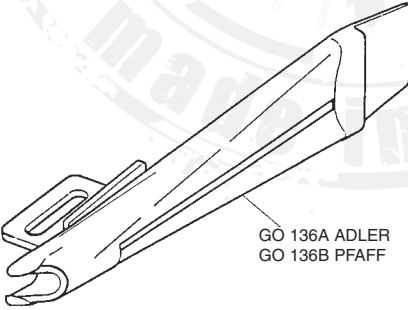







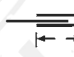

**A RICHIESTA:
GUIDE FUORI MISURA
ON REQUEST:
ALL THE OTHER SIZES**

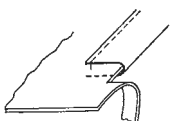
<p>GO 136</p>	<p>RIGHT ANGLE BINDER FOR ADLER 767-AE-73 AND PFAFF 555-701</p>	<p>BORDATORE PER ADLER 767-AE-73 E PFAFF 555-701 AND PFAFF 555-701</p>	<p>BORDEUR DOUBLE REMPLE POUR ADLER 767-AE-73 PFAFF 555-701</p>	<p>GUIADOR DOBLE PARA ADLER 767-AE-73 Y PFAFF 555-701</p>
----------------------	---	--	---	---

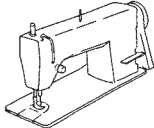



GO 136A ADLER
GO 136B PFAFF

• = GO 100 SET

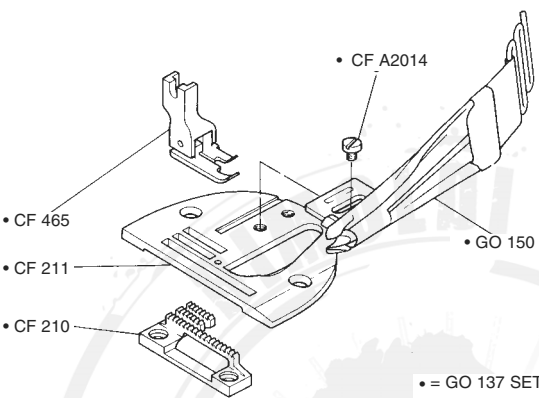


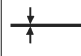


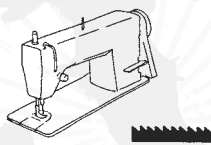
					
mm	inch	mm	inch		
25	1	12	1/2		M
30	1-3/16	15	19/32		M
35	1-3/8	17	11/16		M

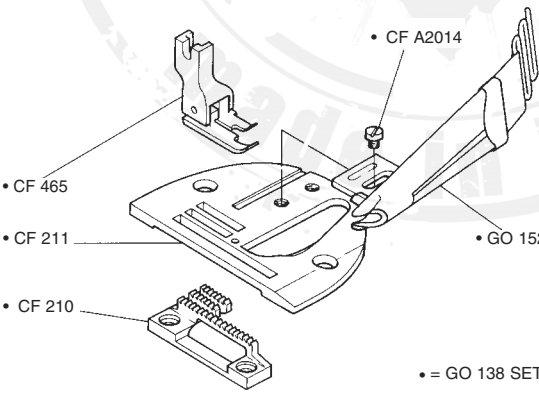

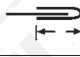
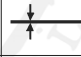

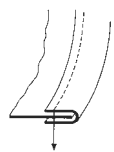
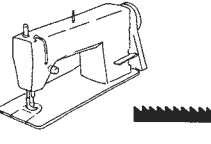




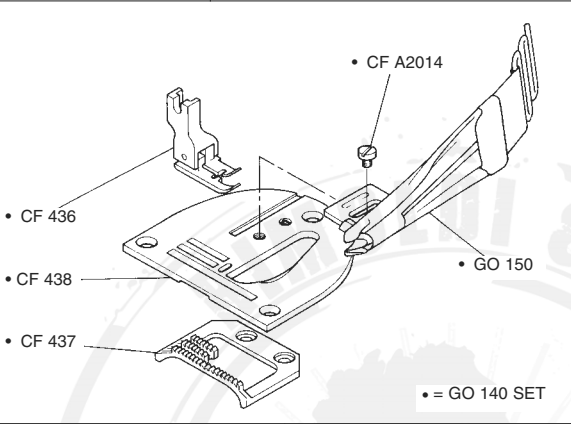


**A RICHIESTA:
GUIDE FUORI MISURA
ON REQUEST:
ALL THE OTHER SIZES**

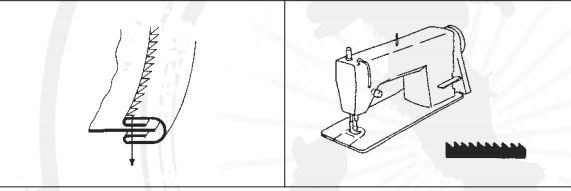
GO 137 SET	RIGHT ANGLE BINDER FOR DURKOPP 211	BORDATORE PER DURKOPP 211	BORDEUR DOUBLE REMPLE POUR DURKOPP 211 COUPE-FIL	GUIADOR DOBLE PARA DURKOPP 211																																																																																				
 <p style="text-align: center;">• = GO 137 SET</p>			   	<table border="1" style="width:100%; border-collapse: collapse; text-align: center;"> <thead> <tr> <th>mm</th> <th>inch</th> <th>mm</th> <th>inch</th> <th></th> <th></th> </tr> </thead> <tbody> <tr><td>13</td><td>1/2</td><td>3,5</td><td>1/8</td><td></td><td>CF 465/0</td></tr> <tr><td>16</td><td>5/8</td><td>4</td><td>5/32</td><td>M</td><td>CF 465/0</td></tr> <tr><td>18</td><td>11/16</td><td>4,5</td><td>11/64</td><td>M</td><td>CF 465/0</td></tr> <tr><td>20</td><td>3/4</td><td>5</td><td>3/16</td><td>M and H</td><td>CF 465/1</td></tr> <tr><td>22</td><td>7/8</td><td>6</td><td>1/4</td><td>M and H</td><td>CF 465/1</td></tr> <tr><td>25</td><td>1</td><td>7</td><td>9/32</td><td>M and H</td><td>CF 465/1</td></tr> <tr><td>28</td><td>1 - 1/8</td><td>8</td><td>5/16</td><td>M and H</td><td>CF 465/2</td></tr> <tr><td>30</td><td>1 - 3/16</td><td>9</td><td>11/32</td><td>M and H</td><td>CF 465/3</td></tr> <tr><td>32</td><td>1 - 1/4</td><td>10</td><td>3/8</td><td>M and H</td><td>CF 465/3</td></tr> <tr><td>35</td><td>1 - 3/8</td><td>11</td><td>7/16</td><td>M and H</td><td>CF 465/4</td></tr> <tr><td>40</td><td>1 - 9/16</td><td>12</td><td>15/32</td><td>M and H</td><td>CF 465/5</td></tr> <tr><td>45</td><td>1 - 3/4</td><td>14</td><td>9/16</td><td>M and H</td><td>CF 465/5</td></tr> <tr><td>50</td><td>2</td><td>16</td><td>5/8</td><td>M</td><td>CF 465/5</td></tr> </tbody> </table>	mm	inch	mm	inch			13	1/2	3,5	1/8		CF 465/0	16	5/8	4	5/32	M	CF 465/0	18	11/16	4,5	11/64	M	CF 465/0	20	3/4	5	3/16	M and H	CF 465/1	22	7/8	6	1/4	M and H	CF 465/1	25	1	7	9/32	M and H	CF 465/1	28	1 - 1/8	8	5/16	M and H	CF 465/2	30	1 - 3/16	9	11/32	M and H	CF 465/3	32	1 - 1/4	10	3/8	M and H	CF 465/3	35	1 - 3/8	11	7/16	M and H	CF 465/4	40	1 - 9/16	12	15/32	M and H	CF 465/5	45	1 - 3/4	14	9/16	M and H	CF 465/5	50	2	16	5/8	M	CF 465/5
mm	inch	mm	inch																																																																																					
13	1/2	3,5	1/8		CF 465/0																																																																																			
16	5/8	4	5/32	M	CF 465/0																																																																																			
18	11/16	4,5	11/64	M	CF 465/0																																																																																			
20	3/4	5	3/16	M and H	CF 465/1																																																																																			
22	7/8	6	1/4	M and H	CF 465/1																																																																																			
25	1	7	9/32	M and H	CF 465/1																																																																																			
28	1 - 1/8	8	5/16	M and H	CF 465/2																																																																																			
30	1 - 3/16	9	11/32	M and H	CF 465/3																																																																																			
32	1 - 1/4	10	3/8	M and H	CF 465/3																																																																																			
35	1 - 3/8	11	7/16	M and H	CF 465/4																																																																																			
40	1 - 9/16	12	15/32	M and H	CF 465/5																																																																																			
45	1 - 3/4	14	9/16	M and H	CF 465/5																																																																																			
50	2	16	5/8	M	CF 465/5																																																																																			
				<p>A RICHIESTA: GUIDE FUORI MISURA ON REQUEST: ALL THE OTHER SIZES</p>																																																																																				

GO 138 SET	RAW EDGE TAPE BINDER FOR DURKOPP 211	BORDATORE PER DURKOPP 211	BORDEUR SIMPLE REMPLE POUR DURKOPP 211 COUPE-FIL	GUIADOR SIMPLE PARA DURKOPP 211																																																																								
 <p style="text-align: center;">• = GO 138 SET</p>			   	<table border="1" style="width:100%; border-collapse: collapse; text-align: center;"> <thead> <tr> <th>mm</th> <th>inch</th> <th>mm</th> <th>inch</th> <th></th> <th></th> </tr> </thead> <tbody> <tr><td>10</td><td>3/8</td><td>5</td><td>3/16</td><td></td><td>CF 465/1</td></tr> <tr><td>12</td><td>1/2</td><td>6</td><td>1/4</td><td>M</td><td>CF 465/1</td></tr> <tr><td>14</td><td>9/16</td><td>7</td><td>9/32</td><td>M</td><td>CF 465/1</td></tr> <tr><td>16</td><td>5/8</td><td>8</td><td>5/16</td><td>M</td><td>CF 465/2</td></tr> <tr><td>18</td><td>11/16</td><td>9</td><td>11/32</td><td>M</td><td>CF 465/3</td></tr> <tr><td>20</td><td>3/4</td><td>10</td><td>3/8</td><td>M - H</td><td>CF 465/3</td></tr> <tr><td>22</td><td>7/8</td><td>11</td><td>7/16</td><td>M</td><td>CF 465/4</td></tr> <tr><td>25</td><td>1</td><td>12,5</td><td>1/2</td><td>M - H</td><td>CF 465/5</td></tr> <tr><td>28</td><td>1 - 1/8</td><td>14</td><td>9/16</td><td>M</td><td>CF 465/5</td></tr> <tr><td>30</td><td>1 - 3/16</td><td>15</td><td>19/32</td><td>M - H</td><td>CF 465/5</td></tr> <tr><td>35</td><td>1 - 3/8</td><td>17,5</td><td>11/16</td><td>M - H</td><td>CF 465/5</td></tr> </tbody> </table>	mm	inch	mm	inch			10	3/8	5	3/16		CF 465/1	12	1/2	6	1/4	M	CF 465/1	14	9/16	7	9/32	M	CF 465/1	16	5/8	8	5/16	M	CF 465/2	18	11/16	9	11/32	M	CF 465/3	20	3/4	10	3/8	M - H	CF 465/3	22	7/8	11	7/16	M	CF 465/4	25	1	12,5	1/2	M - H	CF 465/5	28	1 - 1/8	14	9/16	M	CF 465/5	30	1 - 3/16	15	19/32	M - H	CF 465/5	35	1 - 3/8	17,5	11/16	M - H	CF 465/5
mm	inch	mm	inch																																																																									
10	3/8	5	3/16		CF 465/1																																																																							
12	1/2	6	1/4	M	CF 465/1																																																																							
14	9/16	7	9/32	M	CF 465/1																																																																							
16	5/8	8	5/16	M	CF 465/2																																																																							
18	11/16	9	11/32	M	CF 465/3																																																																							
20	3/4	10	3/8	M - H	CF 465/3																																																																							
22	7/8	11	7/16	M	CF 465/4																																																																							
25	1	12,5	1/2	M - H	CF 465/5																																																																							
28	1 - 1/8	14	9/16	M	CF 465/5																																																																							
30	1 - 3/16	15	19/32	M - H	CF 465/5																																																																							
35	1 - 3/8	17,5	11/16	M - H	CF 465/5																																																																							
				<p>A RICHIESTA: GUIDE FUORI MISURA ON REQUEST: ALL THE OTHER SIZES</p>																																																																								

GO 140 SET	RIGHT ANGLE BINDER FOR PFAFF 438, 938	BORDATORE PER PFAFF 438, 938	BORDEUR DOUBLE REMPLI POUR PFAFF 438, 938	GUIADOR DOBLE PARA PFAFF 438, 938
-------------------	---------------------------------------	------------------------------	---	-----------------------------------

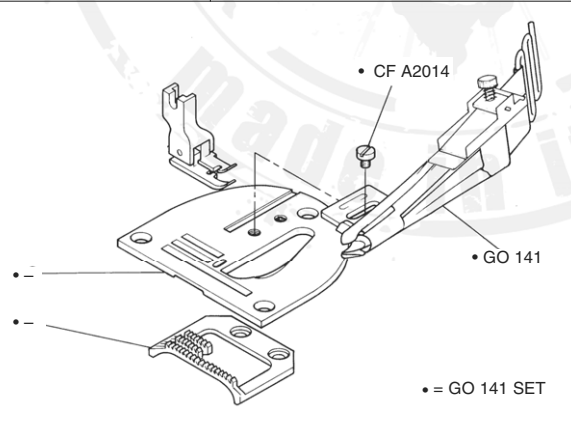


mm inch	mm inch		
13 1/2	3,5 1/8		
16 5/8	4 5/32	M	CF 436/1
18 11/16	4,5 11/64	M	CF 436/1
20 3/4	5 3/16	M and H	CF 436/1
22 7/8	6 1/4	M and H	CF 436/1
25 1	7 9/32	M and H	CF 436/1
28 1 - 1/8	8 5/16	M and H	CF 436/2
30 1 - 3/16	9 11/32	M and H	CF 436/2
32 1 - 1/4	10 3/8	M and H	CF 436/2
35 1 - 3/8	11 7/16	M and H	CF 436/2
40 1 - 9/16	12 15/32	M and H	CF 436/2
45 1 - 3/4	14 9/16	M and H	CF 436/2
50 2	16 5/8	M	CF 436/2

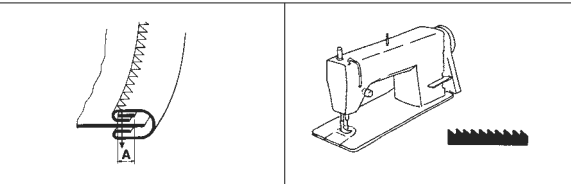


**A RICHIESTA:
GUIDE FUORI MISURA
ON REQUEST:
ALL THE OTHER SIZES**

GO 141 SET	RIGHT ANGLE BINDER FOR ELASTIC INSERTION	BORDATORE CON INSERIMENTO DI ELASTICO	BORDEUR DOUBLE REMPLI AVEC INSERTION D'ELASTIQUE	GUIADOR DOBLE CON INSECCION DE ELASTICO
-------------------	--	---------------------------------------	--	---



mm inch	mm inch		
25 1	6 1/4		
28 1 - 1/8	7 9/32	M	4 3/16
32 1 - 1/4	9 3/8	M	6 1/4
			8 5/16



GO 141A SET = PFAFF 438, 938
 GO 141B SET = DURKOPP 265
 GO 141C SET = PFAFF - 138/238
 GO 141D SET = NECCHI 720
 GO 141E SET = BROTHER B856
 GO 141F SET = SINGER 457, JUKI 2280

GO 142 SET	RAW EDGE TAPE BINDER FOR PFAFF 438, 938	BORDATORE PER PFAFF 438, 938	BORDEUR SIMPLE REMPLE POUR PFAFF 438, 938	GUIADOR SIMPLE PARA PFAFF 438, 938
-------------------	---	---------------------------------	---	---------------------------------------

• = GO 142 SET

mm		inch		M	CF 436/1
10	3/8	5	3/16		
12	1/2	6	1/4	M	CF 436/1
14	9/16	7	9/32	M	CF 436/1
16	5/8	8	5/16	M	CF 436/2
18	11/16	9	11/32	M	CF 436/2
20	3/4	10	3/8	M - H	CF 436/2
22	7/8	11	7/16	M	CF 436/2
25	1	12.5	1/2	M - H	CF 436/2
28	1 - 1/8	14	9/16	M	CF 436/2
30	1 - 3/16	15	19/32	M - H	CF 436/2
35	1 - 3/8	17.5	11/16	M - H	CF 436/2

**A RICHIESTA:
GUIDE FUORI MISURA
ON REQUEST:
ALL THE OTHER SIZES**

GO 143 SET	RIGHT ANGLE BINDER FOR DURKOPP 265	BORDATORE PER DURKOPP 265	BORDEUR DOUBLE REMPLE POUR DURKOPP 265	GUIADOR DOBLE PARA DURKOPP 265
-------------------	--	------------------------------	--	--------------------------------------

• = GO 143 SET

mm		inch		M	CF 436/1
13	1/2	3.5	1/8		
16	5/8	4	5/32	M	CF 436/1
18	11/16	4.5	11/64	M	CF 436/1
20	3/4	5	3/16	M and H	CF 436/1
22	7/8	6	1/4	M and H	CF 436/1
25	1	7	9/32	M and H	CF 436/1
28	1 - 1/8	8	5/16	M and H	CF 436/2
30	1 - 3/16	9	11/32	M and H	CF 436/2
32	1 - 1/4	10	3/8	M and H	CF 436/2
35	1 - 3/8	11	7/16	M and H	CF 436/2
40	1 - 9/16	12	15/32	M and H	CF 436/2
45	1 - 3/4	14	9/16	M and H	CF 436/2
50	2	16	5/8	M	CF 436/2

**A RICHIESTA:
GUIDE FUORI MISURA
ON REQUEST:
ALL THE OTHER SIZES**

GO 144 SET	RAW EDGE TAPE BINDER FOR DURKOPP 265	BORDATORE PER DURKOPP 265	BORDEUR SIMPLE REPLI POUR DURKOPP 265	GUIADOR SIMPLE PARA DURKOPP 265
-------------------	--	------------------------------	---	---------------------------------------

mm		inch		mm		inch			
10	3/8	5	3/16					M	CF 436/1
12	1/2	6	1/4					M	CF 436/1
14	9/16	7	9/32					M	CF 436/1
16	5/8	8	5/16					M	CF 436/2
18	11/16	9	11/32					M	CF 436/2
20	3/4	10	3/8					M - H	CF 436/2
22	7/8	11	7/16					M	CF 436/2
25	1	12.5	1/2					M - H	CF 436/2
28	1 - 1/8	14	9/16					M	CF 436/2
30	1 - 3/16	15	19/32					M - H	CF 436/2
35	1 - 3/8	17.5	11/16					M - H	CF 436/2

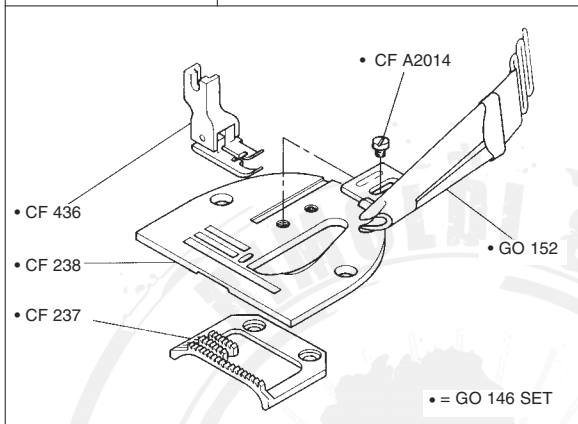
**A RICHIESTA:
GUIDE FUORI MISURA
ON REQUEST:
ALL THE OTHER SIZES**


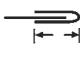
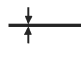

GO 145 SET	RIGHT ANGLE BINDER FOR PFAFF 138-238	BORDATORE PER PFAFF 138-238	BORDEUR DOUBLE REPLI POUR PFAFF 138-238	GUIADOR DOBLE PARA PFAFF 138-238
-------------------	--	--------------------------------	---	--

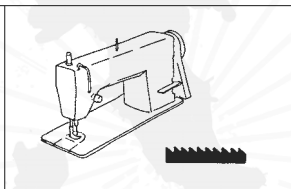
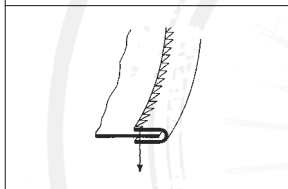
mm		inch		mm		inch			
13	1/2	3,5	1/8					M	CF 436/1
16	5/8	4	5/32					M	CF 436/1
18	11/16	4,5	11/64					M	CF 436/1
20	3/4	5	3/16					M and H	CF 436/1
22	7/8	6	1/4					M and H	CF 436/1
25	1	7	9/32					M and H	CF 436/1
28	1 - 1/8	8	5/16					M and H	CF 436/2
30	1 - 3/16	9	11/32					M and H	CF 436/2
32	1 - 1/4	10	3/8					M and H	CF 436/2
35	1 - 3/8	11	7/16					M and H	CF 436/2
40	1 - 9/16	12	15/32					M and H	CF 436/2
45	1 - 3/4	14	9/16					M and H	CF 436/2
50	2	16	5/8					M	CF 436/2

**A RICHIESTA:
GUIDE FUORI MISURA
ON REQUEST:
ALL THE OTHER SIZES**

GO 146 SET	RAW EDGE TAPE BINDER FOR PFAFF 138-238	BORDATORE PER PFAFF 138-238	BORDEUR SIMPLE REMPII POUR PFAFF 138-238	GUIADOR SIMPLE PARA PFAFF 138-238
-------------------	--	--------------------------------	--	---

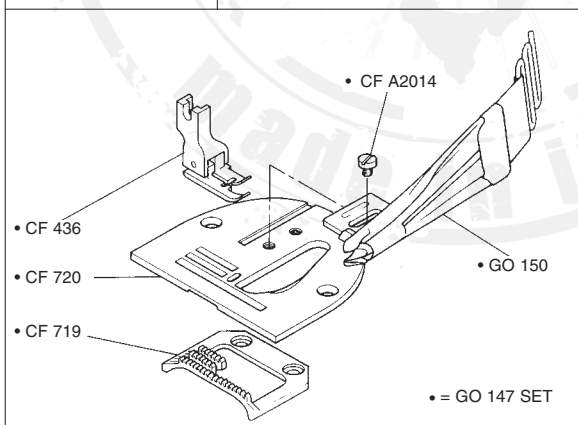




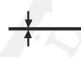
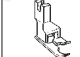
			
mm inch	mm inch		
10 3/8	5 3/16	M	CF 436/1
12 1/2	6 1/4	M	CF 436/1
14 9/16	7 9/32	M	CF 436/1
16 5/8	8 5/16	M	CF 436/2
18 11/16	9 11/32	M	CF 436/2
20 3/4	10 3/8	M - H	CF 436/2
22 7/8	11 7/16	M	CF 436/2
25 1	12.5 1/2	M - H	CF 436/2
28 1 - 1/8	14 9/16	M	CF 436/2
30 1 - 3/16	15 19/32	M - H	CF 436/2
35 1 - 3/8	17.5 11/16	M - H	CF 436/2

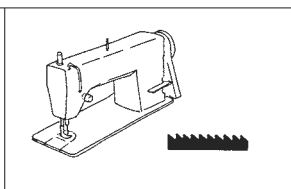
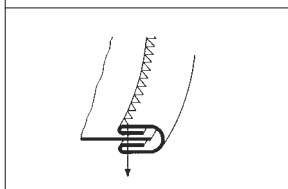


**A RICHIESTA:
GUIDE FUORI MISURA
ON REQUEST:
ALL THE OTHER SIZES**

GO 147 SET	RIGHT ANGLE BINDER FOR NECCHI 720	BORDATORE PER NECCHI 720	BORDEUR DOUBLE REMPII POUR NECCHI 720	GUIADOR DOBLE PARA NECCHI 720
-------------------	---	-----------------------------	---	-------------------------------------



			
mm inch	mm inch		
13 1/2	3,5 1/8	M	CF 436/1
16 5/8	4 5/32	M	CF 436/1
18 11/16	4,5 11/64	M	CF 436/1
20 3/4	5 3/16	M and H	CF 436/1
22 7/8	6 1/4	M and H	CF 436/1
25 1	7 9/32	M and H	CF 436/1
28 1 - 1/8	8 5/16	M and H	CF 436/2
30 1 - 3/16	9 11/32	M and H	CF 436/2
32 1 - 1/4	10 3/8	M and H	CF 436/2
35 1 - 3/8	11 7/16	M and H	CF 436/2
40 1 - 9/16	12 15/32	M and H	CF 436/2
45 1 - 3/4	14 9/16	M and H	CF 436/2
50 2	16 5/8	M	CF 436/2



**A RICHIESTA:
GUIDE FUORI MISURA
ON REQUEST:
ALL THE OTHER SIZES**

<h2>GO 148 SET</h2>	RAW EDGE TAPE BINDER FOR NECCHI 720	BORDATORE PER NECCHI 720	BORDEUR SIMPLE REMPII POUR NECCHI 720	GUIADOR SIMPLE PARA NECCHI 720
---------------------	---	-----------------------------	---	-----------------------------------

mm		inch		mm	inch	M	CF
10	3/8	5	3/16				
12	1/2	6	1/4			M	CF 436/1
14	9/16	7	9/32			M	CF 436/1
16	5/8	8	5/16			M	CF 436/2
18	11/16	9	11/32			M	CF 436/2
20	3/4	10	3/8			M - H	CF 436/2
22	7/8	11	7/16			M	CF 436/2
25	1	12.5	1/2			M - H	CF 436/2
28	1 - 1/8	14	9/16			M	CF 436/2
30	1 - 3/16	15	19/32			M - H	CF 436/2
35	1 - 3/8	17.5	11/16			M - H	CF 436/2

**A RICHIESTA:
GUIDE FUORI MISURA
ON REQUEST:
ALL THE OTHER SIZES**

<h2>GO 150 SET</h2>	RIGHT ANGLE BINDER FOR STANDARD LOCKSTITCH MACHINES	BORDATORE PER MACCHINE LINEARI NON RASAFILO	BORDEUR DOUBLE REMPII POUR TOUTES PIQUEUSES A POINT NOUE	GUIADOR DOBLE PARA MAQUINAS DE PESPUNTE
---------------------	--	--	---	---

mm		inch		mm	inch	M	CF
13	1/2	3.5	1/8				
16	5/8	4	5/32			M	CF 465/0
18	11/16	4.5	11/64			M	CF 465/0
20	3/4	5	3/16			M and H	CF 465/1
22	7/8	6	1/4			M and H	CF 465/1
25	1	7	9/32			M and H	CF 465/1
28	1 - 1/8	8	5/16			M and H	CF 465/2
30	1 - 3/16	9	11/32			M and H	CF 465/3
32	1 - 1/4	10	3/8			M and H	CF 465/3
35	1 - 3/8	11	7/16			M and H	CF 465/4
40	1 - 9/16	12	15/32			M and H	CF 465/5
45	1 - 3/4	14	9/16			M and H	CF 465/5
50	2	16	5/8			M	CF 465/5

**A RICHIESTA:
GUIDE FUORI MISURA
ON REQUEST:
ALL THE OTHER SIZES**

GO 151 SET	SEMI - FOLD BINDER	BORDATORE CON PIEGA SOLO SUPERIORE	BORDEUR DOUBLE REMPLE SUPERIEUR, SIMPLE INFERIEUR	GUIADOR PARA SASTRERIA SIN DOBLAR LA PARTE INFERIOR
-------------------	-----------------------	--	---	--

• CF A2014

• GO 151

• = GO 151 SET

mm inch	mm inch	mm inch	
22 7/8	5 3/16	12 15/32	
27 1-1/16	7 9/32	14 9/16	

**A RICHIESTA:
GUIDE FUORI MISURA
ON REQUEST:
ALL THE OTHER SIZES**

GO 151A SET = STANDARD - LOCKSTITCH
GO 151B SET = PFAFF 483
GO 151C SET = PFAFF 438
GO 151D SET = DURKOPP 265
GO 151E SET = NECCHI 720
GO 151F SET = PFAFF 138
GO 151G SET = DURKOPP 211
GO 151H SET = NECCHI 885
GO 151L SET = PFAFF 463 - 900

GO 152 SET	RAW EDGE TAPE BINDER FOR STANDARD LOCKSTITCH MACHINES	BORDATORE PER MACCHINE LINEARI NON RASAFILO	BORDEUR SIMPLE REMPLE POUR TOUTES PIQUEUSES A POINT NOUE	GUIADOR SIMPLE PARA MAQUINAS DE PESPUNTE
-------------------	--	--	---	--

• CF A2014

• GO 152

• CF 465

• CF 463/S

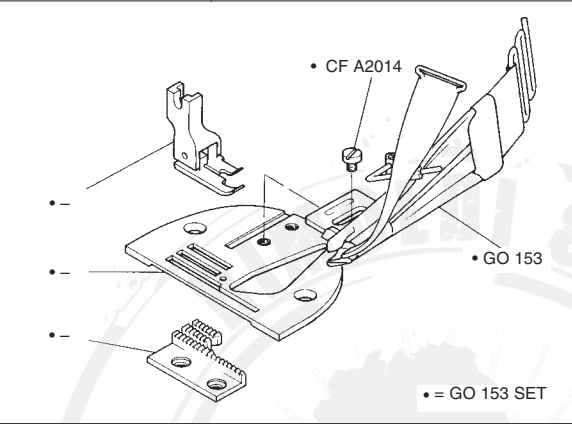
• CF 464/S

• = GO 152 SET

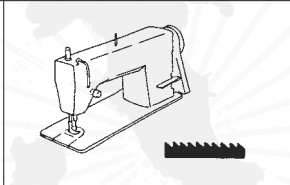
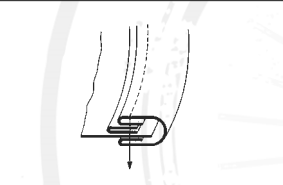
mm inch	mm inch			
10 3/8	5 3/16		M	CF 465/1
12 1/2	6 1/4		M	CF 465/1
14 9/16	7 9/32		M	CF 465/1
16 5/8	8 5/16		M	CF 465/2
18 11/16	9 11/32		M	CF 465/3
20 3/4	10 3/8		M - H	CF 465/3
22 7/8	11 7/16		M	CF 465/4
25 1	12,5 1/2		M - H	CF 465/5
28 1 - 1/8	14 9/16		M	CF 465/5
30 1 - 3/16	15 19/32		M - H	CF 465/5
35 1 - 3/8	17,5 11/16		M - H	CF 465/5

**A RICHIESTA:
GUIDE FUORI MISURA
ON REQUEST:
ALL THE OTHER SIZES**

<h2>GO 153 SET</h2>	RIGHT ANGLE BINDER WITH PIPING	BORDATORE CON PROFILO	BORDEUR DOUBLE REMPLE AVEC PASSEPOIL	GUIADOR DOBLE CON VIVO
---------------------	--------------------------------------	--------------------------	--	---------------------------

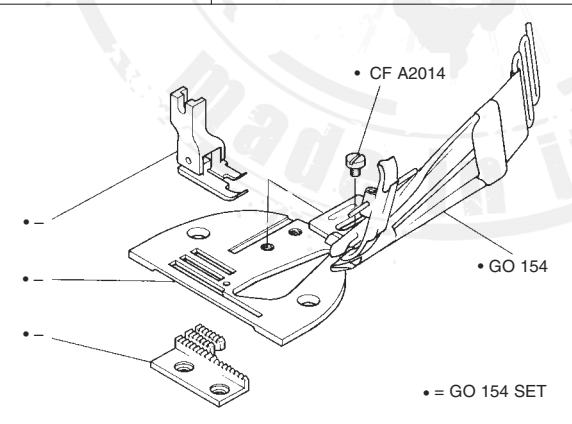


COSTRUITO SU RICHIESTA
MANUFACTURED ON REQUEST
FABRIQUE SUR COMMANDE
SE CONSTRUYE SOBRE DEMANDA

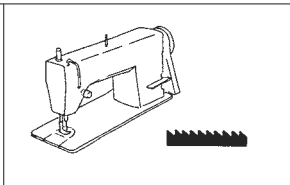
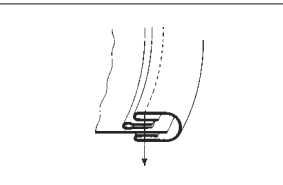


- GO 153A SET = STANDARD - LOCKSTITCH MACHINES
- GO 153B SET = PFAFF 483
- GO 153C SET = PFAFF 438 ZIGZAG
- GO 153D SET = DURKOPP 265 ZIGZAG
- GO 153E SET = NECCHI 720 ZIGZAG
- GO 153F SET = PFAFF 138 ZIGZAG
- GO 153G SET = DURKOPP 211
- GO 153H SET = NECCHI 885
- GO 153L SET = PFAFF 463 - 900

<h2>GO 154 SET</h2>	RIGHT ANGLE BINDER WITH READY-MADE PIPING	BORDATORE CON PROFILO PREFABBRICATO	BORDEUR DOUBLE REMPLE AVEC PASSEPOIL PREFABRIQUE	GUIADOR DOBLE CON VIVO PREFABRICADO
---------------------	--	---	---	---










COSTRUITO SU RICHIESTA
MANUFACTURED ON REQUEST
FABRIQUE SUR COMMANDE
SE CONSTRUYE SOBRE DEMANDA

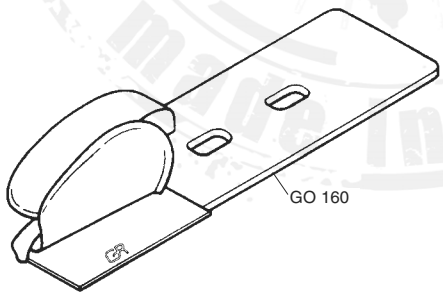






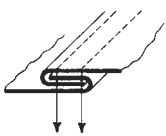
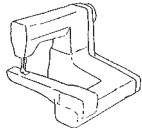


- GO 154A SET = STANDARD - LOCKSTITCH MACHINES
- GO 154B SET = PFAFF 483
- GO 154C SET = PFAFF 438 ZIGZAG
- GO 154D SET = DURKOPP 265 ZIGZAG
- GO 154E SET = NECCHI 720 ZIGZAG
- GO 154F SET = PFAFF 138 ZIGZAG
- GO 154G SET = DURKOPP 211
- GO 154H SET = NECCHI 885
- GO 154L SET = PFAFF 463 - 900

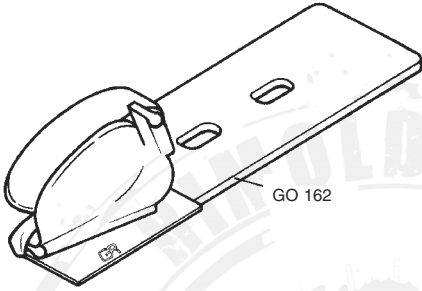

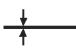

<h2>GO 155 SET</h2>	RIGHT ANGLE BINDER FOR PFAFF 483	BORDATORE PER PFAFF 483	BORDEUR DOUBLE REMPLE POUR PFAFF 483	GUIADOR DOBLE PARA PFAFF 483																																																																																																		
<p>• CF 465</p> <p>• CF 483</p> <p>• CF 484</p> <p>• CF A2014</p> <p>• GO 155</p> <p>• = GO 155 SET</p>			<table border="1"> <thead> <tr> <th>mm</th> <th>inch</th> </tr> </thead> <tbody> <tr><td>13</td><td>1/2</td></tr> <tr><td>16</td><td>5/8</td></tr> <tr><td>18</td><td>11/16</td></tr> <tr><td>20</td><td>3/4</td></tr> <tr><td>22</td><td>7/8</td></tr> <tr><td>25</td><td>1</td></tr> <tr><td>28</td><td>1 - 1/8</td></tr> <tr><td>30</td><td>1 - 3/16</td></tr> <tr><td>32</td><td>1 - 1/4</td></tr> <tr><td>35</td><td>1 - 3/8</td></tr> <tr><td>40</td><td>1 - 9/16</td></tr> <tr><td>45</td><td>1 - 3/4</td></tr> <tr><td>50</td><td>2</td></tr> </tbody> </table>	mm	inch	13	1/2	16	5/8	18	11/16	20	3/4	22	7/8	25	1	28	1 - 1/8	30	1 - 3/16	32	1 - 1/4	35	1 - 3/8	40	1 - 9/16	45	1 - 3/4	50	2	<table border="1"> <thead> <tr> <th>mm</th> <th>inch</th> </tr> </thead> <tbody> <tr><td>3,5</td><td>1/8</td></tr> <tr><td>4</td><td>5/32</td></tr> <tr><td>4,5</td><td>11/64</td></tr> <tr><td>5</td><td>3/16</td></tr> <tr><td>6</td><td>1/4</td></tr> <tr><td>7</td><td>9/32</td></tr> <tr><td>8</td><td>5/16</td></tr> <tr><td>9</td><td>11/32</td></tr> <tr><td>10</td><td>3/8</td></tr> <tr><td>11</td><td>7/16</td></tr> <tr><td>12</td><td>15/32</td></tr> <tr><td>14</td><td>9/16</td></tr> <tr><td>16</td><td>5/8</td></tr> </tbody> </table>	mm	inch	3,5	1/8	4	5/32	4,5	11/64	5	3/16	6	1/4	7	9/32	8	5/16	9	11/32	10	3/8	11	7/16	12	15/32	14	9/16	16	5/8	<table border="1"> <thead> <tr> <th>mm</th> <th>inch</th> </tr> </thead> <tbody> <tr><td>M</td><td></td></tr> <tr><td>M</td><td></td></tr> <tr><td>M</td><td></td></tr> <tr><td>M and H</td><td></td></tr> <tr><td>M and H</td><td></td></tr> <tr><td>M and H</td><td></td></tr> <tr><td>M and H</td><td></td></tr> <tr><td>M and H</td><td></td></tr> <tr><td>M and H</td><td></td></tr> <tr><td>M and H</td><td></td></tr> <tr><td>M and H</td><td></td></tr> <tr><td>M and H</td><td></td></tr> <tr><td>M</td><td></td></tr> </tbody> </table>	mm	inch	M		M		M		M and H		M and H		M and H		M and H		M and H		M and H		M and H		M and H		M and H		M		<table border="1"> <tbody> <tr><td>CF 465/0</td></tr> <tr><td>CF 465/0</td></tr> <tr><td>CF 465/0</td></tr> <tr><td>CF 465/1</td></tr> <tr><td>CF 465/1</td></tr> <tr><td>CF 465/1</td></tr> <tr><td>CF 465/2</td></tr> <tr><td>CF 465/3</td></tr> <tr><td>CF 465/4</td></tr> <tr><td>CF 465/5</td></tr> <tr><td>CF 465/6</td></tr> <tr><td>CF 465/6</td></tr> </tbody> </table>	CF 465/0	CF 465/0	CF 465/0	CF 465/1	CF 465/1	CF 465/1	CF 465/2	CF 465/3	CF 465/4	CF 465/5	CF 465/6	CF 465/6
mm	inch																																																																																																					
13	1/2																																																																																																					
16	5/8																																																																																																					
18	11/16																																																																																																					
20	3/4																																																																																																					
22	7/8																																																																																																					
25	1																																																																																																					
28	1 - 1/8																																																																																																					
30	1 - 3/16																																																																																																					
32	1 - 1/4																																																																																																					
35	1 - 3/8																																																																																																					
40	1 - 9/16																																																																																																					
45	1 - 3/4																																																																																																					
50	2																																																																																																					
mm	inch																																																																																																					
3,5	1/8																																																																																																					
4	5/32																																																																																																					
4,5	11/64																																																																																																					
5	3/16																																																																																																					
6	1/4																																																																																																					
7	9/32																																																																																																					
8	5/16																																																																																																					
9	11/32																																																																																																					
10	3/8																																																																																																					
11	7/16																																																																																																					
12	15/32																																																																																																					
14	9/16																																																																																																					
16	5/8																																																																																																					
mm	inch																																																																																																					
M																																																																																																						
M																																																																																																						
M																																																																																																						
M and H																																																																																																						
M and H																																																																																																						
M and H																																																																																																						
M and H																																																																																																						
M and H																																																																																																						
M and H																																																																																																						
M and H																																																																																																						
M and H																																																																																																						
M and H																																																																																																						
M																																																																																																						
CF 465/0																																																																																																						
CF 465/0																																																																																																						
CF 465/0																																																																																																						
CF 465/1																																																																																																						
CF 465/1																																																																																																						
CF 465/1																																																																																																						
CF 465/2																																																																																																						
CF 465/3																																																																																																						
CF 465/4																																																																																																						
CF 465/5																																																																																																						
CF 465/6																																																																																																						
CF 465/6																																																																																																						
				<p>A RICHIESTA: GUIDE FUORI MISURA ON REQUEST: ALL THE OTHER SIZES</p>																																																																																																		

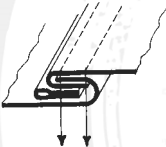
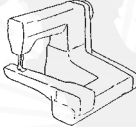
<h2>GO 156 SET</h2>	RAW EDGE TAPE BINDER FOR PFAFF 483	BORDATORE PER PFAFF 483	BORDEUR SIMPLE REMPLE POUR PFAFF 483	GUIADOR SIMPLE PARA PFAFF 483																																																																																			
<p>• CF 465</p> <p>• CF 483</p> <p>• CF 484</p> <p>• CF A2014</p> <p>• GO 152</p> <p>• = GO 156 SET</p>			<table border="1"> <thead> <tr> <th>mm</th> <th>inch</th> </tr> </thead> <tbody> <tr><td>10</td><td>3/8</td></tr> <tr><td>12</td><td>1/2</td></tr> <tr><td>14</td><td>9/16</td></tr> <tr><td>16</td><td>5/8</td></tr> <tr><td>18</td><td>11/16</td></tr> <tr><td>20</td><td>3/4</td></tr> <tr><td>22</td><td>7/8</td></tr> <tr><td>25</td><td>1</td></tr> <tr><td>28</td><td>1 - 1/8</td></tr> <tr><td>30</td><td>1 - 3/16</td></tr> <tr><td>35</td><td>1 - 3/8</td></tr> </tbody> </table>	mm	inch	10	3/8	12	1/2	14	9/16	16	5/8	18	11/16	20	3/4	22	7/8	25	1	28	1 - 1/8	30	1 - 3/16	35	1 - 3/8	<table border="1"> <thead> <tr> <th>mm</th> <th>inch</th> </tr> </thead> <tbody> <tr><td>5</td><td>3/16</td></tr> <tr><td>6</td><td>1/4</td></tr> <tr><td>7</td><td>9/32</td></tr> <tr><td>8</td><td>5/16</td></tr> <tr><td>9</td><td>11/32</td></tr> <tr><td>10</td><td>3/8</td></tr> <tr><td>11</td><td>7/16</td></tr> <tr><td>12,5</td><td>1/2</td></tr> <tr><td>14</td><td>9/16</td></tr> <tr><td>15</td><td>19/32</td></tr> <tr><td>17,5</td><td>11/16</td></tr> </tbody> </table>	mm	inch	5	3/16	6	1/4	7	9/32	8	5/16	9	11/32	10	3/8	11	7/16	12,5	1/2	14	9/16	15	19/32	17,5	11/16	<table border="1"> <thead> <tr> <th>mm</th> <th>inch</th> </tr> </thead> <tbody> <tr><td>M</td><td></td></tr> <tr><td>M</td><td></td></tr> <tr><td>M</td><td></td></tr> <tr><td>M</td><td></td></tr> <tr><td>M - H</td><td></td></tr> <tr><td>M</td><td></td></tr> <tr><td>M - H</td><td></td></tr> <tr><td>M</td><td></td></tr> <tr><td>M - H</td><td></td></tr> <tr><td>M - H</td><td></td></tr> </tbody> </table>	mm	inch	M		M		M		M		M - H		M		M - H		M		M - H		M - H		<table border="1"> <tbody> <tr><td>CF 465/1</td></tr> <tr><td>CF 465/1</td></tr> <tr><td>CF 465/1</td></tr> <tr><td>CF 465/2</td></tr> <tr><td>CF 465/3</td></tr> <tr><td>CF 465/3</td></tr> <tr><td>CF 465/4</td></tr> <tr><td>CF 465/5</td></tr> <tr><td>CF 465/6</td></tr> <tr><td>CF 465/6</td></tr> <tr><td>CF 465/6</td></tr> </tbody> </table>	CF 465/1	CF 465/1	CF 465/1	CF 465/2	CF 465/3	CF 465/3	CF 465/4	CF 465/5	CF 465/6	CF 465/6	CF 465/6
mm	inch																																																																																						
10	3/8																																																																																						
12	1/2																																																																																						
14	9/16																																																																																						
16	5/8																																																																																						
18	11/16																																																																																						
20	3/4																																																																																						
22	7/8																																																																																						
25	1																																																																																						
28	1 - 1/8																																																																																						
30	1 - 3/16																																																																																						
35	1 - 3/8																																																																																						
mm	inch																																																																																						
5	3/16																																																																																						
6	1/4																																																																																						
7	9/32																																																																																						
8	5/16																																																																																						
9	11/32																																																																																						
10	3/8																																																																																						
11	7/16																																																																																						
12,5	1/2																																																																																						
14	9/16																																																																																						
15	19/32																																																																																						
17,5	11/16																																																																																						
mm	inch																																																																																						
M																																																																																							
M																																																																																							
M																																																																																							
M																																																																																							
M - H																																																																																							
M																																																																																							
M - H																																																																																							
M																																																																																							
M - H																																																																																							
M - H																																																																																							
CF 465/1																																																																																							
CF 465/1																																																																																							
CF 465/1																																																																																							
CF 465/2																																																																																							
CF 465/3																																																																																							
CF 465/3																																																																																							
CF 465/4																																																																																							
CF 465/5																																																																																							
CF 465/6																																																																																							
CF 465/6																																																																																							
CF 465/6																																																																																							
				<p>A RICHIESTA: GUIDE FUORI MISURA ON REQUEST: ALL THE OTHER SIZES</p>																																																																																			

<p>GO 159</p>	<p>SLIDE FOR ATTACHMENT GO 160, GO 162</p>	<p>SLITTA PER GUIDA G 0160 E G 0162</p>	<p>PLAQUE GLISSIÈRE POUR GUIDE GO 160, GO 162</p>	<p>CORREDERA PARA GUIA GO 160, GO 162</p>
<p>GO 159A</p>  <p>Singer - wide tipe Juki</p>	<p>GO 159B</p>  <p>Singer - narrow tipe Juki</p>	<p>GO 159C</p>  <p>Union Special</p>	<p>GO 159D</p>  <p>Union Special</p>	
<p>GO 159E</p>  <p>Necchi</p>	<p>GO 159F</p>  <p>Brother</p>	<p>GO 159G</p>  <p>Rimoldi</p>		

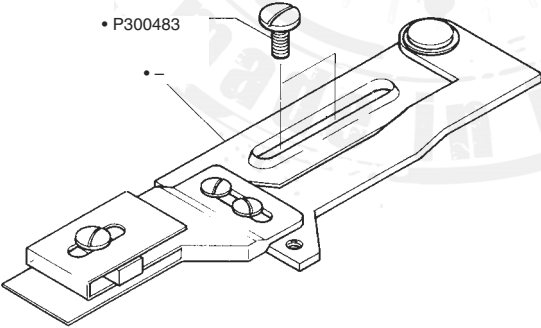

<p>GO 160</p>	<p>LAP SEAM FOLDER</p>	<p>RIBATTITORE</p>	<p>DOUBLE RABATTEUR</p>	<p>GUIA DE SOBRECARGAR</p>																																								
 <p>GO 160</p> <p>• = GO 100 SET</p>	<table border="1"> <tr> <td colspan="2"></td> <td rowspan="2"></td> <td rowspan="2"></td> </tr> <tr> <td>mm</td> <td>inch</td> </tr> <tr> <td>4,8</td> <td>3/16</td> <td>L</td> <td></td> </tr> <tr> <td>4,8</td> <td>3/16</td> <td>M</td> <td></td> </tr> <tr> <td>4,8</td> <td>3/16</td> <td>MH</td> <td></td> </tr> <tr> <td>4,8</td> <td>3/16</td> <td>H</td> <td></td> </tr> <tr> <td>6,4</td> <td>1/4</td> <td>L</td> <td></td> </tr> <tr> <td>6,4</td> <td>1/4</td> <td>M</td> <td></td> </tr> <tr> <td>6,4</td> <td>1/4</td> <td>MH</td> <td></td> </tr> <tr> <td>6,4</td> <td>1/4</td> <td>H</td> <td></td> </tr> <tr> <td>6,4</td> <td>1/4</td> <td>HX</td> <td></td> </tr> </table>					mm	inch	4,8	3/16	L		4,8	3/16	M		4,8	3/16	MH		4,8	3/16	H		6,4	1/4	L		6,4	1/4	M		6,4	1/4	MH		6,4	1/4	H		6,4	1/4	HX		<p>A RICHIESTA: GUIDE FUORI MISURA ON REQUEST: ALL THE OTHER SIZES</p>
																																												
mm	inch																																											
4,8	3/16	L																																										
4,8	3/16	M																																										
4,8	3/16	MH																																										
4,8	3/16	H																																										
6,4	1/4	L																																										
6,4	1/4	M																																										
6,4	1/4	MH																																										
6,4	1/4	H																																										
6,4	1/4	HX																																										
		<p>THE INVERSED LAP SEAM FOLDER GO161 IS AVAILABLE ON REQUEST IL RIBATTITORE INVERSO GO161 VIENE COSTRUITO SU RICHIESTA LE DOUBLE RABATTEUR INVERSE GO161 EST DISPONIBLE SUR COMMANDE LA GUIA DE SOBRECARGAR INVERTIDA GO161 VIENE CONSTRUIDA SOBRE DEMANDA</p>																																										

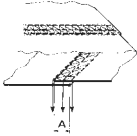
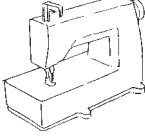
GO 162	LAP SEAM FOLDER WITH PIPING INSERTION	RIBATTITORE CON INSERIMENTO DI PROFILO	DOUBLE REBATEUR AVEC INSERTION DE PASSEPOIL	GUIA DE SOBRECARGAR CON INSERCIÓN DE VIVO
---------------	---	--	---	---

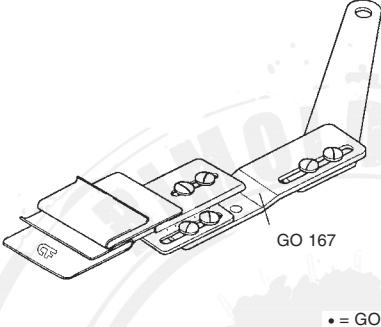

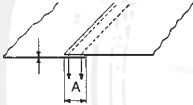
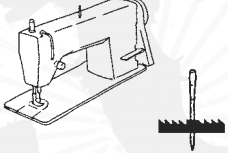
 <p>GO 162</p> <p>• = GO 100 SET</p>																																																										
	<table border="1"> <tr><th>mm</th><th>inch</th></tr> <tr><td>4,8</td><td>3/16</td></tr> <tr><td>4,8</td><td>3/16</td></tr> <tr><td>4,8</td><td>3/16</td></tr> <tr><td>4,8</td><td>3/16</td></tr> <tr><td>6,4</td><td>1/4</td></tr> <tr><td>6,4</td><td>1/4</td></tr> <tr><td>6,4</td><td>1/4</td></tr> <tr><td>6,4</td><td>1/4</td></tr> <tr><td>6,4</td><td>1/4</td></tr> </table>	mm	inch	4,8	3/16	4,8	3/16	4,8	3/16	4,8	3/16	6,4	1/4	6,4	1/4	6,4	1/4	6,4	1/4	6,4	1/4	<table border="1"> <tr><th></th><th>L</th><th>M</th><th>MH</th><th>H</th></tr> <tr><td></td><td>10</td><td>10</td><td>10</td><td>10</td></tr> <tr><td></td><td>3/8</td><td>3/8</td><td>3/8</td><td>3/8</td></tr> </table>		L	M	MH	H		10	10	10	10		3/8	3/8	3/8	3/8	<table border="1"> <tr><th>mm</th><th>inch</th></tr> <tr><td>10</td><td>3/8</td></tr> <tr><td>10</td><td>3/8</td></tr> <tr><td>10</td><td>3/8</td></tr> <tr><td>10</td><td>3/8</td></tr> <tr><td>10</td><td>3/8</td></tr> <tr><td>10</td><td>3/8</td></tr> <tr><td>10</td><td>3/8</td></tr> <tr><td>10</td><td>3/8</td></tr> <tr><td>10</td><td>3/8</td></tr> </table>	mm	inch	10	3/8	10	3/8	10	3/8	10	3/8	10	3/8	10	3/8	10	3/8	10	3/8	10	3/8
mm	inch																																																									
4,8	3/16																																																									
4,8	3/16																																																									
4,8	3/16																																																									
4,8	3/16																																																									
6,4	1/4																																																									
6,4	1/4																																																									
6,4	1/4																																																									
6,4	1/4																																																									
6,4	1/4																																																									
	L	M	MH	H																																																						
	10	10	10	10																																																						
	3/8	3/8	3/8	3/8																																																						
mm	inch																																																									
10	3/8																																																									
10	3/8																																																									
10	3/8																																																									
10	3/8																																																									
10	3/8																																																									
10	3/8																																																									
10	3/8																																																									
10	3/8																																																									
10	3/8																																																									

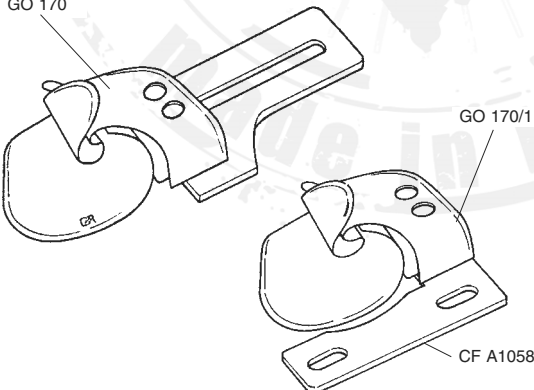

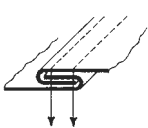
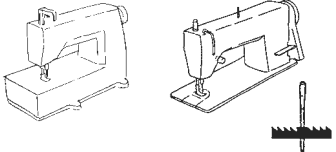
		<p>A RICHIESTA: GUIDE FUORI MISURA ON REQUEST: ALL THE OTHER SIZES</p>
---	---	---

GO 165	ADJUSTABLE ATTACHMENT FOR ASSEMBLING OPERATIONS	GUIDA REGOLABILE PER ASSEMBLAGGIO	GUIDE REGLABLE POUR ASSEMBLAGE DE TISSUS	GUIA REGULABLE PARA EL ENSAMBLAGE
---------------	--	---	--	---

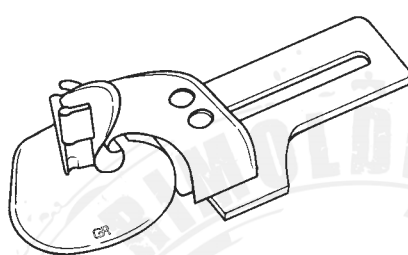

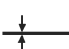

 <p>• P300483</p> <p>• = GO 165</p>	<p>“A”</p> 			
	<p>Adjustable from 0 to 15 mm</p> <p>Adjustable from 0 to 19/32 inch</p>	<p>L - M and H</p>		

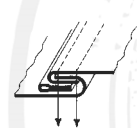
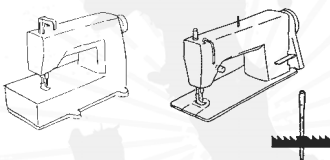
		<p>A RICHIESTA: GUIDE FUORI MISURA ON REQUEST: ALL THE OTHER SIZES</p>
---	---	---

<p>GO 167</p>	<p>ASSEMBLY ATTACHMENT FOR AWNINGS</p>	<p>GUIDA PER ASSEMBLAGGIO TENDE DA SOLE</p>	<p>GUIDE D'ASSEMBLAGE POUR STORES</p>	<p>GUIA PARA ENSAMBLAJE TOLDOS</p>	
 <p>GO 167</p> <p>• = GO 100 SET</p>			<p>“A”</p>  <p>Adjustable from 10 to 28 mm</p> <p>Adjustable from 3/8 to 1-1/8 inch</p>	<p>MH</p>	
		<p>A RICHIESTA: GUIDE FUORI MISURA ON REQUEST: ALL THE OTHER SIZES</p>			

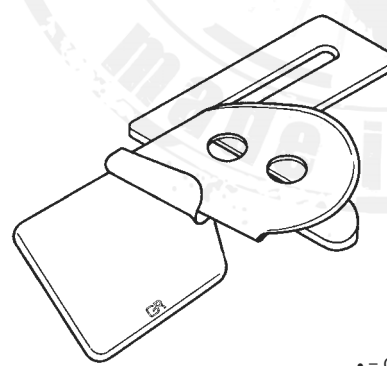


<p>GO 170 GO 170/1</p>	<p>LAP SEAM FOLDER FOR 2 OR 3 NEEDLES FLAT BED MACHINES</p>	<p>RIBATTITORE PER MACCHINE A 2 O 3 AGHI PIANE</p>	<p>DOUBLE RABATTEUR POUR MACHINES PLATES A 2 OU 3 AIGUILLES</p>	<p>GUIA DE SOBRE CARGAR PARA MACHINAS DE PESPUNTE DE 2 O 3 AGUJAS</p>																															
 <p>GO 170</p> <p>GO 170/1</p> <p>CF A1058</p>			 <table border="1"> <thead> <tr> <th>mm</th> <th>inch</th> <th></th> </tr> </thead> <tbody> <tr><td>4,8</td><td>3/16</td><td>L</td></tr> <tr><td>4,8</td><td>3/16</td><td>M</td></tr> <tr><td>4,8</td><td>3/16</td><td>MH</td></tr> <tr><td>4,8</td><td>3/16</td><td>H</td></tr> <tr><td>6,4</td><td>1/4</td><td>L</td></tr> <tr><td>6,4</td><td>1/4</td><td>M</td></tr> <tr><td>6,4</td><td>1/4</td><td>MH</td></tr> <tr><td>6,4</td><td>1/4</td><td>H</td></tr> <tr><td>6,4</td><td>1/4</td><td>HX</td></tr> </tbody> </table>	mm	inch		4,8	3/16	L	4,8	3/16	M	4,8	3/16	MH	4,8	3/16	H	6,4	1/4	L	6,4	1/4	M	6,4	1/4	MH	6,4	1/4	H	6,4	1/4	HX		
mm	inch																																		
4,8	3/16	L																																	
4,8	3/16	M																																	
4,8	3/16	MH																																	
4,8	3/16	H																																	
6,4	1/4	L																																	
6,4	1/4	M																																	
6,4	1/4	MH																																	
6,4	1/4	H																																	
6,4	1/4	HX																																	
 			<p>A RICHIESTA: GUIDE FUORI MISURA ON REQUEST: ALL THE OTHER SIZES</p> <p>THE INVERSED LAP SEAM FOLDER GO171 IS AVAILABLE ON REQUEST IL RIBATTITORE INVERSO GO171 VIENE COSTRUITO SU RICHIESTA LE DOUBLE RABATTEUR INVERSE GO171 EST DISPONIBLE SUR COMMANDE LA GUIA DE SOBRECARGAR INVERTIDA GO171 VIENE CONSTRUIDA SOBRE DEMANDA</p>																																

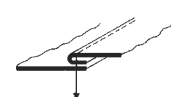
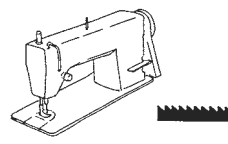
<p>GO 172</p>	<p>LAP SEAM FOLDER WITH PIPING INSERTION</p>	<p>RIBATTITORE CON INSERIMENTO DI PROFILO</p>	<p>DOUBLE RABATTEUR AVEC INSERTION DE PASSEPOIL</p>	<p>GUIA DE SOBRE CARGAR CON INSERCIÓN DE VIVO</p>
----------------------	--	---	---	---

 <p style="text-align: center;">• = GO 100 SET</p>																																																																																																																																					
	<table border="1"> <tr> <th>mm</th> <th>inch</th> </tr> <tr> <td>4,8</td> <td>3/16</td> </tr> <tr> <td>4,8</td> <td>3/16</td> </tr> <tr> <td>4,8</td> <td>3/16</td> </tr> <tr> <td>4,8</td> <td>3/16</td> </tr> <tr> <td>6,4</td> <td>1/4</td> </tr> <tr> <td>6,4</td> <td>1/4</td> </tr> <tr> <td>6,4</td> <td>1/4</td> </tr> <tr> <td>6,4</td> <td>1/4</td> </tr> <tr> <td>6,4</td> <td>1/4</td> </tr> </table>	mm	inch	4,8	3/16	4,8	3/16	4,8	3/16	4,8	3/16	6,4	1/4	6,4	1/4	6,4	1/4	6,4	1/4	6,4	1/4	<table border="1"> <tr> <th></th> <th>L</th> <th>M</th> <th>MH</th> <th>H</th> <th>L</th> <th>M</th> <th>MH</th> <th>H</th> <th>HX</th> </tr> <tr> <td>10</td> <td></td> <td></td> <td></td> <td></td> <td></td> <td></td> <td></td> <td></td> <td></td> </tr> <tr> <td>10</td> <td></td> <td></td> <td></td> <td></td> <td></td> <td></td> <td></td> <td></td> <td></td> </tr> <tr> <td>10</td> <td></td> <td></td> <td></td> <td></td> <td></td> <td></td> <td></td> <td></td> <td></td> </tr> <tr> <td>10</td> <td></td> <td></td> <td></td> <td></td> <td></td> <td></td> <td></td> <td></td> <td></td> </tr> <tr> <td>10</td> <td></td> <td></td> <td></td> <td></td> <td></td> <td></td> <td></td> <td></td> <td></td> </tr> <tr> <td>10</td> <td></td> <td></td> <td></td> <td></td> <td></td> <td></td> <td></td> <td></td> <td></td> </tr> <tr> <td>10</td> <td></td> <td></td> <td></td> <td></td> <td></td> <td></td> <td></td> <td></td> <td></td> </tr> <tr> <td>10</td> <td></td> <td></td> <td></td> <td></td> <td></td> <td></td> <td></td> <td></td> <td></td> </tr> </table>		L	M	MH	H	L	M	MH	H	HX	10										10										10										10										10										10										10										10										<table border="1"> <tr> <th>mm</th> <th>inch</th> </tr> <tr> <td>10</td> <td>3/8</td> </tr> <tr> <td>10</td> <td>3/8</td> </tr> <tr> <td>10</td> <td>3/8</td> </tr> <tr> <td>10</td> <td>3/8</td> </tr> <tr> <td>10</td> <td>3/8</td> </tr> <tr> <td>10</td> <td>3/8</td> </tr> <tr> <td>10</td> <td>3/8</td> </tr> <tr> <td>10</td> <td>3/8</td> </tr> <tr> <td>10</td> <td>3/8</td> </tr> </table>	mm	inch	10	3/8	10	3/8	10	3/8	10	3/8	10	3/8	10	3/8	10	3/8	10	3/8	10	3/8
mm	inch																																																																																																																																				
4,8	3/16																																																																																																																																				
4,8	3/16																																																																																																																																				
4,8	3/16																																																																																																																																				
4,8	3/16																																																																																																																																				
6,4	1/4																																																																																																																																				
6,4	1/4																																																																																																																																				
6,4	1/4																																																																																																																																				
6,4	1/4																																																																																																																																				
6,4	1/4																																																																																																																																				
	L	M	MH	H	L	M	MH	H	HX																																																																																																																												
10																																																																																																																																					
10																																																																																																																																					
10																																																																																																																																					
10																																																																																																																																					
10																																																																																																																																					
10																																																																																																																																					
10																																																																																																																																					
10																																																																																																																																					
mm	inch																																																																																																																																				
10	3/8																																																																																																																																				
10	3/8																																																																																																																																				
10	3/8																																																																																																																																				
10	3/8																																																																																																																																				
10	3/8																																																																																																																																				
10	3/8																																																																																																																																				
10	3/8																																																																																																																																				
10	3/8																																																																																																																																				
10	3/8																																																																																																																																				

		<p>A RICHIESTA: GUIDE FUORI MISURA ON REQUEST: ALL THE OTHER SIZES</p>
---	---	---

<p>GO 173</p>	<p>YOKE ATTACHMENT</p>	<p>GUIDA PER CARRÉ CAMICIA</p>	<p>GUIDE POUR EMPIECEMENT DE CHEMISES</p>	<p>GUIA PARA EL CANESU DE LAS CAMISAS</p>
----------------------	------------------------	------------------------------------	---	---

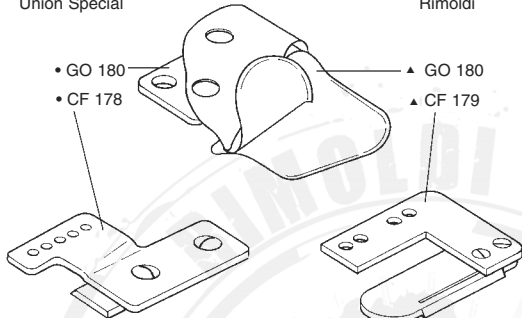
 <p style="text-align: center;">• = GO 100 SET</p>																											
	<table border="1"> <tr> <th>mm</th> <th>inch</th> </tr> <tr> <td>7</td> <td>9/32</td> </tr> <tr> <td>10</td> <td>3/8</td> </tr> <tr> <td>12</td> <td></td> </tr> </table>	mm	inch	7	9/32	10	3/8	12		<table border="1"> <tr> <th></th> <th>L - M</th> <th>L - M - H</th> <th>L - M - H</th> </tr> <tr> <td></td> <td></td> <td></td> <td></td> </tr> <tr> <td></td> <td></td> <td></td> <td></td> </tr> <tr> <td></td> <td></td> <td></td> <td></td> </tr> </table>		L - M	L - M - H	L - M - H													
mm	inch																										
7	9/32																										
10	3/8																										
12																											
	L - M	L - M - H	L - M - H																								



		<p>A RICHIESTA: GUIDE FUORI MISURA ON REQUEST: ALL THE OTHER SIZES</p>
---	---	---

<h2>GO 175 SET</h2>	<p>PNEUMATIC YOKE ATTACHMENT</p>	<p>GUIDA PER CARRE CAMICIA</p>	<p>GUIDE PNEUMATIQUE POUR EMPIECEMENT DE CHEMISES</p>	<p>GUIA PARA CANESU DE CAMISAS</p>		
<p>CF 55680</p> <p>1mm</p> <p>• GO 175</p> <p>• CF 1000</p> <p>• = GO 175 SET</p>			<p>L</p>			
			<p>A RICHIESTA: GUIDE FUORI MISURA ON REQUEST: ALL THE OTHER SIZES</p>			
<h2>GO 176 SET</h2>	<p>PNEUMATIC YOKE ATTACHMENT TO FIT UPPER FEEDER SEWING MACHINES</p>	<p>GUIDA PER ATTACCATURA SPALLE CAMICIA PER MACCHINE A TRASPORTO SUPERIORE</p>	<p>GUIDE PNEUMATIQUE POUR EMPIECEMENT DE CHEMISES SUR MACHINES A ENTRAINEMENT SUPERIEUR</p>	<p>GUIA PARA CANESU DE CAMISAS PARA MAQUINAS DE TRANSPORTE SUPERIOR</p>		
<p>CF 55680/1</p> <p>1mm</p> <p>• GO 176</p> <p>• CF 1000</p> <p>• = GO 176 SET</p>			<p>L M</p>			
			<p>A RICHIESTA: GUIDE FUORI MISURA ON REQUEST: ALL THE OTHER SIZES</p>			

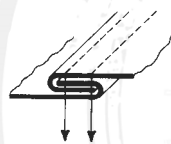
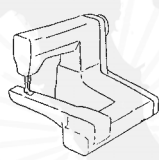
GO 180/1	LAP SEAM FOLDER FOR UNION	RIBATTITORE PER UNION	DOUBLE RABATTEUR POUR UNION	GUIA DE SOBRE CARGAR PARA UNION SPECIAL
GO 180/2	SPECIAL 35800 AND RIMOLDI 184	SPECIAL 35800 E RIMOLDI 184	SPECIAL 35800 ET RIMOLDI 184	35800 Y RIMOLDI 184

• = GO 180/1 Union Special ▲ = GO 180/2 Rimoldi



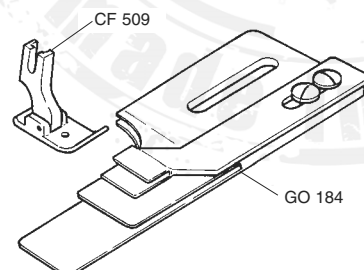
			
mm	inch		
4,8	3/16	L	
4,8	3/16	M	
4,8	3/16	MH	
4,8	3/16	H	
6,4	1/4	L	
6,4	1/4	M	
6,4	1/4	MH	
6,4	1/4	H	
6,4	1/4	HX	



**A RICHIESTA:
GUIDE FUORI MISURA
ON REQUEST:
ALL THE OTHER SIZES**

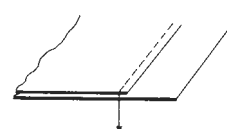
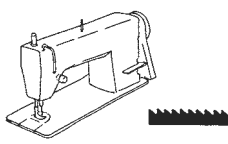



THE INVERSED LAP SEAM FOLDER GO181 IS AVAILABLE ON REQUEST
IL RIBATTITORE INVERSO GO181 VIENE COSTRUITO SU RICHIESTA
LE DOUBLE RABATTEUR INVERSE GO181 EST DISPONIBLE SUR COMMANDE
LA GUIA DE SOBRECARGAR INVERTIDA GO181 VIENE CONSTRUIDA SOBRE DEMANDA

GO 184 SET	GUIDE AND FOOT FOR SHIRT SLEEVE ATTACHING	GUIDA COMPLETA DI PIEDINO PER ATTACCATURA MANICA CAMICIA	GUIDE ET PIED POUR APPLICATION MANCHE DE CHEMISE	GUIA CON PRENSA TELAS PARA APPLICACION MANGA CAMISETA
-------------------	---	--	--	---

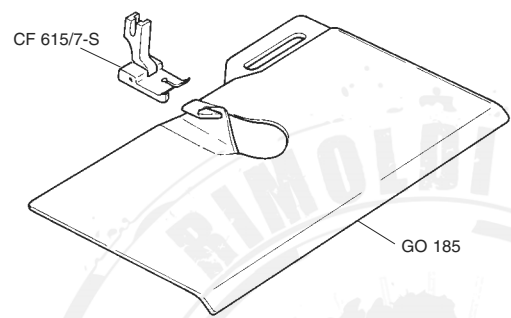


			
Adjustable from 8 to 25 mm	L		
from 5/16 to inch			


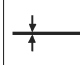
**A RICHIESTA:
GUIDE FUORI MISURA
ON REQUEST:
ALL THE OTHER SIZES**


GO 185 SET	GUIDE AND FOOT FOR SLEEVE TOPSTITCHING	GUIDA COMPLETA DI PIEDINO PER RIBATTITURA MANICA CAMICIA	GUIDE ET PIED POUR PIQUER LE MANCHE DE CHEMISE	GUIDA CON PRENSATELAS PARA SOBRECARGAR MANGA CAMISETA
-------------------	--	--	--	---

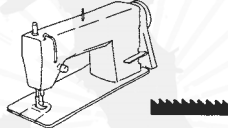


CF 615/7-S

GO 185

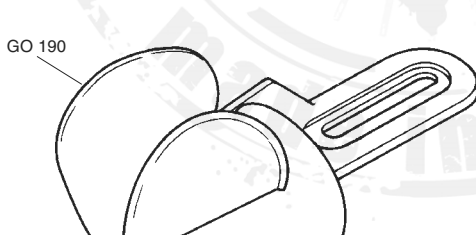
			
mm 10	inch 3/8	L	







**A RICHIESTA:
GUIDE FUORI MISURA
ON REQUEST:
ALL THE OTHER SIZES**

GO 190	LAP SEAM FOLDER FOR 2 NEEDLES FLAT BED PFAFF MACHINES	RIBATTITORE PER MACCHINE PFAFF PIANE A 2 AGHI	DOUBLE RABATTEUR POUR PFAFF 2 AIGUILLES	GUIA DE SOBRE CARGAR PARA MAQUINAS PFAFF PLANAS DE 2 AGUJAS
---------------	---	---	---	---

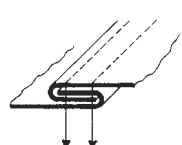


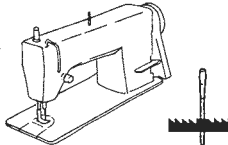
GO 190

• = GO 100 SET

			
mm	inch		
4,8	3/16	L	
4,8	3/16	M	
4,8	3/16	MH	
4,8	3/16	H	
6,4	1/4	L	
6,4	1/4	M	
6,4	1/4	MH	
6,4	1/4	H	
6,4	1/4	HX	

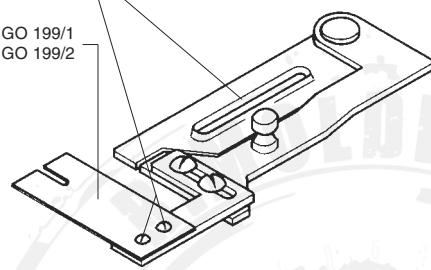
**A RICHIESTA:
GUIDE FUORI MISURA
ON REQUEST:
ALL THE OTHER SIZES**

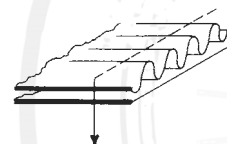
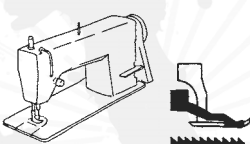




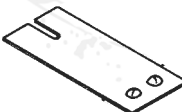
THE INVERSED LAP SEAM FOLDER GO191 IS AVAILABLE ON REQUEST
IL RIBATTITORE INVERSO GO191 VIENE COSTRUITO SU RICHIESTA
LE DOUBLE RABATTEUR INVERSE GO191 EST DISPONIBLE SUR COMMANDE
LA GUIA DE SOBRECARGAR INVERTIDA GO191 VIENE CONSTRUIDA SOBRE DEMANDA

GO 199 A	RUFFLER POR UPPER	ARRICCIATORE PER MACCHINE	FRONCEUR POUR MACHINES A	FRUNCIDORES PARA MACHINAS
GO 199 B	FEED LOCKSTITCH MACHINES	A TRASPORTO SUPERIORE	ENTRAINEMENT SUPERIEUR	CON TRANSPORTE SUPERIOR

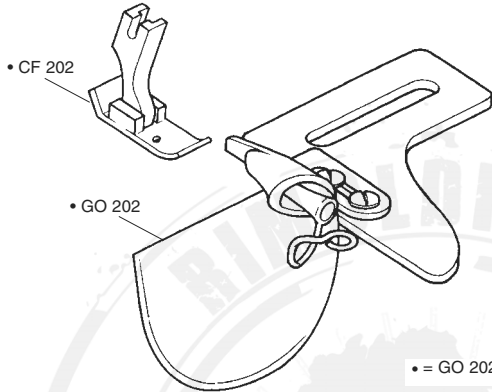



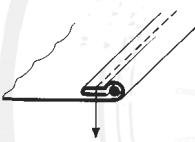
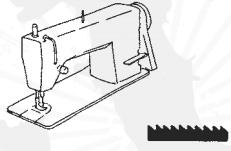
<ul style="list-style-type: none"> • ▲ GO 195 • ▲ CF A1125 • GO 199/1 ▲ GO 199/2  <ul style="list-style-type: none"> • = GO 199B ▲ = GO 199A ZIG ZAG 				

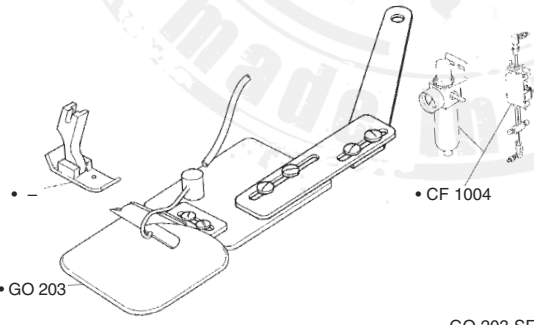



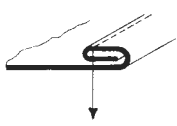
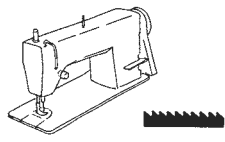
		
---	---	--

GO 199	
---------------	--

	GO 199/1 MM2 GO 199/2 MM3 GO 199/3 MM5

--	--	--

GO 202 SET	CORD HEMMING COMPLETE WITH FOOT	ORLATORE CON CORDA COMPLETO DI PIEDINO	GUIDE ORLEUR AVEC CORDONNET COMPLET AVEC PIED-DE-BICHE	ORILLADOR CON INSERCIÓN DE CORDON CON PRENSATELAS																					
 <p>• CF 202</p> <p>• GO 202</p> <p>• = GO 202 SET</p>			 <table border="1"> <thead> <tr> <th>mm</th> <th>inch</th> </tr> </thead> <tbody> <tr> <td>12</td> <td>15/32</td> </tr> <tr> <td>14</td> <td>9/16</td> </tr> <tr> <td>16</td> <td>5/8</td> </tr> </tbody> </table>	mm	inch	12	15/32	14	9/16	16	5/8	 <table border="1"> <thead> <tr> <th>L</th> </tr> </thead> <tbody> <tr> <td>L</td> </tr> <tr> <td>L</td> </tr> <tr> <td>L</td> </tr> </tbody> </table>	L	L	L	L	 <table border="1"> <thead> <tr> <th>mm</th> <th>inch</th> </tr> </thead> <tbody> <tr> <td>3</td> <td>1/8</td> </tr> <tr> <td>3</td> <td>1/8</td> </tr> <tr> <td>3</td> <td>1/8</td> </tr> </tbody> </table>	mm	inch	3	1/8	3	1/8	3	1/8
mm	inch																								
12	15/32																								
14	9/16																								
16	5/8																								
L																									
L																									
L																									
L																									
mm	inch																								
3	1/8																								
3	1/8																								
3	1/8																								
		<p>A RICHIESTA: GUIDE FUORI MISURA ON REQUEST: ALL THE OTHER SIZES</p>																							

GO 203 SET	AIR JET HEMMER AND FOOT	ORLATORE CON APPARECCHIATURA PNEUMATICA E PIEDINO	OURLEUR AVEC DISPOSITIF PNEUMATIQUE ET PIED-DE-BICHE	ORILLADOR COMPLETO DE PRENSATELAS Y DISPOSITIVO NEUMATICO																
 <p>• GO 203</p> <p>• CF 1004</p> <p>• = GO 203 SET</p>			 <table border="1"> <thead> <tr> <th>mm</th> <th>inch</th> </tr> </thead> <tbody> <tr> <td>4</td> <td>5/32</td> </tr> <tr> <td>6</td> <td>1/4</td> </tr> <tr> <td>10</td> <td>3/8</td> </tr> </tbody> </table>	mm	inch	4	5/32	6	1/4	10	3/8	 <table border="1"> <thead> <tr> <th>M</th> </tr> </thead> <tbody> <tr> <td>M</td> </tr> <tr> <td>M</td> </tr> <tr> <td>M</td> </tr> </tbody> </table>	M	M	M	M	 <table border="1"> <tbody> <tr> <td>CF 504</td> </tr> <tr> <td>CF 506</td> </tr> <tr> <td>CF 510</td> </tr> </tbody> </table>	CF 504	CF 506	CF 510
mm	inch																			
4	5/32																			
6	1/4																			
10	3/8																			
M																				
M																				
M																				
M																				
CF 504																				
CF 506																				
CF 510																				
		<p>A RICHIESTA: GUIDE FUORI MISURA ON REQUEST: ALL THE OTHER SIZES</p>																		

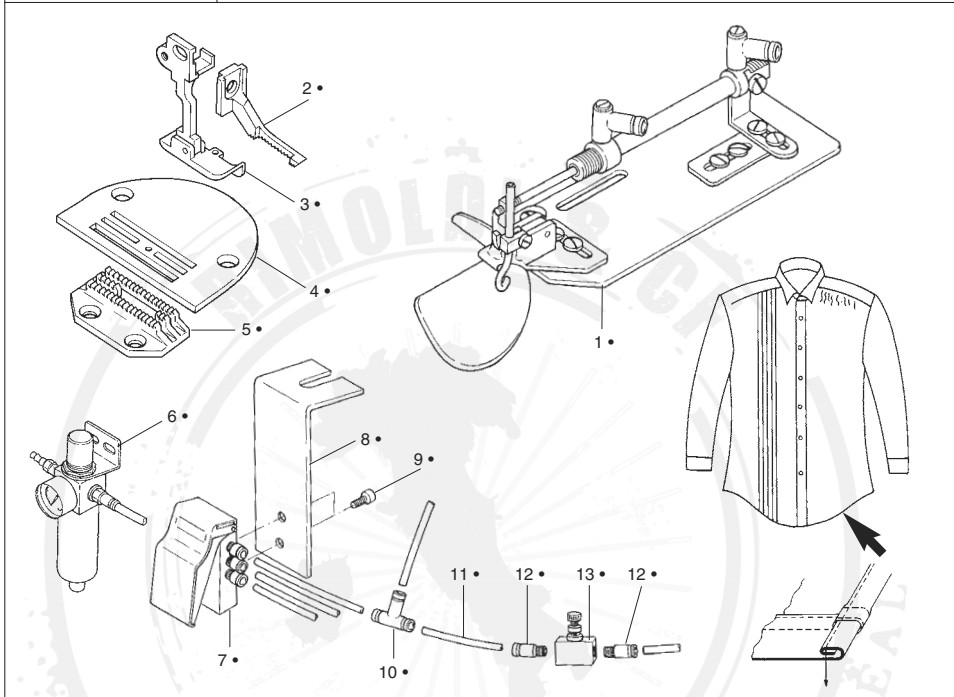
GO 204 SET
= CF U1021

DISENGAGEABLE
HEMMER FOR
SHIRT BOTTOM
HEM



ORLATORE APRIBILE
PER ORLO FONDO
CAMICIA

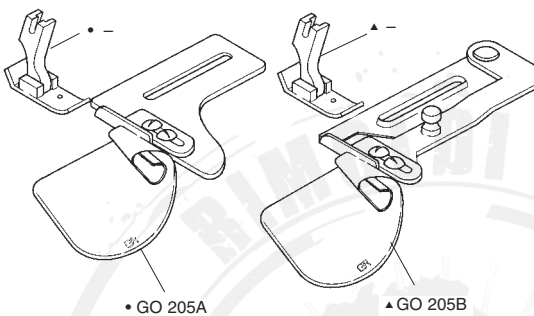
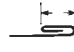



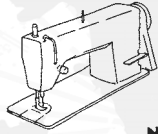
OURLEUR OUBRABLE
POUR OURLET AU
FOND DES
CHEMISES

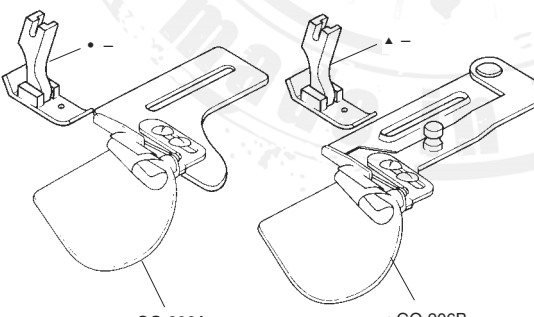



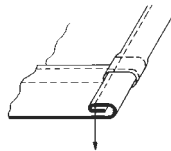
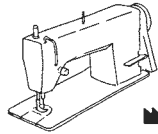
GUIA DESPLAZABLE
PARA ORILLO
CAMISETA


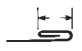
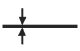
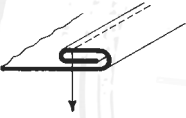
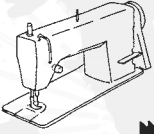
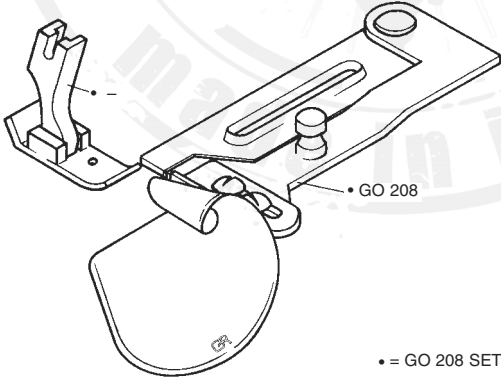



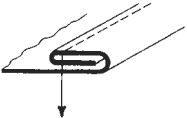
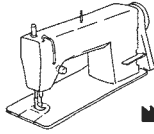


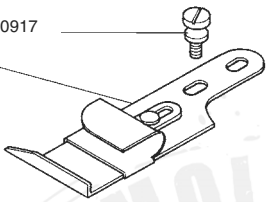
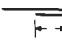
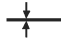
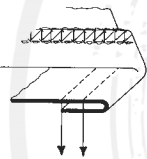
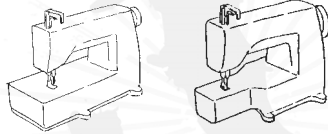
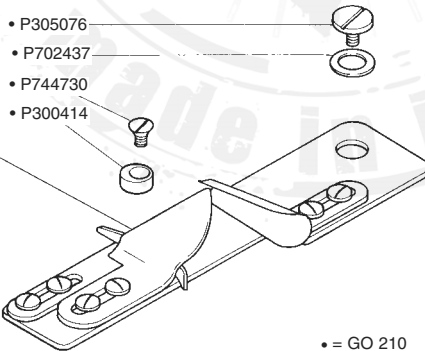


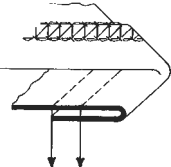
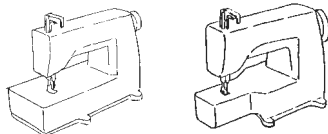
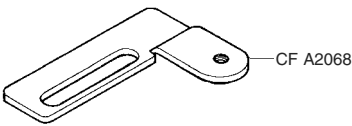
Pos.	Code No. BROTHER B774	Code No. JUKI DLU 5490
•	CF U1021/2	CF U1021/1
1	GO 204	GO 204
2	B 11006	T 51025
3	B 11005	T 51024
4	B 11007	T 51022
5	B 11008	T 51023
6	P923958	P923358
7	CF A1066	CF A1066
8	CF A1067	CF A1067
9	CF A1077	CF A1077
10	CF A2322	CF A2322
11	BM 924886	BM 924886
12	CF A2023	CF A2023
13	P927110	P927110

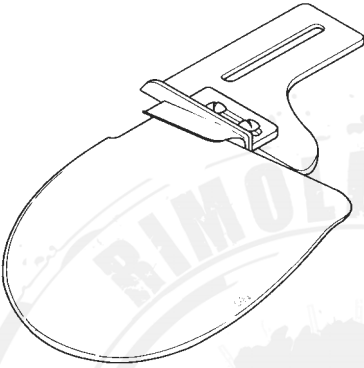
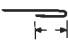

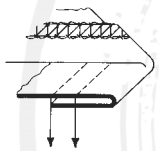
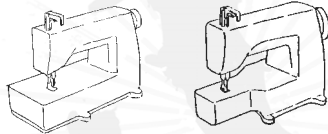
		BROTHER KIT N.	JUKI KIT N.	A RICHIESTA: GUIDE FUORI MISURA ON REQUEST: ALL THE OTHER SIZES
mm 6 8	inch 1/4 5/16	M M	CF U1021/2-1 CF U1021/2-2	

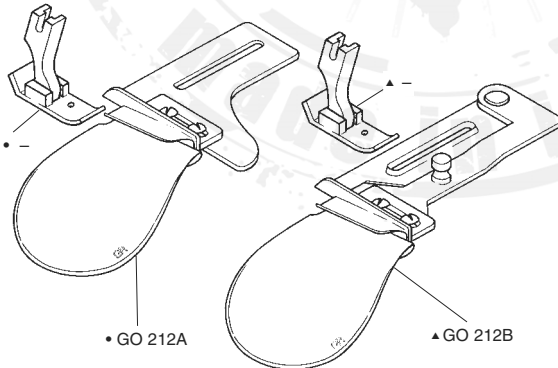



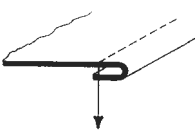
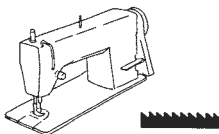
<h3>GO 205 SET</h3>	HEMMER WITH FOOT	ORLATORE CON PIEDINO	GUIDE ORLEUR AVEC PIED-DE-BICHE	ORILLADOR CON PRENSATELAS																																											
<p>• = GO 205A SET ▲ = GO 205B SET</p>  <p>• GO 205A ▲ GO 205B</p>		 <table border="1"> <thead> <tr> <th>mm</th> <th>inch</th> </tr> </thead> <tbody> <tr><td>3</td><td>1/8</td></tr> <tr><td>4</td><td>5/32</td></tr> <tr><td>5</td><td>3/16</td></tr> <tr><td>6</td><td>1/4</td></tr> <tr><td>7</td><td>9/32</td></tr> <tr><td>8</td><td>5/16</td></tr> <tr><td>9</td><td>11/32</td></tr> <tr><td>10</td><td>3/8</td></tr> <tr><td>12</td><td>1/2</td></tr> <tr><td>15</td><td>5/8</td></tr> </tbody> </table>	mm	inch	3	1/8	4	5/32	5	3/16	6	1/4	7	9/32	8	5/16	9	11/32	10	3/8	12	1/2	15	5/8	 <table border="1"> <tbody> <tr><td>L</td></tr> <tr><td>L - M</td></tr> <tr><td>L - M</td></tr> <tr><td>L - M</td></tr> <tr><td>L - M</td></tr> <tr><td>L - M - H</td></tr> <tr><td>L - M</td></tr> <tr><td>L - M - H</td></tr> <tr><td>L - M</td></tr> <tr><td>L - M</td></tr> <tr><td>L - M</td></tr> </tbody> </table>	L	L - M	L - M	L - M	L - M	L - M - H	L - M	L - M - H	L - M	L - M	L - M	 <table border="1"> <tbody> <tr><td>CF 503</td></tr> <tr><td>CF 504</td></tr> <tr><td>CF 505</td></tr> <tr><td>CF 506</td></tr> <tr><td>CF 507</td></tr> <tr><td>CF 508</td></tr> <tr><td>CF 509</td></tr> <tr><td>CF 510</td></tr> <tr><td>CF 512</td></tr> <tr><td>CF 515</td></tr> </tbody> </table>	CF 503	CF 504	CF 505	CF 506	CF 507	CF 508	CF 509	CF 510	CF 512	CF 515
mm	inch																																														
3	1/8																																														
4	5/32																																														
5	3/16																																														
6	1/4																																														
7	9/32																																														
8	5/16																																														
9	11/32																																														
10	3/8																																														
12	1/2																																														
15	5/8																																														
L																																															
L - M																																															
L - M																																															
L - M																																															
L - M																																															
L - M - H																																															
L - M																																															
L - M - H																																															
L - M																																															
L - M																																															
L - M																																															
CF 503																																															
CF 504																																															
CF 505																																															
CF 506																																															
CF 507																																															
CF 508																																															
CF 509																																															
CF 510																																															
CF 512																																															
CF 515																																															
			<p>A RICHIESTA: GUIDE FUORI MISURA ON REQUEST: ALL THE OTHER SIZES</p>																																												

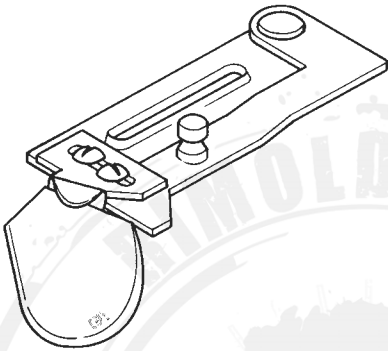
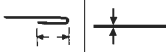
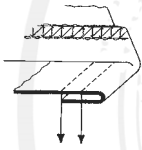
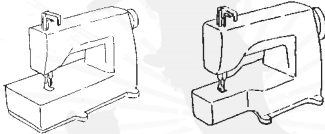
<h3>GO 206 SET</h3>	SPRING HEMMER WITH FOOT	ORLATORE CON MOLLA COMPLETO DI PIEDINO	GUIDE ORLEUR AVEC RESSORT COMPLET AVEC PIED-DE-BICHE	ORILLADOR CON MUELLE COMPLETO DE PRENSATELAS																															
<p>• = GO 206A SET ▲ = GO 206B SET</p>  <p>• GO 206A ▲ GO 206B, 200 SET</p>		 <table border="1"> <thead> <tr> <th>mm</th> <th>inch</th> </tr> </thead> <tbody> <tr><td>3</td><td>1/8</td></tr> <tr><td>4</td><td>5/32</td></tr> <tr><td>5</td><td>3/16</td></tr> <tr><td>6</td><td>1/4</td></tr> <tr><td>8</td><td>5/16</td></tr> <tr><td>10</td><td>3/8</td></tr> <tr><td>12</td><td>1/2</td></tr> </tbody> </table>	mm	inch	3	1/8	4	5/32	5	3/16	6	1/4	8	5/16	10	3/8	12	1/2	 <table border="1"> <tbody> <tr><td>M</td></tr> <tr><td>M</td></tr> <tr><td>M</td></tr> <tr><td>M</td></tr> <tr><td>M</td></tr> <tr><td>M</td></tr> <tr><td>M</td></tr> <tr><td>M</td></tr> </tbody> </table>	M	M	M	M	M	M	M	M	 <table border="1"> <tbody> <tr><td>CF 503</td></tr> <tr><td>CF 504</td></tr> <tr><td>CF 505</td></tr> <tr><td>CF 506</td></tr> <tr><td>CF 508</td></tr> <tr><td>CF 510</td></tr> <tr><td>CF 512</td></tr> </tbody> </table>	CF 503	CF 504	CF 505	CF 506	CF 508	CF 510	CF 512
mm	inch																																		
3	1/8																																		
4	5/32																																		
5	3/16																																		
6	1/4																																		
8	5/16																																		
10	3/8																																		
12	1/2																																		
M																																			
M																																			
M																																			
M																																			
M																																			
M																																			
M																																			
M																																			
CF 503																																			
CF 504																																			
CF 505																																			
CF 506																																			
CF 508																																			
CF 510																																			
CF 512																																			
			<p>A RICHIESTA: GUIDE FUORI MISURA ON REQUEST: ALL THE OTHER SIZES</p>																																

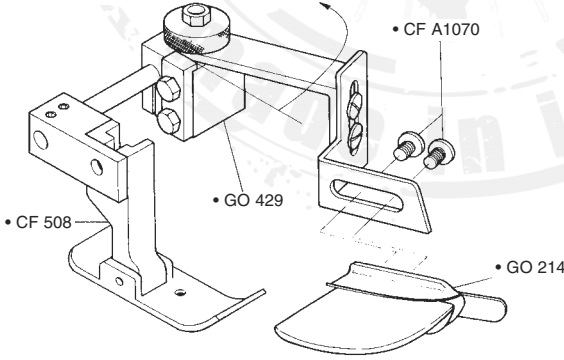
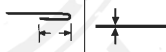

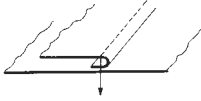
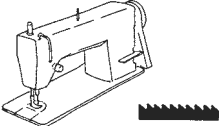
<p>GO 207</p>	<p>HEMMER FOR CURVED AND STRAIGHT POCKETS</p>	<p>ORLATORE PER TASCHE CURVE E DIRITTE</p>	<p>GUIDE OURLEUR POUR POCHES COURBES ET DROITES</p>	<p>ORILLADOR PARA BOLSILLOS CURVOS Y RECTOS</p>																
 <p>GO 207</p> <p>• = GO 200 SET</p>			 <table border="1"> <thead> <tr> <th>mm</th> <th>inch</th> </tr> </thead> <tbody> <tr> <td>10</td> <td>3/8</td> </tr> <tr> <td>12</td> <td>1/2</td> </tr> </tbody> </table>	mm	inch	10	3/8	12	1/2	 <table border="1"> <thead> <tr> <th>H</th> </tr> </thead> <tbody> <tr> <td>H</td> </tr> <tr> <td>H</td> </tr> </tbody> </table>	H	H	H							
mm	inch																			
10	3/8																			
12	1/2																			
H																				
H																				
H																				
		<p>A RICHIESTA: GUIDE FUORI MISURA ON REQUEST: ALL THE OTHER SIZES</p>																		
<p>GO 208 SET</p>	<p>HEMMER FOR BATH-TOWELS WITH FOOT</p>	<p>ORLATORE PER CIMOSA DI SPUGNA CON PIEDINO</p>	<p>GUIDE OURLEUR POUR TISSU- EPONGE AVEC PIED-DE-BICHE</p>	<p>ORILLADOR PARA ACABADOS EN TEJIDO DE RIZO CON PRENSATELAS</p>																
 <p>GO 208</p> <p>• = GO 208 SET</p>			 <table border="1"> <thead> <tr> <th>mm</th> <th>inch</th> </tr> </thead> <tbody> <tr> <td>6</td> <td>1/4</td> </tr> <tr> <td>8</td> <td>5/16</td> </tr> <tr> <td>10</td> <td>3/8</td> </tr> </tbody> </table>	mm	inch	6	1/4	8	5/16	10	3/8	 <table border="1"> <thead> <tr> <th>M</th> </tr> </thead> <tbody> <tr> <td>M</td> </tr> <tr> <td>M</td> </tr> <tr> <td>M</td> </tr> </tbody> </table>	M	M	M	M	 <table border="1"> <tbody> <tr> <td>CF 506</td> </tr> <tr> <td>CF 508</td> </tr> <tr> <td>CF 510</td> </tr> </tbody> </table>	CF 506	CF 508	CF 510
mm	inch																			
6	1/4																			
8	5/16																			
10	3/8																			
M																				
M																				
M																				
M																				
CF 506																				
CF 508																				
CF 510																				
		<p>A RICHIESTA: GUIDE FUORI MISURA ON REQUEST: ALL THE OTHER SIZES</p>																		

<p>GO 209 GO 209/1</p>	<p>HEMMER FOR KNITTED FABRIC</p>	<p>ORLATORE PER MAGLIERIA</p>	<p>RABATTEUR POUR TISSU- A MAILLES</p>	<p>ORILLADOR PARA GENEROS DE PUNTO</p>
<p>• = GO 209</p> <p>• P300917</p> <p>• NF</p>  <p>▲ = GO 209/1</p> <p>▲ P300917</p> <p>▲ NF</p> <p>• = GO 200 SET</p>	 <p>G0209 adjustable from 10 to 20 mm</p>  <p>G0209/1 adjustable from 10 to 30 mm</p>	<p>M</p>		
				
<p>GO 210</p>	<p>SWING AND ADJUSTABLE HEMMER FOR SEWING TUBULAR KNITTED FABRIC</p>	<p>ORLATORE REGOLABILE E SGANCIABILE PER MAGLIERIA A CAPO CHIUSO</p>	<p>RABATTEUR REGLABLE ET ESCAMOTABLE POUR TISSU A MAILLES FERMEES</p>	<p>ORILLADOR REGULABLE Y ABATIBLE PARA GENEROS DE PUNTO A PRENDA CERRADA</p>
<p>• P305076</p> <p>• P702437</p> <p>• P744730</p> <p>• P300414</p> <p>• NF</p>  <p>• = GO 210</p>	 <p>Adjustable from 20 to 35 mm</p>  <p>Adjustable from 3/4 to 1-3/8 inch</p>	<p>MH</p>	<p>A RICHIESTA: GUIDE FUORI MISURA ON REQUEST: ALL THE OTHER SIZES</p>	
			 <p>CF A2068</p>	

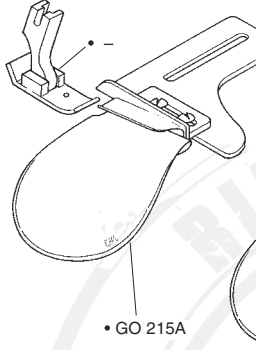
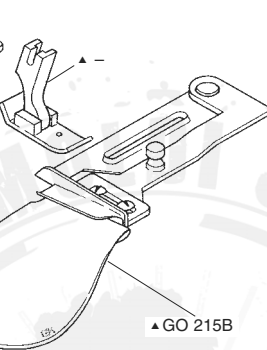



<p>GO 211</p>	<p>HEMMER FOR KNITTED FABRIC</p>	<p>ORLATORE PER MAGLIERIA A CAPO APERTO</p>	<p>RABATTEUR POUR TISSU A MAILLES</p>	<p>ORILLADOR PARA GENEROS DE PUNTO A PRENDA ABIERTA</p>																			
			 <table border="1" data-bbox="704 289 788 404"> <thead> <tr> <th>mm</th> <th>inch</th> <th></th> </tr> </thead> <tbody> <tr> <td>20</td> <td>3/4</td> <td>M - H</td> </tr> <tr> <td>25</td> <td>1</td> <td>M - H</td> </tr> <tr> <td>30</td> <td>1 - 3/16</td> <td>M - H</td> </tr> <tr> <td>35</td> <td>1 - 3/8</td> <td>M - H</td> </tr> <tr> <td>40</td> <td>1 - 9/16</td> <td>M - H</td> </tr> </tbody> </table>	mm	inch		20	3/4	M - H	25	1	M - H	30	1 - 3/16	M - H	35	1 - 3/8	M - H	40	1 - 9/16	M - H		
mm	inch																						
20	3/4	M - H																					
25	1	M - H																					
30	1 - 3/16	M - H																					
35	1 - 3/8	M - H																					
40	1 - 9/16	M - H																					
			<p>A RICHIESTA: GUIDE FUORI MISURA ON REQUEST: ALL THE OTHER SIZES</p>																				


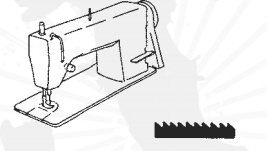
<p>GO 212 SET</p>	<p>DOWNTURN HEMMER WITH FOOT</p>	<p>ORLATORE COMPLETO DI PIEDINO</p>	<p>RABATTEUR AVEC PIED-DE-BICHE</p>	<p>ORILLADOR CON PRENSATELAS</p>																								
<p>• = GO 212A SET ▲ = GO 212B SET</p>  <p>• GO 212A ▲ GO 212B</p>			 <table border="1" data-bbox="704 1015 788 1131"> <thead> <tr> <th>mm</th> <th>inch</th> <th></th> </tr> </thead> <tbody> <tr> <td>6</td> <td>1/4</td> <td>M</td> </tr> <tr> <td>8</td> <td>5/16</td> <td>M</td> </tr> <tr> <td>10</td> <td>3/8</td> <td>M - H</td> </tr> <tr> <td>12</td> <td>1/2</td> <td>M</td> </tr> <tr> <td>15</td> <td>5/8</td> <td>M - H</td> </tr> </tbody> </table>	mm	inch		6	1/4	M	8	5/16	M	10	3/8	M - H	12	1/2	M	15	5/8	M - H		 <table border="1" data-bbox="909 1024 981 1123"> <tbody> <tr> <td>CF 506</td> </tr> <tr> <td>CF 508</td> </tr> <tr> <td>CF 510</td> </tr> <tr> <td>CF 512</td> </tr> <tr> <td>CF 515</td> </tr> </tbody> </table>	CF 506	CF 508	CF 510	CF 512	CF 515
mm	inch																											
6	1/4	M																										
8	5/16	M																										
10	3/8	M - H																										
12	1/2	M																										
15	5/8	M - H																										
CF 506																												
CF 508																												
CF 510																												
CF 512																												
CF 515																												
			<p>A RICHIESTA: GUIDE FUORI MISURA ON REQUEST: ALL THE OTHER SIZES</p>																									

<p>GO 213</p>	<p>DOWNTURN HEMMER FOR KNITTED GOODS, T-SHIRTS, ETC.</p>	<p>ORLATORE PER "GIRO COLLO" MAGLIETTE</p>	<p>GUIDE RABATTEUR SIMPLE POUR ARTICLES EN MAILLE COURVES</p>	<p>ORILLADOR PARA EL ACABADO DEL CUELLO</p>									
			 <table border="1" data-bbox="704 289 788 355"> <tr> <td>mm</td> <td>inch</td> <td></td> </tr> <tr> <td>10</td> <td>3/8</td> <td>M</td> </tr> <tr> <td>12</td> <td>1/2</td> <td>M</td> </tr> </table>	mm	inch		10	3/8	M	12	1/2	M	
mm	inch												
10	3/8	M											
12	1/2	M											
			<p>A RICHIESTA: GUIDE FUORI MISURA ON REQUEST: ALL THE OTHER SIZES</p>										

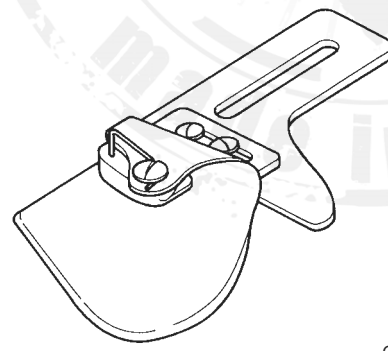


<p>GO 214 SET</p>	<p>DOWNTURN HEMMER WITH BRACKET AND FOOT</p>	<p>ORLATORE COMPLETO DI ATTACCO E PIEDINO</p>	<p>GUIDE RABATTEUR AVEC FIXATION ET PIED-DE-BICHE</p>	<p>ORILLADOR CON MONTAJE Y PRENSATELAS</p>						
<p>• = GO 214 SET</p> 			 <table border="1" data-bbox="704 1007 788 1057"> <tr> <td>mm</td> <td>inch</td> <td></td> </tr> <tr> <td>8</td> <td>5/16</td> <td>M</td> </tr> </table>	mm	inch		8	5/16	M	 <p>CF 508</p>
mm	inch									
8	5/16	M								
			<p>A RICHIESTA: GUIDE FUORI MISURA ON REQUEST: ALL THE OTHER SIZES</p>							

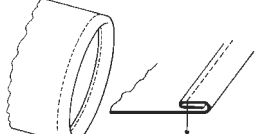
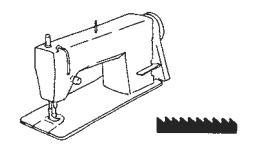
<p>GO 215 SET</p>	<p>DOWNTURN HEMMER WITH FOOT</p>	<p>ORLATORE COMPLETO DI PIEDINO</p>	<p>GUIDE OURLEUR AVEC PIED-DE-BICHE</p>	<p>ORILLADOR CON PRENSATELAS</p>
--------------------------	--	---	---	--------------------------------------

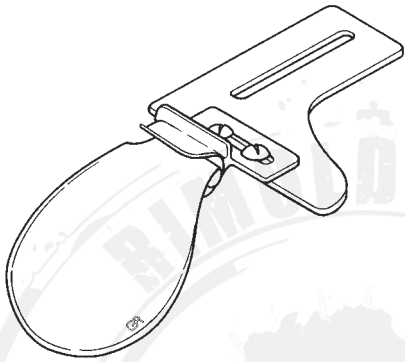

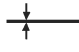
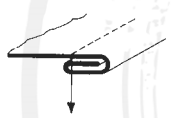
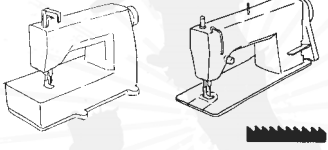
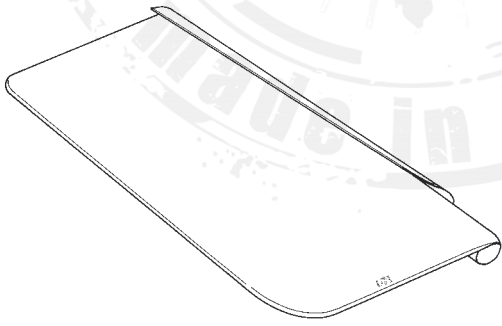


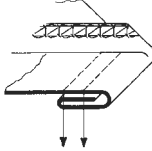
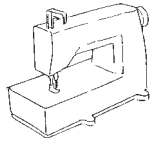
<p>• = GO 215A SET</p>  <p>• GO 215A</p>	<p>▲ = GO 215B SET</p>  <p>▲ GO 215B</p>	 <table border="1"> <thead> <tr> <th>mm</th> <th>inch</th> </tr> </thead> <tbody> <tr><td>6</td><td>1/4</td></tr> <tr><td>7</td><td>9/32</td></tr> <tr><td>8</td><td>5/16</td></tr> <tr><td>9</td><td>11/32</td></tr> <tr><td>10</td><td>3/8</td></tr> <tr><td>12</td><td>1/2</td></tr> <tr><td>15</td><td>5/8</td></tr> </tbody> </table>	mm	inch	6	1/4	7	9/32	8	5/16	9	11/32	10	3/8	12	1/2	15	5/8	 <table border="1"> <tbody> <tr><td>MH</td></tr> <tr><td>MH</td></tr> <tr><td>MH</td></tr> <tr><td>MH</td></tr> <tr><td>MH</td></tr> <tr><td>MH</td></tr> <tr><td>MH</td></tr> <tr><td>MH</td></tr> </tbody> </table>	MH	MH	MH	MH	MH	MH	MH	MH	 <table border="1"> <tbody> <tr><td>CF 506</td></tr> <tr><td>CF 507</td></tr> <tr><td>CF 508</td></tr> <tr><td>CF 509</td></tr> <tr><td>CF 510</td></tr> <tr><td>CF 512</td></tr> <tr><td>CF 515</td></tr> </tbody> </table>	CF 506	CF 507	CF 508	CF 509	CF 510	CF 512	CF 515	
mm	inch																																			
6	1/4																																			
7	9/32																																			
8	5/16																																			
9	11/32																																			
10	3/8																																			
12	1/2																																			
15	5/8																																			
MH																																				
MH																																				
MH																																				
MH																																				
MH																																				
MH																																				
MH																																				
MH																																				
CF 506																																				
CF 507																																				
CF 508																																				
CF 509																																				
CF 510																																				
CF 512																																				
CF 515																																				

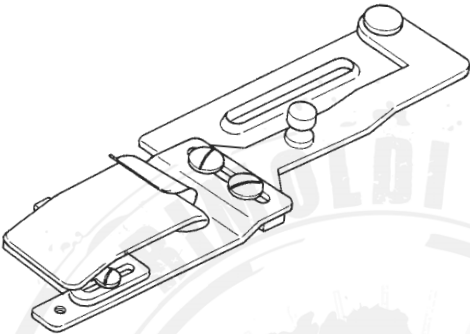

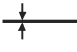
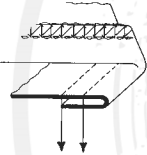
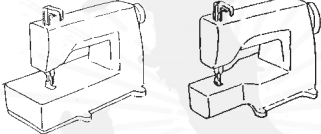
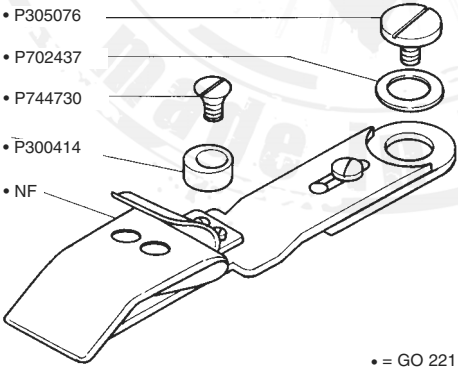


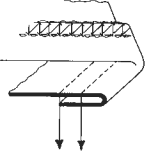
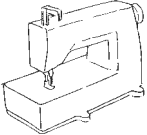
		<p>A RICHIESTA: GUIDE FUORI MISURA ON REQUEST: ALL THE OTHER SIZES</p>
---	---	---

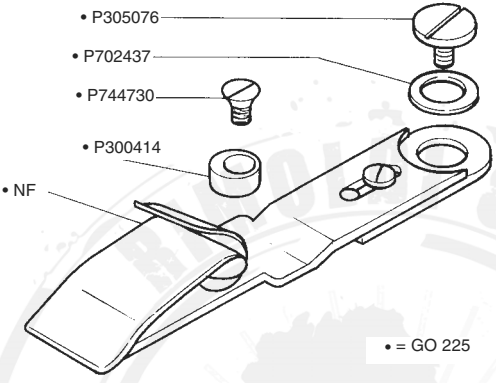
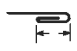
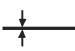
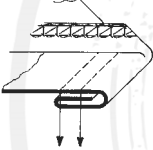
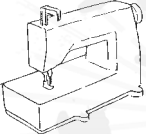
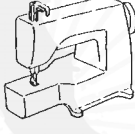
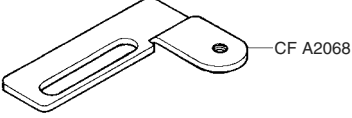
<p>GO 216</p>	<p>SWINGABLE SPRING HEMMER FOR TUBULAR GARMENTS</p>	<p>ORLATORE CON MOLLA SGANCIAMENTO PER LAVORAZIONI A CAPO CHIUSO</p>	<p>OURLEUR AVEC RESSORT ESCAMOTABLE POUR VETEMENTS FINIS</p>	<p>ORILLADOR CON MUELLE ABATIBLE PARA PRENDA CERRADA</p>
----------------------	---	--	--	--

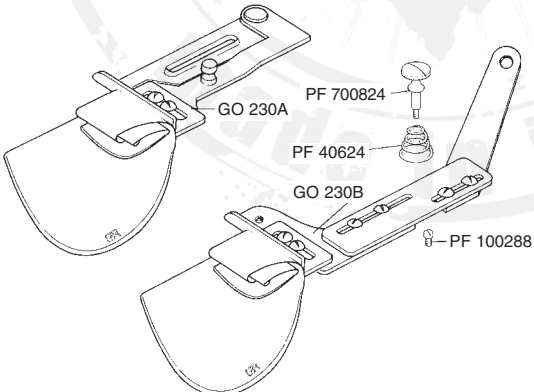


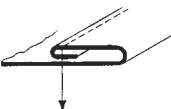
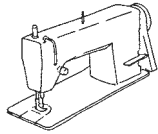

 <p>• = GO 200 SET</p>	 <table border="1"> <thead> <tr> <th>mm</th> <th>inch</th> </tr> </thead> <tbody> <tr><td>10</td><td>3/8</td></tr> <tr><td>10</td><td>3/8</td></tr> <tr><td>14</td><td>9/16</td></tr> <tr><td>14</td><td>9/16</td></tr> </tbody> </table>	mm	inch	10	3/8	10	3/8	14	9/16	14	9/16	 <table border="1"> <tbody> <tr><td>M</td></tr> <tr><td>H</td></tr> <tr><td>M</td></tr> <tr><td>H</td></tr> </tbody> </table>	M	H	M	H	
mm	inch																
10	3/8																
10	3/8																
14	9/16																
14	9/16																
M																	
H																	
M																	
H																	

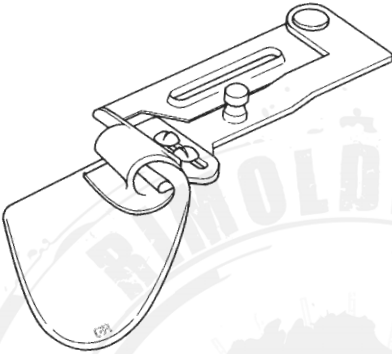
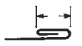
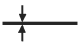
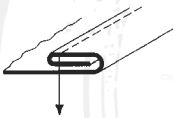
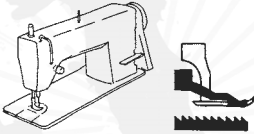
		<p>A RICHIESTA: GUIDE FUORI MISURA ON REQUEST: ALL THE OTHER SIZES</p>
---	---	---

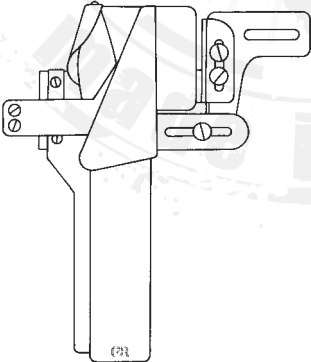


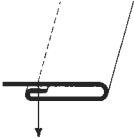
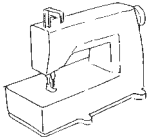
<p>GO 217</p>	<p>DOWNTURN HEMMER FOR CURVED AND STRAIGHT POCKETS</p>	<p>ORLATORE PER TASCHE CURVE E DIRITTE</p>	<p>GUIDE OURLEUR POUR POCHES COURBES ET DROITES</p>	<p>ORILLADOR PARA BOLSILLOS CURVOS Y RECTOS</p>																			
			 <table border="1"> <tr> <td>mm</td> <td>inch</td> <td></td> </tr> <tr> <td>8</td> <td>5/16</td> <td>H</td> </tr> <tr> <td>10</td> <td>3/8</td> <td>H</td> </tr> <tr> <td>12</td> <td>1/2</td> <td>H</td> </tr> </table>	mm	inch		8	5/16	H	10	3/8	H	12	1/2	H	 <table border="1"> <tr> <td></td> <td>H</td> </tr> <tr> <td></td> <td>H</td> </tr> <tr> <td></td> <td>H</td> </tr> </table>		H		H		H	
mm	inch																						
8	5/16	H																					
10	3/8	H																					
12	1/2	H																					
	H																						
	H																						
	H																						
			<p>A RICHIESTA: GUIDE FUORI MISURA ON REQUEST: ALL THE OTHER SIZES</p>																				
<p>GO 219</p>	<p>DOWNTURN HEMMER FOR JEANS PATCH-POCKETS</p>	<p>ORLATORE PER TASCHE DIRITTE DROITES</p>	<p>GUIDE OURLEUR POUR POCHES RECTOS</p>	<p>ORILLADOR PARA BOLSILLOS</p>																			
			 <table border="1"> <tr> <td>mm</td> <td>inch</td> <td></td> </tr> <tr> <td>12</td> <td>1/2</td> <td>H</td> </tr> </table>	mm	inch		12	1/2	H	 <table border="1"> <tr> <td></td> <td>H</td> </tr> </table>		H											
mm	inch																						
12	1/2	H																					
	H																						
			<p>A RICHIESTA: GUIDE FUORI MISURA ON REQUEST: ALL THE OTHER SIZES</p>																				

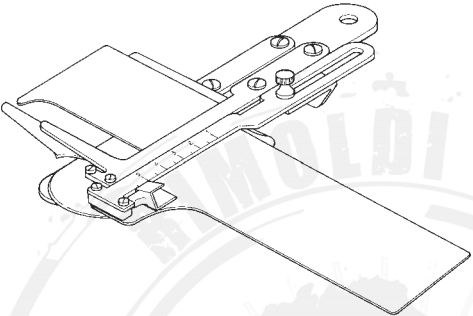
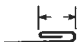
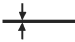
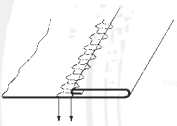
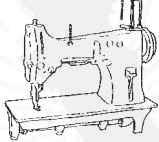
<p>GO 220</p>	<p>DOWNTURN SWING HEMMER</p>	<p>ORLATORE SGANCIABILE</p>	<p>GUIDE OURLEUR ESCAMOTABLE</p>	<p>ORILLADOR ABATIBLE</p>	
			 <p>from 8 mm to 35 mm from 5/16 to 1-3/8 inch</p>	 <p>M</p>	
			<p>A RICHIESTA: GUIDE FUORI MISURA ON REQUEST: ALL THE OTHER SIZES</p>		
<p>GO 221</p>	<p>DOWNTURN SWING AND ADJUSTABLE HEMMER FOR KNITTED FABRIC</p>	<p>ORLATORE REGOLABILE E SGANCIABILE PER MAGLIERIA</p>	<p>GUIDE RABATTEUR REGLABLE ET ESCAMOTABLE</p>	<p>ORILLADOR REGULABLE Y ABATIBLE PARA GENEROS DE PUNTO</p>	
 <ul style="list-style-type: none"> • P305076 • P702437 • P744730 • P300414 • NF <p>• = GO 221</p>			 <p>Adjustable from 8 to 15 mm Adjustable from 5/6 to 5/8 inch</p>	 <p>M</p>	
			<p>A RICHIESTA: GUIDE FUORI MISURA ON REQUEST: ALL THE OTHER SIZES</p>		

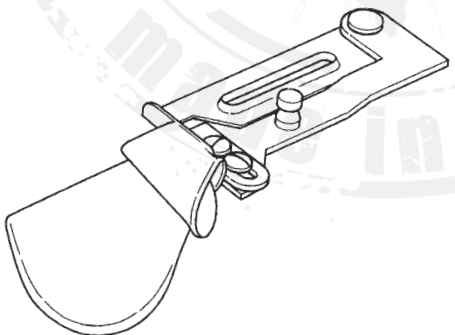


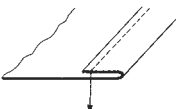
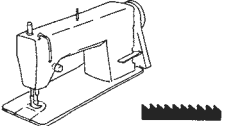
<p>GO 225</p>	<p>DOWNTURN SWING HEMMER</p>	<p>ORLATORE SGANCIABILE</p>	<p>GUIDE OURLEUR ESCAMOTABLE</p>	<p>ORILLADOR ABATIBLE</p>													
 <ul style="list-style-type: none"> • P305076 • P702437 • P744730 • P300414 • NF <p>• = GO 225</p>			 <table border="1"> <tr> <td>mm</td> <td>inch</td> <td></td> </tr> <tr> <td>8</td> <td>5/16</td> <td>M - H</td> </tr> <tr> <td>10</td> <td>3/8</td> <td>M - H</td> </tr> <tr> <td>12</td> <td>1/2</td> <td>M - H</td> </tr> </table>	mm	inch		8	5/16	M - H	10	3/8	M - H	12	1/2	M - H		
mm	inch																
8	5/16	M - H															
10	3/8	M - H															
12	1/2	M - H															
<p>A RICHIESTA: GUIDE FUORI MISURA ON REQUEST: ALL THE OTHER SIZES</p>																	
																	

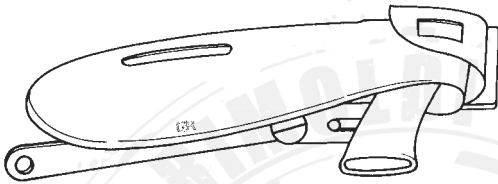

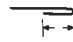
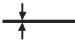
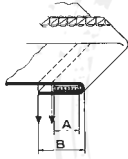
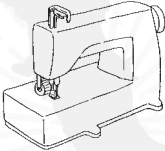
<p>GO 230</p>	<p>SWING HEMMER</p>	<p>ORLATORE SGANCIABILE</p>	<p>GUIDE OURLEUR ESCAMOTABLE</p>	<p>ORILLADOR ABATIBLE</p>																																				
 <p>GO 230A PF 700824</p> <p>PF 40624</p> <p>GO 230B PF 100288</p>			 <table border="1"> <tr> <th colspan="2">GO 230A</th> <th colspan="2">GO 230B</th> <td></td> </tr> <tr> <td>mm</td> <td>inch</td> <td>mm</td> <td>inch</td> <td></td> </tr> <tr> <td>15</td> <td>19/32</td> <td>30</td> <td>1 - 3/16</td> <td>M</td> </tr> <tr> <td>18</td> <td>23/32</td> <td>35</td> <td>1 - 3/8</td> <td>M</td> </tr> <tr> <td>20</td> <td>35/32</td> <td>40</td> <td>1 - 9/16</td> <td>M</td> </tr> <tr> <td>22</td> <td>7/8</td> <td>45</td> <td>1 - 3/4</td> <td>M</td> </tr> <tr> <td>25</td> <td>1</td> <td>50</td> <td>2</td> <td>M</td> </tr> </table>	GO 230A		GO 230B			mm	inch	mm	inch		15	19/32	30	1 - 3/16	M	18	23/32	35	1 - 3/8	M	20	35/32	40	1 - 9/16	M	22	7/8	45	1 - 3/4	M	25	1	50	2	M		
GO 230A		GO 230B																																						
mm	inch	mm	inch																																					
15	19/32	30	1 - 3/16	M																																				
18	23/32	35	1 - 3/8	M																																				
20	35/32	40	1 - 9/16	M																																				
22	7/8	45	1 - 3/4	M																																				
25	1	50	2	M																																				
			<p>A RICHIESTA: GUIDE FUORI MISURA ON REQUEST: ALL THE OTHER SIZES</p>																																					

GO 231	SWING HEMMER FOR BATH WRAPS	ORLATORE PER SPUGNA	GUIDE OURLEUR POUR TISSU EPONGE	ORILLADOR DOBLE PARA TEJIDO DE RIZO																												
																																
		<table border="1"> <thead> <tr> <th>mm</th> <th>inch</th> <th></th> </tr> </thead> <tbody> <tr><td>12</td><td>1/2</td><td>XH</td></tr> <tr><td>15</td><td>5/8</td><td>XH</td></tr> <tr><td>20</td><td>3/4</td><td>XH</td></tr> <tr><td>25</td><td>1</td><td>XH</td></tr> <tr><td>30</td><td>1-3/16</td><td>XH</td></tr> <tr><td>35</td><td>1-3/8</td><td>XH</td></tr> <tr><td>40</td><td>1-9/16</td><td>XH</td></tr> <tr><td>45</td><td>1-3/4</td><td>XH</td></tr> <tr><td>50</td><td>2</td><td>XH</td></tr> </tbody> </table>	mm	inch		12	1/2	XH	15	5/8	XH	20	3/4	XH	25	1	XH	30	1-3/16	XH	35	1-3/8	XH	40	1-9/16	XH	45	1-3/4	XH	50	2	XH
mm	inch																															
12	1/2	XH																														
15	5/8	XH																														
20	3/4	XH																														
25	1	XH																														
30	1-3/16	XH																														
35	1-3/8	XH																														
40	1-9/16	XH																														
45	1-3/4	XH																														
50	2	XH																														
		<p>A RICHIESTA: GUIDE FUORI MISURA ON REQUEST: ALL THE OTHER SIZES</p>																														

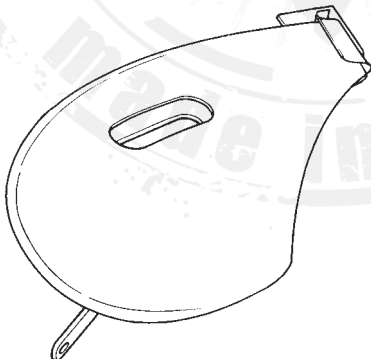



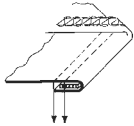
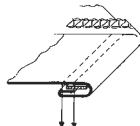
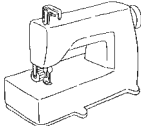
GO 232	ADJUSTABLE DOWNTURN HEMMER	ORLATORE REGOLABILE	GUIDE OURLEUR REGLABLE	ORILLADOR REGULABLE
				
		<p>Adjustable from 30 to 65 mm</p> <p>Adjustable from 1-3/16 to 2-9/16 inch</p>	M	
		<p>A RICHIESTA: GUIDE FUORI MISURA ON REQUEST: ALL THE OTHER SIZES</p>		

<p>GO 233</p>	<p>ADJUSTABLE HEMMER FOR OPEN-STITCH MACHINES</p>	<p>ORLATORE REGOLABILE PER MACCHINE PUNTO A GIORNO</p>	<p>GUIDE OURLEUR REGLABLE POUR MACHINES A JOUR</p>	<p>ORILLADOR REGULABLE PARA MAQUINAS DE PUNTO DE ADORNO</p>	
					
			<p>GO 233A Adjustable from 10 to 40 mm</p>	<p>GO 233B Adjustable from 40 to 80 mm</p>	<p>M</p>
			<p>Adjustable from 3/8 to 1-3/16 inch</p>	<p>Adjustable from 1-9/16 to 3-1/8 inch</p>	
		<p>A RICHIESTA: GUIDE FUORI MISURA ON REQUEST: ALL THE OTHER SIZES</p>			

<p>GO 234</p>	<p>SWINGABLE SINGLE HEMMER FOR STIFF OR PLASTIC MATERIAL</p>	<p>ORLATORE SEMPLICE SGANCIABILE PER MATERIALI PLASTICI O RIGIDI</p>	<p>OURLEUR SIMPLE ESCAMOTABLE POUR TISSUS RIGIDES OU EN PLASTIQUE</p>	<p>ORILLADOR SIMPLE ABATIBLE PARA MATERIALES PLASTICOS O RIGIDOS</p>	
					
			<p>mm inch 15 5/8 20 3/4 25 1 30 1-3/16</p>	<p>XH XH XH XH</p>	
		<p>A RICHIESTA: GUIDE FUORI MISURA ON REQUEST: ALL THE OTHER SIZES</p>			

<p>GO 245</p>	<p>SINGLE DOWNTURN ELASTIC HEMMER</p>	<p>GUIDA PASSAELASTICO CON ORLO SEMPLICE</p>	<p>GUIDE SIMPLE RABATTEUR POUR LA POSE D' ELASTIQUE</p>	<p>GUIA PASAGOMAS CON ORILLA SIMPLE</p>																																								
		  		<table border="1"> <thead> <tr> <th>mm</th> <th>inch</th> <th>mm</th> <th>inch</th> <th></th> </tr> </thead> <tbody> <tr> <td>6</td> <td>1/4</td> <td>10</td> <td>3/8</td> <td>L</td> </tr> <tr> <td>6</td> <td>1/4</td> <td>11</td> <td>7/16</td> <td>M</td> </tr> <tr> <td>6</td> <td>1/4</td> <td>13</td> <td>1/2</td> <td>H</td> </tr> <tr> <td>8-12</td> <td>5/16-1/2</td> <td>16</td> <td>5/8</td> <td>M - H</td> </tr> <tr> <td>12-16</td> <td>1/2-5/8</td> <td>20</td> <td>3/4</td> <td>M - H</td> </tr> <tr> <td>18-23</td> <td>11/16-15/16</td> <td>27</td> <td>1-1/16</td> <td>M - H</td> </tr> <tr> <td>23-26</td> <td>29/32-1</td> <td>30</td> <td>1-3/16</td> <td>M - H</td> </tr> </tbody> </table>	mm	inch	mm	inch		6	1/4	10	3/8	L	6	1/4	11	7/16	M	6	1/4	13	1/2	H	8-12	5/16-1/2	16	5/8	M - H	12-16	1/2-5/8	20	3/4	M - H	18-23	11/16-15/16	27	1-1/16	M - H	23-26	29/32-1	30	1-3/16	M - H
mm	inch	mm	inch																																									
6	1/4	10	3/8	L																																								
6	1/4	11	7/16	M																																								
6	1/4	13	1/2	H																																								
8-12	5/16-1/2	16	5/8	M - H																																								
12-16	1/2-5/8	20	3/4	M - H																																								
18-23	11/16-15/16	27	1-1/16	M - H																																								
23-26	29/32-1	30	1-3/16	M - H																																								
		<p>A RICHIESTA: GUIDE FUORI MISURA ON REQUEST: ALL THE OTHER SIZES</p>																																										

2

<p>GO 247/1 GO 247/2</p>	<p>DOWNTURN ELASTIC HEMMER FOR LEGGING PANTS</p>	<p>GUIDA PASSAELASTICO PER GAMBALE SLIP</p>	<p>GUIDE POUR LA POSE D' ELASTIQUE SUR LES SLIP</p>	<p>GUIA PASAGOMAS PARA SLIP</p>																				
		  		<table border="1"> <thead> <tr> <th>mm</th> <th>inch</th> <th>mm</th> <th>inch</th> <th></th> </tr> </thead> <tbody> <tr> <td>6</td> <td>1/4</td> <td>8</td> <td>5/16</td> <td>M</td> </tr> <tr> <td>8</td> <td>5/16</td> <td>10</td> <td>3/8</td> <td>M</td> </tr> <tr> <td>10</td> <td>3/8</td> <td>12</td> <td>15/32</td> <td>M</td> </tr> </tbody> </table>	mm	inch	mm	inch		6	1/4	8	5/16	M	8	5/16	10	3/8	M	10	3/8	12	15/32	M
mm	inch	mm	inch																					
6	1/4	8	5/16	M																				
8	5/16	10	3/8	M																				
10	3/8	12	15/32	M																				
<p>GO 247/1</p> 	<p>GO 247/2</p> 		<p>A RICHIESTA: GUIDE FUORI MISURA ON REQUEST: ALL THE OTHER SIZES</p>																					

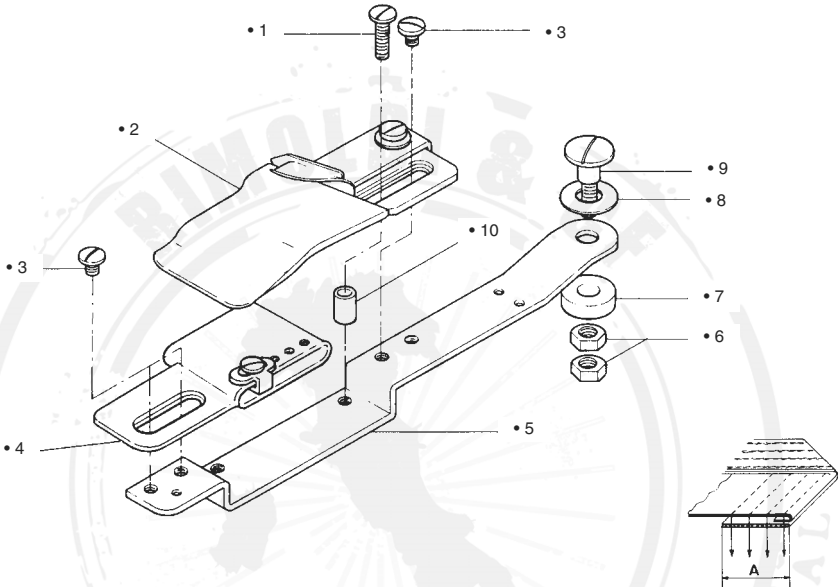
GO 248 SET

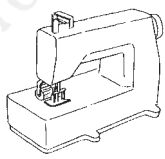
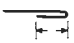
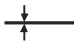
HEMMER FOR
WAIST BAND
WITH ELASTIC

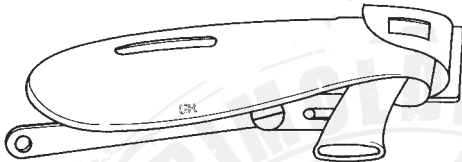



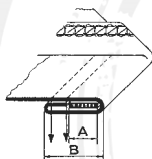
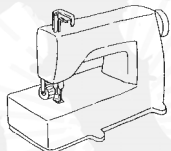
ORLATORE PER
CINTURE CON
ELASTICO

RABATTEUR POUR
CEINTURE AVEC
INSERTION D' ELASTIQUE

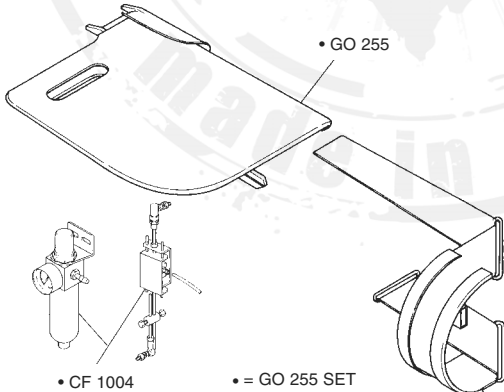



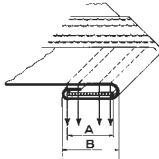
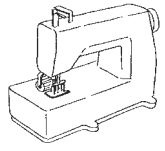
ORILLADOR
PARA PRETINAS
CON ELASTICO

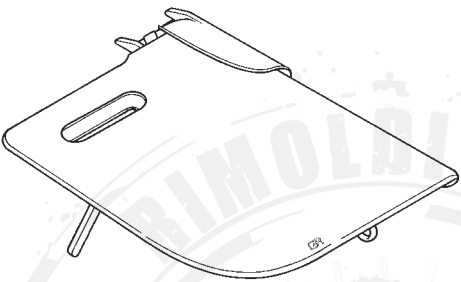

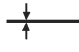


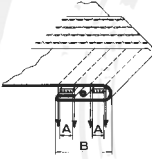
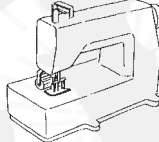
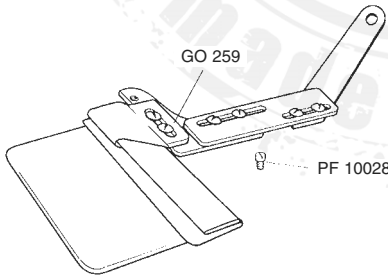


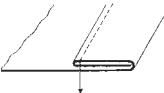
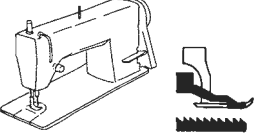


Pos.	Code No. UNION SPECIAL	Code No. RIMOLDI	Code No. KANSAI		
•	GO 248/1 SET	GO 248/2 SET	GO 248/3 SET		
1	CF A2070	CF A2070	CF A2070		
2	GO 246	GO 246	GO 246		
3	CF A2012	CF A2073	CF A2012		
4	GO 249/1	GO 249/2	GO 249/1		
5	GO 428	GO 427	GO 426		
6	P746407	-	-		
7	CF A2066	-	-		
8	P702437	-	-		
9	CF A2067	-	-		
10	CF A2071	CF A2071	CF A2071		
			"A" RIMOLDI	"A" KANSAI - UNION SPECIAL	
	mm inch 10 3/8	M	mm inch 10÷35 3/8÷1-3/8	mm inch 10÷45 3/8÷1-3/8	

<p>GO 250</p>	<p>DOUBLE DOWNTURN ELASTIC HEMMER</p>	<p>GUIDA PASSAELASTICO CON ORLO DOPPIO</p>	<p>GUIDE OURLEUR DOUBLE POUR LA POSE D' ELASTIQUE</p>	<p>GUIA PASAGOMAS CON ORILLA DOBLE</p>																																													
		   <table border="1" data-bbox="704 289 884 454"> <thead> <tr> <th>mm</th> <th>inch</th> <th>mm</th> <th>inch</th> <th></th> </tr> </thead> <tbody> <tr> <td>6</td> <td>1/4</td> <td>10</td> <td>3/8</td> <td>L</td> </tr> <tr> <td>8</td> <td>5/16</td> <td>12</td> <td>1/2</td> <td>M</td> </tr> <tr> <td>8</td> <td>5/16</td> <td>14</td> <td>9/16</td> <td>H</td> </tr> <tr> <td>8</td> <td>5/16</td> <td>14</td> <td>9/16</td> <td>M</td> </tr> <tr> <td>12</td> <td>1/2</td> <td>16</td> <td>5/8</td> <td>M</td> </tr> <tr> <td>12</td> <td>1/2</td> <td>16</td> <td>5/8</td> <td>H</td> </tr> <tr> <td>16</td> <td>5/8</td> <td>20</td> <td>3/4</td> <td>M</td> </tr> <tr> <td>16</td> <td>5/8</td> <td>20</td> <td>3/4</td> <td>H</td> </tr> </tbody> </table>		mm	inch	mm	inch		6	1/4	10	3/8	L	8	5/16	12	1/2	M	8	5/16	14	9/16	H	8	5/16	14	9/16	M	12	1/2	16	5/8	M	12	1/2	16	5/8	H	16	5/8	20	3/4	M	16	5/8	20	3/4	H	
mm	inch	mm	inch																																														
6	1/4	10	3/8	L																																													
8	5/16	12	1/2	M																																													
8	5/16	14	9/16	H																																													
8	5/16	14	9/16	M																																													
12	1/2	16	5/8	M																																													
12	1/2	16	5/8	H																																													
16	5/8	20	3/4	M																																													
16	5/8	20	3/4	H																																													
		<p>A RICHIESTA: GUIDE FUORI MISURA ON REQUEST: ALL THE OTHER SIZES</p>																																															

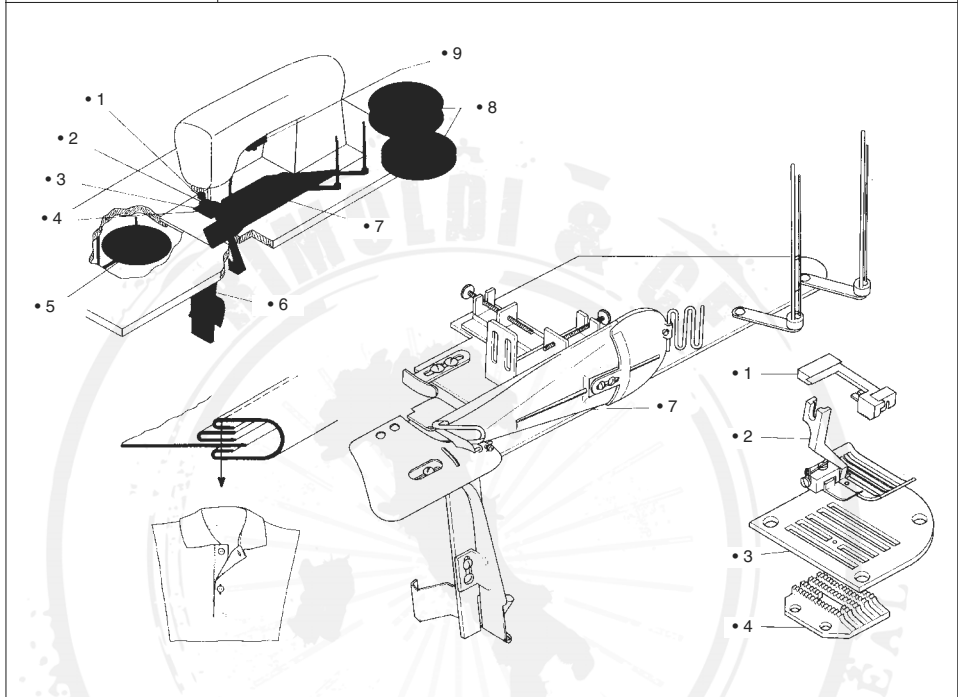
2



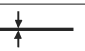
<p>GO 255 SET</p>	<p>DOWNTURN SWING ELASTIC HEMMER WITH PNEUMATIC DEVICE</p>	<p>GUIDA PASSAELASTICO COMPLETA DI APPARECCHIATURA PNEUMATICA</p>	<p>GUIDE OURLEUR POUR LA POSE D' ELASTIQUE AVEC ATTACHEMENT PNEUMATQUE</p>	<p>GUIA PASAGOMAS CON DISPOSITIVO NEUMATICO</p>																																										
 <p>• GO 255</p> <p>• CF 1004</p> <p>• = GO 255 SET</p>		   <table border="1" data-bbox="704 1007 884 1123"> <thead> <tr> <th>mm</th> <th>inch</th> <th>mm</th> <th>inch</th> <th>mm</th> <th>inch</th> <th></th> </tr> </thead> <tbody> <tr> <td>23</td> <td>15/16</td> <td>25</td> <td>1</td> <td>19,1</td> <td>3/4</td> <td>M</td> </tr> <tr> <td>28</td> <td>1-1/8</td> <td>30</td> <td>1-3/16</td> <td>25,4</td> <td>1</td> <td>M - H</td> </tr> <tr> <td>31</td> <td>1-1/4</td> <td>33</td> <td>1-5/16</td> <td>28,5</td> <td>1-1/8</td> <td>M - H</td> </tr> <tr> <td>34</td> <td>1-11/32</td> <td>36</td> <td>1-7/16</td> <td>31,8</td> <td>1-1/4</td> <td>M - H</td> </tr> <tr> <td>40</td> <td>1-9/16</td> <td>42</td> <td>1-21/32</td> <td>38,1</td> <td>1-1/2</td> <td>M</td> </tr> </tbody> </table>		mm	inch	mm	inch	mm	inch		23	15/16	25	1	19,1	3/4	M	28	1-1/8	30	1-3/16	25,4	1	M - H	31	1-1/4	33	1-5/16	28,5	1-1/8	M - H	34	1-11/32	36	1-7/16	31,8	1-1/4	M - H	40	1-9/16	42	1-21/32	38,1	1-1/2	M	
mm	inch	mm	inch	mm	inch																																									
23	15/16	25	1	19,1	3/4	M																																								
28	1-1/8	30	1-3/16	25,4	1	M - H																																								
31	1-1/4	33	1-5/16	28,5	1-1/8	M - H																																								
34	1-11/32	36	1-7/16	31,8	1-1/4	M - H																																								
40	1-9/16	42	1-21/32	38,1	1-1/2	M																																								
		<p>A RICHIESTA: GUIDE FUORI MISURA ON REQUEST: ALL THE OTHER SIZES</p>																																												

<p>GO 256</p>	<p>DOWNTURN HEMMER WITH 2 ELASTICS AND CORD INSERTION</p>	<p>GUIDA PASSAELASTICO CON INSERIMENTO DI 2 ELASTICI E CORDONETTO</p>	<p>GUIDE OURLEUR POUR LA POSE DE 2 ELASTIQUES ET CORDONNET</p>	<p>GUIA PASAGOMAS CON INSERCIÓN DE 2 ELÁSTICOS Y CORDÓN</p>												
 <p>• = GO 200 SET</p>	 <table border="1"> <tr> <td>mm</td> <td>inch</td> </tr> <tr> <td>30</td> <td>1-3/16</td> </tr> </table>	mm	inch	30	1-3/16	 <p>M</p>	 <table border="1"> <tr> <td>mm</td> <td>inch</td> </tr> <tr> <td>7</td> <td>9/32</td> </tr> </table>	mm	inch	7	9/32	 <table border="1"> <tr> <td>mm</td> <td>inch</td> </tr> <tr> <td>4</td> <td>5/32</td> </tr> </table>	mm	inch	4	5/32
mm	inch															
30	1-3/16															
mm	inch															
7	9/32															
mm	inch															
4	5/32															
		<p>A RICHIESTA: GUIDE FUORI MISURA ON REQUEST: ALL THE OTHER SIZES</p>														
<p>GO 259</p>	<p>BUTTON STAY HEMMER</p>	<p>ORLATORE PER CANOLO CAMICIA</p>	<p>GUIDE ORLEUR POUR LA POSE DES GORGES DE CHEMISES</p>	<p>ORILLADOR PARA TAPETA DE CAMISA</p>												
 <p>GO 259</p> <p>PF 700824</p> <p>PF 40624</p> <p>PF 100288</p>	 <table border="1"> <tr> <td>mm</td> <td>inch</td> </tr> <tr> <td>25</td> <td>1</td> </tr> <tr> <td>30</td> <td>3/16</td> </tr> <tr> <td>35</td> <td>1-3/8</td> </tr> </table>	mm	inch	25	1	30	3/16	35	1-3/8	 <p>L - M L - M L - M</p>						
mm	inch															
25	1															
30	3/16															
35	1-3/8															
		<p>A RICHIESTA: GUIDE FUORI MISURA ON REQUEST: ALL THE OTHER SIZES</p>														

GO 264 SET

ATTACHMENT AND SEWING PARTS TO MAKE BUTTON STAY WITH PIPING ON POLO SHIRT	GUIDA E ORGANI DI CUCITURA PER LA PRODUZIONE DI CANOLO POLO CON PROFILO	GUIDE ET PIECES POUR PRODUCTION DES GORGES AVEC PASSEPOIL DES CHEMISES POLO	GUIA Y ORGANOS DE COSTURA PARA LA PRODUCCION DE TAPETA POLO CON VIVO
--	--	--	---



Pos.	Code No. PFAFF 487	Code No. PFAFF 467 RIMOLDI 140	Code No. BROTHER DB2-B774 BROTHER DB2-B792 BROTHER DB2-B793	Code No. DURKOPP 219	Code No. JUKI DLU 5490	
• 1 2 3 4 5 6 7 8 9	GO 264/1 SET CF 488 CF 485 CF 487 CF 486 CF 230B CF 1002 GO 264 CF 246 CF LA 0300/1	GO 264/3 SET CF 492 CF 485 CF 489 CF 490 CF 230B CF 1002 GO 264 CF 246 CF LA 0300/1	GO 264/2 SET CF 402004 CF 402001 CF 402003 CF 402002 CF 230B CF 1002 GO 264 CF 246 CF LA 0300/1	GO 264/4 SET CF 402020 CF 402021 CF 402022 CF 402023 CF 230B CF 1002 GO 264 CF 246 CF LA 0300/1	GO 264/5 SET CF 500001 CF 500002 CF 500003 CF 500004 CF 230B CF 1002 GO 264 CF 246 CF LA 0300/1	
					A RICHIESTA: GUIDE FUORI MISURA ON REQUEST: ALL THE OTHER SIZES	
			Reinforcement	Piping Cut Size		
mm 80	inch 3-1/8	mm 30	inch 1-3/16	M		
			mm 28	inch 1-1/8	mm 16	inch 5/8

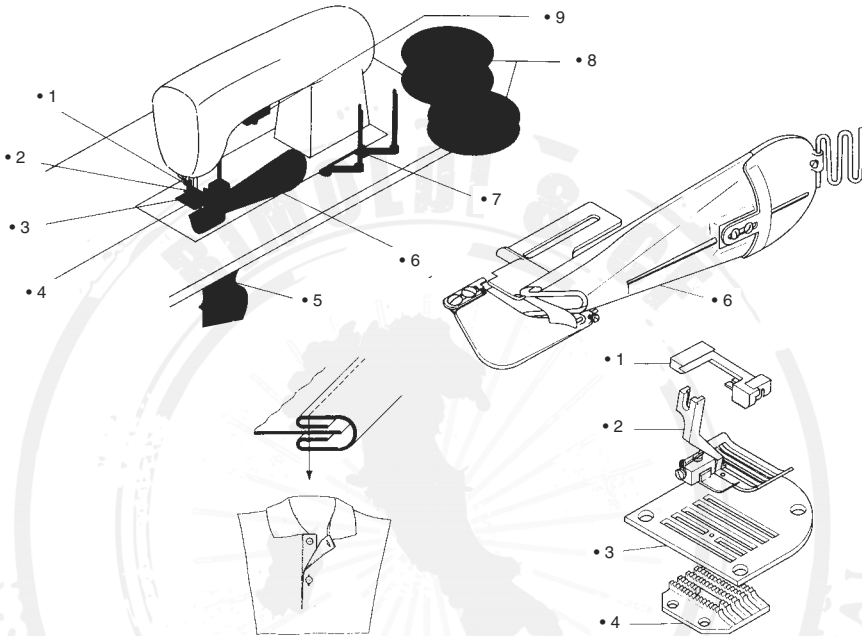
GO 265 SET

ATTACHMENT AND SEWING PARTS TO MAKE BUTTON STAY ON POLO SHIRT

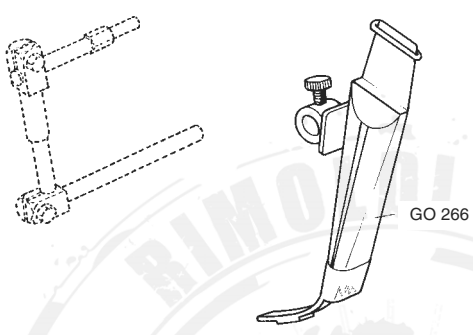
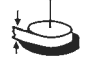


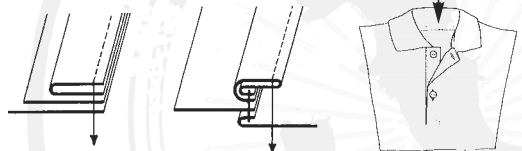
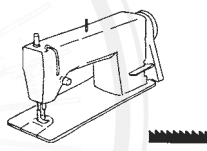
GUIDA E ORGANI DI CUCITURA PER LA PRODUZIONE DI CANOLO POLO

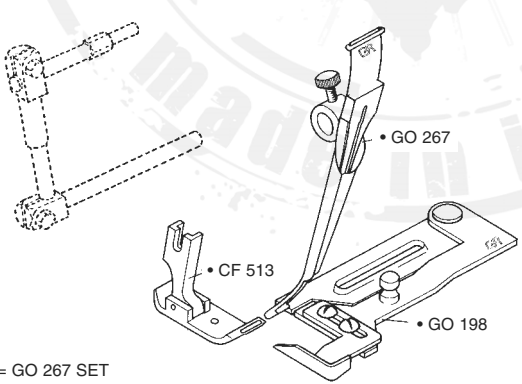
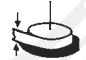



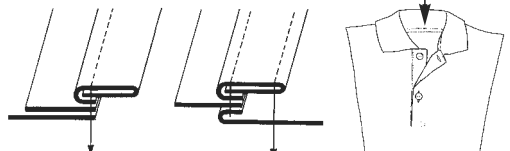
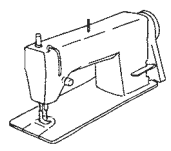
GUIDE ET PIÈCES POUR PRODUCTION DES GORGES AVEC DES CHEMISES POLO

GUIA Y ORGANOS DE COSTURA PARA LA PRODUCCION DE TAPETA POLO



Pos.	Code No. PFAFF 487	Code No. PFAFF 467 RIMOLDI 140	Code No. BROTHER DB2-B774 BROTHER DB2-B792 BROTHER DB2-B793	Code No. DURKOPP 219	Code No. JUKI DLU 5490
•	GO 265/1 SET	GO 265/3 SET	GO 265/2 SET	GO 265/4 SET	GO 265/5 SET
1	CF 488	CF 492	CF 402004	CF 402020	CF 500001
2	CF 485	CF 485	CF 402001	CF 402021	CF 500002
3	CF 487	CF 489	CF 402003	CF 402022	CF 500003
4	CF 486	CF 490	CF 402002	CF 402023	CF 500004
5	CF 1002	CF 1002	CF 1002	CF 1002	CF 1002
6	GO 265	GO 265	GO 265	GO 265	GO 265
7	CF 518	CF 518	CF 518	CF 518	CF 518
8	CF 246	CF 246	CF 246	CF 246	CF 246
9	CF LA 0300/1	CF LA 0300/1	CF LA 0300/1	CF LA 0300/1	CF LA 0300/1
A RICHIESTA: GUIDE FUORI MISURA ON REQUEST: ALL THE OTHER SIZES					
			Reinforcement		
mm inch	mm inch		mm	inch	
55 2-3/16	20 3/4	L - M	18	11/16	
70 2-3/4	25 1	L - M - H	23	29/32	
80 3-1/8	30 1-3/16	L - M - H	28	1-1/8	
90 3-9/16	35 1-3/8	L - M - H	33	1-5/16	
100 3-3/4	40 1-9/16	L - M - H	38	1-1/2	

<p>GO 266 = GO 355-30 M</p>	<p>ATTACHMENT TO SEW THE NECKLINE ON POLO SHIRTS</p>	<p>GUIDA PER ATTACCATURA DEL COLLO SU MAGLIETTE TIPO POLO</p>	<p>GUIDE POUR COUDRE LE COL DES POLO</p>	<p>GUIA PARA LA APLICACION DEL CUELLO EN CAMISetas DE PUNTO TIPO POLO</p>										
 <p>GO 266</p> <p>• = GO 200 SET</p>			 <table border="1"> <tr> <td>mm</td> <td>inch</td> </tr> <tr> <td>30</td> <td>1-3/16</td> </tr> </table>	mm	inch	30	1-3/16	 <table border="1"> <tr> <td>mm</td> <td>inch</td> </tr> <tr> <td>15</td> <td>19/32</td> </tr> </table>	mm	inch	15	19/32	 <p>M</p>	
mm	inch													
30	1-3/16													
mm	inch													
15	19/32													
<p>A RICHIESTA: GUIDE FUORI MISURA ON REQUEST: ALL THE OTHER SIZES</p>														
														

<p>GO 267 SET</p>	<p>ATTACHMENT AND FOOT TO SEW THE NECKLINE ON POLO SHIRTS</p>	<p>GUIDA CON PIEDINO PER ATTACCATURA DEL COLLO SU MAGLIETTE TIPO POLO</p>	<p>GUIDE ET PIED DE BICHE-POUR COUDRE LE COL DES POLO</p>	<p>GUIA CON PRENSATELAS PARA LA APLICACION DEL CUELLO EN CAMISetas TIPO POLO</p>																						
 <p>GO 267</p> <p>CF 513</p> <p>GO 198</p> <p>• = GO 267 SET</p>			 <table border="1"> <tr> <td>mm</td> <td>inch</td> </tr> <tr> <td>22</td> <td>7/8</td> </tr> <tr> <td>22</td> <td>7/8</td> </tr> <tr> <td>28</td> <td>1 - 1/8</td> </tr> <tr> <td>28</td> <td>1 - 1/8</td> </tr> </table>	mm	inch	22	7/8	22	7/8	28	1 - 1/8	28	1 - 1/8	 <table border="1"> <tr> <td>mm</td> <td>inch</td> </tr> <tr> <td>9</td> <td>11/32</td> </tr> <tr> <td>9</td> <td>11/32</td> </tr> <tr> <td>12</td> <td>1/2</td> </tr> <tr> <td>12</td> <td>1/2</td> </tr> </table>	mm	inch	9	11/32	9	11/32	12	1/2	12	1/2	 <p>M</p> <p>L</p> <p>M</p> <p>H</p>	 <p>CF 513/1</p> <p>CF 513/1</p> <p>CF 513/2</p> <p>CF 513/2</p>
mm	inch																									
22	7/8																									
22	7/8																									
28	1 - 1/8																									
28	1 - 1/8																									
mm	inch																									
9	11/32																									
9	11/32																									
12	1/2																									
12	1/2																									
<p>A RICHIESTA: GUIDE FUORI MISURA ON REQUEST: ALL THE OTHER SIZES</p>																										
																										

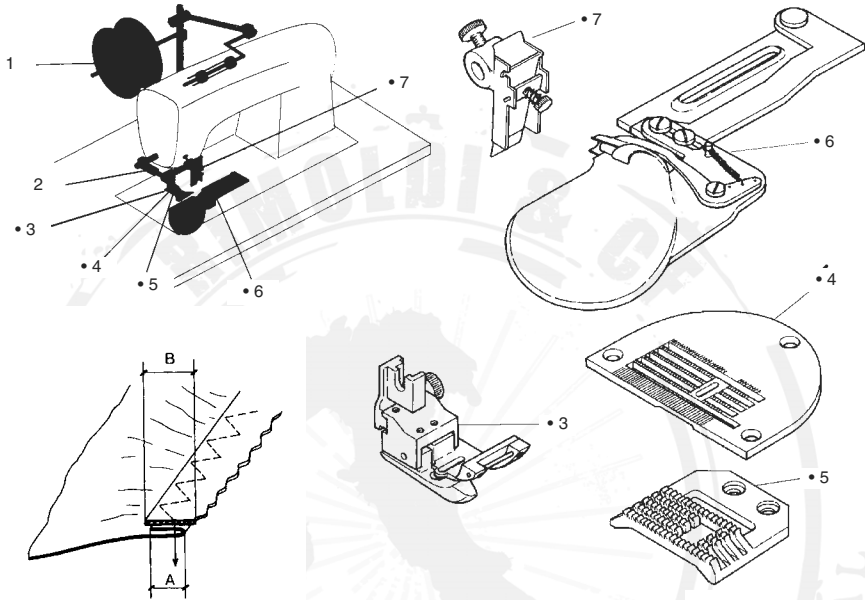
GO 268 A
GO 268 B

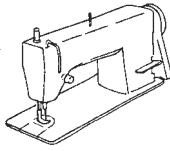
ELASTIC LACE
FOLDER WITH FOOT
FOR THREE - STITCH
AND ZIG-ZAG
MACHINES

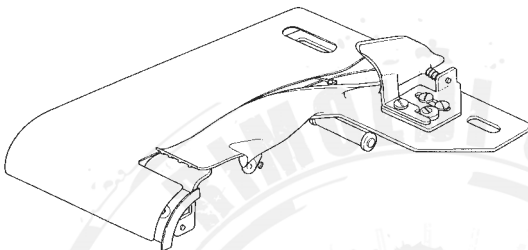

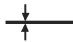


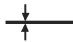

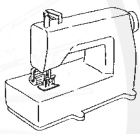

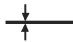

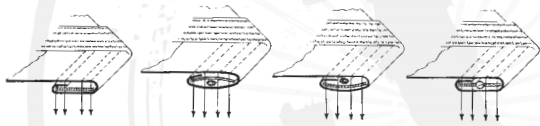
GUIDE E PIEDINO
PER APPLICAZIONE
PIZZI ELASTICI
SU THREE - STITCH
E ZIG-ZAG

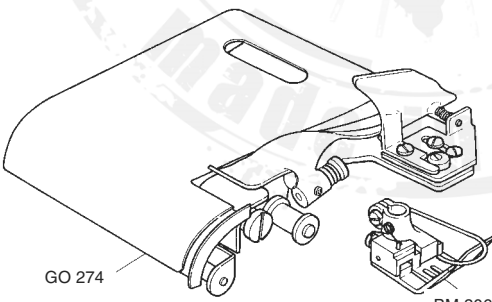




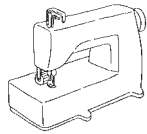


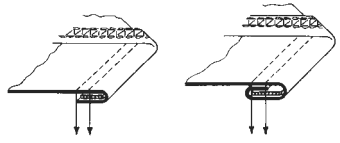
GUIDES ET PIED
POUR APPLICATION
DE DENTELLES
ELASTIQUES

GUIAS Y
PRENSETAS PARA
APLICACION DE
PUNTILLA ELASTICA



Pos.	Code No. PFAFF 418 e 918	Code No. DURKOPP 267	Code No. JUKI LZ 2286 SINGER 457/135	Code No. GLOBAL 567	Code No. PFAFF 438 e 938	Code No. DURKOPP 265	Code No. JUKI LZ 2280 SINGER 457/105	Code No. GLOBAL 560
•	GO 268A/1	GO 268A/2	GO 268A/3	GO 268A/4	GO 268B/1	GO 268B/2	GO 268B/3	GO 268B/4
1	CF 243	CF 243	CF 243	CF 243	CF 243	CF 243	CF 243	CF 243
2	GO 434/1	GO 434/1	GO 434/7	GO 434/1	GO 434/1	GO 434/1	GO 434/7	GO 434/1
3	CF 402013	CF 402010	CF 402007	CF 402013	CF 402018	CF 402031	CF 402029	CF 402018
4	CF 402014	CF 402015	CF 402008	CF 402034	CF 402019	CF 402026	CF 402032	CF 402035
5	CF 402016	CF 402017	CF 402009	CF 402036	CF 402027	CF 402028	CF 402030	CF 402037
6	GO 268	GO 268	GO 268	GO 268	GO 268	GO 268	GO 268	GO 268
7	GO 431/1	GO 431/1	GO 431/1	GO 431/1	GO 431/1	GO 431/1	GO 431/1	GO 431/1
A RICHIESTA: GUIDE FUORI MISURA ON REQUEST: ALL THE OTHER SIZES								
A		B						
mm	inch	from 7 to 10 mm						
5	3/16	from 11 to 15 mm						
7	9/32	from 9/32 to 3/8 inch						
		from 7/16 to 19/32 inch						
								

<p>GO 273</p>	<p>ELASTICATING HEMMER FOR ANY KIND OF FABRIC AND ELASTIC WITH OR WITHOUT CORD INSERT</p>	<p>ORLATORE REGOLABILE PER TUTTI I TIPI DI TESSUTO CON INSERIMENTO DI ELASTICO, ELASTICO E CORDA O ELASTICO CON CORDA INTERNA</p>	<p>GUIDE OURLEUR REGLABLE POUR POSE D'ÉLASTIQUE, POUR TOUT TYPE D'ÉLASTIQUE, AVEC OU SANS CORDE</p>	<p>ORILLADOR REGULABLE PARA TODO TIPO DE TEJIDOS, CON INSERCIÓN DE GOMA, GOMA Y CORDON O GOMA CON CORDON INTERNO</p>																			
	<table border="1"> <tr> <td></td> <td></td> <td></td> </tr> <tr> <td>mm inch</td> <td>Adjustable</td> <td>mm inch</td> </tr> <tr> <td>22-26 7/8-1</td> <td>Adjustable</td> <td>19,1 3/4</td> </tr> <tr> <td>28-32 1-1/8-1-1/4</td> <td>Adjustable</td> <td>25,4 1</td> </tr> <tr> <td>31-35 1-1/4-1-3/8</td> <td>Adjustable</td> <td>28,5 1-1/8</td> </tr> <tr> <td>34-38 1-3/8-1-1/2</td> <td>Adjustable</td> <td>31,8 1-1/4</td> </tr> <tr> <td>41-45 1-5/8-1-3/4</td> <td>Adjustable</td> <td>38,1 1-1/2</td> </tr> </table>				mm inch	Adjustable	mm inch	22-26 7/8-1	Adjustable	19,1 3/4	28-32 1-1/8-1-1/4	Adjustable	25,4 1	31-35 1-1/4-1-3/8	Adjustable	28,5 1-1/8	34-38 1-3/8-1-1/2	Adjustable	31,8 1-1/4	41-45 1-5/8-1-3/4	Adjustable	38,1 1-1/2	
																							
mm inch	Adjustable	mm inch																					
22-26 7/8-1	Adjustable	19,1 3/4																					
28-32 1-1/8-1-1/4	Adjustable	25,4 1																					
31-35 1-1/4-1-3/8	Adjustable	28,5 1-1/8																					
34-38 1-3/8-1-1/2	Adjustable	31,8 1-1/4																					
41-45 1-5/8-1-3/4	Adjustable	38,1 1-1/2																					
																							

<p>GO 274</p>	<p>ELASTICATING HEMMER FOR ANY KIND OF FABRIC AND ELASTIC</p>	<p>ORLATORE REGOLABILE PER TUTTI I TIPI DI TESSUTO CON INSERIMENTO DI ELASTICO</p>	<p>GUIDE OURLEUR REGLABLE POUR POSE D'ÉLASTIQUES, POUR TOUT TYPE D'ÉLASTIQUE</p>	<p>ORILLADOR REGULABLE PARA TODO TIPO DE TEJIDOS, CON INSERCIÓN DE GOMA</p>																			
 <p>GO 274</p> <p>BM 306669/1</p>	<table border="1"> <tr> <td></td> <td></td> <td></td> </tr> <tr> <td>mm inch</td> <td>L</td> <td></td> </tr> <tr> <td>7-9 9/32-11/32</td> <td>L, M</td> <td></td> </tr> <tr> <td>8-11 5/16-7/16</td> <td>L, M</td> <td></td> </tr> <tr> <td>12-14 1/2-9/16</td> <td>Adjustable</td> <td></td> </tr> <tr> <td>15-18 5/8-11/16</td> <td>Adjustable</td> <td></td> </tr> <tr> <td>18-22 3/4-7/8</td> <td></td> <td></td> </tr> </table>				mm inch	L		7-9 9/32-11/32	L, M		8-11 5/16-7/16	L, M		12-14 1/2-9/16	Adjustable		15-18 5/8-11/16	Adjustable		18-22 3/4-7/8			
																							
mm inch	L																						
7-9 9/32-11/32	L, M																						
8-11 5/16-7/16	L, M																						
12-14 1/2-9/16	Adjustable																						
15-18 5/8-11/16	Adjustable																						
18-22 3/4-7/8																							
																							

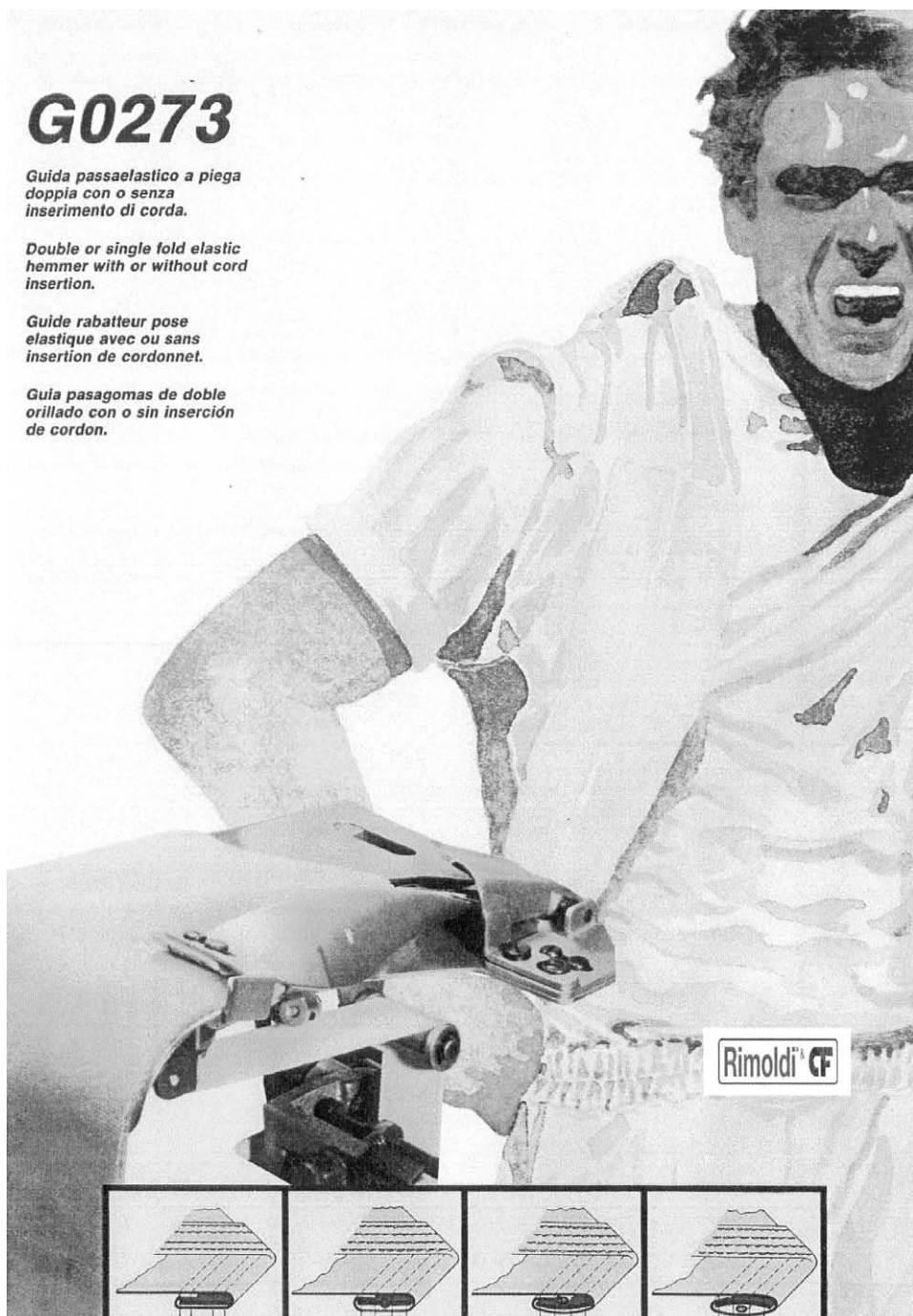
G0273

Guida passaelastico a piega doppia con o senza inserimento di corda.

Double or single fold elastic hemmer with or without cord insertion.

Guide rabatteur pose elastique avec ou sans insertion de cordonnet.

Guia pasagomas de doble orillado con o sin inserción de cordón.



2

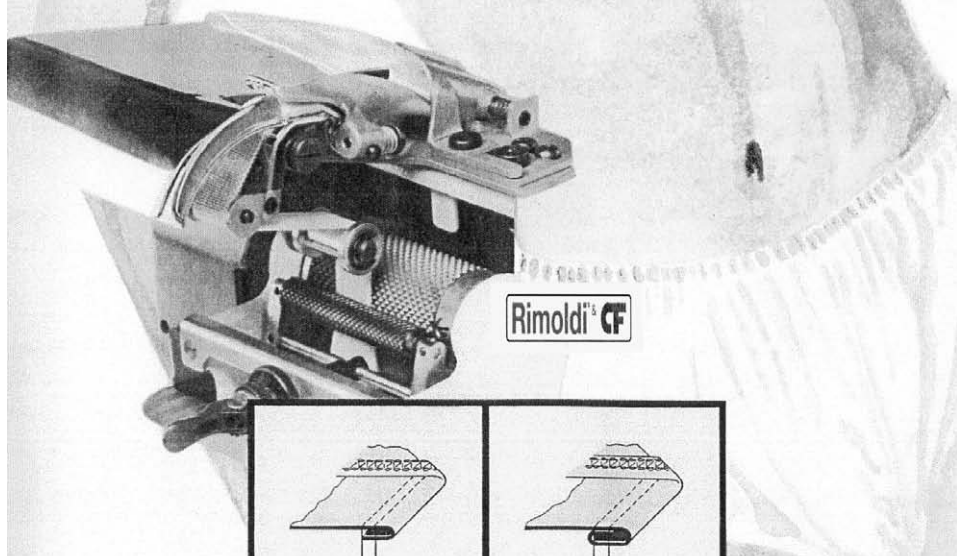
G0274

Guida passaelastico per elastici di misura inferiore a mm. 20 a piega semplice e doppia.

Single or double fold hemmer for up to 20 mm. elastic size.

Guide pose elastique pour élastiques jusqu'à 20 mm. Ce guide peut aussi bien réaliser le rabat que l'ourlet.

Guía pasaelásticos para elásticos de medidas inferiores a 20 mm., onflado sencillo o doble.



G0276

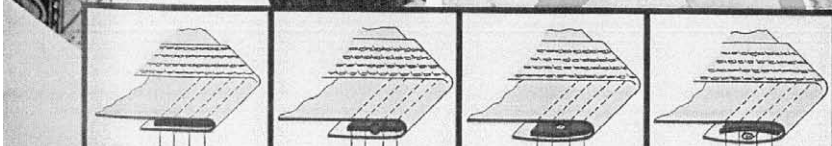
Guida passaelastico con o senza inserimento di corda a piega semplice per consentire l'attaccatura della mutanda in successiva operazione.

Single fold elastic hemmer with or without cord insertion to allow insertion of following garment.

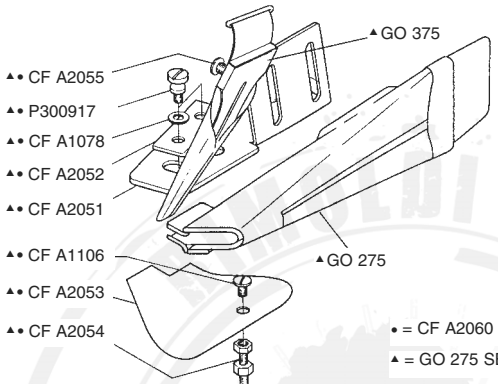
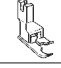
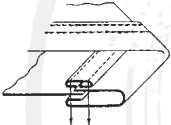

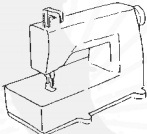
Guide rabatteur pose elastique, avec ou sans insertion de cordonnet pour montage de boxer-short.

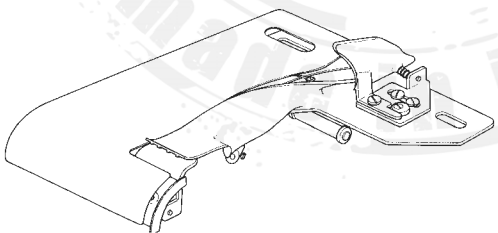
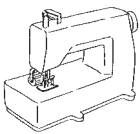
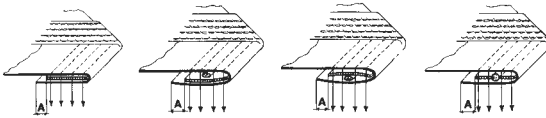
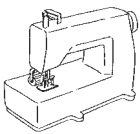
Guía pasagomas de orillado sencillo con o sin inserción de cordón para permitir la sucesiva aplicación del suspensorio.

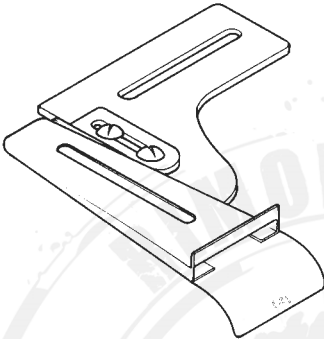

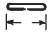
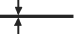
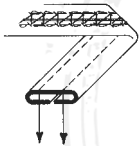
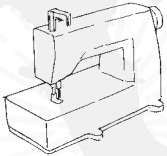
Rimoldi® CF

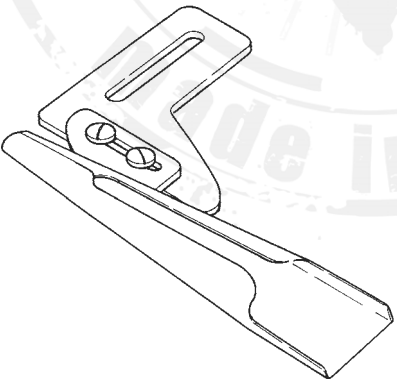



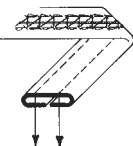
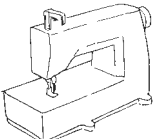


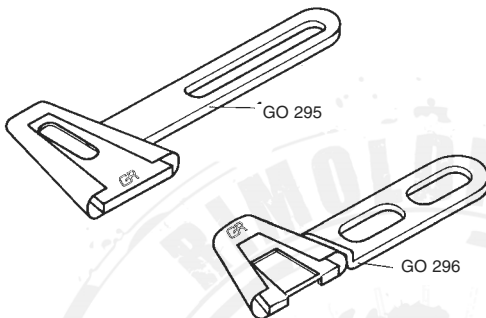
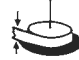
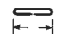

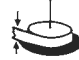
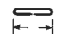

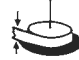
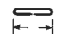

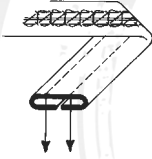
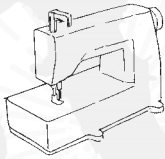
2

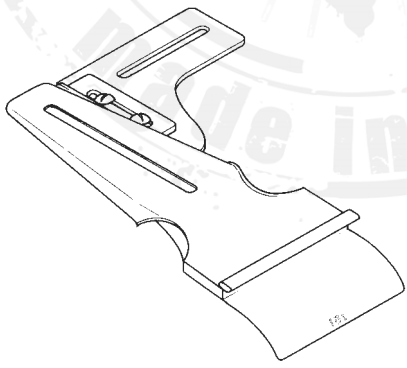

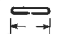


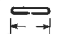


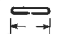

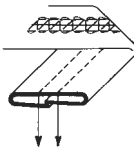
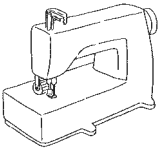
<h2>GO 275 SET</h2>	<p>SPLIT TUBE FOLDER FOR 2 NEEDLES CHAINSTITCH MACHINES WITH UPPER TAPE APPLICATION</p>	<p>GUIDA COLLARETTO PER MACCHINE 2 AGHI PIANE CON BANDA SUPERIORE</p>	<p>GUIDE COLLERETTE POUR MACHINES A 2 AIGUILLES POINT DE CHAINETTE AVEC APPLICATION DE BANDE</p>	<p>GUIA DE COLLARIN PARA MAQUINAS A 2 AGUJAS CON BANDA SUPERIOR</p>																																		
 <ul style="list-style-type: none"> ▲ CF A2055 ▲ P300917 ▲ CF A1078 ▲ CF A2052 ▲ CF A2051 ▲ CF A1106 ▲ CF A2053 ▲ CF A2054 <p>▲ GO 375</p> <p>▲ GO 275</p> <p>● = CF A2060 ▲ = GO 275 SET</p>	<table border="1"> <tr> <td></td> <td></td> <td></td> <td></td> </tr> <tr> <td>mm inch</td> <td>mm inch</td> <td>mm inch</td> <td></td> </tr> <tr> <td>GO 375</td> <td>GO 375</td> <td>GO 375</td> <td></td> </tr> <tr> <td>18 11/16</td> <td>9 11/32</td> <td>M</td> <td></td> </tr> <tr> <td>20 3/4</td> <td>10 3/8</td> <td>M</td> <td></td> </tr> <tr> <td>GO 275</td> <td>GO 275</td> <td>GO 275</td> <td></td> </tr> <tr> <td>50 2</td> <td>20 3/4</td> <td>2 5/64</td> <td></td> </tr> <tr> <td>60 2-3/8</td> <td>25 1</td> <td>2 5/64</td> <td></td> </tr> <tr> <td>70 2-3/4</td> <td>30 1-3/16</td> <td>2 5/64</td> <td></td> </tr> </table>					mm inch	mm inch	mm inch		GO 375	GO 375	GO 375		18 11/16	9 11/32	M		20 3/4	10 3/8	M		GO 275	GO 275	GO 275		50 2	20 3/4	2 5/64		60 2-3/8	25 1	2 5/64		70 2-3/4	30 1-3/16	2 5/64		
mm inch	mm inch	mm inch																																				
GO 375	GO 375	GO 375																																				
18 11/16	9 11/32	M																																				
20 3/4	10 3/8	M																																				
GO 275	GO 275	GO 275																																				
50 2	20 3/4	2 5/64																																				
60 2-3/8	25 1	2 5/64																																				
70 2-3/4	30 1-3/16	2 5/64																																				
 		<p>A RICHIESTA: GUIDE FUORI MISURA ON REQUEST: ALL THE OTHER SIZES</p>																																				

<h2>GO 276</h2>	<p>ELASTICATING HEMMER FOR ANY KIND OF FABRIC AND ELASTIC WITH OR WITHOUT CORD INSERT</p>	<p>ORLATORE REGOLABILE PER TUTTI I TIPI DI TESSUTO CON INSERIMENTO DI ELASTICO, ELASTICO E CORDA O ELASTICO CON CORDA INTERNA</p>	<p>GUIDE OURLEUR REGLABLE POUR POSE D'ELASTIQUE, POUR TOUT TYPE D'ELASTIQUE, AVEC OU SANS CORDE</p>	<p>ORILLADOR REGULABLE PARA TODO TIPO DE TEJIDOS, CON INSERCIÓN DE GOMA, GOMA Y CORDON O GOMA CON CORDON INTERNO</p>																															
	<table border="1"> <tr> <td></td> <td></td> <td></td> </tr> <tr> <td>mm inch</td> <td></td> <td>mm inch</td> </tr> <tr> <td>22-26 7/8-1</td> <td>Adjustable</td> <td>19,1 3/4</td> </tr> <tr> <td>28-32 1-1/8-</td> <td>Adjustable</td> <td>25,4 1</td> </tr> <tr> <td>1-1/4</td> <td></td> <td></td> </tr> <tr> <td>31-35 1-1/4-</td> <td>Adjustable</td> <td>28,5 1-1/8</td> </tr> <tr> <td>1-3/8</td> <td></td> <td></td> </tr> <tr> <td>34-38 1-3/8-</td> <td>Adjustable</td> <td>31,8 1-1/4</td> </tr> <tr> <td>1-1/2</td> <td></td> <td></td> </tr> <tr> <td>41-45 1-5/8-</td> <td>Adjustable</td> <td>38,1 1-1/2</td> </tr> <tr> <td>1-3/4</td> <td></td> <td></td> </tr> </table>				mm inch		mm inch	22-26 7/8-1	Adjustable	19,1 3/4	28-32 1-1/8-	Adjustable	25,4 1	1-1/4			31-35 1-1/4-	Adjustable	28,5 1-1/8	1-3/8			34-38 1-3/8-	Adjustable	31,8 1-1/4	1-1/2			41-45 1-5/8-	Adjustable	38,1 1-1/2	1-3/4			
mm inch		mm inch																																	
22-26 7/8-1	Adjustable	19,1 3/4																																	
28-32 1-1/8-	Adjustable	25,4 1																																	
1-1/4																																			
31-35 1-1/4-	Adjustable	28,5 1-1/8																																	
1-3/8																																			
34-38 1-3/8-	Adjustable	31,8 1-1/4																																	
1-1/2																																			
41-45 1-5/8-	Adjustable	38,1 1-1/2																																	
1-3/4																																			
																																			

GO 290	BELT LOOP FOLDER	GUIDA PASSANTI	GUIDE PASSANTS	GUIA DE PASADORES																																																											
																																																															
		<table border="1"> <thead> <tr> <th>mm</th> <th>inch</th> <th>mm</th> <th>inch</th> <th></th> </tr> </thead> <tbody> <tr><td>16</td><td>5/8</td><td>8</td><td>5/16</td><td>MH</td></tr> <tr><td>19</td><td>3/4</td><td>9</td><td>11/32</td><td>MH</td></tr> <tr><td>22</td><td>7/8</td><td>11</td><td>7/16</td><td>MH</td></tr> <tr><td>25</td><td>1</td><td>12</td><td>1/2</td><td>MH</td></tr> <tr><td>28</td><td>1 - 1/8</td><td>14</td><td>9/16</td><td>MH</td></tr> <tr><td>30</td><td>1 - 3/16</td><td>15</td><td>19/32</td><td>MH</td></tr> <tr><td>32</td><td>1 - 1/4</td><td>16</td><td>5/8</td><td>MH</td></tr> <tr><td>35</td><td>1 - 3/8</td><td>17,5</td><td>11/16</td><td>MH</td></tr> <tr><td>40</td><td>1 - 9/16</td><td>20</td><td>3/4</td><td>MH</td></tr> <tr><td>45</td><td>1 - 3/4</td><td>22,5</td><td>7/8</td><td>MH</td></tr> <tr><td>50</td><td>2</td><td>25</td><td>1</td><td>MH</td></tr> </tbody> </table>	mm	inch	mm	inch		16	5/8	8	5/16	MH	19	3/4	9	11/32	MH	22	7/8	11	7/16	MH	25	1	12	1/2	MH	28	1 - 1/8	14	9/16	MH	30	1 - 3/16	15	19/32	MH	32	1 - 1/4	16	5/8	MH	35	1 - 3/8	17,5	11/16	MH	40	1 - 9/16	20	3/4	MH	45	1 - 3/4	22,5	7/8	MH	50	2	25	1	MH	
mm	inch	mm	inch																																																												
16	5/8	8	5/16	MH																																																											
19	3/4	9	11/32	MH																																																											
22	7/8	11	7/16	MH																																																											
25	1	12	1/2	MH																																																											
28	1 - 1/8	14	9/16	MH																																																											
30	1 - 3/16	15	19/32	MH																																																											
32	1 - 1/4	16	5/8	MH																																																											
35	1 - 3/8	17,5	11/16	MH																																																											
40	1 - 9/16	20	3/4	MH																																																											
45	1 - 3/4	22,5	7/8	MH																																																											
50	2	25	1	MH																																																											
		<p>A RICHIESTA: GUIDE FUORI MISURA ON REQUEST: ALL THE OTHER SIZES</p>																																																													

GO 292	BINDER FOR STIFF RIBBONS	BORDATORE PER NASTRI RIGIDI	BORDEUR POUR RUBANS RIGIDES	GUIADOR SIMPLE PARA CINTAS RIGIDAS																																							
																																											
		<table border="1"> <thead> <tr> <th>mm</th> <th>inch</th> <th>mm</th> <th>inch</th> <th></th> </tr> </thead> <tbody> <tr><td>16</td><td>5/8</td><td>8</td><td>5/16</td><td>MH</td></tr> <tr><td>19</td><td>3/4</td><td>9,5</td><td>3/8</td><td>MH</td></tr> <tr><td>22</td><td>7/8</td><td>11</td><td>7/16</td><td>MH</td></tr> <tr><td>25</td><td>1</td><td>12,5</td><td>1/2</td><td>MH</td></tr> <tr><td>30</td><td>1 - 3/16</td><td>15</td><td>19/32</td><td>MH</td></tr> <tr><td>35</td><td>1 - 3/8</td><td>17,5</td><td>11/16</td><td>MH</td></tr> <tr><td>40</td><td>1 - 9/16</td><td>20</td><td>3/4</td><td>MH</td></tr> </tbody> </table>	mm	inch	mm	inch		16	5/8	8	5/16	MH	19	3/4	9,5	3/8	MH	22	7/8	11	7/16	MH	25	1	12,5	1/2	MH	30	1 - 3/16	15	19/32	MH	35	1 - 3/8	17,5	11/16	MH	40	1 - 9/16	20	3/4	MH	
mm	inch	mm	inch																																								
16	5/8	8	5/16	MH																																							
19	3/4	9,5	3/8	MH																																							
22	7/8	11	7/16	MH																																							
25	1	12,5	1/2	MH																																							
30	1 - 3/16	15	19/32	MH																																							
35	1 - 3/8	17,5	11/16	MH																																							
40	1 - 9/16	20	3/4	MH																																							
		<p>A RICHIESTA: GUIDE FUORI MISURA ON REQUEST: ALL THE OTHER SIZES</p>																																									

<p>GO 295 GO 296</p>	<p>BELT LOOP FOLDER FOR KANSAI DVK-1702</p>	<p>GUIDA PASSANTI PER KANSAI DVK - 1702</p>	<p>GUIDE PASSANTS POUR KANSAI DVK - 1702</p>	<p>GUIA DE PASADORES PARA KANSAI DVK - 1702</p>																																																																										
		<table border="1"> <thead> <tr> <th></th> <th colspan="2"></th> <th colspan="2"></th> <th></th> </tr> <tr> <th></th> <th>mm</th> <th>inch</th> <th>mm</th> <th>inch</th> <th></th> </tr> </thead> <tbody> <tr> <td rowspan="5">GO 295</td> <td>16</td> <td>5/8</td> <td>8</td> <td>5/6</td> <td>MH - L</td> </tr> <tr> <td>20</td> <td>3/4</td> <td>10</td> <td>3/8</td> <td>MH - L</td> </tr> <tr> <td>25</td> <td>1</td> <td>12</td> <td>1/2</td> <td>MH - L</td> </tr> <tr> <td>28</td> <td>1-1/8</td> <td>14</td> <td>9/16</td> <td>MH - L</td> </tr> <tr> <td>30</td> <td>1-3/16</td> <td>15</td> <td>19/32</td> <td>MH - L</td> </tr> <tr> <td rowspan="8">GO 296</td> <td>36</td> <td>1-3/8</td> <td>18</td> <td>11/16</td> <td>MH - L</td> </tr> <tr> <td>40</td> <td>1-9/16</td> <td>20</td> <td>3/4</td> <td>MH - L</td> </tr> <tr> <td>16</td> <td>5/8</td> <td>8</td> <td>5/16</td> <td>MH</td> </tr> <tr> <td>20</td> <td>3/4</td> <td>9</td> <td>3/8</td> <td>MH</td> </tr> <tr> <td>22</td> <td>7/8</td> <td>11</td> <td>7/16</td> <td>MH</td> </tr> <tr> <td>25</td> <td>1</td> <td>12</td> <td>1/2</td> <td>MH</td> </tr> <tr> <td>28</td> <td>1-1/8</td> <td>14</td> <td>9/16</td> <td>MH</td> </tr> </tbody> </table>									mm	inch	mm	inch		GO 295	16	5/8	8	5/6	MH - L	20	3/4	10	3/8	MH - L	25	1	12	1/2	MH - L	28	1-1/8	14	9/16	MH - L	30	1-3/16	15	19/32	MH - L	GO 296	36	1-3/8	18	11/16	MH - L	40	1-9/16	20	3/4	MH - L	16	5/8	8	5/16	MH	20	3/4	9	3/8	MH	22	7/8	11	7/16	MH	25	1	12	1/2	MH	28	1-1/8	14	9/16	MH	
																																																																														
	mm	inch	mm	inch																																																																										
GO 295	16	5/8	8	5/6	MH - L																																																																									
	20	3/4	10	3/8	MH - L																																																																									
	25	1	12	1/2	MH - L																																																																									
	28	1-1/8	14	9/16	MH - L																																																																									
	30	1-3/16	15	19/32	MH - L																																																																									
GO 296	36	1-3/8	18	11/16	MH - L																																																																									
	40	1-9/16	20	3/4	MH - L																																																																									
	16	5/8	8	5/16	MH																																																																									
	20	3/4	9	3/8	MH																																																																									
	22	7/8	11	7/16	MH																																																																									
	25	1	12	1/2	MH																																																																									
	28	1-1/8	14	9/16	MH																																																																									
			<p>A RICHIESTA: GUIDE FUORI MISURA ON REQUEST: ALL THE OTHER SIZES</p>																																																																											

<p>GO 300</p>	<p>CENTER STITCH BRACES FOLDER</p>	<p>GUIDA PER BRETELLE</p>	<p>GUIDE BRETELLES</p>	<p>GUIA PARA TIRANTES</p>																																										
		<table border="1"> <thead> <tr> <th></th> <th colspan="2"></th> <th colspan="2"></th> <th></th> </tr> <tr> <th></th> <th>mm</th> <th>inch</th> <th>mm</th> <th>inch</th> <th></th> </tr> </thead> <tbody> <tr> <td>40</td> <td>1 - 9/16</td> <td>20</td> <td>3/4</td> <td></td> <td>MH</td> </tr> <tr> <td>50</td> <td>2</td> <td>25</td> <td>1</td> <td></td> <td>MH</td> </tr> <tr> <td>60</td> <td>2-3/8</td> <td>30</td> <td>1-3/16</td> <td></td> <td>MH</td> </tr> <tr> <td>70</td> <td>2-3/4</td> <td>35</td> <td>1-3/8</td> <td></td> <td>MH</td> </tr> <tr> <td>80</td> <td>3-1/8</td> <td>40</td> <td>1-9/16</td> <td></td> <td>MH</td> </tr> </tbody> </table>									mm	inch	mm	inch		40	1 - 9/16	20	3/4		MH	50	2	25	1		MH	60	2-3/8	30	1-3/16		MH	70	2-3/4	35	1-3/8		MH	80	3-1/8	40	1-9/16		MH	
																																														
	mm	inch	mm	inch																																										
40	1 - 9/16	20	3/4		MH																																									
50	2	25	1		MH																																									
60	2-3/8	30	1-3/16		MH																																									
70	2-3/4	35	1-3/8		MH																																									
80	3-1/8	40	1-9/16		MH																																									
		<p>A RICHIESTA: GUIDE FUORI MISURA ON REQUEST: ALL THE OTHER SIZES</p>																																												

GO 319/1= GO 319+CF 324	BINDER WITH SHORT STRIPS INSERTION	BORDATORE PER LISTE A SPEZZONI	GUIDE POUR BANDES COURTES DE TISSU DECOUPES	GUIADOR CON INSERCIÓN DE TIRAS TROCEADAS
GO 319/2= GO 319+CF 326				
GO 319/3= GO 319+CF 327				

CF 324 UNIVERSAL

CF 326 RIMOLDI

CF 327 SINGER

GO 319

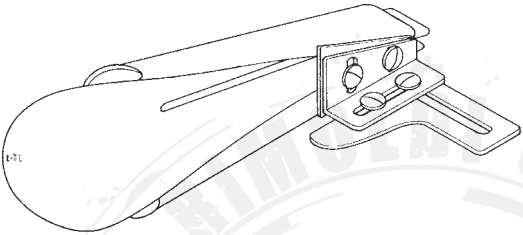


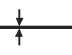
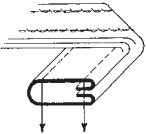
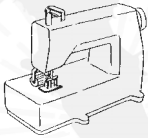
mm		inch		
75	2-15/16	25	1	L
80	3-3/16	28	1-1/8	L
85	3-3/8	30	1-3/16	L
90	3-3/16	35	1-3/8	L
95	3-3/4	37	1-7/16	L
100	3-15/16	40	1-9/16	L
105	4-1/8	43	1-11/16	L
110	4-3/8	45	1-3/4	L
75	2-15/16	25	1	M
80	3-3/16	28	1-1/8	M
85	3-3/8	30	1-3/16	M
90	3-3/16	35	1-3/8	M
95	3-3/4	37	1-7/16	M
100	3-15/16	40	1-9/16	M
105	4-1/8	43	1-11/16	M
110	4-3/8	45	1-3/4	M
120	4-3/4	50	2	M
85	3-3/8	30	1-3/16	H
90	3-3/16	35	1-3/8	H
95	3-3/4	37	1-7/16	H
100	3-15/16	40	1-9/16	H
105	4-1/8	43	1-11/16	H
110	4-3/8	45	1-3/4	H
120	4-3/4	50	2	H

**A RICHIESTA:
GUIDE FUORI MISURA
ON REQUEST:
ALL THE OTHER SIZES**

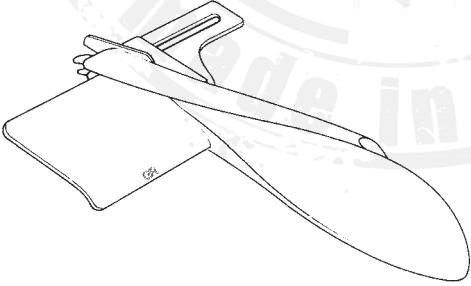


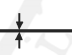
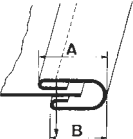
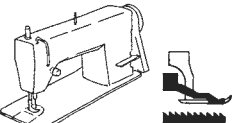
GO 320	BINDER WITH SHORT STRIPS INSERTION	BORDATORE PER LISTE A SPEZZONI	GUIDE POUR BANDES COURTES DE TISSU DECOUPES	GUIADOR CON INSERCIÓN DE TIRAS TROCEADAS
--------	------------------------------------	--------------------------------	---	--

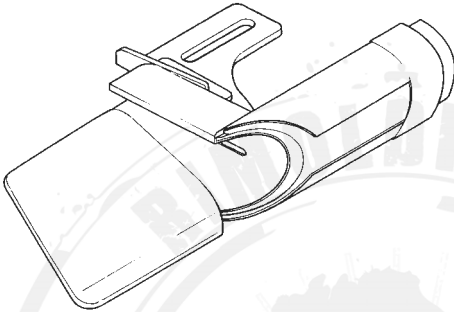
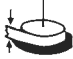
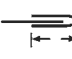
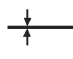
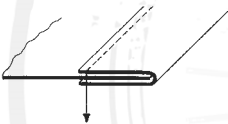
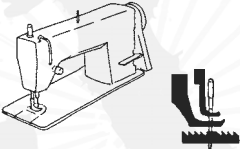
mm		inch		
40	1-9/16	14	9/16	M
45	1-3/4	16	5/8	M
50	2	18	11/16	M
55	2-3/16	20	3/4	M
60	2-3/8	22	7/8	M
65	2-9/16	24	15/16	M
70	2-3/4	26	1-1/32	M
75	2-15/16	28	1-1/8	M
80	3-1/8	30	1-3/16	M
90	3-9/16	35	1-3/8	M
100	3-15/16	40	1-9/16	M
105	4-1/8	43	1-11/16	M
110	4-3/8	45	1-3/4	M

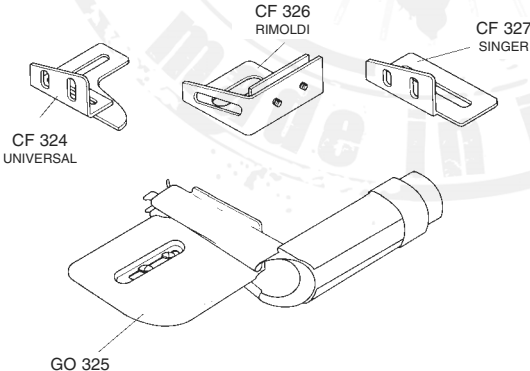



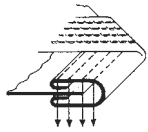
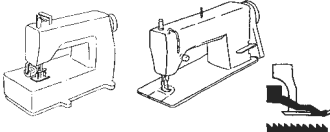
**A RICHIESTA:
GUIDE FUORI MISURA
ON REQUEST:
ALL THE OTHER SIZES**

<p>GO 321</p>	<p>BELT FOLDER FOR SPONGE - CLOTH</p>	<p>GUIDA PER CINTURE IN TESSUTO SPUGNA</p>	<p>GUIDE POUR CEINTURES EN TISSU-EPONGE</p>	<p>GUIA PARA PRETINAS EN TEJIDO DE RIZO</p>		
						
 			<p>A RICHIESTA: GUIDE FUORI MISURA ON REQUEST: ALL THE OTHER SIZES</p>			

2

<p>GO 322</p>	<p>SLEEVE BINDER</p>	<p>BORDATORE PER FINITURA MANICHE</p>	<p>GUIDE BORDEUR MANCHES</p>	<p>GUIADOR PARA ACABADO DE MANGAS</p>		
						
 			<p>A RICHIESTA: GUIDE FUORI MISURA ON REQUEST: ALL THE OTHER SIZES</p>			

<p>GO 323</p>	<p>ELBOW RAW EDGE TAPE BINDER</p>	<p>BORDATORE AD ANGOLO</p>	<p>BORDEUR ANGULAIRE SIMPLE REMPLI</p>	<p>GUIADOR SIMPLE A ANGULO</p>																																											
			 <table border="1"> <thead> <tr> <th>mm</th> <th>inch</th> </tr> </thead> <tbody> <tr><td>55</td><td>2-3/16</td></tr> <tr><td>60</td><td>2-3/8</td></tr> <tr><td>70</td><td>2-3/4</td></tr> <tr><td>80</td><td>3-1/8</td></tr> <tr><td>90</td><td>3-9/16</td></tr> </tbody> </table>	mm	inch	55	2-3/16	60	2-3/8	70	2-3/4	80	3-1/8	90	3-9/16	 <table border="1"> <thead> <tr> <th>mm</th> <th>inch</th> </tr> </thead> <tbody> <tr><td>27</td><td>1-1/16</td></tr> <tr><td>30</td><td>1-3/16</td></tr> <tr><td>35</td><td>1-3/8</td></tr> <tr><td>40</td><td>1-9/16</td></tr> <tr><td>45</td><td>1-3/4</td></tr> </tbody> </table>	mm	inch	27	1-1/16	30	1-3/16	35	1-3/8	40	1-9/16	45	1-3/4	 <table border="1"> <thead> <tr> <th>L</th> <th>M</th> <th>H</th> </tr> </thead> <tbody> <tr><td>L</td><td>M</td><td>H</td></tr> <tr><td>L</td><td>M</td><td>H</td></tr> <tr><td>L</td><td>M</td><td>H</td></tr> <tr><td>L</td><td>M</td><td>H</td></tr> <tr><td>L</td><td>M</td><td>H</td></tr> </tbody> </table>	L	M	H	L	M	H	L	M	H	L	M	H	L	M	H	L	M	H
mm	inch																																														
55	2-3/16																																														
60	2-3/8																																														
70	2-3/4																																														
80	3-1/8																																														
90	3-9/16																																														
mm	inch																																														
27	1-1/16																																														
30	1-3/16																																														
35	1-3/8																																														
40	1-9/16																																														
45	1-3/4																																														
L	M	H																																													
L	M	H																																													
L	M	H																																													
L	M	H																																													
L	M	H																																													
L	M	H																																													
		<p>A RICHIESTA: GUIDE FUORI MISURA ON REQUEST: ALL THE OTHER SIZES</p>																																													

<p>GO 325/1= GO 325+CF 324 GO 325/2= GO 325+CF 326 GO 325/3= GO 325+CF 327</p>	<p>ELBOW BINDER FOR WAIST BANDS</p>	<p>BORDATORE AD ANGOLO PER CINTURE</p>	<p>BORDEUR ANGULAIRE POUR CEINTURES</p>	<p>GUIADOR A ANGULO RECTO PARA PRETINAS</p>																																																																																																
			 <table border="1"> <thead> <tr> <th>mm</th> <th>inch</th> </tr> </thead> <tbody> <tr><td>70</td><td>2-3/4</td></tr> <tr><td>80</td><td>3-1/8</td></tr> <tr><td>85</td><td>3-3/8</td></tr> <tr><td>85</td><td>3-3/8</td></tr> <tr><td>90</td><td>3-17/32</td></tr> <tr><td>90</td><td>3-17/32</td></tr> <tr><td>95</td><td>3-3/4</td></tr> <tr><td>100</td><td>3-15/16</td></tr> <tr><td>105</td><td>4-1/8</td></tr> <tr><td>110</td><td>4-5/16</td></tr> <tr><td>120</td><td>4-3/4</td></tr> <tr><td>130</td><td>5-1/8</td></tr> <tr><td>140</td><td>5-1/2</td></tr> </tbody> </table>	mm	inch	70	2-3/4	80	3-1/8	85	3-3/8	85	3-3/8	90	3-17/32	90	3-17/32	95	3-3/4	100	3-15/16	105	4-1/8	110	4-5/16	120	4-3/4	130	5-1/8	140	5-1/2	 <table border="1"> <thead> <tr> <th>mm</th> <th>inch</th> </tr> </thead> <tbody> <tr><td>25</td><td>1</td></tr> <tr><td>28</td><td>1-1/8</td></tr> <tr><td>32</td><td>1-1/4</td></tr> <tr><td>30</td><td>1-3/16</td></tr> <tr><td>34</td><td>1-11/32</td></tr> <tr><td>33</td><td>1-5/16</td></tr> <tr><td>36</td><td>1-7/16</td></tr> <tr><td>40</td><td>1-9/16</td></tr> <tr><td>43</td><td>1-11/16</td></tr> <tr><td>45</td><td>1-3/4</td></tr> <tr><td>50</td><td>2</td></tr> <tr><td>55</td><td>2-3/16</td></tr> <tr><td>60</td><td>2-3/8</td></tr> </tbody> </table>	mm	inch	25	1	28	1-1/8	32	1-1/4	30	1-3/16	34	1-11/32	33	1-5/16	36	1-7/16	40	1-9/16	43	1-11/16	45	1-3/4	50	2	55	2-3/16	60	2-3/8	 <table border="1"> <thead> <tr> <th>L</th> <th>M</th> <th>H</th> </tr> </thead> <tbody> <tr><td>L</td><td></td><td></td></tr> <tr><td>L</td><td></td><td></td></tr> <tr><td>L</td><td></td><td></td></tr> <tr><td>L</td><td>M</td><td>H</td></tr> <tr><td>L</td><td></td><td></td></tr> <tr><td>L</td><td>M</td><td>H</td></tr> <tr><td>L</td><td>M</td><td>H</td></tr> <tr><td>L</td><td>M</td><td>H</td></tr> <tr><td>L</td><td>M</td><td>H</td></tr> <tr><td>L</td><td>M</td><td>H</td></tr> <tr><td>L</td><td>M</td><td>H</td></tr> <tr><td>L</td><td>M</td><td>H</td></tr> </tbody> </table>	L	M	H	L			L			L			L	M	H	L			L	M	H	L	M	H	L	M	H	L	M	H	L	M	H	L	M	H	L	M	H
mm	inch																																																																																																			
70	2-3/4																																																																																																			
80	3-1/8																																																																																																			
85	3-3/8																																																																																																			
85	3-3/8																																																																																																			
90	3-17/32																																																																																																			
90	3-17/32																																																																																																			
95	3-3/4																																																																																																			
100	3-15/16																																																																																																			
105	4-1/8																																																																																																			
110	4-5/16																																																																																																			
120	4-3/4																																																																																																			
130	5-1/8																																																																																																			
140	5-1/2																																																																																																			
mm	inch																																																																																																			
25	1																																																																																																			
28	1-1/8																																																																																																			
32	1-1/4																																																																																																			
30	1-3/16																																																																																																			
34	1-11/32																																																																																																			
33	1-5/16																																																																																																			
36	1-7/16																																																																																																			
40	1-9/16																																																																																																			
43	1-11/16																																																																																																			
45	1-3/4																																																																																																			
50	2																																																																																																			
55	2-3/16																																																																																																			
60	2-3/8																																																																																																			
L	M	H																																																																																																		
L																																																																																																				
L																																																																																																				
L																																																																																																				
L	M	H																																																																																																		
L																																																																																																				
L	M	H																																																																																																		
L	M	H																																																																																																		
L	M	H																																																																																																		
L	M	H																																																																																																		
L	M	H																																																																																																		
L	M	H																																																																																																		
L	M	H																																																																																																		
		<p>A RICHIESTA: GUIDE FUORI MISURA ON REQUEST: ALL THE OTHER SIZES</p>																																																																																																		

GO 328/1= GO 328+CF 324	ELBOW BINDER FOR BATH WRAPS	BORDATORE AD ANGOLO PER PARAMONTURA ACCAPPATOIO	BORDEUR ANGLAIRE POUR PAREMENTURES DES FEIGNOIRS	GUIADOR A ANGULO RECTO PARA EL ACABADO DE ALBORNOCES
GO 328/2= GO 328+CF 326				
GO 328/3= GO 328+CF 327				

CF 326 RIMOLDI

CF 327 SINGER

CF 324 UNIVERSAL

GO 328

mm		inch		mm		inch		
80	3-3/16	25	1					XH
90	3-9/16	30	1-3/16					XH
100	3-15/16	35	1-3/8					XH
110	4-5/16	40	1-9/16					XH
120	4-3/4	45	1-3/4					XH

**A RICHIESTA:
GUIDE FUORI MISURA
ON REQUEST:
ALL THE OTHER SIZES**

GO 329/1= GO 329+CF 324	ELBOW BINDER WITH ELASTIC INSERTION	BORDATORE AD ANGOLO CON INSERIMENTO DI ELASTICO	BORDEUR ANGLAIRE AVEC ELASTIQUE	GUIADOR A ANGULO RECTO CON ELASTICO
GO 329/2= GO 329+CF 326				
GO 329/3= GO 329+CF 327				

CF 324 UNIVERSAL

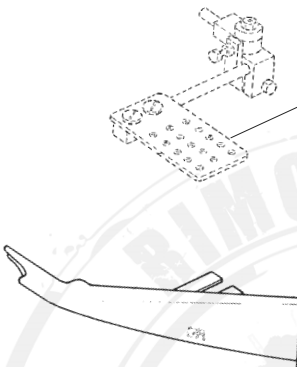

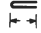

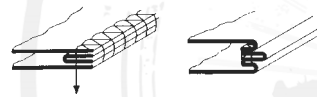
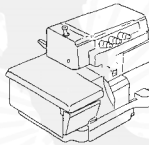
CF 326 RIMOLDI

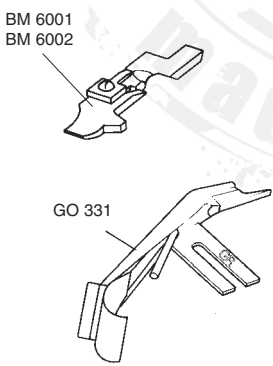




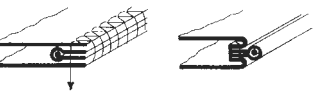
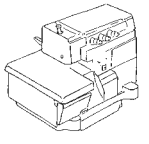
CF 327 SINGER

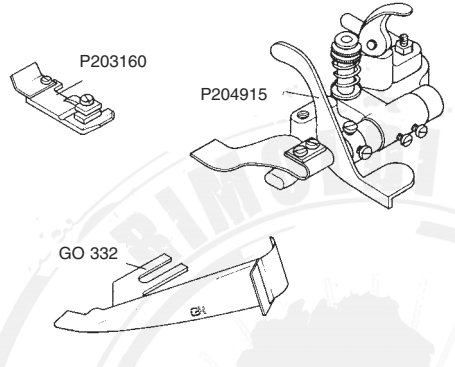
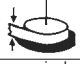

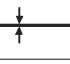
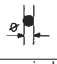

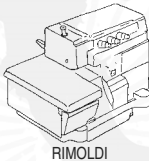
GO 329

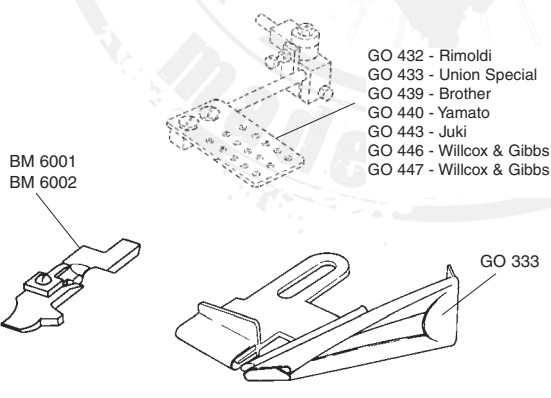
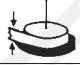



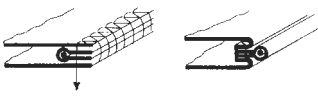
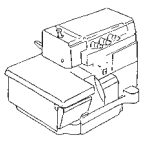
mm		inch		mm		inch		
80	3-1/8	28	1-1/8					L
85	3-1/8	32	1-1/4					L
90	3-9/16	34	1-11/32					L
95	3-3/4	36	1-7/16					L
105	4-1/8	43	1-11/16					L
85	3-3/8	30	1-3/16					M
90	3-3/16	33	1-5/16					M
95	3-3/4	36	1-7/16					M
105	4-1/8	43	1-11/16					M
85	3-3/8	30	1-3/16					H
90	3-9/16	33	1-5/16					H
95	3-3/4	36	1-7/16					H
105	4-1/8	43	1-11/16					H

**A RICHIESTA:
GUIDE FUORI MISURA
ON REQUEST:
ALL THE OTHER SIZES**

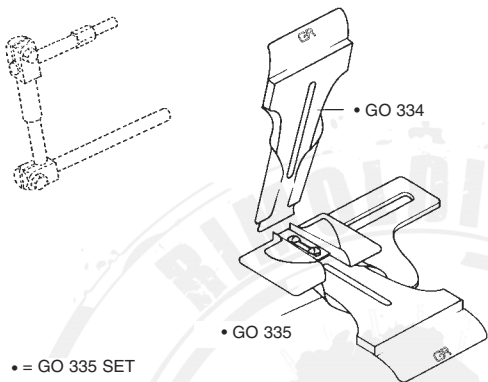
<p>GO 330</p>	<p>PIPING ATTACHMENT FOR OVERLOCK MACHINE</p>	<p>PROFILATORE PER TAGLIACUCE</p>	<p>GUIDE PASSEPOIL POUR SURJETEUSE</p>	<p>GUIA DE VIVO PARA OVERLOCK</p>																																																																				
 <p>GO 432 - Rimoldi GO 433 - Union Special GO 439 - Brother GO 440 - Yamato GO 443 - Juki GO 446 - Willcox & Gibbs GO 447 - Willcox & Gibbs</p> <p>GO 330</p>			 <table border="1"> <thead> <tr> <th>mm</th> <th>inch</th> </tr> </thead> <tbody> <tr><td>14</td><td>9/16</td></tr> <tr><td>16</td><td>5/8</td></tr> <tr><td>19</td><td>3/4</td></tr> <tr><td>20</td><td>3/4</td></tr> <tr><td>22</td><td>7/8</td></tr> <tr><td>25</td><td>1</td></tr> <tr><td>30</td><td>1-3/16</td></tr> <tr><td>35</td><td>1-3/8</td></tr> <tr><td>40</td><td>1-9/16</td></tr> <tr><td>45</td><td>1-3/4</td></tr> </tbody> </table>	mm	inch	14	9/16	16	5/8	19	3/4	20	3/4	22	7/8	25	1	30	1-3/16	35	1-3/8	40	1-9/16	45	1-3/4	 <table border="1"> <thead> <tr> <th>mm</th> <th>inch</th> </tr> </thead> <tbody> <tr><td>7</td><td>9/32</td></tr> <tr><td>8</td><td>5/16</td></tr> <tr><td>9</td><td>11/32</td></tr> <tr><td>10</td><td>3/8</td></tr> <tr><td>11</td><td>7/16</td></tr> <tr><td>12</td><td>1/2</td></tr> <tr><td>15</td><td>19/32</td></tr> <tr><td>17</td><td>11/16</td></tr> <tr><td>20</td><td>13/16</td></tr> <tr><td>22</td><td>7/8</td></tr> </tbody> </table>	mm	inch	7	9/32	8	5/16	9	11/32	10	3/8	11	7/16	12	1/2	15	19/32	17	11/16	20	13/16	22	7/8	 <table border="1"> <thead> <tr> <th></th> <th></th> </tr> </thead> <tbody> <tr><td></td><td>M</td></tr> <tr><td></td><td>M</td></tr> <tr><td></td><td>M</td></tr> <tr><td></td><td>H</td></tr> <tr><td></td><td>M - H</td></tr> <tr><td></td><td>M - H</td></tr> <tr><td></td><td>M - H</td></tr> <tr><td></td><td>M - H</td></tr> <tr><td></td><td>M - H</td></tr> <tr><td></td><td>M - H</td></tr> </tbody> </table>				M		M		M		H		M - H		M - H		M - H		M - H		M - H		M - H	
mm	inch																																																																							
14	9/16																																																																							
16	5/8																																																																							
19	3/4																																																																							
20	3/4																																																																							
22	7/8																																																																							
25	1																																																																							
30	1-3/16																																																																							
35	1-3/8																																																																							
40	1-9/16																																																																							
45	1-3/4																																																																							
mm	inch																																																																							
7	9/32																																																																							
8	5/16																																																																							
9	11/32																																																																							
10	3/8																																																																							
11	7/16																																																																							
12	1/2																																																																							
15	19/32																																																																							
17	11/16																																																																							
20	13/16																																																																							
22	7/8																																																																							
	M																																																																							
	M																																																																							
	M																																																																							
	H																																																																							
	M - H																																																																							
	M - H																																																																							
	M - H																																																																							
	M - H																																																																							
	M - H																																																																							
	M - H																																																																							
			<p>A RICHIESTA: GUIDE FUORI MISURA ON REQUEST: ALL THE OTHER SIZES</p>																																																																					

<p>GO 331</p>	<p>CORD EDGE PIPING ATTACHMENT FOR OVERLOCK</p>	<p>PROFILATORE CON CORDONETTO PER TAGLIACUCE</p>	<p>GUIDE PASSEPOIL AVEC CORDONNET POUR SURJETEUSE</p>	<p>GUIA DE VIVO CON CORDON PARA OVERLOCK</p>																																		
 <p>BM 6001 BM 6002</p> <p>GO 331</p> <p>GO 432 - Rimoldi GO 433 - Union Special GO 439 - Brother GO 440 - Yamato GO 443 - Juki GO 446 - Willcox & Gibbs GO 447 - Willcox & Gibbs</p>			 <table border="1"> <thead> <tr> <th>mm</th> <th>inch</th> </tr> </thead> <tbody> <tr><td>19</td><td>3/4</td></tr> <tr><td>25</td><td>1</td></tr> <tr><td>30</td><td>1-3/16</td></tr> </tbody> </table>	mm	inch	19	3/4	25	1	30	1-3/16	 <table border="1"> <thead> <tr> <th>mm</th> <th>inch</th> </tr> </thead> <tbody> <tr><td>9</td><td>11/32</td></tr> <tr><td>12</td><td>15/32</td></tr> <tr><td>15</td><td>19/32</td></tr> </tbody> </table>	mm	inch	9	11/32	12	15/32	15	19/32	 <table border="1"> <thead> <tr> <th></th> <th></th> </tr> </thead> <tbody> <tr><td></td><td>M</td></tr> <tr><td></td><td>M</td></tr> <tr><td></td><td>M</td></tr> </tbody> </table>				M		M		M	 <table border="1"> <thead> <tr> <th>mm</th> <th>inch</th> </tr> </thead> <tbody> <tr><td>1,5</td><td>1/16</td></tr> <tr><td>2,5</td><td>3/32</td></tr> <tr><td>3,5</td><td>9/64</td></tr> </tbody> </table>	mm	inch	1,5	1/16	2,5	3/32	3,5	9/64
mm	inch																																					
19	3/4																																					
25	1																																					
30	1-3/16																																					
mm	inch																																					
9	11/32																																					
12	15/32																																					
15	19/32																																					
	M																																					
	M																																					
	M																																					
mm	inch																																					
1,5	1/16																																					
2,5	3/32																																					
3,5	9/64																																					
			<p>A RICHIESTA: GUIDE FUORI MISURA ON REQUEST: ALL THE OTHER SIZES</p>																																			

<p>GO 332</p>	<p>CORD EDGE PIPING ATTACHMENT FOR RIMOLDI OVERLOCK RUFFLER MACHINE</p>	<p>PROFILATORE CON CORDONETTO PER ARRICCIATORE SU TAGLIACUCE</p>	<p>GUIDE PASSEPOIL AVEC CORDONNET POUR FRONCEUR SUR SURJETEUSE</p>	<p>GUIA DE VIVO CON CORDON PARA FRUNCIDORES EN OVERLOCK</p>		
			 <p>mm inch 19 3/4</p>	 <p>mm inch 9 11/32</p>	 <p>M</p>	 <p>mm inch 2,5 3/32</p>
		 <p>RIMOLDI</p>	<p>A RICHIESTA: GUIDE FUORI MISURA ON REQUEST: ALL THE OTHER SIZES</p>			



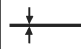
<p>GO 333</p>	<p>PIPING ATTACHMENT FOR OVERLOCK</p>	<p>PROFILATORE PER TAGLIACUCE</p>	<p>GUIDE PASSEPOIL POUR SURJETEUSE</p>	<p>GUIA DE VIVO PARA OVERLOCK</p>		
 <p>BM 6001 BM 6002</p> <p>GO 432 - Rimoldi GO 433 - Union Special GO 439 - Brother GO 440 - Yamato GO 443 - Juki GO 446 - Willcox & Gibbs GO 447 - Willcox & Gibbs</p> <p>GO 333</p>			 <p>mm inch 19 3/4</p>	 <p>mm inch 9 11/32</p>	 <p>M</p>	 <p>mm inch 2,5 3/32</p>
			<p>A RICHIESTA: GUIDE FUORI MISURA ON REQUEST: ALL THE OTHER SIZES</p>			

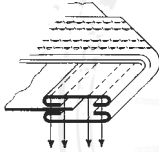
GO 335 SET	WAISTBAND FOLDER FOR CONTINUOUS STRIPS	GUIDA PER CINTURE CON INSERIMENTO DI FETTUCCE CONTINUE	GUIDE CEINTURE POUR BANDES EN CONTINU	GUIADOR PARA PRETINAS CON INSERCIÓN DE TIRAS CONTINUAS
-------------------	--	--	---------------------------------------	--

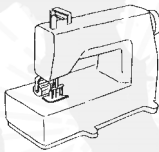


• GO 335 SET

• GO 334

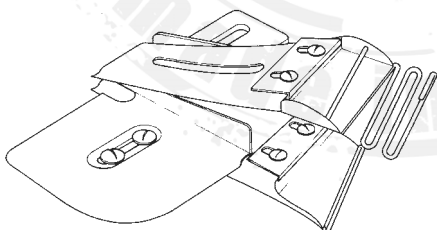
			
mm inch	mm inch		
51 2	30 1-3/16		L
57 2-1/4	36 1-7/16		L
63 2-1/2	43 1-11/16		L
51 2	30 1-3/16		MH
57 2-1/4	36 1-7/16		MH
63 2-1/2	43 1-11/16		MH






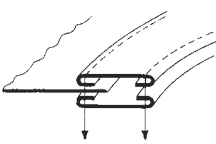


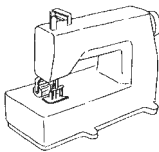
**A RICHIESTA:
GUIDE FUORI MISURA
ON REQUEST:
ALL THE OTHER SIZES**

GO 337	WAISTBAND FOLDER FOR SHAPED STRIPS	GUIDA PER CINTURE CON INSERIMENTO DI LISTE SAGOMATE	GUIDE CEINTURE EN FORME	GUIADOR PARA CINTAS CON TIRAS CORTADAS EN CURVO
---------------	------------------------------------	---	-------------------------	---



			
mm inch	mm inch		
63 2-1/2	37 1-7/16		M - H
70 2-3/4	44 1-3/4		M - H
80 3-1/8	50 1-2		M - H





**A RICHIESTA:
GUIDE FUORI MISURA
ON REQUEST:
ALL THE OTHER SIZES**

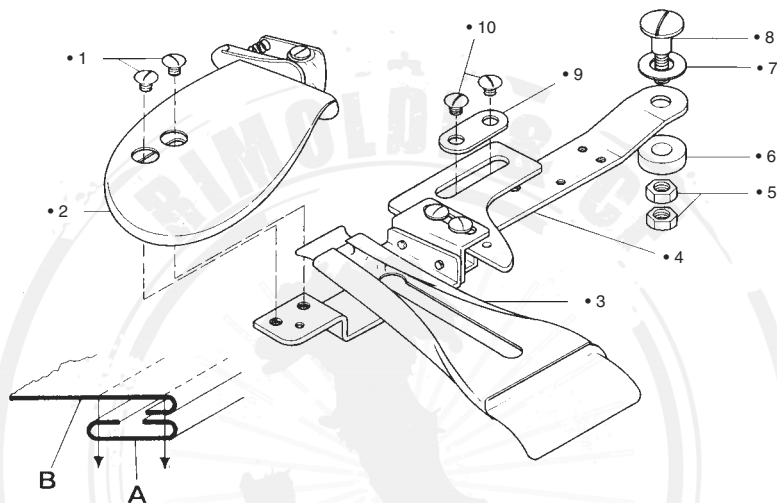
GO 340 SET

WAISTBAND
FOLDER

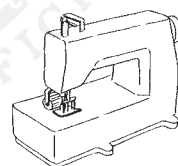
GUIDA
PER CINTURE

GUIDE
CEINTURE

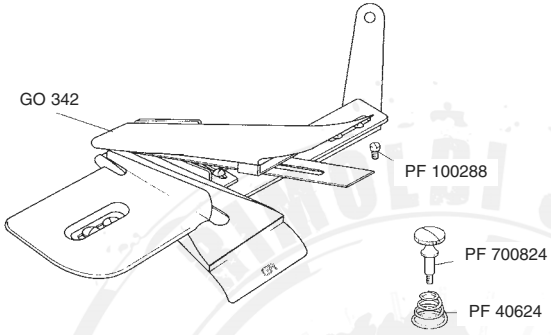


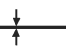
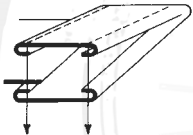
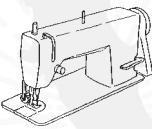
GUIADOR
PARA PRETINAS

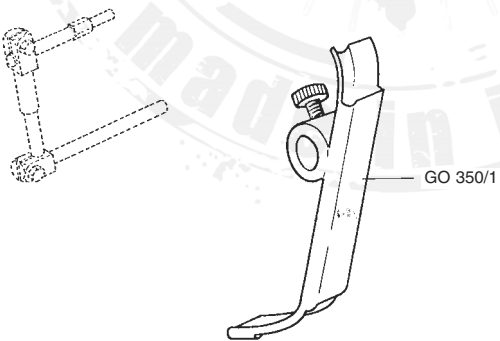



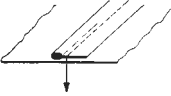
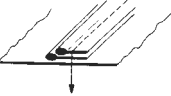
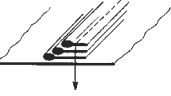


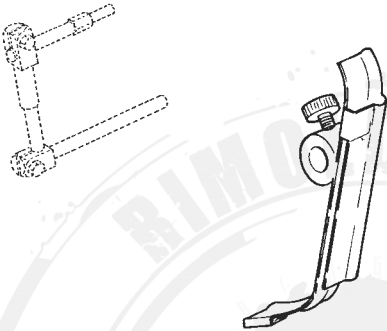

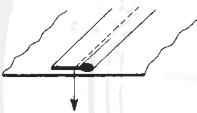
Pos.	Code No. UNION SPECIAL	Code No. RIMOLDI	Code No. KANSAI		
•	GO 340/2 SET	GO 340/1 SET	GO 340/3 SET		
1	CF A2012	CF A2012	CF A2012		
2	GO 338	GO 338	GO 338		
3	GO 339	GO 339	GO 339		
4	GO 428	GO 427	GO 426		
5	P746407				
6	CF A2066				
7	P702437				
8	CF A2067				
9	CF A2065	CF A2065	CF A2065		
10	CF A1084	CF A1084	CF A1084		

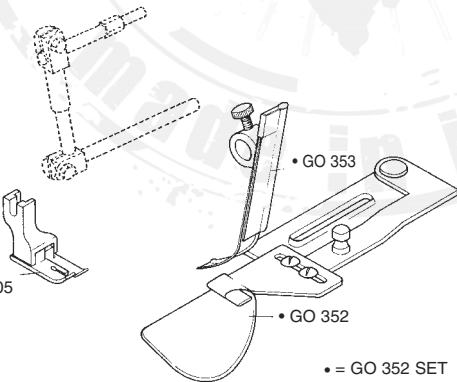


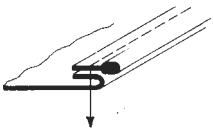
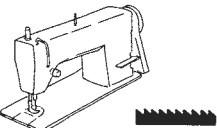


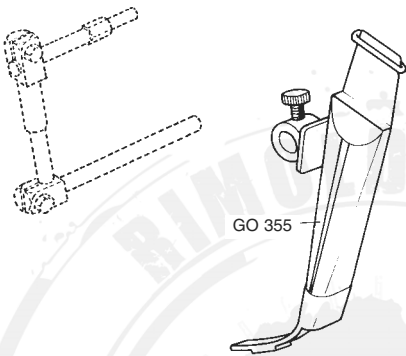


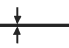
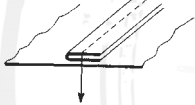
A		A		A		B		Adjustable from 10 to 20 mm	Adjustable from 3/8 to 25/32 inch	A RICHIESTA: GUIDE FUORI MISURA ON REQUEST: ALL THE OTHER SIZES
mm	inch	mm	inch	A	B	mm	inch			
51	2	30	1-3/16	L	M					
57	2-1/4	36	1-7/16	L	M					
63	2-1/2	43	1-11/16	L	M					
51	2	30	1-3/16	M	H					
57	2-1/4	36	1-7/16	M	H					
63	2-1/2	43	1-11/16	M	H					
51	2	30	1-3/16	H	XH					
57	2-1/4	36	1-7/16	H	XH					
63	2-1/2	43	1-11/16	H	XH					

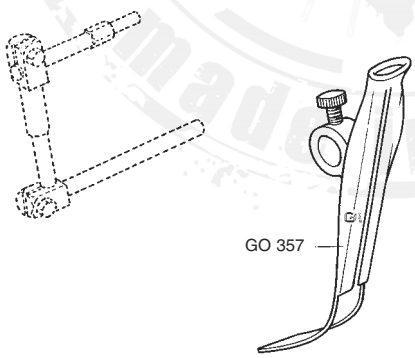


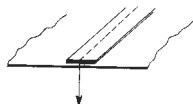
<p>GO 342</p>	<p>WAISTBAND FOLDER FOR SHORT STRIPS WITH INITIAL FINISHING</p>	<p>GUIDA PER CINTURE CON FINITURA ALL'INIZIO</p>	<p>GUIDE CEINTURE AVEC FINITION INITIALE</p>	<p>GUIADOR PARA PRETINAS CON ACABADO AL INICIO</p>																									
			 <table border="1"> <tr> <td>mm</td> <td>inch</td> </tr> <tr> <td>51</td> <td>2</td> </tr> <tr> <td>57</td> <td>2-1/4</td> </tr> <tr> <td>63</td> <td>2-1/2</td> </tr> </table>	mm	inch	51	2	57	2-1/4	63	2-1/2	 <table border="1"> <tr> <td>mm</td> <td>inch</td> </tr> <tr> <td>30</td> <td>1-3/16</td> </tr> <tr> <td>36</td> <td>1-7/16</td> </tr> <tr> <td>43</td> <td>1-11/16</td> </tr> </table>	mm	inch	30	1-3/16	36	1-7/16	43	1-11/16	 <table border="1"> <tr> <td></td> <td></td> </tr> <tr> <td>MH</td> <td></td> </tr> <tr> <td>MH</td> <td></td> </tr> <tr> <td>MH</td> <td></td> </tr> </table>			MH		MH		MH	
mm	inch																												
51	2																												
57	2-1/4																												
63	2-1/2																												
mm	inch																												
30	1-3/16																												
36	1-7/16																												
43	1-11/16																												
MH																													
MH																													
MH																													
		<p>A RICHIESTA: GUIDE FUORI MISURA ON REQUEST: ALL THE OTHER SIZES</p>																											

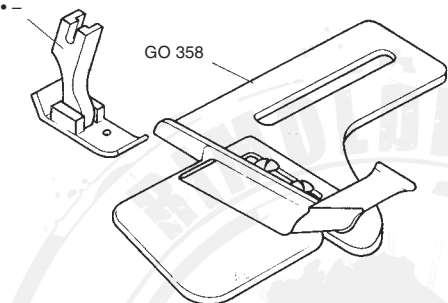

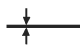


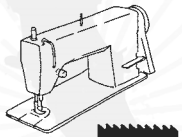
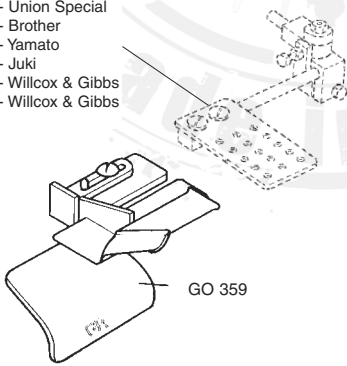


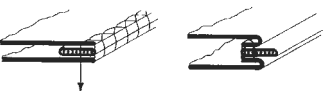
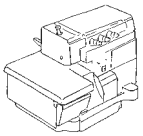
<p>GO 350</p>	<p>READY-MADE PIPING ATTACHMENT</p>	<p>GUIDA PER PROFILO PREFABBRICATO</p>	<p>GUIDE PASSEPOIL PREFABRIQUE</p>	<p>GUIA PARA VIVO PREFABRICADO</p>													
			<p>GO 350/1</p>  <table border="1"> <tr> <td>mm</td> <td>inch</td> </tr> <tr> <td>10</td> <td>3/8</td> </tr> </table>	mm	inch	10	3/8	<p>GO 350/2</p>  <table border="1"> <tr> <td>mm</td> <td>inch</td> </tr> <tr> <td>12</td> <td>1/2</td> </tr> </table>	mm	inch	12	1/2	<p>GO 350/3</p>  <table border="1"> <tr> <td>mm</td> <td>inch</td> </tr> <tr> <td>15</td> <td>19/32</td> </tr> </table>	mm	inch	15	19/32
mm	inch																
10	3/8																
mm	inch																
12	1/2																
mm	inch																
15	19/32																
<p>GO 350/1</p> 	<p>GO 350/2</p> 	<p>GO 350/3</p> 	<p>A RICHIESTA: GUIDE FUORI MISURA ON REQUEST: ALL THE OTHER SIZES</p>														

<p>GO 351</p>	<p>READY-MADE PIPING ATTACHMENT</p>	<p>GUIDA PER PROFILO PREFABBRICATO</p>	<p>GUIDE PASSEPOIL PREFABRIQUE</p>	<p>GUIA PARA VIVO PREFABRICADO</p>
				
			<p>mm inch 10 3/8</p>	<p>A RICHIESTA: GUIDE FUORI MISURA ON REQUEST: ALL THE OTHER SIZES</p>

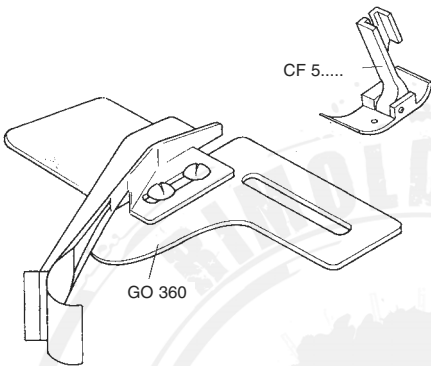
<p>GO 352 SET</p>	<p>READY-MADE PIPING ATTACHMENT WITH FOOT</p>	<p>GUIDA PER PROFILO PREFABBRICATO CON PIEDINO</p>	<p>GUIDE PASSEPOIL PREFABRIQUE AVEC PIED-DE BICHE</p>	<p>GUIA PARA VIVO PREFABRICADO CON PRENSATELAS</p>
 <p>• CF 609/05</p> <p>• GO 353</p> <p>• GO 352</p> <p>• = GO 352 SET</p>				
 			<p>mm inch 7 9/32</p>	<p>mm inch 10 3/8</p> <p>A RICHIESTA: GUIDE FUORI MISURA ON REQUEST: ALL THE OTHER SIZES</p>

<h2>GO 355</h2>	FOLDER FOR PIPING	PIEGATORE PER PROFILO	GUIDE POUR PASSEPOIL	GUIA PARA VIVO																																																													
			 <table border="1"> <thead> <tr> <th>mm</th> <th>inch</th> </tr> </thead> <tbody> <tr><td>15</td><td>19/32</td></tr> <tr><td>20</td><td>3/4</td></tr> <tr><td>25</td><td>1</td></tr> <tr><td>30</td><td>1-3/16</td></tr> </tbody> </table>	mm	inch	15	19/32	20	3/4	25	1	30	1-3/16	 <table border="1"> <thead> <tr> <th>mm</th> <th>inch</th> </tr> </thead> <tbody> <tr><td>7,5</td><td>19/64</td></tr> <tr><td>10</td><td>3/8</td></tr> <tr><td>12,5</td><td>1/2</td></tr> <tr><td>15</td><td>19/32</td></tr> <tr><td>7,5</td><td>19/64</td></tr> <tr><td>10</td><td>3/8</td></tr> <tr><td>12,5</td><td>1/2</td></tr> <tr><td>15</td><td>19/32</td></tr> <tr><td>7,5</td><td>19/64</td></tr> <tr><td>10</td><td>3/8</td></tr> <tr><td>12,5</td><td>1/2</td></tr> <tr><td>15</td><td>19/32</td></tr> </tbody> </table>	mm	inch	7,5	19/64	10	3/8	12,5	1/2	15	19/32	7,5	19/64	10	3/8	12,5	1/2	15	19/32	7,5	19/64	10	3/8	12,5	1/2	15	19/32	 <table border="1"> <thead> <tr> <th></th> <th></th> </tr> </thead> <tbody> <tr><td>L</td><td>L</td></tr> <tr><td>L</td><td>L</td></tr> <tr><td>L</td><td>L</td></tr> <tr><td>L</td><td>L</td></tr> <tr><td>M</td><td>M</td></tr> <tr><td>M</td><td>M</td></tr> <tr><td>M</td><td>M</td></tr> <tr><td>H</td><td>H</td></tr> <tr><td>H</td><td>H</td></tr> <tr><td>H</td><td>H</td></tr> <tr><td>H</td><td>H</td></tr> </tbody> </table>			L	L	L	L	L	L	L	L	M	M	M	M	M	M	H	H	H	H	H	H	H	H
mm	inch																																																																
15	19/32																																																																
20	3/4																																																																
25	1																																																																
30	1-3/16																																																																
mm	inch																																																																
7,5	19/64																																																																
10	3/8																																																																
12,5	1/2																																																																
15	19/32																																																																
7,5	19/64																																																																
10	3/8																																																																
12,5	1/2																																																																
15	19/32																																																																
7,5	19/64																																																																
10	3/8																																																																
12,5	1/2																																																																
15	19/32																																																																
L	L																																																																
L	L																																																																
L	L																																																																
L	L																																																																
M	M																																																																
M	M																																																																
M	M																																																																
H	H																																																																
H	H																																																																
H	H																																																																
H	H																																																																
			<p>A RICHIESTA: GUIDE FUORI MISURA ON REQUEST: ALL THE OTHER SIZES</p>																																																														

<h2>GO 357</h2>	ATTACHMENT FOR INSERTION OF A READY-MADE EDGING	GUIDA PER INSERIMENTO BANDA PREFABBRICATA	GUIDE POUR POSE DE PETITES BANDES PREFABRIQUEES	GUIA PARA INSERCIÓN DE TIRAS PREFABRICADAS																	
			 <table border="1"> <thead> <tr> <th>mm</th> <th>inch</th> </tr> </thead> <tbody> <tr><td>7</td><td>9/32</td></tr> <tr><td>8</td><td>5/16</td></tr> <tr><td>10</td><td>3/8</td></tr> </tbody> </table>	mm	inch	7	9/32	8	5/16	10	3/8	 <table border="1"> <thead> <tr> <th></th> <th></th> </tr> </thead> <tbody> <tr><td>M</td><td>M</td></tr> <tr><td>M</td><td>M</td></tr> <tr><td>M</td><td>M</td></tr> </tbody> </table>			M	M	M	M	M	M	
mm	inch																				
7	9/32																				
8	5/16																				
10	3/8																				
M	M																				
M	M																				
M	M																				
			<p>A RICHIESTA: GUIDE FUORI MISURA ON REQUEST: ALL THE OTHER SIZES</p>																		

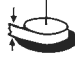
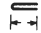


<p>GO 358</p>	<p>ATTACHMENT FOR INSERTION OF A READY-MADE EDGING</p>	<p>GUIDA PER INSERIMENTO BANDA PREFABBRICATA</p>	<p>GUIDE POUR POSE DE PETITES BANDES PREFABRIQUEES</p>	<p>GUIA PARA INSERCIÓN DE TIRAS PREFABRICADAS</p>																						
 <p>GO 358</p>			 <table border="1" data-bbox="666 255 744 335"> <tr> <td>mm</td> <td>inch</td> </tr> <tr> <td>7</td> <td>9/32</td> </tr> <tr> <td>9</td> <td>11/32</td> </tr> <tr> <td>10</td> <td>3/8</td> </tr> </table>	mm	inch	7	9/32	9	11/32	10	3/8	 <table border="1" data-bbox="756 255 834 335"> <tr> <td>M</td> </tr> <tr> <td>M</td> </tr> <tr> <td>M</td> </tr> </table>	M	M	M	 <table border="1" data-bbox="856 255 918 335"> <tr> <td>CF 506</td> </tr> <tr> <td>CF 508</td> </tr> <tr> <td>CF 509</td> </tr> </table>	CF 506	CF 508	CF 509							
mm	inch																									
7	9/32																									
9	11/32																									
10	3/8																									
M																										
M																										
M																										
CF 506																										
CF 508																										
CF 509																										
			<p>A RICHIESTA: GUIDE FUORI MISURA ON REQUEST: ALL THE OTHER SIZES</p>																							
<p>GO 359</p>	<p>ATTACHMENT FOR INSERTION OF A READY-MADE EDGING FOR OVERLOCK</p>	<p>GUIDA PER INSERIMENTO BANDA PREFABBRICATA PER TAGLIACUCE</p>	<p>GUIDE POUR POSE DE PETITES BANDES PREFABRIQUEES SUR SURJTEUSES</p>	<p>GUIA PARA INSERCIÓN DE TIRAS PREFABRICADAS PARA OVERLOCK</p>																						
<p>GO 432 - Rimoldi GO 433 - Union Special GO 439 - Brother GO 440 - Yamato GO 443 - Juki GO 446 - Willcox & Gibbs GO 447 - Willcox & Gibbs</p>  <p>GO 359</p>			 <table border="1" data-bbox="666 981 744 1117"> <tr> <td>mm</td> <td>inch</td> </tr> <tr> <td>7</td> <td>9/32</td> </tr> <tr> <td>8</td> <td>5/16</td> </tr> <tr> <td>9</td> <td>11/32</td> </tr> <tr> <td>10</td> <td>3/8</td> </tr> <tr> <td>10</td> <td>3/8</td> </tr> <tr> <td>12</td> <td>1/2</td> </tr> </table>	mm	inch	7	9/32	8	5/16	9	11/32	10	3/8	10	3/8	12	1/2	 <table border="1" data-bbox="756 981 834 1117"> <tr> <td>M</td> </tr> <tr> <td>M</td> </tr> <tr> <td>M</td> </tr> <tr> <td>M</td> </tr> <tr> <td>H</td> </tr> <tr> <td>H</td> </tr> </table>	M	M	M	M	H	H		
mm	inch																									
7	9/32																									
8	5/16																									
9	11/32																									
10	3/8																									
10	3/8																									
12	1/2																									
M																										
M																										
M																										
M																										
H																										
H																										
			<p>A RICHIESTA: GUIDE FUORI MISURA ON REQUEST: ALL THE OTHER SIZES</p>																							


<p>GO 360</p>	<p>PIPING ATTACHMENT FOR LOCKSTITCH</p>	<p>PROFILATORE PER MACCHINE LINEARI</p>	<p>GUIDE PASSEPOIL POUR PIQUEUSES</p>	<p>GUIA PARA VIVO EN MAQUINAS DE PESPUNTE</p>
----------------------	---	---	---------------------------------------	---

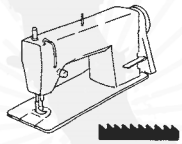


CF 5.....

GO 360

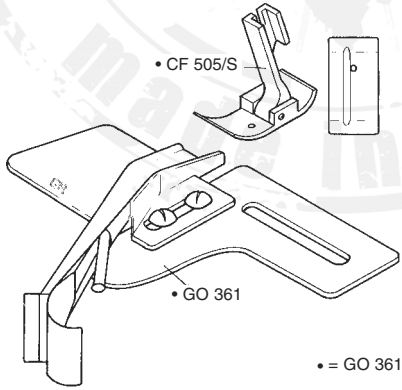
			
mm inch	mm inch		
14 9/16	7 9/32		
16 5/8	8 5/16	M	CF 506
19 3/4	9,5 3/8	M	CF 507
20 13/16	10 13/32	M	CF 508
22 7/8	11 7/16	H	CF 509
25 1	12,5 1/2	M - H	CF 510
30 1-3/16	15 19/32	M - H	CF 510
		M - H	CF 512





**A RICHIESTA:
GUIDE FUORI MISURA
ON REQUEST:
ALL THE OTHER SIZES**




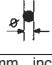
<p>GO 361 SET</p>	<p>CORD EDGE PIPING ATTACHMENT WITH FOOT</p>	<p>PROFILATORE CON CORDONETTO COMPLETO DI PIEDINO</p>	<p>GUIDE POUR PASSEPOIL AVEC CORDONNET COMPLET AVEC PIED-DE-BICHE</p>	<p>GUIA PARA VIVO CON CORDON COMPLETA DE PRENSATELAS</p>
--------------------------	--	---	---	--

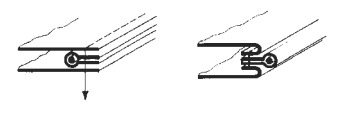


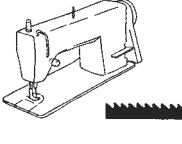
• CF 505/S

GO 361

• = GO 361 SET

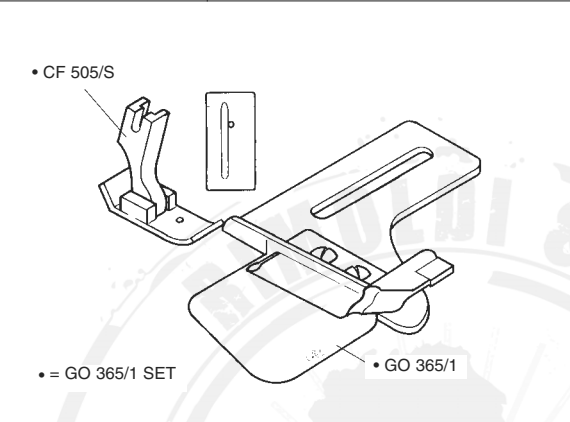
			
mm inch	mm inch		mm inch
14 9/16	7 9/32		2 5/64
19 3/4	9,5 3/8	M	2 5/64
20 13/16	10 13/32	M	2 5/64
22 7/8	11 7/16	M	2 5/64





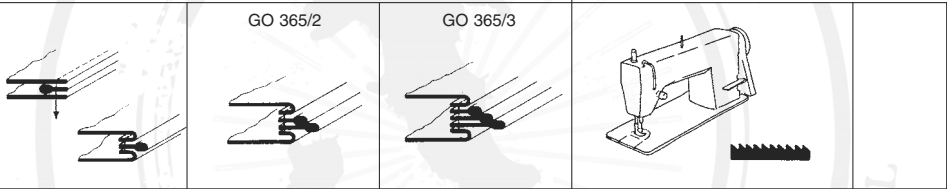
**A RICHIESTA:
GUIDE FUORI MISURA
ON REQUEST:
ALL THE OTHER SIZES**

GO 365/1 SET	READY-MADE PIPING ATTACHMENT WITH FOOT	GUIDA PER PROFILO PREFABBRICATO CON PIEDINO	GUIDE POUR PASSEPOIL PREFABRIQUE AVEC PIED-DE-BICHE	GUIA PARA VIVO PREFABRICADO CON PRENSATELAS
---------------------	--	---	---	---

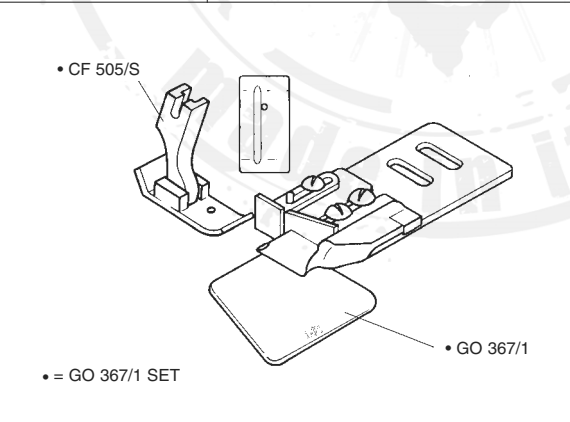


GO 365/1	mm 8	inch 5/16	CF 505/S
GO 365/2	10	3/8	CF 505/S
GO 365/3	12	1/2	
	15	19/32	

**A RICHIESTA:
GUIDE FUORI MISURA
ON REQUEST:
ALL THE OTHER SIZES**

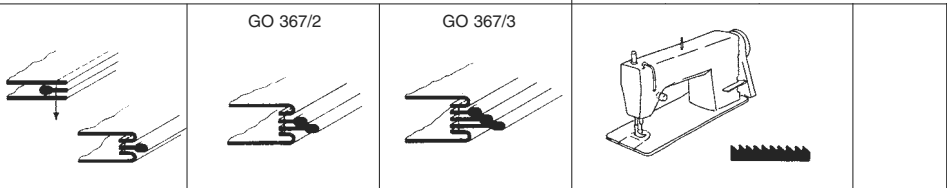


GO 367/1 SET	ADJUSTABLE READY-MADE PIPING ATTACHMENT WITH FOOT	GUIDA REGOLABILE PER PROFILO PREFABBRICATO CON PIEDINO	GUIDE REGLABLE POUR PASSEPOIL PREFABRIQUE AVEC PIED-DE-BICHE	GUIA REGULABLE PARA VIVO PREFABRICADO CON PRENSATELAS
---------------------	---	--	--	---

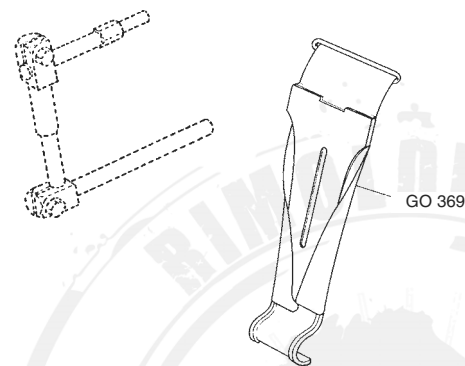


GO 367/1	mm 8	inch 5/16	CF 505/S
GO 367/2	10	3/8	CF 505/S
GO 367/3	12	1/2	
	15	19/32	


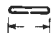

**A RICHIESTA:
GUIDE FUORI MISURA
ON REQUEST:
ALL THE OTHER SIZES**




GO 369	TAPE FOLDER WITH REINFORCEMENT	GUIDA PER BANDE CON RINFORZO	GUIDE BANDES AVEC RENFORT	GUIA PARA BANDAS CON REFUERZO
---------------	--------------------------------------	------------------------------------	---------------------------------	-------------------------------------



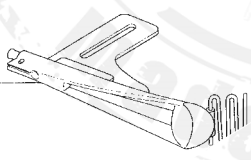
GO 369

			
mm inch	mm inch		
45 1-3/4	21 53/64		
55 2-3/16	26 1-1/32	L	
59 2-5/16	28 1-7/64	L	
65 2-9/16	31 1-7/32	L	
71 2-13/16	34 1-11/32	L	
75 2-15/16	36 1-27/64	L	
85 3-3/8	41 1-5/8	L	


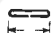



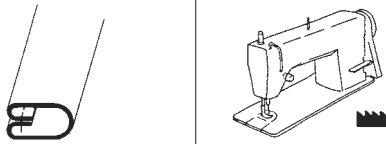
**A RICHIESTA:
GUIDE FUORI MISURA
ON REQUEST:
ALL THE OTHER SIZES**

GO 370 SET	SPAGHETTI ATTACHMENT WITH PULLER FOR LOCKSTITCH MACHINES	APPARECCHIO SPAGHETTI CON PULLER PER MACCHINE LINEARI	GUIDE SPAGHETTI AVEC PULLER POUR PIQUEUSES	GUIA PARA ESPAGUETI CON PULLER EN MAQUINAS PLANAS
-------------------	--	---	--	---

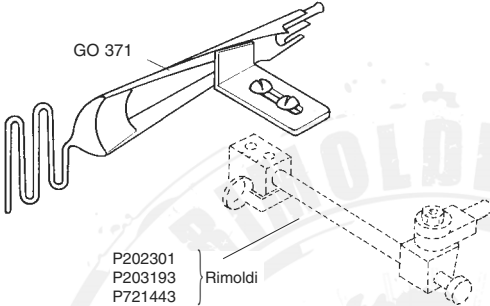
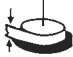
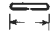


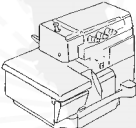


• GO 370

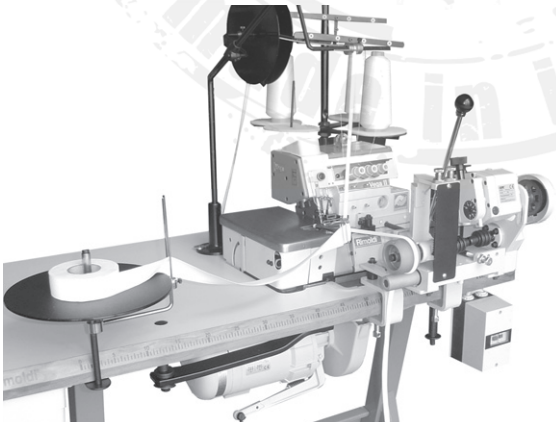
			
mm inch	mm inch		
16 5/8	4 5/32	L - M	
18 11/16	4,5 3/16	M	
20 3/4	5 3/16	M	
22 7/8	6 1/4	M	
25 1	7 9/32	M	
30 1-3/16	8 5/16	M	
35 1-3/8	10 3/8	M	
40 1-9/16	12 1/2	M	
50 2	20 3/4	M	

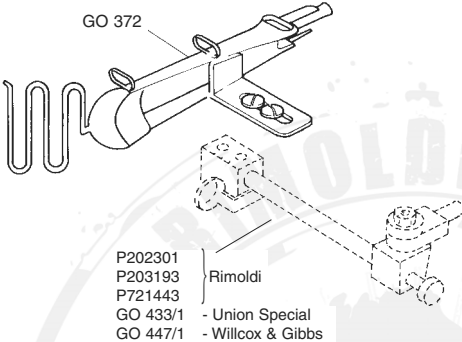

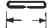


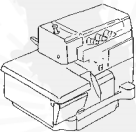


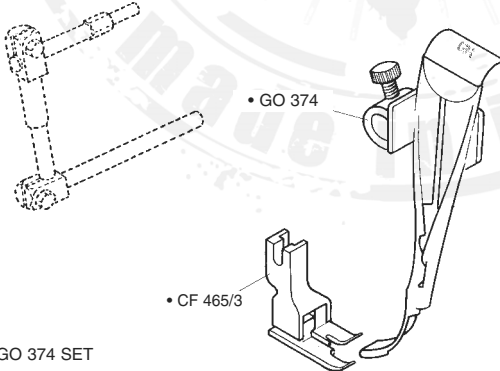



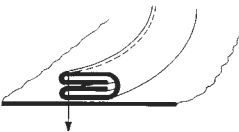
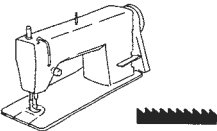
**A RICHIESTA:
GUIDE FUORI MISURA
ON REQUEST:
ALL THE OTHER SIZES**

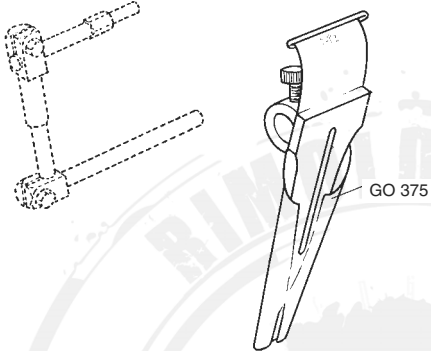
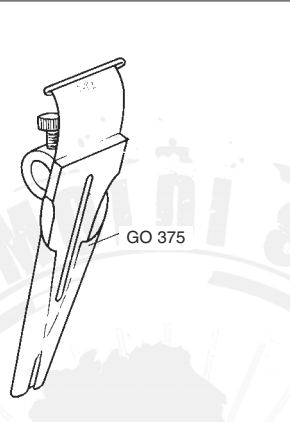

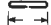

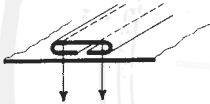
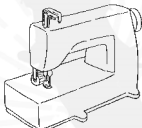
GO 371	SPAGHETTI ATTACHMENT FOR OVERLOCK	APPARECCHIO SPAGHETTI PER TAGLIACUCE	GUIDE SPAGHETTI POUR SURJETEUSE	GUIA ESPAGUETI PARA OVERLOCK																																																		
 <p>GO 371</p> <p>P202301 P203193 P721443 GO 433/1 GO 447/1</p> <p>Rimoldi - Union Special - Willcox & Gibbs</p>																																																						
	<table border="1"> <thead> <tr> <th>mm</th> <th>inch</th> <th>mm</th> <th>inch</th> </tr> </thead> <tbody> <tr><td>16</td><td>5/8</td><td>4</td><td>5/32</td></tr> <tr><td>18</td><td>11/16</td><td>4,5</td><td>3/16</td></tr> <tr><td>20</td><td>3/4</td><td>5</td><td>13/64</td></tr> <tr><td>22</td><td>7/8</td><td>6</td><td>1/4</td></tr> <tr><td>25</td><td>1</td><td>7</td><td>9/32</td></tr> <tr><td>30</td><td>1-3/16</td><td>8</td><td>5/16</td></tr> <tr><td>35</td><td>1-3/8</td><td>10</td><td>3/8</td></tr> <tr><td>40</td><td>1-9/16</td><td>12</td><td>1/2</td></tr> <tr><td>50</td><td>2</td><td>16</td><td>5/8</td></tr> <tr><td>55</td><td>2-3/16</td><td>18</td><td>11/16</td></tr> </tbody> </table>	mm	inch	mm	inch	16	5/8	4	5/32	18	11/16	4,5	3/16	20	3/4	5	13/64	22	7/8	6	1/4	25	1	7	9/32	30	1-3/16	8	5/16	35	1-3/8	10	3/8	40	1-9/16	12	1/2	50	2	16	5/8	55	2-3/16	18	11/16	<table border="1"> <thead> <tr> <th>L</th> </tr> </thead> <tbody> <tr><td>L</td></tr> <tr><td>L - M</td></tr> <tr><td>M</td></tr> <tr><td>M</td></tr> <tr><td>M</td></tr> <tr><td>M</td></tr> <tr><td>M</td></tr> <tr><td>M</td></tr> </tbody> </table>	L	L	L - M	M	M	M	M	M
mm	inch	mm	inch																																																			
16	5/8	4	5/32																																																			
18	11/16	4,5	3/16																																																			
20	3/4	5	13/64																																																			
22	7/8	6	1/4																																																			
25	1	7	9/32																																																			
30	1-3/16	8	5/16																																																			
35	1-3/8	10	3/8																																																			
40	1-9/16	12	1/2																																																			
50	2	16	5/8																																																			
55	2-3/16	18	11/16																																																			
L																																																						
L																																																						
L - M																																																						
M																																																						
M																																																						
M																																																						
M																																																						
M																																																						
M																																																						
																																																						

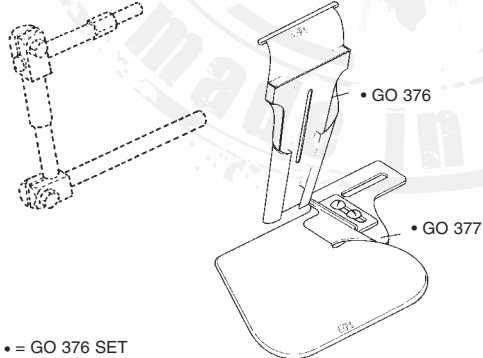
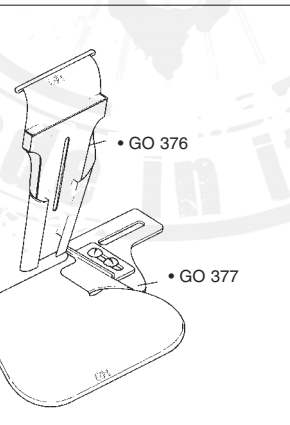



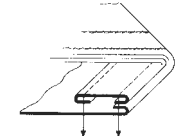
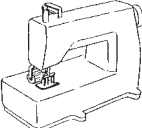
PULLER

	<p>PULLER PER LINEARE PULLER FOR LOCKSTITCH MACHINES CF PY-SP</p>
	<p>PULLER PER TAGLIACUCE PULLER FOR OVERLOCK CF PK-SP</p>

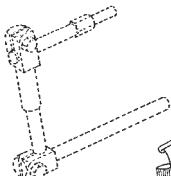
<p>GO 372</p>	<p>SPAGHETTI ATTACHMENT WITH ELASTIC FOR OVERLOCK</p>	<p>APPARECCHIO SPAGHETTI CON ELASTICO PER TAGLIACUCE</p>	<p>GUIDE SPAGHETTI AVEC ELASTIQUE POUR SURJETEUSE</p>	<p>GUIA ESPAGUETI CON ELASTICO PARA OVERLOCK</p>																																						
			 <table border="1"> <thead> <tr> <th>mm</th> <th>inch</th> </tr> </thead> <tbody> <tr><td>25</td><td>1</td></tr> <tr><td>30</td><td>1</td></tr> <tr><td>35</td><td>1-3/16</td></tr> <tr><td>38</td><td>1-1/2</td></tr> <tr><td>42</td><td>1-5/8</td></tr> </tbody> </table>	mm	inch	25	1	30	1	35	1-3/16	38	1-1/2	42	1-5/8	 <table border="1"> <thead> <tr> <th>mm</th> <th>inch</th> </tr> </thead> <tbody> <tr><td>8</td><td>5/16</td></tr> <tr><td>10</td><td>3/8</td></tr> <tr><td>12</td><td>1/2</td></tr> <tr><td>14</td><td>9/16</td></tr> <tr><td>16</td><td>5/8</td></tr> </tbody> </table>	mm	inch	8	5/16	10	3/8	12	1/2	14	9/16	16	5/8	 <table border="1"> <thead> <tr> <th>mm</th> <th>inch</th> </tr> </thead> <tbody> <tr><td>6</td><td>1/4</td></tr> <tr><td>8</td><td>5/16</td></tr> <tr><td>10</td><td>3/8</td></tr> <tr><td>12</td><td>1/2</td></tr> <tr><td>14</td><td>9/16</td></tr> </tbody> </table>	mm	inch	6	1/4	8	5/16	10	3/8	12	1/2	14	9/16	
mm	inch																																									
25	1																																									
30	1																																									
35	1-3/16																																									
38	1-1/2																																									
42	1-5/8																																									
mm	inch																																									
8	5/16																																									
10	3/8																																									
12	1/2																																									
14	9/16																																									
16	5/8																																									
mm	inch																																									
6	1/4																																									
8	5/16																																									
10	3/8																																									
12	1/2																																									
14	9/16																																									
		<p>A RICHIESTA: GUIDE FUORI MISURA ON REQUEST: ALL THE OTHER SIZES</p>																																								

<p>GO 374 SET</p>	<p>LAY-ON FOLDER WITH FOOT</p>	<p>PIEGATORE PER BANDA ORNAMENTALE CON PIEDINO</p>	<p>GUIDE POUR BIAIS AVEC PIED-DE-BICHE</p>	<p>GUIA PARA TIRA ORNAMENTAL CON PRENSATELAS</p>										
			 <table border="1"> <thead> <tr> <th>mm</th> <th>inch</th> </tr> </thead> <tbody> <tr><td>20</td><td>3/4</td></tr> </tbody> </table>	mm	inch	20	3/4	 <table border="1"> <thead> <tr> <th>mm</th> <th>inch</th> </tr> </thead> <tbody> <tr><td>5</td><td>13/64</td></tr> </tbody> </table>	mm	inch	5	13/64	 <p>M</p>	
mm	inch													
20	3/4													
mm	inch													
5	13/64													
		<p>A RICHIESTA: GUIDE FUORI MISURA ON REQUEST: ALL THE OTHER SIZES</p>												

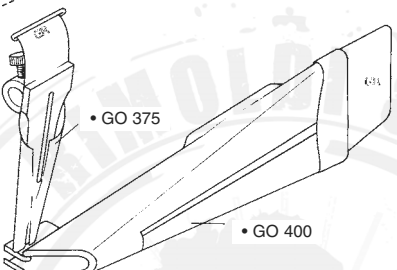
<h1>GO 375</h1>	<p>TAPE FOLDER</p>	<p>GUIDA PER BANDE</p>	<p>GUIDE POSE BANDES</p>	<p>GUIA PARA BANDAS</p>																																																																																																																												
 <p>GO 375</p>		   <table border="1"> <thead> <tr> <th>mm</th> <th>inch</th> <th>mm</th> <th>inch</th> <th></th> </tr> </thead> <tbody> <tr><td>12</td><td>1/2</td><td>6</td><td>1/4</td><td>L</td></tr> <tr><td>14</td><td>9/16</td><td>7</td><td>9/32</td><td>L</td></tr> <tr><td>16</td><td>5/8</td><td>8</td><td>5/16</td><td>L and M</td></tr> <tr><td>18</td><td>11/16</td><td>9</td><td>11/32</td><td>L - M</td></tr> <tr><td>20</td><td>3/4</td><td>10</td><td>3/8</td><td>M</td></tr> <tr><td>22</td><td>7/8</td><td>11</td><td>7/16</td><td>L - M</td></tr> <tr><td>24</td><td>15/16</td><td>12</td><td>15/32</td><td>M</td></tr> <tr><td>26</td><td>1-1/32</td><td>13</td><td>1/2</td><td>M</td></tr> <tr><td>28</td><td>1-1/8</td><td>14</td><td>9/16</td><td>L and M</td></tr> <tr><td>30</td><td>1-3/16</td><td>15</td><td>19/32</td><td>M</td></tr> <tr><td>32</td><td>1-1/4</td><td>16</td><td>5/8</td><td>L and M</td></tr> <tr><td>35</td><td>1-3/8</td><td>17</td><td>11/16</td><td>M</td></tr> <tr><td>38</td><td>1-1/2</td><td>19</td><td>3/4</td><td>L</td></tr> <tr><td>38</td><td>1-1/2</td><td>21</td><td>13/16</td><td>M</td></tr> <tr><td>40</td><td>1-9/16</td><td>22</td><td>7/8</td><td>L and M</td></tr> <tr><td>44</td><td>1-3/4</td><td>26</td><td>1-1/32</td><td>M</td></tr> <tr><td>47</td><td>1-27/32</td><td>29</td><td>1-5/32</td><td>L</td></tr> <tr><td>48</td><td>1-57/64</td><td>31</td><td>1-7/32</td><td>L</td></tr> <tr><td>50</td><td>2</td><td>32</td><td>1-1/4</td><td>M</td></tr> <tr><td>51</td><td>2</td><td>34</td><td>1-11/32</td><td>L</td></tr> <tr><td>54</td><td>2-1/8</td><td>36</td><td>1-7/16</td><td>L and M</td></tr> <tr><td>58</td><td>2-9/32</td><td>41</td><td>1-5/8</td><td>L</td></tr> <tr><td>60</td><td>2-3/8</td><td>42</td><td>1-21/32</td><td>M</td></tr> <tr><td>73</td><td>2-7/8</td><td>55</td><td>2-3/16</td><td>M</td></tr> </tbody> </table>	mm	inch	mm	inch		12	1/2	6	1/4	L	14	9/16	7	9/32	L	16	5/8	8	5/16	L and M	18	11/16	9	11/32	L - M	20	3/4	10	3/8	M	22	7/8	11	7/16	L - M	24	15/16	12	15/32	M	26	1-1/32	13	1/2	M	28	1-1/8	14	9/16	L and M	30	1-3/16	15	19/32	M	32	1-1/4	16	5/8	L and M	35	1-3/8	17	11/16	M	38	1-1/2	19	3/4	L	38	1-1/2	21	13/16	M	40	1-9/16	22	7/8	L and M	44	1-3/4	26	1-1/32	M	47	1-27/32	29	1-5/32	L	48	1-57/64	31	1-7/32	L	50	2	32	1-1/4	M	51	2	34	1-11/32	L	54	2-1/8	36	1-7/16	L and M	58	2-9/32	41	1-5/8	L	60	2-3/8	42	1-21/32	M	73	2-7/8	55	2-3/16	M	
mm	inch	mm	inch																																																																																																																													
12	1/2	6	1/4	L																																																																																																																												
14	9/16	7	9/32	L																																																																																																																												
16	5/8	8	5/16	L and M																																																																																																																												
18	11/16	9	11/32	L - M																																																																																																																												
20	3/4	10	3/8	M																																																																																																																												
22	7/8	11	7/16	L - M																																																																																																																												
24	15/16	12	15/32	M																																																																																																																												
26	1-1/32	13	1/2	M																																																																																																																												
28	1-1/8	14	9/16	L and M																																																																																																																												
30	1-3/16	15	19/32	M																																																																																																																												
32	1-1/4	16	5/8	L and M																																																																																																																												
35	1-3/8	17	11/16	M																																																																																																																												
38	1-1/2	19	3/4	L																																																																																																																												
38	1-1/2	21	13/16	M																																																																																																																												
40	1-9/16	22	7/8	L and M																																																																																																																												
44	1-3/4	26	1-1/32	M																																																																																																																												
47	1-27/32	29	1-5/32	L																																																																																																																												
48	1-57/64	31	1-7/32	L																																																																																																																												
50	2	32	1-1/4	M																																																																																																																												
51	2	34	1-11/32	L																																																																																																																												
54	2-1/8	36	1-7/16	L and M																																																																																																																												
58	2-9/32	41	1-5/8	L																																																																																																																												
60	2-3/8	42	1-21/32	M																																																																																																																												
73	2-7/8	55	2-3/16	M																																																																																																																												
		<p>A RICHIESTA: GUIDE FUORI MISURA ON REQUEST: ALL THE OTHER SIZES</p>																																																																																																																														

<h1>GO 376 SET</h1>	<p>ATTACHMENTS FOR THE FRONT OF BATH-WRAPPS</p>	<p>GUIDE PER PARAMONTURA ACCAPPATOIO</p>	<p>GUIDE POUR PAREMENTURES DE PEIGNOIRS DE BAIN</p>	<p>GUIA PARA EL ACABADO DE ALBORNOCES</p>																											
 <p>• GO 376</p> <p>• GO 377</p> <p>• = GO 376 SET</p>		   <table border="1"> <thead> <tr> <th>mm</th> <th>inch</th> <th>mm</th> <th>inch</th> <th>mm</th> <th>inch</th> <th></th> </tr> </thead> <tbody> <tr><td>40</td><td>1-9/16</td><td>20</td><td>3/4</td><td>15</td><td>19/32</td><td>XH</td></tr> <tr><td>55</td><td>2-3/16</td><td>30</td><td>1-3/16</td><td>15</td><td>19/32</td><td>XH</td></tr> <tr><td>70</td><td>2-3/4</td><td>45</td><td>1-3/4</td><td>15</td><td>19/32</td><td>XH</td></tr> </tbody> </table>	mm	inch	mm	inch	mm	inch		40	1-9/16	20	3/4	15	19/32	XH	55	2-3/16	30	1-3/16	15	19/32	XH	70	2-3/4	45	1-3/4	15	19/32	XH	
mm	inch	mm	inch	mm	inch																										
40	1-9/16	20	3/4	15	19/32	XH																									
55	2-3/16	30	1-3/16	15	19/32	XH																									
70	2-3/4	45	1-3/4	15	19/32	XH																									
		<p>A RICHIESTA: GUIDE FUORI MISURA ON REQUEST: ALL THE OTHER SIZES</p>																													

GO 378 SET	TAPE AND SPLIT-TUBE FOLDERS FOR BINDING	GUIDA PER BANDE E COLLARETTO	GUIDE COLLERETTE ET POSE-BANDES	GUIA PARA BANDAY COLLARIN
-------------------	---	------------------------------	---------------------------------	---------------------------



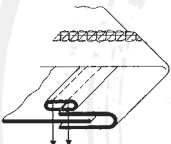
• GO 378 SET

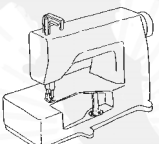


• GO 375

• GO 400

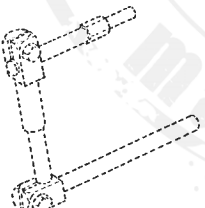
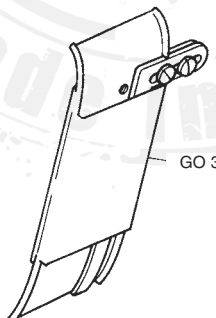
GO 375		GO 400	
mm	inch	mm	inch
12	1/2	6	1/4
14	9/16	7	9/32
18	11/16	9	11/32
20	3/4	10	3/8
22	7/8	11	7/16
		25,5	1
		32	1-1/4
		38	1-1/2
		44,5	1-3/4
		51	2
		63	2-1/2
		70	2-3/4
			7,5 5/16
			10 3/8
			12,5 1/2
			16 5/8
			19 3/4
			22 7/8
			25,5 1
			32 1-1/4
			35 1-3/8





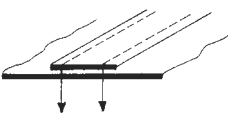
**A RICHIESTA:
GUIDE FUORI MISURA
ON REQUEST:
ALL THE OTHER SIZES**

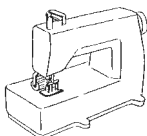
GO 379	ADJUSTABLE ATTACHMENT TO APPLY STRIPS	GUIDA REGOLABILE PER STRISCE CIMOSATE	GUIDE REGLABLE POSE BANDES	GUIA REGULABLE PARA TIRAS ACABADAS
---------------	---------------------------------------	---------------------------------------	----------------------------	------------------------------------

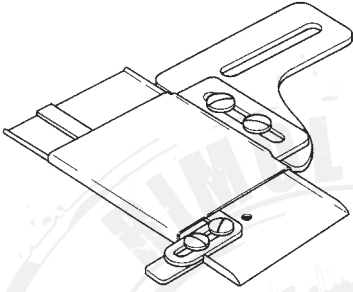
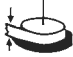
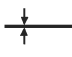
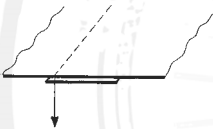
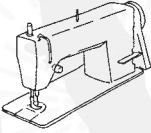
GO 379

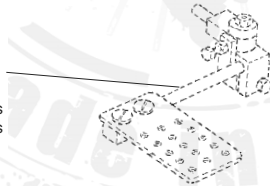
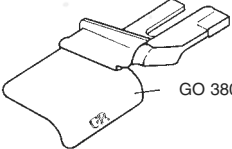


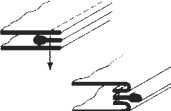

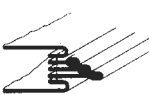
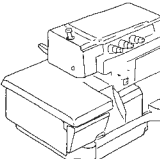
Adjustable from 0 to 32 mm	M and H
Adjustable from 0 to 42 mm	M and H
Adjustable from 0 to 1-1/4	M and H
Adjustable from 0 to 1-21/32	M and H



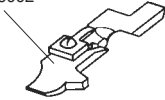
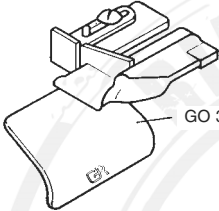
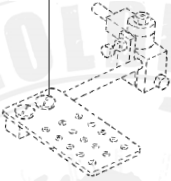




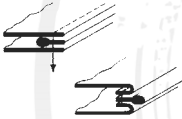


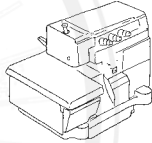
**A RICHIESTA:
GUIDE FUORI MISURA
ON REQUEST:
ALL THE OTHER SIZES**

<p>GO 379/1</p>	<p>ADJUSTABLE ATTACHMENT TO APPLY STRIPS</p>	<p>GUIDA REGOLABILE PER STRISCE CIMOSATE</p>	<p>GUIDE REGLABLE POSE BANDES</p>	<p>GUÍA REGULABLE PARA TIRAS ACABADAS</p>	
			 <p>Adjustable from 0 to 42 mm Adjustable from 0 to 1-21/32 inches</p>	 <p>M and H M and H</p>	
		<p>A RICHIESTA: GUIDE FUORI MISURA ON REQUEST: ALL THE OTHER SIZES</p>			

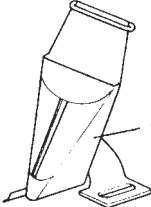
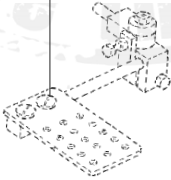



<p>GO 380</p>	<p>READY-MADE PIPING ATTACHMENT FOR OVERLOCK</p>	<p>GUIDA PER PROFILO PREFABBRICATO SU TAGLIACUCE</p>	<p>GUIDE POUR PASSEPOIL PREFABRIQUE POUR SURJETEUSES</p>	<p>GUÍA PARA VIVO PREFABRICADO EN OVERLOCK</p>																
<p>GO 432 - Rimoldi GO 433 - Union Special GO 439 - Brother GO 440 - Yamato GO 443 - Juki GO 446 - Willcox & Gibbs GO 447 - Willcox & Gibbs</p>  <p>BM 6001 BM 6002</p>  <p>GO 380/1</p>			 <table border="1"> <tr> <td></td> <td>mm</td> <td>inch</td> </tr> <tr> <td>GO 380/1</td> <td>8</td> <td>5/16</td> </tr> <tr> <td>GO 380/2</td> <td>10</td> <td>3/8</td> </tr> <tr> <td>GO 380/3</td> <td>12</td> <td>1/2</td> </tr> <tr> <td></td> <td>15</td> <td>19/32</td> </tr> </table>		mm	inch	GO 380/1	8	5/16	GO 380/2	10	3/8	GO 380/3	12	1/2		15	19/32	 <p>BM 6001 BM 6002</p>	
	mm	inch																		
GO 380/1	8	5/16																		
GO 380/2	10	3/8																		
GO 380/3	12	1/2																		
	15	19/32																		
<p>A RICHIESTA: GUIDE FUORI MISURA ON REQUEST: ALL THE OTHER SIZES</p>																				
	<p>GO 380/2</p> 	<p>GO 380/3</p> 																		

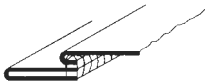
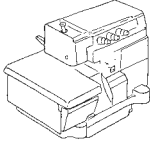
GO 381	ADJUSTABLE READY-MADE PIPING ATTACHMENT FOR OVERLOCK	GUIDA PER PROFILO PREFABBRICATO SU TAGLIACUCE	GUIDE REGLABLE POUR PASSEPOIL PREFABRIQUE POUR SURJETEUSES	GUIA REGULABLE PARA VIVO PREFABRICADO EN OVERLOCK
---------------	---	--	---	--

 <p>BM 6001 BM 6002</p>	<p>GO 432 - Rimoldi GO 433 - Union Special GO 439 - Brother GO 440 - Yamato GO 443 - Juki GO 446 - Willcox & Gibbs GO 447 - Willcox & Gibbs</p>  <p>GO 381</p> 		<table border="1"> <tr> <td></td> <td>mm</td> <td>inch</td> </tr> <tr> <td>GO 381/1</td> <td>10</td> <td>3/8</td> </tr> <tr> <td>GO 381/2</td> <td>12</td> <td>1/2</td> </tr> <tr> <td>GO 381/3</td> <td>15</td> <td>19/32</td> </tr> </table>		mm	inch	GO 381/1	10	3/8	GO 381/2	12	1/2	GO 381/3	15	19/32	 <p>BM 6001</p>	<p>A RICHIESTA: GUIDE FUORI MISURA ON REQUEST: ALL THE OTHER SIZES</p>
	mm	inch															
GO 381/1	10	3/8															
GO 381/2	12	1/2															
GO 381/3	15	19/32															

	<p>GO 381/2</p> 	<p>GO 381/3</p> 	
--	---	---	---

GO 385	OVERLOCK FOLDER	PIEGATORE PER TAGLIACUCE	PLIEUR POUR SURJETEUSE	RIBETADOR PARA OVERLOCK
---------------	-----------------	-----------------------------	---------------------------	----------------------------

 <p>GO 385</p>	<p>GO 432 - Rimoldi GO 433 - Union Special GO 439 - Brother GO 440 - Yamato GO 443 - Juki GO 446 - Willcox & Gibbs GO 447 - Willcox & Gibbs</p> 	 <table border="1"> <tr> <td>mm</td> <td>inch</td> <td>mm</td> <td>inch</td> </tr> <tr> <td>40</td> <td>1-9/16</td> <td>20</td> <td>3/4</td> </tr> <tr> <td>45</td> <td>1-3/4</td> <td>22</td> <td>7/8</td> </tr> <tr> <td>50</td> <td>2</td> <td>25</td> <td>1</td> </tr> <tr> <td>56</td> <td>2-3/16</td> <td>28</td> <td>1-1/8</td> </tr> <tr> <td>64</td> <td>2-1/2</td> <td>32</td> <td>1-1/4</td> </tr> <tr> <td>80</td> <td>3-3/16</td> <td>40</td> <td>1-9/16</td> </tr> <tr> <td>90</td> <td>3-9/16</td> <td>45</td> <td>1-3/4</td> </tr> <tr> <td>110</td> <td>4-5/16</td> <td>55</td> <td>2-3/16</td> </tr> <tr> <td>120</td> <td>4-3/4</td> <td>60</td> <td>2-3/8</td> </tr> <tr> <td>140</td> <td>5-1/2</td> <td>70</td> <td>2-3/4</td> </tr> </table>	mm	inch	mm	inch	40	1-9/16	20	3/4	45	1-3/4	22	7/8	50	2	25	1	56	2-3/16	28	1-1/8	64	2-1/2	32	1-1/4	80	3-3/16	40	1-9/16	90	3-9/16	45	1-3/4	110	4-5/16	55	2-3/16	120	4-3/4	60	2-3/8	140	5-1/2	70	2-3/4		 <p>Me H Me H Me H Me H Me H Me H Me H Me H Me H Me H</p>	<p>A RICHIESTA: GUIDE FUORI MISURA ON REQUEST: ALL THE OTHER SIZES</p>
mm	inch	mm	inch																																														
40	1-9/16	20	3/4																																														
45	1-3/4	22	7/8																																														
50	2	25	1																																														
56	2-3/16	28	1-1/8																																														
64	2-1/2	32	1-1/4																																														
80	3-3/16	40	1-9/16																																														
90	3-9/16	45	1-3/4																																														
110	4-5/16	55	2-3/16																																														
120	4-3/4	60	2-3/8																																														
140	5-1/2	70	2-3/4																																														

		<p>A RICHIESTA: GUIDE FUORI MISURA ON REQUEST: ALL THE OTHER SIZES</p>
---	---	---

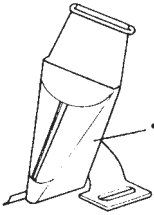
GO 386 SET

OVERLOCK PIPING
FOLDER

PIEGATORE
CON PROFILO
PER TAGLIACUCE

PLIEUR AVEC
PASSEPOIL
POUR SURJETEUSE

RIBETEADOR
CON VIVO
PARA OVERLOCK

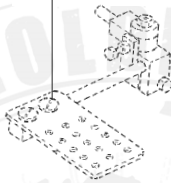


• GO 385

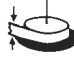

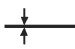


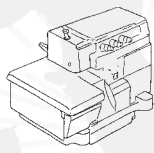
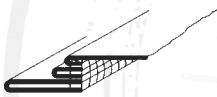
• GO 330

GO 432 - Rimoldi
GO 433 - Union Special
GO 439 - Brother
GO 440 - Yamato
GO 443 - Juki
GO 446 - Willcox & Gibbs
GO 447 - Willcox & Gibbs



• = GO 386 SET

					
	mm	inch	mm	inch	
GO 330	19	3/4	9	11/32	M
	25	1	12	1/2	M
	30	1-3/16	15	19/32	M
	20	3/4	10	3/8	H
GO 385	22	7/8	11	7/16	H
	30	1-3/16	15	19/32	H
	56	2-7/32	28	1-1/8	M
	64	2-1/2	32	1-1/4	M
	90	3-9/16	45	1-3/4	M
	120	4-3/4	60	2-3/8	M
	140	5-1/2	70	2-3/4	M
	56	2-7/32	28	1-1/8	H
	140	5-1/2	70	2-3/4	H



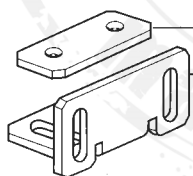
**A RICHIESTA:
GUIDE FUORI MISURA
ON REQUEST:
ALL THE OTHER SIZES**

SPLIT-TUBE FOLDER
SUPPORTS

SUPPORTI PER
GUIDE COLLARETTO

FIXATIONS
POUR GUIDE
COLLERETTE

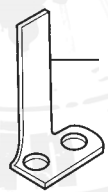
SOPORTES PARA
GUIAS DE
COLLARIN



P321347

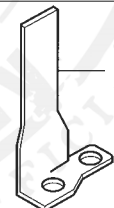
P321346

FOR RIMOLDI F 63



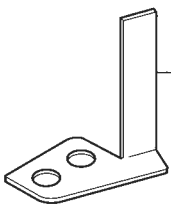
P300129

CUT SIZE UP to 99 mm
RIMOLDI 263



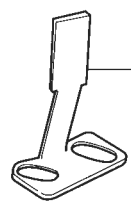
P300174

CUT SIZE OVER 100 mm
RIMOLDI 263



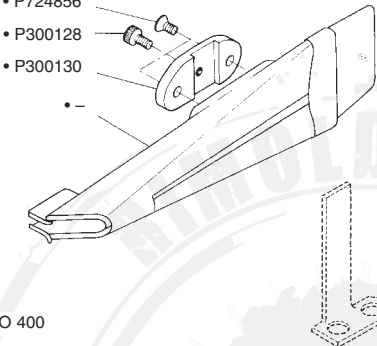

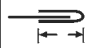
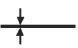

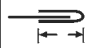
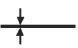

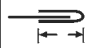
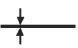
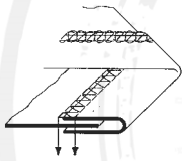
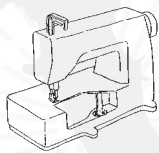
CF 530

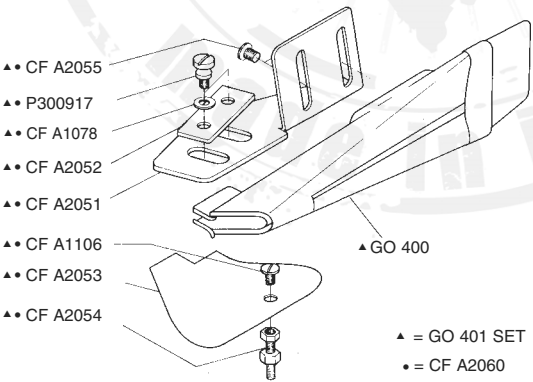

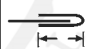


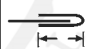


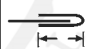

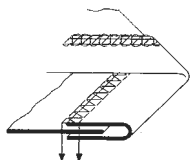
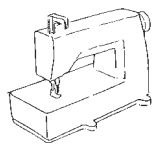
FOR UNION SPECIAL
622,623, KANSAI 8800



CF 531

FOR KANSAI 8100, YAMATO BROTHER,
MAUSER, PEGASUS MACHINES

<h1>GO 400</h1>	SPLIT-TUBE FOLDER	GUIDA PER COLLARETTI	GUIDE COLLERETTE	GUIDA PARA COLLARINES																																																																																																																																																		
 <ul style="list-style-type: none"> • P724856 • P300128 • P300130 <p>• = GO 400</p>		<table border="1"> <thead> <tr> <th></th> <th colspan="2"></th> <th colspan="2"></th> <th colspan="2"></th> </tr> <tr> <th></th> <th>mm</th> <th>inch</th> <th>mm</th> <th>inch</th> <th>mm</th> <th>inch</th> </tr> </thead> <tbody> <tr><td>094-A</td><td>15</td><td>19/32</td><td>7,5</td><td>19,64</td><td>1</td><td>3/64</td></tr> <tr><td>094-0</td><td>20</td><td>3/4</td><td>10</td><td>3/8</td><td>1,4</td><td>1/16</td></tr> <tr><td>094-1</td><td>25,5</td><td>1</td><td>12,5</td><td>1/2</td><td>1,5</td><td>1/16</td></tr> <tr><td>094-2</td><td>25,5</td><td>1</td><td>12,5</td><td>1/2</td><td>2</td><td>5/64</td></tr> <tr><td>094-3</td><td>32</td><td>1-1/4</td><td>16</td><td>5/8</td><td>1,5</td><td>1/16</td></tr> <tr><td>094-4</td><td>32</td><td>1-1/4</td><td>16</td><td>5/8</td><td>2</td><td>5/64</td></tr> <tr><td>094-5</td><td>38</td><td>1-1/2</td><td>19</td><td>3/4</td><td>2</td><td>5/64</td></tr> <tr><td>094-6</td><td>38</td><td>1-1/2</td><td>19</td><td>3/4</td><td>2,7</td><td>7/64</td></tr> <tr><td>094-7</td><td>44,5</td><td>1-3/4</td><td>22</td><td>7/8</td><td>2</td><td>5/64</td></tr> <tr><td>094-8</td><td>44,5</td><td>1-3/4</td><td>22</td><td>7/8</td><td>3</td><td>1/8</td></tr> <tr><td>094-9</td><td>51</td><td>2</td><td>25,5</td><td>1</td><td>2</td><td>5/64</td></tr> <tr><td>094-10</td><td>51</td><td>2</td><td>25,5</td><td>1</td><td>3,2</td><td>1/8</td></tr> <tr><td>094-11</td><td>63,5</td><td>2-1/2</td><td>32</td><td>1-1/4</td><td>2</td><td>5/64</td></tr> <tr><td>094-12</td><td>63,5</td><td>2-1/2</td><td>32</td><td>1-1/4</td><td>3,5</td><td>9/64</td></tr> <tr><td>094-12A</td><td>70</td><td>2-3/4</td><td>35</td><td>1-3/8</td><td>2</td><td>5/64</td></tr> <tr><td>094-15</td><td>80</td><td>3-1/8</td><td>39</td><td>1-9/16</td><td>2,5</td><td>3/32</td></tr> <tr><td>094-13</td><td>100</td><td>3-15/16</td><td>50</td><td>2</td><td>2,5</td><td>3/32</td></tr> <tr><td>094-14</td><td>120</td><td>4-3/4</td><td>60</td><td>2-3/8</td><td>2,5</td><td>3/32</td></tr> <tr><td>094-16</td><td>130</td><td>5-1/8</td><td>65</td><td>2-9/16</td><td>2,5</td><td>3/32</td></tr> </tbody> </table>									mm	inch	mm	inch	mm	inch	094-A	15	19/32	7,5	19,64	1	3/64	094-0	20	3/4	10	3/8	1,4	1/16	094-1	25,5	1	12,5	1/2	1,5	1/16	094-2	25,5	1	12,5	1/2	2	5/64	094-3	32	1-1/4	16	5/8	1,5	1/16	094-4	32	1-1/4	16	5/8	2	5/64	094-5	38	1-1/2	19	3/4	2	5/64	094-6	38	1-1/2	19	3/4	2,7	7/64	094-7	44,5	1-3/4	22	7/8	2	5/64	094-8	44,5	1-3/4	22	7/8	3	1/8	094-9	51	2	25,5	1	2	5/64	094-10	51	2	25,5	1	3,2	1/8	094-11	63,5	2-1/2	32	1-1/4	2	5/64	094-12	63,5	2-1/2	32	1-1/4	3,5	9/64	094-12A	70	2-3/4	35	1-3/8	2	5/64	094-15	80	3-1/8	39	1-9/16	2,5	3/32	094-13	100	3-15/16	50	2	2,5	3/32	094-14	120	4-3/4	60	2-3/8	2,5	3/32	094-16	130	5-1/8	65	2-9/16	2,5	3/32	
																																																																																																																																																						
	mm	inch	mm	inch	mm	inch																																																																																																																																																
094-A	15	19/32	7,5	19,64	1	3/64																																																																																																																																																
094-0	20	3/4	10	3/8	1,4	1/16																																																																																																																																																
094-1	25,5	1	12,5	1/2	1,5	1/16																																																																																																																																																
094-2	25,5	1	12,5	1/2	2	5/64																																																																																																																																																
094-3	32	1-1/4	16	5/8	1,5	1/16																																																																																																																																																
094-4	32	1-1/4	16	5/8	2	5/64																																																																																																																																																
094-5	38	1-1/2	19	3/4	2	5/64																																																																																																																																																
094-6	38	1-1/2	19	3/4	2,7	7/64																																																																																																																																																
094-7	44,5	1-3/4	22	7/8	2	5/64																																																																																																																																																
094-8	44,5	1-3/4	22	7/8	3	1/8																																																																																																																																																
094-9	51	2	25,5	1	2	5/64																																																																																																																																																
094-10	51	2	25,5	1	3,2	1/8																																																																																																																																																
094-11	63,5	2-1/2	32	1-1/4	2	5/64																																																																																																																																																
094-12	63,5	2-1/2	32	1-1/4	3,5	9/64																																																																																																																																																
094-12A	70	2-3/4	35	1-3/8	2	5/64																																																																																																																																																
094-15	80	3-1/8	39	1-9/16	2,5	3/32																																																																																																																																																
094-13	100	3-15/16	50	2	2,5	3/32																																																																																																																																																
094-14	120	4-3/4	60	2-3/8	2,5	3/32																																																																																																																																																
094-16	130	5-1/8	65	2-9/16	2,5	3/32																																																																																																																																																
		<p>A RICHIESTA: GUIDE FUORI MISURA ON REQUEST: ALL THE OTHER SIZES</p>																																																																																																																																																				

<h1>GO 401 SET</h1>	SPLIT-TUBE FOLDER TO FIT FLAT BED MACHINES	GUIDA PER COLLARETTI PER MACCHINA PIANA	GUIDE COLLERETTE POUR PIQUEUSES	GUIDA PARA COLLARINES PARA MAQUINAS PLANAS																																																																																																															
 <ul style="list-style-type: none"> ▲ CF A2055 ▲ P300917 ▲ CF A1078 ▲ CF A2052 ▲ CF A2051 ▲ CF A1106 ▲ CF A2053 ▲ CF A2054 <p>▲ = GO 401 SET • = CF A2060</p>		<table border="1"> <thead> <tr> <th></th> <th colspan="2"></th> <th colspan="2"></th> <th colspan="2"></th> </tr> <tr> <th></th> <th>mm</th> <th>inch</th> <th>mm</th> <th>inch</th> <th>mm</th> <th>inch</th> </tr> </thead> <tbody> <tr><td>094-A</td><td>15</td><td>19/32</td><td>7,5</td><td>19,64</td><td>1</td><td>3/64</td></tr> <tr><td>094-0</td><td>20</td><td>3/4</td><td>10</td><td>3/8</td><td>1,4</td><td>1/16</td></tr> <tr><td>094-1</td><td>25,5</td><td>1</td><td>12,5</td><td>1/2</td><td>1,5</td><td>1/16</td></tr> <tr><td>094-2</td><td>25,5</td><td>1</td><td>12,5</td><td>1/2</td><td>2</td><td>5/64</td></tr> <tr><td>094-3</td><td>32</td><td>1-1/4</td><td>16</td><td>5/8</td><td>1,5</td><td>1/16</td></tr> <tr><td>094-4</td><td>32</td><td>1-1/4</td><td>16</td><td>5/8</td><td>2</td><td>5/64</td></tr> <tr><td>094-5</td><td>38</td><td>1-1/2</td><td>19</td><td>3/4</td><td>2</td><td>5/64</td></tr> <tr><td>094-6</td><td>38</td><td>1-1/2</td><td>19</td><td>3/4</td><td>2,7</td><td>7/64</td></tr> <tr><td>094-7</td><td>44,5</td><td>1-3/4</td><td>22</td><td>7/8</td><td>2</td><td>5/64</td></tr> <tr><td>094-8</td><td>44,5</td><td>1-3/4</td><td>22</td><td>7/8</td><td>3</td><td>1/8</td></tr> <tr><td>094-9</td><td>51</td><td>2</td><td>25,5</td><td>1</td><td>2</td><td>5/64</td></tr> <tr><td>094-10</td><td>51</td><td>2</td><td>25,5</td><td>1</td><td>3,2</td><td>1/8</td></tr> <tr><td>094-11</td><td>63,5</td><td>2-1/2</td><td>32</td><td>1-1/4</td><td>2</td><td>5/64</td></tr> <tr><td>094-12</td><td>63,5</td><td>2-1/2</td><td>32</td><td>1-1/4</td><td>3,5</td><td>9/64</td></tr> </tbody> </table>									mm	inch	mm	inch	mm	inch	094-A	15	19/32	7,5	19,64	1	3/64	094-0	20	3/4	10	3/8	1,4	1/16	094-1	25,5	1	12,5	1/2	1,5	1/16	094-2	25,5	1	12,5	1/2	2	5/64	094-3	32	1-1/4	16	5/8	1,5	1/16	094-4	32	1-1/4	16	5/8	2	5/64	094-5	38	1-1/2	19	3/4	2	5/64	094-6	38	1-1/2	19	3/4	2,7	7/64	094-7	44,5	1-3/4	22	7/8	2	5/64	094-8	44,5	1-3/4	22	7/8	3	1/8	094-9	51	2	25,5	1	2	5/64	094-10	51	2	25,5	1	3,2	1/8	094-11	63,5	2-1/2	32	1-1/4	2	5/64	094-12	63,5	2-1/2	32	1-1/4	3,5	9/64	
																																																																																																																			
	mm	inch	mm	inch	mm	inch																																																																																																													
094-A	15	19/32	7,5	19,64	1	3/64																																																																																																													
094-0	20	3/4	10	3/8	1,4	1/16																																																																																																													
094-1	25,5	1	12,5	1/2	1,5	1/16																																																																																																													
094-2	25,5	1	12,5	1/2	2	5/64																																																																																																													
094-3	32	1-1/4	16	5/8	1,5	1/16																																																																																																													
094-4	32	1-1/4	16	5/8	2	5/64																																																																																																													
094-5	38	1-1/2	19	3/4	2	5/64																																																																																																													
094-6	38	1-1/2	19	3/4	2,7	7/64																																																																																																													
094-7	44,5	1-3/4	22	7/8	2	5/64																																																																																																													
094-8	44,5	1-3/4	22	7/8	3	1/8																																																																																																													
094-9	51	2	25,5	1	2	5/64																																																																																																													
094-10	51	2	25,5	1	3,2	1/8																																																																																																													
094-11	63,5	2-1/2	32	1-1/4	2	5/64																																																																																																													
094-12	63,5	2-1/2	32	1-1/4	3,5	9/64																																																																																																													
		<p>A RICHIESTA: GUIDE FUORI MISURA ON REQUEST: ALL THE OTHER SIZES</p>																																																																																																																	

GO 402

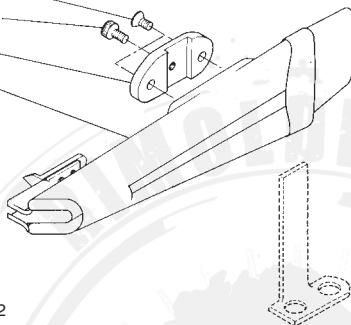
SPLIT-TUBE
FOLDER

GUIDA PER
COLLARETTI

GUIDE
COLLERETTE

GUIDA PARA
COLLARINES

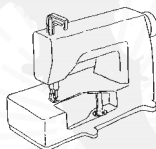
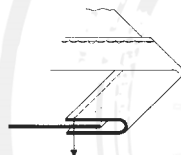
- P724856
- P300128
- P300130



• = GO 402



mm	inch	mm	inch	mm	inch
18	11/16	9	11/32	3	1/8
20	3/4	10	3/8	3	1/8
26	1	13	1/2	3	1/8
30	1-3/16	15	19/32	4	5/32
35	1-3/8	17	11/16	4	5/32
40	1-9/16	20	3/4	4	5/32
45	1-3/4	22	7/8	4	5/32
50	2	25	1	4	5/32
55	2-3/16	27	1-1/16	4	5/32
60	2-3/8	30	1-3/16	4	5/32
70	2-3/4	35	1-3/8	4	5/35
80	3-1/8	40	1-9/16	4	5/35
90	3-9/16	45	1-3/4	4	5/35



**A RICHIESTA:
GUIDE FUORI MISURA
ON REQUEST:
ALL THE OTHER SIZES**

GO 403 SET

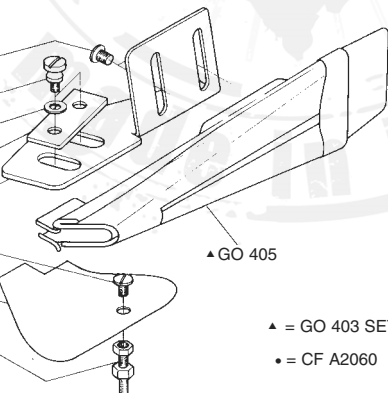
SPLIT-TUBE
FOLDER TO FIT
FLAT BED
MACHINES

GUIDA PER
COLLARETTI
PER MACCHINA
PIANA

GUIDE
COLLERETTE
POUR PIQUEUSES

GUIDA PARA
COLLARINES
PARA MAQUINAS
PLANAS

- ▲▲ CF A2055
- ▲▲ P300917
- ▲▲ CF A1078
- ▲▲ CF A2052
- ▲▲ CF A2051
- ▲▲ CF A1106
- ▲▲ CF A2053
- ▲▲ CF A2054



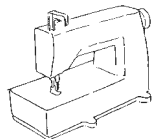
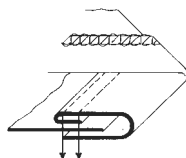
▲ GO 405

▲ = GO 403 SET

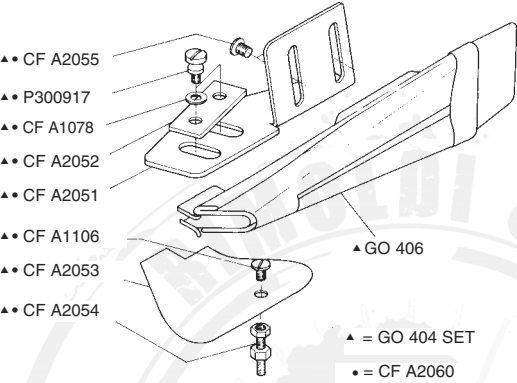
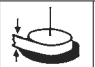

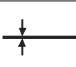
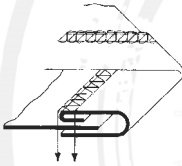
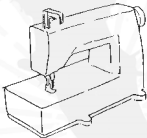
• = CF A2060

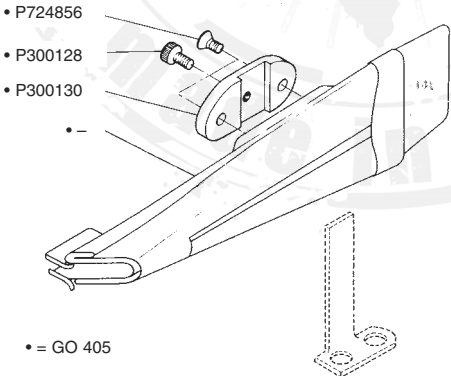
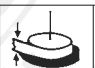

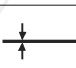
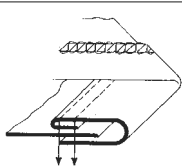
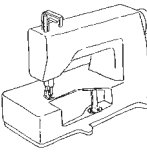


	mm	inch	mm	inch	mm	inch
095-A	22	7/8	8	5/16	1,5	1/16
095-0	27	1-1/16	10	3/8	1,3	3/64
095-1	32	1-1/4	12	1/2	1,7	1/16
095-2	32	1-1/4	12	1/2	2,7	7/64
095-3	38	1-1/2	16	5/8	1,7	1/16
095-4	38	1-1/2	16	5/8	2,7	7/64
095-5	45	1-3/4	19	3/4	2	5/64
095-6	45	1-3/4	19	3/4	3	1/8
095-7	51	2	21	13/16	2	5/64
095-8	51	2	21	13/16	3	1/8
095-9	57	2-1/4	25	1	2	5/64
095-10	57	2-1/4	25	1	3,2	1/8



**A RICHIESTA:
GUIDE FUORI MISURA
ON REQUEST:
ALL THE OTHER SIZES**

<h2>GO 404 SET</h2>	SPLIT-TUBE FOLDER TO FIT FLAT BED MACHINES	GUIDA PER COLLARETTI PER MACCHINA PIANA	GUIDE COLLERETTE POUR PIQUEUSES	GUIDA PARA COLLARINES PARA MAQUINAS PLANAS																																																																													
	<table border="1"> <thead> <tr> <th></th> <th>mm</th> <th>inch</th> <th>mm</th> <th>inch</th> <th>mm</th> <th>inch</th> </tr> </thead> <tbody> <tr><td>095B-1</td><td>33</td><td>1-5/16</td><td>12,5</td><td>1/2</td><td>1,7</td><td>1/16</td></tr> <tr><td>095B-2</td><td>33</td><td>1-5/16</td><td>12,5</td><td>1/2</td><td>2,7</td><td>7/64</td></tr> <tr><td>095B-3</td><td>40</td><td>1-9/16</td><td>16</td><td>5/8</td><td>1,7</td><td>1/16</td></tr> <tr><td>095B-4</td><td>40</td><td>1-9/16</td><td>16</td><td>5/8</td><td>2,7</td><td>7/64</td></tr> <tr><td>095B-5</td><td>47</td><td>1-7/8</td><td>19</td><td>3/4</td><td>2</td><td>5/64</td></tr> <tr><td>095B-6</td><td>47</td><td>1-7/8</td><td>19</td><td>3/4</td><td>3</td><td>1/8</td></tr> <tr><td>095B-7</td><td>53</td><td>2-3/32</td><td>22</td><td>7/8</td><td>2</td><td>5/64</td></tr> <tr><td>095B-8</td><td>53</td><td>2-3/32</td><td>22</td><td>7/8</td><td>3</td><td>1/8</td></tr> <tr><td>095B-9</td><td>59</td><td>2-5/16</td><td>25</td><td>1</td><td>2</td><td>5/64</td></tr> <tr><td>095B-10</td><td>59</td><td>2-5/16</td><td>25</td><td>1</td><td>3,2</td><td>1/8</td></tr> </tbody> </table>		mm	inch	mm	inch	mm	inch	095B-1	33	1-5/16	12,5	1/2	1,7	1/16	095B-2	33	1-5/16	12,5	1/2	2,7	7/64	095B-3	40	1-9/16	16	5/8	1,7	1/16	095B-4	40	1-9/16	16	5/8	2,7	7/64	095B-5	47	1-7/8	19	3/4	2	5/64	095B-6	47	1-7/8	19	3/4	3	1/8	095B-7	53	2-3/32	22	7/8	2	5/64	095B-8	53	2-3/32	22	7/8	3	1/8	095B-9	59	2-5/16	25	1	2	5/64	095B-10	59	2-5/16	25	1	3,2	1/8			
	mm	inch	mm	inch	mm	inch																																																																											
095B-1	33	1-5/16	12,5	1/2	1,7	1/16																																																																											
095B-2	33	1-5/16	12,5	1/2	2,7	7/64																																																																											
095B-3	40	1-9/16	16	5/8	1,7	1/16																																																																											
095B-4	40	1-9/16	16	5/8	2,7	7/64																																																																											
095B-5	47	1-7/8	19	3/4	2	5/64																																																																											
095B-6	47	1-7/8	19	3/4	3	1/8																																																																											
095B-7	53	2-3/32	22	7/8	2	5/64																																																																											
095B-8	53	2-3/32	22	7/8	3	1/8																																																																											
095B-9	59	2-5/16	25	1	2	5/64																																																																											
095B-10	59	2-5/16	25	1	3,2	1/8																																																																											
		<p>A RICHIESTA: GUIDE FUORI MISURA ON REQUEST: ALL THE OTHER SIZES</p>																																																																															

<h2>GO 405</h2>	SPLIT-TUBE FOLDER	GUIDA PER COLLARETTI	GUIDE COLLERETTE	GUIDA PARA COLLARINES																																																																																																																																												
	<table border="1"> <thead> <tr> <th></th> <th>mm</th> <th>inch</th> <th>mm</th> <th>inch</th> <th>mm</th> <th>inch</th> </tr> </thead> <tbody> <tr><td>095-A</td><td>22</td><td>7/8</td><td>8</td><td>5/16</td><td>1,5</td><td>1/16</td></tr> <tr><td>095-0</td><td>27</td><td>1-1/16</td><td>10</td><td>3/8</td><td>1,3</td><td>3/64</td></tr> <tr><td>095-1</td><td>32</td><td>1-1/4</td><td>12</td><td>1/2</td><td>1,7</td><td>1/16</td></tr> <tr><td>095-2</td><td>32</td><td>1-1/4</td><td>12</td><td>1/2</td><td>2,7</td><td>7/64</td></tr> <tr><td>095-3</td><td>38</td><td>1-1/2</td><td>16</td><td>5/8</td><td>1,7</td><td>1/16</td></tr> <tr><td>095-4</td><td>38</td><td>1-1/2</td><td>16</td><td>5/8</td><td>2,7</td><td>7/64</td></tr> <tr><td>095-5</td><td>45</td><td>1-3/4</td><td>19</td><td>3/4</td><td>2</td><td>5/64</td></tr> <tr><td>095-6</td><td>45</td><td>1-3/4</td><td>19</td><td>3/4</td><td>3</td><td>1/8</td></tr> <tr><td>095-7</td><td>51</td><td>2</td><td>21</td><td>13/16</td><td>2</td><td>5/64</td></tr> <tr><td>095-8</td><td>51</td><td>2</td><td>21</td><td>13/16</td><td>3</td><td>1/8</td></tr> <tr><td>095-9</td><td>57</td><td>2-1/4</td><td>25</td><td>1</td><td>2</td><td>5/64</td></tr> <tr><td>095-10</td><td>57</td><td>2-1/4</td><td>25</td><td>1</td><td>3,2</td><td>1/8</td></tr> <tr><td>095-11</td><td>72</td><td>2-13/16</td><td>32</td><td>1-1/4</td><td>2</td><td>5/64</td></tr> <tr><td>095-12</td><td>70</td><td>2-3/4</td><td>32</td><td>1-1/4</td><td>3,5</td><td>9/64</td></tr> <tr><td>095-13</td><td>80</td><td>3-1/8</td><td>37</td><td>1-7/16</td><td>2</td><td>5/64</td></tr> <tr><td>095-14</td><td>80</td><td>3-1/8</td><td>37</td><td>1-7/16</td><td>3,7</td><td>9/64</td></tr> <tr><td>095-15</td><td>100</td><td>3-15/16</td><td>47</td><td>1-7/8</td><td>3</td><td>1/8</td></tr> <tr><td>095-16</td><td>120</td><td>4-3/4</td><td>57</td><td>2-1/4</td><td>3</td><td>1/8</td></tr> <tr><td>095-17</td><td>130</td><td>5-1/8</td><td>62</td><td>2-7/16</td><td>3</td><td>1/8</td></tr> </tbody> </table>		mm	inch	mm	inch	mm	inch	095-A	22	7/8	8	5/16	1,5	1/16	095-0	27	1-1/16	10	3/8	1,3	3/64	095-1	32	1-1/4	12	1/2	1,7	1/16	095-2	32	1-1/4	12	1/2	2,7	7/64	095-3	38	1-1/2	16	5/8	1,7	1/16	095-4	38	1-1/2	16	5/8	2,7	7/64	095-5	45	1-3/4	19	3/4	2	5/64	095-6	45	1-3/4	19	3/4	3	1/8	095-7	51	2	21	13/16	2	5/64	095-8	51	2	21	13/16	3	1/8	095-9	57	2-1/4	25	1	2	5/64	095-10	57	2-1/4	25	1	3,2	1/8	095-11	72	2-13/16	32	1-1/4	2	5/64	095-12	70	2-3/4	32	1-1/4	3,5	9/64	095-13	80	3-1/8	37	1-7/16	2	5/64	095-14	80	3-1/8	37	1-7/16	3,7	9/64	095-15	100	3-15/16	47	1-7/8	3	1/8	095-16	120	4-3/4	57	2-1/4	3	1/8	095-17	130	5-1/8	62	2-7/16	3	1/8			
	mm	inch	mm	inch	mm	inch																																																																																																																																										
095-A	22	7/8	8	5/16	1,5	1/16																																																																																																																																										
095-0	27	1-1/16	10	3/8	1,3	3/64																																																																																																																																										
095-1	32	1-1/4	12	1/2	1,7	1/16																																																																																																																																										
095-2	32	1-1/4	12	1/2	2,7	7/64																																																																																																																																										
095-3	38	1-1/2	16	5/8	1,7	1/16																																																																																																																																										
095-4	38	1-1/2	16	5/8	2,7	7/64																																																																																																																																										
095-5	45	1-3/4	19	3/4	2	5/64																																																																																																																																										
095-6	45	1-3/4	19	3/4	3	1/8																																																																																																																																										
095-7	51	2	21	13/16	2	5/64																																																																																																																																										
095-8	51	2	21	13/16	3	1/8																																																																																																																																										
095-9	57	2-1/4	25	1	2	5/64																																																																																																																																										
095-10	57	2-1/4	25	1	3,2	1/8																																																																																																																																										
095-11	72	2-13/16	32	1-1/4	2	5/64																																																																																																																																										
095-12	70	2-3/4	32	1-1/4	3,5	9/64																																																																																																																																										
095-13	80	3-1/8	37	1-7/16	2	5/64																																																																																																																																										
095-14	80	3-1/8	37	1-7/16	3,7	9/64																																																																																																																																										
095-15	100	3-15/16	47	1-7/8	3	1/8																																																																																																																																										
095-16	120	4-3/4	57	2-1/4	3	1/8																																																																																																																																										
095-17	130	5-1/8	62	2-7/16	3	1/8																																																																																																																																										
		<p>A RICHIESTA: GUIDE FUORI MISURA ON REQUEST: ALL THE OTHER SIZES</p>																																																																																																																																														

GO 406

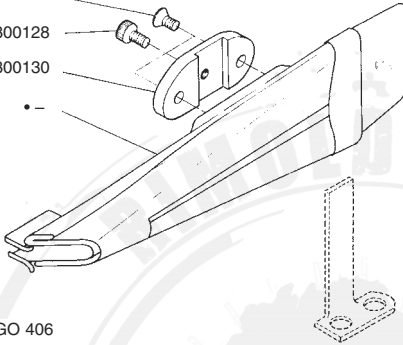
SPLIT-TUBE
FOLDER

GUIDA PER
COLLARETTI

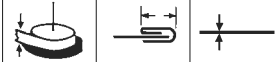
GUIDE
COLLERETTE

GUIDA PARA
COLLARINES

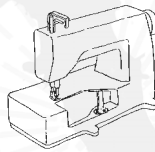
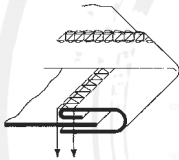
- P724856
- P300128
- P300130



• = GO 406



	mm	inch	mm	inch	mm	inch
095B-0	28	1-1/8	10	3/8	1,3	3/64
095B-1	33	1-5/16	12,5	1/2	1,7	1/16
095B-2	33	1-5/16	12,5	1/2	2,7	7/64
095B-3	40	1-9/16	16	5/8	1,7	1/16
095B-4	40	1-9/16	16	5/8	2,7	7/64
095B-5	47	1-7/8	19	3/4	2	5/64
095B-6	47	1-7/8	19	3/4	3	1/8
095B-7	53	2-3/32	22	7/8	2	5/64
095B-8	53	2-3/32	22	7/8	3	1/8
095B-9	59	2-5/16	25	1	2	5/64
095B-10	59	2-5/16	25	1	3,2	1/8
095B-11	72	2-7/8	32	1-1/4	2	5/64
095B-12	72	2-7/8	32	1-1/4	3,7	9/64
095B-13	82	3-1/4	37	1-7/16	2	5/64
095B-14	82	3-1/4	37	1-7/16	3,7	9/64
095B-15	103	4-1/16	47	1-7/8	3	1/8
095B-16	123	4-7/8	57	2-1/4	3	1/8
095B-17	133	5-1/4	62	2-7/16	3	1/8



**A RICHIESTA:
GUIDE FUORI MISURA
ON REQUEST:
ALL THE OTHER SIZES**

GO 407

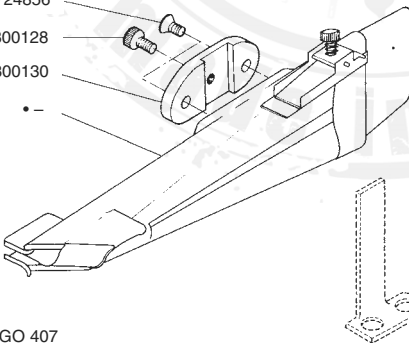
SPLIT-TUBE
FOLDER WITH
REINFORCEMENT

GUIDA PER
COLLARETTI
CON RINFORZO

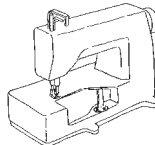
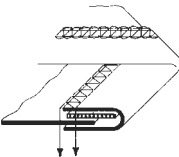
GUIDE
COLLERETTE
AVEC RENFORT

GUIDA PARA
COLLARINES
CON REFUERZO

- P724856
- P300128
- P300130



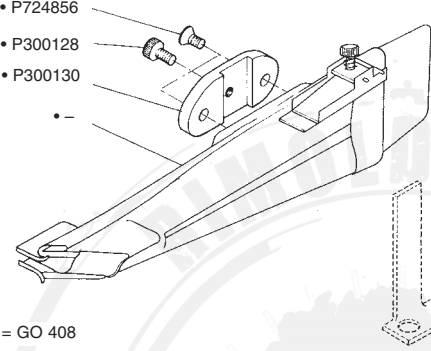
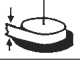
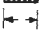
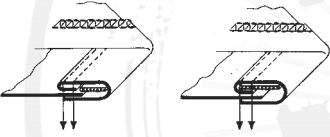
• = GO 407

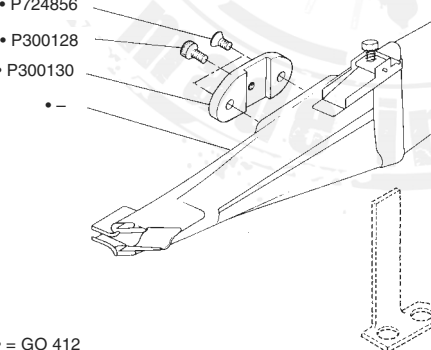


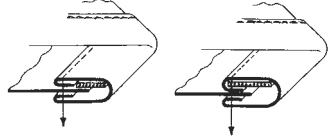


**COSTRUITO SU RICHIESTA
MANUFACTURED ON REQUEST
FABRIQUE SUR COMMANDE
SE CONSTRUYE SOBRE DEMANDA**

<h2>GO 409 SET</h2>	SPLIT-TUBE FOLDER TO FIT FLAT BED MACHINES	GUIDA PER COLLAJETTI PER MACCHINA PIANA	GUIDE COLLERETTE POUR PIQUEUSES	GUIDA PARA COLLARINES PARA MAQUINAS PLANAS																																																																																																								
<p>▲ = GO 409 SET ● = CF A2060</p>	<table border="1"> <thead> <tr> <th></th> <th colspan="2"></th> <th colspan="2"></th> <th colspan="2"></th> </tr> <tr> <th></th> <th>mm</th> <th>inch</th> <th>mm</th> <th>inch</th> <th>mm</th> <th>inch</th> </tr> </thead> <tbody> <tr><td>098A-2L</td><td>22</td><td>7/8</td><td>5,5</td><td>7/32</td><td>1</td><td>3/64</td></tr> <tr><td>098A-2H</td><td>22</td><td>7/8</td><td>5,5</td><td>7/32</td><td>2</td><td>5/64</td></tr> <tr><td>098A-3L</td><td>28</td><td>1-1/8</td><td>7</td><td>9/32</td><td>1</td><td>3/64</td></tr> <tr><td>098A-3H</td><td>28</td><td>1-1/8</td><td>7</td><td>9/32</td><td>2</td><td>5/64</td></tr> <tr><td>098A-4H</td><td>25</td><td>1</td><td>6</td><td>1/4</td><td>2</td><td>5/64</td></tr> <tr><td>098-0</td><td>32</td><td>1-1/4</td><td>8</td><td>5/16</td><td>1,5</td><td>1/16</td></tr> <tr><td>098A-0</td><td>35</td><td>1-3/8</td><td>10</td><td>3/8</td><td>2</td><td>5/64</td></tr> <tr><td>098-1</td><td>38</td><td>1-1/2</td><td>12</td><td>1/2</td><td>2</td><td>5/64</td></tr> <tr><td>098-2</td><td>42</td><td>1-11/16</td><td>14</td><td>9/16</td><td>2</td><td>5/64</td></tr> <tr><td>098-3</td><td>46</td><td>1-13/16</td><td>16</td><td>5/8</td><td>2</td><td>5/64</td></tr> <tr><td>098-4</td><td>56</td><td>2-3/16</td><td>21</td><td>13/16</td><td>2,5</td><td>3/32</td></tr> <tr><td>098-5</td><td>65</td><td>2-9/16</td><td>25</td><td>1</td><td>2</td><td>5/64</td></tr> <tr><td>098-6</td><td>66</td><td>2-5/8</td><td>26</td><td>1-1/32</td><td>3,5</td><td>9/64</td></tr> </tbody> </table>											mm	inch	mm	inch	mm	inch	098A-2L	22	7/8	5,5	7/32	1	3/64	098A-2H	22	7/8	5,5	7/32	2	5/64	098A-3L	28	1-1/8	7	9/32	1	3/64	098A-3H	28	1-1/8	7	9/32	2	5/64	098A-4H	25	1	6	1/4	2	5/64	098-0	32	1-1/4	8	5/16	1,5	1/16	098A-0	35	1-3/8	10	3/8	2	5/64	098-1	38	1-1/2	12	1/2	2	5/64	098-2	42	1-11/16	14	9/16	2	5/64	098-3	46	1-13/16	16	5/8	2	5/64	098-4	56	2-3/16	21	13/16	2,5	3/32	098-5	65	2-9/16	25	1	2	5/64	098-6	66	2-5/8	26	1-1/32	3,5	9/64
	mm	inch	mm	inch	mm	inch																																																																																																						
098A-2L	22	7/8	5,5	7/32	1	3/64																																																																																																						
098A-2H	22	7/8	5,5	7/32	2	5/64																																																																																																						
098A-3L	28	1-1/8	7	9/32	1	3/64																																																																																																						
098A-3H	28	1-1/8	7	9/32	2	5/64																																																																																																						
098A-4H	25	1	6	1/4	2	5/64																																																																																																						
098-0	32	1-1/4	8	5/16	1,5	1/16																																																																																																						
098A-0	35	1-3/8	10	3/8	2	5/64																																																																																																						
098-1	38	1-1/2	12	1/2	2	5/64																																																																																																						
098-2	42	1-11/16	14	9/16	2	5/64																																																																																																						
098-3	46	1-13/16	16	5/8	2	5/64																																																																																																						
098-4	56	2-3/16	21	13/16	2,5	3/32																																																																																																						
098-5	65	2-9/16	25	1	2	5/64																																																																																																						
098-6	66	2-5/8	26	1-1/32	3,5	9/64																																																																																																						
		<p>A RICHIESTA: GUIDE FUORI MISURA ON REQUEST: ALL THE OTHER SIZES</p>																																																																																																										

<h2>GO 410</h2>	SPLIT-TUBE FOLDER	GUIDA PER COLLAJETTI	GUIDE COLLERETTE	GUIDA PARA COLLARINES																																																																																																																																																																							
<p>● = GO 410</p>	<table border="1"> <thead> <tr> <th></th> <th colspan="2"></th> <th colspan="2"></th> <th colspan="2"></th> </tr> <tr> <th></th> <th>mm</th> <th>inch</th> <th>mm</th> <th>inch</th> <th>mm</th> <th>inch</th> </tr> </thead> <tbody> <tr><td>098A-2L</td><td>22</td><td>7/8</td><td>5,5</td><td>7/32</td><td>1</td><td>3/64</td></tr> <tr><td>098A-2H</td><td>22</td><td>7/8</td><td>5,5</td><td>7/32</td><td>2</td><td>5/64</td></tr> <tr><td>098A-3L</td><td>28</td><td>1-1/8</td><td>7</td><td>9/32</td><td>1</td><td>3/64</td></tr> <tr><td>098A-3H</td><td>28</td><td>1-1/8</td><td>7</td><td>9/32</td><td>2</td><td>5/64</td></tr> <tr><td>098A-4H</td><td>25</td><td>1</td><td>6</td><td>1/4</td><td>2</td><td>5/64</td></tr> <tr><td>098-0</td><td>32</td><td>1-1/4</td><td>8</td><td>5/16</td><td>1,5</td><td>1/16</td></tr> <tr><td>098A-0</td><td>35</td><td>1-3/8</td><td>10</td><td>3/8</td><td>2</td><td>5/64</td></tr> <tr><td>098-1</td><td>38</td><td>1-1/2</td><td>12</td><td>1/2</td><td>2</td><td>5/64</td></tr> <tr><td>098-2</td><td>42</td><td>1-11/16</td><td>14</td><td>9/16</td><td>2</td><td>5/64</td></tr> <tr><td>098-3</td><td>46</td><td>1-13/16</td><td>16</td><td>5/8</td><td>2</td><td>5/64</td></tr> <tr><td>098-4</td><td>56</td><td>2-3/16</td><td>21</td><td>13/16</td><td>2,5</td><td>3/32</td></tr> <tr><td>098-5</td><td>65</td><td>2-9/16</td><td>25</td><td>1</td><td>2</td><td>5/64</td></tr> <tr><td>098-6</td><td>66</td><td>2-5/8</td><td>26</td><td>1-1/32</td><td>3,5</td><td>9/64</td></tr> <tr><td>098-7</td><td>78</td><td>3-1/16</td><td>29</td><td>1-3/16</td><td>2</td><td>5/64</td></tr> <tr><td>098-8</td><td>78</td><td>3-1/16</td><td>32</td><td>1-1/4</td><td>1,4</td><td>1/16</td></tr> <tr><td>098-10</td><td>86</td><td>3-3/8</td><td>35</td><td>1-3/8</td><td>1,5</td><td>1/16</td></tr> <tr><td>098-11</td><td>92</td><td>3-5/8</td><td>38</td><td>1-1/2</td><td>1,2</td><td>3/64</td></tr> <tr><td>098-12</td><td>96</td><td>3-3/4</td><td>40</td><td>1-9/16</td><td>2,5</td><td>3/32</td></tr> <tr><td>098-13</td><td>96</td><td>3-3/4</td><td>40</td><td>1-9/16</td><td>3,5</td><td>9/64</td></tr> <tr><td>098-14</td><td>100</td><td>3-15/16</td><td>42</td><td>1-11/16</td><td>1,5</td><td>1/16</td></tr> <tr><td>098-15</td><td>130</td><td>5-1/8</td><td>57</td><td>2-1/4</td><td>2,5</td><td>3/32</td></tr> <tr><td>098-16</td><td>130</td><td>5-1/8</td><td>57</td><td>2-1/4</td><td>3,5</td><td>9/64</td></tr> </tbody> </table>											mm	inch	mm	inch	mm	inch	098A-2L	22	7/8	5,5	7/32	1	3/64	098A-2H	22	7/8	5,5	7/32	2	5/64	098A-3L	28	1-1/8	7	9/32	1	3/64	098A-3H	28	1-1/8	7	9/32	2	5/64	098A-4H	25	1	6	1/4	2	5/64	098-0	32	1-1/4	8	5/16	1,5	1/16	098A-0	35	1-3/8	10	3/8	2	5/64	098-1	38	1-1/2	12	1/2	2	5/64	098-2	42	1-11/16	14	9/16	2	5/64	098-3	46	1-13/16	16	5/8	2	5/64	098-4	56	2-3/16	21	13/16	2,5	3/32	098-5	65	2-9/16	25	1	2	5/64	098-6	66	2-5/8	26	1-1/32	3,5	9/64	098-7	78	3-1/16	29	1-3/16	2	5/64	098-8	78	3-1/16	32	1-1/4	1,4	1/16	098-10	86	3-3/8	35	1-3/8	1,5	1/16	098-11	92	3-5/8	38	1-1/2	1,2	3/64	098-12	96	3-3/4	40	1-9/16	2,5	3/32	098-13	96	3-3/4	40	1-9/16	3,5	9/64	098-14	100	3-15/16	42	1-11/16	1,5	1/16	098-15	130	5-1/8	57	2-1/4	2,5	3/32	098-16	130	5-1/8	57	2-1/4	3,5	9/64
	mm	inch	mm	inch	mm	inch																																																																																																																																																																					
098A-2L	22	7/8	5,5	7/32	1	3/64																																																																																																																																																																					
098A-2H	22	7/8	5,5	7/32	2	5/64																																																																																																																																																																					
098A-3L	28	1-1/8	7	9/32	1	3/64																																																																																																																																																																					
098A-3H	28	1-1/8	7	9/32	2	5/64																																																																																																																																																																					
098A-4H	25	1	6	1/4	2	5/64																																																																																																																																																																					
098-0	32	1-1/4	8	5/16	1,5	1/16																																																																																																																																																																					
098A-0	35	1-3/8	10	3/8	2	5/64																																																																																																																																																																					
098-1	38	1-1/2	12	1/2	2	5/64																																																																																																																																																																					
098-2	42	1-11/16	14	9/16	2	5/64																																																																																																																																																																					
098-3	46	1-13/16	16	5/8	2	5/64																																																																																																																																																																					
098-4	56	2-3/16	21	13/16	2,5	3/32																																																																																																																																																																					
098-5	65	2-9/16	25	1	2	5/64																																																																																																																																																																					
098-6	66	2-5/8	26	1-1/32	3,5	9/64																																																																																																																																																																					
098-7	78	3-1/16	29	1-3/16	2	5/64																																																																																																																																																																					
098-8	78	3-1/16	32	1-1/4	1,4	1/16																																																																																																																																																																					
098-10	86	3-3/8	35	1-3/8	1,5	1/16																																																																																																																																																																					
098-11	92	3-5/8	38	1-1/2	1,2	3/64																																																																																																																																																																					
098-12	96	3-3/4	40	1-9/16	2,5	3/32																																																																																																																																																																					
098-13	96	3-3/4	40	1-9/16	3,5	9/64																																																																																																																																																																					
098-14	100	3-15/16	42	1-11/16	1,5	1/16																																																																																																																																																																					
098-15	130	5-1/8	57	2-1/4	2,5	3/32																																																																																																																																																																					
098-16	130	5-1/8	57	2-1/4	3,5	9/64																																																																																																																																																																					
		<p>A RICHIESTA: GUIDE FUORI MISURA ON REQUEST: ALL THE OTHER SIZES</p>																																																																																																																																																																									

<p>GO 408</p>	<p>SPLIT-TUBE FOLDER WITH ELASTIC</p>	<p>GUIDA PER COLLARETTI CON ELASTICO</p>	<p>GUIDE COLLERETTE AVEC ELASTIQUE</p>	<p>GUIA PARA COLLARINES CON ELASTICO</p>																																	
 <ul style="list-style-type: none"> • P724856 • P300128 • P300130 • - <p>• = GO 408</p>			 <table border="1"> <tr><td>mm</td><td></td></tr> <tr><td>20</td><td>6</td></tr> <tr><td>24</td><td>8</td></tr> <tr><td>28</td><td>10</td></tr> <tr><td>32</td><td>12</td></tr> <tr><td>36</td><td>14</td></tr> <tr><td>42</td><td>16</td></tr> <tr><td>50</td><td>20</td></tr> </table>	mm		20	6	24	8	28	10	32	12	36	14	42	16	50	20	 <table border="1"> <tr><td>mm</td><td></td></tr> <tr><td>6</td><td></td></tr> <tr><td>8</td><td></td></tr> <tr><td>10</td><td></td></tr> <tr><td>12</td><td></td></tr> <tr><td>14</td><td></td></tr> <tr><td>16</td><td></td></tr> <tr><td>20</td><td></td></tr> </table>	mm		6		8		10		12		14		16		20		
mm																																					
20	6																																				
24	8																																				
28	10																																				
32	12																																				
36	14																																				
42	16																																				
50	20																																				
mm																																					
6																																					
8																																					
10																																					
12																																					
14																																					
16																																					
20																																					
			<p>A RICHIESTA: GUIDE FUORI MISURA ON REQUEST: ALL THE OTHER SIZES</p>																																		

<p>GO 412</p>	<p>SPLIT-TUBE FOLDER WITH ELASTIC</p>	<p>GUIDA PER COLLARETTI CON ELASTICO</p>	<p>GUIDE COLLERETTE AVEC ELASTIQUE</p>	<p>GUIA PARA COLLARINES CON ELASTICO</p>																																	
 <ul style="list-style-type: none"> • P724856 • P300128 • P300130 • - <p>• = GO 412</p>			 <table border="1"> <tr><td>mm</td><td></td></tr> <tr><td>21</td><td>4</td></tr> <tr><td>28</td><td>6</td></tr> <tr><td>32</td><td>8</td></tr> <tr><td>35</td><td>10</td></tr> <tr><td>42</td><td>12</td></tr> <tr><td>45</td><td>14</td></tr> <tr><td>50</td><td>16</td></tr> </table>	mm		21	4	28	6	32	8	35	10	42	12	45	14	50	16	 <table border="1"> <tr><td>mm</td><td></td></tr> <tr><td>4</td><td></td></tr> <tr><td>6</td><td></td></tr> <tr><td>8</td><td></td></tr> <tr><td>10</td><td></td></tr> <tr><td>12</td><td></td></tr> <tr><td>14</td><td></td></tr> <tr><td>16</td><td></td></tr> </table>	mm		4		6		8		10		12		14		16		
mm																																					
21	4																																				
28	6																																				
32	8																																				
35	10																																				
42	12																																				
45	14																																				
50	16																																				
mm																																					
4																																					
6																																					
8																																					
10																																					
12																																					
14																																					
16																																					
			<p>A RICHIESTA: GUIDE FUORI MISURA ON REQUEST: ALL THE OTHER SIZES</p>																																		

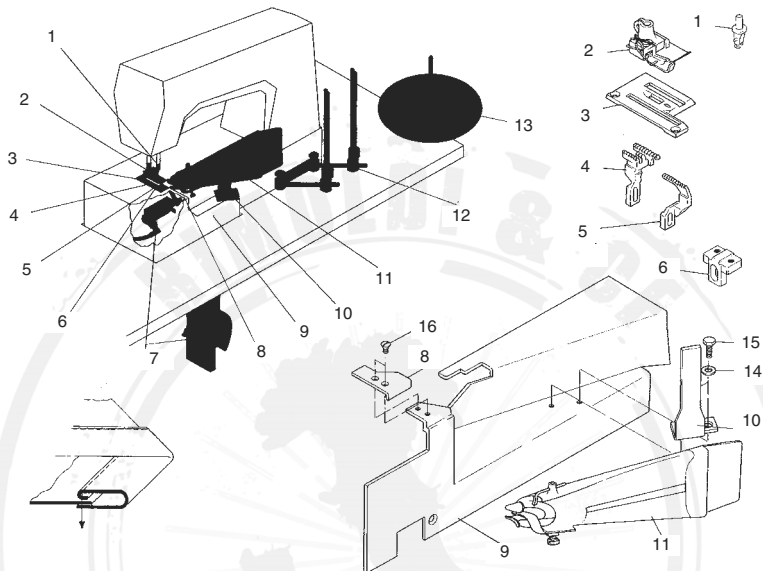
GO 415

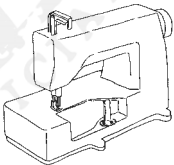
LINKING
SPLIT-TUBE
FOLDER

GUIDA
COLLARETTO
PER FINITO
RIMAGLIO

GUIDE
REMAILLAGE

GUIA PARA
FALSO
REMALLADO



Pos.	Code No. RIMOLDI	Code No. BROTHER			
1	P303184	-			 <p>A RICHIESTA: GUIDE FUORI MISURA ON REQUEST: ALL THE OTHER SIZES</p>
2	BM 514	BM 514			
3	P303190	P303190			
4	P300034	CF 402100			
5	P300037	CF 402101			
6	P300068	-			
7	CF 1001	CF 1001			
8	BM 309232/1	CF 402104			
9	BM 309186/1	CF 402102			
10	P300174	CF 402103			
11	GO 415	GO 415			
12	CF 517	CF 517			
13	CF 230	CF 230			
14	P704216	P704216			
15	P303023	P303023			
16	P744636	P724430			

mm	inch	mm	inch	mm	inch	mm	inch	mm	inch	mm	inch
36	1-7/16	12	15/32	6,5	1/4	100	3-15/16	42	1-21/32	6,5	1/4
40	1-9/16	13	1/2	6,5	1/4	110	4-3/8	47	1-7/8	6,5	1/4
45	1-3/4	15	5/8	6,5	1/4	120	4-3/4	52	2-1/16	6,5	1/4
50	2	18	11/16	6,5	1/4	130	5-1/8	57	2-1/4	6,5	1/4
55	2-3/16	20	3/4	6,5	1/4	140	5-1/2	62	2-7/16	6,5	1/4
60	2-3/8	22	7/8	6,5	1/4	150	5-15/16	67	2-5/8	6,5	1/4
65	2-9/16	25	1	6,5	1/4	160	6-5/16	72	2-7/8	6,5	1/4
70	2-3/4	28	1-1/8	6,5	1/4	170	6-11/16	77	3-1/16	6,5	1/4
75	2-15/16	30	1-3/16	6,5	1/4	180	7-1/8	82	3-1/4	6,5	1/4
80	3-1/8	32	1-1/4	6,5	1/4						
85	3-3/8	35	1-3/8	6,5	1/4						

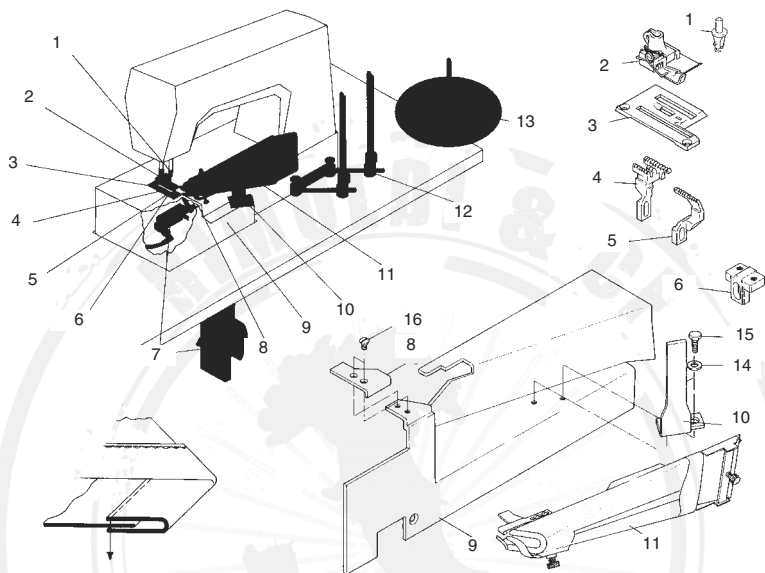
GO 417

LINKING
SPLIT-TUBE
FOLDER

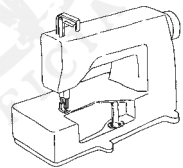
GUIDA
COLLARETTO
PER FINITO
RIMAGLIO

GUIDE
REMAILAGE

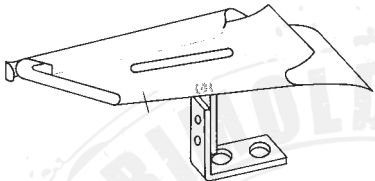

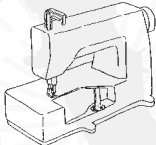
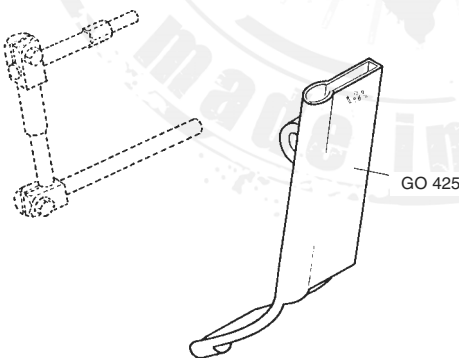
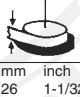
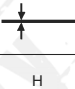
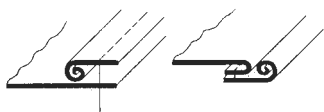
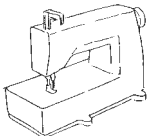
GUIA PARA
FALSO
REMALLADO

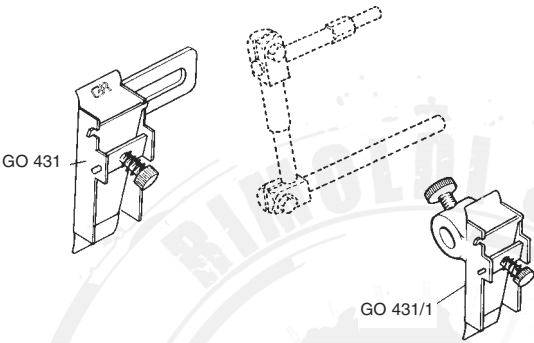

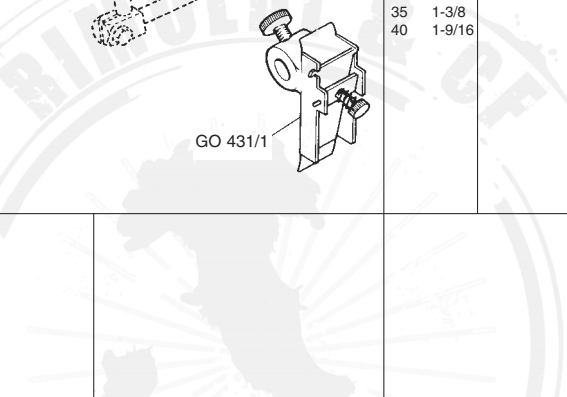


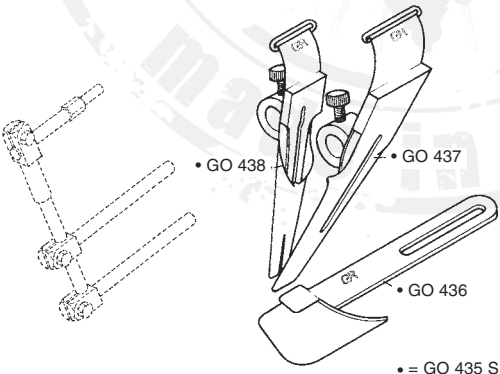



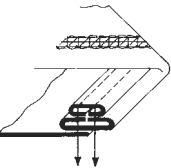
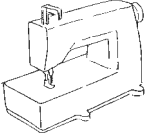
Pos.	Code No. RIMOLDI	Code No. BROTHER			
1	P303184	-			
2	BM 514	BM 514			
3	P303190	P303190			
4	P300034	CF 402100			
5	P300037	CF 402101			
6	P300068	-			
7	CF 1001	CF 1001			
8	BM 309232/1	CF 402104			
9	BM 309186/1	CF 402102			
10	P300174	CF 402103			
11	GO 417	GO 417			
12	CF 517	CF 517			
13	CF 230	CF 230			
14	P704216	P704216			
15	P303023	P303023			
16	P744636	P724430			
			<p>A RICHIESTA: GUIDE FUORI MISURA ON REQUEST: ALL THE OTHER SIZES</p>		

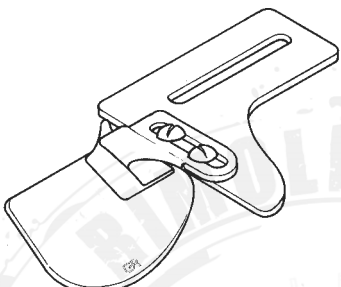
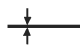
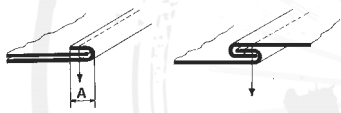
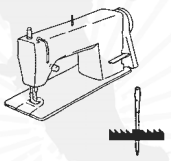


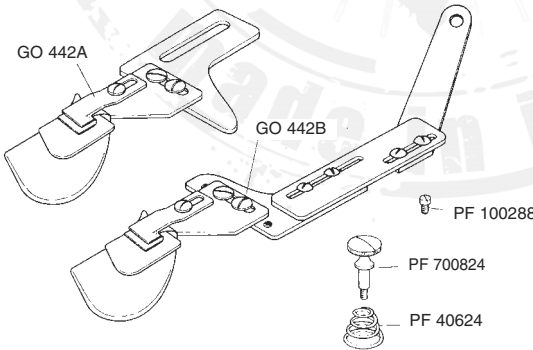


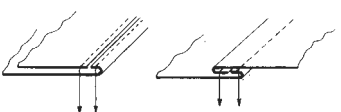
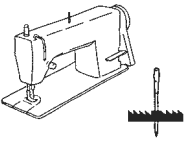
mm	inch	mm	inch	mm	inch	mm	inch	mm	inch	mm	inch
20	3/4	10	3/8	6	1/4	80	3-1/8	40	1-9/16	6	1/4
25	1	12,5	1/2	6	1/4	85	3-3/8	42,5	1-11/16	6	1/4
30	1-3/16	15	5/8	6	1/4	90	3-9/16	45	1-3/4	6	1/4
35	1-3/8	17,5	11/16	6	1/4	95	3-3/4	47,5	1-7/8	6	1/4
40	1-9/16	20	3/4	6	1/4	100	3-15/16	50	2	6	1/4
45	1-3/4	22,5	7/8	6	1/4	105	4-1/8	52,5	2-1/16	6	1/4
50	2	25	1	6	1/4	110	4-3/8	55	2-3/16	6	1/4
55	2-3/16	27,5	1-3/32	6	1/4	120	4-3/4	60	2-3/8	6	1/4
60	2-3/8	30	1-3/16	6	1/4	130	5-1/8	65	2-9/16	6	1/4
65	2-9/16	32,5	1-1/4	6	1/4	140	5-1/2	70	2-3/4	6	1/4
70	2-3/4	35	1-3/8	6	1/4	150	5-5/16	75	2-15/16	6	1/4
75	2-15/16	37,5	1-1/2	6	1/4						

<p>GO 420</p>	<p>FOLDER FOR KNIT STRIPS</p>	<p>GUIDA PER L'APPLICAZIONE DI STRISCE IN MAGLIA CIMOSATE</p>	<p>GUIDE POUR POSE BANDES AVEC LISIERE</p>	<p>GUIA PARA LA APLICACION DE TIRAS ACABADAS EN GENERO DE PUNTO</p>
				
		<p>CONSTRUITO SU RICHIESTA MANUFACTURED ON REQUEST FABRIQUE SUR COMMANDE SE CONSTRUYE SOBRE DEMANDA</p>		
<p>GO 425</p>	<p>ATTACHMENT FOR KNIT STRIPS WITH ROLLED EDGE</p>	<p>GUIDA PER STRISCIA IN MAGLIA CON TERMINALE ARROTOLATO</p>	<p>GUIDE POSE BANDE POUR TRICOT AVEC BORDURE ROULCEE</p>	<p>GUIA PARA TIRA DE GENERO DE PUNTO CON TERMINAL REDONDEADO</p>
				
		<p>A RICHIESTA: GUIDE FUORI MISURA ON REQUEST: ALL THE OTHER SIZES</p>		

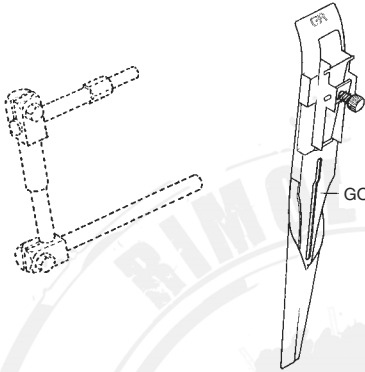
<p>GO 431 GO 431/1</p>	<p>ADJUSTABLE ELASTIC FITTING</p>	<p>FRENAGGIO PER ELASTICO</p>	<p>GUIDE POSE ELASTIQUE REGLABLE</p>	<p>FRENATE PARA ELASTICO REGULABLE</p>																						
 <p>GO 431</p> <p>GO 431/1</p>			 <table border="1"> <thead> <tr> <th>mm</th> <th>inch</th> </tr> </thead> <tbody> <tr><td>8</td><td>5/16</td></tr> <tr><td>10</td><td>3/8</td></tr> <tr><td>12</td><td>1/2</td></tr> <tr><td>15</td><td>5/8</td></tr> <tr><td>20</td><td>3/4</td></tr> <tr><td>25</td><td>1</td></tr> <tr><td>30</td><td>1-3/16</td></tr> <tr><td>35</td><td>1-3/8</td></tr> <tr><td>40</td><td>1-9/16</td></tr> </tbody> </table>	mm	inch	8	5/16	10	3/8	12	1/2	15	5/8	20	3/4	25	1	30	1-3/16	35	1-3/8	40	1-9/16			
mm	inch																									
8	5/16																									
10	3/8																									
12	1/2																									
15	5/8																									
20	3/4																									
25	1																									
30	1-3/16																									
35	1-3/8																									
40	1-9/16																									
																										

<p>GO 435 SET</p>	<p>FOLDER TO LAY ORNAMENTAL STRIPS</p>	<p>GUIDE PER BANDE ORNAMENTALI</p>	<p>GUIDES POSE BANDES ORNAMENTALES</p>	<p>GUIAS PARA TIRAS ORNAMENTALES</p>																								
 <p>• GO 438</p> <p>• GO 437</p> <p>• GO 436</p> <p>• = GO 435 SET</p>			 <table border="1"> <thead> <tr> <th>mm</th> <th>inch</th> </tr> </thead> <tbody> <tr><td>GO 437</td><td></td></tr> <tr><td>30</td><td>1-3/16</td></tr> <tr><td>GO 438</td><td></td></tr> <tr><td>20</td><td>3/4</td></tr> </tbody> </table>	mm	inch	GO 437		30	1-3/16	GO 438		20	3/4	 <table border="1"> <thead> <tr> <th>mm</th> <th>inch</th> </tr> </thead> <tbody> <tr><td>15</td><td>19/32</td></tr> <tr><td>10</td><td>3/8</td></tr> </tbody> </table>	mm	inch	15	19/32	10	3/8	 <table border="1"> <thead> <tr> <th></th> <th></th> </tr> </thead> <tbody> <tr><td>M</td><td></td></tr> <tr><td>M</td><td></td></tr> </tbody> </table>			M		M		
mm	inch																											
GO 437																												
30	1-3/16																											
GO 438																												
20	3/4																											
mm	inch																											
15	19/32																											
10	3/8																											
M																												
M																												
		<p>A RICHIESTA: GUIDE FUORI MISURA ON REQUEST: ALL THE OTHER SIZES</p>																										

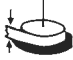



<p>GO 441</p>	<p>GUIDE FOR SHIRT SLEEVE ATTACHING</p>	<p>GUIDA PER ATTACCATURA MANICA CAMICIA</p>	<p>GUIDE POUR APPLICATION MANICHES DE CHEMISE</p>	<p>GUIA PARA APPLICACION MANGA CAMISETA</p>																						
			<p>“A”</p> <table border="1"> <tr> <td>mm</td> <td>inch</td> <td></td> </tr> <tr> <td>7</td> <td>9/32</td> <td>L</td> </tr> <tr> <td>7</td> <td>9/32</td> <td>M</td> </tr> <tr> <td>10</td> <td>3/8</td> <td>L</td> </tr> <tr> <td>10</td> <td>3/8</td> <td>M</td> </tr> <tr> <td>13</td> <td>1/2</td> <td>L</td> </tr> <tr> <td>13</td> <td>1/2</td> <td>M</td> </tr> </table>	mm	inch		7	9/32	L	7	9/32	M	10	3/8	L	10	3/8	M	13	1/2	L	13	1/2	M		
mm	inch																									
7	9/32	L																								
7	9/32	M																								
10	3/8	L																								
10	3/8	M																								
13	1/2	L																								
13	1/2	M																								
		<p>A RICHIESTA: GUIDE FUORI MISURA ON REQUEST: ALL THE OTHER SIZES</p>																								

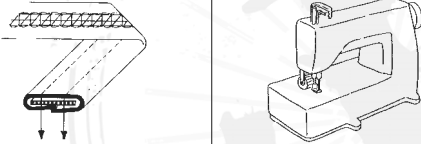
<p>GO 442</p>	<p>GUIDE FOR SHIRT SLEEVE ATTACHING FOR 2 NEEDLE MACHINES</p>	<p>GUIDA PER ATTACCATURA MANICA CAMICIA PER MACCHINE 2 AGHI</p>	<p>GUIDE POUR APPLICATION MANICHES DE CHEMISE POUR MACHINES 2 AIGUILLES</p>	<p>GUIA PARA APPLICACION MANGA CAMISETA PARA MAQUINAS DE 2 AGUJAS</p>													
			 <table border="1"> <tr> <td>mm</td> <td>inch</td> <td></td> </tr> <tr> <td>8</td> <td>5/16</td> <td>L</td> </tr> <tr> <td>10</td> <td>3/8</td> <td>L</td> </tr> <tr> <td>12</td> <td>1/2</td> <td>L</td> </tr> </table>	mm	inch		8	5/16	L	10	3/8	L	12	1/2	L		
mm	inch																
8	5/16	L															
10	3/8	L															
12	1/2	L															
		<p>A RICHIESTA: GUIDE FUORI MISURA ON REQUEST: ALL THE OTHER SIZES</p>															

GO 445	FOLDER WITH ELASTIC FOR SHOULDER-STRAPS	PIEGATORE CON ELASTICO PER FORMAZIONE SPALLINE	GUIDE POUR BRETELLES ELASTIQUES	GUIA PARA TIRANTE ELASTICO
---------------	---	--	---------------------------------	----------------------------



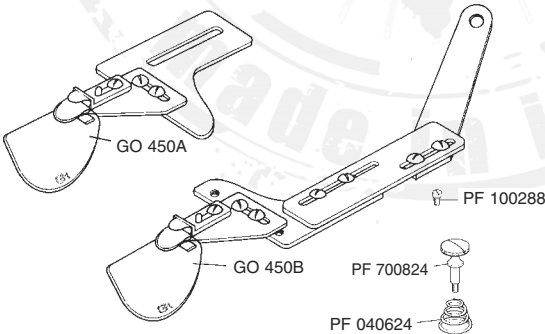
GO 445

			
mm inch	mm inch	mm inch	
20 3/4	9 5/16	8 5/16	M
30 1-3/16	13 1/2	12 1/2	M
40 1-9/16	17 11/16	16 5/8	M



**A RICHIESTA:
GUIDE FUORI MISURA
ON REQUEST:
ALL THE OTHER SIZES**

GO 450	ADJUSTABLE TOP STITCH JOINING ATTACHMENT	GUIDA REGOLABILE PER ASSEMBLAGGIO	RABATTEUR REGLABLE POUR ASSEMBLAGE	GUIA REGULABLE PARA EL ENSAMBLAJE
---------------	--	-----------------------------------	------------------------------------	-----------------------------------





GO 450A

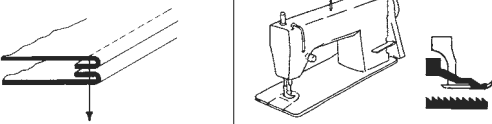
GO 450B

PF 100288

PF 700824

PF 040624

		
mm inch		
8 5/16		L
8 5/16		M
8 5/16		H



**A RICHIESTA:
GUIDE FUORI MISURA
ON REQUEST:
ALL THE OTHER SIZES**

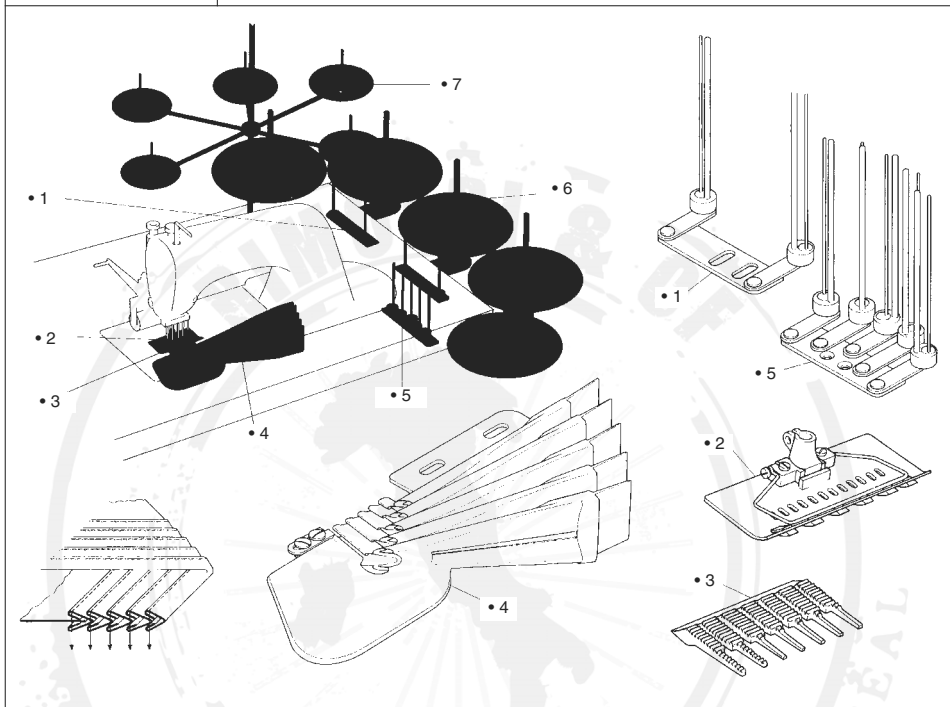
GO 460 SET

FIVE SPLIT
TUBE FOLDER
FOR 9-12
NEEDLES
MACHINES

GUIDA PER
L'APPLICAZIONE
DI 5 COLLARETTI
PER MACCHINE
9 E 12 AGHI

GUIDE CINQ
COLLERETTES
POUR MACHINES
9-12 AIGUILLES

GUIA PARA
5 COLLARINES
PARA MAQUINAS
9 Y 12 AGUJAS



Pos.	RIMOLDI	RIMOLDI	RIMOLDI	UNION SPECIAL	UNION SPECIAL	UNION SPECIAL
•	GO 460/1 B SET	GO 460/2 B SET	GO 460/3 B SET	GO 460/1 A SET	GO 460/2 A SET	GO 460/3 A SET
1	CF 519	CF 519	CF 519	CF 519	CF 519	CF 519
2	P313372	P313382	P313372	US 54420 A 12/1	US 54420 A 9/1	US 54420 A 12/1
3	BM 313408/1	BM 313381/1	BM 313408/1	US 54205 A 12/1	US 54205 A 9/1	US 54205 A 12/1
4	GO 460/1	GO 460/2	GO 460/3	GO 460/1	GO 460/2	GO 460/3
5	CF 520	CF 520	CF 520	CF 520	CF 520	CF 520
6	CF 229	CF 229	CF 229	CF 229	CF 229	CF 229
7	CF 227	CF 227	CF 227	CF 227	CF 227	CF 227

mm	inch	mm	inch	mm	inch	mm	inch	mm	inch
4,8	3/16	35	1-3/8	28	1-1/8	2	5/64	2	5/64
6,4	1/4	42	1-5/8	32	1-1/4	2	5/64	2	5/64
9,6	3/8	50	2	38	1-1/2	2	5/64	2	5/64

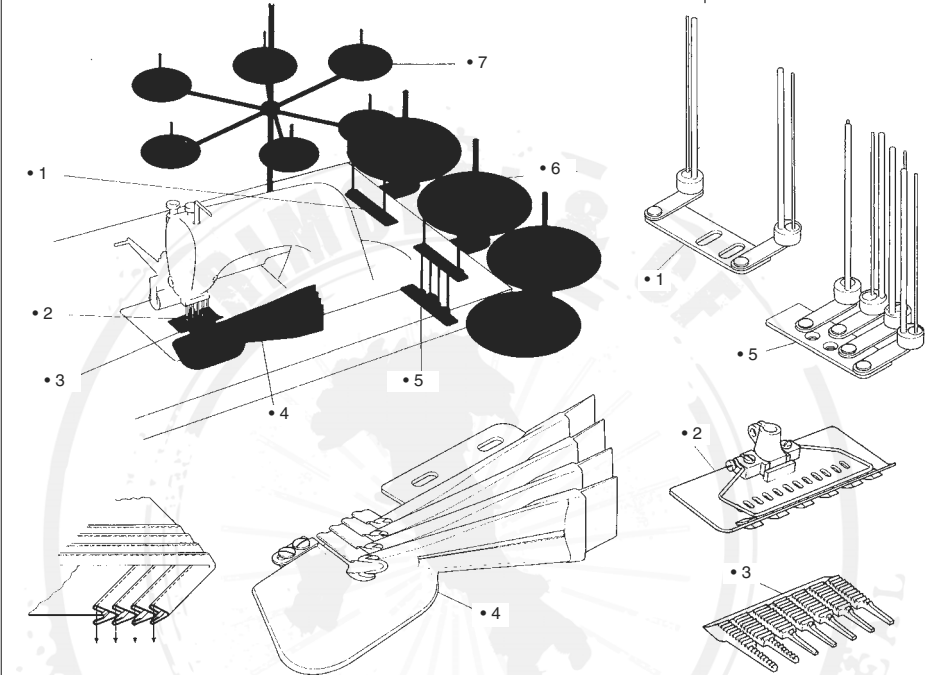
GO 461 SET

4 SPLIT
TUBE FOLDER
FOR 9-12
NEEDLES
MACHINES

GUIDA PER
L'APPLICAZIONE
DI 4 COLLARETTI
PER MACCHINE
9 E 12 AGHI

GUIDE 4
COLLERETTES
POUR MACHINES
9-12 AIGUILLES

GUIA PARA
4 COLLARINES
PARA MAQUINAS
9 Y 12 AGUJAS



Pos.	RIMOLDI	RIMOLDI	RIMOLDI	UNION SPECIAL	UNION SPECIAL	UNION SPECIAL
•	GO 461/1 B SET	GO 461/2 B SET	GO 461/3 B SET	GO 461/1 A SET	GO 461/2 A SET	GO 461/3 A SET
1	CF 519	CF 519	CF 519	CF 519	CF 519	CF 519
2	P313372	P313382	P313372	US 54420 A 12/1	US 54420 A 9/1	US 54420 A 12/1
3	BM 313408/1	BM 313381/1	BM 313408/1	US 54205 A 12/1	US 54205 A 9/1	US 54205 A 12/1
4	GO 461/1	GO 461/2	GO 461/3	GO 461/1	GO 461/2	GO 461/3
5	CF 520/1	CF 520/1	CF 520/1	CF 520/1	CF 520/1	CF 520/1
6	CF 229	CF 229	CF 229	CF 229	CF 229	CF 229
7	CF 227	CF 227	CF 227	CF 227	CF 227	CF 227
mm	inch	mm	inch	mm	inch	
4,8	3/16	35	1-3/8	28	1-1/8	
6,4	1/4	42	1-5/8	32	1-1/4	
9,6	3/8	50	2	38	1-1/2	

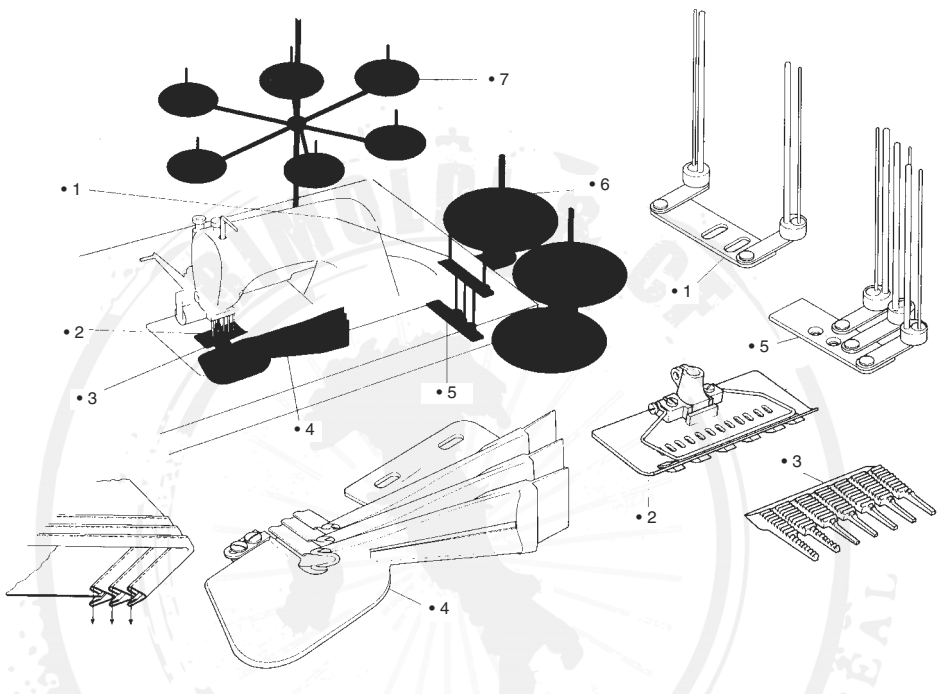
GO 462 SET

3 SPLIT
TUBE FOLDER
FOR 9-12
NEEDLES
MACHINES

GUIDA PER
L'APPLICAZIONE
DI 3 COLLARETTI
PER MACCHINE
9 E 12 AGHI

GUIDE 3
COLLERETTES
POUR MACHINES
9-12 AIGUILLES

GUIA PARA
3 COLLARINES
PARA MAQUINAS
9 Y 12 AGUJAS



Pos.	RIMOLDI	RIMOLDI	RIMOLDI	UNION SPECIAL	UNION SPECIAL	UNION SPECIAL
•	GO 462/1 B SET	GO 462/2 B SET	GO 462/3 B SET	GO 462/1 A SET	GO 462/2 A SET	GO 462/3 A SET
1	CF 519	CF 519	CF 519	CF 519	CF 519	CF 519
2	P313372	P313382	P313372	US 54420 A 12/1	US 54420 A 9/1	US 54420 A 12/1
3	BM 313408/1	BM 313381/1	BM 313408/1	US 54205 A 12/1	US 54205 A 9/1	US 54205 A 12/1
4	GO 462/1	GO 462/2	GO 462/3	GO 462/1	GO 462/2	GO 462/3
5	CF 520/2	CF 520/2	CF 520/2	CF 520/2	CF 520/2	CF 520/2
6	CF 229	CF 229	CF 229	CF 229	CF 229	CF 229
7	CF 227	CF 227	CF 227	CF 227	CF 227	CF 227

mm	inch	mm	inch	mm	inch	mm	inch
4,8	3/16	35	1-3/8	28	1-1/8	2	5/64
6,4	1/4	42	1-5/8	32	1-1/4	2	5/64
9,6	3/8	50	2	38	1-1/2	2	5/64

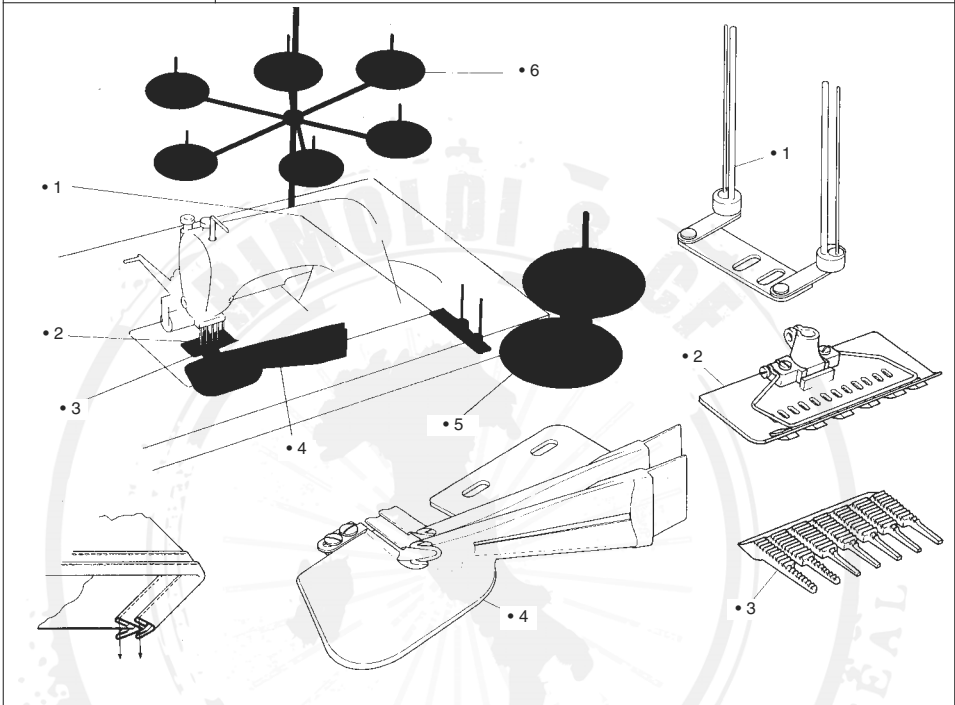
GO 463 SET







2 SPLIT
TUBE FOLDER
FOR 9-12
NEEDLES
MACHINES




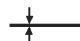
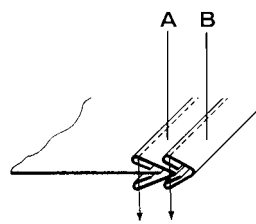
GUIDA PER
L'APPLICAZIONE
DI 3 COLLARETTI
PER MACCHINE
9 E 12 AGHI

GUIDE 2
COLLERETTES
POUR MACHINES
9-12 AIGUILLES

GUIA PARA
2 COLLARINES
PARA MAQUINAS
9 Y 12 AGUJAS



Pos.	RIMOLDI	RIMOLDI	RIMOLDI	UNION SPECIAL	UNION SPECIAL	UNION SPECIAL
						
•	GO 463/1 B SET	GO 463/2 B SET	GO 463/3 B SET	GO 463/1 A SET	GO 463/2 A SET	GO 463/3 A SET
1	CF 519	CF 519	CF 519	CF 519	CF 519	CF 519
2	P313372	P313382	P313372	US 54420 A 12/1	US 54420 A 9/1	US 54420 A 12/1
3	BM 313408/1	BM 313381/1	BM 313408/1	US 54205 A 12/1	US 54205 A 9/1	US 54205 A 12/1
4	GO 463/1	GO 463/2	GO 463/3	GO 463/1	GO 463/2	GO 463/3
5	CF 229	CF 229	CF 229	CF 229	CF 229	CF 229
6	CF 227	CF 227	CF 227	CF 227	CF 227	CF 227

									
mm	inch	mm	inch	mm	inch	mm	inch	A	B
4,8	3/16	35	1-3/8	28	1-1/8	2	5/64		
6,4	1/4	42	1-5/8	32	1-1/4	2	5/64		
9,6	3/8	50	2	38	1-1/2	2	5/64		

GO 470/1= GO 470+CF 467	SINGLE-PIPED POCKET FOLDER	GUIDA PER FILETTI TASCHE A UN PROFILO	GUIDE POUR POCHE SIMPLE PASSEPOIL	GUIA PARA BOLSILLOS DE UN SOLO VIVO
GO 470/2= GO 470+CF 468				
GO 470/3= GO 470+CF 469				

		"A"	
mm inch	mm inch	mm inch	M
10 13/32	58 2-1/4	10 5/16	M
12 15/32	62 2-7/16	12 5/16	M
14 9/16		14 9/16	M
16 5/8		16 5/8	M

**A RICHIESTA:
GUIDE FUORI MISURA
ON REQUEST:
ALL THE OTHER SIZES**

GO 471/1= GO 471+CF 467	DOUBLE-PIPED POCKET FOLDER	GUIDA PER FILETTI TASCHE A DUE PROFILI	GUIDE POUR POCHES DOUBLE PASSEPOIL	GUIA PARA BOLSILLOS DE DOS VIVOS
GO 471/2= GO 471+CF 468				
GO 471/3= GO 471+CF 469				

		"A"	
mm inch	mm inch	mm inch	M
10 13/32	72 2-7/8	5 3/16	M
12 15/32	76 3	6 1/4	M
14 9/16		7 9/32	M
16 5/8		8 5/16	M

**A RICHIESTA:
GUIDE FUORI MISURA
ON REQUEST:
ALL THE OTHER SIZES**

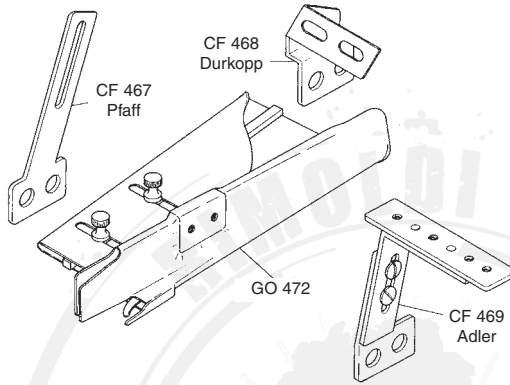
GO 472/1= GO 472+CF 467
 GO 472/2= GO 472+CF 468
 GO 472/3= GO 472+CF 469

ADJUSTABLE
 SINGLE-PIPED
 POCKET WITH
 ADJUSTABLE
 FLAP

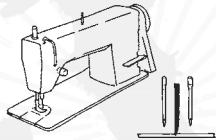
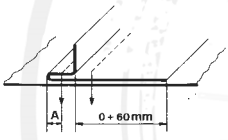
GUIDA PER
 FILETTI TASCHE
 A UN PROFILO
 CON PATELETTA
 REGOLABILE

GUIDE POUR
 POUCHES
 SIMPLE
 PASSEPOIL AVEC
 RABAT REGLABLE

GUIA PARA
 BOLSILLOS DE
 UN SOLO VIVO
 CON CARTERA
 REGULABLE



mm		inch		“A”		
10	13/32	adjustable	from 58 to 118mm	10	5/16	M
12	15/32	adjustable	from 58 to 118mm	12	5/16	M
14	9/16	adjustable	from 58 to 118mm	14	9/16	M
16	5/8	adjustable	from 58 to 118mm	16	5/8	M



**A RICHIESTA:
 GUIDE FUORI MISURA
 ON REQUEST:
 ALL THE OTHER SIZES**

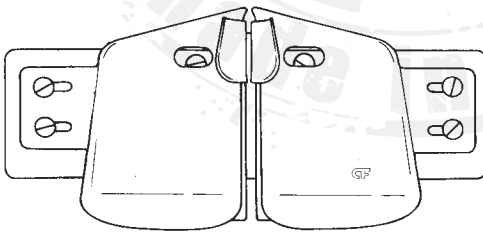
GO 475

ATTACHMENT
 FOR CONTINUOUS
 APPLICATION OF
 ZIPPERS

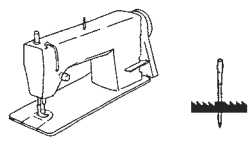
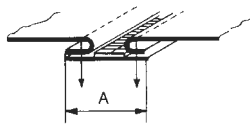
GUIDA PER
 APPLICAZIONE
 CERNIERE
 IN CONTINUO

GUIDE POUR
 L'APPLICATION EN
 CONTINU DES
 FERMETURES ÉCLAIRES

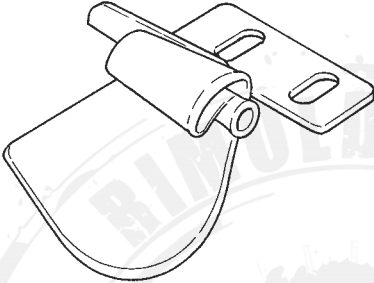


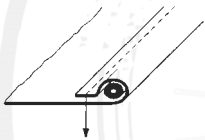
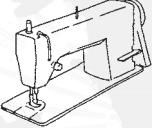

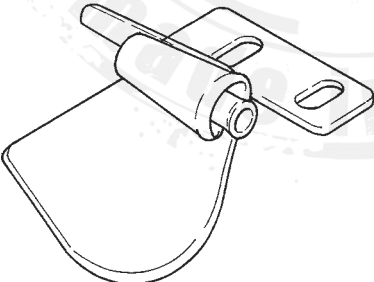


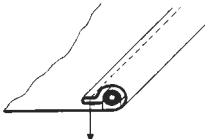
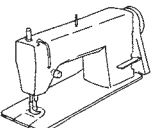

GUIA PARA
 LA APLICACIÓN
 CONTINUA DE
 LA CREMALLERA



Adjustable		Adjustable		“A”		
from 20	to 35 mm	from 3/4	to 1-3/8 inch			M



**COSTRUITO SU RICHIESTA
 MANUFACTURED ON REQUEST
 FABRIQUE SUR COMMANDE
 SE CONSTRUYE SOBRE DEMANDA**

<p>GO 480</p>	<p>HEMMER WITH PLASTIC CORD FOR AWNINGS</p>	<p>ORLATORE CON TUBOLARE IN PLASTICA PER TENDE DA SOLE</p>	<p>GUIDE OURLEUR AVEC CORDON EN PLASTIQUE POUR STORES</p>	<p>ORILLADOR CON CORDÓN EN PLASTICA PARA TOLDOS</p>	
					
  			<p>A RICHIESTA: GUIDE FUORI MISURA ON REQUEST: ALL THE OTHER SIZES</p>		
<p>GO 482</p>	<p>HEMMER WITH PLASTIC CORD FOR AWNINGS</p>	<p>ORLATORE CON TUBOLARE IN PLASTICA PER TENDE DA SOLE</p>	<p>GUIDE OURLEUR AVEC CORDON EN PLASTIQUE POUR STORES</p>	<p>ORILLADOR CON CORDÓN EN PLASTICA PARA TOLDOS</p>	
					
  			<p>A RICHIESTA: GUIDE FUORI MISURA ON REQUEST: ALL THE OTHER SIZES</p>		

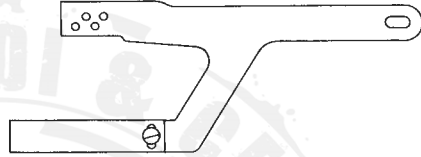
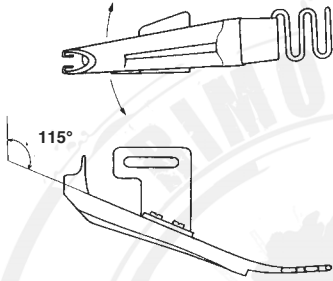
DIFFERENCES IN
SUGGESTER BINDERS
FOR WALKING
FOOT MACHINES

DIFFERENZA FRA
I BORDATORI PROPOSTI
PER MACCHINE A
TRIPLICE TRASPORTO

DIFFERENCES ENTRE
LES BORDEURS
PROPOSES POUR MACHINES
A TRIPLE ENTRAINEMENT

DIFERENTES
GUIADORES PARA
MAQUINAS DE TRIPLE
TRANSPORTE

GO 915 - GO 916 - GO 917



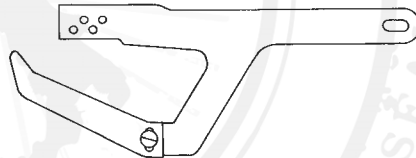
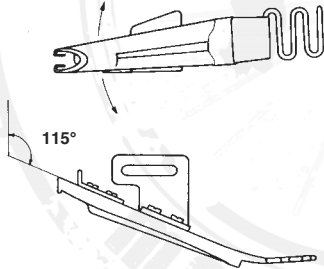
For synthetic
stiff and
thick
ribbons

Per nastri
sintetici,
rigidi e
pesanti

Pour rubans
synthetiques,
rigides et
epais

Para tiras
sinteticas
rigidas y
pesadas

GO 910 - GO 911 - GO 912



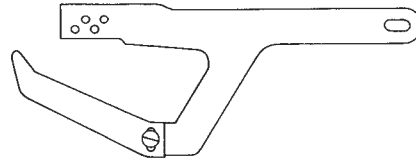
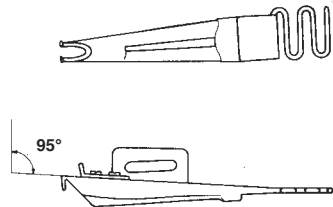
For leather
or similar
ribbons

Per nastri
in pelle
o finta pelle

Pour rubans
en cuir ou
similaires

Para tiras
en piel
o skay

GO 920 - GO 922



For soft
leather and
other cloth
ribbons

Per nastri
in pelle
morbidi o
fettucce
varie

Pour rubans
ou cuir
doux

Para tiras
en piel
blanda o tiras
varias

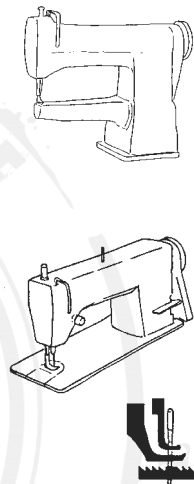
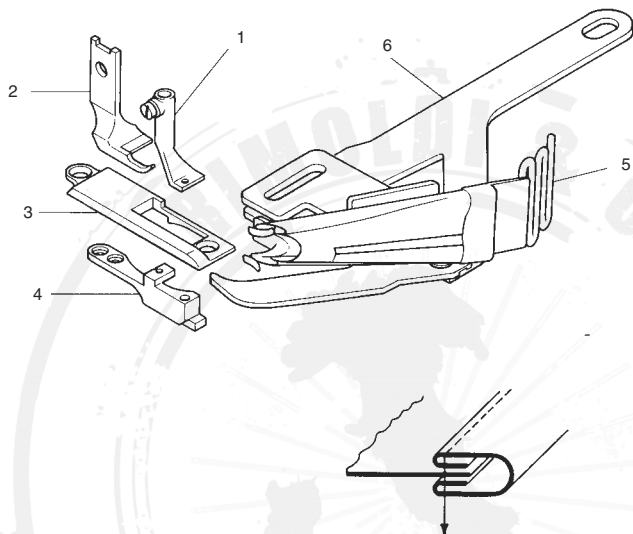
GO 910

RIGHT ANGLE
BINDER
FOR WALKING
FOOT MACHINES

BORDATORE
PER MACCHINE
A TRIPLICE
TRASPORTO

BORDEUR DOUBLE
REPLI POUR
MACHINES A
TRIPLE ENTRAINEMENT

GUIADOR DOBLE
PARA MAQUINAS
DE TRIPLE
TRANSPORTE



Pos.	Code No. PFAFF 335	Code No. PFAFF 145-245-1245	Code No. ADLER 67-167-267	Code No. ADLER 467	Code No. NECCHI 840	Code No. NECCHI 958	Code No. NECCHI 902
1	PF 42819	PF 42819	ADL 067220803	ADL 067220803	PF 42819	PF 42819	PF 42819
2	PF 44227	PF 44227	ADL 067220810	ADL 367220503	PF 44227	PF 44227	PF 44227
3	PF 46052	PF 45592	ADL 067200390	ADL 367200220		N 380032	N 380028
4	PF 46051	PF 45591	ADL 067210300	ADL 367210160		N 380033	N 380029
5	GO 910	GO 910	GO 910	GO 910	GO 910	GO 910	GO 910
6	PF 40895	GO 913	GO 914A	GO 914B	N 109196	GO 913A	GO 913A

mm	inch	mm	inch	mm	inch	mm	inch	mm	inch	mm	inch
20	3/4	5	3/16	4	5/32	35	1-3/8	11	7/16	5	3/16
22	7/8	6	1/4	4	5/32	35	1-3/8	10,5	13/32	7	9/32
22	7/8	6	1/4	5	3/16	40	1-9/16	12,5	1/2	5	3/16
25	1	7	9/32	4	5/32	40	1-9/16	12	15/32	8	5/16
25	1	6,5	1/4	5	3/16	45	1-3/4	14	9/16	5	3/16
25	1	6,5	1/4	6	15/64	45	1-3/4	14	9/16	8	5/16
28	1-1/8	8	5/16	4	5/32	50	2	16	5/8	5	3/16
28	1-1/8	8	5/16	5	3/16	50	2	16	5/8	8	5/16
28	1-1/8	8	5/16	6	1/4						
30	1-3/16	9	23/64	4	5/32						
30	1-3/16	8,5	11/32	5	3/16						
30	1-3/16	8,5	11/32	8	3/16						
32	1-1/4	9	11/32	4	5/32						
32	1-1/4	9	11/32	5	3/16						
32	1-1/4	9	11/32	6	1/4						

**A RICHIESTA:
GUIDE FUORI MISURA
ON REQUEST:
ALL THE OTHER SIZES**

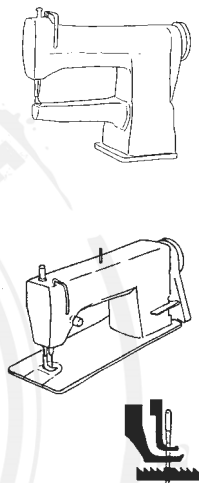
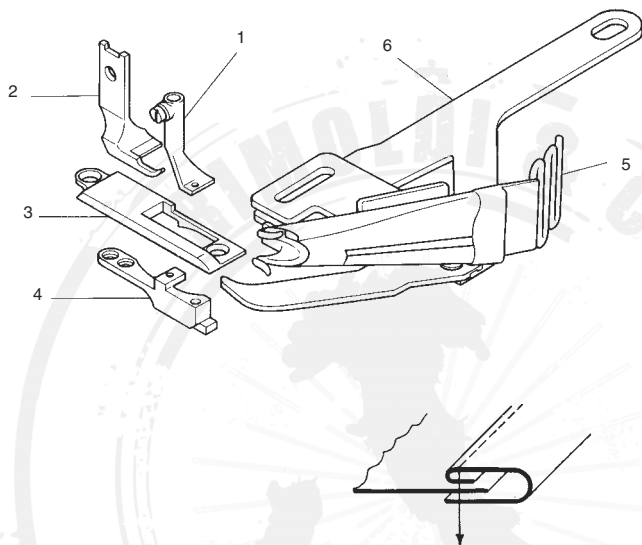
GO 911

RIGHT ANGLE
BINDER
FOR WALKING
FOOT MACHINES


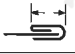


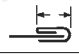

BORDATORE
PER MACCHINE
A TRIPLICE
TRASPORTO

BORDEUR DOUBLE
REPLI POUR
MACHINES A
TRIPLE ENTRAINEMENT

GUIADOR DOBLE
PARA MAQUINAS
DE TRIPLE
TRANSPORTE



Pos.	Code No. PFAFF 335	Code No. PFAFF 145-245-1245	Code No. ADLER 67-167-267	Code No. ADLER 467	Code No. NECCHI 840	Code No. NECCHI 958	Code No. NECCHI 902
1	PF 42819	PF 42819	ADL 067220803	ADL 067220803	PF 42819	PF 42819	PF 42819
2	PF 44227	PF 44227	ADL 067220810	ADL 367220503	PF 44227	PF 44227	PF 44227
3	PF 46052	PF 45592	ADL 067200390	ADL 367200220		N 380032	N 380028
4	PF 46051	PF 45591	ADL 067210300	ADL 367210160		N 380033	N 380029
5	GO 911	GO 911	GO 911	GO 911	GO 911	GO 911	GO 911
6	PF 40895	GO 913	GO 914A	GO 914B	N 109196	GO 913A	GO 913A

											
mm	inch	mm	inch	mm	inch	mm	inch	mm	inch	mm	inch
18	11/16	6	1/4	4	5/32	28	1-1/8	10	3/8	6	1/4
18	11/16	6	1/4	5	3/16	30	1-3/16	11	7/16	4	5/32
20	3/4	7	9/32	4	5/32	30	1-3/16	11	7/16	6	15/64
20	3/4	7	9/32	5	3/16	30	1-3/16	11	7/16	8	5/16
20	3/4	7	9/32	6	15/64						
22	7/8	8	5/16	4	5/32						
22	7/8	8	5/16	5	3/16						
22	7/8	8	5/16	6	15/64						
25	1	9	23/64	4	5/32						
25	1	9	23/64	5	3/16						
25	1	9	23/64	6	15/64						
28	1-1/8	10	3/8	4	5/32						
28	1-1/8	10	3/8	5	3/16						

**A RICHIESTA:
GUIDE FUORI MISURA
ON REQUEST:
ALL THE OTHER SIZES**

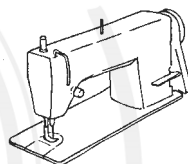
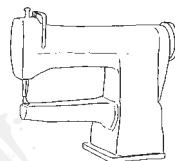
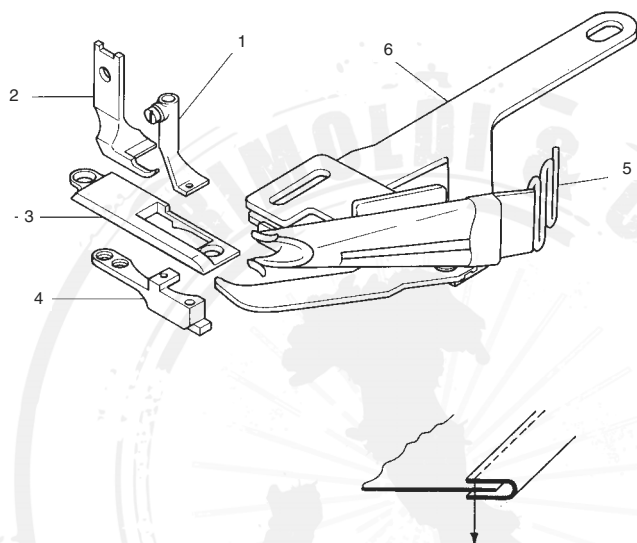
GO 912

RIGHT ANGLE
BINDER
FOR WALKING
FOOT MACHINES

BORDATORE
PER MACCHINE
A TRIPLICE
TRASPORTO

BORDEUR DOUBLE
REPLI POUR
MACHINES A
TRIPLE ENTRAÎNEMENT

GUIADOR DOBLE
PARA MAQUINAS
DE TRIPLE
TRANSPORTE



Pos.	Code No. PFAFF 335	Code No. PFAFF 145-245-1245	Code No. ADLER 67-167-267	Code No. ADLER 467	Code No. NECCHI 840	Code No. NECCHI 958	Code No. NECCHI 902
1	PF 42819	PF 42819	ADL 067220803	ADL 067220803	PF 42819	PF 42819	PF 42819
2	PF 44227	PF 44227	ADL 067220810	ADL 367220503	PF 44227	PF 44227	PF 44227
3	PF 46052	PF 45592	ADL 067200390	ADL 367200220		N 380032	N 380028
4	PF 46051	PF 45591	ADL 067210300	ADL 367210160		N 380033	N 380029
5	GO 912	GO 912	GO 912	GO 912	GO 912	GO 912	GO 912
6	PF 40895	GO 913	GO 914A	GO 914B	N 109196	GO 913A	GO 913A



mm		inch		mm		inch		mm		inch		mm		inch	
12	1/2	6	1/4	4	5/32	22	7/8	11	7/6	4	5/32				
12	1/2	6	1/4	5	3/16	22	7/8	11	7/16	5	3/16				
14	9/16	7	9/32	4	5/32	22	7/8	11	7/16	6	1/4				
14	9/16	7	9/32	5	3/16	25	1	12	15/32	4	5/32				
16	5/8	8	5/16	4	5/32	25	1	12	15/32	6	15/64				
16	5/8	8	5/16	5	3/16	25	1	12	15/32	8	5/16				
16	5/8	8	5/16	6	15/64	28	1-1/8	14	9/16	4	5/32				
18	23/32	9	23/64	4	5/32	28	1-1/8	14	9/16	5	3/16				
18	23/32	9	23/64	5	3/16	28	1-1/8	14	9/16	6	1/4				
18	23/32	9	23/64	6	15/64	28	1-1/8	14	9/16	8	5/16				
20	3/4	10	3/8	4	5/32	30	1-3/16	15	19/32	5	3/16				
20	3/4	10	3/8	5	3/16	30	1-3/16	15	19/32	8	5/16				
20	3/4	10	3/8	6	1/4										
20	3/4	10	3/8	7	9/32										

**A RICHIESTA:
GUIDE FUORI MISURA
ON REQUEST:
ALL THE OTHER SIZES**

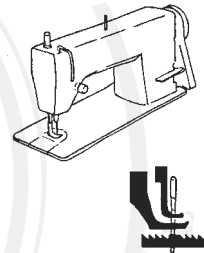
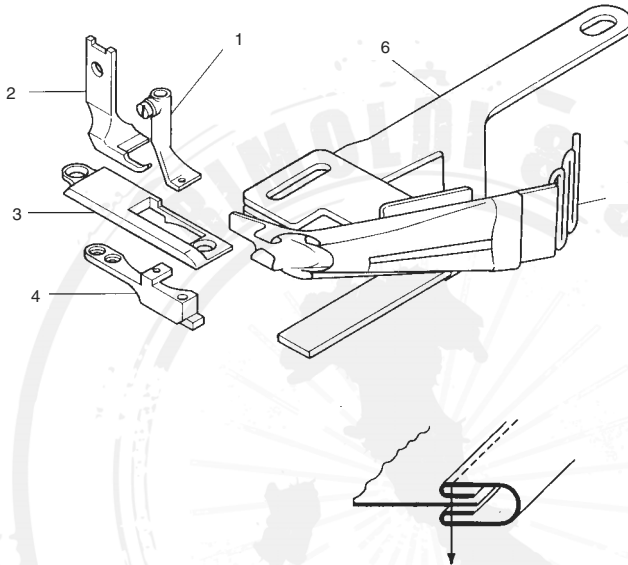
GO 915

RIGHT ANGLE
BINDER
FOR WALKING
FOOT MACHINES


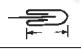

BORDATORE
PER MACCHINE
A TRIPLICE
TRASPORTO

BORDEUR DOUBLE
REPLI POUR
MACHINES A
TRIPLE ENTRAINEMENT

GUIADOR DOBLE
PARA MAQUINAS
DE TRIPLE
TRANSPORTE



Pos.	Code No. PFAFF 145-245-1245	Code No. ADLER 67-167-267	Code No. ADLER 467	Code No. NECCHI 958	Code No. NECCHI 902
1	PF 42819	ADL 067220803	ADL 067220803	PF 42819	PF 42819
2	PF 44227	ADL 067220810	ADL 367220503	PF 44227	PF 44227
3	PF 45592	ADL 067200390	ADL 367200220	N 380032	N 380028
4	PF 45591	ADL 067210300	ADL 367210160	N 380033	N 380029
5	GO 915	GO 915	GO 915	GO 915	GO 915
6	GO 913	GO 914A	GO 914B	GO 913A	GO 913A

					
mm	inch	mm	inch	mm	inch
20	3/4	5	3/16	4	5/32
25	1	7	9/32	4	5/32
25	1	6,5	1/4	5	3/16
25	1	6,5	1/4	6	15/64
30	1-3/16	9	23/64	4	5/32
30	1-3/16	8,5	11/32	5	3/16
30	1-3/16	8,5	11/32	6	15/64
35	1-3/8	11	7/16	5	3/16
35	1-3/8	10,5	13/32	7	9/32
40	1-9/16	12,5	1/2	5	3/16
40	1-9/16	12	15/32	8	5/16

**A RICHIESTA:
GUIDE FUORI MISURA
ON REQUEST:
ALL THE OTHER SIZES**

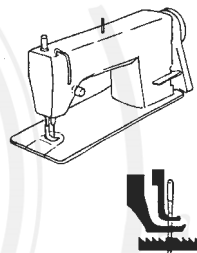
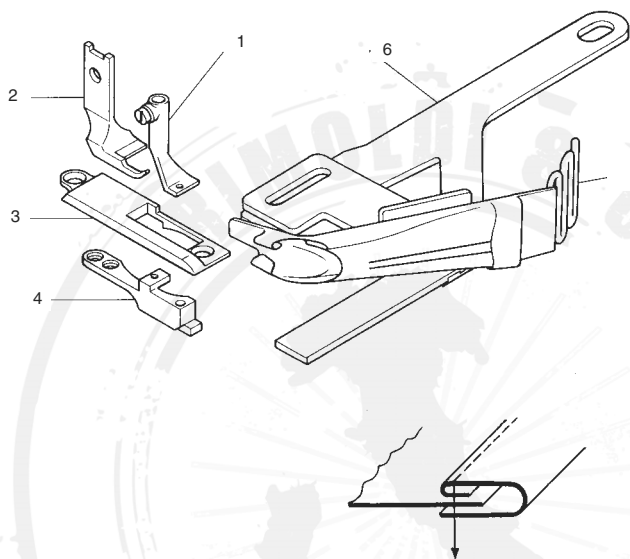
GO 916

RIGHT ANGLE
BINDER
FOR WALKING
FOOT MACHINES

BORDATORE
PER MACCHINE
A TRIPLICE
TRASPORTO

BORDEUR DOUBLE
REPLI POUR
MACHINES A
TRIPLE ENTRAÎNEMENT

GUIADOR DOBLE
PARA MAQUINAS
DE TRIPLE
TRANSPORTE



Pos.	Code No. PFAFF 145-245-1245	Code No. ADLER 67-167-267	Code No. ADLER 467	Code No. NECCHI 958	Code No. NECCHI 902
1	PF 42819	ADL 067220803	ADL 067220803	PF 42819	PF 42819
2	PF 44227	ADL 067220810	ADL 367220503	PF 44227	PF 44227
3	PF 45592	ADL 067200390	ADL 367200220	N 380032	N 380028
4	PF 45591	ADL 067210300	ADL 367210160	N 380033	N 380029
5	GO 916	GO 916	GO 916	GO 916	GO 916
6	GO 913	GO 914A	GO 914B	GO 913A	GO 913A



mm	inch	mm	inch	mm	inch
20	3/4	7	9/32	4	5/32
20	3/4	7	9/32	5	3/16
20	3/4	7	9/32	6	15/64
25	1	9	23/64	4	5/32
25	1	9	23/64	5	3/16
25	1	9	23/64	6	15/64
30	1-3/16	11	7/16	4	5/32
30	1-3/16	11	7/16	6	15/64
30	1-3/16	11	7/16	8	5/16

**A RICHIESTA:
GUIDE FUORI MISURA
ON REQUEST:
ALL THE OTHER SIZES**

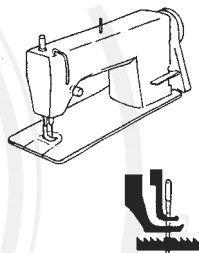
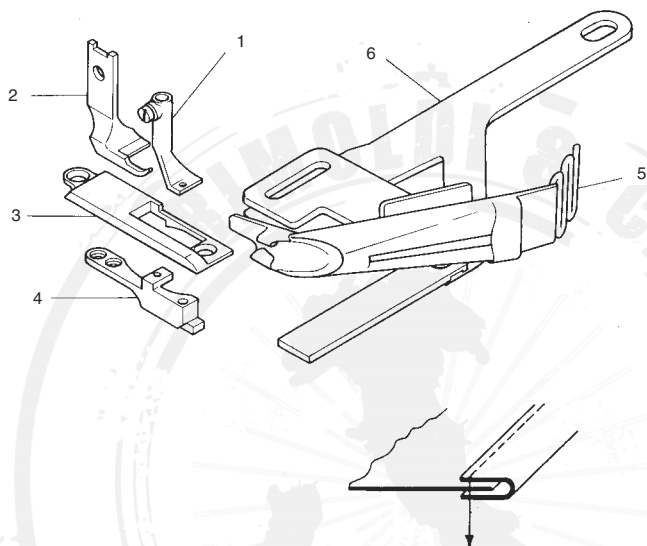
GO 917

RIGHT ANGLE
BINDER
FOR WALKING
FOOT MACHINES

BORDATORE
PER MACCHINE
A TRIPLICE
TRASPORTO

BORDEUR DOUBLE
REPLI POUR
MACHINES A
TRIPLE ENTRAINEMENT

GUIADOR DOBLE
PARA MAQUINAS
DE TRIPLE
TRANSPORTE



Pos.	Code No. PFAFF 145-245-1245	Code No. ADLER 67-167-267	Code No. ADLER 467	Code No. NECCHI 958	Code No. NECCHI 902
1	PF 42819	ADL 067220803	ADL 067220803	PF 42819	PF 42819
2	PF 44227	ADL 067220810	ADL 367220503	PF 44227	PF 44227
3	PF 45592	ADL 067200390	ADL 367200220	N 380032	N 380028
4	PF 45591	ADL 067210300	ADL 367210160	N 380033	N 380029
5	GO 917	GO 917	GO 917	GO 917	GO 917
6	GO 913	GO 914A	GO 914B	GO 913A	GO 913A



mm	inch	mm	inch	mm	inch
14	9/16	7	9/32	4	5/32
14	9/16	7	9/32	5	3/16
16	5/8	8	5/16	4	5/32
16	5/8	8	5/16	5	3/16
16	5/8	8	5/16	6	15/64
18	23/32	9	23/64	4	5/32
18	23/32	9	23/64	5	3/16
18	23/32	9	23/64	6	15/64
20	3/4	10	3/8	4	5/32
20	3/4	10	3/8	5	3/16
20	3/4	10	3/8	7	9/32
25	1	12	15/32	4	5/32
25	1	12	15/32	6	15/64
25	1	12	15/32	8	5/16

**A RICHIESTA:
GUIDE FUORI MISURA
ON REQUEST:
ALL THE OTHER SIZES**

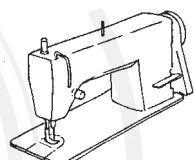
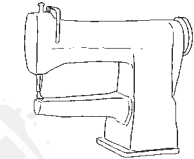
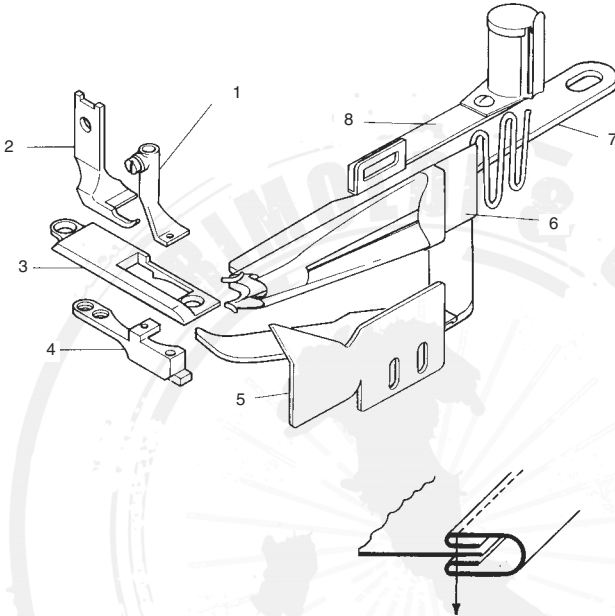
GO 920

RIGHT ANGLE
BINDER
FOR WALKING
FOOT MACHINES

BORDATORE
PER MACCHINE
A TRIPLICE
TRASPORTO

BORDEUR DOUBLE
REMPLI POUR
MACHINES A
TRIPLE ENTRAINEMENT

GUIADOR DOBLE
PARA MAQUINAS
DE TRIPLE
TRANSPORTE



Pos.	Code No. PFAFF 335	Code No. PFAFF 145-245-1245	Code No. ADLER 67-167-267	Code No. ADLER 467	Code No. NECCHI 840	Code No. NECCHI 958	Code No. NECCHI 902
1	PF 42819	PF 42819	ADL 067220803	ADL 067220803	PF 42819	PF 42819	PF 42819
2	PF 44227	PF 44227	ADL 067220810	ADL 367220503	PF 44227	PF 44227	PF 44227
3	PF 46052	PF 45592	ADL 067200390	ADL 367200220		N 380032	N 380028
4	PF 46051	PF 45591	ADL 067210300	ADL 367210160		N 380033	N 380029
5	GO 923				GO 923		GO 920
6	GO 920	GO 920	GO 920	GO 920	GO 920	GO 920	GO 920
7	PF 40895	GO 913	GO 914A	GO 914B	N 109196	GO 913A	GO 913A
8	GO 921	GO 921	GO 921	GO 921	GO 921	GO 921	GO 921

mm	inch	mm	inch	mm	inch	mm	inch	mm	inch	mm	inch
20	3/4	5	3/16	4	5/32	35	1-3/8	11	7/16	7	9/32
20	3/4	5	3/16	6	1/4	40	1-9/16	12	1/2	5	3/16
22	7/8	6	1/4	4	5/32	40	1-9/16	12	1/2	8	5/16
22	7/8	6	1/4	5	3/16	45	1-3/4	14	9/16	5	3/16
25	1	7	9/32	4	5/32	45	1-3/4	14	9/16	8	5/16
25	1	7	9/32	5	3/16						
25	1	7	9/32	6	1/4						
28	1-1/8	8	5/16	4	5/32						
28	1-1/8	8	5/16	6	1/4						
30	1-3/16	9	11/32	4	5/32						
30	1-3/16	9	11/32	6	1/4						
35	1-3/8	11	7/16	5	3/16						

**A RICHIESTA:
GUIDE FUORI MISURA
ON REQUEST:
ALL THE OTHER SIZES**

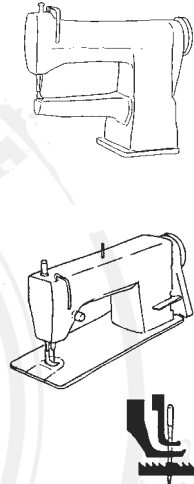
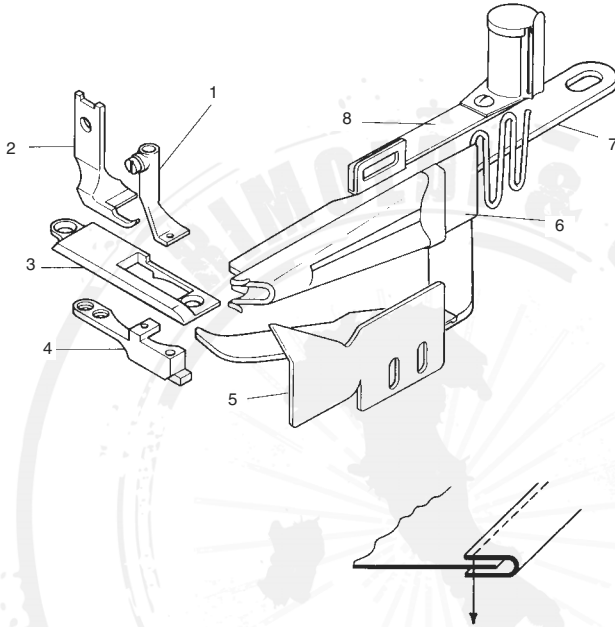
GO 922

RIGHT ANGLE
BINDER
FOR WALKING
FOOT MACHINES


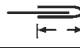


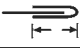

BORDATORE
PER MACCHINE
A TRIPLICE
TRASPORTO

BORDEUR DOUBLE
REMPLE POUR
MACHINES A
TRIPLE ENTRAINEMENT

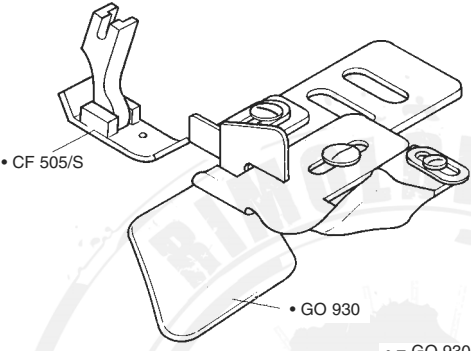

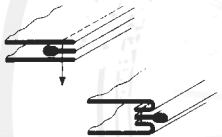
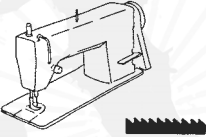
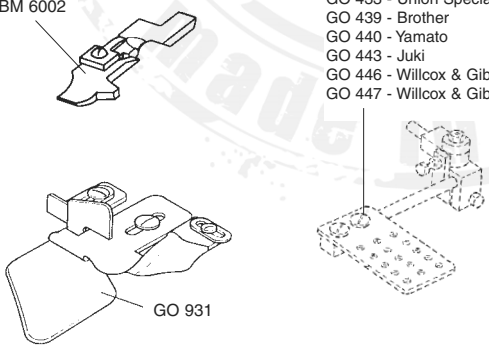

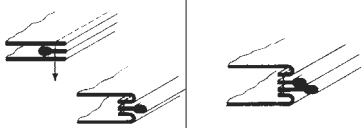
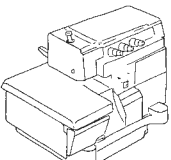
GUIADOR DOBLE
PARA MAQUINAS
DE TRIPLE
TRANSPORTE

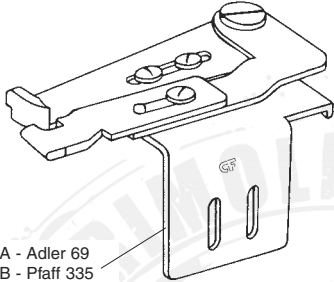





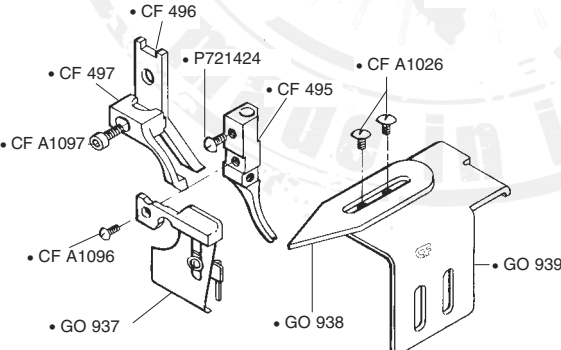

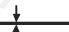
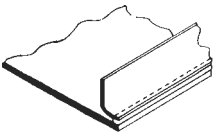
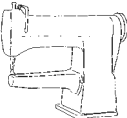
Pos.	Code No. PFAFF 335	Code No. PFAFF 145-245-1245	Code No. ADLER 67-167-267	Code No. ADLER 467	Code No. NECCHI 840	Code No. NECCHI 958	Code No. NECCHI 902
1	PF 42819	PF 42819	ADL 067220803	ADL 067220803	PF 42819	PF 42819	PF 42819
2	PF 44227	PF 44227	ADL 067220810	ADL 367220503	PF 44227	PF 44227	PF 44227
3	PF 46052	PF 45592	ADL 067200390	ADL 367200220		N 380032	N 380028
4	PF 46051	PF 45591	ADL 067210300	ADL 367210160		N 380033	N 380029
5	GO 923				GO 923		
6	GO 922	GO 922	GO 922	GO 922	GO 922	GO 922	GO 922
7	PF 40895	GO 913	GO 914A	GO 914B	N 109196	GO 913A	GO 913A
8	GO 921	GO 921	GO 921	GO 921	GO 921	GO 921	GO 921

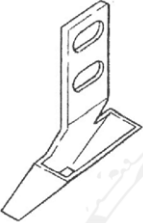


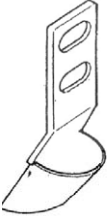


											
mm	inch	mm	inch	mm	inch	mm	inch	mm	inch	mm	inch
12	1/2	6	1/4	3	1/8	28	1-1/8	14	9/16	8	5/16
14	9/16	7	9/32	4	5/32	30	1-3/16	15	19/32	5	3/16
16	5/8	8	5/16	4	5/32	30	1-3/16	15	19/32	6	1/4
18	11/16	9	11/32	4	5/32	30	1-3/16	15	19/32	8	5/16
18	11/16	9	11/32	6	1/4						
20	3/4	10	3/8	4	5/32						
20	3/4	10	3/8	6	1/4						
22	7/8	11	7/16	4	5/32						
22	7/8	11	7/16	6	1/4						
24	15/16	12	15/32	4	5/32						
24	15/16	12	15/32	6	1/4						
26	1-1/32	13	33/64	4	5/32						
26	1-1/32	13	33/64	6	1/4						
28	1-1/8	14	9/16	5	3/16						
28	1-1/8	14	9/16	6	1/4						

**A RICHIESTA:
GUIDE FUORI MISURA
ON REQUEST:
ALL THE OTHER SIZES**

<h2>GO 930 SET</h2>	ADJUSTABLE PLASTIC READY-MADE PIPING ATTACHMENT	GUIDA REGOLABILE PER PROFILI PLASTICI PREFABBRICATI	GUIDE REGLABLE POUR PASSEPOIL PREFABRIQUE EN PLASTIQUE	GUIA REGULABLE PARA VIVO EN PLASTICO			
 <p>• CF 505/S</p> <p>• GO 930</p> <p>• = GO 930 SET</p>							
				<p>A RICHIESTA: GUIDE FUORI MISURA ON REQUEST: ALL THE OTHER SIZES</p>			
<h2>GO 931</h2>	ADJUSTABLE PLASTIC READY-MADE PIPING ATTACHMENT	GUIDA REGOLABILE PER PROFILI PLASTICI PREFABBRICATI	GUIDE REGLABLE POUR PASSEPOIL PREFABRIQUE EN PLASTIQUE	GUIA REGULABLE PARA VIVO EN PLASTICO			
 <p>BM 6001 BM 6002</p> <p>GO 931</p> <p>GO 432 - Rimoldi GO 433 - Union Special GO 439 - Brother GO 440 - Yamato GO 443 - Juki GO 446 - Willcox & Gibbs GO 447 - Willcox & Gibbs</p>				Adjustable from 7 to 14 mm	Adjustable from 9/32 to 9/16 inch		
			<p>A RICHIESTA: GUIDE FUORI MISURA ON REQUEST: ALL THE OTHER SIZES</p> 				

<p>GO 935</p>	<p>ATTACHMENT FOR READY-MADE PIPING TO FIT ON ARM MACHINE</p>	<p>GUIDA PER PROFILO SU MACCHINE A BRACCIO</p>	<p>GUIDE POUR PASSEPOIL SUR MACHINES A BRAS CYLINDRIQUE</p>	<p>GUIA PARA VIVO EN MAQUINAS DE BRAZO</p>		
 <p>GO 935A - Adler 69 GO 935B - Pfaff 335 GO 935C - Necchi 840</p>						
				<p>A RICHIESTA: GUIDE FUORI MISURA ON REQUEST: ALL THE OTHER SIZES</p>		

<p>GO 936 SET</p>	<p>ATTACHMENT AND FOOT TO APPLY TAPE ON SHOES</p>	<p>GUIDE E PIEDINI PER LAVORAZIONE FRANCESINA</p>	<p>GUIDE ET PIED- POUR L'APPLICATION DE BANDE SUR CHAUSSURES</p>	<p>GUIA Y PRENSATELAS PARA APLICAR BANDA EN ZAPATOS</p>		
 <p>• = GO 936 SET</p>						
			<p>PFAFF 335</p> 	<p>Adjustable from 10 to 15 mm</p> <p>Adjustable from 3/8 to 19/32 inch</p> <p>L</p>		

<p>CF 1504</p>	<p>GUIDANASTRI PER MULTITESTA TAJIMA TAPEGUIDE FOR MULTIHEADS TAJIMA MACHINES</p>	
	 	<p>"A" "B" COSTRUITE SU RICHIESTA MANUFACTURED ON REQUEST</p>
<p>CF 1505</p>	<p>GUIDANASTRI PER MULTITESTA TAJIMA TAPEGUIDE FOR MULTIHEADS TAJIMA MACHINES</p>	
	 	<p>"A" "B" COSTRUITE SU RICHIESTA MANUFACTURED ON REQUEST</p>

BORDATORI NORMALI STANDARD BINDERS



PIEGA SEMPLICE



PIEGA SEMPLICE
SFALSATO



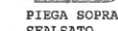
PIEGA SOPRA



PIEGA SOPRA
SFALSATO



DOPPIA PIEGA



BORDATORI INCLINATI INCLINED BINDERS



PIEGA SEMPLICE



PIEGA SEMPLICE
SFALSATO



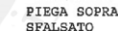
PIEGA SOPRA



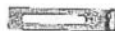
PIEGA SOPRA
SFALSATO



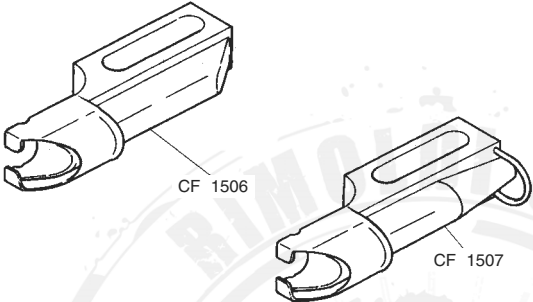
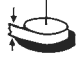
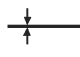

DOPPIA PIEGA

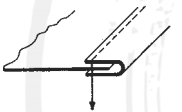
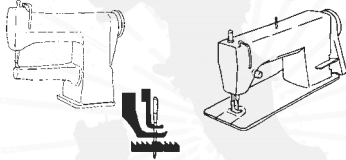


BORDATORI GIGANTI PER MATERASSI GIANT BINDERS FOR MATTRESS

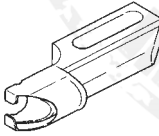
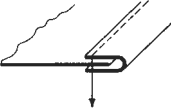

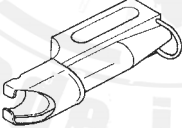
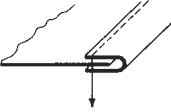

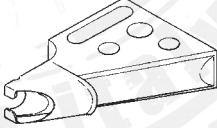
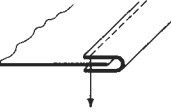

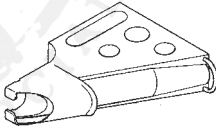
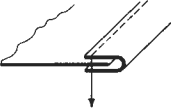



<p>CF 1506 CF 1507</p>	<p>RAW EDGE TAPE BINDER FOR WALKING FOOT MACHINES</p>	<p>BORDATORE PER MACCHINE A TRIPLICE TRASPORTO</p>	<p>BORDEUR SIMPLE REPLI POUR MACHINES A TRIPLE ENTRAINEMENT</p>	<p>GUIADOR SIMPLE PARA MAQUINAS DE TRIPLE TRANSPORT</p>
--	---	--	---	---

																																							
	<table border="1"> <tr><td>mm</td><td></td></tr> <tr><td>12</td><td>1,5</td></tr> <tr><td>14</td><td>1,5</td></tr> <tr><td>16</td><td>1,5</td></tr> <tr><td>18</td><td>1,5</td></tr> <tr><td>20</td><td>1,5</td></tr> <tr><td>22</td><td>1,5</td></tr> <tr><td>25</td><td>1,5</td></tr> <tr><td>30</td><td>1,5</td></tr> </table>	mm		12	1,5	14	1,5	16	1,5	18	1,5	20	1,5	22	1,5	25	1,5	30	1,5	<table border="1"> <tr><td>mm</td><td></td></tr> <tr><td>4-4-5-5-5-5</td><td></td></tr> <tr><td>4-4-5-5-5-5-6-7</td><td></td></tr> <tr><td>4-4-5-5-5-5-6-7-8</td><td></td></tr> <tr><td>4-4-5-5-5-5-6-7-8</td><td></td></tr> <tr><td>4-5-5-5-5-6-7-8</td><td></td></tr> <tr><td>5-5-5-6-7-8</td><td></td></tr> <tr><td>5-5-5-6-7-8</td><td></td></tr> <tr><td>8</td><td></td></tr> </table>	mm		4-4-5-5-5-5		4-4-5-5-5-5-6-7		4-4-5-5-5-5-6-7-8		4-4-5-5-5-5-6-7-8		4-5-5-5-5-6-7-8		5-5-5-6-7-8		5-5-5-6-7-8		8		
mm																																							
12	1,5																																						
14	1,5																																						
16	1,5																																						
18	1,5																																						
20	1,5																																						
22	1,5																																						
25	1,5																																						
30	1,5																																						
mm																																							
4-4-5-5-5-5																																							
4-4-5-5-5-5-6-7																																							
4-4-5-5-5-5-6-7-8																																							
4-4-5-5-5-5-6-7-8																																							
4-5-5-5-5-6-7-8																																							
5-5-5-6-7-8																																							
5-5-5-6-7-8																																							
8																																							

		<p>A RICHIESTA: GUIDE FUORI MISURA ON REQUEST: ALL THE OTHER SIZES</p>
---	---	---

<p>MANUFACTURED ON REQUEST</p>	<p>COSTRUITI SU RICHIESTA</p>	<p>FABRIQUES SUR COMMANDE</p>	<p>SE CONSTRUYE SOBRE DEMANDA</p>
------------------------------------	-----------------------------------	-----------------------------------	---------------------------------------

 <p>CF 1508 ENTRATA - CUT SIZE 8 ÷ 30 mm</p>  <p>CF 1509 ENTRATA - CUT SIZE 14 ÷ 30 mm</p> 	 <p>CF 1510 ENTRATA - CUT SIZE 8 ÷ 30 mm</p>  <p>CF 1511 ENTRATA - CUT SIZE 14 ÷ 30 mm</p> 	 <p>CF 1512 ENTRATA - CUT SIZE 14 ÷ 30 mm</p>  <p>CF 1513 ENTRATA - CUT SIZE 14 ÷ 30 mm</p> 	 <p>CF 1514 ENTRATA - CUT SIZE 14 ÷ 30 mm</p>  <p>CF 1515 ENTRATA - CUT SIZE 14 ÷ 30 mm</p> 
---	---	--	---

GAUGE GUIDES

GUIDE DI BATTUTA

GUIDES

GUIAS DE TOPE

