

**CASUAL  
CASUAL SPORTSWEAR  
HABBILLEMENT DE SPORT ET CASUAL  
SPORTSKLEIDUNG UND CASUAL  
DEPORTE Y CASUAL  
VESTUÁRIO DESPORTIVO**

**Rimoldi®** by



[www.cfrimoldi.com](http://www.cfrimoldi.com)

**DESCRIZIONE  
PAGINA TIPO**

**EXAMPLE  
OF PAGE**

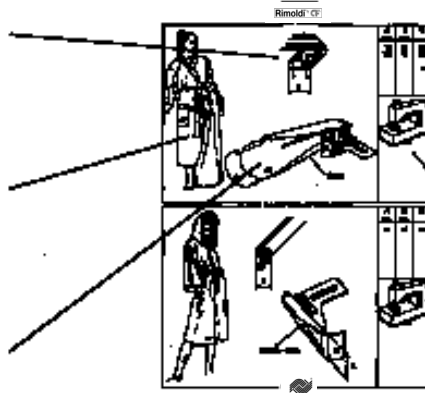
**EXEMPLE  
DE PAGE**

**EJEMPLO  
DE PAGINA**

disegno lavoro  
drawing  
croquis  
sección trabajo

tipo di lavorazione  
kind of work  
type de travail  
tipo de trabajo

tipo di guida  
attachment code  
référence  
tipo de guía



misura guida  
attachement sizes  
mesures du guide  
medidas de guía




macchina consigliata  
suggested machine  
machine sugerée  
máquina aconsejada



**DESCRIZIONE  
SIMBOLI GRAFICI**

**SYMBOL  
DESCRIPTIONS**

**DESCRIPTION  
DES SYMBOLES**

**DESCRIPCION  
DE SIMBOLOS**

	trasporto griffa inferiore bottom feeding entraînement par griffe arrastre cliente inferior
	trasporto punta ago needle feeding entraînement par aiguille aguja acompañante
	trasporto griffa inferiore e superiore upper and bottom feeding entraînement supérieur et inférieur arrastre superior e inferior

	triplice trasporto walking foot machine entraînement unisson triple arrastre
	coltello centrale central knife couteau central cuchilla central

**NOTE**

Le simbologie che definitiscono gli spessori relativi al materiale sono le seguenti:

- L= Leggero
- M= Medio
- MH= Medio pesante
- H= Pesante
- XH= Extra pesante

Le misure che indicano l'usabilità delle guide sono indicative e possono variare a seconda del materiale usato.

**NOTES**

The following symbols are relating to the thickness of the material

- L= Light
- M= Medium
- MH= Medium heavy
- H= Heavy
- XH= Extra heavy

The finished size of the attachment can change depending on the fabric used.

**NOTES**

Les symboles suivants se réfèrent aux épaisseurs des matériaux

- L= Léger
- M= Moyen
- MH= Moyen épais
- H= Epais
- XH= Très épais

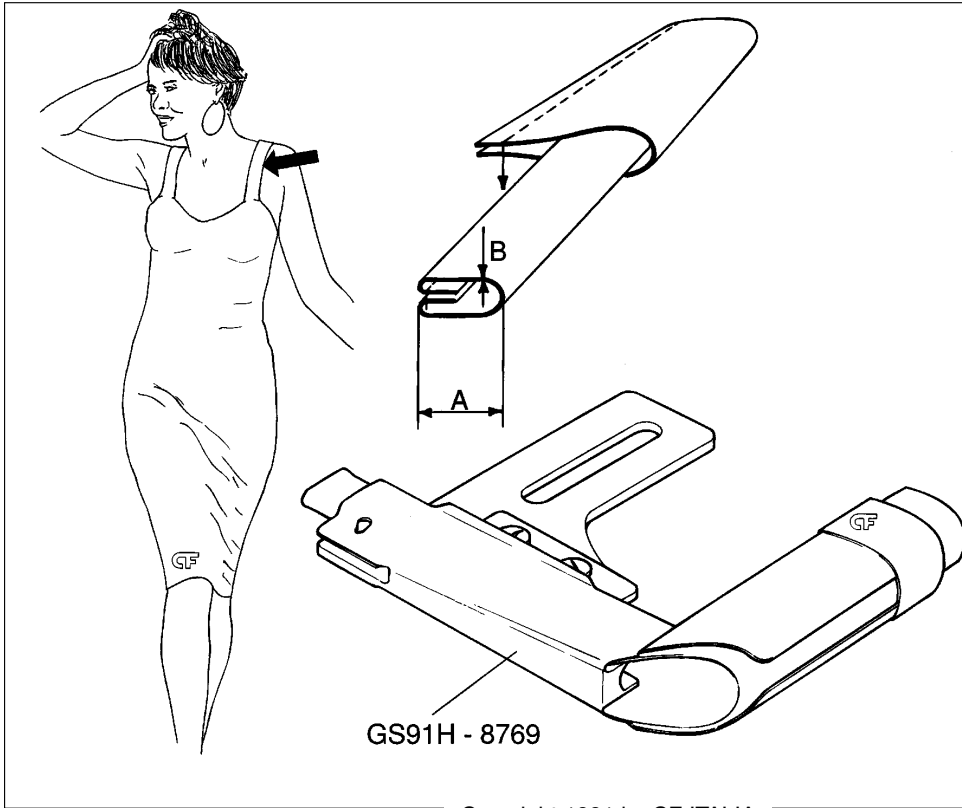
La mesure finale peut changer selon les épaisseurs des tissus.

**NOTAS**

Los símbolos que definen los grosores relativos a los materiales son los siguientes:

- L= Ligero
- M= Medio
- MH= Medio pesado
- H= Pesado
- XH= Extra pesado

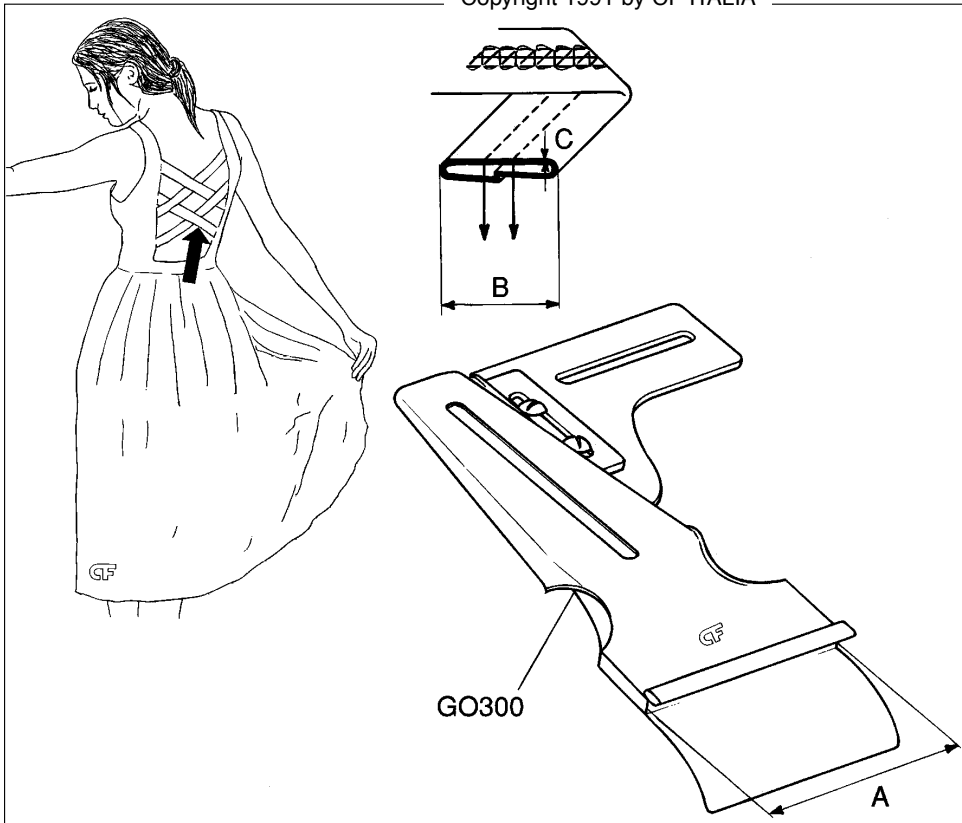
Las medidas que indican la usabilidad de las guías son indicativas y pueden variar según el material usado.



A mm.	B	
20	M	
25	M	
30	M	
35	M	

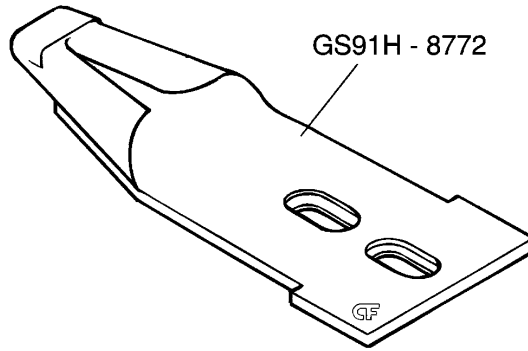
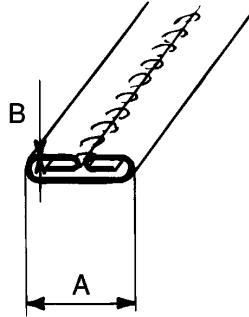
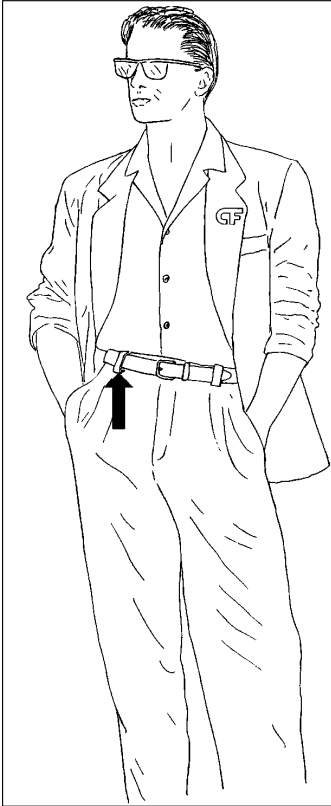
UNITA' COMPLETA  
CF 2905 \*

Copyright 1991 by CF ITALIA

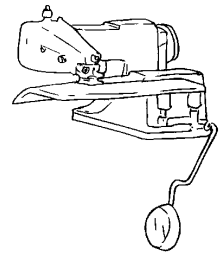


A mm.	B mm.	C
50	25	MH
60	30	MH
70	35	MH
80	40	MH

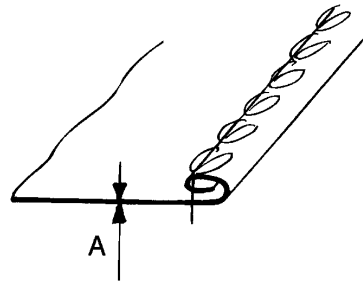
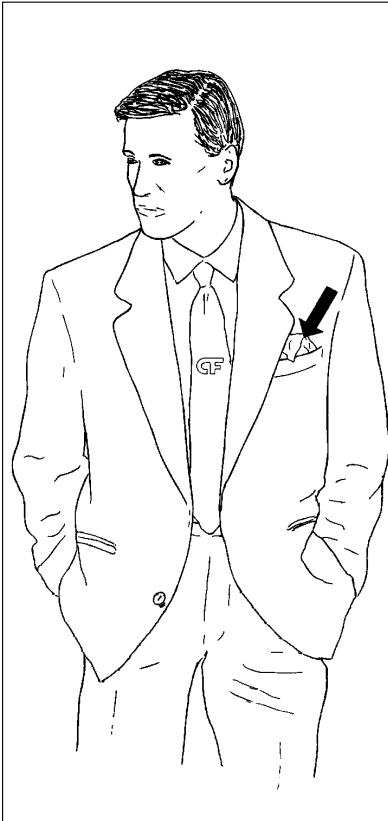
\* Refer to catalogue "UNITA' COMPLETE"



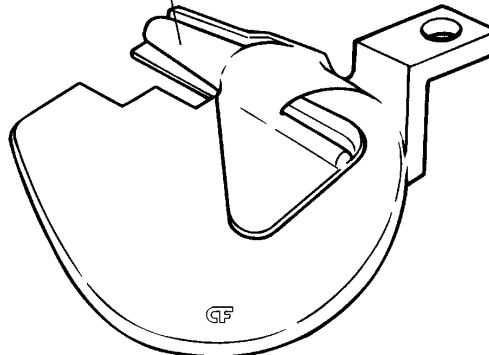
A	B
mm.	
8	L-M-H
9,5	L-M-H
11	L-M-H
12,5	L-M-H



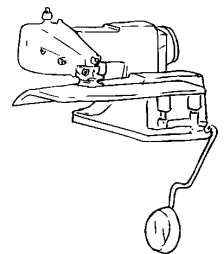
Copyright 1991 by CF ITALIA

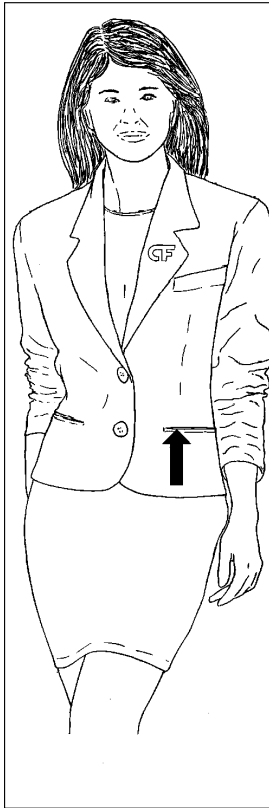


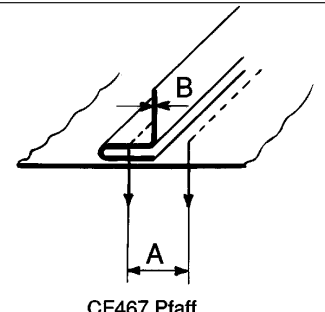
GS90C - 3275



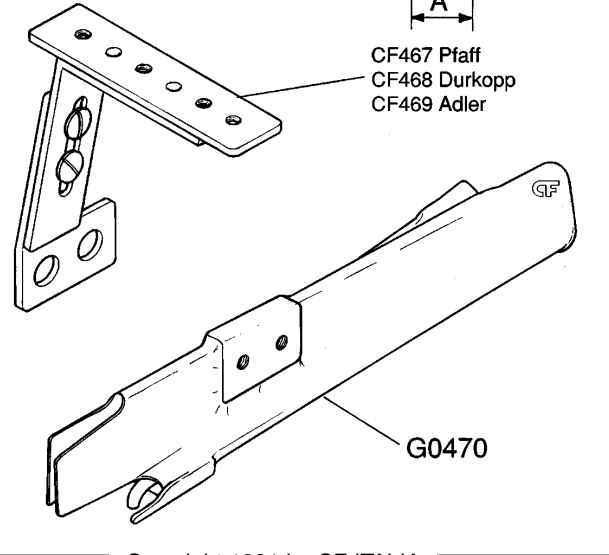
A
L
M
H







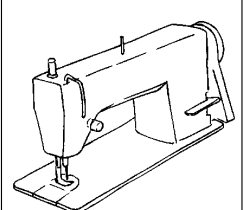
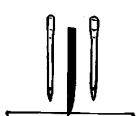
A      B



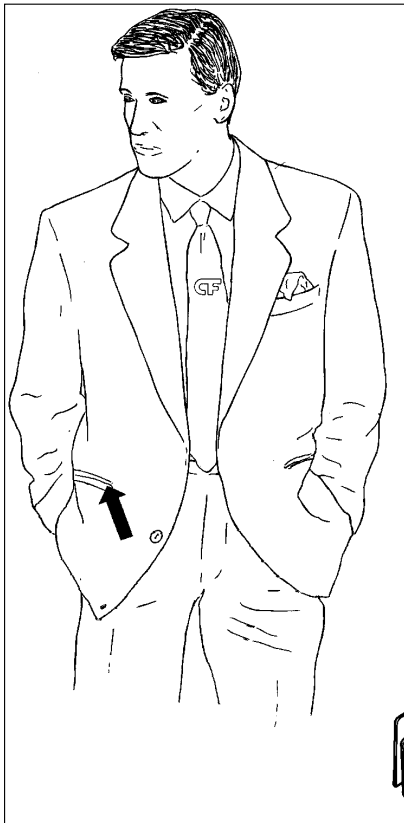
G0470

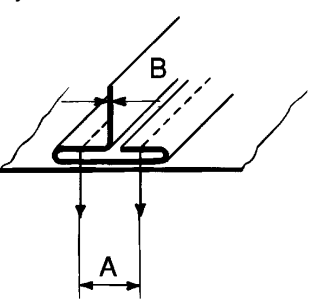
CF467 Pfaff  
CF468 Durkopp  
CF469 Adler

A mm.	B
10	M
12	M
14	M
16	M

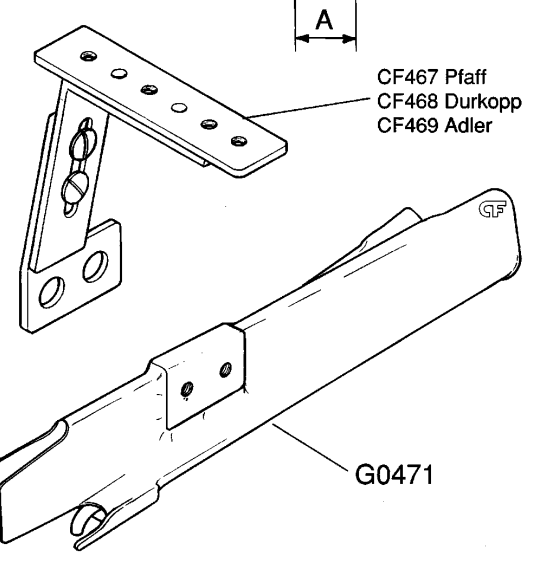



Copyright 1991 by CF ITALIA





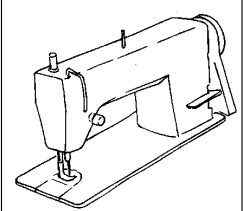

A      B

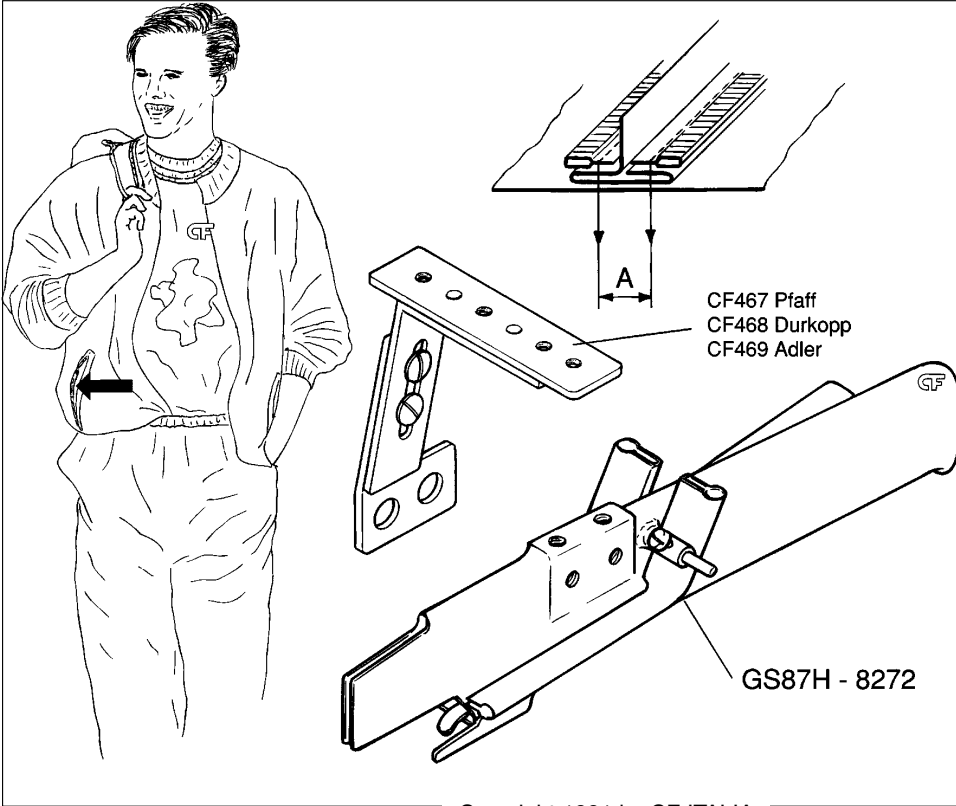


G0471

CF467 Pfaff  
CF468 Durkopp  
CF469 Adler

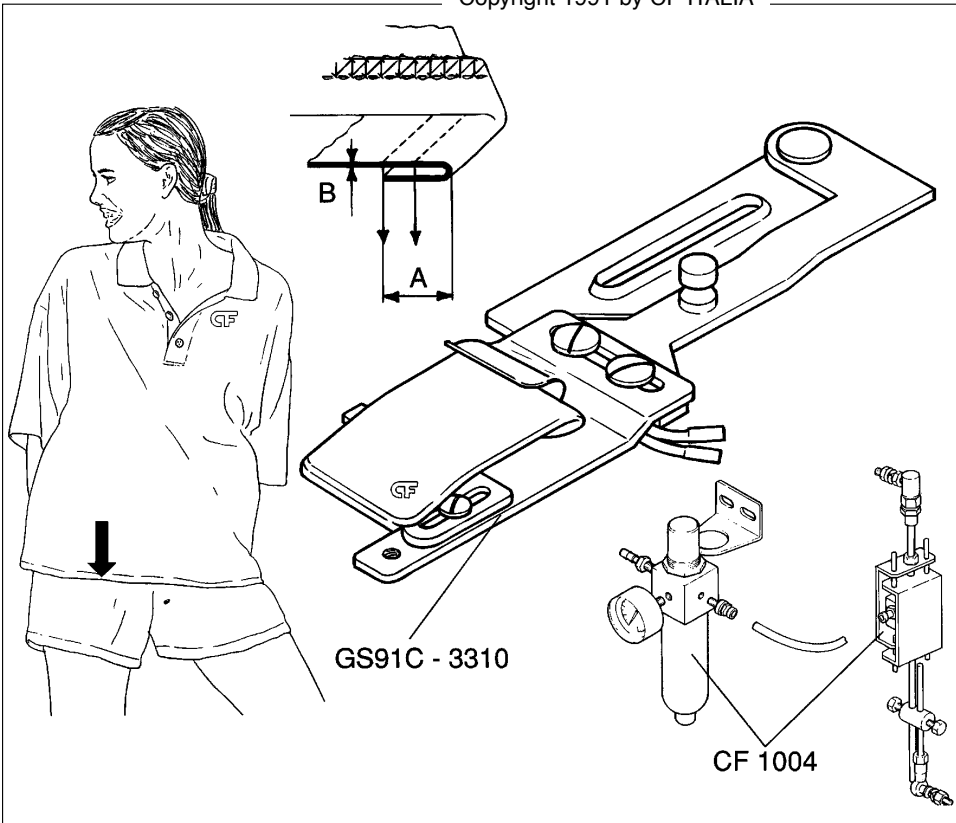
A mm.	B
10	M
12	M
14	M
16	M

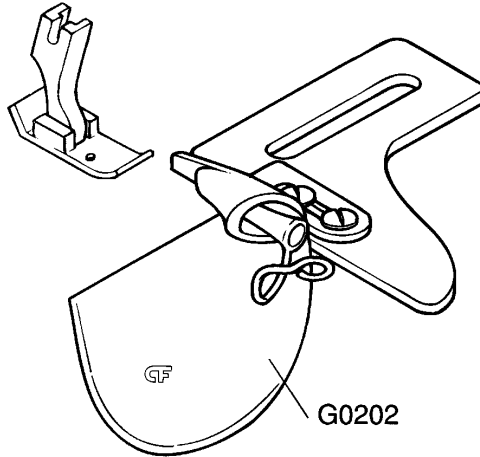
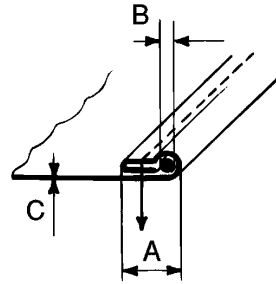
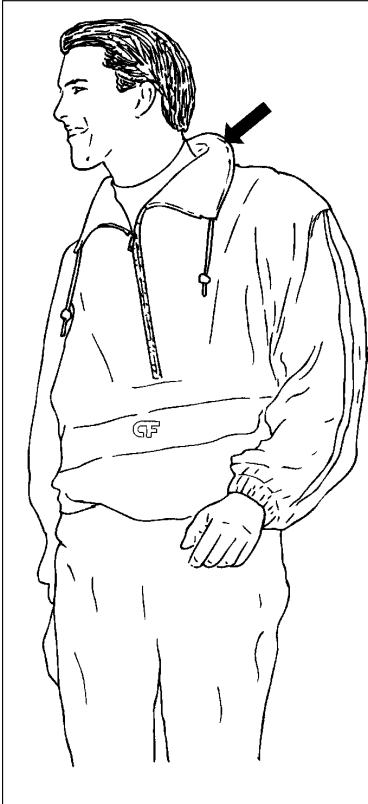


A mm.		
10 12		

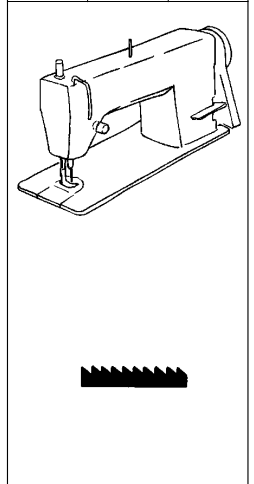
Copyright 1991 by CF ITALIA



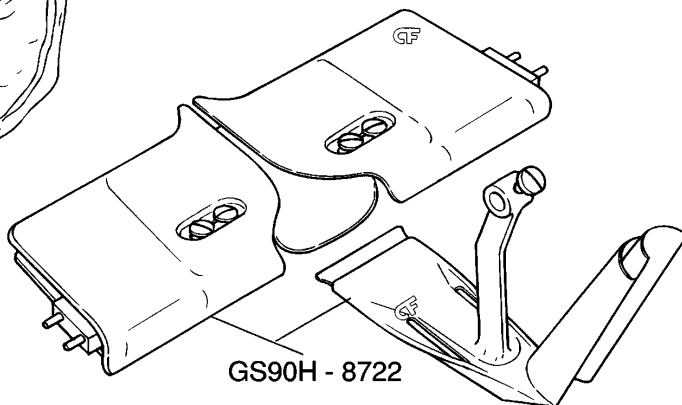
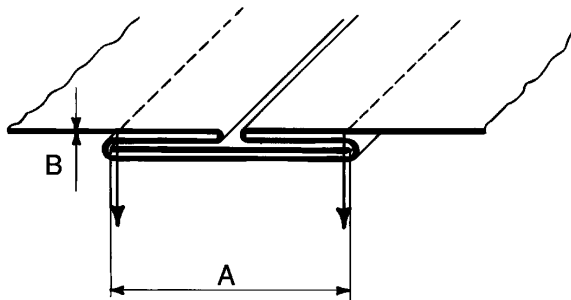
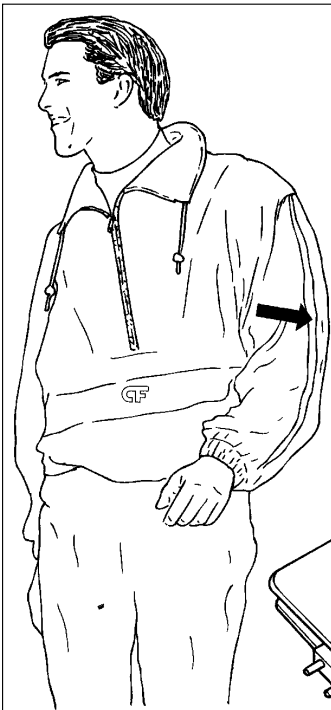
A mm.	B	
15+30	M	



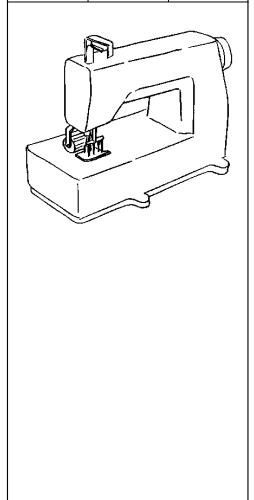
A mm.	B mm.	C
12	3	L
14	3	L
16	3	L

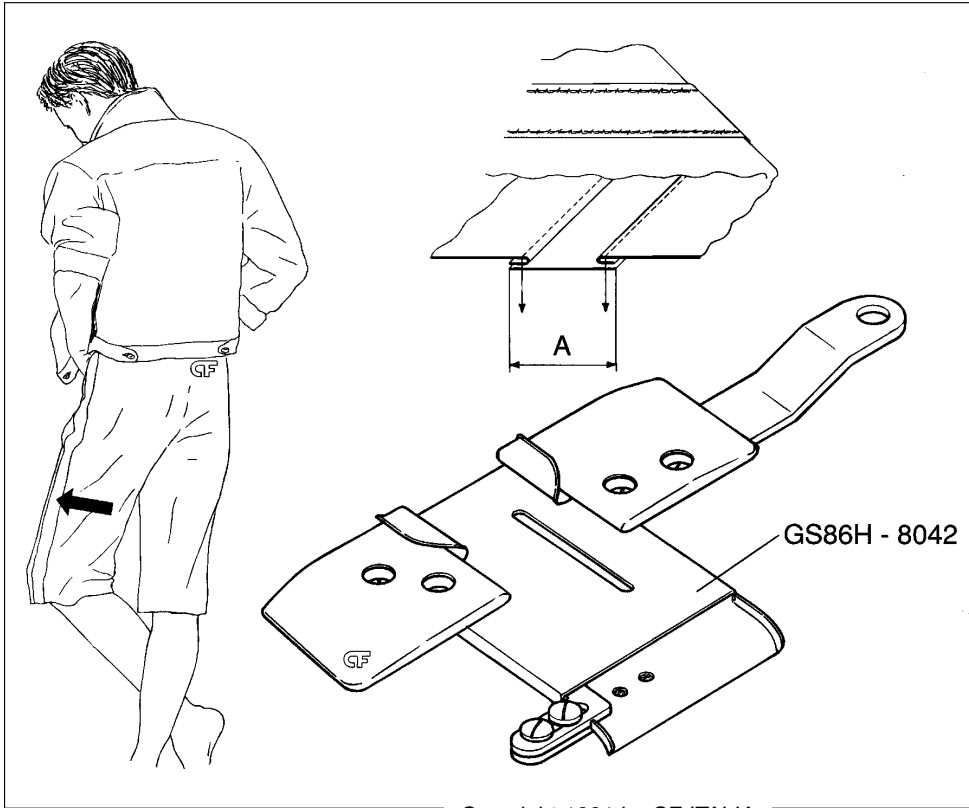


Copyright 1991 by CF ITALIA



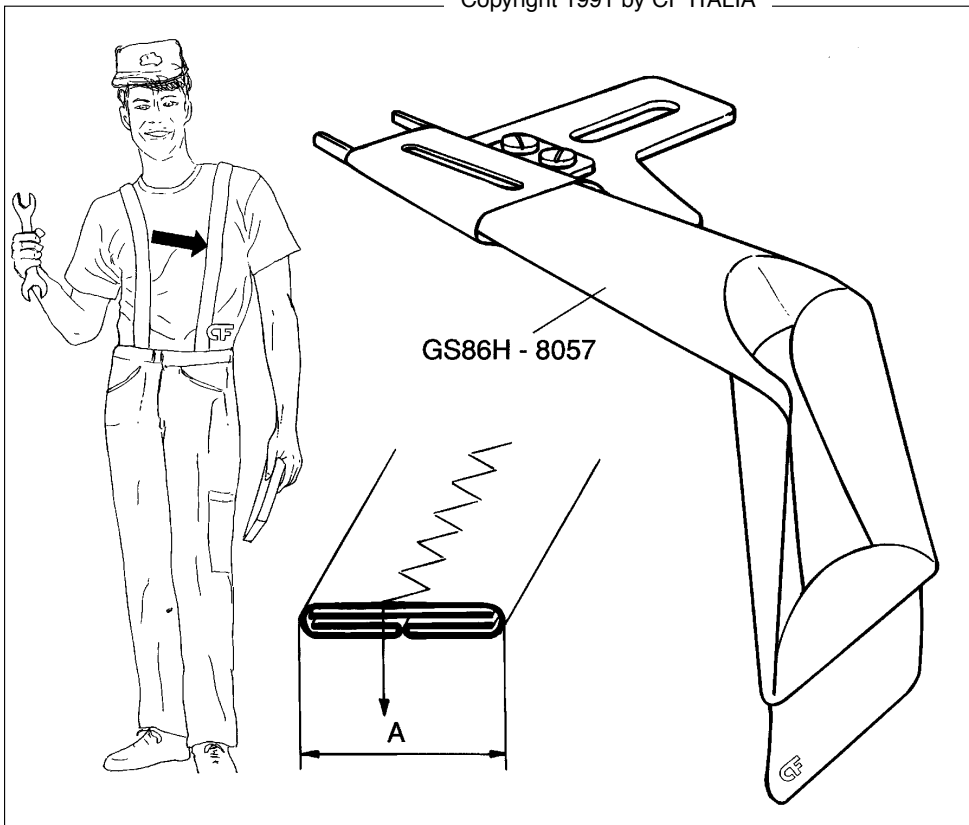
A mm.	B	
30	L	





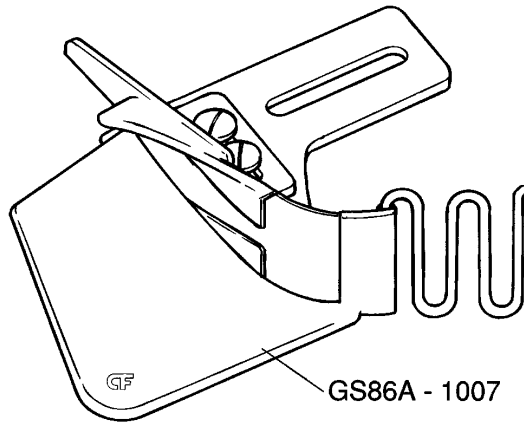
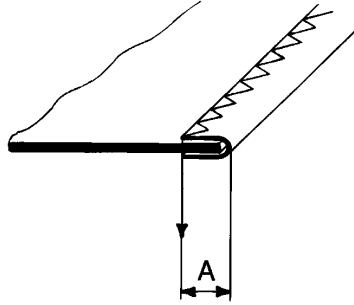
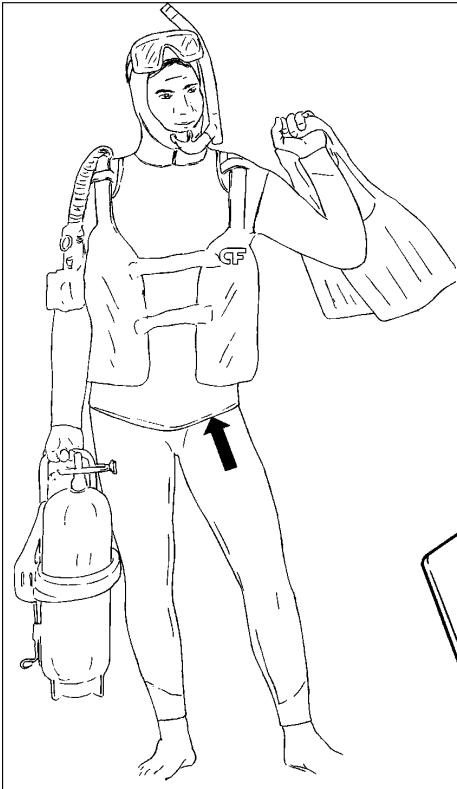
A mm.		
22+45		

Copyright 1991 by CF ITALIA

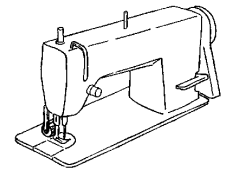


A mm.		
35		

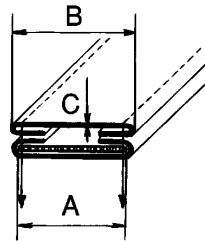
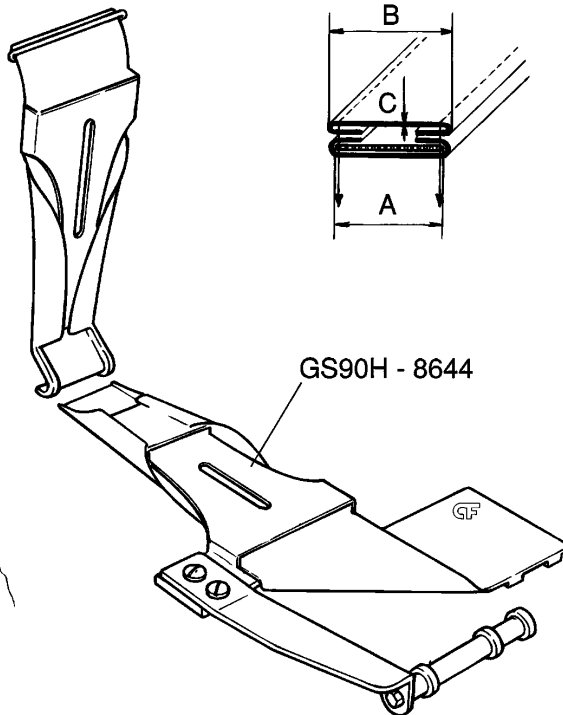
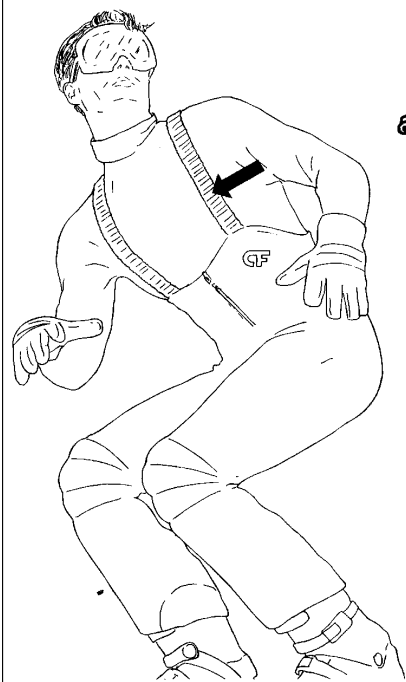




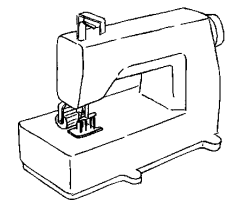
A mm.		
12		



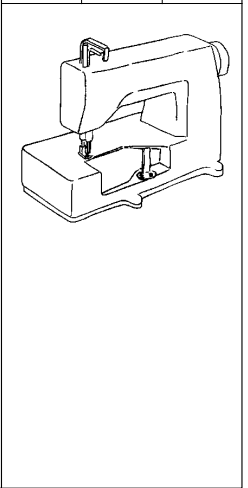
Copyright 1991 by CF ITALIA



A mm.	B mm.	C
30 35	32 37	L L

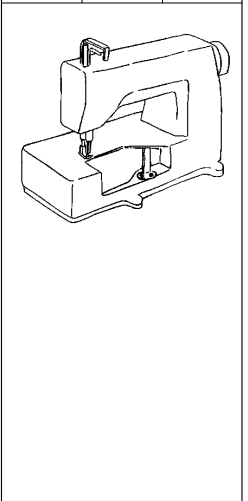


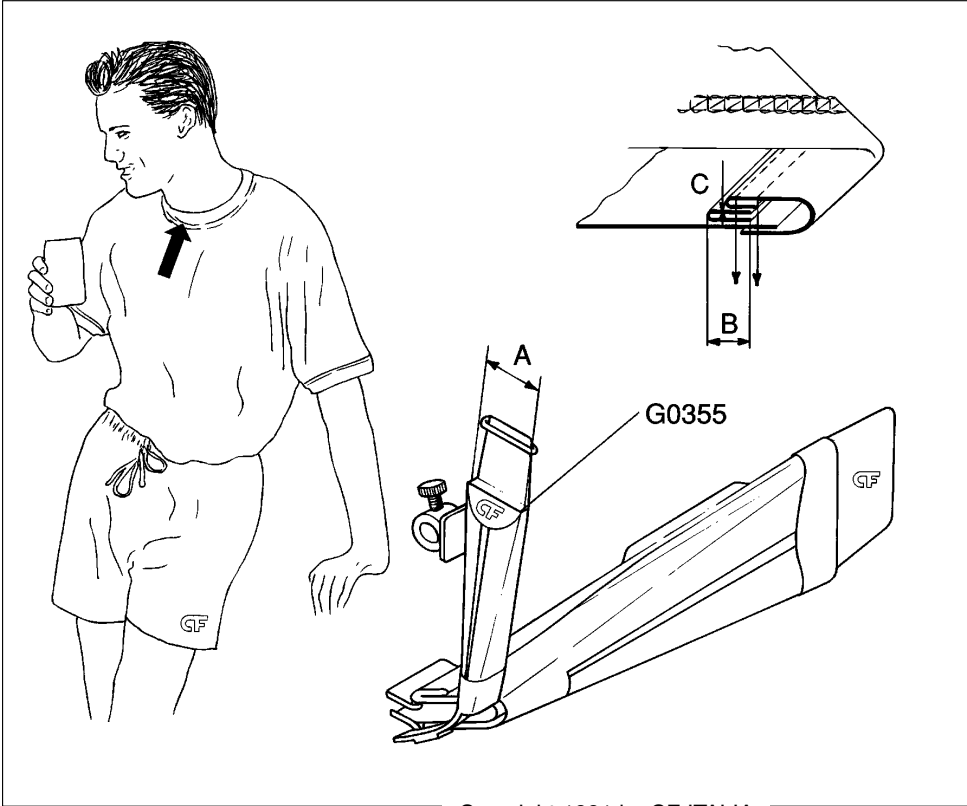
A mm.		
10 12 15		



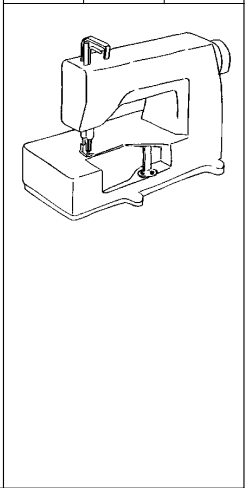
Copyright 1991 by CF ITALIA

A mm.		
7 8 10		

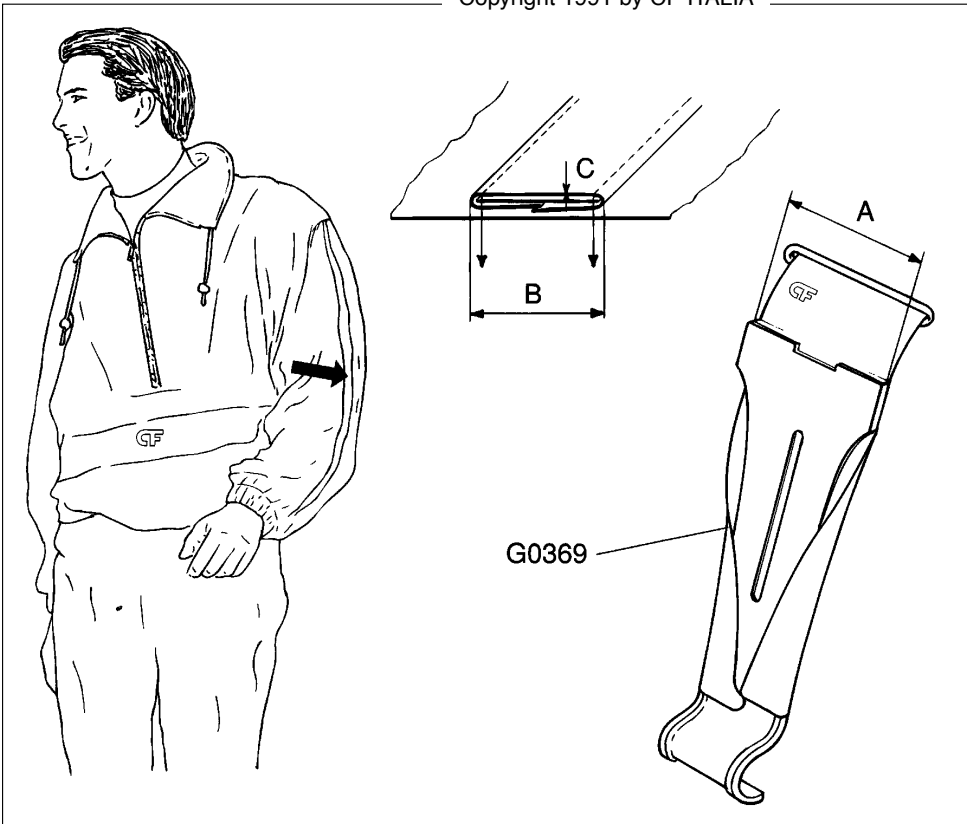




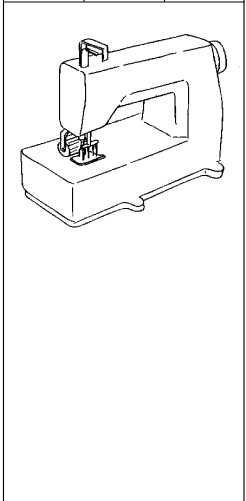
A mm.	B mm.	C
15	7,5	L-M
20	10	L-M-H
30	15	M-H

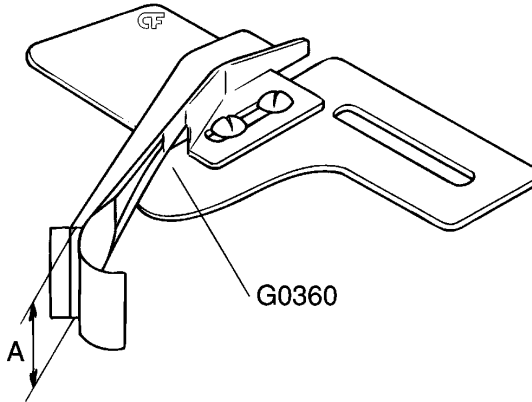
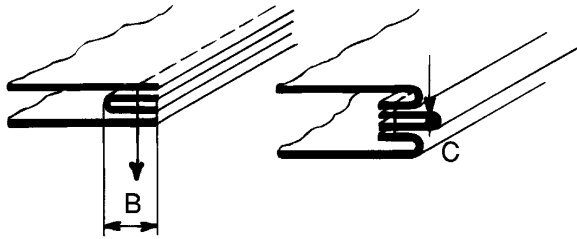
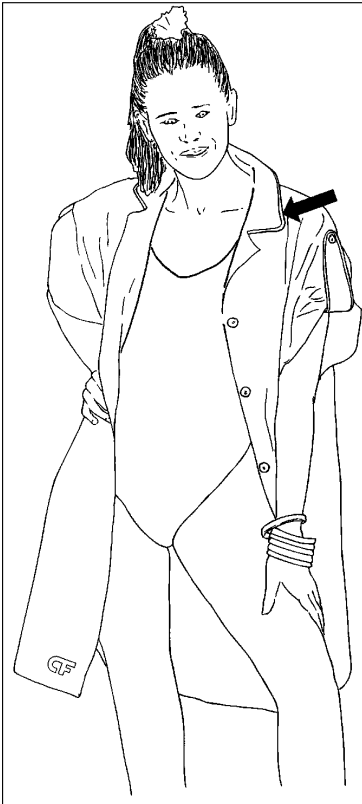


Copyright 1991 by CF ITALIA

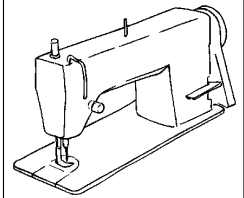


A mm.	B mm.	C
45	21	L
55	26	L
59	28	L
65	31	L
71	34	L
75	36	L
85	41	L

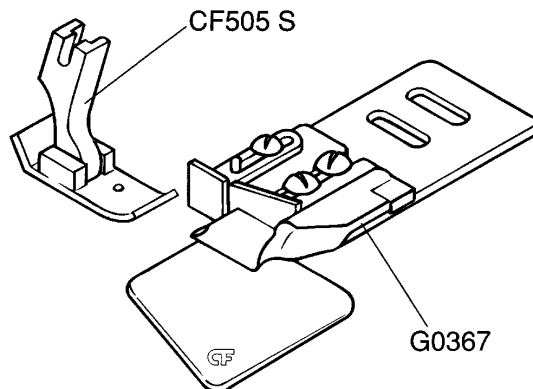
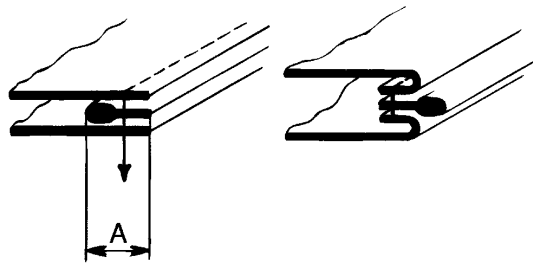
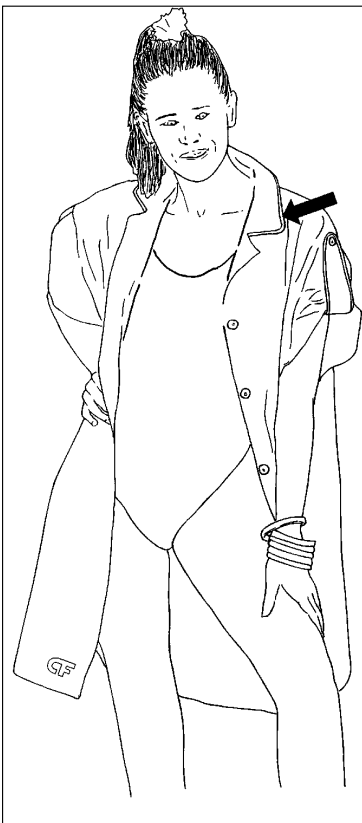




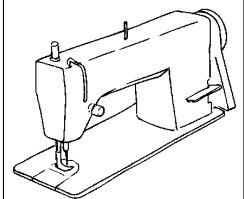
A mm.	B mm.	C
14	7	M
16	8	M
19	9,5	M
22	11	M-H
30	15	M-H



Copyright 1991 by CF ITALIA



A mm.		
10		
12		
15		

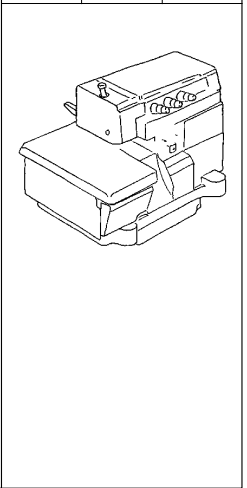


BM 6001

G0381

G0432 - Rimoldi  
G0433 - Union Special  
G0439 - Brother  
G0440 - Yamato  
G0443 - Juki  
G0446 - Willcox & Gibbs  
G0447 - Willcox & Gibbs

A mm.		
10		
12		
15		

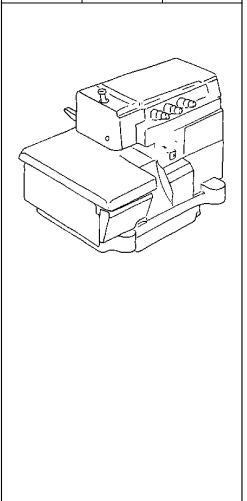


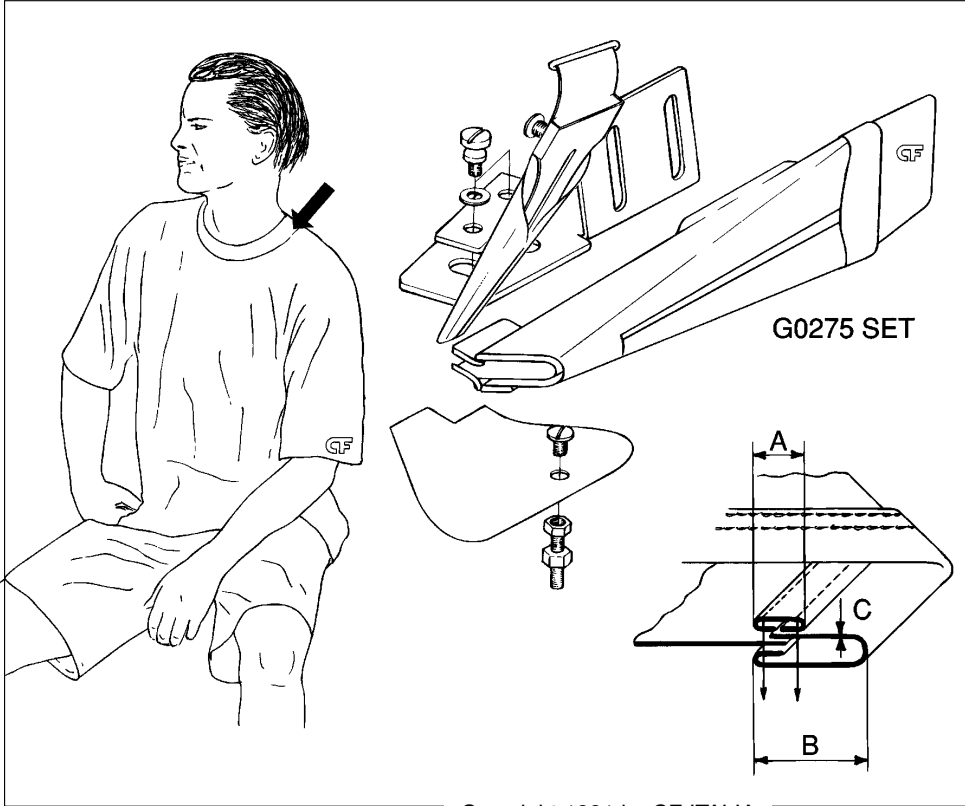
Copyright 1991 by CF ITALIA

G0330

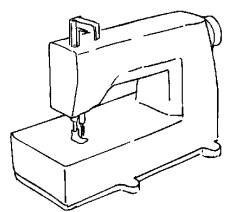
G0432 - Rimoldi  
G0433 - Union Special  
G0439 - Brother  
G0440 - Yamato  
G0443 - Juki  
G0446 - Willcox & Gibbs  
G0447 - Willcox & Gibbs

A mm.	B	
9	M	
12	M	
15	M	
10	H	
11	H	
15	H	



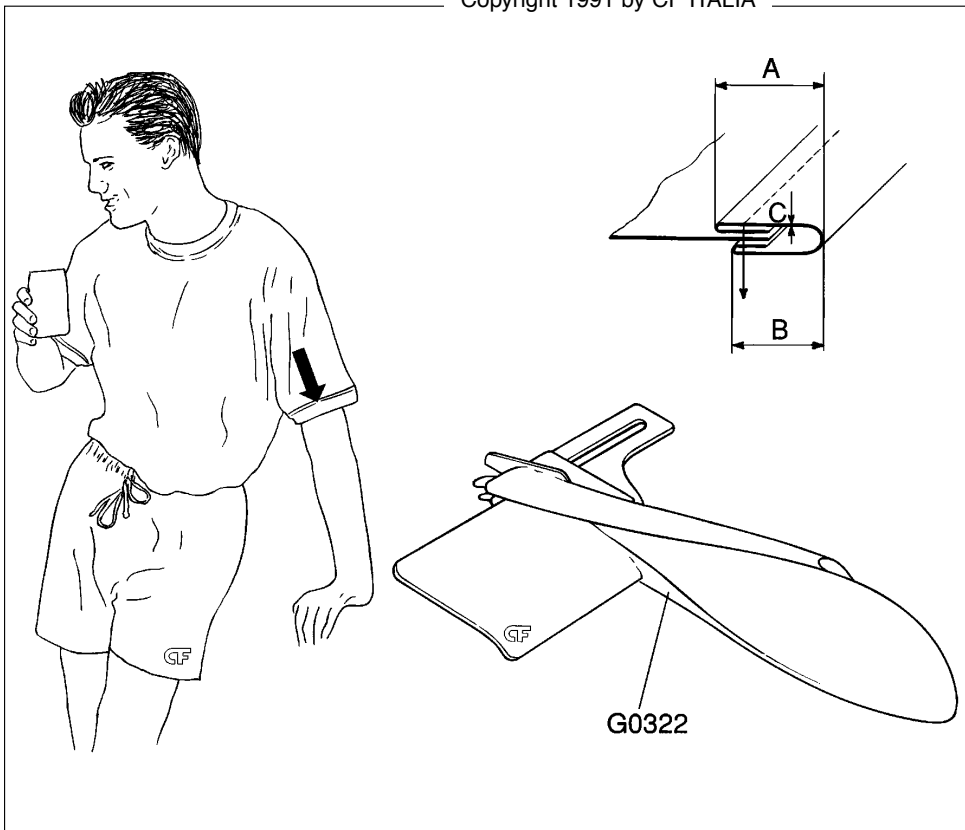


A mm.	B mm.	C
9 10	20 25 30	M M M

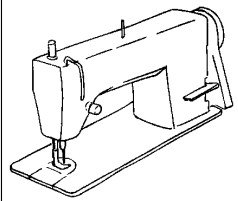


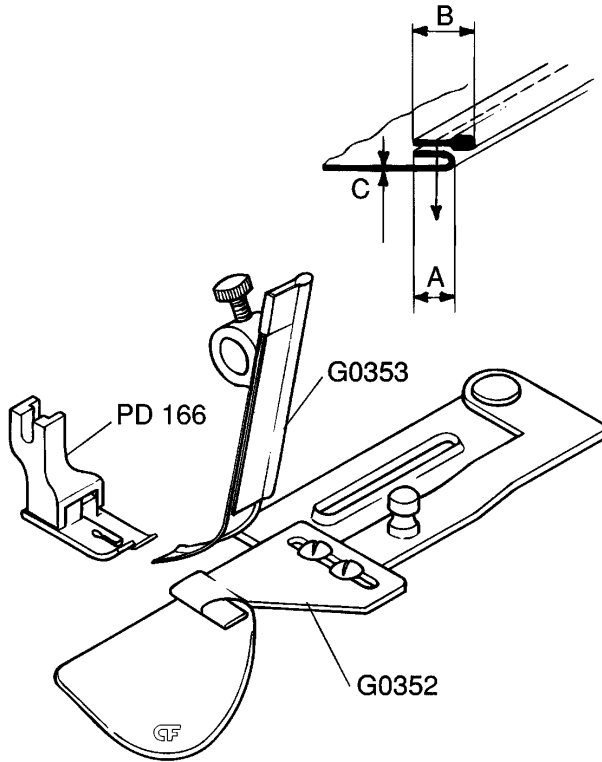
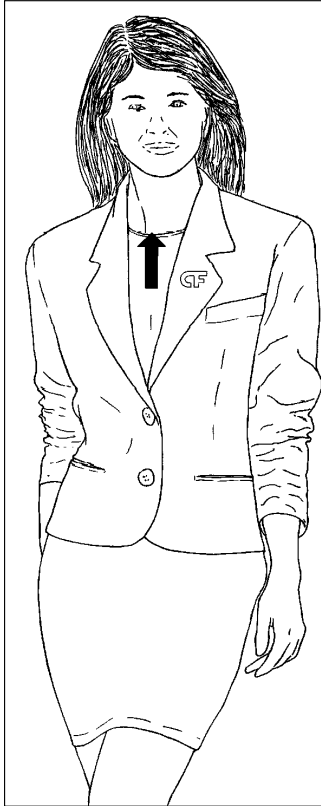
Rimoldi 264 - 2CA  
Yamato - 2402

Copyright 1991 by CF ITALIA

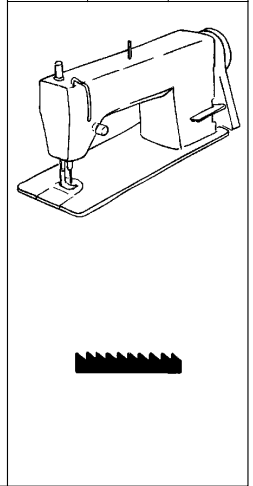


A mm.	B mm.	C
27	20	M

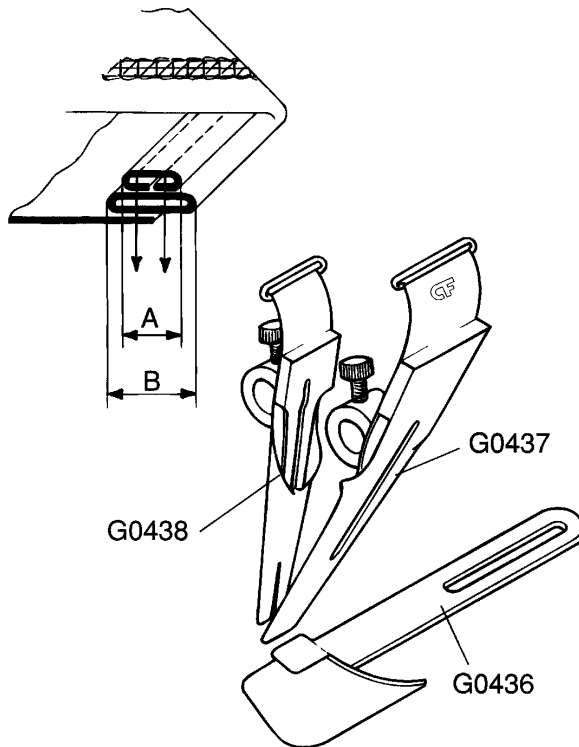
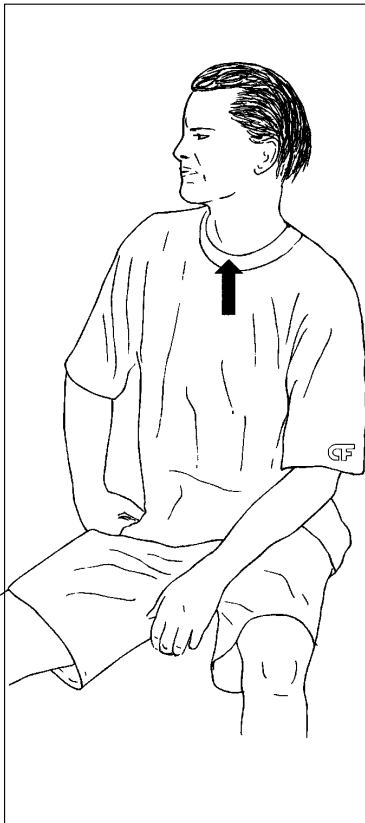




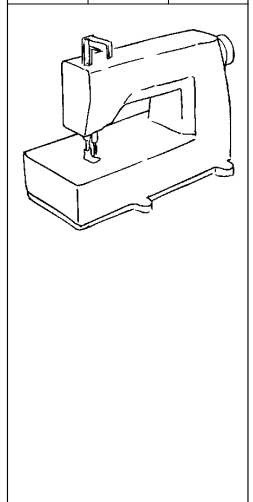
A mm.	B mm.	C
7	10	M



Copyright 1991 by CF ITALIA



A mm.	B mm.	
10	15	



G0385

G0432 - Rimoldi  
G0433 - Union Special  
G0439 - Brother  
G0440 - Yamato  
G0443 - Juki  
G0446 - Willcox & Gibbs  
G0447 - Willcox & Gibbs

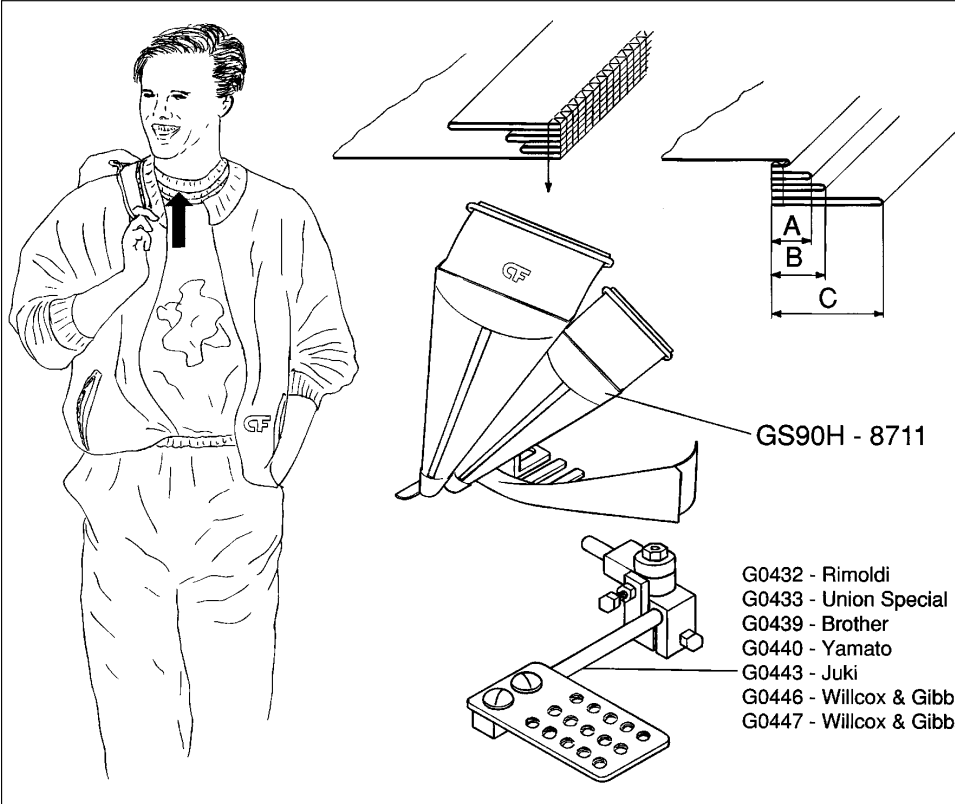
A	B	C
mm.	mm.	
40	20	M-H
45	22	M-H
50	25	M-H
56	28	M-H
64	32	M-H
80	40	M-H
90	45	M-H
110	55	M-H
120	60	M-H
140	70	M-H

Copyright 1991 by CF ITALIA

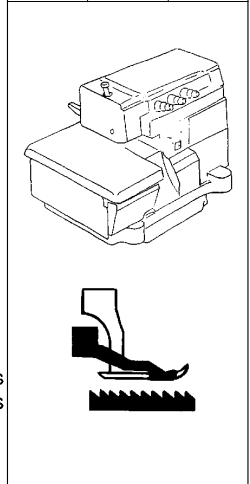
G0375

A	B	C
mm.	mm.	
12	6	L
14	7	L
18	9	L-M
20	10	M
22	11	M
24	12	L
26	13	M
28	14	M
30	15	L-M
32	16	M
35	17	L-M
38	19	M
38	21	L
40	22	M
44	26	L-M
47	29	M
48	31	L
50	32	M
51	34	L
54	36	L-M
58	41	L
60	42	M
73	55	M





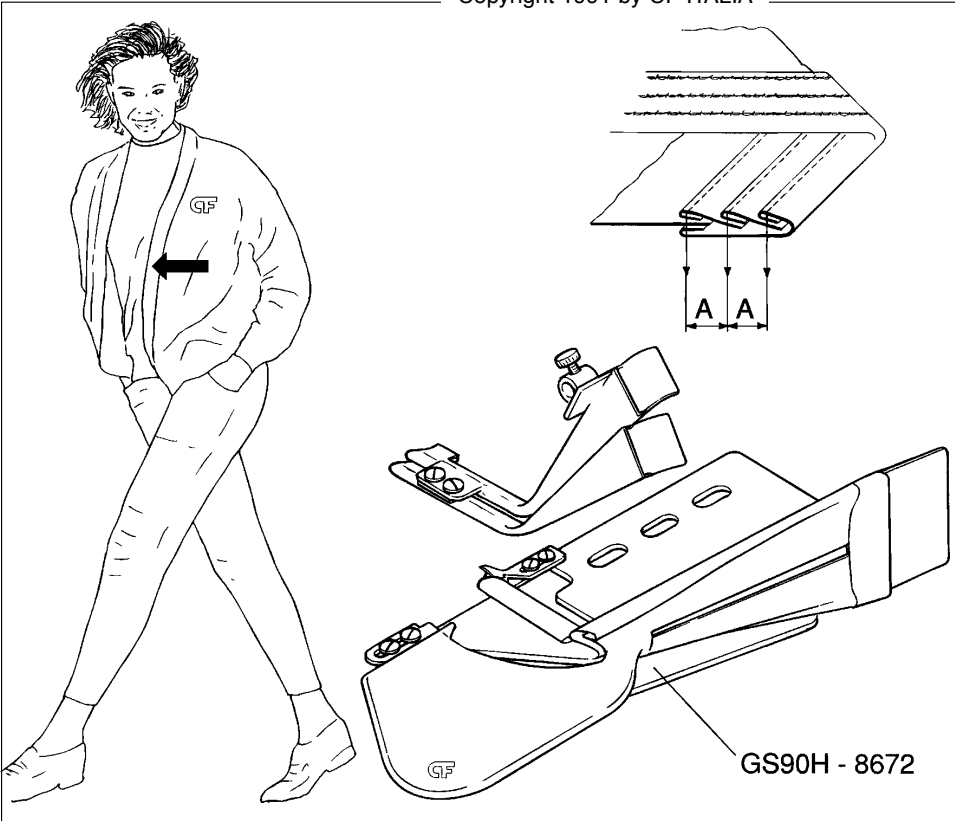
A mm.	B mm.	C mm.
12	17	35



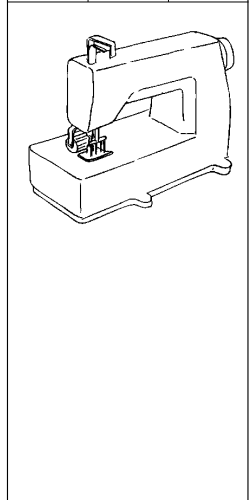
GS90H - 8711

- G0432 - Rimoldi
- G0433 - Union Special
- G0439 - Brother
- G0440 - Yamato
- G0443 - Juki
- G0446 - Willcox & Gibbs
- G0447 - Willcox & Gibbs

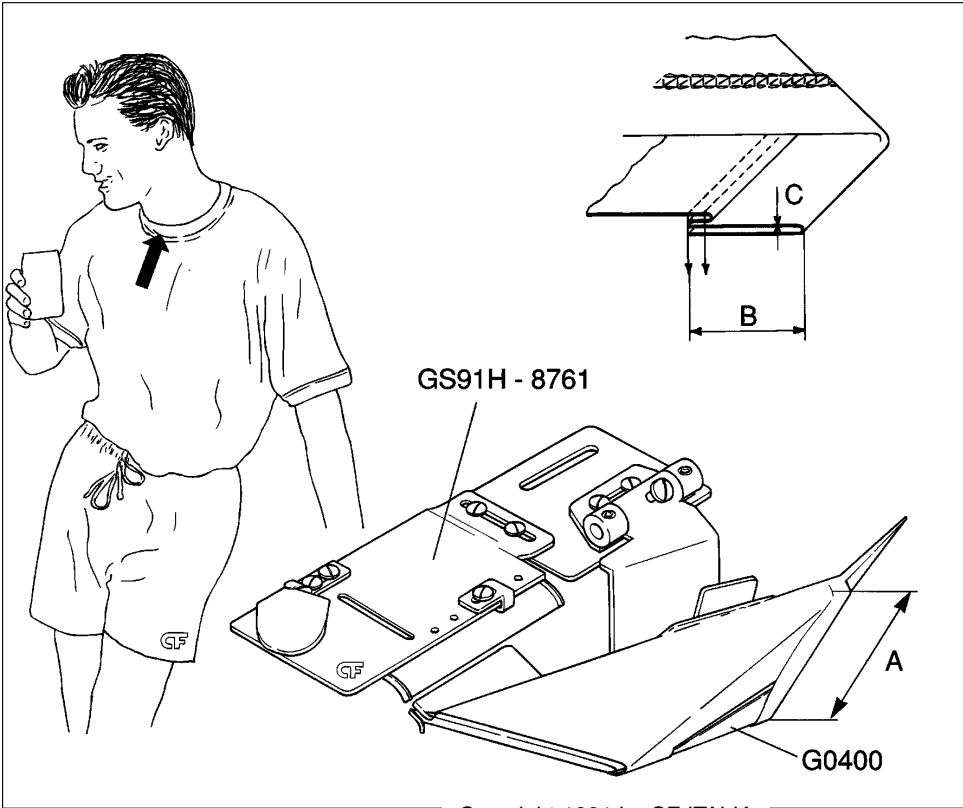
Copyright 1991 by CF ITALIA



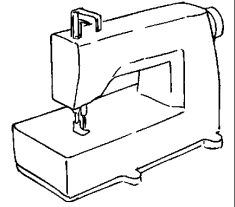
A mm.		
4,8		
6,4		
9,6		



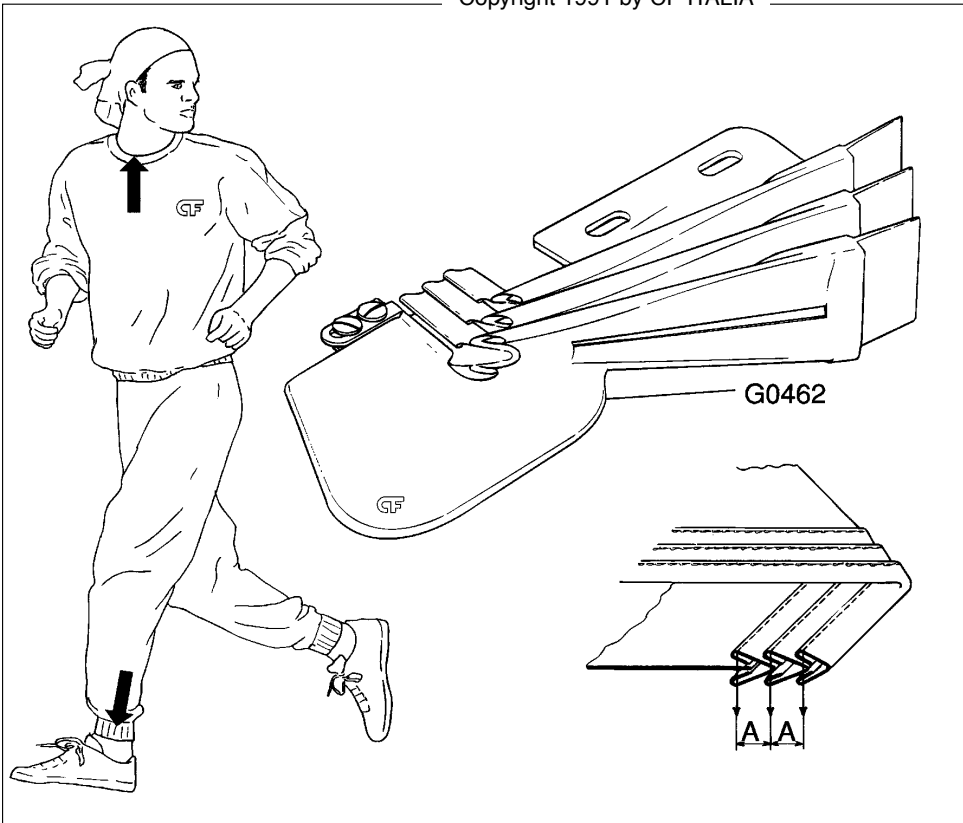
GS90H - 8672



A mm.	B mm.	C
32	16	2
38	19	2
44	22	2
51	25,5	2
64	32	2
70	35	2
80	39	2,5
100	50	2,5
120	60	2,5
130	65	2,5

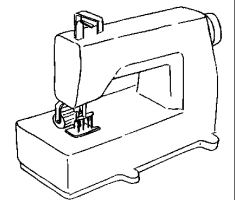


Copyright 1991 by CF ITALIA

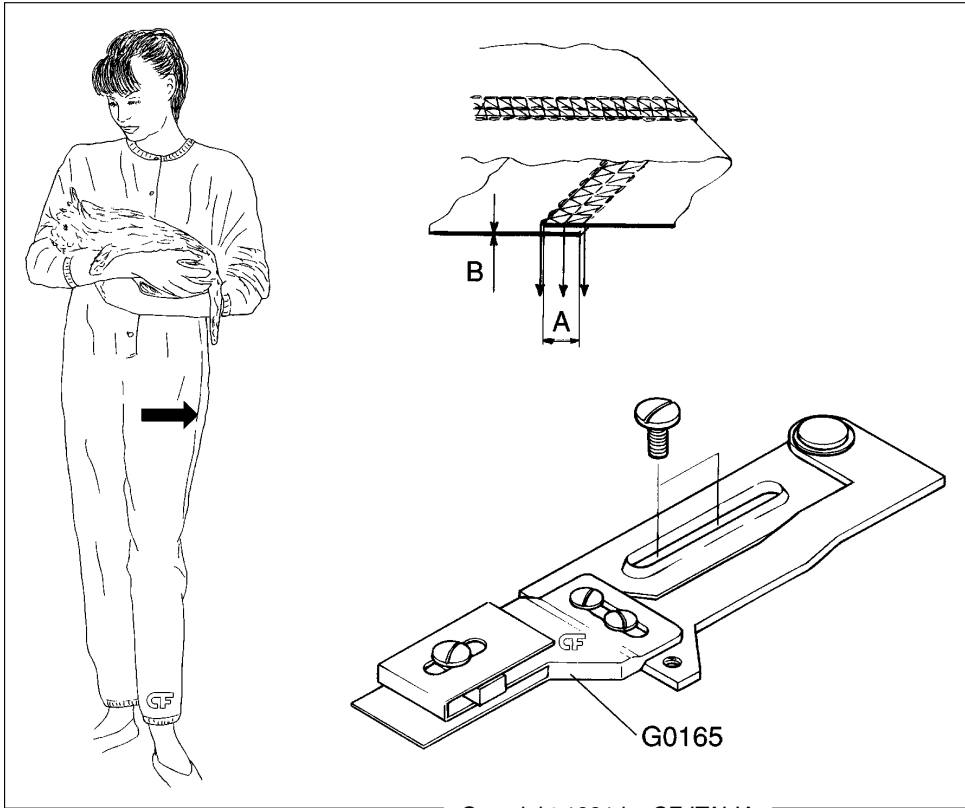


A mm.		
4,8		
6,4		
9,6		

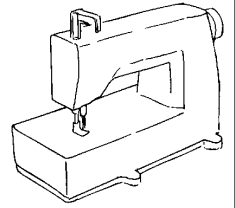
**UNITA' COMPLETA  
CF 2200/7 \***



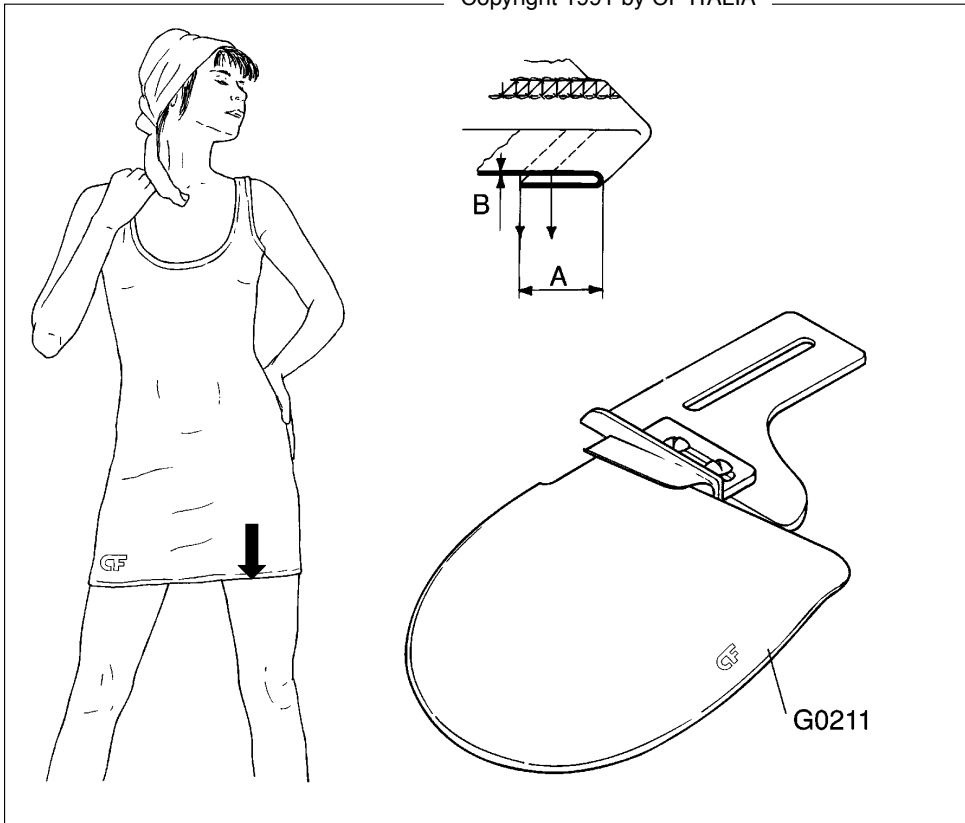
\* Refer to catalogue "UNITA' COMPLETE"



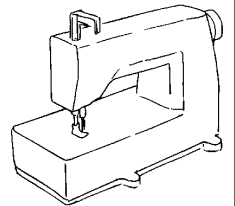
A mm.	B	
0÷15	M	
0÷15	H	



Copyright 1991 by CF ITALIA



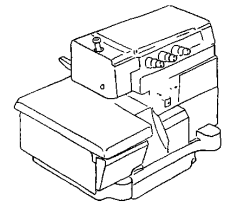
A mm.	B	
20	M-H	
25	M-H	
30	M	
35	M	
40	M	



G0385

G0432 - Rimoldi  
 G0433 - Union Special  
 G0439 - Brother  
 G0440 - Yamato  
 G0443 - Juki  
 G0446 - Willcox & Gibbs  
 G0447 - Willcox & Gibbs

A mm.	B mm.	C
40	20	M-H
45	22	M-H
50	25	M-H
56	28	M-H
64	32	M-H
80	40	M-H
90	45	M-H
110	55	M-H
120	60	M-H
140	70	M-H

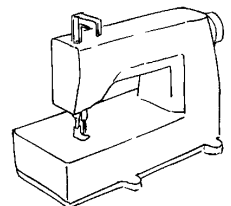


Copyright 1991 by CF ITALIA

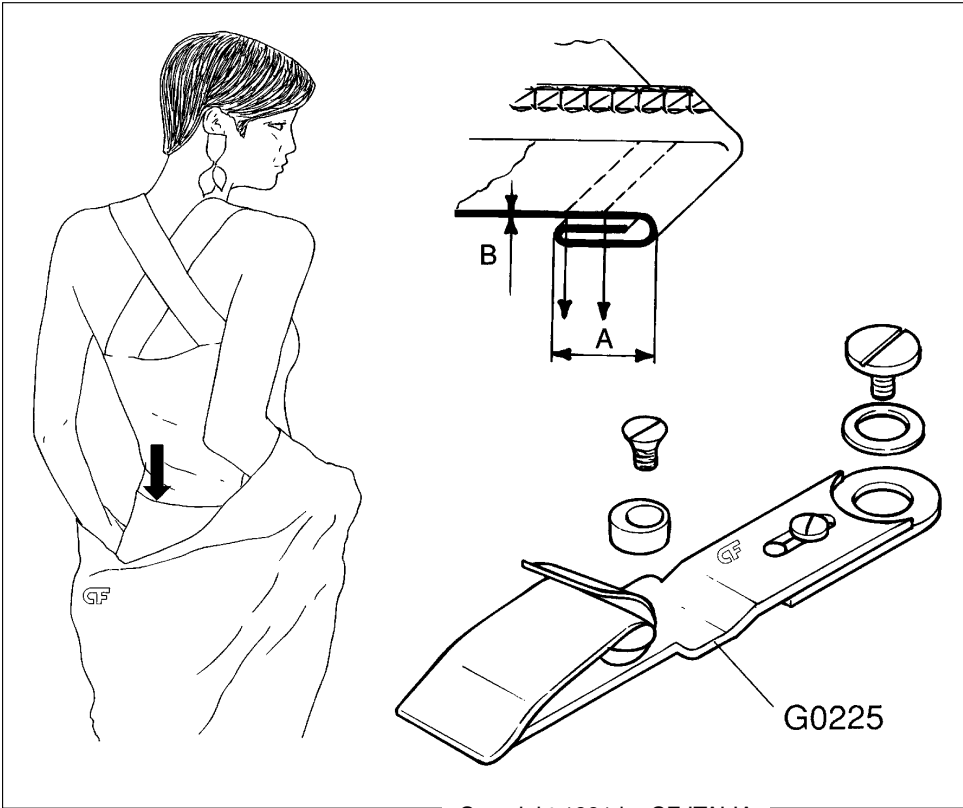
G0210

G0432 - Rimoldi  
 G0433 - Union Special  
 G0439 - Brother  
 G0440 - Yamato  
 G0443 - Juki  
 G0446 - Willcox & Gibbs  
 G0447 - Willcox & Gibbs

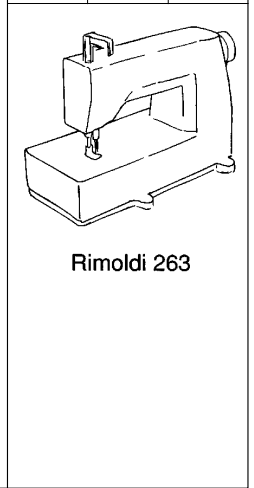
A mm.	B	
20+35	M-H	



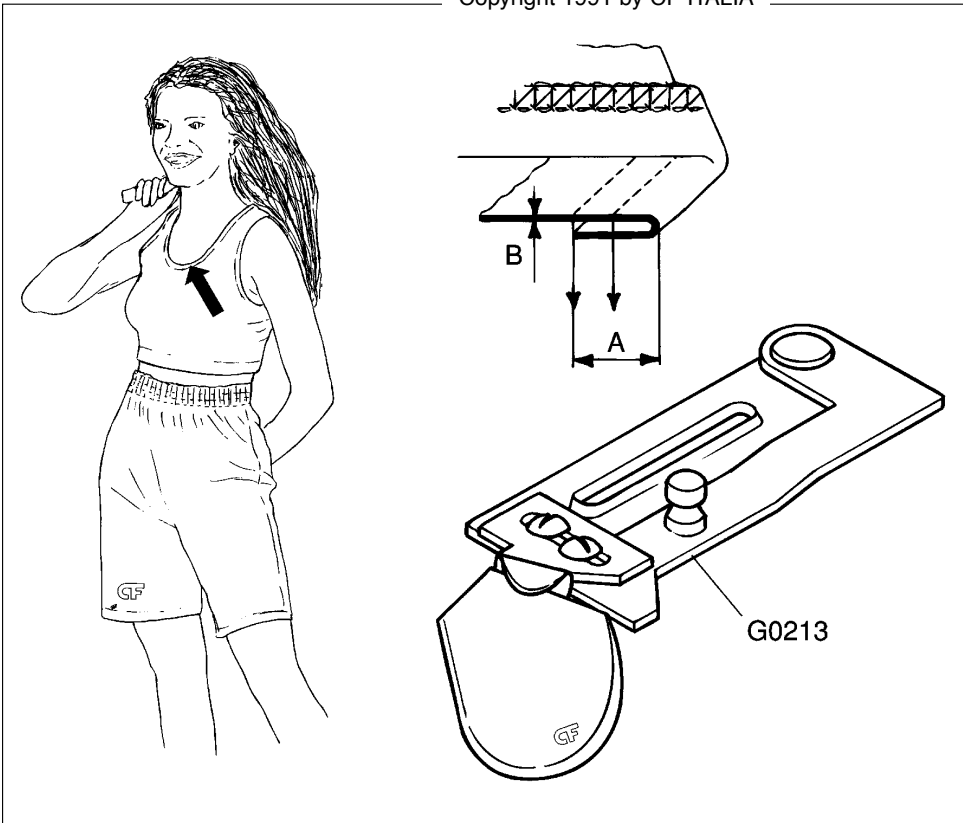
Rimoldi 263



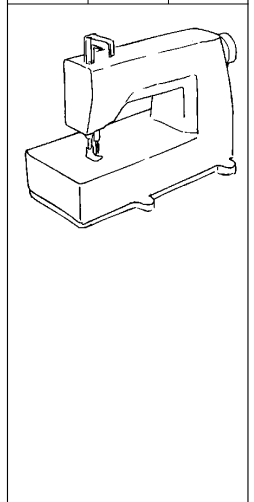
A mm.	B
8	M
10	M
12	M

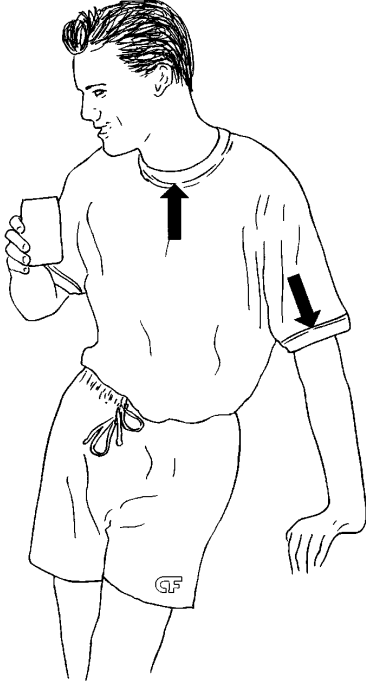


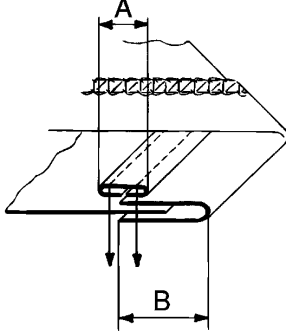
Copyright 1991 by CF ITALIA



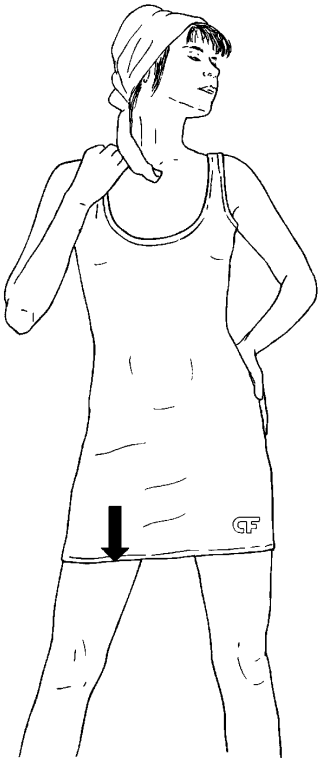
A mm.	B
10	M
12	M

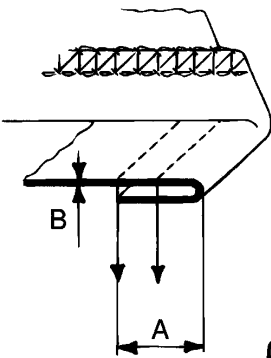







A mm.	B mm.
9	19
10	22
	25,5
	32
	35
	39

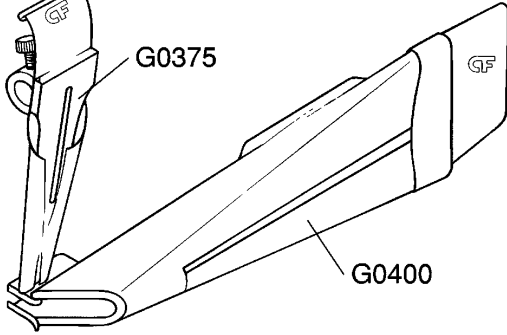




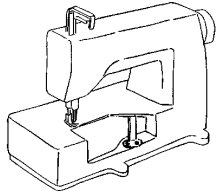
A mm.	B
10÷20	M



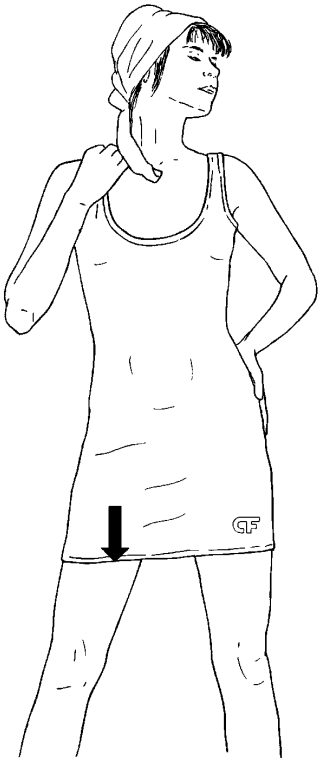
G0375

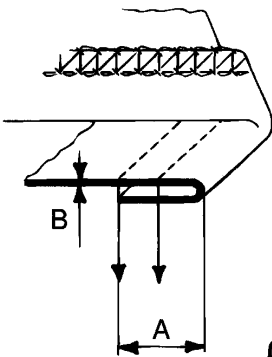


G0400

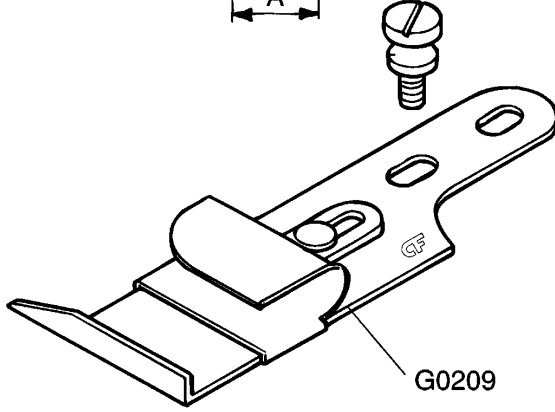


Copyright 1991 by CF ITALIA




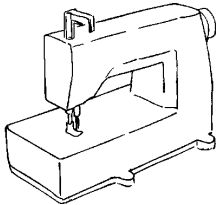


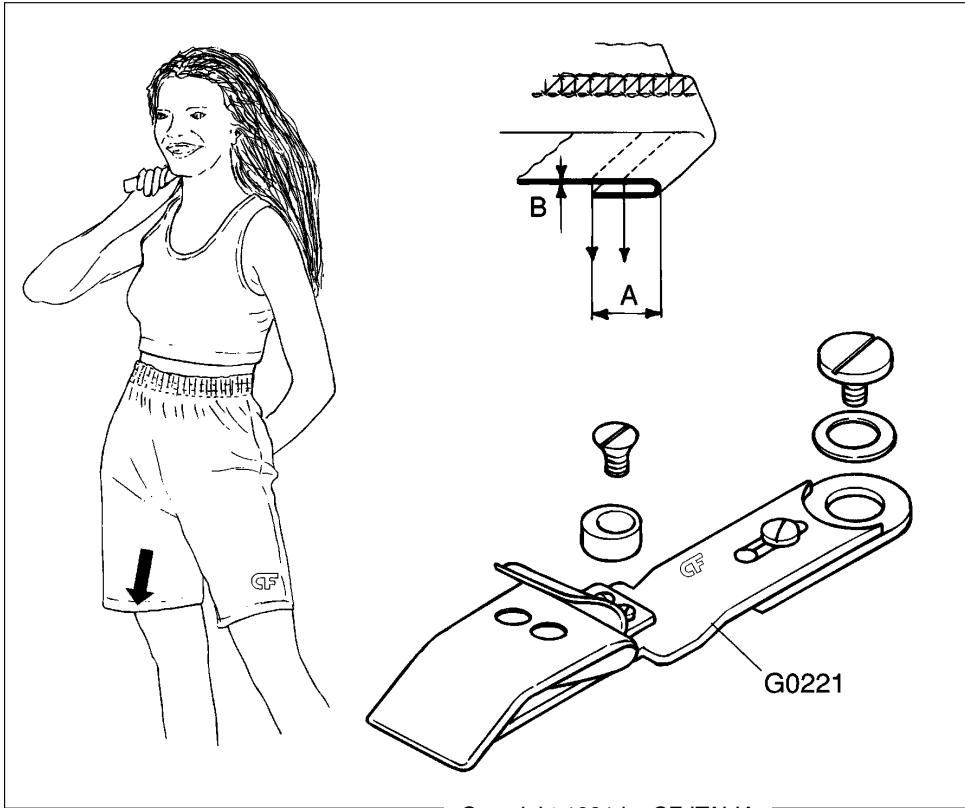
A mm.	B
10÷20	M



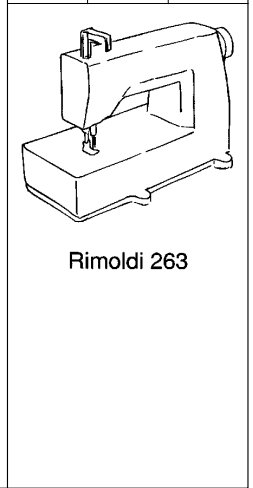
G0209



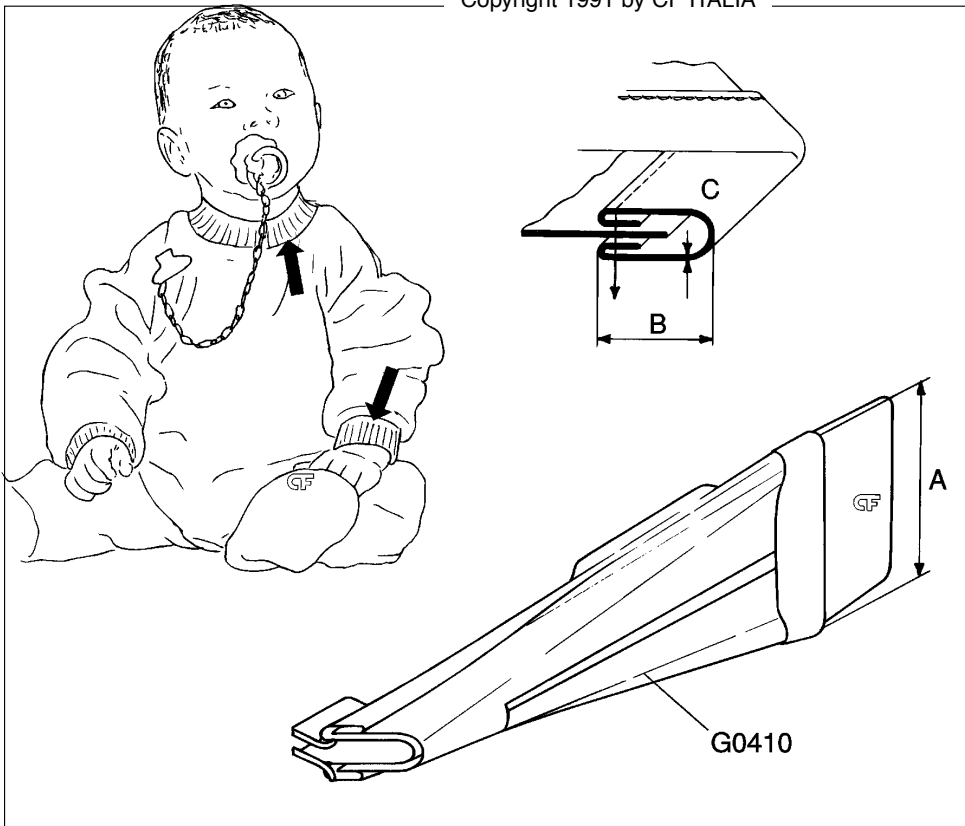




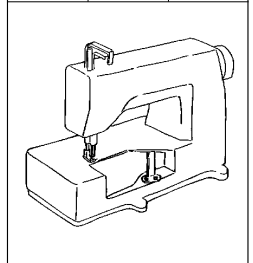
A mm.	B	
8+15	M	

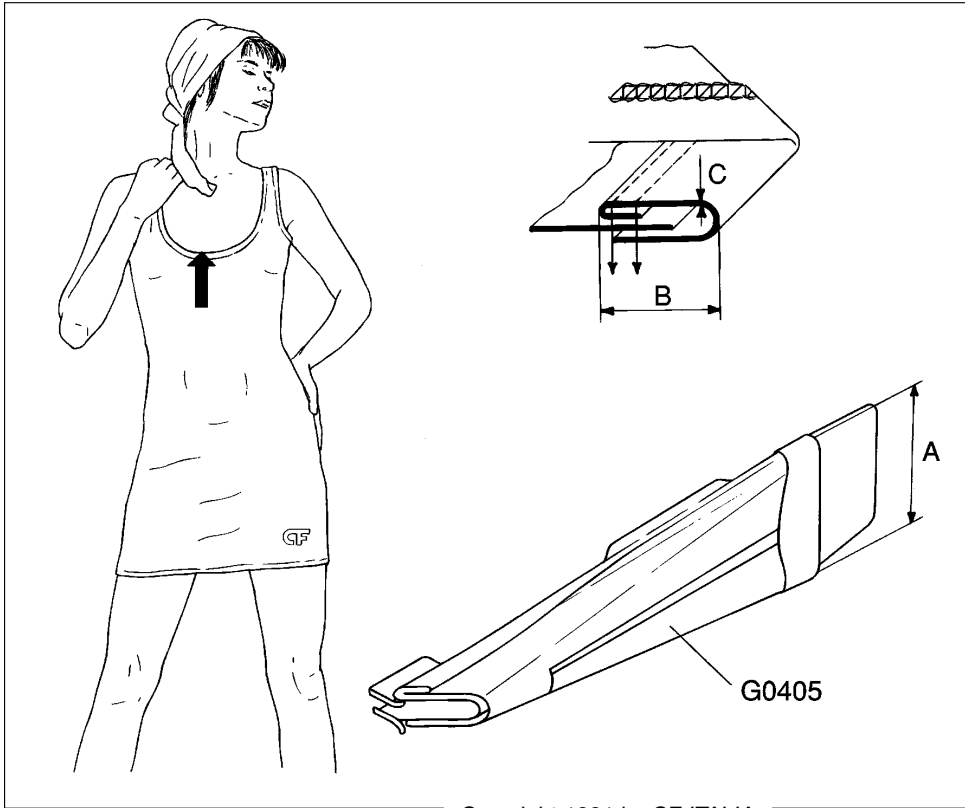


Copyright 1991 by CF ITALIA

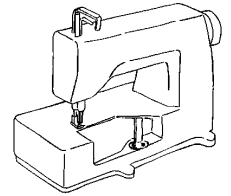


A mm.	B mm.	C mm.
22	5,5	1 - 2
25	6	2
28	7	1 - 2
32	8	1,5
35	10	2
38	12	2
42	14	2
46	16	2
56	21	2,5
65	25	2
66	26	3,5
78	29	1,4 - 2
86	35	1,5
92	38	1,2
96	40	2,5-3,5
100	42	1,5
130	57	2,5-3,5

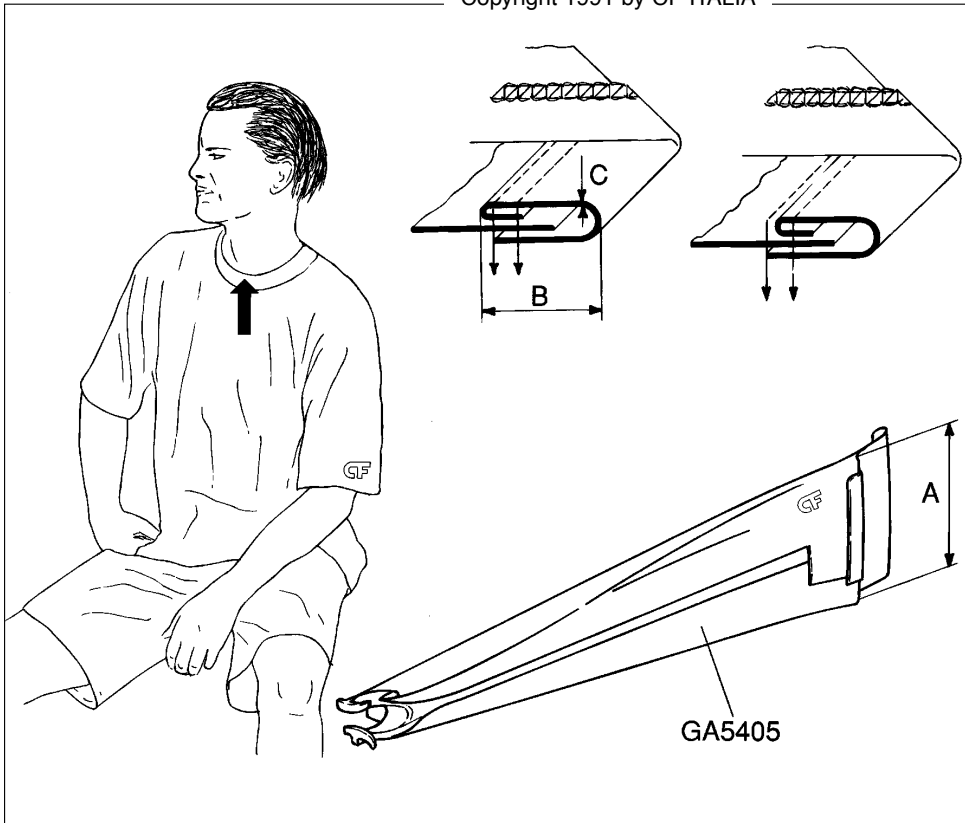




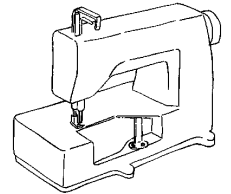
A	B	C
mm.	mm.	mm.
22	8	1,5
27	10	1,3
32	12	1,7-2,7
38	16	1,7-2,7
45	19	2 - 3
51	21	2 - 3
57	25	2 - 3,2
70	32	3,5
72	32	2
80	37	2 - 3,7
100	47	3
120	57	3
130	62	3



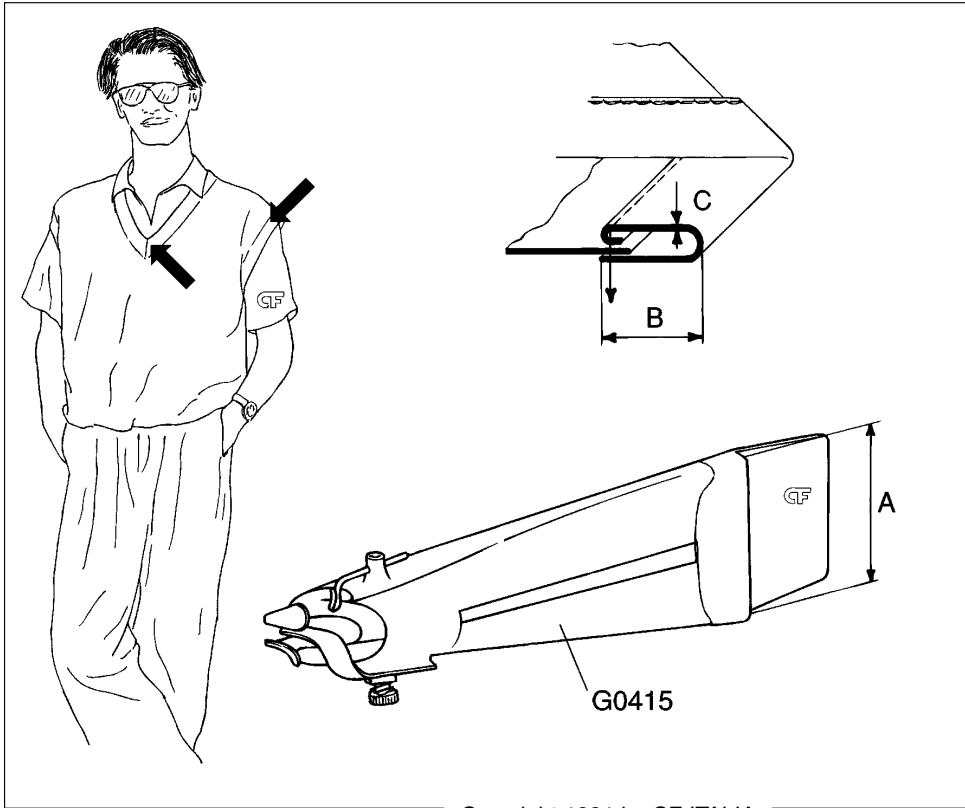
Copyright 1991 by CF ITALIA



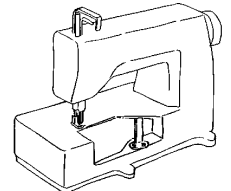
A	B	C
mm.	mm.	mm.
24	8	2
28	10	2
32	12	2
35	14	2
38	15	2
42	17	2
46	19	2
50	21	2
55	23	2
60	25	2



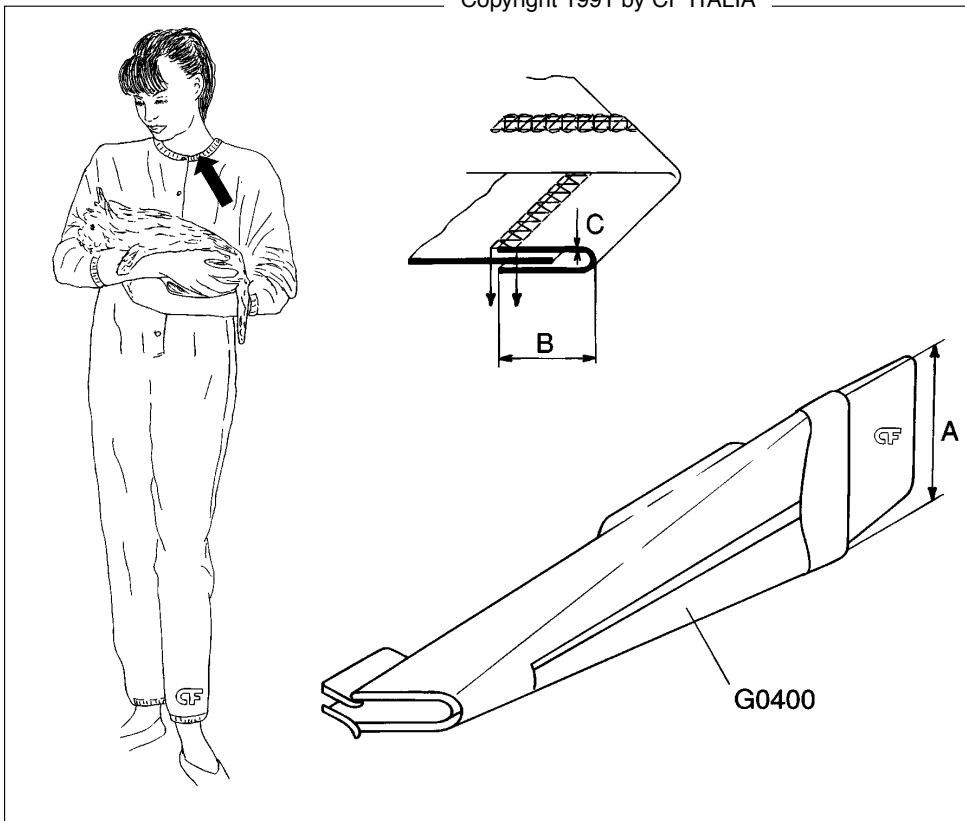




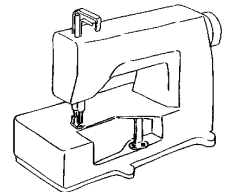
A mm.	B mm.	C mm.
36	12	6,5
40	13	6,5
45	15	6,5
50	18	6,5
55	20	6,5
60	22	6,5
65	25	6,5
70	28	6,5
75	30	6,5
80	32	6,5
85	35	6,5
100	42	6,5
110	47	6,5
120	52	6,5
130	57	6,5
140	62	6,5
150	67	6,5
160	72	6,5
170	77	6,5
180	82	6,5

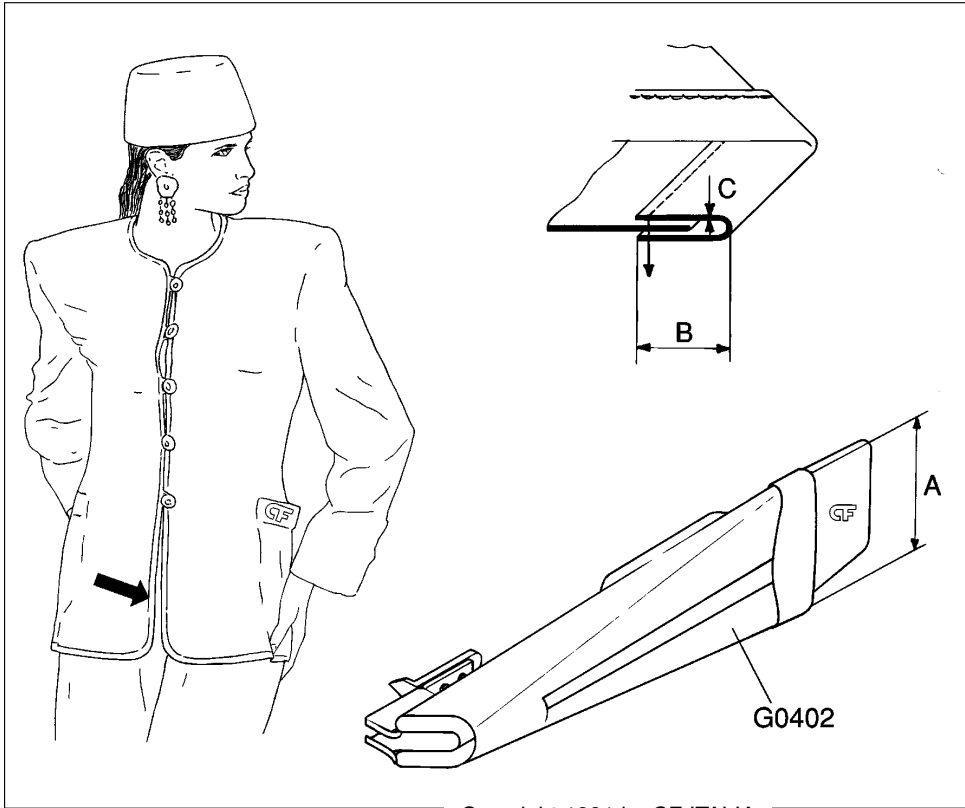


Copyright 1991 by CF ITALIA

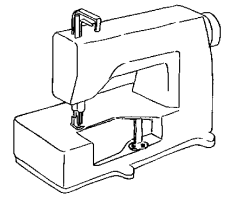


A mm.	B mm.	C mm.
15	7,5	1
20	10	1,4
25,5	12,5	1,5 - 2
32	16	1,5 - 2
38	19	2 - 2,7
44,5	22	2 - 3
51	25,5	2 - 3,2
63,5	32	2 - 3,5
70	35	2
80	39	2,5
100	50	2,5
120	60	2,5
130	65	2,5

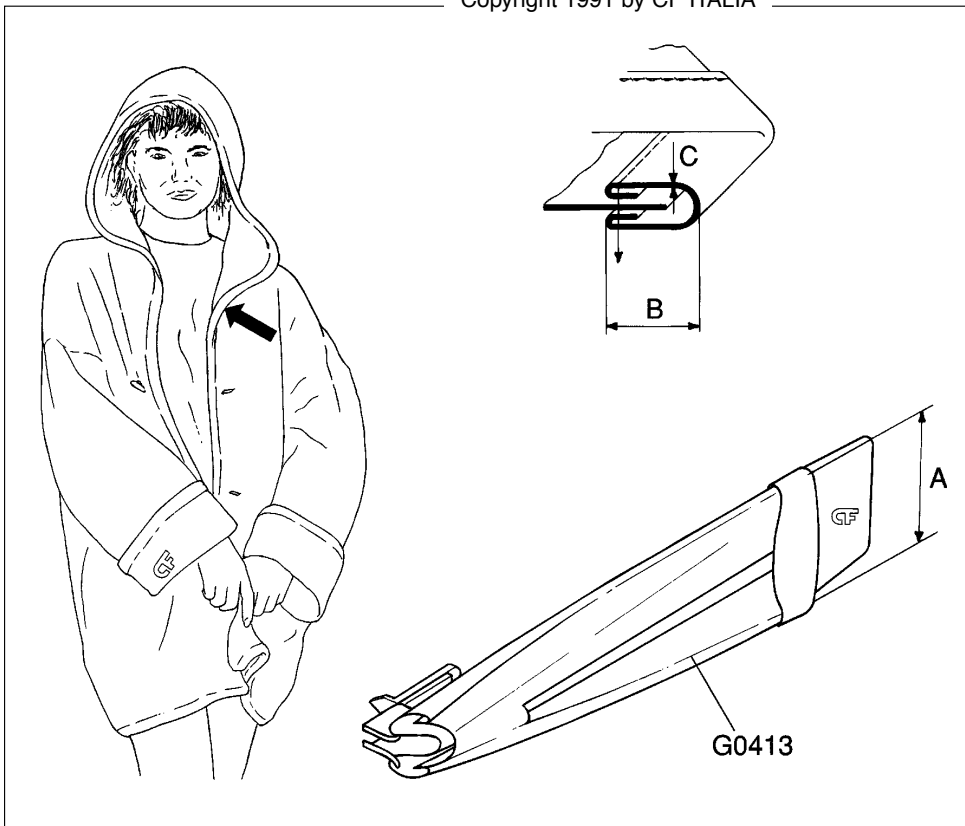




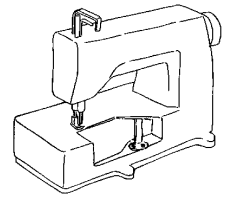
A mm.	B mm.	C mm.
18	9	3
20	10	3
26	13	3
30	15	4
35	17	4
40	20	4
45	22	4
50	25	4
55	27	4
60	30	4

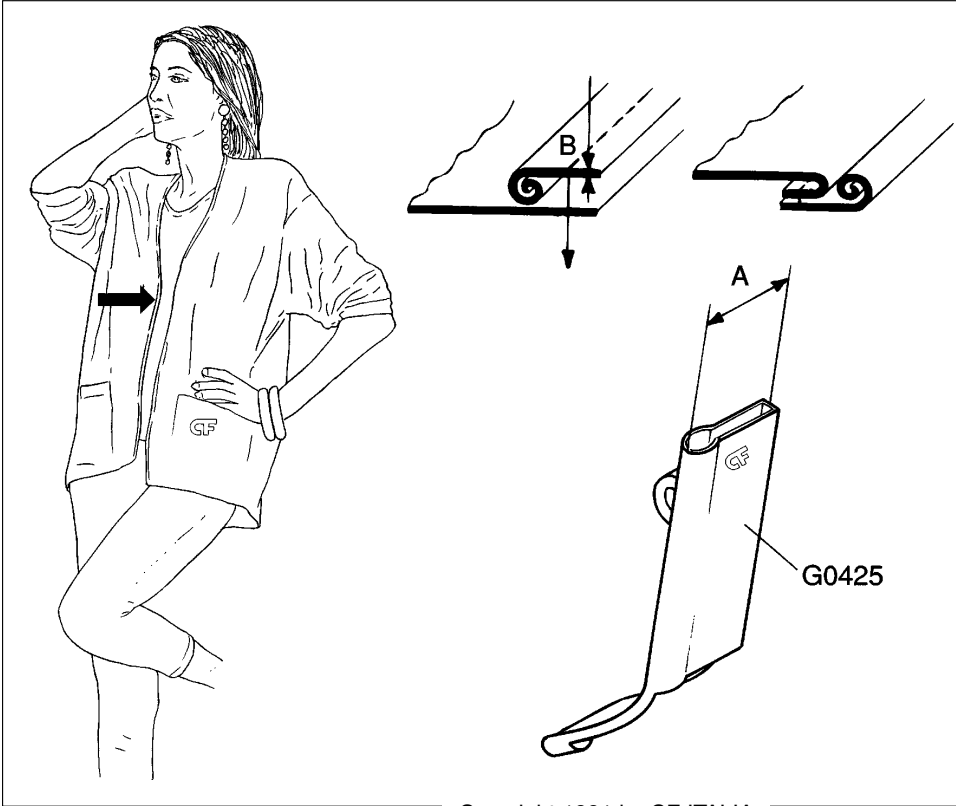


Copyright 1991 by CF ITALIA

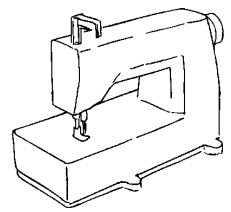


A mm.	B mm.	C mm.
32	8	3,5
38	12	3,5
45	15	3,5
50	19	3,5
60	22	3,5
70	26	3,5
80	30	3,5

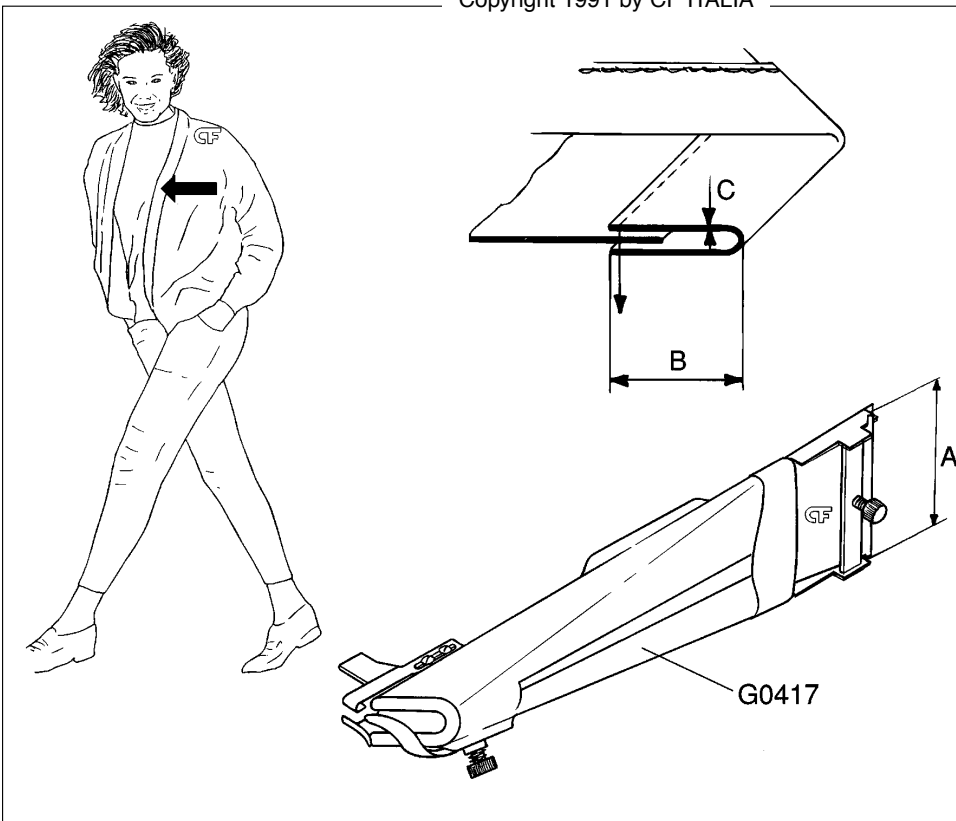




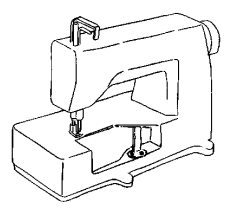
A mm.	B	C
26	H	




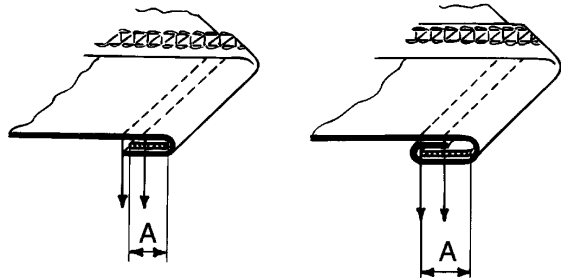
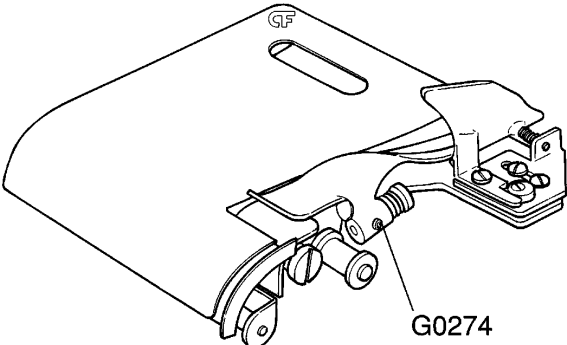
Copyright 1991 by CF ITALIA



A mm.	B mm.	C mm.
20	10	6
25	12	6
30	15	6
35	17	6
40	20	6
45	22	6
50	25	6
55	27	6
60	30	6
65	32	6
70	35	6
75	37	6
80	40	6
85	42	6
90	45	6
95	47	6
100	50	6

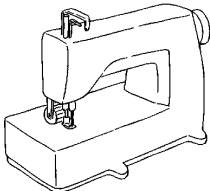




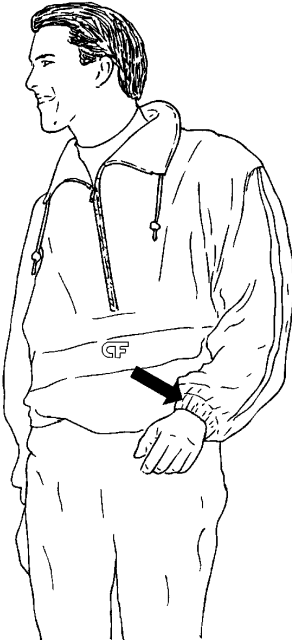



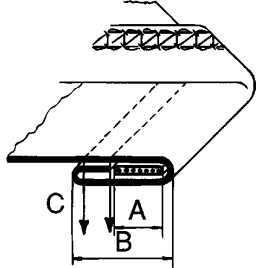
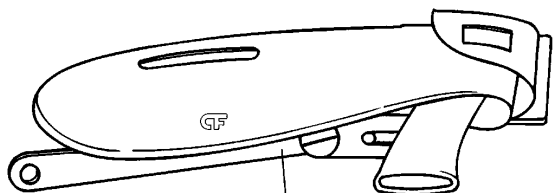
G0274

A mm.		
8+11		
12+14		
15+18		
18+22		



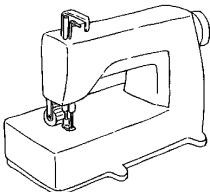
Copyright 1991 by CF ITALIA

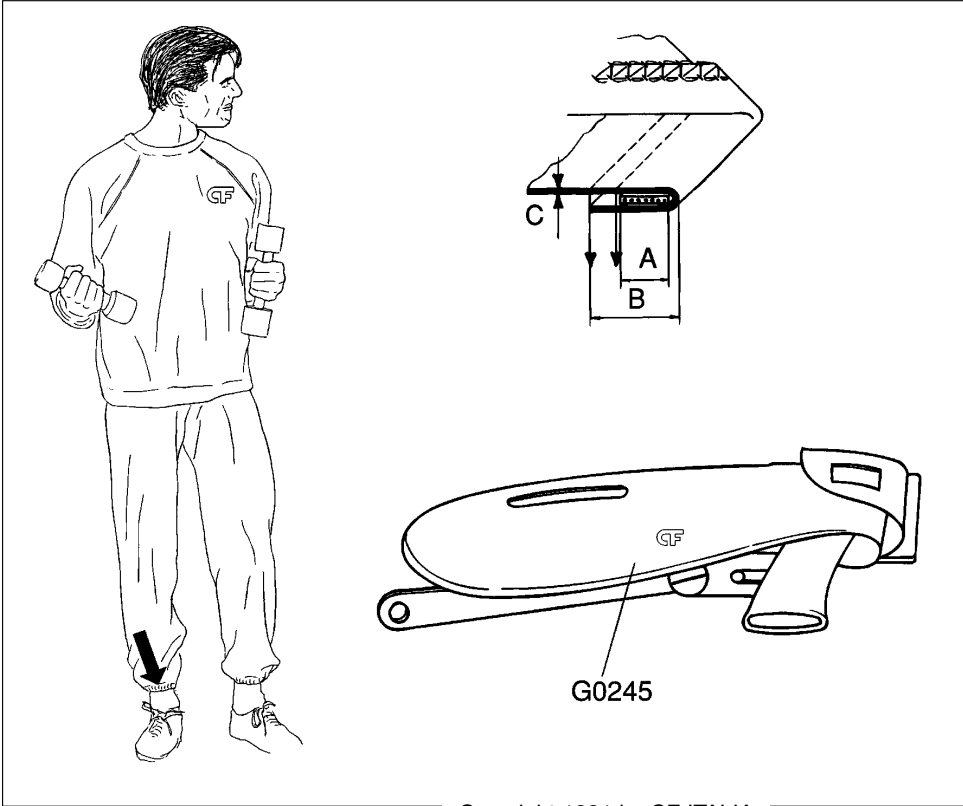


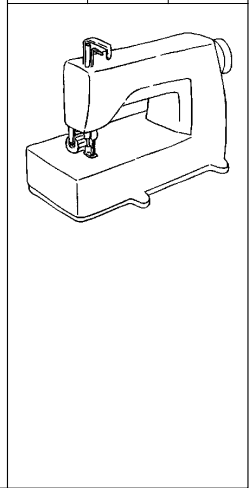
G0250

A mm.	B mm.	C
6	10	L
8	12	M
8	14	M-H
12	16	M-H
16	20	M-H

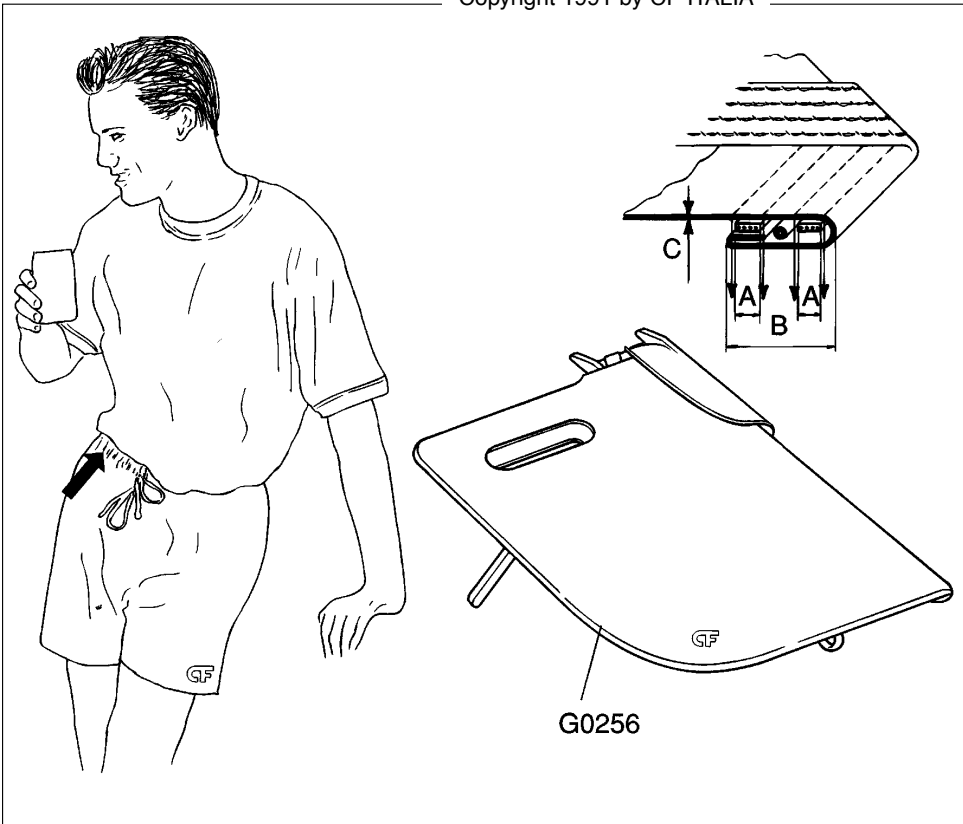




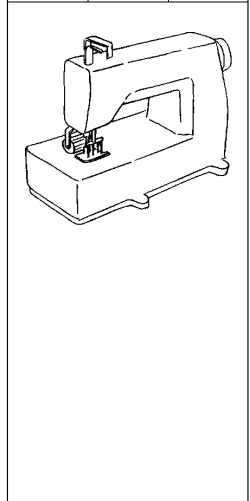
A mm.	B mm.	C
6	10	L
6	11	M
6	13	H
8+12	16	M-H
12+16	20	M-H
18+23	27	M-H




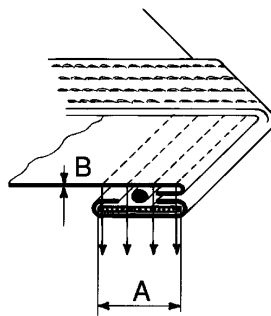
Copyright 1991 by CF ITALIA



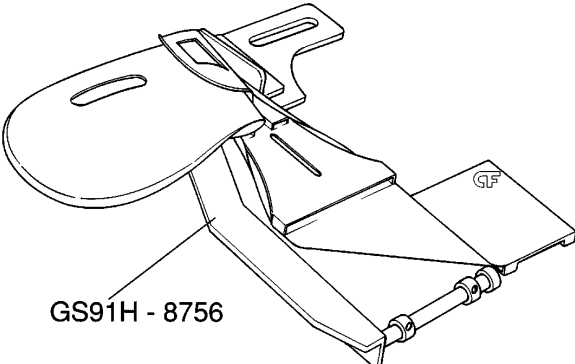
A mm.	B mm.	C
7	30	M



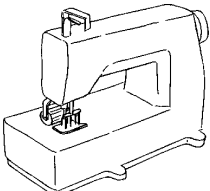





A mm.	B
25	M
30	M
35	M

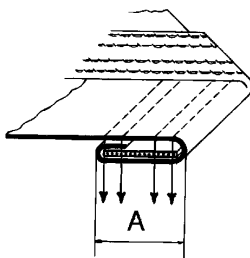


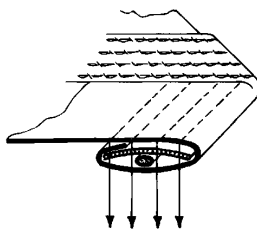
GS91H - 8756



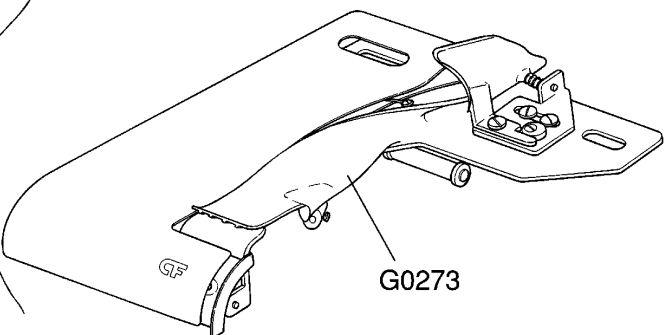
Copyright 1991 by CF ITALIA



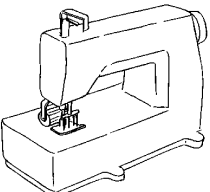


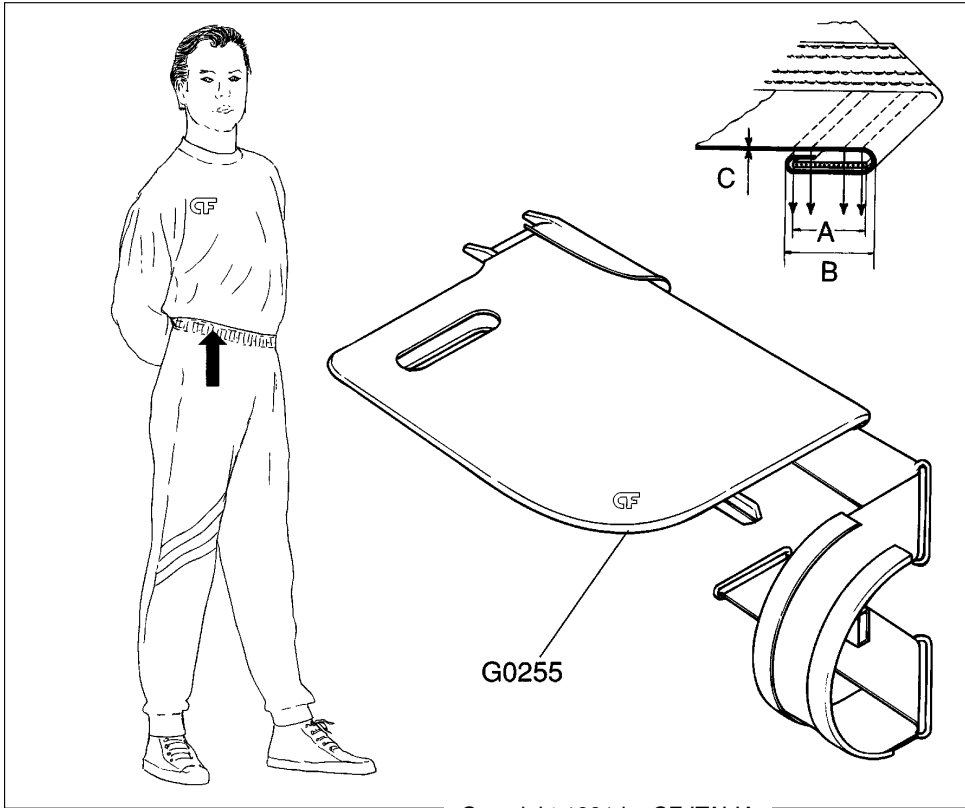


A mm.
22+26
28+32
31+35
34+38
41+45

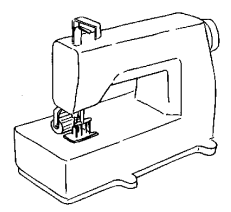


G0273

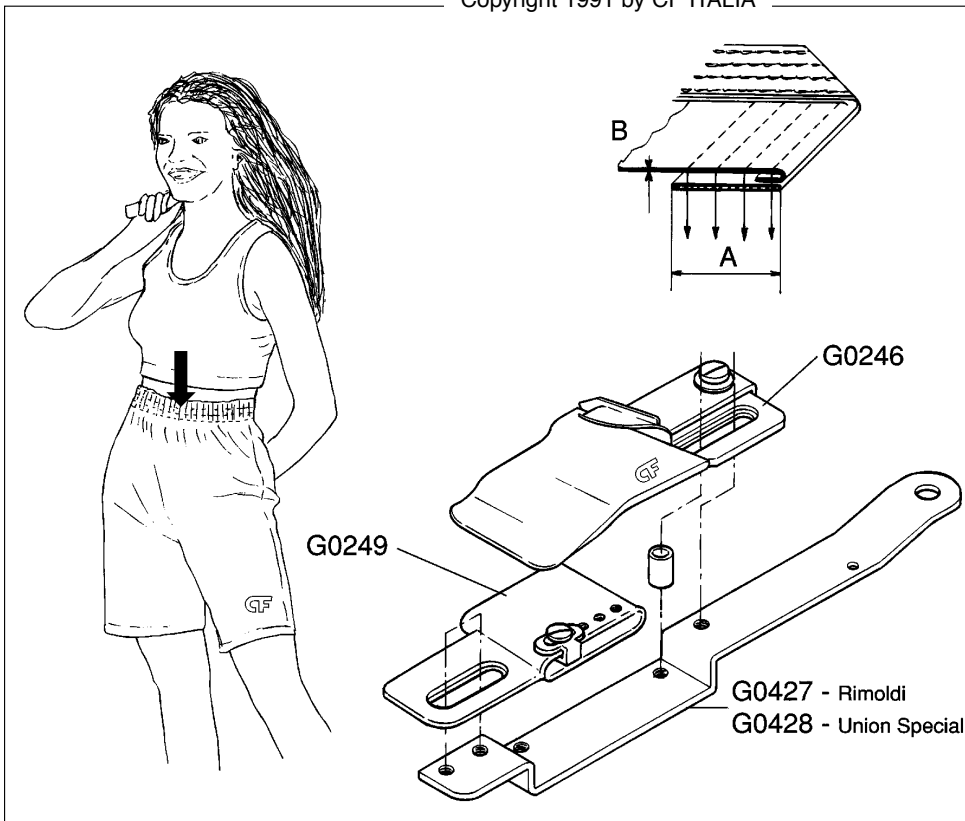




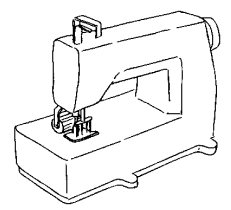
A mm.	B mm.	C
23	25	M
28	30	M
31	33	M
34	36	M
40	42	M
25	30	H
31	33	H
34	36	H

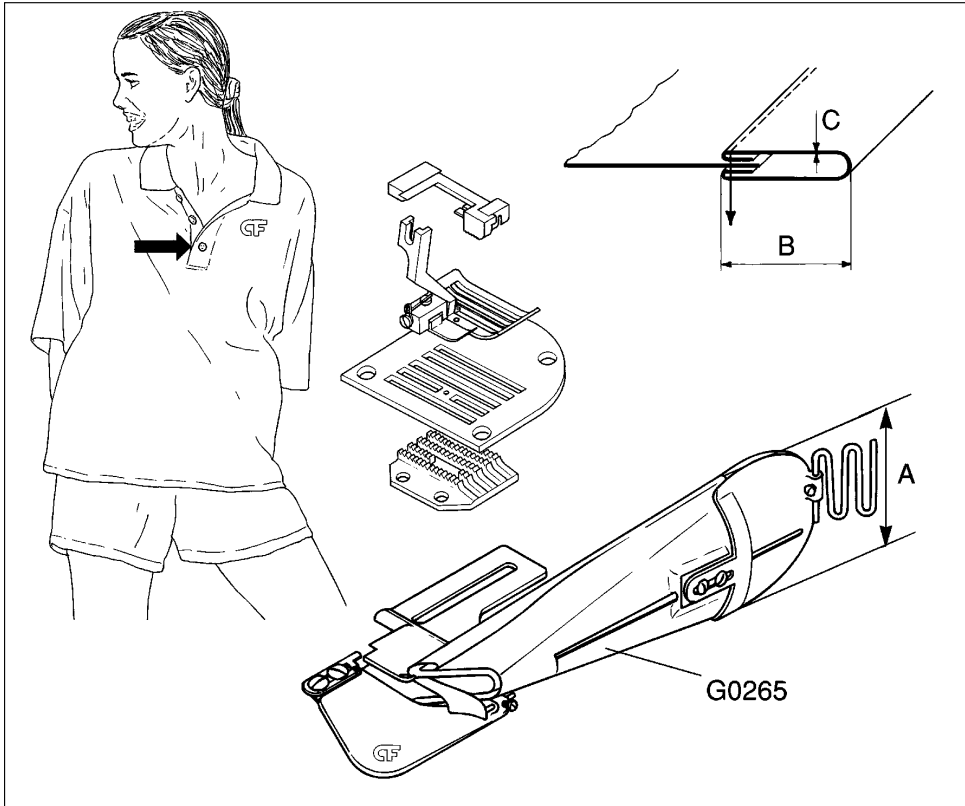


Copyright 1991 by CF ITALIA



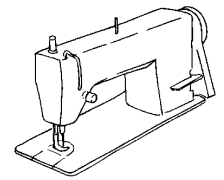
A mm.	B	
10+35	M	





A	B	C
mm.	mm.	
55	20	L-M
70	25	L-M-H
80	30	L-M-H
90	35	L-M-H
100	40	L-M-H

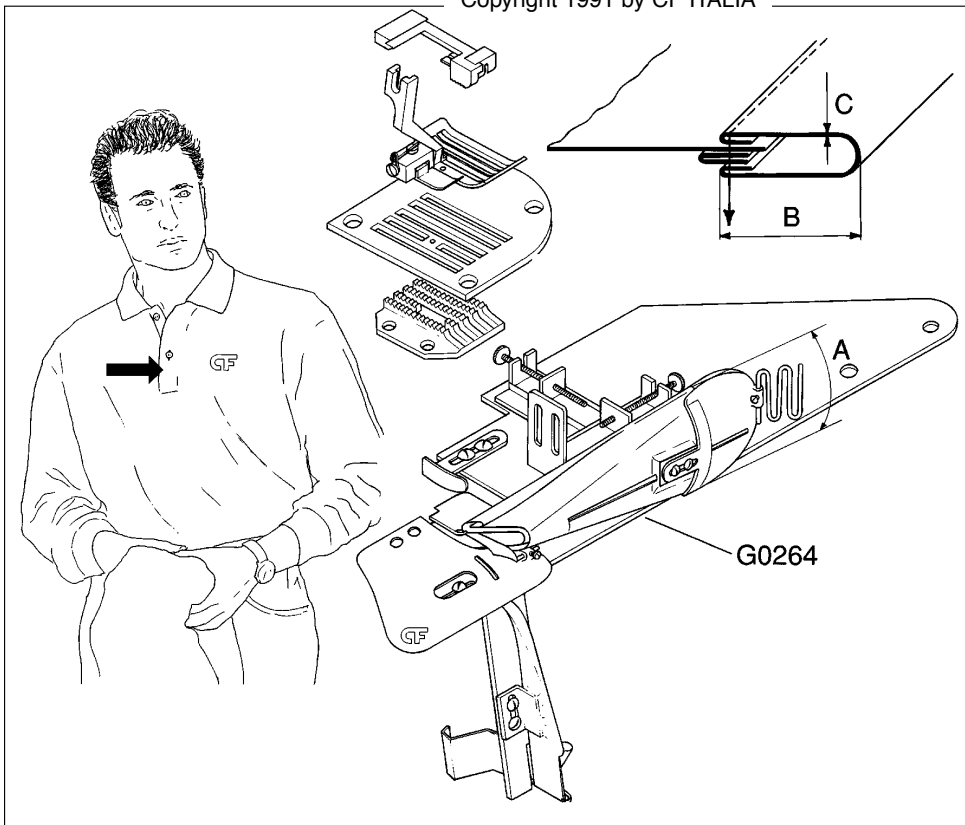
**UNITA' COMPLETA**  
CF 1900 \*  
CF 1905 \*



Pfaff 487  
Brother 774  
Juki DLU 5494  
Durkopp 219

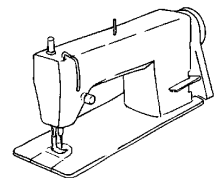


Copyright 1991 by CF ITALIA



A	B	C
mm.	mm.	
80	30	M

**UNITA' COMPLETA**  
CF 2000 \*  
CF 2005 \*

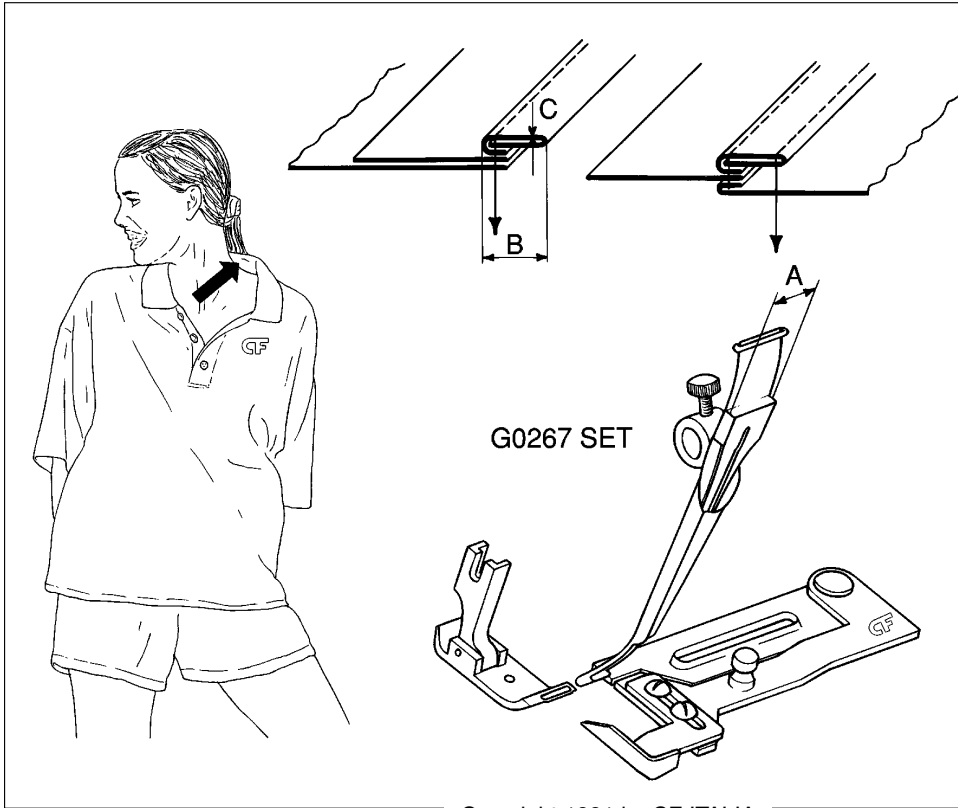


Pfaff 487  
Brother 774  
Juki DLU 5494  
Durkopp 219



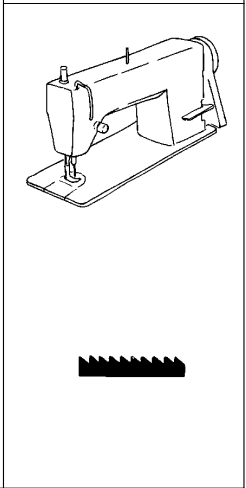
\* Refer to catalogue "UNITA' COMPLETE"



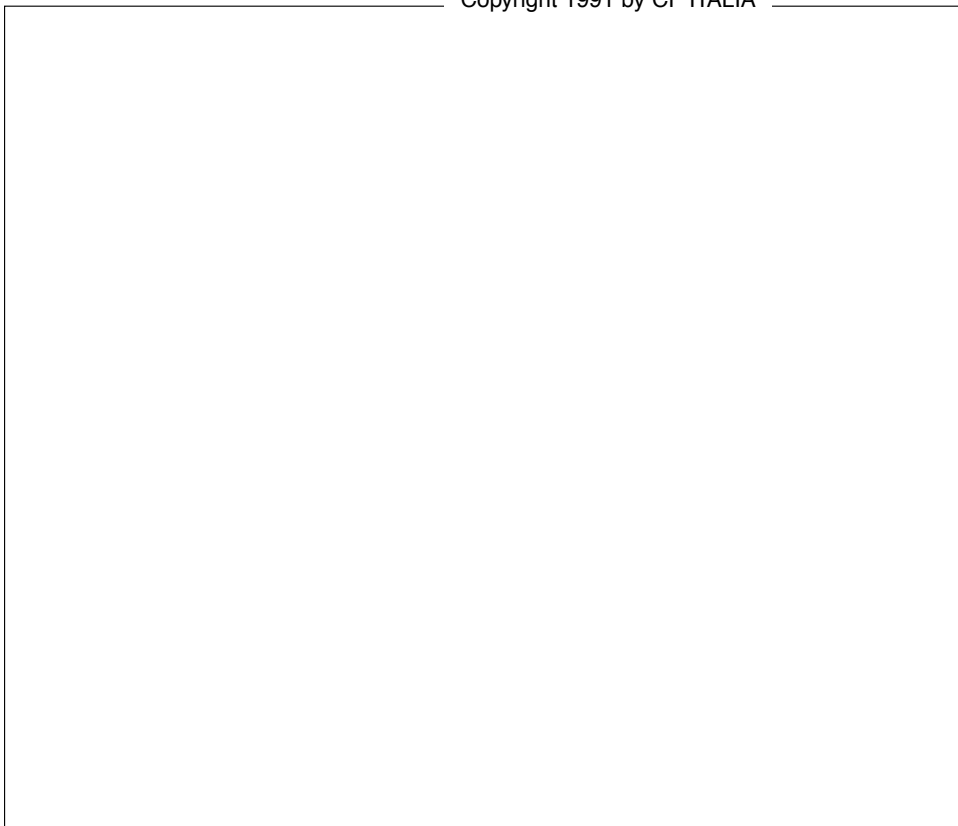


A mm.	B mm.	A
22	9	L
22	9	M
28	12	M
28	12	H

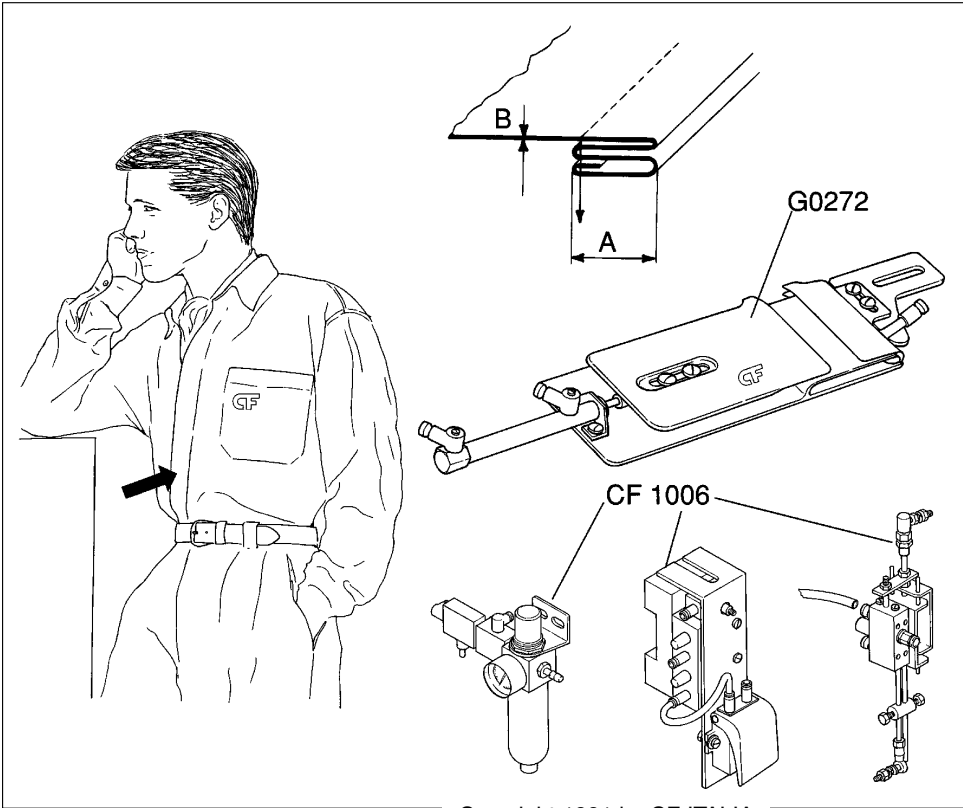
UNITA' COMPLETA  
CF 3200 \*



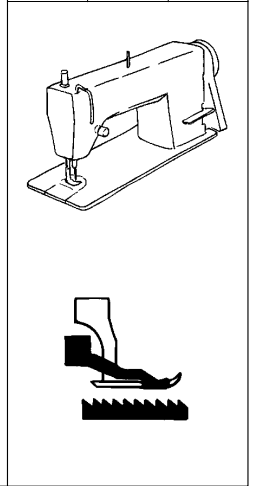
Copyright 1991 by CF ITALIA



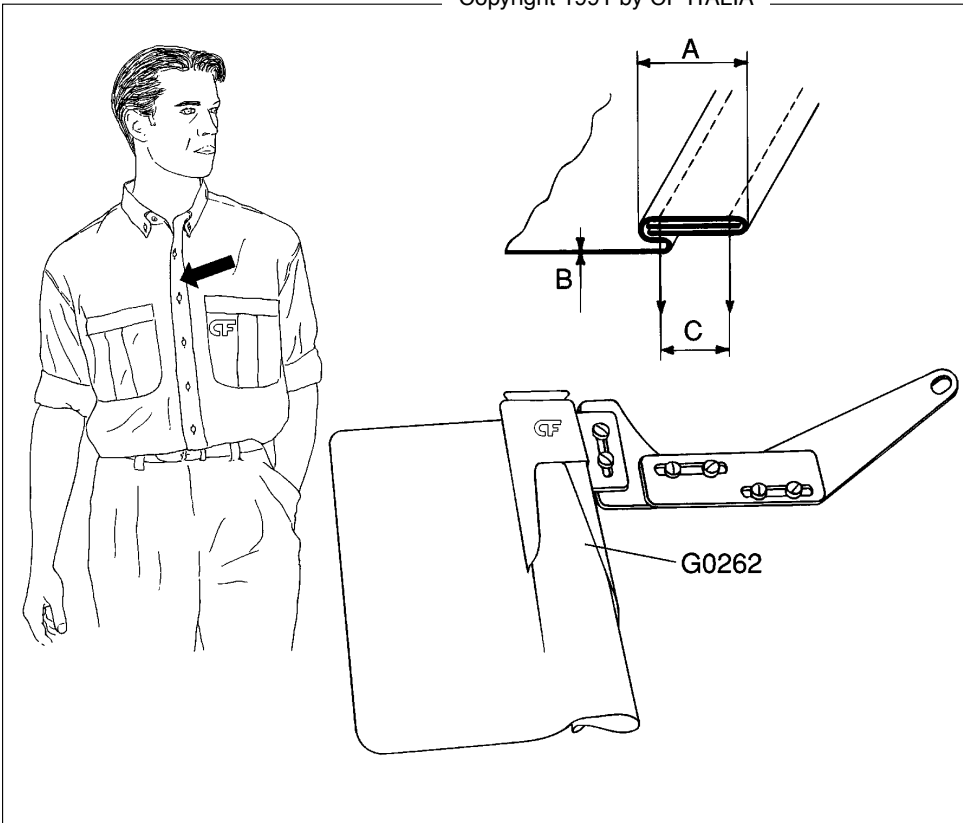

\* Refer to catalogue "UNITA' COMPLETE"



A mm.	B	
30	L	



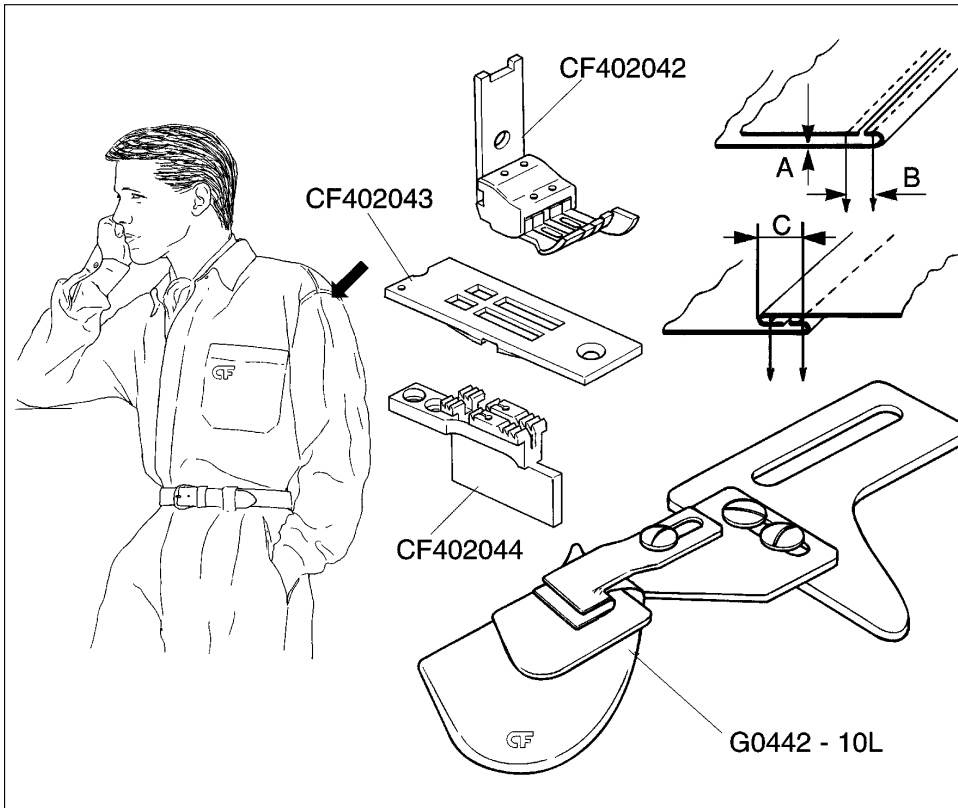
Copyright 1991 by CF ITALIA



A mm.	B	C mm.
25	L	16
25	M-H	16
30	L	20
30	M-H	20
35	L	24
35	M-H	24

UNITA' COMPLETA  
CF 3000 \*

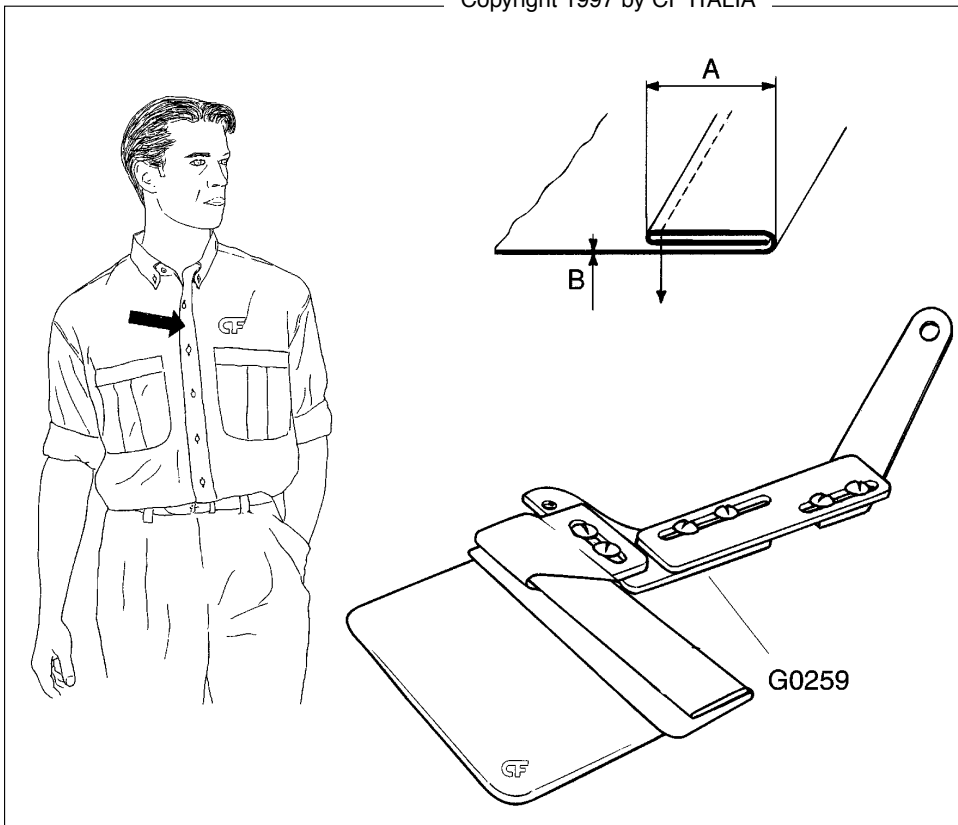
\* Refer to catalogue "UNITA' COMPLETE"



A	B	C
	mm.	mm.
L	9,5	10

**UNITÀ COMPLETA CF 3050**

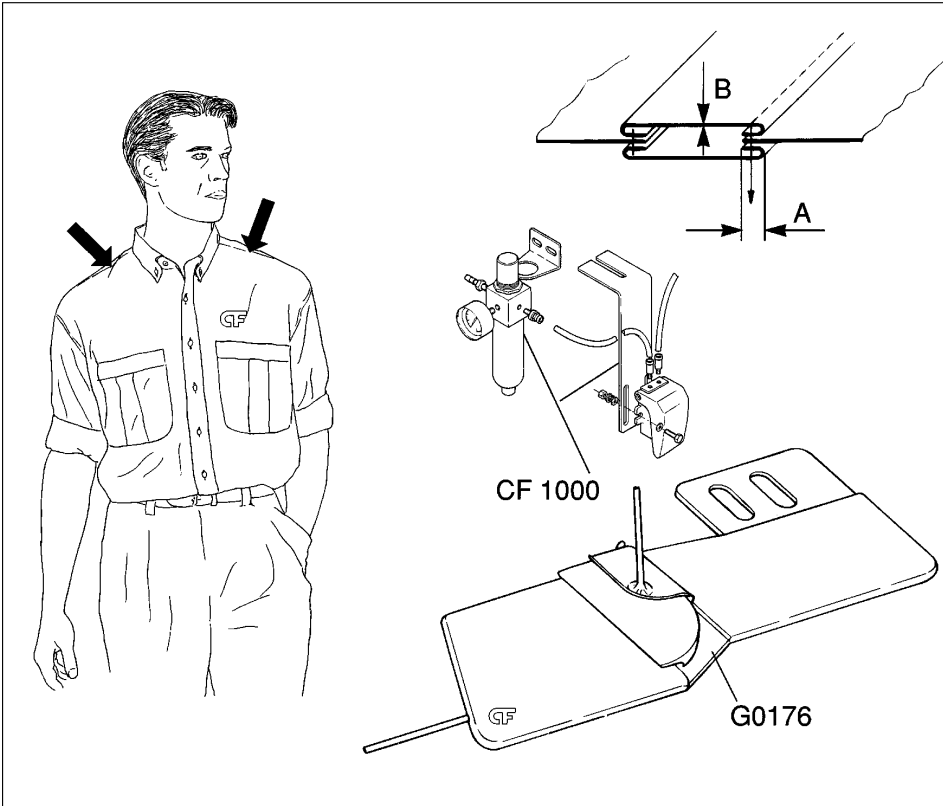
Copyright 1997 by CF ITALIA



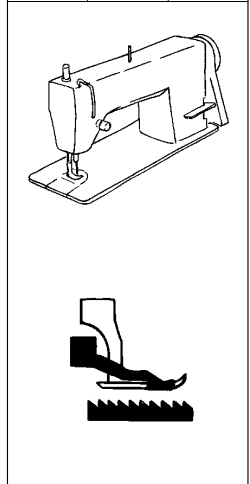
A	B	
mm.		
25	L	
25	M	
30	L	
30	M	
35	L	
35	M	

**UNITÀ COMPLETA CF 3100 \***

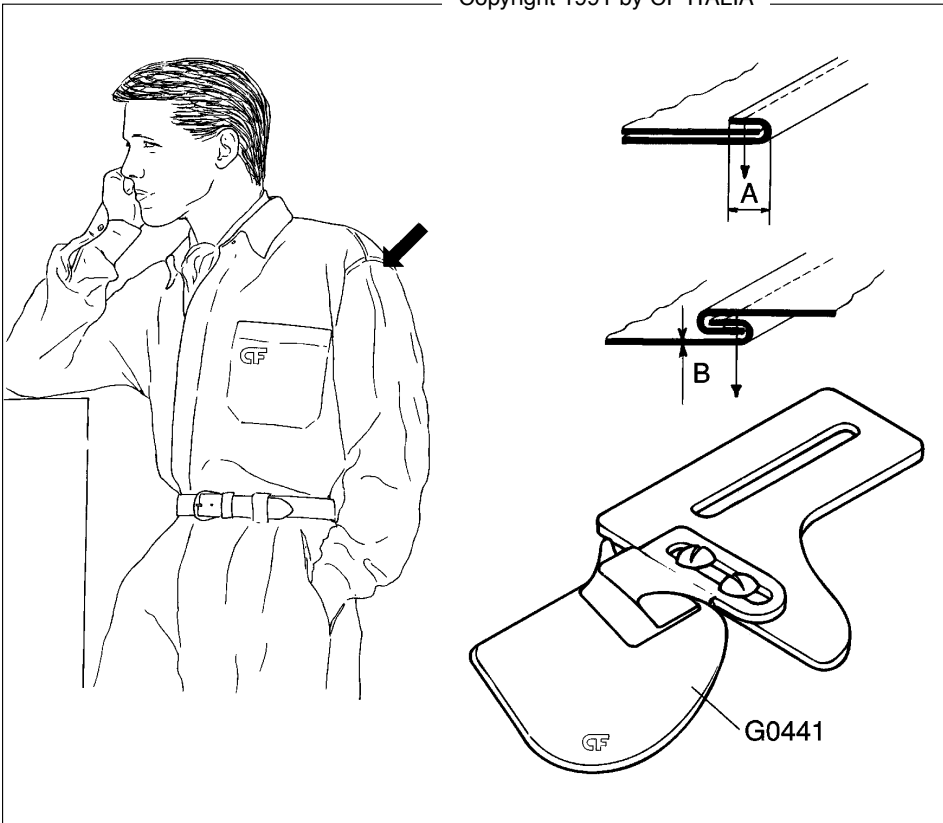
\* Refer to catalogue "UNITA' COMPLETE"



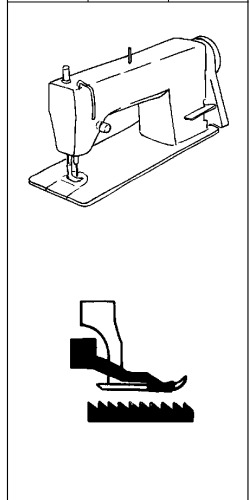
A mm.	B	
10	L	

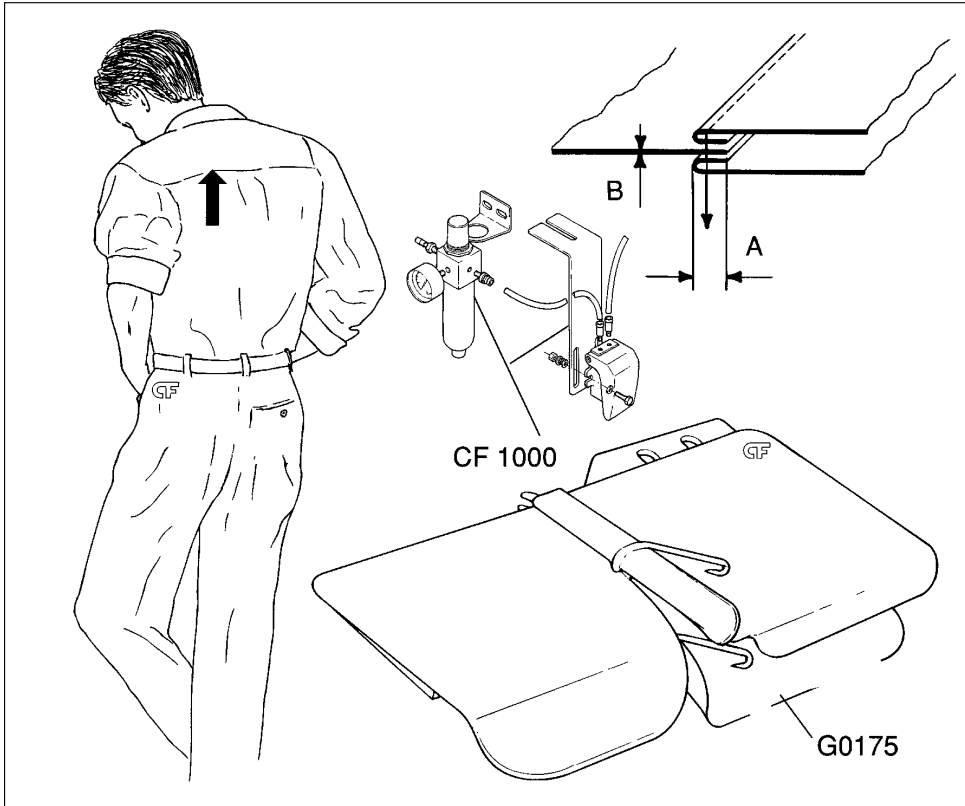


Copyright 1991 by CF ITALIA

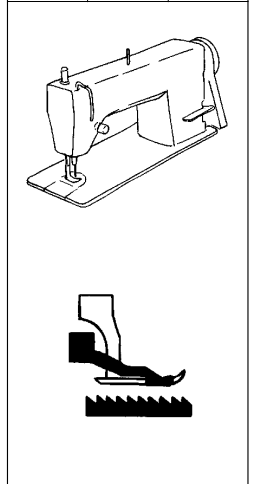


A mm.	B	
7	L	
7	M	
10	L	
10	M	
13	L	
13	M	

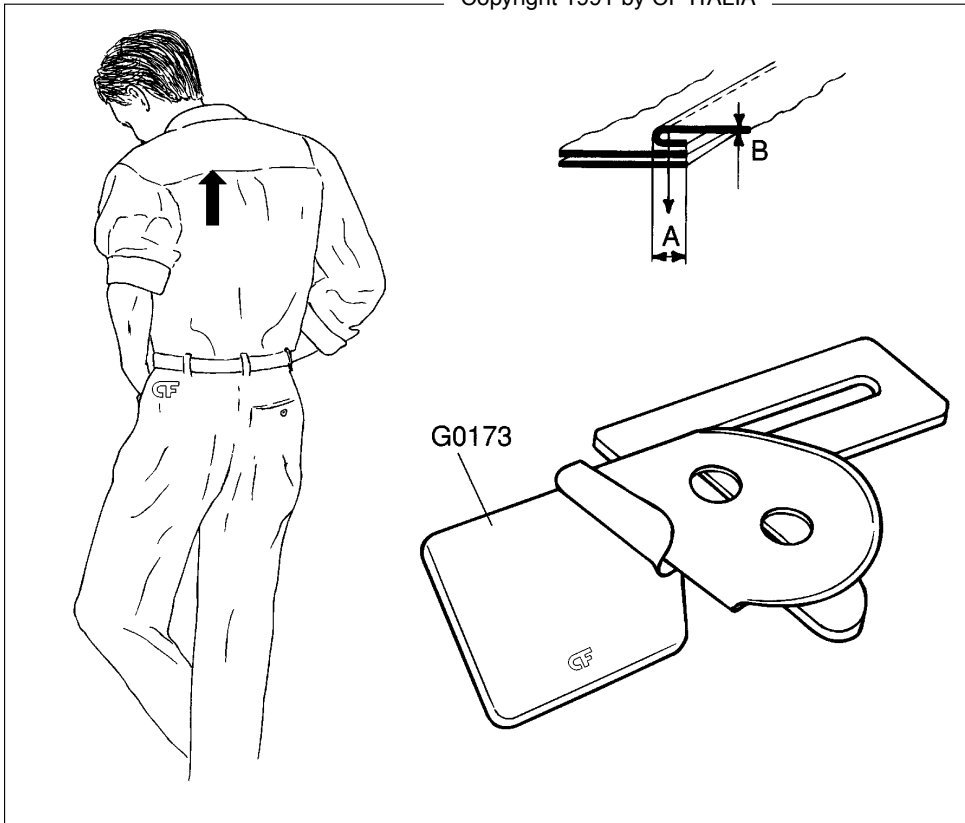




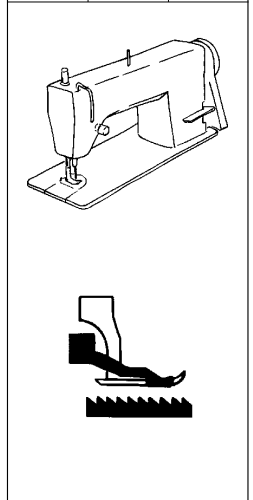
A mm.	B	
10	L	

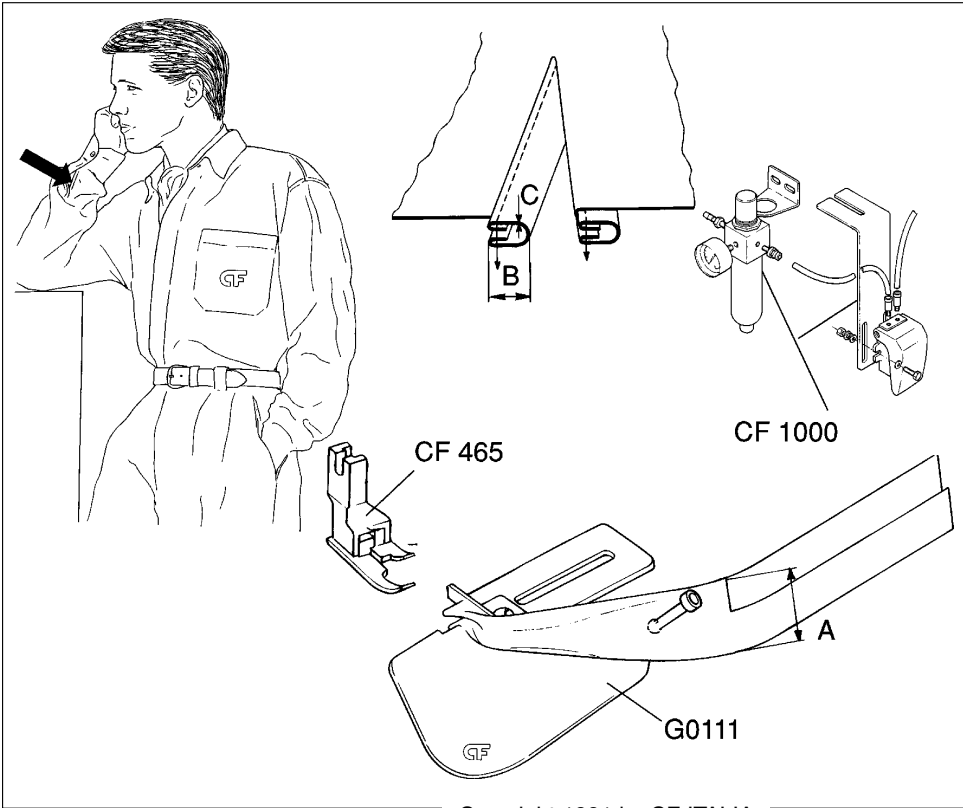


Copyright 1991 by CF ITALIA

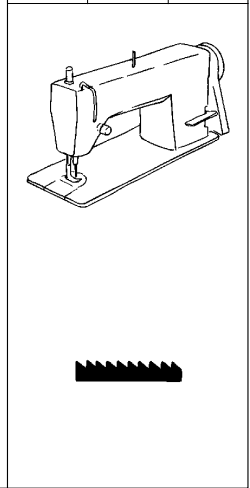


A mm.	B	
7	L	
7	M	
10	L	
10	M	
12	M	
12	H	

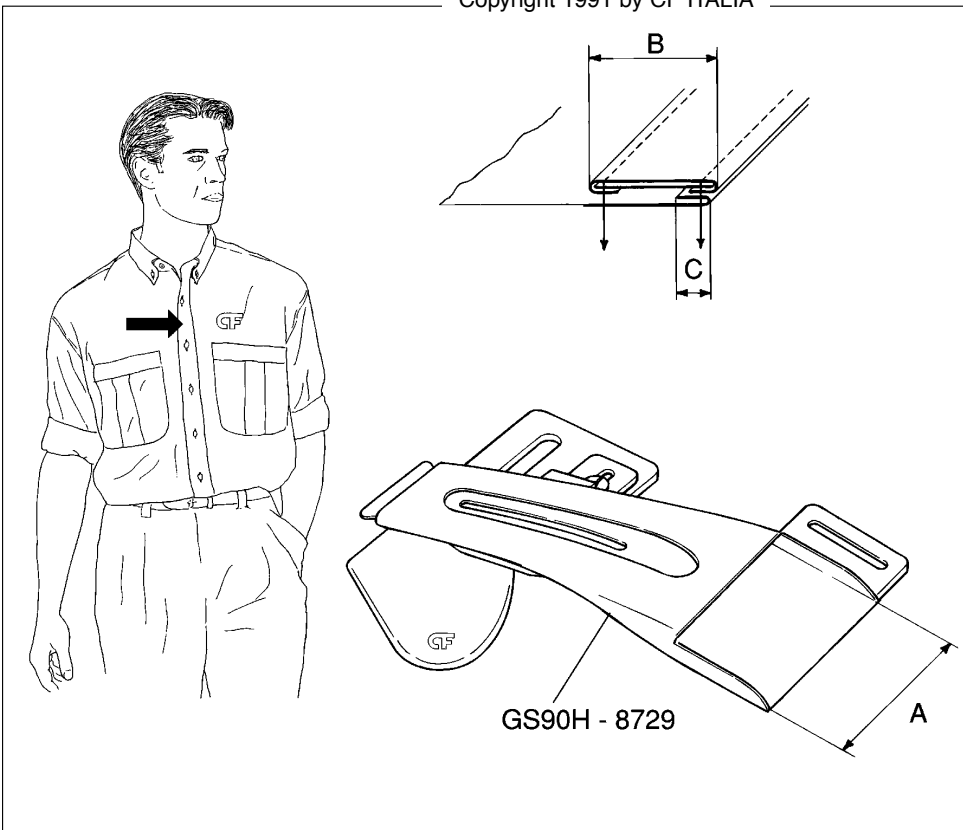




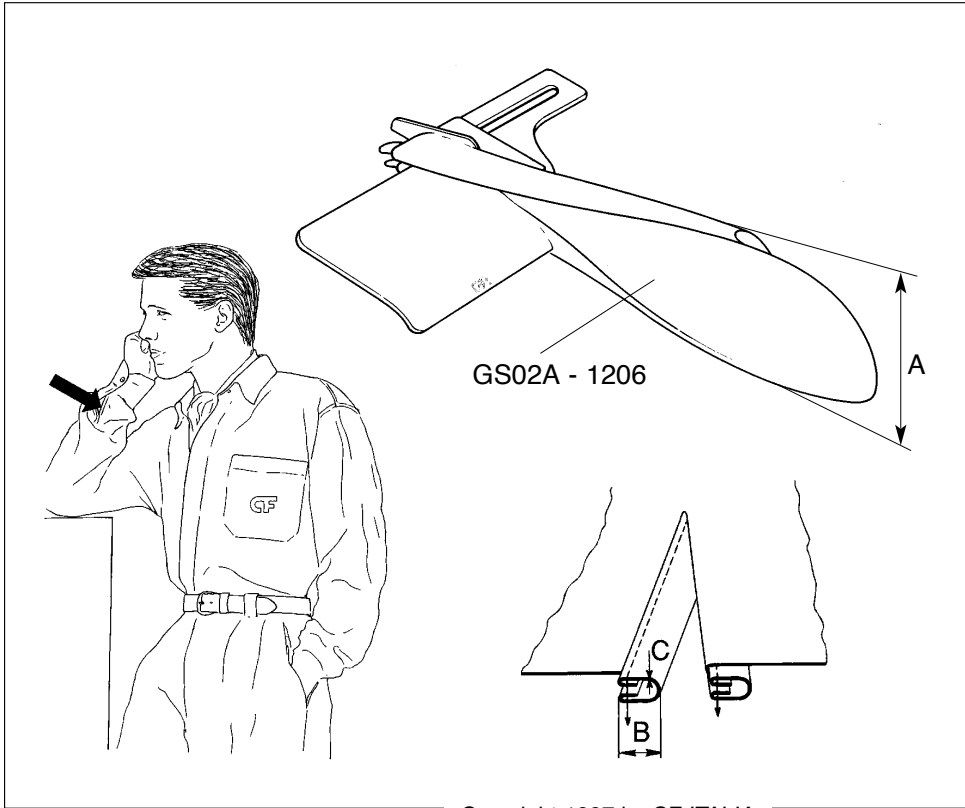
A mm.	B mm.	C
32	10	L
36	12	L
40	14	L



Copyright 1991 by CF ITALIA

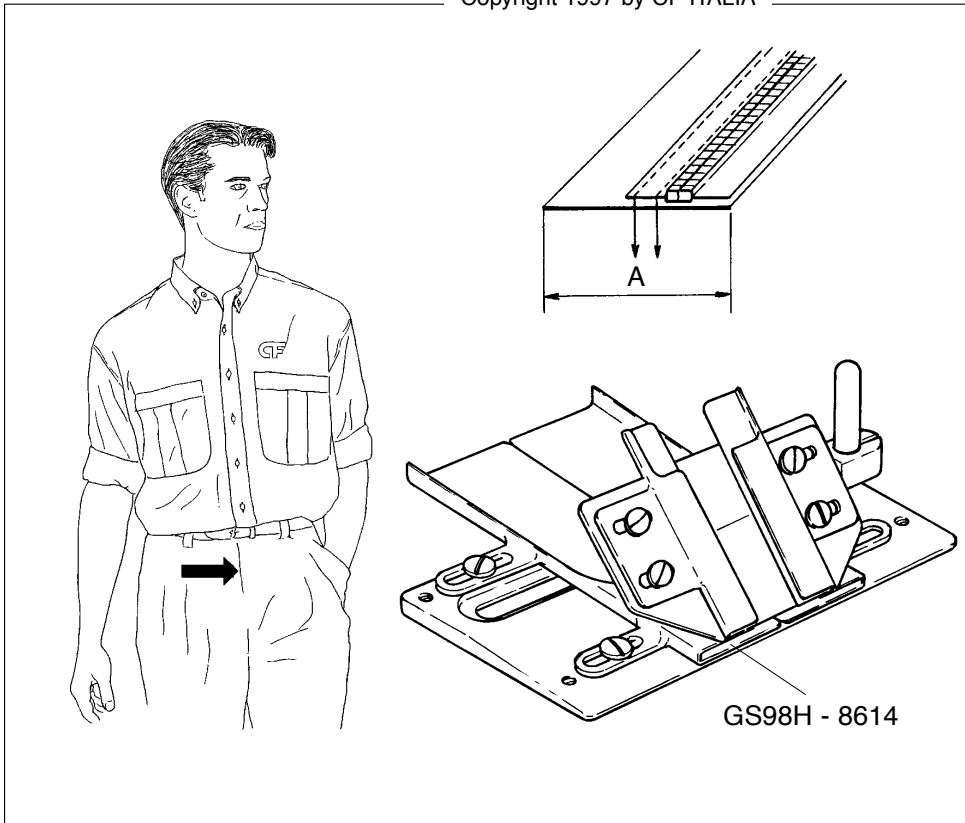


A mm.	B mm.	C mm.
50	30	10
55	35	10
60	40	10

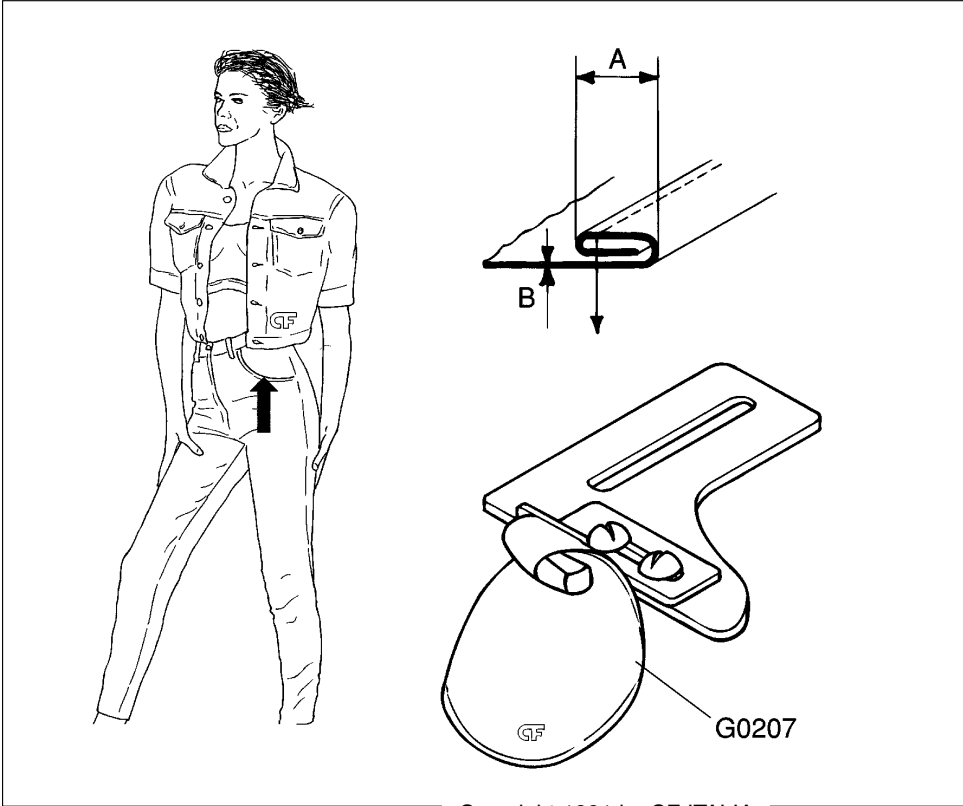


A mm.	B mm.	C
35	10	L
40	12	L
45	15	L
55	20	L

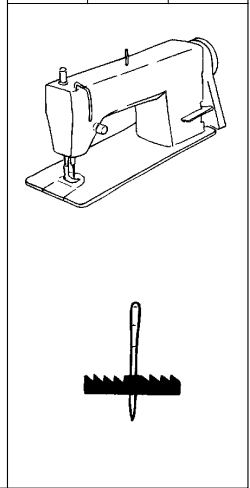
Copyright 1997 by CF ITALIA



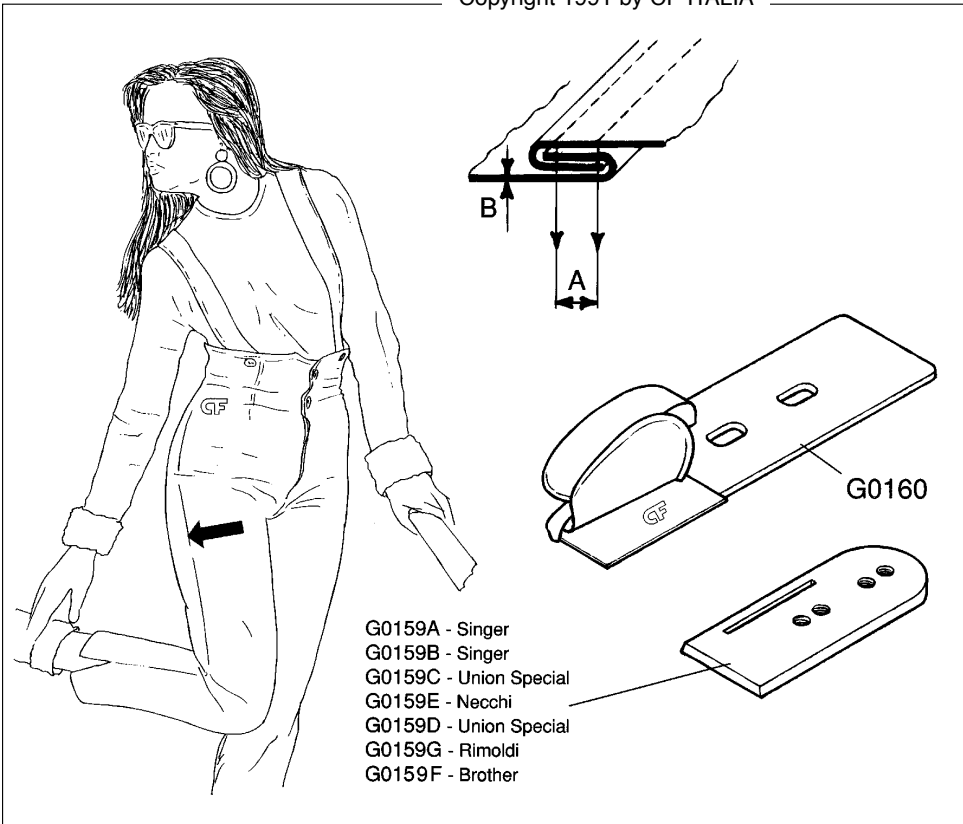
A mm.		
50÷70		



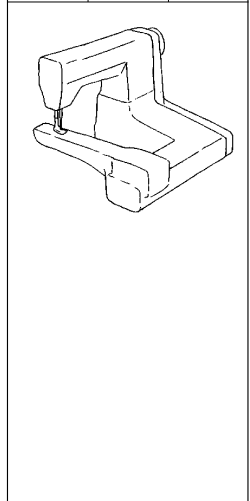
A mm.	B
10 12	H H



Copyright 1991 by CF ITALIA

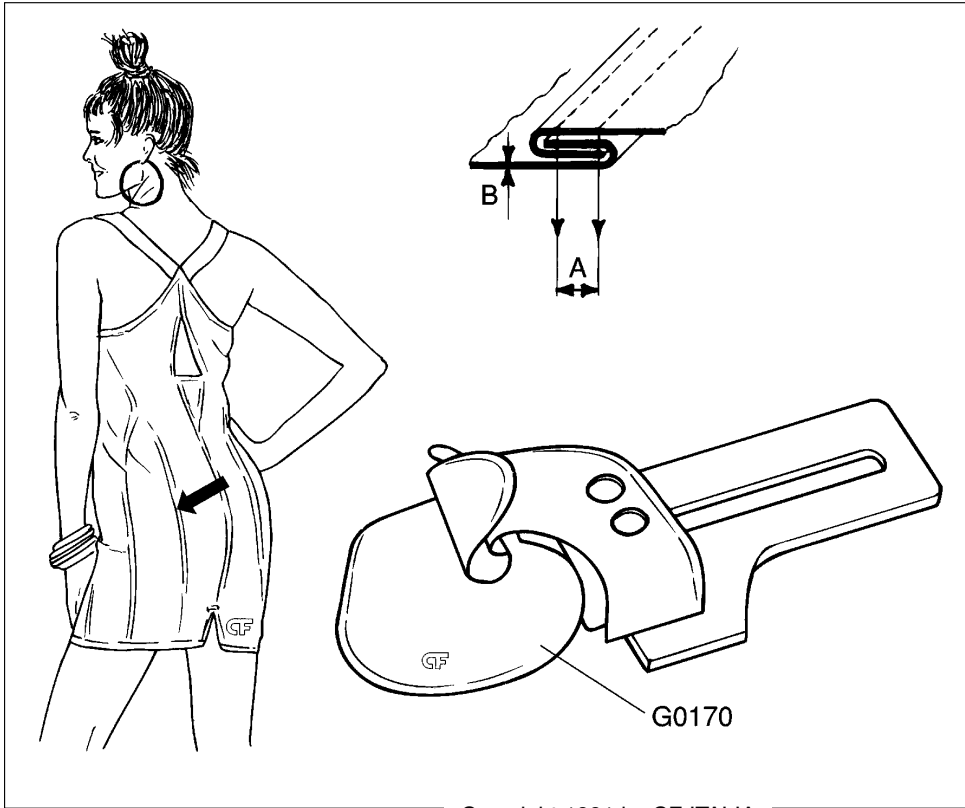


A mm.	B
4,8	L
4,8	M
4,8	MH
4,8	H
6,4	L
6,4	M
6,4	MH
6,4	H
6,4	HX

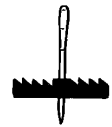
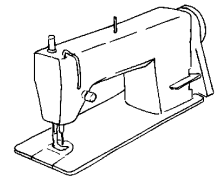


- G0159A - Singer
- G0159B - Singer
- G0159C - Union Special
- G0159E - Necchi
- G0159D - Union Special
- G0159G - Rimoldi
- G0159F - Brother

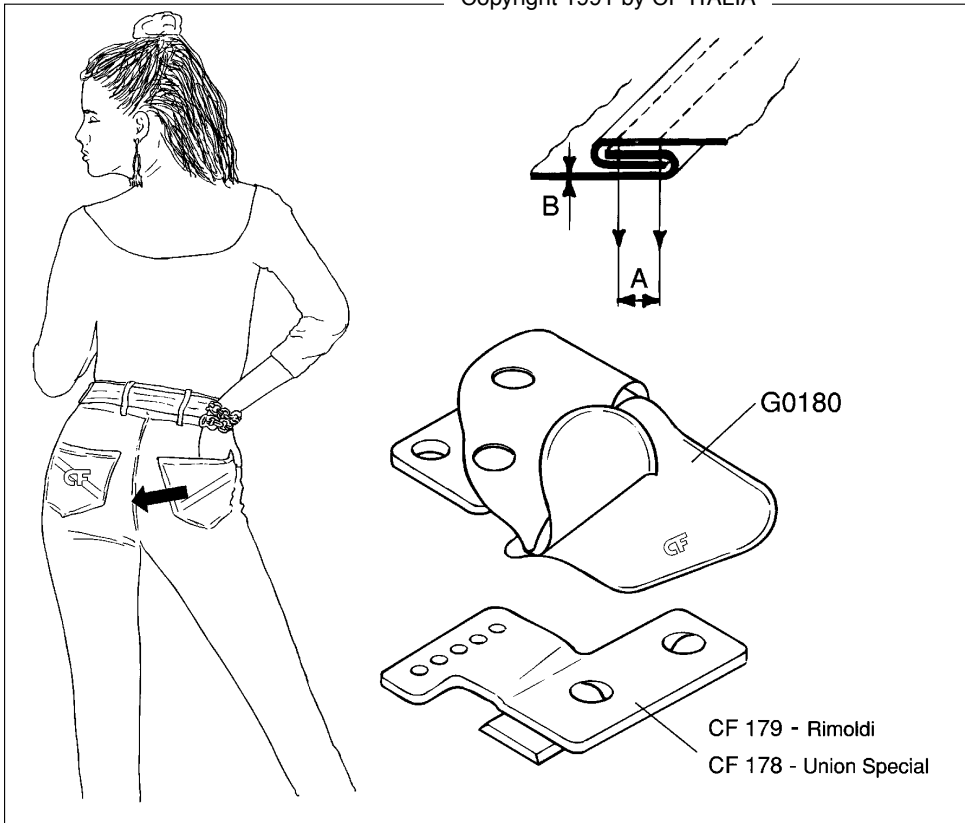




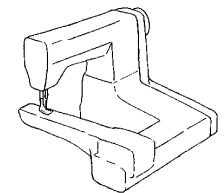
A mm.	B	
4,8	L	
4,8	M	
4,8	MH	
4,8	H	
6,4	L	
6,4	M	
6,4	MH	
6,4	H	
6,4	HX	



Copyright 1991 by CF ITALIA

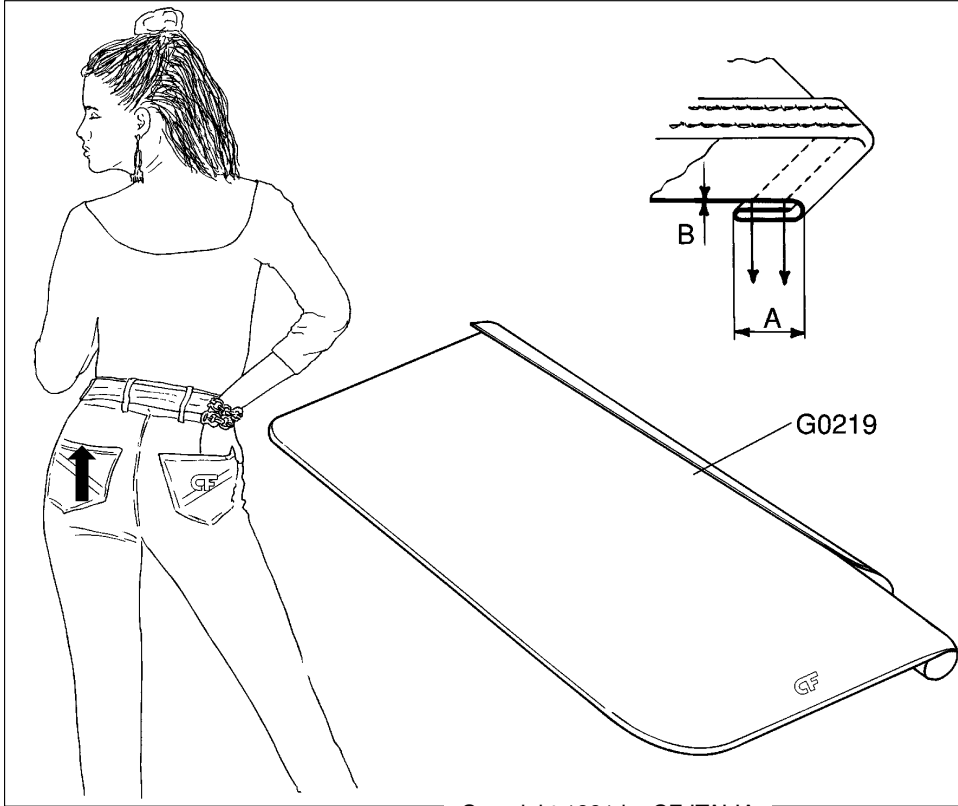


A mm.	B	
4,8	L	
4,8	M	
4,8	MH	
4,8	H	
6,4	L	
6,4	M	
6,4	MH	
6,4	H	
6,4	HX	

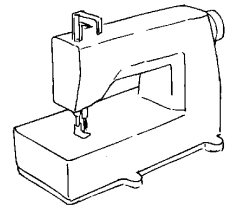


Rimoldi 184  
Union Special 35800

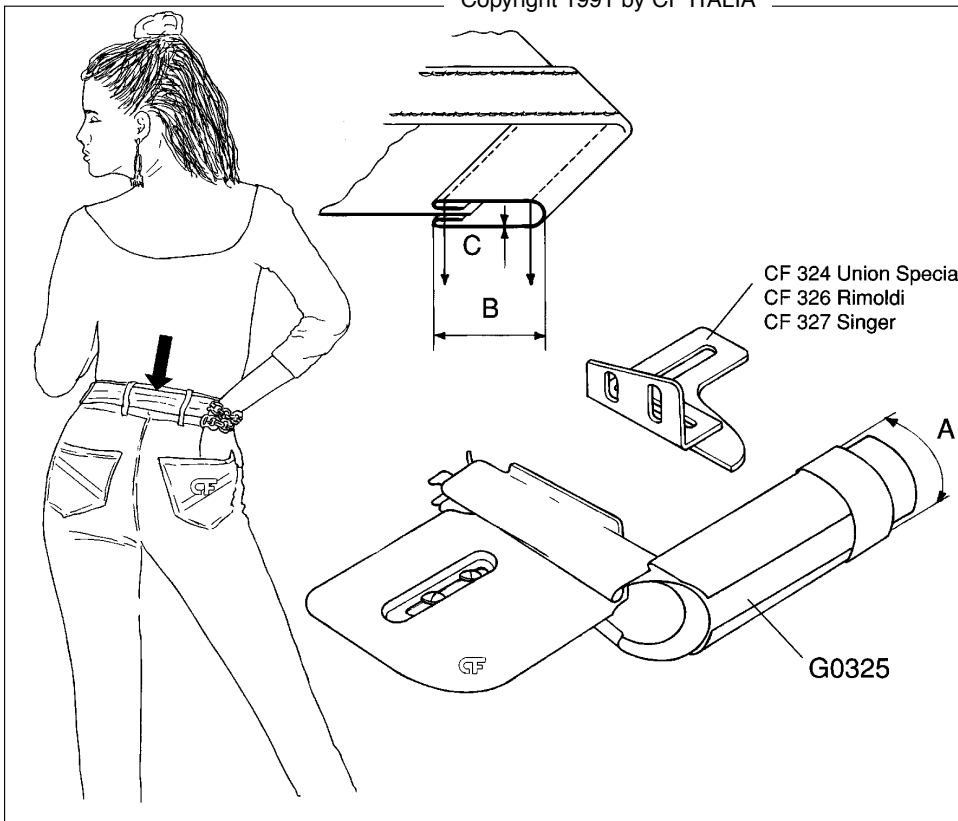
CF 179 - Rimoldi  
CF 178 - Union Special



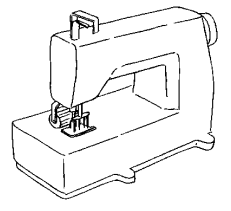
A	B	
mm.		
12	H	

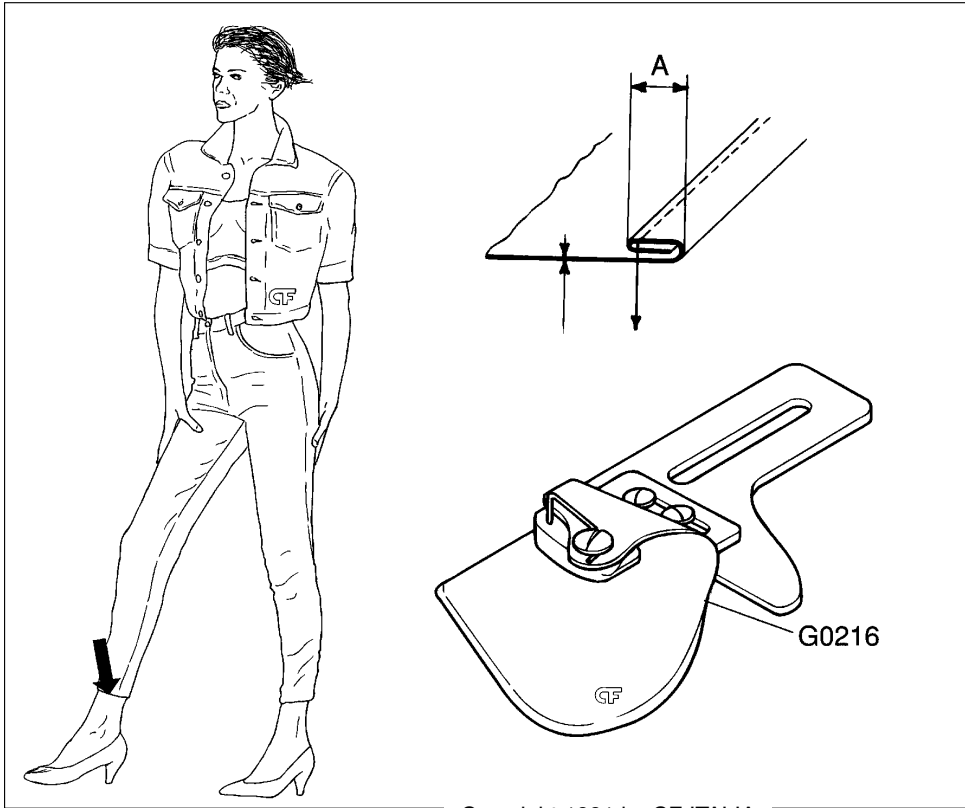


Copyright 1991 by CF ITALIA

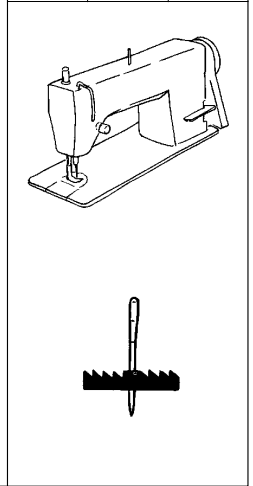


A	B	C
mm.	mm.	
80	28	L
85	32	L
85	30	M-H
90	34	L
90	33	M-H
95	36	L-M-H
100	40	L-M-H
105	43	L-M-H
110	45	L-M-H
120	50	M-H
130	55	M-H
140	60	M-H

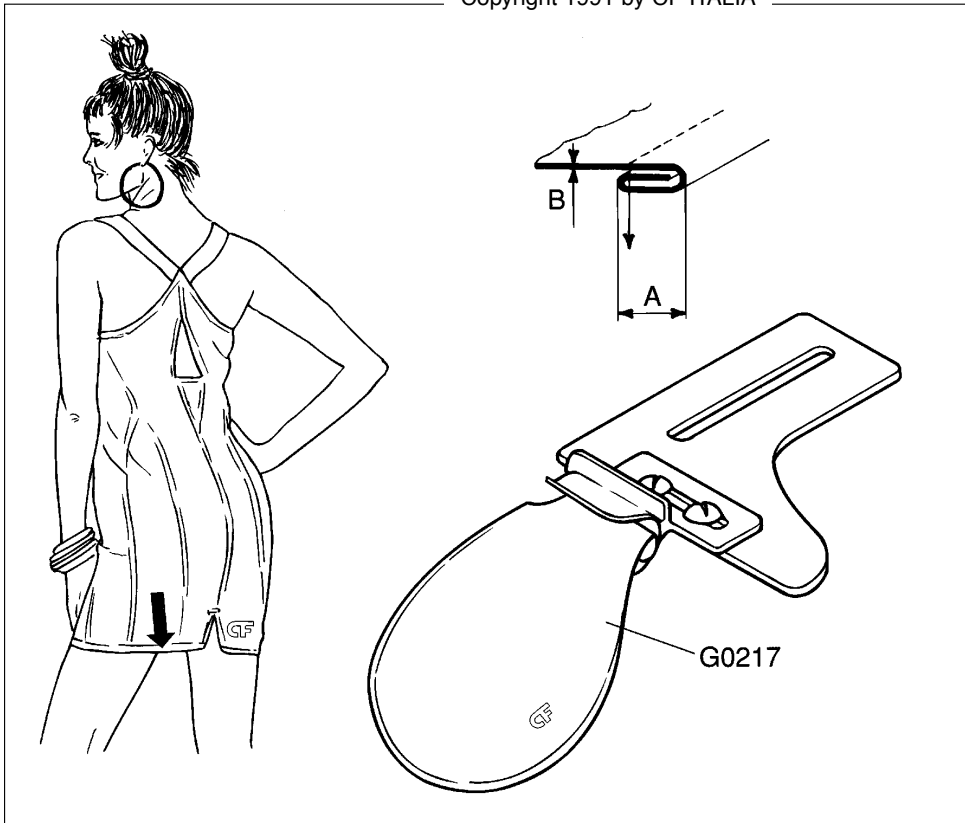




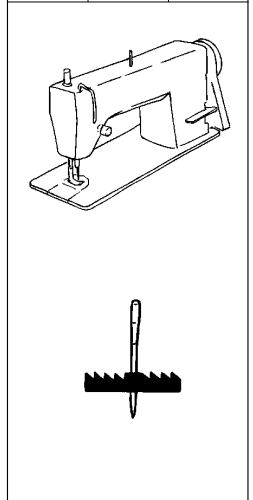
A mm.	B	
10 14	M-H M-H	



Copyright 1991 by CF ITALIA



A mm.	B	
10 12	H H	

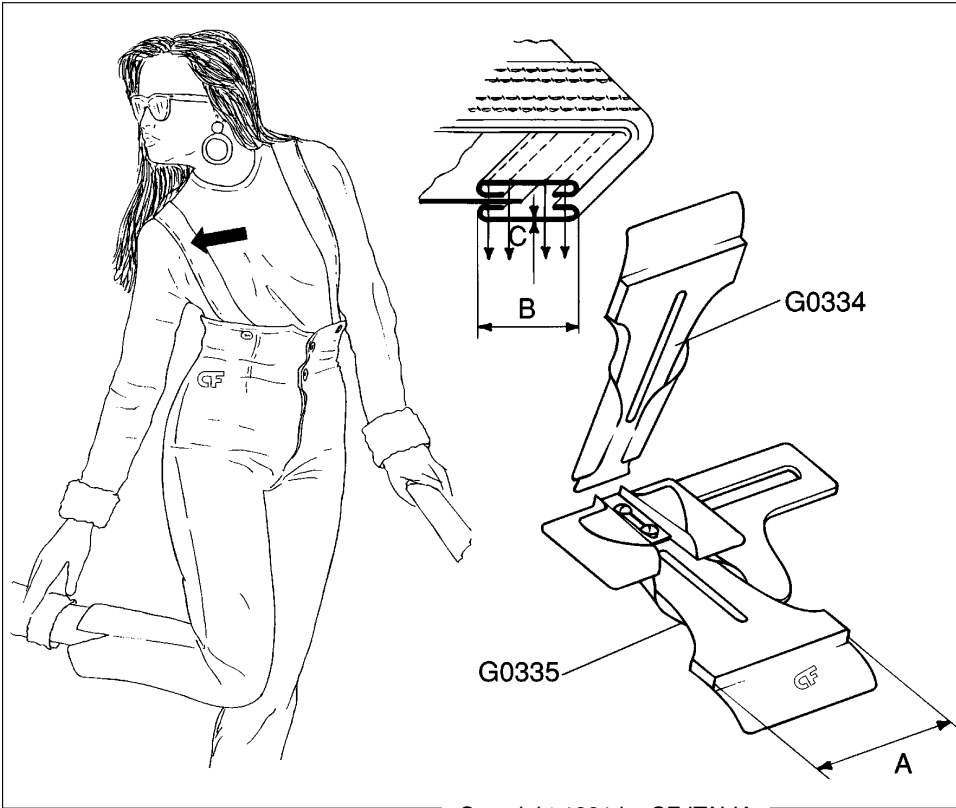


A mm.	B mm.	C mm.
20 22	10 11	10 10

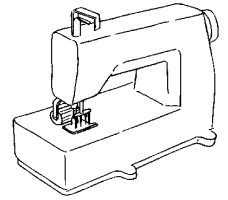
Copyright 1991 by CF ITALIA

A mm.	B mm.	C mm.
43 46	14,5 14,5	28,5 31,8

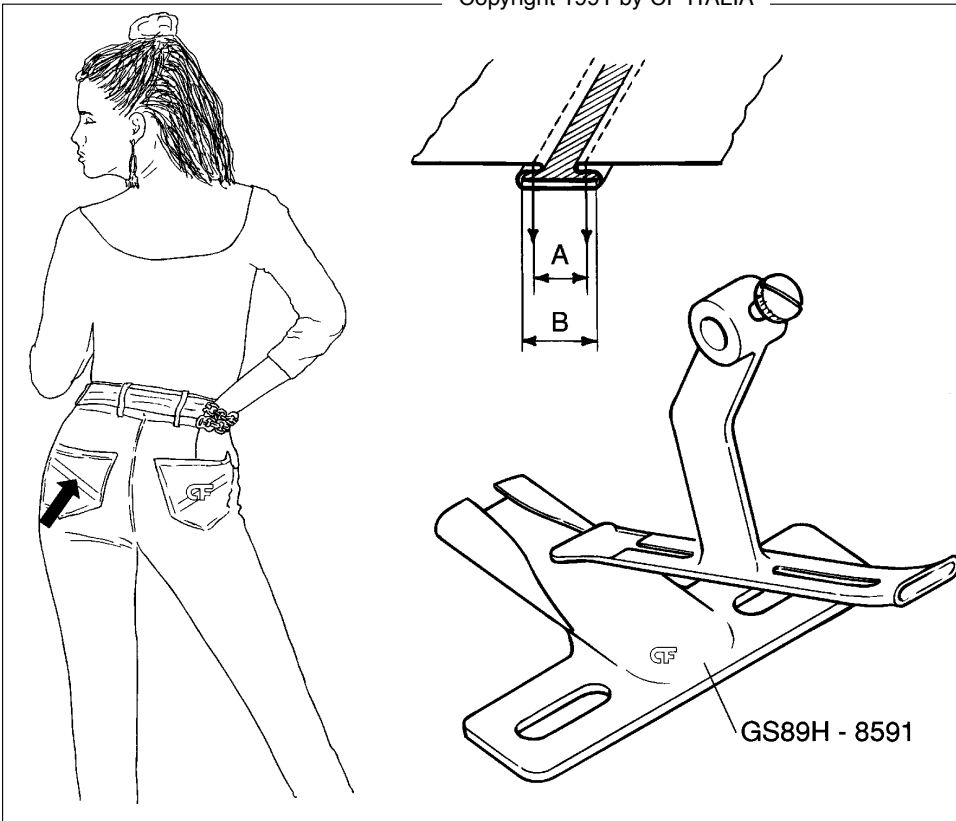
CF 324 Union Special  
CF 326 Rimoldi  
CF 327 Singer



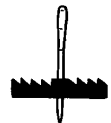
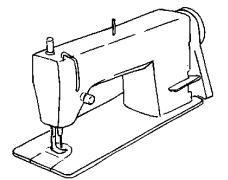
A mm.	B mm.	C
51	30	L
57	36	L
63	43	L
51	30	M-H
57	36	M-H
63	43	M-H

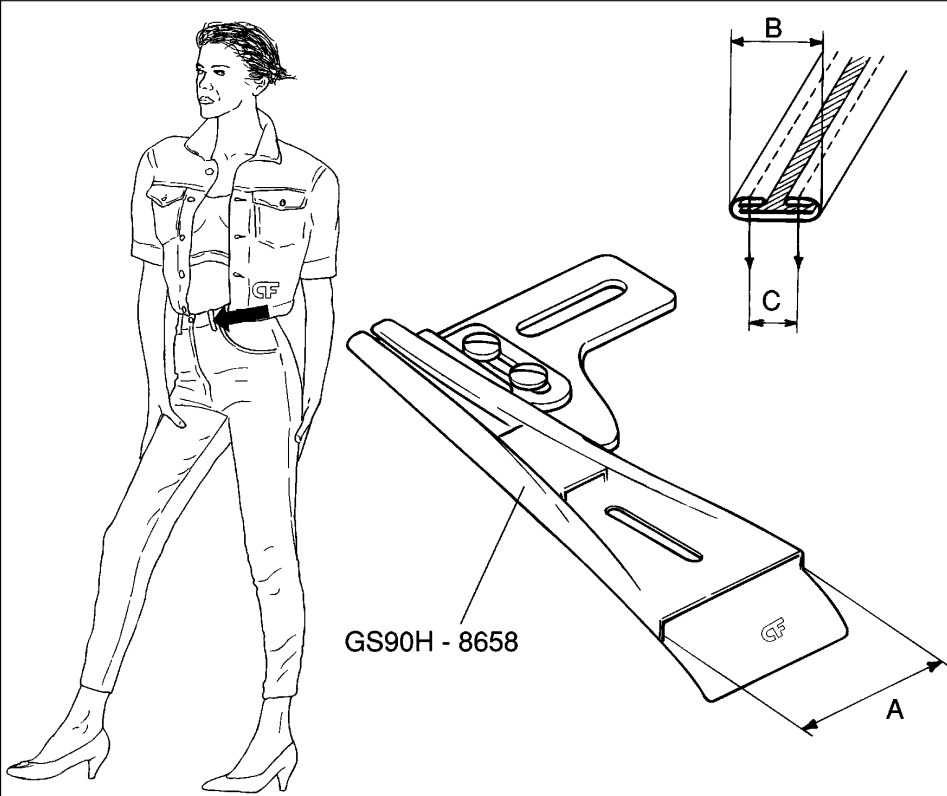


Copyright 1991 by CF ITALIA

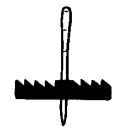
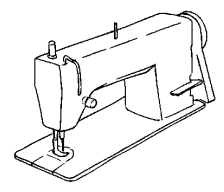


A mm.	B mm.	
10	15	
12	18	
14	22	

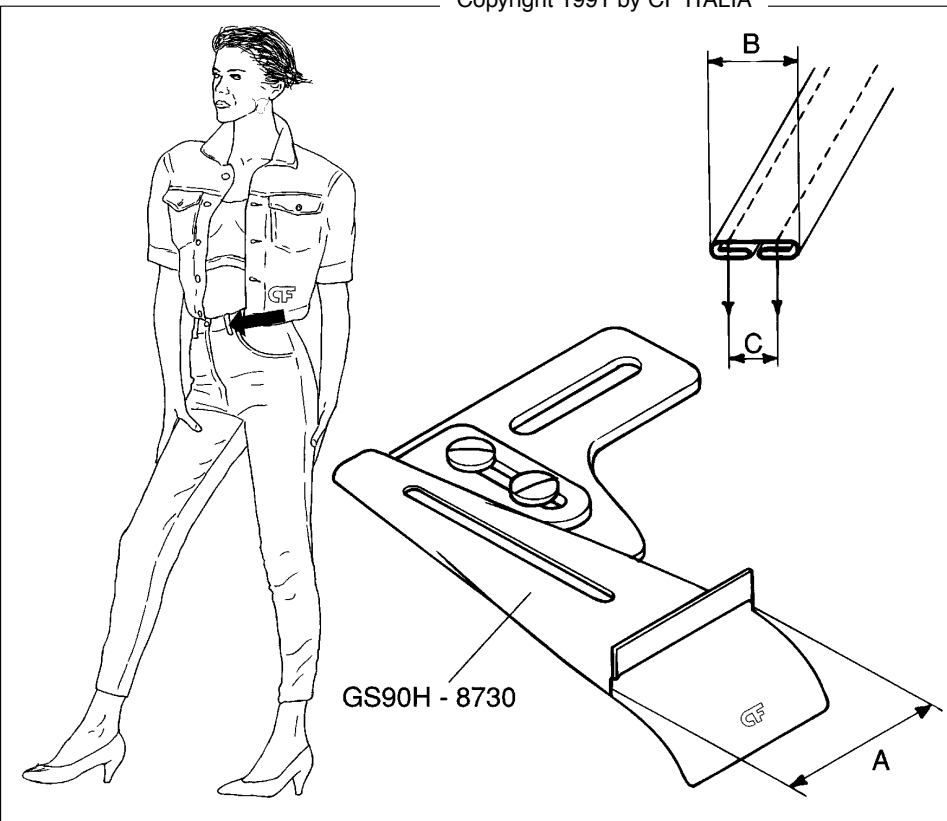




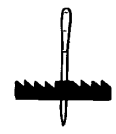
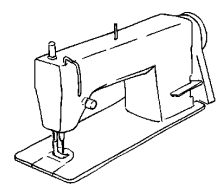
A mm.	B mm.	C mm.
37 37	14 14	6,4 7,2

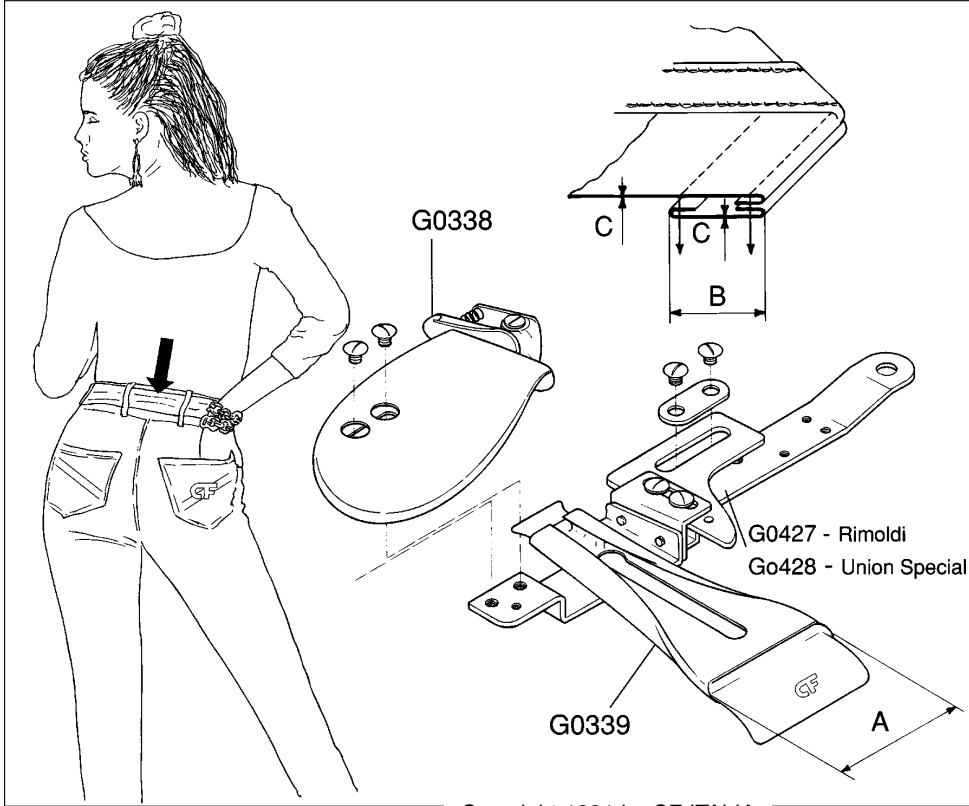


Copyright 1991 by CF ITALIA

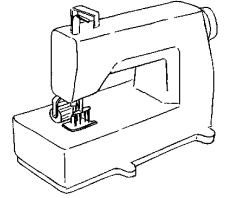


A mm.	B mm.	C mm.
30 30	11 11	6,4 7,2

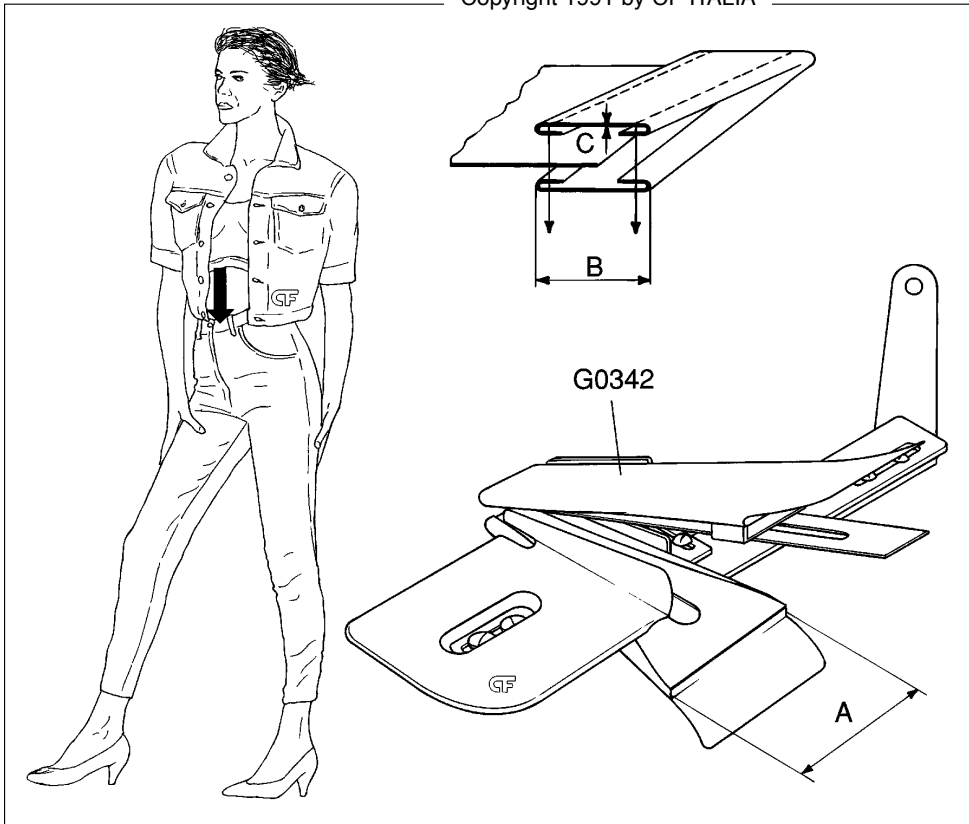




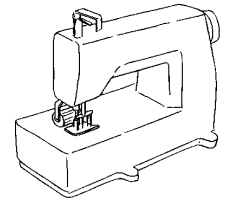
A mm.	B mm.	C
51	30	L
51	30	M
51	30	H
57	36	L
57	36	M
57	36	H
63	43	L
63	43	M
63	43	H

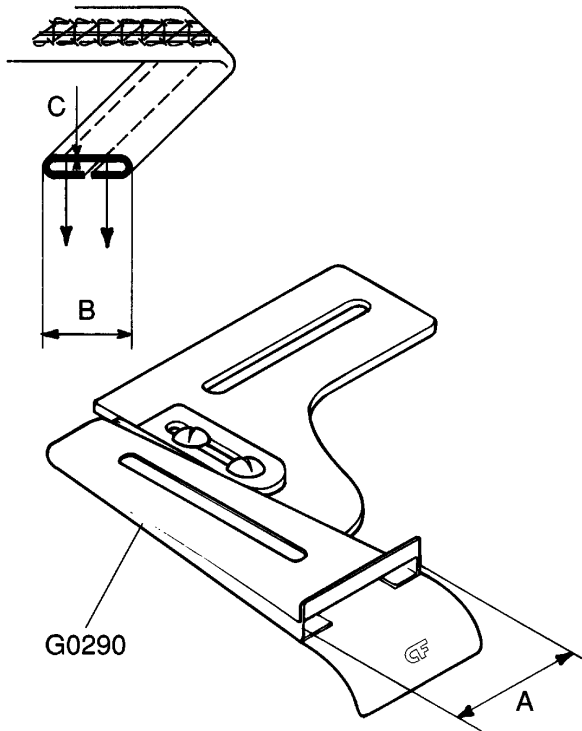
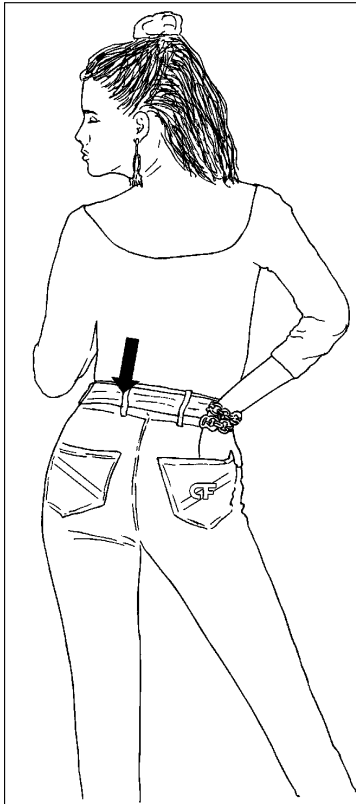


Copyright 1991 by CF ITALIA

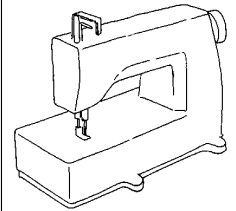


A mm.	B mm.	C
51	30	MH
57	36	MH
63	43	MH

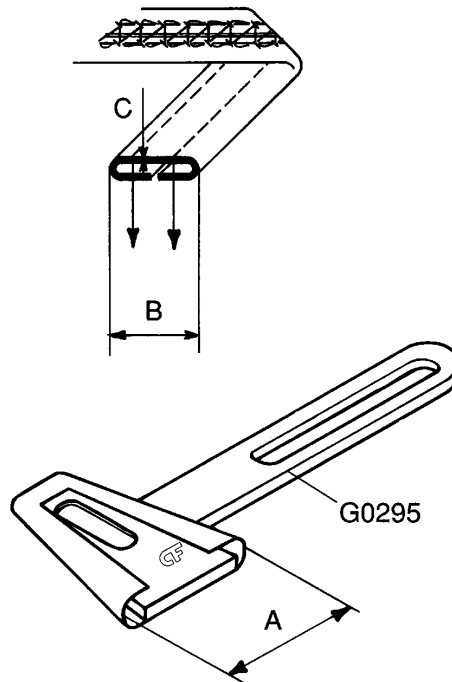
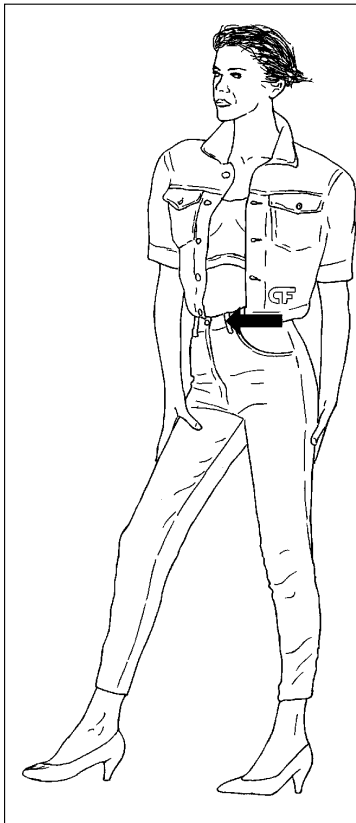




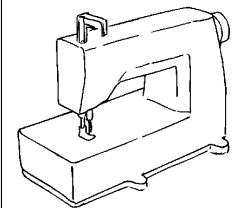
A mm.	B mm.	C
16	8	MH
19	9	MH
22	11	MH
25	12	MH
28	14	MH
30	15	MH
32	16	MH
35	17	MH
40	20	MH
45	22	MH
50	25	MH



Copyright 1991 by CF ITALIA

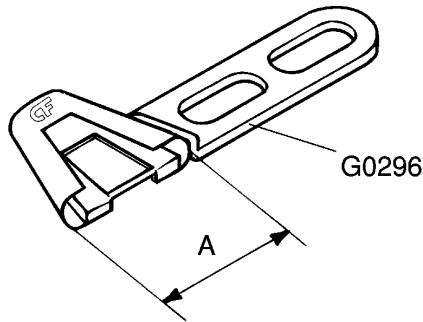
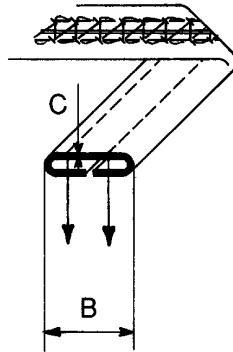
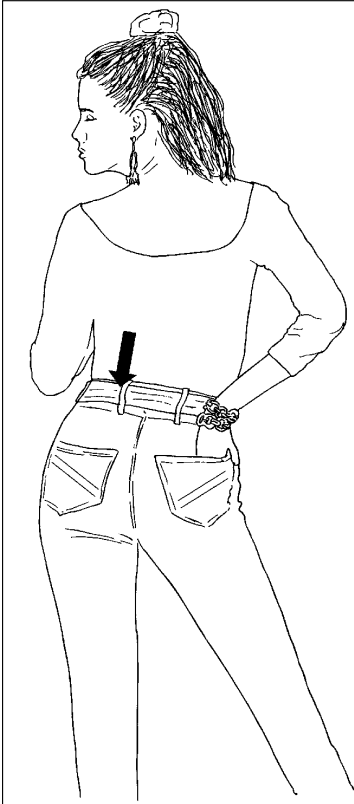


A mm.	B mm.	C
16	8	MH
20	10	MH
25	12	MH
28	14	MH
30	15	MH
40	20	MH

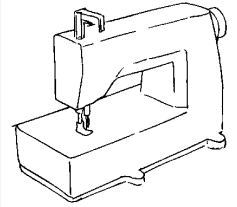


Kansai DVK 1702 BK  
Brother FD4 - B271



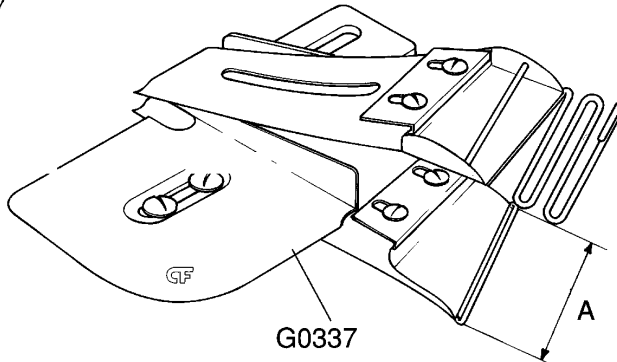
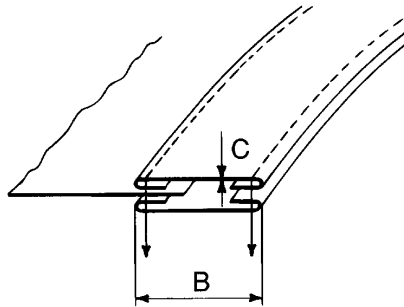
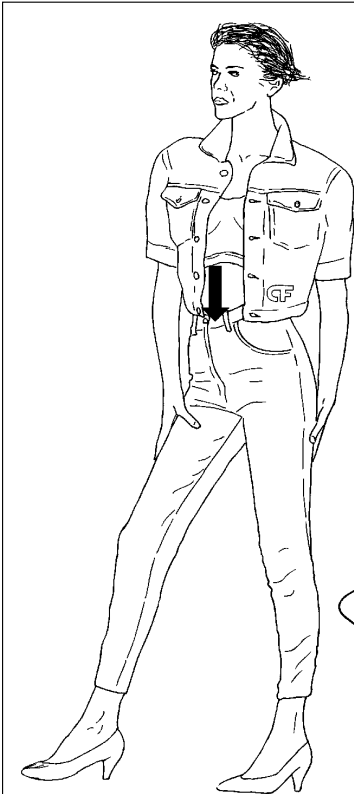


A mm.	B mm.	C
16	8	MH
20	10	MH
22	11	MH
25	12	MH
28	14	MH

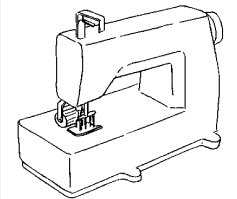


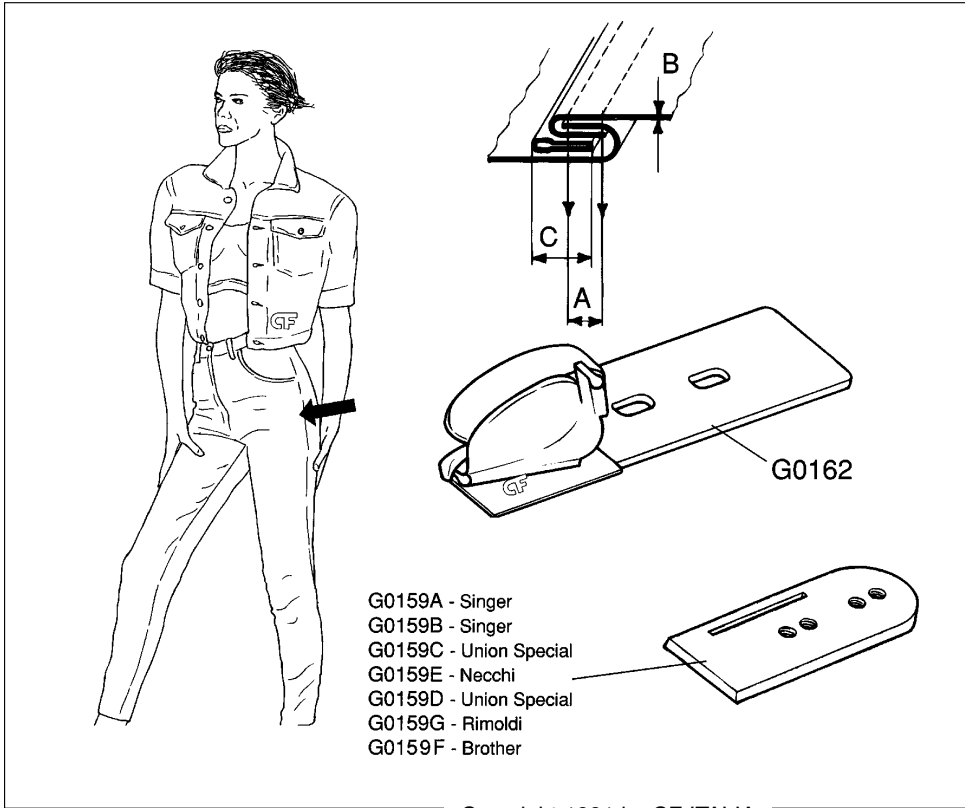
Kansai DVK 1702 BWK

Copyright 1991 by CF ITALIA

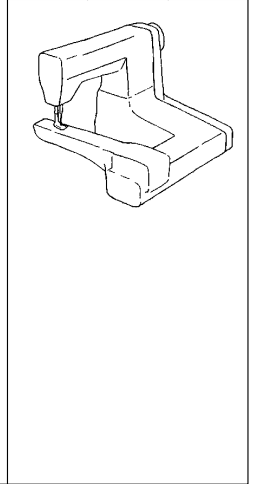


A mm.	B mm.	C
63	37	M
63	37	H
70	44	M
70	44	H

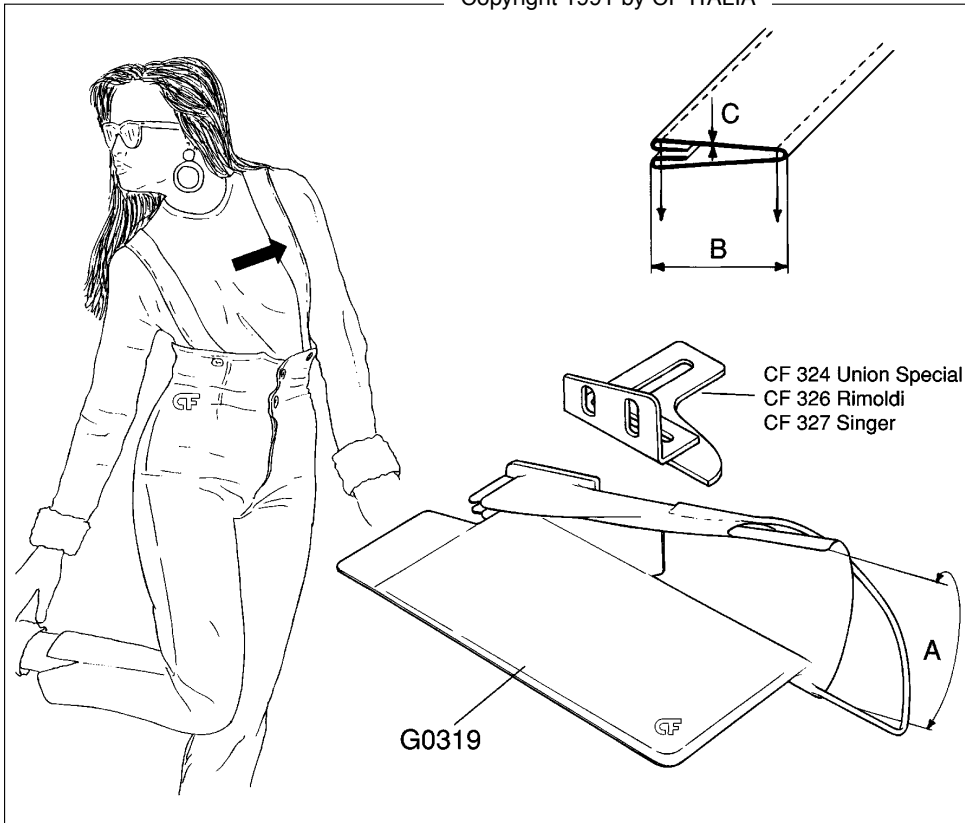




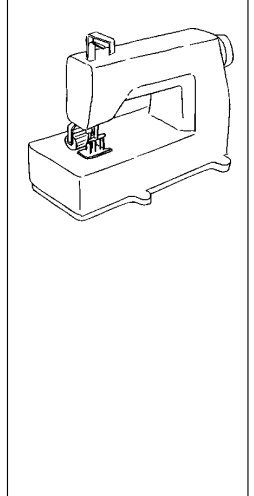
A mm.	B	C mm.
4,8	L	10
4,8	M	10
4,8	MH	10
4,8	H	10
6,4	L	10
6,4	M	10
6,4	MH	10
6,4	H	10
6,4	HX	10

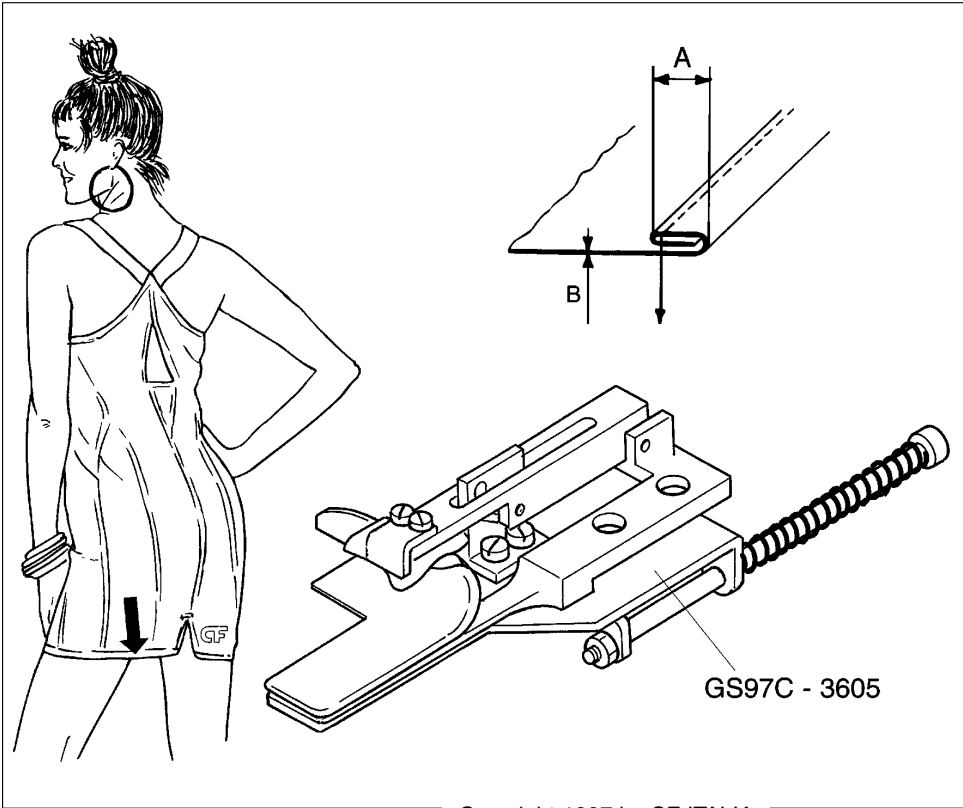


Copyright 1991 by CF ITALIA

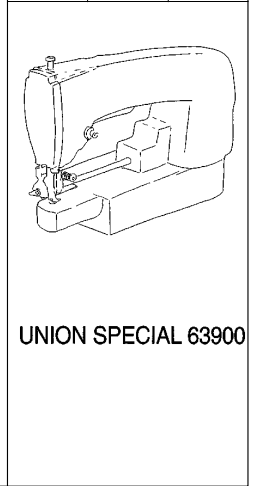


A mm.	B mm.	C
75	25	L-M
80	28	L-M-H
85	32	L-M-H
90	35	L-M-H
95	37	L-M-H
100	40	L-M-H
105	43	L-M-H
110	45	L-M-H
120	50	M-H

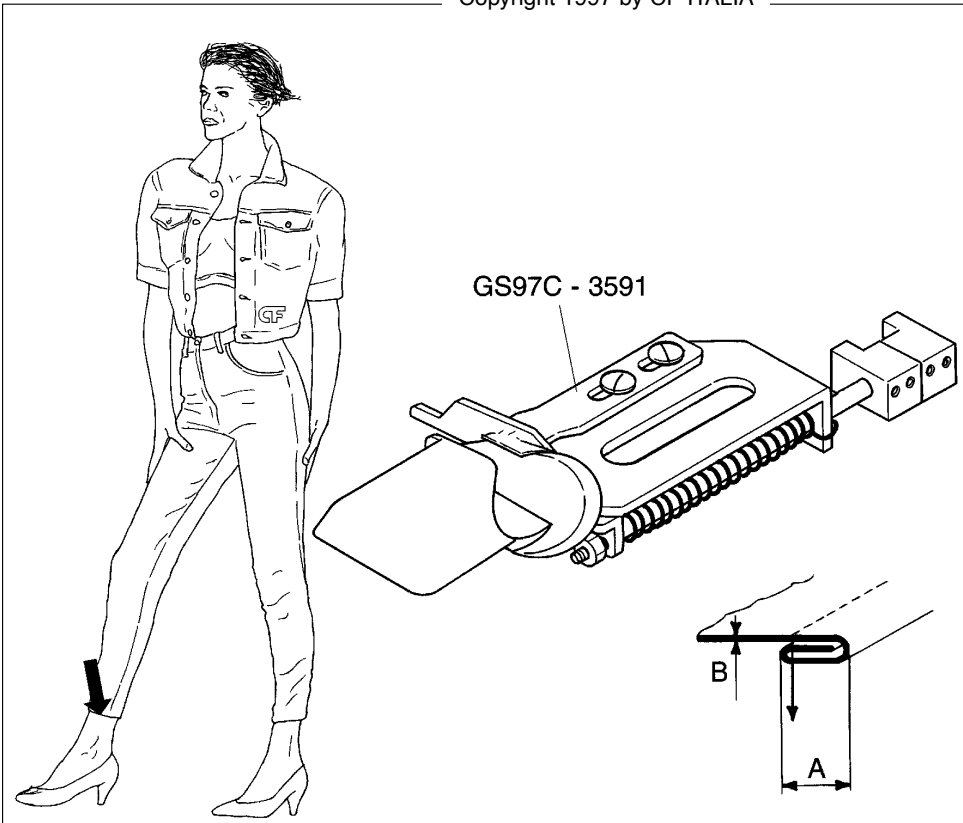




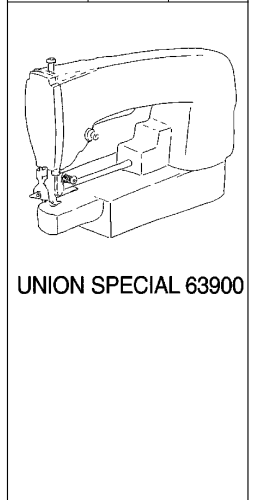
A mm.	B
10÷16	H



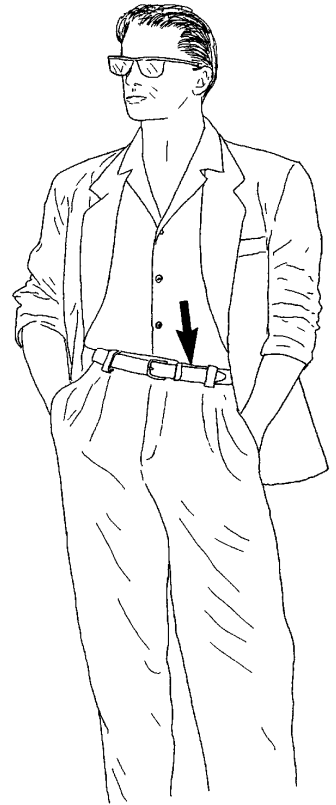
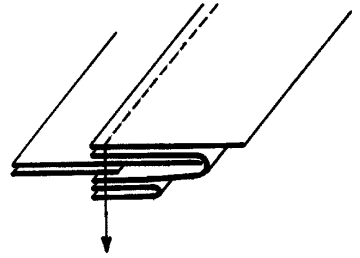
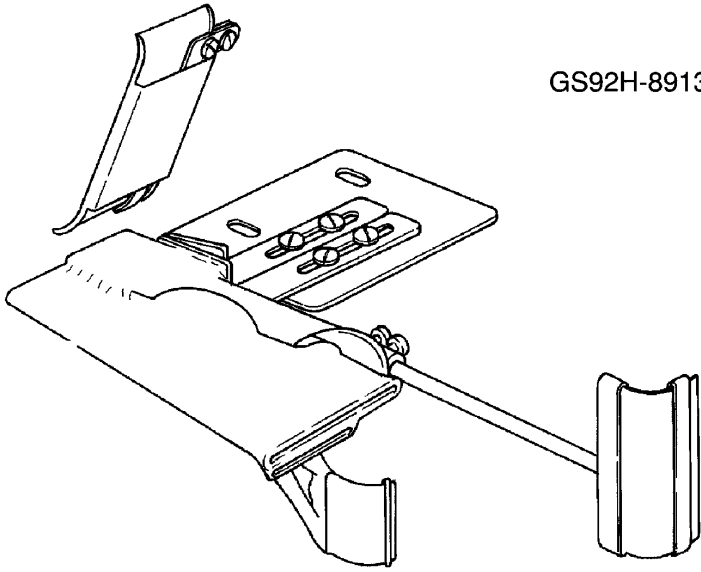
Copyright 1997 by CF ITALIA



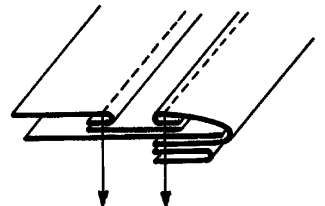
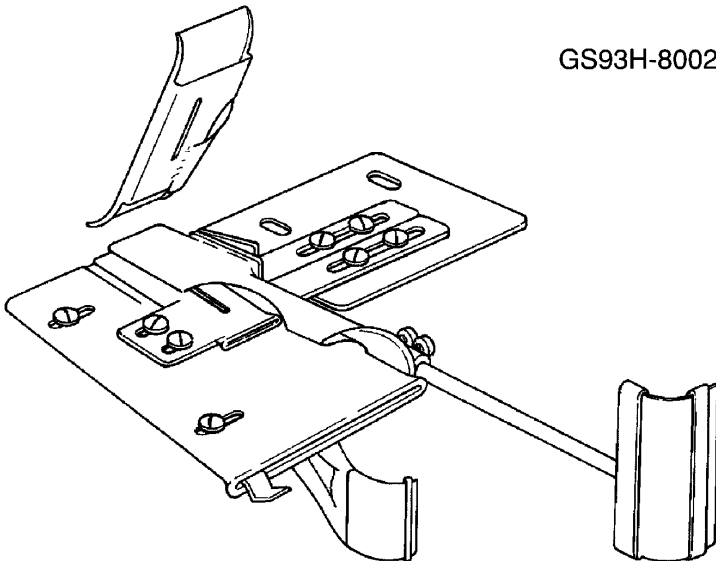
A mm.	B
10÷16	H

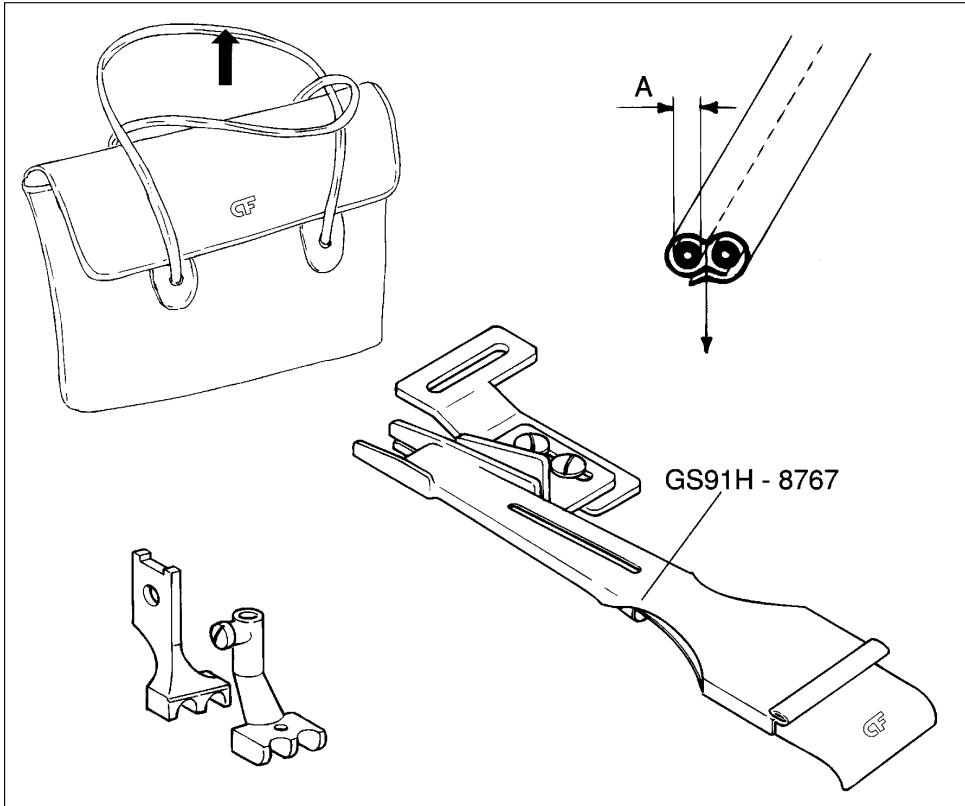


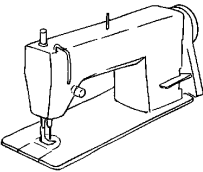
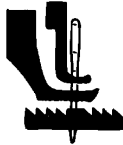
GS92H-8913



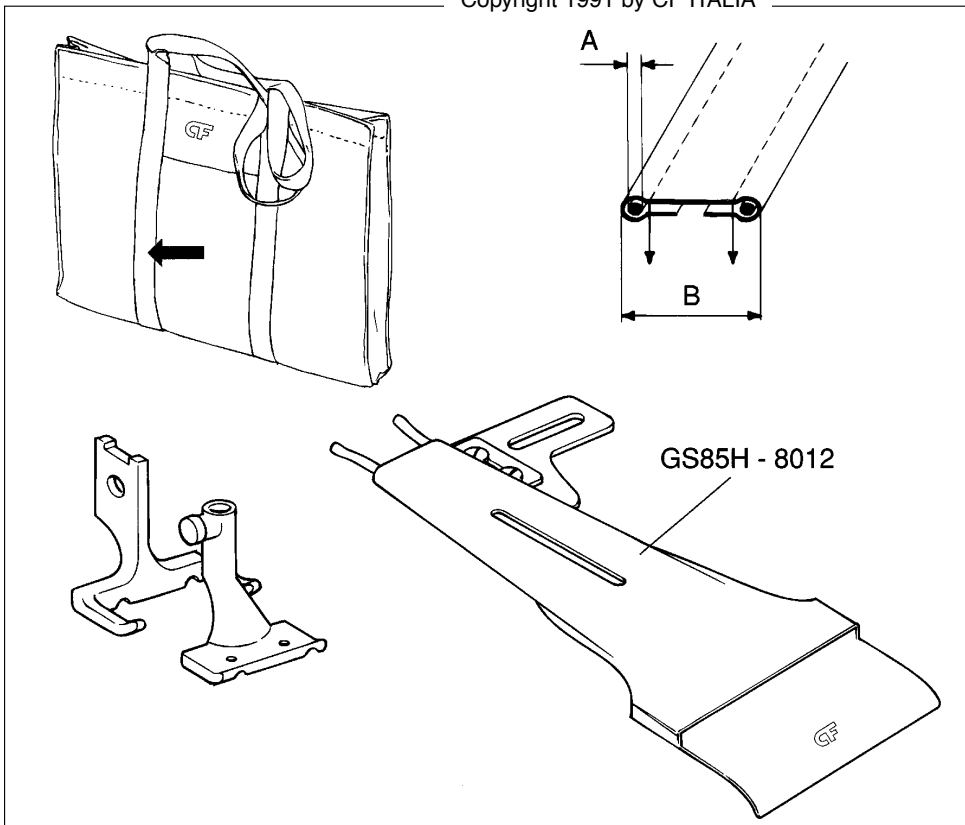
GS93H-8002

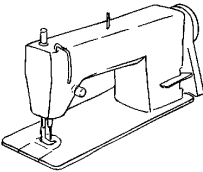



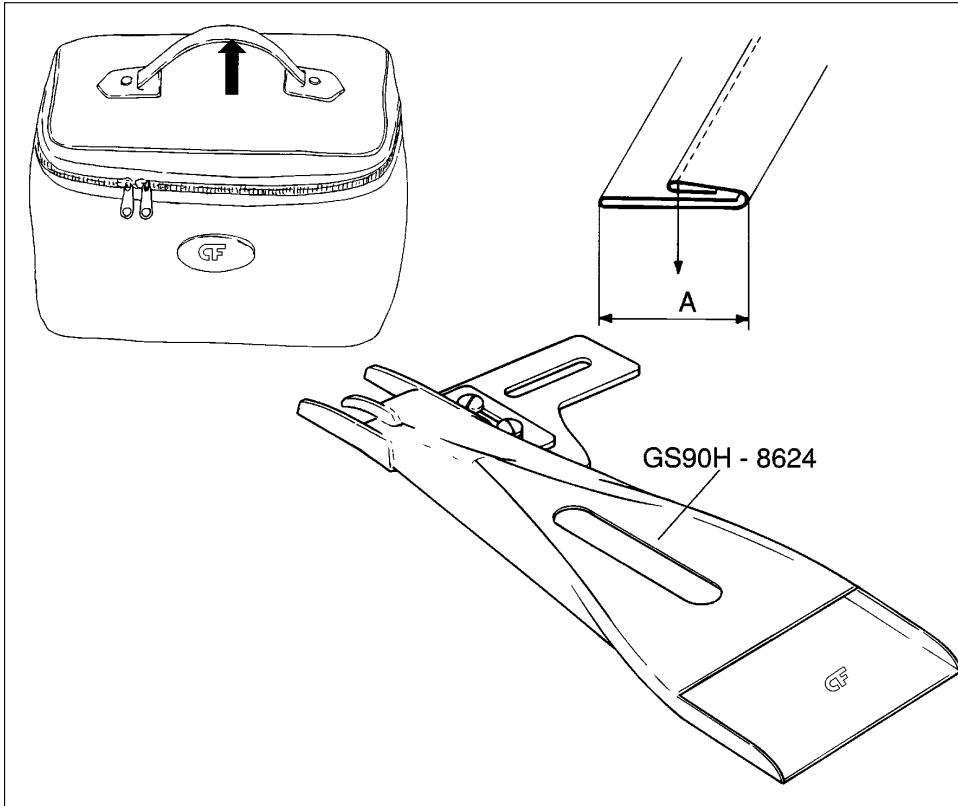


A mm.	B	
3 4 5		
		
		

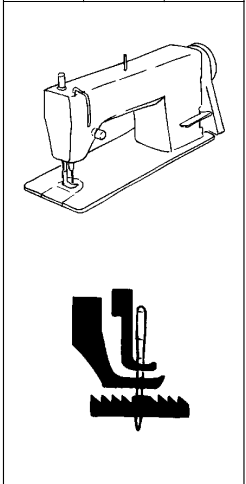
Copyright 1991 by CF ITALIA



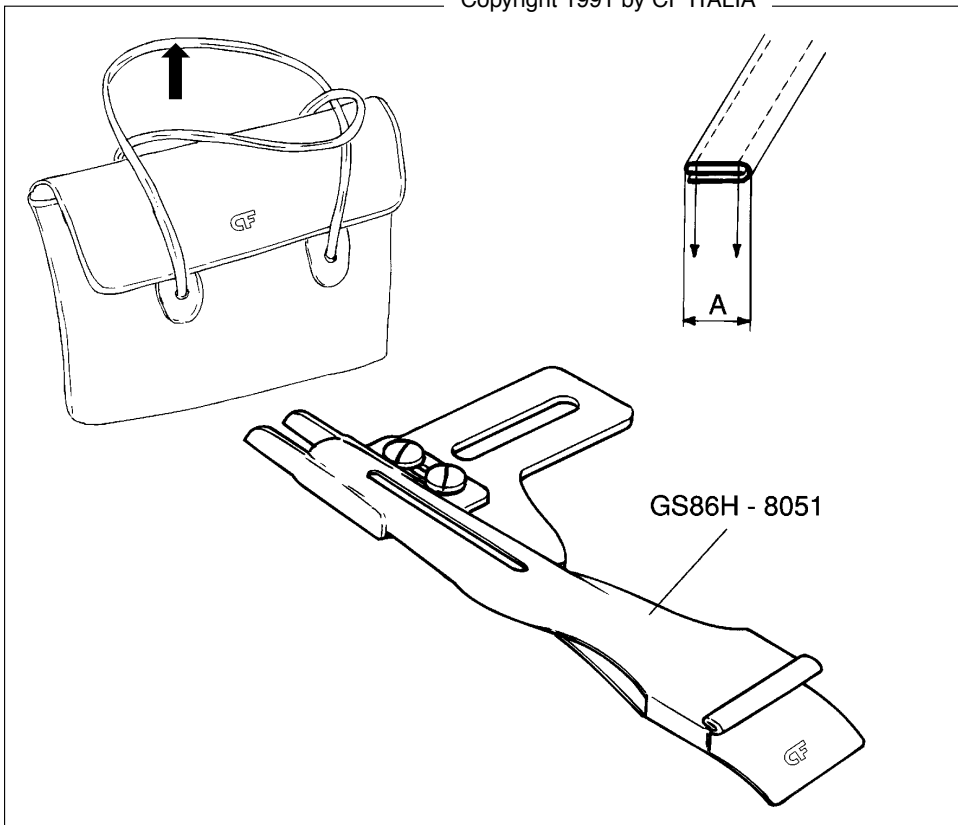
A mm.	B mm.	
2 3	30 35	
		
		



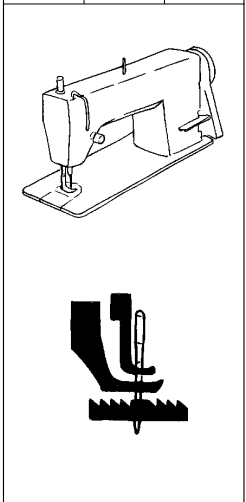
A mm.		
25 30		

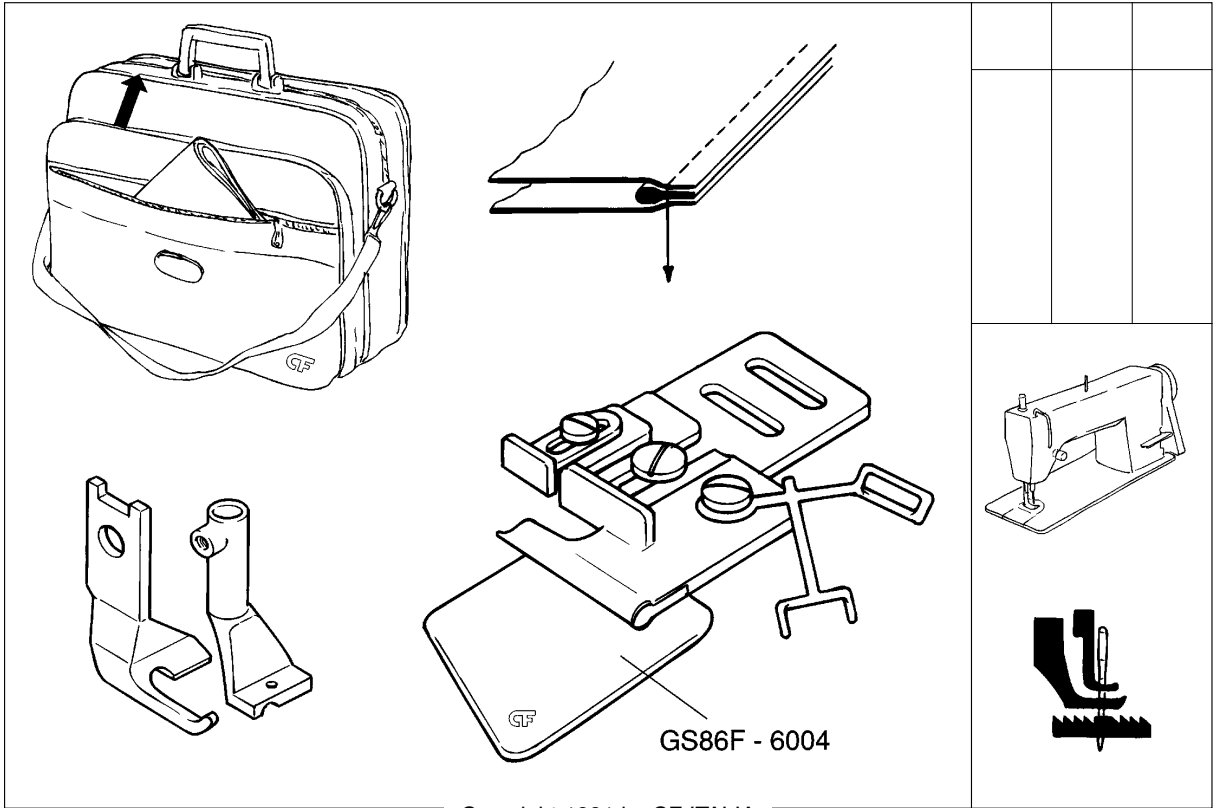


Copyright 1991 by CF ITALIA

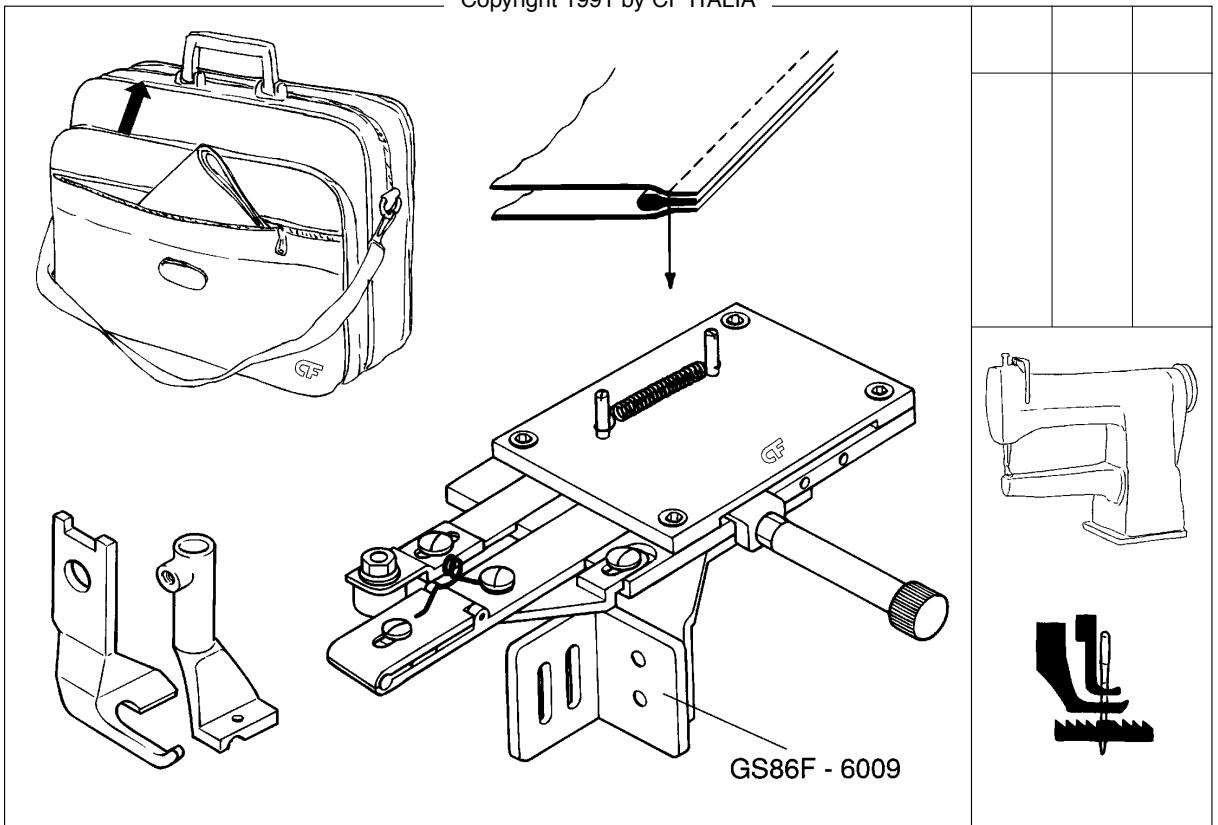


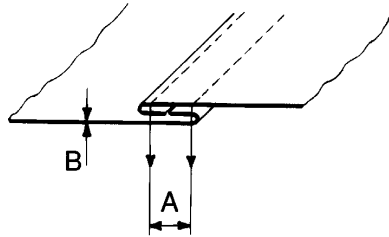
A mm.		
10 12 15		



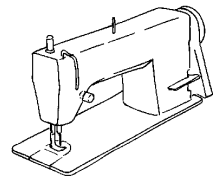


Copyright 1991 by CF ITALIA

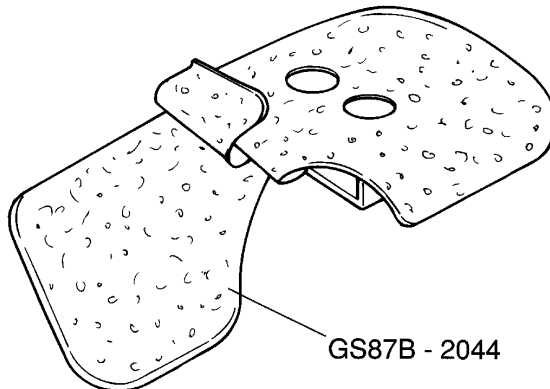
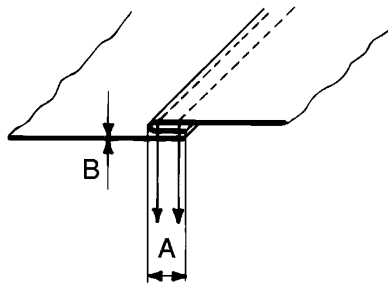




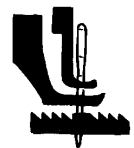
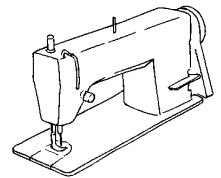
A mm.	B	
10 12	HX HX	



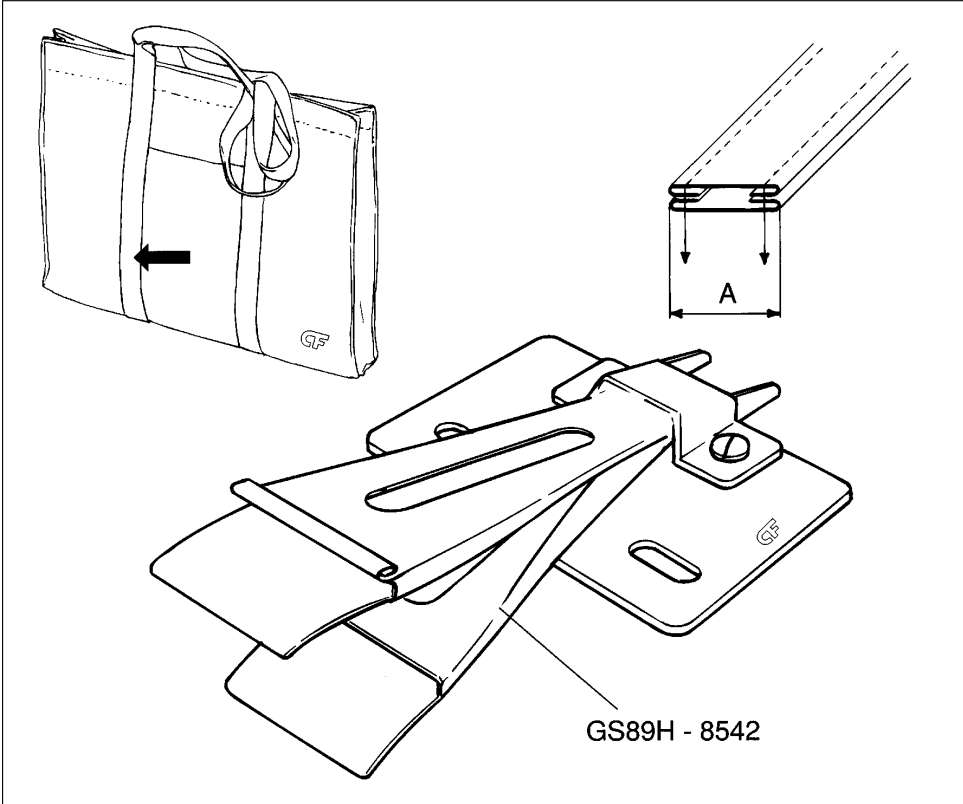
Copyright 1991 by CF ITALIA



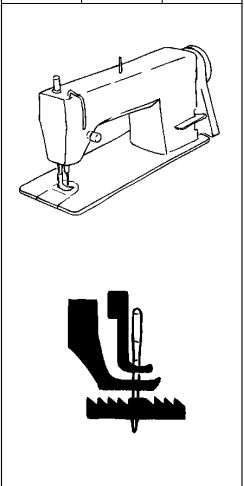
A mm.	B	
8 10 12	HX HX HX	



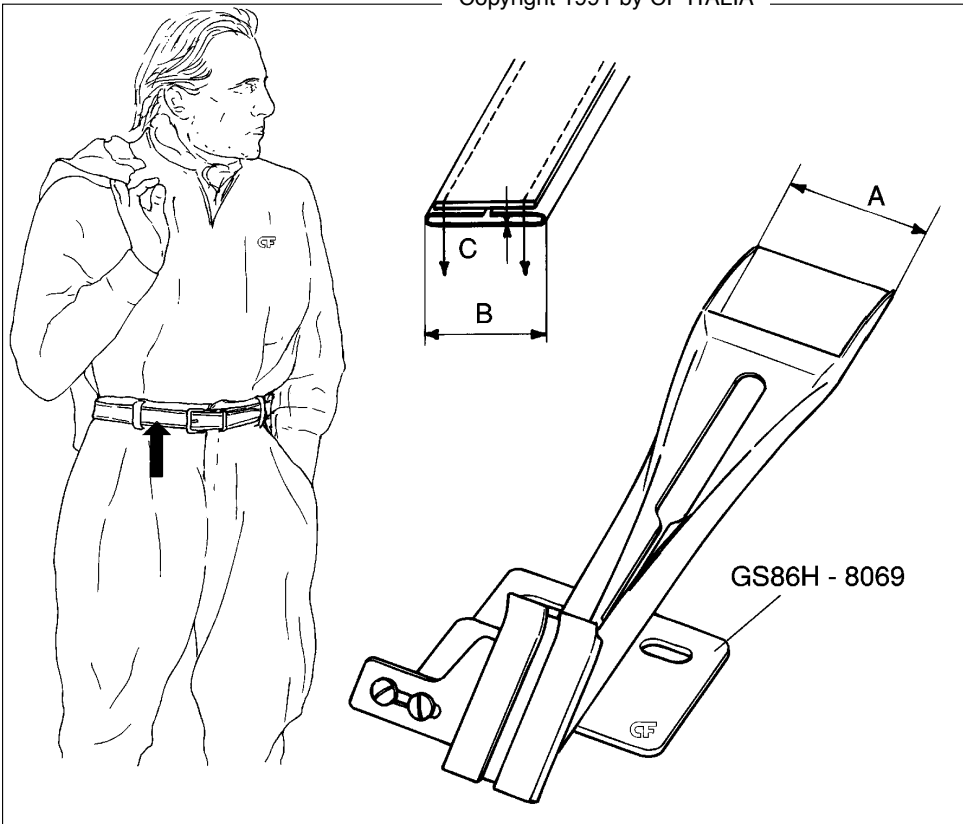




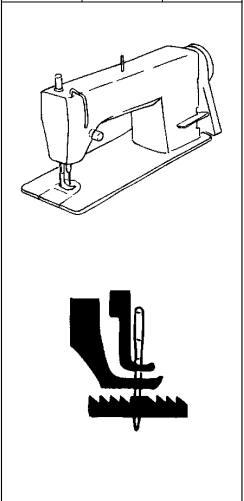
A mm.		
25		
30		
35		

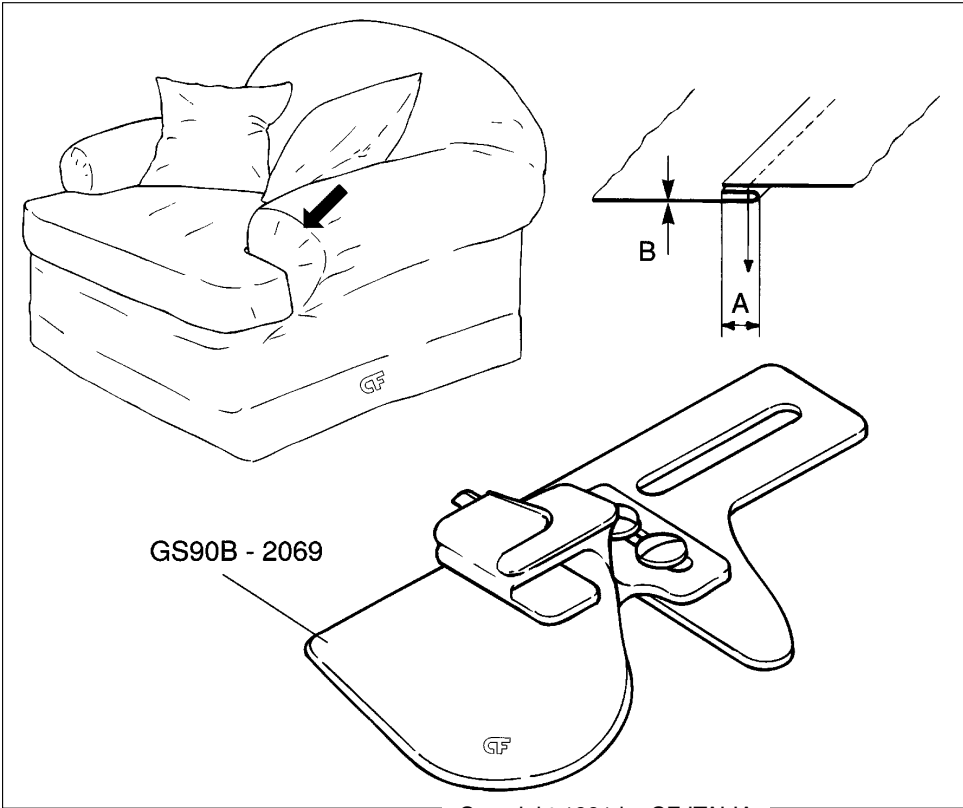


Copyright 1991 by CF ITALIA



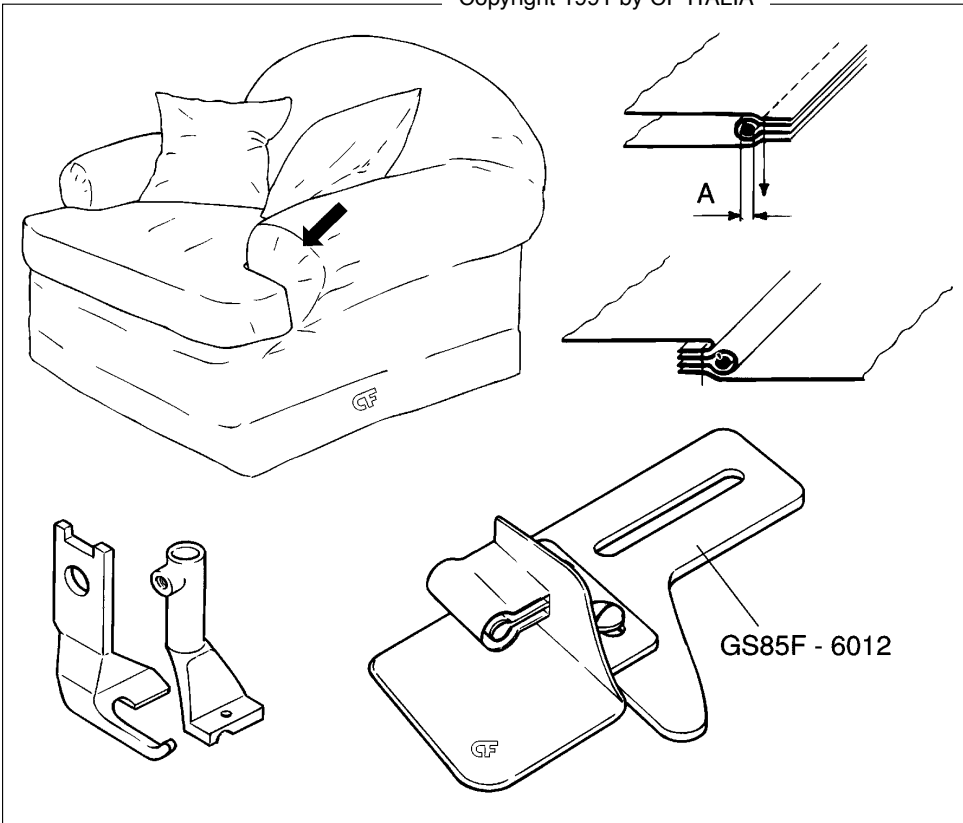
A mm.	B mm.	C
40	20	MH
50	25	MH
60	30	MH
70	35	MH
80	40	MH



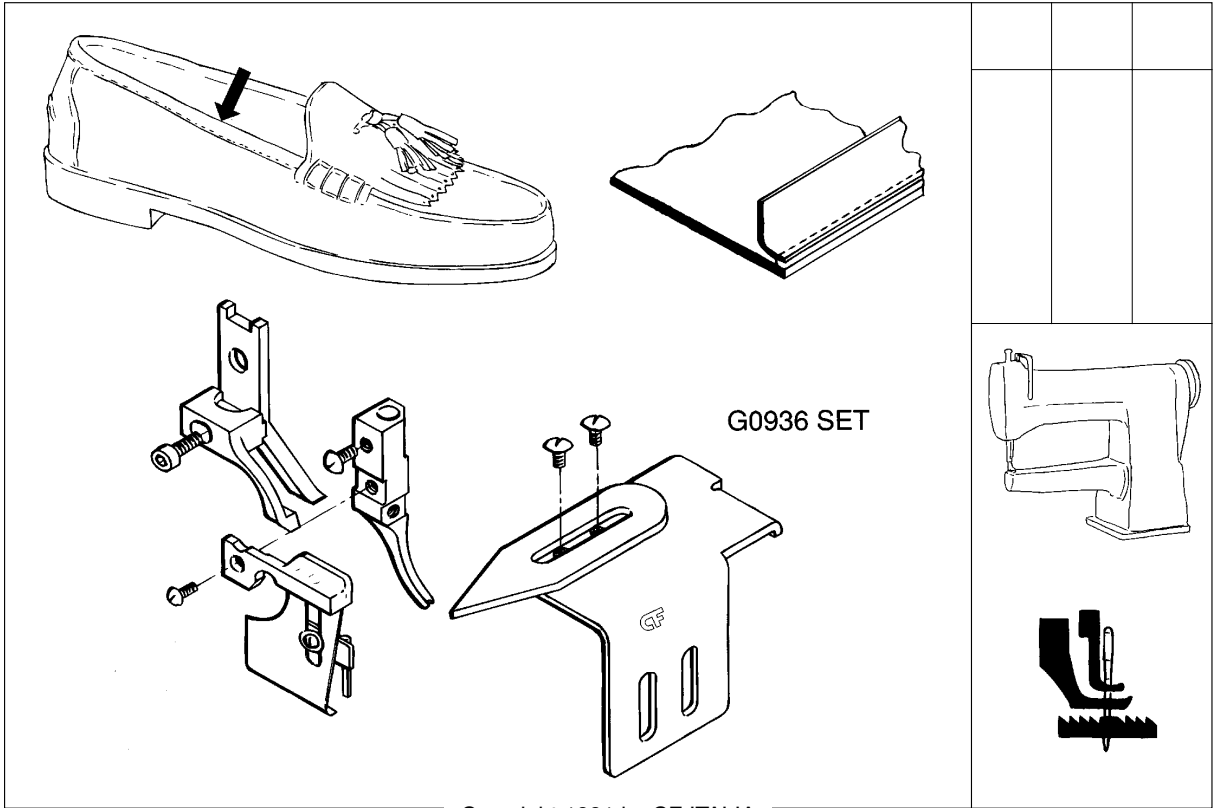


A mm.	B	
12	H	

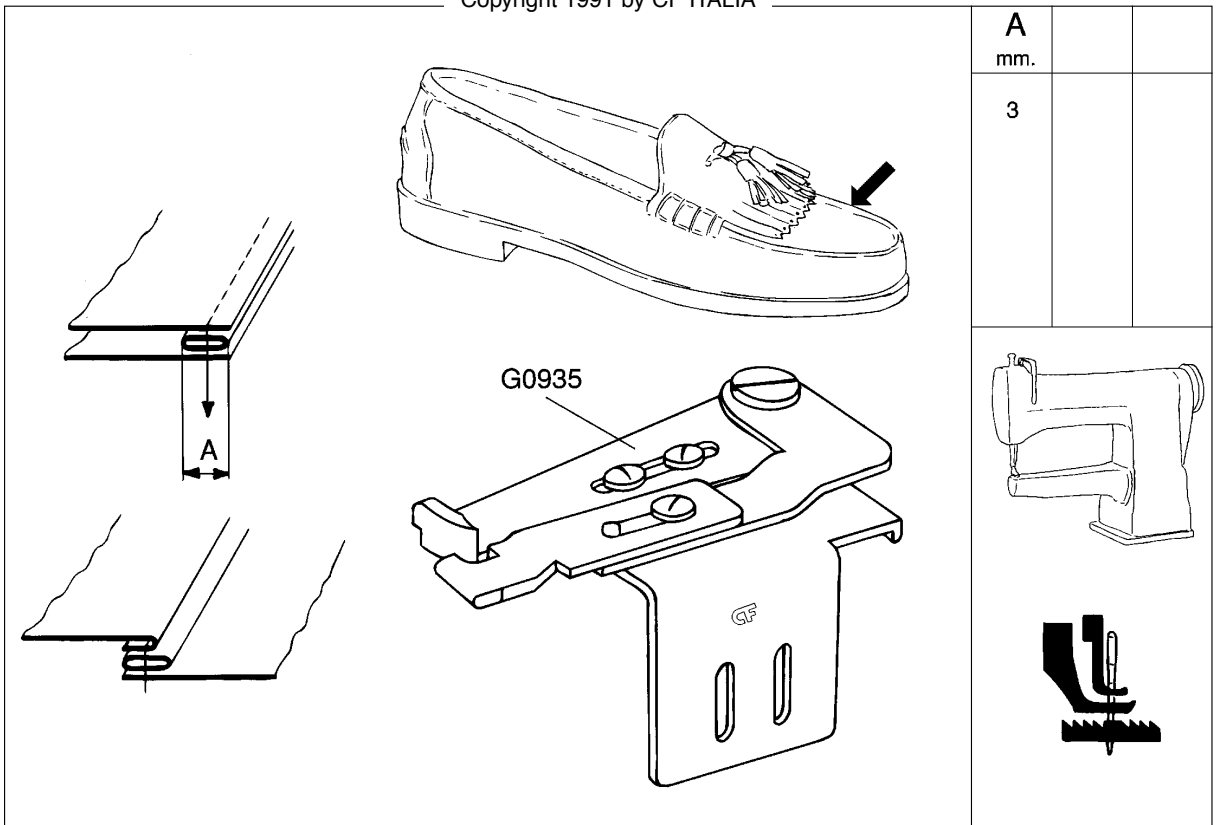
Copyright 1991 by CF ITALIA

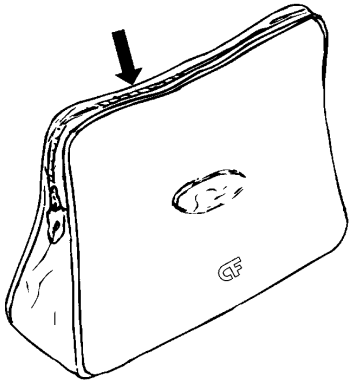
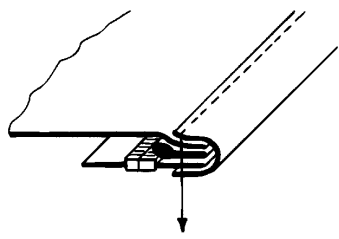


A mm.		
2 3 4		

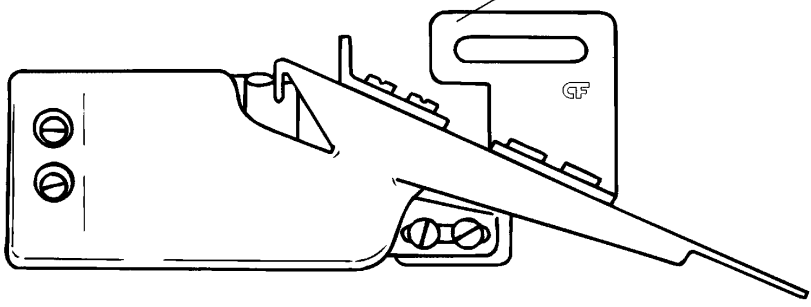
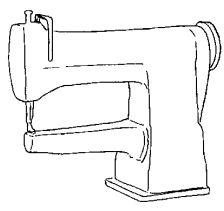



Copyright 1991 by CF ITALIA

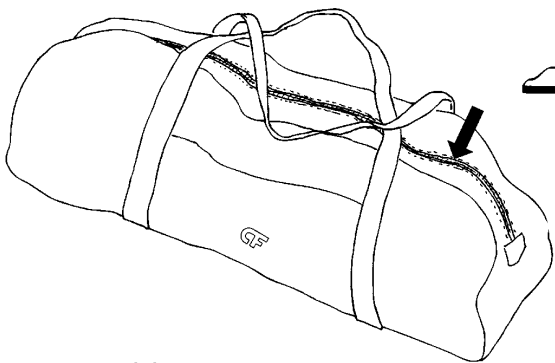
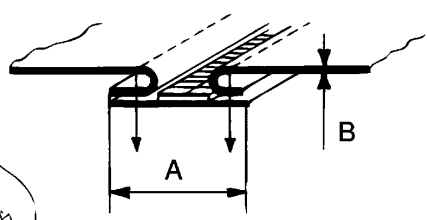


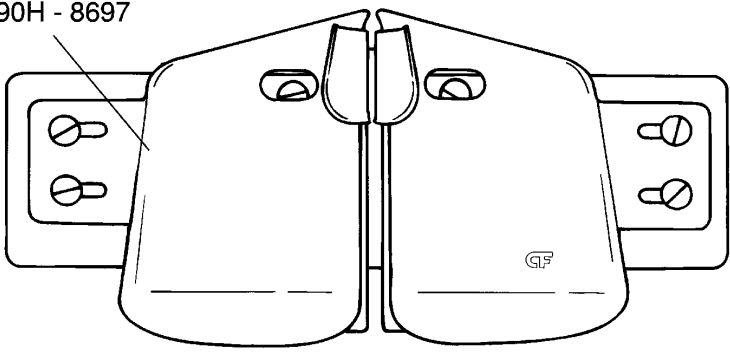
GS89A - 1387

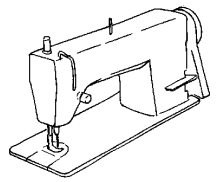
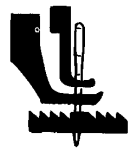
Copyright 1991 by CF ITALIA

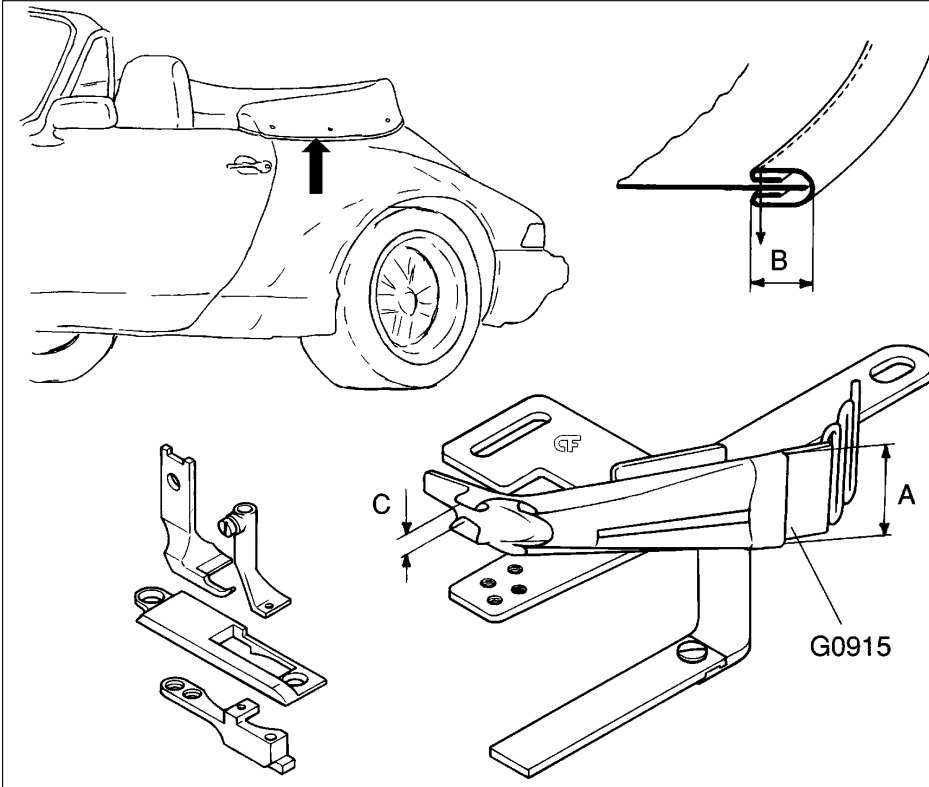



GS90H - 8697

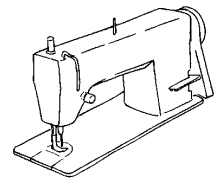


A mm.	B mm.
25-35	2

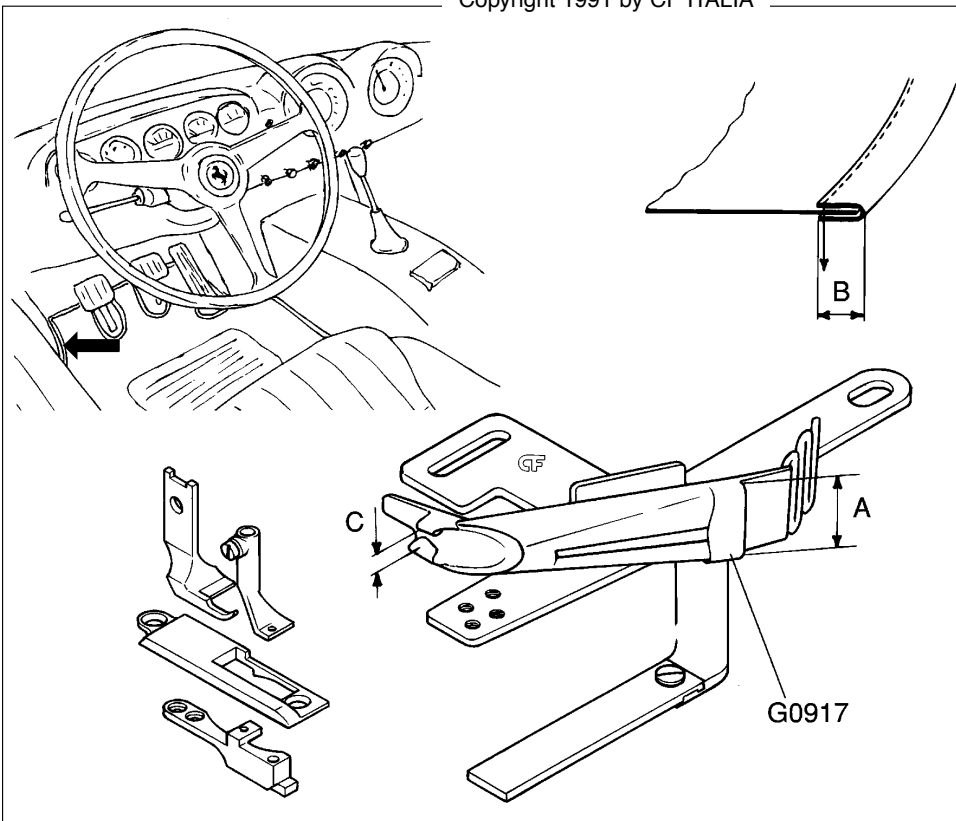





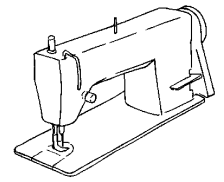
A mm.	B mm.	C mm.
20	5	4
25	6	4-5-6
30	8	4-5-6
35	10	5-7
40	12	5-8

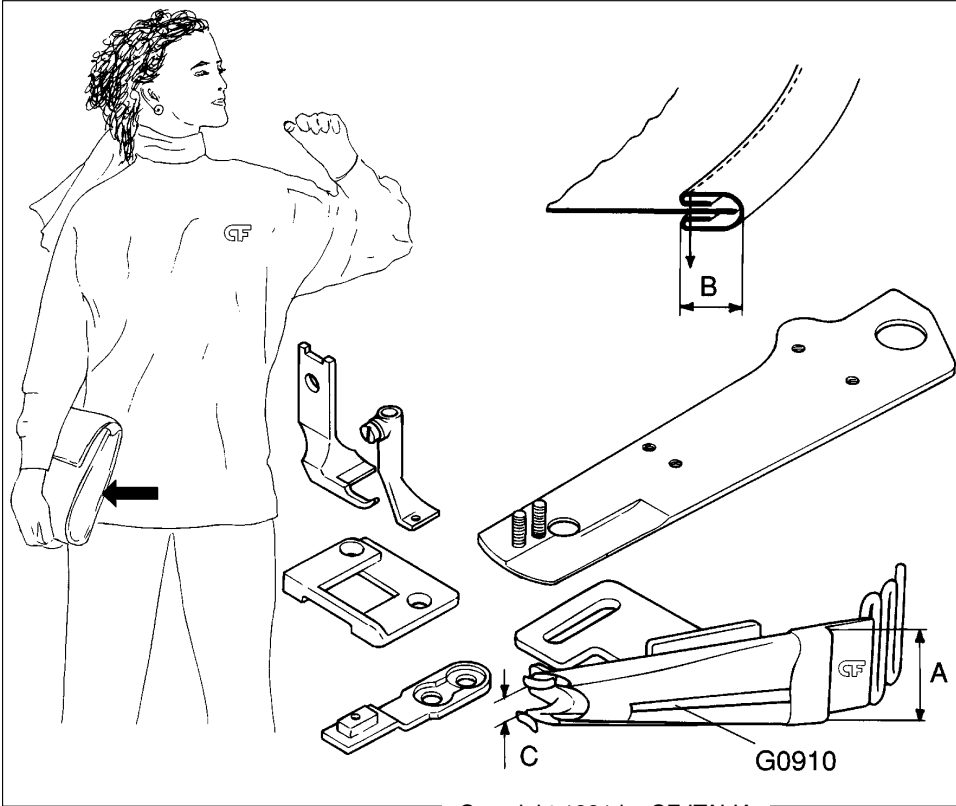


Copyright 1991 by CF ITALIA

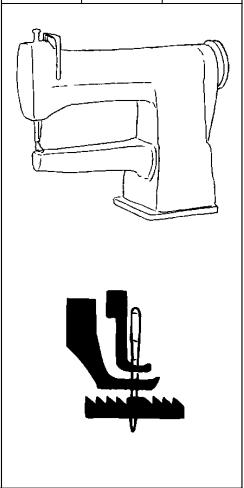


A mm.	B mm.	C mm.
14	7	4-5
16	8	4-5-6
18	9	4-5-6
20	10	4-5-7
25	12	4-6-8

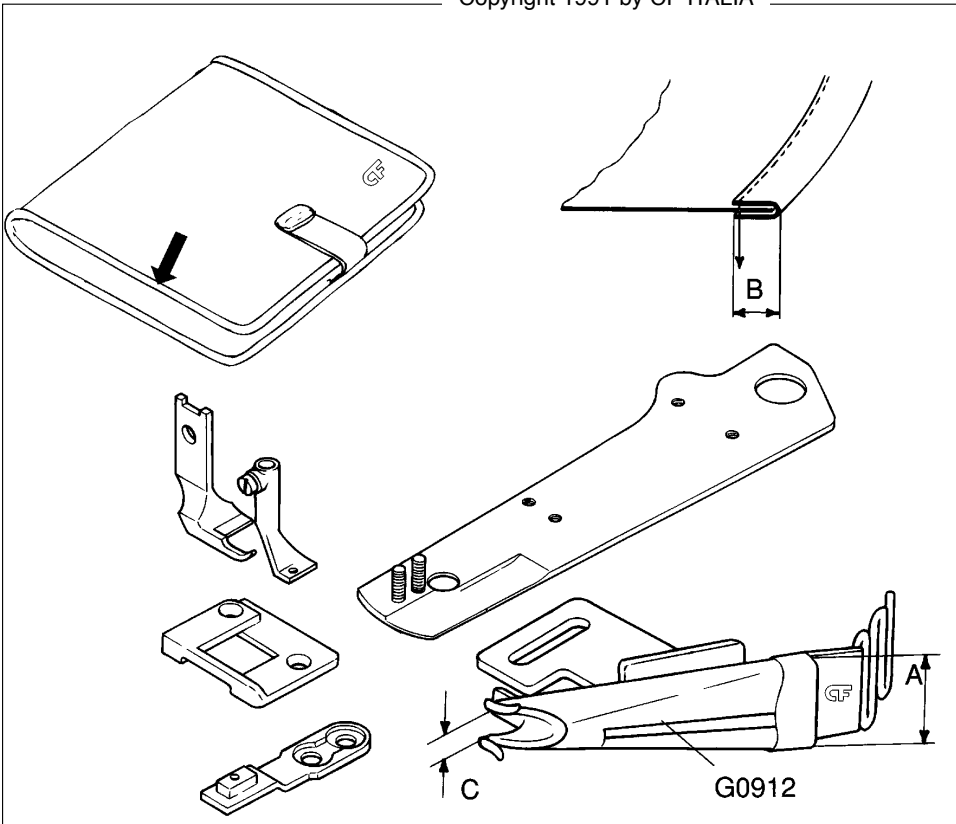




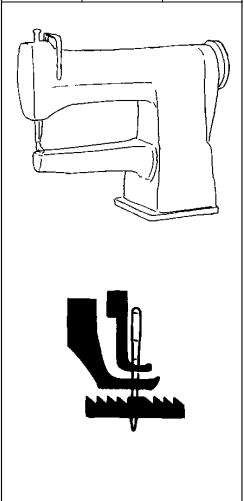
A	B	C
mm.	mm.	mm.
20	5	4
22	6	4-5
25	7	4-5-6
28	8	4-5-6
30	9	4-5-6
32	10	4-5-6
35	11	5-7
40	12	5-8
45	14	5-8
50	16	5-8

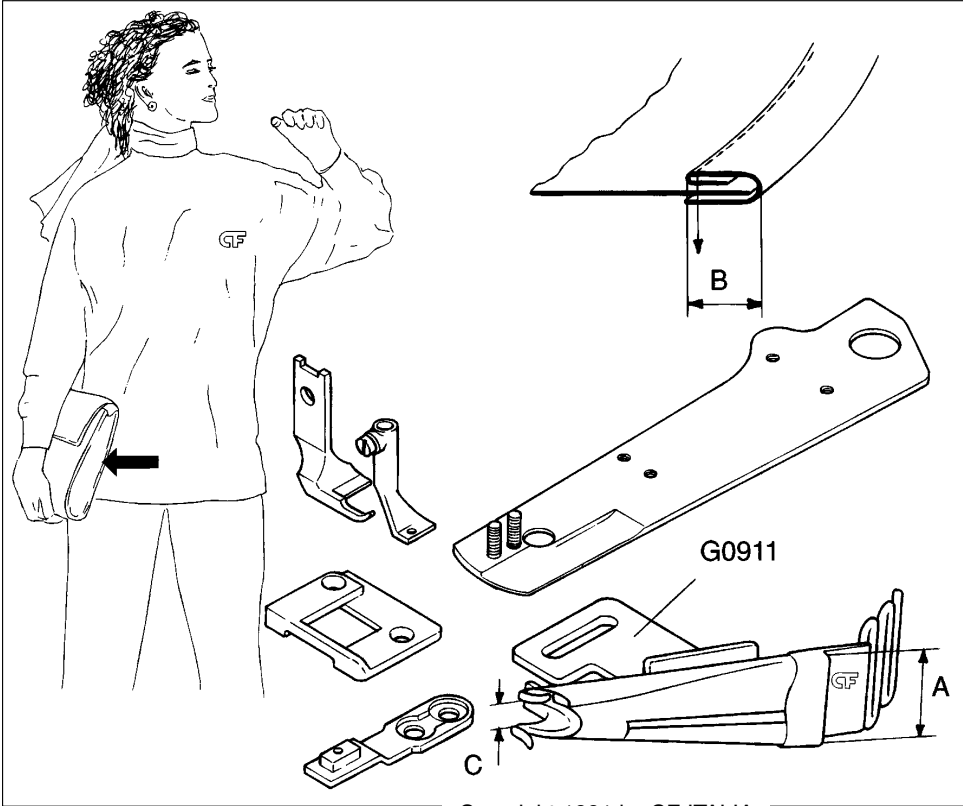


Copyright 1991 by CF ITALIA

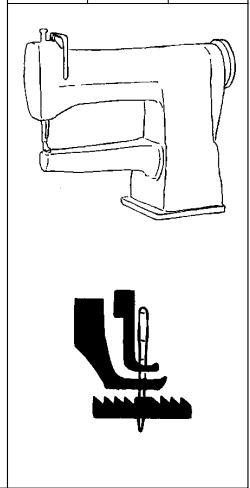


A	B	C
mm.	mm.	mm.
12	6	4-5
14	7	4-5
16	8	4-5-6
18	9	4-5-6
20	10	4-5-6
22	11	4-5-6
25	12	4-6-8
28	14	5-8

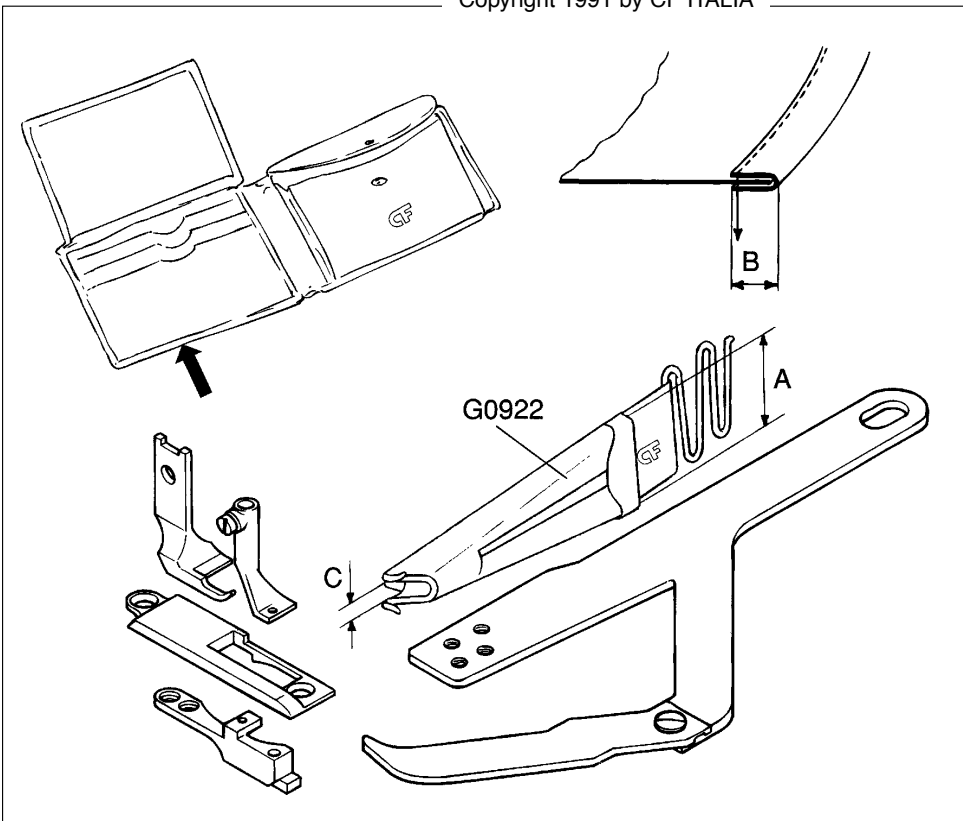




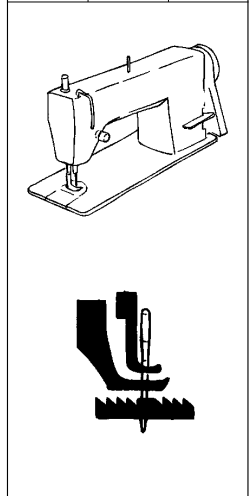
A mm.	B mm.	C mm.
20	7	4-5-6
22	8	4-5-6
25	9	4-5-6
30	11	4-6-8

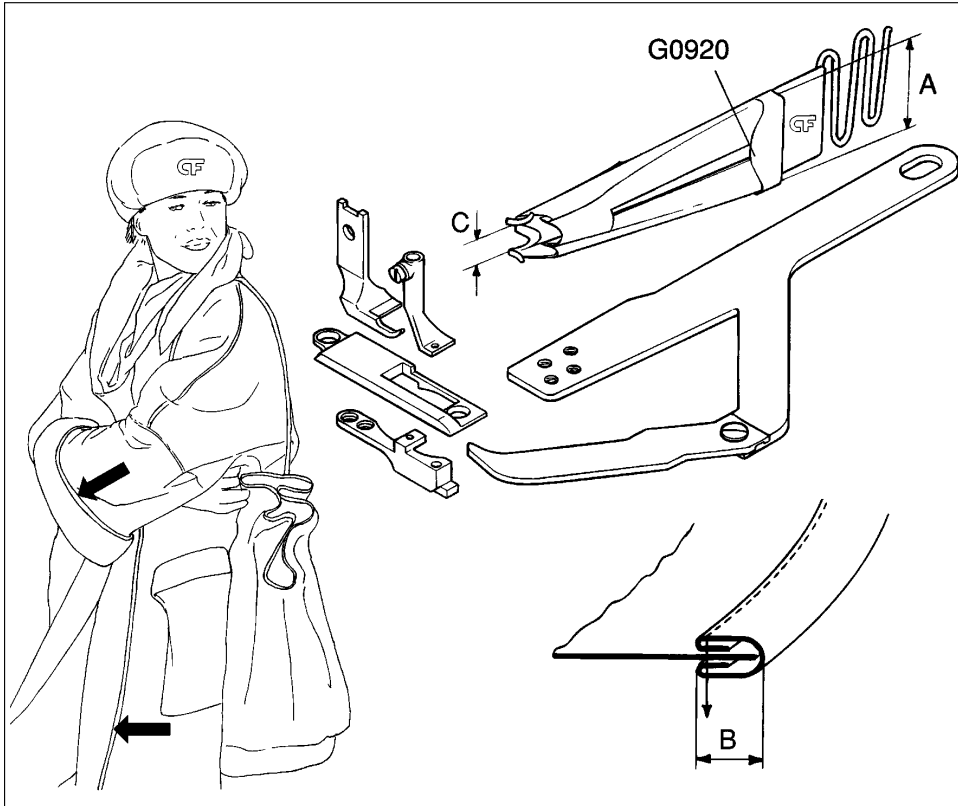


Copyright 1991 by CF ITALIA

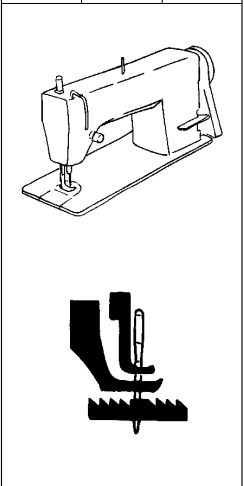


A mm.	B mm.	C mm.
12	6	3
14	7	4
16	8	4
18	9	4-6
20	10	4-6
22	11	4-6
24	12	4-6
26	13	4-6

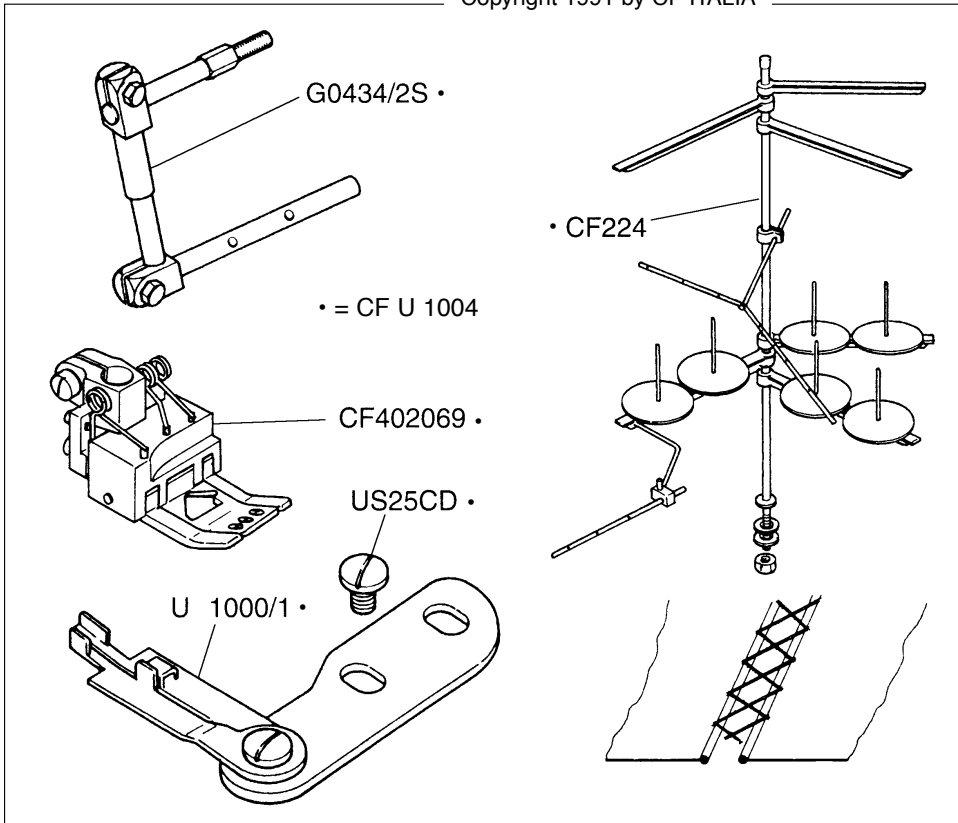




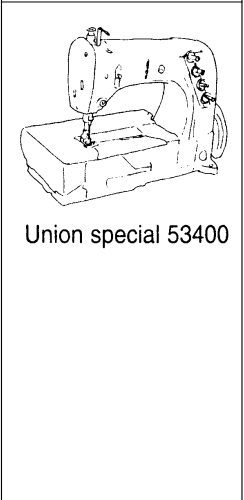
A mm.	B mm.	C mm.
20	5	4
22	6	4-5
25	7	4-5-6
28	8	4-6
30	9	4-6
35	11	5-7
40	12	5-8
45	14	5-8



Copyright 1991 by CF ITALIA



UNITA' COMPLETA  
CF 3710 \*



\* Refer to catalogue "UNITA' COMPLETE"




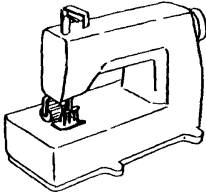
BM310157/1A Rimoldi  
BM310157/2A Union Special  
BM310157/3A Kansai

G0375-20M x3

G0355-15M x3

CF402067/1 Rimoldi  
CF402067/2 Union Special  
CF402067/3 Kansai

CF234

		
6,4		
<b>UNITA' COMPLETA</b> CF 2211 *		
		
Rimoldi 264-38-9ML-01 Union Special 54200 J 12-16 Kansai 1012 P		

Copyright 1997 by CF ITALIA


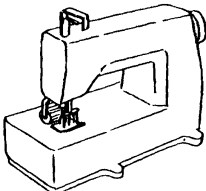
BM310157/1A Rimoldi  
BM310157/2A Union Special  
BM310157/3A Kansai

G0375-16L x3

G0375-24M x3

CF402068/1 Rimoldi  
CF402068/2 Union Special  
CF402068/3 Kansai

CF234

		
4,8		
<b>UNITA' COMPLETA</b> CF 2210 *		
		
Rimoldi 264-38-OML-02 Union Special 54400 J 12-16 Kansai 1012 P		

\* Refer to catalogue "UNITA' COMPLETE"

## ALPHANUMERICAL INDEX

Code No.	Page <b>5.</b>	Code No.	Page <b>5.</b>	Code No.	Page <b>5.</b>
BM310157	63	G0265	30	G0470	3
BM6001	11	G0267 SET	31	G0471	3
CF178	39	G0272	32	G0910	60
CF179	39	G0273	28	G0911	61
CF224	62	G0274	26	G0912	60
CF234	63	G0275 SET	12	G0915	59
CF324	40-42-48	G0290	46	G0917	59
CF326	40-42-48	G0295	46	G0920	62
CF327	40-42-48	G0296	47	G0922	61
CF465	36	G0300	1	G0935	57
CF467	3-4	G0319	48	G0936 SET	57
CF468	3-4	G0322	12	GS02A - 1206	37
CF469	3-4	G0325	40	GS85H - 8012	51
CF505S	10	G0330	11	GS86A - 1007	7
CF1000	34-35-36	G0334	43	GS86F - 6004	53
CF1004	4	G0335	43	GS86F - 6009	53
CF1006	32	G0337	47	GS86H - 8042	6
CF402042	33	G0338	45	GS86H - 8051	52
CF402043	33	G0339	45	GS86H - 8057	6
CF402044	33	G0342	45	GS86H - 8069	55
CF402067	63	G0350	8	GS87B - 2043	54
CF402068	63	G0352	13	GS87B - 2044	54
CF402069	62	G0353	13	GS87H - 8272	4
CFU1004	62	G0355	9-63	GS89A - 1387	58
GA5405	22	G0357	8	GS89H - 8542	55
G0111	36	G0360	10	GS89H - 8591	43
G0159	38-48	G0367	10	GS85F - 6012	56
G0160	38	G0369	9	GS90A - 1584	42
G0162	48	G0375	14-20-42-63	GS90B - 2069	56
G0165	17	G0381	11	GS90C - 3261	42
G0170	39	G0385	14-18	GS90C - 3275	2
G0173	35	G0400	16-20-23	GS90H - 8624	52
G0175	35	G0402	24	GS90H - 8644	7
G0176	34	G0405	22	GS90H - 8658	44
G0180	39	G0410	21	GS90H - 8672	15
G0202	5	G0413	24	GS90H - 8697	58
G0207	38	G0415	23	GS90H - 8711	15
G0209	20	G0417	25	GS90H - 8722	5
G0210	18	G0425	25	GS90H - 8729	36
G0211	17	G0427	29-45	GS90H - 8730	44
G0213	19	G0428	29-45	GS91C - 3310	4
G0216	41	G0432	11-14-15-18	GS91H - 8756	28
G0217	41	G0433	11-14-15-18	GS91H - 8761	16
G0219	40	G0434	62	GS91H - 8767	51
G0221	21	G0439	11-14-15-18	GS91H - 8769	1
G0225	19	G0440	11-14-15-18	GS91H - 8772	2
G0245	27	G0443	11-14-15-18	GS92H - 8913	50
G0246	29	G0446	11-14-15-18	GS93H - 8002	50
G0249	29	G0447	11-14-15-18	GS97C - 3591	49
G0250	26	G0436	13	GS97C - 3605	49
G0255	29	G0437	13	GS98H - 8614	37
G0256	27	G0438	13	PD166	13
G0259	33	G0441	34	U1000	62
G0262	32	G0442	33	US25CD	62
G0264	30	G0462	16		

© Copyright 1998 by CF ITALIA

All rights reserved. This catalogue and/or any portion thereof may not be reproduced in any form whatsoever without written permission of its copyright owner.

Litho in Italy.

Project Flavio Montagnoli CF ITALIA