

Rumoldi

CATALOGO PEZZI DI RICAMBIO

SPARE PARTS CATALOGUE - ERSATZTEILELISTE

CATALOGUE RECHANGES - CATALOGO REPUESTOS

962

TAGLIACOLLARETTI

COLLARETTE CUTTING MACHINE

COUPE-COLLERETTES

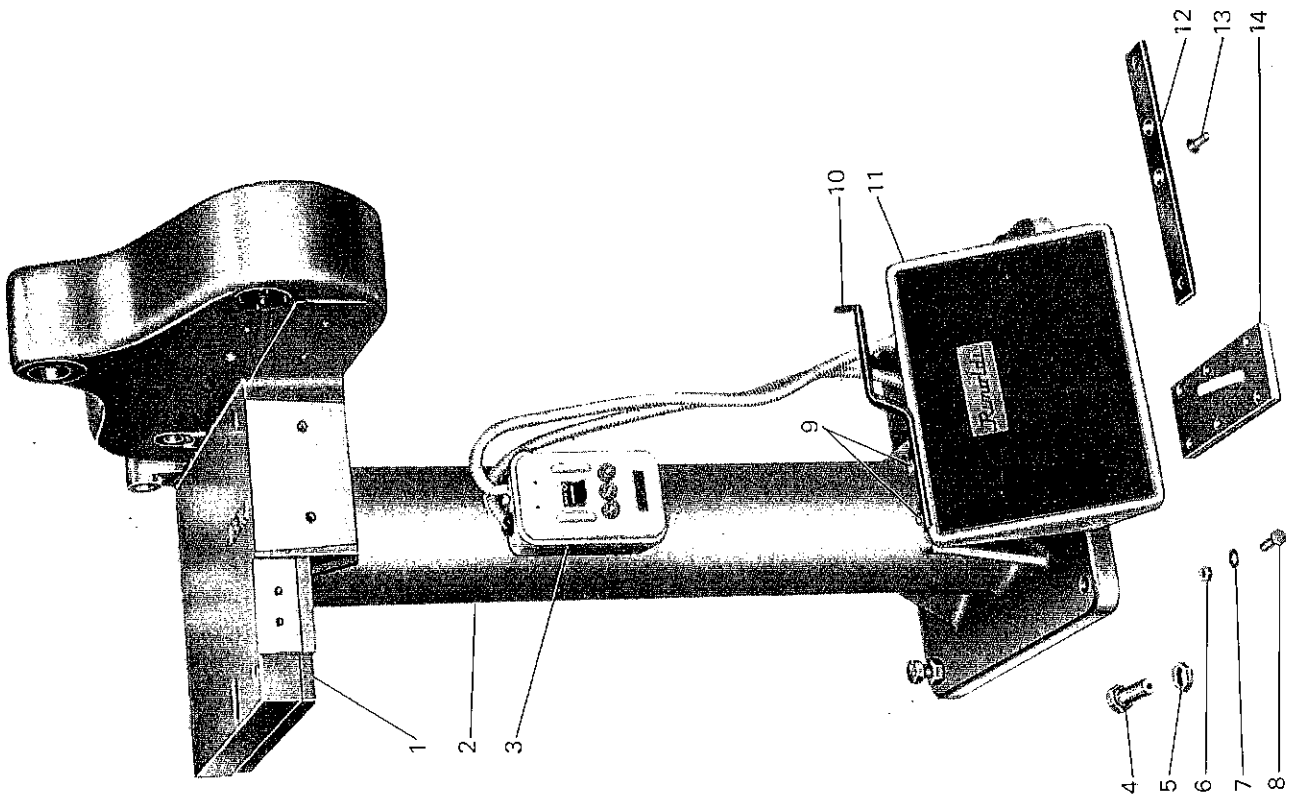


Fig. N. Abb. N.	Part. N. Bestell N. Piece N. Pieza N.	Qt. Anzahl	DESCRIZIONE	DESCRIPTION	DESCRIPTION	BENENNUNG	DESCRIPCION
1	RPS-962/2	1	testa	head	tête		
2	RPS-962/1	1	colonna	column	colonne		
3	RPS-962/7A	1	interruttore	switch	interrupteur		
4	RPS-962/005	4	vite	screw	vis		
5	RPS-962/004	4	dado	nut	écrou		
6	RPS-962/003	2	dado	nut	écrou		
7	RPS-962/6	4	rondella	washer	rondelle		
8	RPS-962/002	4	vite	screw	vis		
9	RPS-962/006	2	vite	screw	vis		
10	RPS-962/7	1	statta attacco catenella	chain coupling bracket	gâche attachement chaînette		
11	RPS-962/3	1	pedale	pedal	pédale		
12	RPS-962/4	1	staffa pedale	pedal bracket	gâche pédale		
13	RPS-962/001	2	vite	screw	vis		
14	RPS-962/5	1	supporto pedale	pedal support	support pédale		

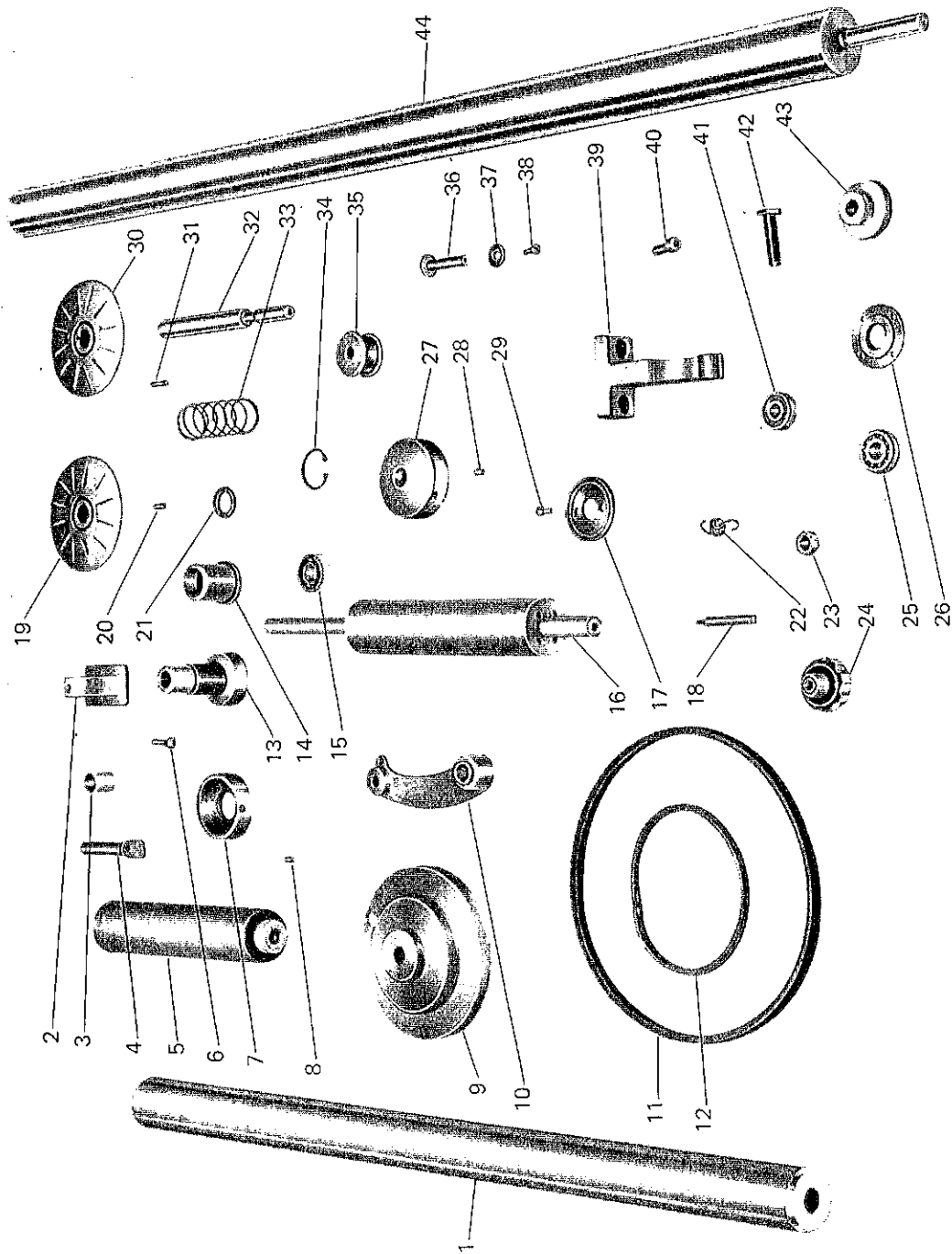


Fig. N. Abb. N.	Part. N. Bestell N. Piece N. Plaza N.	Qt. Anzahl	DESCRIZIONE	DESCRIPTION	DESCRIPTION	BENENNUNG	DESCRIPTION
1	RPS-962/8	1	semi cilindro cromato	half-cylinder	demi-cylindre chromé		
2	RPS-962/17	1	supporto posteriore	rear support	support arrière		
3	RPS-962/16	1	bushing supporto rullo post.	bushing for rear roller	coussinet pour rouleau arrière		
4	RPS-962/13	1	perno rullo posteriore	pin for rear roller	pivot pour rouleau arrière		
5	RPS-962/9	1	rullo gommatto posteriore	rear rubber roller	rouleau arrière en caoutchouc		
6	RPS-962/008	2	vite	screw	vis		
7	RPS-962/14	1	ghiera	ring nut	collier de blocage		
8	RPS-962/007	4	vite	screw	vis		
9	RPS-962/10	1	puleggia comando macchina	machine control pulley	poulie commande machine		
10	RPS-962/15	1	leva tendicinghia	belt stretcher lever	levier de tension courroie		
11	RPS-962/12	1	cinghia trapezoidale	V-belt	courroie trapézoïdale		
12	RPS-962/11	1	cinghia tonda	round belt	courroie		
13	RPS-962/18	1	ghiera regolazione velocità	ring nut	collier de blocage		
14	RPS-962/19	1	boccola filettata per ghiera	threaded bushing	bague fileté		
15	RPS-962/29	1	cuscinetto	bearing	roulement		
16	RPS-962/20	1	semi rullo inf. cromato	lower half roller	demi-rouleau inférieur		
17	RPS-962/33	1	coltello	knife	couteau		
18	RPS-962/21	1	vite tendimolla	screw for spring tension	vis tension ressort		
19	RPS-962/23	1	semi puleggia fissa	fixed half pulley	demi-poulie fixe		
20	RPS-962/009	2	vite	screw	vis		
21	RPS-962/26	1	distanziale	spacer ring	entretroise		
22	RPS-962/35	1	molla tendicinghia	belt stretcher spring	ressort tension courroie		
23	RPS-962/012	2	diado	nut	écrou		
24	RPS-962/22	1	volantino regolazione	adjustment handwheel	poignée de réglage		
25	RPS-962/37	1	cuscinetto	bearing	coussinet		
26	RPS-962/38	1	copercchio per cuscinetto	cover for bearing	couvercle pour coussinet		
27	RPS-962/32	1	volantino comando a mano	handwheel	poignée commande à main		
28	RPS-962/010	2	vite	screw	vis		
29	RPS-962/011	2	vite	screw	vis		
30	RPS-962/24	1	semi puleggia mobile	movable half pulley	demi-poulie mobile		
31	RPS-962/25	1	chiavetta per puleggia	key for pulley	clé pour poulie		
32	RPS-962/28	1	albero porta rullo post.	rear roller shaft	arbre porte rouleau arrière		
33	RPS-962/27	1	molla puleggia variabile	spring for variable pulley	ressort poulie mobile		
34	RPS-962/30	1	anello di rasamento	shim	rondelle intercalaire		
35	RPS-962/31	1	rotella tendicinghia	wheel	roulette tension courroie		
36	RPS-962/39	1	perno leva tendicinghia	pin for belt stretcher lever	pivot pour levier tension courroie		
37	RPS-962/40	1	rondella	washer	rondelle		
38	RPS-962/013	1	vite	screw	vis		
39	RPS-962/34	1	sostegno semicilindro	half cylinder support	support demi-cylindre		
40	RPS-962/014	2	vite	screw	vis		
41	RPS-962/36	2	cuscinetto	bearing	coussinet		
42	RPS-962/015	2	vite	screw	vis		
43	RPS-962/41	1	puleggia comando rullo ant.	front roller pulley	poulie rouleau avant		
44	RPS-962/42	1	rullo anteriore	front roller	rouleau avant		

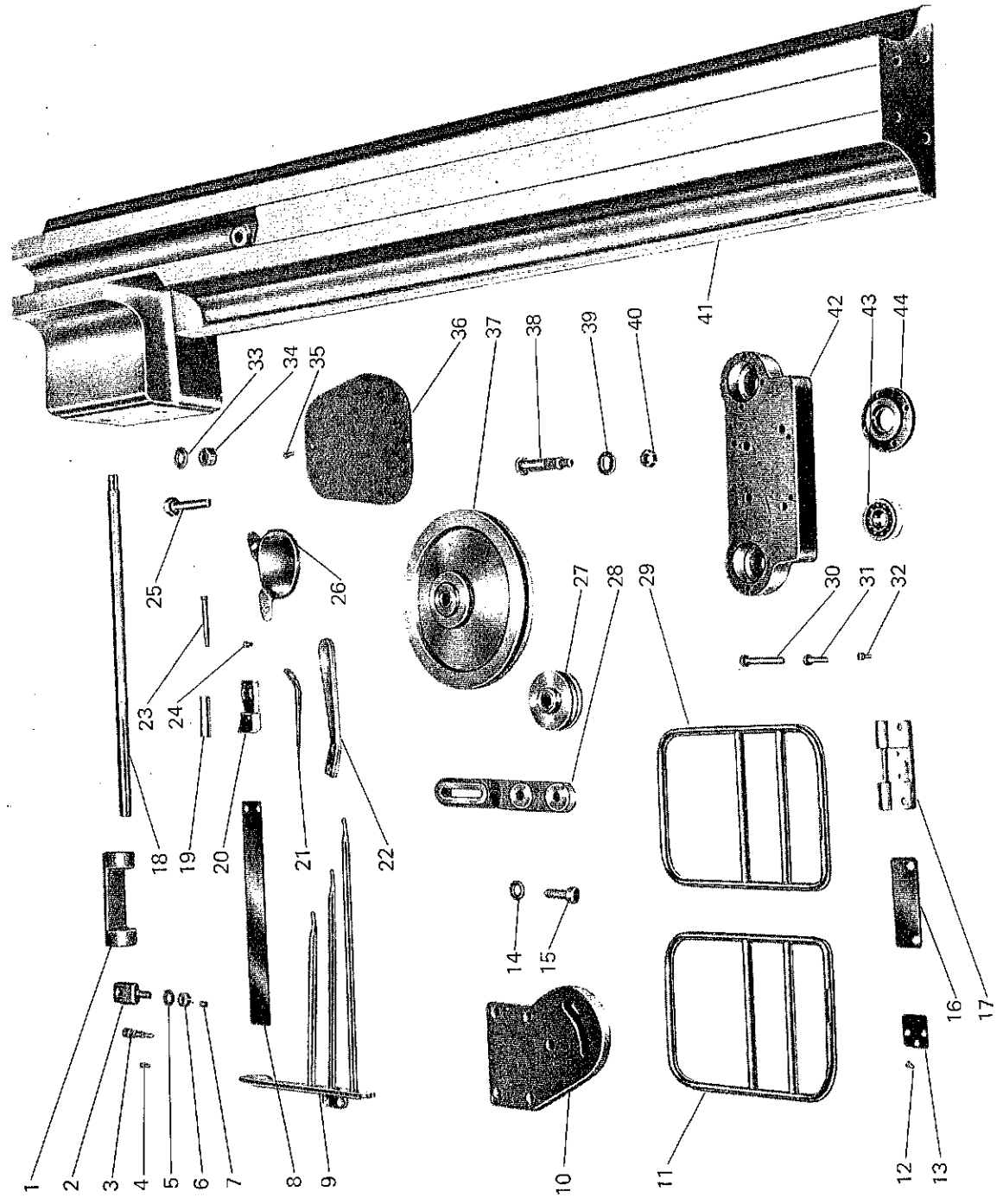


Fig. N. Abb. N.	Part. Bestell N. Piece N. Pleza N.	Qt. Anzahl	DESCRIZIONE	DESCRIPTION	DESCRIPTION	BENENNUNG	DESCRIPCION
1	RPS-962/46	1	supporto scorrevole	sliding bracket	support couissant		
2	RPS-962/44	1	supportino	bracket	support		
3	RPS-962/43	1	pomolo	knob	poignée		
4	RPS-962/016	2	vite	screw	vis		
5	RPS-962/45	1	rondella	washer	rondelle		
6	RPS-962/017	1	dado	nut	ecrou		
7	RPS-962/018	1	vite	screw	vis		
8	RPS-962/51	1	carterino supporto scorrevole	cover for sliding bracket	carter support couissant		
9	RPS-962/52	1	guida tessuto	fabric guide	guide tissu		
10	RPS-962/62	1	staffa	bracket	gâche		
11	RPS-962/65	1	telaino destro ferma pezza	right frame for fabric piece stop	bâti droit pour bloquer la pièce		
12	RPS-962/028	3	vite	screw	vis		
13	RPS-962/72	1	molla piatta	flat spring	ressort plat		
14	RPS-962/61	1	rondella	washer	rondelle		
15	RPS-962/023	1	vite	screw	vis		
16	RPS-962/71	1	lamina per cerniera	hinge sheet	plaque pour charnière		
17	RPS-962/70	1	cerniera	hinge	charnière		
18	RPS-962/47	1	asta supporto scorrevole	sliding bracket rod	barre support couissant		
19	RPS-962/48	1	rullino guida tessuto	fabric guide roller	rouleau guide tissu		
20	RPS-962/53	1	supporto rullo	roller bracket	support rouleau		
21	RPS-962/54	1	indice	pointer	indíce		
22	RPS-962/55	1	maniglia	handle	poignée		
23	RPS-962/49	1	vite per rullino	screw for roller	vis pour rouleau		
24	RPS-962/021	2	vite	screw	vis		
25	RPS-962/019	4	vite	screw	vis		
26	RPS-962/56	1	carter guida tessuto	fabric guide cover	carter guide tissu		
27	RPS-962/59	1	puleggia motore	motor pulley	poulie du moteur		
28	RPS-962/60	1	staffa per puleggia intermedia	intermediate pulley bracket	gâche poulie intermédiaire		
29	RPS-962/66	1	telaino sinistro ferma pezza	left frame for fabric piece stop	bâti gauche pour bloquer la pièce		
30	RPS-962/025	1	vite	screw	vis		
31	RPS-962/026	4	vite	screw	vis		
32	RPS-962/027	8	vite	screw	vis		
33	RPS-962/50	4	rondella	washer	rondelle		
34	RPS-962/020	4	dado	nut	ecrou		
35	RPS-962/022	2	vite piastra	screw head cover plate	vis plaque		
36	RPS-962/57	1	piastra chiusura testa	head cover plate	plaque du carter tête		
37	RPS-962/58	1	puleggia intermedia	intermediate pulley	poulie intermédiaire		
38	RPS-962/63	1	perno per puleggia intermedia	pin for intermediate pulley	pivot poulie intermédiaire		
39	RPS-962/64	1	rondella con asola	washer with slot	rondelle		
40	RPS-962/024	1	dado	nut	ecrou		
41	RPS-962/73	1	traversa	crosspiece	traverse		
42	RPS-962/67	1	staffa per traversa	bracket for crosspiece	gâche pour traverse		
43	RPS-962/68	2	cuscinetto oscillante	rocker bearing	coussinet oscillant		
44	RPS-962/69	1	coperchietto	cover	couvercle		

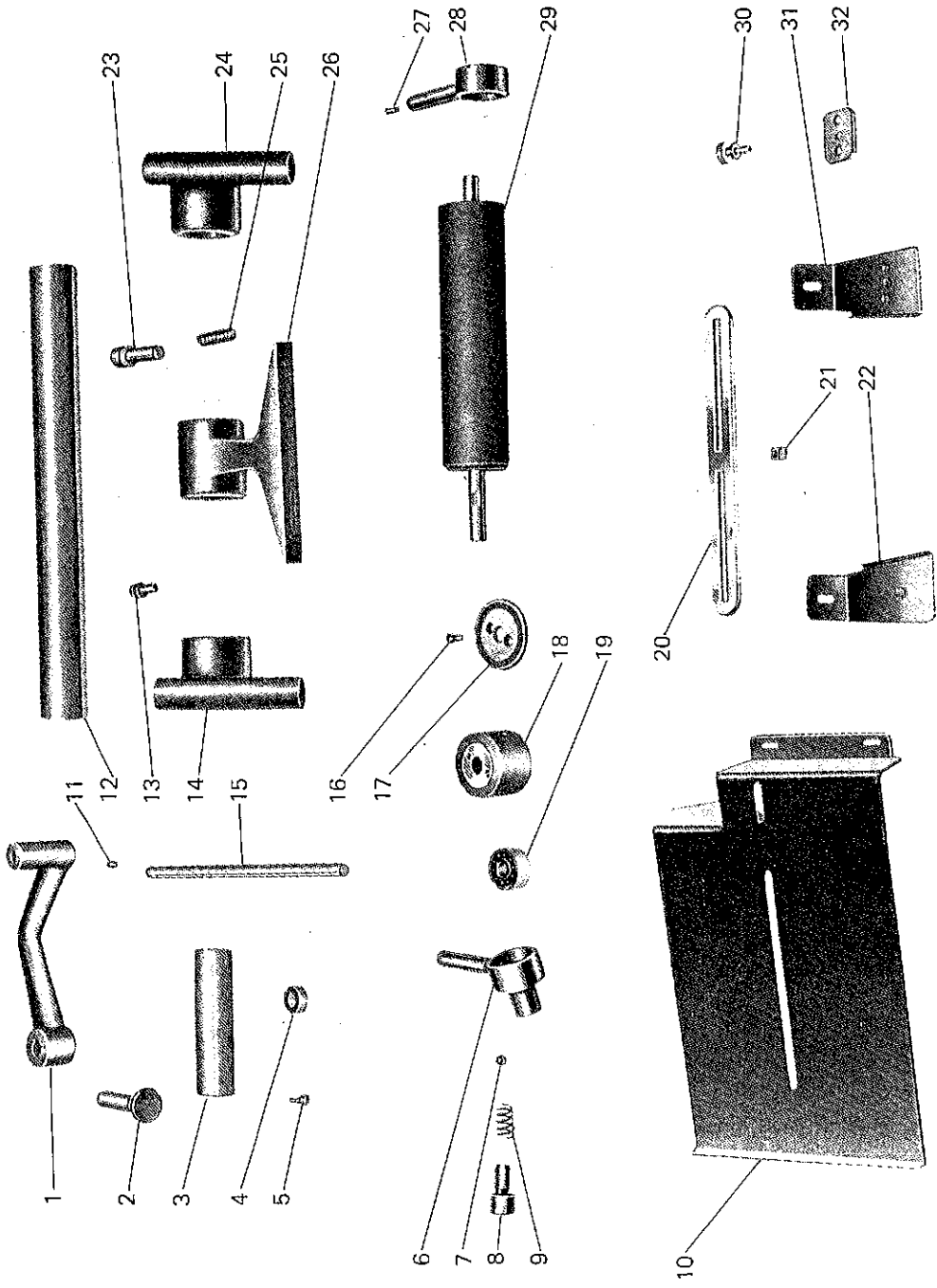


Fig. N. Abb. N.	Part. N. Bastei N. Piece N. Piaza N.	Qt. Anzahl	DESCRIZIONE	DESCRIPTION	DESCRIPTION	BENENNUNG	DESCRIPCION
1	RPS-962/74	1	leva porta rullo	roller lever	levier porte rouleau		
2	RPS-962/75	1	perno	pin	pivot		
3	RPS-962/76	1	rullo in legno	wooden roller	rouleau en bois		
4	RPS-962/77	1	anello di fermo	stop ring	anneau de serrage		
5	RPS-962/029	1	pomolo di bloccaggio	locking knob	pommeau de blocage		
6	RPS-962/86	1	supporto sinistro	left bracket	support gauche		
7	RPS-962/85	1	sfera	ball	sphère		
8	RPS-962/033	1	pomolo pressione coltello	knife pressure knob	pommeau pression couteau		
9	RPS-962/84	1	molla di pressione	pressure spring	ressort pression couteau		
10	RPS-962/92	1	scivolo	chute	toboggan		
11	RPS-962/030	1	vite	screw	vis		
12	RPS-962/79	1	cilindro	cylinder	cylindre		
13	RPS-962/031	4	vite	screw	vis		
14	RPS-962/80	1	supporto sinistro rullo	left bracket for roller	support gauche rouleau		
15	RPS-962/78	1	astina porta rullo	roller holder rod	barre porte rouleau		
16	RPS-962/034	2	vite per lama	screw for blade	vis pour lame		
17	RPS-962/89	1	coltello	knife	couteau		
18	RPS-962/88	1	rullo gommato porta lama	rubber roller	rouleau en caoutchouc porte lame		
19	RPS-962/87	2	cuscinetto oscillante	rocker bearing	cousinnet oscillant		
20	RPS-962/93	1	asta con scanalature	rod with groove	barre fendue		
21	RPS-962/96	2	corsoio	slider	coulisseau		
22	RPS-962/97	1	guida sinistra collareto	left guide for collarette	guide gauche pour collarette		
23	RPS-962/032	2	pomolo di pressione	pressure knob	pommeau de pression		
24	RPS-962/83	1	supporto destro rullo	right bracket for roller	support droit rouleau		
25	RPS-962/82	2	molla di pressione	pressure spring	ressort de pression		
26	RPS-962/81	1	supporto indice	pointer bracket	support indice gradué		
27	RPS-962/035	2	vite per guida supporto	screw for support guide	vis pour guide support		
28	RPS-962/91	1	supporto destro rullo	right bracket	support droit rouleau		
29	RPS-962/90	1	rullo gommato super.	upper rubber roller	rouleau supérieur en caoutchouc		
30	RPS-962/94	1	pomolo di bloccaggio	locking knob	pommeau de blocage		
31	RPS-962/98	4	guida destra collareto	right guide for collarette	guide droit pour collarette		
32	RPS-962/95	2	piastra bloccaggio	locking plate	plaque de blocage		

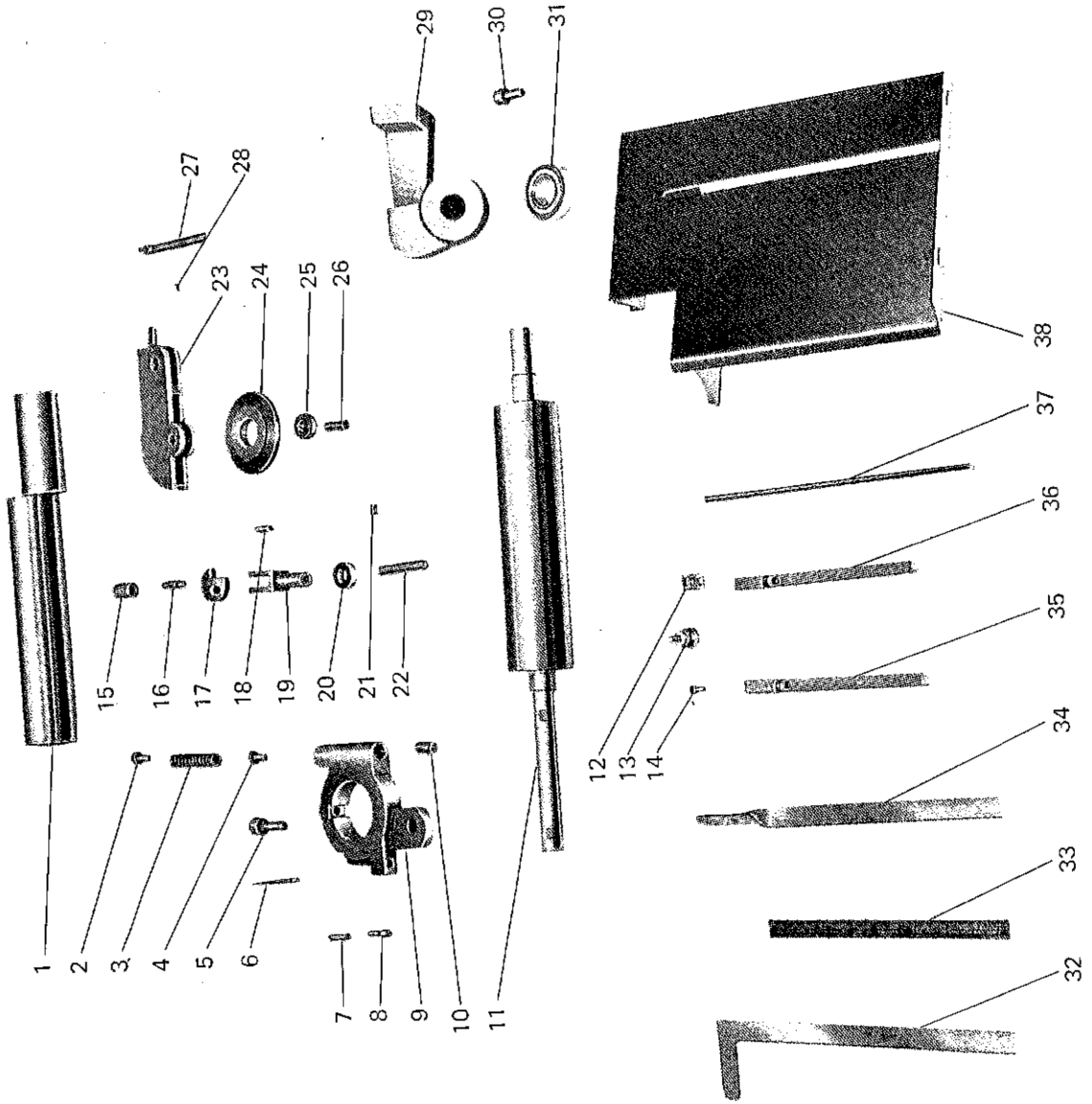


Fig. N. Abb. N.	Part. Borell N. Pieza N.	Qt. Anzahl	DESCRIZIONE	DESCRIPTION	DESCRIPTION	BENENNUNG	DESCRIPCION
1	RPS-962/99	1	cilindro eccentrico	eccentric cylinder	cylindre excentrique		
2	RPS-962/100	1	tappo per molla	plug for spring	bouchon pour ressort		
3	RPS-962/101	1	molla di pressione	pressure spring	ressort de pression		
4	RPS-962/102	1	tappo per molla	plug for spring	bouchon pour ressort		
5	RPS-962/036	1	pomolo	knob	pommeau		
6	RPS-962/105	1	indice	pointer	indice		
7	RPS-962/106	1	molla di ritorno	return spring	ressort de retour		
8	RPS-962/107	1	perno per molla	pin for spring	pivot pour ressort		
9	RPS-962/103	1	supporto scorrevole	sliding bracket	support coulissant		
10	RPS-962/104	1	perno di congiunzione	junction pin	pivot		
11	RPS-962/126	1	cilindro di contrasto	cylinder	cylindre		
12	RPS-962/133	2	cursores di bloccaggio	locking slider	coulisseau de blocage		
13	RPS-962/135	1	pomolo	knob	pommeau		
14	RPS-962/039	1	vite	screw	vis		
15	RPS-962/108	1	pomolo in bakelite	bakelite knob	pommeau en bakélite		
16	RPS-962/109	1	perno per pomolo	pin for knob	pivot pour pommeau		
17	RPS-962/110	1	eccentrico per abbassare il coltello	cam for lowering knife	came pour abaissement couteau		
18	RPS-962/112	1	perno per eccentrico	pin for cam	pivot pour came		
19	RPS-962/111	1	supporto per eccentrico	bracket for cam	support pour came		
20	RPS-962/117	1	ghiera di bloccaggio	ring nut	collier de serrage		
21	RPS-962/119	1	nulla	roller	rouleau		
22	RPS-962/118	1	astina porta nulla	roller holder rod	tige porte rouleau		
23	RPS-962/120	1	supporto coltello	knife bracket	support couteau		
24	RPS-962/121	1	coltello	knife	couteau		
25	RPS-962/122	1	cuscinetto per coltello	bearing for knife	coussinet pour couteau		
26	RPS-962/123	1	perno per cuscinetto	pin for bearing	pivot pour coussinet		
27	RPS-962/124	1	separator per collaretti	separator for collarette	séparateur pour collarette		
28	RPS-962/037	1	vite	screw	vis		
29	RPS-962/125	1	supporto cuscinetto	bearing bracket	support coussinet		
30	RPS-962/038	2	vite	screw	vis		
31	RPS-962/127	1	cuscinetto	bearing	coussinet		
32	RPS-962/128	1	astina posteriore	rear rod	barre arrière		
33	RPS-962/129	1	righello	rule	règle		
34	RPS-962/130	2	astina anteriore	front rod	barre avant		
35	RPS-962/131	1	guida sinistra collaretti	left guide for collarette	guide gauche collarette		
36	RPS-962/132	1	guida destra collaretti	right guide for collarette	guide de droite collarette		
37	RPS-962/132A	1	astina per guida	rod for guides	tige pour guides		
38	RPS-962/136	1	scivolo	chute	toboggan		

S.p.A. VIRGINIO RIMOLDI & C.

UFFICIO CATALOGHI
CAT. N. 652892000