

**Rimoldi**<sup>®</sup> by **GF**<sup>®</sup>

QUALITY RECOGNIZED WORLDWIDE AT VERY COMPETITIVE PRICES

**184-00-2CA-01**

**184-00-2CA-03    184-00-2CA-11**

**184-00-3CA-01    184-00-3CA-11**

CATALOGO PEZZI DI RICAMBIO  
SPARE PARTS CATALOGUE

N 711





Il presente Catalogo Pezzi di Ricambio è costituito da due parti: la prima, definita "Catalogo base", comprende i particolari montati sulla testa 184-00-2CA-01; la seconda comprende tutti i particolari delle altre teste basi o derivate, che differiscono da quelle del Catalogo base.

Nella consultazione del Catalogo tenere presente che:

1. Tutti i particolari non fornibili sciolti non vengono richiamati singolarmente, ma soltanto illustrati nel gruppo d'appartenenza.
2. I riferimenti delle figure dei particolari che compongono il gruppo sono di norma raggruppati in una parentesi. In alcuni casi però, dove non è possibile il raggruppamento, i numeri che nelle tavole illustrative richiamano i singoli pezzi sono affiancati dallo stesso segno particolare, con cui è indicato l'intero gruppo.
3. Sulle tavole relative alle altre teste sono elencati tutti i particolari diversi o non montati sulla testa del Catalogo base. Dette tavole portano in alto a destra il simbolo della testa cui si riferiscono (con indicato fra parentesi - nel caso di derivata - il simbolo della testa da cui deriva). I disegni di questo gruppo di tavole illustrano solo i pezzi nuovi o sostanzialmente diversi rispetto a quelli montati sulla testa più significativa del Catalogo. I particolari richiamati come simbolo, ma non illustrati, conservano lo stesso numero di figura dei corrispondenti raffigurati sul Catalogo base. I particolari comuni a tutte le teste comprese nel Catalogo, vengono richiamati soltanto nel primo gruppo di tavole. I particolari definiti come "pezzi annullati" si intendono quelli non montati sulla testa a cui la tavola si riferisce. Nel caso di un gruppo annullato, viene indicato soltanto il simbolo del gruppo, ma devono intendersi annullati anche tutti i particolari componenti il gruppo stesso. Per ogni testa viene sempre riportata interamente la tavola relativa agli organi di cucitura.

Per facilitare la ricerca viene riportato l'indice numerico di tutti i particolari illustrati sul Catalogo base, con la relativa tavola in cui gli stessi sono richiamati.

#### AGHI

Gli aghi sono contraddistinti dal sistema e dalla finezza, la quale indica il diametro medio espresso in centesimi di millimetro.

Il sistema dell'ago e la finezza sono marcati oltre che sulla busta, anche sull'ago stesso.

Nelle ordinazioni precisare, oltre il simbolo, il sistema e la finezza degli aghi desiderati. In caso di dubbio, allegare, un ago campione o una bustina vuota.

#### AVVERTENZA

Nella richiesta di parti di ricambio citare sempre il relativo numero di matricola della macchina, il simbolo del particolare e la denominazione ufficiale usata sul catalogo.

This spare parts catalogue is made up of two parts: in the first one, called "basic catalogue", all the details of 184-00-2CA-01 head; the second one includes the details of the other main heads or derived ones, which are different from that of the basic catalogue.

When you consult the catalogue will you please note that:

1. all parts which cannot be supplied by themselves are not indicated alone, but shown together with the group to which they belong;
2. the references of the pictures of the parts making up the group are usually put in brackets. In some cases, however, when their grouping is not possible, the numbers of the various parts in the tables are marked with the same particular sign with which the whole group is indicated;
3. in the tables of the other heads there are listed all the parts not fitted on the head in the basic catalogue.  
These tables are marked at the top right-hand corner with the symbol of the head which the table refers to.  
The drawings in this group of tables show only the parts which are new or basically different from those fitted on the most representative head in the catalogue.  
The parts which are represented only by the symbol but not illustrated keep the same figure number as the corresponding parts shown in the basic catalogue.  
The parts which are common to all the heads in the catalogue are listed only in the first group of tables.  
Parts marked "annulled part" are those not fitted on the head which the table refers to. When an assembly has been annulled only the assembly symbol is specified, but all the parts forming the assembly must also be considered annulled.  
For each head the table for sewing parts is always repeated completely.

To make it easier to locate the parts, the reference numbers of all of those shown in the basic catalogue are listed together with the number of the table in which they are to be found.

#### NEEDLES

The needles are marked with system and size; the size indicates the average diameter in hundredths of a millimeter.

The system and size of the needle are shown on the packet as well as on the needle itself. When ordering please state symbol, system and size. If you have doubts, enclose a sample needle or an empty packet with your order.

#### ATTENTION

When ordering spare parts always state the serial number of the machine, the symbol of the part in question and the description given in the catalogue.

Ce catalogue "pièces détachées" est formé de deux parties: la première appelée "catalogue base" comprend toutes les pièces montées sur la tête 184-00-2CA-01; la seconde comprend toutes les pièces montées sur les autres têtes de base ou dérivées qui sont différentes de celle du "catalogue base".

Lorsque l'on consulte le catalogue, se souvenir que:

1. Toutes les pièces qui ne sont pas fournies séparément mais qui font partie d'un groupe, ne sont pas indiquées séparément.
2. Les symboles des pièces qui forment un groupe sont regroupés entre parenthèses. Cependant, lorsque ceci n'a pas été possible, les symboles, qui dans les tables d'illustration correspondent aux pièces, sont suivis du même signe particulier qui indique le groupe tout entier.
3. Dans les tables relatives aux autres têtes, nous avons indiqué toutes les pièces différentes de celles de tête du "catalogue base" ou qui ne sont pas montées sur ces dernières. Ces tables portent, en haut à droite, le symbole des têtes auxquelles elles se réfèrent (pour les dérivées, le symbole de la tête de laquelle elles dérivent est indiqué entre parenthèses).  
Les dessins de ce groupe de tables représentent seulement les nouvelles pièces ou celles qui sont différentes des pièces montées sur la tête la plus significative du catalogue. Les pièces indiquées par un symbole, mais qui ne sont pas illustrées, gardent le même numéro de dessin que celles correspondantes, illustrées sur le catalogue base. Les pièces communes à toutes les têtes du catalogue, sont indiquées seulement dans le premier groupe de tables.  
Les pièces définies comme "pièces annulées" sont celles qui ne sont pas montées sur la tête à laquelle se réfère la table. Dans le cas de l'annulation d'un groupe, nous indiquons seulement le symbole du groupe, mais toutes les pièces qui forment ce groupe sont annulées.  
Pour chaque tête est toujours indiquée la table se référant aux organes de couture.

Pour faciliter la recherche, le catalogue renferme l'index numérique de toutes les pièces illustrées avec indication de la table dans laquelle elles sont indiquées.

#### AIGUILLES

Les aiguilles se différencient par le système et la grosseur, laquelle indique le diamètre moyen exprimé en centièmes de millimètre.

Le système de l'aiguille et sa grosseur, sont indiqués non seulement sur le sachet mais également sur l'aiguille.

Dans la commande, préciser, en plus du symbole, le système et la grosseur des aiguilles désirées. En cas de doute, joindre une aiguille comme modèle ou un sachet vide.

#### ATTENTION

Dans la commande de pièces détachées, indiquer toujours le numéro de la machine, le symbole de la pièce et la dénomination officielle mentionnée sur le catalogue.

INDICE - INDEX

SIMB.	TAV.	SIMB.	TAV.	SIMB.	TAV.	SIMB.	TAV.	SIMB.	TAV.
351573-6-00	3	704314-2-00	4-5	727098-0-00	14	788021-0-01	3	991412-0-00	12
351623-2-00	3	704345-2-00	13	729013-2-00	3-5-6-8-9	790325-0-00	11	991413-4-00	12
351624-0-01	3	704409-2-00	7	729024-2-00	4-6-7-9	790345-0-00	11	991512-0-00	12
351625-0-00	3	704424-2-00	13	729032-2-00	3-4-5	790346-0-00	11	992006-2-10	14
351626-0-00	3	704530-2-00	7	729034-2-00	8	790606-0-00	11	992009-2-00	14
351627-0-00	3	704608-0-00	2	729042-2-00	17-19	790638-0-00	11	992010-5-21	14
351628-0-00	3	704813-0-00	9-11	729051-2-00	4	902021-0-10	13	992020-0-01	12
351631-0-00	3	704825-0-00	4	729054-2-00	14	902041-0-00	13	994640-0-00	14
351632-0-00	3	704828-0-00	5	729083-2-00	8	902042-0-00	13		
351641-0-00	2	704838-0-00	8	729250-0-00	11	902043-2-00	13		
351644-0-00	2	704841-0-00	4	729445-2-00	14	902044-0-00	13		
351645-0-01	2	705029-0-00	5	730011-2-00	4-9	902045-0-00	13		
351646-0-00	2	705030-0-00	9	730022-2-00	2-8	902046-0-00	13		
351647-0-00	2	705201-0-00	2	730033-2-00	6-8	902056-4-10	13		
351650-4-01	2	705230-0-00	8	730034-2-00	6-7	902057-0-00	13		
351651-0-00	2	705915-0-00	1	733008-2-00	13	902059-0-00	13		
351655-0-00	2	705970-0-00	3	733211-2-00	14	902064-0-00	13		
351678-3-00	6	705997-0-00	1	733504-2-00	15-16-18	902065-0-00	13		
351717-0-00	3	706222-0-00	5	733507-2-00	4-11	902066-4-00	13		
351718-0-00	3	706431-0-00	2	733508-2-00	14	925765-0-00	13		
351720-0-10	3	706434-0-00	1	740210-2-00	5	927286-0-00	13		
351721-0-00	3	706454-0-00	1	740226-0-00	8	941500-4-00	11		
351728-0-00	1	720471-0-00	9	740250-2-00	2	941516-4-00	11		
351730-0-00	5	720485-2-00	7	741355-2-00	4	941522-2-00	11		
351732-2-01	2	721433-2-00	17-19	741405-0-00	3	990069-0-00	12		
351736-0-10	2	721444-2-00	2-11	741413-2-00	2	990175-0-10	12		
351738-0-01	2	721464-2-00	10	741433-2-00	2	990176-0-10	12		
351739-0-01	2	721484-2-00	7-10	741485-0-00	5	990188-0-10	12		
351740-0-00	10	722089-2-00	4	741519-2-00	2	990223-0-02	12		
351741-0-01	3	722153-2-00	11	741552-0-00	5	990310-0-10	8-13		
351742-0-01	3	722400-2-00	4	741558-0-00	5	990311-0-10	8-13		
700008-0-00	4-7	722410-2-00	9	741579-0-00	5	990314-0-10	13		
700010-0-00	8	722411-2-00	3-5	741655-2-00	2	990325-0-10	12		
700205-0-00	813	722421-2-00	3-8-11	741781-2-00	15-16-18	990335-0-10	10		
700207-0-00	4-5	722431-2-00	5	741933-0-00	2-3	990474-0-11	12		
700211-0-00	17-19	722432-2-00	1-3	741936-2-00	3	990718-0-00	12		
700570-0-00	1	722433-2-00	13	742027-0-00	3	990801-0-00	17-19		
700621-0-00	1	722441-2-00	7	742039-2-00	2	990808-0-01	15-16-18		
701002-0-00	4	722442-2-00	1-7-11	743243-2-00	5	990982-0-00	13		
701004-0-00	4-5-11	722444-2-00	7	744332-2-00	4	991112-0-00	14		
701005-0-00	4-10	722452-2-00	10	744334-2-00	4	991179-0-00	14		
701007-0-00	1-8	722463-2-00	7	745349-0-00	13	991342-0-00	14		
701015-0-00	10	722464-2-00	14	745810-2-00	9	991349-0-00	13		
701051-0-00	10	722472-2-00	3	745812-2-00	2-3-5-8-9-17-19	991369-2-10	14		
701110-0-00	6	722484-2-00	7	745827-2-00	8	991372-2-10	14		
701113-0-00	4	722541-2-00	11	746002-2-00	2	991373-2-10	14		
701136-0-00	5	722682-2-00	1	746007-2-00	17-19	991374-0-10	14		
703010-0-00	14	722772-2-00	1	746008-0-00	13	991375-0-10	14		
704017-2-00	14	722811-2-00	13	746203-4-00	4	991376-0-10	14		
704210-4-00	9	724430-2-00	2	746402-2-00	8-13	991377-0-01	14		
704232-2-00	7	724462-2-00	6	746409-2-00	13	991382-0-10	14		
704305-0-00	9-17-19	727046-0-00	6	766200-6-80	9	991383-0-10	14		

INDICE - INDEX

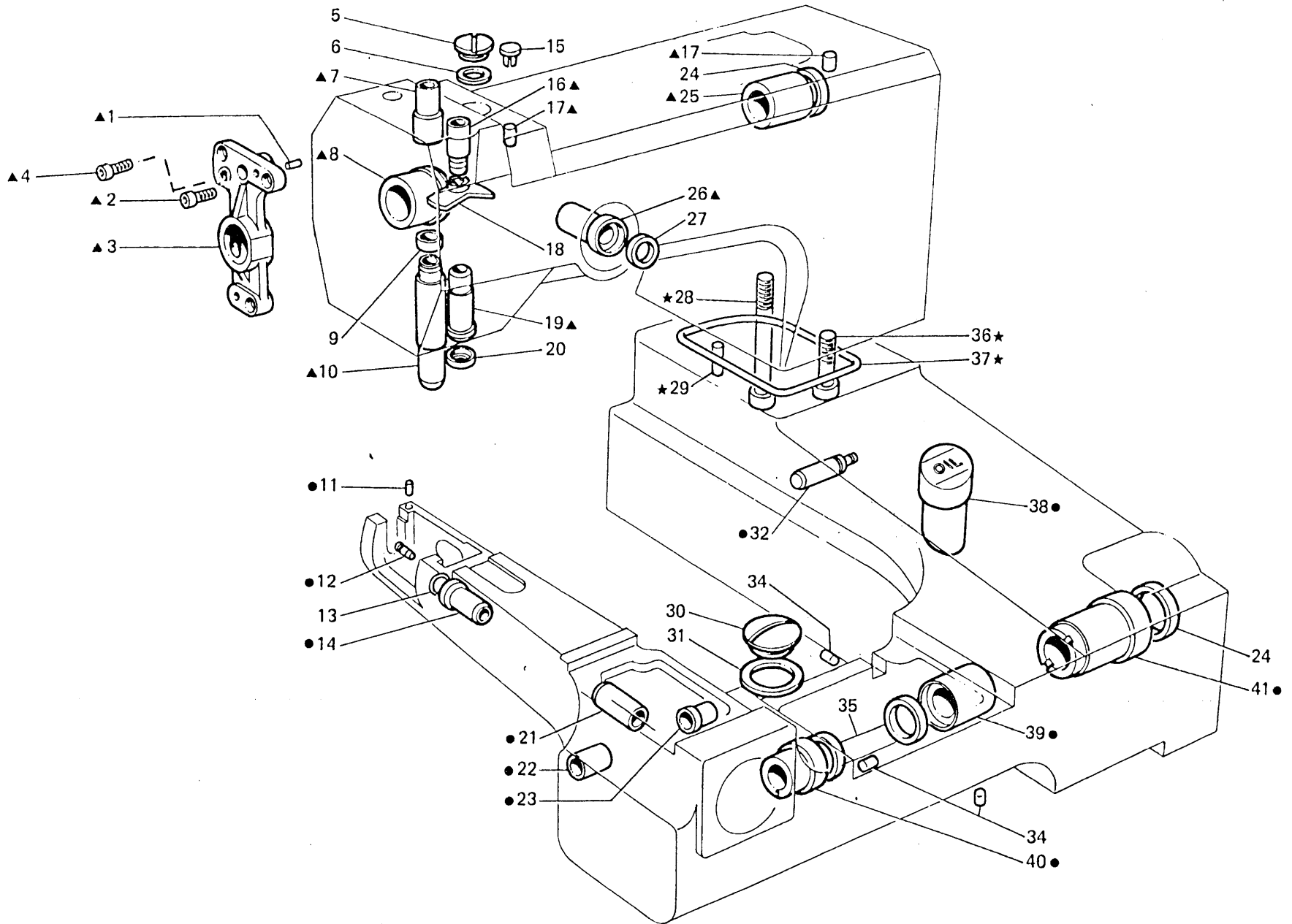
SIMB.	TAV.	SIMB.	TAV.	SIMB.	TAV.	SIMB.	TAV.	SIMB.	TAV.
100339-0-11	6	308518-4-00	3	351096-0-00	9	351291-2-00	9	351418-0-00	6-9
100960-0-00	11	309562-0-00	9	351097-2-00	9	351310-0-00	4	351419-0-00	6-9
101181-0-10	3	309600-0-00	17-19	351098-2-00	3	351320-0-00	4	351430-0-01	7
200199-0-10	3	309603-0-00	17-19	351099-0-01	3	351321-0-00	4	351431-2-00	7
200324-0-10	2	309604-0-00	17-19	351100-3-00	18	351322-0-00	4	351432-0-00	7
200710-0-10	3	309605-0-00	17-19	351101-0-00	18-19	351323-0-00	4	351433-0-00	7
200876-0-10	1	309609-0-00	17-19	351102-0-00	18-19	351324-0-00	4	351435-0-00	7
202165-0-10	3	309611-0-00	17-19	351103-0-00	18-19	351325-0-00	4	351436-0-00	7
202229-0-11	3	311015-4-02	4	351104-0-00	18-19	351326-0-00	4	351437-4-00	7
202398-0-10	1	311018-0-00	4	351105-3-00	19	351327-0-00	4	351438-2-00	7
202473-0-11	4	311061-2-00	6-9	351126-0-00	8	351328-0-00	4	351439-0-00	7
202489-0-10	4	311068-0-00	4	351127-2-01	8	351330-0-00	4	351445-0-00	7
202556-0-00	3	311069-0-00	5	351130-0-10	8	351331-2-01	4	351446-0-00	7
202558-2-00	3	311187-0-00	4	351131-0-10	1	351332-0-00	4	351447-0-00	7
206437-0-00	11	321206-0-00	10	351133-0-00	1	351334-0-00	4	351448-0-00	7
206545-0-00	10	350007-2-01	5	351134-3-00	1	351335-2-00	4	351451-3-00	7
206559-0-01	10	350017-0-01	1	351137-2-01	8	351337-2-00	4	351452-3-00	7
206560-0-10	10	350056-0-00	11	351138-0-10	8	351343-0-00	4	351453-0-00	7
206603-0-11	4	350066-0-00	9	351139-2-01	8	351344-0-00	1	351454-0-00	7
206606-2-00	5-9	350113-0-00	3	351140-0-31	8	351345-0-00	1	351455-4-00	7
206689-0-00	6	350158-0-01	5	351141-2-10	8	351347-2-01	4	351456-0-00	7
206752-0-00	10	350159-2-00	6	351142-0-10	8	351349-0-00	4	351457-2-21	7
206753-0-00	10	350184-2-10	3	351143-0-01	8	351368-0-00	3	351459-2-00	7
206872-0-00	4	350363-0-00	6	351144-2-00	8	351369-0-00	3	351470-2-00	6
207973-0-01	3	350641-2-00	4	351145-2-10	8	351370-0-00	1	351471-4-10	11
300006-0-20	3	350649-0-01	18-19	351146-0-00	1-8	351375-2-00	5	351479-4-10	11
300120-0-10	16	350650-0-01	18-19	351150-0-00	17-19	351376-0-11	5	351486-0-00	11
300218-0-10	3	350741-2-00	18-19	351152-0-00	8-17-19	351377-0-00	5	351487-0-10	11
300483-0-10	6	350785-0-10	3	351153-0-00	17-19	351378-0-00	5	351488-0-10	11
301586-0-10	9	351003-0-01	10	351154-2-00	17-19	351379-0-00	5	351490-0-10	11
301596-0-11	16	351005-4-00	10	351155-0-00	17-19	351380-2-00	5	351491-0-00	10
301598-0-11	16	351007-3-00	1	351156-0-00	8-17-19	351381-0-01	5	351495-0-00	1-11
302019-0-10	4	351012-3-00	1	351161-0-10	15-16-18-19	351382-0-00	1	351509-0-00	11
302062-0-10	1	351017-3-00	1	351163-0-00	18-19	351383-0-00	1	351510-0-00	11
302166-0-10	2	351052-2-00	9	351184-0-00	15	351384-0-00	5	351511-0-00	11
302168-2-10	1	351058-0-00	10	351185-0-00	16	351386-2-00	5	351512-0-00	11
302172-0-10	2	351059-0-00	1	351198-0-00	16	351389-0-01	5	351546-0-00	7
303899-2-11	5-8-9	351060-0-10	9	351199-0-00	15	351392-0-10	5	351548-0-00	1
304172-0-10	5	351062-0-00	9	351217-3-00	17	351393-2-02	5	351549-0-00	3
304195-0-10	5	351063-0-00	9	351218-3-00	16	351396-0-00	5	351550-0-00	3
304662-0-10	3	351064-2-00	9	351219-3-00	15	351397-0-00	5	351551-2-00	2
304787-0-10	8	351069-2-00	9	351242-0-00	16	351398-2-01	5	351552-0-00	2
305544-0-00	15-17-18-19	351070-0-00	1	351243-0-00	16	351400-0-00	3	351553-0-01	3
308037-0-01	9	351071-0-00	1	351257-0-00	15-18	351401-0-00	3	351557-4-00	2
308039-0-01	9	351072-0-00	9	351258-0-01	15-17-18-19	351402-0-00	6	351558-2-00	8
308119-0-00	1	351073-2-10	9	351259-0-02	15-17-18-19	351403-2-10	6	351559-0-10	3
308201-0-02	2	351074-0-01	9	351260-0-00	15-17-18-19	351412-0-01	4	351561-2-02	9
308207-0-00	11	351076-0-00	1	351261-0-01	5	351413-0-00	1	351564-0-00	9
308218-0-00	1	351084-2-01	9	351262-0-01	5	351414-0-00	6	351565-0-00	2
308503-0-01	3	351093-2-02	1	351263-0-00	15-17	351415-0-00	6	351566-0-00	2
308505-0-00	3	351094-0-00	1	351264-0-00	15-17	351416-0-00	1	351568-0-00	2
308507-0-00	3	351095-0-01	1	351265-0-00	17-19	351417-0-01	1	351570-4-00	3

**SOMMARIO - SUMMARY - SOMMAIRE**

<b>TAV. N.</b>	<b>DESCRIZIONE</b>	<b>DESCRIPTION</b>	<b>DESCRIPTION</b>
1	BASE E BRACCIO CON BUSSOLE	BASE AND ARM WITH BUSHES	BASE ET BRAS AVEC BAGUES
2	PASSAFILI E GRUPPI TENSIONI	THREAD GUIDE AND TENSION ASS.	PASSE-FILS ET GROUPE TENSIONS
3	COPERCHI E TENSIONI AGHI	COVERS AND NEEDLES TENSIONS	COUVERCLE ET TENSIONS AIGUILLES
4	CINEMATISMO TRASPORTO	TRANSPORT CONTROL	CINEMATISME TRANSPORT
5	CINEMATISMO CROCHET INFERIORE	LOWER LOOPER CONTROL	CINEMATISME CROCHET INFERIOR
6	ALBERO INFERIORE	LOWER SHAFT	ARBRE INFERIEUR
7	TRASMISSIONE ALBERI PRINCIPALI	MAIN SHAFTS TRANSMISSION	TRANSMISSION ARBRE PRINCIPALS
8	MOVIMENTO PREMISTOFFA	PRESSER CONTROL	MOUVEMENT PRESSEUR
9	CINEMATISMO BARRA AGO	NEEDLE BAR CONTROL	CINEMATISME BARRE AIGUILLE
10	BACINELLA OLIO	OIL SUMP	RESERVOIR
11	LUBRIFICAZIONE E POMPA OLIO	LUBRICATION AND OIL SUMP	LUBRIFICATION ET POMPE A HUILE
12	ACCESSORI IN DOTAZIONE	AUXILIARY EQUIPMENT	ACCESSOIRES EN DOTATION
13	PIASTRA FISSAGGIO TESTA	HEAD HOLDER PLATE	PLAQUE PORTE-TETE
14	PORTA BOBINE	BOBBINS CARRIER	PORTE BOBINES
15	TESTA 184-00-2CA-01	184-00-2CA-01 HEAD	TETE 184-00-2CA-01
16	TESTA 184-00-2CA-03	184-00-2CA-03 HEAD	TETE 184-00-2CA-03
17	TESTA 184-00-2CA-11	184-00-2CA-11 HEAD	TETE 184-00-2CA-11
18	TESTA 184-00-3CA-01	184-00-3CA-01 HEAD	TETE 184-00-3CA-01
19	TESTA 184-00-3CA-11	184-00-3CA-11 HEAD	TETE 184-00-3CA-11

# Rim® TAV. 1

Fig. N.	Part. N. Piece N.	Qt.
★	351017-3-00	1
▲	351012-3-00	1
●	351007-3-00	1
1	706454-0-00	2
2	722442-2-00	3
3	351093-2-02	1
4	722432-2-00	1
5	200876-0-10	1
6	705915-0-00	1
7	351131-0-10	1
8	351094-0-00	1
9	351134-3-00	1
10	351133-0-00	1
11	706434-0-00	1
13	701007-0-00	1
14	351382-0-00	1
15	202398-0-10	2
16	351070-0-00	1
17	351548-0-00	2
18	351076-0-00	1
19	351071-0-00	1
20	308218-0-00	1
21	351383-0-00	1
22	351345-0-00	1
23	351344-0-00	1
24	700621-0-00	2
25	351095-0-01	1
26	350017-0-01	1
27	308119-0-00	1
28	722772-2-00	1
29	302062-0-10	2
30	351370-0-00	1
31	705997-0-00	1
32	351146-0-00	1
34	351728-0-00	3
35	700570-0-00	2
36	722682-2-00	3
37	351059-0-00	1
38	351495-0-00	1
39	351416-0-00	1
40	351413-0-00	1
41	351417-0-01	1





# Rim® TAV.2

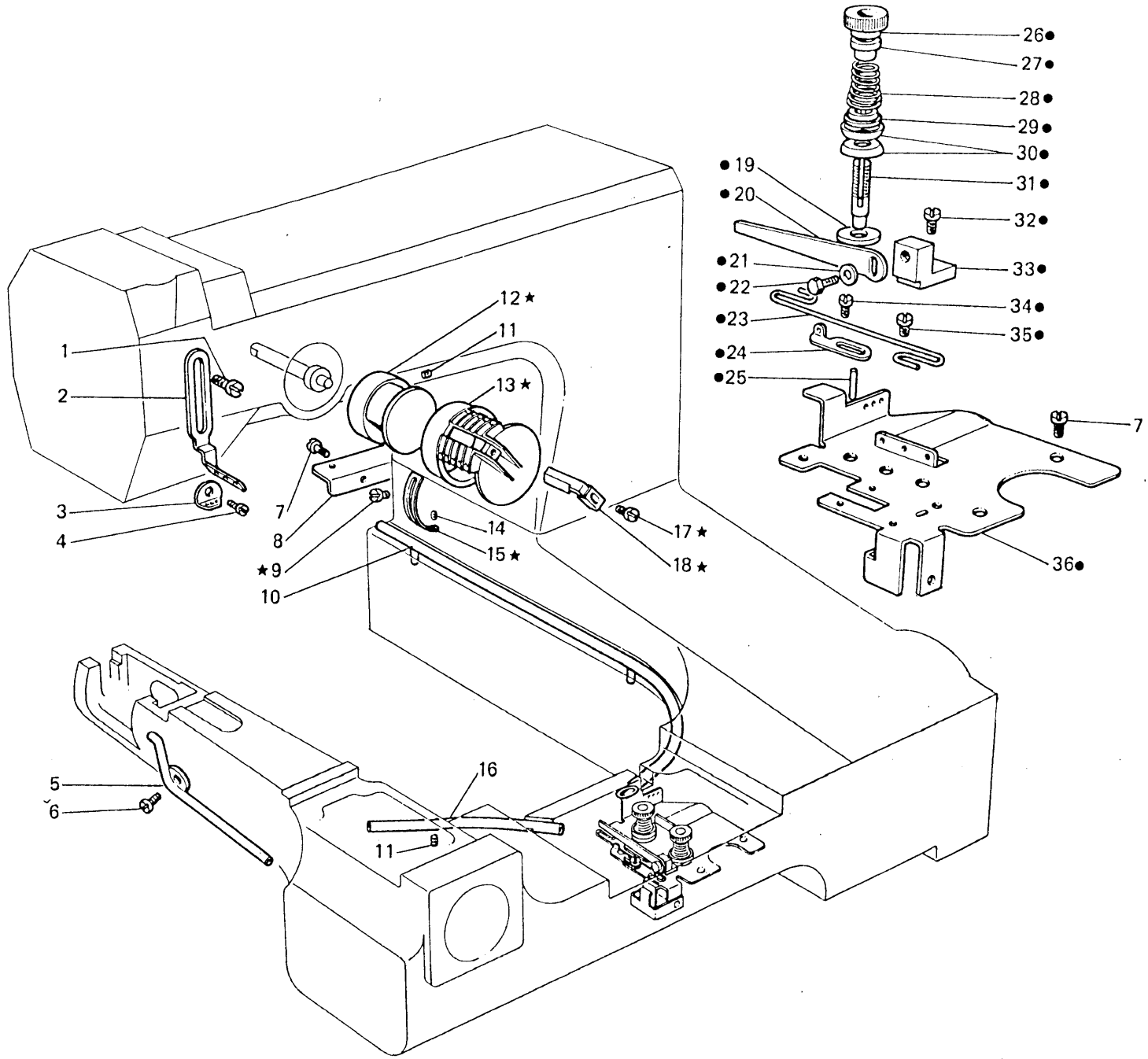
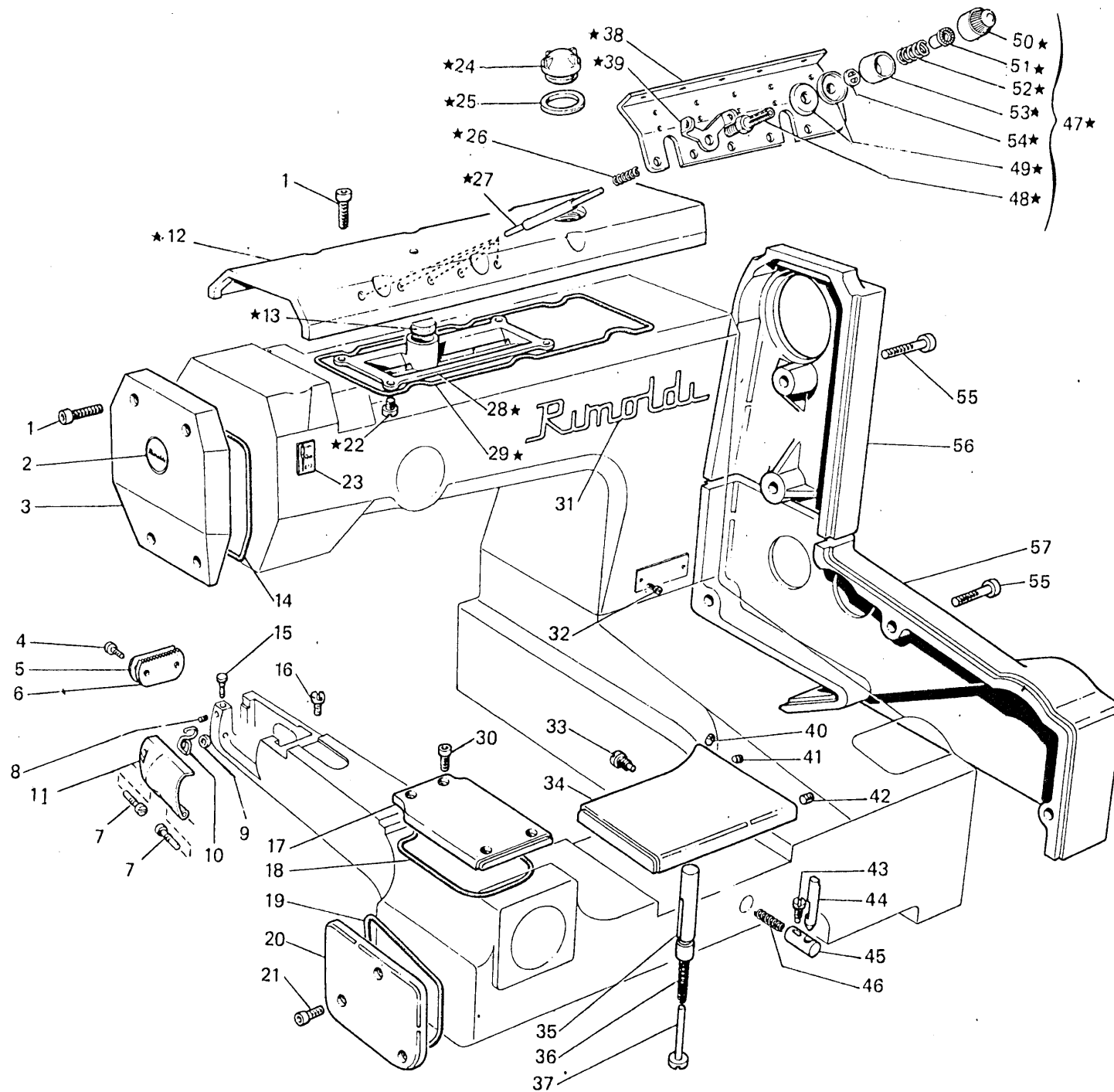


Fig. N.	Part. N. Piece N.	Qt.
★	351557-4-00	1
●	351650-4-01	1
1	742039-2-00	1
2	351568-0-00	1
3	724430-2-00	1
4	308201-0-02	1
5	351732-2-01	1
6	741933-0-00	1
7	721444-2-00	4
8	351738-0-01	1
9	741433-2-00	4
10	351736-0-10	1
11	745812-2-00	3
12	351551-2-00	1
13	351565-0-00	1
14	730022-2-00	1
15	351566-0-00	4
16	351739-0-01	1
17	741655-2-00	1
18	351552-0-00	1
19	704608-0-00	2
20	302166-0-10	1
21	705201-0-00	1
22	740250-2-00	1
23	351655-0-00	1
24	302172-0-10	2
25	706431-0-00	2
26	351647-0-00	2
27	351646-0-00	2
28	351645-0-01	2
29	351644-0-00	2
30	200324-0-10	4
31	351641-0-00	2
32	741655-2-00	1
33	302168-2-10	1
34	741413-2-00	2
35	741519-2-00	2
36	351651-0-00	1
37	746002-2-00	1

# Rim® TAV.3

Fig. N.	Part. N. Piece N.	Qt.
★	351570-4-00	1
1	722432-2-00	10
2	304662-0-10	1
3	351098-2-00	1
4	742027-0-00	2
5	351718-0-00	1
6	351717-0-00	1
7	351721-0-00	2
8	745812-2-00	1
9	741405-0-00	1
10	350785-0-10	1
11	350184-2-10	1
12	351573-6-00	1
13	351549-0-00	1
14	351099-0-01	1
15	351720-0-10	1
16	741936-2-00	2
17	351369-0-00	1
18	351368-0-00	1
19	351400-0-00	1
20	351401-0-00	1
21	722421-2-00	3
22	741933-0-00	4
23	788021-0-01	1
24	207973-0-01	1
25	705970-0-00	1
26	200199-0-10	2
27	351559-0-10	2
28	351550-0-00	1
29	351553-0-01	1
30	722411-2-00	4
31	300006-0-20	2
32	202165-0-10	2
33	351625-0-00	1
34	351623-2-00	1
35	351624-0-01	1
36	351626-0-00	1
37	351627-0-00	1
38	350113-0-00	4
39	308503-0-01	2
40	729013-2-00	2
42	729032-2-00	1
43	351632-0-00	1
44	351628-0-00	1
45	351631-0-00	1
46	101181-0-10	1
47	308518-4-00	4
48	308505-0-00	4
49	300218-0-10	8
50	202558-2-00	4
51	202229-0-11	4
52	200710-0-10	4
53	202556-0-00	4
54	308507-0-00	4
55	722472-2-00	5
56	351741-0-01	1
57	351742-0-01	1



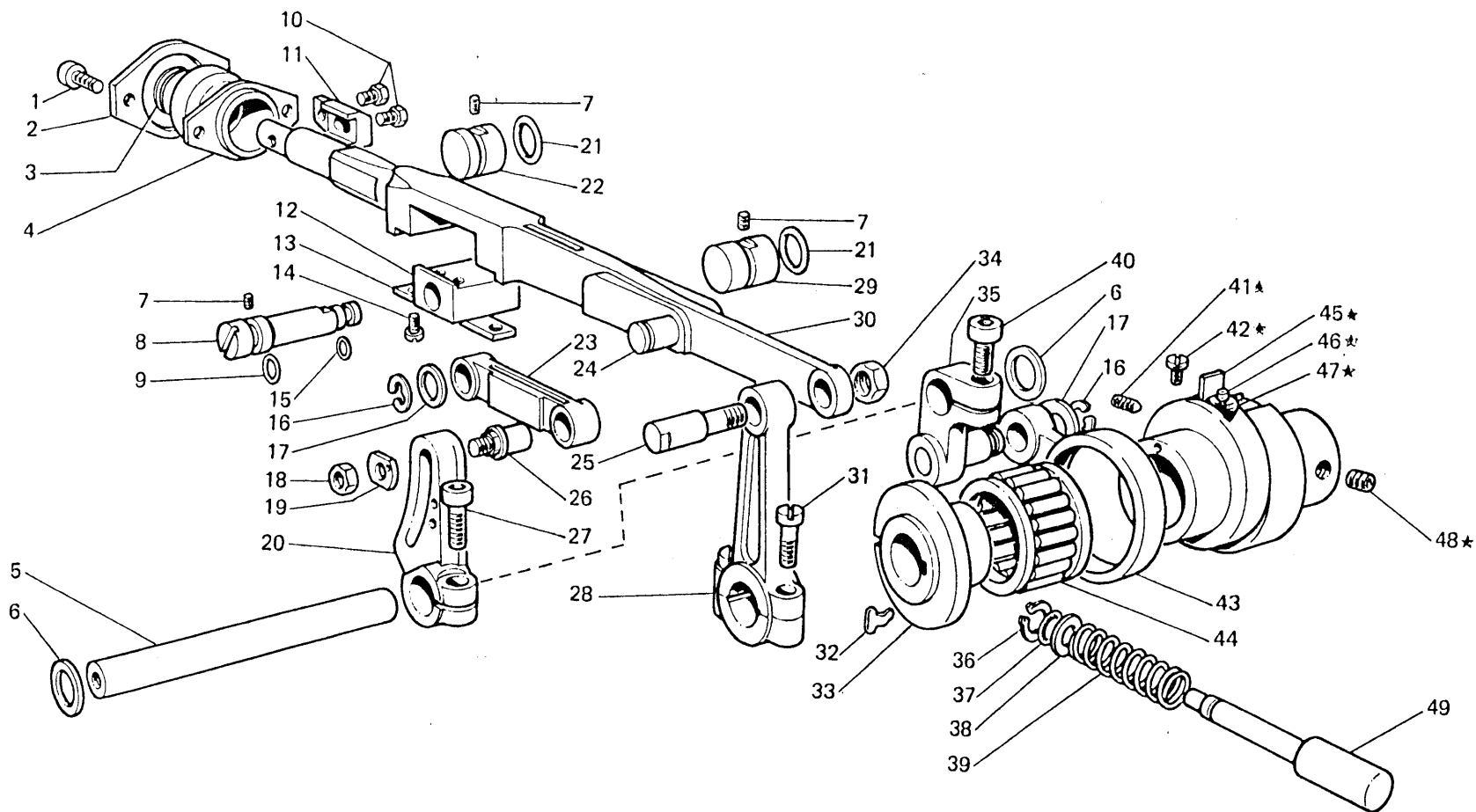
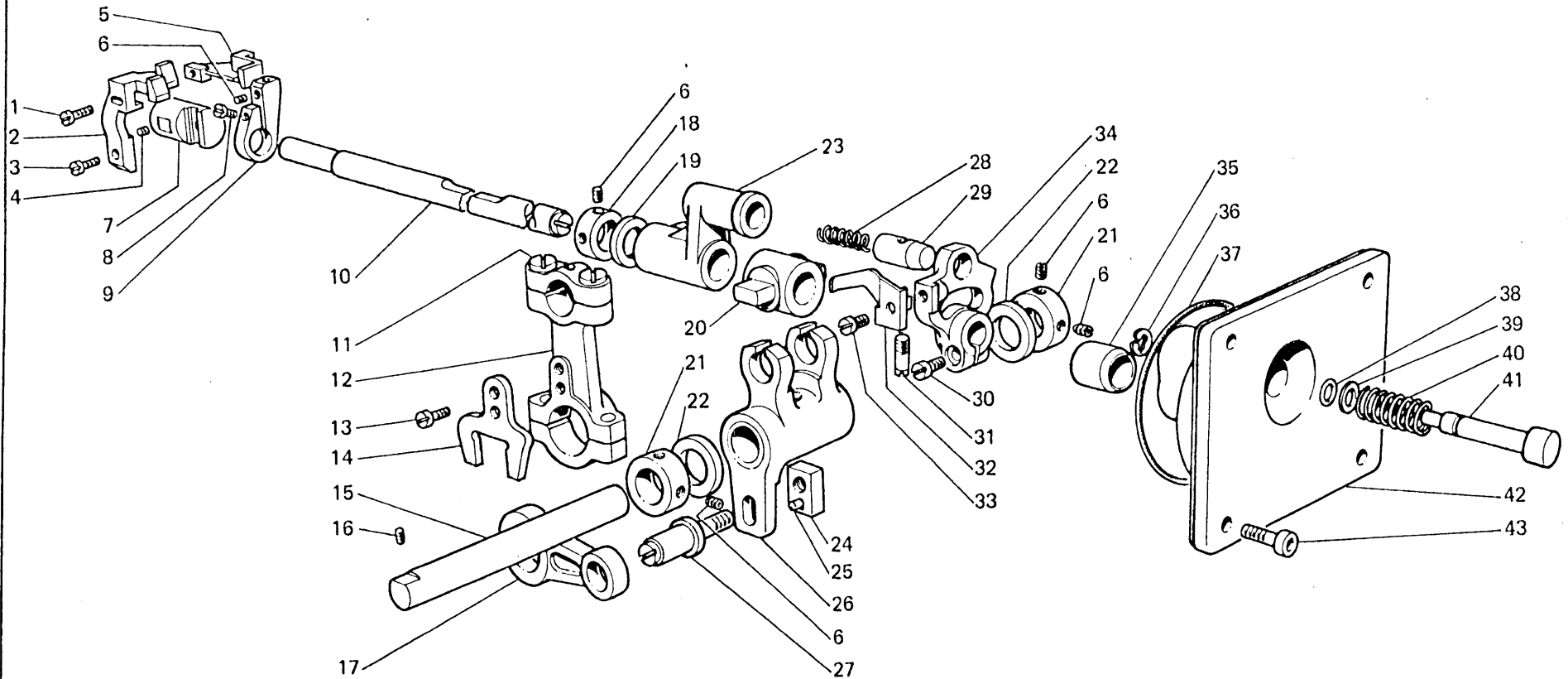


Fig. N.	Part. N. Piece N.	Qt.
★	311015-4-02	1
1	722400-2-00	2
2	351321-0-00	1
3	351320-0-00	1
4	351322-0-00	1
5	351343-0-00	1
6	704841-0-00	2
7	729032-2-00	5
8	351325-0-00	1
9	701005-0-00	1
10	202489-0-10	2
11	351310-0-00	1
12	351324-0-00	1
13	351323-0-00	2
14	741355-2-00	4
15	701002-0-00	1
16	700008-0-00	2
17	704825-0-00	2
18	733507-2-00	1
19	351337-2-00	1
20	351335-2-00	1
21	701113-0-00	4
22	351326-0-00	2
23	351332-0-00	1
24	351328-0-00	1
25	351330-0-00	1
26	351334-0-00	1
27	744332-2-00	1
28	351331-2-01	1
29	351327-0-00	2
30	350641-2-00	1
31	722089-2-00	2
32	206872-0-00	1
33	351412-0-01	1
34	746203-4-00	1
35	351347-2-01	1
36	700207-0-00	1
37	701004-0-00	2
38	704314-2-00	2
39	302019-0-10	1
40	744334-2-00	1
41	730011-2-00	2
42	202473-0-11	2
43	351349-0-00	1
44	311187-0-00	1
45	311018-0-00	1
46	729051-2-00	1
47	206603-0-11	1
48	729024-2-00	4
49	311068-0-00	1

# Rim® TAV. 5

Fig. N.	Part N. / Piece N.	Qt.
1	741485-0-00	1
2	351261-0-01	1
3	741579-0-00	1
4	729013-2-00	1
5	351262-0-01	1
6	745812-2-00	8
7	351730-0-00	1
8	741552-0-00	2
9	351380-2-00	2
10	351381-0-01	1
11	743243-2-00	4
12	350007-2-01	1
13	741558-0-00	2
14	351389-0-01	1
15	351396-0-00	1
16	729032-2-00	1
17	350158-0-01	1
18	303899-2-11	1
19	704828-0-00	1
20	351397-0-00	1
21	206606-2-00	2
22	705029-0-00	2
23	351376-0-11	1
24	351398-2-01	1
25	706222-0-00	1
26	351393-2-02	1
27	351392-0-10	1
28	304195-0-10	1
29	304172-0-10	1
30	722431-2-00	1
31	351377-0-00	1
32	351378-0-00	1
33	740210-2-00	1
34	351375-2-00	1
35	351384-0-00	1
36	700207-0-00	1
37	701136-0-00	1
38	701004-0-00	1
39	704314-2-00	1
40	311069-0-00	1
41	351379-0-00	1
42	351386-2-00	1
43	722411-2-00	4



# Rim® TAV. 6

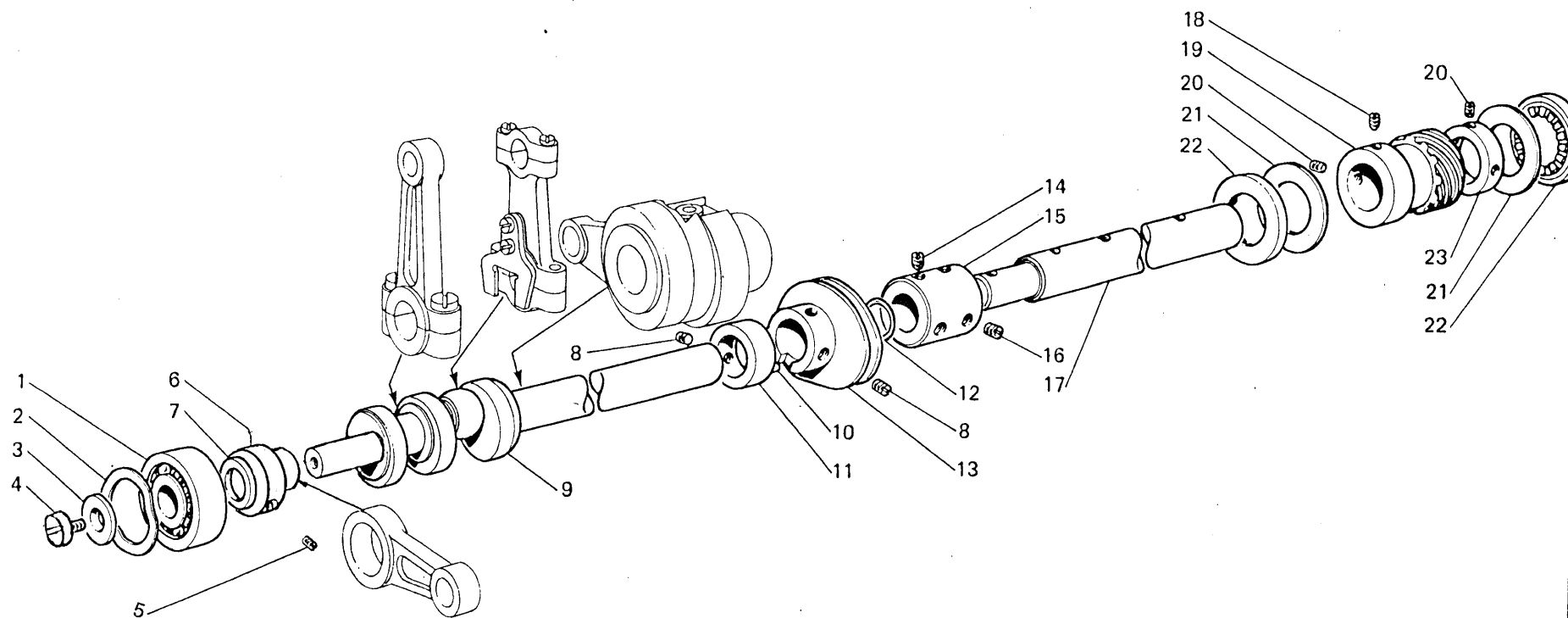
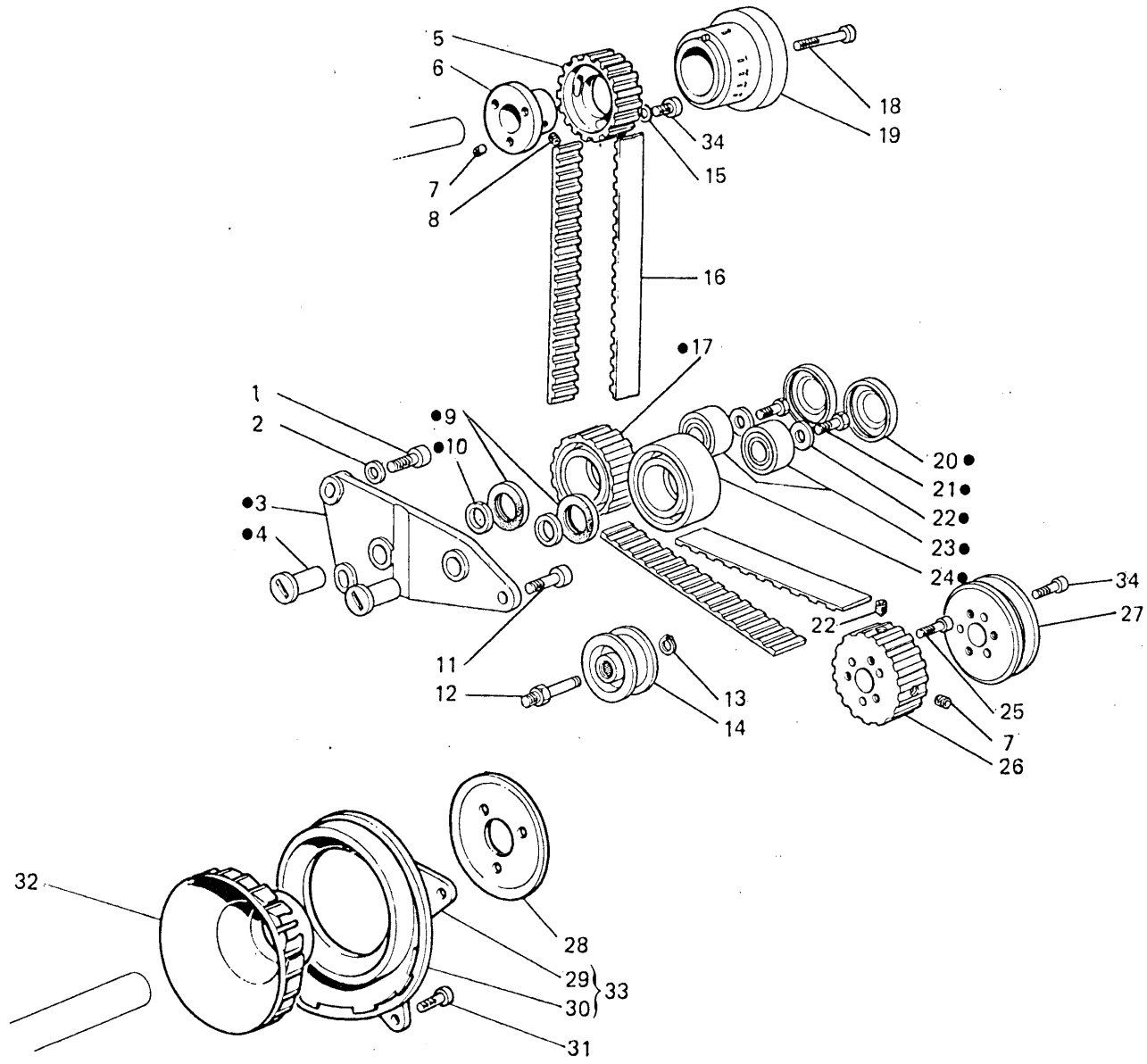


Fig. N.	Part. N. / Piece N.	Qt.
1	351402-0-00	1
2	206689-0-00	1
3	100339-0-11	1
4	724462-2-00	1
5	727046-0-00	2
6	350159-2-00	1
7	350363-0-00	1
8	300483-0-10	3
9	351403-2-10	1
12	701110-0-00	1
13	351678-3-00	1
14	729024-2-00	2
15	351414-0-00	1
16	730034-2-00	2
17	351415-0-00	1
18	730033-2-00	1
19	351470-2-00	1
20	729013-2-00	3
21	351419-0-00	2
22	351418-0-00	2
23	311061-2-00	1

# Rim® TAV.7

Fig. N.	Part. N. Piecce N.	Qt.
1	722484-2-00	2
2	704232-2-00	2
3	351446-0-00	1
4	351448-0-00	2
5	351439-0-00	1
6	351438-2-00	1
7	730034-2-00	2
8	729024-2-00	2
9	351456-0-00	2
10	351447-0-00	2
11	722444-2-00	1
12	351546-0-00	1
13	700008-0-00	1
14	351457-2-21	1
15	704409-2-00	3
16	351445-0-00	1
17	351452-3-00	1
18	722463-2-00	1
19	351459-2-00	1
20	351453-0-00	2
21	720485-2-00	2
22	704530-2-00	2
23	351454-0-00	2
24	351451-3-00	1
25	722441-2-00	3
26	351431-2-00	1
27	351430-0-01	1
28	351432-0-00	1
29	351435-0-00	1
30	351436-0-00	1
31	721484-2-00	3
32	351433-0-00	1
33	351437-4-00	1
34	722442-2-00	6
●	351455-4-00	1



# Rim® TAV. 8

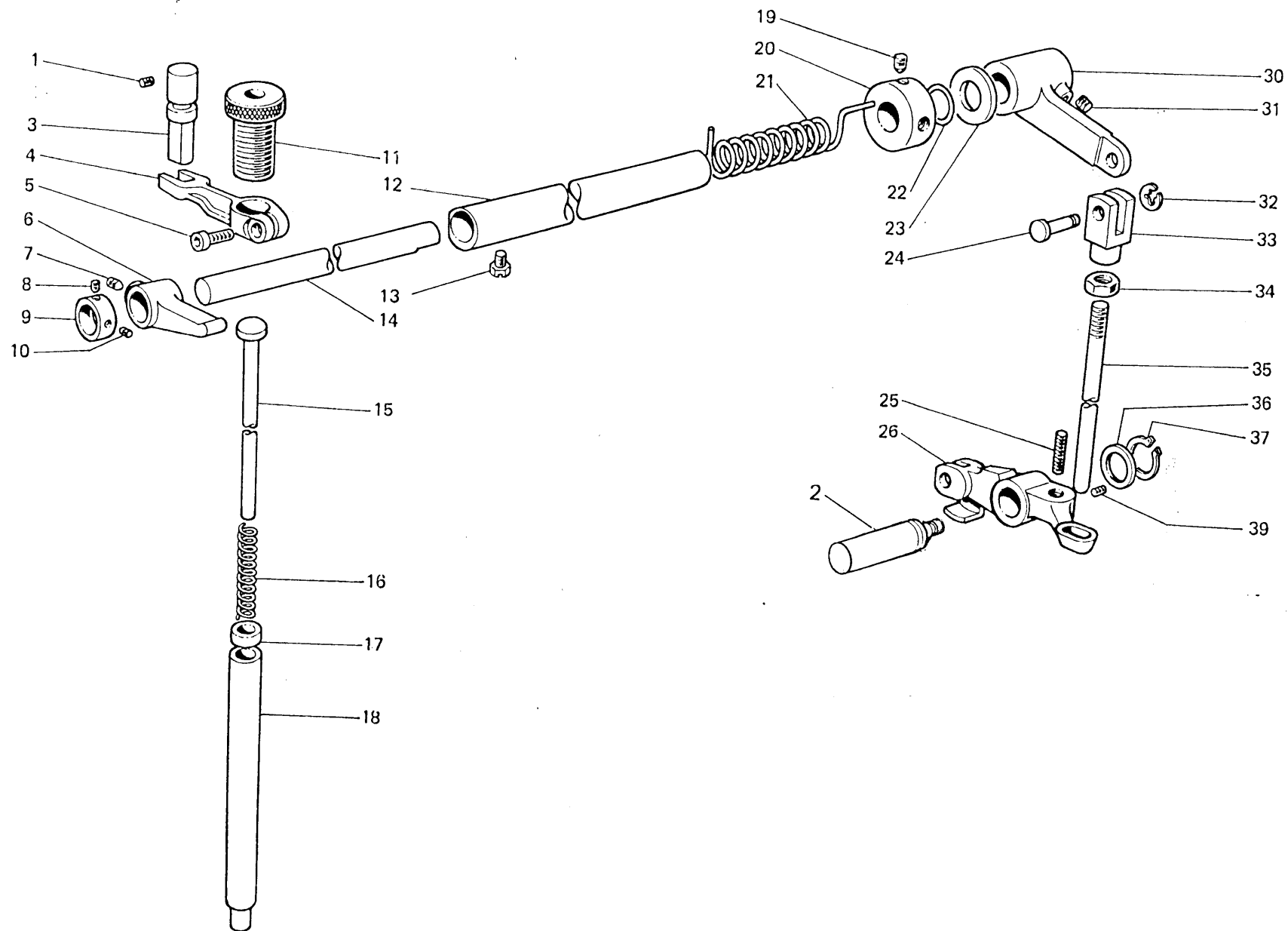
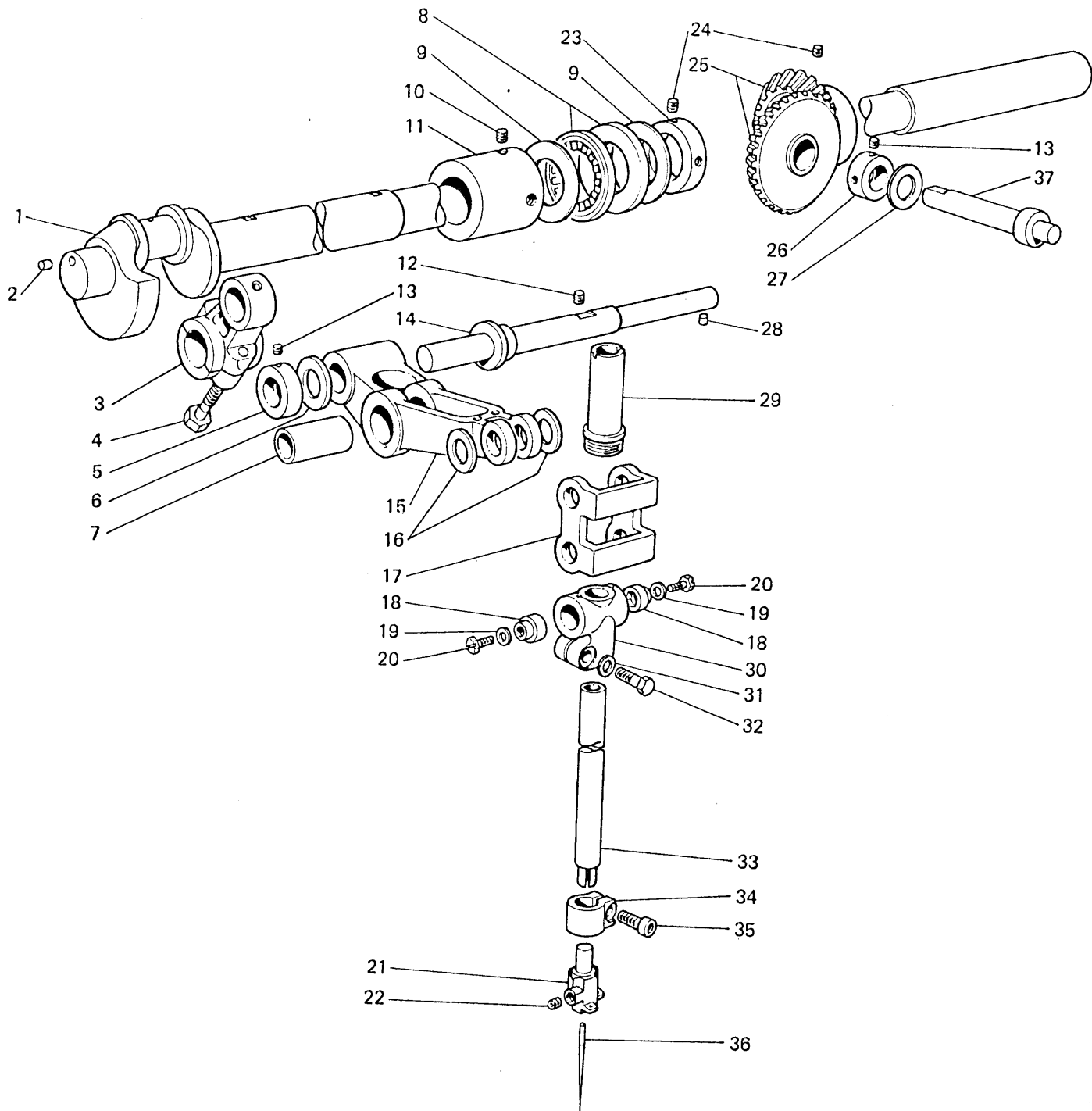


Fig. N.	Part. N. Piece N.	Qt.
1	729034-2-00	1
2	351146-0-00	1
3	351138-0-10	1
4	351137-2-01	1
5	722421-2-00	1
6	351139-2-01	1
7	730033-2-00	1
8	730022-2-00	1
9	303899-2-11	1
10	745812-2-00	3
11	351152-0-00	1
12	351558-2-00	1
13	740226-0-00	2
14	351140-0-31	1
15	351127-2-01	1
16	351126-0-00	1
17	351156-0-00	1
18	351130-0-10	1
19	745827-2-00	2
20	351144-2-00	1
21	351142-0-10	1
22	701007-0-00	1
23	705230-0-00	1
24	990311-0-10	1
25	729083-2-00	1
26	351145-2-10	1
30	351141-2-10	1
31	729013-2-00	1
32	700205-0-00	1
33	990310-0-10	1
34	746402-2-00	1
35	351143-0-01	1
36	704838-0-00	1
37	700010-0-00	1
39	304787-0-10	1

# Rim® TAV. 9

Fig. N.	Part. N. / Pieca N.	Qt.
1	351084-2-01	1
2	301586-0-10	1
3	351073-2-10	1
4	351096-0-00	2
5	206606-2-00	1
6	705030-0-00	1
7	351074-0-01	1
8	351418-0-00	2
9	351419-0-00	2
10	730011-2-00	2
11	351097-2-00	1
12	729024-2-00	2
13	745812-2-00	4
14	351060-0-10	1
15	351052-2-00	1
16	704813-0-00	2
17	351062-0-00	1
18	308037-0-01	4
19	704210-4-00	4
20	308039-0-01	4
21	351291-2-00	1
22	745810-2-00	2
23	311061-2-00	1
24	729013-2-00	6
25	351561-2-02	1
26	303899-2-11	1
27	309562-0-00	1
28	351063-0-00	1
29	351072-0-00	1
30	351064-2-00	1
31	704305-0-00	1
32	720471-0-00	1
33	350066-0-00	1
34	351069-2-00	1
35	722410-2-00	1
36	766200-6-80	2
37	351564-0-00	1





# Rim® TAV. 10

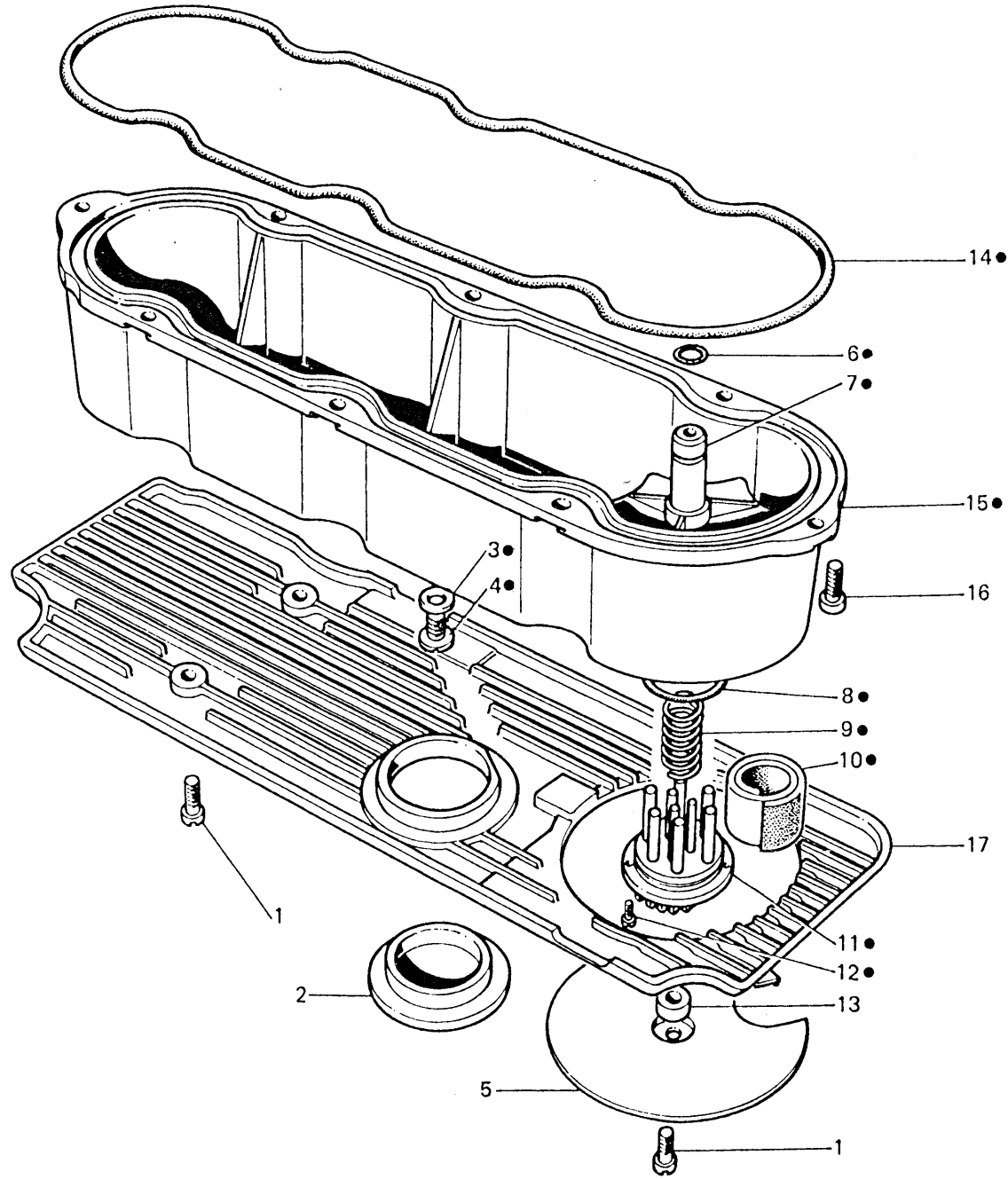
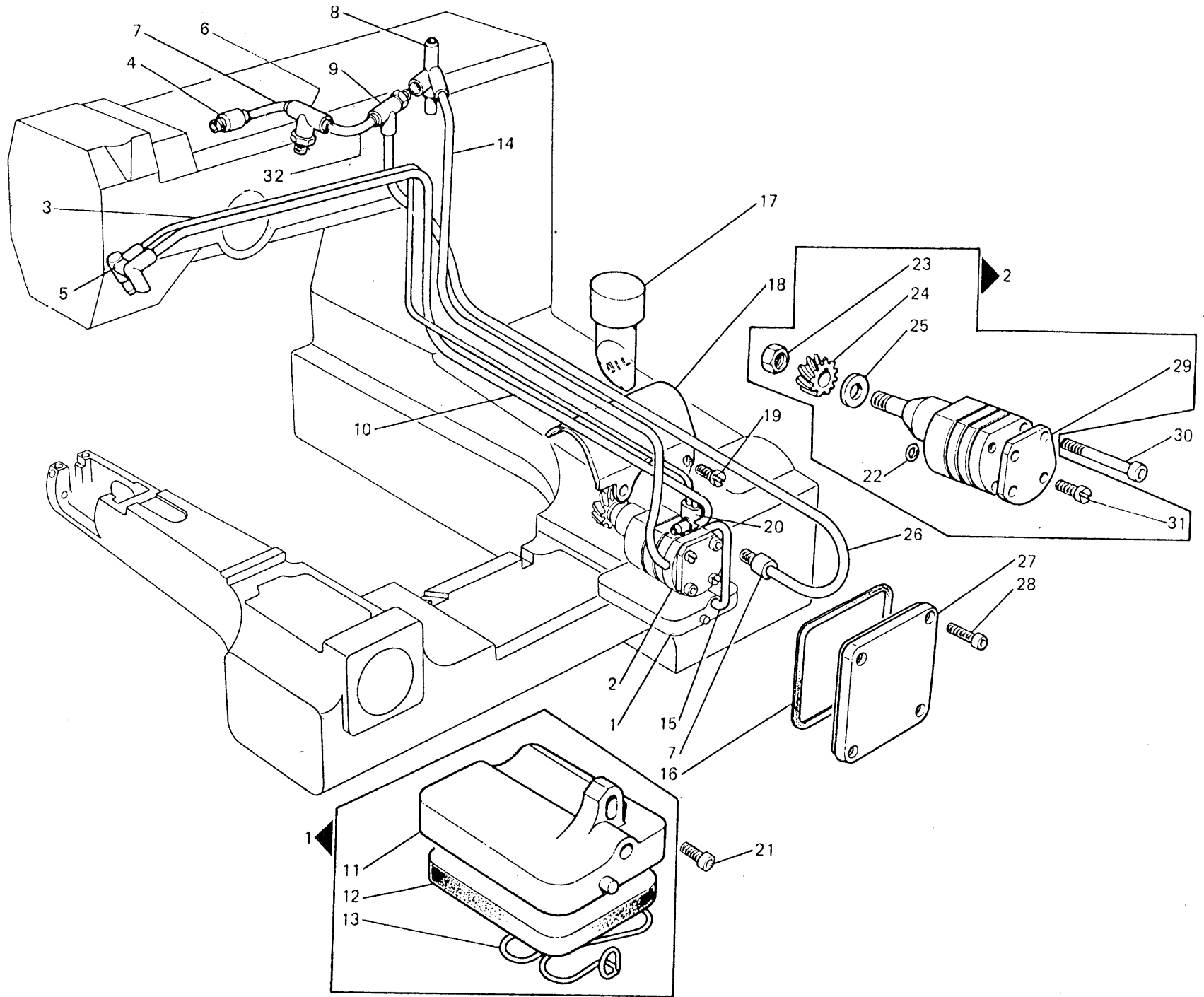


Fig. N.	Part. N. Piece N.	Qt.
	351005-4-00	1
1	721484-2-00	3
2	206752-0-00	1
3	701015-0-00	1
4	321206-0-00	1
5	206753-0-00	1
6	701005-0-00	1
7	351491-0-00	1
8	701051-0-00	1
9	206545-0-00	1
10	206559-0-01	1
11	206560-0-10	1
12	721464-2-00	2
13	990335-0-10	1
14	351058-0-00	1
15	351003-0-01	1
16	722452-2-00	8
17	351740-0-00	1

# Rim® TAV. 11

Fig. N.	Part. N. / Piece N.	Qt.
1	351479-4-10	1
2	351471-4-10	1
3	729250-0-00	1
4	941500-4-00	1
5	351510-0-00	1
6	941516-4-00	1
7	308207-0-00	2
8	351509-0-00	1
9	941522-2-00	1
10	790638-0-00	1
11	351511-0-00	1
12	351488-0-10	1
13	100960-0-00	1
14	790346-0-00	1
15	790606-0-00	1
16	351486-0-00	1
17	351495-0-00	1
18	351490-0-10	1
19	721444-2-00	2
20	350056-0-00	1
21	722442-2-00	1
22	701004-0-00	2
23	733507-2-00	1
24	206437-0-00	1
25	704813-0-00	1
26	790345-0-00	1
27	351487-0-10	1
28	722421-2-00	4
29	351512-0-00	1
30	722541-2-00	2
31	722153-2-00	2
32	790325-0-00	1



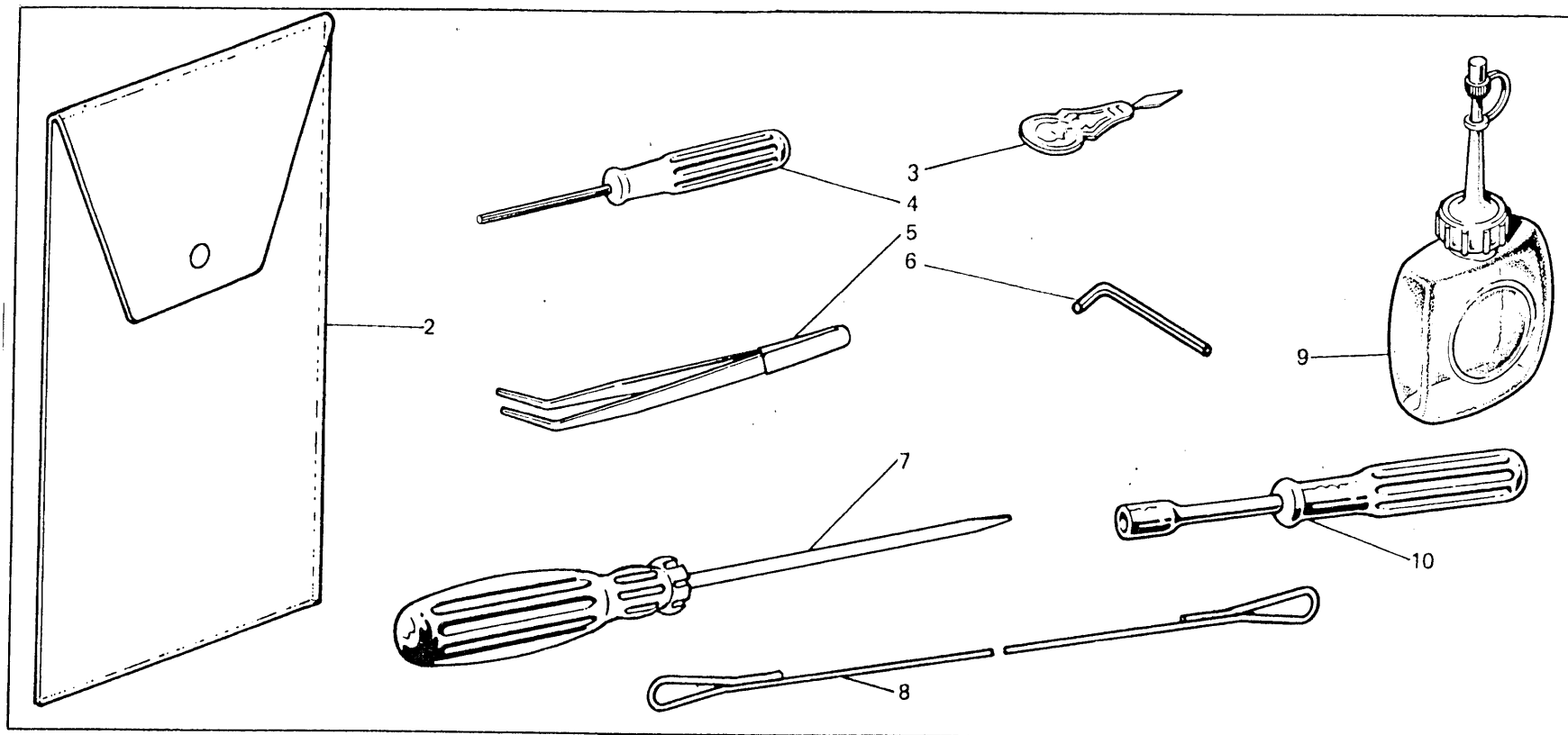
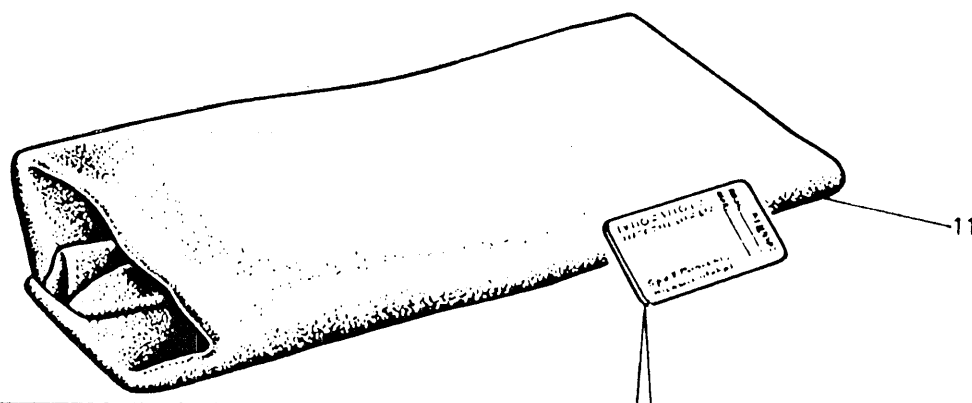


Fig. N.	Part. N. Piece N.	Qt.
1	991413-4-00	1
2	991412-0-00	1
3	990188-0-10	1
4	990474-0-11	1
5	990176-0-10	1
6	990325-0-10	1
7	990069-0-00	1
8	990223-0-02	1
9	990175-0-10	1
10	990718-0-00	1
11	992020-0-01	1
12	991512-0-00	1



Per l'ordinazione della bustina aghi citare lo stesso simbolo dell'ago montato sulla testa.

To order packet of needles please specify symbol of needle fitted on machine.

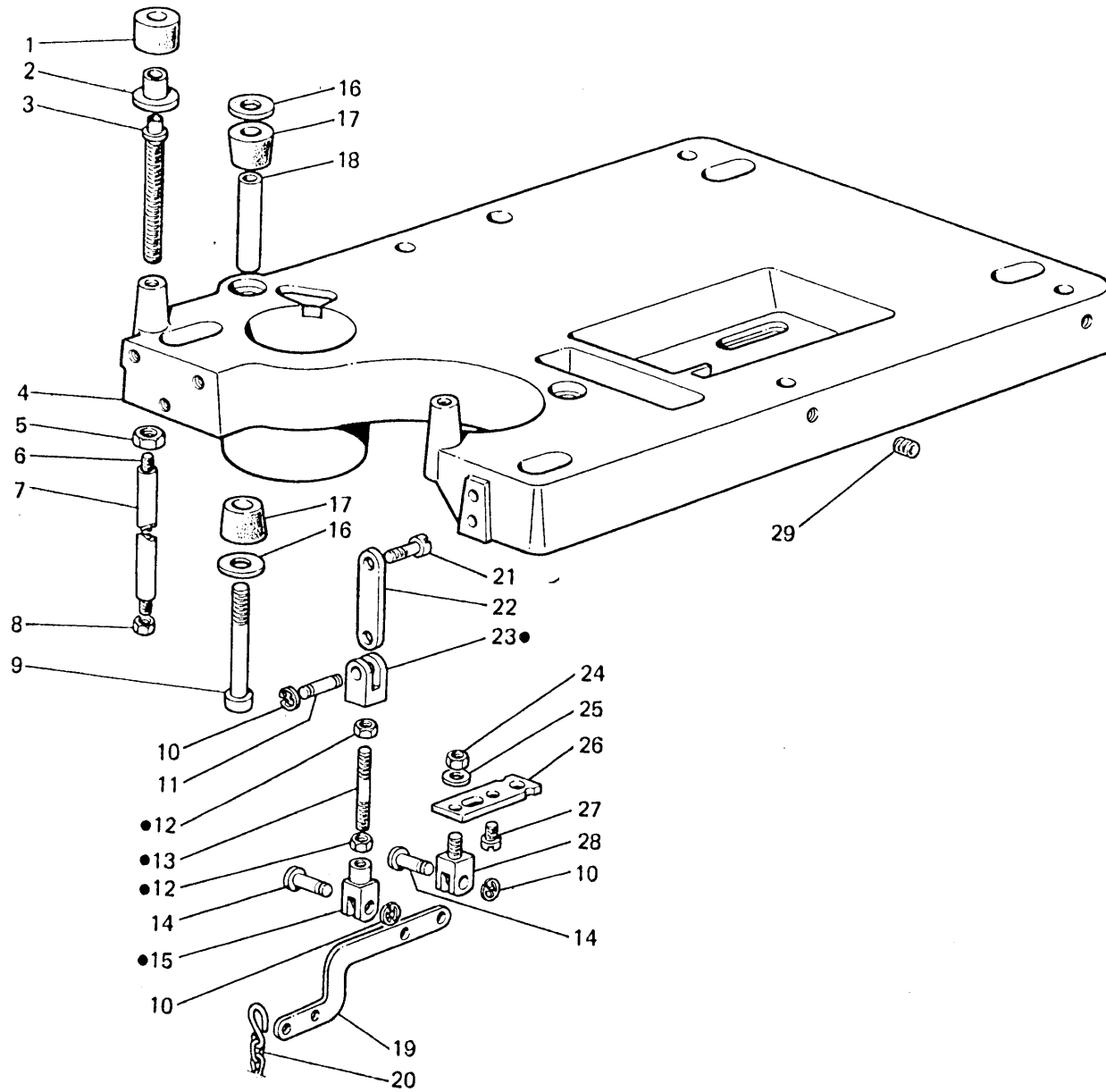
Pour commander un sachet d'aiguilles donner le symbol de l'aiguille montée sur la tête.

Un die Nadelnpackung zu bestellen bitte das gleiche Nadelsymbol wie die an Naehkopf umgebauete Nadel zu geben.

Para el pedido de un paquete de agujas, citar el mismo simbolo de la aguja montada en el cabezal.

# Rim® TAV. 13

Fig. N.	Part. N. Piece N.	Qt.
●	902056-4-10	1
1	902042-0-00	2
2	902045-0-00	2
3	902044-0-00	2
4	902021-0-10	1
5	733008-2-00	2
6	902043-2-00	2
7	902046-0-00	2
8	746008-0-00	2
9	722811-2-00	2
10	700205-0-00	6
11	927286-0-00	1
12	746402-2-00	2
13	902059-0-00	1
14	990311-0-10	2
15	990310-0-10	1
16	704345-2-00	4
17	990982-0-00	4
18	902041-0-00	2
19	991349-0-00	1
20	902066-4-00	1
21	902065-0-00	1
22	925765-0-00	2
23	902064-0-00	1
24	746409-2-00	1
25	704424-2-00	1
26	902057-0-00	1
27	722433-2-00	2
28	990314-0-10	1
29	745349-0-00	4



# Rim® TAV. 14

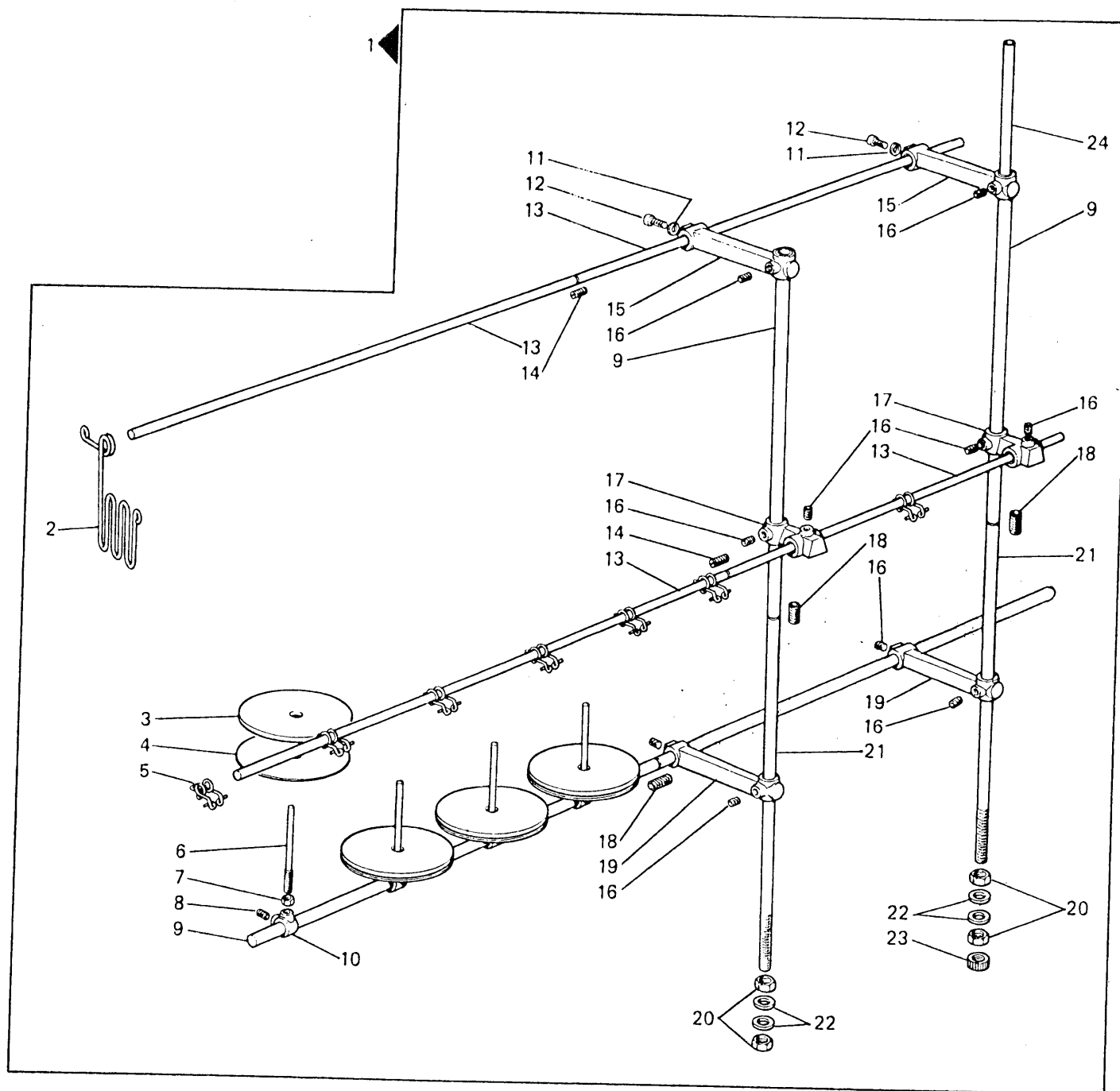
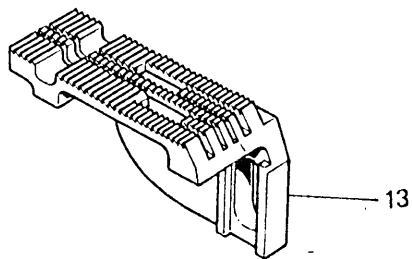
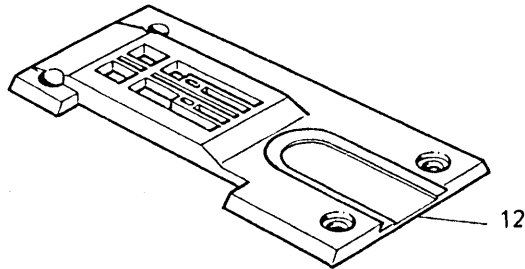
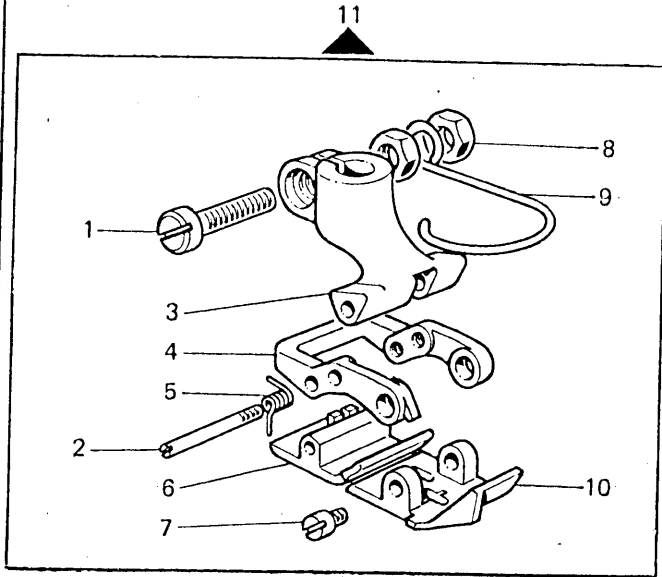


Fig. N.	Part. N. Piece N.	Qt.
1	992010-5-21	1
2	991342-0-00	4
3	991179-0-00	4
4	991112-0-00	4
5	994640-0-00	4
6	992009-2-00	4
7	733508-2-00	4
8	729054-2-00	4
9	991375-0-10	4
10	992006-2-10	4
11	703010-0-00	2
12	722464-2-00	2
13	991377-0-01	4
14	727098-0-00	2
15	991372-2-10	2
16	729445-2-00	10
17	991369-2-10	2
18	991376-0-10	3
19	991373-2-10	2
20	733211-2-00	4
21	991374-0-10	2
22	704017-2-00	4
23	991383-0-10	1
24	991382-0-10	2

Fig. N.	Part. N. Piece N.	Qt.
1	741781-2-00	1
2	351260-0-00	2
3	351257-0-00	1
4	351258-0-01	1
5	351259-0-02	1
6	351264-0-00	1
7	305544-0-00	2
8	733504-2-00	2
9	990808-0-01	1
10	351263-0-00	1
11	351219-3-00	1
12	351199-0-00	1
13	351184-0-00	1
14	351161-0-10	2



MACCHINA BASE  
MAIN HEAD  
TETE DE BASE

184-00-2CA-01

A RICHIESTA - ON REQUEST - SUR DEMANDE

tessuto leggero  
light fabric  
matériel léger

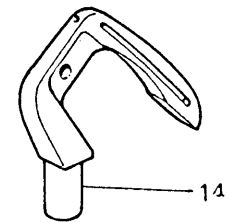
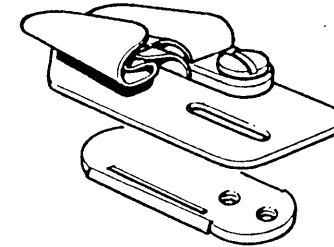
tessuto medio  
medium fabric  
matériel moyen

tessuto pesante  
heavy fabric  
matériel épais

351752-4-00

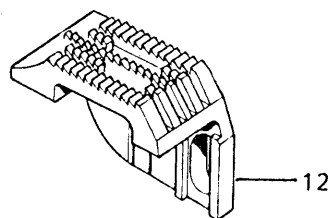
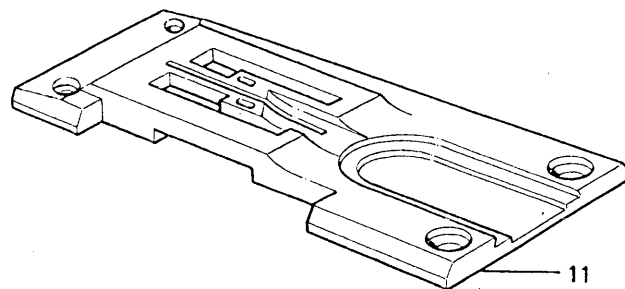
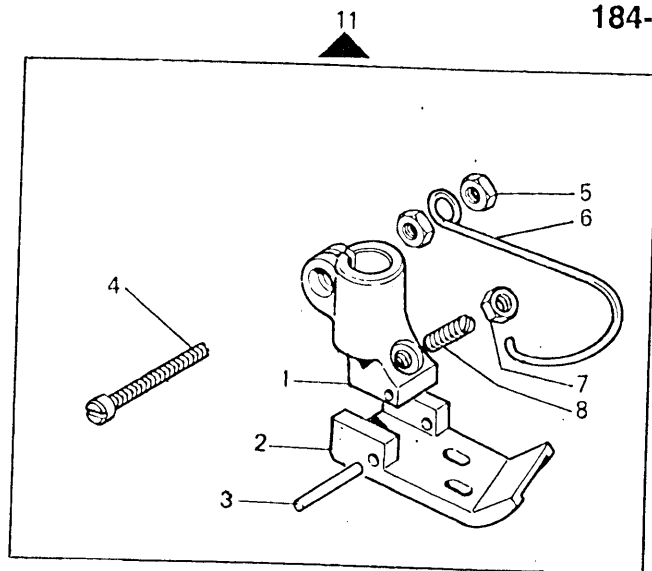
351751-4-00

351750-4-00



VARIANTE PER  
VARIATION FOR  
VARIANTE POUR

184-00-2CA-03



A RICHIESTA - ON REQUEST - SUR DEMANDE

tessuto leggero light fabric matériel léger	tessuto medio medium fabric matériel moyen	tessuto pesante heavy fabric matériel épais
351850-4-00	351851-4-00	350750-4-00

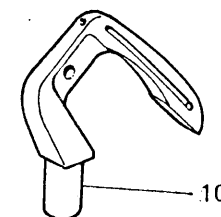
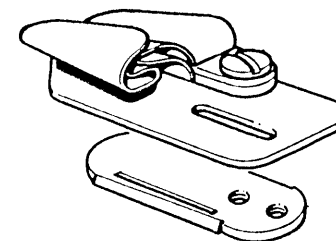
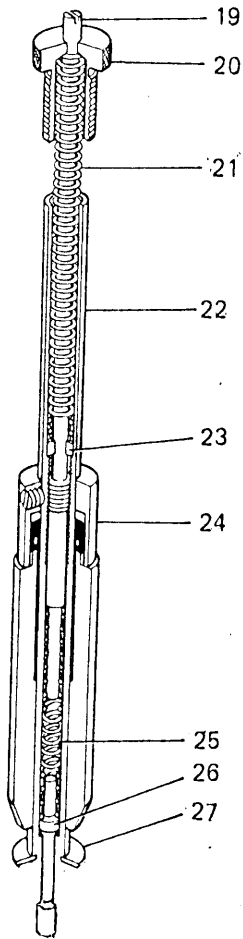


Fig. N.	Part. N. Pièce N.	Qt.
1	351243-0-00	1
2	990808-0-01	1
3	351242-0-00	1
4	300120-0-10	1
5	301596-0-11	1
6	301598-0-11	1
7	741781-2-00	1
8	733504-2-00	2
9	351218-3-00	1
10	351161-0-10	1
11	351198-0-00	1
12	351185-0-00	1

# Rim® TAV. 17

Fig. N.	Part. N. / Piece N.	Qt.
1	309600-0-00	1
2	729042-2-00	2
3	704305-0-00	1
4	721433-2-00	1
5	309603-0-00	1
6	745812-2-00	2
7	746007-2-00	2
8	990801-0-00	1
9	351260-0-00	2
10	309604-0-00	1
11	309605-0-00	1
12	351265-0-00	1
13	351259-0-02	1
14	351264-0-00	1
15	351263-0-00	1
16	305544-0-00	2
17	351258-0-01	1
18	351217-3-00	1
19	351153-0-00	1
20	351152-0-00	1
21	351155-0-00	1
22	351150-0-00	1
23	351156-0-00	1
24	351154-2-00	1
25	309609-0-00	1
26	309611-0-00	1
27	700211-0-00	1



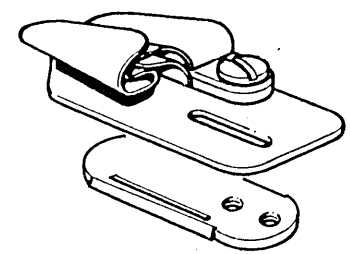
VARIANTE PER  
VARIATION FOR  
VARIANTE POUR

**184-00-2CA-11**

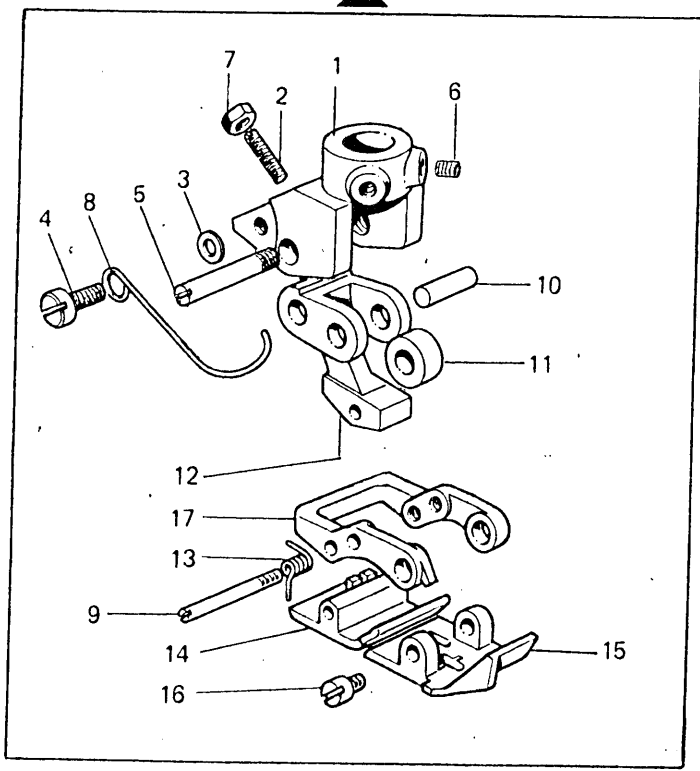
**A RICHIESTA - ON REQUEST - SUR DEMANDE**

tessuto leggero light fabric matériel léger	tessuto medio medium fabric matériel moyen	tessuto pesante heavy fabric matériel épais
---	--	---

351850-4-00	351851-4-00	350750-4-00
-------------	-------------	-------------



18





VARIANTE PER  
VARIATION FOR  
VARIANTE POUR  
**184-00-3CA-01**

A RICHIESTA - ON REQUEST - SUR DEMANDE

tessuto leggero	tessuto medio	tessuto pesante
light fabric	medium fabric	heavy fabric
matériel léger	matériel moyen	matériel épais

351850-4-00 (3/16")	351851-4-00 (3/16")	350750-4-00 (3/16")
351852-4-00 (3/16")	351853-4-00 (3/16")	-

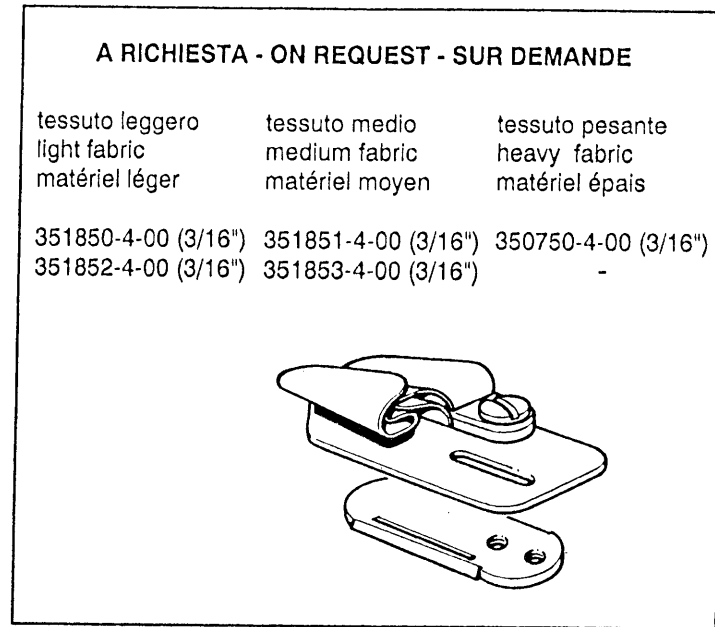
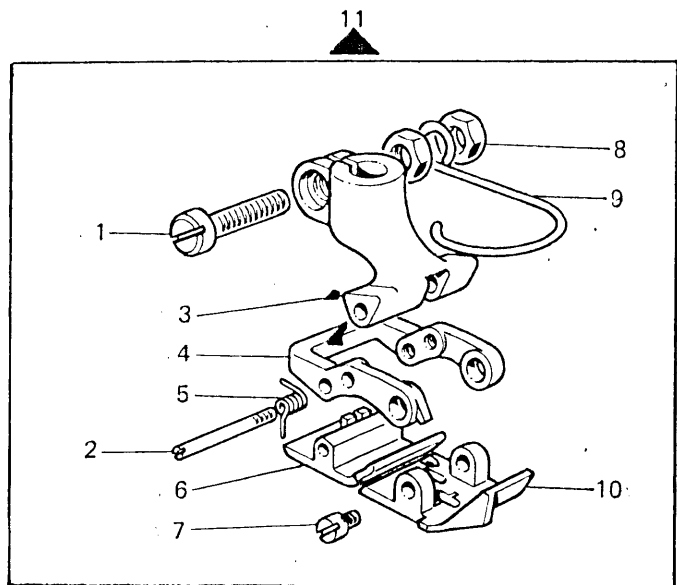


Fig. N.	Part. N. Piece N.	Qt.
1	741781-2-00	1
2	351260-0-00	2
3	351257-0-00	1
4	351258-0-01	1
5	351259-0-02	1
6	351102-0-00	1
7	305544-0-00	2
8	733504-2-00	2
9	990808-0-01	1
10	351101-0-00	1
11	351100-3-00	1
12	350649-0-01	1
13	350650-0-01	1
14	350741-2-00	1
15	351103-0-00	1
16	351104-0-00	1
17	351161-0-10	2
18	351163-0-00	1

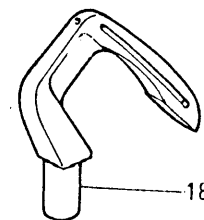
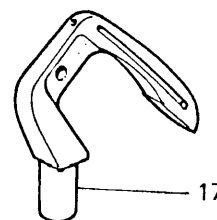
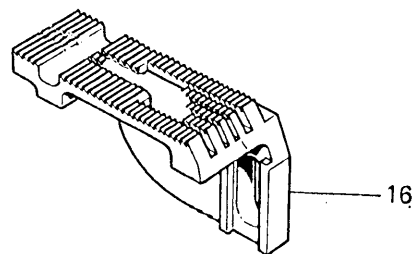
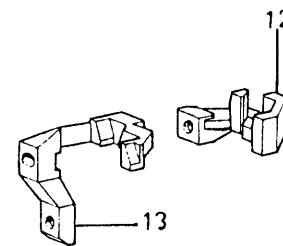
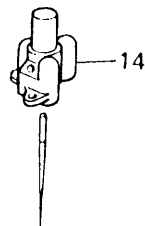
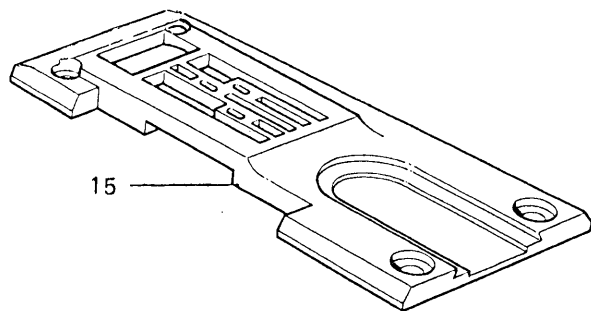
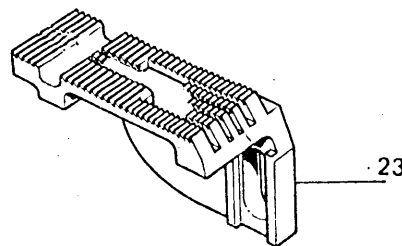
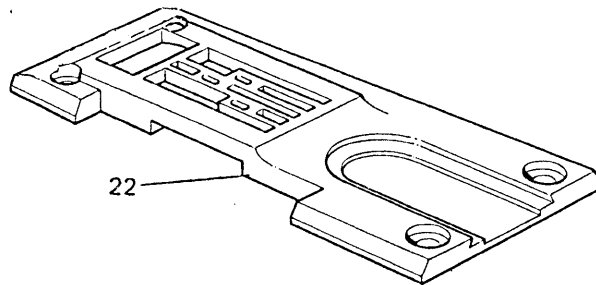
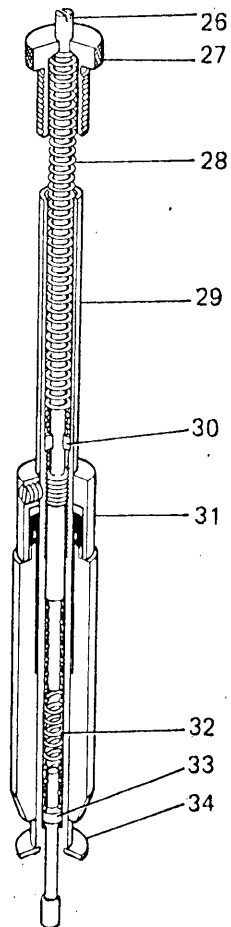
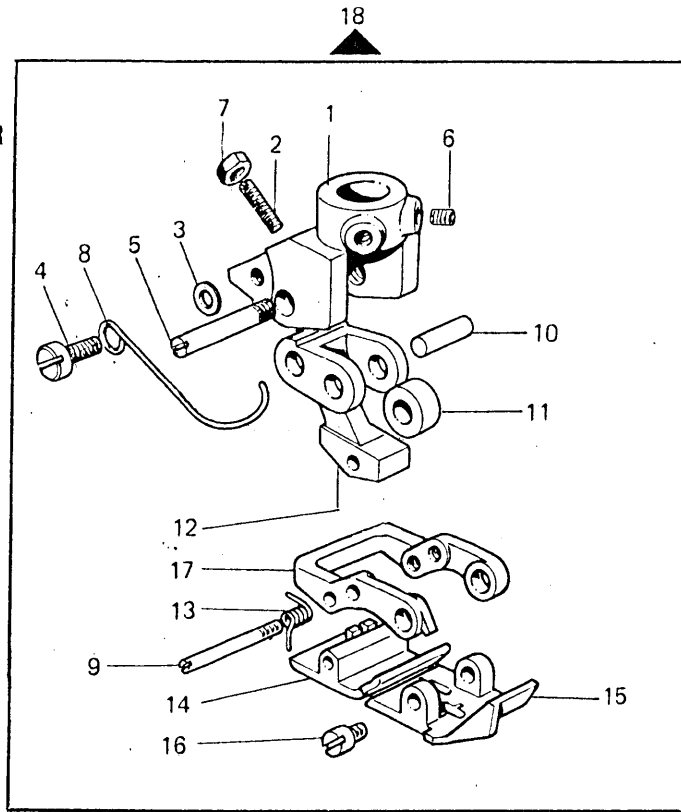


Fig. N.	Part. N. / Piece N.	Qt.
1	309600-0-00	1
2	729042-2-00	2
3	704305-0-00	1
4	721433-2-00	1
5	309603-0-00	1
6	745812-2-00	1
7	746007-2-00	2
8	990801-0-00	1
9	351260-0-00	1
10	309604-0-00	1
11	309605-0-00	1
12	351265-0-00	1
13	351259-0-02	1
14	351102-0-00	1
15	351101-0-00	1
16	305544-0-00	1
17	351258-0-01	1
18	351105-3-00	1
19	350849-0-01	1
20	350650-0-01	1
21	350741-2-00	1
22	351103-0-00	1
23	351104-0-00	1
24	351161-0-10	1
25	351163-0-00	1
26	351153-0-00	1
27	351152-0-00	1
28	351155-0-00	1
29	351150-0-00	1
30	351156-0-00	1
31	351154-2-00	1
32	309609-0-00	1
33	309611-0-00	1
34	700211-0-00	1

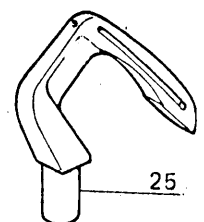
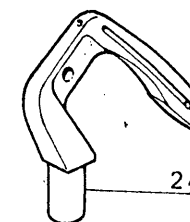
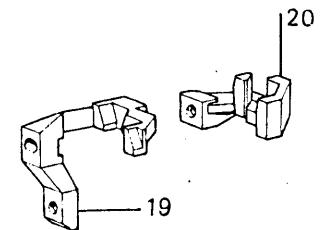
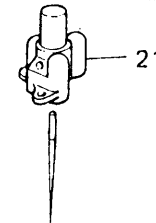
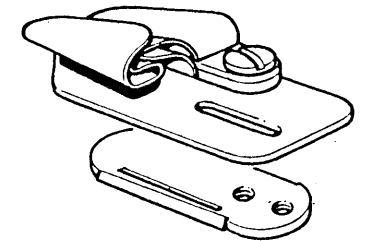
VARIANTE PER  
VARIATION FOR  
VARIANTE POUR  
**184-00-3CA-11**



**A RICHIESTA - ON REQUEST - SUR DEMANDE**

tessuto leggero	tessuto medio	tessuto pesante
light fabric	medium fabric	heavy fabric
matériel léger	matériel moyen	matériel épais

351850-4-00 (3/16")	351851-4-00 (3/16")	350750-4-00 (3/16")
351852-4-00 (3/16")	351853-4-00 (3/16")	-



CF Italia srl Corso Colombo, 46 21013 Gallarate (VA) Italia Tel. +39 0331 75071 [www.cfirmoldi.com](http://www.cfirmoldi.com) / [info@cfirmoldi.com](mailto:info@cfirmoldi.com)  
Rimoldi Of America, 2315 N.W. 107 Avenue-Suite M43 33172 Miami, FL USA Ph: ++1 305 477 9943 [lmelocchi@rimoldiusa.com](mailto:lmelocchi@rimoldiusa.com)