

1a EDIZIONE-EDITION 4/95 **n. 686**

MACCHINA FALDATRICE  
LAYING-UP MACHINE  
CHARIOT PLIEUR

**EFN 828**

E SOTTOCLASSI  
AND SUB CLASS  
ET SOUS-CLASSES

*NELLA RICHIESTA DI PARTI DI RICAMBIO, CITARE SEMPRE IL SIMBOLO DEL PARTICOLARE ED IL MODELLO DELLA MACCHINA.*

*NELLA RICHIESTA DI COMPONENTI ELETTRICI ED ELETTRONICI PRIVI DI SIMBOLI, CITARE IL NOME DELLA CASA COSTRUTTRICE E LE CARATTERISTICHE STAMPIGLIATE SUL PEZZO.*

*NOTA: I SIMBOLI CHE TERMINANO CON .../S SONO SINISTRI MENTRE QUELLI CHE TERMINANO CON .../D SONO DESTRI*

*\*\*\*\*\**

*WHEN ORDERING SPARE PARTS  
ALWAYS STATE THE PARTS SYMBOL IN QUESTION AND THE MACHINE MODEL.*

*WHEN ORDERING ELECTRIC AND ELECTRONIC SPARE PARTS WITHOUT SYMBOLS STATE MANUFACTURING COMPANY  
AND SPECIFICATION MARKED ON THE PARTS.*

*NOTE THAT WHEN SYMBOLS WITH END .../S ARE LEFT AND THOSE WITH THE END .../D ARE RIGHT*

*\*\*\*\*\**

*A LA COMMANDE DES PIECES DETACHEES, INDIQUER TOUJOURS LE SYMBOLE DE LA PIECE ET LE MODELE DE LA MACHINE.*

*A LA COMMANDE DES PIECES ELECTRIQUES ET ELECTRONIQUES SANS SYMBOLES, CITER LE NOM DU CONSTRUCTEUR  
ET LES CARACTERISTIQUES IMPRIMEES SUR LA PIECE.*

*NOTE: LES SYMBOLES QUI FINISSENT AVEC LA.../S SONT A GAUCHE PENDANT CEUX QUI FINISSENT AVEC .../D SONT A DROITE*

## SOMMARIO - SUMMARY - SOMMAIRE

TAV.N. TAB.N.	DESCRIZIONE	DESCRIPTION	DESCRIPTION
1	TELAIO - COPERTURE	FRAME - COVERS	BATI - CARTERS
2	GRUPPO RUOTE	WHEELS ASSEMBLY	GROUPE ROUES
3	MOTORE PRINCIPALE	MAIN MOTOR	MOTEUR PRINCIPAL
4	GRUPPO SALITA - DISCESA	LIFTER ASSEMBLY	GROUPE ELEVATEUR
5	TELAIO PORTAPEZZE	FRAME FOR ROLLS HOLDER	BATI POUR PORTE TISSU
6	SUPPORTO PORTA PEZZE	SUPPORT FOR ROLLS HOLDER	SUPPORTE POUR PORTE TISSU
7	RULLI ALIMENTAZIONE TESSUTO (EFN 828 SA)	ROLLERS FOR FABRIC ALIMENTATION (EFN 828 SA)	ROULEAUX POUR ALIMENTATION DU TISSU (EFN 828 SA)
8	GRUPPO TAGLIERINA	CUTTING ASSEMBLY	GROUPE DISPOSITIF DE COUPE
9	MOTORE TRASLAZIONE TAGLIERINA	MOTOR FOR CUTTER TRANSLATION	MOTEUR POUR LA TRASLATION DU DISPOSITIF DE COUPE
10	GRUPPO BLOCCAGGIO TESSUTO	FABRIC STOP ASSEMBLY	GROUPE ARRET TISSU
11	SCIVOLO ANTERIORE	FRONT SLIDE	GLISSIERE ANTERIEURE
12	PINZA ANTERIORE	FRONT CLAMP	PINCE ANTERIEURE
13	GRUPPO CINGHIE SVOLGIMENTO TESSUTO (EFN 828 MATIC)	BELTS FABRIC UNWINDING ASSEMBLY (EFN 828 MATIC)	GROUPE COURROIE DEROULEMENT TISSU (EFN 828 MATIC)
14	RULLI ALIMENTAZIONE TESSUTO (EFN 828 MATIC)	ROLLER FOR FABRIC ALIMENTATION (EFN 828 MATIC)	ROULEAUX POUR ALIMENTATION DU TISSU (EFN 828 MATIC)
15	CARICATORE (EFN 828 MATIC)	LOADER (EFN 828 MATIC)	CHARGEUR (EFN 828 MATIC)
16	CUPOLA	CUP	COUPOLE
17	SUPERALIMENTATORE (EFN 828 SA)	SUPER FEEDER (EFN 828 SA)	SUPER ALIMENTATEUR (EFN 828 SA)
18	CUPOLA (EFN 828 SA)	CUP (EFN 828 SA)	COUPOLE (EFN 828 SA)
19	GRUPPO MODULI ELETTRICI	ELECTRICAL MODULES ASSEMBLY	GROUPE MODULES ELECTRIQUES
20	PANNELLO COMANDI	CONTROL PANEL	PANNEAU DE COMMANDE
21	DISPOSITIVO (P1)	DEVICE (P1)	DISPOSITIF (P1)
22	AVANTRENO (ZIG-ZAG)	FORECARRIAGE (ZIG-ZAG)	AVANTRAIN (ZIG-ZAG)
23	PINZA ANTERIORE (ZIG-ZAG)	FRONT CLAMP (ZIG-ZAG)	PINCE ANTERIEURE (ZIG-ZAG)
24	PINZA POSTERIORE (ZIG-ZAG)	REAR CLAMP (ZIG-ZAG)	PINCE POSTERIEURE (ZIG-ZAG)
25	GRUPPO RULLI (ZIG-TUB)	ROLLERS ASSEMBLY (ZIG-TUB)	GROUPE ROULEAUX (ZIG-TUB)
26	CARICATORE (610)	LOADER (610)	CHARGEUR (610)
27	DISPOSITIVO (C.M.)	DEVICE (C.M.)	DISPOSITIF (C.M.)
28	TORRETTA GIREVOLE	MACHINE CARRIAGE ROTATION	TOUR PIVOTANT
29	DISPOSITIVO (CAR-TO)	DEVICE (CAR-TO)	DISPOSITIF (CAR-TO)
30-31	SUPPORTO SCORREVOLE PER PINZA ANTERIORE	SLIDING SUPPORT FOR FRONT CLAMP	SUPPORT COULISSANT POUR PINCE ANTERIEURE
32	DOPPIA PEZZA (EFN 828 MATIC)	DOUBLE ROLL LOADING (EFN 828 MATIC)	DOUBLE PIECE (EFN 828 MATIC)
33	DOPPIA PEZZA	DOUBLE ROLL LOADING	DOUBLE PIECE

**SIMBOLOGIA E DESCRIZIONE COMPONENTI ELETTRICI EFN 828**

A 1	Scheda SF 176C	SM 8	Micro Emergenza Pedana
A 2	Portascheda SF 177B	SM 9	Micro Tastatore Salita
A 3	Portascheda Emergenza	SM 10	Micro Arresto Tagliatore SX
F	Fusibile 5A	SM 11	Micro Arresto Tagliatore DX
G 1	Tachimetrica Motore Principale	SM 12	Micro Sicurezza Caricatore
G 2	Tachimetrica Motore Cinghie	SM 13	Micro Arresto Salita Caricatore
G 3	Tachimetrica Motore Rullo Verde	SM 14	Micro Arresto
G 4	Tachimetrica Motore Rulli Taglio	SM 15	Micro Manopola Avanti
G 5	Encoder XCH638-5-B-CM-R	SM 16	Micro Manopola Indietro
H 1	Luce Inserzione	SP 1	Pulsante Inserzione
H 2	Luce Spia Marcia	SP 2	Selettore Fotocellula
H 3	Luce Spia Fotocellula	SP 3	Selettore Salita Discesa
K 1	Teleruttore Emergenza	SP 4	Selettore Carico Scarico Caricatore
K 2	Teleruttore Allineamento DX	SP 5	Pulsante Affilatura
K 3	Teleruttore Allineamento SX	SP 6	Pulsante Arresto
K 4	Teleruttore Salita	SP 7	Selettore Taglio Manuale
K 5	Teleruttore Discesa	SP 8	Selettore Taglio Zig Zag
K 6	Teleruttore Tagliatore DX	SP 9	Selettore Manuale Automatico
K 8	Teleruttore Salita Caricatore	SP 10	Selettore Ritorno Veloce
K 9	Teleruttore Discesa Caricatore	SP 11	Pulsante Marcia
KF 1	Fotocellula Allineamento DX	SP 12	Selettore Svolge Riavvolge
KF 2	Fotocellula Allineamento SX	SP 13	Pulsante Reset Ciclo
KF 3	Fotocellula Fine Pezza	SP 14	Selettore Inversione Stesura
KR 2	Scheda Emergenza	SP 16	Pulsante Emergenza
M 1	Motore Principale	T1 VA	Trasformatore TM 125VA P110
M 2	Motore Rotazione Rullo Verde	TT	Trasformatore 380-110V 1500VA
M 3	Motore Rotazione Cinghie	U 1	Scheda Motore Principale
M 4	Motore Rotazione Rulli Taglio	U 2	Scheda Motore Alimentazione Rullo Verde
M 5	Motore Rotazione Lama	U 3	Scheda Motore Alimentazione Cinghie
M 6	Motore Rotazione Taglio	U 5	Raddrizzatore Trifase Eccitazione MP
M 7	Motore Allineamento Fotocellula	U 6	Raddrizzatore Motore Lama Taglio
M 8	Motore Salita Discesa	U 7	Raddrizzatore Magnete
M 9	Motore Caricatore	U 8	Alimentatore Freno Magnetico
RR	Reostato Regolazione Velocità Rulli	XA	Morsetti Apparecchiatura
RRV	Reostato Regolazione Velocità Automatica	XC	Connettore Computer
RRVM	Reostato Regolazione Velocità Manuale	XPE	Connettore Parte Elettronica
SM 1	Micro Emergenza	XPS	Connettore Portascheda SF176C CM92
SM 4	Arresto Allineamento Fotocellula DX	XRT	Connettore Rulli Tagliatore
SM 5	Arresto Allineamento Fotocellula SX	XT	Connettore Tagliatore
SM 6	Micro Arresto Salita	Y 1	Freno Magnetico
SM 7	Micro Arresto Discesa	Y 20	Elettrocalamita V110

**SYMBOLS AND ELECTRIC DEVICES DESCRIPTION EFN 828**

A 1	Card SF 176C	SM 8	Emergency Board Micro
A 2	Card-Case SF 177B	SM 9	Slope Touching Micro
A 3	Emergency Card-Case	SM 10	SX Cutter Stop Micro
F	Fuse 5A	SM 11	DX Cutter Stop Micro
G 1	Tachimetre Main Motor	SM 12	Loader Security Micro
G 2	Tachimetre Belts Motor	SM 13	Loader Slope Stop Micro
G 3	Tachimetre Green Roller Motor	SM 14	Stop Micro
G 4	Tachimetre Cut Rollers Motor	SM 15	On knob Micro
G 5	XCH638-5-B-CM-R Encoder	SM 16	Back Knob Micro
H 1	Led Insertion	SP 1	Insertion Push Button
H 2	Led Forward Gear	SP 2	Photocell Selector
H 3	Led Photocell	SP 3	Selector Slope Descent
K 1	Emergency Remote Control Switch	SP 4	Selector Loader Loading-Unloading
K 2	DX Alignement Control Switch	SP 5	Sharpening Push Button
K 3	SX Alignement Control Switch	SP 6	Push Button Stop
K 4	Slope Remote Control Switch	SP 7	Manual Cut Selector
K 5	Descent Remote Control Switch	SP 8	Zig Zag Cut Selector
K 6	DX Cutter Control Switch	SP 9	Selector Manual-Automatic
K 8	Loader Slope Remote Control Switch	SP 10	Backward Fast Selector
K 9	Loader Descent Remote Control Switch	SP 11	On Push Button
KF 1	DX Alignement Photocell	SP 12	Selector Unwinding-Re-Winding
KF 2	SX Alignement Photocell	SP 13	Cicle Reset Push Button
KF 3	End Fabric Photocell	SP 14	Spreading Inversion Selector
KR 2	Emergency Card	SP 16	Push Button Emergency
M 1	Main Motor	T1 VA	TM Transformer
M 2	Green Roller Rotation Motor	TT	380-110V 1500VA Transformer
M 3	Belts Rotation Motor	U 1	Main Motor Card
M 4	Cut Rollers Rotation Motor	U 2	Green Roller Feeding Motor Card
M 5	Blade Rotation Motor	U 3	Belt Alimentation Motor Card
M 6	Cut Rotation Motor	U 5	MP Excitation Three Phase Rectifier
M 7	Photocell Alignement Motor	U 6	Blade Cut Motor Rectifier
M 8	Slope-Descent Motor	U 7	Magnet Rectifier
M 9	Loader Motor	U 8	Magnetic Bracket Feeding
RR	Rollers Speed Regulation Rheostat	XA	Device Clamps
RRV	Automatic Speed Regulation Rheostat	XC	Computer Connector
RRVM	Manual Speed Regulation Rheostat	XPE	Electronic Part Connector
SM 1	Emergency Micro	XPS	SF 176C CM92 Cards-Case Connector
SM 4	DX Photocell Alignement Stop	XRT	Cutter Rollers Connector
SM 5	SX Photocell Alignement Stop	XT	Cutter Connector
SM 6	Slope Micro Stop	Y 1	Magnetic Bracket
SM 7	Descent Micro Stop	Y20	V110 Electromagnet

SYMBOLOGIE ET DESCRIPTION DISPOSITIFS ELECTRIQUES EFN 828

A 1	Fiche SF 176C	SM 8	Micro Urgence Estrade
A 2	Porte fiche SF 177B	SM 9	Micro Tâteur Montée
A 4	Porte fiche d'Urgence	SM 10	Micro Arrêt Coupeur SX
F	Fusible 5A	SM 11	Micro Arrêt Coupeur SX
G 1	Tachimetre Moteur Principal	SM 12	Micro Sécurité Chargeur
G 2	Tachimetre Moteur Courroie	SM 13	Micro Arrêt Montée Chargeur
G 3	Tachimetre Moteur Rouleau Vert	SM 14	Micro Arrêt
G 4	Tachimetre Moteur Rouleau de Coupe	SM 15	Micro Poignée Avant
G 5	Encoder XCH638-5-B-CM-R	SM 16	Micro Poignée Arrière
H 1	Lampe de Insertion	SP 1	Poussoir Insertion
H 2	Lampe témoin Marche	SP 2	Selecteur Photocellule
H 3	Lampe témoin Photocellule	SP 3	Selecteur Montée Descente
K 1	Télérupteur Urgence	SP 4	Selecteur Chargement Dechargement Chargeur
K 2	Télérupteur Alignement DX	SP 5	Poussoir Affûteur
K 2	Télérupteur Alignement SX	SP 6	Poussoir Arrêt
K 4	Télérupteur Montée	SP 7	Selecteur Coupe Manuelle
K 5	Télérupteur Descente	SP 8	Selecteur Coupe Zig Zag
K 6	Télérupteur Coupeur DX	SP 9	Selecteur Manuel Automatique
K 8	Télérupteur Montée Chargeur	SP 10	Selecteur Rentrée avec Vitesse
K 9	Télérupteur Descente Chargeur	SP 11	Poussoir Marche
KF 1	Photocellule Alignement DX	SP 12	Selecteur Déroulement-Enroulement
KF 2	Photocellule Alignement SX	SP 13	Poussoir Reset Cicle
KF 3	Photocellule Fin Tissu	SP 14	Selecteur Inversion Matélassage
KR 2	Fiche d'Urgence	SP 16	Poussoir Urgence
M 1	Moteur Principal	T1 VA	Transformateur TM 125VA P110
M 2	Moteur Rotation Rouleaux Vert	TT	Transformateur 380-110V 1500VA
M 3	Moteur Rotation Courroie	U 1	Fiche Moteur Principal
M 4	Moteur Rotation Rouleau de Coupe	U 2	Fiche Moteur Alimentation Rouleau Vert
M 5	Moteur Rotation Couteau	U 3	Fiche Moteur Courroie Alimentation
M 6	Moteur Rotation Coupe	U 5	Redresseur Triphase Excitation MP
M 7	Moteur Alignement Photocellule	U 6	Redresseur Moteur Couteau de Coupe
M 8	Moteur Montée Descente	U 7	Redresseur Magnete
M 9	Moteur Chargeur	U 8	Alimentateur Frein Magnetique
RR	Rhéostat Regulation Vitesse Rouleaux	XA	Bornes Appareillage
RRV	Rhéostat Regulation Vitesse Automatique	XC	Connecteur Computer
RRVM	Rhéostat Regulation Vitesse Manuelle	XPE	Connecteur Electronique
SM 1	Micro d'Urgence	XPS	Connecteur Porte fiches SF 176C CM92
SM 4	Arrêt Alignement Photocellule DX	XT	Connecteur Rouleaux Coupeur
SM 5	Arrêt Alignement Photocellule SX	XT	Connecteur Coupeur
SM 6	Micro Arrêt Montée	Y 1	Freinage Magnetique
SM 7	Micro Arrêt Descente	Y 20	Electromagnete V110

## INDEX

## INDEX

SIMB.	TAV.	SIMB.	TAV.	SIMB.	TAV.	SIMB.	TAV.	SIMB.	TAV.	SIMB.	TAV.
RFN 07/021	28	RFN 12/085/4	3	RFN 12/409/T	8-9	RFN 13/012	22	RFN 14/087	9-10	RFN 14/311	7
RFN 08/105	12	RFN 12/085/6	3	RFN 12/410/T	9	RFN 13/013/D	22	RFN 14/088	22	RFN 14/312	7-16-31
RFN 08/107	12	RFN 12/086/A	3	RFN 12/411/T	9	RFN 13/013/S	22	RFN 14/088/1	11	RFN 14/313	7
RFN 08/108	12	RFN 12/086/B	3	RFN 12/412/T	9	RFN 13/015/1	22	RFN 14/101/1	5	RFN 14/314	7
RFN 08/115	12-32-33	RFN 12/089	3	RFN 12/413/T	9	RFN 13/016/1	22	RFN 14/104	5	RFN 14/315	7
RFN 08/120	12-23	RFN 12/090	4	RFN 12/414/T	9	RFN 13/017/1	22	RFN 14/106/2	5	RFN 14/316	7
RFN 08/122	12	RFN 12/094	4	RFN 12/415/T	9	RFN 13/018/1	22	RFN 14/107	5	RFN 14/317	7-8
RFN 09/058/1	22	RFN 12/094/2	4	RFN 12/416/T	8	RFN 13/032	10	RFN 14/109	5	RFN 14/318	7
RFN 09/116	23-24	RFN 12/094/4	4	RFN 12/417/T	8	RFN 13/032/1	22	RFN 14/110	5	RFN 14/319	7
RFN 10/117	26-28	RFN 12/101	25	RFN 12/418/T	9	RFN 13/033/1	22	RFN 14/111	5	RFN 14/320	7
RFN 10/130/G	8	RFN 12/109	25	RFN 12/419/T	8	RFN 13/034/1	1	RFN 14/112	5	RFN 14/322	7-16-18
RFN 10/134	8	RFN 12/110	25	RFN 12/420/T	8	RFN 13/041	22	RFN 14/113	5	RFN 14/323	7-16
RFN 10/136/T1	8	RFN 12/111	25	RFN 12/421/T	8	RFN 14/005/D	7	RFN 14/114	6	RFN 14/325	7
RFN 10/149/1	28	RFN 12/112	25	RFN 12/422/T	8	RFN 14/005/S	7	RFN 14/115	6-33	RFN 14/368	3
RFN 10/150	28	RFN 12/113	25	RFN 12/423/T	8	RFN 14/019	1	RFN 14/117	6-26	RFN 14/369	3
RFN 10/150/A	6	RFN 12/114	25	RFN 12/424/T1	8	RFN 14/020	1	RFN 14/118	6	RFN 14/370	3
RFN 10/151	28	RFN 12/115	25	RFN 12/425/T1	8	RFN 14/033	10	RFN 14/119	5	RFN 14/401	33
RFN 10/156/1	28-33	RFN 12/123	4	RFN 12/426/T	8	RFN 14/047/1	4	RFN 14/124	5	RFN 14/401/A	33
RFN 10/158	6-26-28	RFN 12/124/A	25	RFN 12/428/T	8	RFN 14/048	4	RFN 14/124/1	5	RFN 14/404	32-33
	33	RFN 12/125	25	RFN 12/429/T	8	RFN 14/049	10	RFN 14/150	28	RFN 14/405	32-33
RFN 10/160	28	RFN 12/126	25	RFN 12/430/T	8	RFN 14/051	10	RFN 14/151	28	RFN 14/406	32-33
RFN 10/865	29	RFN 12/127/1	4	RFN 12/431/T	8	RFN 14/052	10	RFN 14/152	28	RFN 14/407	32-33
RFN 12/086/A	3	RFN 12/129	4	RFN 12/432/T	9	RFN 14/053	10	RFN 14/153	28	RFN 14/411	32-33
RFN 10/867	29	RFN 12/131/1	4	RFN 12/434/T	8	RFN 14/055	10	RFN 14/154	28	RFN 14/413	33
RFN 10/869	29	RFN 12/133	25	RFN 12/435/T	9	RFN 14/057	10	RFN 14/155	28	RFN 14/413/1	32
RFN 12/001	1	RFN 12/134	25	RFN 12/435/T1	9	RFN 14/058	10	RFN 14/156	28	RFN 14/414	32-33
RFN 12/002	1	RFN 12/193	21	RFN 12/435/T2	9	RFN 14/059	10	RFN 14/157	28	RFN 14/415	33
RFN 12/018/1	2	RFN 12/194	27	RFN 12/436/T	9	RFN 14/060	10	RFN 14/158	28	RFN 14/416	33
RFN 12/019/D	25	RFN 12/195/1	21	RFN 12/437/T1	8	RFN 14/061/A	10	RFN 14/160	28	RFN 14/451	29
RFN 12/019/S	25	RFN 12/227	16	RFN 12/438/T	9	RFN 14/062	10	RFN 14/161	28	RFN 14/452	2
RFN 12/050/1	2	RFN 12/235	4	RFN 12/439/T	9	RFN 14/062/B	10	RFN 14/162	28	RFN 14/454/1	29
RFN 12/052	2	RFN 12/238	25	RFN 12/441/T	8	RFN 14/063	10	RFN 14/163	28	RFN 14/455	29
RFN 12/053	2	RFN 12/243	25	RFN 12/442/T	8	RFN 14/063/A	10	RFN 14/165	28	RFN 14/456	29
RFN 12/055	2-17	RFN 12/252	4	RFN 12/443/T	8	RFN 14/064	10	RFN 14/280/G	20	RFN 14/457	29
RFN 12/065	3	RFN 12/253	4	RFN 12/516	9	RFN 14/065	10-16-28	RFN 14/285	20	RFN 14/459	29
RFN 12/066/1	3	RFN 12/254	2-3	RFN 12/516/T	8	RFN 14/065/1	22	RFN 14/293	20	RFN 14/601	12-23
RFN 12/066/2	3	RFN 12/303/1	3	RFN 12/517	8	RFN 14/066	11	RFN 14/294	20	RFN 14/602	12
RFN 12/068/1	1	RFN 12/401	9	RFN 13/001	10	RFN 14/067	10	RFN 14/296/1	20	RFN 14/603	12
RFN 12/069	1	RFN 12/402	9	RFN 13/002	10	RFN 14/075/1	9	RFN 14/298	20	RFN 14/604	12
RFN 12/071	1	RFN 12/402/T	9	RFN 13/003/1	22	RFN 14/076	4	RFN 14/304	7	RFN 14/605	23
RFN 12/072	1-32-33	RFN 12/403/T	9	RFN 13/004/1	22	RFN 14/077	4	RFN 14/306	7	RFN 14/606	12-23
RFN 12/074	1	RFN 12/404/T	9	RFN 13/008	4	RFN 14/082	11	RFN 14/307	7	RFN 14/609	12-23
RFN 12/075	1	RFN 12/405/T	9	RFN 13/009	4	RFN 14/082/3	11	RFN 14/308	7	RFN 14/610	12
RFN 12/076	1	RFN 12/407	9	RFN 13/010	4	RFN 14/084/1	11	RFN 14/309	7	RFN 14/613	12
RFN 12/085	3	RFN 12/408/T	8	RFN 13/011	10-22	RFN 14/085/1	11	RFN 14/310	7	RFN 14/614	23

## INDEX

## INDEX

SIMB.	TAV.	SIMB.	TAV.	SIMB.	TAV.	SIMB.	TAV.	SIMB.	TAV.	SIMB.	TAV.
RFN 14/615	23-28	RFN 14/803	25	RFN 20/011	26	RFN 25/024	7-14	RFN 97/008	10	RFN 99/421/C	26
RFN 14/616	23	RFN 14/804	25	RFN 20/012	26	RFN 25/025	14	RFN 98/010	27	RFN 99/431/A	17
RFN 14/620	23-24	RFN 14/805	25	RFN 20/013	26	RFN 25/026	5	RFN 98/011	10	RFN 99/442	7
RFN 14/671	30-31	RFN 14/806	25	RFN 20/014	26	RFN 25/027	7-14	RFN 98/113	6-17-26	RFN 99/442/C	7-26
RFN 14/672	30-31	RFN 14/807	25	RFN 20/015	26	RFN 25/028	7	RFN 98/203	8	RFN 99/506	17
RFN 14/673	30-31	RFN 14/808	25	RFN 20/016	15-26	RFN 25/029	14	RFN 98/212	9	RFN 99/527	9
RFN 14/675	30-31	RFN 14/809	25	RFN 20/017	15-26	RFN 25/030	7-14	RFN 98/234	5-17-26	RFN 99/528	10
RFN 14/678	30-31	RFN 14/826	16	RFN 20/018	15-26	RFN 25/031	7	RFN 98/304	11	RFN 99/529	7-9-10
RFN 14/679	30	RFN 14/827	16	RFN 20/019	26	RFN 25/031/1	14	RFN 98/309	5-18	RFN 99/530	7-21
RFN 14/680	30-31	RFN 14/828	25	RFN 20/021	15-26	RFN 25/032	14	RFN 98/310/B	10		26-33
RFN 14/681	30-31	RFN 14/851	17	RFN 20/025	26	RFN 25/033	14	RFN 98/312	3	RFN 99/531	8
RFN 14/682	30-31	RFN 14/852	17	RFN 24/640	27	RFN 25/035	14	RFN 98/313	7-17	RFN 99/532	10
RFN 14/683	30-31	RFN 14/853	17	RFN 24/641	27	RFN 25/037	7-14	RFN 98/316	5	RFN 99/602	8-9
RFN 14/684	30	RFN 14/854	17	RFN 24/642/M	27	RFN 25/038	7-14	RFN 98/413	18	RFN 99/603	8-18-26
RFN 14/685	30-31	RFN 14/855	17	RFN 24/643/M	27	RFN 25/041/1	5	RFN 98/415	5	RFN 99/604	6-7-8-9
RFN 14/687	30-31	RFN 14/856	17	RFN 24/645	27	RFN 25/042	5	RFN 98/416	3		10-11
RFN 14/689	30-31	RFN 14/866/1	17	RFN 24/646	27	RFN 25/043/C	1	RFN 99/001	26	RFN 99/605	6-7-9-11
RFN 14/690	30-31	RFN 14/869	17	RFN 24/647	27	RFN 25/043/M	1	RFN 99/012	7		17-26
RFN 14/691	30-31	RFN 14/870	17	RFN 24/648	27	RFN 25/044	5	RFN 99/013	26	RFN 99/606	8
RFN 14/693	30-31	RFN 14/873	7	RFN 24/650	27	RFN 25/701	18	RFN 99/015	9-10	RFN 99/614	26
RFN 14/694	30-31	RFN 14/955	32	RFN 24/651	27	RFN 25/702	18	RFN 99/022	6-7-8-9	RFN 99/625	9
RFN 14/696	30	RFN 14/955/S	32	RFN 24/652	27	RFN 25/704	18	RFN 99/024	7-9-11	RFN 99/626	17
RFN 14/701	12	RFN 14/970	13	RFN 24/655	27	RFN 25/706	18		17	RFN 99/627	17-21
RFN 14/702	12	RFN 14/971	13	RFN 25/001	14	RFN 25/707	18	RFN 99/026	26	RFN 99/708	6
RFN 14/703/1	12	RFN 14/972	13	RFN 25/002	14	RFN 25/708	18	RFN 99/034	9	RFN 99/809	10
RFN 14/705/1	12	RFN 14/973	13	RFN 25/003	14	RFN 26/151	24	RFN 99/036	7	RFN 99/822	7
RFN 14/706	12	RFN 14/977	13	RFN 25/004	14	RFN 26/152	23-24	RFN 99/050/2	9	RFN 270/L100	7-14
RFN 14/707	12	RFN 14/980	13	RFN 25/005	14	RFN 26/153	23-24	RFN 99/120	7	RFN 270/L050	30-31
RFN 14/708	12	RFN 14/981	13	RFN 25/007	14	RFN 26/154	24	RFN 99/131	6	RFN 285/L100	14
RFN 14/709	12	RFN 14/983	13	RFN 25/008	14	RFN 26/155	23-24	RFN 99/132	17	RFN A1	19
RFN 14/710	12	RFN 14/984	13	RFN 25/009	14	RFN 26/157	23-24	RFN 99/137	17	RFN Adattatore	17
RFN 14/711	12	RFN 14/985	13	RFN 25/010	14-18	RFN 26/158	23-24	RFN 99/208	8-10	RFN Autofil.	7
RFN 14/712	12	RFN 14/986	13	RFN 25/011	14-18	RFN 26/159	23-24	RFN 99/209	9	RFN Cusc. rullo	23-24
RFN 14/718	12	RFN 14/987	13	RFN 25/012	14-18	RFN 26/160	23-24	RFN 99/217	7-9-10	RFN CM90	20
RFN 14/720	12	RFN 14/988	13	RFN 25/013	14	RFN 26/162	23-24	RFN 99/218	7-8-9	RFN CM92	20
RFN 14/721	12	RFN 14/989	15	RFN 25/014	14	RFN 26/163	23-24		18-26	RFN CS/201	5
RFN 14/722/1	12	RFN 14/990	15	RFN 25/016/1	26	RFN 26/164	23-24	RFN 99/219	7	RFN CS/608/Z	10-26
RFN 14/726	12	RFN 14/992	15	RFN 25/016/3	13	RFN 26/165	23-24	RFN 99/245	6-17-26	RFN CS/6000	6
RFN 14/727	12	RFN 14/993	13	RFN 25/016/4	6	RFN 26/166	23	RFN 99/246	8	RFN CS/6000/2RS	8-9
RFN 14/750	12	RFN 14/994/D	15	RFN 25/016/5	17	RFN 26/168	23	RFN 99/256	9	RFN CS/6000/RS	8
RFN 14/754/C	12	RFN 14/994/S	15	RFN 25/017	14	RFN 26/168/1	23-24	RFN 99/261	26	RFN CS/6001	18
RFN 14/801	25	RFN 14/995	13	RFN 25/019	7-14	RFN 81/15	10	RFN 99/321	8	RFN CS/6002/2RS	8
RFN 14/801/A	25	RFN 15/045	17	RFN 25/020	14	RFN 89/822	8	RFN 99/333	10	RFN CS/6004	2-7
RFN 14/802	25	RFN 20/002	15-26	RFN 25/021	14	RFN 90/58/1	11	RFN 99/334	9-10	RFN CS/6201	7
RFN 14/802/A	25	RFN 20/002/1	15-26	RFN 25/023	7-14	RFN 97/006	11	RFN 99/416	8	RFN CS/6202	3





# Rim® TAV. 1

Fig. N.	Part. N. Pecce N.
1	RFN E/063
2	RFN 25/043/C
3	RFN 14/019
4	RFN 13/034/1
5	RFN 12/001
6	RFN E/065
7	RFN 12/072
8	RFN 12/071
9	RFN 12/076
10	RFN 12/074
11	RFN 12/075
12	RFN 14/020
13	RFN 12/069
14	RFN 12/068/1
15	RFN 25/043/M
16	RFN E/063/1
17	RFN 12/002

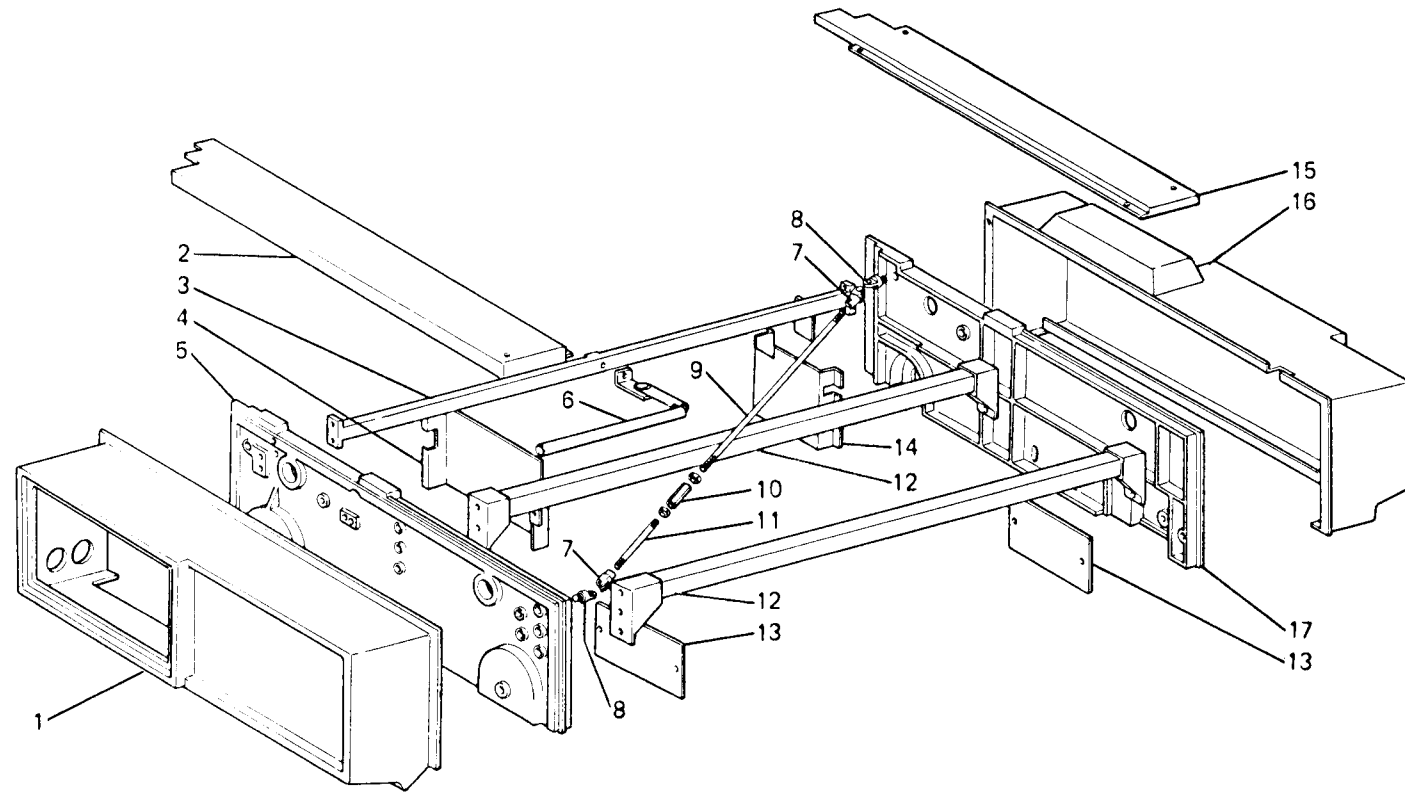


Fig. N.	Part. N. Pèce N.
1	RFN 12/055
2	RFN 14/452
3	RFN 12/018/1
4	RFN 12/254
5	RFN 12/053
6	RFN CS/6004
7	RFN 12/050/1
8	RFN 12/052

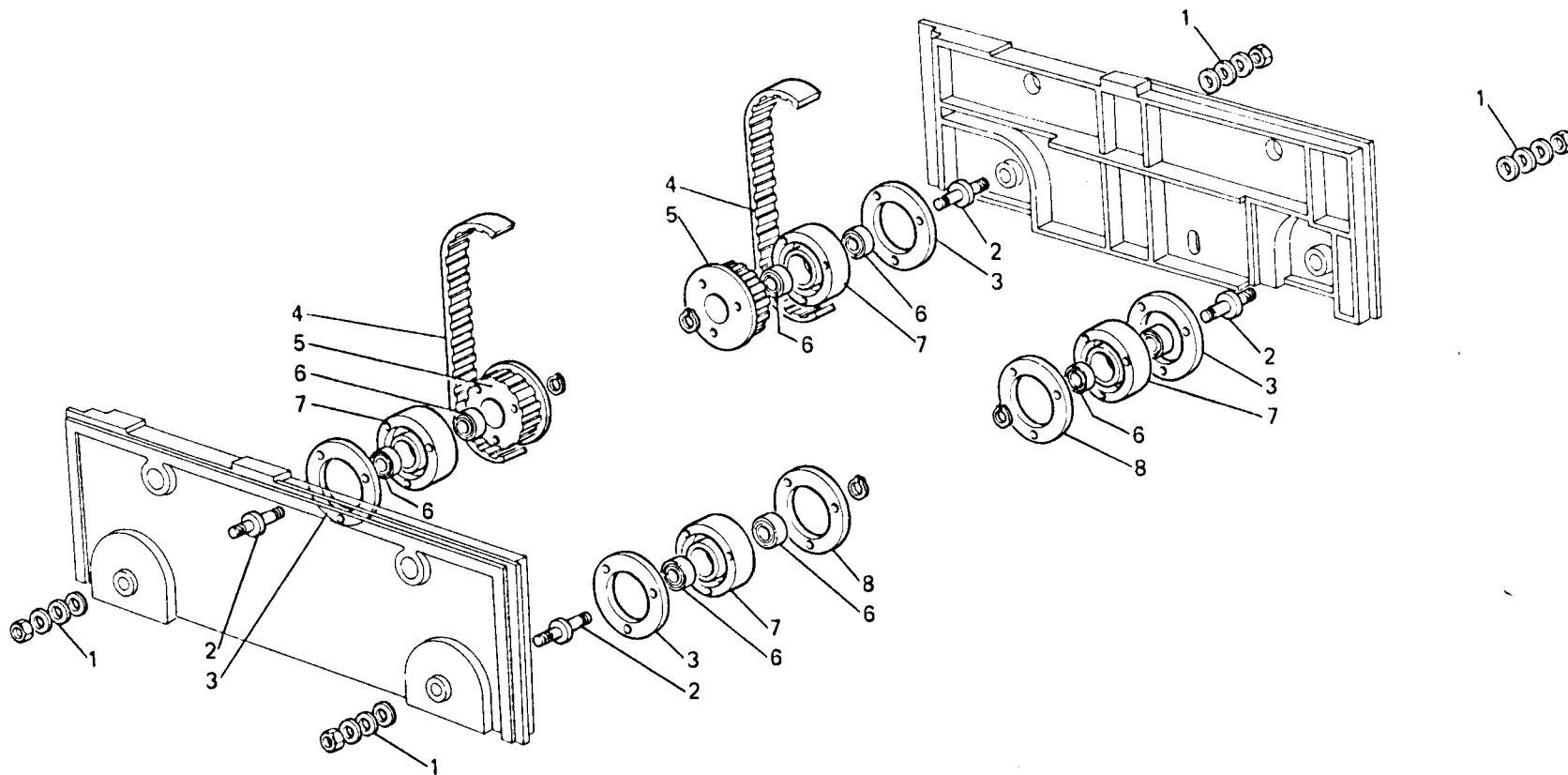
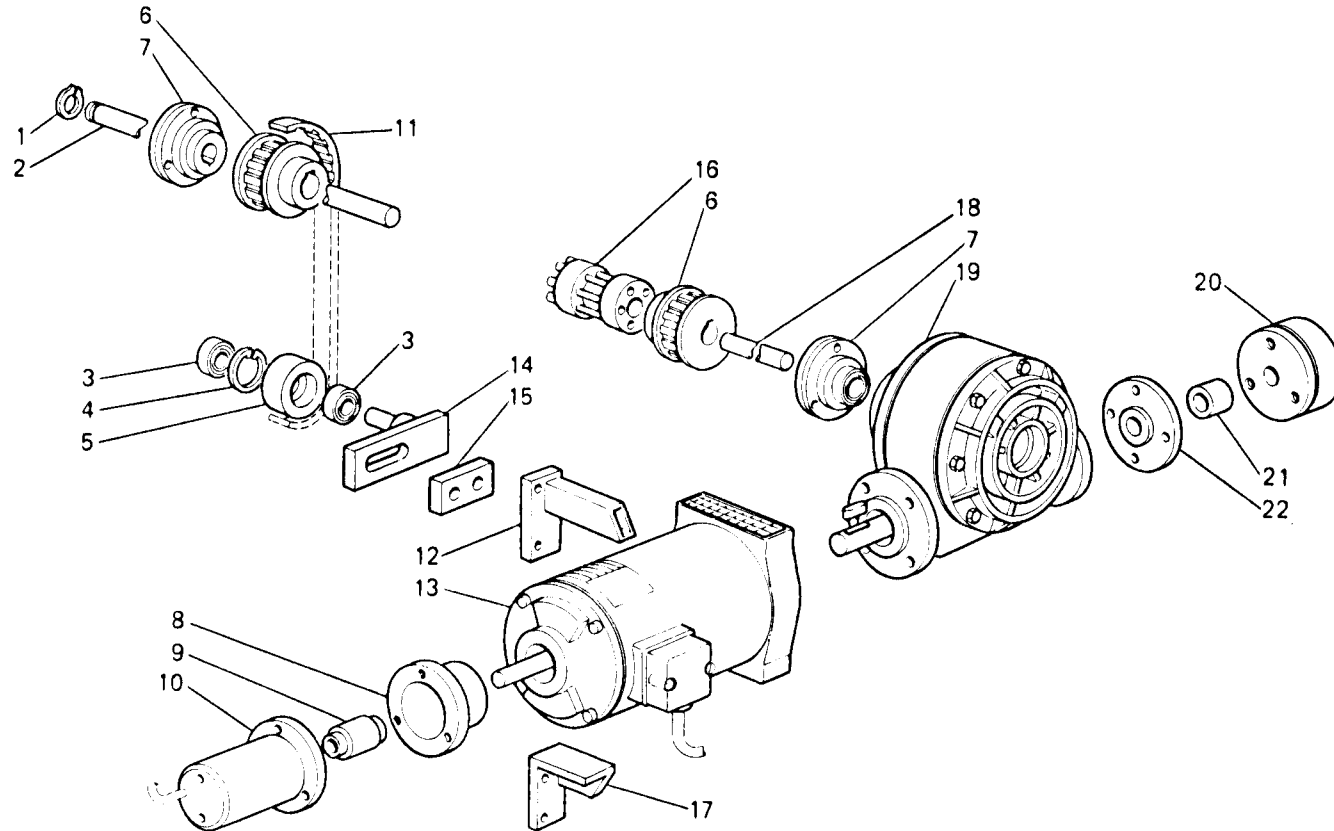


Fig. N.	Part. N. / Piece N.
---------	---------------------

- |    |              |
|----|--------------|
| 1  | RFN 98/312   |
| 2  | RFN 12/086/B |
| 3  | RFN CS/6202  |
| 4  | RFN 98/416   |
| 5  | RFN 12/065   |
| 6  | RFN 12/089   |
| 7  | RFN KOYO/25  |
| 8  | RFN 14/368   |
| 9  | RFN E/041/1  |
| 10 | RFN E/041    |
| 11 | RFN 12/254   |
| 12 | RFN 12/085/6 |
| 13 | RFN E/045    |
| 14 | RFN 12/066/1 |
| 15 | RFN 12/066/2 |
| 16 | RFN Giunto   |
| 17 | RFN 12/085/4 |
| 18 | RFN 12/086/A |
| 19 | RFN 12/085   |
| 20 | RFN E/043    |
| 21 | RFN 14/370   |
| 22 | RFN 14/369   |

Spazzole - Brushes - Balais de Charbon RFN 12/303/1



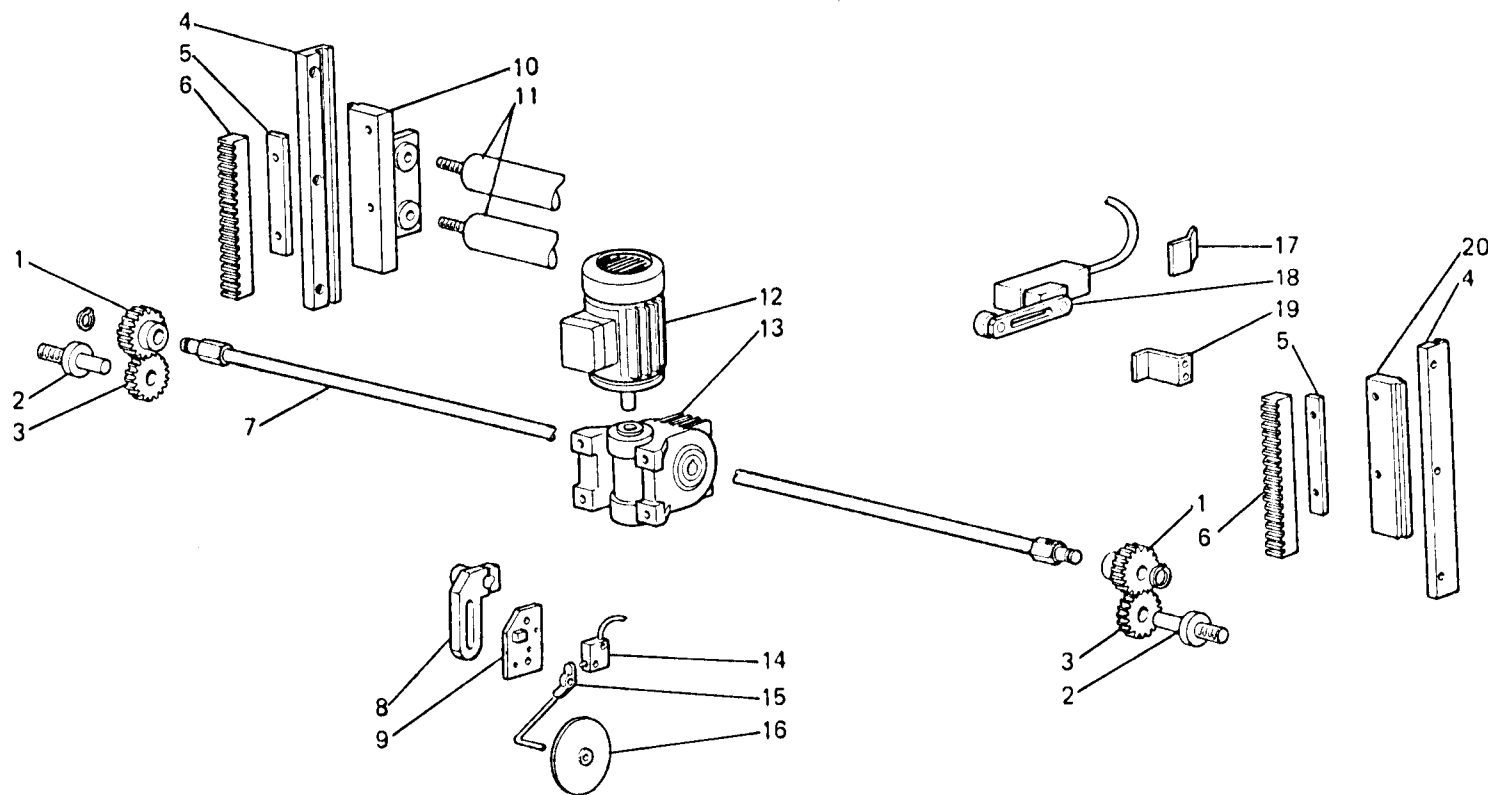
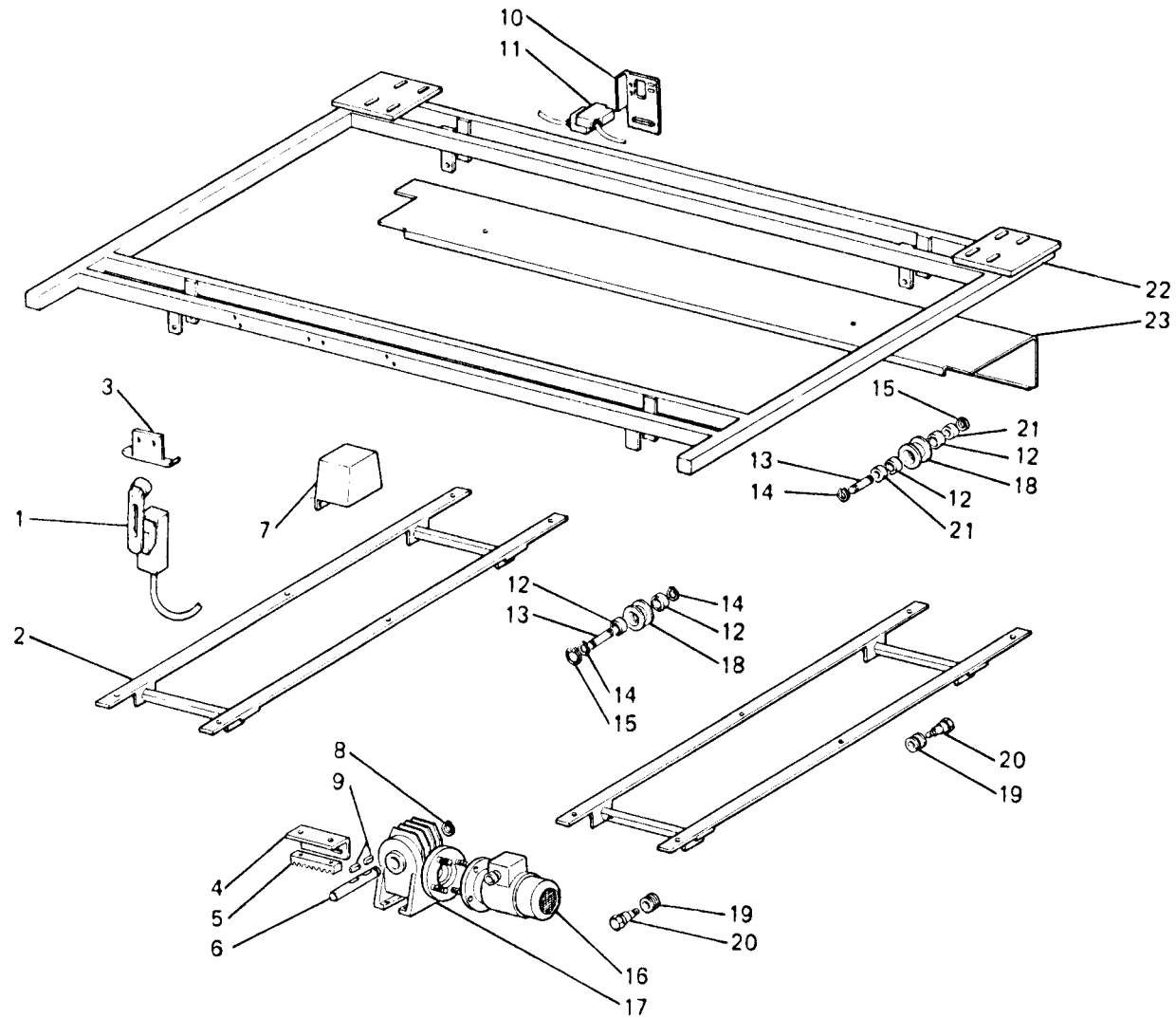


Fig. N.	Part. N. / Piece N.
1	RFN 12/094
2	RFN 12/094/4
3	RFN 12/094/2
4	RFN 12/123
5	RFN 14/048
6	RFN 14/047/1
7	RFN 12/090
8	RFN 12/127/1
9	RFN 12/131/1
10	RFN 13/008
11	RFN 13/010
12	RFN 12/252
13	RFN 12/253
14	RFN M/12/406
15	RFN 12/129
16	RFN 12/235
17	RFN 14/076
18	RFN XCK-S
19	RFN 14/077
20	RFN 13/009

# Rim® TAV. 5

Fig. N.	Part. N. / Peça N.
1	RFN XCK-S
2	RFN 14/101/1
3	RFN 14/119
4	RFN 14/106/2
5	RFN 14/107
6	RFN 14/104
7	RFN 25/042
8	RFN 98/316
9	RFN 98/234
10	RFN 25/041/1
11	RFN E/016
12	RFN CS/201
13	RFN 14/110
14	RFN 98/309
15	RFN 98/415
16	RFN 14/124/1
17	RFN 14/124
18	RFN 14/109
19	RFN 14/112
20	RFN 14/111
21	RFN 14/113
22	RFN 25/026
23	RFN 25/044



# Rim® TAV. 6

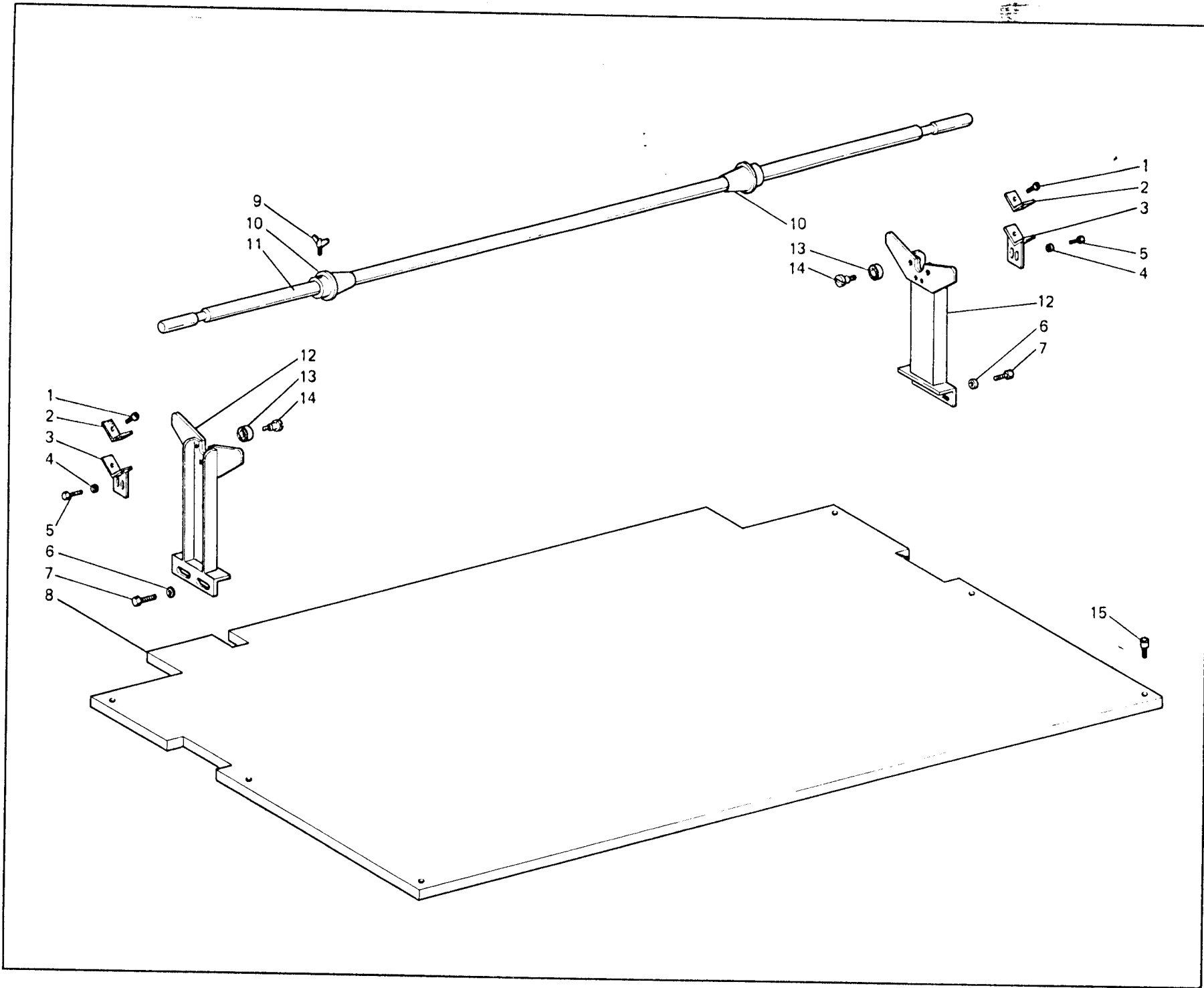
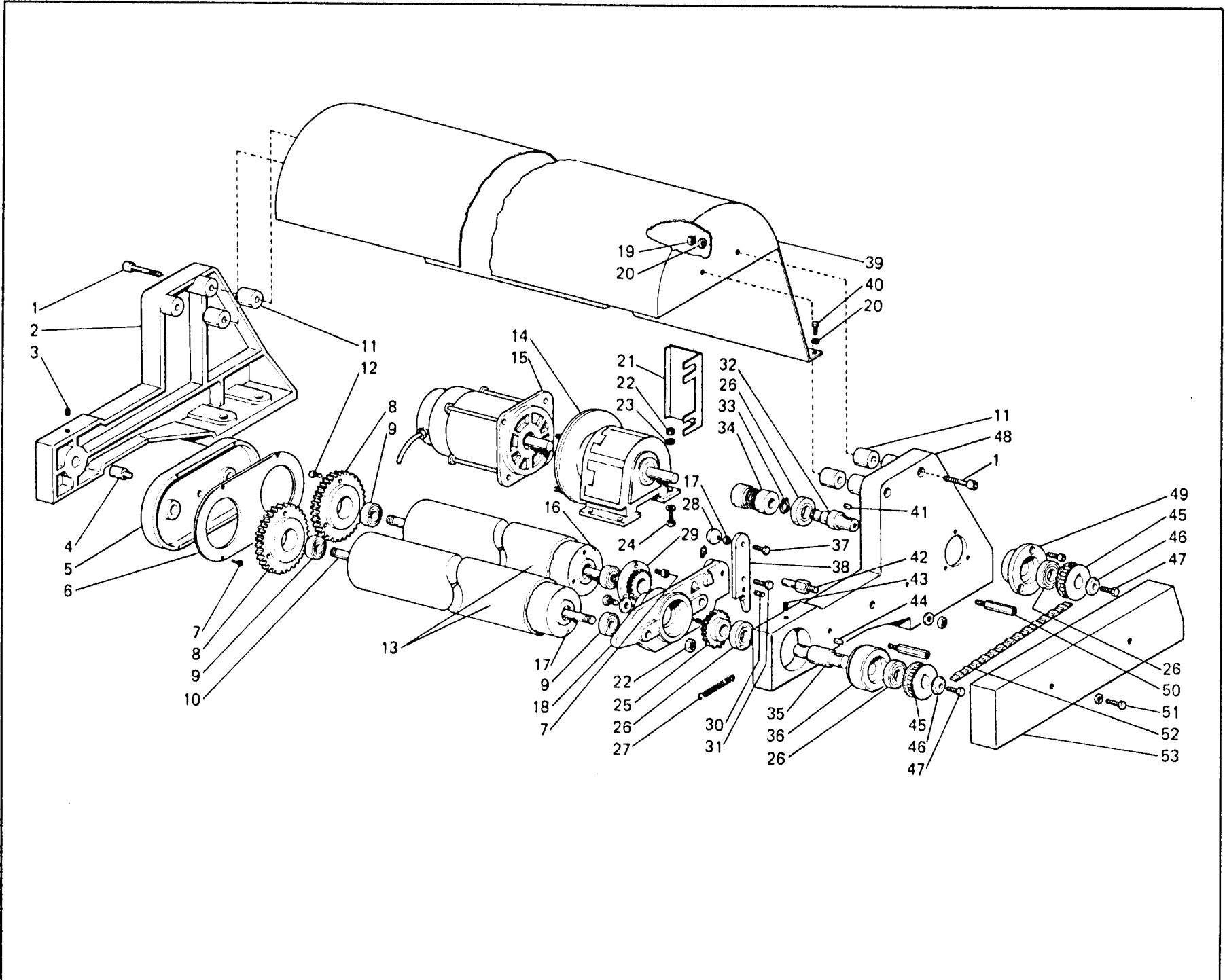


Fig. N.	Part. N. Piece N.
1	RFN 99/708
2	RFN 10/158
3	RFN 14/118
4	RFN 99/604
5	RFN 99/022
6	RFN 99/605
7	RFN 99/131
8	RFN 25/016/4
9	RFN 98/113
10	RFN 14/117
11	RFN 10/150/A
12	RFN 14/114
13	RFN CS/6000
14	RFN 14/115
15	RFN 99/245

# Rim<sup>®</sup> TAV. 7

Fig. N.	Part. N. Plece N.
1	RFN 99/120
2	RFN 14/005/S
3	RFN 99/442
4	RFN 14/313
5	RFN 14/312
6	RFN 14/320
7	RFN 99/218
8	RFN 14/309
9	RFN CS/6201
10	RFN 14/308
11	RFN 14/323
12	RFN 99/822
13	RFN 14/325
14	RFN E/048
15	RFN E/046
16	RFN 14/306
17	RFN 14/310
18	RFN 14/311
19	RFN 99/529
20	RFN 99/604
21	RFN 14/873
22	RFN 99/530
23	RFN 99/605
24	RFN 99/036
25	RFN 14/304
26	RFN CS/6004
27	RFN 14/317
28	RFN 14/319
29	RFN 14/307
30	RFN 14/318
31	RFN 14/315
32	RFN 25/023
33	RFN 98/313
34	RFN 25/024
35	RFN 25/028
36	RFN 25/027
37	RFN 99/024
38	RFN 14/314
39	RFN 14/322
40	RFN Autofil.
41	RFN 99/219
42	RFN 14/316
43	RFN 99/442/C
44	RFN 99/217
45	RFN 25/019
46	RFN 25/030
47	RFN 99/022
48	RFN 14/005/D
49	RFN 25/037
50	RFN 25/038
51	RFN 99/012
52	RFN 270/L100
53	RFN 25/031





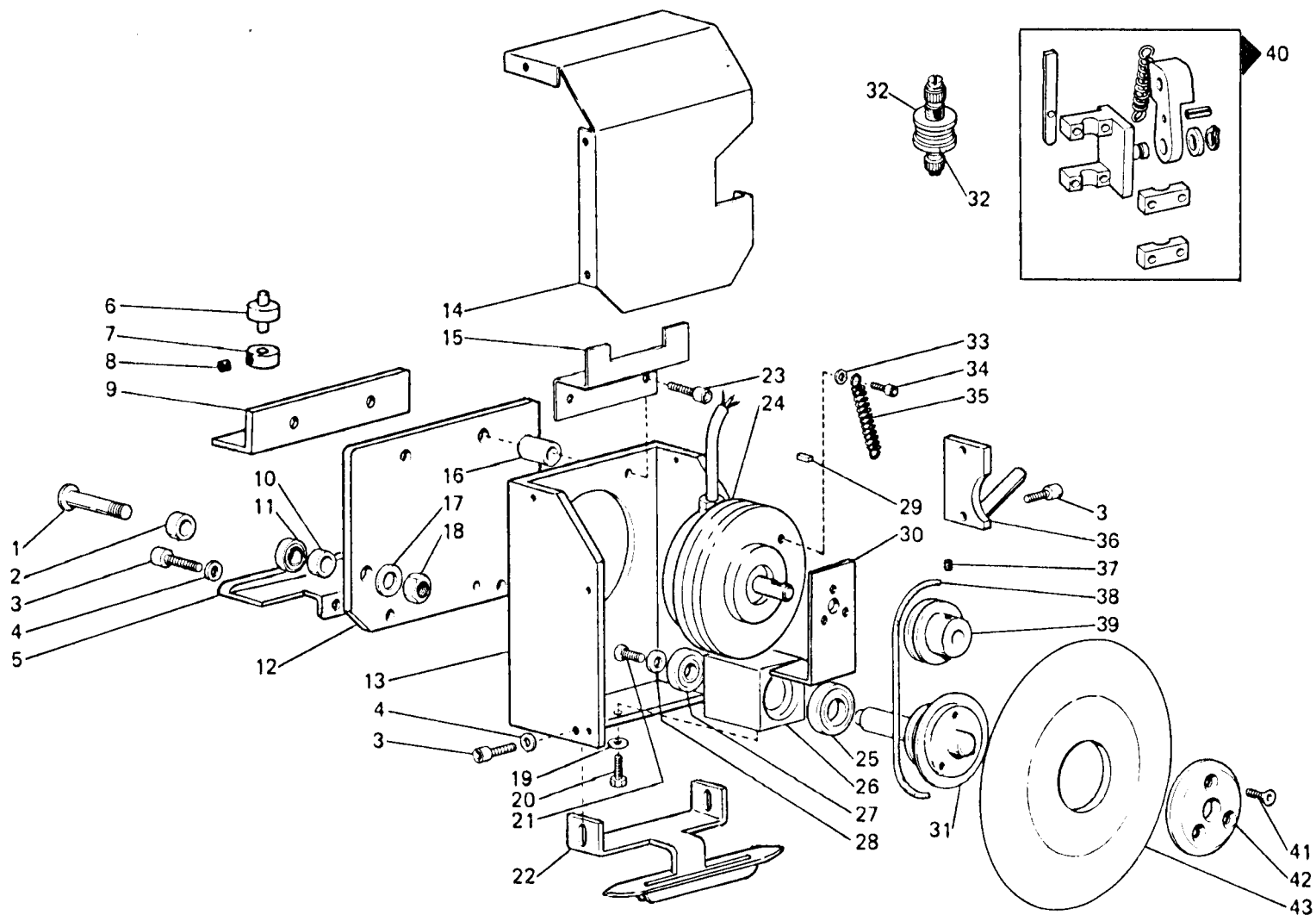
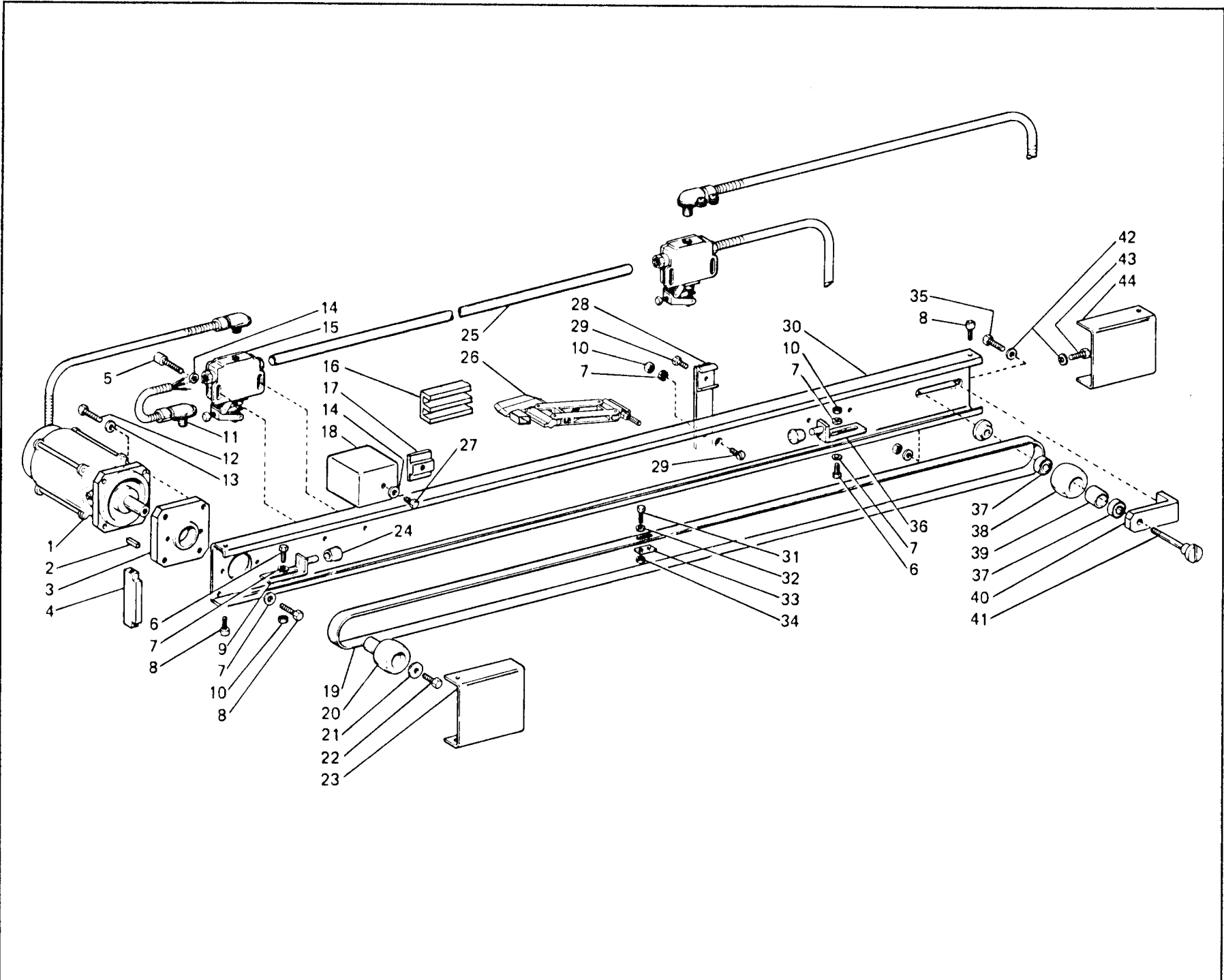


Fig. N.	Part. N. / Piece N.
1	RFN 12/416/T
2	RFN 12/516/T
3	RFN 99/218
4	RFN 99/603
5	RFN 12/431/T
6	RFN 12/442/T
7	RFN 12/441/T
8	RFN 12/443/T
9	RFN 12/408/T
10	RFN 12/517
11	RFN CS/6000/RS
12	RFN 12/417/T
13	RFN 12/419/T
14	RFN 12/428/T
15	RFN 12/430/T
16	RFN 12/420/T
17	RFN 99/606
18	RFN 99/531
19	RFN 99/604
20	RFN 99/022
21	RFN 89/822
22	RFN 12/429/T
23	RFN 99/246
24	RFN 12/437/T1
25	RFN CS/6002/2RS
26	RFN 12/421/T
27	RFN CS/6000/2RS
28	RFN 12/423/T
29	RFN 98/203
30	RFN 12/409/T
31	RFN 12/422/T
32	RFN 10/134
33	RFN 99/602
34	RFN 99/208
35	RFN 14/317
36	RFN 12/434/T
37	RFN 99/416
38	RFN 12/426/T
39	RFN 12/425/T1
40	RFN 10/130/G
41	RFN 99/321
42	RFN 12/424/T1
43	RFN 10/136/T1

# Rim® TAV. 9

Fig. N.	Part. N. Pecce N.
1	RFN 12/436/T
2	RFN 98/212
3	RFN 12/402/T
4	RFN 12/413/T
5	RFN 99/217
6	RFN 99/024
7	RFN 99/604
8	RFN 99/022
9	RFN 12/414/T
10	RFN 99/529
11	RFN 14/087
12	RFN 99/034
13	RFN 99/605
14	RFN 99/625
15	RFN 12/402
16	RFN 12/435/T1
17	RFN 12/435/T
18	RFN 14/075/1
19	RFN 12/439/T
20	RFN 12/411/T
21	RFN 12/412/T
22	RFN 99/218
23	RFN 12/415/T
24	RFN 12/438/T
25	RFN TU/EL13
26	RFN 12/435/T2
27	RFN 99/015
28	RFN 12/432/T
29	RFN 99/334
30	RFN 12/401
31	RFN 99/209
32	RFN 99/602
33	RFN 12/418/T
34	RFN 99/527
35	RFN 99/256
36	RFN 12/409/T
37	RFN CS/6000/2RS
38	RFN 12/405/T
39	RFN 12/516
40	RFN 12/403/T
41	RFN 12/404/T
42	RFN 12/407
43	RFN 99/050/2
44	RFN 12/410/T



# Rim® TAV.10

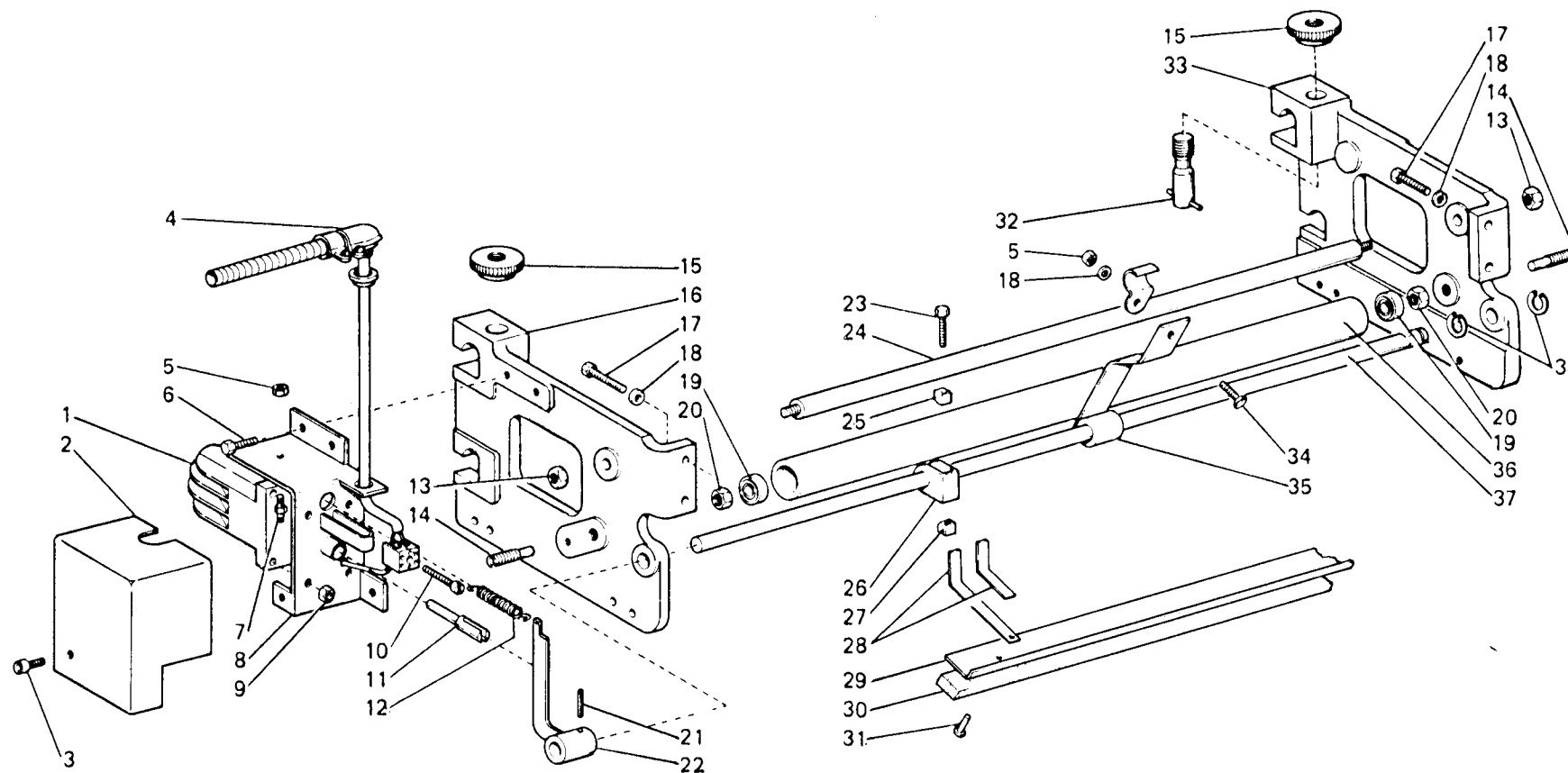
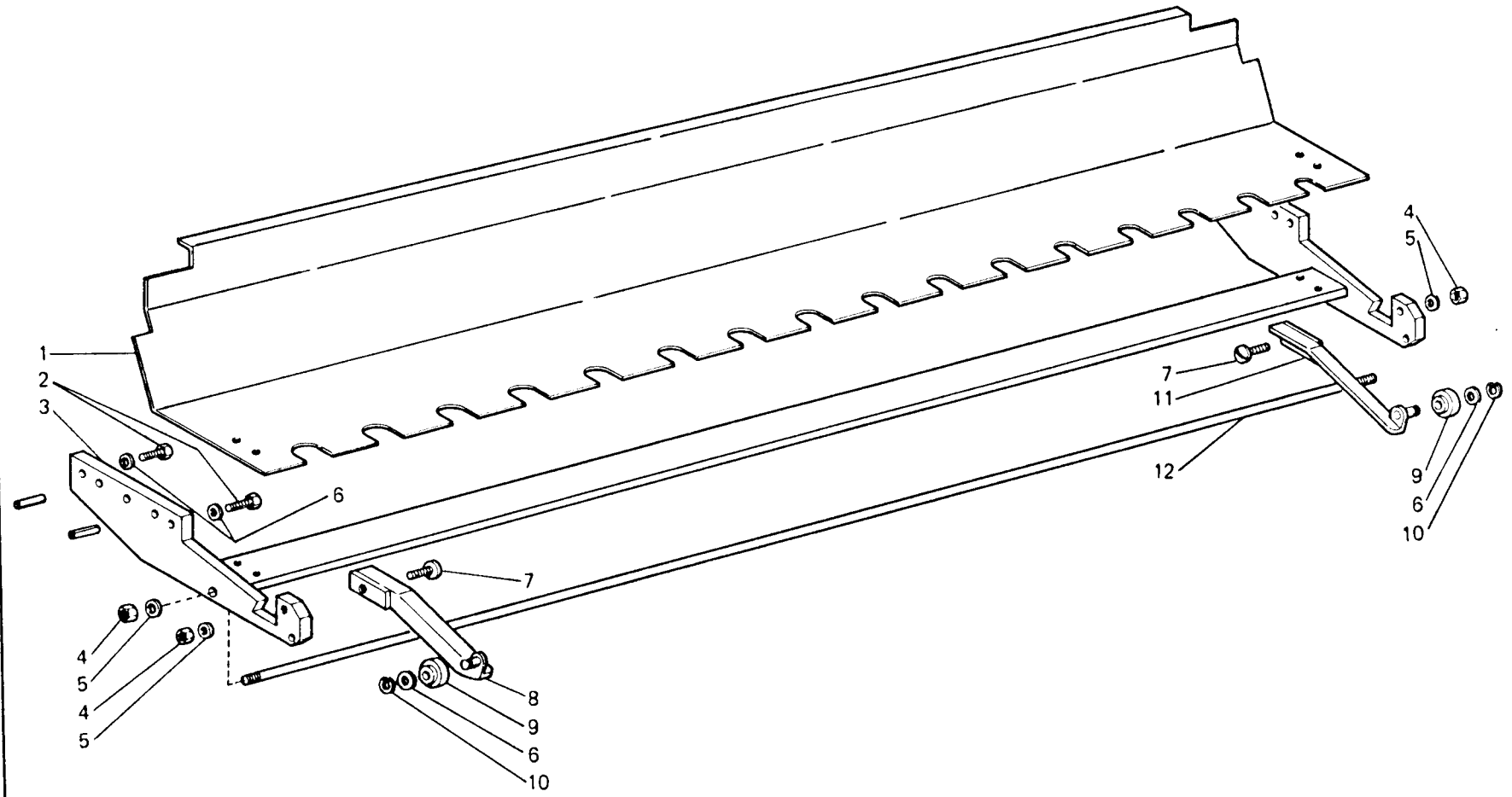


Fig. N.	Part. N. / Piece N.
1	RFN 14/067
2	RFN 14/063
3	RFN 99/208
4	RFN 14/087
5	RFN 99/529
6	RFN 99/217
7	RFN 81/15
8	RFN 14/052
9	RFN 99/528
10	RFN 99/809
11	RFN 14/053
12	RFN 14/055
13	RFN 97/008
14	RFN 14/065
15	RFN 14/033
16	RFN 13/002
17	RFN 99/334
18	RFN 99/604
19	RFN CS/608/Z
20	RFN 99/532
21	RFN 98/011
22	RFN 14/051
23	RFN 99/015
24	RFN 13/011
25	RFN 14/060
26	RFN 14/058
27	RFN 14/059
28	RFN 14/061/A
29	RFN 14/062
30	RFN 14/063/A
31	RFN 14/062/B
32	RFN 13/032
33	RFN 13/001
34	RFN 99/333
35	RFN 14/057
36	RFN 14/064
37	RFN 14/049
38	RFN 98/310/B

# Rim® TAV.11

Fig. N. Part. N.  
N. Piece N.

- 1 RFN 14/066
- 2 RFN 99/024
- 3 RFN 14/082
- 4 RFN 97/006
- 5 RFN 99/605
- 6 RFN 99/604
- 7 RFN 14/088/1
- 8 RFN 14/085/1
- 9 RFN 90/58/1
- 10 RFN 98/304
- 11 RFN 14/084/1
- 12 RFN 14/082/3



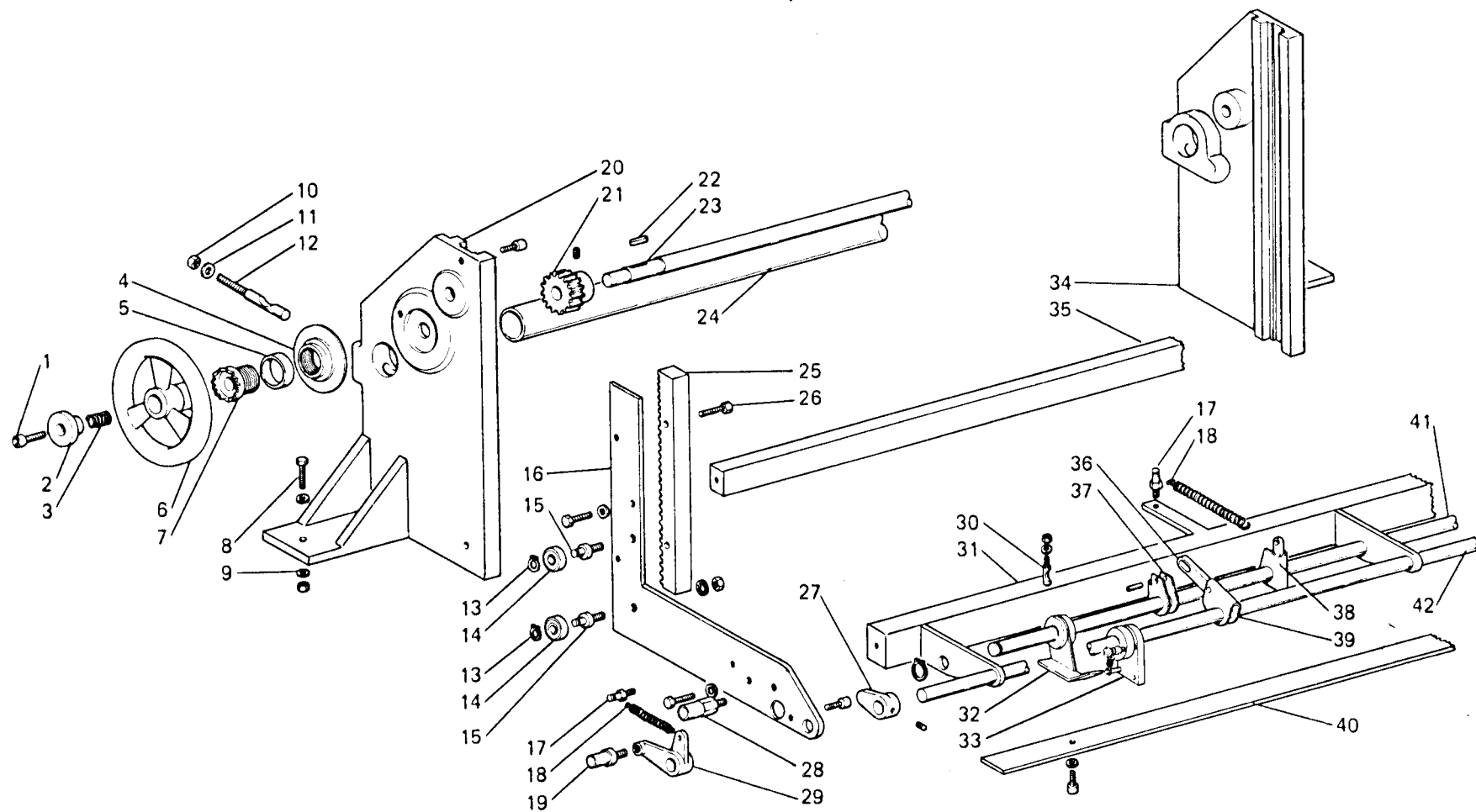
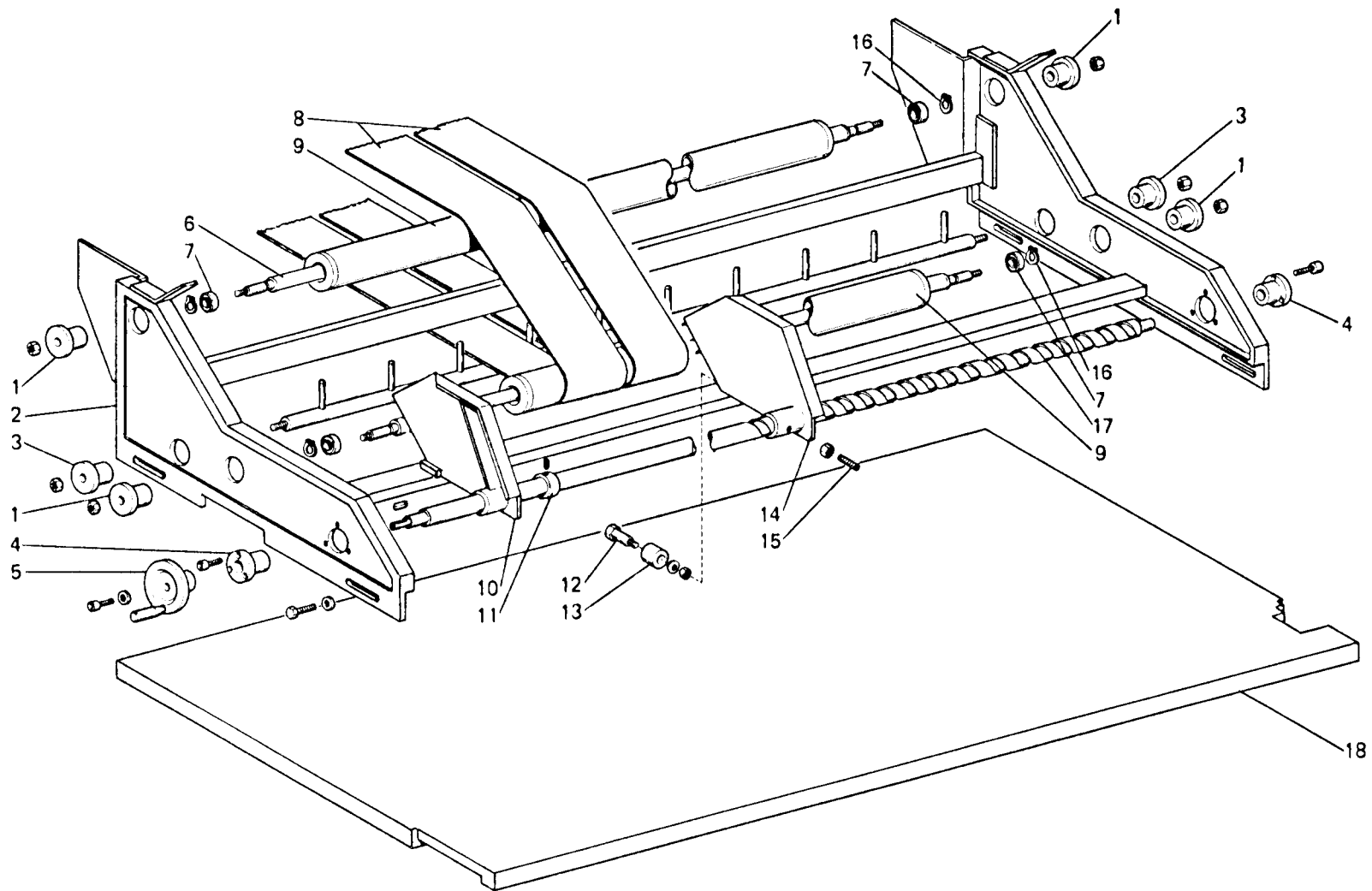


Fig. N.	Part. N. / Piece N.
1	RFN Z/99/229
2	RFN 08/108
3	RFN 08/122
4	RFN 08/120
5	RFN 14/702
6	RFN 08/107
7	RFN 08/105
8	RFN Z/99/034
9	RFN Z/99/605
10	RFN Z/99/532
11	RFN Z/99/607
12	RFN 14/604
13	RFN Z/98/308
14	RFN VC/6000
15	RFN 14/610
16	RFN 14/703/1
17	RFN 08/115
18	RFN 14/710
19	RFN 14/709
20	RFN 14/601
21	RFN 14/606
22	RFN Z/98/210
23	RFN 14/701
24	RFN 14/603
25	RFN 14/609
26	RFN Z/99/233
27	RFN 14/711
28	RFN 14/712
29	RFN 14/708
30	RFN 14/718
31	RFN 14/705/1
32	RFN 14/750
33	RFN 14/754/C
34	RFN 14/602
35	RFN 14/613
36	RFN 14/722/1
37	RFN 14/727
38	RFN 14/726
39	RFN 14/721
40	RFN 14/720
41	RFN 14/707
42	RFN 14/706

# Rim® TAV.13

Fig. N. Part. N.  
N. Pièce N.

- 1 RFN 14/973
- 2 RFN 14/970
- 3 RFN 14/977
- 4 RFN 14/980
- 5 RFN 14/988
- 6 RFN 14/972
- 7 RFN VC/6004
- 8 RFN 14/995
- 9 RFN 14/971
- 10 RFN 14/986
- 11 RFN 14/987
- 12 RFN 14/983
- 13 RFN 14/984
- 14 RFN 14/985
- 15 RFN 14/993
- 16 RFN Z/98/309
- 17 RFN 14/981
- 18 RFN 25/016/3



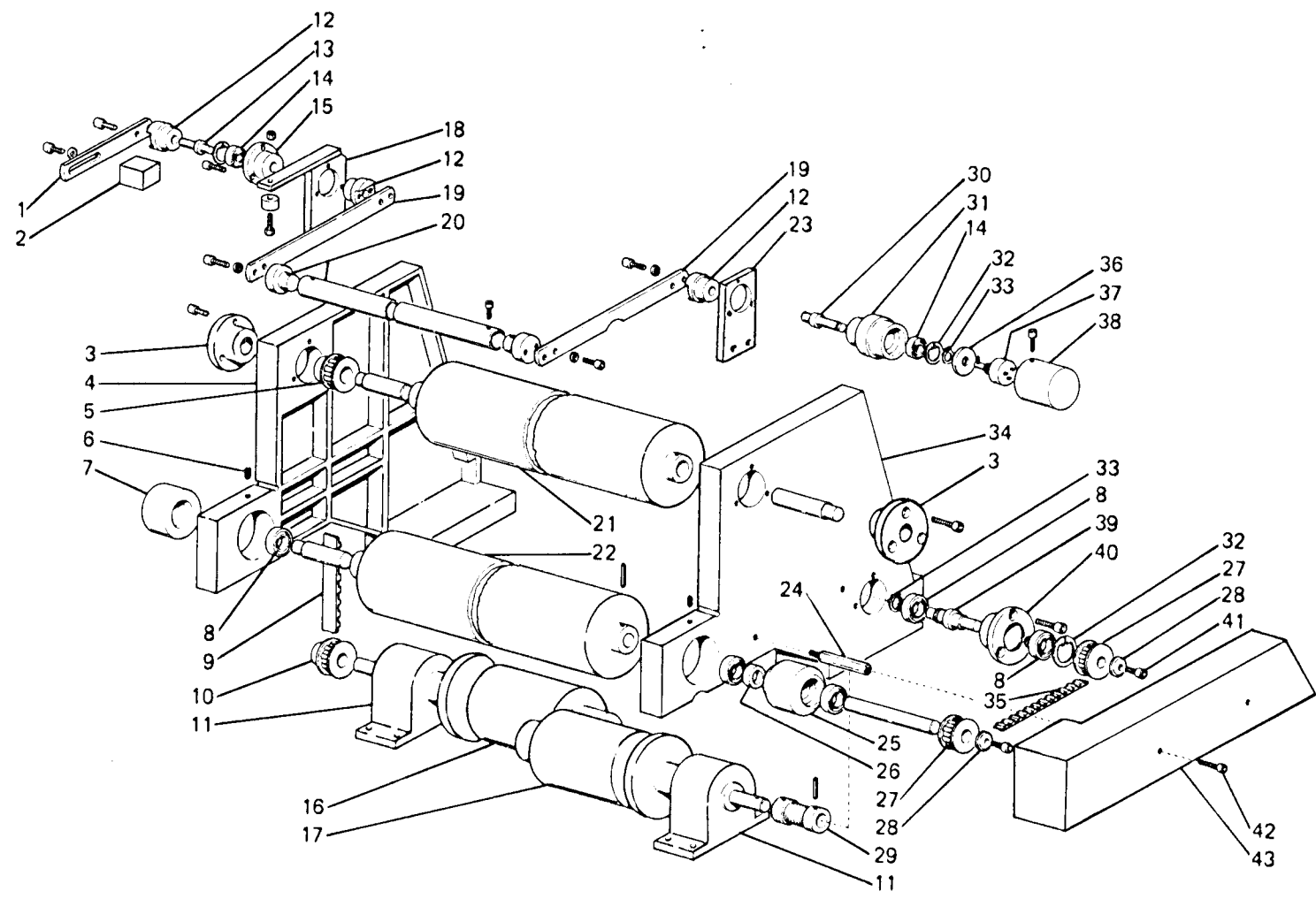
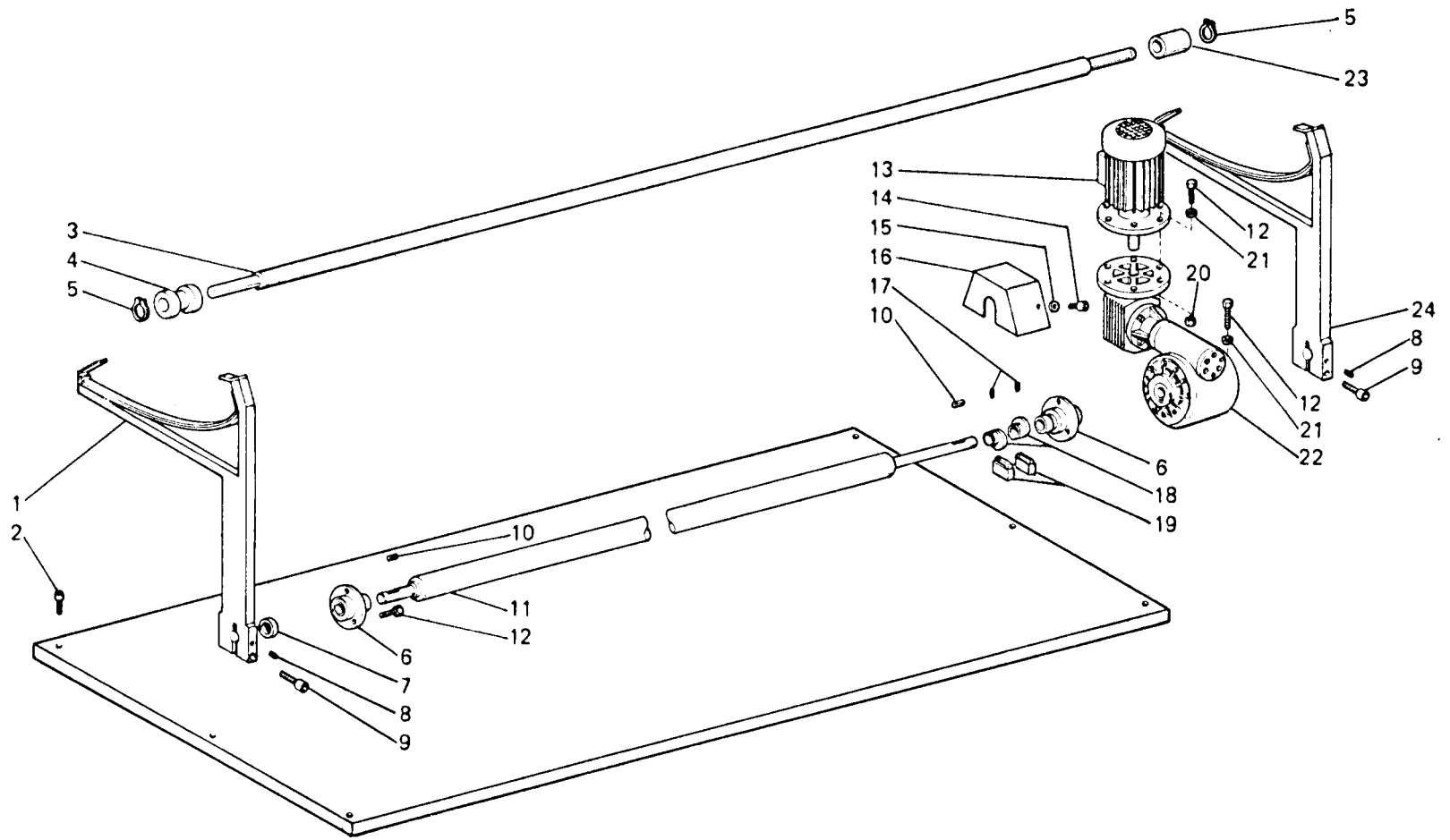


Fig. N.	Part. N. / Piece N.
1	RFN 25/009
2	RFN 25/008
3	RFN KOYO
4	RFN 25/021
5	RFN 25/032
6	RFN Z/99/431
7	RFN 25/035
8	RFN VC/6004
9	RFN 285/L100
10	RFN 25/033
11	RFN E/048
12	RFN 25/010
13	RFN 25/011
14	RFN VC/6001
15	RFN 25/012
16	RFN E/046/1
17	RFN E/046
18	RFN 25/004
19	RFN 25/013
20	RFN 25/014
21	RFN 25/017
22	RFN 25/025
23	RFN 25/003
24	RFN 25/038
25	RFN 25/027
26	RFN 25/029
27	RFN 25/019
28	RFN 25/030
29	RFN 25/024
30	RFN 25/007
31	RFN 25/002
32	RFN Z/98/419
33	RFN Z/98/309
34	RFN 25/020
35	RFN 270/L100
36	RFN 25/001
37	RFN E/006
38	RFN 25/005
39	RFN 25/023
40	RFN 25/037
41	RFN Z/99/231
42	RFN Z/99/220
43	RFN 25/031/1

# Rim® TAV.15

Fig. N.	Part. N. Pèce N.
1	RFN 14/994/D
2	RFN Z/99/245
3	RFN 14/992
4	RFN 14/989
5	RFN Z/98/313
6	RFN VC/KOYO/25
7	RFN 20/017
8	RFN Z/99/442/C
9	RFN Z/99/261
10	RFN Z/98/234
11	RFN 20/016
12	RFN Z/99/026
13	RFN 20/002/1
14	RFN Z/99/218
15	RFN Z/99/603
16	RFN 20/021
17	RFN Z/99/421/C
18	RFN 20/018
19	RFN M/20/005
20	RFN Z/99/530
21	RFN Z/99/605
22	RFN 20/002
23	RFN 14/990
24	RFN 14/994/S





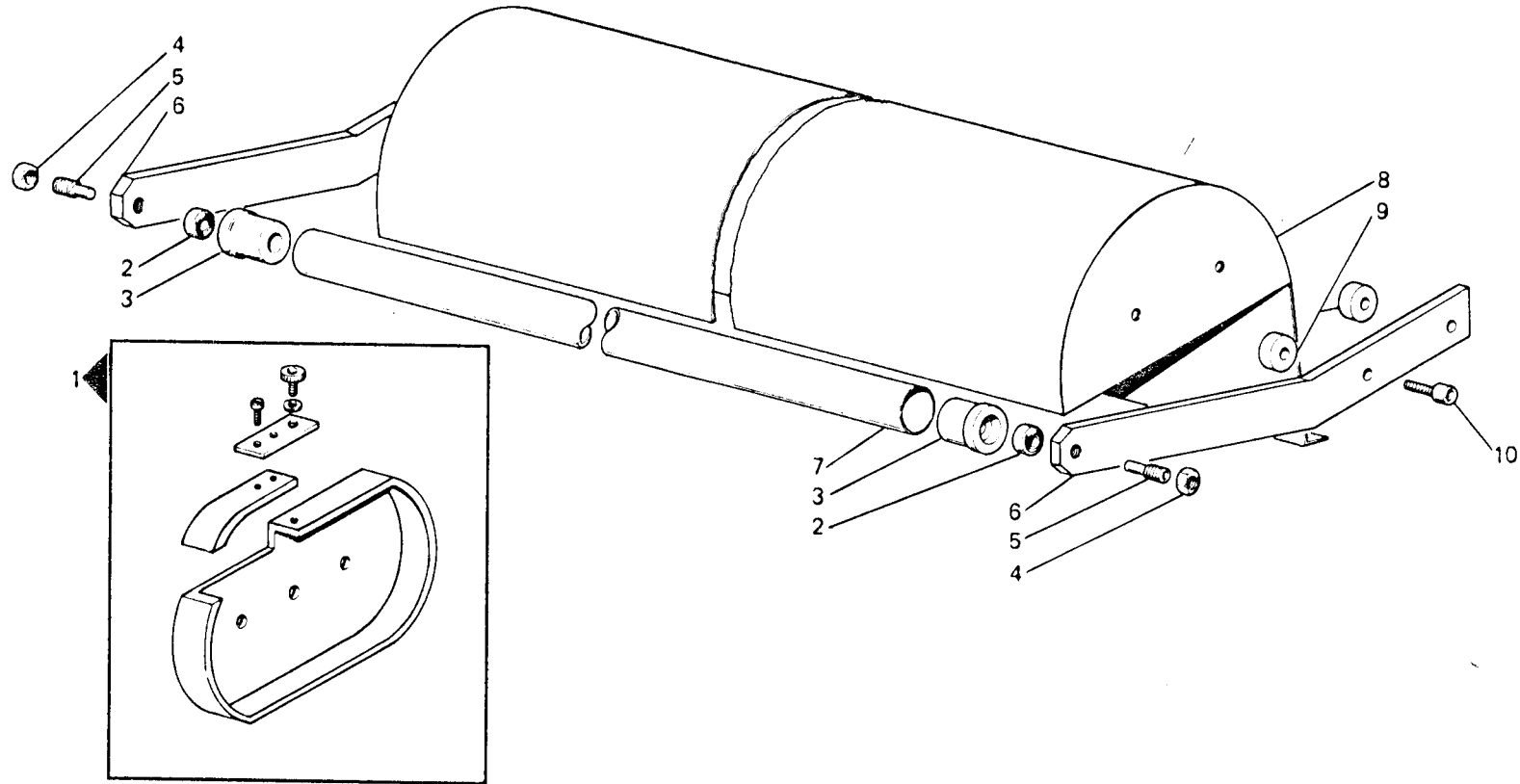
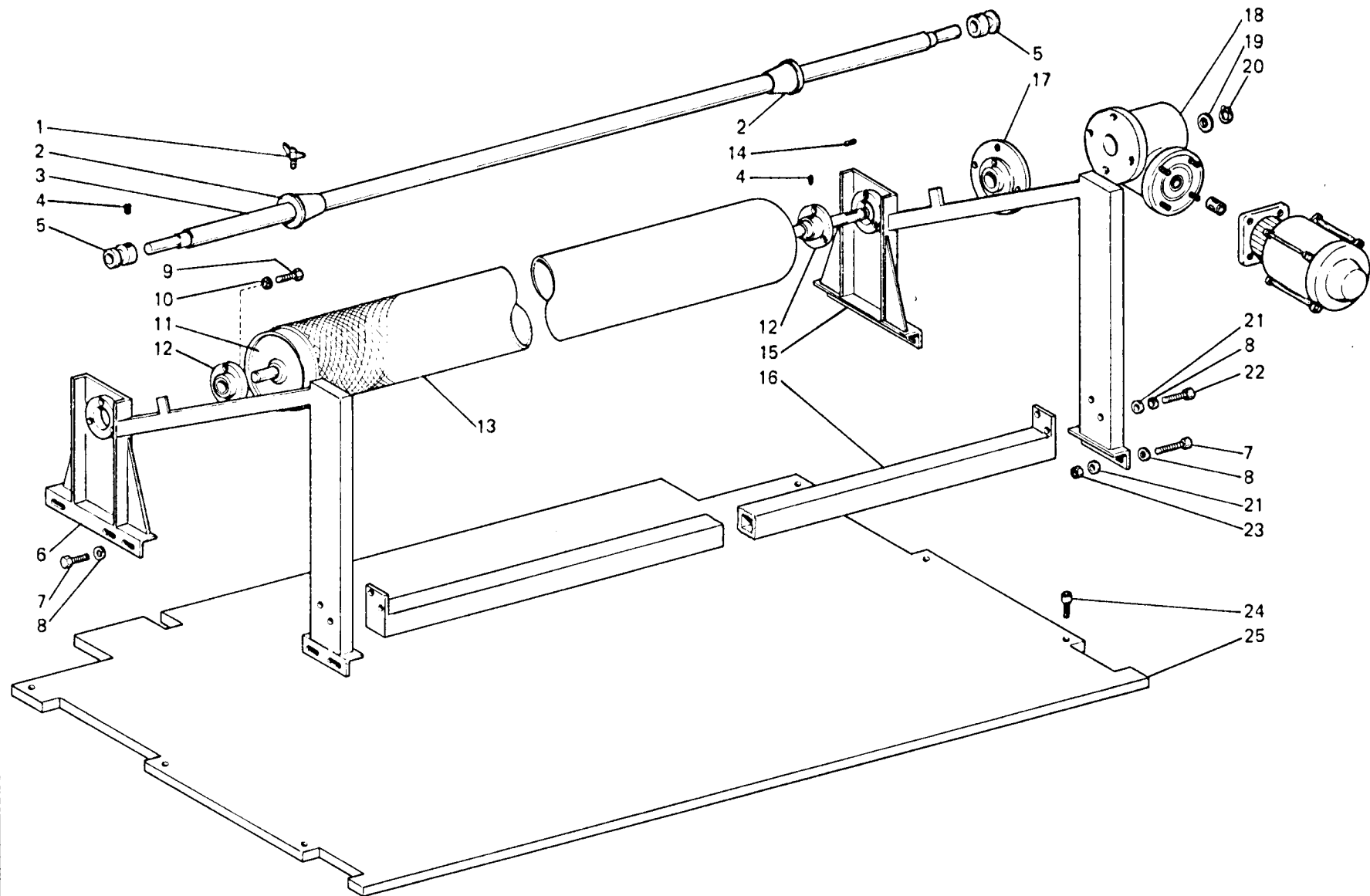


Fig. N.	Part. N. Piese N.
1	RFN 14/312
2	RFN VC/608
3	RFN 12/227
4	RFN Z/99/532
5	RFN 14/065
6	RFN 14/826
7	RFN 14/827
8	RFN 14/322
9	RFN 14/323
10	RFN Z/99/120

# Rim<sup>®</sup> TAV.17

Fig. N.	Part. N. / Piece N.
---------	---------------------

- |    |                |
|----|----------------|
| 1  | RFN 98/113     |
| 2  | RFN 14/869     |
| 3  | RFN 14/866/1   |
| 4  | RFN 99/431/A   |
| 5  | RFN 15/045     |
| 6  | RFN 14/851     |
| 7  | RFN 99/132     |
| 8  | RFN 99/627     |
| 9  | RFN 99/024     |
| 10 | RFN 99/626     |
| 11 | RFN 14/854     |
| 12 | RFN KOYO/25    |
| 13 | RFN 14/870     |
| 14 | RFN 98/234     |
| 15 | RFN 14/852     |
| 16 | RFN 14/853     |
| 17 | RFN 14/855     |
| 18 | RFN 14/856     |
| 19 | RFN 12/055     |
| 20 | RFN 98/313     |
| 21 | RFN 99/605     |
| 22 | RFN 99/137     |
| 23 | RFN 99/506     |
| 24 | RFN 99/245     |
| 25 | RFN 25/016/5   |
| 26 | RFN Adattatore |
| 27 | RFN E/046/2    |



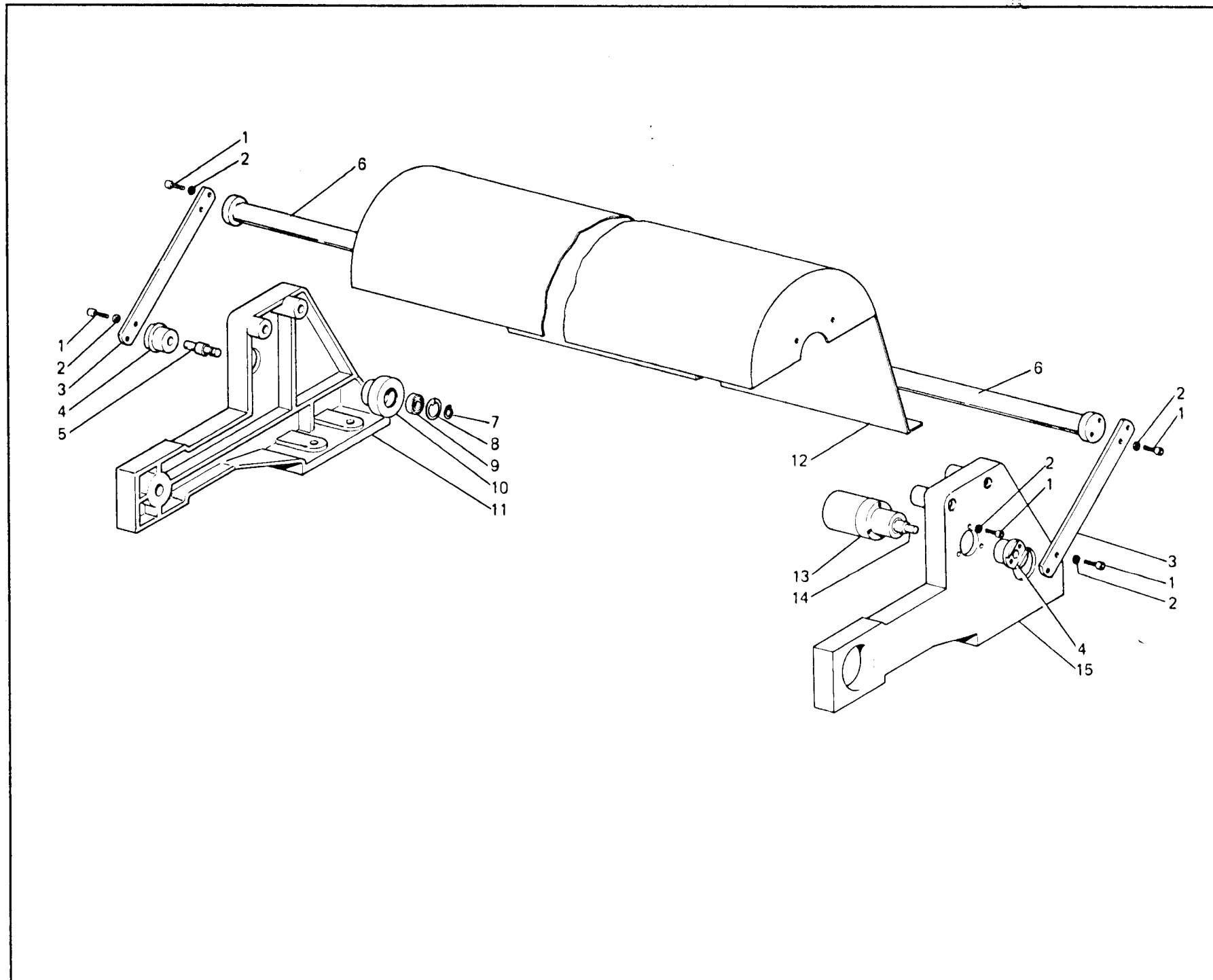
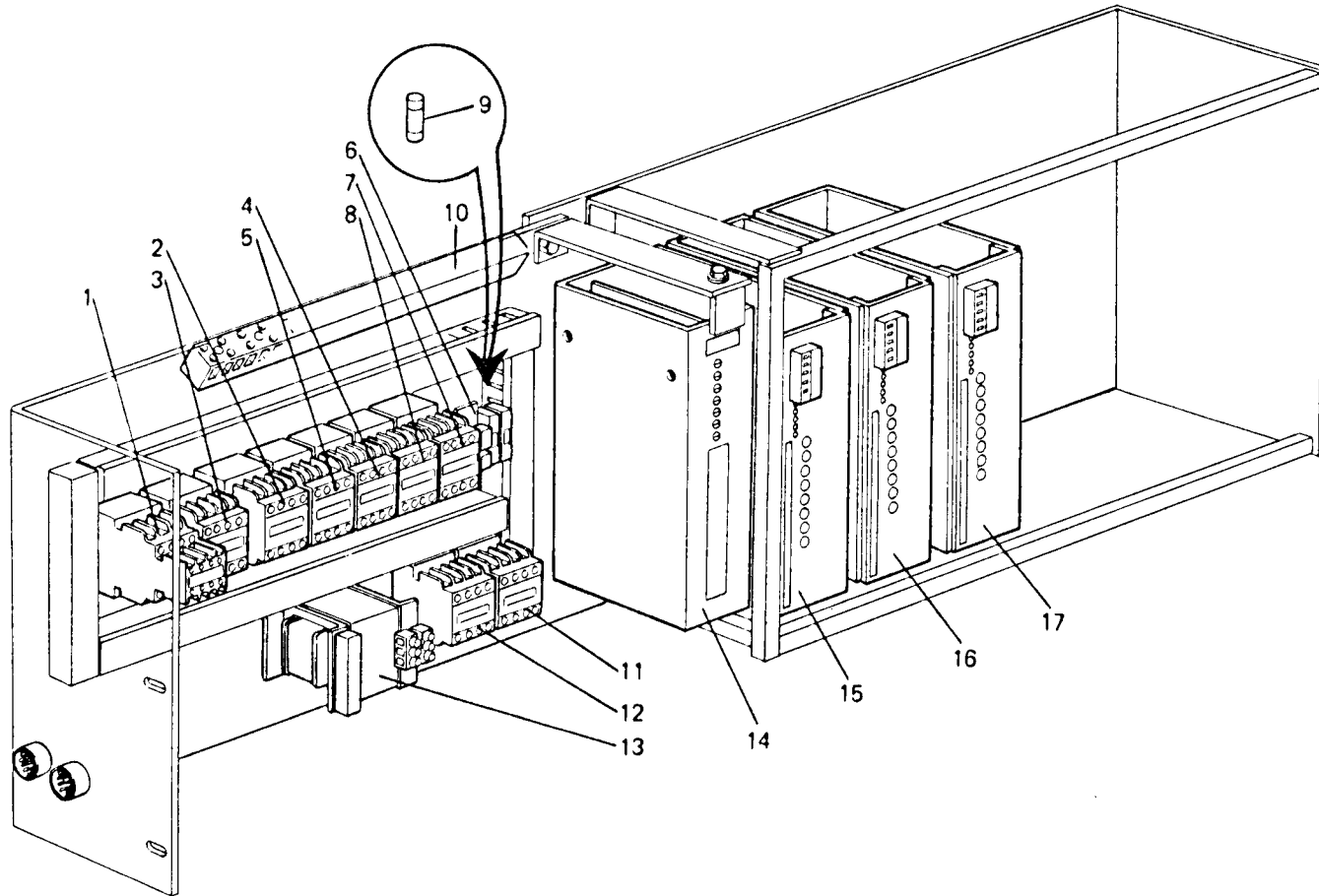


Fig. N.	Part. N. Piese N.
1	RFN 99/218
2	RFN 99/603
3	RFN 25/704
4	RFN 25/010
5	RFN 25/011
6	RFN 25/706
7	RFN 98/309
8	RFN 98/413
9	RFN CS/6001
10	RFN 25/012
11	RFN 25/702
12	RFN 14/322
13	RFN 25/707
14	RFN 25/708
15	RFN 25/701

# Rim® TAV.19

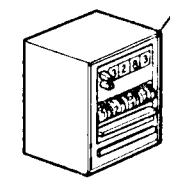
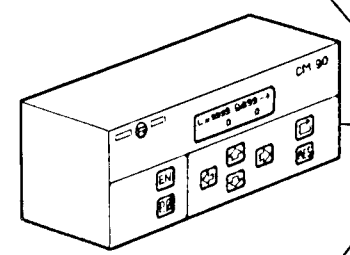
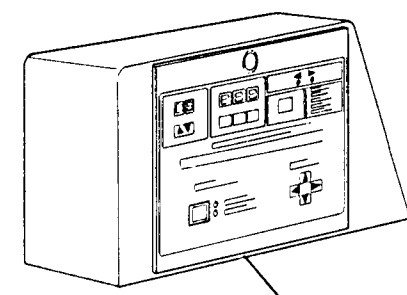
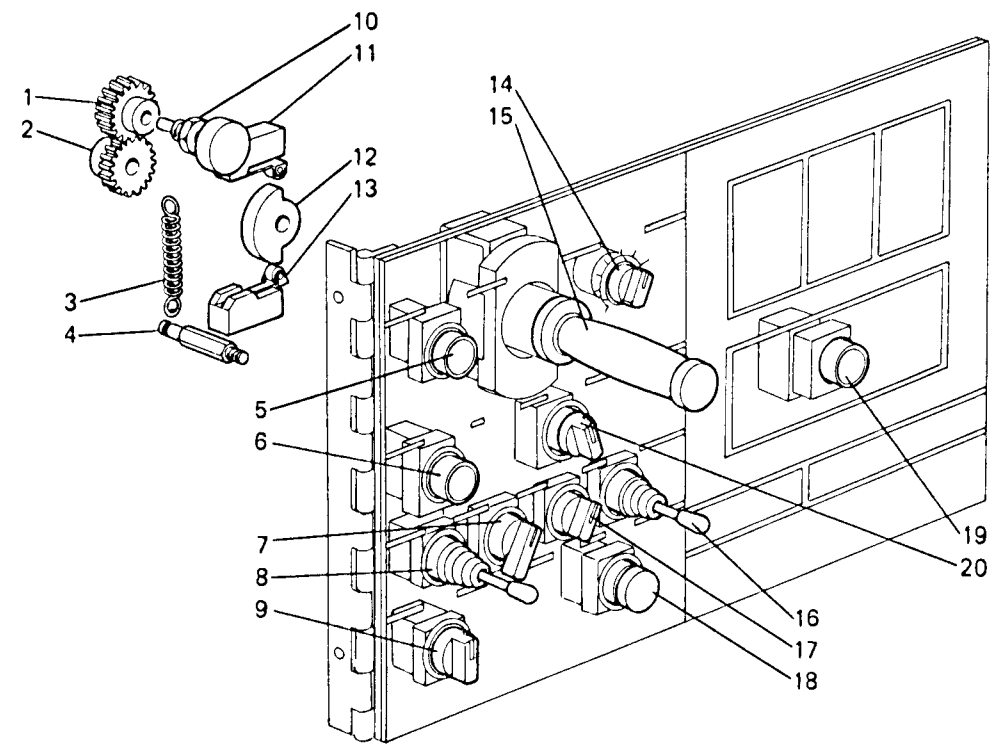
Fig. N.	Part. N. Pecce N.
1	RFN K1
2	RFN K3
3	RFN K2
4	RFN K5
5	RFN K4
6	RFN KP2
7	RFN K7
8	RFN K6
9	RFN F
10	RFN XA
11	RFN K9
12	RFN K8
13	RFN T1VA
14	RFN A1
15	RFN U1
16	RFN U2
17	RFN U3



# Rim® TAV.20

Fig. N.	Part. N. Piece N.
---------	-------------------

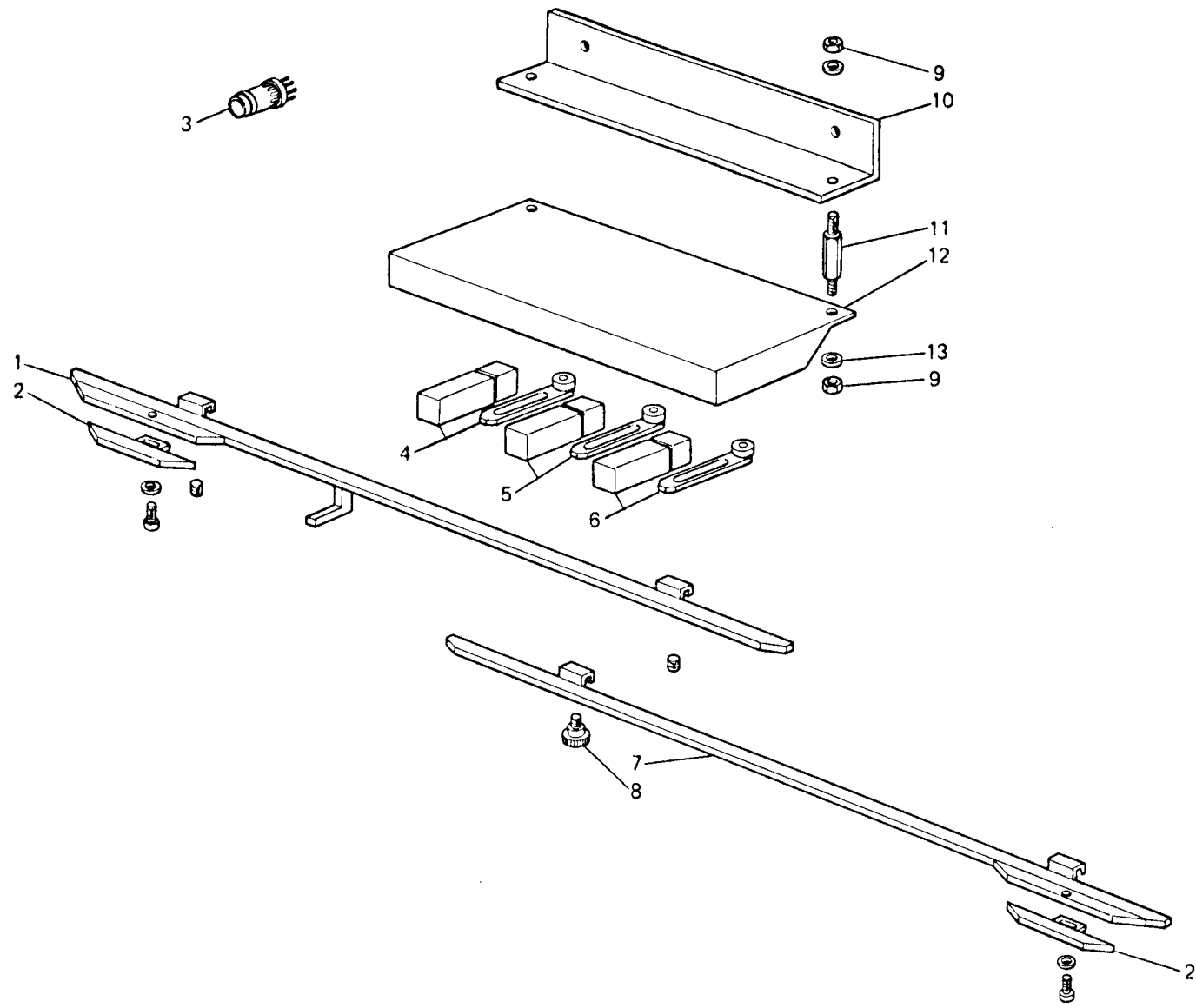
1	RFN 14/293
2	RFN 14/294
3	RFN 14/298
4	RFN 14/296/1
5	RFN SP6
6	RFN SP11
7	RFN SP18
8	RFN SP12
9	RFN RR
10	RFN RRVM
11	RFN SM15
12	RFN 14/285
13	RFN SM16
14	RFN RRV
15	RFN 14/280/G
16	RFN SP3
17	RFN SP17
18	RFN SP1
19	RFN SP16
20	RFN SP9
21	RFN CM92
22	RFN CM90
23	RFN P1



IN ALTERNATIVA  
ALTERNATELY  
EN ALTERNATIVE

# Rim<sup>®</sup> TAV.21

Fig. N.	Part. N. Piese N.
1	RFN E/073
2	RFN E/070
3	RFN E/027
4	RFN SM18
5	RFN SM19
6	RFN SM20
7	RFN E/074
8	RFN 12/195/1
9	RFN 99/530
10	RFN 12/193
11	RFN E/072
12	RFN E/069
13	RFN 99/627



# Rim® TAV.22

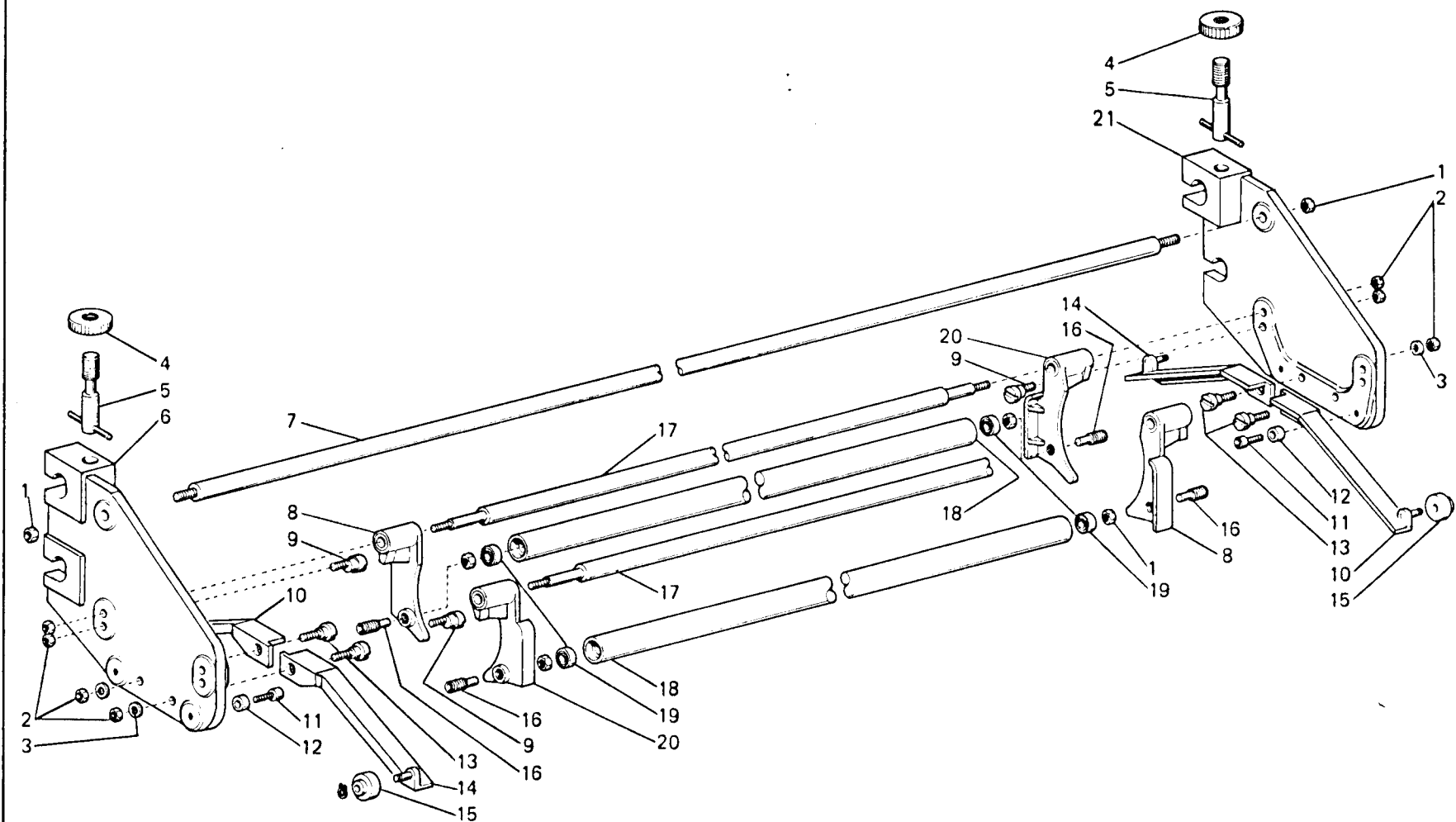
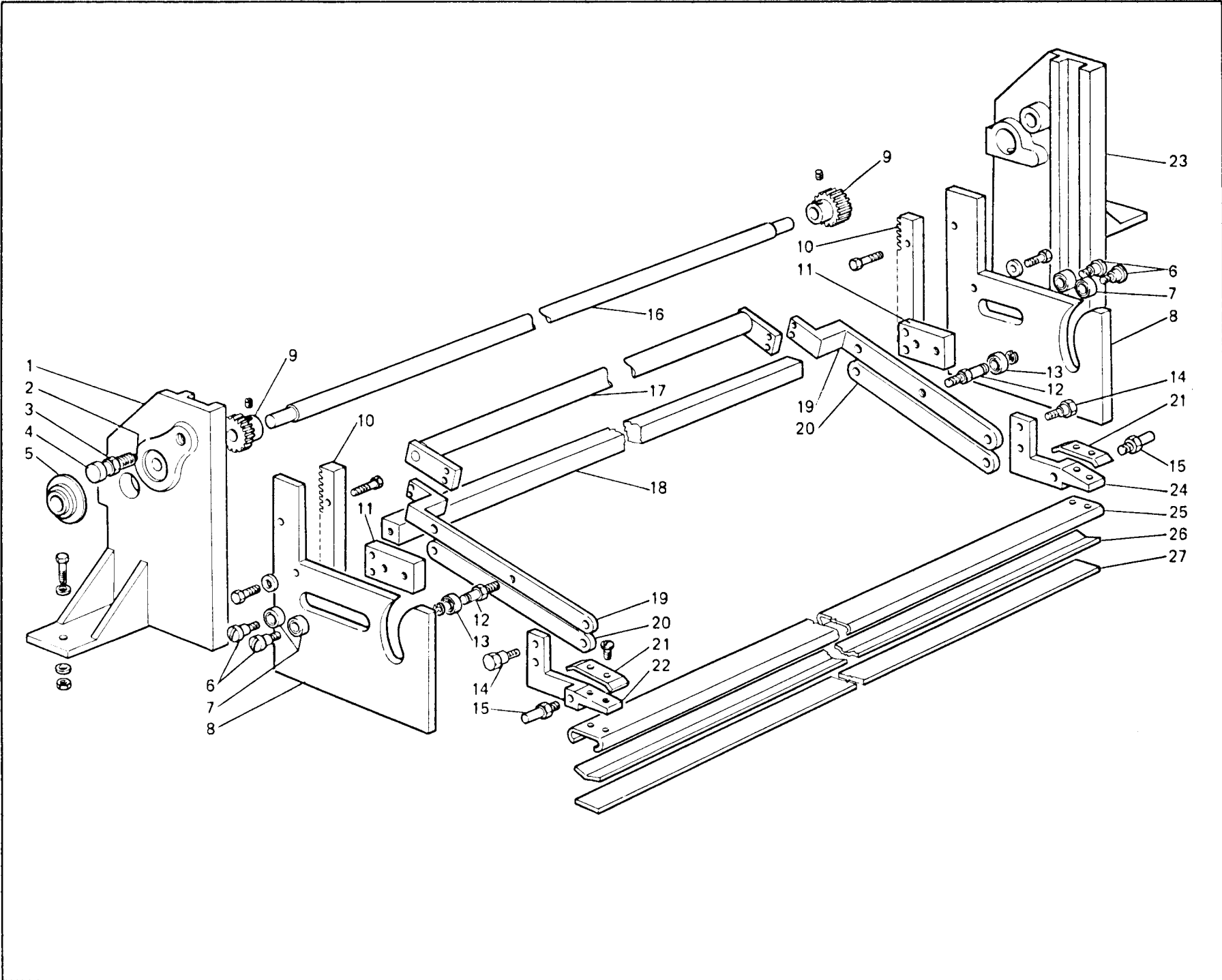


Fig. N.	Part. N. Pice N.
1	RFN Z/99/532
2	RFN Z/99/530
3	RFN Z/99/605
4	RFN 13/033/1
5	RFN 13/032/1
6	RFN 13/004/1
7	RFN 13/011
8	RFN 13/013/S
9	RFN 13/041
10	RFN 13/016/1
11	RFN Z/99/229
12	RFN 14/088
13	RFN 13/018/1
14	RFN 13/017/1
15	RFN 09/058/1
16	RFN 14/065/1
17	RFN 13/012
18	RFN 13/015/1
19	RFN VC/0608
20	RFN 13/013/D
21	RFN 13/003/1

# Rim® TAV.23

Fig. N.	Part. N. Piece N.
1	RFN 14/601
2	RFN 14/615
3	RFN 14/614
4	RFN 14/616
5	RFN 08/120
6	RFN 26/164
7	RFN VC/6000
8	RFN 26/168
9	RFN 14/606
10	RFN 14/609
11	RFN 26/163
12	RFN 26/160
13	RFN Cusc. rullo
14	RFN 26/157
15	RFN 26/159
16	RFN 14/605
17	RFN 26/165
18	RFN 26/166
19	RFN 26/162
20	RFN 26/158
21	RFN 26/168/1
22	RFN 26/155
23	RFN 14/602
24	RFN 26/152
25	RFN 26/153
26	RFN 14/620
27	RFN 09/116





# Rim® TAV.24

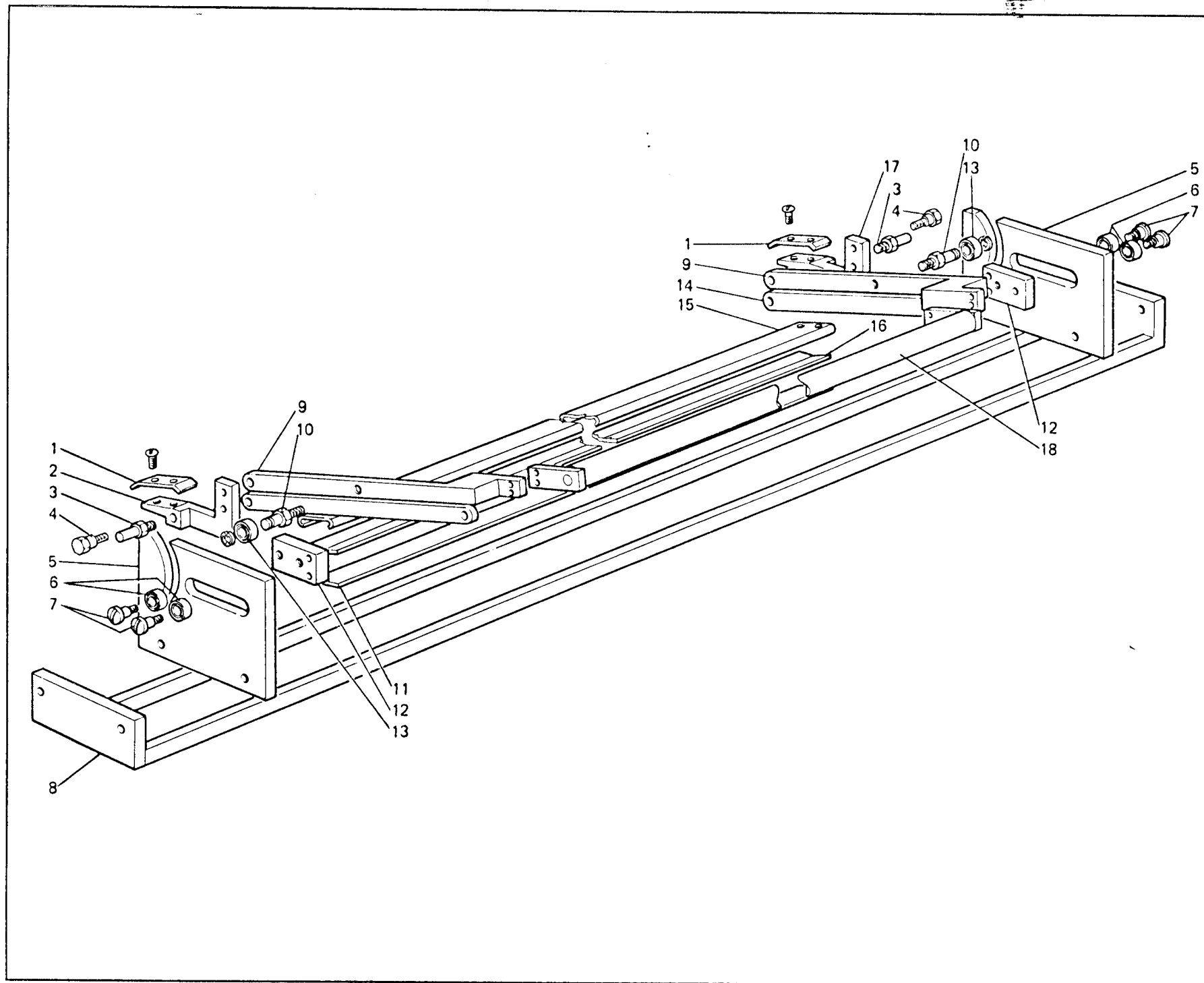
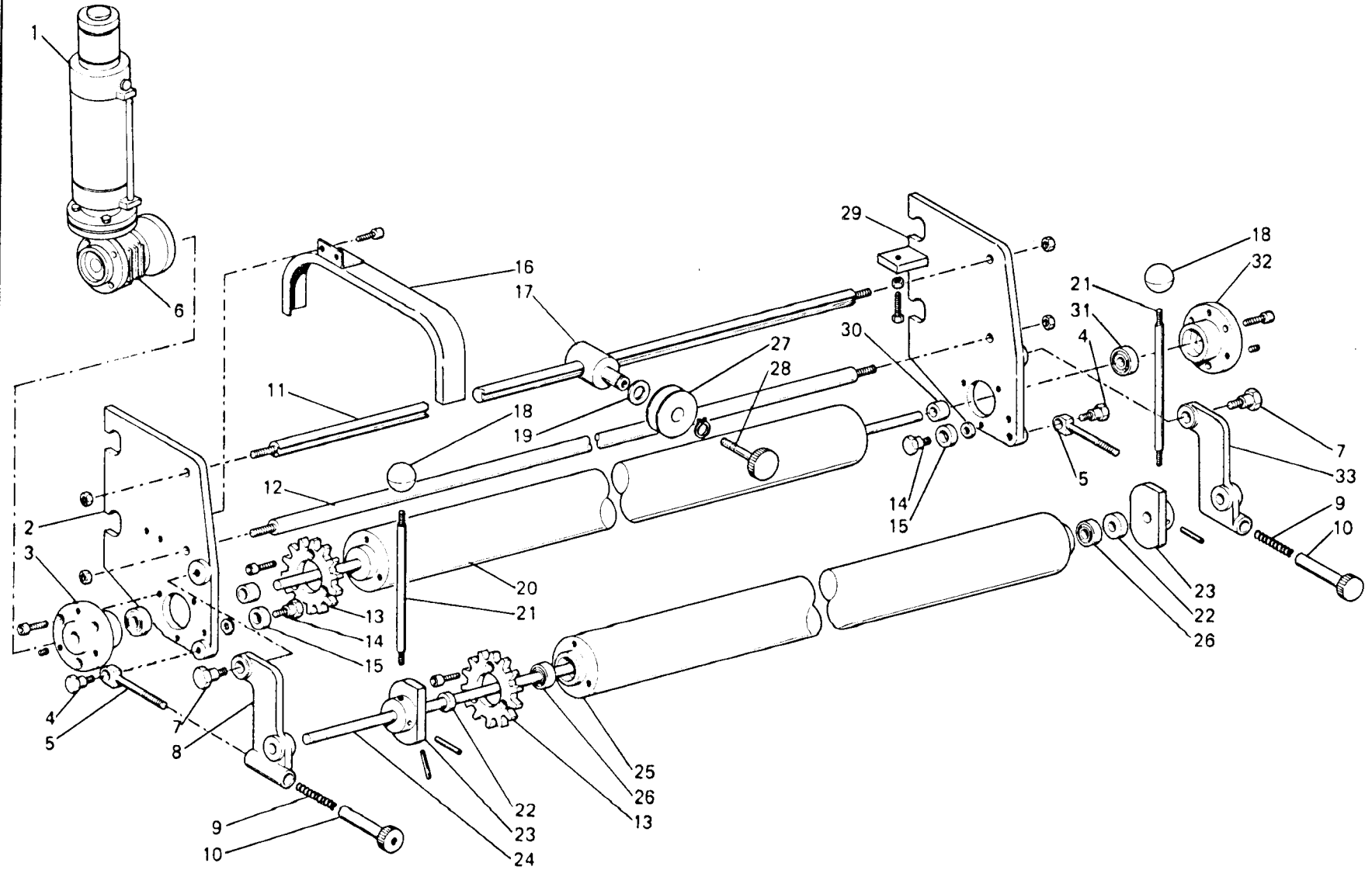


Fig. N.	Part. N. Pice N.
1	RFN 26/168/1
2	RFN 26/152
3	RFN 26/159
4	RFN 26/157
5	RFN 26/154
6	RFN VC/6000
7	RFN 26/164
8	RFN 26/151
9	RFN 26/162
10	RFN 26/160
11	RFN 09/116
12	RFN 26/163
13	RFN Cusc. rullo
14	RFN 26/158
15	RFN 26/153
16	RFN 14/620
17	RFN 26/155
18	RFN 26/165

# Rim<sup>®</sup> TAV.25

Fig. N.	Part. N. Pièce N.
1	RFN E/046/3
2	RFN 14/802
3	RFN 14/802/A
4	RFN 12/114
5	RFN 12/111
6	RFN E/047/1
7	RFN 12/115
8	RFN 12/019/S
9	RFN 12/112
10	RFN 12/113
11	RFN 14/805
12	RFN 14/806
13	RFN 12/101
14	RFN 12/134
15	RFN 12/133
16	RFN 14/808
17	RFN 12/124/A
18	RFN 12/243
19	RFN 12/238
20	RFN 14/803
21	RFN 12/110
22	RFN 14/809
23	RFN 12/109
24	RFN 14/807
25	RFN 14/804
26	RFN VC/2202
27	RFN 12/125
28	RFN 12/126
29	RFN 14/801
30	RFN 14/828
31	RFN VC/2201
32	RFN 14/801/A
33	RFN 12/019/D



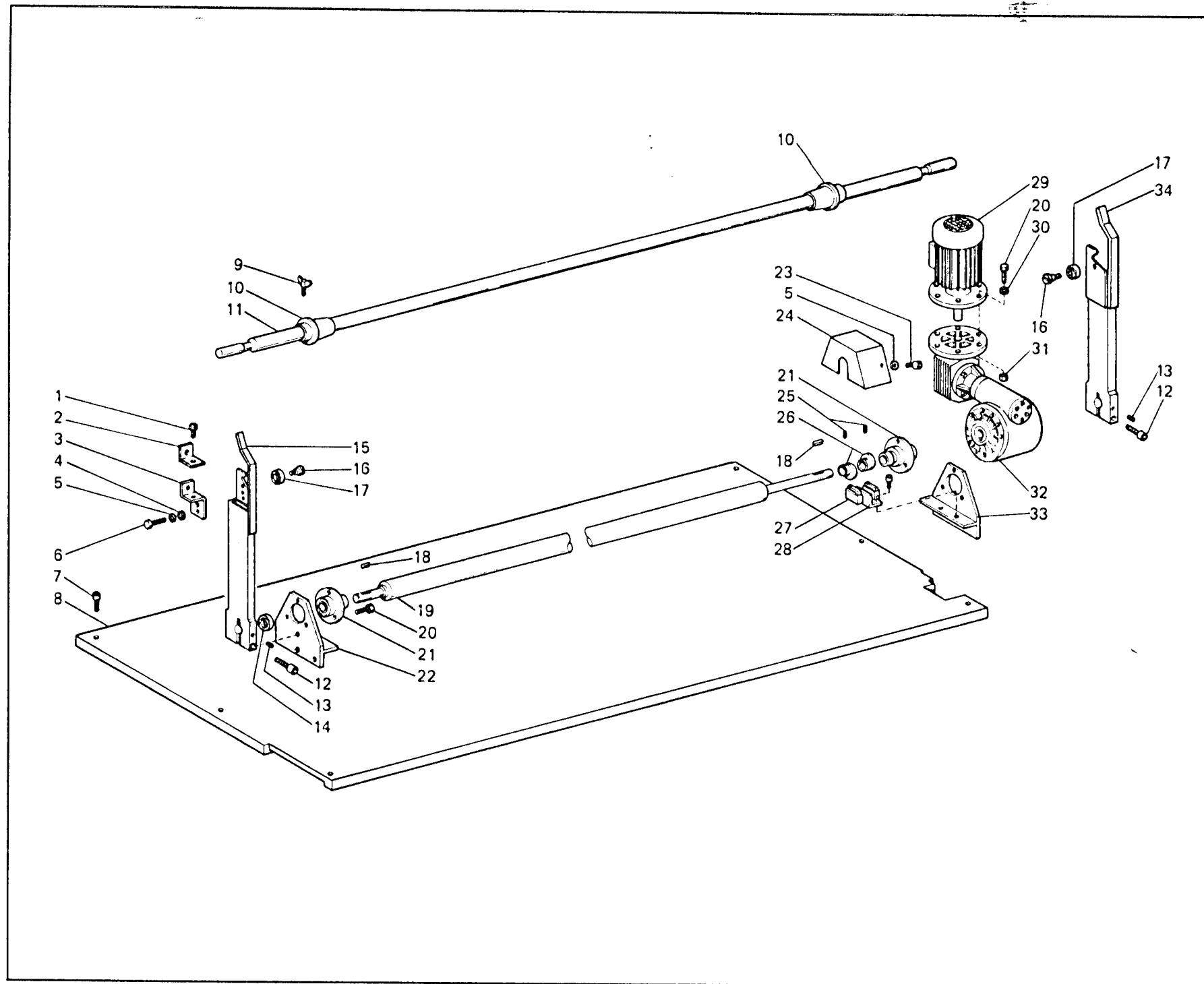
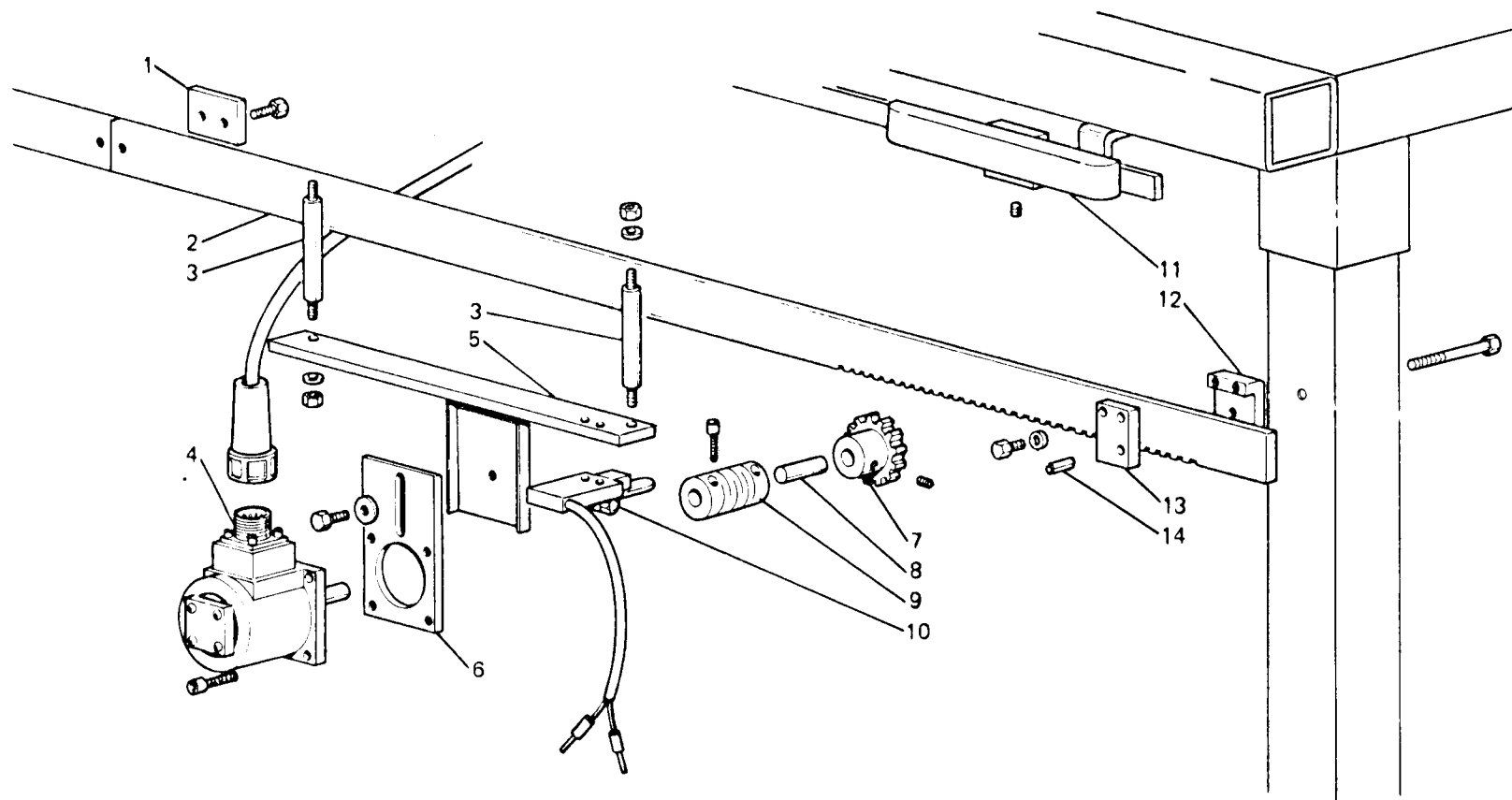


Fig. N.	Part. N. / Piece N.
1	RFN 99/001
2	RFN 10/158
3	RFN 20/015
4	RFN 99/614
5	RFN 99/603
6	RFN 99/013
7	RFN 25/016/1
8	RFN 99/245
9	RFN 98/113
10	RFN 14/117
11	RFN 20/025
12	RFN 99/261
13	RFN 99/442/C
14	RFN 20/017
15	RFN 20/014
16	RFN 10/117
17	RFN CS/608/Z
18	RFN 98/234
19	RFN 20/016
20	RFN 99/026
21	RFN KOYO
22	RFN 20/012
23	RFN 99/218
24	RFN 20/021
25	RFN 99/421/C
26	RFN 20/018
27	RFN M/20/005
28	RFN 20/019
29	RFN 20/002/1
30	RFN 99/605
31	RFN 99/530
32	RFN 20/002
33	RFN 20/011
34	RFN 20/013

# Rim® TAV.27

Fig. N.	Part. N. Piese N.
1	RFN 24/655
2	RFN 24/645
3	RFN 12/194
4	RFN 24/648
5	RFN 24/641
6	RFN 24/640
7	RFN 24/646
8	RFN 24/652
9	RFN 24/647
10	RFN 24/651
11	RFN 24/650
12	RFN 24/642/M
13	RFN 24/643/M
14	RFN 98/010



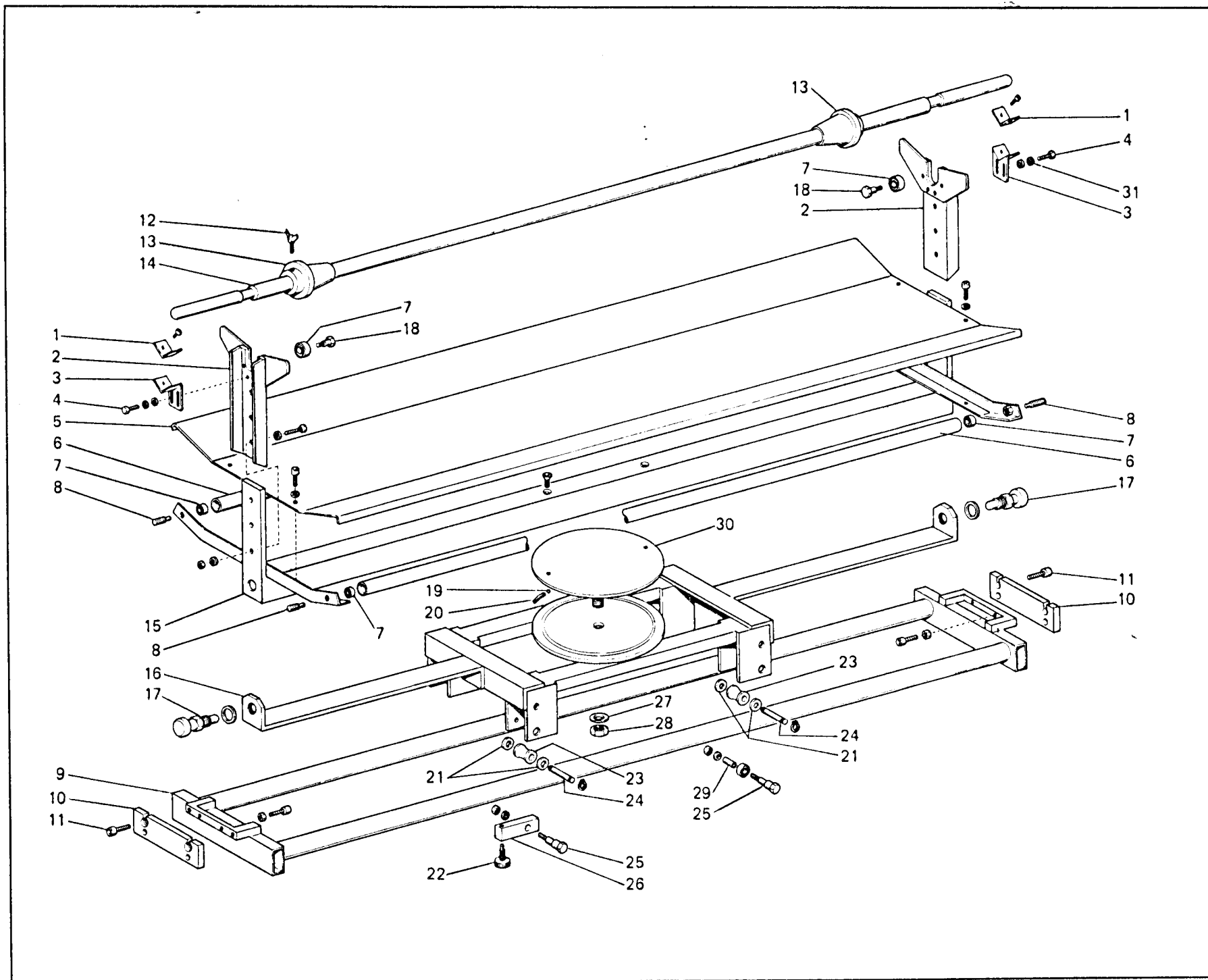
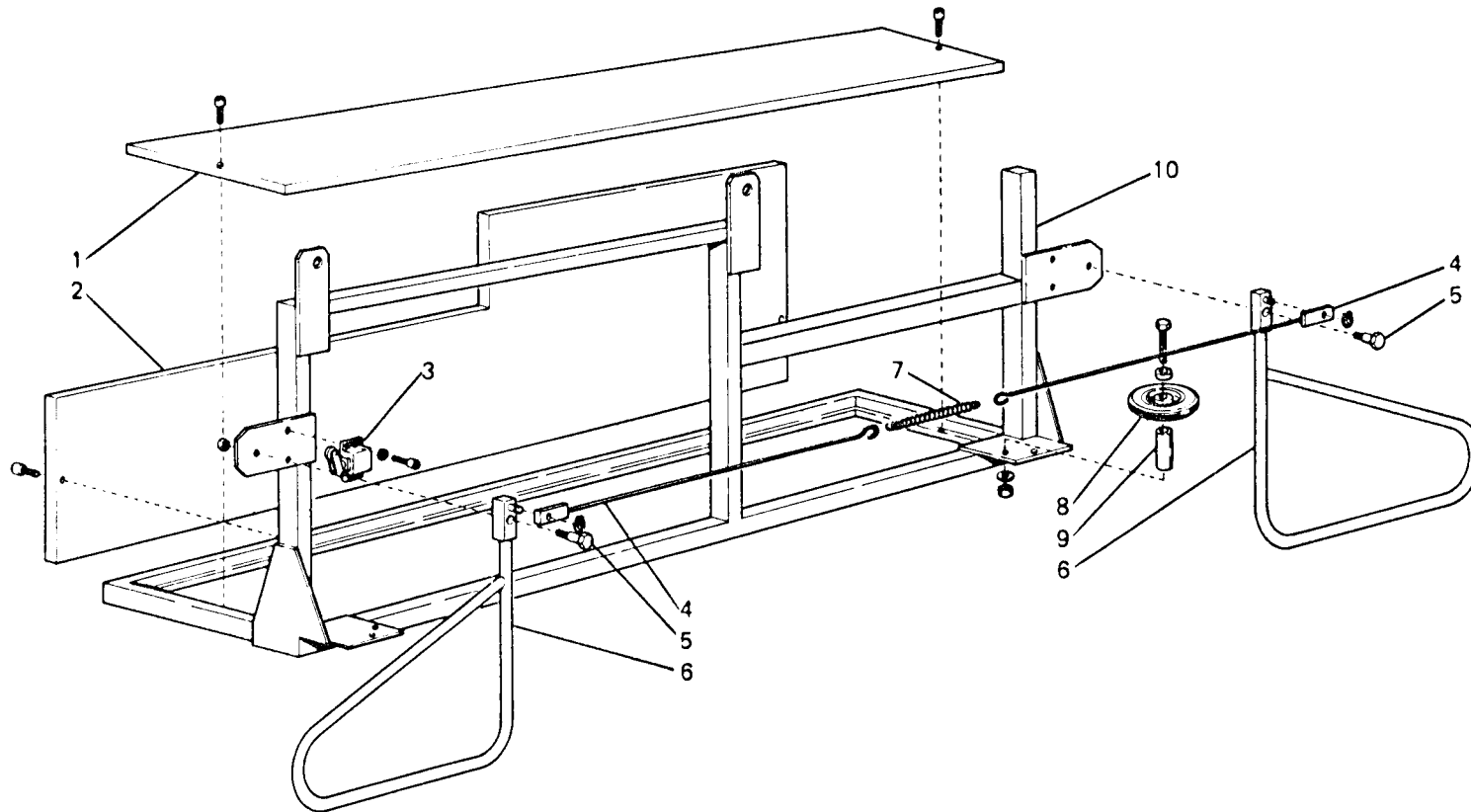


Fig. N.	Part. N. Piece N.
1	RFN 10/158
2	RFN 14/161
3	RFN 10/156/1
4	RFN Z/99/026
5	RFN 14/160
6	RFN 14/162
7	RFN VC/0608
8	RFN 14/065
9	RFN 14/152
10	RFN 14/151
11	RFN Z/99/245
12	RFN Z/98/113
13	RFN 10/160
14	RFN 14/165
15	RFN 14/150
16	RFN 14/153
17	RFN 14/615
18	RFN 10/117
19	RFN 10/151
20	RFN 10/150
21	RFN 14/157
22	RFN 07/021
23	RFN 14/154
24	RFN 14/155
25	RFN 14/156
26	RFN 14/163
27	RFN Z/99/611
28	RFN Z/99/536
29	RFN 14/158
30	RFN 10/149/1
31	RFN Z/99/604

# Rim® TAV.29

Fig. N. Part. N.  
N. Pièce N.

- 1 RFN 14/455
- 2 RFN 14/456
- 3 RFN M/12/401
- 4 RFN 14/457
- 5 RFN 10/867
- 6 RFN 10/865
- 7 RFN 10/869
- 8 RFN 14/459
- 9 RFN 14/454/1
- 10 RFN 14/451



# Rim® TAV.30

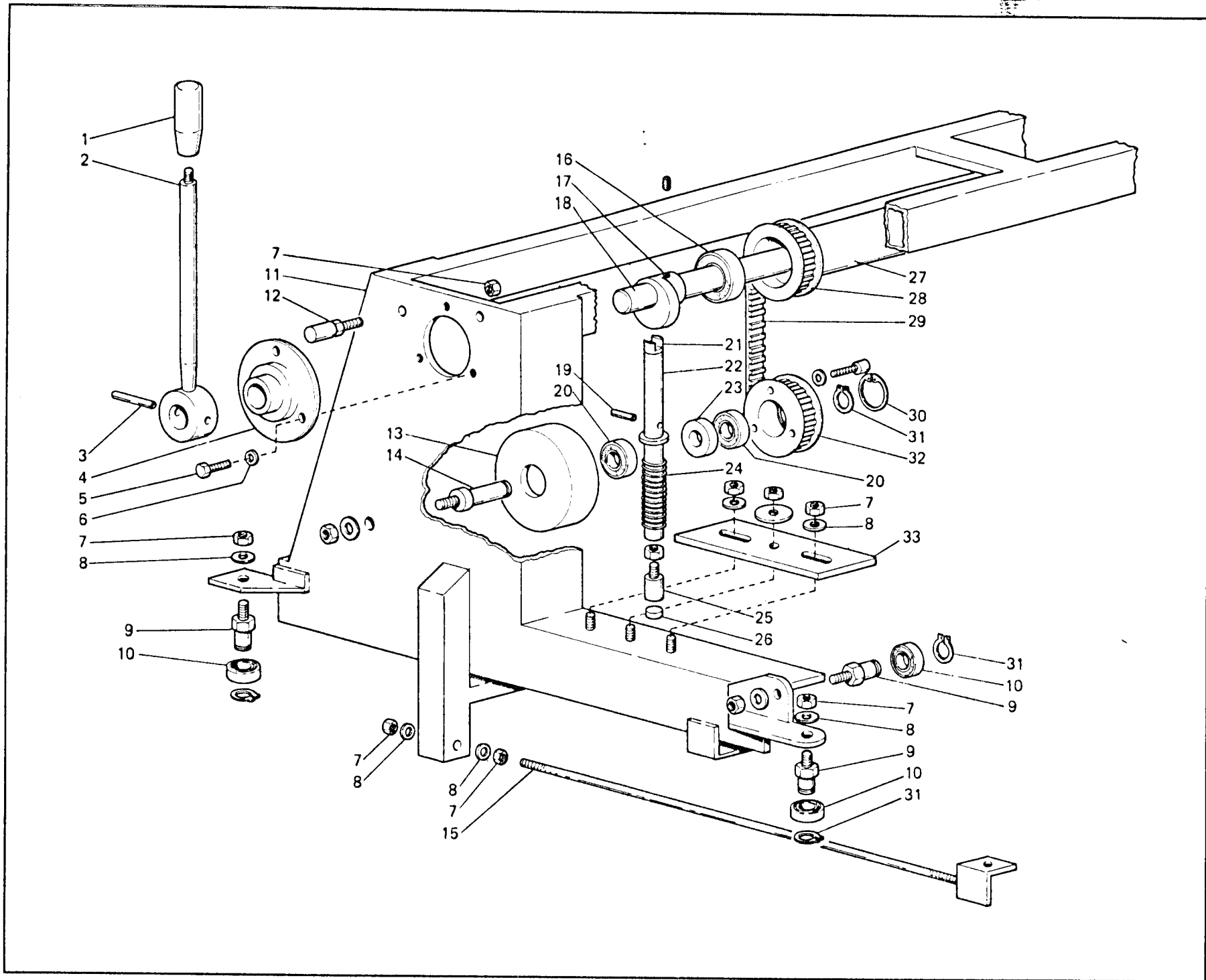
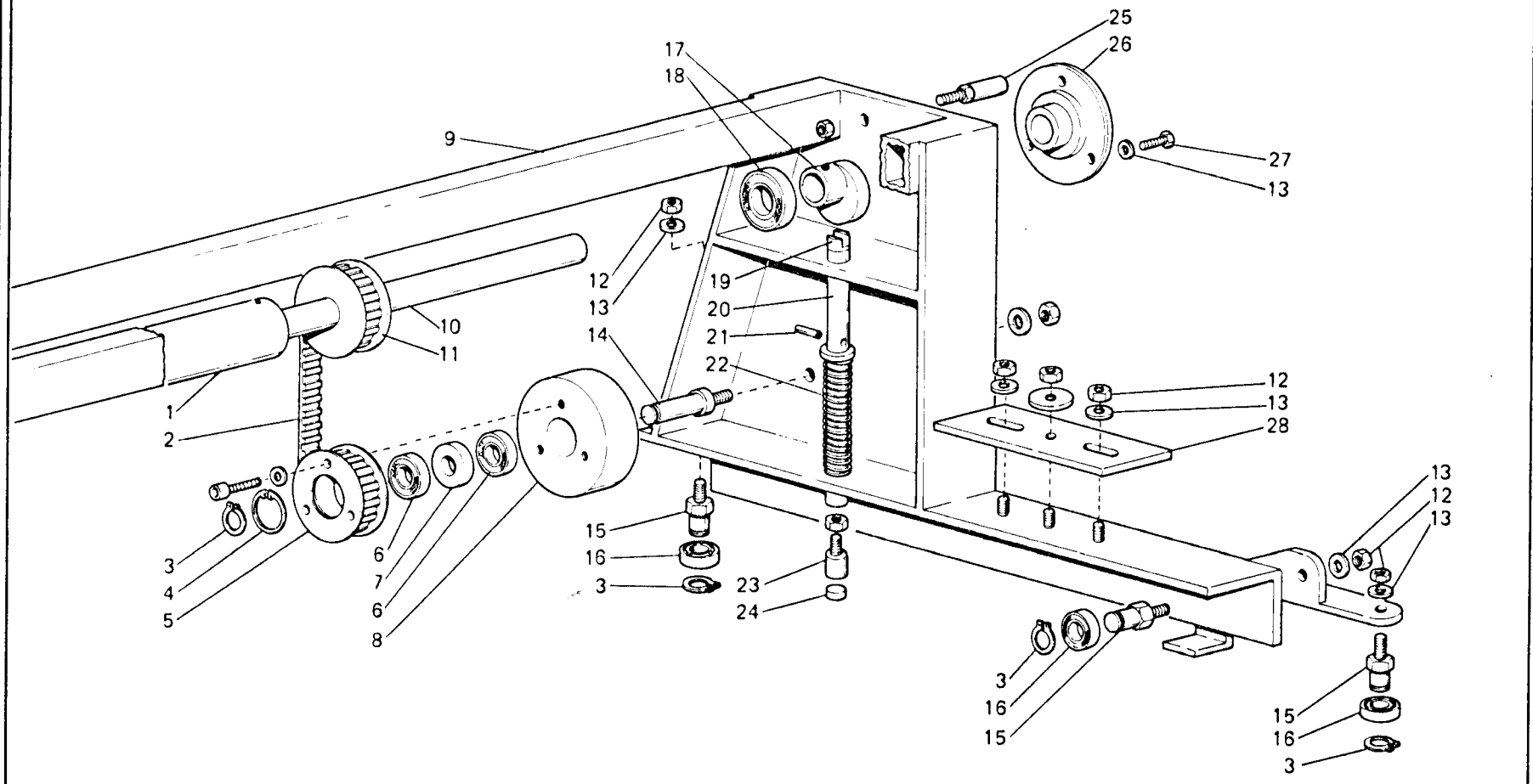


Fig. N.	Part. N. Pièce N.
1	RFN I/280/65
2	RFN 14/684
3	RFN Z/98/014/1
4	RFN VC/KOYO/25
5	RFN Z/99/022
6	RFN Z/99/65
7	RFN Z/99/530
8	RFN Z/99/605
9	RFN 14/680
10	RFN VC/6201
11	RFN 14/687
12	RFN 14/694
13	RFN 14/673
14	RFN 14/671
15	RFN 14/696
16	RFN VC/2205/2RS
17	RFN 14/682
18	RFN 14/683
19	RFN Z/98/009
20	RFN VC/6202
21	RFN 14/693
22	RFN 14/681
23	RFN 14/675
24	RFN 14/689
25	RFN 14/685
26	RFN 14/690
27	RFN 14/679
28	RFN 14/678
29	RFN 270/L050
30	RFN Z/98/416
31	RFN Z/98/310
32	RFN 14/672
33	RFN 14/691

# Rim® TAV.31

Fig. N.	Part. N. Pecce N.
---------	----------------------

- |    |                 |
|----|-----------------|
| 1  | RFN 14/312      |
| 2  | RFN 270/L050    |
| 3  | RFN Z/98/310    |
| 4  | RFN Z/98/416    |
| 5  | RFN 14/672      |
| 6  | RFN VC/6202     |
| 7  | RFN 14/675      |
| 8  | RFN 14/673      |
| 9  | RFN 14/687      |
| 10 | RFN 14/683      |
| 11 | RFN 14/678      |
| 12 | RFN Z/99/530    |
| 13 | RFN Z/99/605    |
| 14 | RFN 14/671      |
| 15 | RFN 14/680      |
| 16 | RFN VC/6201     |
| 17 | RFN 14/682      |
| 18 | RFN VC/2205/2RS |
| 19 | RFN 14/693      |
| 20 | RFN 14/681      |
| 21 | RFN Z/98/009    |
| 22 | RFN 14/689      |
| 23 | RFN 14/685      |
| 24 | RFN 14/690      |
| 25 | RFN 14/694      |
| 26 | RFN VC/KOYO/25  |
| 27 | RFN Z/99/022    |
| 28 | RFN 14/691      |





# Rim® TAV.32

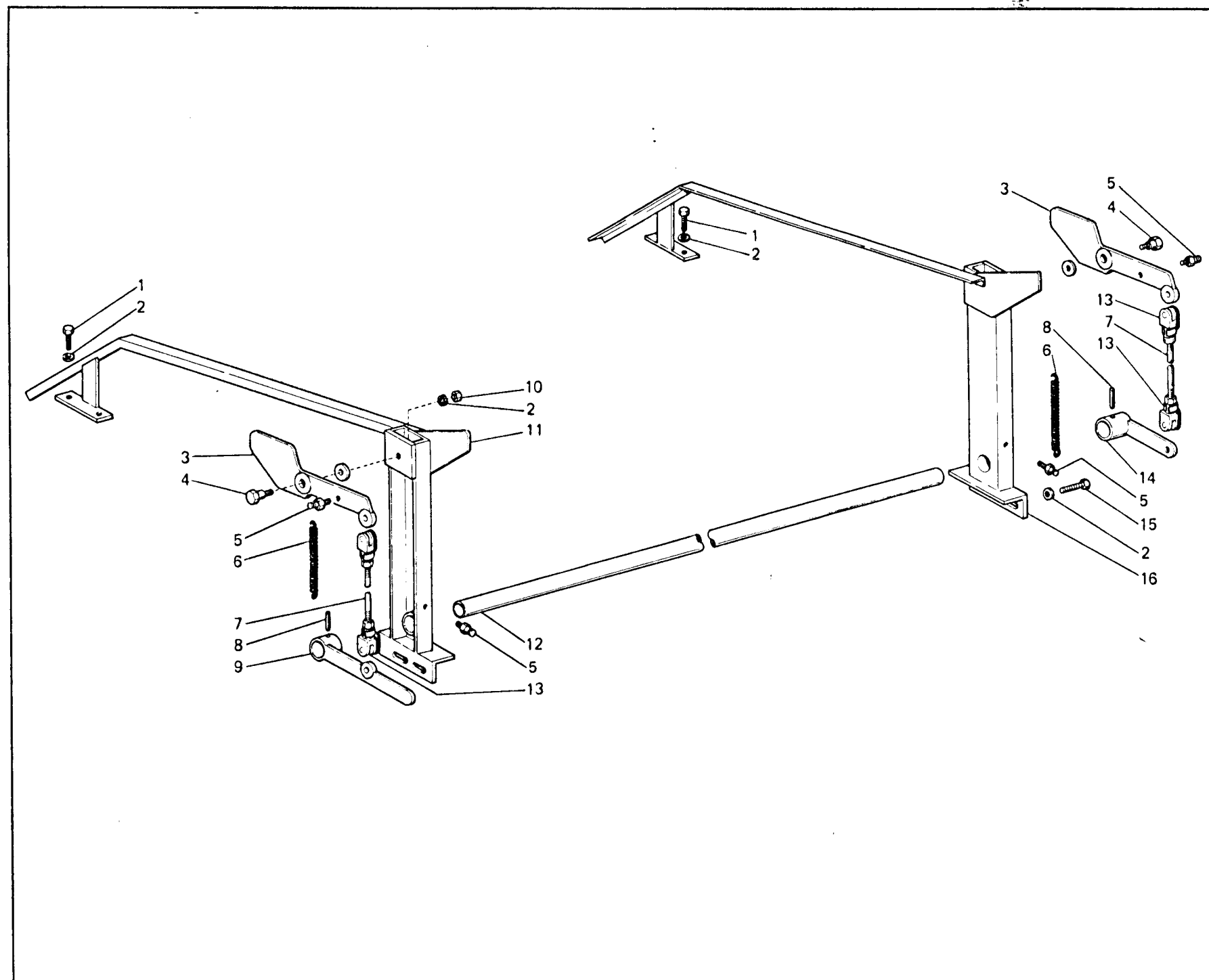


Fig. N.	Part. N. Piese N.
1	RFN Z/99/036
2	RFN Z/99/605
3	RFN 14/413/1
4	RFN 14/414
5	RFN 08/115
6	RFN 14/411
7	RFN 14/407
8	RFN Z/98/022
9	RFN 14/404
10	RFN Z/99/530
11	RFN 14/955
12	RFN 14/405
13	RFN 12/072
14	RFN 14/406
15	RFN Z/99/130
16	RFN 14/955/S

# Rim® TAV.33

Fig. N.	Part. N. Piese N.
1	RFN 12/072
2	RFN Z/99/130
3	RFN Z/99/605
4	RFN 14/414
5	RFN 14/416
6	RFN 10/158
7	RFN 10/156/1
8	RFN 14/415
9	RFN 14/413
10	RFN 14/115
11	RFN VC/0608
12	RFN 08/115
13	RFN 14/411
14	RFN Z/98/022
15	RFN 14/404
16	RFN 99/530
17	RFN 14/401/A
18	RFN 14/407
19	RFN 14/405
20	RFN 14/401
21	RFN Z/99/026
22	RFN 14/406

