

PER TESTE  
FOR HEADS  
POUR TETES  
FÜR MACHINEN  
POR CABEZALES

**Vega**

1a EDIZIONE - EDITION 3/95 **n. 684**

**APPARECCHIATURE  
ATTACHMENTS  
DISPOSITIFS  
VORRICHTUNGEN  
DISPOSITIVOS**

**351-PA  
353-PA  
353-PB  
355-PA  
355-PB  
813-04  
826-12  
873-22  
904-53  
930-23  
964-02  
972-11  
981-12  
981-43  
995-01**

| <p align="center"><b>GUIDA PER LA<br/>CONSULTAZIONE DEL<br/>CATALOGO RICAMBI</b></p>   | <p align="center"><b>GUIDELINES FOR THE<br/>USE OF THE<br/>SPARE PARTS CATALOGUE</b></p>   | <p align="center"><b>GUIDE A LA CONSULTATION<br/>DU CATALOGUE<br/>PIECES DE RECHANGE</b></p>   | <p align="center"><b>ANLEITUNG FÜR DIE<br/>BENUTZUNG DES<br/>ERSATZTEILKATALOGES</b></p>   | <p align="center"><b>GUIA PARA LA<br/>CONSULTA DEL<br/>CATALOGO DE REPUESTOS</b></p>  |
|--|--|--|--|---|
| <p>Tutti i particolari che compongono le Apparecchiature e le varianti, in funzione delle teste sulle quali vengono montate, sono riuniti in moduli.</p> <p>La composizione dell'Apparecchiatura interessata si ottiene consultando la tabella</p> | <p>All the parts which are components of devices and the variables are jointed in modules, in relation to the heads they are mounted on.</p> <p>The device composition is obtained by consulting the table</p> | <p>Toutes les pièces qui composent les dispositifs et les variantes, en fonction des têtes sur lesquelles elles sont montées, ont été regroupées en modules</p> <p>La composition du dispositif intéressé est obtenue en consultant le tableau</p> | <p>Alle Teile die Vorrichtungen und die Varianten bilden sind, in Anbetracht auf die Oberteile, auf welche sie angebaut werden, in mehreren Tafeln dargestellt, wie im Inhaltsverzeichnis angegeben.</p> <p>Die Zusammenstellung der Vorrichtung erstellt e man aufgrund der Tabelle</p> | <p>Todos los particulares que componen los dispositivos y las variantes, en función de los cabezales sobre los cuales vienen montados, son reunidos en módulos.</p> <p>La composición del dispositivos deseado, se obtiene consultando la tabla</p> |
| <p align="center">"COMPOSIZIONE<br/>APPARECCHIATURE"</p>   | <p align="center">"COMPOSITION<br/>DEVICES"</p>  | <p align="center">"COMPOSITION<br/>DISPOSITIFS".</p>   | <p align="center">"ZUSAMMENSTELLUNG<br/>VORRICHTUNGEN"</p>   | <p align="center">"COMPOSICION<br/>DISPOSITIVOS".</p>   |
| <p>I particolari che compongono un gruppo sono riquadrati; i sottogruppi, anch'essi riquadrati, sono inseriti nel gruppo di appartenenza.</p>  | <p>The parts wich are assembly components assembly are represented within a square; the sub-assembly, also represented within a square, are included in the assembly they are parts of.</p>                    | <p>Les pièces qui composent un groupe sont bordées; les sous-groupes eux mêmes bordés, sont insérés dans le groupe d'appartenance.</p>   | <p>Alle Teile die eine Teilegruppe bilden, sind umrahmt; die Untergruppen, ebenfalls umrahmt, sind in der betreffenden Teilegruppe angeführt.</p>  | <p>Los particulares que componen un grupo son encuadrados. Los subgrupos, aunque si son encuadrados, estanán iseridos en el grupo de pertenencia.</p>   |
| <p>Tutti i particolari non fornibili separatamente non vengono richiamati, ma soltanto illustrati nel gruppo di appartenenza.</p>  | <p>All the parts which are not supplyable separately, are not described, but only illustrated in the belonging group.</p>  | <p>Toutes les pièces qui ne peuvent pas être fournies séparément ne sont pas rappelées mais illustrées dans le groupe d'appartenance.</p>  | <p>Die nicht los lieferbaren Teile sind nicht alleine sondern immer zusammen mit der Aufbaugruppe eingetragen.</p>   | <p>Todos los particulares no suministrables sueitos no estan señados, sino solamente ilustrados en el grupo al cual pertenecen.</p>   |
| <p>Per ordini di aghi, precisare il simbolo riportato in catalogo; in caso di dubbio allegare un ago campione o una bustina vuota.</p>   | <p>When ordering needles, please specify the related catalogue symbol; if you have doubts, send a needle sample or an empty needle bag.</p>  | <p>Pour les commandes d'aiguilles, préciser le symbole indiqué sur le catalogue; en cas de doute joindre une aiguille échantillon ou un sachet vide.</p>   | <p>Für Aufträge über Nadeln ist die im Ersatzteilkatalog angeführte Teilenummer anzugeben; in Zweifelsfällen ist eine Nadel als Muster oder ein entsprechender leerer Nadelbrief beizulegen.</p>   | <p>Por pedido de agujas, precisar el símbolo reproducido en el catálogo. En caso de duda, adjuntar un modelo o un sobre vacío.</p>  |

| Vega                                      | TABELLA PER COMPOSIZIONE APPARECCHIATURE - COMPOSITION TABLE OF DEVICES |  |                                  |                     |   |                  |  | APPARECCHIATURE<br>DEVICES   |
|---|---|--|----------------------------------|---------------------|---|------------------|--|--|
| GRUPPI DI COMPOSIZIONE - COMPOSITION KITS |   |  |                                  |                     |   |                  |  |  |
| APPARECCH.<br>DEVICES                     | TENSIONI (PER TESTE)<br>TENSIONS (FOR HEADS)                            | APP. BASE<br>BASE DEV.                       | COMANDO<br>CONTROL               | SERVIZIO<br>SERVICE | VARIANTI (PER TESTE)<br>VARIATION (FOR HEADS) | VARIE<br>VARIOUS | PIANO DI LAV. - CARTER (PER TESTE)<br>WORK. PLATE - COVER (FOR HEADS)    | KIT CAMPIONATURA (PER TESTE)<br>SETTING KIT (FOR HEADS)                          |
|   | WFS-6C  | WFS-6D                                       | WFS-6D                           | WFS-6D              | WFS-6D  | WFS-66           | WFS-68   | WFS-69   |
| 351-PA                                    |   | 125-B0-0<br>135-B0-0<br>351-B0-0<br>351-B1-0 | 006-A0-0<br>007-A0-0             |                     |   |                  | 014-00-0 (F17-34-1CD-13)<br>012-00-0 (F27-34-1CD-12)                     |  |
| 353-PA                                    |   | 125-B0-0<br>135-B0-0<br>351-B0-0<br>353-B0-0 | 006-A0-0<br>007-A0-0             |                     |   |                  | 014-00-0 (F17-34-1CD-13)<br>012-00-0 (F27-34-1CD-12)                     |  |
| 353-PB                                    |   | 125-B0-0<br>135-B0-0<br>351-B0-0<br>353-B0-0 | 006-A0-0<br>007-A0-0<br>008-A0-0 |                     | 003-V0-0                                      |                  | 014-00-0 (F17-34-1CD-13)<br>012-00-0 (F27-34-1CD-12)                     |  |
| 355-PA                                    |   | 125-B0-0<br>135-B0-0<br>355-B0-0<br>355-B1-0 | 014-A0-0<br>015-A0-0             |                     |   |                  | 014-00-0 (F17-34-1CD-13)<br>012-00-0 (F27-34-1CD-12)                     |  |
| 355-PB                                    |   | 125-B0-0<br>135-B0-0<br>355-B0-0<br>355-B1-0 | 014-A0-0<br>015-A0-0<br>016-A0-0 |                     | 003-V0-0                                      |                  | 014-00-0 (F17-34-1CD-13)<br>012-00-0 (F27-34-1CD-12)                     |  |
| 813-04                                    | 013-00-0 (F27 2 aghi)   | 135-B0-0<br>203-B0-0                         | 001-40-0                         | 004-S0-0            |   |                  | 028-00-0 (F27 1-2 aghi)<br>(F27 1-2 needles)                             | 425-00-0 (F27-00-2MD-02)   |
| 826-12                                    | 013-00-0 (F27 2 aghi)   | 125-B0-0<br>203-B0-0                         |                                  | 003-S0-0            |   |                  | 024-00-0   | 420-00-0 (F27-00-2MD-18)<br>422-00-0 (F27-00-2MD-45)<br>426-00-0 (F27-00-2MD-36) |
| 873-22                                    | 013-00-0 (F27 2 aghi)   | 125-B0-0<br>135-B0-0<br>203-B0-0             |                                  | 006-S0-0            |   |                  | 028-00-0 (F27 1-2 aghi)<br>(F27 1-2 needles)                             | 416-00-0 (F27-00-2CD-31)<br>425-00-0 (F27-00-2MD-02)                             |
| 904-53                                    |   | 125-B0-0<br>203-B0-0                         |                                  | 003-S0-0            |   |                  | 024-00-0   | 400-00-0 (F27-00-1CD-01)<br>402-00-0 (F27-00-1CD-07)                             |
| 930-23                                    |   | 125-B0-0<br>135-B0-0                         | 001-60-0                         | 007-S0-0            |   |                  | 012-00-0 (F27 1-2 aghi)<br>(F27 1-2 needles)<br>013-00-0 (F27-10-1CD-06) |  |

\* = IN FUNZIONE DEL PIAZZAMENTO - IN FUNCTION OF THE PLACEMENT - EN FONCTION DU PLACEMENT - IN ABHAENGGIGKEIT VON AUFSTELLUNG - EN FUNCION DE LA COLOCACION

| Vega                                      |  | TABELLA PER COMPOSIZIONE APPARECCHIATURE - COMPOSITION TABLE OF DEVICES |                    |                     |  |                  |  | APPARECCHIATURE<br>DEVICES   |
|---|--|---|--------------------|---------------------|--|------------------|--|--|
| GRUPPI DI COMPOSIZIONE - COMPOSITION KITS |  |   |                    |                     |  |                  |  |  |
| APPARECCH.<br>DEVICES                     | TENSIONI (PER TESTE)<br>TENSIONS (FOR HEADS) | APP. BASE<br>BASE DEV.  | COMANDO<br>CONTROL | SERVIZIO<br>SERVICE | VARIANTI (PER TESTE)<br>VARIATION (FOR HEADS)  | VARIE<br>VARIOUS | PIANO DI LAV. - CARTER (PER TESTE)<br>WORK. PLATE - COVER (FOR HEADS)  | KIT CAMPIONATURA (PER TESTE)<br>SETTING KIT (FOR HEADS)                          |
|   | WFS-6C                                       | WFS-6D  | WFS-6D             | WFS-6D              | WFS-6D   | WFS-66           | WFS-68   | WFS-69   |
| 964-02                                    |  | 125-B0-0<br>135-B0-0  | 002-60-0           | 008-S0-0            | 001-V0-0 (F27/F29)<br>002-V0-0 (F29-00-2MD-05) |                  | 015-00-0 (F29 senza sgancio)<br>(F29 without hook)<br>016-00-0 (F29 con sgancio)<br>(F29 with hook)  |  |
| 972-11                                    |  | 125-B0-0<br>203-B0-0  | 002-40-0           | 004-S' -0           |  |                  | 028-00-0 (F27 1-2 aghi)<br>(F27 1-2 needles)   | 400-00-0 (F27-00-1CD-01)<br>402-00-0 (F27-00-1CD-07)                             |
| 981-12                                    |  | 125-B0-0<br>135-B0-0<br>203-B0-0  | 001-60-0           | 007-S0-0            |  |                  | 028-00-0 (F27 1-2 aghi)<br>(F27 1-2 needles)   | 400-00-0 (F27-00-1CD-01)<br>402-00-0 (F27-00-1CD-07)<br>403-00-0 (F27-00-1CD-20) |
| 981-43                                    |  | 125-B0-0<br>135-B0-0<br>203-B0-0  |                    | 006-S0-0            |  |                  | 028-00-0 (F27 1-2 aghi)<br>(F27 1-2 needles)   | 400-00-0 (F27-00-1CD-01)<br>402-00-0 (F27-00-1CD-07)<br>405-00-0 (F27-00-1CD-31) |
| 995-01                                    |  | 135-B0-0  | 003-40-0           | 009-S0-0            | 001-V0-0 (F27/F29)<br>002-V0-0 (F29-00-2MD-05) |                  | 012-00-0 (F27 1-2 aghi)<br>F27 1-2 needles)<br>013-00-0 (F27-10-1CD-06)<br>015-00-0 (F29 senza sgancio)<br>(F29 without hook)<br>016-00-0 (F29 con sgancio)<br>(F29 with hook) |  |
|   |  |   |                    |                     |  |                  |  |  |

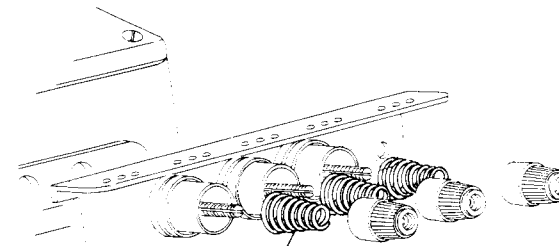
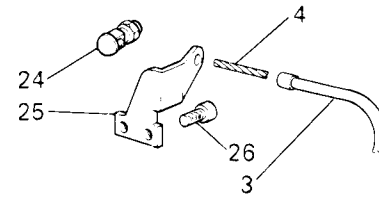
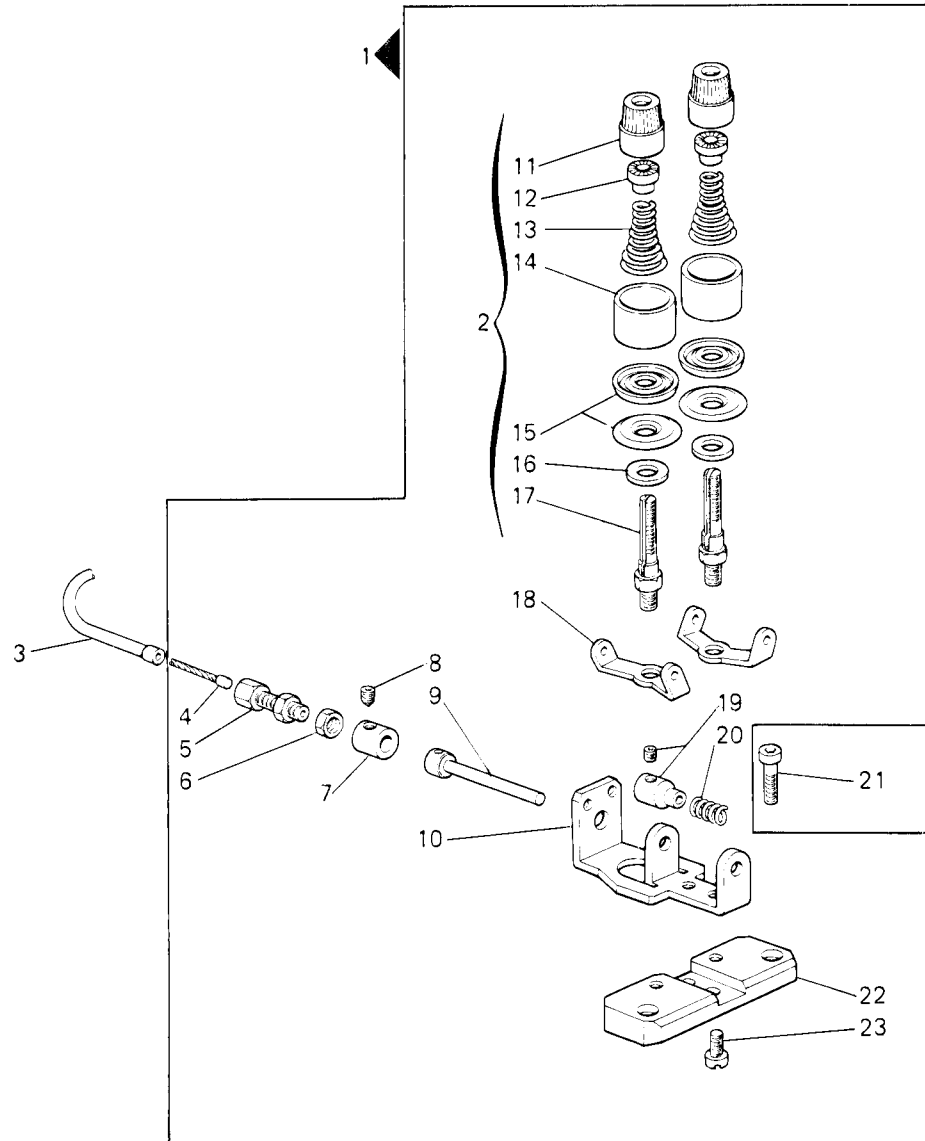
\* = IN FUNZIONE DEL PIAZZAMENTO - IN FUNCTION OF THE PLACEMENT - EN FONCTION DU PLACEMENT - IN ABHAENIGKEIT VON AUFSTELLUNG - EN FUNCION DE LA COLOCACION

| Vega                  | TABELLA RAGGRUPPAMENTO MODULI - COMBINED TABLE OF KIT  |  | APPARECCHIATURE<br>DEVICES   |   |
|-----------------------|--|--|--|---|
| APPARECCH.<br>DEVICES | RAGGRUPPAMENTO MODULI<br>COMBINED KIT  |  | APPARECCH.<br>DEVICES  |   |
|                       | APP. BASE - COMANDO - SERVIZIO - VARIANTI (per teste) - VARIE<br>BASE DEV. - CONTROL - SERVICE - VARIATION (for heads) - VARIOUS |  | RAGGRUPPAMENTO MODULI<br>COMBINED KIT  |   |
|                       |  |  | APP. BASE - COMANDO - SERVIZIO - VARIANTI (per teste) - VARIE<br>BASE DEV. - CONTROL - SERVICE - VARIATION (for heads) - VARIOUS |   |
| 351-PA                | WFS-6X-351-PA-0  |  | 995-01   | WFS-6X-995-01-0 (Con WFS-6D-001-V0)<br>(With WFS-6D-001-V0) |
| 353-PA                | WFS-6X-353-PA-0  |  |  | WFS-6X-995-01-1 (Con WFS-6D-002-V0)<br>(With WFS-6D-002-V0) |
| 353-PB                | WFS-6X-353-PB-0  |  |  |   |
| 355-PA                | WFS-6X-355-PA-0  |  |  |   |
| 355-PB                | WFS-6X-355-PB-0  |  |  |   |
| 813-04                | WFS-6X-813-04-0  |  |  |   |
| 826-12                | WFS-6X-826-12-0  |  |  |   |
| 873-22                | WFS-6X-873-22-0  |  |  |   |
| 904-53                | WFS-6X-904-53-0  |  |  |   |
| 930-23                | WFS-6X-930-23-0  |  |  |   |
| 964-02                | WFS-6X-964-02-0 (Con WFS-6D-001-V0)<br>(With WFS-6D-001-V0)  |  |  |   |
|                       | WFS-6X-964-02-1 (Con WFS-6D-002-V0)<br>(With WFS-6D-002-V0)  |  |  |   |
| 972-11                | WFS-6X-972-11-0  |  |  |   |
| 981-12                | WFS-6X-981-12-0  |  |  |   |
| 981-43                | WFS-6X-981-43-0  |  |  |   |
|                       |  |  |  |   |

GRUPPI DI COMPOSIZIONE - COMPOSITION KITS - GROUPES DE KIT - KIT GRUPPEN - GRUPOS DE COMPOSICION

KIT TENSIONI  
TENSIONS KIT  
KIT DES TENSIONS  
KIT SPANNUNG  
KIT DE TENDEHILOS

**WFS-6C**



21  
 PER FILATI SINTETICI  
 FOR SYNTHETICS THREADS  
 POUR FILS SYNTETIQUES  
 FÜR SYNTHETISCHE FÄDEN  
 PARA HILADOS SINTETICOS

| Fig. N. | Part. N. Piece N. | Qt. |
|---------|-------------------|-----|
| 1       | 933541-4-00       | 1   |
| 2       | 208172-4-00       | 2   |
| 3       | 933551-0-00       | 1   |
| 4       | 933550-0-00       | 1   |
| 5       | 210130-0-00       | 1   |
| 6       | 733104-2-00       | 1   |
| 7       | 933549-2-00       | 1   |
| 8       | 730022-2-00       | 1   |
| 9       | 933547-0-00       | 1   |
| 10      | 933546-0-00       | 1   |
| 11      | 202558-0-11       | 2   |
| 12      | 202229-0-11       | 2   |
| 13      | 202227-0-10       | 2   |
| 14      | 202556-0-01       | 2   |
| 15      | 300218-0-10       | 4   |
| 16      | 206754-0-00       | 2   |
| 17      | 208169-0-01       | 2   |
| 18      | 933535-0-00       | 2   |
| 19      | 933548-2-00       | 1   |
| 20      | 307585-0-01       | 1   |
| 21      | 722461-2-00       | 2   |
| 22      | 933545-0-00       | 1   |
| 23      | 741658-5-00       | 2   |
| 24      | 210135-0-00       | 1   |
| 25      | 933552-0-00       | 1   |
| 26      | 722411-2-00       | 2   |
| 27      | 202681-0-10       | 1   |

GRUPPI DI COMPOSIZIONE - COMPOSITION KITS - GROUPES DE KIT - KIT GRUPPEN - GRUPOS DE COMPOSICION

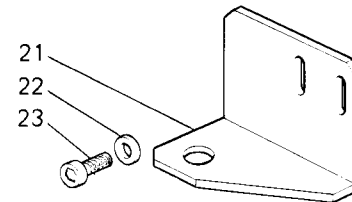
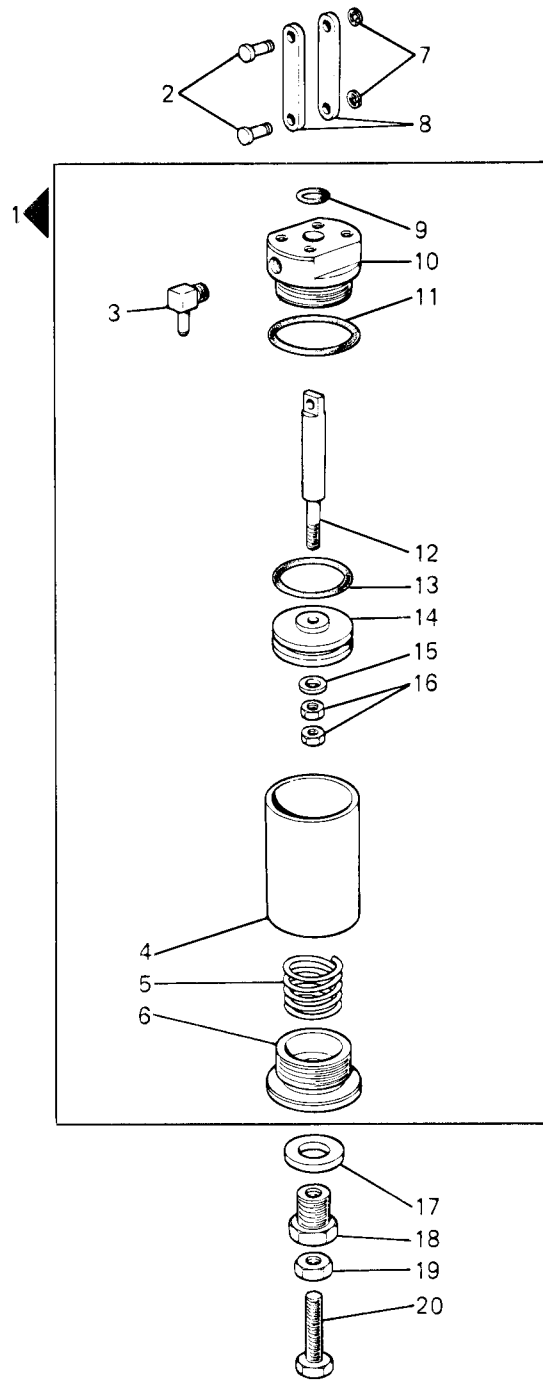
APPARECCHIATURA BASE  
BASIC DEVICE  
DISPOSITIF DE BASE  
GRUENDLICHE VORRICHTUNG  
DISPOSITIVO BASE

**WFS-6D**



WFS-6D-125-B0-0

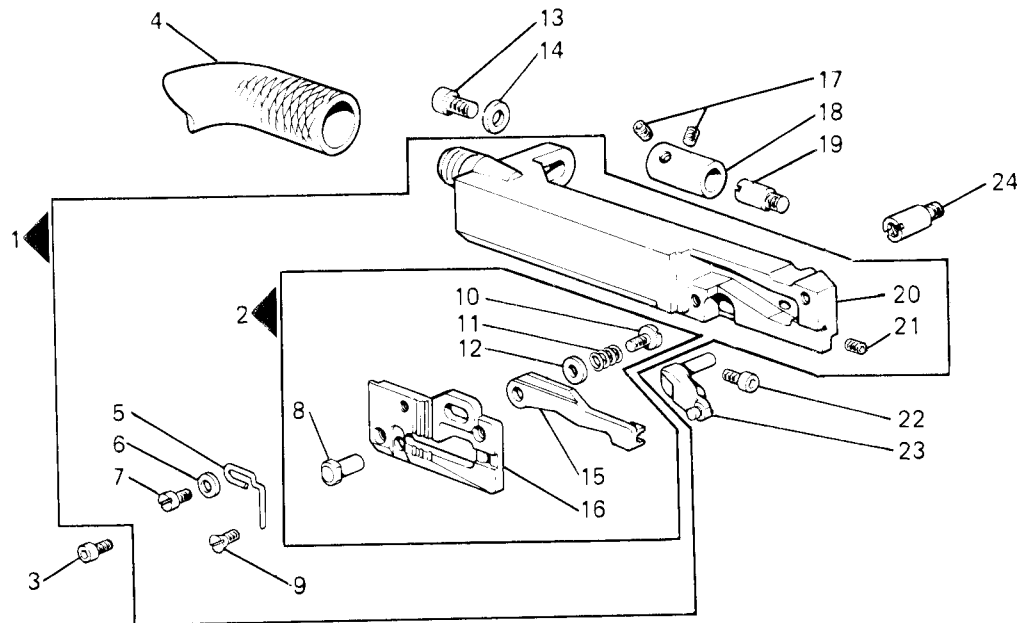
Rim®



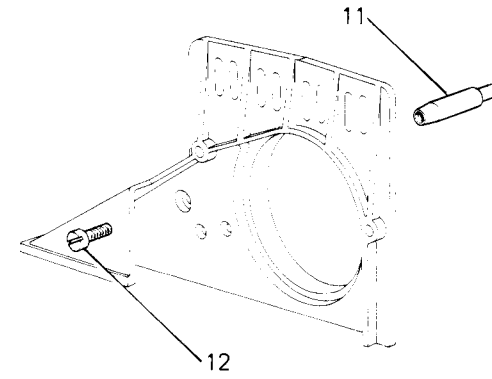
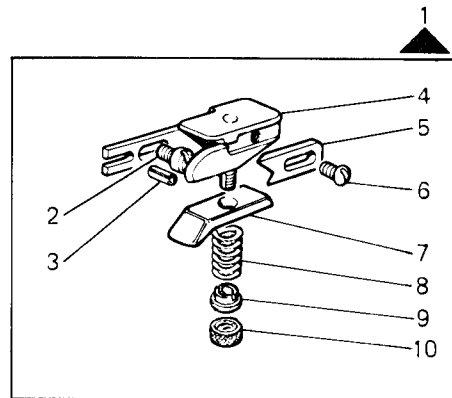
| Fig. N. | Part. N. Piece N. | Qt. |
|---------|-------------------|-----|
| 1       | 925758-4-00       | 1   |
| 2       | 990311-0-10       | 2   |
| 3       | 925761-0-01       | 1   |
| 4       | 925750-0-01       | 1   |
| 5       | 925754-0-00       | 1   |
| 6       | 925756-0-01       | 1   |
| 7       | 700205-0-00       | 2   |
| 8       | 925728-0-00       | 2   |
| 9       | 701007-0-00       | 1   |
| 10      | 924806-0-10       | 1   |
| 11      | 701132-0-00       | 1   |
| 12      | 925751-0-01       | 1   |
| 13      | 701037-0-00       | 1   |
| 14      | 924804-0-11       | 1   |
| 15      | 704218-2-00       | 1   |
| 16      | 746402-2-00       | 2   |
| 17      | 704014-0-00       | 1   |
| 18      | 925820-0-00       | 1   |
| 19      | 733510-2-00       | 1   |
| 20      | 740248-2-00       | 1   |
| 21      | 925739-0-00       | 1   |
| 22      | 704409-2-00       | 2   |
| 23      | 722432-2-00       | 2   |

WFS-6D-135-B0-0

Rim®



| Fig. N. | Part. N. Piece N. | Qt. |
|---------|-------------------|-----|
| 1       | 925928-4-10       | 1   |
| 2       | 925891-4-00       | 1   |
| 3       | 722401-2-00       | 1   |
| 4       | 925877-0-00       | 1   |
| 5       | 925874-0-00       | 1   |
| 6       | 704104-2-00       | 1   |
| 7       | 925849-0-00       | 1   |
| 8       | 925873-0-00       | 1   |
| 9       | 744530-5-00       | 2   |
| 10      | 926758-0-00       | 1   |
| 11      | 923918-0-01       | 1   |
| 12      | 704803-0-00       | 1   |
| 13      | 722421-2-00       | 1   |
| 14      | 704405-2-00       | 1   |
| 15      | 925875-2-00       | 1   |
| 16      | 925876-2-00       | 1   |
| 17      | 745810-5-00       | 2   |
| 18      | 925927-2-00       | 1   |
| 19      | 925884-0-00       | 1   |
| 20      | 925924-2-10       | 1   |
| 21      | 727000-2-00       | 1   |
| 22      | 741931-5-00       | 1   |
| 23      | 925878-0-00       | 1   |
| 24      | 925880-0-00       | 1   |

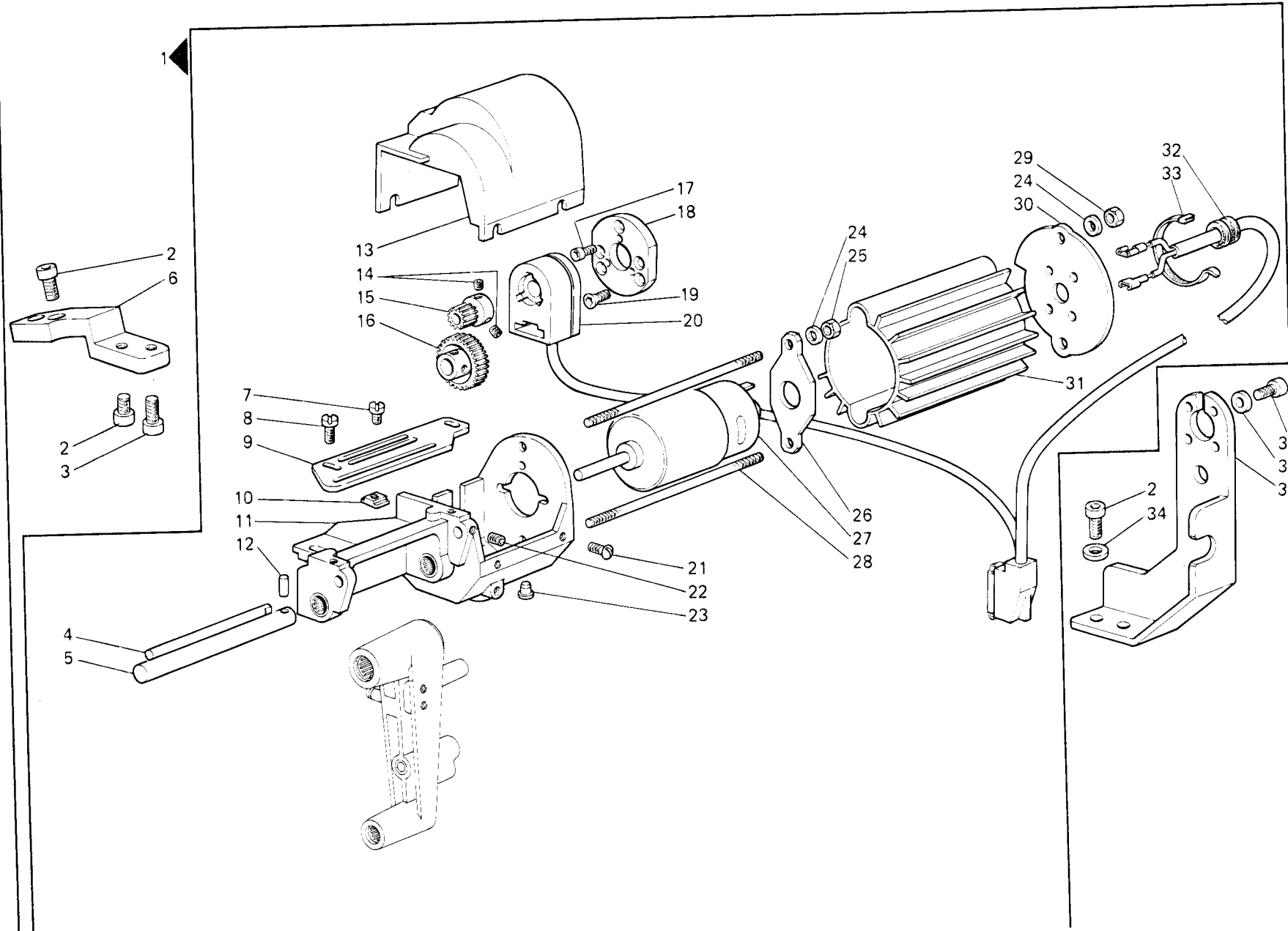


| Fig. N. | Part. N. Piece N. | Qt. |
|---------|-------------------|-----|
| 1       | 920632-4-01       | 1   |
| 2       | 721433-2-00       | 1   |
| 3       | 707221-0-00       | 1   |
| 4       | 920633-2-00       | 1   |
| 5       | 920752-0-02       | 1   |
| 6       | 304924-0-10       | 1   |
| 7       | 920635-0-00       | 1   |
| 8       | 920737-0-00       | 1   |
| 9       | 920924-0-00       | 1   |
| 10      | 920925-0-00       | 1   |
| 11      | 920493-2-00       | 1   |
| 12      | 721484-2-00       | 1   |

# WFS-6D-351-B0-0

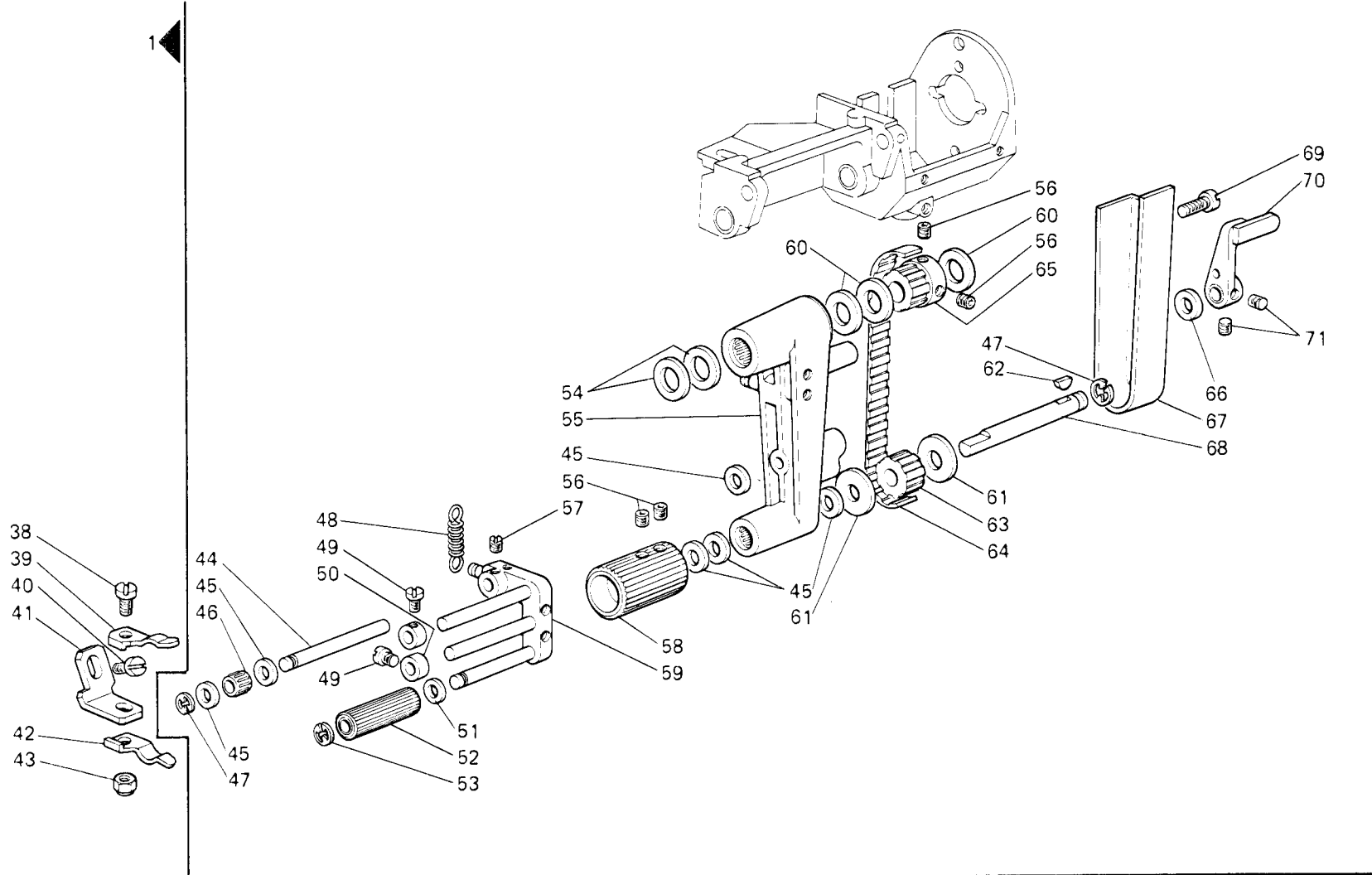
Rim®

1



| Fig. N. | Part. N. Piece N. | Qt. |
|---------|-------------------|-----|
| 1       | 933533-4-00       | 1   |
| 2       | 722433-2-00       | 5   |
| 3       | 722443-2-00       | 1   |
| 4       | 931465-0-10       | 1   |
| 5       | 932665-0-00       | 1   |
| 6       | 933524-0-00       | 1   |
| 7       | 741403-0-00       | 4   |
| 8       | 721412-2-00       | 2   |
| 9       | 931895-0-00       | 1   |
| 10      | 203949-0-10       | 4   |
| 11      | 932663-2-00       | 1   |
| 12      | 707283-0-00       | 1   |
| 13      | 932667-0-00       | 1   |
| 14      | 729011-2-00       | 2   |
| 15      | 932490-2-00       | 1   |
| 16      | 929423-0-00       | 1   |
| 17      | 932495-0-00       | 3   |
| 18      | 932491-0-00       | 1   |
| 19      | 725611-2-00       | 3   |
| 20      | 932493-4-00       | 1   |
| 21      | 200356-0-10       | 4   |
| 22      | 745810-2-00       | 1   |
| 23      | 207893-0-00       | 1   |
| 24      | 704106-2-00       | 8   |
| 25      | 733505-2-00       | 6   |
| 26      | 932666-0-00       | 1   |
| 27      | 932496-0-00       | 1   |
| 28      | 932664-0-00       | 2   |
| 29      | 734001-2-00       | 2   |
| 30      | 929438-0-01       | 1   |
| 31      | 929437-0-00       | 1   |
| 32      | 923010-0-10       | 1   |
| 33      | 920258-0-10       | 1   |
| 34      | 704518-2-00       | 2   |
| 35      | 722421-2-00       | 4   |
| 36      | 704505-2-00       | 4   |
| 37      | 933526-0-00       | 1   |

SEQUE  
FOLLOWS



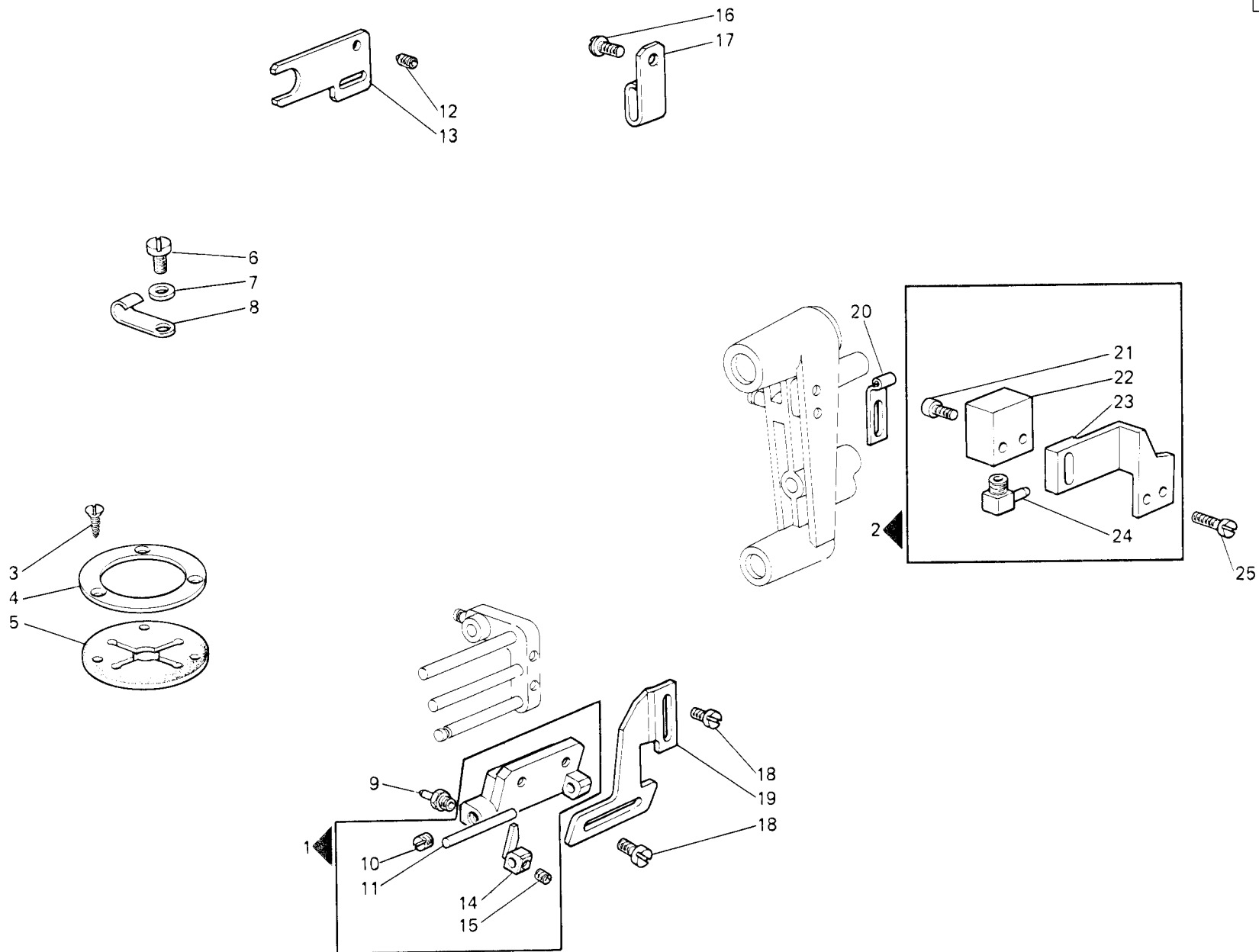
| Fig. N. | Part. N. / Piece N. | Qt. |
|---------|---------------------|-----|
| 38      | 721485-2-00         | 1   |
| 39      | 931920-0-00         | 1   |
| 40      | 742623-2-00         | 1   |
| 41      | 933525-0-00         | 1   |
| 42      | 931921-0-00         | 1   |
| 43      | 923943-0-00         | 1   |
| 44      | 931467-0-20         | 1   |
| 45      | 704813-0-00         | 6   |
| 46      | 930656-0-00         | 1   |
| 47      | 700207-0-00         | 2   |
| 48      | 100862-0-10         | 1   |
| 49      | 742811-0-00         | 4   |
| 50      | 304458-0-10         | 4   |
| 51      | 704802-0-00         | 1   |
| 52      | 931454-2-00         | 1   |
| 53      | 700205-0-00         | 1   |
| 54      | 704848-0-00         | 2   |
| 55      | 931451-2-00         | 1   |
| 56      | 729012-2-00         | 4   |
| 57      | 727014-2-00         | 2   |
| 58      | 931455-2-00         | 1   |
| 59      | 931462-2-00         | 1   |
| 60      | 705030-0-00         | 3   |
| 61      | 931457-0-00         | 2   |
| 62      | 206557-0-00         | 1   |
| 63      | 931461-0-00         | 1   |
| 64      | 931456-0-00         | 1   |
| 65      | 931466-2-00         | 1   |
| 66      | 704419-0-00         | 1   |
| 67      | 931459-0-00         | 1   |
| 68      | 931460-0-01         | 1   |
| 69      | 721434-2-00         | 2   |
| 70      | 931923-2-00         | 1   |
| 71      | 745812-2-00         | 2   |

SEGUE  
FOLLOWS

WFS-6D-351-B0-0

Rim®

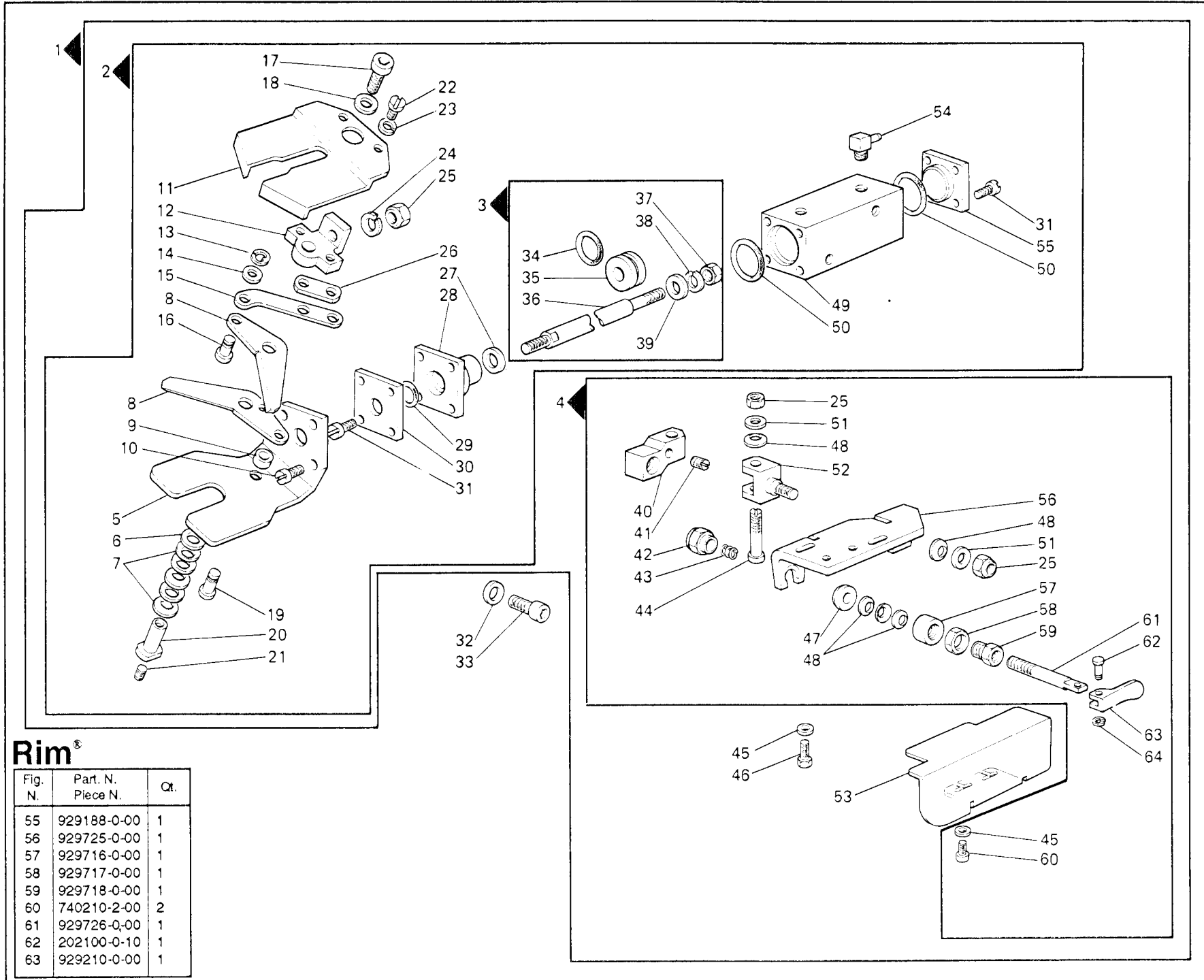
3



| Fig. N. | Part. N. Piece N. | Qt. |
|---------|-------------------|-----|
| 1       | 932779-4-00       | 1   |
| 2       | 931899-4-00       | 1   |
| 3       | 731244-0-00       | 3   |
| 4       | 921175-0-00       | 1   |
| 5       | 921176-0-00       | 1   |
| 6       | 741974-2-00       | 1   |
| 7       | 704505-2-00       | 1   |
| 8       | 921047-0-10       | 1   |
| 9       | 924448-0-01       | 1   |
| 10      | 727216-0-00       | 1   |
| 11      | 9326780-00        | 1   |
| 12      | 730022-2-00       | 1   |
| 13      | 932628-2-00       | 1   |
| 14      | 932668-2-00       | 1   |
| 15      | 745800-2-00       | 1   |
| 16      | 202397-0-10       | 1   |
| 17      | 928783-0-00       | 1   |
| 18      | 741658-5-00       | 2   |
| 19      | 933584-0-00       | 1   |
| 20      | 931468-0-00       | 1   |
| 21      | 722440-2-00       | 2   |
| 22      | 943906-0-00       | 1   |
| 23      | 931922-0-00       | 1   |
| 24      | 944821-0-00       | 1   |
| 25      | 721424-2-00       | 2   |

# WFS-6D-351-B1-0

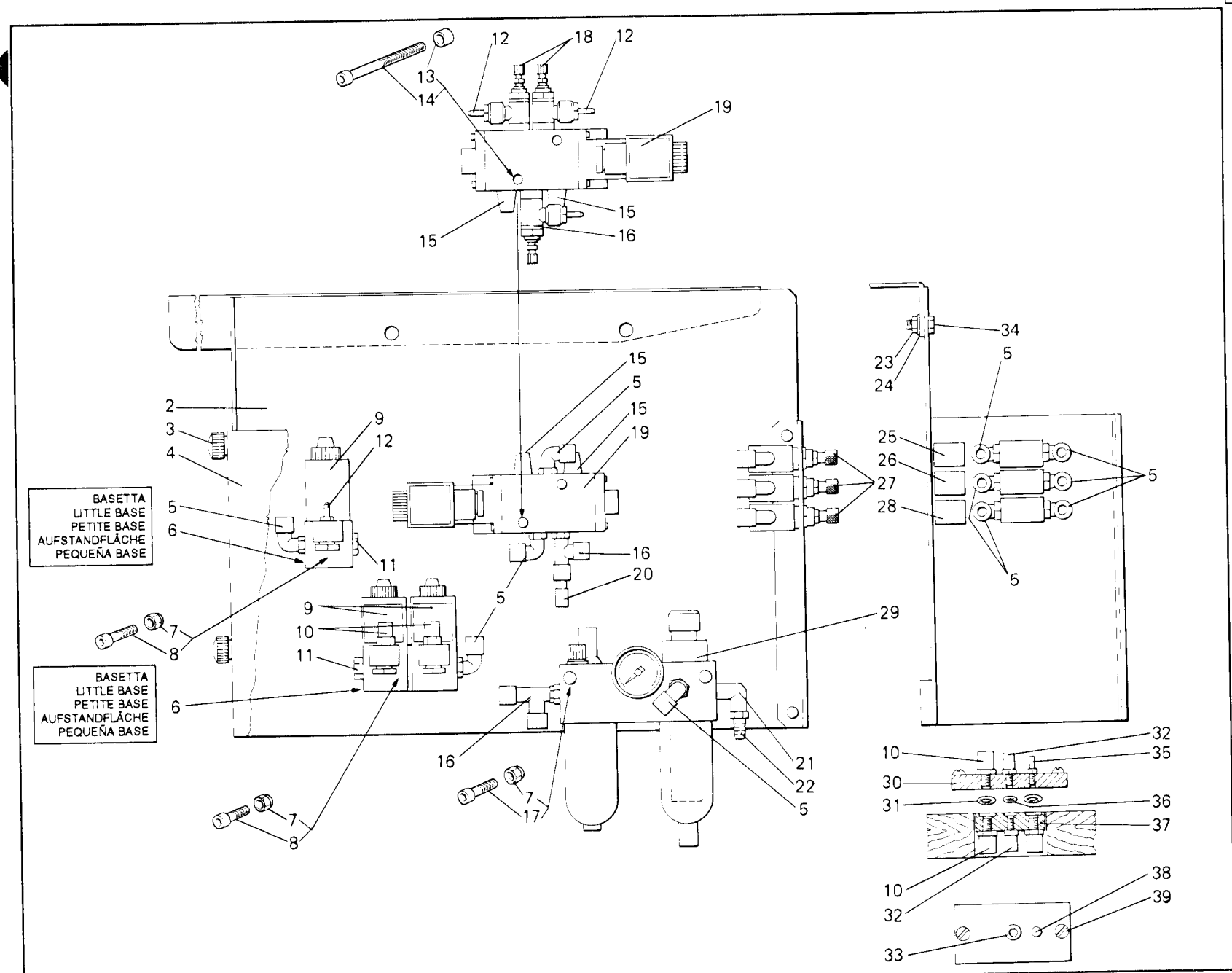
# Rim®



| Fig. N. | Part. N. Piece N. | Qt. |
|---------|-------------------|-----|
| 1       | 933530-4-00       | 1   |
| 2       | 929182-4-01       | 1   |
| 3       | 929184-4-00       | 1   |
| 4       | 933529-4-00       | 1   |
| 5       | 929191-0-00       | 1   |
| 6       | 705213-0-00       | 1   |
| 7       | 702406-0-00       | 5   |
| 8       | 929197-0-02       | 2   |
| 9       | 929196-0-00       | 1   |
| 10      | 741685-2-00       | 3   |
| 11      | 929200-0-00       | 1   |
| 12      | 929192-0-00       | 1   |
| 13      | 700205-0-00       | 7   |
| 14      | 704205-2-00       | 8   |
| 15      | 929194-0-00       | 2   |
| 16      | 303767-0-11       | 5   |
| 17      | 722410-5-00       | 1   |
| 18      | 704206-2-00       | 1   |
| 19      | 929195-0-01       | 1   |
| 20      | 929198-0-01       | 1   |
| 21      | 729031-5-00       | 1   |
| 22      | 741642-2-00       | 2   |
| 23      | 703003-0-00       | 2   |
| 24      | 703007-0-00       | 1   |
| 25      | 923943-0-00       | 3   |
| 26      | 929193-0-00       | 2   |
| 27      | 705890-0-00       | 1   |
| 28      | 929187-0-00       | 1   |
| 29      | 701006-0-00       | 1   |
| 30      | 929190-0-00       | 1   |
| 31      | 741559-2-00       | 5   |
| 32      | 704314-2-00       | 1   |
| 33      | 722433-2-00       | 1   |
| 34      | 701016-0-00       | 1   |
| 35      | 929186-0-00       | 1   |
| 36      | 929185-0-00       | 1   |
| 37      | 733505-0-00       | 1   |
| 38      | 703005-2-00       | 1   |
| 39      | 704306-2-00       | 1   |
| 40      | 933527-2-00       | 1   |
| 41      | 729032-5-00       | 1   |
| 42      | 933528-0-00       | 1   |
| 43      | 300696-0-10       | 1   |
| 44      | 929728-0-00       | 1   |
| 45      | 704104-2-00       | 4   |
| 46      | 740250-2-00       | 2   |
| 47      | 929211-0-10       | 1   |
| 48      | 702408-0-00       | 5   |
| 49      | 929183-0-00       | 1   |
| 50      | 701030-0-00       | 2   |
| 51      | 704216-2-00       | 2   |
| 52      | 929720-0-00       | 1   |
| 53      | 929729-2-00       | 1   |
| 54      | 926409-0-01       | 2   |

## Rim®

| Fig. N. | Part. N. Piece N. | Qt. |
|---------|-------------------|-----|
| 55      | 929188-0-00       | 1   |
| 56      | 929725-0-00       | 1   |
| 57      | 929716-0-00       | 1   |
| 58      | 929717-0-00       | 1   |
| 59      | 929718-0-00       | 1   |
| 60      | 740210-2-00       | 2   |
| 61      | 929726-0-00       | 1   |
| 62      | 202100-0-10       | 1   |
| 63      | 929210-0-00       | 1   |



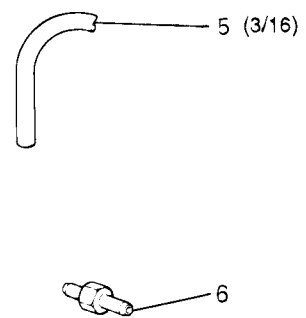
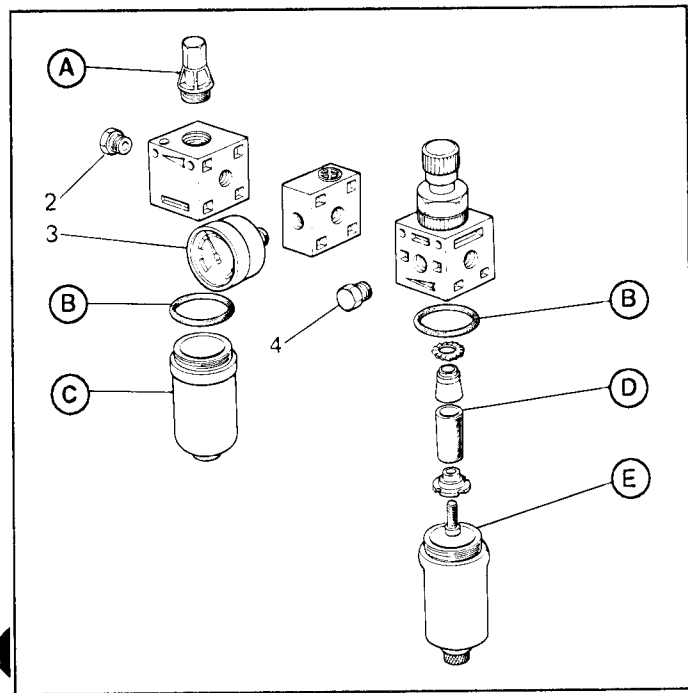
| Fig. N. | Part. N. / Piece N. | Qt. |
|---------|---------------------|-----|
| 1       | 932864-4-00         | 1   |
| 2       | 932554-0-00         | 1   |
| 3       | 941365-0-00         | 4   |
| 4       | 932555-0-00         | 1   |
| 5       | 941511-4-00         | 11  |
| 6       | 942981-4-10         | 3   |
| 7       | 734001-2-00         | 4   |
| 8       | 722481-2-00         | 4   |
| 9       | 940421-4-01         | 3   |
| 10      | 941503-4-00         | 8   |
| 11      | 925779-0-00         | 2   |
| 12      | 924870-0-10         | 3   |
| 13      | 930204-0-00         | 4   |
| 14      | 722581-2-00         | 2   |
| 15      | 924851-0-10         | 4   |
| 16      | 941524-4-00         | 3   |
| 17      | 722521-2-00         | 2   |
| 18      | 932708-2-00         | 2   |
| 19      | 929299-4-11         | 2   |
| 20      | 941565-4-00         | 1   |
| 21      | 932787-0-00         | 1   |
| 22      | 922775-0-00         | 1   |
| 23      | 733510-2-00         | 2   |
| 24      | 704011-4-00         | 2   |
| 25      | 931936-0-00         | 1   |
| 26      | 931937-0-00         | 1   |
| 27      | 923800-0-00         | 3   |
| 28      | 902567-0-00         | 1   |
| 29      | 932621-4-00         | 1   |
| 30      | 932627-0-00         | 1   |
| 31      | 701009-0-00         | 4   |
| 32      | 941500-4-00         | 2   |
| 33      | 722463-2-00         | 1   |
| 34      | 720505-2-00         | 2   |
| 35      | 927655-0-00         | 2   |
| 36      | 701003-0-00         | 1   |
| 37      | 932563-0-00         | 1   |
| 38      | 707298-0-00         | 1   |
| 39      | 731086-2-00         | 2   |

SEQUE  
FOLLOWS



|   | A           | B           | C           | D           | E           |
|---|-------------|-------------|-------------|-------------|-------------|
| <b>F.R.L. METALWORK</b><br>COLORE ARANCIO - ORANGE COLOUR - COLEUR ORANGE - ORANGEFARBE - COLOR NARANJA | 924245-4-00 | 924233-0-00 | 924244-4-00 | 924238-0-00 | 924239-4-00 |
| <b>F.R.L. STAMPOTECNICA</b><br>COLORE NERO - BLACK COLOUR - COLEUR NOIRE - SCHWARZFARBE - COLOR NEGRO   | 925199-4-00 | 701133-0-00 | 925198-4-00 | 925196-0-00 | 925197-4-00 |

| Fig. N. | Part. N. / Piece N. | Qt. |
|---------|---------------------|-----|
| 1       | 932621-4-00         | 1   |
| 2       | 943202-0-00         | 1   |
| 3       | 922846-4-00         | 1   |
| 4       | 925779-0-00         | 1   |
| 5       | M295171476          | --- |
| 6       | 928246-0-00         | 2   |

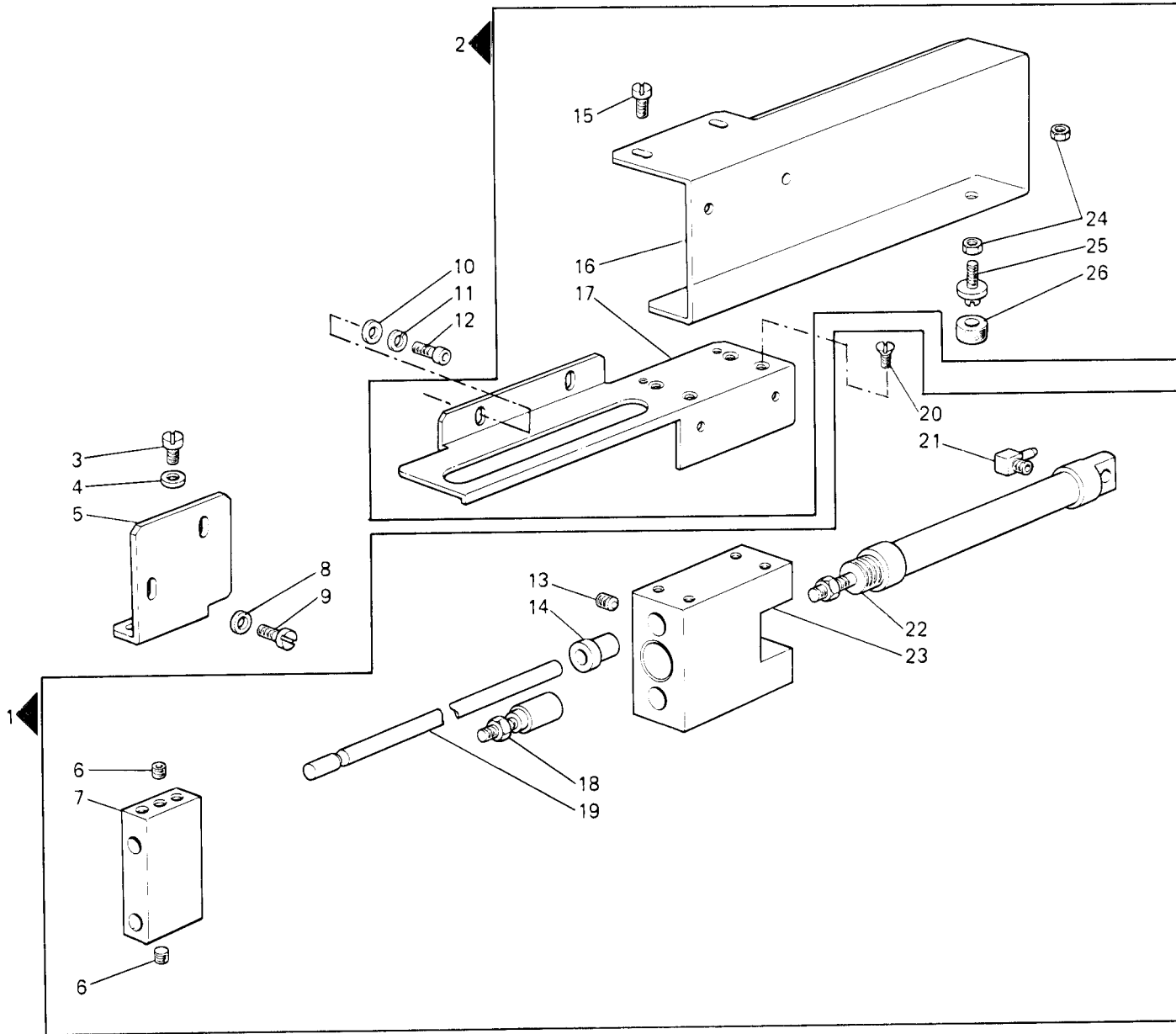


SEQUE  
FOLLOWS

# WFS-6D-353-B0-0

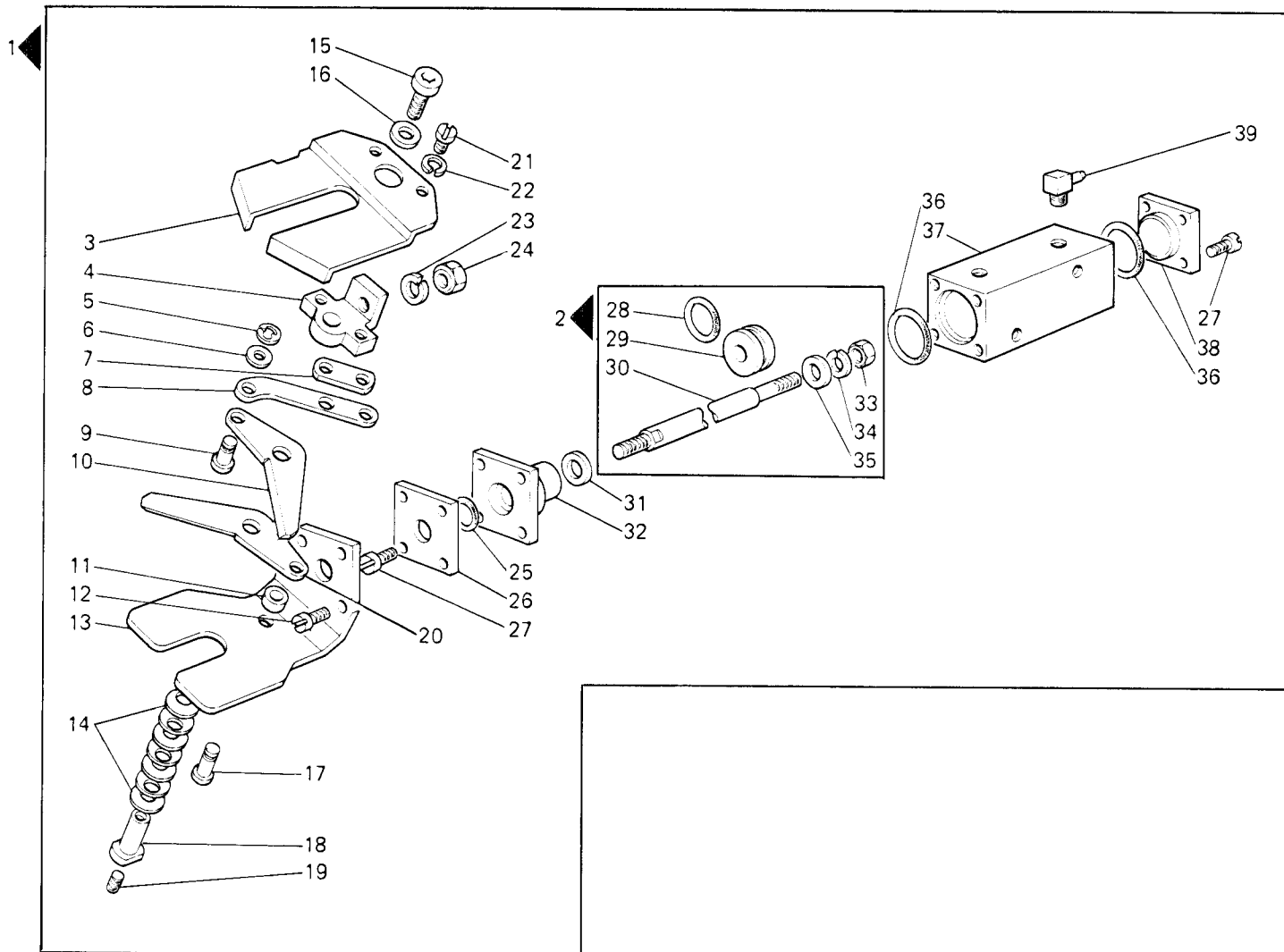
# Rim®

3

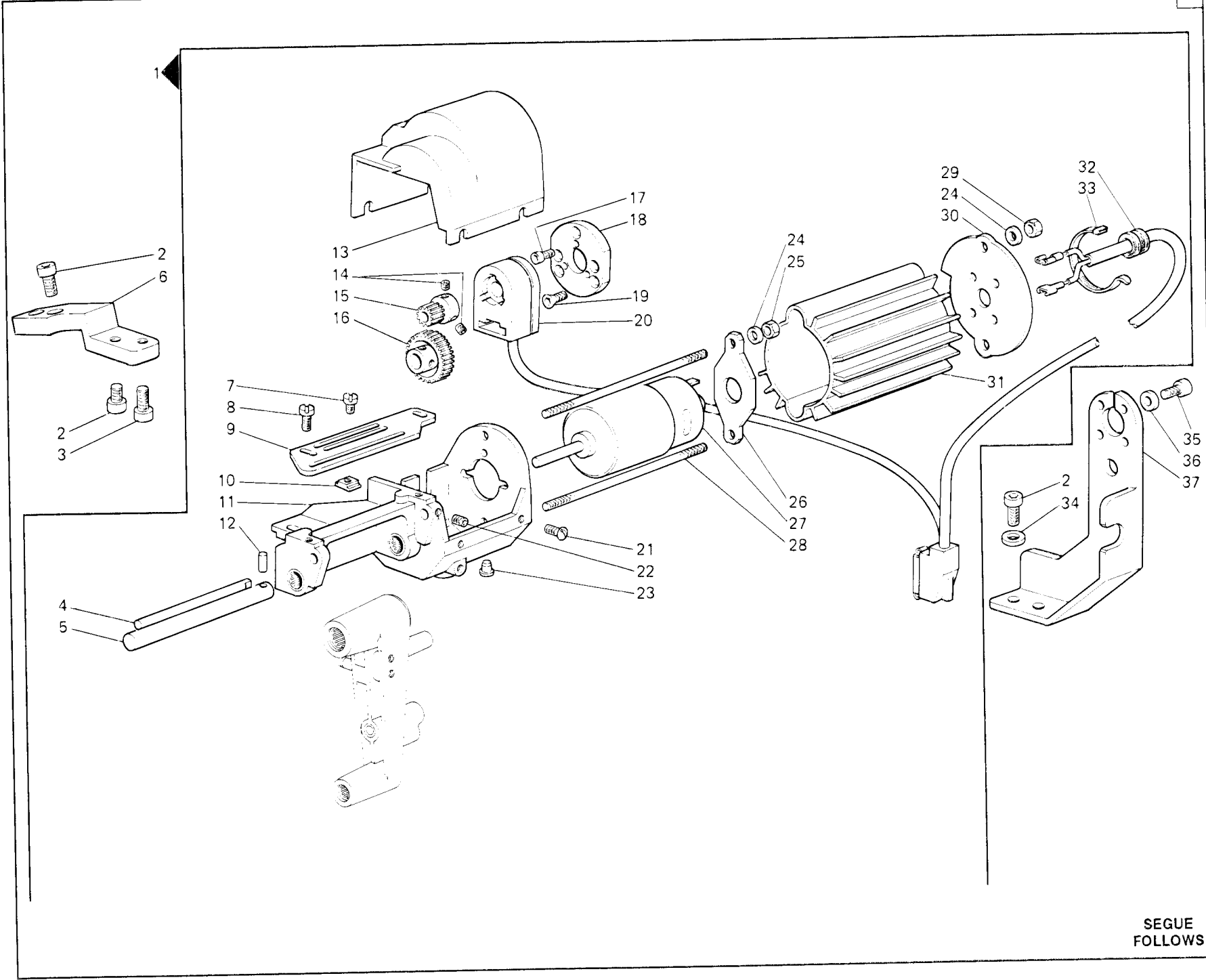


| Fig. N. | Part. N. Piece N. | Qt. |
|---------|-------------------|-----|
| 1       | 932746-4-00       | 1   |
| 2       | 933697-4-00       | 1   |
| 3       | 722421-2-00       | 2   |
| 4       | 704211-2-00       | 2   |
| 5       | 932578-0-02       | 1   |
| 6       | 730022-2-00       | 2   |
| 7       | 932742-0-00       | 1   |
| 8       | 704004-0-00       | 2   |
| 9       | 740230-2-00       | 2   |
| 10      | 704419-0-00       | 2   |
| 11      | 703008-0-00       | 2   |
| 12      | 722433-2-00       | 2   |
| 13      | 202391-0-11       | 1   |
| 14      | 932743-0-00       | 4   |
| 15      | 741925-2-00       | 4   |
| 16      | 933698-0-00       | 1   |
| 17      | 933699-0-00       | 1   |
| 18      | 932745-0-00       | 1   |
| 19      | 932744-0-00       | 2   |
| 20      | 724064-2-00       | 4   |
| 21      | 943892-0-01       | 2   |
| 22      | 932566-2-00       | 1   |
| 23      | 932533-0-00       | 1   |
| 24      | 746007-2-00       | 2   |
| 25      | 211694-0-00       | 1   |
| 26      | 211028-0-00       | 1   |

SEGUE  
FOLLOWS



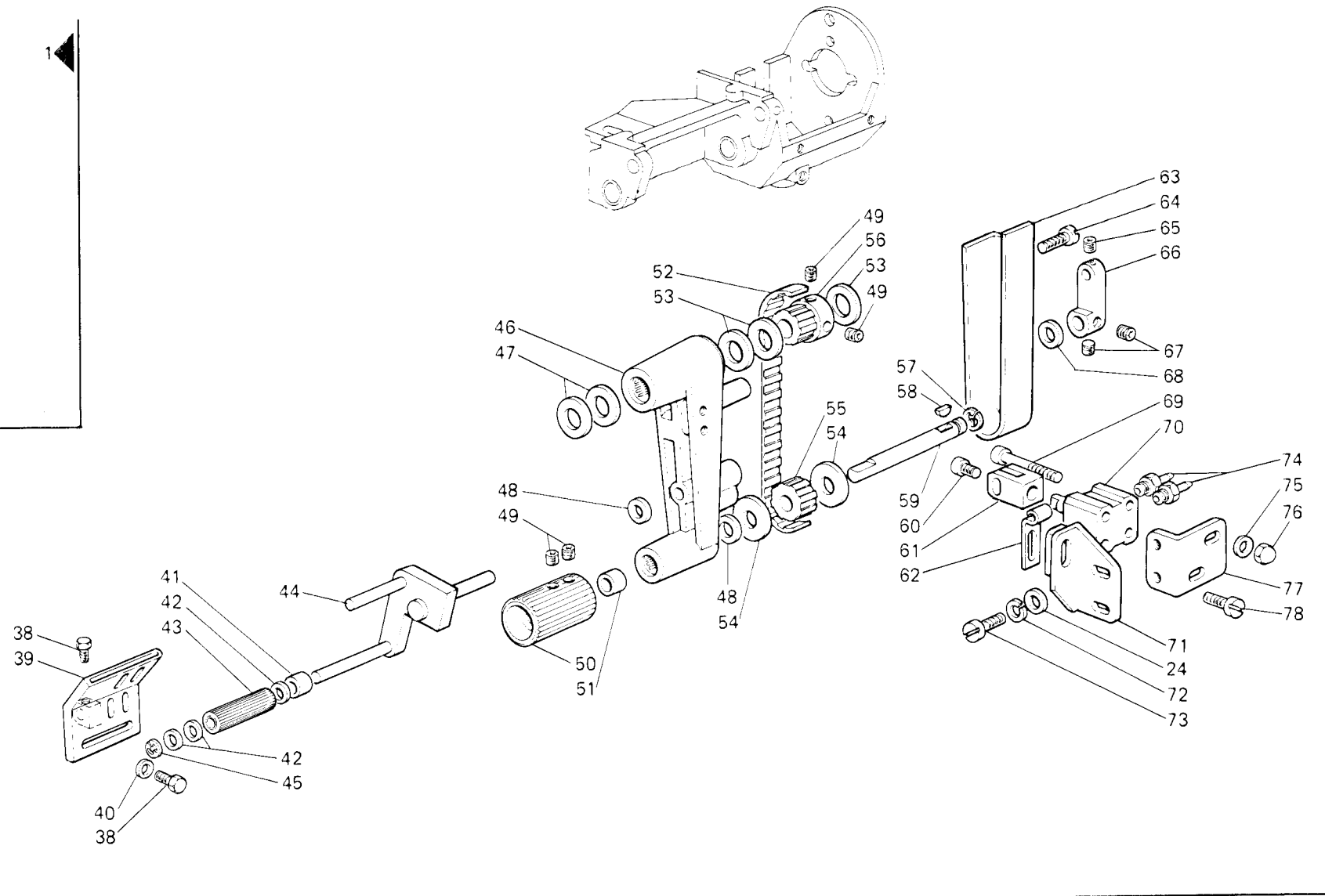
| Fig. N. | Part. N. Piece N. | Qt. |
|---------|-------------------|-----|
| 1       | 931908-4-00       | 1   |
| 2       | 929184-4-00       | 1   |
| 3       | 931897-0-00       | 1   |
| 4       | 929192-0-00       | 1   |
| 5       | 700205-0-00       | 6   |
| 6       | 704205-2-00       | 8   |
| 7       | 929193-0-00       | 2   |
| 8       | 929194-0-00       | 2   |
| 9       | 303767-0-11       | 5   |
| 10      | 929351-0-00       | 1   |
| 11      | 929196-0-00       | 1   |
| 12      | 741685-2-00       | 3   |
| 13      | 929191-0-00       | 1   |
| 14      | 702406-0-00       | 7   |
| 15      | 722410-5-00       | 1   |
| 16      | 704206-2-00       | 1   |
| 17      | 929195-0-01       | 1   |
| 18      | 929198-0-01       | 1   |
| 19      | 729031-5-00       | 1   |
| 20      | 929399-2-00       | 1   |
| 21      | 741642-2-00       | 2   |
| 22      | 703003-0-00       | 2   |
| 23      | 703007-0-00       | 1   |
| 24      | 923943-0-00       | 1   |
| 25      | 701006-0-00       | 1   |
| 26      | 929190-0-00       | 1   |
| 27      | 741559-2-00       | 5   |
| 28      | 701016-0-00       | 1   |
| 29      | 929186-0-00       | 1   |
| 30      | 929185-0-00       | 1   |
| 31      | 705890-0-00       | 1   |
| 32      | 929187-0-00       | 1   |
| 33      | 733505-0-00       | 1   |
| 34      | 703005-2-00       | 1   |
| 35      | 704306-2-00       | 1   |
| 36      | 701030-0-00       | 2   |
| 37      | 929183-0-00       | 1   |
| 38      | 929188-0-00       | 1   |
| 39      | 926409-0-01       | 2   |



| Fig. N. | Part. N. Piece N. | Qt. |
|---------|-------------------|-----|
| 1       | 933870-4-00       | 1   |
| 2       | 722433-2-00       | 5   |
| 3       | 722443-2-00       | 1   |
| 4       | 931465-0-10       | 1   |
| 5       | 932665-0-00       | 1   |
| 6       | 933588-0-00       | 1   |
| 7       | 741403-0-00       | 4   |
| 8       | 721412-2-00       | 2   |
| 9       | 931895-0-00       | 1   |
| 10      | 203948-0-10       | 4   |
| 11      | 932663-2-00       | 1   |
| 12      | 707283-0-00       | 1   |
| 13      | 932667-0-00       | 1   |
| 14      | 729011-2-00       | 2   |
| 15      | 932490-2-00       | 1   |
| 16      | 929423-0-00       | 1   |
| 17      | 932495-0-00       | 3   |
| 18      | 932491-0-00       | 1   |
| 19      | 725611-2-00       | 3   |
| 20      | 932493-4-00       | 1   |
| 21      | 200356-0-10       | 4   |
| 22      | 745810-2-00       | 1   |
| 23      | 207893-0-00       | 1   |
| 24      | 704106-2-00       | 8   |
| 25      | 733505-2-00       | 6   |
| 26      | 932666-0-00       | 1   |
| 27      | 932496-0-00       | 1   |
| 28      | 932664-0-00       | 2   |
| 29      | 734001-2-00       | 2   |
| 30      | 929438-0-01       | 1   |
| 31      | 929437-0-00       | 1   |
| 32      | 923010-0-10       | 1   |
| 33      | 920258-0-10       | 1   |
| 34      | 704518-2-00       | 2   |
| 35      | 722421-2-00       | 4   |
| 36      | 704505-2-00       | 4   |
| 37      | 933526-0-00       | 1   |

SEQUE  
FOLLOWS

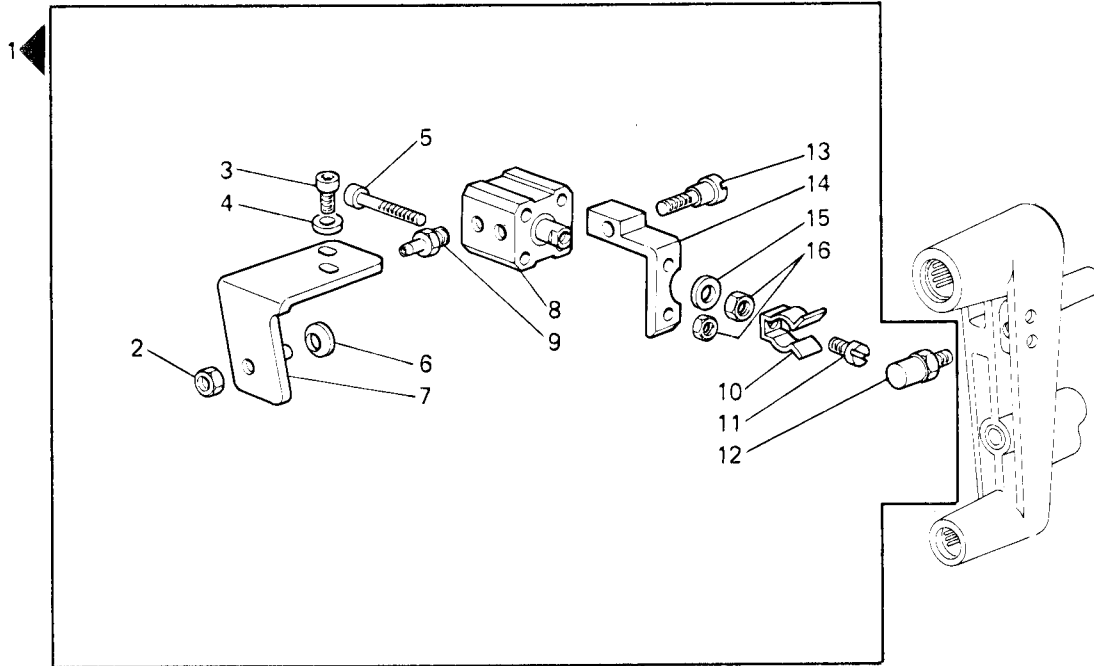
1



| Fig. N. | Part. N. Piece N. | Qt. |
|---------|-------------------|-----|
| 38      | 704210-2-00       | 2   |
| 39      | 933873-2-00       | 1   |
| 40      | 704302-4-00       | 2   |
| 41      | 206882-0-00       | 1   |
| 42      | 704802-0-00       | 3   |
| 43      | 931454-2-00       | 1   |
| 44      | 933872-0-00       | 1   |
| 45      | 700205-0-00       | 1   |
| 46      | 933371-2-00       | 1   |
| 47      | 704848-0-00       | 2   |
| 48      | 704813-0-00       | 2   |
| 49      | 729012-2-00       | 4   |
| 50      | 931455-2-00       | 1   |
| 51      | 943148-0-00       | 1   |
| 52      | 931456-0-00       | 1   |
| 53      | 705030-0-00       | 3   |
| 54      | 931457-0-00       | 2   |
| 55      | 931461-0-00       | 1   |
| 56      | 931466-2-00       | 1   |
| 57      | 700207-0-00       | 1   |
| 58      | 206557-0-00       | 1   |
| 59      | 933874-0-00       | 1   |
| 60      | 722420-5-00       | 1   |
| 61      | 932638-0-00       | 1   |
| 62      | 931468-0-00       | 1   |
| 63      | 931459-0-00       | 1   |
| 64      | 721434-2-00       | 2   |
| 65      | 745810-5-00       | 1   |
| 66      | 932636-2-00       | 1   |
| 67      | 745812-2-00       | 2   |
| 68      | 704419-0-00       | 1   |
| 69      | 722480-2-00       | 2   |
| 70      | 932655-4-00       | 1   |
| 71      | 932641-0-00       | 1   |
| 72      | 703005-0-00       | 4   |
| 73      | 722411-2-00       | 2   |
| 74      | 927655-0-00       | 2   |
| 75      | 704104-2-00       | 2   |
| 76      | 926729-0-00       | 2   |
| 77      | 932637-0-01       | 1   |
| 78      | 722441-2-00       | 2   |

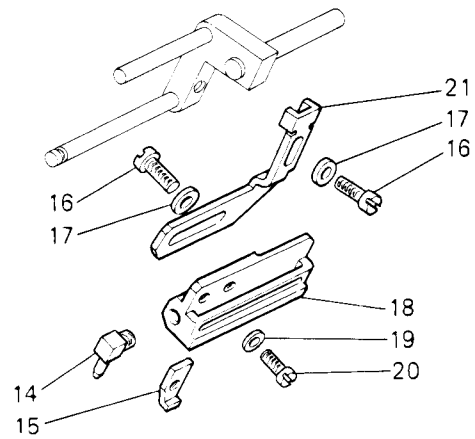
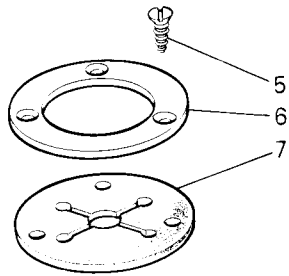
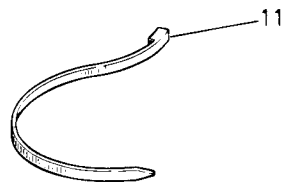
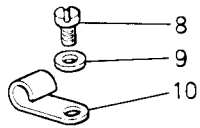
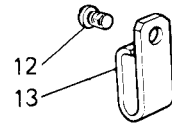
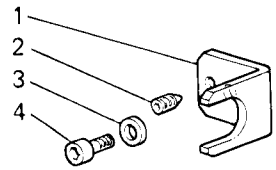
SEQUE  
FOLLOWS

3



| Fig. N. | Part. N. Piece N. | Qt. |
|---------|-------------------|-----|
| 1       | 933880-4-00       | 1   |
| 2       | 942787-0-00       | 1   |
| 3       | 722421-2-00       | 2   |
| 4       | 704106-2-00       | 2   |
| 5       | 722480-2-00       | 2   |
| 6       | 702403-0-00       | 1   |
| 7       | 933883-2-00       | 1   |
| 8       | 932655-4-00       | 1   |
| 9       | 927655-4-00       | 2   |
| 10      | 933882-0-00       | 1   |
| 11      | 741579-2-00       | 1   |
| 12      | 933881-0-00       | 1   |
| 13      | 743486-2-00       | 1   |
| 14      | 933884-0-00       | 1   |
| 15      | 704104-2-00       | 1   |
| 16      | 733503-2-00       | 3   |

SEGUE  
FOLLOWS

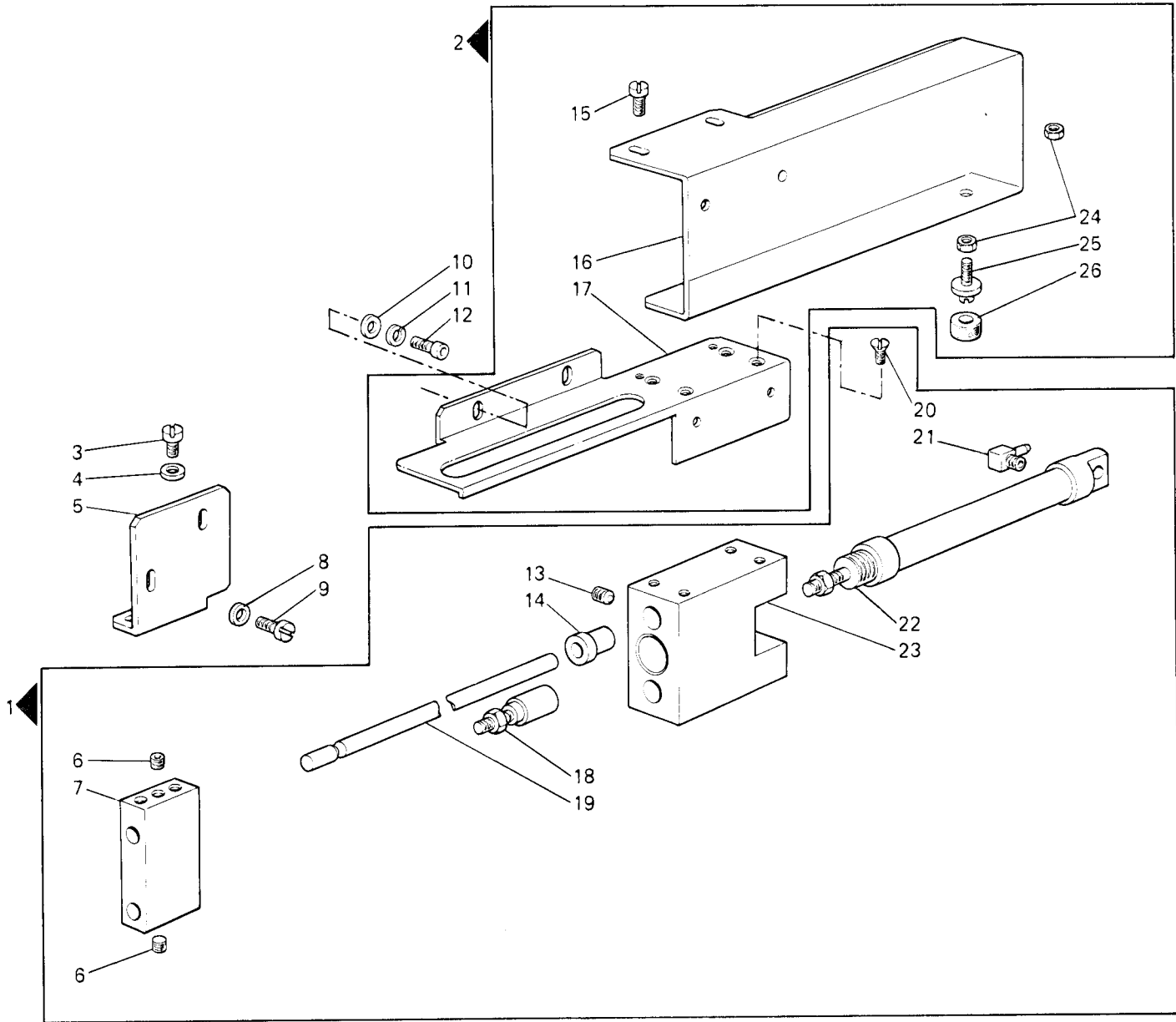


| Fig. N. | Part. N. Piece N. | Qt. |
|---------|-------------------|-----|
| 1       | 933879-2-00       | 1   |
| 2       | 730022-2-00       | 1   |
| 3       | 704505-2-00       | 1   |
| 4       | 722451-2-00       | 1   |
| 5       | 731244-0-00       | 3   |
| 6       | 921175-0-00       | 1   |
| 7       | 921176-0-00       | 1   |
| 8       | 741974-2-00       | 1   |
| 9       | 704505-2-00       | 1   |
| 10      | 921047-0-10       | 1   |
| 11      | 920258-0-10       | 5   |
| 12      | 202397-0-10       | 1   |
| 13      | 928783-0-00       | 1   |
| 14      | 943892-0-01       | 1   |
| 15      | 943878-0-00       | 1   |
| 16      | 741658-2-00       | 3   |
| 17      | 704104-2-00       | 3   |
| 18      | 933876-2-00       | 1   |
| 19      | 704102-2-00       | 1   |
| 20      | 741431-2-00       | 1   |
| 21      | 933875-0-00       | 1   |

# WFS-6D-355-B1-0

Rim®

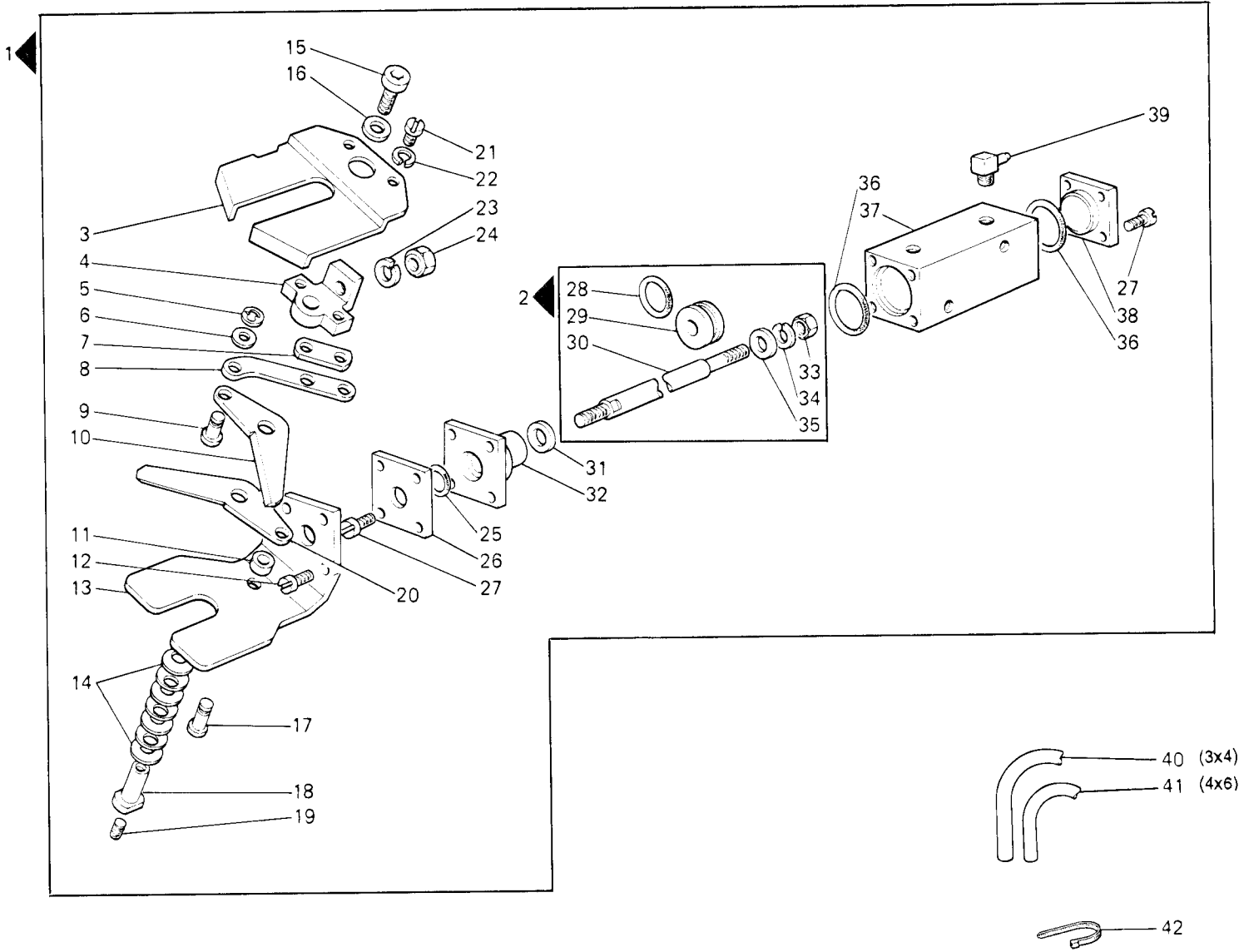
1



| Fig. N. | Part. N. Piece N. | Qt. |
|---------|-------------------|-----|
| 1       | 932746-4-00       | 1   |
| 2       | 933697-4-00       | 1   |
| 3       | 722421-2-00       | 2   |
| 4       | 704211-2-00       | 2   |
| 5       | 932578-0-02       | 1   |
| 6       | 730022-2-00       | 2   |
| 7       | 932742-0-00       | 1   |
| 8       | 704004-0-00       | 2   |
| 9       | 740230-2-00       | 2   |
| 10      | 704419-0-00       | 2   |
| 11      | 703008-0-00       | 2   |
| 12      | 722433-2-00       | 2   |
| 13      | 202391-0-11       | 1   |
| 14      | 932743-0-00       | 4   |
| 15      | 741925-2-00       | 4   |
| 16      | 933698-0-00       | 1   |
| 17      | 933699-0-00       | 1   |
| 18      | 932745-0-00       | 1   |
| 19      | 932744-0-00       | 2   |
| 20      | 724064-2-00       | 4   |
| 21      | 943892-0-01       | 2   |
| 22      | 932566-2-00       | 1   |
| 23      | 932533-0-00       | 1   |
| 24      | 746007-2-00       | 2   |
| 25      | 211694-0-00       | 1   |
| 26      | 211028-0-00       | 1   |

SEGUE  
FOLLOWS





| Fig. N. | Part. N. Piece N. | Qt. |
|---------|-------------------|-----|
| 1       | 931908-4-00       | 1   |
| 2       | 929184-4-00       | 1   |
| 3       | 931897-0-00       | 1   |
| 4       | 929192-0-00       | 1   |
| 5       | 700205-0-00       | 6   |
| 6       | 704205-2-00       | 8   |
| 7       | 929193-0-00       | 2   |
| 8       | 929194-0-00       | 2   |
| 9       | 303767-0-11       | 5   |
| 10      | 929351-0-00       | 1   |
| 11      | 929196-0-00       | 1   |
| 12      | 741685-2-00       | 3   |
| 13      | 929191-0-00       | 1   |
| 14      | 702406-0-00       | 7   |
| 15      | 722410-5-00       | 1   |
| 16      | 704206-2-00       | 1   |
| 17      | 929195-0-01       | 1   |
| 18      | 929198-0-01       | 1   |
| 19      | 729031-5-00       | 1   |
| 20      | 929399-2-00       | 1   |
| 21      | 741642-2-00       | 2   |
| 22      | 703003-0-00       | 2   |
| 23      | 703007-0-00       | 1   |
| 24      | 923943-0-00       | 1   |
| 25      | 701006-0-00       | 1   |
| 26      | 929190-0-00       | 1   |
| 27      | 741559-2-00       | 5   |
| 28      | 701016-0-00       | 1   |
| 29      | 929186-0-00       | 1   |
| 30      | 929185-0-00       | 1   |
| 31      | 705890-0-00       | 1   |
| 32      | 929187-0-00       | 1   |
| 33      | 733505-0-00       | 1   |
| 34      | 703005-2-00       | 1   |
| 35      | 704306-2-00       | 1   |
| 36      | 701030-0-00       | 2   |
| 37      | 929183-0-00       | 1   |
| 38      | 929188-0-00       | 1   |
| 39      | 926409-0-01       | 2   |
| 40      | M295190405        | --- |
| 41      | M295779610        | --- |
| 42      | 920258-0-10       | 5   |

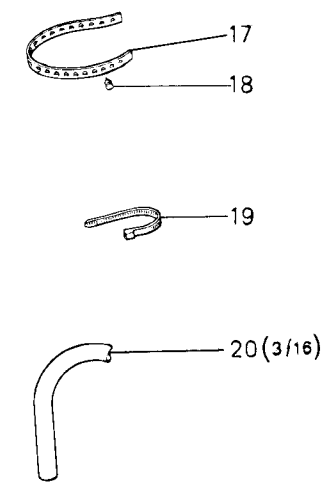
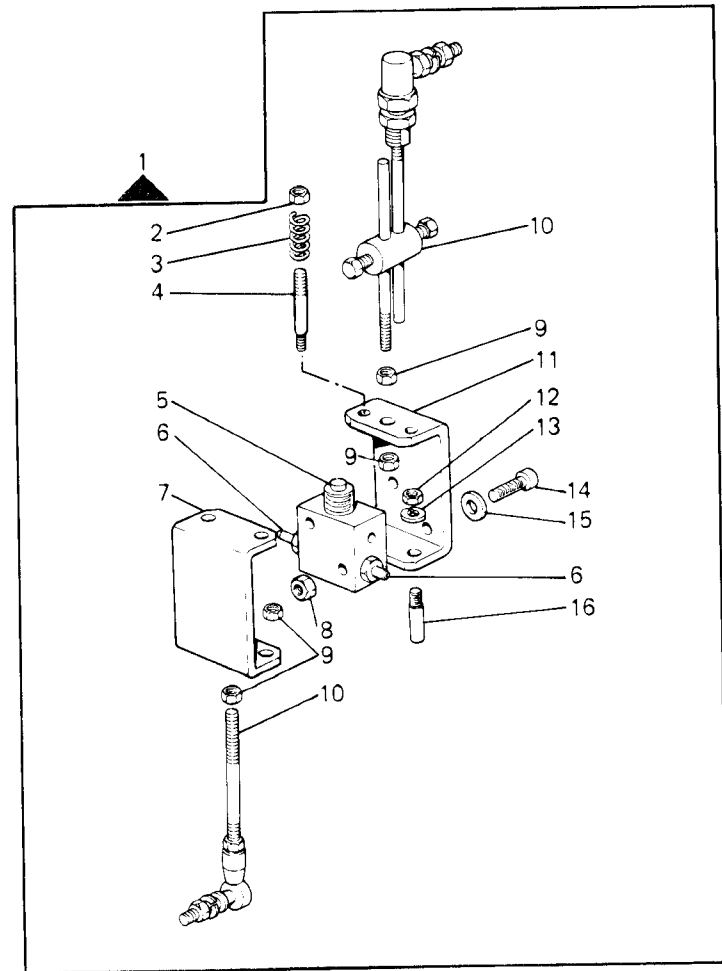
GRUPPI DI COMPOSIZIONE - COMPOSITION KITS - GROUPES DE KIT - KIT GRUPPEN - GRUPOS DE COMPOSICION

KIT DI COMANDO  
CONTROL KIT  
KIT DE COMMANDE  
STEUERAPPARAT KIT  
KIT DE MANDO

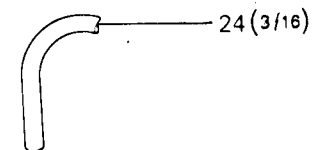
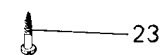
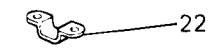
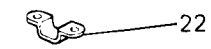
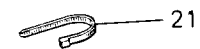
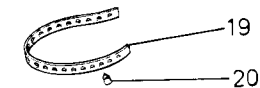
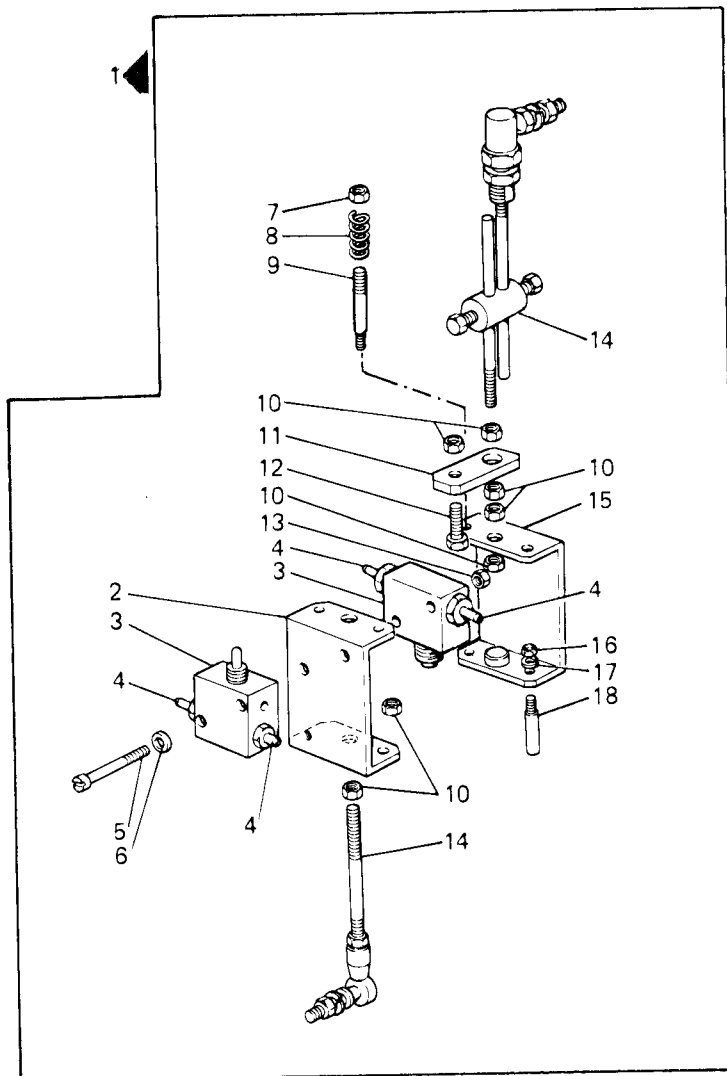
**WFS-6D**

# WFS-6D-001-40-0

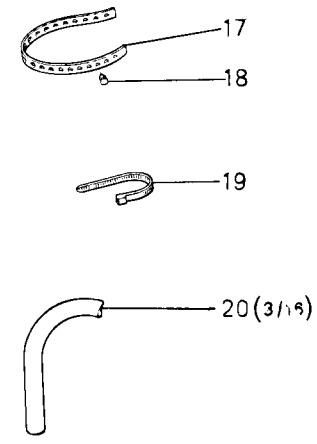
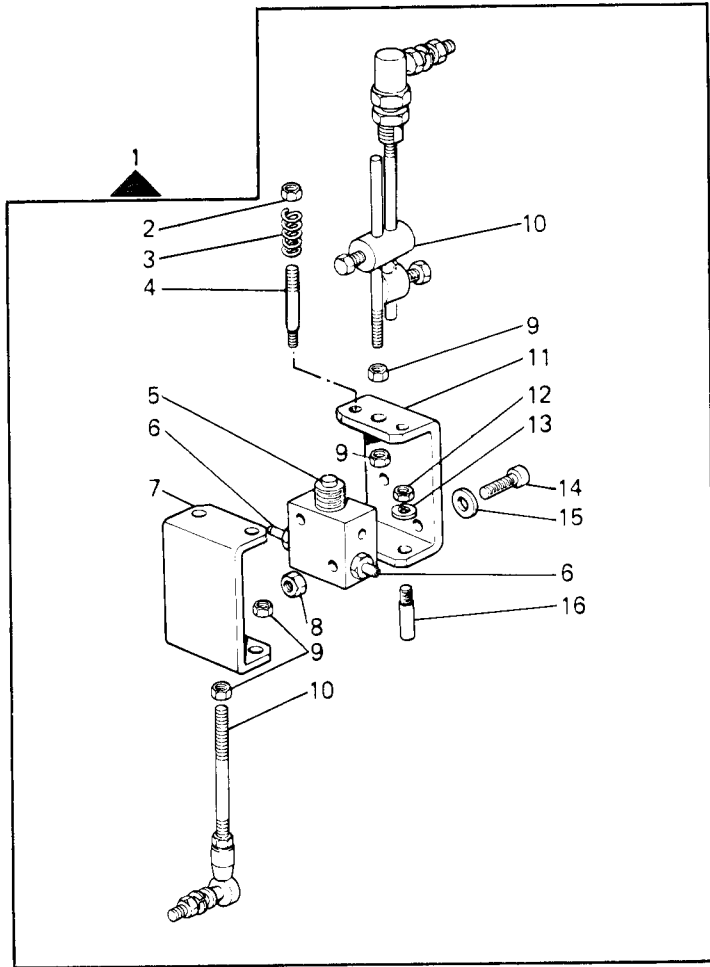
# Rim®



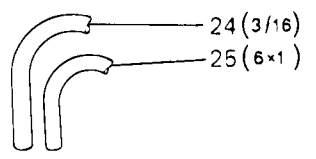
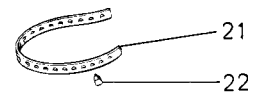
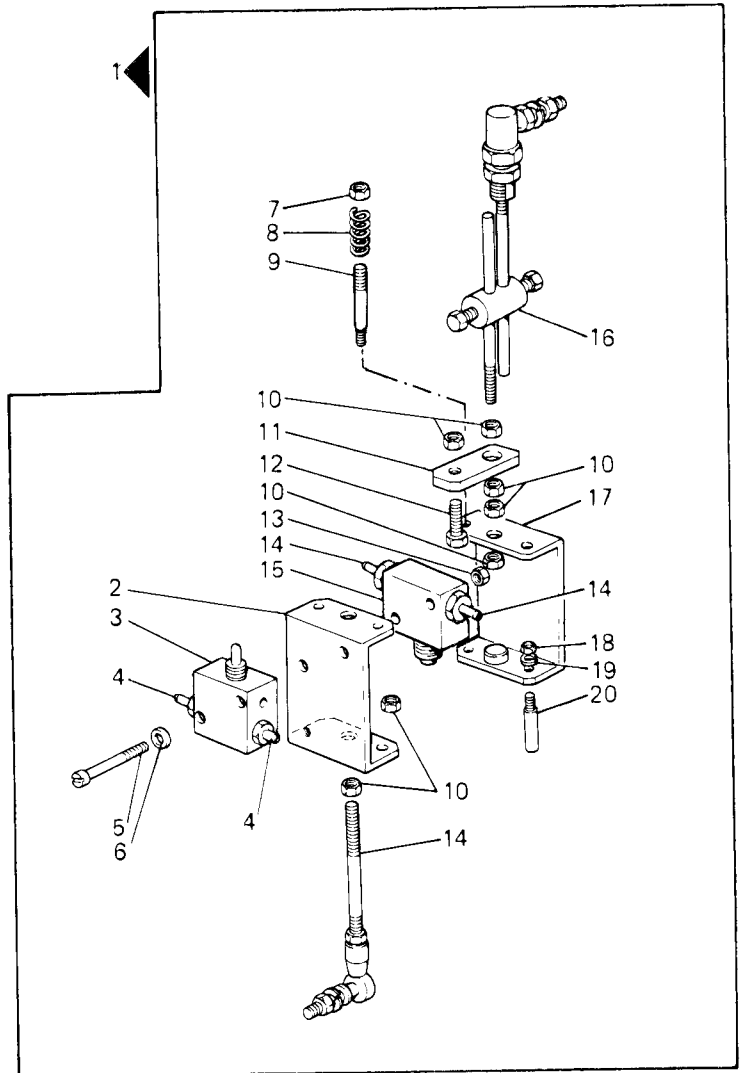
| Fig. N. | Part. N. Piece N. | Qt. |
|---------|-------------------|-----|
| 1       | 922365-4-04       | 1   |
| 2       | 942787-0-00       | 1   |
| 3       | 101181-0-10       | 1   |
| 4       | 922320-0-00       | 1   |
| 5       | 922368-4-03       | 1   |
| 6       | 924870-0-10       | 2   |
| 7       | 922370-2-00       | 1   |
| 8       | 733505-2-00       | 2   |
| 9       | 746204-2-00       | 4   |
| 10      | 922366-0-00       | 1   |
| 11      | 922373-0-00       | 1   |
| 12      | 926729-0-00       | 4   |
| 13      | 703203-0-00       | 4   |
| 14      | 721086-2-00       | 2   |
| 15      | 704306-2-00       | 2   |
| 16      | 922374-0-00       | 3   |
| 17      | 990441-0-10       | 2   |
| 18      | 990442-0-10       | 2   |
| 19      | 920258-0-10       | 2   |
| 20      | M295171476        | --  |



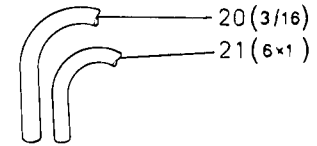
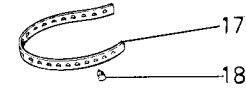
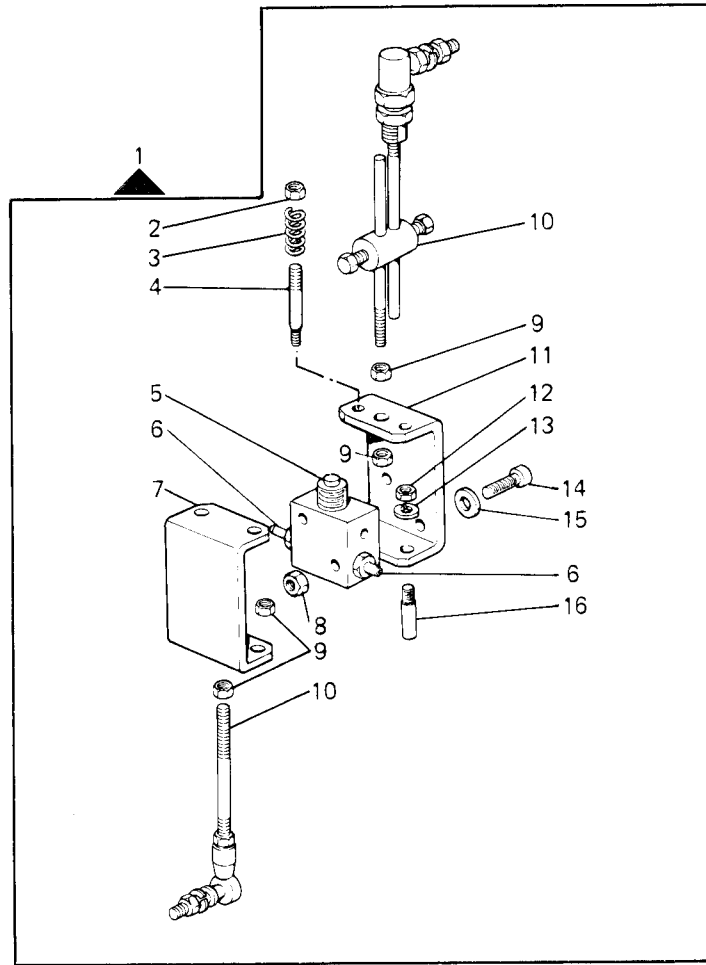
| Fig. N. | Part. N. Piece N. | Qt. |
|---------|-------------------|-----|
| 1       | 925903-4-04       | 1   |
| 2       | 922373-0-00       | 1   |
| 3       | 922368-4-03       | 2   |
| 4       | 924870-0-10       | 4   |
| 5       | 722173-2-00       | 2   |
| 6       | 704209-0-00       | 4   |
| 7       | 942787-0-00       | 1   |
| 8       | 101081-0-10       | 1   |
| 9       | 922320-0-00       | 1   |
| 10      | 746204-2-00       | 7   |
| 11      | 929239-0-00       | 1   |
| 12      | 720504-2-00       | 1   |
| 13      | 733505-2-00       | 2   |
| 14      | 922366-0-00       | 1   |
| 15      | 922370-2-00       | 1   |
| 16      | 926729-0-00       | 4   |
| 17      | 703203-0-00       | 4   |
| 18      | 922374-0-00       | 3   |
| 19      | 990441-0-10       | 4   |
| 20      | 990442-0-10       | 4   |
| 21      | 920258-0-10       | 6   |
| 22      | 923342-0-10       | 1   |
| 23      | M488972020        | --  |
| 24      | M295171476        | --  |



| Fig. N. | Part. N. Piece N. | Qt. |
|---------|-------------------|-----|
| 1       | 922386-4-02       | 1   |
| 2       | 942787-0-00       | 1   |
| 3       | 101181-0-10       | 1   |
| 4       | 922320-0-00       | 1   |
| 5       | 922368-4-03       | 1   |
| 6       | 924870-0-10       | 2   |
| 7       | 922370;2-00       | 1   |
| 8       | 733505-2-00       | 2   |
| 9       | 746204-2-00       | 4   |
| 10      | 922387-0-00       | 1   |
| 11      | 922373-0-00       | 1   |
| 12      | 746002-2-00       | 4   |
| 13      | 703203-0-00       | 4   |
| 14      | 721086-2-00       | 2   |
| 15      | 704306-2-00       | 2   |
| 16      | 922374-0-00       | 3   |
| 17      | 990441-0-10       | 1   |
| 18      | 990442-0-10       | 1   |
| 19      | 920258-0-10       | 2   |
| 20      | M295171476        | --  |



| Fig. N. | Part. N. Piece N. | Qt. |
|---------|-------------------|-----|
| 1       | 927538-4-03       | 1   |
| 2       | 922373-0-00       | 1   |
| 3       | 922368-4-03       | 1   |
| 4       | 924870-0-10       | 2   |
| 5       | 722173-2-00       | 2   |
| 6       | 704209-0-00       | 4   |
| 7       | 942787-0-00       | 1   |
| 8       | 101181-0-10       | 1   |
| 9       | 922320-0-00       | 1   |
| 10      | 746204-2-00       | 7   |
| 11      | 929239-0-00       | 1   |
| 12      | 720484-2-00       | 1   |
| 13      | 926729-0-00       | 2   |
| 14      | 926303-0-00       | 2   |
| 15      | 928981-4-02       | 1   |
| 16      | 922366-0-00       | 1   |
| 17      | 922370-2-00       | 1   |
| 18      | 746002-2-00       | 4   |
| 19      | 703203-0-00       | 4   |
| 20      | 922374-0-00       | 3   |
| 21      | 990441-0-10       | 4   |
| 22      | 990442-0-10       | 4   |
| 23      | 920258-0-10       | 8   |
| 24      | M295171476        | --  |
| 25      | M295779610        | --  |

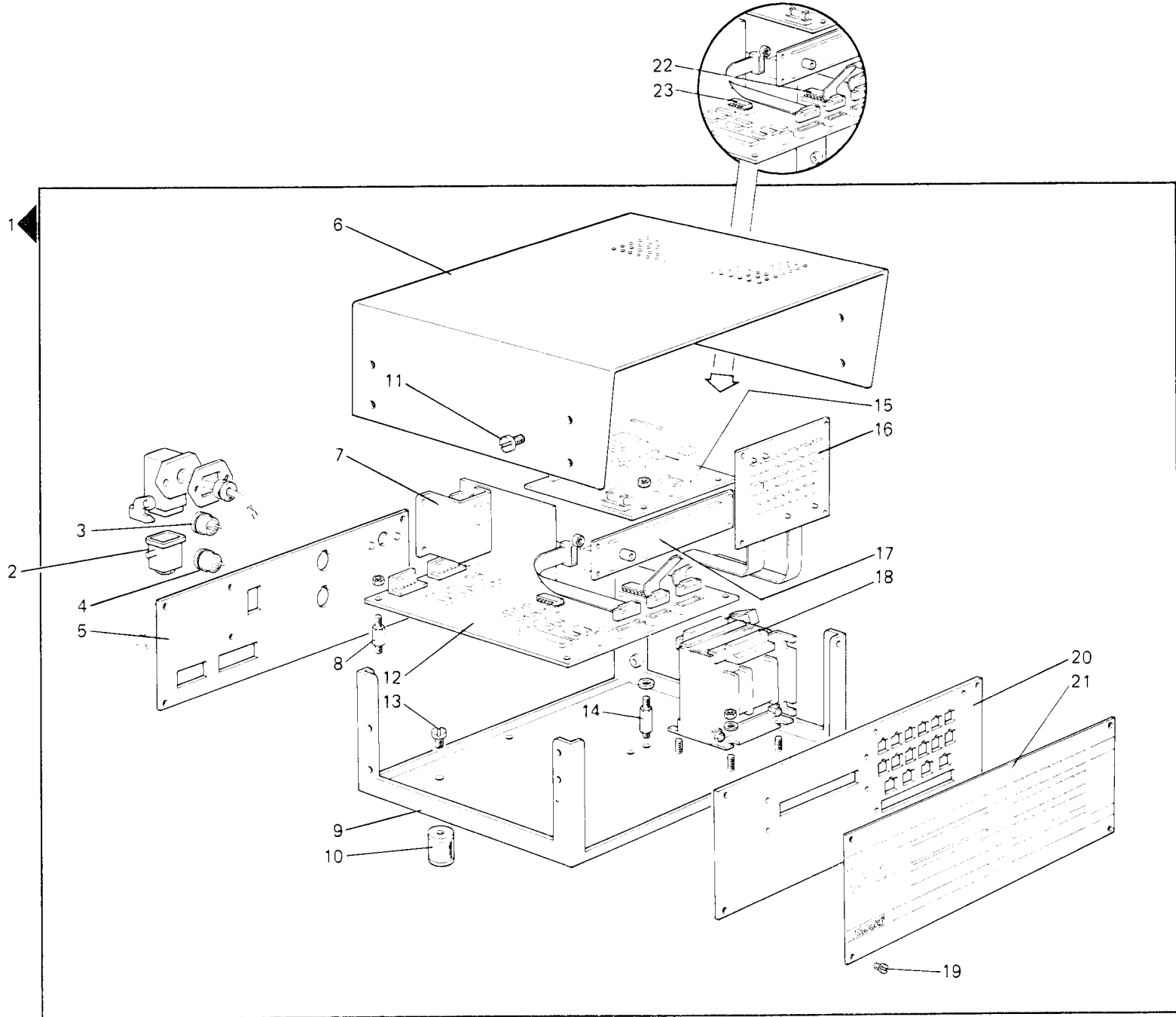


| Fig. N. | Part. N. Piece N. | Qt. |
|---------|-------------------|-----|
| 1       | 928982-4-03       | 1   |
| 2       | 942787-0-00       | 1   |
| 3       | 101181-0-10       | 1   |
| 4       | 922320-0-00       | 1   |
| 5       | 922367-0-03       | 1   |
| 6       | 926303-0-00       | 2   |
| 7       | 922370-2-00       | 1   |
| 8       | 733505-2-00       | 2   |
| 9       | 746204-2-00       | 4   |
| 10      | 922366-0-00       | 1   |
| 11      | 922373-0-00       | 1   |
| 12      | 926729-0-00       | 4   |
| 13      | 703203-0-00       | 4   |
| 14      | 721086-2-00       | 2   |
| 15      | 704306-2-00       | 2   |
| 16      | 922374-0-00       | 3   |
| 17      | 990441-0-10       | 2   |
| 18      | 990442-0-10       | 2   |
| 19      | 920258-0-10       | 2   |
| 20      | M295171476        | --  |
| 21      | M295779610        | --  |

WFS-6D-006-A0-0

Rim®

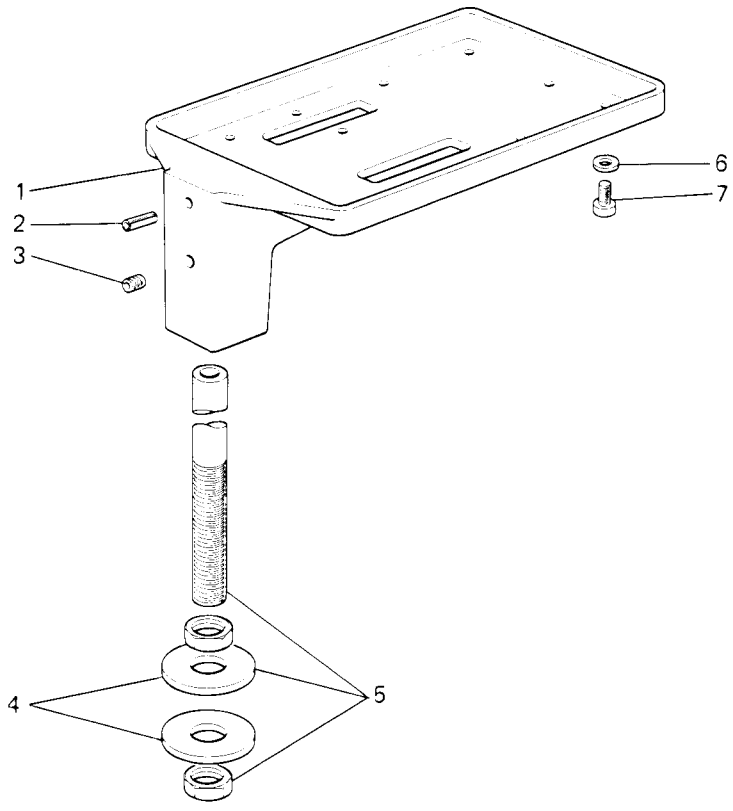
1



| Fig. N. | Part. N. / Piece N. | Qt. |
|---------|---------------------|-----|
| 1       | 801040-4-00         | 1   |
| 2       | 800950-4-00         | 1   |
| 3       | 801034-4-00         | 1   |
| 4       | 801035-4-00         | 1   |
| 5       | 801042-2-00         | 1   |
| 6       | 801043-0-00         | 1   |
| 7       | 801022-4-00         | 1   |
| 8       | 736403-0-00         | 6   |
| 9       | 801044-2-00         | 1   |
| 10      | 929853-0-00         | 4   |
| 11      | 742039-2-00         | 8   |
| 12      | 801024-4-00         | 1   |
| 13      | 722413-2-00         | 4   |
| 14      | 736408-0-00         | 4   |
| 15      | 801023-4-00         | 1   |
| 16      | 801021-4-00         | 1   |
| 17      | 801020-4-00         | 1   |
| 18      | 801037-4-00         | 1   |
| 19      | 741526-2-00         | 10  |
| 20      | 801041-2-00         | 1   |
| 21      | 800968-0-00         | 1   |
| 22      | 800997-0-22         | 1   |
| 23      | 800972-0-10         | 1   |

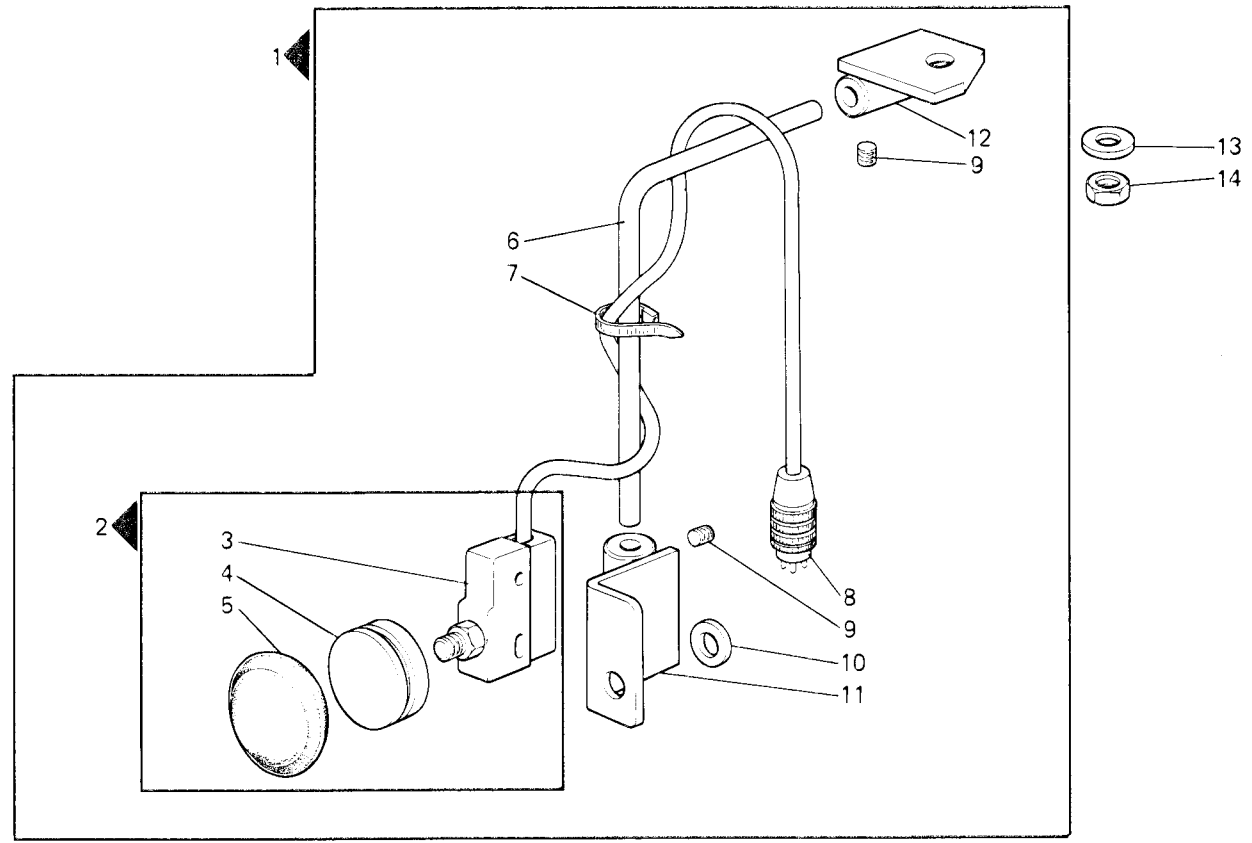
SEGUE  
FOLLOWS





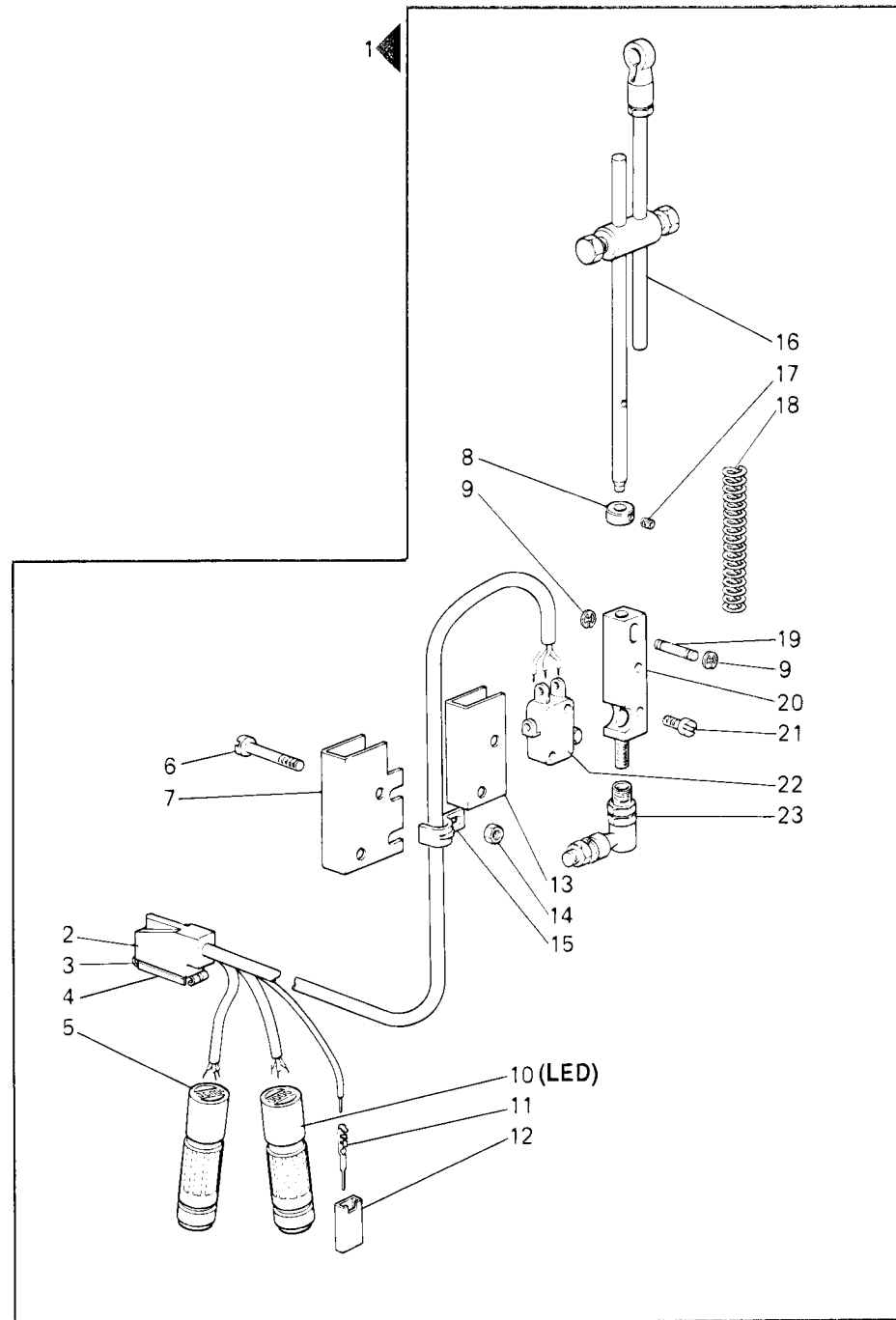
| Fig. N. | Part. N. Piece N. | Qt. |
|---------|-------------------|-----|
| 1       | 800840-2-00       | 1   |
| 2       | 707518-0-00       | 1   |
| 3       | 729035-2-00       | 1   |
| 4       | 801046-0-00       | 2   |
| 5       | 801045-2-00       | 1   |
| 6       | 704424-2-00       | 4   |
| 7       | 722423-2-00       | 4   |

SEGUE  
FOLLOWS



| Fig. N. | Part. N. Piece N. | Qt. |
|---------|-------------------|-----|
| 1       | 923672-4-00       | 1   |
| 2       | 920472-4-00       | 1   |
| 3       | 920474-0-00       | 1   |
| 4       | 920473-0-00       | 1   |
| 5       | 920492-0-00       | 1   |
| 6       | 920490-0-10       | 1   |
| 7       | 920258-0-10       | 1   |
| 8       | 923691-0-00       | 1   |
| 9       | 729034-2-00       | 4   |
| 10      | 705975-0-00       | 1   |
| 11      | 920488-2-11       | 1   |
| 12      | 920485-2-10       | 1   |
| 13      | 703212-0-00       | 1   |
| 14      | 733008-2-00       | 2   |

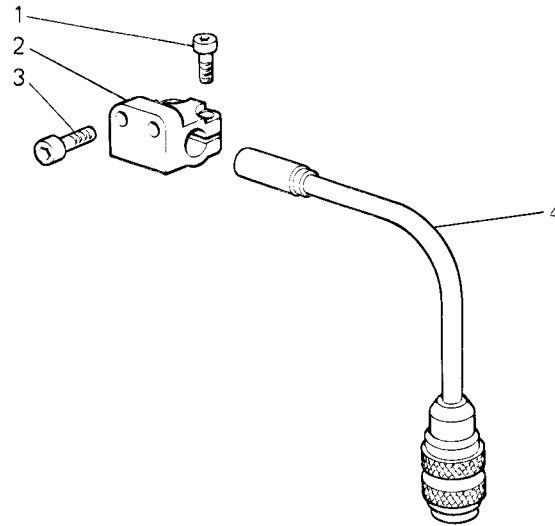
SEGUE  
FOLLOWS



| Fig. N. | Part. N. Piece N. | Qt. |
|---------|-------------------|-----|
| 1       | 801032-4-00       | 1   |
| 2       | 800273-0-00       | 1   |
| 3       | 800276-0-00       | 1   |
| 4       | 800279-0-00       | 1   |
| 5       | 801081-0-00       | 1   |
| 6       | 721065-2-00       | 2   |
| 7       | 926112-0-00       | 1   |
| 8       | 924795-0-10       | 1   |
| 9       | 700205-0-00       | 2   |
| 10      | 801083-0-00       | 1   |
| 11      | 932034-0-00       | 2   |
| 12      | 932036-0-00       | 1   |
| 13      | 926114-0-00       | 1   |
| 14      | 746002-2-00       | 2   |
| 15      | 923277-0-10       | 1   |
| 16      | 929888-0-10       | 1   |
| 17      | 729012-2-00       | 2   |
| 18      | 302119-0-10       | 1   |
| 19      | 926113-0-00       | 1   |
| 20      | 926111-0-00       | 1   |
| 21      | 741630-2-00       | 3   |
| 22      | 921076-0-10       | 1   |
| 23      | 900941-0-00       | 1   |

SEQUE  
FOLLOWS

5

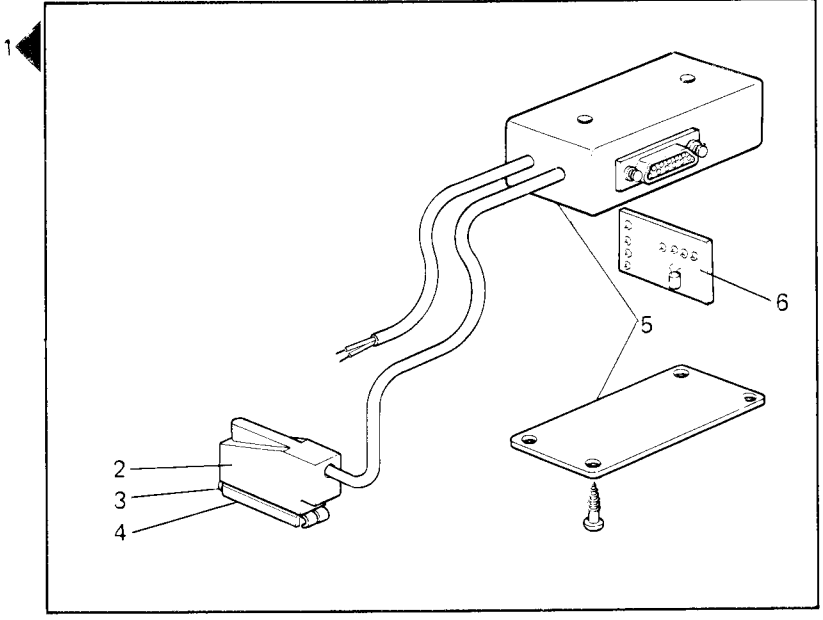


| Fig. N. | Part. N. Piece N. | Qt. |
|---------|-------------------|-----|
| 1       | 722410-2-00       | 2   |
| 2       | 946075-0-00       | 1   |
| 3       | 744922-2-00       | 2   |
| 4       | 801029-4-00       | 1   |

SEGUE  
FOLLOWS

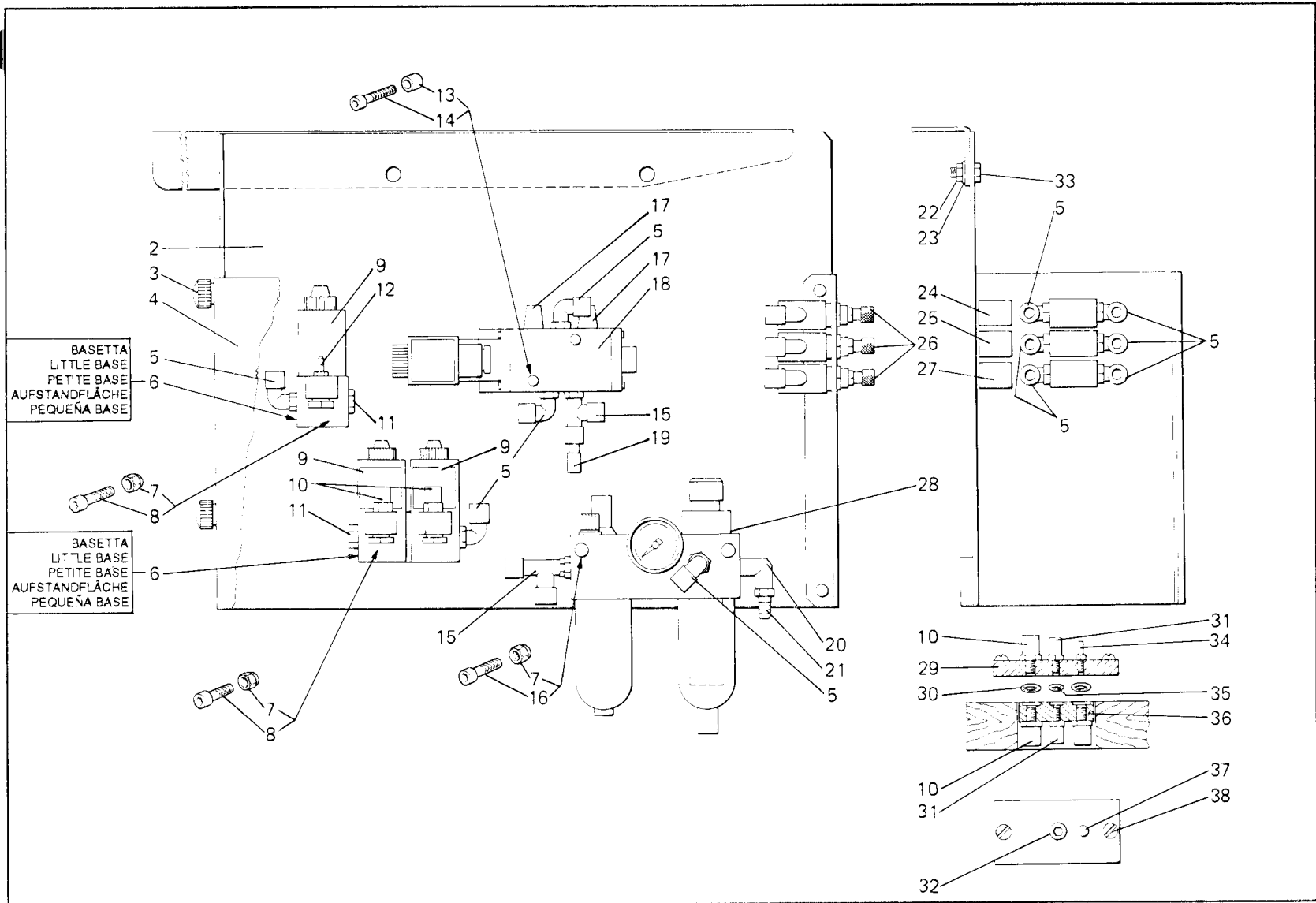
A RICHIESTA PER - ON REQUEST FOR - SUR DEMANDE POUR - AUF ANFRAGE FUER - CON SOLICITUD PARA WFS-6D-006-A0-0

6



SOSTITUISCE 800977-0-11  
 REPLACE 800977-0-11  
 REMPLACE 800977-0-11  
 ERSETZT 800977-0-11  
 REPLAZA 800977-0-11

| Fig. N. | Part. N. Piece N. | Qt. |
|---------|-------------------|-----|
| 1       | 801048-4-00       | 1   |
| 2       | 800273-0-00       | 1   |
| 3       | 800276-0-00       | 1   |
| 4       | 800279-0-00       | 1   |
| 5       | 801050-0-00       | 1   |
| 6       | 801026-4-00       | 1   |
| 7       | 801001-0-00       | 1   |

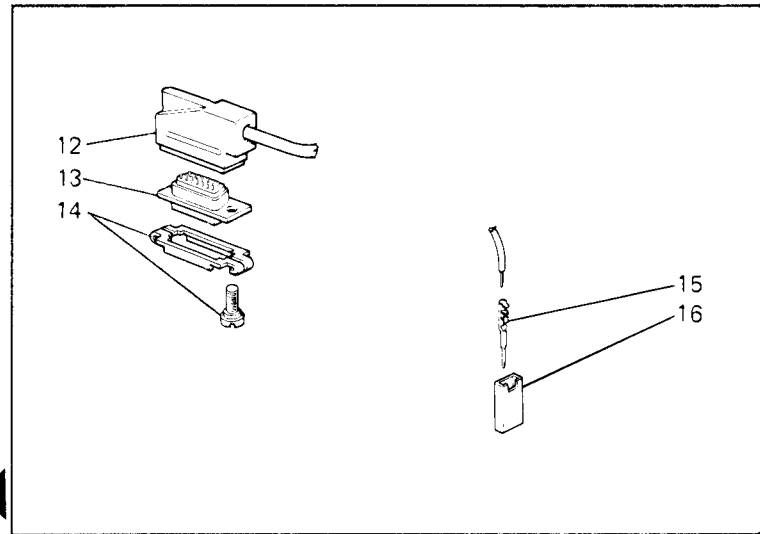
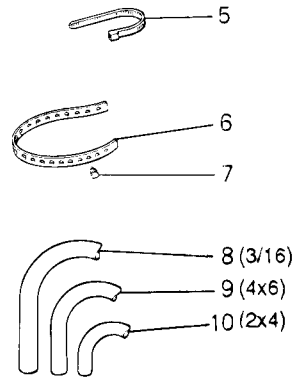
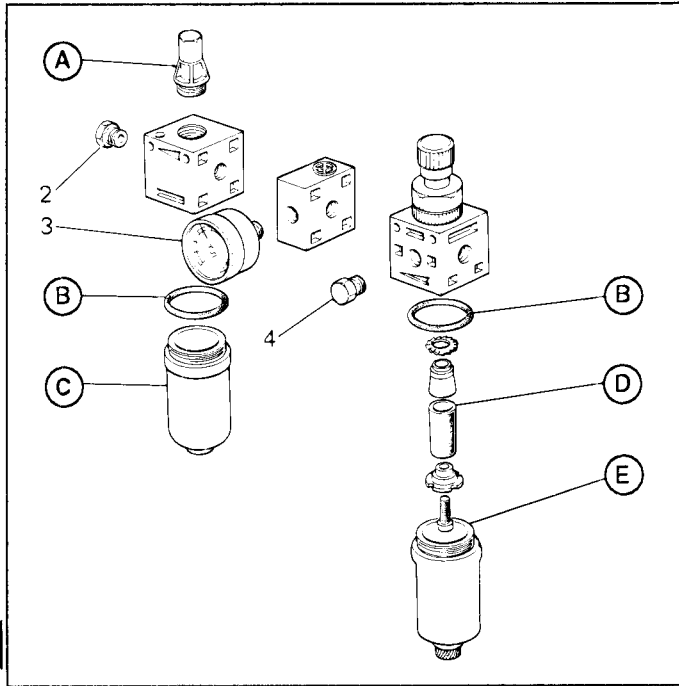


| Fig. N. | Part. N. Piece N. | Qt. |
|---------|-------------------|-----|
| 1       | 932629-4-00       | 1   |
| 2       | 932554-0-00       | 1   |
| 3       | 941365-0-00       | 4   |
| 4       | 932555-0-00       | 1   |
| 5       | 941511-4-00       | 11  |
| 6       | 942981-4-10       | 3   |
| 7       | 734001-2-00       | 4   |
| 8       | 722481-2-00       | 4   |
| 9       | 940421-4-01       | 3   |
| 10      | 941503-4-00       | 8   |
| 11      | 925779-0-00       | 2   |
| 12      | 924870-0-10       | 1   |
| 13      | 930204-0-00       | 2   |
| 14      | 722511-2-00       | 2   |
| 15      | 941524-4-00       | 2   |
| 16      | 722521-2-00       | 2   |
| 17      | 924851-0-10       | 2   |
| 18      | 929299-4-11       | 1   |
| 19      | 941565-4-00       | 1   |
| 20      | 932787-0-00       | 1   |
| 21      | 922775-0-00       | 1   |
| 22      | 733510-2-00       | 2   |
| 23      | 704011-4-00       | 2   |
| 24      | 931936-0-00       | 1   |
| 25      | 931937-0-00       | 1   |
| 26      | 923800-0-00       | 3   |
| 27      | 902567-0-00       | 1   |
| 28      | 932621-4-00       | 1   |
| 29      | 932627-0-00       | 1   |
| 30      | 701009-0-00       | 4   |
| 31      | 941500-4-00       | 2   |
| 32      | 722463-2-00       | 1   |
| 33      | 720505-2-00       | 2   |
| 34      | 927655-0-00       | 2   |
| 35      | 701003-0-00       | 1   |
| 36      | 932563-0-00       | 1   |
| 37      | 707298-0-00       | 1   |
| 38      | 731086-2-00       | 2   |

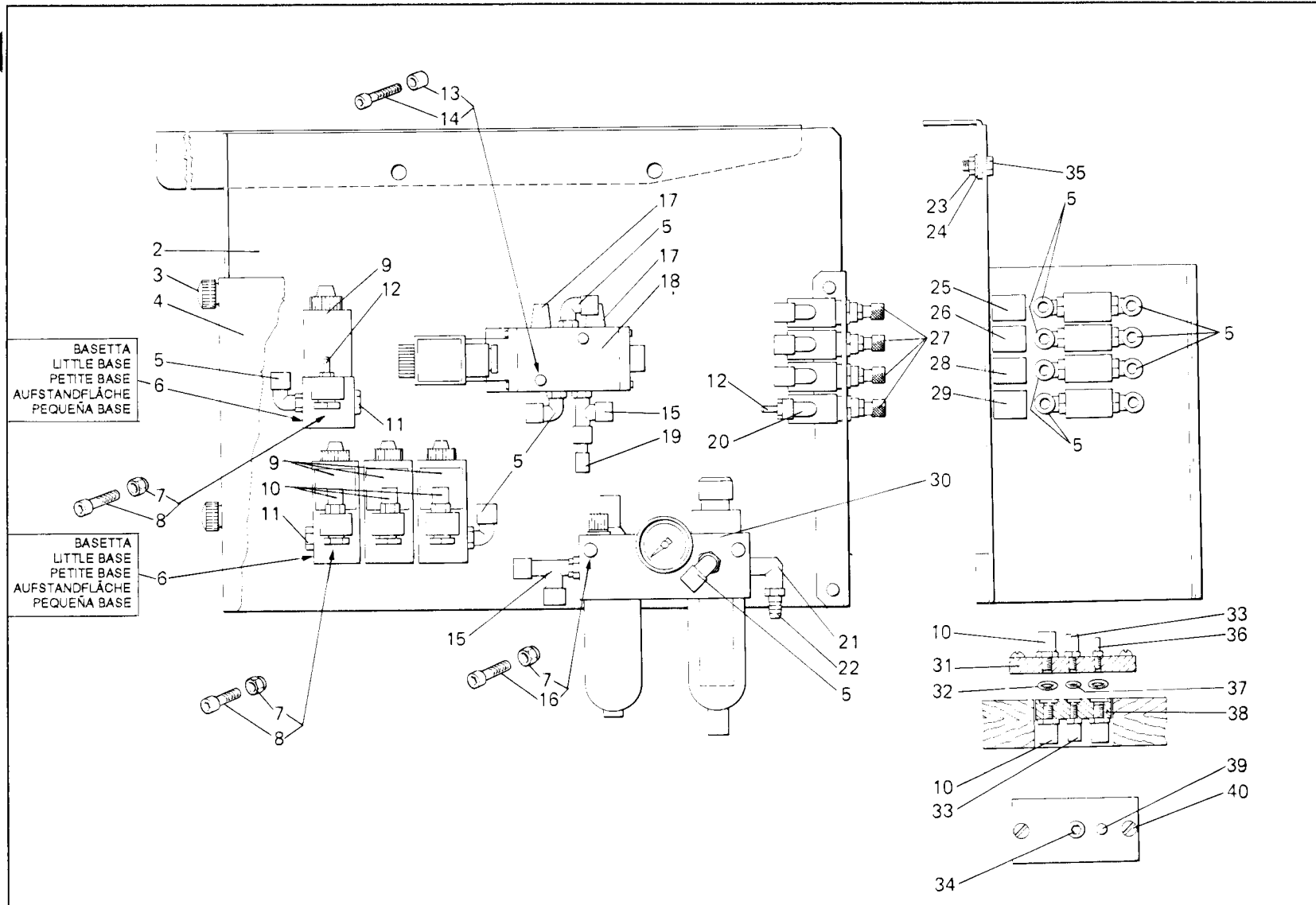
SEGUE  
FOLLOWS

2

|  | A           | B           | C           | D           | E           |
|--|-------------|-------------|-------------|-------------|-------------|
| F.R.L. METALWORK<br>COLORE ARANCIO - ORANGE COLOUR - COLEUR ORANGE - ORANGEFARBE - COLOR NARANJA | 924245-4-00 | 924233-0-00 | 924244-4-00 | 924238-0-00 | 924239-4-00 |
| F.R.L. STAMPOTECNICA<br>COLORE NERO - BLACK COLOUR - COLEUR NOIRE - SCHWARZFARBE - COLOR NEGRO   | 925199-4-00 | 701133-0-00 | 925198-4-00 | 925196-0-00 | 925197-4-00 |



| Fig. N. | Part. N. Piece N. | Qt. |
|---------|-------------------|-----|
| 1       | 932621-4-00       | 1   |
| 2       | 943202-0-00       | 1   |
| 3       | 922846-4-00       | 1   |
| 4       | 925779-0-00       | 1   |
| 5       | 920258-0-10       | 15  |
| 6       | M880150109        | --- |
| 7       | 990442-0-10       | 5   |
| 8       | M295171476        | --- |
| 9       | M295779610        | --- |
| 10      | M295779410        | --- |
| 11      | 801025-4-10       | 1   |
| 12      | 800272-0-00       | 1   |
| 13      | 800278-0-00       | 1   |
| 14      | 800275-0-00       | 1   |
| 15      | 931221-0-00       | 2   |
| 16      | 931220-0-00       | 1   |



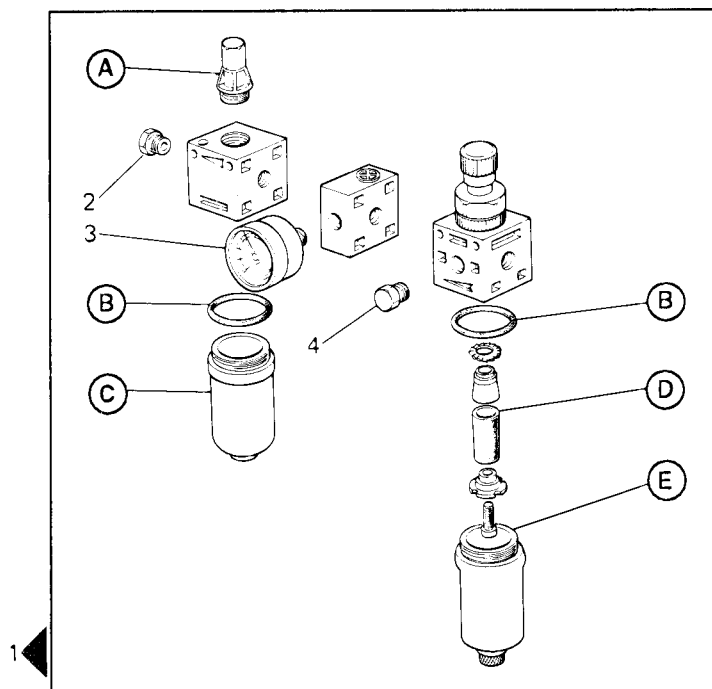
| Fig. N. | Part. N. Piece N. | Qt. |
|---------|-------------------|-----|
| 1       | 932658-4-00       | 1   |
| 2       | 932554-0-00       | 1   |
| 3       | 941365-0-00       | 4   |
| 4       | 932555-0-00       | 1   |
| 5       | 941511-4-00       | 12  |
| 6       | 942981-4-10       | 4   |
| 7       | 734001-2-00       | 4   |
| 8       | 722481-2-00       | 5   |
| 9       | 940421-4-01       | 4   |
| 10      | 941503-4-00       | 9   |
| 11      | 925779-0-00       | 2   |
| 12      | 924870-0-10       | 2   |
| 13      | 930204-0-00       | 2   |
| 14      | 722511-2-00       | 2   |
| 15      | 941524-4-00       | 2   |
| 16      | 722521-2-00       | 2   |
| 17      | 924851-0-10       | 2   |
| 18      | 929299-4-11       | 1   |
| 19      | 941565-4-00       | 1   |
| 20      | 923803-0-00       | 1   |
| 21      | 932787-0-00       | 1   |
| 22      | 922775-0-00       | 1   |
| 23      | 733510-2-00       | 2   |
| 24      | 704011-4-00       | 2   |
| 25      | 931936-0-00       | 1   |
| 26      | 931937-0-00       | 1   |
| 27      | 923800-0-00       | 4   |
| 28      | 902567-0-00       | 1   |
| 29      | 932682-0-00       | 1   |
| 30      | 932621-4-00       | 1   |
| 31      | 932627-0-00       | 1   |
| 32      | 701009-0-00       | 4   |
| 33      | 941500-4-00       | 2   |
| 34      | 722463-2-00       | 1   |
| 35      | 720505-2-00       | 2   |
| 36      | 927655-0-00       | 2   |
| 37      | 701003-0-00       | 1   |
| 38      | 932563-0-00       | 1   |
| 39      | 707298-0-00       | 1   |
| 40      | 731086-2-00       | 2   |

SEGUE  
FOLLOWS

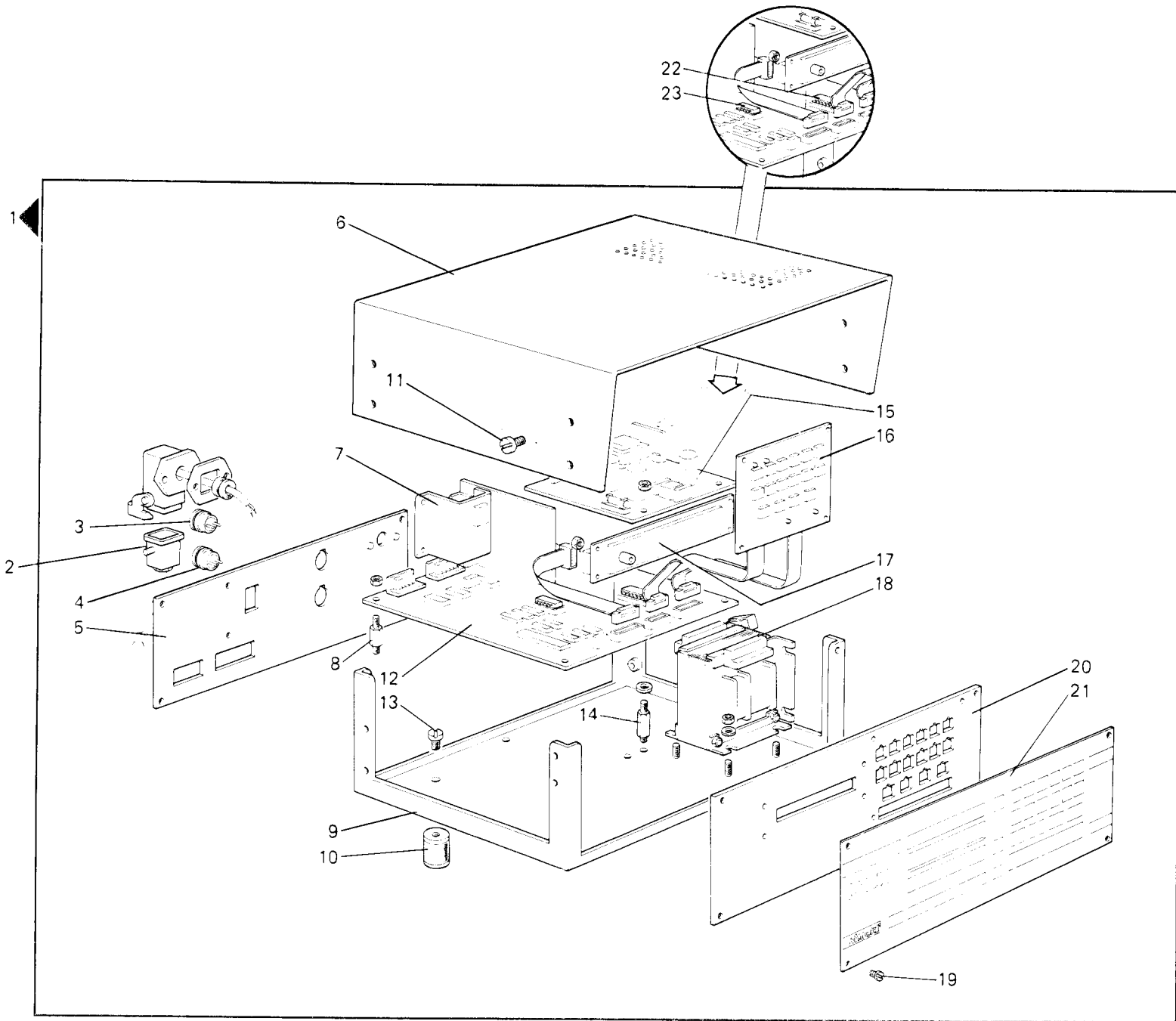


|  | A           | B           | C           | D           | E           |
|--|-------------|-------------|-------------|-------------|-------------|
| F.R.L. METALWORK<br>COLORE ARANCIO - ORANGE COLOUR - COLEUR ORANGE - ORANGEFARBE - COLOR NARANJA | 924245-4-00 | 924233-0-00 | 924244-4-00 | 924238-0-00 | 924239-4-00 |
| F.R.L. STAMPOTECNICA<br>COLORE NERO - BLACK COLOUR - COLEUR NOIRE - SCHWARZFARBE - COLOR NEGRO   | 925199-4-00 | 701133-0-00 | 925198-4-00 | 925196-0-00 | 925197-4-00 |

| Fig. N. | Part. N.<br>Piece N. | Qt. |
|---------|----------------------|-----|
| 1       | 932621-4-00          | 1   |
| 2       | 943202-0-00          | 1   |
| 3       | 922846-4-00          | 1   |
| 4       | 925779-0-00          | 1   |



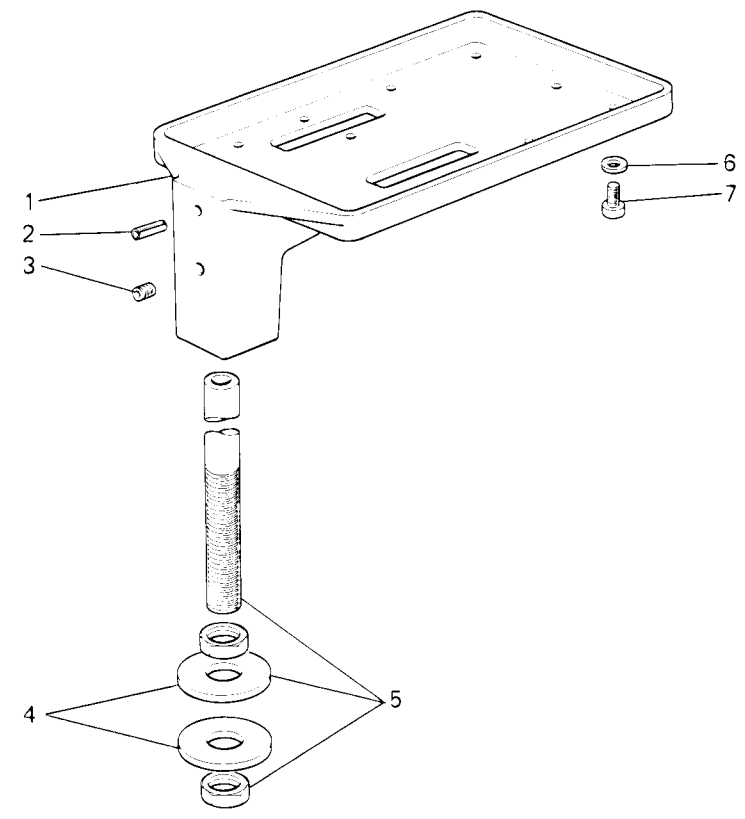
1



| Fig. N. | Part. N. Piece N. | Qt. |
|---------|-------------------|-----|
| 1       | 801040-4-00       | 1   |
| 2       | 800950-4-00       | 1   |
| 3       | 801034-4-00       | 1   |
| 4       | 801035-4-00       | 1   |
| 5       | 801042-2-00       | 1   |
| 6       | 801043-0-00       | 1   |
| 7       | 801022-4-00       | 1   |
| 8       | 736403-0-00       | 6   |
| 9       | 801044-2-00       | 1   |
| 10      | 929853-0-00       | 4   |
| 11      | 742039-2-00       | 8   |
| 12      | 801024-4-00       | 1   |
| 13      | 722413-2-00       | 4   |
| 14      | 736408-0-00       | 4   |
| 15      | 801023-4-00       | 1   |
| 16      | 801021-4-00       | 1   |
| 17      | 801020-4-00       | 1   |
| 18      | 801037-4-00       | 1   |
| 19      | 741526-2-00       | 10  |
| 20      | 801041-2-00       | 1   |
| 21      | 800968-0-00       | 1   |
| 22      | 800997-0-30       | 1   |
| 23      | 800972-0-10       | 1   |

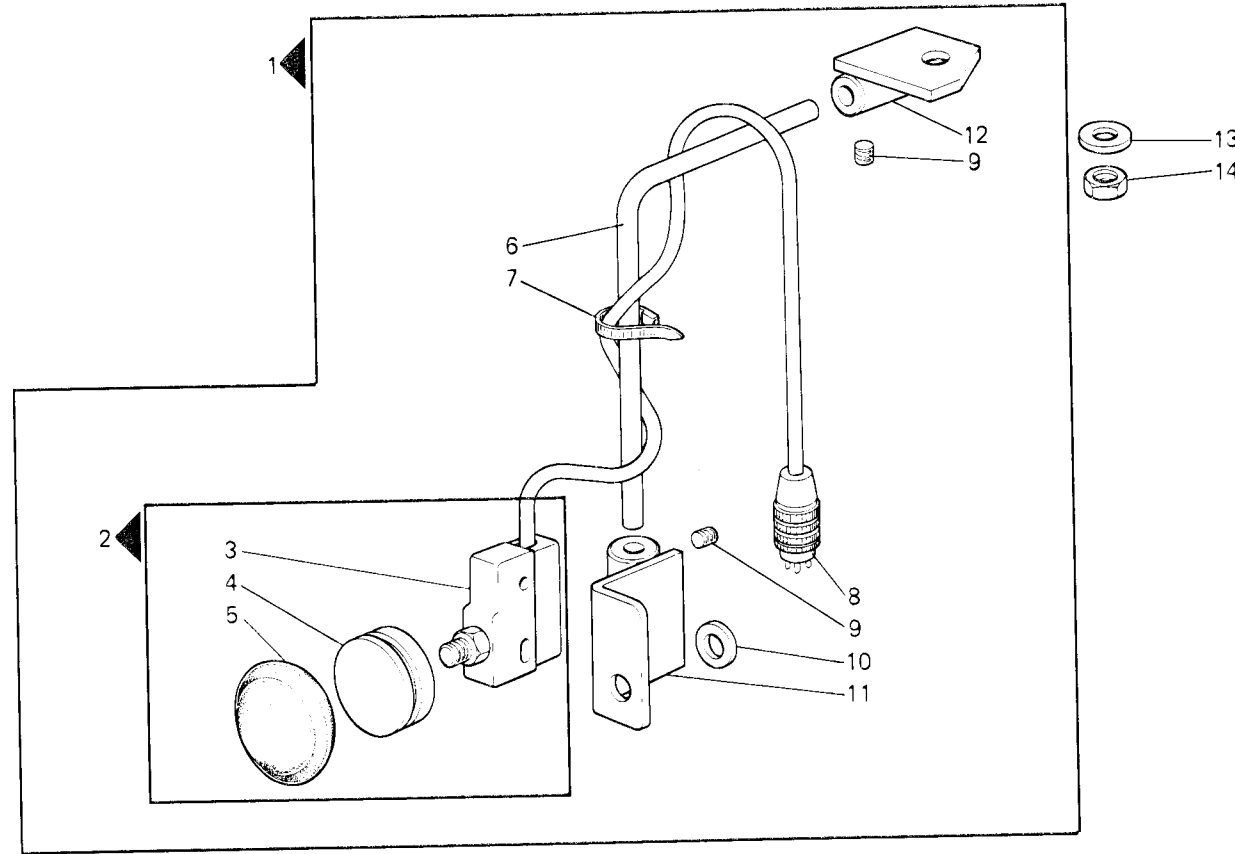
SEGUE  
FOLLOWS

2



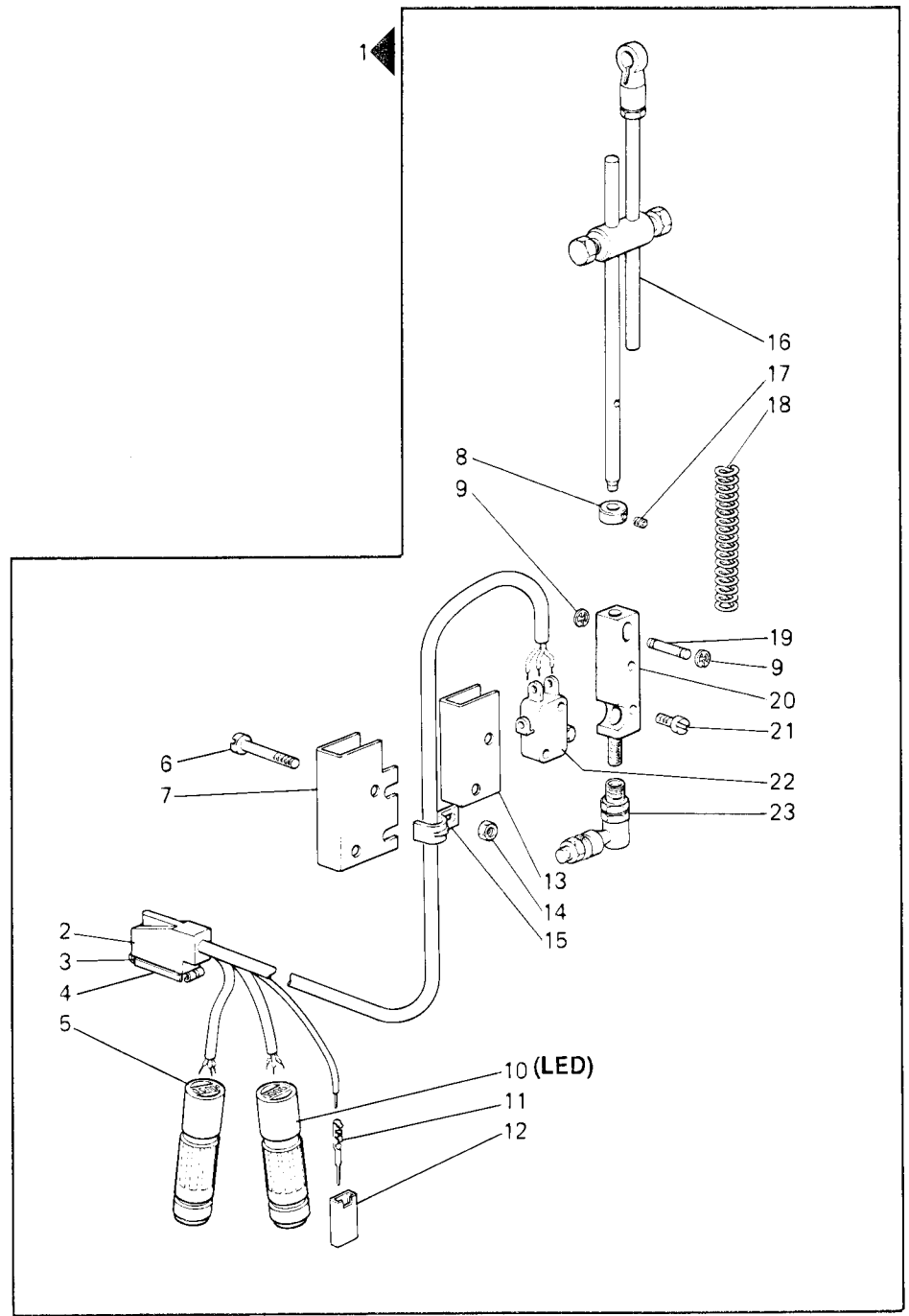
| Fig. N. | Part. N. Piece N. | Qt. |
|---------|-------------------|-----|
| 1       | 800840-2-00       | 1   |
| 2       | 707518-0-00       | 1   |
| 3       | 729035-2-00       | 1   |
| 4       | 801046-0-00       | 2   |
| 5       | 801045-2-00       | 1   |
| 6       | 704424-2-00       | 4   |
| 7       | 722423-2-00       | 4   |

SEGUE  
FOLLOWS



| Fig. N. | Part. N. Piece N. | Qt. |
|---------|-------------------|-----|
| 1       | 923672-4-00       | 1   |
| 2       | 920472-4-00       | 1   |
| 3       | 920474-0-00       | 1   |
| 4       | 920473-0-00       | 1   |
| 5       | 920492-0-00       | 1   |
| 6       | 920490-0-10       | 1   |
| 7       | 920258-0-10       | 1   |
| 8       | 923691-0-00       | 1   |
| 9       | 729034-2-00       | 4   |
| 10      | 705975-0-00       | 1   |
| 11      | 920488-2-11       | 1   |
| 12      | 920485-2-10       | 1   |
| 13      | 703212-0-00       | 1   |
| 14      | 733008-2-00       | 2   |

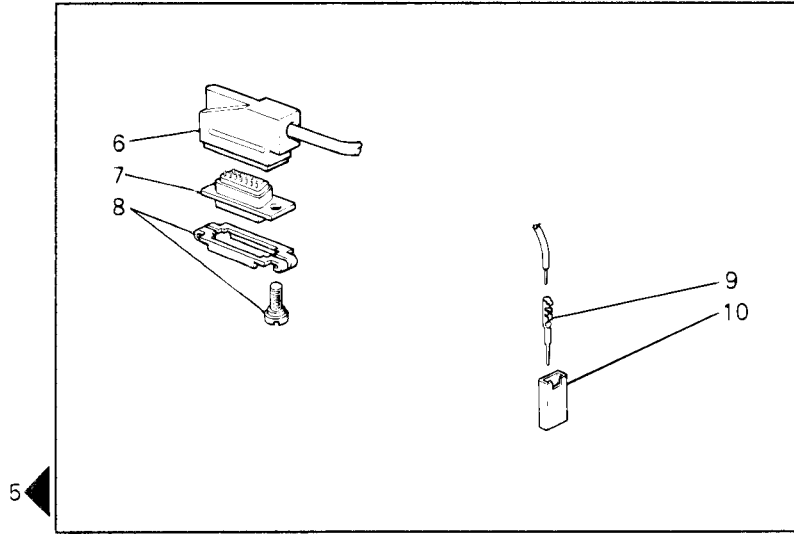
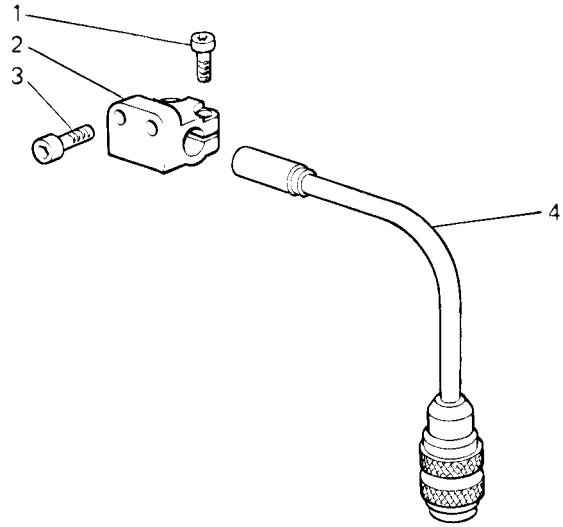
SEGUE  
FOLLOWS



| Fig. N. | Part. N. Piece N. | Qt. |
|---------|-------------------|-----|
| 1       | 801032-4-00       | 1   |
| 2       | 800273-0-00       | 1   |
| 3       | 800276-0-00       | 1   |
| 4       | 800279-0-00       | 1   |
| 5       | 801081-0-00       | 1   |
| 6       | 721065-2-00       | 2   |
| 7       | 926112-0-00       | 1   |
| 8       | 924795-0-10       | 1   |
| 9       | 700205-0-00       | 2   |
| 10      | 801083-0-00       | 1   |
| 11      | 932034-0-00       | 2   |
| 12      | 932036-0-00       | 1   |
| 13      | 926114-0-00       | 1   |
| 14      | 746002-2-00       | 2   |
| 15      | 923277-0-10       | 1   |
| 16      | 929888-0-10       | 1   |
| 17      | 729012-2-00       | 2   |
| 18      | 302119-0-10       | 1   |
| 19      | 926113-0-00       | 1   |
| 20      | 926111-0-00       | 1   |
| 21      | 741630-2-00       | 3   |
| 22      | 921076-0-10       | 1   |
| 23      | 900941-0-00       | 1   |

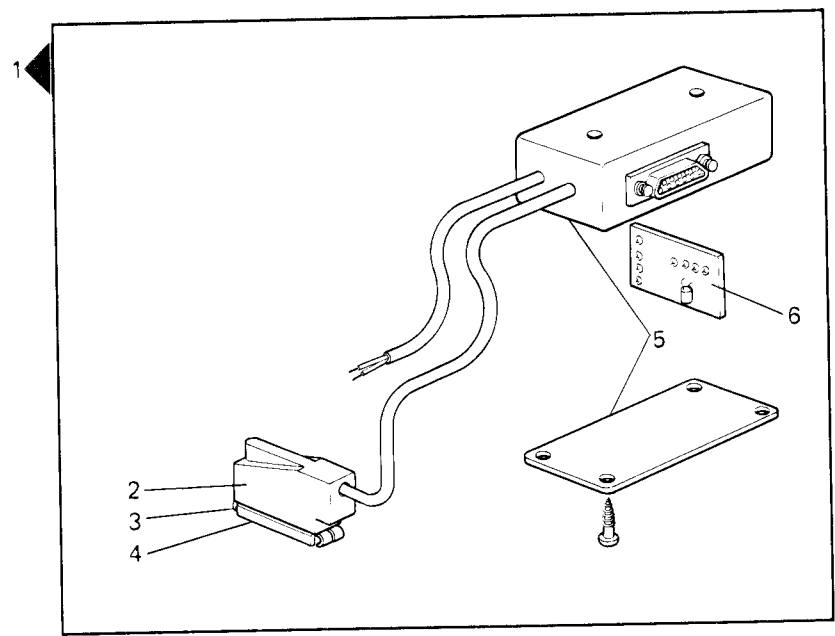
SEQUE  
FOLLOWS

5



| Fig. N. | Part. N. Piece N. | Qt. |
|---------|-------------------|-----|
| 1       | 722410-2-00       | 2   |
| 2       | 946075-0-00       | 1   |
| 3       | 744922-2-00       | 2   |
| 4       | 801029-4-00       | 1   |
| 5       | 801025-4-20       | 1   |
| 6       | 800272-0-00       | 1   |
| 7       | 800278-0-00       | 1   |
| 8       | 800275-0-00       | 1   |
| 9       | 931221-0-00       | 2   |
| 10      | 931220-0-00       | 1   |

SEQUE  
FOLLOWS

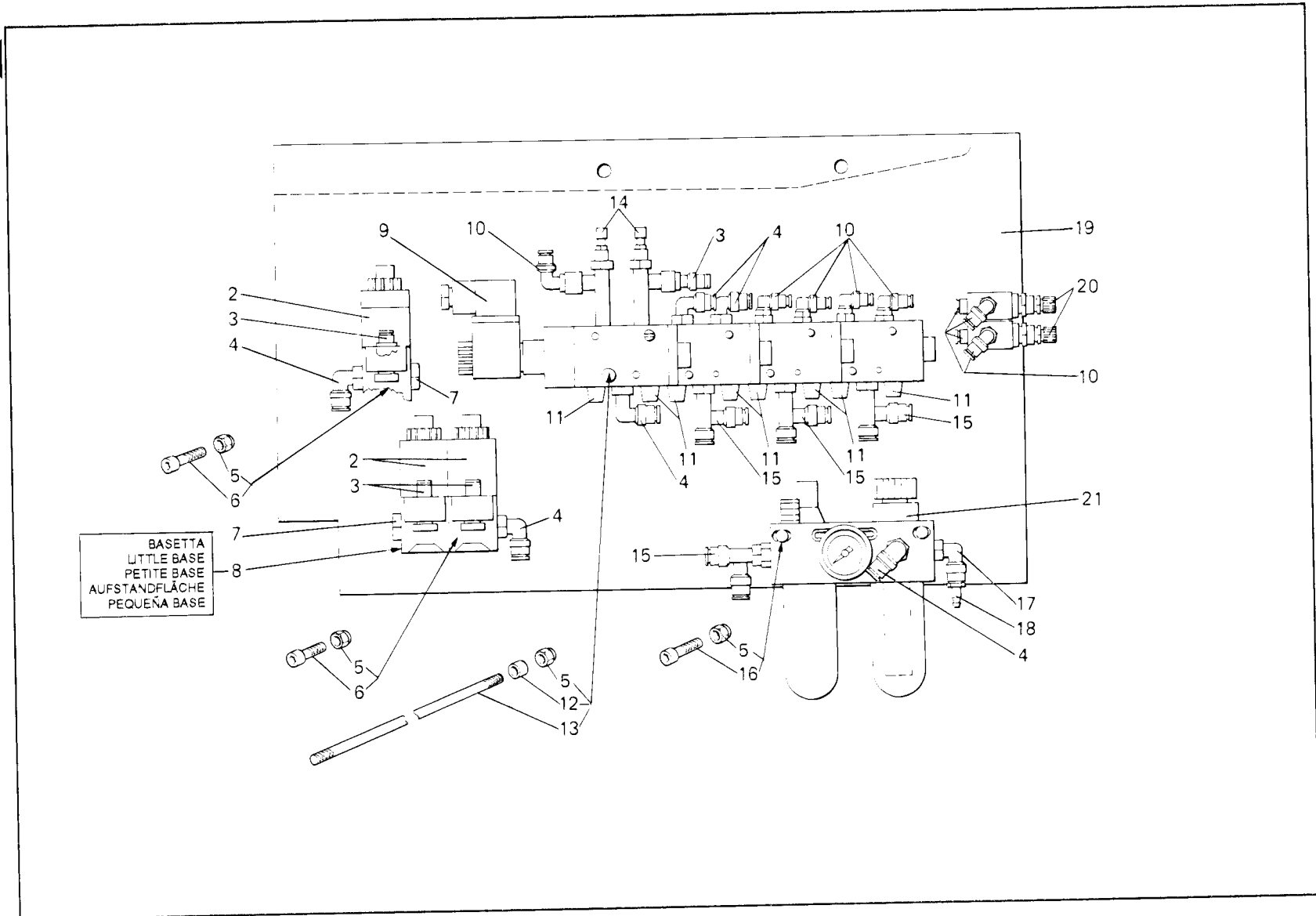


7

|             |             |
|-------------|-------------|
| SOSTITUISCE | 800977-0-30 |
| REPLACE     | 800977-0-30 |
| REPLACE     | 800977-0-30 |
| ERSETZT     | 800977-0-30 |
| REPLAZA     | 800977-0-30 |

| Fig. N. | Part. N. Piece N. | Qt. |
|---------|-------------------|-----|
| 1       | 801048-4-00       | 1   |
| 2       | 800273-0-00       | 1   |
| 3       | 800276-0-00       | 1   |
| 4       | 800279-0-00       | 1   |
| 5       | 801050-0-00       | 1   |
| 6       | 801026-4-00       | 1   |
| 7       | 801001-0-00       | 1   |

| Fig. N. | Part. N. Piece N. | Qt. |
|---------|-------------------|-----|
| 1       | 933885-4-00       | 1   |
| 2       | 940421-4-01       | 3   |
| 3       | 941502-4-00       | 4   |
| 4       | 941511-4-00       | 6   |
| 5       | 734001-2-00       | 9   |
| 6       | 722481-2-00       | 3   |
| 7       | 925779-0-00       | 2   |
| 8       | 942981-4-10       | 3   |
| 9       | 929299-4-11       | 4   |
| 10      | 941509-4-00       | 9   |
| 11      | 924851-0-10       | 8   |
| 12      | 930204-0-00       | 8   |
| 13      | 931581-0-00       | 2   |
| 14      | 932708-2-00       | 2   |
| 15      | 941524-4-00       | 4   |
| 16      | 722521-2-00       | 2   |
| 17      | 932787-0-00       | 1   |
| 18      | 922775-0-00       | 1   |
| 19      | 932554-0-00       | 1   |
| 20      | 923800-0-00       | 2   |
| 21      | 932621-4-00       | 1   |



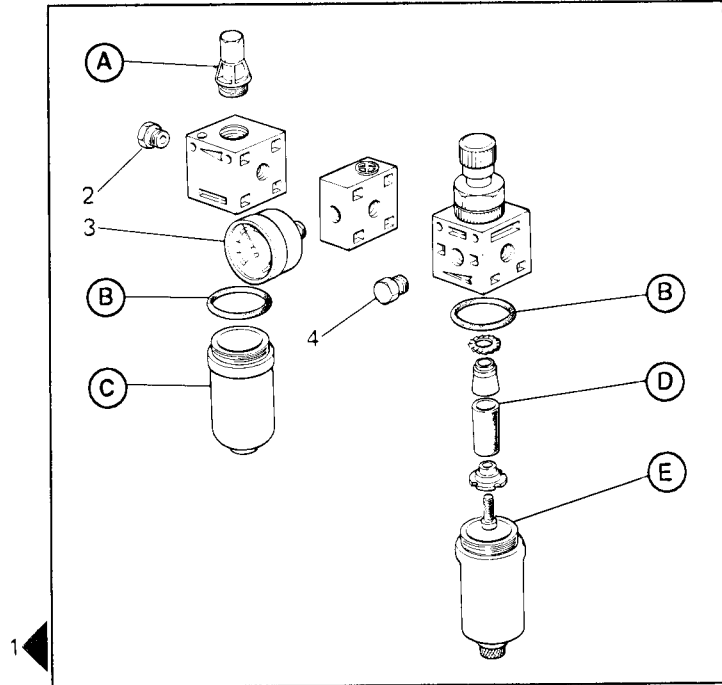
BASETTA  
LITTLE BASE  
PETITE BASE  
AUFSTANDFLÄCHE  
PEQUEÑA BASE

SEGUE  
FOLLOWS

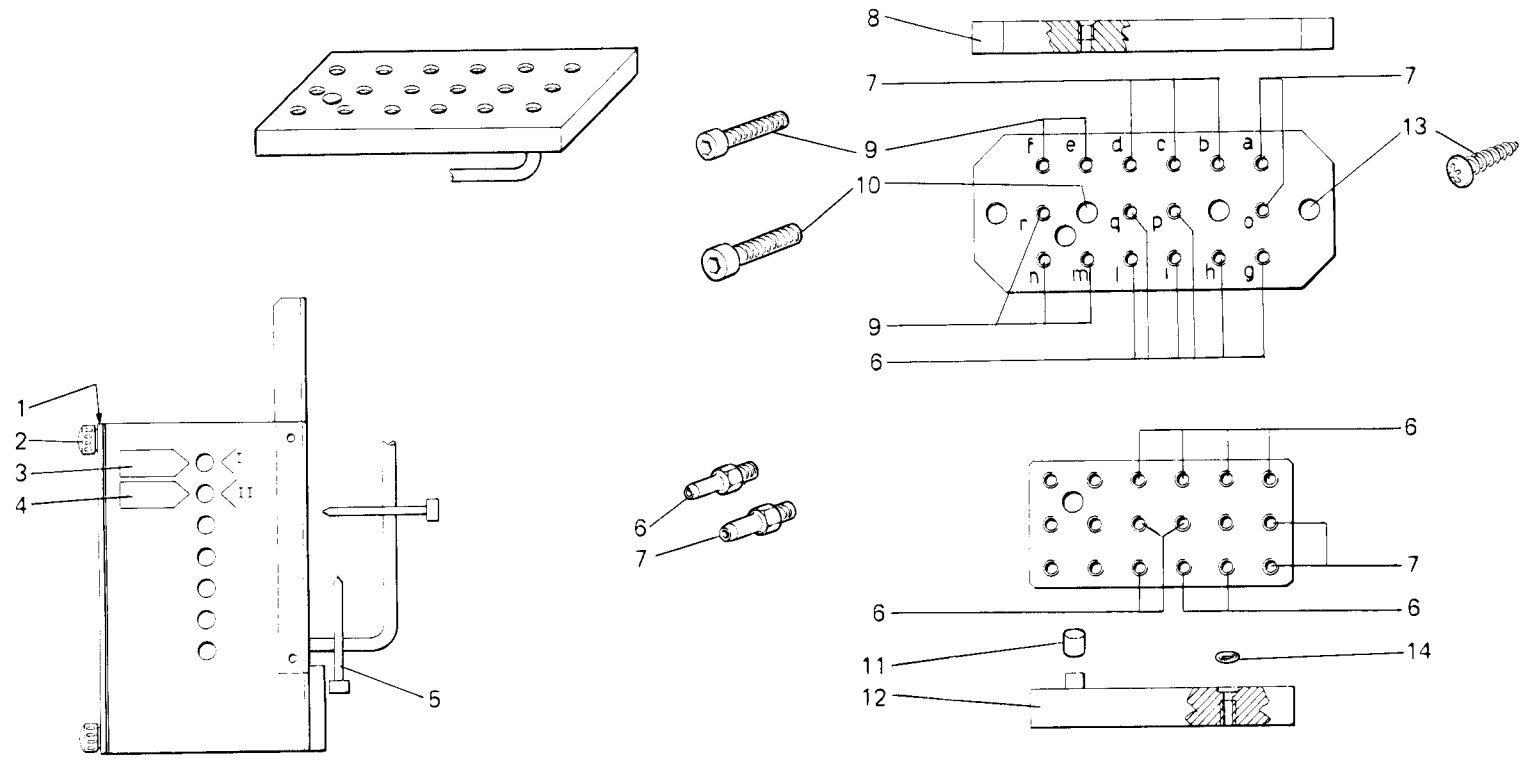


|  | A           | B           | C           | D           | E           |
|--|-------------|-------------|-------------|-------------|-------------|
| F.R.L. METALWORK<br>COLORE ARANCIO - ORANGE COLOUR - COLEUR ORANGE - ORANGEFARBE - COLOR NARANJA | 924245-4-00 | 924233-0-00 | 924244-4-00 | 924238-0-00 | 924239-4-00 |
| F.R.L. STAMPOTECNICA<br>COLORE NERO - BLACK COLOUR - COLEUR NOIRE - SCHWARZFARBE - COLOR NEGRO   | 925199-4-00 | 701133-0-00 | 925198-4-00 | 925196-0-00 | 925197-4-00 |

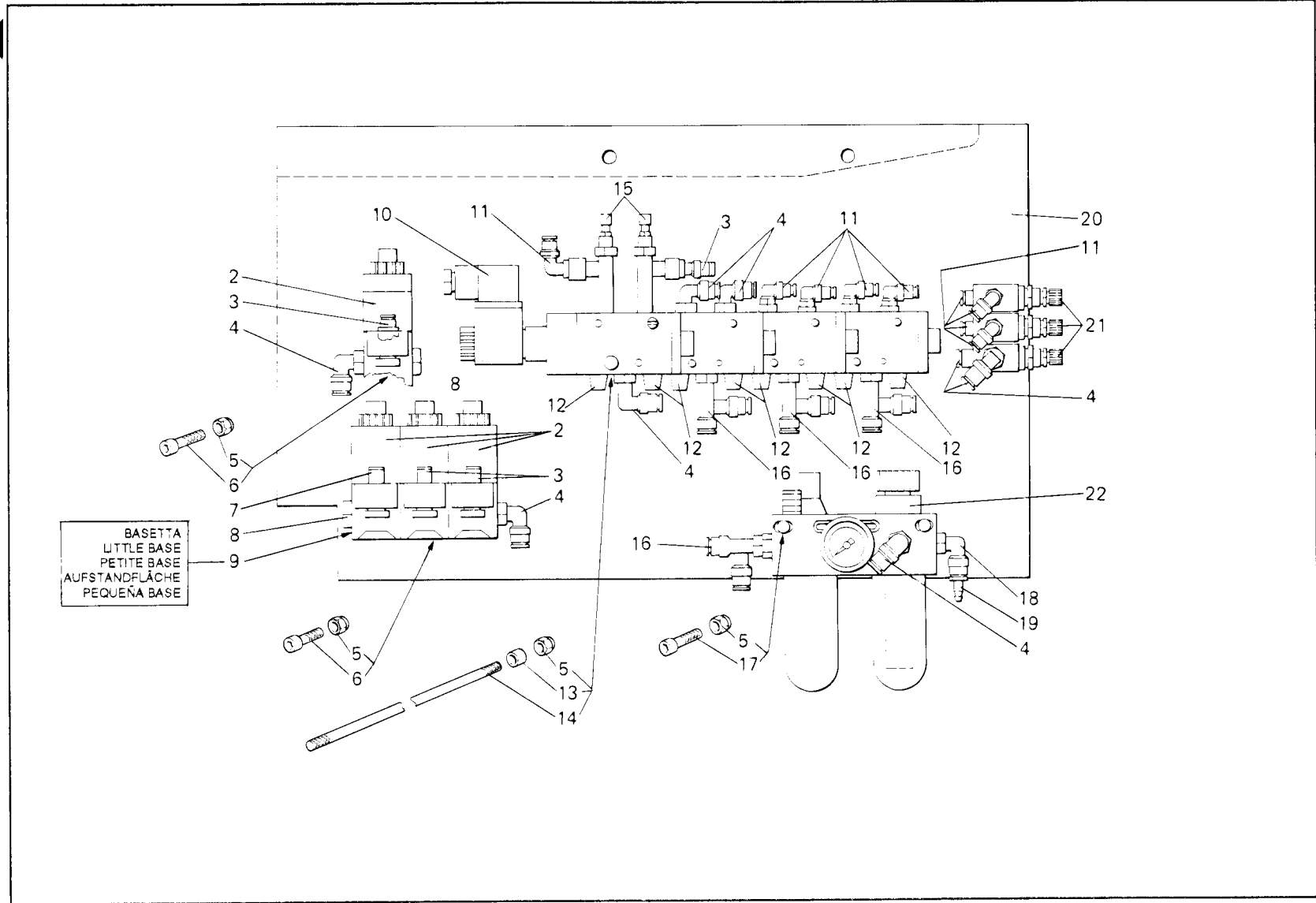
| Fig. N. | Part. N. Piece N. | Qt. |
|---------|-------------------|-----|
| 1       | 932621-4-00       | 1   |
| 2       | 943202-0-00       | 1   |
| 3       | 922846-4-00       | 1   |
| 4       | 925779-0-00       | 1   |



SEGUE  
FOLLOWS



| Fig. N. | Part. N. Piece N. | Qt. |
|---------|-------------------|-----|
| 1       | 932555-0-00       | 1   |
| 2       | 941365-0-00       | 4   |
| 3       | 902567-0-00       | 1   |
| 4       | 931937-0-00       | 1   |
| 5       | 920258-0-10       | 10  |
| 6       | 927655-0-00       | 18  |
| 7       | 944445-0-00       | 4   |
| 8       | 900871-0-00       | 1   |
| 9       | 742027-2-00       | 10  |
| 10      | 722463-2-00       | 2   |
| 11      | 707298-0-00       | 1   |
| 12      | 900870-0-00       | 1   |
| 13      | 731086-2-00       | 2   |
| 14      | 701003-0-00       | 11  |



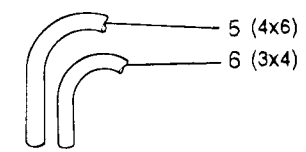
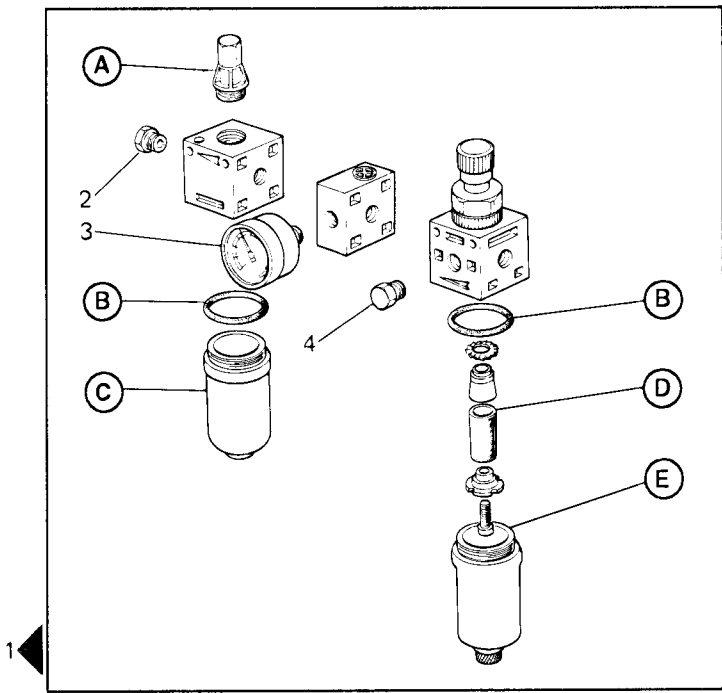
BASETTA  
LITTLE BASE  
PETITE BASE  
AUFSTANDFLÄCHE  
PEQUEÑA BASE

| Fig. N. | Part. N. Piece N. | Qt. |
|---------|-------------------|-----|
| 1       | 933886-4-00       | 1   |
| 2       | 940421-4-01       | 4   |
| 3       | 941502-4-00       | 4   |
| 4       | 941511-4-00       | 8   |
| 5       | 734001-2-00       | 9   |
| 6       | 722481-2-00       | 3   |
| 7       | 941503-4-00       | 1   |
| 8       | 925779-0-00       | 2   |
| 9       | 942981-4-10       | 4   |
| 10      | 929299-4-11       | 4   |
| 11      | 941509-4-00       | 9   |
| 12      | 924851-0-10       | 8   |
| 13      | 930204-0-00       | 8   |
| 14      | 931581-0-00       | 2   |
| 15      | 932708-2-00       | 2   |
| 16      | 941524-4-00       | 4   |
| 17      | 722521-2-00       | 2   |
| 18      | 932787-0-00       | 1   |
| 19      | 922775-0-00       | 1   |
| 20      | 932554-0-00       | 1   |
| 21      | 923800-0-00       | 3   |
| 22      | 932621-4-00       | 1   |

SEGUE  
FOLLOWS

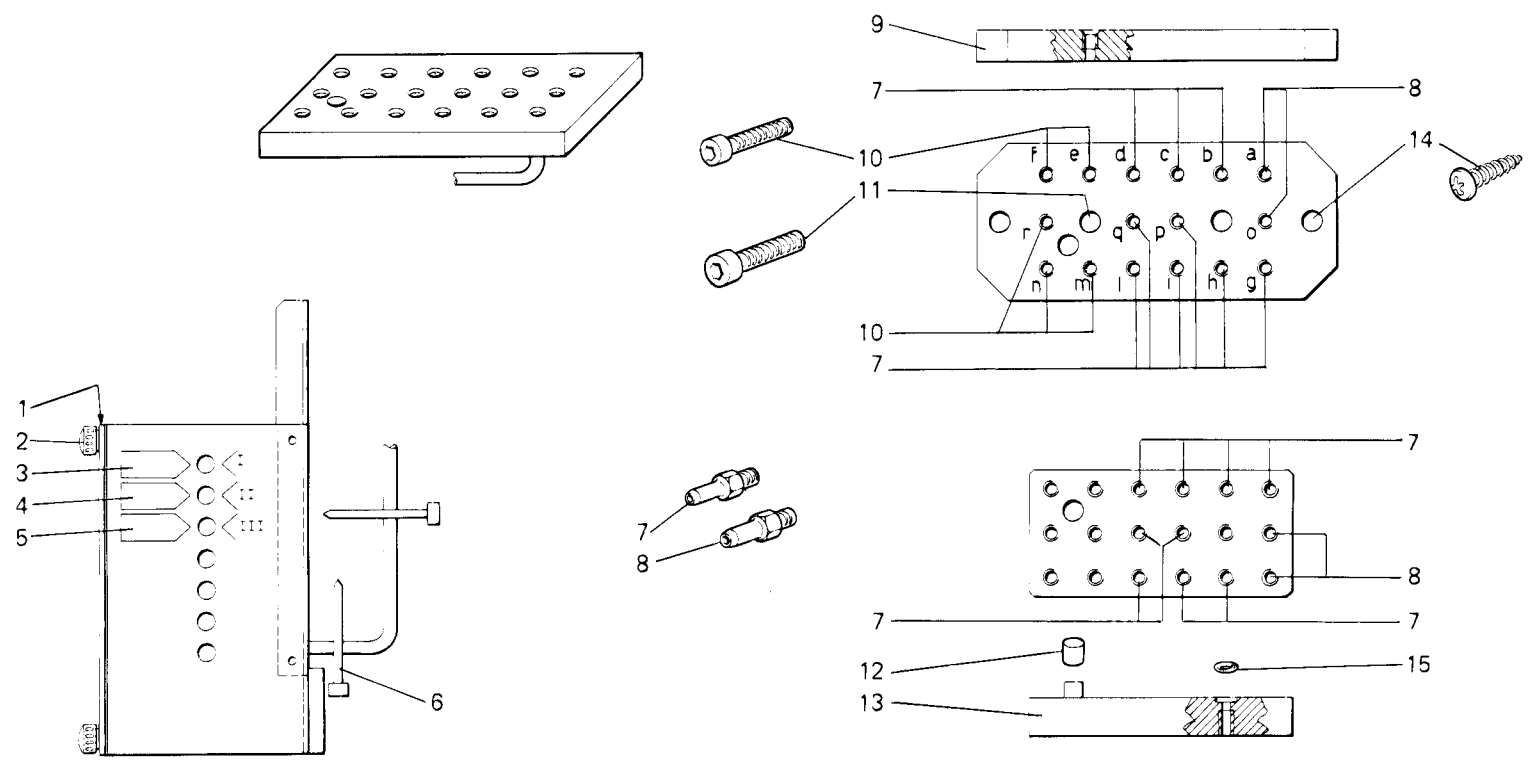
|   | A           | B           | C           | D           | E           |
|---|-------------|-------------|-------------|-------------|-------------|
| <b>F.R.L. METALWORK</b><br>COLORE ARANCIO - ORANGE COLOUR - COLEUR ORANGE - ORANGEFARBE - COLOR NARANJA | 924245-4-00 | 924233-0-00 | 924244-4-00 | 924238-0-00 | 924239-4-00 |
| <b>F.R.L. STAMPOTECNICA</b><br>COLORE NERO - BLACK COLOUR - COLEUR NOIRE - SCHWARZFARBE - COLOR NEGRO   | 925199-4-00 | 701133-0-00 | 925198-4-00 | 925196-0-00 | 925197-4-00 |

| Fig. N. | Part. N. / Piece N. | Qt. |
|---------|---------------------|-----|
| 1       | 932621-4-00         | 1   |
| 2       | 943202-0-00         | 1   |
| 3       | 922846-4-00         | 1   |
| 4       | 925779-0-00         | 1   |
| 5       | M295779610          | --- |
| 6       | M291909410          | --- |



1

SEGUE  
FOLLOWS



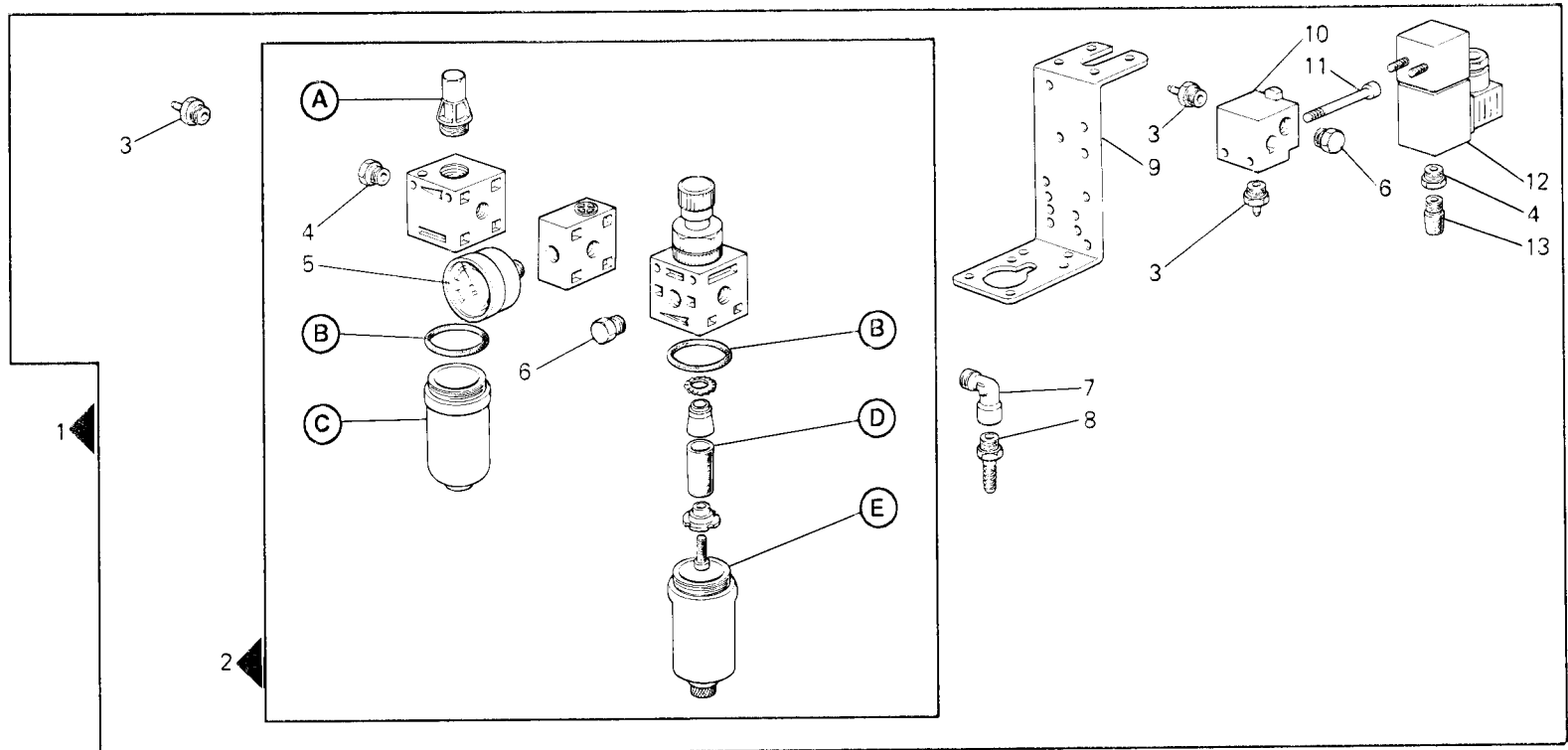
| Fig. N. | Part. N. Piece N. | Qt. |
|---------|-------------------|-----|
| 1       | 932555-0-00       | 1   |
| 2       | 941365-0-00       | 4   |
| 3       | 902567-0-00       | 1   |
| 4       | 931937-0-00       | 1   |
| 5       | 932682-0-00       | 1   |
| 6       | 920258-0-10       | 10  |
| 7       | 927655-0-00       | 18  |
| 8       | 944445-0-00       | 4   |
| 9       | 900871-0-00       | 1   |
| 10      | 742027-2-00       | 10  |
| 11      | 722463-2-00       | 2   |
| 12      | 707298-0-00       | 1   |
| 13      | 900870-0-00       | 1   |
| 14      | 731086-2-00       | 2   |
| 15      | 701003-0-00       | 11  |

GRUPPI DI COMPOSIZIONE - COMPOSITION KITS - GROUPES DE KIT - KIT GRUPPEN - GRUPOS DE COMPOSICION

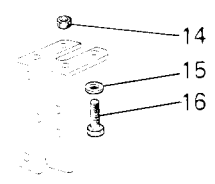
KIT DI SERVIZIO  
SERVICE KIT  
KIT DE SERVICE  
DENST KIT  
KIT DE SERVICIO

**WFS-6D**

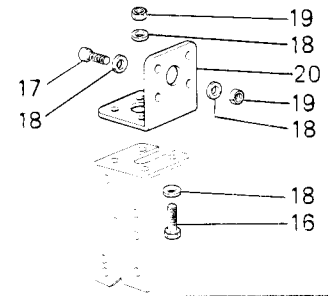
|   | A           | B           | C           | D           | E           |
|---|-------------|-------------|-------------|-------------|-------------|
| <b>F.R.L. METALWORK</b><br>COLORE ARANCIO - ORANGE COLOUR - COLEUR ORANGE - ORANGEFARBE - COLOR NARANJA | 924245-4-00 | 924233-0-00 | 924244-4-00 | 924238-0-00 | 924239-4-00 |
| <b>F.R.L. STAMPOTECNICA</b><br>COLORE NERO - BLACK COLOUR - COLEUR NOIRE - SCHWARZFARBE - COLOR NEGRO   | 925199-4-00 | 701133-0-00 | 925198-4-00 | 925196-0-00 | 925197-4-00 |



**BANCALE REGOLABILE**  
ADJUSTABLE STAND  
BATI REGLABLE  
VERSTELLBARES GESTELL  
BANCADA AJUSTABLE

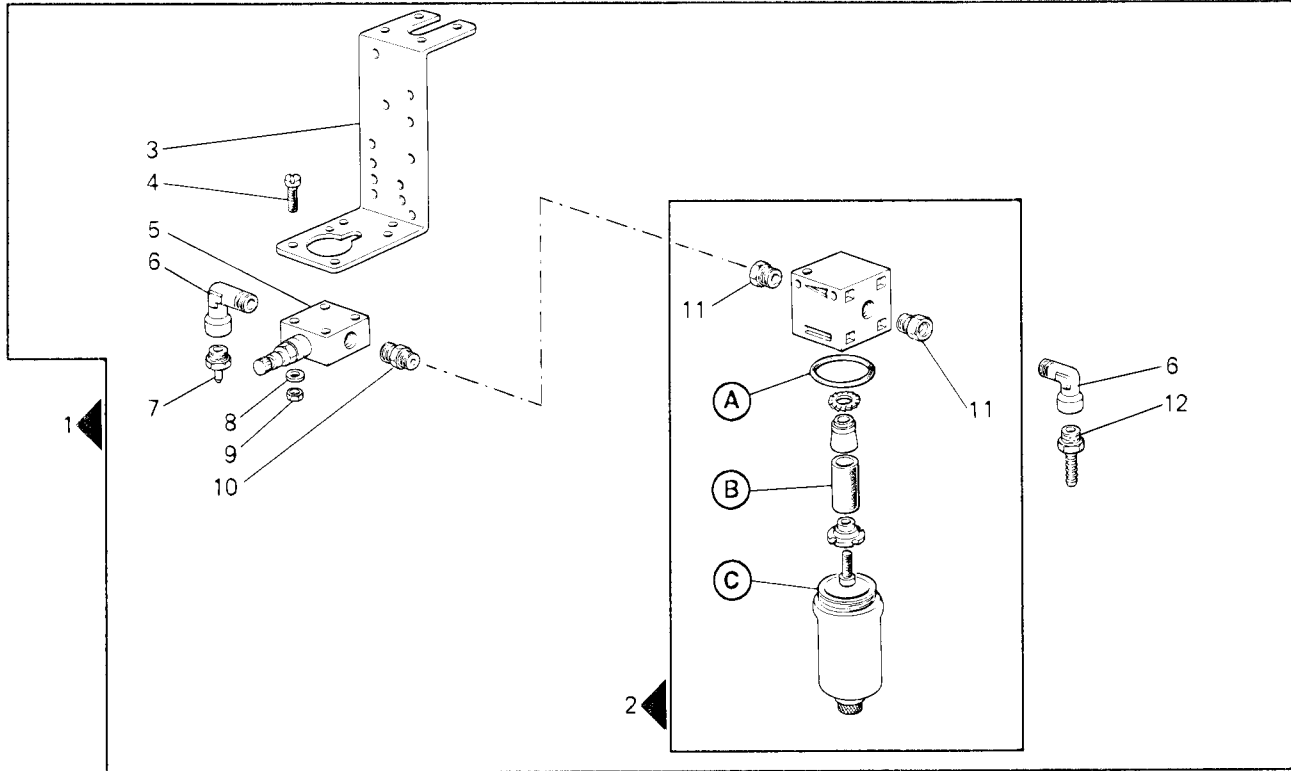


**BANCALE A COLONNA**  
COLUMN STAND  
BATI A COLONNE  
SAEULENGESTELL  
BANCADA A COLUMNA

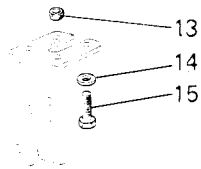


| Fig. N. | Part. N. Piece N. | Qt. |
|---------|-------------------|-----|
| 1       | 926850-4-00       | 1   |
| 2       | 932621-4-00       | 1   |
| 3       | 924870-0-10       | 3   |
| 4       | 943202-0-00       | 2   |
| 5       | 922846-4-00       | 1   |
| 6       | 925779-0-00       | 2   |
| 7       | 923803-0-00       | 1   |
| 8       | 923804-0-00       | 1   |
| 9       | 925557-0-00       | 1   |
| 10      | 942981-4-10       | 1   |
| 11      | 722481-2-00       | 2   |
| 12      | 940421-4-00       | 1   |
| 13      | 924851-0-10       | 1   |
| 14      | 902272-0-00       | 1   |
| 15      | 704011-4-00       | 1   |
| 16      | 720485-2-00       | 1   |
| 17      | 720525-2-00       | 1   |
| 18      | 704329-2-00       | 4   |
| 19      | 733006-2-00       | 2   |
| 20      | 925513-0-00       | 1   |

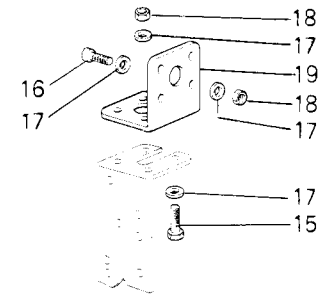
|  | A           | B           | C           |
|--|-------------|-------------|-------------|
| F.R.L. METALWORK<br>COLORE ARANCIO · ORANGE COLOUR · COLEUR ORANGE · ORANGEFARBE · COLOR NARANJA | 924233-0-00 | 924238-0-00 | 924239-4-00 |
| F.R.L. STAMPOTECNICA<br>COLORE NERO · BLACK COLOUR · COLEUR NOIRE · SCHWARZFARBE · COLOR NEGRO   | 701133-0-00 | 925296-0-00 | 925197-4-00 |



BANCALE REGOLABILE  
ADJUSTABLE STAND  
BATI REGLABLE  
VERSTELLBARES GESTELL  
BANCADA AJUSTABLE



BANCALE A COLONNA  
COLUMN STAND  
BATI A COLONNE  
SAEULENGESTELL  
BANCADA A COLUMNA



| Fig. N. | Part. N. Piece N. | Qt. |
|---------|-------------------|-----|
| 1       | 923958-4-00       | 1   |
| 2       | 923801-4-00       | 1   |
| 3       | 925557-0-00       | 1   |
| 4       | 741082-2-00       | 2   |
| 5       | 923800-0-00       | 1   |
| 6       | 923803-0-00       | 2   |
| 7       | 924870-0-10       | 1   |
| 8       | 704306-2-00       | 2   |
| 9       | 746007-2-00       | 2   |
| 10      | 923802-0-00       | 1   |
| 11      | 943202-0-00       | 2   |
| 12      | 923804-0-00       | 1   |
| 13      | 902272-0-00       | 1   |
| 14      | 704011-0-00       | 1   |
| 15      | 720485-4-00       | 1   |
| 16      | 720525-2-00       | 1   |
| 17      | 704329-2-00       | 4   |
| 18      | 733510-2-00       | 2   |
| 19      | 925513-0-00       | 1   |

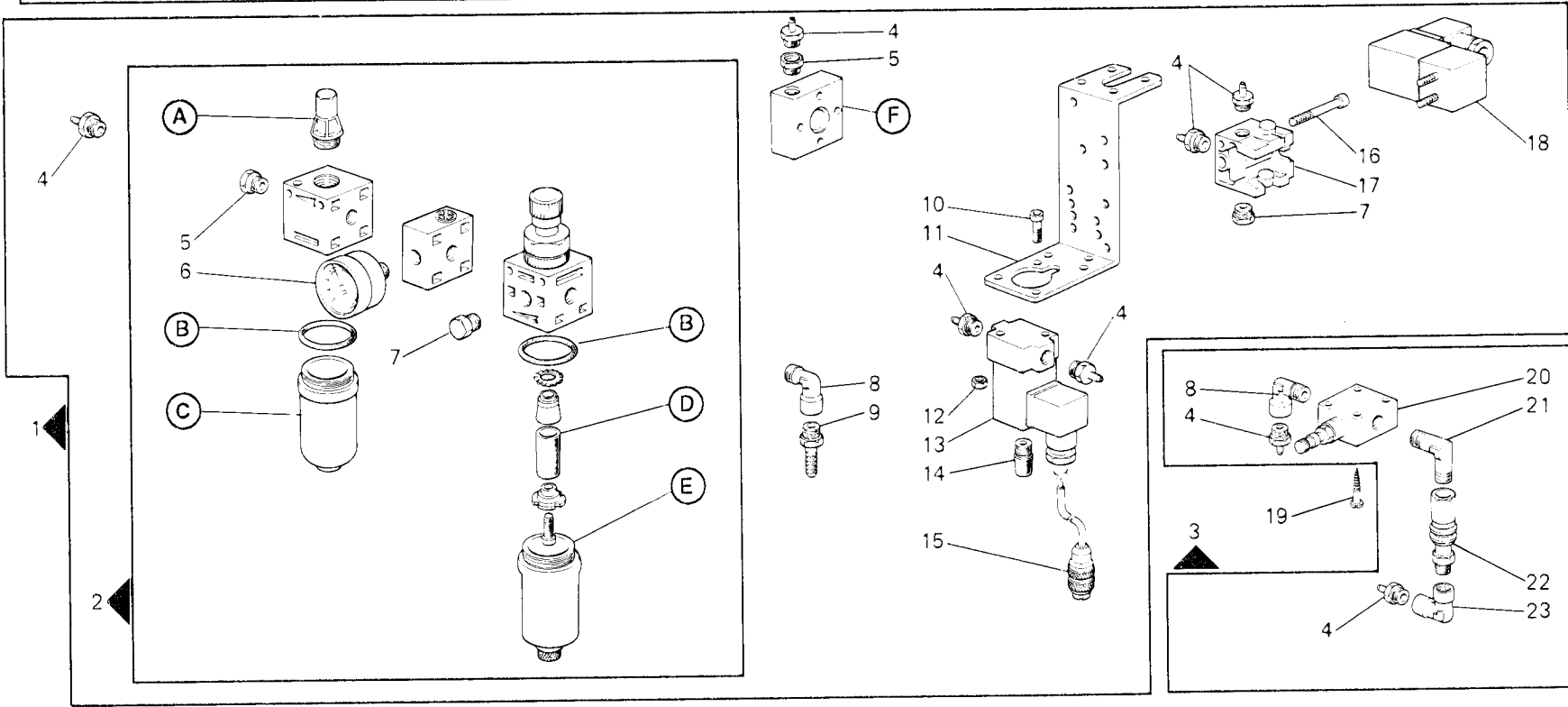


# WFS-6D-006-S0-0

Rim®

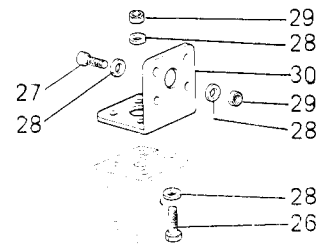
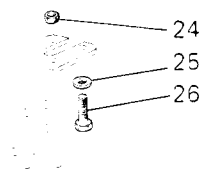
|  | A           | B           | C           | D           | E           | F           |
|--|-------------|-------------|-------------|-------------|-------------|-------------|
| F.R.L. METALWORK<br>COLORE ARANCIO · ORANGE COLOUR · COLEUR ORANGE · ORANGEFARBE · COLOR NARANJA | 924245-4-00 | 924233-0-00 | 924244-4-00 | 924238-0-00 | 924239-4-00 | 931437-2-00 |
| F.R.L. STAMPOTECNICA<br>COLORE NERO · BLACK COLOUR · COLEUR NOIRE · SCHWARZFARBE · COLOR NEGRO   | 925199-4-00 | 701133-0-00 | 925198-4-00 | 925196-0-00 | 925197-4-00 | 925913-2-00 |

| Fig. N. | Part. N. Piece N. | Qt. |
|---------|-------------------|-----|
| 1       | 926844-4-20       | 1   |
| 2       | 932621-4-00       | 1   |
| 3       | 926841-4-00       | 1   |
| 4       | 924870-0-10       | 8   |
| 5       | 943202-0-00       | 2   |
| 6       | 922846-4-00       | 1   |
| 7       | 925779-0-00       | 2   |
| 8       | 923803-0-00       | 2   |
| 9       | 923804-0-00       | 1   |
| 10      | 722421-2-00       | 2   |
| 11      | 925557-0-00       | 1   |
| 12      | 733505-2-00       | 2   |
| 13      | 925234-4-10       | 1   |
| 14      | 924851-0-10       | 1   |
| 15      | 800321-4-00       | 1   |
| 16      | 722481-2-00       | 2   |
| 17      | 942981-4-10       | 1   |
| 18      | 940421-4-00       | 1   |
| 19      | 731105-0-00       | 2   |
| 20      | 923800-0-00       | 1   |
| 21      | 943441-0-00       | 1   |
| 22      | 943329-0-00       | 1   |
| 23      | 926838-0-00       | 1   |
| 24      | 902272-0-00       | 1   |
| 25      | 704011-4-00       | 1   |
| 26      | 720485-2-00       | 1   |
| 27      | 720525-2-00       | 1   |
| 28      | 704329-2-00       | 4   |
| 29      | 733006-2-00       | 2   |
| 30      | 925513-0-00       | 1   |



BANCALE REGOLABILE  
ADJUSTABLE STAND  
BATI REGLABLE  
VERSTELLBARES GESTELL  
BANCADA AJUSTABLE

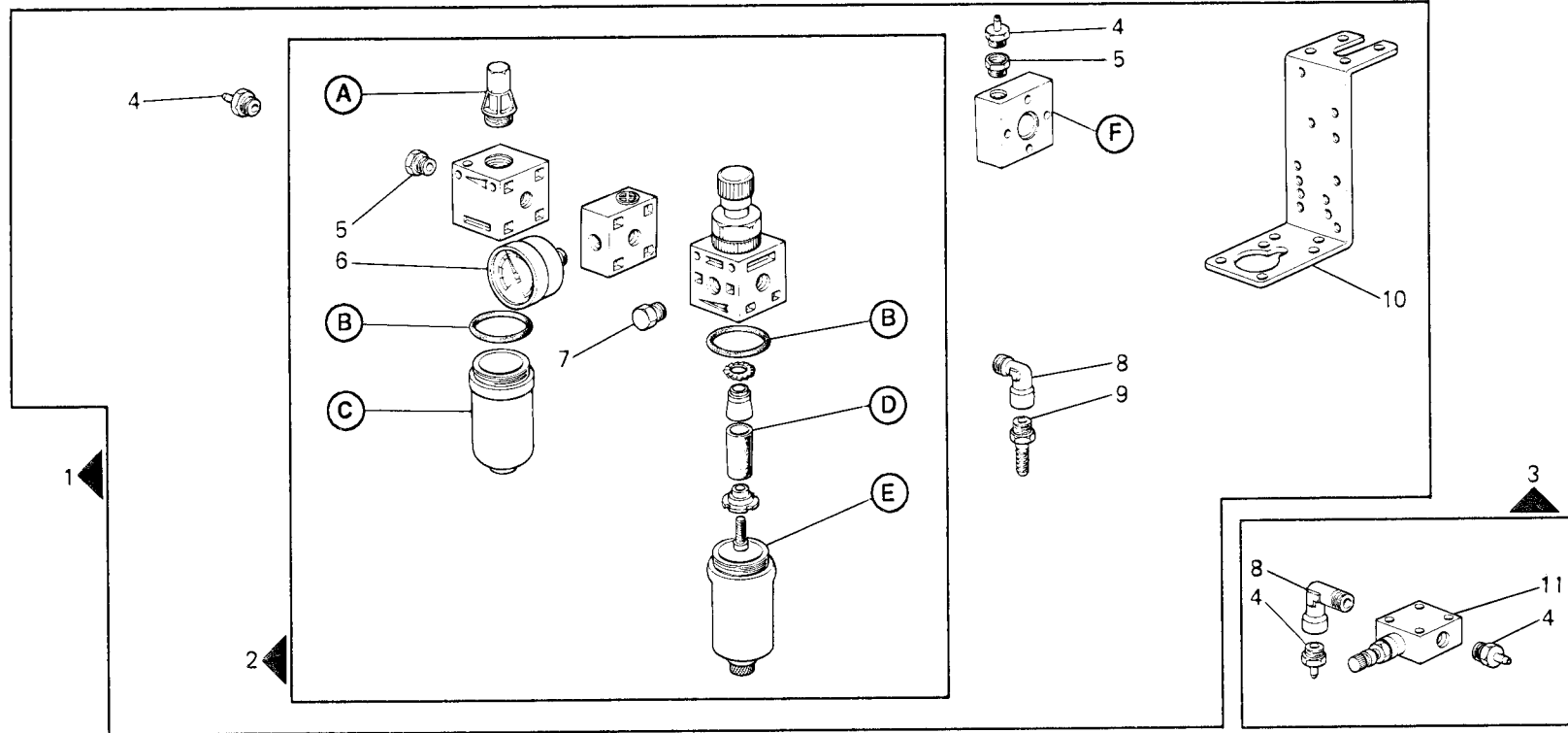
BANCALE A COLONNA  
COLUMN STAND  
BATI A COLONNE  
SAEULENGESTELL  
BANCADA A COLUMNA



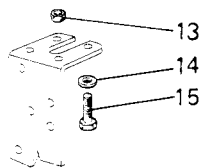
# WFS-6D-007-S0-0

# Rim®

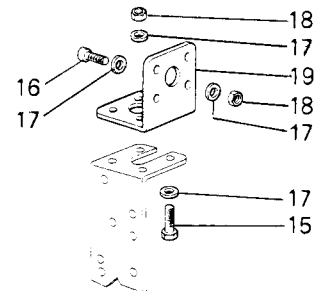
|   | A           | B           | C           | D           | E           | F           |
|---|-------------|-------------|-------------|-------------|-------------|-------------|
| <b>F.R.L. METALWORK</b><br>COLORE ARANCIO - ORANGE COLOUR - COLEUR ORANGE - ORANGEFARBE - COLOR NARANJA | 924245-4-00 | 924233-0-00 | 924244-4-00 | 924238-0-00 | 924239-4-00 | 931437-2-00 |
| <b>F.R.L. STAMPOTECNICA</b><br>COLORE NERO - BLACK COLOUR - COLEUR NOIRE - SCHWARZFARBE - COLOR NEGRO   | 925199-4-00 | 701133-0-00 | 925198-4-00 | 925196-0-00 | 925197-4-00 | 925913-2-00 |



**BANCALE REGOLABILE**  
ADJUSTABLE STAND  
BATI REGLABLE  
VERSTELLBARES GESTELL  
BANCADA AJUSTABLE



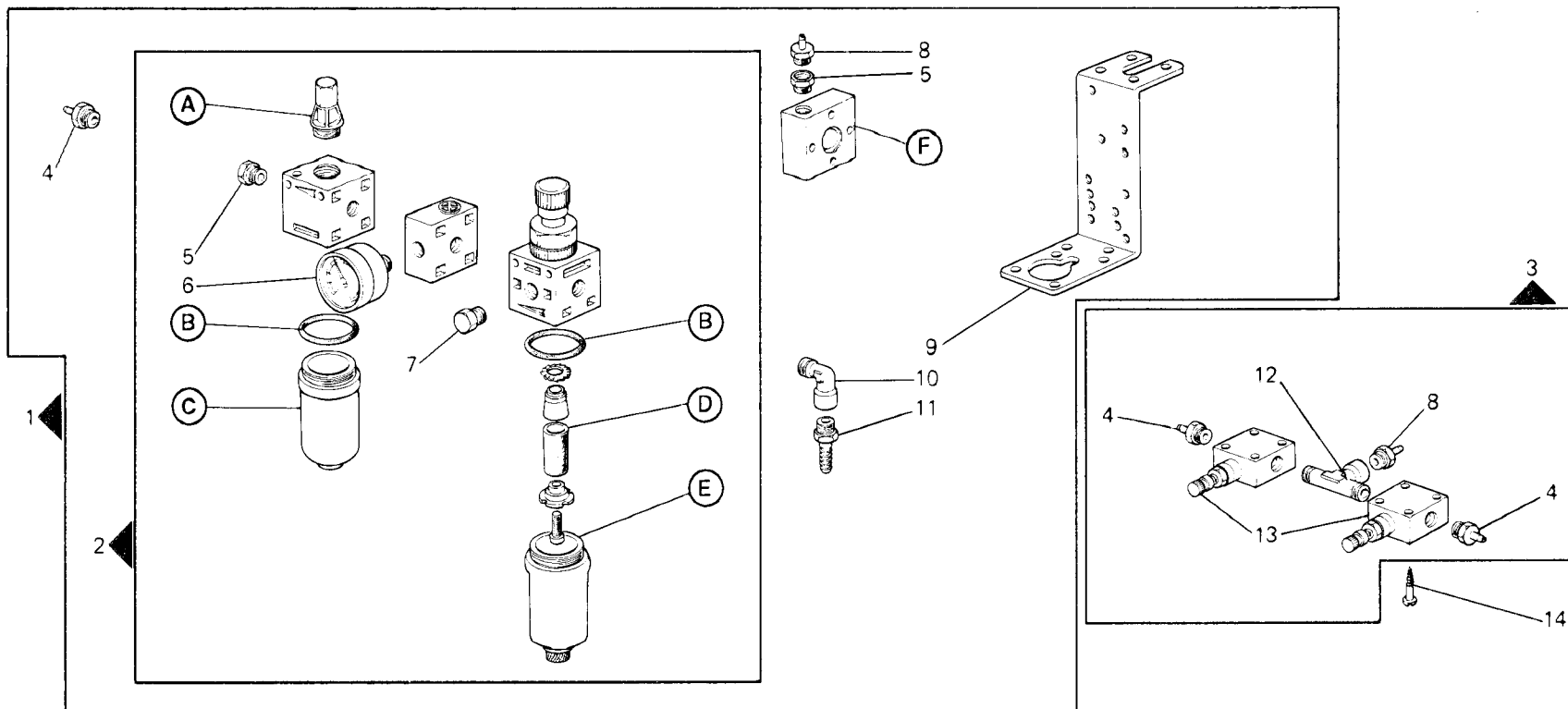
**BANCALE A COLONNA**  
COLUMN STAND  
BATI A COLONNE  
SAEULENGESTELL  
BANCADA A COLUMNA



| Fig. N. | Part. N. Piece N. | Qt. |
|---------|-------------------|-----|
| 1       | 925902-4-00       | 1   |
| 2       | 932621-4-00       | 1   |
| 3       | 925901-4-00       | 1   |
| 4       | 924870-0-10       | 4   |
| 5       | 943202-0-00       | 2   |
| 6       | 922846-4-00       | 1   |
| 7       | 925779-0-00       | 1   |
| 8       | 923803-0-00       | 2   |
| 9       | 923804-0-00       | 1   |
| 10      | 925557-0-00       | 1   |
| 11      | 923800-0-00       | 1   |
| 12      | 731105-0-00       | 4   |
| 13      | 902272-0-00       | 1   |
| 14      | 704011-4-00       | 1   |
| 15      | 720485-2-00       | 1   |
| 16      | 720525-2-00       | 1   |
| 17      | 704329-2-00       | 4   |
| 18      | 733006-2-00       | 2   |
| 19      | 925513-0-00       | 1   |

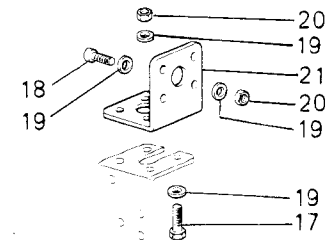
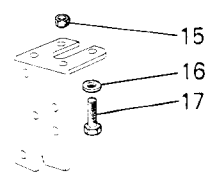
|   | A           | B           | C           | D           | E           | F           |
|---|-------------|-------------|-------------|-------------|-------------|-------------|
| <b>F.R.L. METALWORK</b><br>COLORE ARANCIO - ORANGE COLOUR - COLEUR ORANGE - ORANGEFARBE - COLOR NARANJA | 924245-4-00 | 924233-0-00 | 924244-4-00 | 924238-0-00 | 924239-4-00 | 931437-2-00 |
| <b>F.R.L. STAMPOTECNICA</b><br>COLORE NERO - BLACK COLOUR - COLEUR NOIRE - SCHWARZFARBE - COLOR NEGRO   | 925199-4-00 | 701133-0-00 | 925198-4-00 | 925196-0-00 | 925197-4-00 | 925913-2-00 |

| Fig. N. | Part. N. Piece N. | Qt. |
|---------|-------------------|-----|
| 1       | 927539-4-00       | 1   |
| 2       | 932621-4-00       | 1   |
| 3       | 928983-4-00       | 1   |
| 4       | 924870-0-10       | 3   |
| 5       | 943202-0-00       | 3   |
| 6       | 922846-4-00       | 1   |
| 7       | 925779-0-00       | 1   |
| 8       | 926303-0-00       | 2   |
| 9       | 925557-0-00       | 1   |
| 10      | 923803-0-00       | 1   |
| 11      | 923804-0-00       | 1   |
| 12      | 925905-0-00       | 1   |
| 13      | 923800-0-00       | 1   |
| 14      | 731105-0-00       | 4   |
| 15      | 902272-0-00       | 1   |
| 16      | 704011-4-00       | 1   |
| 17      | 720485-2-00       | 2   |
| 18      | 720525-2-00       | 1   |
| 19      | 704329-2-00       | 4   |
| 20      | 733006-2-00       | 2   |
| 21      | 925513-0-00       | 1   |



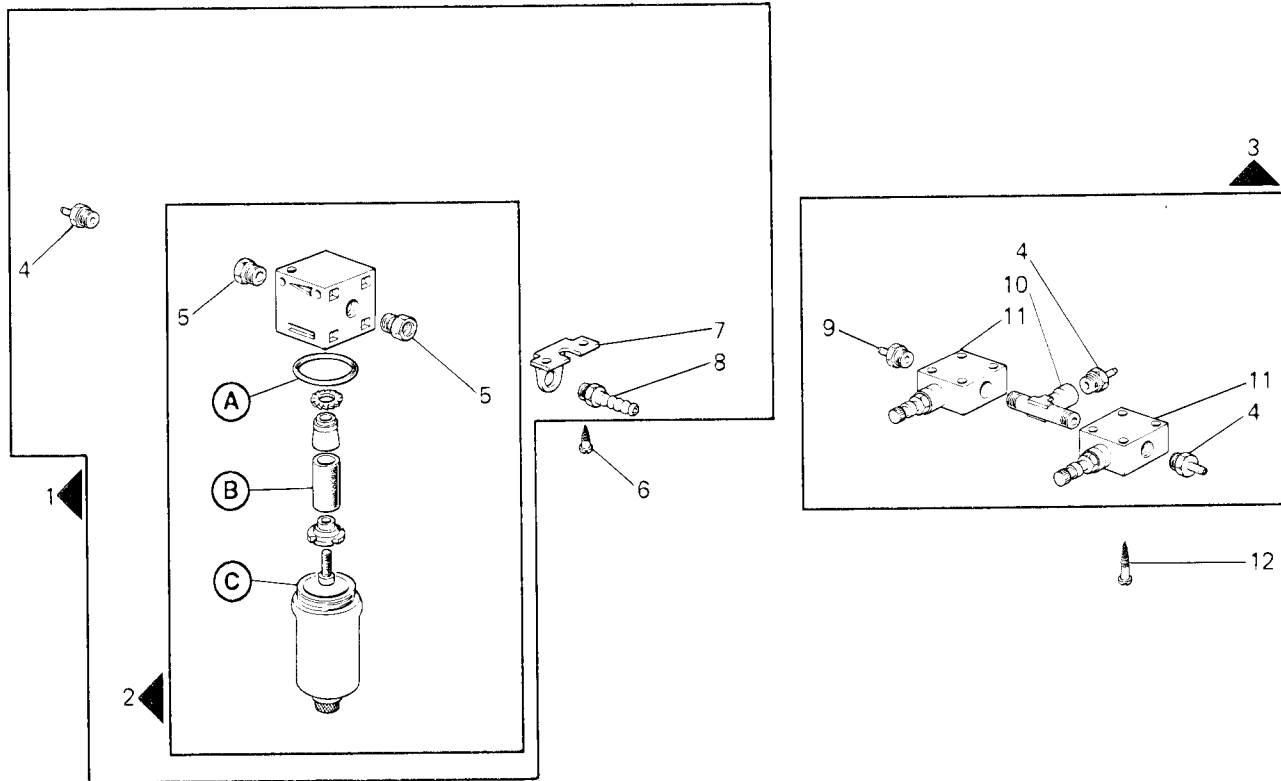
BANCALE REGOLABILE  
ADJUSTABLE STAND  
BATI REGLABLE  
VERSTELBARES GESTELL  
BANCADA AJUSTABLE

BANCALE A COLONNA  
COLUMN STAND  
BATI A COLONNE  
SAEULENGESTELL  
BANCADA A COLUMNA



|  | A           | B           | C           |
|--|-------------|-------------|-------------|
| F.R.L. METALWORK<br>COLORE ARANCIO - ORANGE COLOUR - COLEUR ORANGE - ORANGEFARBE - COLOR NARANJA | 924233-0-00 | 924238-0-00 | 924239-4-00 |
| F.R.L. STAMPOTECNICA<br>COLORE NERO - BLACK COLOUR - COLEUR NOIRE - SCHWARZFARBE - COLOR NEGRO   | 701133-0-00 | 925296-0-00 | 925197-4-00 |

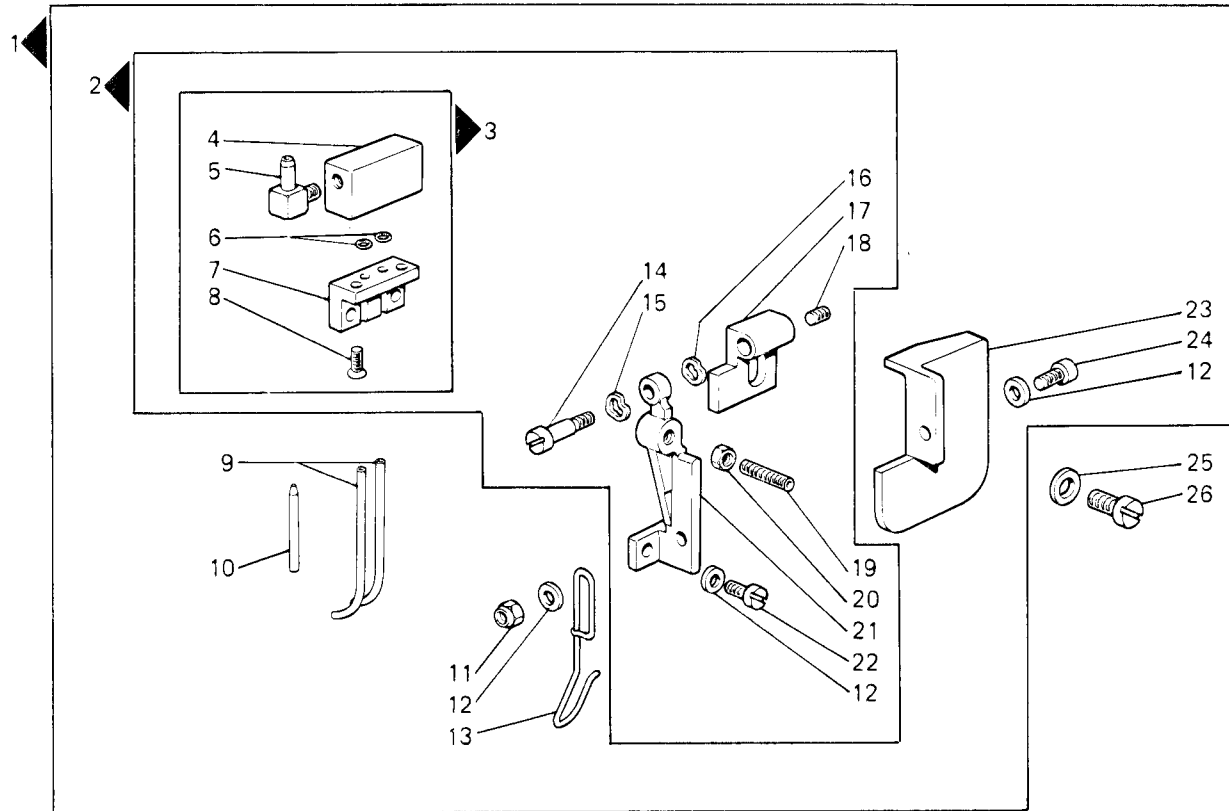
| Fig. N. | Part. N. Piece N. | Qt. |
|---------|-------------------|-----|
| 1       | 928984-4-01       | 1   |
| 2       | 923801-4-00       | 1   |
| 3       | 928983-4-00       | 1   |
| 4       | 926303-0-00       | 2   |
| 5       | 943202-0-00       | 2   |
| 6       | 731085-0-00       | 2   |
| 7       | 928985-0-01       | 1   |
| 8       | 923804-0-00       | 1   |
| 9       | 924870-0-10       | 2   |
| 10      | 925905-0-00       | 1   |
| 11      | 923800-0-00       | 2   |
| 12      | 731105-0-00       | 4   |



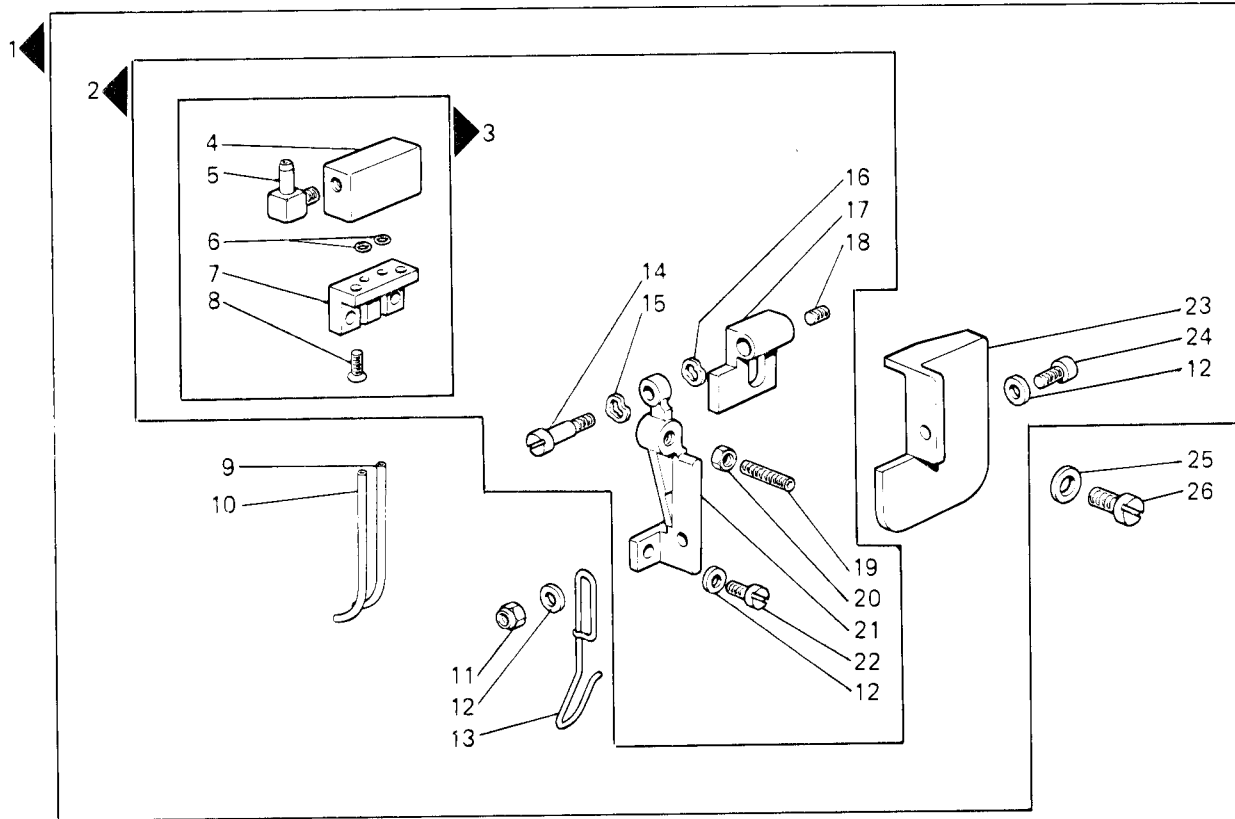
GRUPPI DI COMPOSIZIONE - COMPOSITION KITS - GROUPES DE KIT - KIT GRUPPEN - GRUPOS DE COMPOSICION

KIT VARIANTI  
VARIATION KIT  
KIT DE VARIATION  
ENDERUNGEN KIT  
KIT DE VARIACION

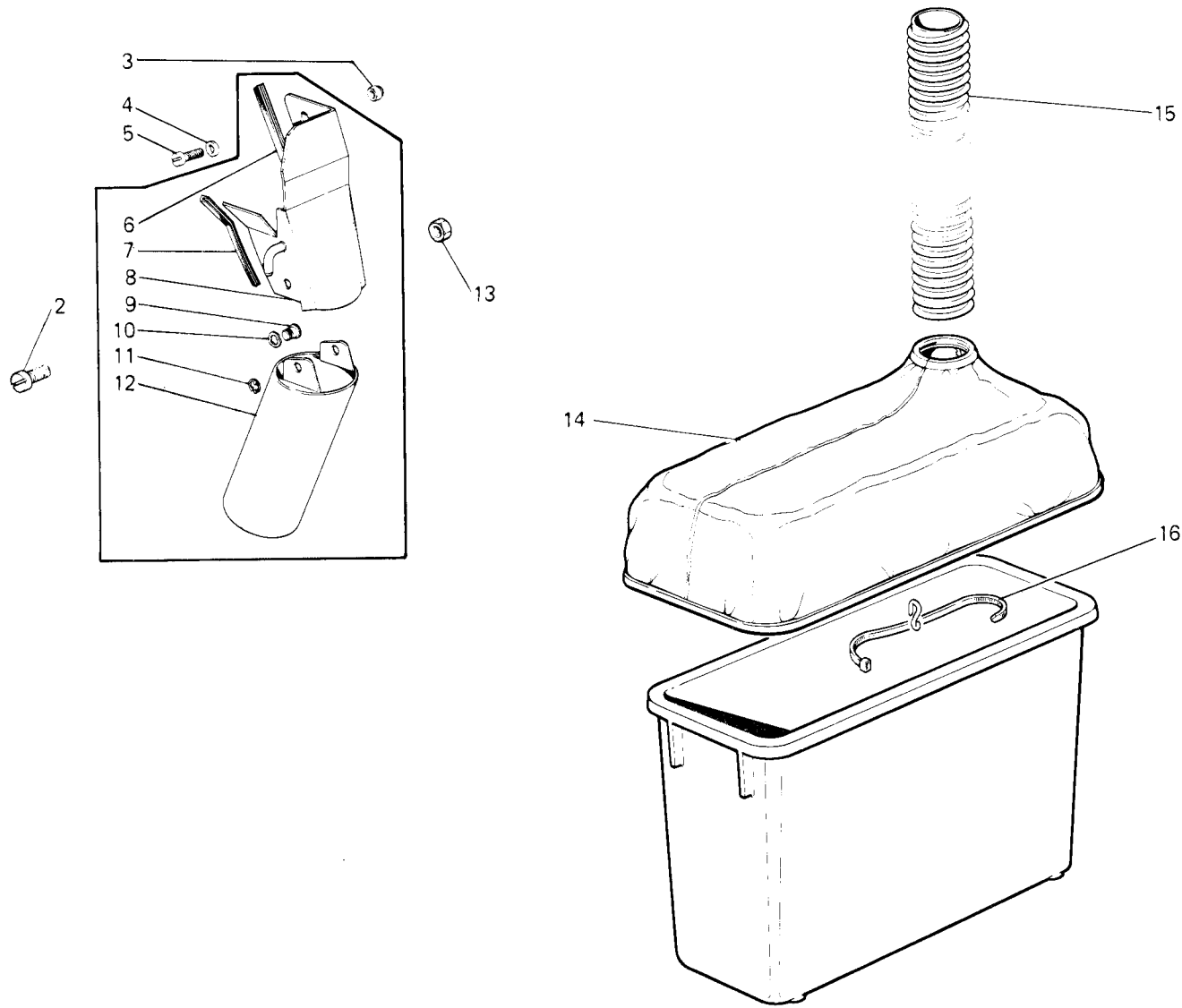
**WFS-6D**



| Fig. N. | Part. N. Piece N. | Qt. |
|---------|-------------------|-----|
| 1       | 925933-4-00       | 1   |
| 2       | 925207-4-00       | 1   |
| 3       | 922453-4-00       | 1   |
| 4       | 922454-0-00       | 1   |
| 5       | 925761-0-01       | 1   |
| 6       | 701000-0-00       | 2   |
| 7       | 922455-0-00       | 1   |
| 8       | 744631-2-00       | 2   |
| 9       | 946038-0-00       | 2   |
| 10      | 922460-0-00       | 1   |
| 11      | 926729-0-00       | 1   |
| 12      | 704104-2-00       | 4   |
| 13      | 925218-0-00       | 1   |
| 14      | 743482-2-00       | 1   |
| 15      | 307605-0-00       | 1   |
| 16      | 702406-0-00       | 1   |
| 17      | 925217-0-00       | 1   |
| 18      | 729012-2-00       | 1   |
| 19      | 729062-2-00       | 1   |
| 20      | 746007-2-00       | 1   |
| 21      | 925216-0-00       | 1   |
| 22      | 741675-2-00       | 2   |
| 23      | 946036-0-00       | 1   |
| 24      | 741682-0-00       | 1   |
| 25      | 704109-2-00       | 1   |
| 26      | 742623-2-00       | 1   |



| Fig. N. | Part. N. Piece N. | Qt. |
|---------|-------------------|-----|
| 1       | 925935-4-00       | 1   |
| 2       | 925207-4-00       | 1   |
| 3       | 922453-4-00       | 1   |
| 4       | 922454-0-00       | 1   |
| 5       | 925761-0-01       | 1   |
| 6       | 701000-0-00       | 2   |
| 7       | 922455-0-00       | 1   |
| 8       | 744631-2-00       | 2   |
| 9       | 925937-0-00       | 1   |
| 10      | 925938-0-00       | 1   |
| 11      | 926729-0-00       | 1   |
| 12      | 704104-2-00       | 4   |
| 13      | 925218-0-00       | 1   |
| 14      | 743482-2-00       | 1   |
| 15      | 307605-0-00       | 1   |
| 16      | 702406-0-00       | 1   |
| 17      | 925217-0-00       | 1   |
| 18      | 729012-2-00       | 1   |
| 19      | 729062-2-00       | 1   |
| 20      | 746007-2-00       | 1   |
| 21      | 925216-0-00       | 1   |
| 22      | 741675-2-00       | 2   |
| 23      | 946036-0-00       | 1   |
| 24      | 741682-0-00       | 1   |
| 25      | 704109-2-00       | 1   |
| 26      | 742623-2-00       | 1   |



| Fig. N. | Part. N. Piece N. | Qt. |
|---------|-------------------|-----|
| 1       | 927317-4-00       | 1   |
| 2       | 300483-0-10       | 1   |
| 3       | 923943-0-00       | 1   |
| 4       | 704409-2-00       | 1   |
| 5       | 723266-2-00       | 1   |
| 6       | 927255-0-00       | 1   |
| 7       | 927256-0-00       | 1   |
| 8       | 927316-2-00       | 1   |
| 9       | 927261-0-00       | 2   |
| 10      | 307605-0-00       | 2   |
| 11      | 700207-0-00       | 2   |
| 12      | 944162-0-01       | 1   |
| 13      | 733806-2-00       | 1   |
| 14      | 927393-0-00       | 1   |
| 15      | 944167-0-00       | 1   |
| 16      | 944381-0-00       | 1   |



GRUPPI DI COMPOSIZIONE - COMPOSITION KITS - GROUPES DE KIT - KIT GRUPPEN - GRUPOS DE COMPOSICION

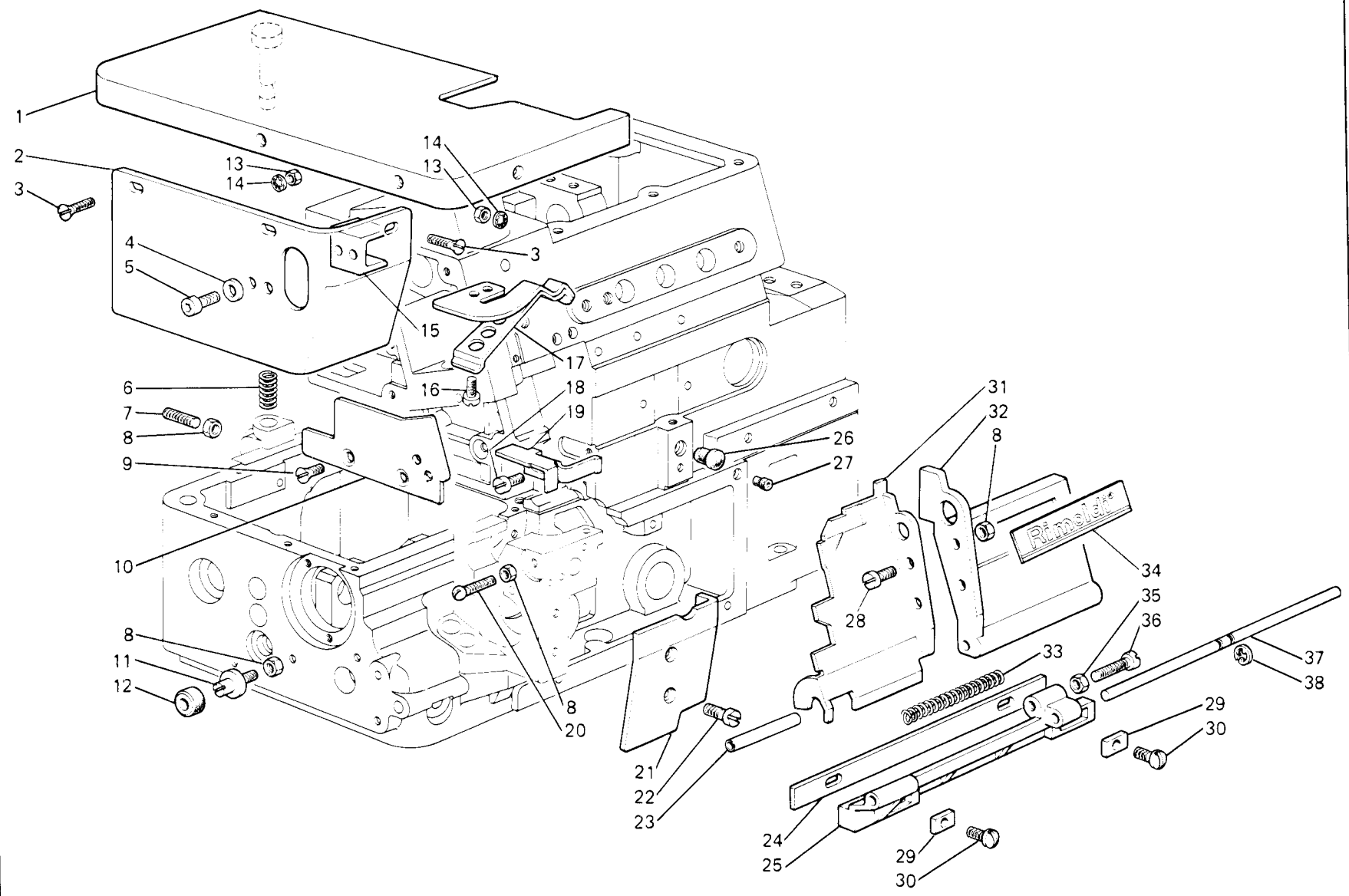
KIT PIANI DI LAVORO - CARTER  
WORKING PLATE - COVERS KIT  
KIT PLAN DE TRAVAIL - CARTERS  
ARBEITSPLATZ - DECKEL KIT  
KIT PLANO DE TRABAJO - TAPAS

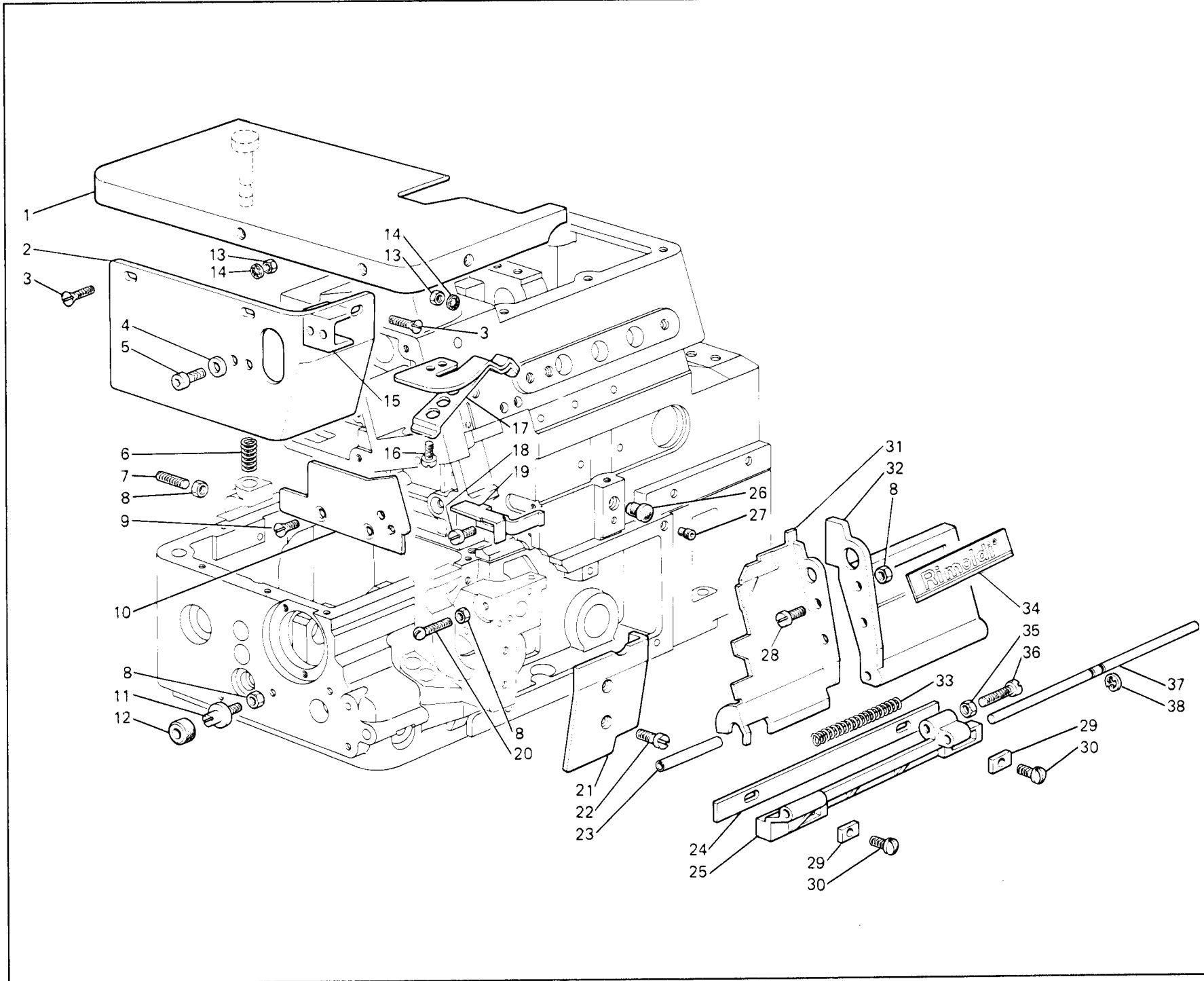
**WFS-68**

WFS-68-012-00-0

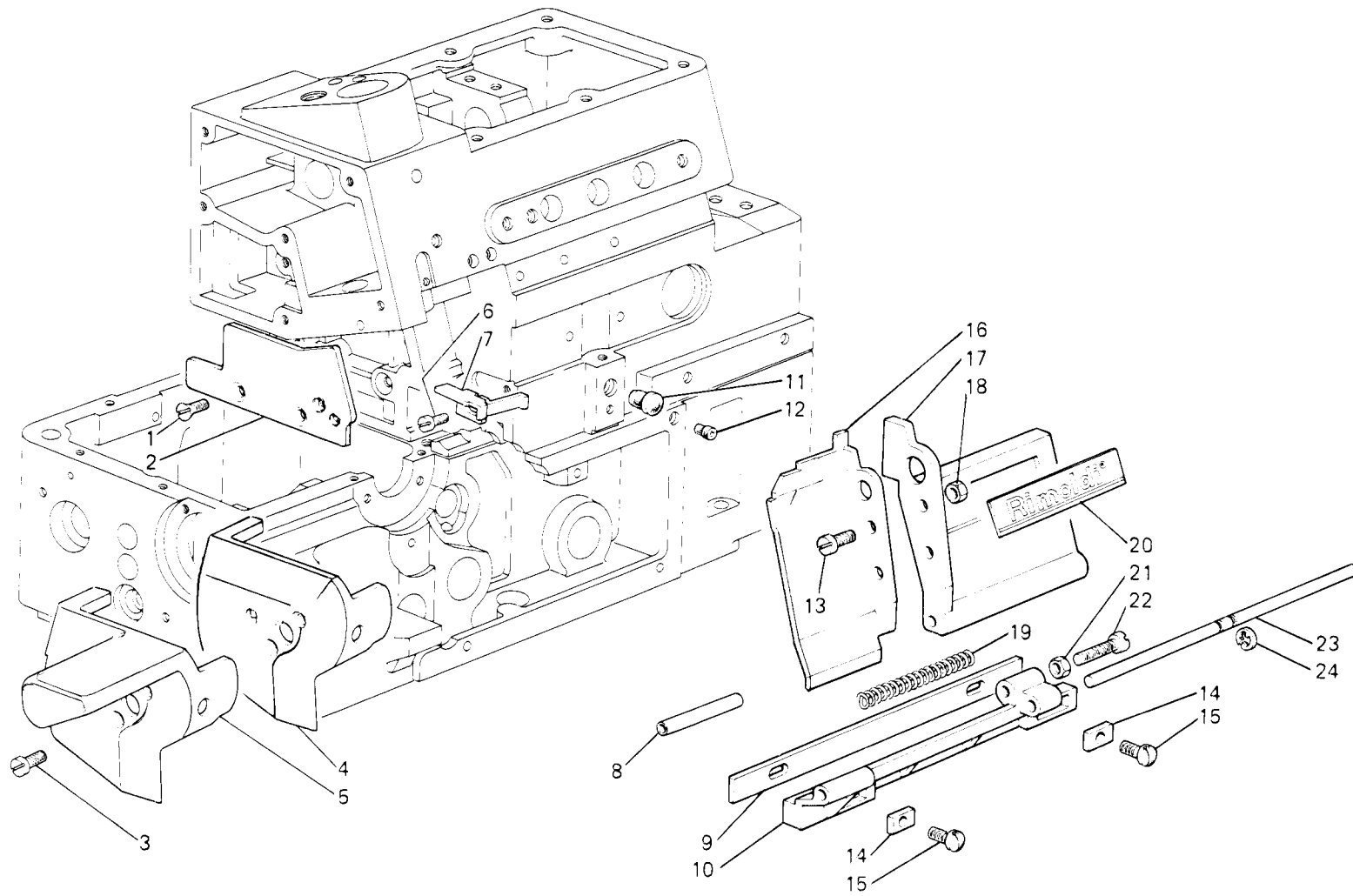
Rim®

| Fig. N. | Part. N. Piece N. | Qt. |
|---------|-------------------|-----|
| 1       | 921956-2-00       | 1   |
| 2       | 211689-0-00       | 1   |
| 3       | 744651-0-00       | 3   |
| 4       | 704006-2-00       | 2   |
| 5       | 735011-2-00       | 2   |
| 6       | 211410-0-00       | 1   |
| 7       | 211409-0-00       | 1   |
| 8       | 746007-2-00       | 5   |
| 9       | 744730-2-00       | 2   |
| 10      | 211716-0-00       | 1   |
| 11      | 211694-0-00       | 1   |
| 12      | 211028-0-00       | 1   |
| 13      | 746003-0-00       | 3   |
| 14      | 703203-0-00       | 3   |
| 15      | 211697-0-00       | 1   |
| 16      | 721423-0-00       | 2   |
| 17      | 211703-2-00       | 1   |
| 18      | 721454-2-00       | 1   |
| 19      | 211686-0-00       | 1   |
| 20      | 211715-0-00       | 1   |
| 21      | 211691-0-00       | 1   |
| 22      | 741967-2-00       | 2   |
| 23      | 211682-0-00       | 1   |
| 24      | 211539-0-00       | 1   |
| 25      | 211582-0-00       | 1   |
| 26      | 202398-0-10       | 1   |
| 27      | 207856-0-00       | 1   |
| 28      | 200356-0-10       | 2   |
| 29      | 209720-0-00       | 2   |
| 30      | 722441-2-00       | 2   |
| 31      | 209684-0-00       | 1   |
| 32      | 211681-0-00       | 1   |
| 33      | 209683-0-00       | 1   |
| 34      | 211055-0-00       | 1   |
| 35      | 733806-2-00       | 1   |
| 36      | 722143-2-00       | 1   |
| 37      | 211583-0-01       | 1   |
| 38      | 700207-0-00       | 1   |

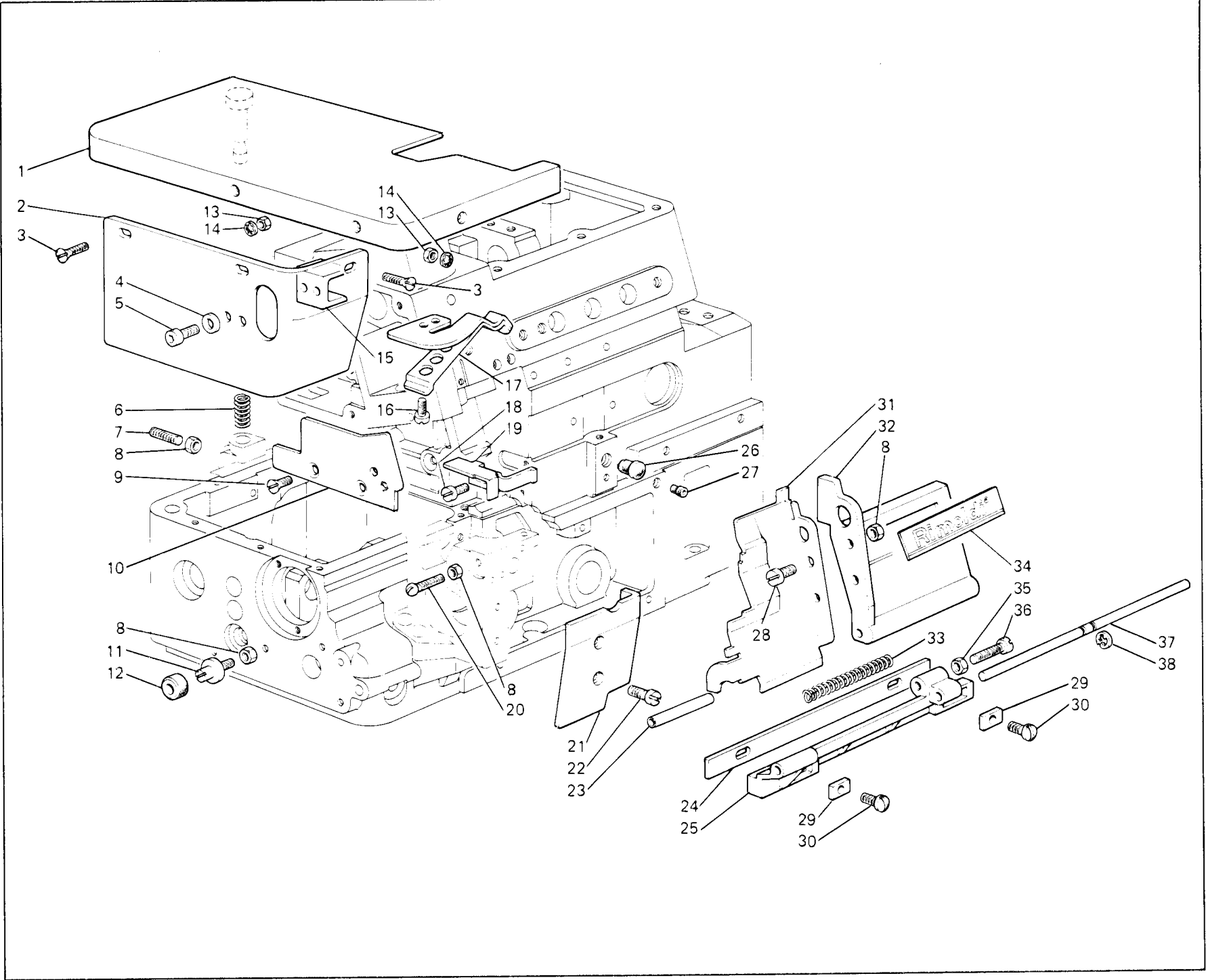




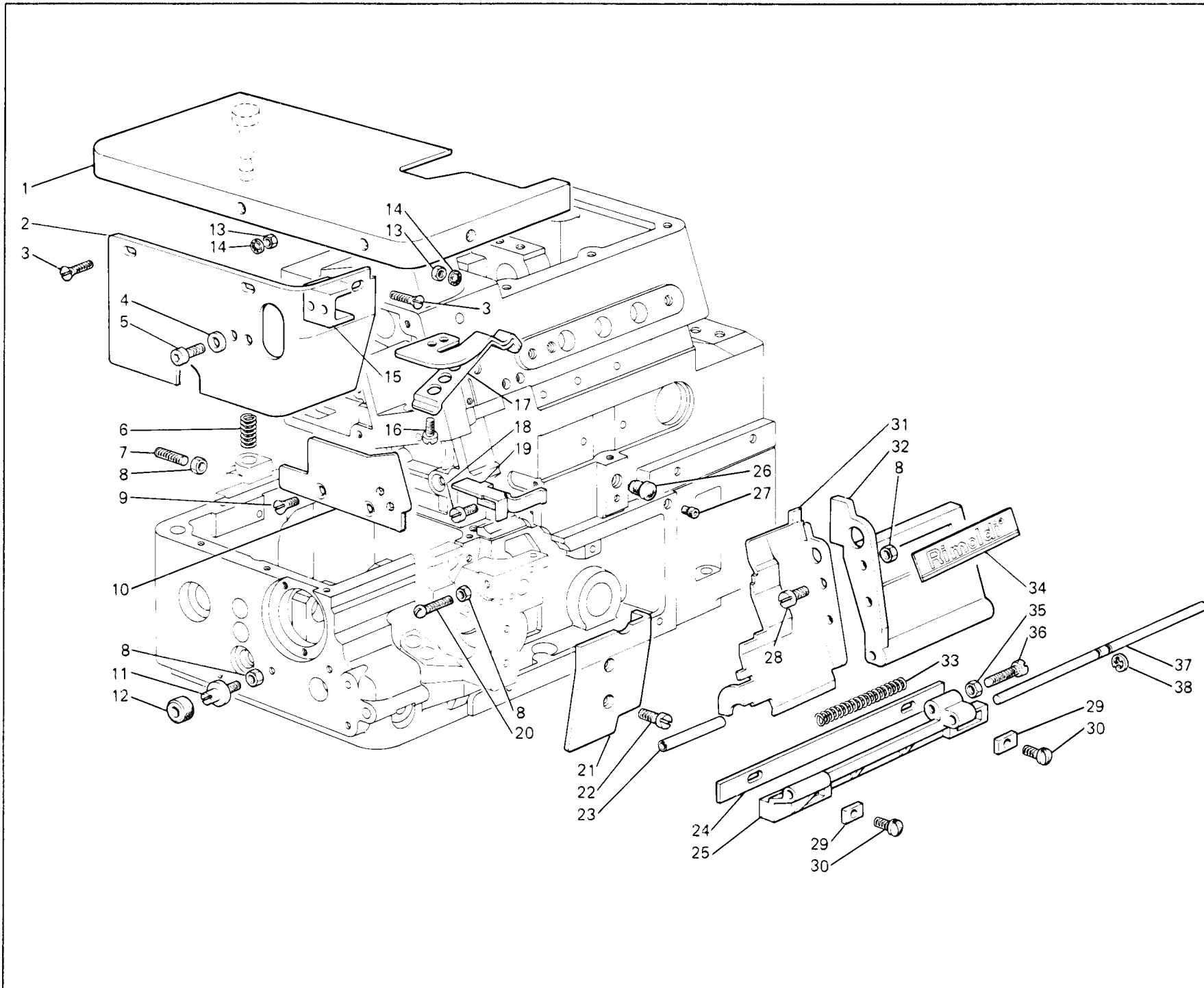
| Fig. N. | Part. N. / Pièce N. | Qt. |
|---------|---------------------|-----|
| 1       | 921989-2-00         | 1   |
| 2       | 211689-0-00         | 1   |
| 3       | 744651-0-00         | 3   |
| 4       | 704006-2-00         | 2   |
| 5       | 735011-2-00         | 2   |
| 6       | 211410-0-00         | 1   |
| 7       | 211409-0-00         | 1   |
| 8       | 746007-2-00         | 5   |
| 9       | 744730-2-00         | 2   |
| 10      | 211716-0-00         | 1   |
| 11      | 211694-0-00         | 1   |
| 12      | 211028-0-00         | 1   |
| 13      | 746003-0-00         | 3   |
| 14      | 703203-0-00         | 3   |
| 15      | 211697-0-00         | 1   |
| 16      | 721423-0-00         | 2   |
| 17      | 211703-2-00         | 1   |
| 18      | 721454-2-00         | 1   |
| 19      | 211686-0-00         | 1   |
| 20      | 211715-0-00         | 1   |
| 21      | 211691-0-00         | 1   |
| 22      | 741967-2-00         | 2   |
| 23      | 211682-0-00         | 1   |
| 24      | 211539-0-00         | 1   |
| 25      | 211582-0-00         | 1   |
| 26      | 202398-0-10         | 1   |
| 27      | 207856-0-00         | 1   |
| 28      | 200356-0-10         | 2   |
| 29      | 209720-0-00         | 2   |
| 30      | 722441-2-00         | 2   |
| 31      | 209684-0-00         | 1   |
| 32      | 211681-0-00         | 1   |
| 33      | 209683-0-00         | 1   |
| 34      | 211055-0-00         | 1   |
| 35      | 733806-2-00         | 1   |
| 36      | 722143-2-00         | 1   |
| 37      | 211583-0-01         | 1   |
| 38      | 700207-0-00         | 1   |



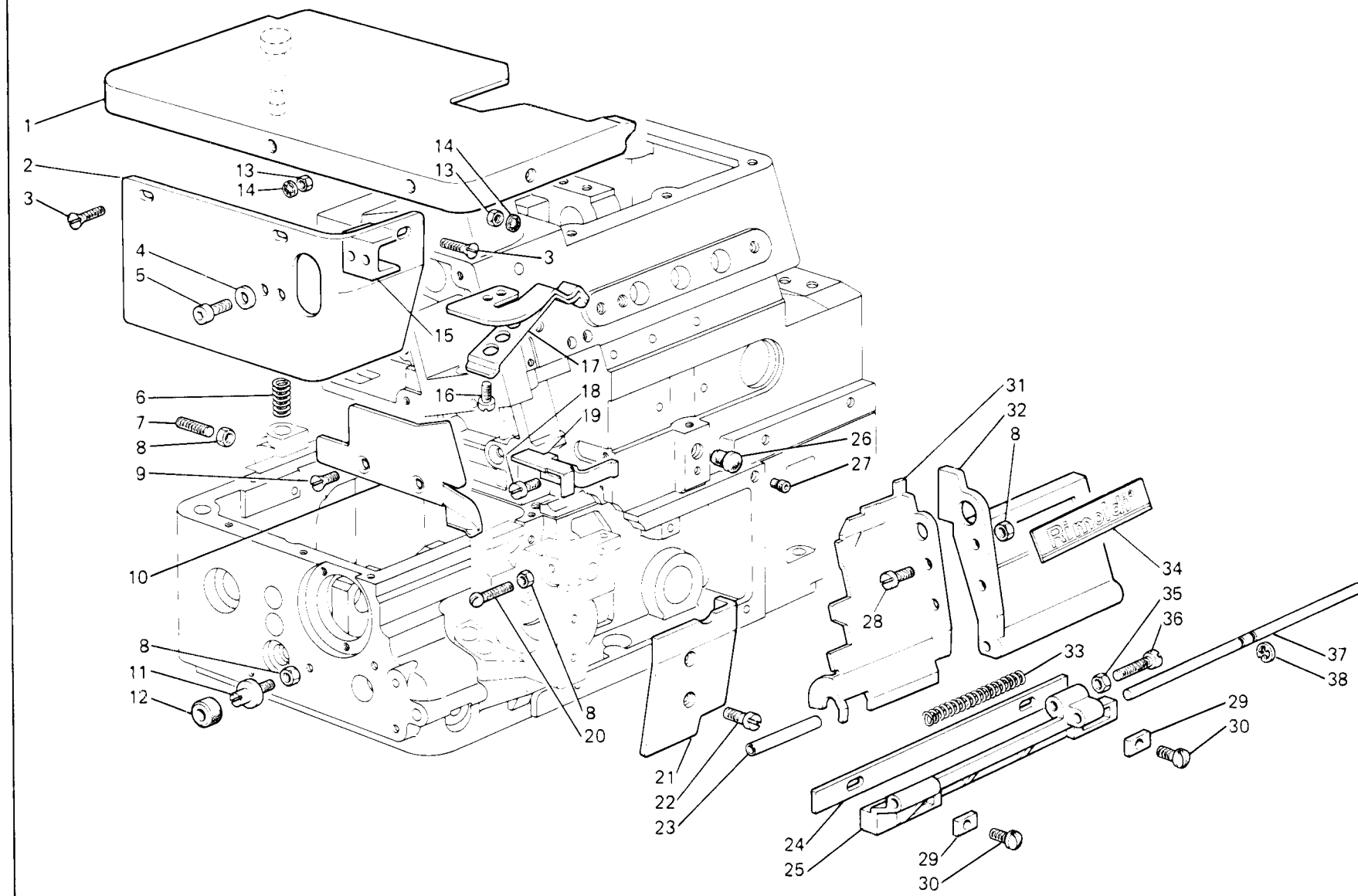
| Fig. N. | Part. N. Piece N. | Qt. |
|---------|-------------------|-----|
| 1       | 744730-2-00       | 2   |
| 2       | 211716-0-00       | 1   |
| 3       | 721454-2-00       | 2   |
| 4       | 926243-0-00       | 1   |
| 5       | 926244-0-00       | 1   |
| 6       | 721454-2-00       | 1   |
| 7       | 211686-0-00       | 1   |
| 8       | 211682-0-00       | 1   |
| 9       | 211539-0-00       | 1   |
| 10      | 210317-0-01       | 1   |
| 11      | 202398-0-10       | 1   |
| 12      | 207856-0-00       | 1   |
| 13      | 200356-0-10       | 2   |
| 14      | 209720-0-00       | 2   |
| 15      | 722441-2-00       | 2   |
| 16      | 210311-0-00       | 1   |
| 17      | 211681-0-00       | 1   |
| 18      | 746007-2-00       | 2   |
| 19      | 209683-0-00       | 1   |
| 20      | 211055-0-00       | 1   |
| 21      | 733806-2-00       | 1   |
| 22      | 722143-2-00       | 1   |
| 23      | 211583-0-01       | 1   |
| 24      | 700207-0-00       | 1   |



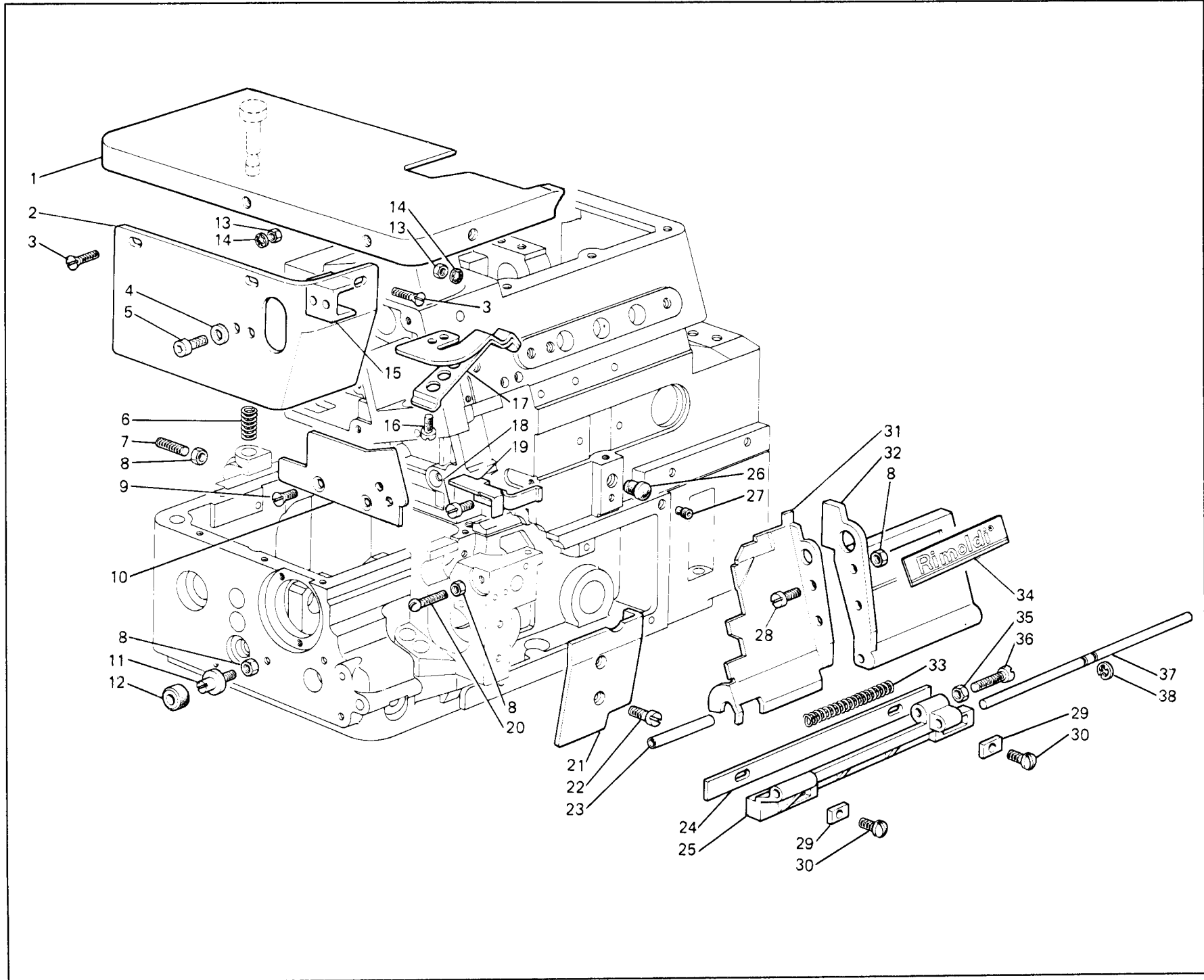
| Fig. N. | Part. N. Piece N. | Qt. |
|---------|-------------------|-----|
| 1       | 921956-2-00       | 1   |
| 2       | 211689-0-00       | 1   |
| 3       | 744651-0-00       | 3   |
| 4       | 704006-2-00       | 2   |
| 5       | 735011-2-00       | 2   |
| 6       | 211410-0-00       | 1   |
| 7       | 211409-0-00       | 1   |
| 8       | 746007-2-00       | 5   |
| 9       | 744730-2-00       | 2   |
| 10      | 211716-0-00       | 1   |
| 11      | 211694-0-00       | 1   |
| 12      | 211028-0-00       | 1   |
| 13      | 746003-0-00       | 3   |
| 14      | 703203-0-00       | 3   |
| 15      | 211697-0-00       | 1   |
| 16      | 721423-0-00       | 2   |
| 17      | 211703-2-00       | 1   |
| 18      | 721454-2-00       | 1   |
| 19      | 211686-0-00       | 1   |
| 20      | 211715-0-00       | 1   |
| 21      | 211692-0-00       | 1   |
| 22      | 741967-2-00       | 2   |
| 23      | 211682-0-00       | 1   |
| 24      | 211539-0-00       | 1   |
| 25      | 211582-0-00       | 1   |
| 26      | 202398-0-10       | 1   |
| 27      | 207856-0-00       | 1   |
| 28      | 200356-0-10       | 2   |
| 29      | 209720-0-00       | 2   |
| 30      | 722441-2-00       | 2   |
| 31      | 209685-0-00       | 1   |
| 32      | 211681-0-00       | 1   |
| 33      | 209683-0-00       | 1   |
| 34      | 211055-0-00       | 1   |
| 35      | 733806-2-00       | 1   |
| 36      | 722143-2-00       | 1   |
| 37      | 211583-0-01       | 1   |
| 38      | 700207-0-00       | 1   |



| Fig. N. | Part. N. Piece N. | Qt. |
|---------|-------------------|-----|
| 1       | 921956-2-00       | 1   |
| 2       | 211693-0-00       | 1   |
| 3       | 744651-0-00       | 3   |
| 4       | 704006-2-00       | 2   |
| 5       | 735011-2-00       | 2   |
| 6       | 211410-0-00       | 1   |
| 7       | 211409-0-00       | 1   |
| 8       | 746007-2-00       | 5   |
| 9       | 744730-2-00       | 2   |
| 10      | 211716-0-00       | 1   |
| 11      | 211694-0-00       | 1   |
| 12      | 211028-0-00       | 1   |
| 13      | 746003-0-00       | 3   |
| 14      | 703203-0-00       | 3   |
| 15      | 211697-0-00       | 1   |
| 16      | 721423-0-00       | 2   |
| 17      | 211703-2-00       | 1   |
| 18      | 721454-2-00       | 1   |
| 19      | 211686-0-00       | 1   |
| 20      | 211715-0-00       | 1   |
| 21      | 211692-0-00       | 1   |
| 22      | 741967-2-00       | 2   |
| 23      | 211682-0-00       | 1   |
| 24      | 211539-0-00       | 1   |
| 25      | 211582-0-00       | 1   |
| 26      | 202398-0-10       | 1   |
| 27      | 207856-0-00       | 1   |
| 28      | 200356-0-10       | 2   |
| 29      | 209720-0-00       | 2   |
| 30      | 722441-2-00       | 2   |
| 31      | 209685-0-00       | 1   |
| 32      | 211681-0-00       | 1   |
| 33      | 209683-0-00       | 1   |
| 34      | 211055-0-00       | 1   |
| 35      | 733806-2-00       | 1   |
| 36      | 722143-2-00       | 1   |
| 37      | 211583-0-01       | 1   |
| 38      | 700207-0-00       | 1   |



| Fig. N. | Part. N.<br>Piece N. | Qt. |
|---------|----------------------|-----|
| 1       | 921958-2-00          | 1   |
| 2       | 211689-0-00          | 1   |
| 3       | 744651-0-00          | 3   |
| 4       | 704006-2-00          | 2   |
| 5       | 735011-2-00          | 2   |
| 6       | 211410-0-00          | 1   |
| 7       | 211409-0-00          | 1   |
| 8       | 746007-2-00          | 5   |
| 9       | 744730-2-00          | 2   |
| 10      | 211714-0-00          | 1   |
| 11      | 211694-0-00          | 1   |
| 12      | 211028-0-00          | 1   |
| 13      | 746003-0-00          | 3   |
| 14      | 703203-0-00          | 3   |
| 15      | 211697-0-00          | 1   |
| 16      | 721423-0-00          | 2   |
| 17      | 211703-2-00          | 1   |
| 18      | 721454-2-00          | 1   |
| 19      | 211686-0-00          | 1   |
| 20      | 211715-0-00          | 1   |
| 21      | 211691-0-00          | 1   |
| 22      | 741967-2-00          | 2   |
| 23      | 211682-0-00          | 1   |
| 24      | 211539-0-00          | 1   |
| 25      | 211582-0-00          | 1   |
| 26      | 202398-0-10          | 1   |
| 27      | 207856-0-00          | 1   |
| 28      | 200356-0-10          | 2   |
| 29      | 209720-0-00          | 2   |
| 30      | 722441-2-00          | 2   |
| 31      | 209684-0-00          | 1   |
| 32      | 211681-0-00          | 1   |
| 33      | 209683-0-00          | 1   |
| 34      | 211055-0-00          | 1   |
| 35      | 733806-2-00          | 1   |
| 36      | 722143-2-00          | 1   |
| 37      | 211583-0-01          | 1   |
| 38      | 700207-0-00          | 1   |



| Fig. N. | Part. N. / Piece N. | Qt. |
|---------|---------------------|-----|
| 1       | 921959-2-00         | 1   |
| 2       | 211689-0-00         | 1   |
| 3       | 744651-0-00         | 3   |
| 4       | 704006-2-00         | 2   |
| 5       | 735011-2-00         | 2   |
| 6       | 211410-0-00         | 1   |
| 7       | 211409-0-00         | 1   |
| 8       | 746007-2-00         | 5   |
| 9       | 744730-2-00         | 2   |
| 10      | 211716-0-00         | 1   |
| 11      | 211694-0-00         | 1   |
| 12      | 211028-0-00         | 1   |
| 13      | 746003-0-00         | 3   |
| 14      | 703203-0-00         | 3   |
| 15      | 211697-0-00         | 1   |
| 16      | 721423-0-00         | 2   |
| 17      | 211703-2-00         | 1   |
| 18      | 721454-2-00         | 1   |
| 19      | 211686-0-00         | 1   |
| 20      | 211715-0-00         | 1   |
| 21      | 211691-0-00         | 1   |
| 22      | 741967-2-00         | 2   |
| 23      | 211682-0-00         | 1   |
| 24      | 211539-0-00         | 1   |
| 25      | 211582-0-00         | 1   |
| 26      | 202398-0-10         | 1   |
| 27      | 207856-0-00         | 1   |
| 28      | 200356-0-10         | 2   |
| 29      | 209720-0-00         | 2   |
| 30      | 722441-2-00         | 2   |
| 31      | 209684-0-00         | 1   |
| 32      | 211681-0-00         | 1   |
| 33      | 209683-0-00         | 1   |
| 34      | 211055-0-00         | 1   |
| 35      | 733806-2-00         | 1   |
| 36      | 722143-2-00         | 1   |
| 37      | 211583-0-01         | 1   |
| 38      | 700207-0-00         | 1   |

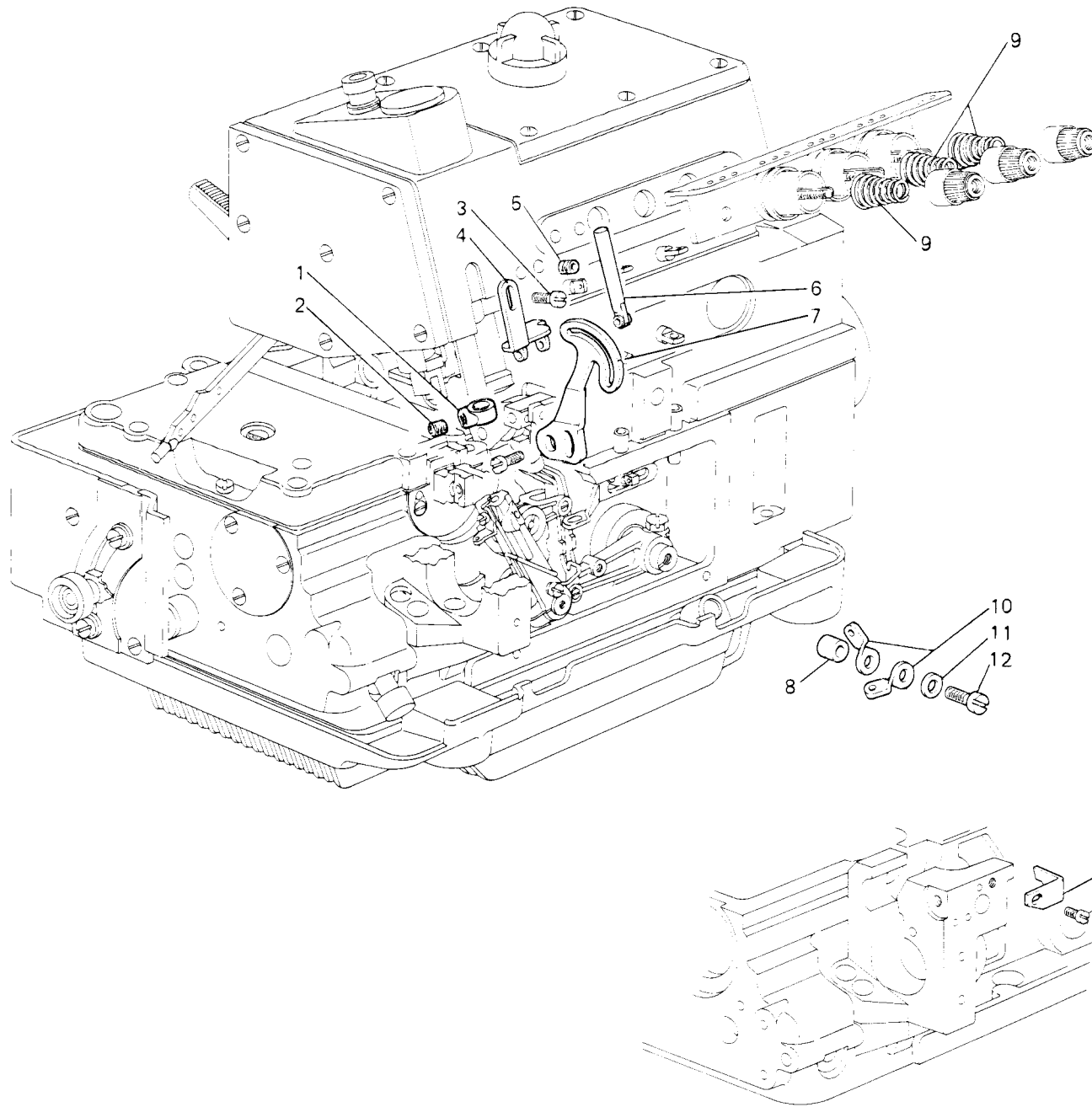


GRUPPI DI COMPOSIZIONE - COMPOSITION KITS - GROUPES DE KIT - KIT GRUPPEN - GRUPOS DE COMPOSICION

KIT CAMPIONATURA  
SETTING KIT  
KIT D'ECHANTILLONAGE  
KIT PROBEENTNAHME  
KIT DE MUESTRARIO

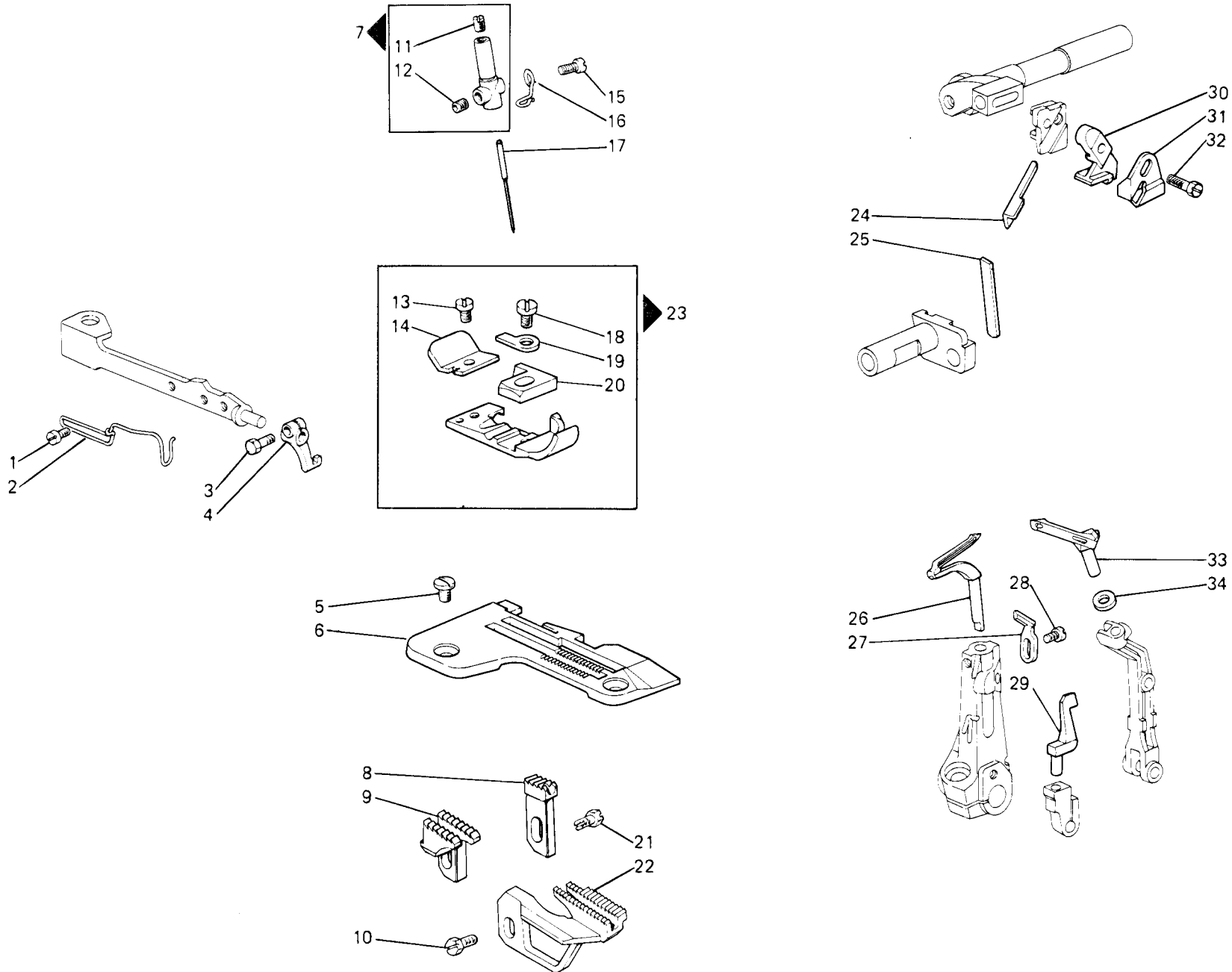
**WFS-69**

1



| Fig. N. | Part. N. Piece N. | Qt. |
|---------|-------------------|-----|
| 1       | 211125-0-00       | 1   |
| 2       | 745812-2-00       | 1   |
| 3       | 741558-0-00       | 3   |
| 4       | 211126-0-00       | 1   |
| 5       | 745810-2-00       | 1   |
| 6       | 206714-2-00       | 1   |
| 7       | 211139-0-00       | 1   |
| 8       | 211742-0-00       | 1   |
| 9       | 202227-0-10       | 3   |
| 10      | 211748-0-00       | 2   |
| 11      | 704104-2-00       | 1   |
| 12      | 722440-2-00       | 1   |
| 13      | 203380-0-10       | 1   |
| 14      | 721443-2-00       | 1   |

SEQUE  
FOLLOWS



| Fig. N. | Part. N. Piece N. | Qt. |
|---------|-------------------|-----|
| 1       | 741433-2-00       | 2   |
| 2       | 991613-0-00       | 1   |
| 3       | 204947-0-10       | 1   |
| 4       | 206810-2-00       | 1   |
| 5       | 744742-2-00       | 2   |
| 6       | 920640-0-00       | 1   |
| 7       | 207520-2-00       | 1   |
| 8       | 202061-0-10       | 1   |
| 9       | 202057-0-20       | 1   |
| 10      | 202489-0-10       | 1   |
| 11      | 727021-5-00       | 1   |
| 12      | 745810-2-00       | 1   |
| 13      | 741413-2-00       | 1   |
| 14      | 202192-0-10       | 1   |
| 15      | 741415-2-00       | 1   |
| 16      | 207540-0-00       | 1   |
| 17      | 765200-6-80       | --- |
| 18      | 741665-2-00       | 1   |
| 19      | 202201-0-11       | 1   |
| 20      | 920752-0-11       | 1   |
| 21      | 202488-0-10       | 1   |
| 22      | 202053-0-10       | 1   |
| 23      | 920751-3-12       | 1   |
| 24      | 209348-0-00       | 2   |
| 25      | 202146-0-10       | 2   |
| 26      | 209265-0-01       | 1   |
| 27      | 209261-0-00       | 1   |
| 28      | 741538-2-00       | 2   |
| 29      | 207995-0-00       | 1   |
| 30      | 207653-0-01       | 1   |
| 31      | 211137-0-00       | 1   |
| 32      | 207421-0-01       | 1   |
| 33      | 211249-0-00       | 1   |
| 34      | 211305-0-00       | 1   |

SEGUE  
FOLLOWS

**CARATTERISTICHE E FUNZIONI DEI PARTICOLARI A RICHIESTA**  
**CHARACTERISTICS AND FUNCTIONS OF REQUESTED SPARE PARTS**  
**CARACTERISTIQUES ET FONCTIONS DES REFERENCES SUR DEMANDE**  
**KENNZEICHEN UND FUNKTIONEN DER TEILE AUF ANFRAGE**  
**CARACTERISTICAS Y FUNCIONES DE LOS REPUESTOS POR SOLICITUD**

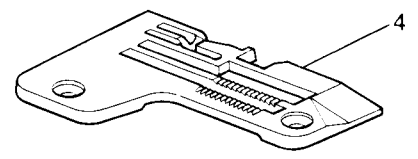
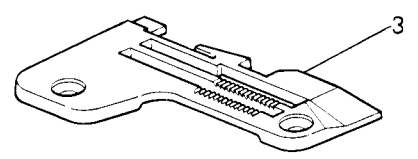
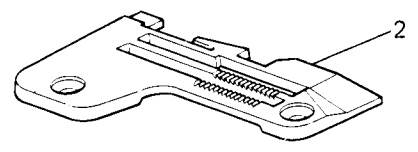
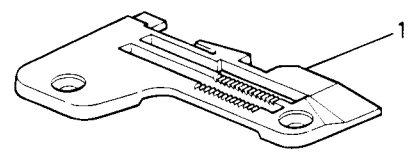
400/3

| Fig. N. | X   | Y | DESCRIZIONE | DESCRIPTION | DESCRIPTION | BENENNUNG | DESCRIPCION |
|---------|-----|---|-------------|-------------|-------------|-----------|-------------|
| 1       | 3,4 |   |             |             |             |           |             |
| 2       | 3,7 |   |             |             |             |           |             |
| 3       | 4,1 |   |             |             |             |           |             |
| 4       | 4,8 |   |             |             |             |           |             |

|          |   |                 |                    |                   |                     |               |
|----------|---|-----------------|--------------------|-------------------|---------------------|---------------|
| <b>X</b> | = | LARGHEZZA COSTA | WIDTH OF BIGHT     | LARGEUR DE SURJET | UEBERWENDLICHBREITE | ANCHO COSTURA |
| <b>Y</b> | = | PASSO/FINITURA  | DISTANCE/FINISHING | PAS/FINITION      | TEILUNG/BEHANDLUNG  | PASO/ACABADO  |
| <b>A</b> | = | ACCIAIO         | STEEL              | ACIER             | STAHL               | ACERO         |
| <b>D</b> | = | DENTATO         | TOOTHED            | DENTE             | GEZAEHNT            | DENTADO       |
| <b>G</b> | = | GOMMATA         | RUBBERED           | CAOUTCHOUTEE      | GUMMIBELEGTEN       | ENGOMADO      |
| <b>W</b> | = | WIDIA           | WIDIA              | WIDIA             | WIDIA               | WIDIA         |

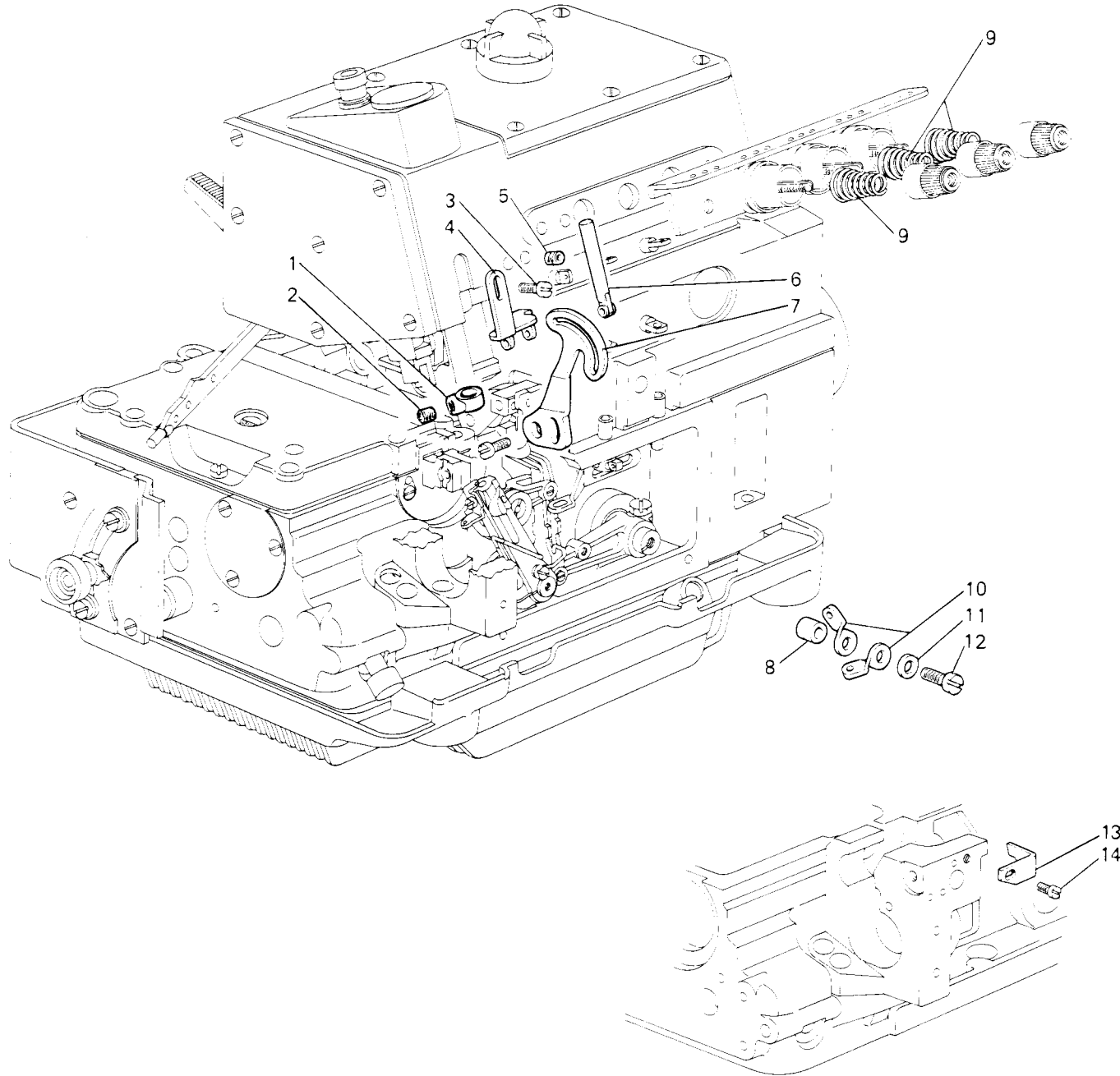
A RICHIESTA PER - ON REQUEST FOR - SUR DEMANDE POUR - AUF ANFRAGE FUER - CON SOLICITUD PARA WFS-69-400-00-0

3



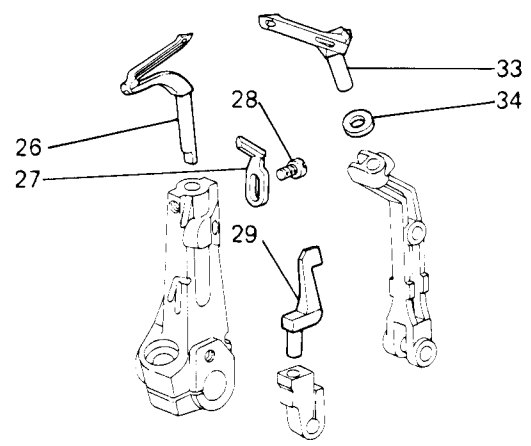
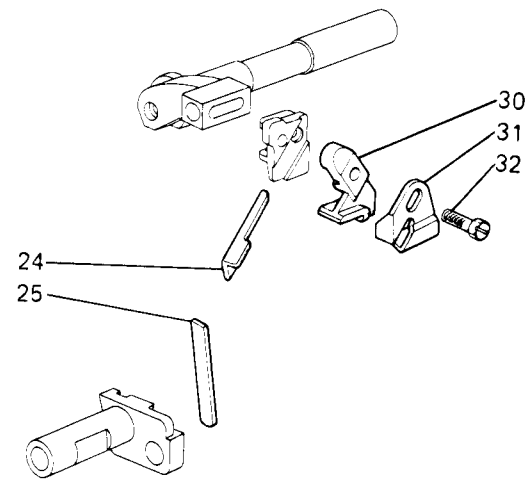
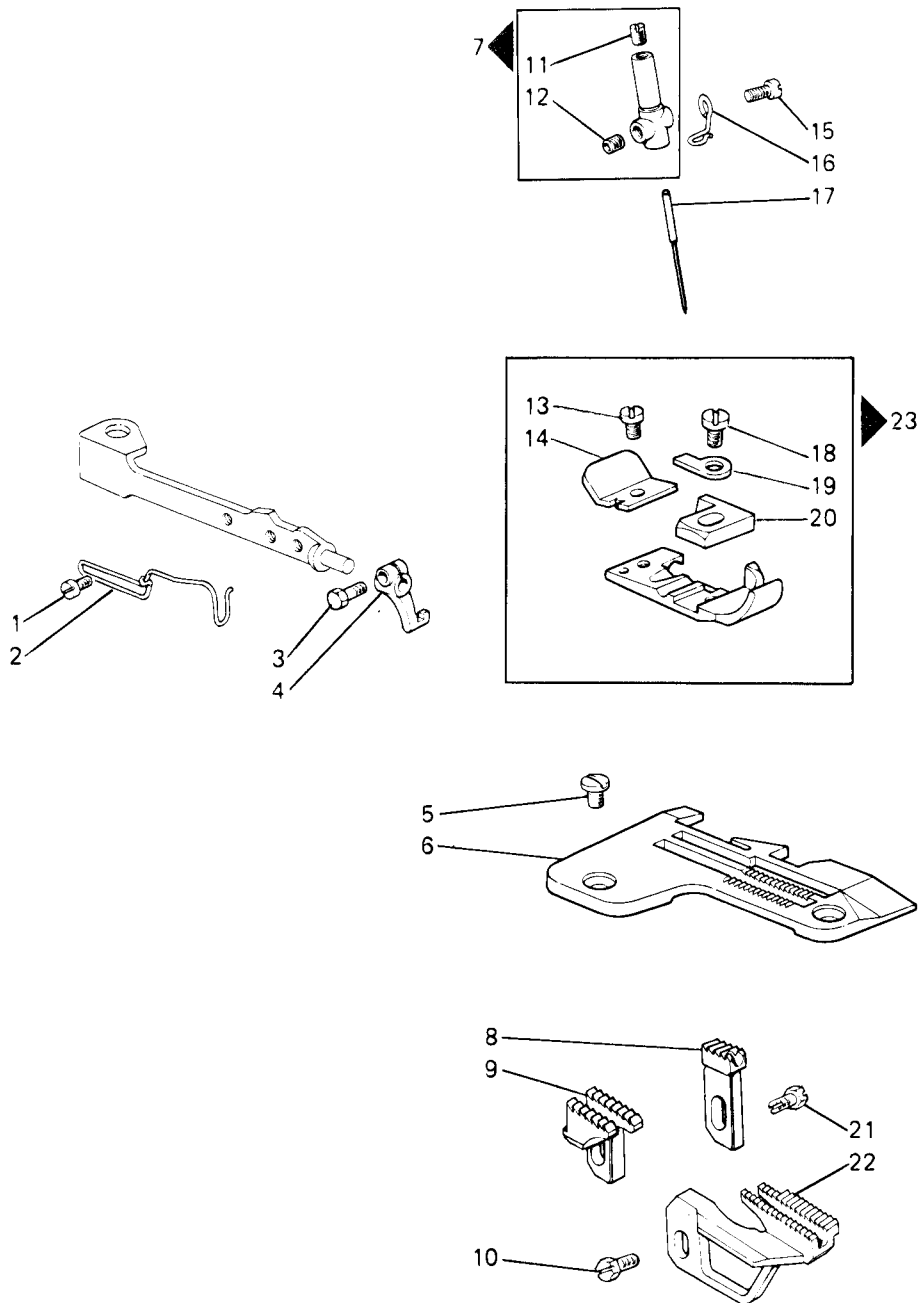
| Fig. N. | Part. N. Piece N. | Qt. |
|---------|-------------------|-----|
| 1       | 920641-0-00       | 1   |
| 2       | 920642-0-00       | 1   |
| 3       | 920643-0-00       | 1   |
| 4       | 920996-0-00       | 1   |

1



| Fig. N. | Part. N. Piece N. | Qt. |
|---------|-------------------|-----|
| 1       | 211125-0-00       | 1   |
| 2       | 745812-2-00       | 1   |
| 3       | 741558-0-00       | 3   |
| 4       | 211126-0-00       | 1   |
| 5       | 745810-2-00       | 1   |
| 6       | 206714-2-00       | 1   |
| 7       | 211139-0-00       | 1   |
| 8       | 211742-0-00       | 1   |
| 9       | 202227-0-10       | 3   |
| 10      | 211748-0-00       | 2   |
| 11      | 704104-2-00       | 1   |
| 12      | 722440-2-00       | 1   |
| 13      | 203380-0-10       | 1   |
| 14      | 721443-2-00       | 1   |

SEGUE  
FOLLOWS



SEGUE  
FOLLOWS

| Fig. N. | Part. N. Piece N. | Qt. |
|---------|-------------------|-----|
| 1       | 741433-2-00       | 2   |
| 2       | 991613-0-00       | 1   |
| 3       | 204947-0-10       | 1   |
| 4       | 206810-2-00       | 1   |
| 5       | 744742-2-00       | 2   |
| 6       | 920649-0-00       | 1   |
| 7       | 207520-2-00       | 1   |
| 8       | 202061-0-10       | 1   |
| 9       | 202057-0-20       | 1   |
| 10      | 202489-0-10       | 1   |
| 11      | 727021-5-00       | 1   |
| 12      | 745810-2-00       | 1   |
| 13      | 741413-2-00       | 1   |
| 14      | 202192-0-10       | 1   |
| 15      | 741415-2-00       | 1   |
| 16      | 207540-0-00       | 1   |
| 17      | 765200-6-80       | --- |
| 18      | 741665-2-00       | 1   |
| 19      | 202201-0-11       | 1   |
| 20      | 920752-0-11       | 1   |
| 21      | 202488-0-10       | 1   |
| 22      | 203199-0-10       | 1   |
| 23      | 920751-3-12       | 1   |
| 24      | 209348-0-00       | 2   |
| 25      | 202146-0-10       | 2   |
| 26      | 209264-0-01       | 1   |
| 27      | 209261-0-00       | 1   |
| 28      | 741538-2-00       | 2   |
| 29      | 207995-0-00       | 1   |
| 30      | 207653-0-01       | 1   |
| 31      | 211137-0-00       | 1   |
| 32      | 207421-0-01       | 1   |
| 33      | 211248-0-00       | 1   |
| 34      | 211305-0-00       | 1   |

**CARATTERISTICHE E FUNZIONI DEI PARTICOLARI A RICHIESTA**  
**CHARACTERISTICS AND FUNCTIONS OF REQUESTED SPARE PARTS**  
**CARACTERISTIQUES ET FONCTIONS DES REFERENCES SUR DEMANDE**  
**KENNZEICHEN UND FUNKTIONEN DER TEILE AUF ANFRAGE**  
**CARACTERISTICAS Y FUNCIONES DE LOS REPUESTOS POR SOLICITUD**

402/3

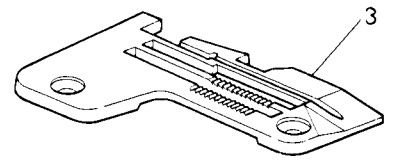
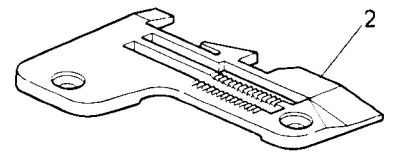
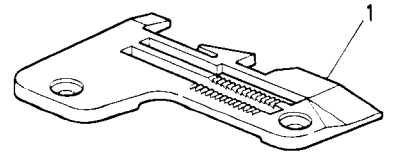
| Fig. N. | X   | Y | DESCRIZIONE | DESCRIPTION | DESCRIPTION | BENENNUNG | DESCRIPCION |
|---------|-----|---|-------------|-------------|-------------|-----------|-------------|
| 1       | 2,4 |   |             |             |             |           |             |
| 2       | 4   |   |             |             |             |           |             |
| 3       | 5   |   |             |             |             |           |             |

|          |   |                 |                    |                   |                     |               |
|----------|---|-----------------|--------------------|-------------------|---------------------|---------------|
| <b>X</b> | = | LARGHEZZA COSTA | WIDTH OF BIGHT     | LARGEUR DE SURJET | UEBERWENDLICHBREITE | ANCHO COSTURA |
| <b>Y</b> | = | PASSO/FINITURA  | DISTANCE/FINISHING | PAS/FINITION      | TEILUNG/BEHANDLUNG  | PASO/ACABADO  |
| <b>A</b> | = | ACCIAIO         | STEEL              | ACIER             | STAHL               | ACERO         |
| <b>D</b> | = | DENTATO         | TOOTHED            | DENTE             | GEZAEHNT            | DENTADO       |
| <b>G</b> | = | GOMMATA         | RUBBERED           | CAOUTCHOUTEE      | GUMMIBELEGTEN       | ENGOMADO      |
| <b>W</b> | = | WIDIA           | WIDIA              | WIDIA             | WIDIA               | WIDIA         |



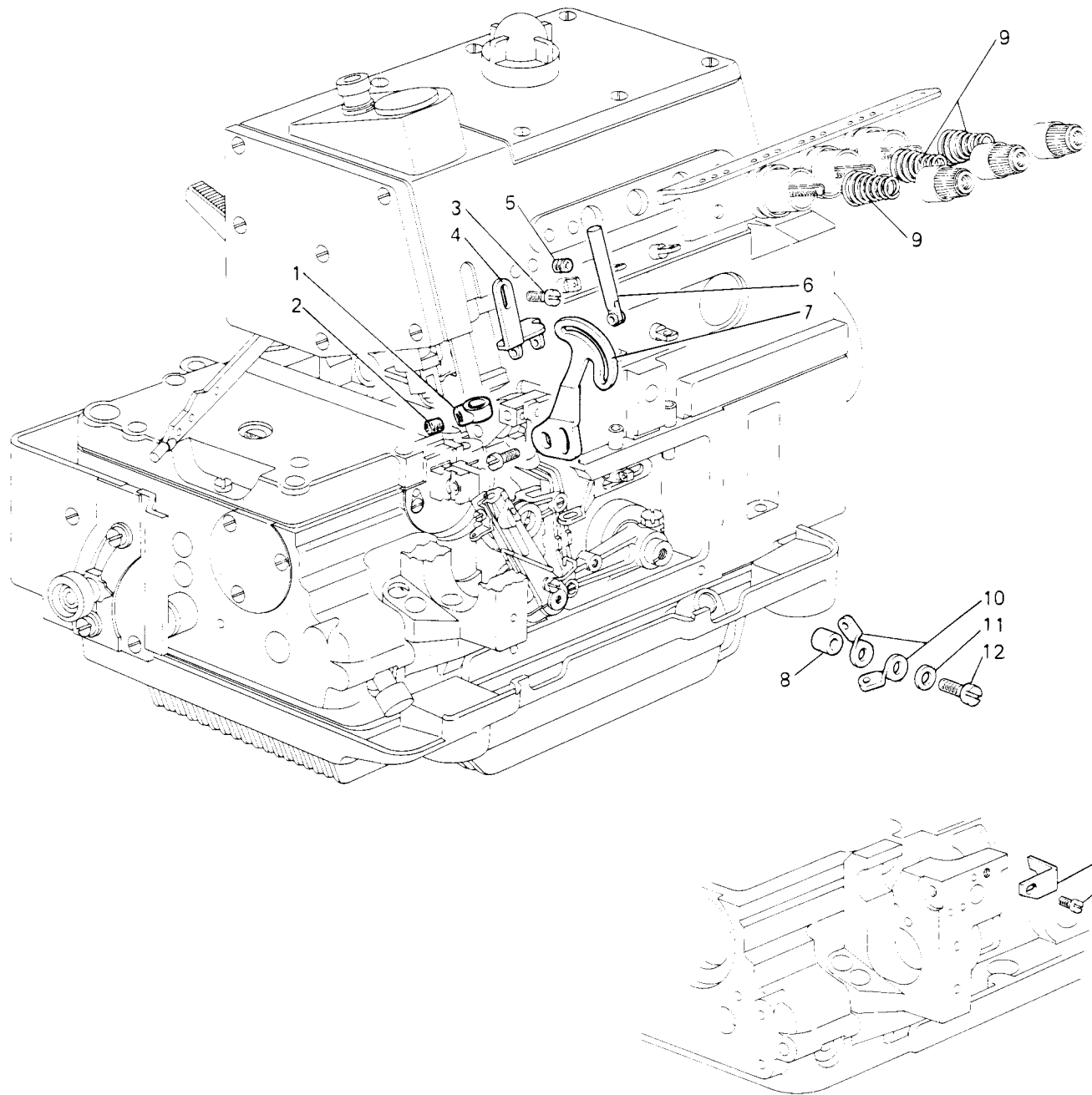
A RICHIESTA PER - ON REQUEST FOR - SUR DEMANDE POUR - AUF ANFRAGE FUER - CON SOLICITUD PARA WFS-69-402-00-0

3



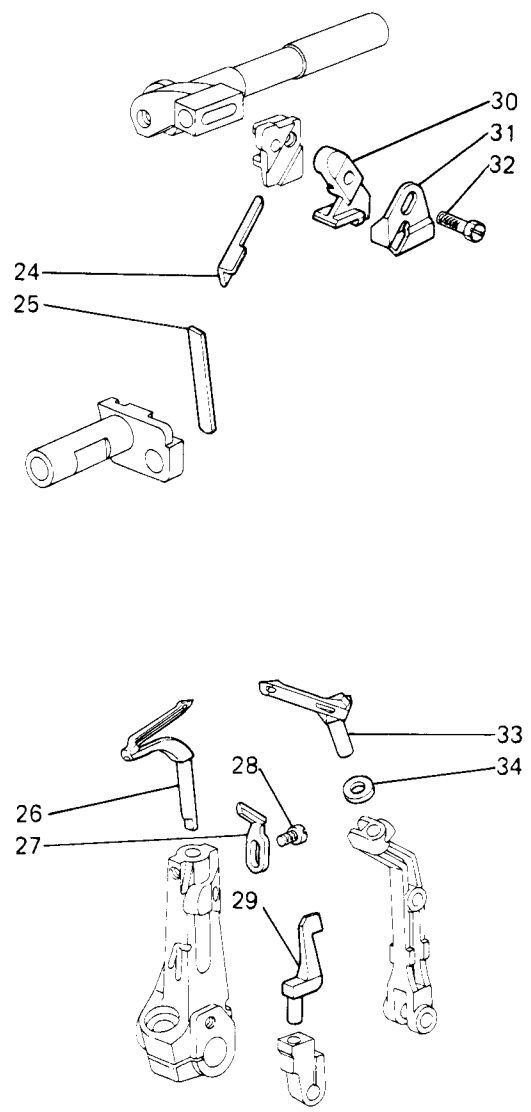
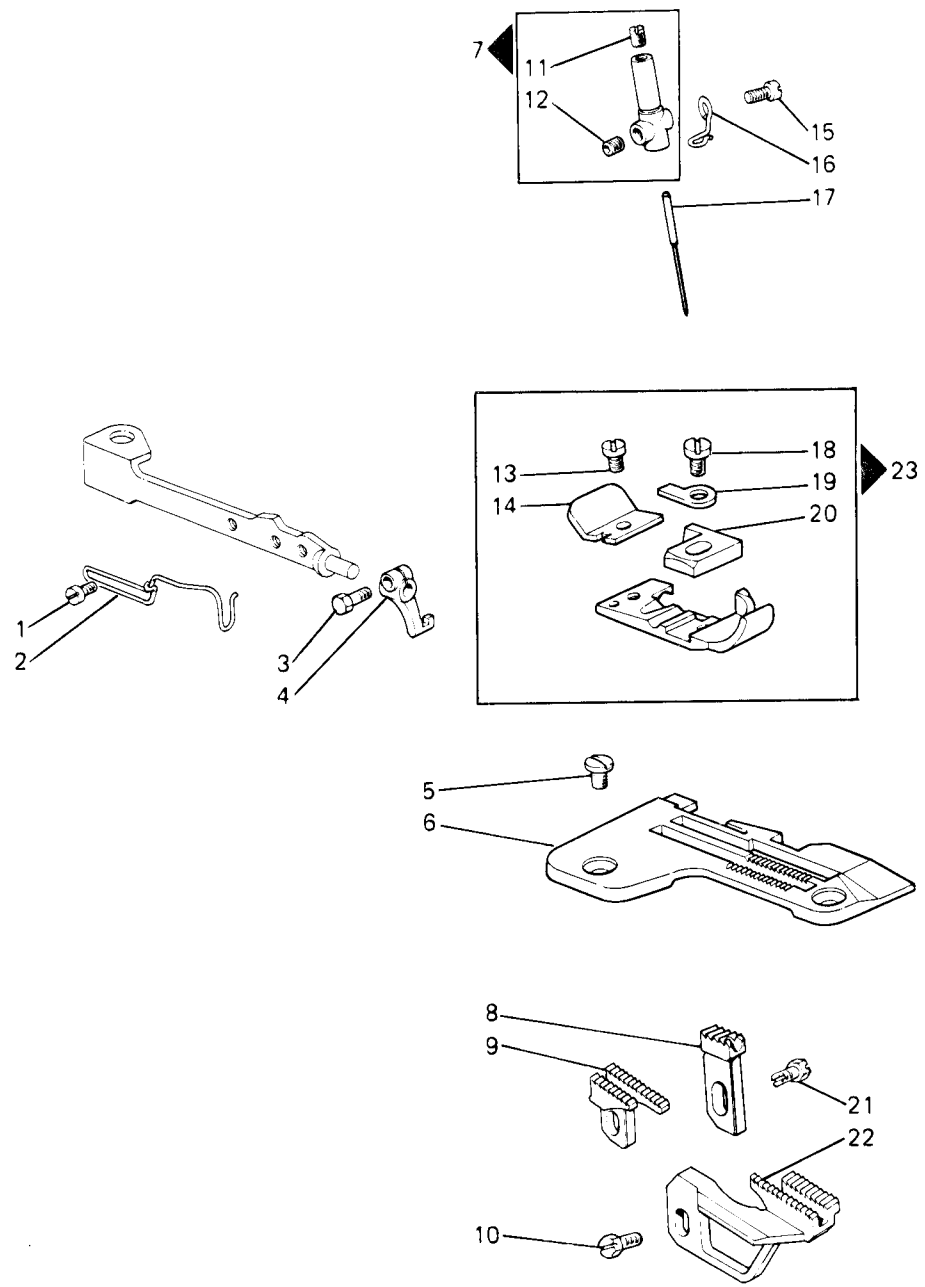
| Fig. N. | Part. N. Piece N. | Qt. |
|---------|-------------------|-----|
| 1       | 920648-0-00       | 1   |
| 2       | 920650-0-00       | 1   |
| 3       | 933500-0-00       | 1   |

1



| Fig. N. | Part. N. Piece N. | Qt. |
|---------|-------------------|-----|
| 1       | 211125-0-00       | 1   |
| 2       | 745812-2-00       | 1   |
| 3       | 741558-0-00       | 3   |
| 4       | 211126-0-00       | 1   |
| 5       | 745810-2-00       | 1   |
| 6       | 206714-2-00       | 1   |
| 7       | 211139-0-00       | 1   |
| 8       | 211742-0-00       | 1   |
| 9       | 202227-0-10       | 3   |
| 10      | 211748-0-00       | 2   |
| 11      | 704104-2-00       | 1   |
| 12      | 722440-2-00       | 1   |
| 13      | 203380-0-10       | 1   |
| 14      | 721443-2-00       | 1   |

SEGUE  
FOLLOWS



SEGUE  
FOLLOWS

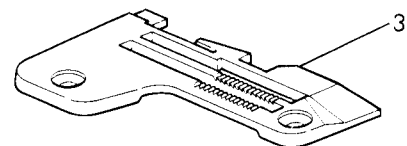
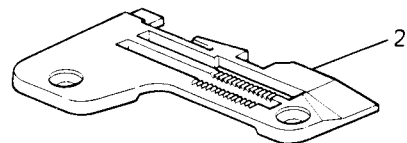
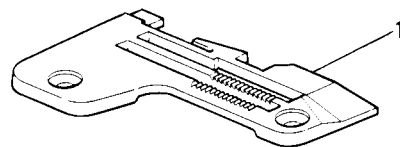
| Fig. N. | Part. N. / Piece N. | Qt. |
|---------|---------------------|-----|
| 1       | 741433-2-00         | 2   |
| 2       | 991613-0-00         | 1   |
| 3       | 204947-0-10         | 1   |
| 4       | 206810-2-00         | 1   |
| 5       | 744742-2-00         | 2   |
| 6       | 920640-0-00         | 1   |
| 7       | 207520-2-00         | 1   |
| 8       | 202061-0-10         | 1   |
| 9       | 207079-0-00         | 1   |
| 10      | 202489-0-10         | 1   |
| 11      | 727021-5-00         | 1   |
| 12      | 745810-2-00         | 1   |
| 13      | 741413-2-00         | 1   |
| 14      | 202192-0-10         | 1   |
| 15      | 741415-2-00         | 1   |
| 16      | 207540-0-00         | 1   |
| 17      | 765200-6-90         | --- |
| 18      | 741665-2-00         | 1   |
| 19      | 202201-0-11         | 1   |
| 20      | 920752-0-11         | 1   |
| 21      | 202488-0-10         | 1   |
| 22      | 207077-0-00         | 1   |
| 23      | 920751-3-12         | 1   |
| 24      | 209350-0-00         | 2   |
| 25      | 202146-0-10         | 2   |
| 26      | 209265-0-01         | 1   |
| 27      | 209261-0-00         | 1   |
| 28      | 741538-2-00         | 2   |
| 29      | 207995-0-00         | 1   |
| 30      | 207653-0-01         | 1   |
| 31      | 211137-0-00         | 1   |
| 32      | 207421-0-01         | 1   |
| 33      | 211249-0-00         | 1   |
| 34      | 211305-0-00         | 1   |

**CARATTERISTICHE E FUNZIONI DEI PARTICOLARI A RICHIESTA**  
**CHARACTERISTICS AND FUNCTIONS OF REQUESTED SPARE PARTS**  
**CARACTERISTIQUES ET FONCTIONS DES REFERENCES SUR DEMANDE**  
**KENNZEICHEN UND FUNKTIONEN DER TEILE AUF ANFRAGE**  
**CARACTERISTICAS Y FUNCIONES DE LOS REPUESTOS POR SOLICITUD**

403/3

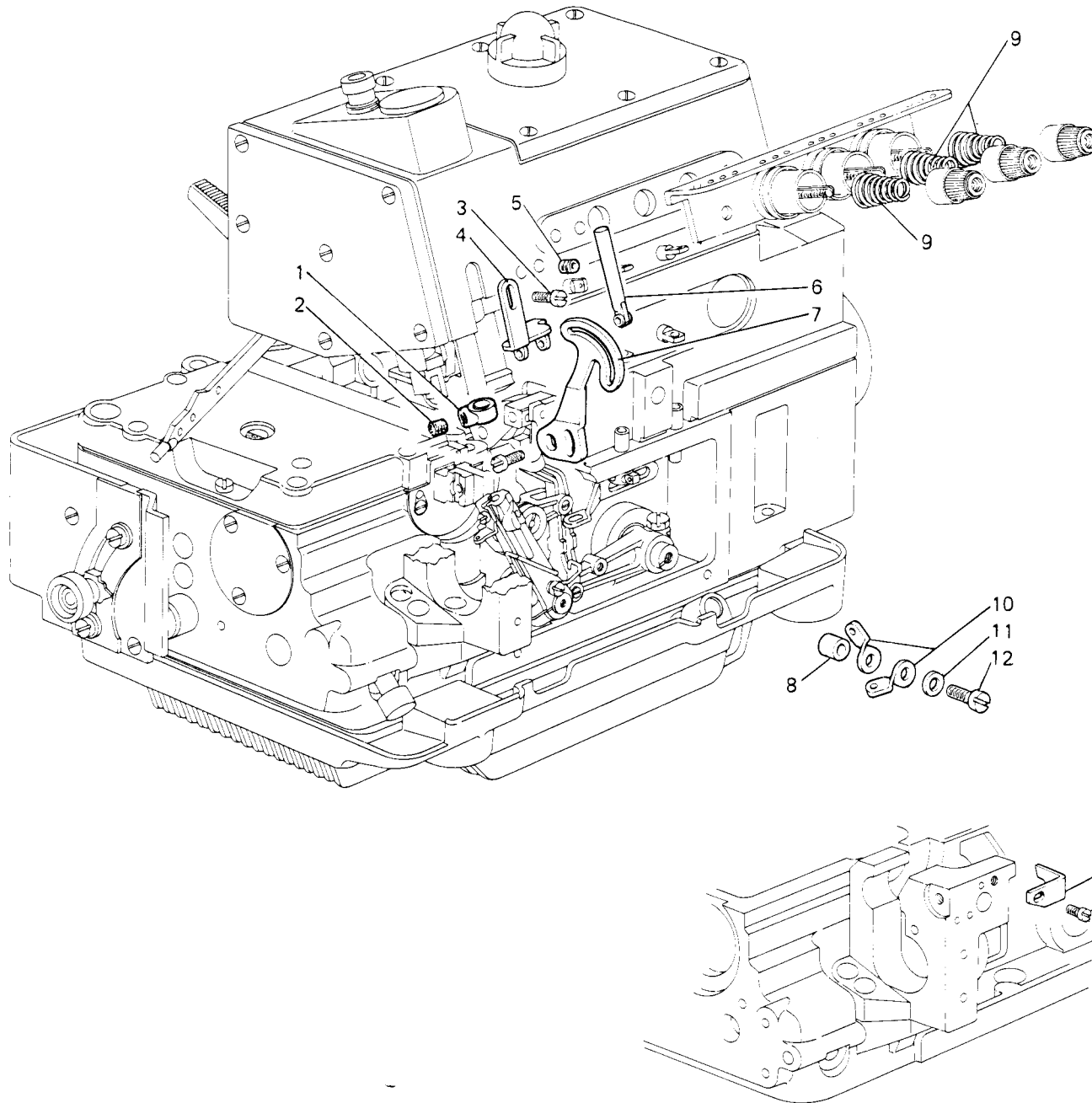
| Fig. N. | X   | Y | DESCRIZIONE | DESCRIPTION | DESCRIPTION | BENENNUNG | DESCRIPCION |
|---------|-----|---|-------------|-------------|-------------|-----------|-------------|
| 1       | 3,4 |   |             |             |             |           |             |
| 2       | 3,7 |   |             |             |             |           |             |
| 3       | 4,1 |   |             |             |             |           |             |

|          |   |                 |                    |                   |                     |               |
|----------|---|-----------------|--------------------|-------------------|---------------------|---------------|
| <b>X</b> | = | LARGHEZZA COSTA | WIDTH OF BIGHT     | LARGEUR DE SURJET | UEBERWENDLICHBREITE | ANCHO COSTURA |
| <b>Y</b> | = | PASSO/FINITURA  | DISTANCE/FINISHING | PAS/FINITION      | TEILUNG/BEHANDLUNG  | PASO/ACABADO  |
| <b>A</b> | = | ACCIAIO         | STEEL              | ACIER             | STAHL               | ACERO         |
| <b>D</b> | = | DENTATO         | TOOTHED            | DENTE             | GEZAEHNT            | DENTADO       |
| <b>G</b> | = | GOMMATA         | RUBBERED           | CAOUTCHOUTEE      | GUMMIBELEGTEN       | ENGOMADO      |
| <b>W</b> | = | WIDIA           | WIDIA              | WIDIA             | WIDIA               | WIDIA         |



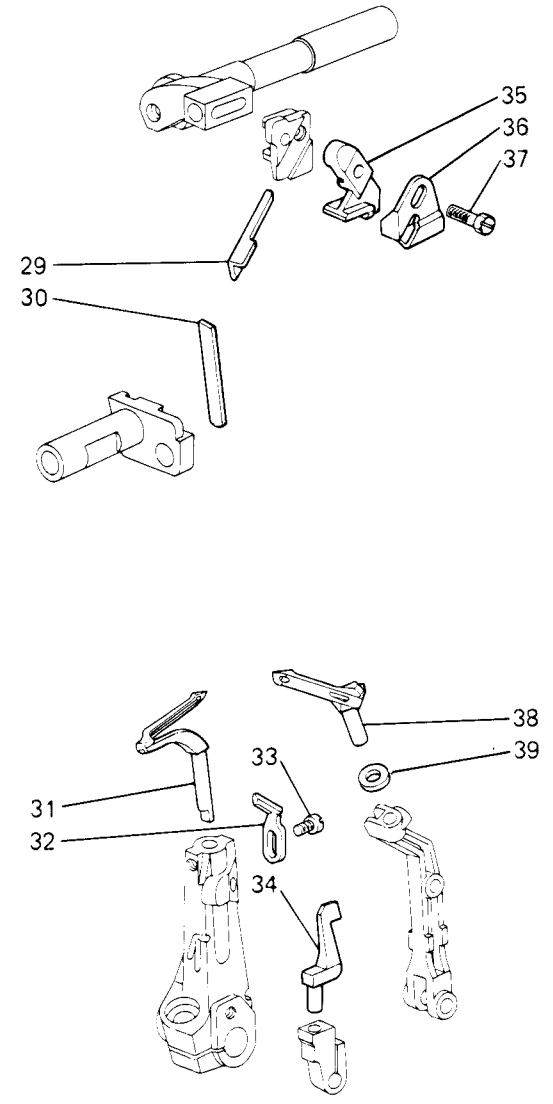
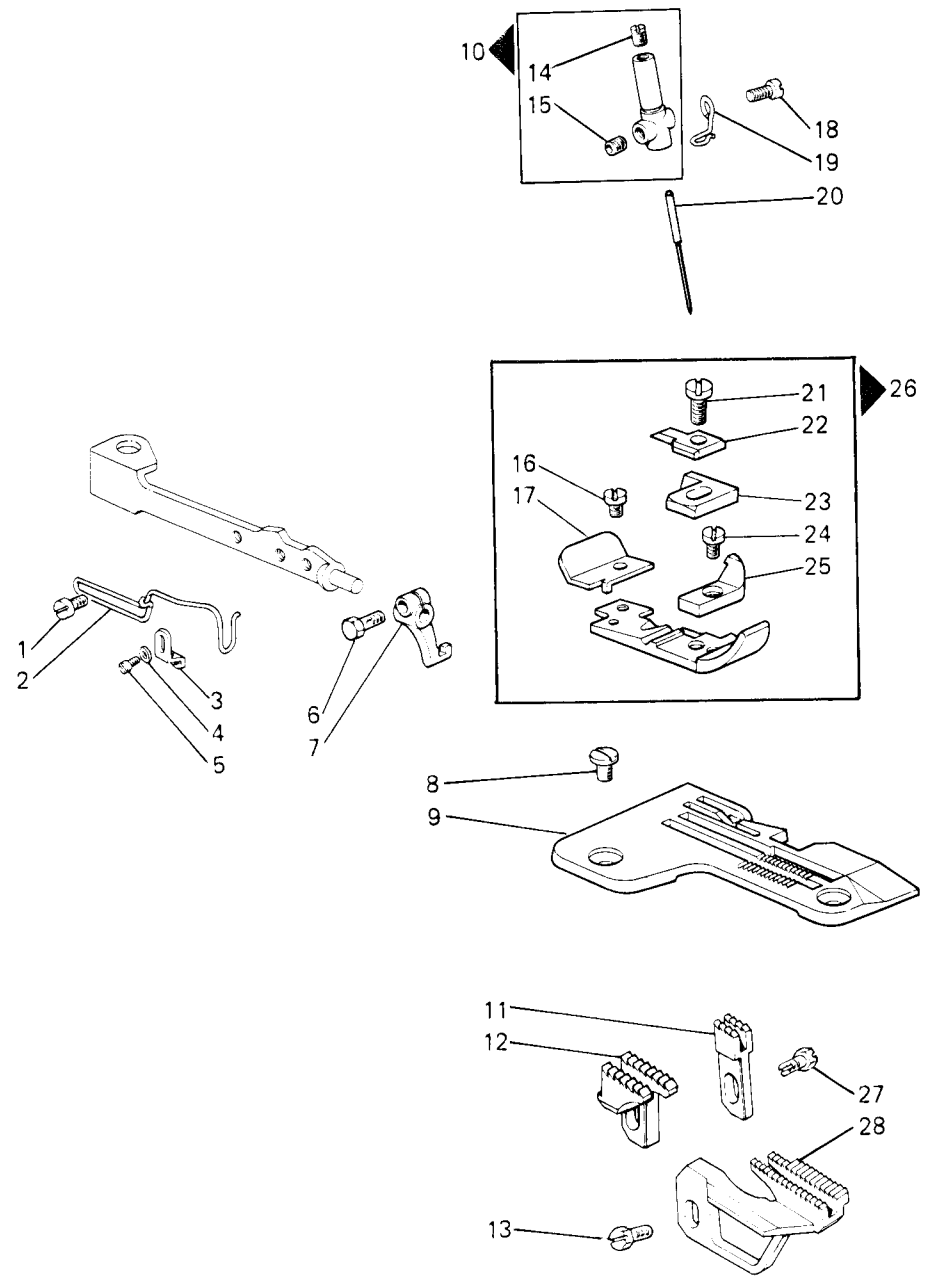
| Fig. N. | Part. N. Piece N. | Qt. |
|---------|-------------------|-----|
| 1       | 920641-0-00       | 1   |
| 2       | 920642-0-00       | 1   |
| 3       | 920643-0-00       | 1   |

1



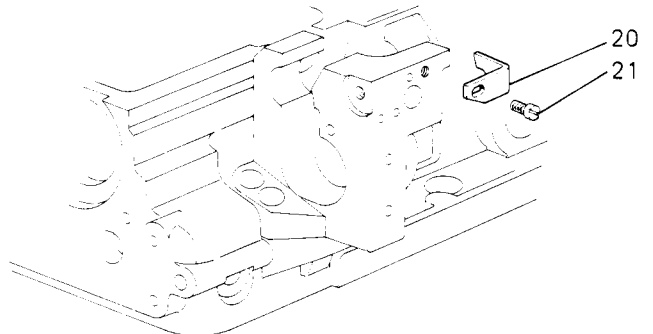
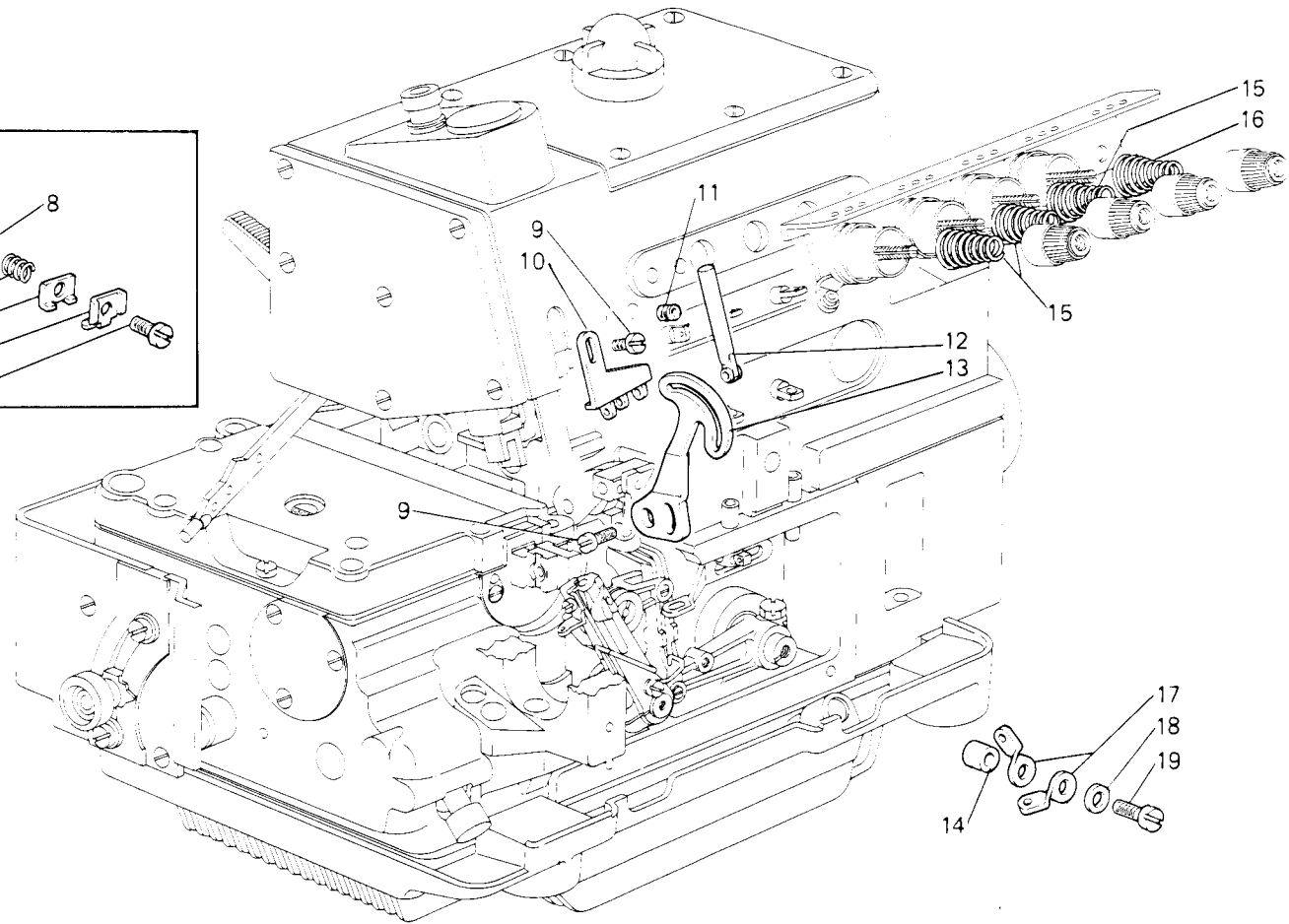
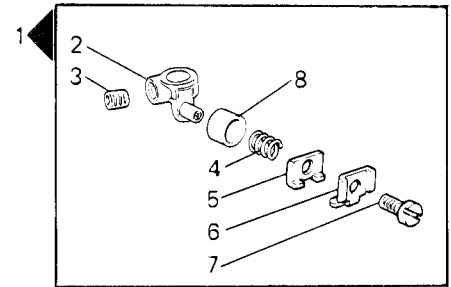
| Fig. N. | Part. N. Piece N. | Qt. |
|---------|-------------------|-----|
| 1       | 211125-0-00       | 1   |
| 2       | 745812-2-00       | 1   |
| 3       | 741558-0-00       | 3   |
| 4       | 211126-0-00       | 1   |
| 5       | 745810-2-00       | 1   |
| 6       | 206714-2-00       | 1   |
| 7       | 211139-0-00       | 1   |
| 8       | 211742-0-00       | 1   |
| 9       | 202227-0-10       | 3   |
| 10      | 211748-0-00       | 2   |
| 11      | 704104-2-00       | 1   |
| 12      | 722440-2-00       | 1   |
| 13      | 203380-0-10       | 1   |
| 14      | 721443-2-00       | 1   |

SEGUE  
FOLLOWS



| Fig. N. | Part. N. Piece N. | Qt. |
|---------|-------------------|-----|
| 1       | 741433-2-00       | 2   |
| 2       | 991611-0-00       | 1   |
| 3       | 206771-0-12       | 1   |
| 4       | 704004-0-00       | 1   |
| 5       | 741658-2-00       | 1   |
| 6       | 204947-0-10       | 1   |
| 7       | 206810-2-00       | 1   |
| 8       | 744742-2-00       | 2   |
| 9       | 920654-0-00       | 1   |
| 10      | 207520-2-00       | 1   |
| 11      | 202609-0-20       | 1   |
| 12      | 202057-0-20       | 1   |
| 13      | 202489-0-10       | 1   |
| 14      | 727021-5-00       | 1   |
| 15      | 745810-2-00       | 1   |
| 16      | 741413-2-00       | 1   |
| 17      | 203025-0-10       | 1   |
| 18      | 741415-2-00       | 1   |
| 19      | 207540-0-00       | 1   |
| 20      | 765205-6-70       | --- |
| 21      | 741675-2-00       | 1   |
| 22      | 203772-0-11       | 1   |
| 23      | 920752-0-11       | 1   |
| 24      | 741431-0-00       | 1   |
| 25      | 202184-0-11       | 1   |
| 26      | 920795-3-11       | 1   |
| 27      | 202488-0-10       | 1   |
| 28      | 203199-0-10       | 1   |
| 29      | 209347-0-00       | 1   |
| 30      | 207015-2-00       | 1   |
| 31      | 209264-0-01       | 1   |
| 32      | 209261-0-00       | 1   |
| 33      | 741538-2-00       | 2   |
| 34      | 207995-0-00       | 1   |
| 35      | 207653-0-01       | 1   |
| 36      | 211137-0-00       | 1   |
| 37      | 207421-0-01       | 1   |
| 38      | 211248-0-00       | 1   |
| 39      | 211305-0-00       | 1   |

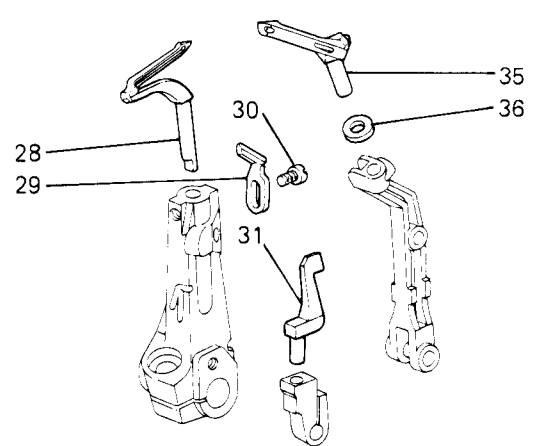
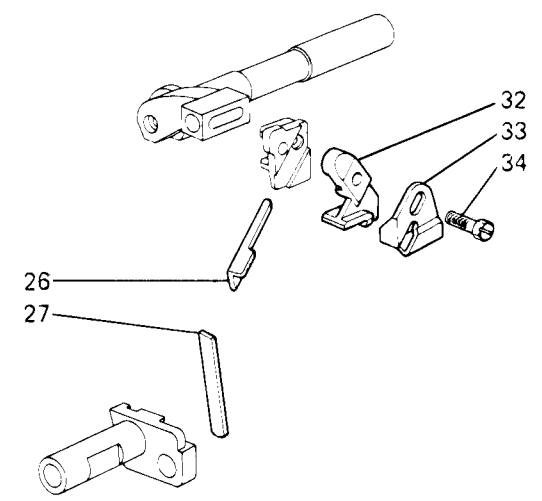
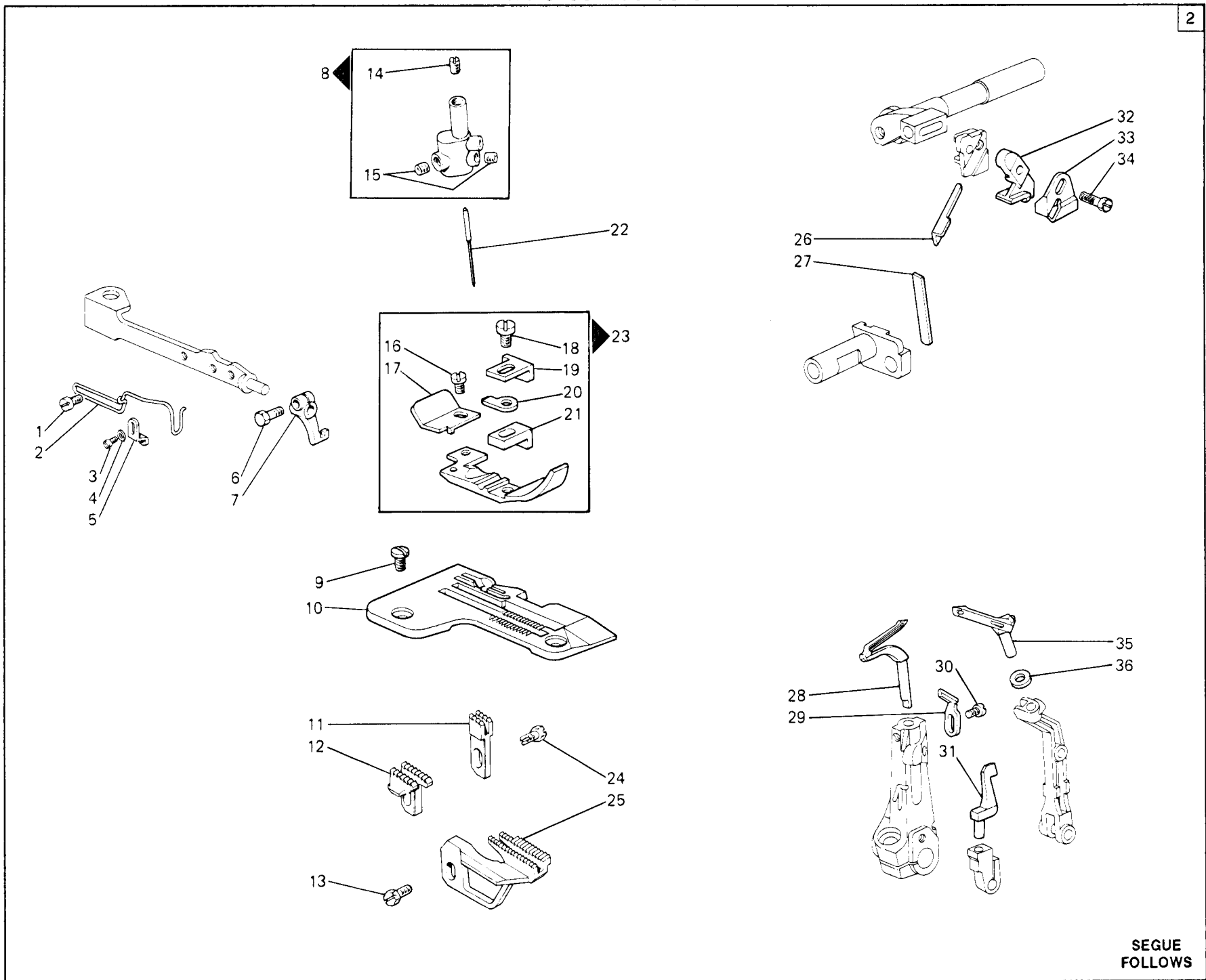
1



| Fig. N. | Part. N. Piece N. | Qt. |
|---------|-------------------|-----|
| 1       | 211163-4-00       | 1   |
| 2       | 211130-0-00       | 1   |
| 3       | 745812-2-00       | 1   |
| 4       | 209159-0-00       | 1   |
| 5       | 209171-0-00       | 1   |
| 6       | 211162-0-00       | 1   |
| 7       | 741634-2-00       | 1   |
| 8       | 209068-0-00       | 1   |
| 9       | 741558-0-00       | 3   |
| 10      | 211164-0-00       | 1   |
| 11      | 745810-2-00       | 1   |
| 12      | 206714-2-00       | 1   |
| 13      | 211139-0-00       | 1   |
| 14      | 211742-0-00       | 1   |
| 15      | 202227-0-10       | 3   |
| 16      | 202681-0-10       | 1   |
| 17      | 211748-0-00       | 2   |
| 18      | 704104-2-00       | 1   |
| 19      | 722440-2-00       | 1   |
| 20      | 203380-0-10       | 1   |
| 21      | 721443-2-00       | 1   |

SEGUE  
FOLLOWS





SEGUE  
FOLLOWS

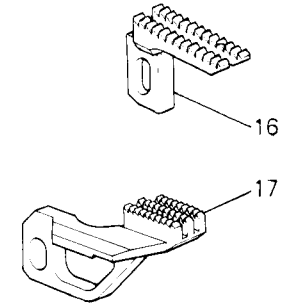
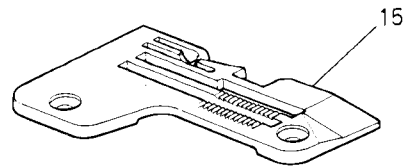
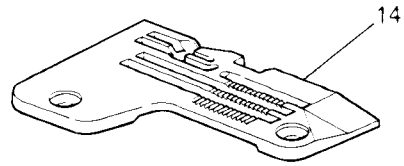
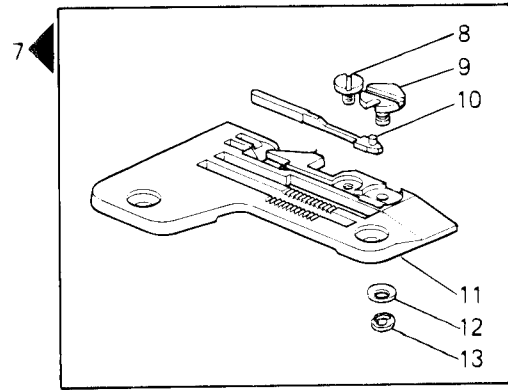
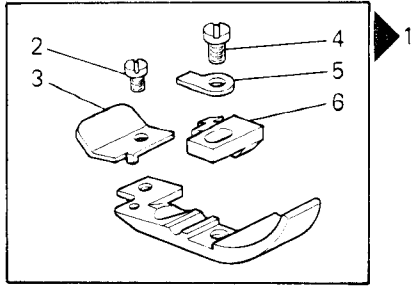
| Fig. N. | Part. N. / Piece N. | Qt. |
|---------|---------------------|-----|
| 1       | 741433-2-00         | 2   |
| 2       | 991611-0-00         | 1   |
| 3       | 741658-2-00         | 1   |
| 4       | 704004-0-00         | 1   |
| 5       | 206771-0-12         | 1   |
| 6       | 204947-0-10         | 1   |
| 7       | 206810-2-00         | 1   |
| 8       | 208561-2-10         | 1   |
| 9       | 744742-2-00         | 2   |
| 10      | 921162-0-00         | 1   |
| 11      | 202609-0-20         | 1   |
| 12      | 202057-0-10         | 1   |
| 13      | 202489-0-10         | 1   |
| 14      | 727021-0-00         | 1   |
| 15      | 745810-2-00         | 2   |
| 16      | 741413-2-00         | 1   |
| 17      | 203025-0-10         | 1   |
| 18      | 741675-2-00         | 1   |
| 19      | 209063-0-00         | 1   |
| 20      | 202201-0-11         | 1   |
| 21      | 209062-0-00         | 1   |
| 22      | 765200-6-70         | --- |
| 23      | 920962-3-10         | 1   |
| 24      | 202488-0-10         | 1   |
| 25      | 203199-0-10         | 1   |
| 26      | 209356-0-00         | 2   |
| 27      | 203012-0-10         | 2   |
| 28      | 209264-0-01         | 1   |
| 29      | 209261-0-00         | 1   |
| 30      | 741538-2-00         | 2   |
| 31      | 211149-0-00         | 1   |
| 32      | 207653-0-01         | 1   |
| 33      | 211137-0-00         | 1   |
| 34      | 207421-0-01         | 1   |
| 35      | 211248-0-00         | 1   |
| 36      | 211305-0-00         | 1   |

CARATTERISTICHE E FUNZIONI DEI PARTICOLARI A RICHIESTA  
 CHARACTERISTICS AND FUNCTIONS OF REQUESTED SPARE PARTS  
 CARACTERISTIQUES ET FONCTIONS DES REFERENCES SUR DEMANDE  
 KENNZEICHEN UND FUNKTIONEN DER TEILE AUF ANFRAGE  
 CARACTERISTICAS Y FUNCIONES DE LOS REPUESTOS POR SOLICITUD

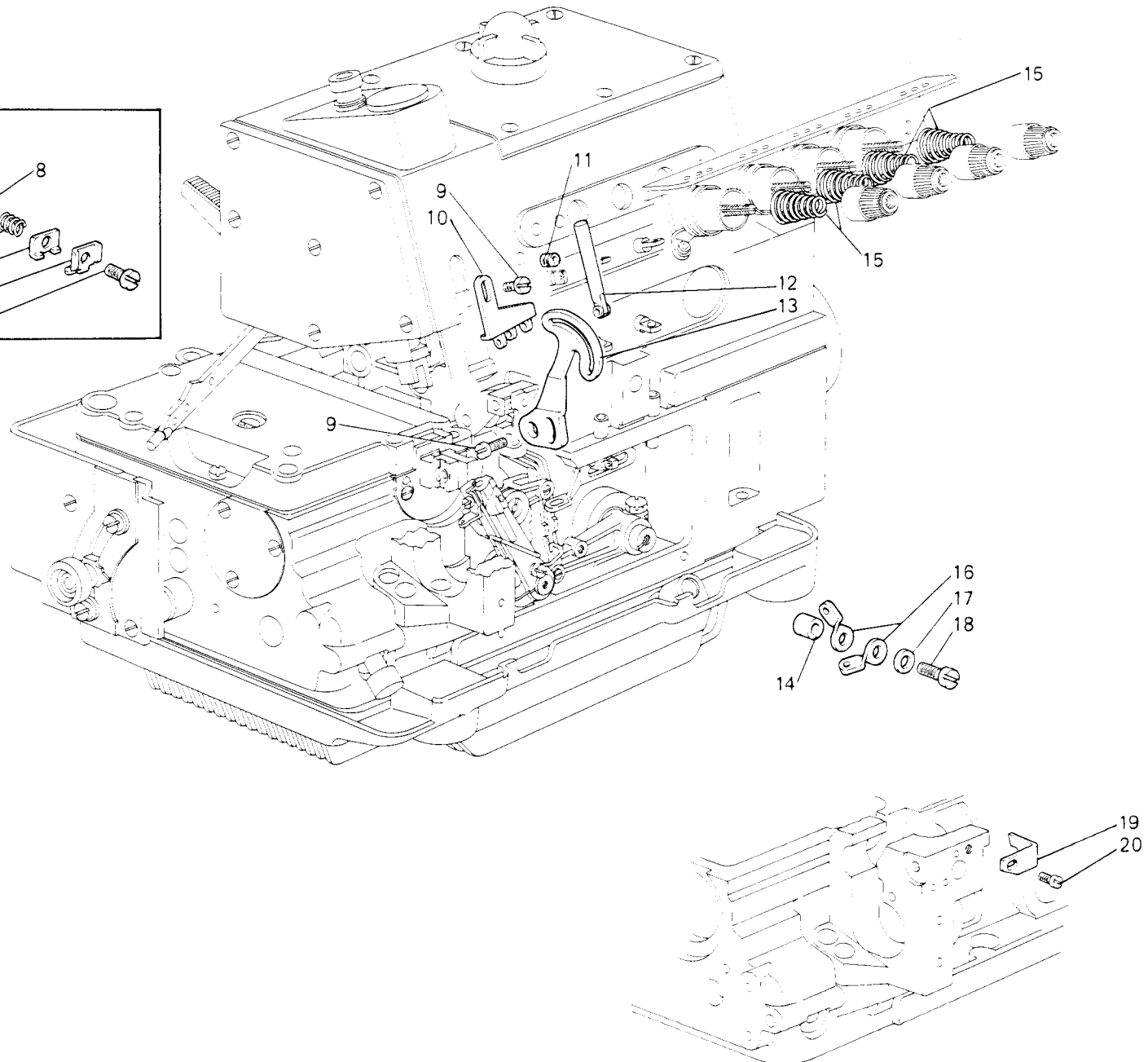
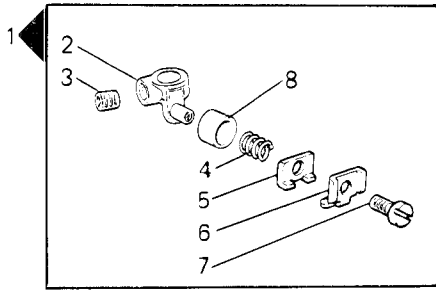
416/3

| Fig. N. | X   | Y   | DESCRIZIONE | DESCRIPTION | DESCRIPTION | BENENNUNG | DESCRIPCION |
|---------|-----|-----|-------------|-------------|-------------|-----------|-------------|
| 7       | 6   |     |             |             |             |           |             |
| 14      | 5,5 |     |             |             |             |           |             |
| 15      | 3,3 |     |             |             |             |           |             |
| 16      |     | 1,5 |             |             |             |           |             |
| 17      |     | 1,5 |             |             |             |           |             |

|   |   |                 |                    |                   |                     |               |
|---|---|-----------------|--------------------|-------------------|---------------------|---------------|
| X | = | LARGHEZZA COSTA | WIDTH OF BIGHT     | LARGEUR DE SURJET | UEBERWENDLICHBREITE | ANCHO COSTURA |
| Y | = | PASSO/FINITURA  | DISTANCE/FINISHING | PAS/FINITION      | TEILUNG/BEHANDLUNG  | PASO/ACABADO  |
| A | = | ACCIAIO         | STEEL              | ACIER             | STAHL               | ACERO         |
| D | = | DENTATO         | TOOTHED            | DENTE             | GEZAEHNT            | DENTADO       |
| G | = | GOMMATA         | RUBBERED           | CAOUTCHOUTEE      | GUMMIBELEGTEN       | ENGOMADO      |
| W | = | WIDIA           | WIDIA              | WIDIA             | WIDIA               | WIDIA         |

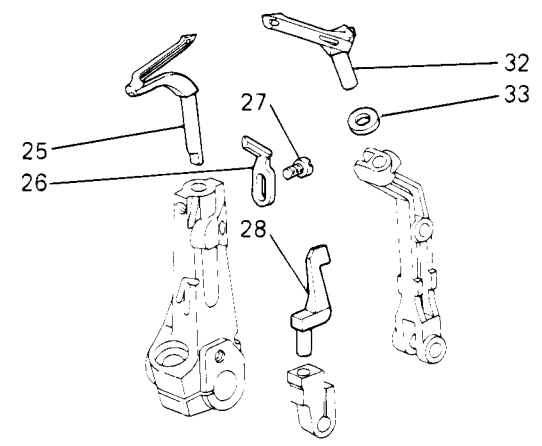
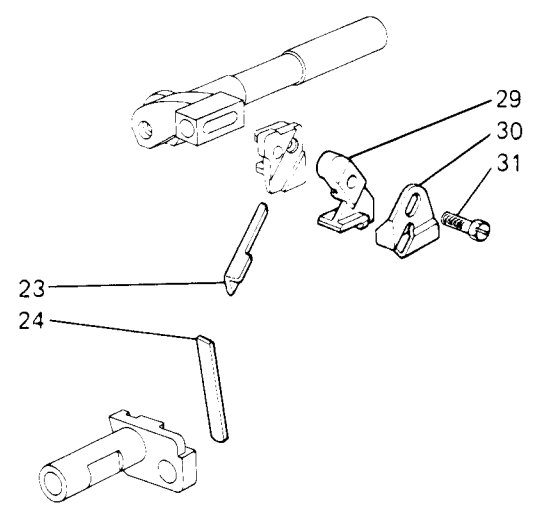
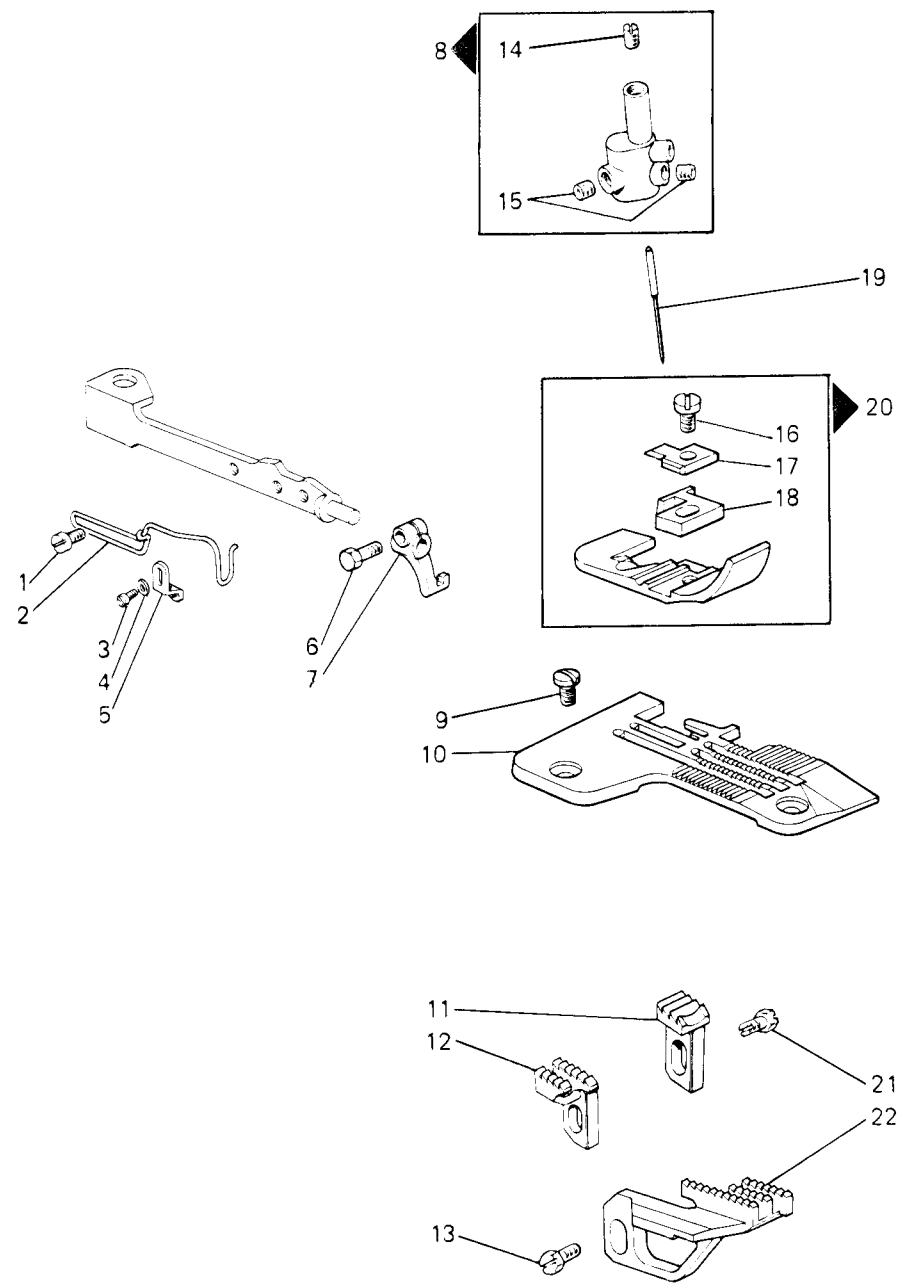


| Fig. N. | Part. N. / Piece N. | Qt. |
|---------|---------------------|-----|
| 1       | 921191-3-00         | 1   |
| 2       | 741413-2-00         | 1   |
| 3       | 203025-0-10         | 1   |
| 4       | 741665-2-00         | 1   |
| 5       | 202201-0-11         | 1   |
| 6       | 921193-0-00         | 1   |
| 7       | 920955-4-01         | 1   |
| 8       | 920954-0-00         | 1   |
| 9       | 920995-0-10         | 1   |
| 10      | 920994-2-00         | 1   |
| 11      | 920993-0-00         | 1   |
| 12      | 350106-0-00         | 1   |
| 13      | 700205-0-00         | 1   |
| 14      | 921188-0-00         | 1   |
| 15      | 921163-0-00         | 1   |
| 16      | 210192-0-00         | 1   |
| 17      | 921189-0-00         | 1   |
| 18      | 202146-0-10         | 1   |
| 19      | 209348-0-00         | 1   |



| Fig. N. | Part. N. Piece N. | Qt. |
|---------|-------------------|-----|
| 1       | 211163-4-00       | 1   |
| 2       | 211130-0-00       | 1   |
| 3       | 745812-2-00       | 1   |
| 4       | 209159-0-00       | 1   |
| 5       | 209171-0-00       | 1   |
| 6       | 211162-0-00       | 1   |
| 7       | 741634-2-00       | 1   |
| 8       | 209068-0-00       | 1   |
| 9       | 741558-0-00       | 3   |
| 10      | 211164-0-00       | 1   |
| 11      | 745810-2-00       | 1   |
| 12      | 206714-2-00       | 1   |
| 13      | 211139-0-00       | 1   |
| 14      | 211742-0-00       | 1   |
| 15      | 202227-0-10       | 4   |
| 16      | 211748-0-00       | 2   |
| 17      | 704104-2-00       | 1   |
| 18      | 722440-2-00       | 1   |
| 19      | 203380-0-10       | 1   |
| 20      | 721443-2-00       | 1   |

SEGUE  
FOLLOWS



SEGUE  
FOLLOWS

| Fig. N. | Part. N. Piece N. | Qt. |
|---------|-------------------|-----|
| 1       | 741433-2-00       | 2   |
| 2       | 991611-0-00       | 1   |
| 3       | 741658-2-00       | 1   |
| 4       | 704004-0-00       | 1   |
| 5       | 206771-0-12       | 1   |
| 6       | 204947-0-10       | 1   |
| 7       | 206810-2-00       | 1   |
| 8       | 207523-2-00       | 1   |
| 9       | 744742-2-00       | 2   |
| 10      | 920696-0-01       | 1   |
| 11      | 203612-0-10       | 1   |
| 12      | 203609-0-10       | 1   |
| 13      | 202489-0-10       | 1   |
| 14      | 727021-0-00       | 1   |
| 15      | 745810-2-00       | 2   |
| 16      | 741665-2-00       | 1   |
| 17      | 203772-0-11       | 1   |
| 18      | 920833-0-10       | 1   |
| 19      | 765000-6-90       | --- |
| 20      | 920835-3-10       | 1   |
| 21      | 202488-0-10       | 1   |
| 22      | 920831-0-10       | 1   |
| 23      | 209354-0-00       | 2   |
| 24      | 203012-0-10       | 2   |
| 25      | 211267-0-00       | 1   |
| 26      | 209477-0-00       | 1   |
| 27      | 741538-2-00       | 2   |
| 28      | 207996-0-00       | 1   |
| 29      | 207653-0-01       | 1   |
| 30      | 211137-0-00       | 1   |
| 31      | 207421-0-01       | 1   |
| 32      | 211249-0-00       | 1   |
| 33      | 211300-0-00       | 1   |

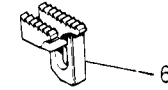
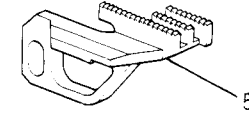
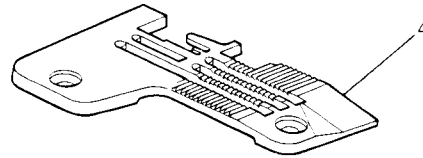
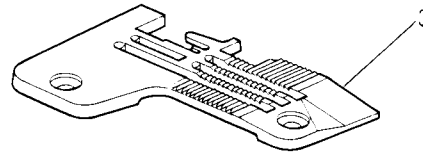
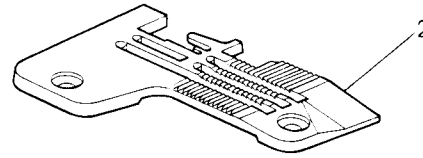
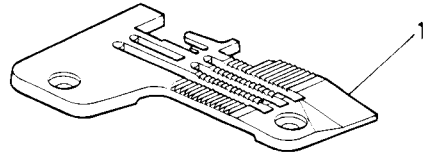
**CARATTERISTICHE E FUNZIONI DEI PARTICOLARI A RICHIESTA**  
**CHARACTERISTICS AND FUNCTIONS OF REQUESTED SPARE PARTS**  
**CARACTERISTIQUES ET FONCTIONS DES REFERENCES SUR DEMANDE**  
**KENNZEICHEN UND FUNKTIONEN DER TEILE AUF ANFRAGE**  
**CARACTERISTICAS Y FUNCIONES DE LOS REPUESTOS POR SOLICITUD**

| Fig. N. | X   | Y   | DESCRIZIONE | DESCRIPTION | DESCRIPTION | BENENNUNG | DESCRIPCION |
|---------|-----|-----|-------------|-------------|-------------|-----------|-------------|
| 1       | 5,5 |     |             |             |             |           |             |
| 2       | 6,5 |     |             |             |             |           |             |
| 3       | 6   |     |             |             |             |           |             |
| 4       | 5,5 |     |             |             |             |           |             |
| 5       |     | 1,5 |             |             |             |           |             |
| 6       |     | 1,5 |             |             |             |           |             |

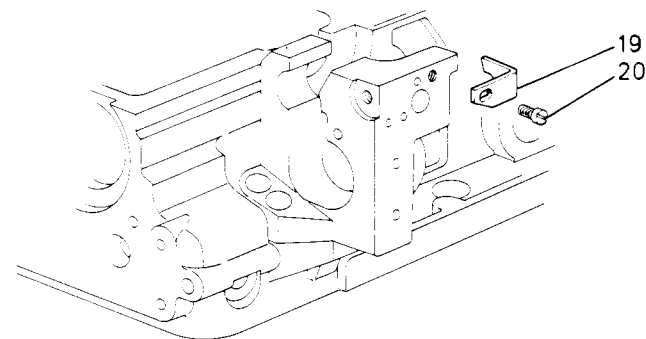
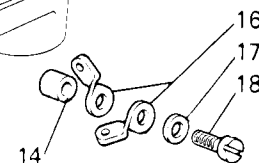
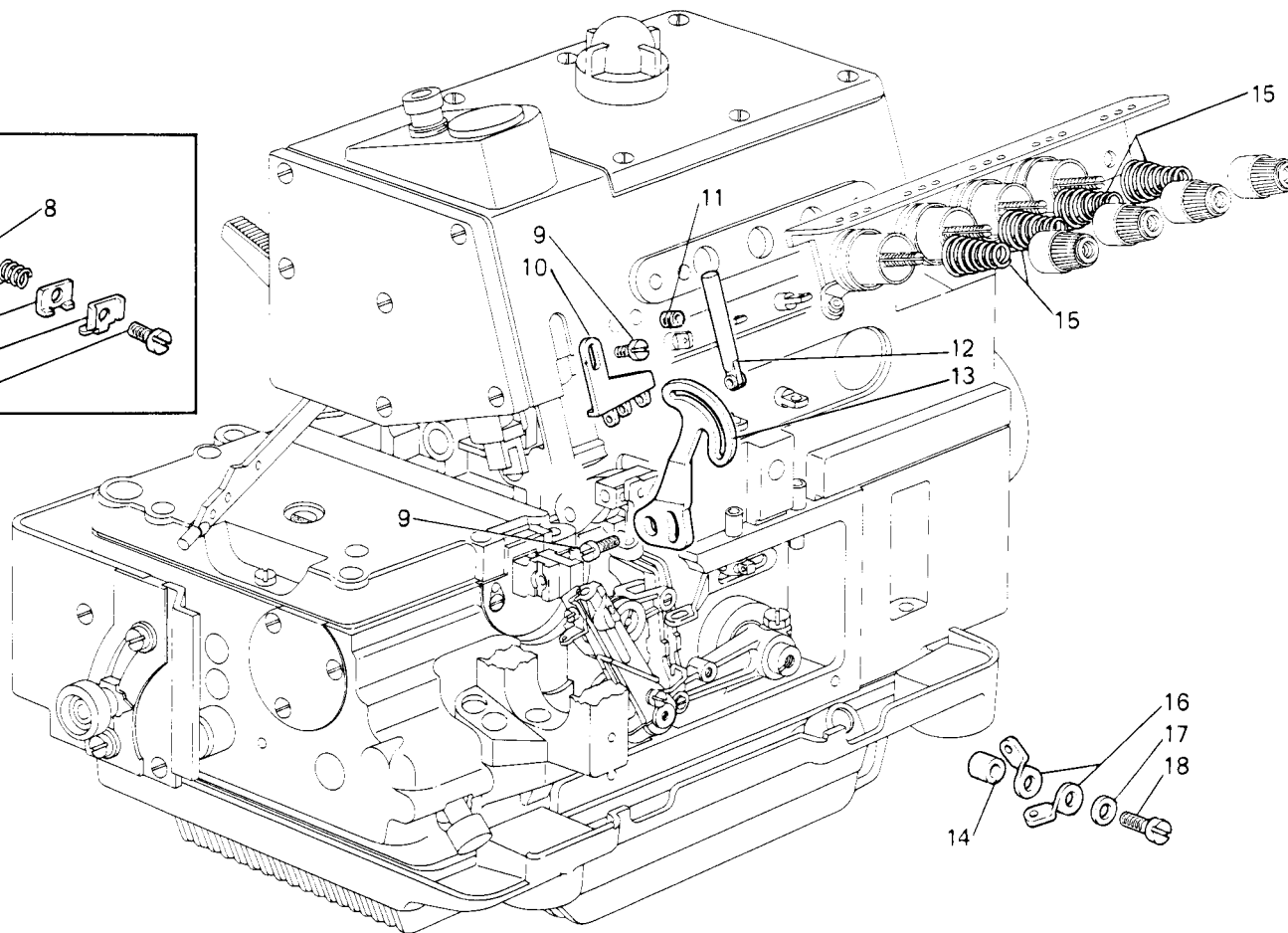
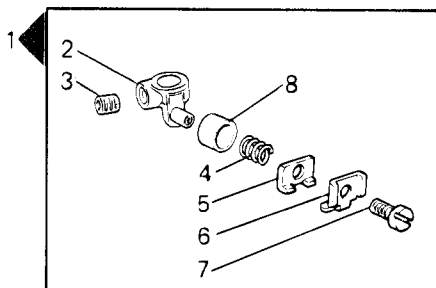
|          |   |                 |                    |                   |                     |               |
|----------|---|-----------------|--------------------|-------------------|---------------------|---------------|
| <b>X</b> | = | LARGHEZZA COSTA | WIDTH OF BIGHT     | LARGEUR DE SURJET | UEBERWENDLICHBREITE | ANCHO COSTURA |
| <b>Y</b> | = | PASSO/FINITURA  | DISTANCE/FINISHING | PAS/FINITION      | TEILUNG/BEHANDLUNG  | PASO/ACABADO  |
| <b>A</b> | = | ACCIAIO         | STEEL              | ACIER             | STAHL               | ACERO         |
| <b>D</b> | = | DENTATO         | TOOTHED            | DENTE             | GEZAEHNT            | DENTADO       |
| <b>G</b> | = | GOMMATA         | RUBBERED           | CAOUTCHOUTEE      | GUMMIBELEGTEN       | ENGOMADO      |
| <b>W</b> | = | WIDIA           | WIDIA              | WIDIA             | WIDIA               | WIDIA         |

A RICHIESTA PER - ON REQUEST FOR - SUR DEMANDE POUR - AUF ANFRAGE FUER - CON SOLICITUD PARA WFS-69-420-00-0

3



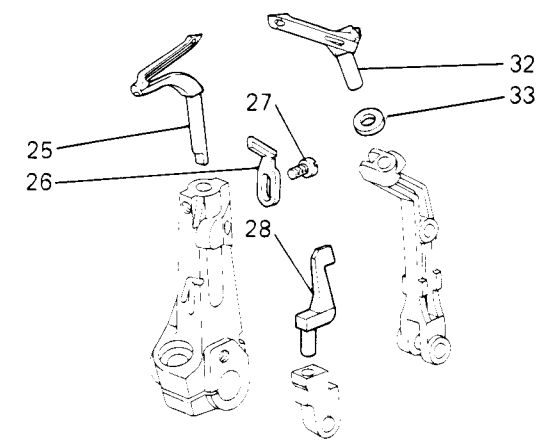
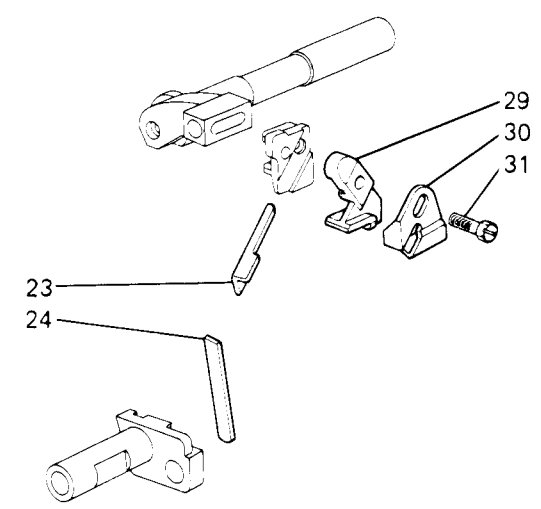
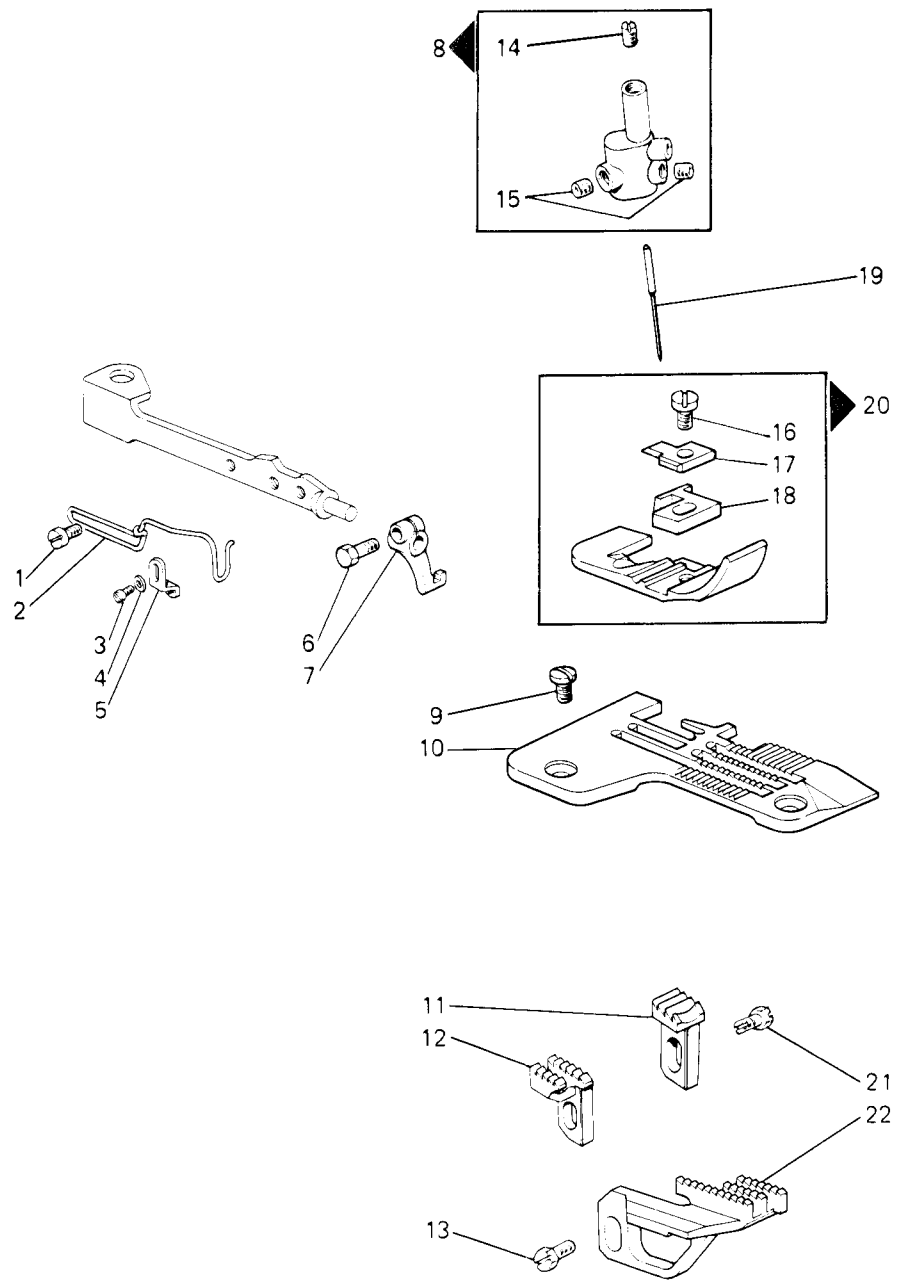
| Fig. N. | Part. N. Piece N. | Qt. |
|---------|-------------------|-----|
| 1       | 920697-0-01       | 1   |
| 2       | 920698-0-01       | 1   |
| 3       | 920699-0-01       | 1   |
| 4       | 920700-0-01       | 1   |
| 5       | 920830-0-10       | 1   |
| 6       | 203540-0-10       | 1   |



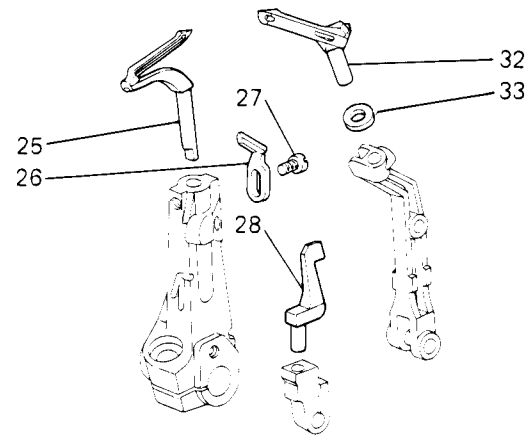
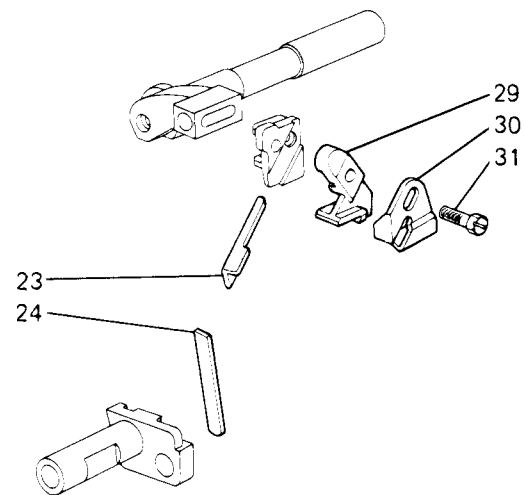
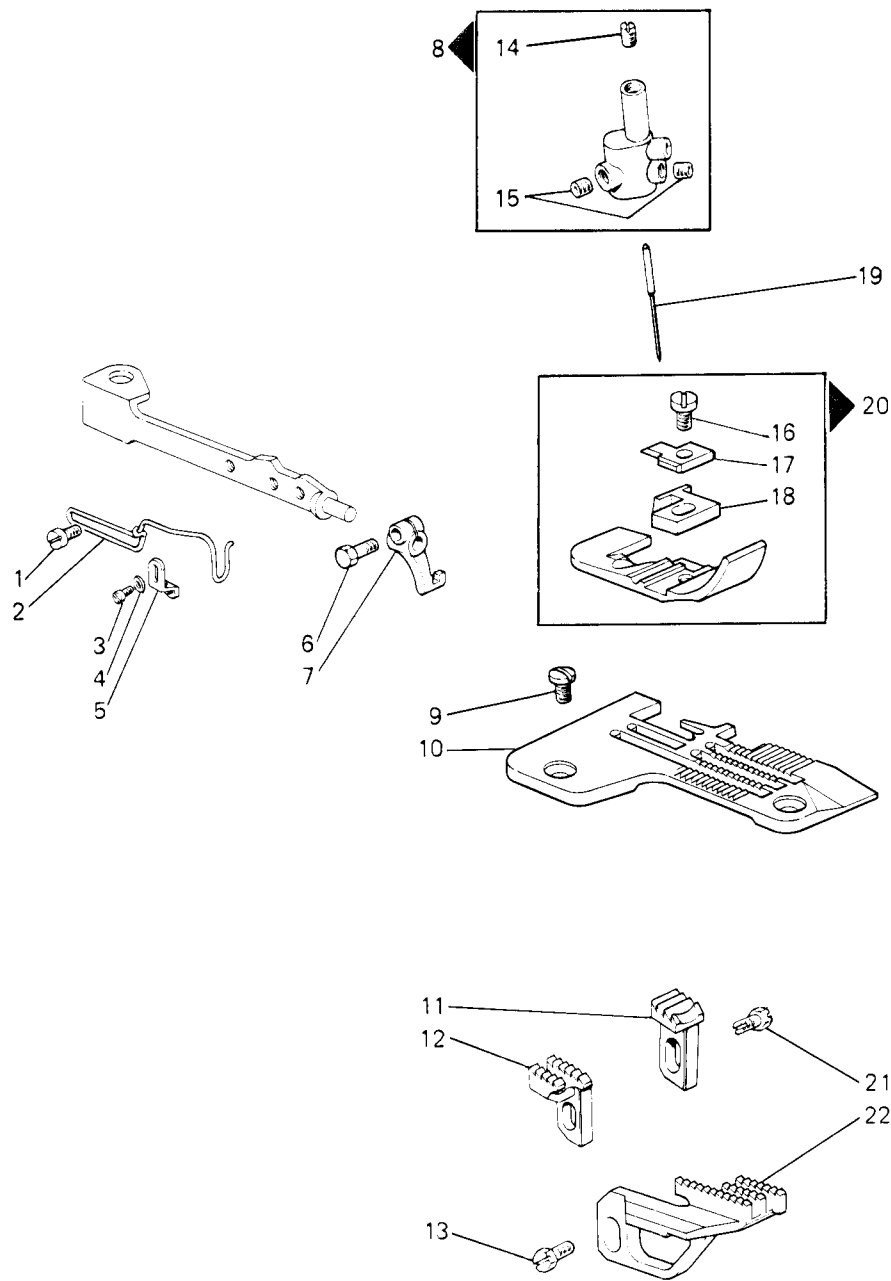
| Fig. N. | Part. N. Piece N. | Qt. |
|---------|-------------------|-----|
| 1       | 211163-4-00       | 1   |
| 2       | 211130-0-00       | 1   |
| 3       | 745812-2-00       | 1   |
| 4       | 209159-0-00       | 1   |
| 5       | 209171-0-00       | 1   |
| 6       | 211162-0-00       | 1   |
| 7       | 741634-2-00       | 1   |
| 8       | 209068-0-00       | 1   |
| 9       | 741558-0-00       | 3   |
| 10      | 211164-0-00       | 1   |
| 11      | 745810-2-00       | 1   |
| 12      | 206714-2-00       | 1   |
| 13      | 211139-0-00       | 1   |
| 14      | 211742-0-00       | 1   |
| 15      | 202227-0-10       | 4   |
| 16      | 211748-0-00       | 2   |
| 17      | 704104-2-00       | 1   |
| 18      | 722440-2-00       | 1   |
| 19      | 203380-0-10       | 1   |
| 20      | 721443-2-00       | 1   |

SEGUE  
FOLLOWS

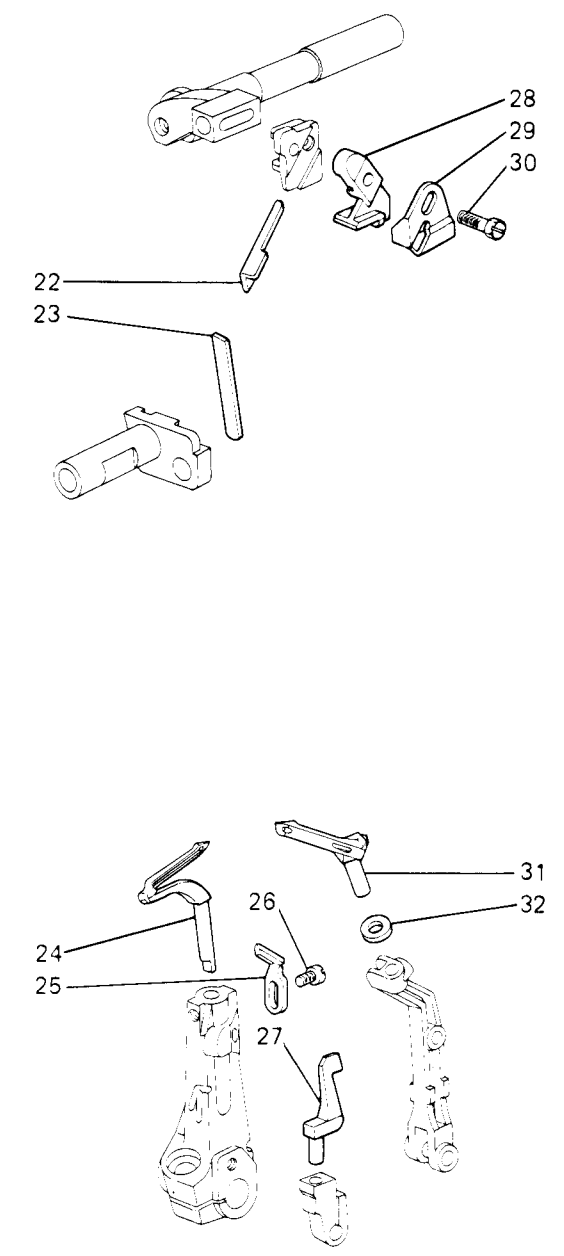
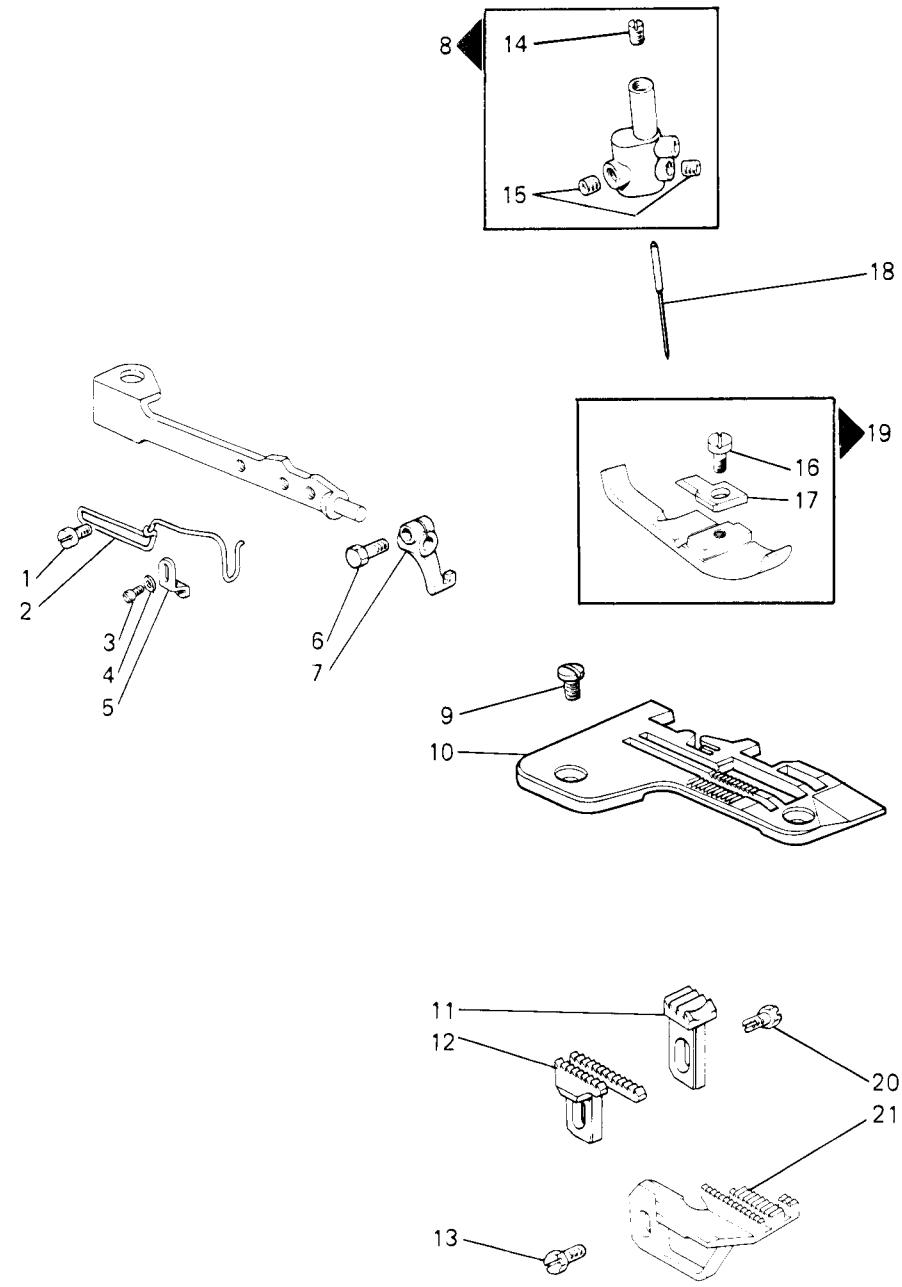




| Fig. N. | Part. N. Piece N. | Qt. |
|---------|-------------------|-----|
| 1       | 741433-2-00       | 2   |
| 2       | 991611-0-00       | 1   |
| 3       | 741658-2-00       | 1   |
| 4       | 704004-0-00       | 1   |
| 5       | 206771-0-12       | 1   |
| 6       | 204947-0-10       | 1   |
| 7       | 206810-2-00       | 1   |
| 8       | 207522-2-00       | 1   |
| 9       | 744742-2-00       | 2   |
| 10      | 920690-0-01       | 1   |
| 11      | 203612-0-10       | 1   |
| 12      | 203540-0-10       | 1   |
| 13      | 202489-0-10       | 1   |
| 14      | 727021-0-00       | 1   |
| 15      | 745810-2-00       | 2   |
| 16      | 741665-2-00       | 1   |
| 17      | 203772-0-11       | 1   |
| 18      | 920833-0-10       | 1   |
| 19      | 765200-6-90       | --  |
| 20      | 920835-3-10       | 1   |
| 21      | 202488-0-10       | 1   |
| 22      | 920830-0-10       | 1   |
| 23      | 211359-0-00       | 2   |
| 24      | 202146-0-10       | 2   |
| 25      | 211267-0-00       | 1   |
| 26      | 209477-0-00       | 1   |
| 27      | 741538-2-00       | 2   |
| 28      | 207996-0-00       | 1   |
| 29      | 207653-0-01       | 1   |
| 30      | 211137-0-00       | 1   |
| 31      | 207421-0-01       | 1   |
| 32      | 211249-0-00       | 1   |
| 33      | 211300-0-00       | 1   |

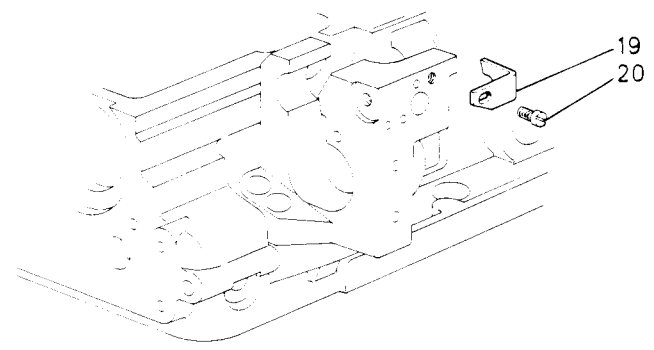
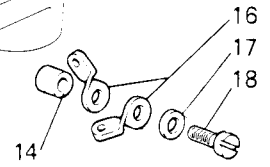
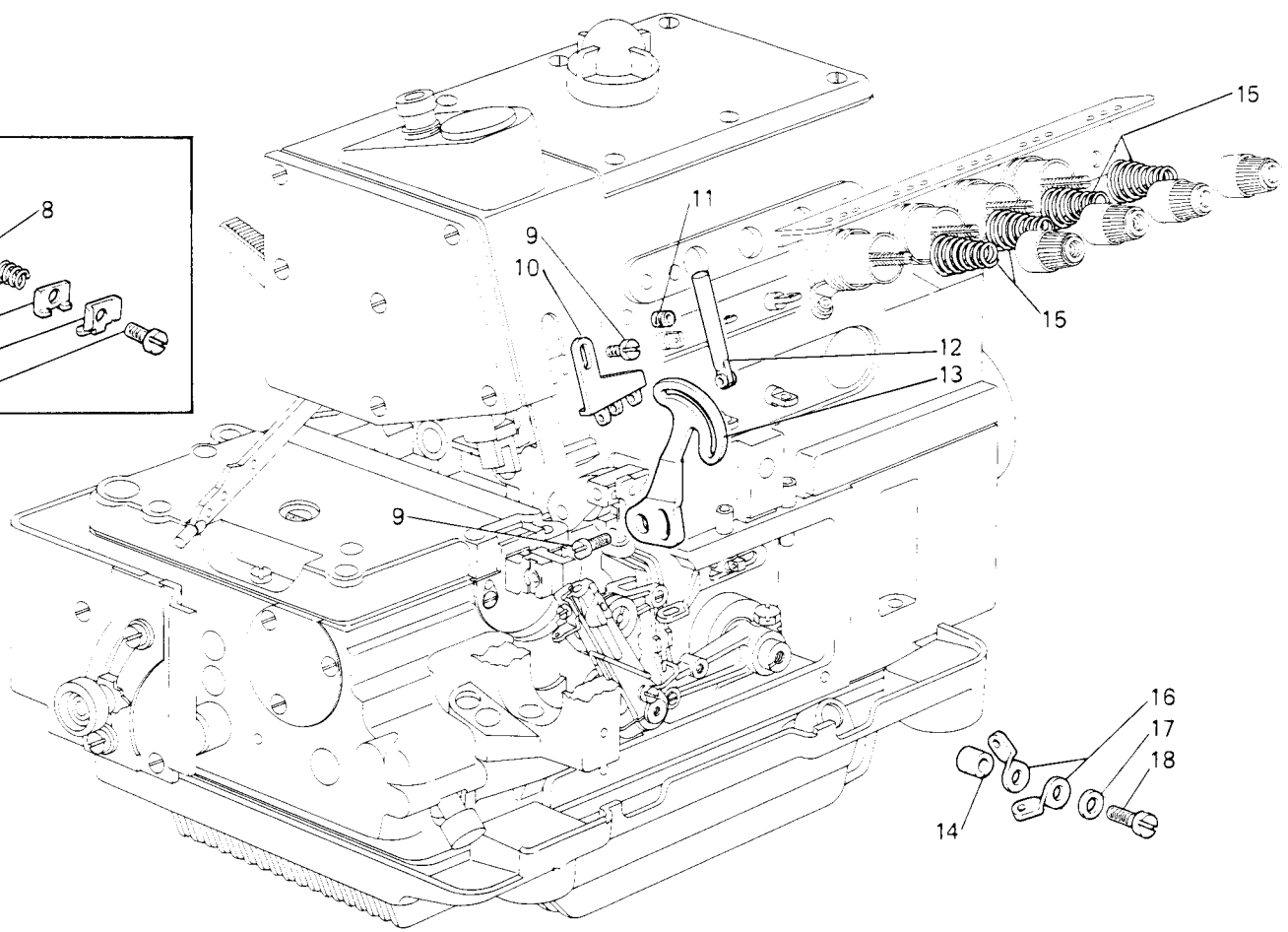
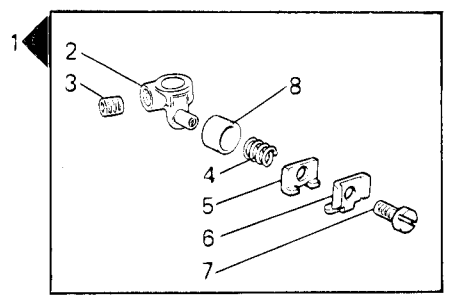


| Fig. N. | Part. N. Piece N. | Qt. |
|---------|-------------------|-----|
| 1       | 741433-2-00       | 2   |
| 2       | 991611-0-00       | 1   |
| 3       | 741658-2-00       | 1   |
| 4       | 704004-0-00       | 1   |
| 5       | 206771-0-12       | 1   |
| 6       | 204947-0-10       | 1   |
| 7       | 206810-2-00       | 1   |
| 8       | 207522-2-00       | 1   |
| 9       | 744742-2-00       | 2   |
| 10      | 920690-0-01       | 1   |
| 11      | 203612-0-10       | 1   |
| 12      | 203540-0-10       | 1   |
| 13      | 202489-0-10       | 1   |
| 14      | 727021-0-00       | 1   |
| 15      | 745810-2-00       | 2   |
| 16      | 741665-2-00       | 1   |
| 17      | 203772-0-11       | 1   |
| 18      | 920833-0-10       | 1   |
| 19      | 765200-6-90       | --  |
| 20      | 920835-3-10       | 1   |
| 21      | 202488-0-10       | 1   |
| 22      | 920830-0-10       | 1   |
| 23      | 211359-0-00       | 2   |
| 24      | 202146-0-10       | 2   |
| 25      | 211267-0-00       | 1   |
| 26      | 209477-0-00       | 1   |
| 27      | 741538-2-00       | 2   |
| 28      | 207996-0-00       | 1   |
| 29      | 207653-0-01       | 1   |
| 30      | 211137-0-00       | 1   |
| 31      | 207421-0-01       | 1   |
| 32      | 211249-0-00       | 1   |
| 33      | 211300-0-00       | 1   |



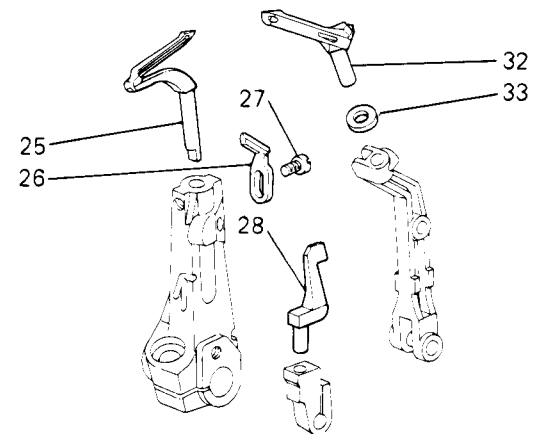
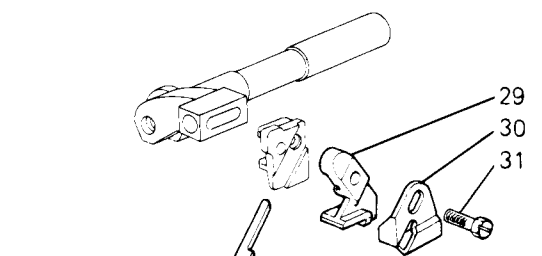
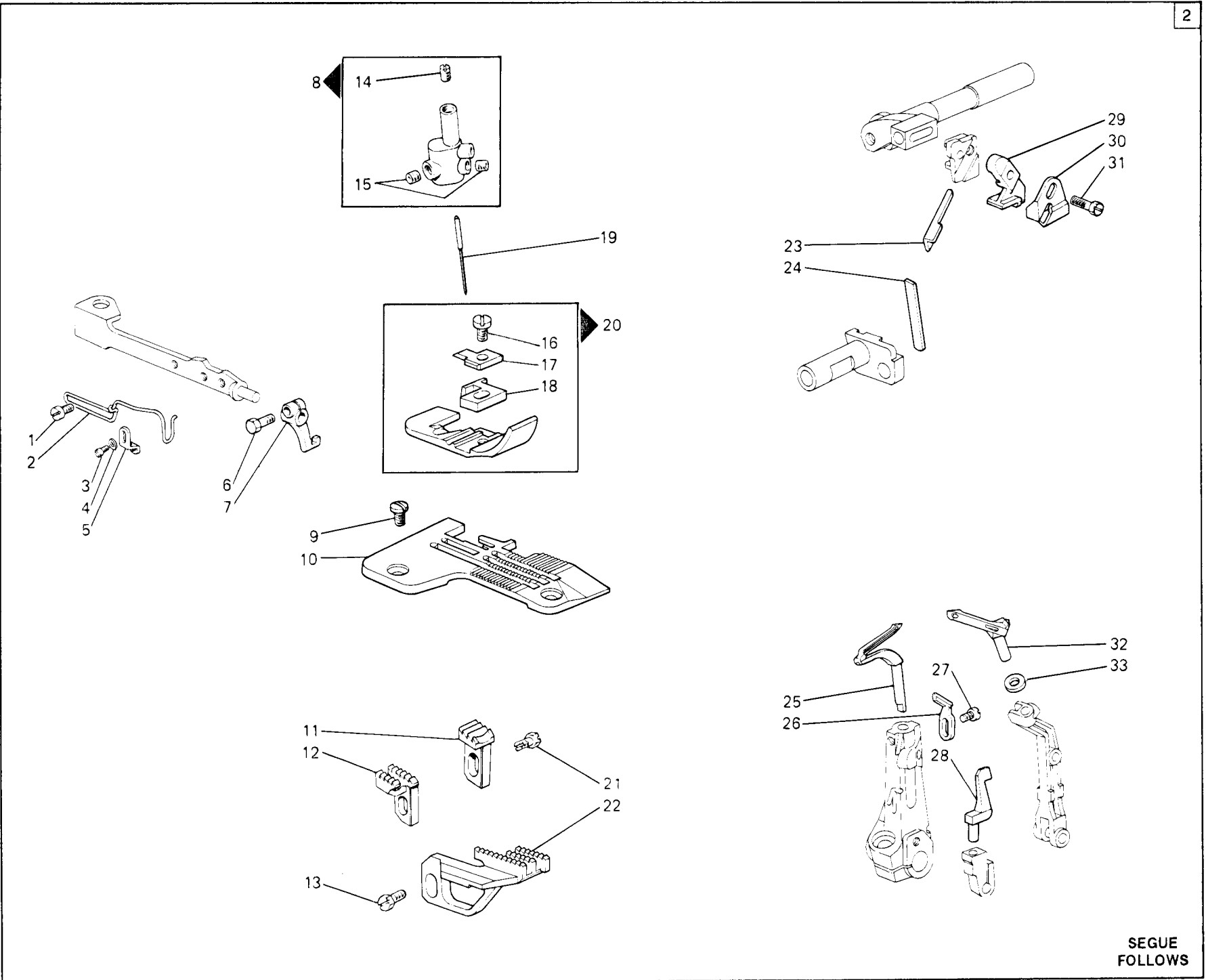
| Fig. N. | Part. N. Piece N. | Qt. |
|---------|-------------------|-----|
| 1       | 741433-2-00       | 2   |
| 2       | 991611-0-00       | 1   |
| 3       | 741658-2-00       | 1   |
| 4       | 704004-0-00       | 1   |
| 5       | 206771-0-12       | 1   |
| 6       | 204947-0-10       | 1   |
| 7       | 206810-2-00       | 1   |
| 8       | 207522-2-00       | 1   |
| 9       | 744742-2-00       | 2   |
| 10      | 920617-0-01       | 1   |
| 11      | 203003-0-10       | 1   |
| 12      | 207243-0-00       | 1   |
| 13      | 202489-0-10       | 1   |
| 14      | 727021-0-00       | 1   |
| 15      | 745810-2-00       | 2   |
| 16      | 741675-2-00       | 1   |
| 17      | 203772-0-11       | 1   |
| 18      | 765200-6-10       | --- |
| 19      | 208334-3-00       | 1   |
| 20      | 202488-0-10       | 1   |
| 21      | 208330-0-10       | 1   |
| 22      | 209359-0-00       | 1   |
| 23      | 207015-2-00       | 1   |
| 24      | 211267-0-00       | 1   |
| 25      | 209261-0-00       | 1   |
| 26      | 741538-2-00       | 2   |
| 27      | 207996-0-00       | 1   |
| 28      | 207653-0-01       | 1   |
| 29      | 211137-0-00       | 1   |
| 30      | 207421-0-01       | 1   |
| 31      | 211249-0-00       | 1   |
| 32      | 211304-0-00       | 1   |

1



| Fig. N. | Part. N. Piece N. | Qt. |
|---------|-------------------|-----|
| 1       | 211163-4-00       | 1   |
| 2       | 211130-0-00       | 1   |
| 3       | 745812-2-00       | 1   |
| 4       | 209159-0-00       | 1   |
| 5       | 209171-0-00       | 1   |
| 6       | 211162-0-00       | 1   |
| 7       | 741634-2-00       | 1   |
| 8       | 209068-0-00       | 1   |
| 9       | 741558-0-00       | 3   |
| 10      | 211164-0-00       | 1   |
| 11      | 745810-2-00       | 1   |
| 12      | 206714-2-00       | 1   |
| 13      | 211139-0-00       | 1   |
| 14      | 211742-0-00       | 1   |
| 15      | 202227-0-10       | 4   |
| 16      | 211748-0-00       | 2   |
| 17      | 704104-2-00       | 1   |
| 18      | 722440-2-00       | 1   |
| 19      | 203380-0-10       | 1   |
| 20      | 721443-2-00       | 1   |

SEGUE  
FOLLOWS



| Fig. N. | Part. N. Piece N. | Qt. |
|---------|-------------------|-----|
| 1       | 741433-2-00       | 2   |
| 2       | 991611-0-00       | 1   |
| 3       | 741658-2-00       | 1   |
| 4       | 704004-0-00       | 1   |
| 5       | 206771-0-12       | 1   |
| 6       | 204947-0-10       | 1   |
| 7       | 206810-2-00       | 1   |
| 8       | 207523-2-00       | 1   |
| 9       | 744742-2-00       | 2   |
| 10      | 920696-0-01       | 1   |
| 11      | 203612-0-10       | 1   |
| 12      | 203609-0-10       | 1   |
| 13      | 202489-0-10       | 1   |
| 14      | 727021-0-00       | 1   |
| 15      | 745810-2-00       | 2   |
| 16      | 741675-2-00       | 1   |
| 17      | 203772-0-11       | 1   |
| 18      | 920833-0-02       | 1   |
| 19      | 765000-6-90       | --- |
| 20      | 920835-3-10       | 1   |
| 21      | 202488-0-10       | 1   |
| 22      | 920831-0-10       | 1   |
| 23      | 209354-0-00       | 2   |
| 24      | 203012-0-10       | 2   |
| 25      | 211267-0-00       | 1   |
| 26      | 209477-0-00       | 1   |
| 27      | 741538-2-00       | 2   |
| 28      | 207996-0-00       | 1   |
| 29      | 207653-0-01       | 1   |
| 30      | 211137-0-00       | 1   |
| 31      | 207421-0-01       | 1   |
| 32      | 211249-0-00       | 1   |
| 33      | 211306-0-00       | 1   |

SEGUE  
FOLLOWS

**CARATTERISTICHE E FUNZIONI DEI PARTICOLARI A RICHIESTA**  
**CHARACTERISTICS AND FUNCTIONS OF REQUESTED SPARE PARTS**  
**CARACTERISTIQUES ET FONCTIONS DES REFERENCES SUR DEMANDE**  
**KENNZEICHEN UND FUNKTIONEN DER TEILE AUF ANFRAGE**  
**CARACTERISTICAS Y FUNCIONES DE LOS REPUESTOS POR SOLICITUD**

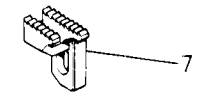
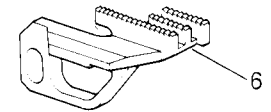
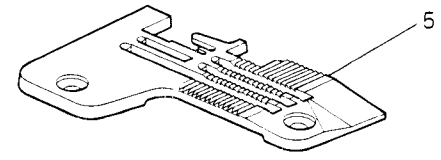
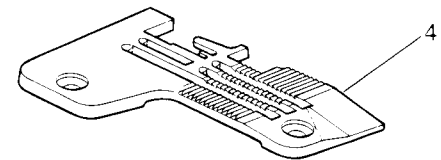
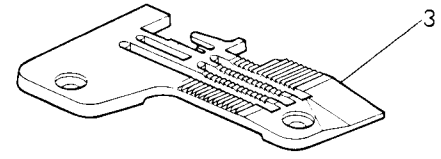
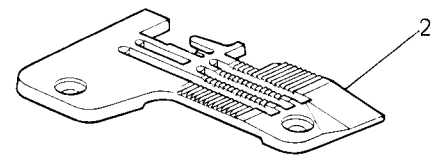
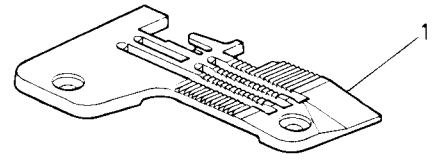
426/3

| Fig. N. | X   | Y   | DESCRIZIONE | DESCRIPTION | DESCRIPTION | BENENNUNG | DESCRIPCION |
|---------|-----|-----|-------------|-------------|-------------|-----------|-------------|
| 1       | 5,5 |     |             |             |             |           |             |
| 2       | 6,5 |     |             |             |             |           |             |
| 3       | 6   |     |             |             |             |           |             |
| 4       | 5,5 |     |             |             |             |           |             |
| 5       | 6,5 |     |             |             |             |           |             |
| 6       |     | 1,5 |             |             |             |           |             |
| 7       |     | 1,5 |             |             |             |           |             |

|          |   |                 |                    |                   |                     |               |
|----------|---|-----------------|--------------------|-------------------|---------------------|---------------|
| <b>X</b> | = | LARGHEZZA COSTA | WIDTH OF BIGHT     | LARGEUR DE SURJET | UEBERWENDLICHBREITE | ANCHO COSTURA |
| <b>Y</b> | = | PASSO/FINITURA  | DISTANCE/FINISHING | PAS/FINITION      | TEILUNG/BEHANDLUNG  | PASO/ACABADO  |
| <b>A</b> | = | ACCIAIO         | STEEL              | ACIER             | STAHL               | ACERO         |
| <b>D</b> | = | DENTATO         | TOOTHED            | DENTE             | GEZAEHNT            | DENTADO       |
| <b>G</b> | = | GOMMATA         | RUBBERED           | CAOUTCHOUTEE      | GUMMIBELEGTEN       | ENGOMADO      |
| <b>W</b> | = | WIDIA           | WIDIA              | WIDIA             | WIDIA               | WIDIA         |

A RICHIESTA PER - ON REQUEST FOR - SUR DEMANDE POUR - AUF ANFRAGE FUER - CON SOLICITUD PARA WFS-69-426-00-0

3



| Fig. N. | Part. N. / Piece N. | Qt. |
|---------|---------------------|-----|
| 1       | 920697-0-01         | 1   |
| 2       | 920698-0-01         | 1   |
| 3       | 920699-0-01         | 1   |
| 4       | 920700-0-01         | 1   |
| 5       | 920701-0-01         | 1   |
| 6       | 920830-0-10         | 1   |
| 7       | 203540-0-10         | 1   |