

1a EDIZIONE-EDITION 12/94 **n. 682**

**MACCHINA FALDATRICE  
LAYING-UP MACHINE  
CHARIOT PLIEUR**

**EFN 825**



## SIMBOLOGIA E DESCRIZIONE COMPONENTI ELETTRICI EFN 825

A.1	Scheda SF 176C	SM.12	Micro Sicurezza Caricatore
A.2	Portascheda SF 177B	SM.13	Micro Arresto Salita Caricatore
A.4	Portascheda Emergenza	SM.14	Micro Arresto Discesa Caricatore
E.1	Lampada Neon	SM.15	Micro Manopola Avanti
F	Fusibile 5A	SM.16	Micro Manopola Indietro
G.8	Tachimetrica Motore Zig-Tub	SM.18	Micro Emergenza
G.9	Tachimetrica Motore Pre-Alimentatore	SM.19	Micro Macchina Avanti
H.1	Inserzione	SM.20	Micro Macchina Indietro
H.2	Luce Spia Marcia	SP.1	Pulsante Inserzione
K.1	Teleruttore Emergenza	SP.3	Salita Discesa
K.4	Teleruttore Salita	SP.4	Carico Scarico Caricatore
K.5	Teleruttore Discesa	SP.6	Arresto
K.8	Teleruttore Salita Caricatore	SP.9	Manuale-Automatico
K.9	Teleruttore Discesa Caricatore	SP.11	Marcia
K.10	Temporizzatore Salita Carrello Zig-Tub	SP.12	Svolge-Riavvolge
KF.6	Fotocellula Fine Pezza	SP.16	Emergenza
KR.1	Rele Emergenza	SP.17	Interruttore Luce Neon
M.8	Motore Salita Discesa	SP.18	Interruttore Selezione Stesura
M.9	Motore Caricatore	T4 VA	Trasformatore TM
M.11	Motore Principale	TT	Trasformatore 380-110V 1500VA
M.13	Motore Rotazione Rulli Zig-Tub	U.1	Scheda Motore Principale
M.14	Motore Rotazione Pre-Alimentatore	U.2	Scheda Motore Aliment. Rullo Zig-Tub
P.1	Contafalde	U.3	Scheda Motore Pre-Aliment.
RR	Reostato Regolazione Velocità Rulli	U.8	Alimentatore Freno Magnetico
RRV	Reostato Regolazione Velocità Aut.	U.9	Raddrizzatore Eccitazione MP
RRVM	Reostato Regolazione Velocità Man.	XA	Morsetti Apparecchiatura
SM.6	Micro Arresto Salita	X.I	Connettore Micro
SM.7	Micro Arresto Discesa	XPS	Connettore Portaschede
SM.8	Micro Emergenza Pedana	XT	Connettore Tagliatore
SM.9	Micro Tastatore Salita		

**NELLA RICHIESTA DI PARTI DI RICAMBIO, CITARE SEMPRE IL SIMBOLO DEL PARTICOLARE ED IL MODELLO DELLA MACCHINA.  
NELLA RICHIESTA DI COMPONENTI ELETTRICI ED ELETTRONICI PRIVI DI SIMBOLI, CITARE IL NOME DELLA CASA COSTRUTTRICE  
E LE CARATTERISTICHE STAMPIGLIATE SUL PEZZO.**

**NOTA: I SIMBOLI CHE TERMINANO CON .../S SONO SINISTRI MENTRE QUELLI CHE TERMINANO CON .../D SONO DESTRI**

**SYMBOLS AND ELECTRIC DEVICES DESCRIPTION FOR EFN 825**

A.1	Card SF 176C	SM.12	Loader Security Micro
A.2	Card-case SF 177B	SM.13	Loader slope stop Micro
A.4	Emergency card-case	SM.14	Loader descent stop Micro
E.1	Neon lamp	SM.15	On knob Micro
F	Fuse 5A	SM.16	Back knob Micro
G.8	Tachimetre Motor Zig-Tub	SM.18	Emergency Micro
G.9	Tachimetre Motor Pre-feeder	SM.19	Machine on Micro
H.1	Insertion	SM.20	Machine back Micro
H.2	Led forward gear	SP.1	Insertion push button
K.1	Emergency remote control switch	SP.3	Slope Descent
K.4	Slope remote control switch	SP.4	Loader loading-unloading
K.5	Descent remote control switch	SP.6	Stop
K.8	Loader slope remote control switch	SP.9	Manual-Automatic
K.9	Loader descent remote control switch	SP.11	On
K.10	Slope track Zig-Tub timer	SP.12	Unwinding-Re-winding
KF.6	End fabric photocell	SP.16	Emergency
KR.1	Emergency relay	SP.17	Neon light switch
M.8	Slope-descent Motor	SP.18	Selection spreading switch
M.9	Loader Motor	T4 VA	TM Transformer
M.11	Main Motor	TT	380-110V 1500VA Transformer
M.13	Rotation Rollers Zig-Tub Motor	U.1	Main Motor card
M.14	Pre-feeder Rotation Motor	U.2	Roller feeding Zig-Tub Motor Card
P.1	Layers counter	U.3	Pre-feeding Motor card
RR	Rollers speed regulation Rheostat	U.8	Magnetic bracket feeding
RRV	Automatic speed regulation Rheostat	U.9	MP excitement rectifier
RRVM	Manual speed regulation Rheostat	XA	Device clamps
SM.6	Slope Micro stop	X.I	Micro connector
SM.7	Descent Micro stop	XPS	Cards-case connector
SM.8	Emergency Board Micro	XT	Cutter connector
SM.9	Slope touching Micro		

**WHEN ORDERING SPARE PARTS  
ALWAYS STATE THE PARTS SYMBOL IN QUESTION AND THE MACHINE MODEL.**

**WHEN ORDERING ELECTRIC AND ELECTRONIC SPARE PARTS WITHOUT SYMBOLS STATE MANUFACTURING COMPANY  
AND SPECIFICATION MARKED ON THE PARTS.**

**NOTE THAT WHEN SYMBOLS WITH END .../S ARE LEFT AND THOSE WITH THE END .../D ARE RIGHT**

## SYMBOLOGIE ET DESCRIPTION DISPOSITIFS ELECTRIQUES POUR EFN 825

A.1	Fiche SF 176C	SM.12	Micro Sécurité Chargeur
A.2	Porte fiche SF 177B	SM.13	Micro Arrêt Montée Chargeur
A.4	Porte fiche d'urgence	SM.14	Micro Arrêt Descente Chargeur
E.1	Lampe Neon	SM.15	Micro Poignée Avant
F	Fusible 5A	SM.16	Micro Poignée Arrière
G.8	Tachimetre Moteur Zig-Tub	SM.18	Micro Urgence
G.9	Tachimetre Moteur Pre-Alimentateur	SM.19	Micro Machine Avant
H.1	Insertion	SM.20	Micro Machine Arrière
H.2	Lampe témoin marche	SP.1	Poussoir Insertion
K.1	Télérupteur Urgence	SP.3	Montée Descente
K.4	Télérupteur montée	SP.4	Chargement Dechargement Chargeur
K.5	Télérupteur descente	SP.6	Arrêt
K.8	Télérupteur montée chargeur	SP.9	Manuel-Automatique
K.9	Télérupteur descente chargeur	SP.11	Marche
K.10	Timer montée chariot Zig-Tub	SP.12	Déroulement-Enroulement
KF.6	Photocellule fin tissu	SP.16	Urgence
KR.1	Relais urgence	SP.17	Interrupteur Lumière Neon
M.8	Moteur Montée Descente	SP.18	Interrupteur Selection Matélassage
M.9	Moteur Chargeur	T4 VA	Transformateur TM
M.11	Moteur Principal	TT	Transformateur 380-110V 1500VA
M.13	Moteur Rotation Rouleaux Zig-Tub	U.1	Fiche Moteur Principal
M.14	Moteur Rotation Pre-Alimentateur	U.2	Fiche Moteur Alimentation Rouleau Zig-Tub
P.1	Compte toiles	U.3	Fiche Moteur Pre-Alimentation
RR	Rhéostat Regulation Vitesse Rouleaux	U.8	Alimentateur Frein Magnetique
RRV	Rhéostat Regulation Vitesse Automatique	U.9	Redresseur Excitation MP
RRVM	Rhéostat Regulation Vitesse Manuelle	XA	Bornes Appareillage
SM.6	Micro Arrêt Montée	X.I	Connecteur Micro
SM.7	Micro Arrêt Descente	XPS	Connecteur Porte fiches
SM.8	Micro Urgence Estrade	XT	Connecteur coupeur
SM.9	Micro Tâteur Monteur		

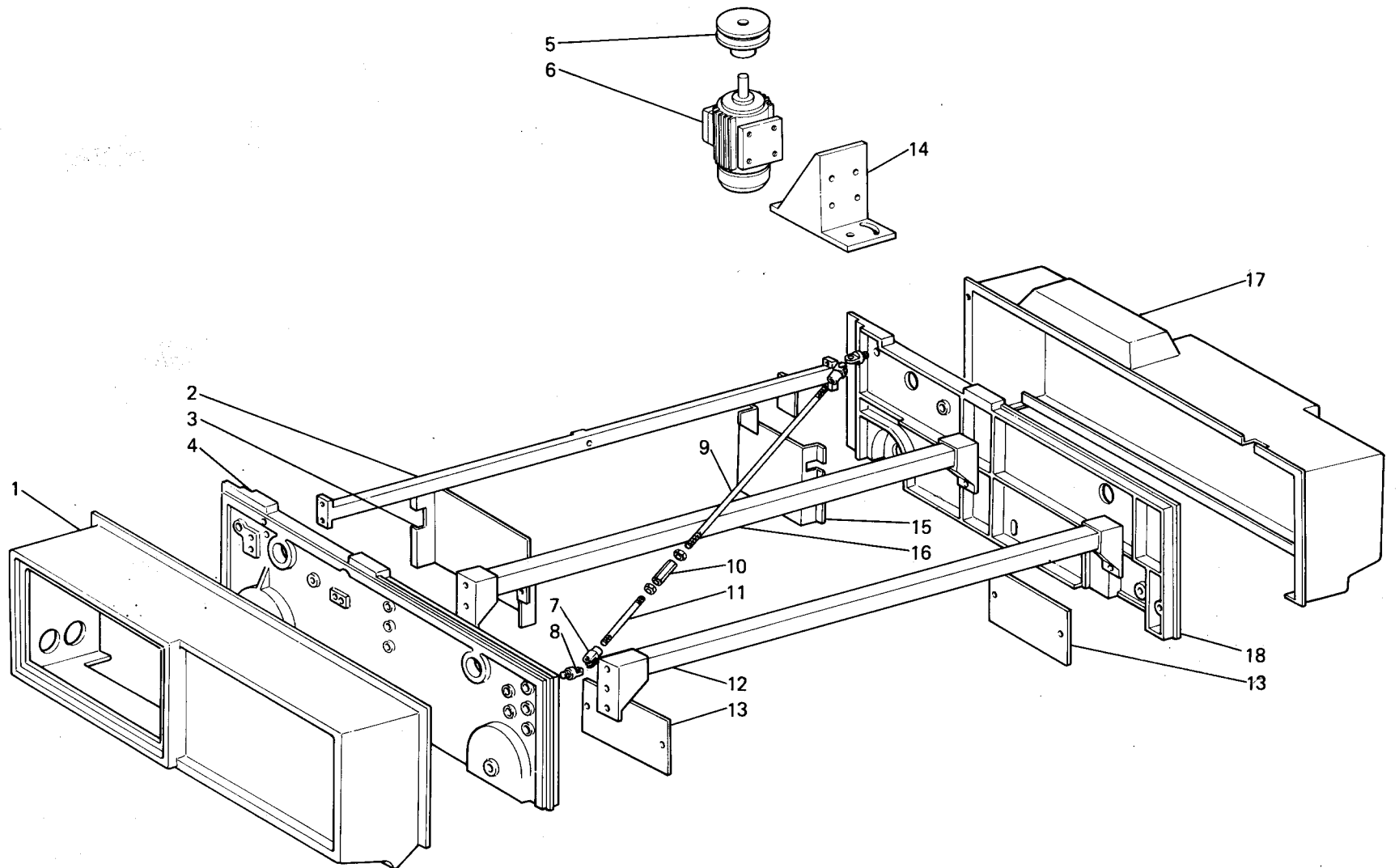
**A LA COMMANDE DES PIECES DETACHEES, INDIQUER TOUJOURS LE SYMBOLE DE LA PIECE ET LE MODELE DE LA MACHINE.**

**A LA COMMANDE DES PIECES ELECTRIQUES ET ELECTRONIQUES SANS SYMBOLES, CITER LE NOM DU CONSTRUCTEUR ET LES CARACTERISTIQUES IMPRIMEES SUR LA PIECE.**

**NOTE: LES SYMBOLES QUI FINISSENT AVEC LA.../S SONT A GAUCHE PENDANT CEUX QUI FINISSENT AVEC .../D SONT A DROITE**

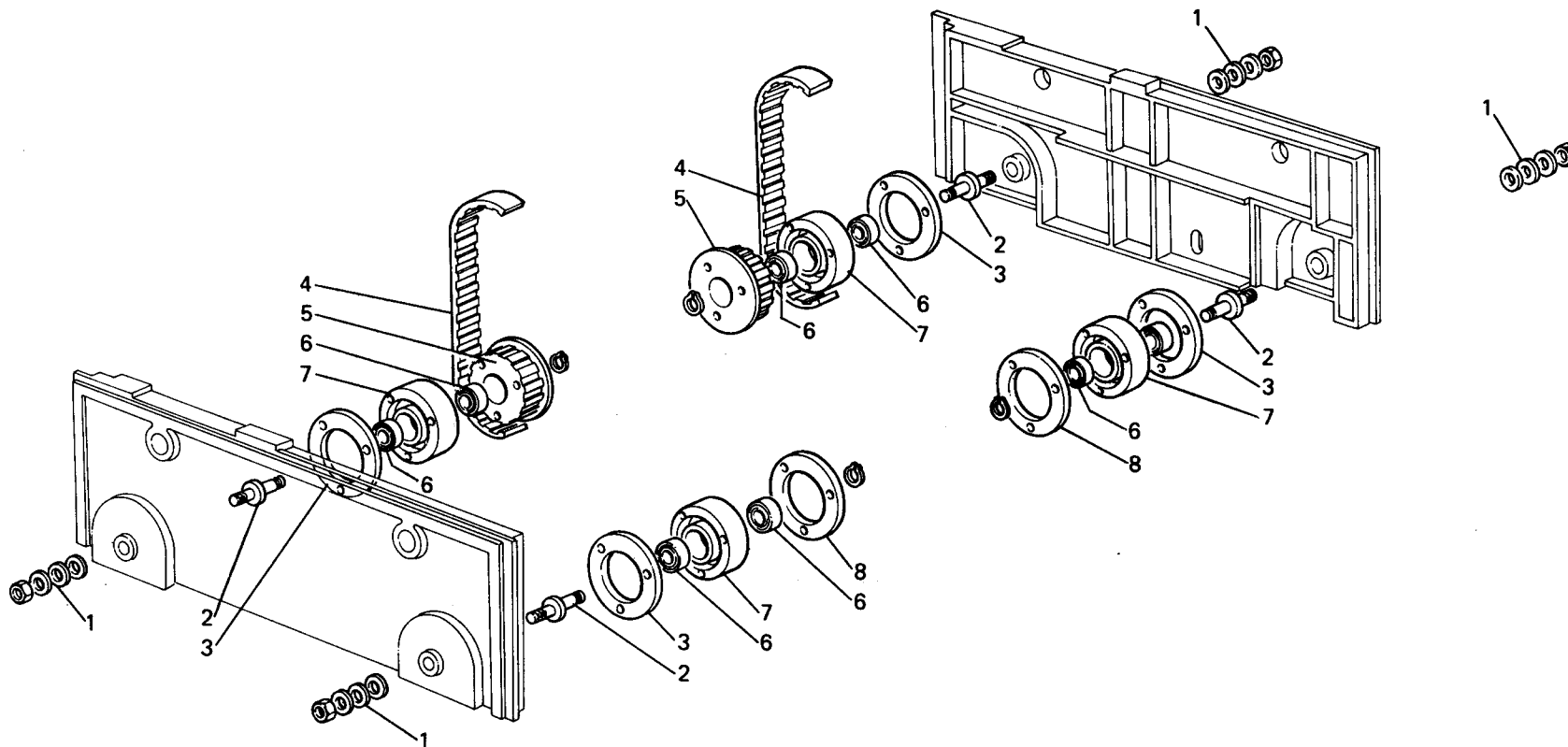
# Rim® TAV. 1

Fig. N.	Part. N. Place N.	Qt.
1	RFN E/063	1
2	RFN 14/019	1
3	RFN 12/068/1	1
4	RFN 12/001	1
5	RFN 12/097	1
6	RFN 12/252	1
7	RFN 12/072	2
8	RFN 12/071	2
9	RFN 12/076	1
10	RFN 12/074	1
11	RFN 12/075	1
12	RFN 12/079	2
13	RFN 12/069	2
14	RFN 12/098/1	1
15	RFN 12/067	1
16	RFN 12/078/1	1
17	RFN E/063/1	1
18	RFN 12/002	1



# Rim® TAV. 2

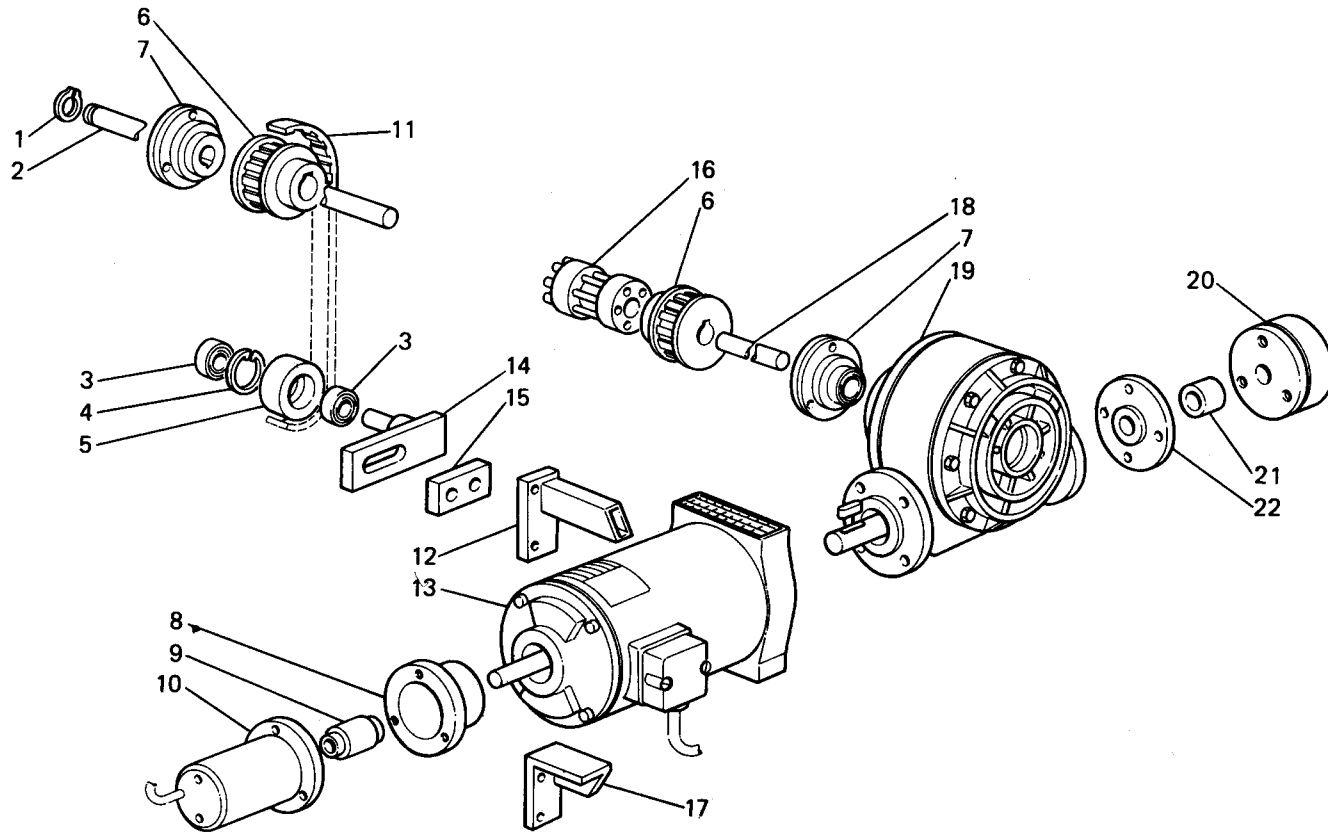
Fig. N.	Part. N. Piece N.	Qt.
1	RFN 12/055	12
2	RFN 14/452	4
3	RFN 12/018/1	4
4	RFN 12/254	2
5	RFN 12/053	2
6	RFN CS/6004	8
7	RFN 12/050/1	4
8	RFN 12/052	2



# Rim® TAV. 3

Fig. N.	Part. N. / Piece N.	Qt.
1	RFN 98/312	1
2	RFN 12/086/B	1
3	RFN CS/6202	2
4	RFN 98/416	1
5	RFN 12/065	1
6	RFN 12/089	2
7	RFN KOYO/25	2
8	RFN 14/368	1
9	RFN E/041/1	1
10	RFN E/041	1
11	RFN 12/254	1
12	RFN 12/085/6	1
13	RFN E/045	1
14	RFN 12/066/1	1
15	RFN 12/066/2	1
16	RFN Giunto	1
17	RFN 12/085/4	1
18	RFN 12/086/A	1
19	RFN 12/085	1
20	RFN E/043	1
21	RFN 14/370	1
22	RFN 14/369	1

## Spazzole - Brushes - Balais de Charbon RFN 12/303/1





# Rim® TAV. 4

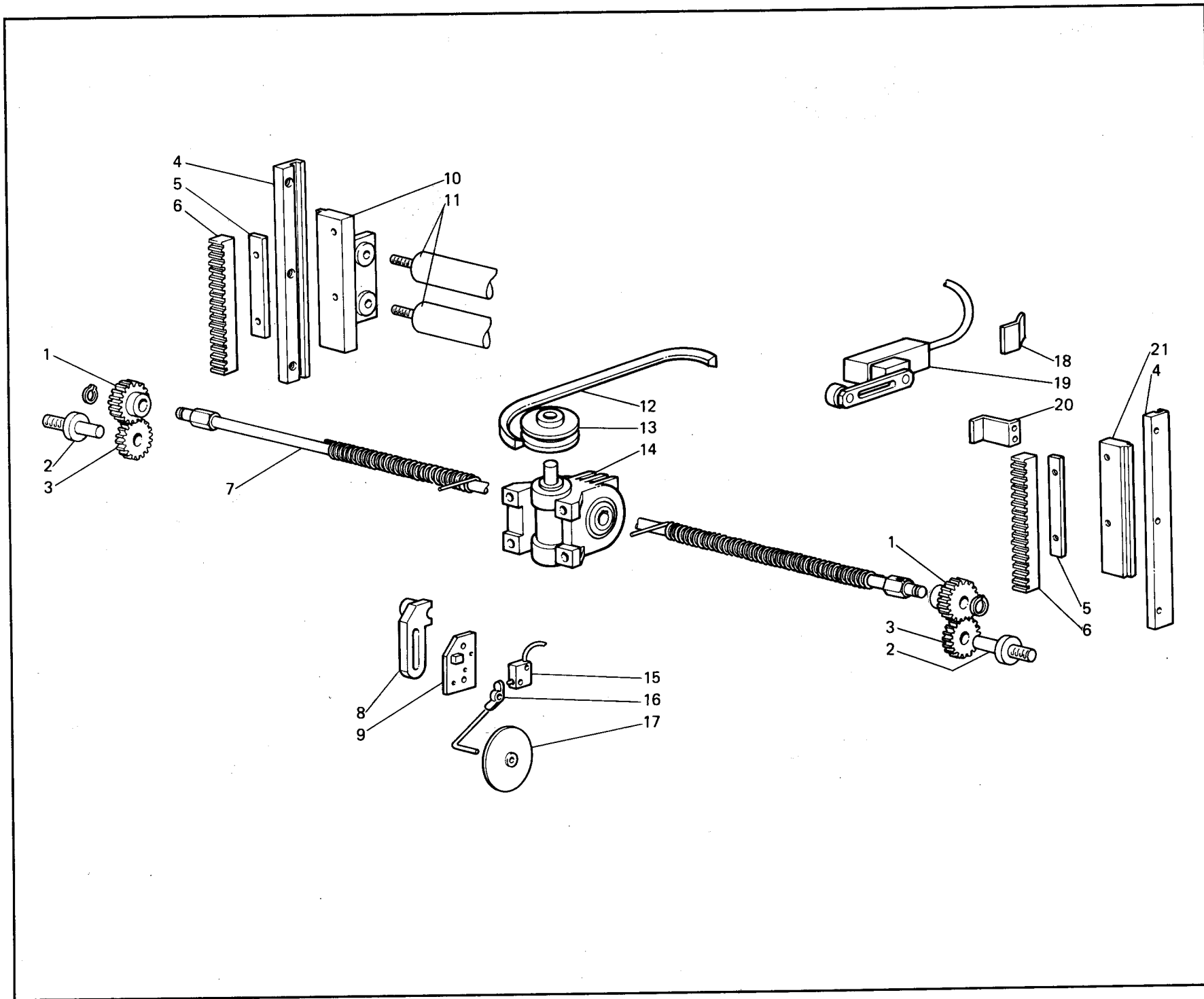
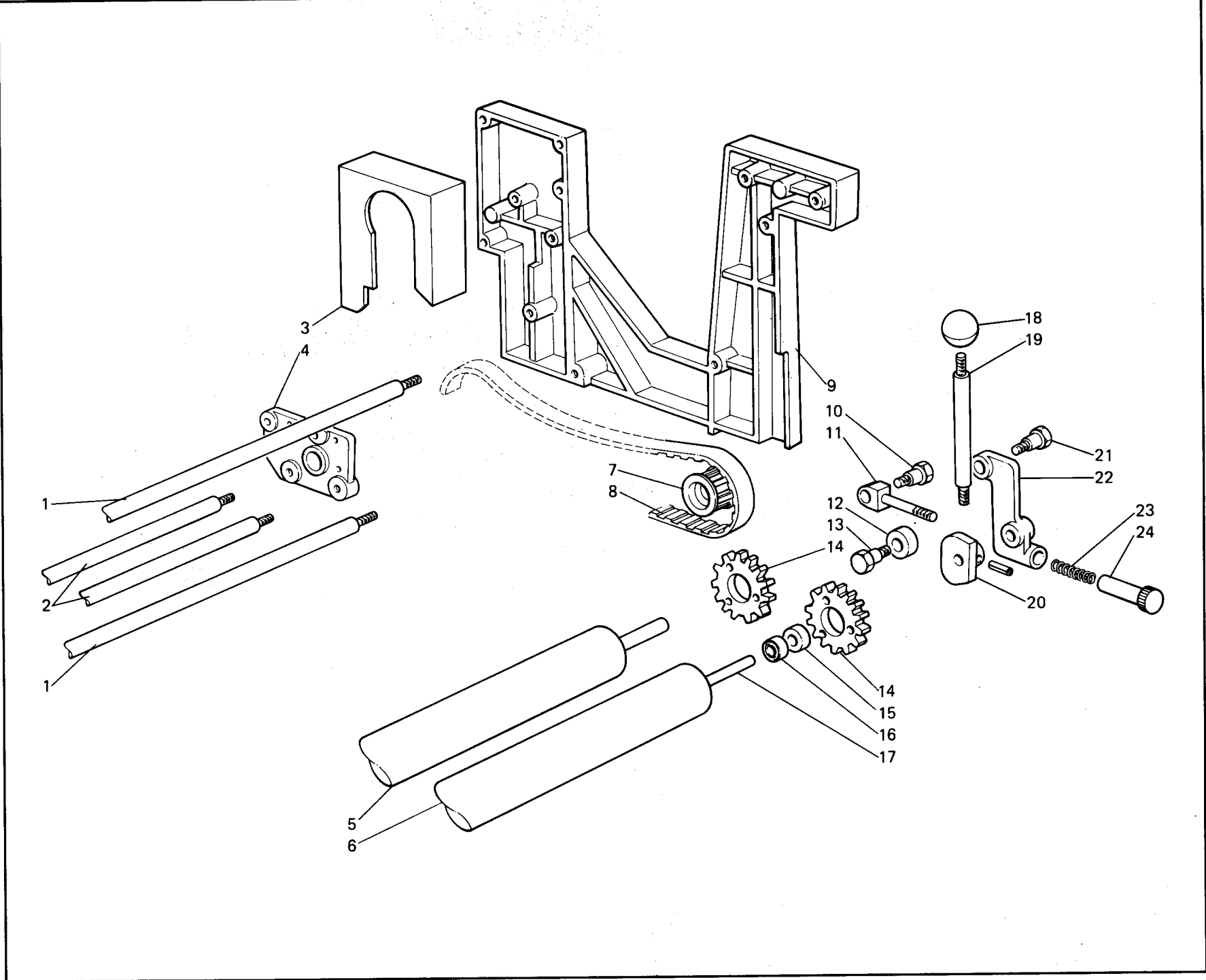


Fig. N.	Part. N. Piece N.	Qt.
1	RFN 12/094	2
2	RFN 12/094/4	2
3	RFN 12/094/2	2
4	RFN 12/123	2
5	RFN 14/048	2
6	RFN 12/119/1	2
7	RFN 12/090	1
8	RFN 12/127/1	1
9	RFN 12/131/1	1
10	RFN 13/008	1
11	RFN 13/010	2
12	RFN 14/035/1	1
13	RFN 12/096	1
14	RFN 12/253	1
15	RFN M/12/406	1
16	RFN 12/129	1
17	RFN 12/235	1
18	RFN 14/076	1
19	RFN XCK-S	2
20	RFN 14/077	1
21	RFN 13/009	1

# Rim® TAV. 5

Fig. N.	Part. N. Pèce N.	Qt.
1	RFN 12/152	2
2	RFN 12/146	2
3	RFN 12/011/D	1
	RFN 12/011/S	1
4	RFN 12/008/D	1
	RFN 12/008/S	1
5	RFN 12/135	1
6	RFN 12/136	1
7	RFN 12/034	1
8	RFN 225/L100	1
9	RFN 12/005/D	1
	RFN 12/005/S	1
10	RFN 12/114	4
11	RFN 12/111	4
12	RFN 12/133	4
13	RFN 12/134	4
14	RFN 12/101	4
15	RFN 12/145	1
16	RFN AJL/12	4
17	RFN 12/139	1
18	RFN 12/243	2
19	RFN 12/110	2
20	RFN 12/109	2
21	RFN 12/115	2
22	RFN 12/019/D	1
	RFN 12/019/S	1
23	RFN 12/112	2
24	RFN 12/141	2



Spazzole - Brushes - Balais de Charbon RFN 12/303/3

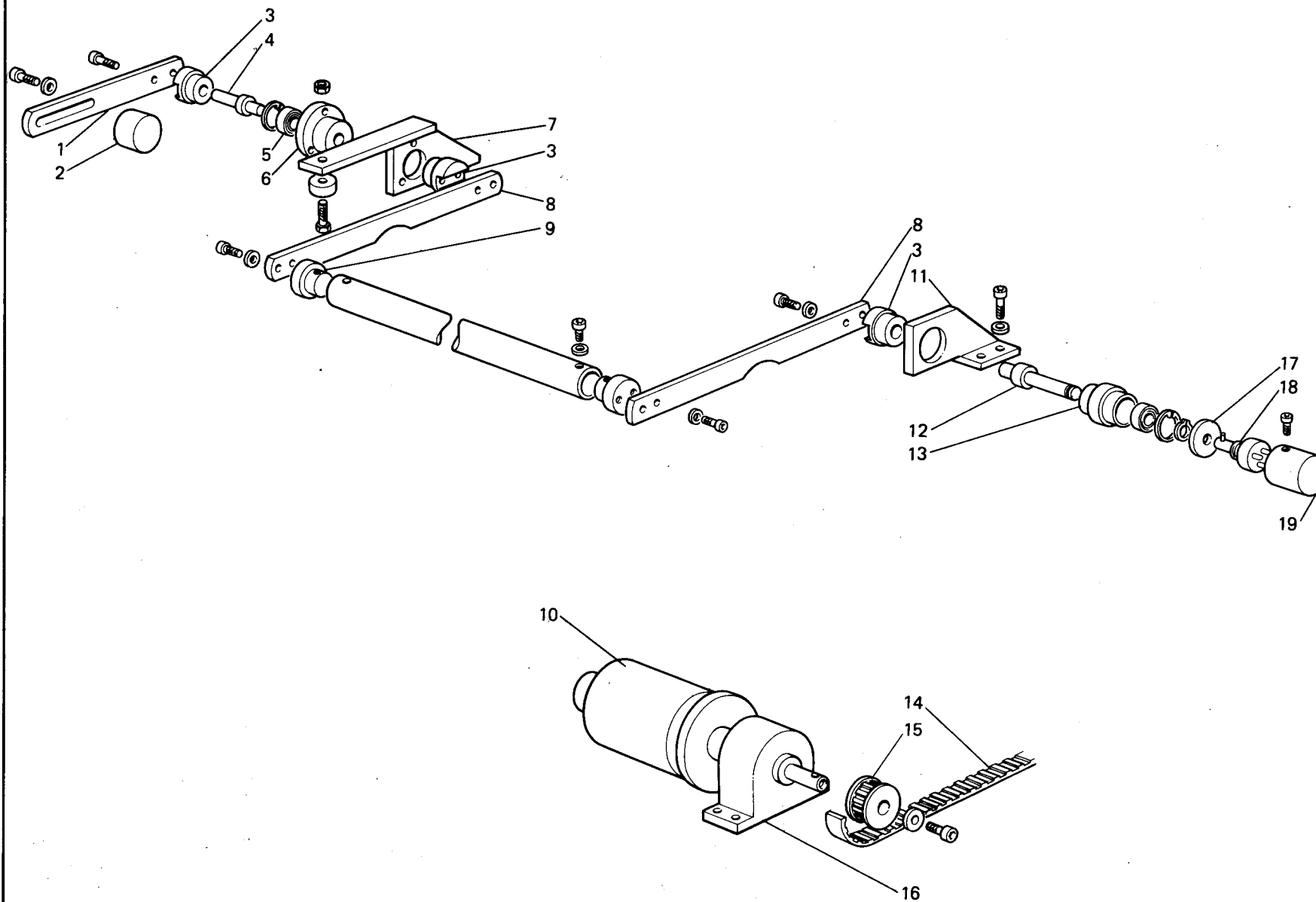
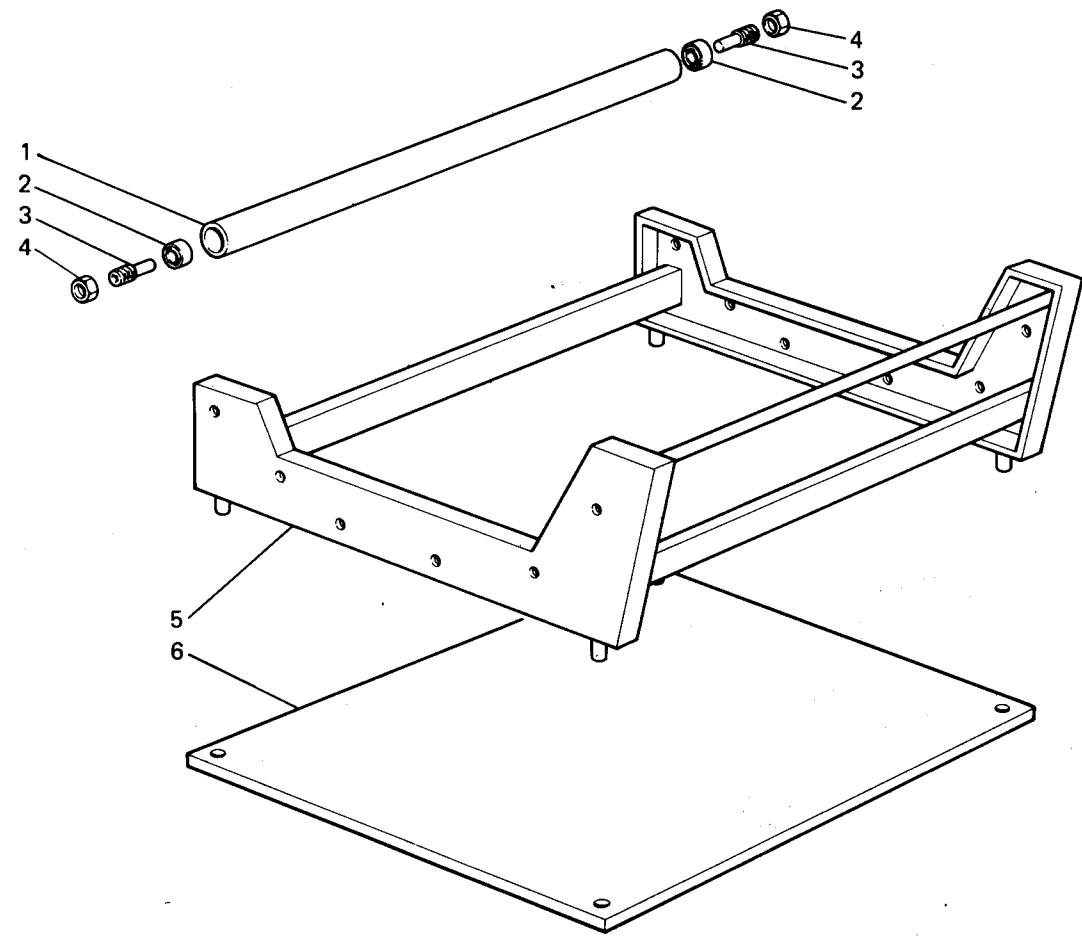


Fig. N.	Part. N. Pèce N.	Qt.
1	RFN 25/009	1
2	RFN 25/703	1
3	RFN 25/010	3
4	RFN 25/011	1
5	RFN VC/6001	2
6	RFN 25/012	1
7	RFN 25/004	1
8	RFN 25/013	2
9	RFN 25/014	1
10	RFN E/046/3	1
11	RFN 25/003	1
12	RFN 25/708/1	1
13	RFN 25/707/1	1
14	RFN 225/L100	1
15	RFN 12/035	1
16	RFN E/047	1
17	RFN 25/001	1
18	RFN E/006	1
19	RFN 25/005	1

# Rim® TAV. 7

Fig. N.	Part. N. Pice N.	Qt.
1	RFN 12/223	6
2	RFN CS/608/Z	12
3	RFN 12/226	12
4	RFN 99/532	12
5	RFN 12/222	1
6	RFN 12/207	1



# Rim® TAV. 8

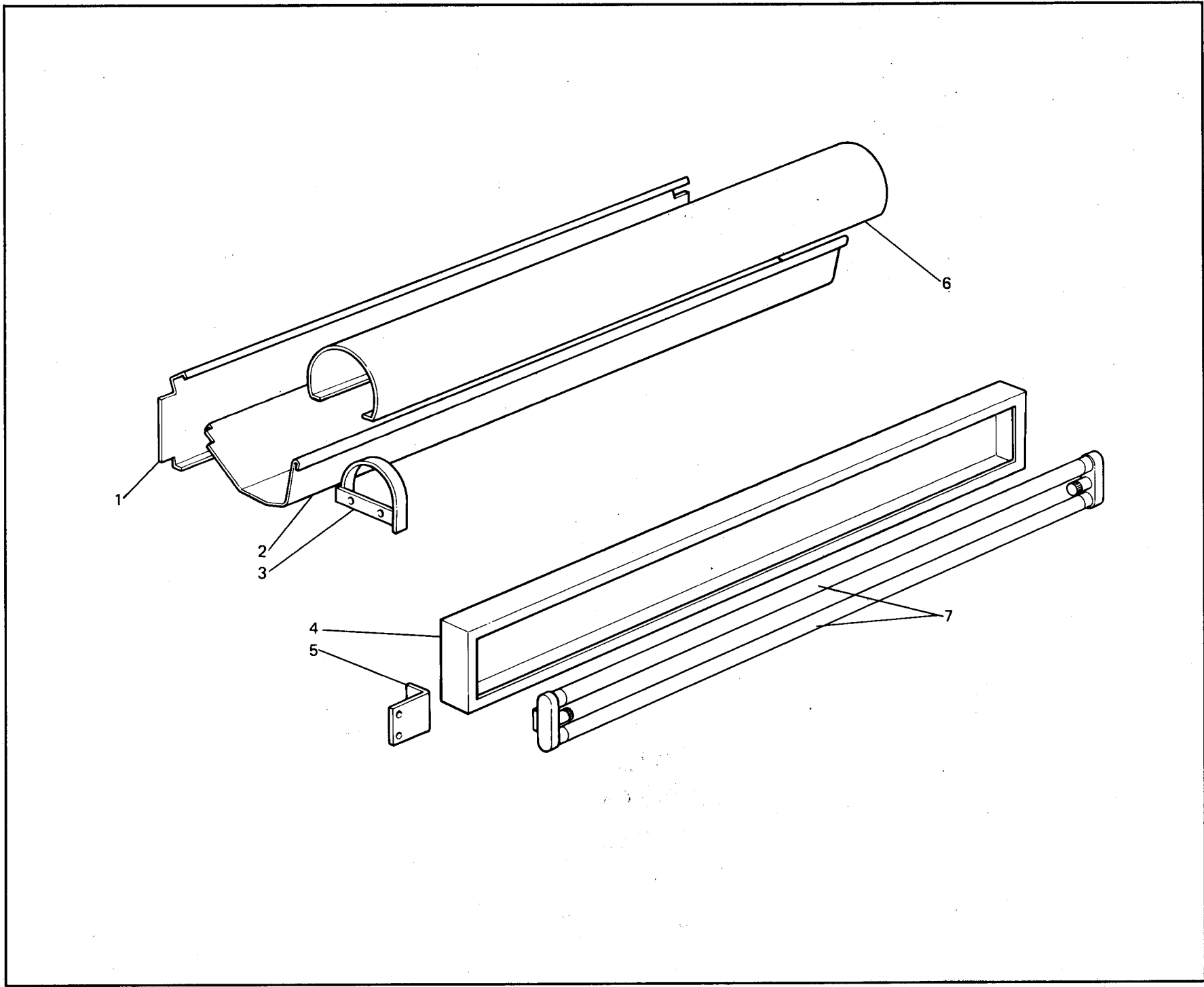
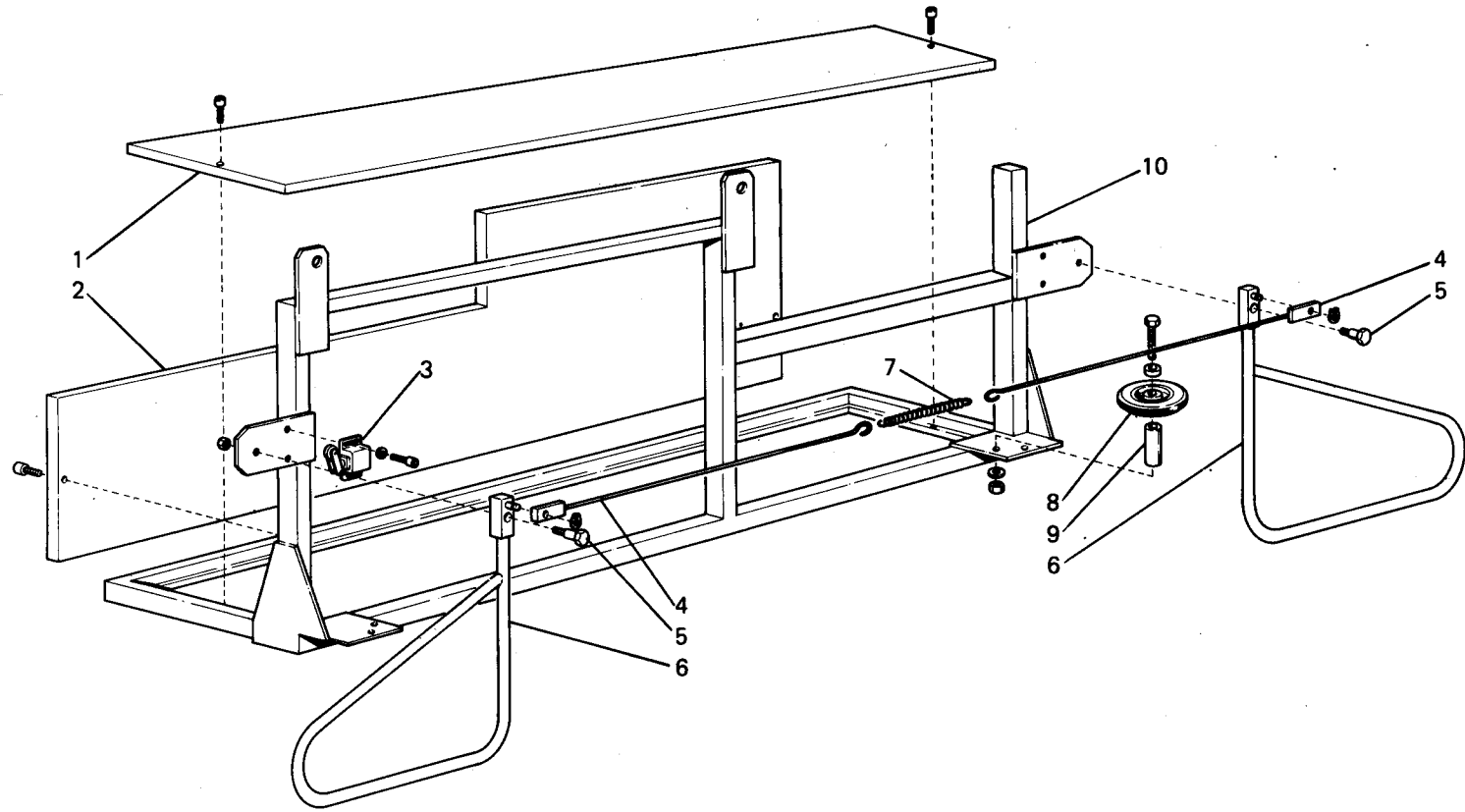


Fig. N.	Part. N. Piece N.	Qt.
1	RFN 12/206	1
2	RFN 12/205	1
3	RFN 12/031/D RFN 12/031/S	1 1
4	RFN 12/205/E	1
5	RFN 12/211	2
6	RFN 12/033	1
7	RFN 12/214	2

# Rim® TAV. 9

Fig. N.	Part. N. Pice N.	Qt.
1	RFN 14/455	1
2	RFN 14/456	1
3	RFN M/12/401	1
4	RFN 14/457	2
5	RFN 10/867	2
6	RFN 10/865	2
7	RFN 10/869	1
8	RFN 14/459	1
9	RFN 14/454/1	1
10	RFN 14/451	1



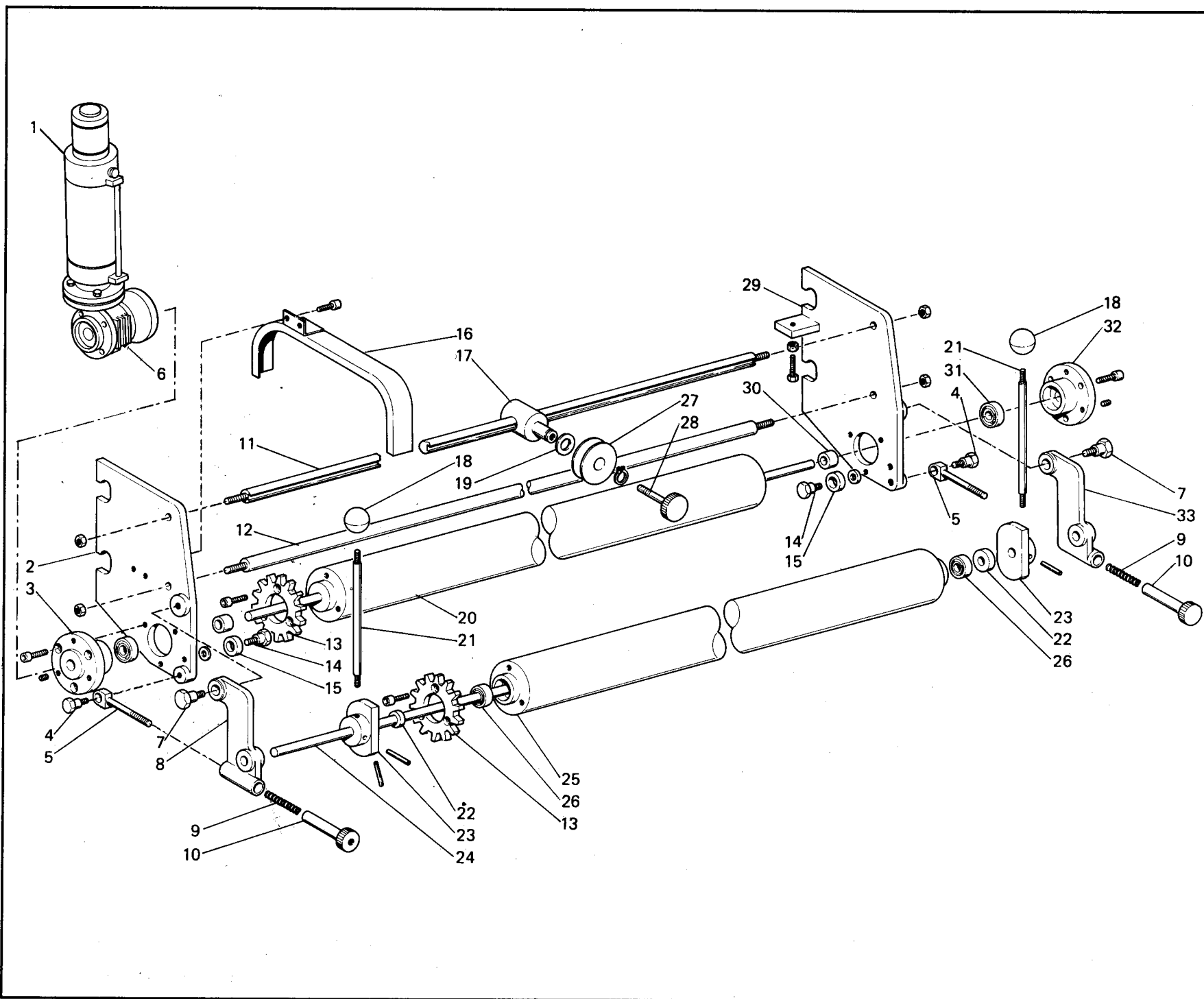
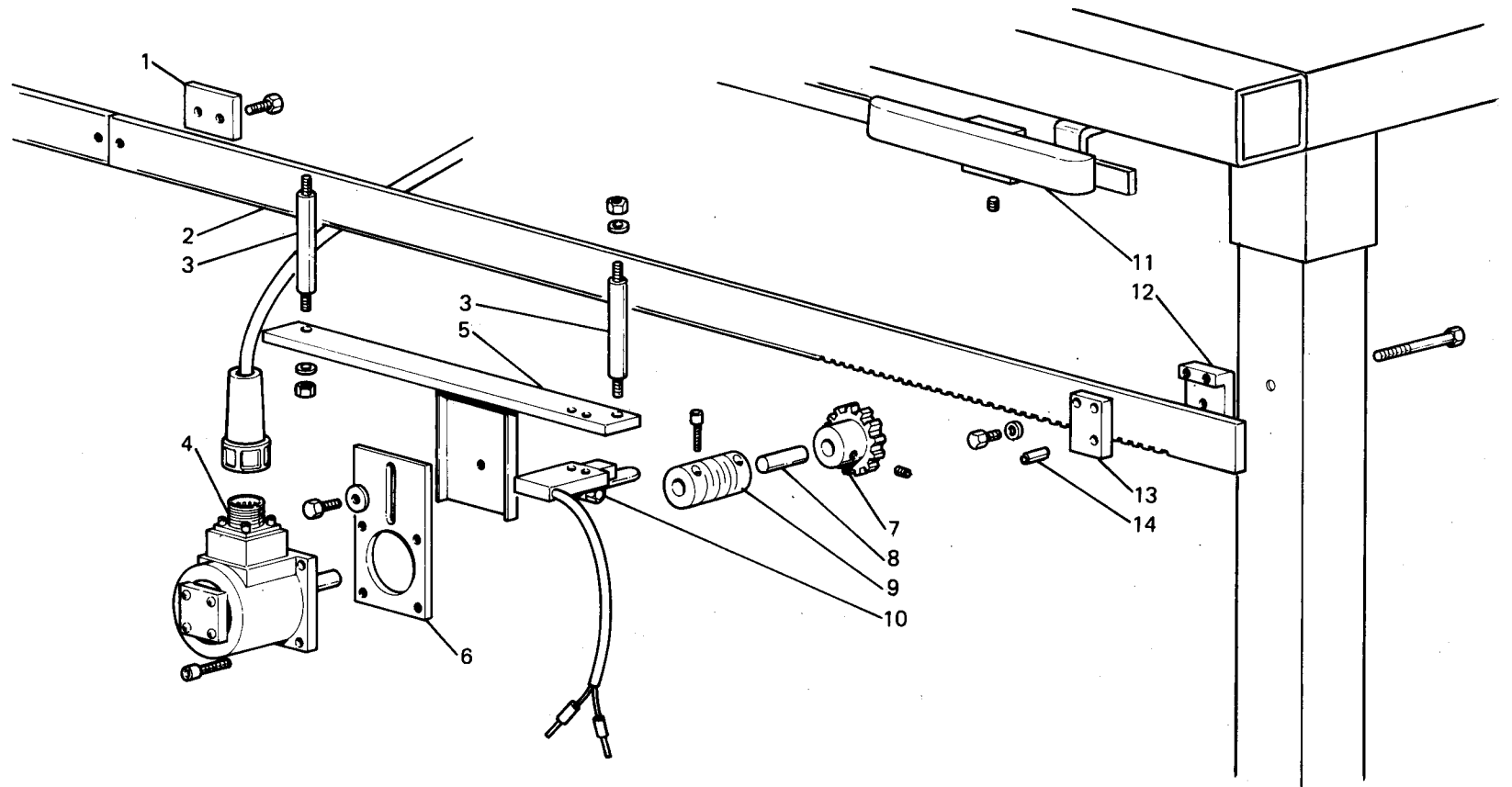


Fig. N.	Part. N. Piece N.	Qt.
1	RFN E/046/3	1
2	RFN 14/802	1
3	RFN 14/802/A	1
4	RFN 12/114	2
5	RFN 12/111	2
6	RFN E/047/1	1
7	RFN 12/115	2
8	RFN 12/019/S	1
9	RFN 12/112	2
10	RFN 12/113	2
11	RFN 14/805	1
12	RFN 14/806	1
13	RFN 12/101	2
14	RFN 12/134	2
15	RFN 12/133	2
16	RFN 14/808	1
17	RFN 12/124/A	1
18	RFN 12/243	2
19	RFN 12/238	1
20	RFN 14/803	1
21	RFN 12/110	2
22	RFN 14/809	2
23	RFN 12/109	2
24	RFN 14/807	1
25	RFN 14/804	1
26	RFN VC/2202	2
27	RFN 12/125	1
28	RFN 12/126	1
29	RFN 14/801	1
30	RFN 14/828	2
31	RFN VC/2201	2
32	RFN 14/801/A	1
33	RFN 12/019/D	1

# Rim® TAV.11

Fig. N.	Part. N. Piece N.	Qt.
1	RFN 24/655	1
2	RFN 24/645	1
3	RFN 12/194	2
4	RFN 24/648	1
5	RFN 24/641	1
6	RFN 24/640	1
7	RFN 24/646	1
8	RFN 24/652	1
9	RFN 24/647	1
10	RFN 24/651	1
11	RFN 24/650	1
12	RFN 24/642/M	1
13	RFN 24/643/M	1
14	RFN 98/010	1





# Rim® TAV. 12

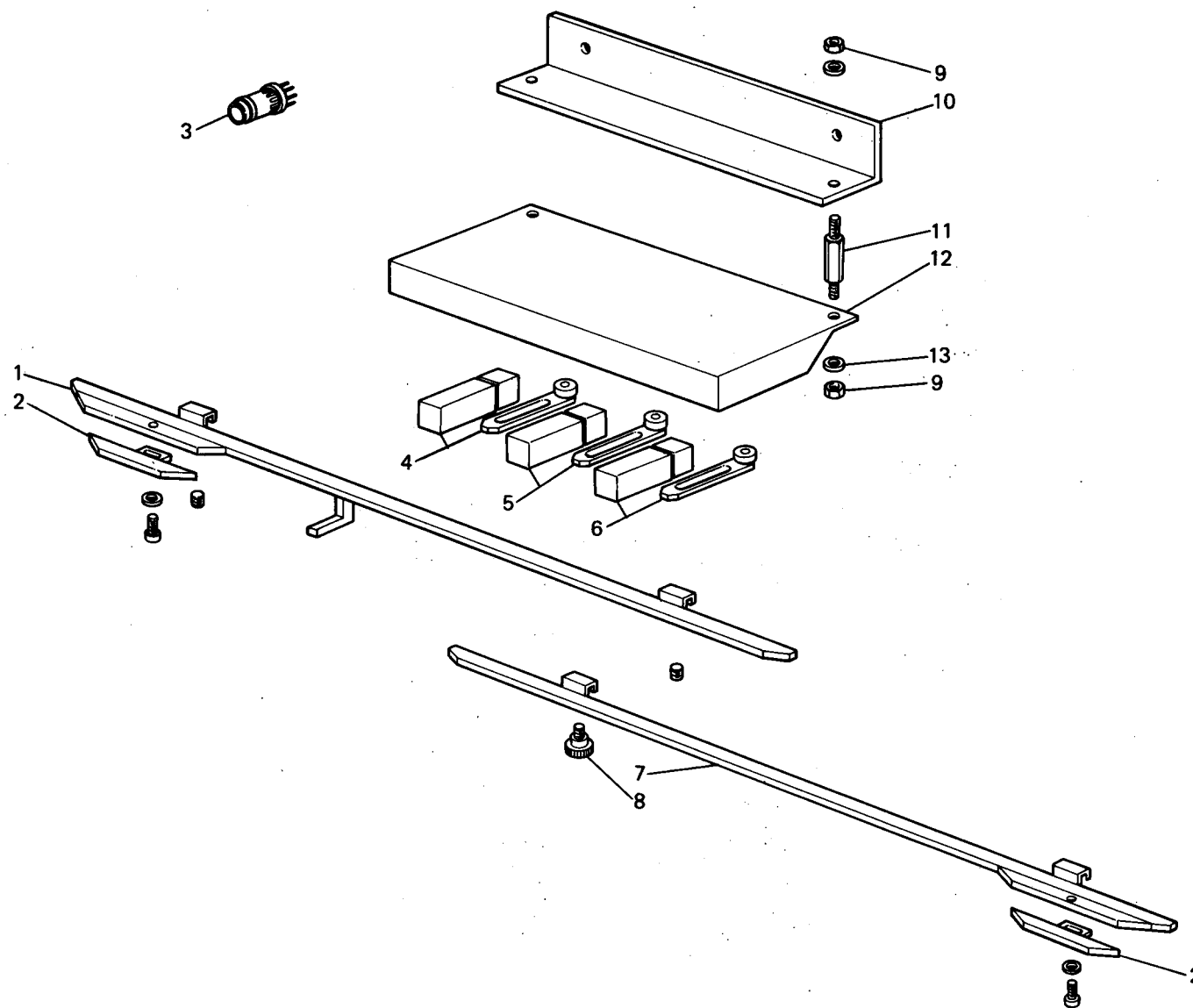
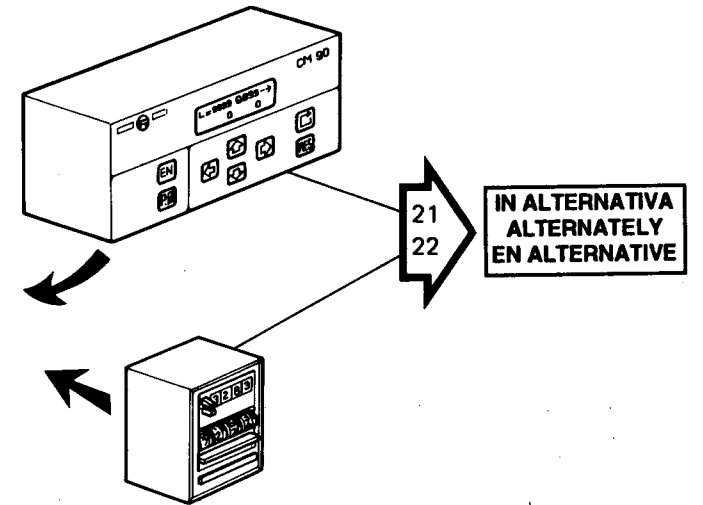
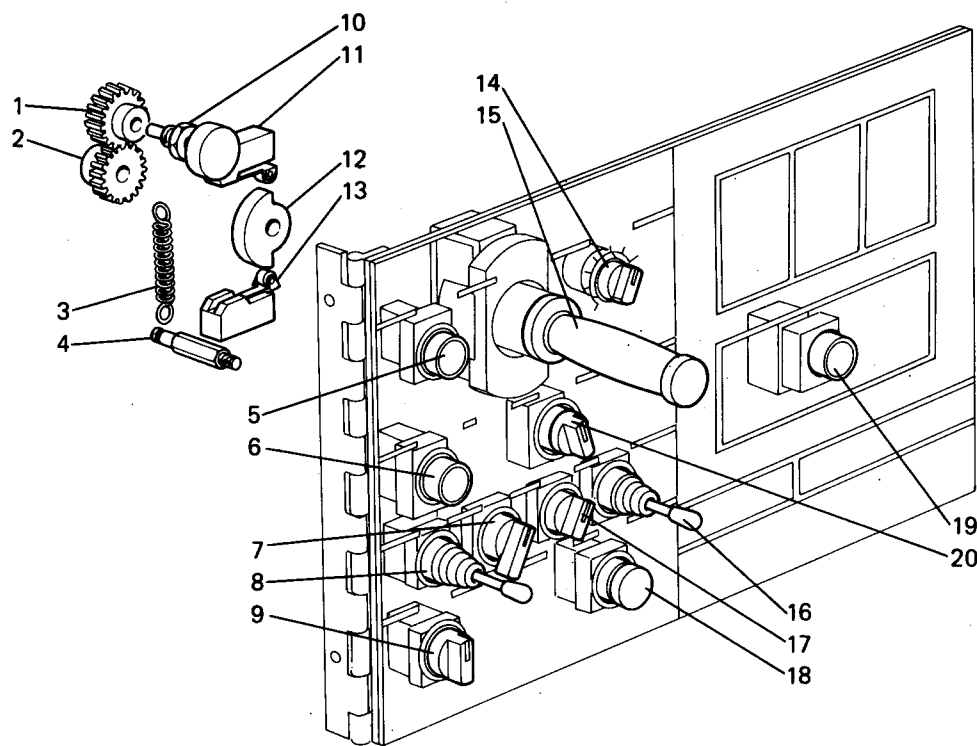


Fig. N.	Part. N. Piese N.	Qt.
1	RFN E/073	1
2	RFN E/070	2
3	RFN E/027	1
4	RFN SM18	1
5	RFN SM19	1
6	RFN SM20	1
7	RFN E/074	1
8	RFN 12/195/1	1
9	RFN 99/530	4
10	RFN 12/193	1
11	RFN E/072	2
12	RFN E/069	1
13	RFN 99/627	4

# Rim® TAV. 13

Fig. N.	Part. N. Pèce N.	Qt.
1	RFN 14/293	1
2	RFN 14/294	1
3	RFN 14/298	1
4	RFN 14/296/1	1
5	RFN SP6	1
6	RFN SP11	1
7	RFN SP18	1
8	RFN SP12	1
9	RFN RR	1
10	RFN RRVM	1
11	RFN SM15	1
12	RFN 14/285	1
13	RFN SM16	1
14	RFN RRV	1
15	RFN 14/280/G	1
16	RFN SP3	1
17	RFN SP17	1
18	RFN SP1	1
19	RFN SP16	1
20	RFN SP9	1
21	RFN CM90	1
22	RFN P1	1



# Rim® TAV. 14

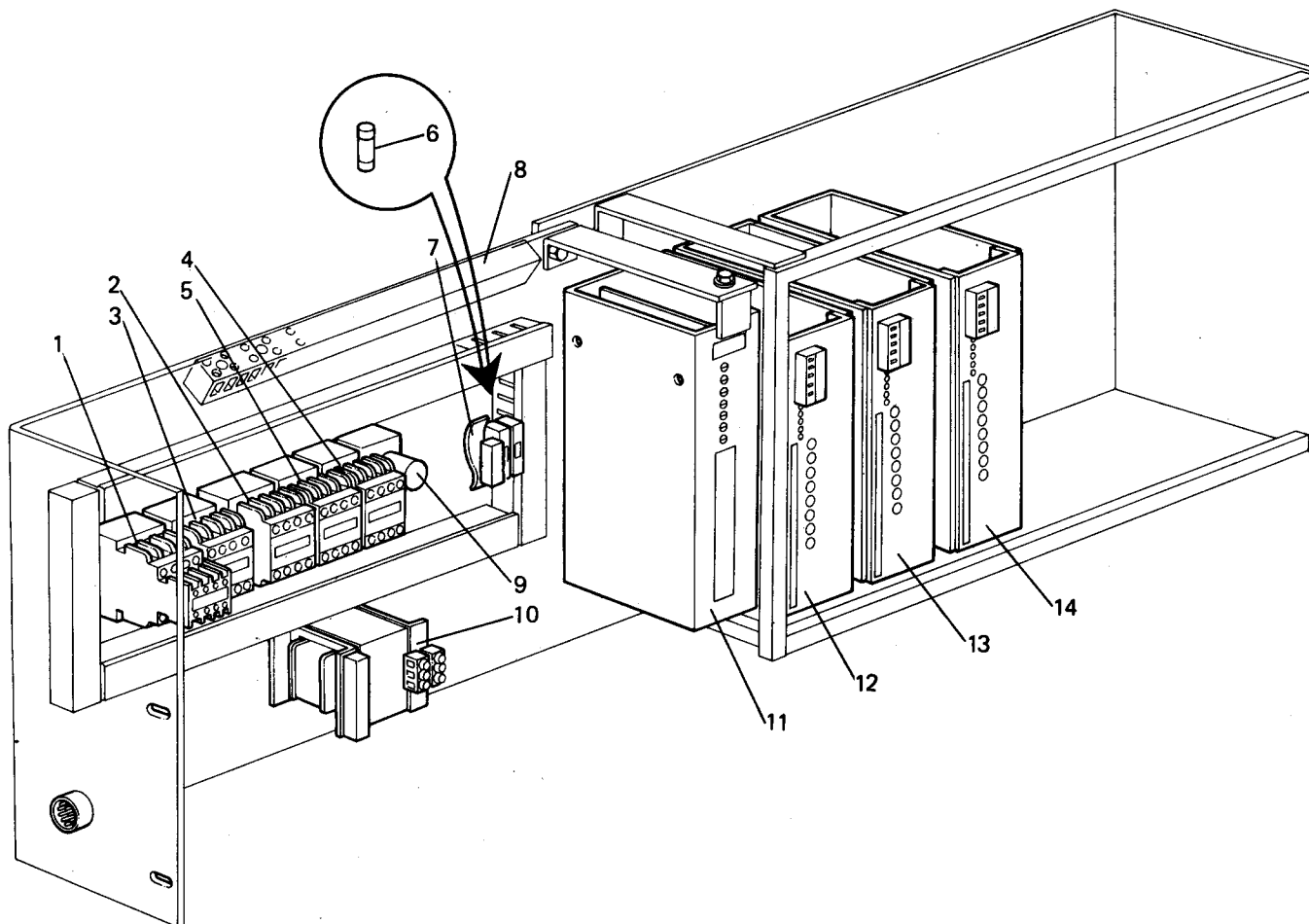


Fig. N.	Part. N. Pezce N.	Qt.
1	RFN K1	1
2	RFN K5	1
3	RFN K4	1
4	RFN K9	1
5	RFN K8	1
6	RFN F	1
7	RFN KR1	1
8	RFN XA	1
9	RFN K10	1
10	RFN T4 VA	1
11	RFN A1	1
12	RFN U1	1
13	RFN U2	1
14	RFN U3	1

## INDEX

## INDEX

SIMB.	TAV.	SIMB.	TAV.	SIMB.	TAV.	SIMB.	TAV.	SIMB.	TAV.	SIMB.	TAV.	SIMB.	TAV.
RFN 10/865	9	RFN 12/096	4	RFN 12/254	2-3	RFN 24/645	11	RFN E/070	12				
RFN 10/867	9	RFN 12/097	1	RFN 12/303/1	3	RFN 24/646	11	RFN E/072	12				
RFN 10/869	9	RFN 12/098/1	1	RFN 12/303/3	6	RFN 24/647	11	RFN E/073	12				
RFN 12/001	1	RFN 12/101	5-10	RFN 12/781	1	RFN 24/648	11	RFN E/074	12				
RFN 12/002	1	RFN 12/109	5-10	RFN 13/008	4	RFN 24/650	11	RFN F	14				
RFN 12/005/D	5	RFN 12/110	5-10	RFN 13/009	4	RFN 24/651	11	RFN Giunto	3				
RFN 12/005/S	5	RFN 12/111	5-10	RFN 13/010	4	RFN 24/652	11	RFN K1	14				
RFN 12/008/D	5	RFN 12/112	5-10	RFN 14/019	1	RFN 24/655	11	RFN K10	14				
RFN 12/008/S	5	RFN 12/113	10	RFN 14/035/1	4	RFN 25/001	6	RFN K4	14				
RFN 12/011/D	5	RFN 12/114	5-10	RFN 14/048	4	RFN 25/003	6	RFN K5	14				
RFN 12/011/S	5	RFN 12/115	5-10	RFN 14/076	4	RFN 25/004	6	RFN K8	14				
RFN 12/018/1	2	RFN 12/119/1	4	RFN 14/077	4	RFN 25/005	6	RFN K9	14				
RFN 12/019/D	5-10	RFN 12/123	4	RFN 14/280/G	13	RFN 25/009	6	RFN KOYO/25	3				
RFN 12/019/S	5-10	RFN 12/124/A	10	RFN 14/285	13	RFN 25/010	6	RFN KR1	14				
RFN 12/031/D	8	RFN 12/125	10	RFN 14/293	13	RFN 25/011	6	RFN M/12/401	9				
RFN 12/031/S	8	RFN 12/126	10	RFN 14/294	13	RFN 25/012	6	RFN M/12/406	4				
RFN 12/033	8	RFN 12/127/1	4	RFN 14/296/1	13	RFN 25/013	6	RFN P1	13				
RFN 12/034	5	RFN 12/129	4	RFN 14/298	13	RFN 25/014	6	RFN RR	13				
RFN 12/035	6	RFN 12/131/1	4	RFN 14/368	3	RFN 25/703	6	RFN RRV	13				
RFN 12/050/1	2	RFN 12/133	5-10	RFN 14/369	3	RFN 25/707/1	6	RFN RRV M	13				
RFN 12/052	2	RFN 12/134	5-10	RFN 14/370	3	RFN 25/708/1	6	RFN SM15	13				
RFN 12/053	2	RFN 12/135	5	RFN 14/451	9	RFN 98/010	11	RFN SM16	13				
RFN 12/055	2	RFN 12/136	5	RFN 14/452	2	RFN 98/312	3	RFN SM18	12				
RFN 12/065	3	RFN 12/139	5	RFN 14/454/1	9	RFN 98/416	3	RFN SM19	12				
RFN 12/066/1	3	RFN 12/141	5	RFN 14/455	9	RFN 99/530	12	RFN SM20	12				
RFN 12/066/2	3	RFN 12/145	5	RFN 14/456	9	RFN 99/532	7	RFN SP1	13				
RFN 12/067	1	RFN 12/146	5	RFN 14/457	9	RFN 99/627	12	RFN SP11	13				
RFN 12/068/1	1	RFN 12/152	5	RFN 14/459	9	RFN A1	14	RFN SP12	13				
RFN 12/069	1	RFN 12/193	12	RFN 14/801	10	RFN AJL/12	5	RFN SP16	13				
RFN 12/071	1	RFN 12/194	11	RFN 14/801/A	10	RFN CM90	13	RFN SP17	13				
RFN 12/072	1	RFN 12/195/1	12	RFN 14/802	10	RFN CS/6004	2	RFN SP18	13				
RFN 12/074	1	RFN 12/205	8	RFN 14/802/A	10	RFN CS/608/Z	7	RFN SP3	13				
RFN 12/075	1	RFN 12/205/E	8	RFN 14/803	10	RFN CS/6202	3	RFN SP6	13				
RFN 12/076	1	RFN 12/206	8	RFN 14/804	10	RFN E/006	6	RFN SP9	13				
RFN 12/079	1	RFN 12/207	7	RFN 14/805	10	RFN E/027	12	RFN T4 VA	14				
RFN 12/085	3	RFN 12/211	8	RFN 14/806	10	RFN E/041	3	RFN U1	14				
RFN 12/085/4	3	RFN 12/214	8	RFN 14/807	10	RFN E/041/1	3	RFN U2	14				
RFN 12/085/6	3	RFN 12/222	7	RFN 14/808	10	RFN E/043	3	RFN U3	14				
RFN 12/086/A	3	RFN 12/223	7	RFN 14/809	10	RFN E/045	3	RFN VC/2201	10				
RFN 12/086/B	3	RFN 12/226	7	RFN 14/828	10	RFN E/046/3	6-10	RFN VC/2202	10				
RFN 12/089	3	RFN 12/235	4	RFN 225/L100	5-6	RFN E/047	6	RFN VC/6001	6				
RFN 12/090	4	RFN 12/238	10	RFN 24/640	11	RFN E0/47/1	10	RFN XA	14				
RFN 12/094	4	RFN 12/243	5-10	RFN 24/641	11	RFN E/063	1	RFN XCK-S	4				
RFN 12/094/2	4	RFN 12/252	1	RFN 24/642/M	11	RFN E/063/1	1						
RFN 12/094/4	4	RFN 12/253	4	RFN 24/643/M	11	RFN E/069	12						

SOLO I PEZZI DI RICAMBIO ORIGINALI **Rimoldi**® MARCATI **Rim** GARANTISCONO EFFETTIVA INTERCAMBIABILITA' FUNZIONALITA', DURATA.

**Rimoldi**® ORIGINAL SPARE PARTS MARKED **Rim** ARE THE ONLY ONES WHICH GUARANTEE INTERCHANGEABILITY, FUNCTIONALITY, AND LONG MACHINE LIFE.

EXCLUSIVEMENT LES PIECES DE RECHANGE ORIGINALES **Rimoldi**® DI MARQUEES **Rim** GARANTISSENT UNE INTERCHANGEABILITE, UN CARACTERE FONCTIONNEL, UNE DUREE EFFECTIFS.

NUR DIE MIT **Rim** MARKIERTEN **Rimoldi**®-ORIGINALERSATZTEILE GARANTIEREN EINE EFFEKTIVE AUSTAUSCHBARKEIT, ZWECKENTSPRECHENDHEIT, LEBENSDAUER.

SOLO EL EMPLEO EXCLUSIVO DE REPUESTOS **Rimoldi**® DI MARCADOS **Rim** ASEGURAN LA CALIDAD DE INTERCAMBIABILIDAD, LA FUNCIONALIDAD Y LA DURACION.

La Rimoldi Necchi Srl si riserva il diritto di modificare o variare, per motivi di ordine tecnico o commerciale, i dati riportati nella presente pubblicazione.

Rimoldi Necchi Srl reserves the right to modify or vary, for technical or commercial reasons, the information printed in this brochure.

Rimoldi Necchi Srl se réserve le droit de modifier ou changer les données étagées sur la présente publication pour tous motifs d'ordre technique ou commercial.

Rimoldi Necchi Srl kann jederzeit aus technischen oder kommerziellen Gründen Änderungen an den in diesem Heft beschriebenen Erzeugnissen vornehmen.

Rimoldi Necchi Srl se reserva el derecho de modificar o variar, por motivos técnicos o comerciales, los datos aquí publicados.

DIRITTI RISERVATI: Nessuna riproduzione è permessa senza previa autorizzazione scritta della Rimoldi Necchi Srl.

ALL RIGHTS RESERVED: Reproduction in whole or in part is forbidden unless expressly authorized in writing by Rimoldi Necchi Srl.

DROIT RESERVES: Toute reproduction est interdite sans autorisation préalable écrite de Rimoldi Necchi Srl.

DERECHOS RESERVADOS: Se prohíbe la reproducción total o parcial sin previa autorización escrita de Rimoldi Necchi Srl.

VORBEHALTENE RECHTE: Keinerlei Widergabe ist ohne vorausgehender schriftlicher Genehmigung der Rimoldi Necchi Srl gestattet.