

Rimoldi® by **GF**®

QUALITY RECOGNIZED WORLDWIDE AT VERY COMPETITIVE PRICES

**F71-10-2MD-01 F71-10-2MD-02 F71-10-2MD-03 F71-10-2MD-04 F71-10-3MD-01 F71-10-3MD-02 F71-10-3MK-01
F71-11-2MD-01 F71-11-2MD-02 F71-11-2MK-04 F71-11-3MD-01 F71-16-2MD-01 F71-16-2MD-02 F71-16-2MD-03
F71-16-3MK-01 F71-34-2MD-03 F71-34-3MD-01 F71-34-3MD-02 F71-34-3MR-02 F71-34-3MX-02**

**F73-10-2MD-03 F73-10-2MD-04 F73-10-2MK-03 F73-10-3MD-01 F73-10-3MD-02 F73-10-3MK-02 F73-11-2MK-01
F73-11-2MK-04 F73-16-2MD-01 F73-16-2MD-02 F73-16-2MD-03 F73-16-3MD-01 F73-16-3MK-02 F73-30-2MR-01
F73-30-2MR-02 F73-30-2MR-03 F73-30-2MR-04 F73-34-2DR-01 F73-34-2DR-02 F73-34-3MD-02 F73-34-3MR-02
F73-46-3MD-05**

CATALOGO PEZZI DI RICAMBIO SPARE PARTS CATALOGUE

N 664



| <p>GUIDA PER LA CONSULTAZIONE DEL CATALOGO RICAMBI</p> | <p>GUIDELINES FOR THE USE OF THE SPARE PARTS CATALOGUE</p> | <p>GUIDE A LA CONSULTATION DU CATALOGUE PIECES DE RECHANGE</p> | <p>ANLEITUNG FÜR DIE BENUTZUNG DES ERSATZTEILKATALOGES</p> | <p>GUIA PARA LA CONSULTA DEL CATALOGO DE REPUESTOS</p> |
|--|---|---|--|---|
| <p>Tutti i particolari che compongono le Apparecchiature e le varianti, in funzione delle teste sulle quali vengono montate, sono riuniti in moduli.</p> | <p>All the parts which are components of devices and the variables are jointed in modules, in relation to the heads they are mounted on.</p> | <p>Toutes les pièces qui composent les dispositifs et les variantes, en fonction des têtes sur lesquelles elles sont montées, ont été regroupées en modules</p> | <p>Alle Teile die Vorrichtungen und die Varianten bilden sind, in Anbetracht auf die Oberteile, auf welche sie angebaut werden, in mehreren Tafeln dargestellt, wie im Inhaltsverzeichnis angegeben.</p> | <p>Todos los particulares que componen los dispositivos y las variantes, en función de los cabezales sobre los cuales vienen montados, son reunidos en módulos.</p> |
| <p>La composizione dell'Apparecchiatura interessata si ottiene consultando la tabella</p> | <p>The device composition is obtained by consulting the table</p> | <p>La composition du dispositif intéressé est obtenue en consultant le tableau</p> | <p>Die Zusammenstellung der Vorrichtung erstellt e man aufgrund der Tabelle</p> | <p>La composición del dispositivos deseado, se obtiene consultando la tabla</p> |
| <p>"COMPOSIZIONE APPARECCHIATURE"</p> | <p>"COMPOSITION DEVICES"</p> | <p>"COMPOSITION DISPOSITIFS".</p> | <p>"ZUSAMMENSTELLUNG VORRICHTUNGEN"</p> | <p>"COMPOSICION DISPOSITIVOS".</p> |
| <p>I particolari che compongono un gruppo sono riquadrati; i sottogruppi, anch'essi riquadrati, sono inseriti nel gruppo di appartenenza.</p> | <p>The parts wich are assembly components assembly are represented within a square; the sub-assembly, also represented within a square, are included in the assembly they are parts of.</p> | <p>Les pièces qui composent un groupe sont bordées; les sous-groupes eux mêmes bordés, sont insérés dans le groupe d'appartenance.</p> | <p>Alle Teile die eine Teilegruppe bilden, sind umrahmt; die Untergruppen, ebenfalls umrahmt, sind in der betreffenden Teilegruppe angeführt.</p> | <p>Los particulares que componen un grupo son encuadrados. Los subgrupos, aunque si son encuadrados, están iseridos en el grupo de pertenencia.</p> |
| <p>Tutti i particolari non fornibili separatamente non vengono richiamati, ma soltanto illustrati nel gruppo di appartenenza.</p> | <p>All the parts which are not supplyable separately, are not described, but only illustrated in the belonging group.</p> | <p>Toutes les pièces qui ne peuvent pas être fournies séparément ne sont pas rappelées mais illustrées dans le groupe d'appartenance.</p> | <p>Die nicht los lieferbaren Teile sind nicht alleine sondern immer zusammen mit der Aufbaugruppe eingetragen.</p> | <p>Todos los particulares no suministrables sueltos no estan señados, sino solamente ilustrados en el grupo al cual partenecen.</p> |
| <p>Per ordini di aghi, precisare il simbolo riportato in catalogo; in caso di dubbio allegare un ago campione o una bustina vuota.</p> | <p>When ordering needles, please specify the related catalogue symbol; if you have doubts, send a needle sample or an empty needle bag.</p> | <p>Pour les commandes d'aiguilles, préciser le symbole indiqué sur le catalogue; en cas de doute joindre une aiguille échantillon ou un sachet vide.</p> | <p>Für Aufträge über Nadeln ist die im Ersatzteilkatalog angeführte Teilenummer anzugeben; in Zweifelsfällen ist eine Nadel als Muster oder ein entsprechender leerer Nadelbrief beizulegen.</p> | <p>Por pedido de agujas, precisar el símbolo reproducido en el catálogo. En caso de duda, adjuntar un modelo o un sobre vacío.</p> |

TABELLA COMPOSIZIONE APPARECCHIATURE PER TESTE FENIX - COMPOSITION TABLE OF FENIX HEADS DEVICES


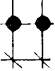
| TESTA HEAD Fenix |  | APPARECCHIATURA - DEVICE 517-ZC | | | | | ELETTRONICA DI COMANDO ELECTRONIC CONTROL SYSTEM | TESTA HEAD Fenix |  | APPARECCHIATURA - DEVICE 517-ZD | | | | |
|----------------------------|---|---|-------------|----------------------|-------------|--|---|----------------------------|---|---|----------------------|-------------|-------------------|---------------------------|
| | | APPARECCHIATURA - DEVICE 517-12 | | | | DISPOSITIVI AUSILIARI AUXILIARY DEVICES | | | | APPARECCHIATURA - DEVICE 517-42 | | | | |
| | | MOD. SPECIFICI TESTA HEAD SPECIFIC PARTS | DISPOSITIVI | DISPOSITIVI | DISPOSITIVI | | | | | MOD. SPECIFICI TESTA HEAD SPECIFIC PARTS | DISPOSITIVI | DISPOSITIVI | DISPOSITIVI | ELETTRONICA DI COMANDO |
| | | MOD. SOSTITUITI TESTA HEAD REPLACED PARTS | DEVICES | DEVICES | DEVICES | | | | | MOD. SOSTITUITI TESTA HEAD REPLACED PARTS | DEVICES | DEVICES | AUXILIARY DEVICES | ELECTRONIC CONTROL SYSTEM |
| WFS | WFS-0D | WFS-0D | WFS-0S | WFS-AA | WFS | WFS-0D | WFS-0D | WFS-0S | WFS-AA | | | | | |
| F73-10-2MD-03 | 3,5 | 0C-002-00-0 | 001-S0-0 | 538-A0-3 539-A0-2 | | 001-00-1 | F73-10-2MK-03 | 3,5 | 0C-002-00-0 | 001-S0-0 020-S0-1 | 538-A0-3 539-A0-2 | | 001-00-1 | |
| | | 0C-001-00-0 | | | | | | | 0C-001-00-0 | | | | | |
| F73-10-2MD-04 | 4,5 | 0C-002-00-0 | 001-S0-0 | 538-A0-3 539-A0-2 | | 001-00-1 | F73-10-3MK-02 | 6 | 0C-002-00-0 | 001-S0-0 020-S0-1 | 538-A0-3 539-A0-2 | | 001-00-1 | |
| | | 0C-001-00-0 | | | | | | | 0C-001-00-0 | | | | | |
| F73-10-3MD-01 | 4,5 | 0C-002-00-0 | 001-S0-0 | 538-A0-3 539-A0-2 | | 001-00-1 | F73-11-2MK-01 | 3,5 | 0C-002-00-0 | 001-S0-0 020-S0-1 | 538-A0-3 539-A0-2 | | 001-00-1 | |
| | | 0C-001-00-0 | | | | | | | 0C-001-00-0 | | | | | |
| F73-10-3MD-02 | 6 | 0C-002-00-0 | 001-S0-0 | 538-A0-3 539-A0-2 | | 001-00-1 | F73-11-2MK-04 | 4,5 | 0C-002-00-0 | 001-S0-0 020-S0-1 | 538-A0-3 539-A0-2 | | 001-00-1 | |
| | | 0C-001-00-0 | | | | | | | 0C-001-00-0 | | | | | |
| F73-16-2MD-03 | 3,5 | 0C-002-00-0 | 001-S0-0 | 538-A0-3 539-A0-2 | | 001-00-1 | F73-16-3MK-02 | 6 | 0C-002-00-0 | 001-S0-0 020-S0-1 | 538-A0-3 539-A0-2 | | 001-00-1 | |
| | | 0C-001-00-0 | | | | | | | 0C-001-00-0 | | | | | |
| F73-34-3MD-02 | 6 | 0C-002-00-0 | 001-S0-0 | 538-A0-3 539-A0-2 | | 001-00-1 | | | | | | | | |
| | | 0C-001-00-0 | | | | | | | | | | | | |
| F73-34-3MR-02 | 6 | 0C-002-00-0 | 001-S0-0 | 538-A0-3 539-A0-2 | | 001-00-1 | | | | | | | | |
| | | 0C-001-00-0 | | | | | | | | | | | | |
| F73-46-3MD-05 | 6 | 0C-002-00-0 | 001-S0-0 | 538-A0-3 539-A0-2 | | 001-00-1 | | | | | | | | |
| | | 0C-001-00-0 | | | | | | | | | | | | |

TABELLA COMPOSIZIONE APPARECCHIATURE PER TESTE FENIX - COMPOSITION TABLE OF FENIX HEADS DEVICES

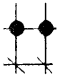
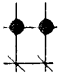
| TESTA HEAD Fenix |  | APPARECCHIATURA - DEVICE 538-ZC | | | | | ELETTRONICA DI COMANDO | TESTA HEAD Fenix |  | APPARECCHIATURA - DEVICE 538-ZD | | | | | ELETTRONICA DI COMANDO | | |
|---------------------|---|--|-------------|----------------------|-------------|--------------------------|------------------------------|---------------------|---|---------------------------------|--|-------------|-------------|-------------|------------------------------|--------------------------|-------------|
| | | APPARECCHIATURA - DEVICE 538-12 | | | | DISPOSITIVI AUSILIARI | | | | DISPOSITIVI AUSILIARI | APPARECCHIATURA - DEVICE 538-42 | | | | | DISPOSITIVI AUSILIARI | |
| | | MOD. SPECIFICI TESTA HEAD SPECIFIC PARTS | DISPOSITIVI | DISPOSITIVI | DISPOSITIVI | | | | | | MOD. SPECIFICI TESTA HEAD SPECIFIC PARTS | DISPOSITIVI | DISPOSITIVI | DISPOSITIVI | | | DISPOSITIVI |
| | | MOD. SOSTITUITI TESTA HEAD REPLACED PARTS | DEVICES | DEVICES | DEVICES | | | | | | MOD. SOSTITUITI TESTA HEAD REPLACED PARTS | DEVICES | DEVICES | DEVICES | | | DEVICES |
| WFS | WFS-0D | WFS-0D | WFS-0S | WFS-AA | WFS | WFS-0D | WFS-0D | WFS-0S | WFS-AA | | | | | | | | |
| F71-10-2MD-01 | 4,5 | 0C-002-00-0 | 001-S0-0 | 538-A0-3 051-S0-0 | | 001-00-1 | F71-10-3MK-01 | 6 | 0C-002-00-0 | 001-S0-0 020-S0-1 | 538-A0-3 051-S0-0 | | 001-00-1 | | | | |
| | | 0C-001-00-0 | | | | | | | 0C-001-00-0 | | | | | | | | |
| F71-10-2MD-02 | 6 | 0C-002-00-0 | 001-S0-0 | 538-A0-3 051-S0-0 | | 001-00-1 | F71-11-2MK-04 | 4,5 | 0C-002-00-0 | 001-S0-0 020-S0-1 | 538-A0-3 051-S0-0 | | 001-00-1 | | | | |
| | | 0C-001-00-0 | | | | | | | 0C-001-00-0 | | | | | | | | |
| F71-10-2MD-03 | 3,5 | 0C-002-00-0 | 001-S0-0 | 538-A0-3 051-S0-0 | | 001-00-1 | F71-16-3MK-01 | 6 | 0C-002-00-0 | 001-S0-0 020-S0-1 | 538-A0-3 051-S0-0 | | 001-00-1 | | | | |
| | | 0C-001-00-0 | | | | | | | 0C-001-00-0 | | | | | | | | |
| F71-10-2MD-04 | 4,5 | 0C-002-00-0 | 001-S0-0 | 538-A0-3 051-S0-0 | | 001-00-1 | F71-34-3MX-02 | 6 | 0C-002-00-0 | 001-S0-0 020-S0-1 | 538-A0-3 051-S0-0 | | 001-00-1 | | | | |
| | | 0C-001-00-0 | | | | | | | 0C-001-00-0 | | | | | | | | |
| F71-10-3MD-01 | 4,5 | 0C-002-00-0 | 001-S0-0 | 538-A0-3 051-S0-0 | | 001-00-1 | | | | | | | | | | | |
| | | 0C-001-00-0 | | | | | | | | | | | | | | | |
| F71-10-3MD-02 | 6 | 0C-002-00-0 | 001-S0-0 | 538-A0-3 051-S0-0 | | 001-00-1 | | | | | | | | | | | |
| | | 0C-001-00-0 | | | | | | | | | | | | | | | |
| F71-11-2MD-01 | 3,5 | 0C-002-00-0 | 001-S0-0 | 538-A0-3 051-S0-0 | | 001-00-1 | | | | | | | | | | | |
| | | 0C-001-00-0 | | | | | | | | | | | | | | | |
| F71-11-2MD-02 | 4,5 | 0C-002-00-0 | 001-S0-0 | 538-A0-3 051-S0-0 | | 001-00-1 | | | | | | | | | | | |
| | | 0C-001-00-0 | | | | | | | | | | | | | | | |
| F71-11-3MD-01 | 6 | 0C-002-00-0 | 001-S0-0 | 538-A0-3 051-S0-0 | | 001-00-1 | | | | | | | | | | | |
| | | 0C-001-00-0 | | | | | | | | | | | | | | | |
| F71-16-2MD-03 | 3,5 | 0C-002-00-0 | 001-S0-0 | 538-A0-3 051-S0-0 | | 001-00-1 | | | | | | | | | | | |
| | | 0C-001-00-0 | | | | | | | | | | | | | | | |
| F71-34-2MD-03 | 3,5 | 0C-002-00-0 | 001-S0-0 | 538-A0-3 051-S0-0 | | 001-00-1 | | | | | | | | | | | |
| | | 0C-001-00-0 | | | | | | | | | | | | | | | |
| F71-34-3MD-01 | 4,5 | 0C-002-00-0 | 001-S0-0 | 538-A0-3 051-S0-0 | | 001-00-1 | | | | | | | | | | | |
| | | 0C-001-00-0 | | | | | | | | | | | | | | | |
| F71-34-3MD-02 | 6 | 0C-002-00-0 | 001-S0-0 | 538-A0-3 051-S0-0 | | 001-00-1 | | | | | | | | | | | |
| | | 0C-001-00-0 | | | | | | | | | | | | | | | |
| F71-34-3MR-02 | 6 | 0C-002-00-0 | 001-S0-0 | 538-A0-3 051-S0-0 | | 001-00-1 | | | | | | | | | | | |
| | | 0C-001-00-0 | | | | | | | | | | | | | | | |

TABELLA COMPOSIZIONE APPARECCHIATURE PER TESTE FENIX - COMPOSITION TABLE OF FENIX HEADS DEVICES

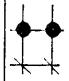

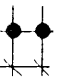
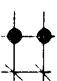
| TESTA HEAD Fenix |  | APPARECCHIATURA - DEVICE 557-ZC | | | | | ELETTRONICA DI COMANDO ELECTRONIC CONTROL SYSTEM | TESTA HEAD Fenix |  | APPARECCHIATURA - DEVICE 557-ZD | | | | |
|---------------------|---|--|-------------|----------------------|-----------------------|----------|---|---------------------|---|--|----------------------|-------------|-----------------------|-----|
| | | APPARECCHIATURA - DEVICE 557-12 | | | | | | | | APPARECCHIATURA - DEVICE 557-42 | | | | |
| | | MOD. SPECIFICI TESTA HEAD SPECIFIC PARTS | DISPOSITIVI | DISPOSITIVI | DISPOSITIVI AUSILIARI | WFS | | | | MOD. SPECIFICI TESTA HEAD SPECIFIC PARTS | DISPOSITIVI | DISPOSITIVI | DISPOSITIVI AUSILIARI | WFS |
| | | MOD. SOSTITUITI TESTA HEAD REPLACED PARTS | DEVICES | DEVICES | AUXILIARY DEVICES | | | | | MOD. SOSTITUITI TESTA HEAD REPLACED PARTS | DEVICES | DEVICES | AUXILIARY DEVICES | |
| WFS | | WFS-0D | WFS-0D | WFS-0S | WFS-AA | WFS | | WFS-0D | WFS-0D | WFS-0S | WFS-AA | | | |
| F73-10-2MD-03 | 3,5 | 0C-002-00-0 | 001-S0-0 | 558-A0-1 539-A1-0 | | 001-00-1 | F73-10-2MK-03 | 3,5 | 0C-002-00-0 | 001-S0-0 020-S0-1 | 558-A0-1 539-A1-0 | | 001-00-1 | |
| | | 0C-001-00-0 | | | | | | | 0C-001-00-0 | | | | | |
| F73-10-2MD-04 | 4,5 | 0C-002-00-0 | 001-S0-0 | 558-A0-1 539-A1-0 | | 001-00-1 | F73-10-3MK-02 | 6 | 0C-002-00-0 | 001-S0-0 020-S0-1 | 558-A0-1 539-A1-0 | | 001-00-1 | |
| | | 0C-001-00-0 | | | | | | | 0C-001-00-0 | | | | | |
| F73-10-3MD-01 | 4,5 | 0C-002-00-0 | 001-S0-0 | 558-A0-1 539-A1-0 | | 001-00-1 | F73-11-2MK-01 | 3,5 | 0C-002-00-0 | 001-S0-0 020-S0-1 | 558-A0-1 539-A1-0 | | 001-00-1 | |
| | | 0C-001-00-0 | | | | | | | 0C-001-00-0 | | | | | |
| F73-10-3MD-02 | 6 | 0C-002-00-0 | 001-S0-0 | 558-A0-1 539-A1-0 | | 001-00-1 | F73-11-2MK-04 | 4,5 | 0C-002-00-0 | 001-S0-0 020-S0-1 | 558-A0-1 539-A1-0 | | 001-00-1 | |
| | | 0C-001-00-0 | | | | | | | 0C-001-00-0 | | | | | |
| F73-16-2MD-03 | 3,5 | 0C-002-00-0 | 001-S0-0 | 558-A0-1 539-A1-0 | | 001-00-1 | F73-16-3MK-02 | 6 | 0C-002-00-0 | 001-S0-0 020-S0-1 | 558-A0-1 539-A1-0 | | 001-00-1 | |
| | | 0C-001-00-0 | | | | | | | 0C-001-00-0 | | | | | |
| F73-34-3MD-02 | 6 | 0C-002-00-0 | 001-S0-0 | 558-A0-1 539-A1-0 | | 001-00-1 | | | | | | | | |
| | | 0C-001-00-0 | | | | | | | | | | | | |
| F73-34-3MR-02 | 6 | 0C-002-00-0 | 001-S0-0 | 558-A0-1 539-A1-0 | | 001-00-1 | | | | | | | | |
| | | 0C-001-00-0 | | | | | | | | | | | | |
| F73-46-3MD-05 | 6 | 0C-002-00-0 | 001-S0-0 | 558-A0-1 539-A1-0 | | 001-00-1 | | | | | | | | |
| | | 0C-001-00-0 | | | | | | | | | | | | |

TABELLA COMPOSIZIONE APPARECCHIATURE PER TESTE FENIX - COMPOSITION TABLE OF FENIX HEADS DEVICES

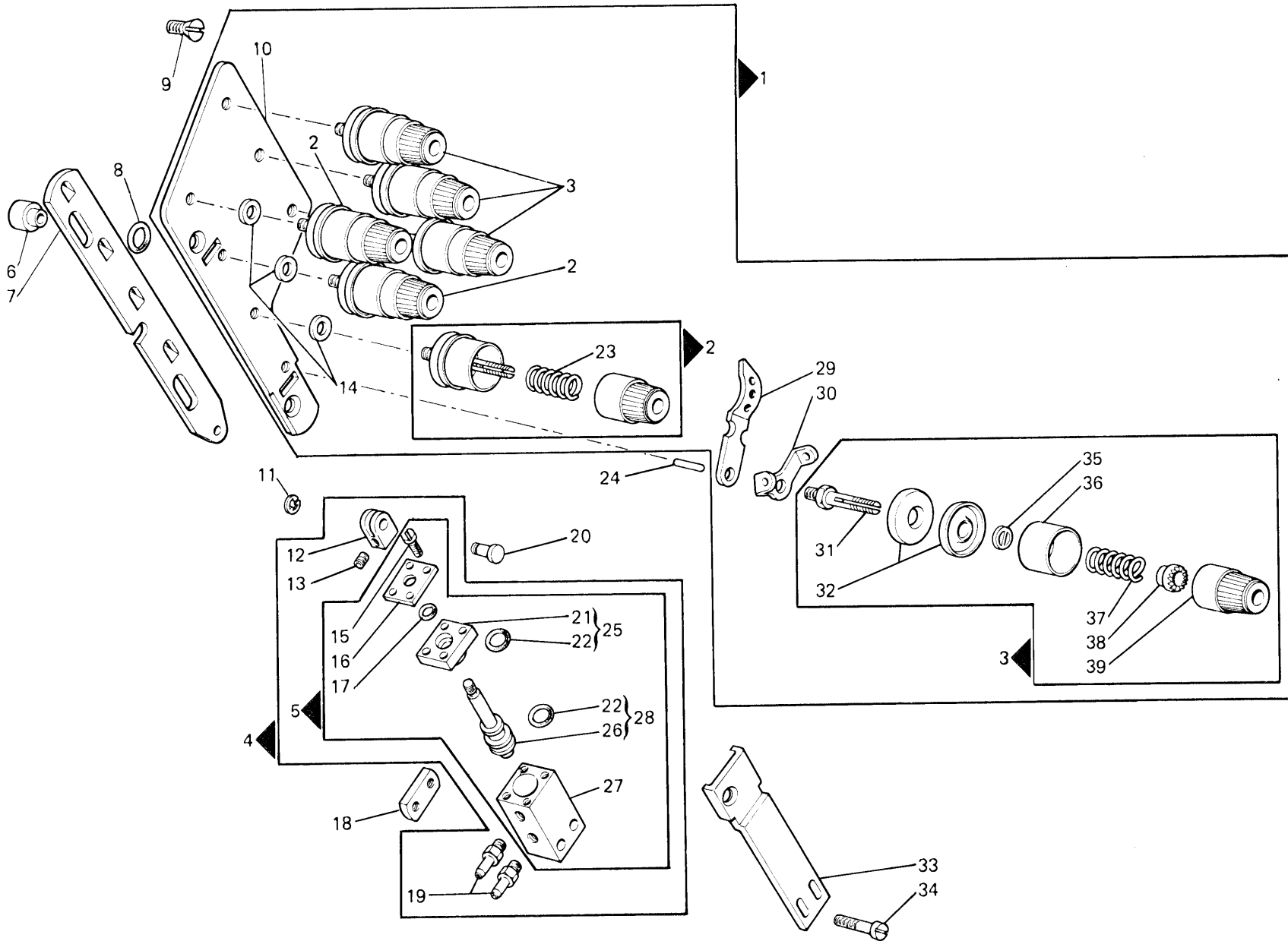
| TESTA HEAD Fenix |  | APPARECCHIATURA - DEVICE 558-ZC | | | | | TESTA HEAD Fenix |  | APPARECCHIATURA - DEVICE 558-ZD | | | | |
|---------------------|---|---|-------------|----------------------|-----------------------|---------------------------|---------------------|---|---|----------------------|----------------------|-----------------------|---------------------------|
| | | APPARECCHIATURA - DEVICE 558-12 | | | | | | | APPARECCHIATURA - DEVICE 558-42 | | | | |
| | | MOD. SPECIFICI TESTA HEAD SPECIFIC PARTS | DISPOSITIVI | DISPOSITIVI | DISPOSITIVI AUSILIARI | ELETRONICA DI COMANDO | | | MOD. SPECIFICI TESTA HEAD SPECIFIC PARTS | DISPOSITIVI | DISPOSITIVI | DISPOSITIVI AUSILIARI | ELETRONICA DI COMANDO |
| | | MOD. SOSTITUITI TESTA HEAD REPLACED PARTS | DEVICES | DEVICES | AUXILIARY DEVICES | ELECTRONIC CONTROL SYSTEM | | | MOD. SOSTITUITI TESTA HEAD REPLACED PARTS | DEVICES | DEVICES | AUXILIARY DEVICES | ELECTRONIC CONTROL SYSTEM |
| | WFS | WFS-0D | WFS-0D | WFS-0S | WFS-AA | | WFS | WFS-0D | WFS-0D | WFS-0S | WFS-AA | | |
| F71-10-2MD-01 | 4,5 | 0C-002-00-0 | 001-S0-0 | 558-A0-1 051-S0-0 | | 001-00-1 | F71-10-3MK-01 | 6 | 0C-002-00-0 | 001-S0-0 020-S0-1 | 558-A0-1 051-S0-0 | | 001-00-1 |
| | | 0C-001-00-0 | | | | | | | 0C-001-00-0 | | | | |
| F71-10-2MD-02 | 6 | 0C-002-00-0 | 001-S0-0 | 558-A0-1 051-S0-0 | | 001-00-1 | F71-11-2MK-04 | 4,5 | 0C-002-00-0 | 001-S0-0 020-S0-1 | 558-A0-1 051-S0-0 | | 001-00-1 |
| | | 0C-001-00-0 | | | | | | | 0C-001-00-0 | | | | |
| F71-10-2MD-03 | 3,5 | 0C-002-00-0 | 001-S0-0 | 558-A0-1 051-S0-0 | | 001-00-1 | F71-16-3MK-01 | 6 | 0C-002-00-0 | 001-S0-0 020-S0-1 | 558-A0-1 051-S0-0 | | 001-00-1 |
| | | 0C-001-00-0 | | | | | | | 0C-001-00-0 | | | | |
| F71-10-2MD-04 | 4,5 | 0C-002-00-0 | 001-S0-0 | 558-A0-1 051-S0-0 | | 001-00-1 | F71-34-3MX-02 | 6 | 0C-002-00-0 | 001-S0-0 020-S0-1 | 558-A0-1 051-S0-0 | | 001-00-1 |
| | | 0C-001-00-0 | | | | | | | 0C-001-00-0 | | | | |
| F71-10-3MD-01 | 4,5 | 0C-002-00-0 | 001-S0-0 | 558-A0-1 051-S0-0 | | 001-00-1 | | | | | | | |
| | | 0C-001-00-0 | | | | | | | | | | | |
| F71-10-3MD-02 | 6 | 0C-002-00-0 | 001-S0-0 | 558-A0-1 051-S0-0 | | 001-00-1 | | | | | | | |
| | | 0C-001-00-0 | | | | | | | | | | | |
| F71-11-2MD-01 | 3,5 | 0C-002-00-0 | 001-S0-0 | 558-A0-1 051-S0-0 | | 001-00-1 | | | | | | | |
| | | 0C-001-00-0 | | | | | | | | | | | |
| F71-11-2MD-02 | 4,5 | 0C-002-00-0 | 001-S0-0 | 558-A0-1 051-S0-0 | | 001-00-1 | | | | | | | |
| | | 0C-001-00-0 | | | | | | | | | | | |
| F71-11-3MD-01 | 6 | 0C-002-00-0 | 001-S0-0 | 558-A0-1 051-S0-0 | | 001-00-1 | | | | | | | |
| | | 0C-001-00-0 | | | | | | | | | | | |
| F71-16-2MD-03 | 3,5 | 0C-002-00-0 | 001-S0-0 | 558-A0-1 051-S0-0 | | 001-00-1 | | | | | | | |
| | | 0C-001-00-0 | | | | | | | | | | | |
| F71-34-2MD-03 | 3,5 | 0C-002-00-0 | 001-S0-0 | 558-A0-1 051-S0-0 | | 001-00-1 | | | | | | | |
| | | 0C-001-00-0 | | | | | | | | | | | |
| F71-34-3MD-01 | 4,5 | 0C-002-00-0 | 001-S0-0 | 558-A0-1 051-S0-0 | | 001-00-1 | | | | | | | |
| | | 0C-001-00-0 | | | | | | | | | | | |
| F71-34-3MD-02 | 6 | 0C-002-00-0 | 001-S0-0 | 558-A0-1 051-S0-0 | | 001-00-1 | | | | | | | |
| | | 0C-001-00-0 | | | | | | | | | | | |
| F71-34-3MR-02 | 6 | 0C-002-00-0 | 001-S0-0 | 558-A0-1 051-S0-0 | | 001-00-1 | | | | | | | |
| | | 0C-001-00-0 | | | | | | | | | | | |

GRUPPI DI COMPOSIZIONE - COMPOSITION KITS - GROUPES DE KIT - KIT GRUPPEN - GRUPOS DE COMPOSICION

DISPOSITIVI
DEVICES
DISPOSITIFS
VORRICHTUNGEN
DISPOSITIVOS

WFS-0C

1



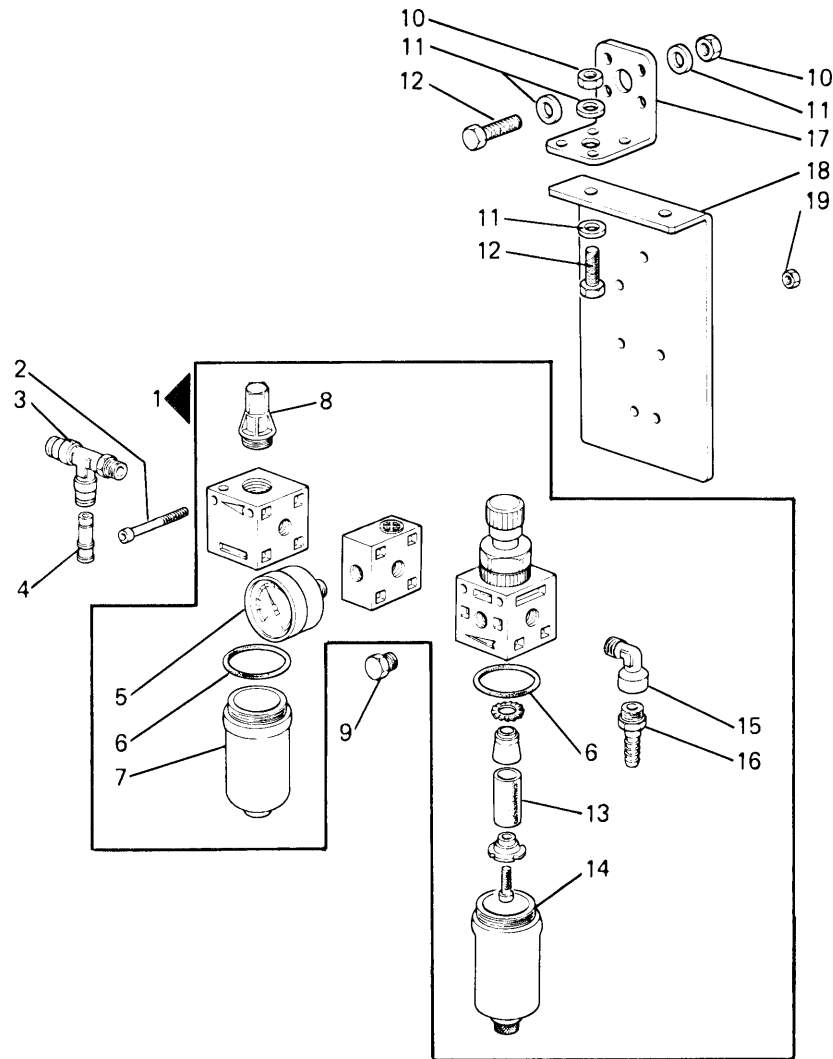
| Fig. N. | Part. N. Piece N. | Qt. |
|---------|-------------------|-----|
| 1 | 926038-4-00 | 1 |
| 2 | 308518-4-00 | 3 |
| 3 | 308521-4-00 | 4 |
| 4 | 924735-4-12 | 1 |
| 5 | 942883-4-00 | 1 |
| 6 | 315071-0-00 | 2 |
| 7 | 315072-0-00 | 1 |
| 8 | 701405-0-00 | 2 |
| 9 | 724947-2-00 | 2 |
| 10 | 926036-0-00 | 1 |
| 11 | 700205-0-00 | 1 |
| 12 | 924739-0-10 | 1 |
| 13 | 745800-2-00 | 1 |
| 14 | 704109-2-00 | 3 |
| 15 | 741495-0-00 | 4 |
| 16 | 924745-0-20 | 1 |
| 17 | 701104-0-00 | 1 |
| 18 | 924740-0-10 | 1 |
| 19 | 924701-0-11 | 2 |
| 20 | 202100-0-10 | 1 |
| 21 | 924736-0-21 | 1 |
| 22 | 701009-0-00 | 2 |
| 23 | 200710-0-10 | 3 |
| 24 | 308506-0-00 | 4 |
| 25 | 926669-4-01 | 1 |
| 26 | 924737-0-21 | 1 |
| 27 | 924734-0-20 | 1 |
| 28 | 924738-4-21 | 1 |
| 29 | 308501-0-01 | 4 |
| 30 | 308503-0-01 | 7 |
| 31 | 308505-0-00 | 7 |
| 32 | 300218-0-10 | 14 |
| 33 | 932465-0-00 | 1 |
| 34 | 721086-2-00 | 2 |
| 35 | 308507-0-00 | 7 |
| 36 | 202556-0-01 | 7 |
| 37 | 200714-0-10 | 4 |
| 38 | 202229-0-11 | 7 |
| 39 | 202558-0-00 | 7 |

GRUPPI DI COMPOSIZIONE - COMPOSITION KITS - GROUPES DE KIT - KIT GRUPPEN - GRUPOS DE COMPOSICION

DISPOSITIVI
DEVICES
DISPOSITIFS
VORRICHTUNGEN
DISPOSITIVOS

WFS-0D

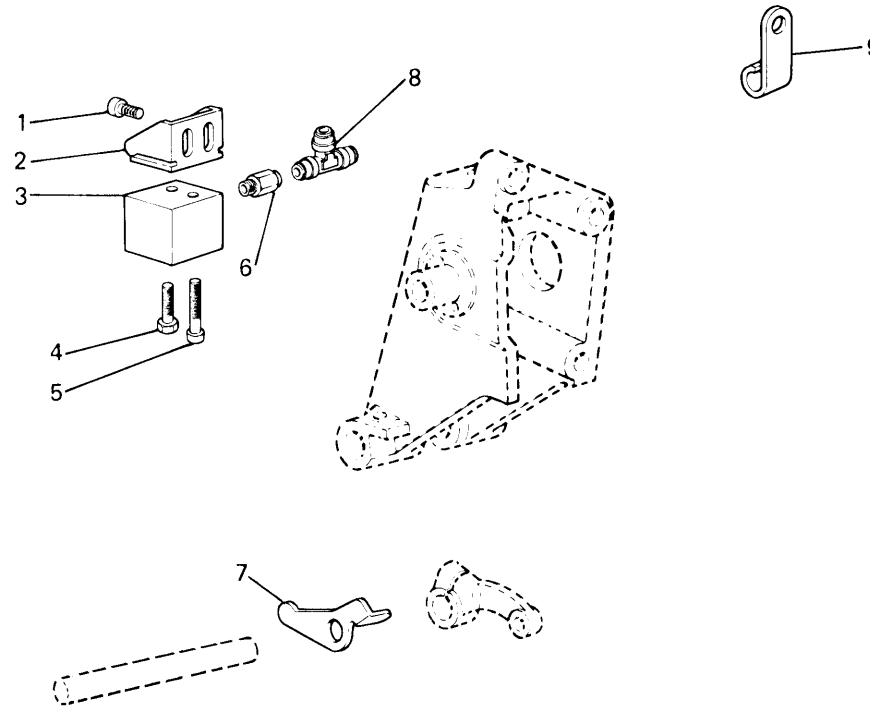
| Fig. N. | Part. N. Piece N. | Qt. |
|---------|-------------------|-----|
| 1 | 932621-4-00 | 1 |
| 2 | 722531-2-00 | 2 |
| 3 | 941525-4-00 | 1 |
| 4 | 941561-4-00 | 1 |
| 5 | 922846-4-00 | 1 |
| 6 | 701133-0-00 | 2 |
| 7 | 925198-4-00 | 1 |
| 8 | 925199-4-00 | 1 |
| 9 | 925779-0-00 | 1 |
| 10 | 733510-2-00 | 2 |
| 11 | 704011-0-00 | 4 |
| 12 | 722525-2-00 | 2 |
| 13 | 925196-0-00 | 1 |
| 14 | 925197-4-00 | 1 |
| 15 | 932787-0-00 | 1 |
| 16 | 922775-0-00 | 1 |
| 17 | 925513-0-00 | 1 |
| 18 | 932480-0-00 | 1 |
| 19 | 733505-2-00 | 2 |



WFS-0D-020-S0-1

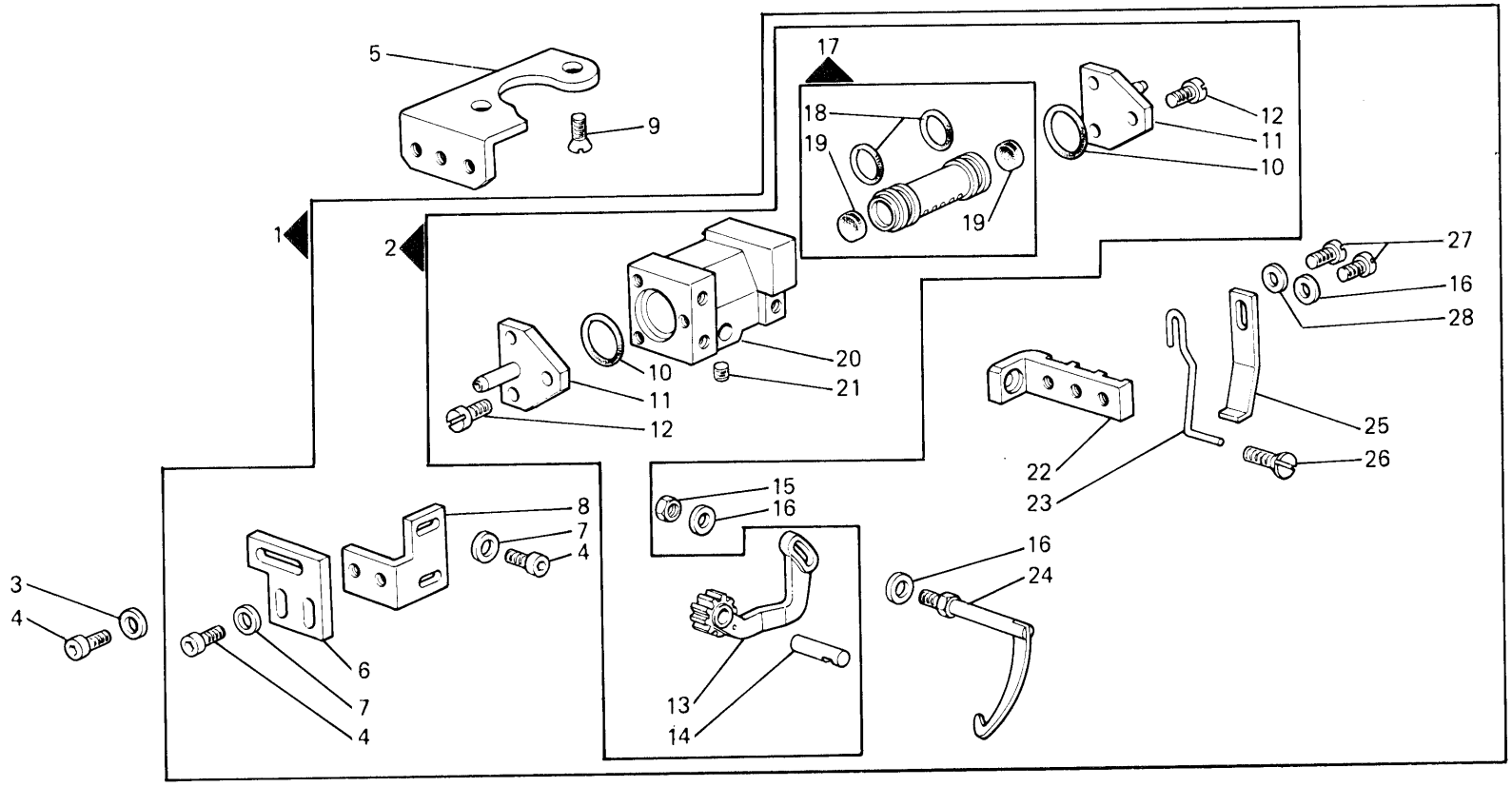
Rim®

1

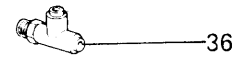
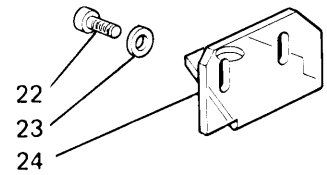
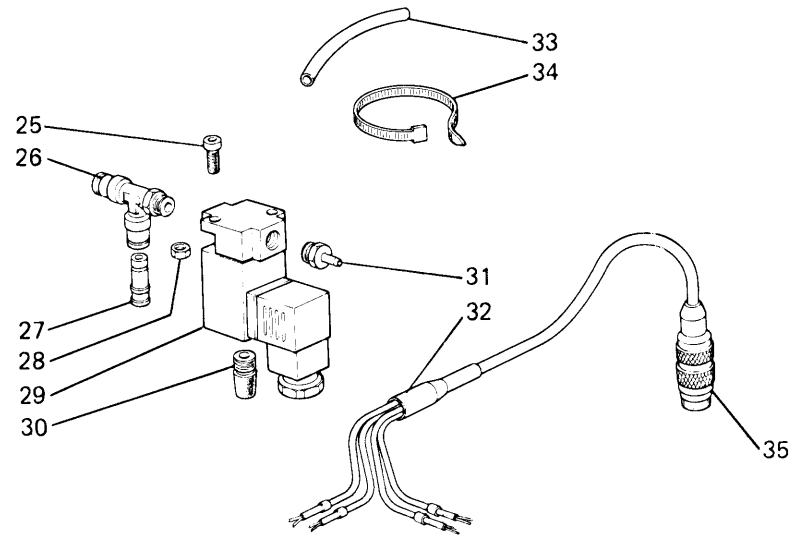
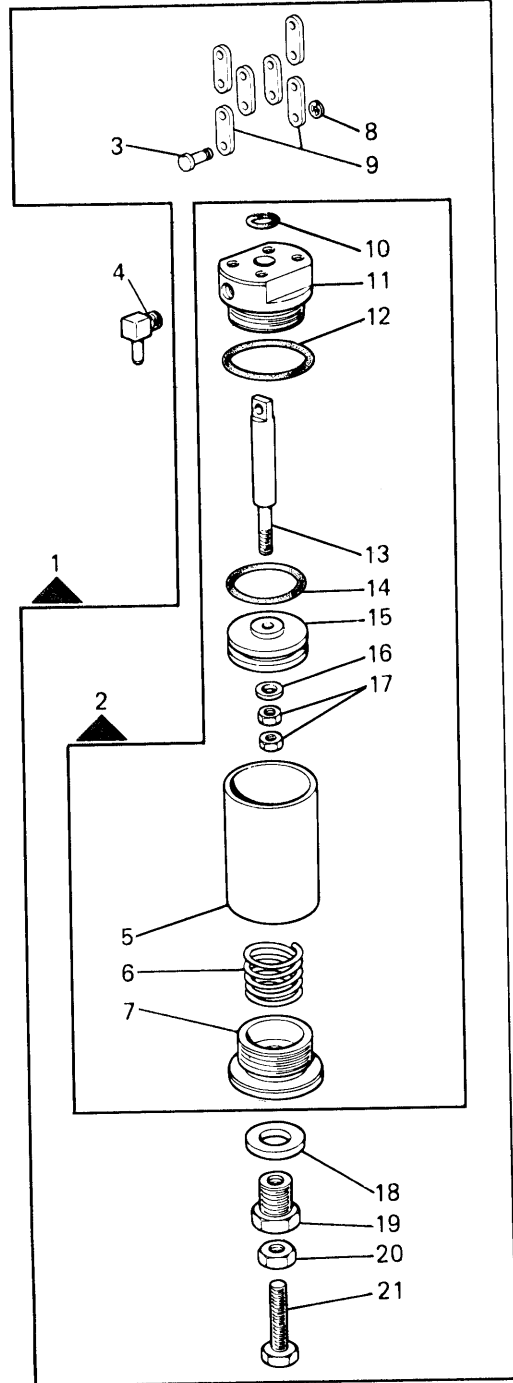


| Fig. N. | Part. N. Piece N. | Qt. |
|---------|-------------------|-----|
| 1 | 722422-2-00 | 2 |
| 2 | 922939-0-00 | 1 |
| 3 | 922941-4-00 | 1 |
| 4 | 944925-0-00 | 1 |
| 5 | 722492-2-00 | 2 |
| 6 | 941502-4-00 | 1 |
| 7 | 922938-0-00 | 1 |
| 8 | 941537-4-00 | 1 |
| 9 | 921047-0-10 | 1 |

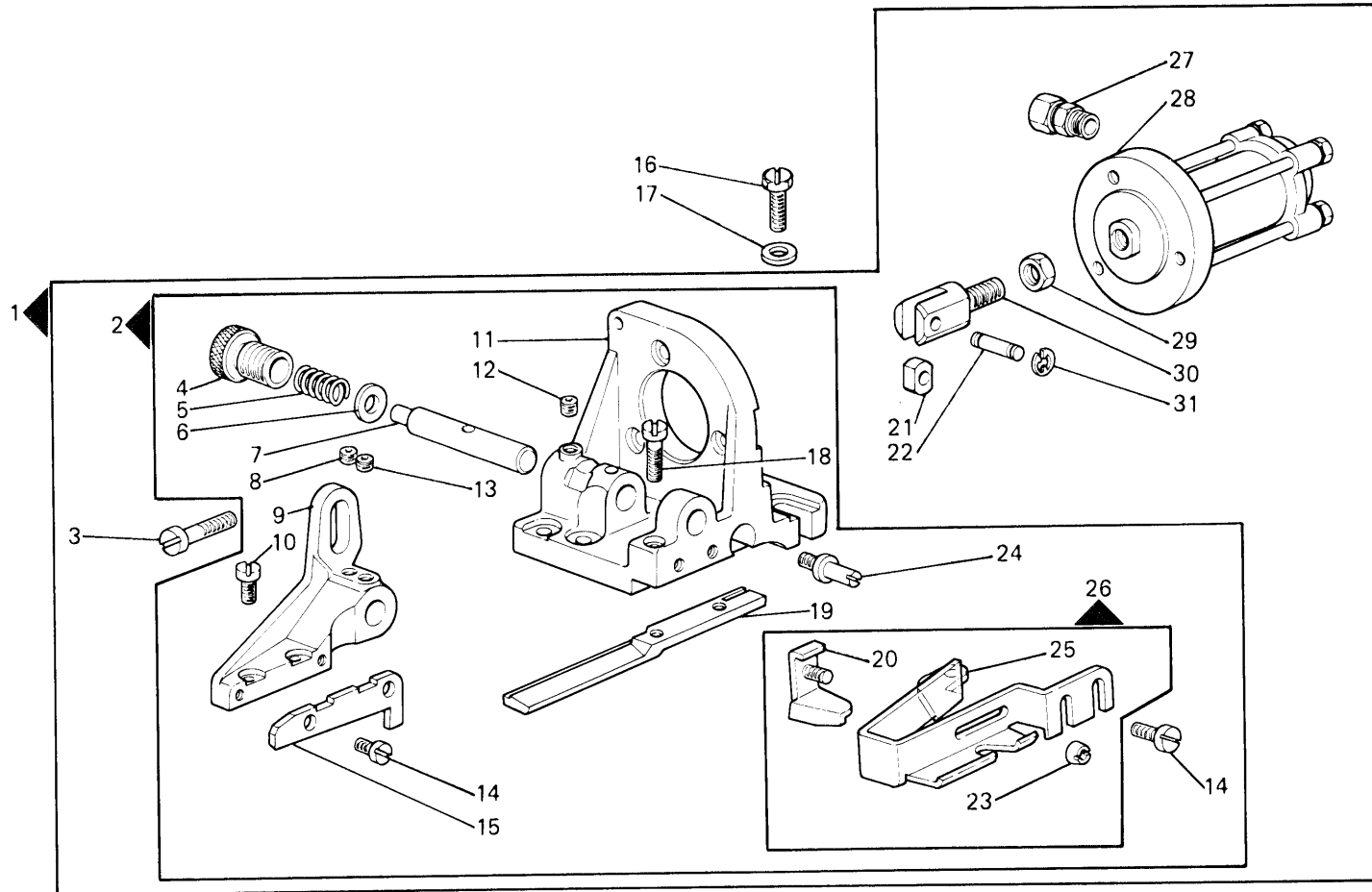
1



| Fig. N. | Part. N. Piece N | Qt. |
|---------|------------------|-----|
| 1 | 932450-4-00 | 1 |
| 2 | 944895-4-01 | 1 |
| 3 | 704106-2-00 | 2 |
| 4 | 722411-2-00 | 6 |
| 5 | 932451-0-00 | 1 |
| 6 | 944768-0-01 | 1 |
| 7 | 704106-2-00 | 4 |
| 8 | 944769-0-01 | 1 |
| 9 | 725611-2-00 | 2 |
| 10 | 701017-0-00 | 2 |
| 11 | 924387-2-00 | 2 |
| 12 | 741634-2-00 | 6 |
| 13 | 924369-2-11 | 1 |
| 14 | 924356-0-10 | 1 |
| 15 | 746002-2-00 | 1 |
| 16 | 704302-4-00 | 3 |
| 17 | 924367-2-13 | 1 |
| 18 | 701009-0-00 | 2 |
| 19 | 932483-0-00 | 2 |
| 20 | 944891-0-00 | 1 |
| 21 | 745800-2-00 | 1 |
| 22 | 944675-0-00 | 1 |
| 23 | 944894-0-00 | 1 |
| 24 | 924366-2-11 | 1 |
| 25 | 924354-0-00 | 1 |
| 26 | 724442-2-00 | 1 |
| 27 | 741634-2-00 | 2 |
| 28 | 704004-0-00 | 1 |



| Fig. N. | Part. N. Piece N. | Qt. |
|---------|-------------------|-----|
| 1 | 932477-4-00 | 1 |
| 2 | 932476-4-00 | 1 |
| 3 | 203211-0-10 | 4 |
| 4 | 925761-0-01 | 1 |
| 5 | 925750-0-01 | 1 |
| 6 | 925754-0-01 | 1 |
| 7 | 925756-0-01 | 1 |
| 8 | 700205-0-00 | 4 |
| 9 | 990765-0-00 | 6 |
| 10 | 701007-0-00 | 1 |
| 11 | 924806-0-10 | 1 |
| 12 | 701132-0-00 | 1 |
| 13 | 932475-0-00 | 1 |
| 14 | 701037-0-00 | 1 |
| 15 | 924804-0-11 | 1 |
| 16 | 704218-2-00 | 1 |
| 17 | 746402-2-00 | 2 |
| 18 | 704014-0-00 | 1 |
| 19 | 925820-0-00 | 1 |
| 20 | 733510-2-00 | 1 |
| 21 | 720555-2-00 | 1 |
| 22 | 722422-2-00 | 2 |
| 23 | 704108-2-00 | 2 |
| 24 | 926065-0-00 | 1 |
| 25 | 722421-2-00 | 2 |
| 26 | 941524-4-00 | 1 |
| 27 | 941561-4-00 | 1 |
| 28 | 733505-2-00 | 2 |
| 29 | 925234-4-11 | 1 |
| 30 | 924851-0-10 | 1 |
| 31 | 941502-4-00 | 1 |
| 32 | 800437-4-10 | 1 |
| 33 | M295190405 | 1 |
| 34 | 920258-0-10 | 6 |
| 35 | 923694-0-00 | 1 |
| 36 | 941523-4-00 | 1 |



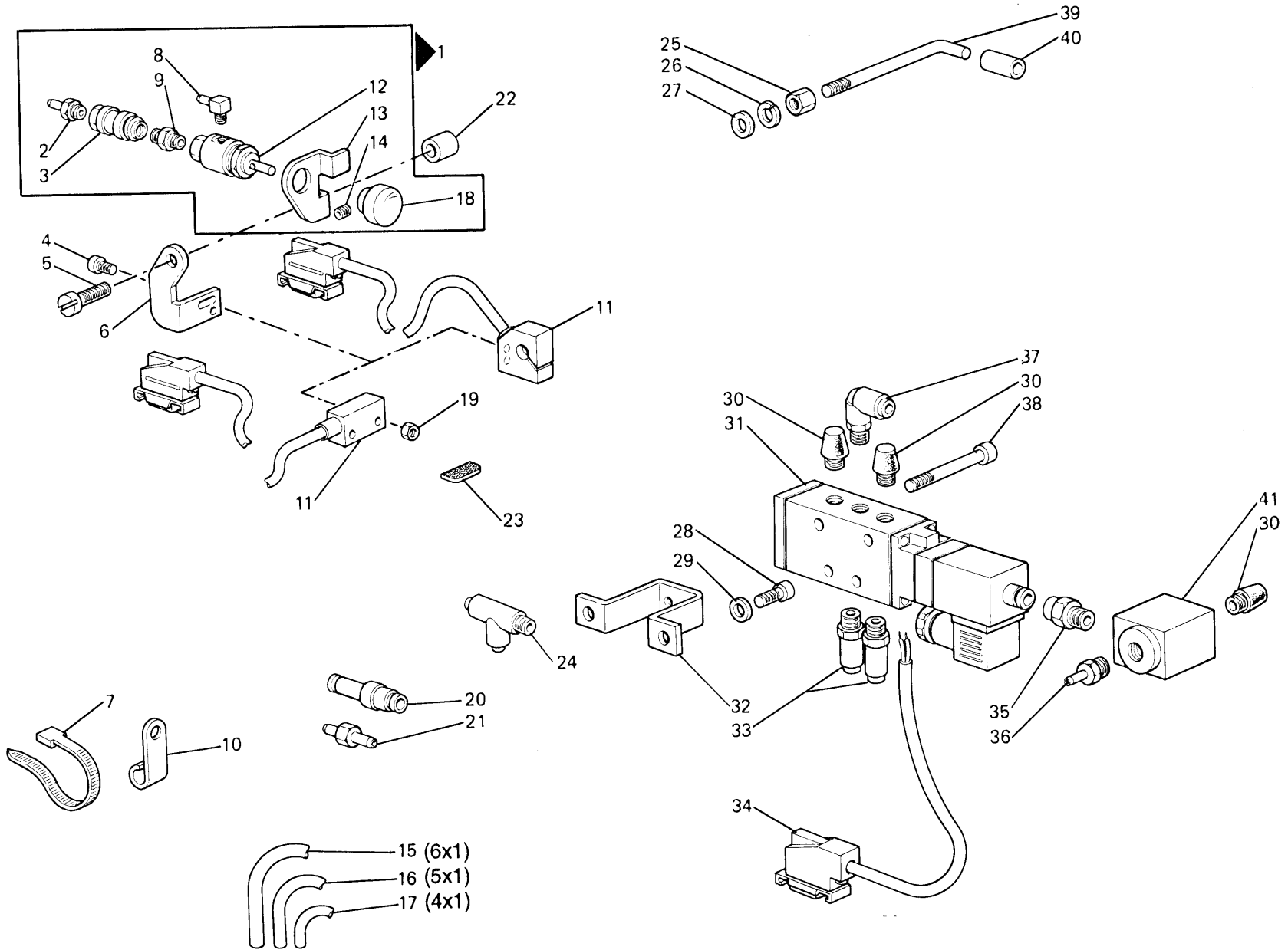
| Fig. N. | Part. N. Piece N. | Qt. |
|---------|-------------------|-----|
| 1 | 927679-4-00 | 1 |
| 2 | 921199-4-00 | 1 |
| 3 | 722084-2-00 | 3 |
| 4 | 921564-0-00 | 1 |
| 5 | 921097-0-10 | 1 |
| 6 | 704821-0-00 | 1 |
| 7 | 921094-0-10 | 1 |
| 8 | 730033-5-00 | 1 |
| 9 | 921086-0-11 | 1 |
| 10 | 721435-2-00 | 2 |
| 11 | 921090-0-12 | 1 |
| 12 | 202391-0-11 | 1 |
| 13 | 729023-5-00 | 1 |
| 14 | 742027-2-00 | 5 |
| 15 | 921754-0-11 | 1 |
| 16 | 740269-5-00 | 2 |
| 17 | 704424-2-00 | 2 |
| 18 | 741056-0-00 | 2 |
| 19 | 921756-0-12 | 1 |
| 20 | 921772-2-11 | 1 |
| 21 | 928627-0-01 | 1 |
| 22 | 921196-0-00 | 1 |
| 23 | 921778-0-00 | 1 |
| 24 | 921751-0-10 | 1 |
| 25 | 921198-0-00 | 1 |
| 26 | 921197-4-00 | 1 |
| 27 | 941503-4-00 | 2 |
| 28 | 927689-4-00 | 1 |
| 29 | 746414-2-00 | 1 |
| 30 | 921211-0-00 | 1 |
| 31 | 700207-0-00 | 2 |

SEGUE
FOLLOWS

WFS-0D-195-A0-0

Rim®

2

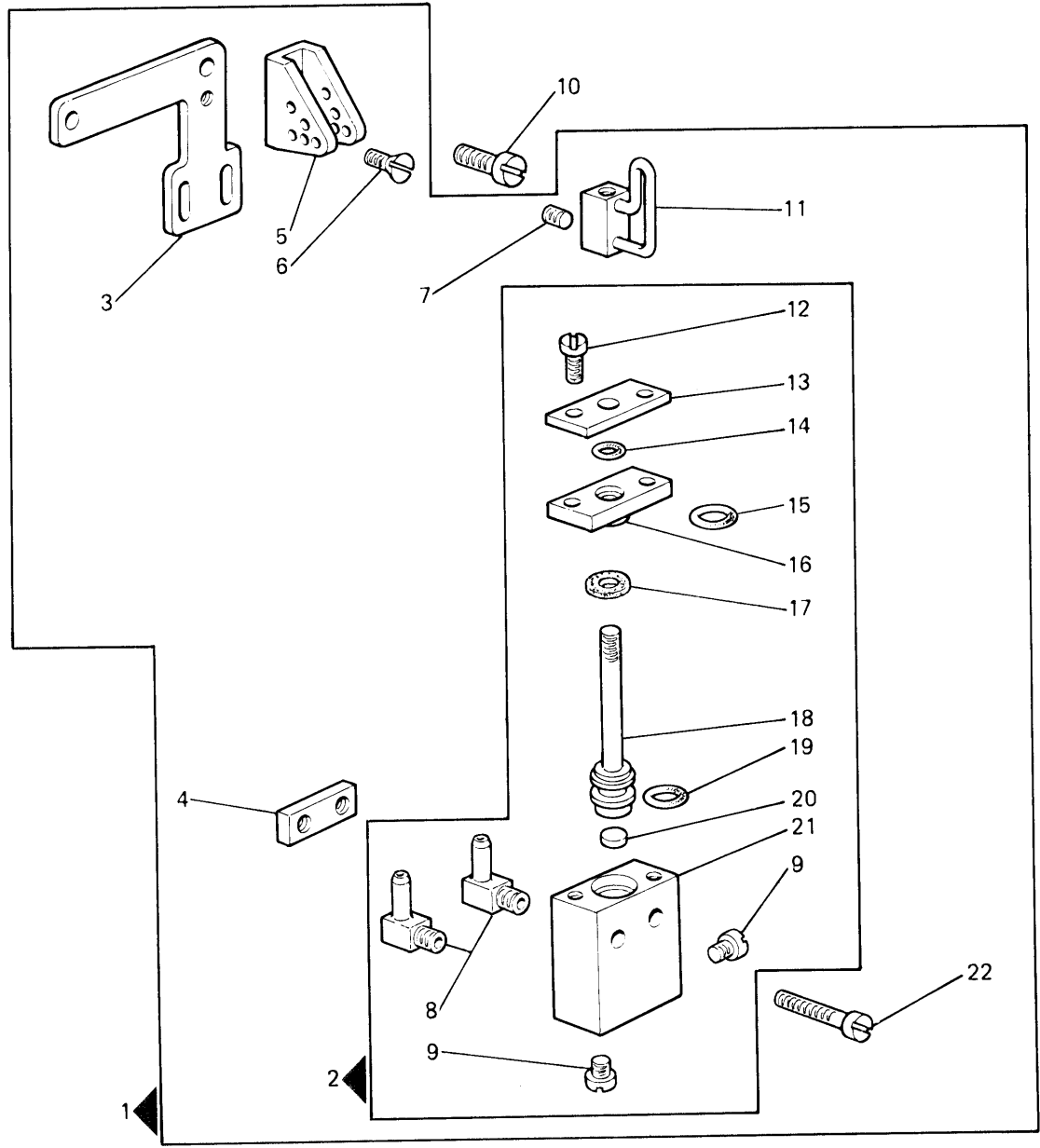


| Fig. N. | Part. N. Piece N. | Qt. |
|---------|-------------------|-----|
| 1 | 931837-4-0 | 1 |
| 2 | 927655-0-00 | 1 |
| 3 | 932242-4-00 | 1 |
| 4 | 722400-2-00 | 2 |
| 5 | 930282-0-10 | 1 |
| 6 | 932472-0-10 | 1 |
| 7 | 920258-0-10 | 14 |
| 8 | 943892-0-01 | 1 |
| 9 | 926836-0-00 | 1 |
| 10 | 921047-0-10 | 1 |
| 11 | 800438-4-10 | 1 |
| 12 | 942780-0-10 | 1 |
| 13 | 931835-0-00 | 1 |
| 14 | 729011-2-00 | 1 |
| 15 | M295570610 | |
| 16 | M295171476 | |
| 17 | M295170415 | |
| 18 | 924782-0-10 | 1 |
| 19 | 733503-2-00 | 2 |
| 20 | 941565-4-00 | 1 |
| 21 | 925512-0-00 | 1 |
| 22 | 943148-0-00 | 1 |
| 23 | 929940-0-00 | 1 |
| 24 | 941538-4-00 | 1 |
| 25 | 733507-2-00 | 1 |
| 26 | 703007-0-00 | 1 |
| 27 | 704409-2-00 | 1 |
| 28 | 722422-2-00 | 2 |
| 29 | 704108-2-00 | 2 |
| 30 | 924851-0-10 | 3 |
| 31 | 929299-4-11 | 1 |
| 32 | 932485-0-00 | 1 |
| 33 | 941503-4-00 | 2 |
| 34 | 800440-4-00 | 1 |
| 35 | 940561-0-00 | 1 |
| 36 | 924870-0-10 | 1 |
| 37 | 941511-4-00 | 1 |
| 38 | 722491-2-00 | 2 |
| 39 | 932474-0-00 | 1 |
| 40 | --- | 1 |
| 41 | 941419-0-00 | 1 |

WFS-0D-538-A0-3

Rim®

1



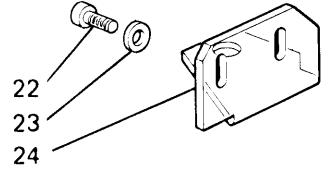
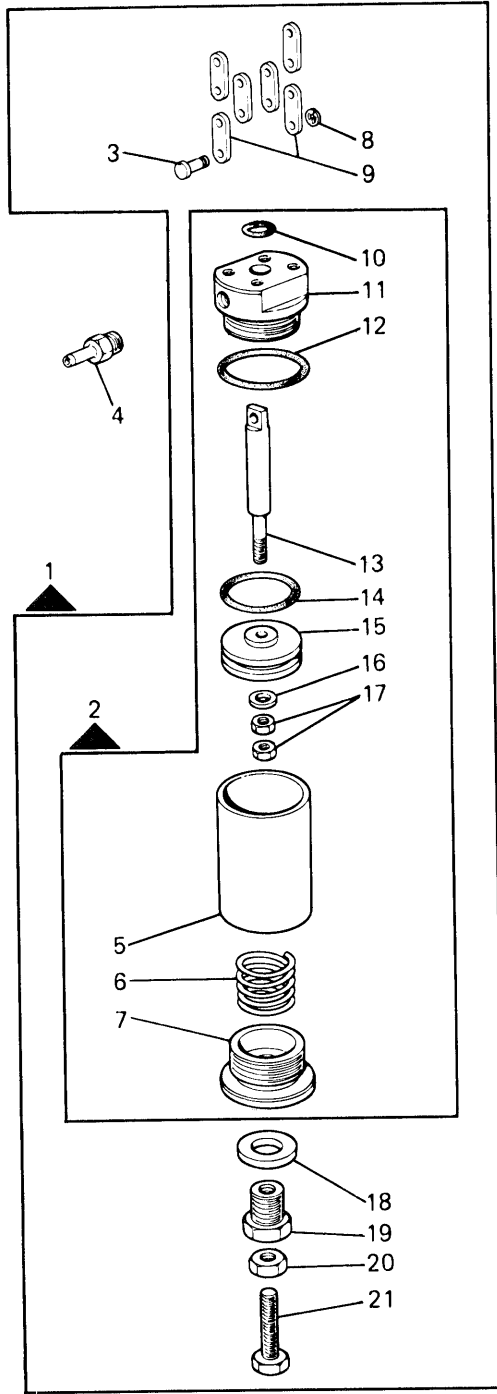
| Fig. N. | Part. N. Piece N. | Qt. |
|---------|-------------------|-----|
| 1 | 932467-4-10 | 1 |
| 2 | 933212-4-00 | 1 |
| 3 | 315138-0-00 | 1 |
| 4 | 924730-0-20 | 1 |
| 5 | 924729-0-10 | 1 |
| 6 | 724411-0-00 | 1 |
| 7 | 745810-5-00 | 1 |
| 8 | 943765-0-01 | 2 |
| 9 | 741303-4-00 | 3 |
| 10 | 741936-2-00 | 1 |
| 11 | 924980-2-12 | 1 |
| 12 | 722070-2-00 | 2 |
| 13 | 924047-0-00 | 1 |
| 14 | 701003-0-00 | 1 |
| 15 | 701007-0-00 | 1 |
| 16 | 924048-0-00 | 1 |
| 17 | 924402-0-00 | 1 |
| 18 | 933210-0-00 | 1 |
| 19 | 701004-0-00 | 1 |
| 20 | 924045-0-00 | 1 |
| 21 | 933211-0-00 | 1 |
| 22 | 722123-2-00 | 2 |

SEGUE
FOLLOWS

WFS-0D-538-A0-3

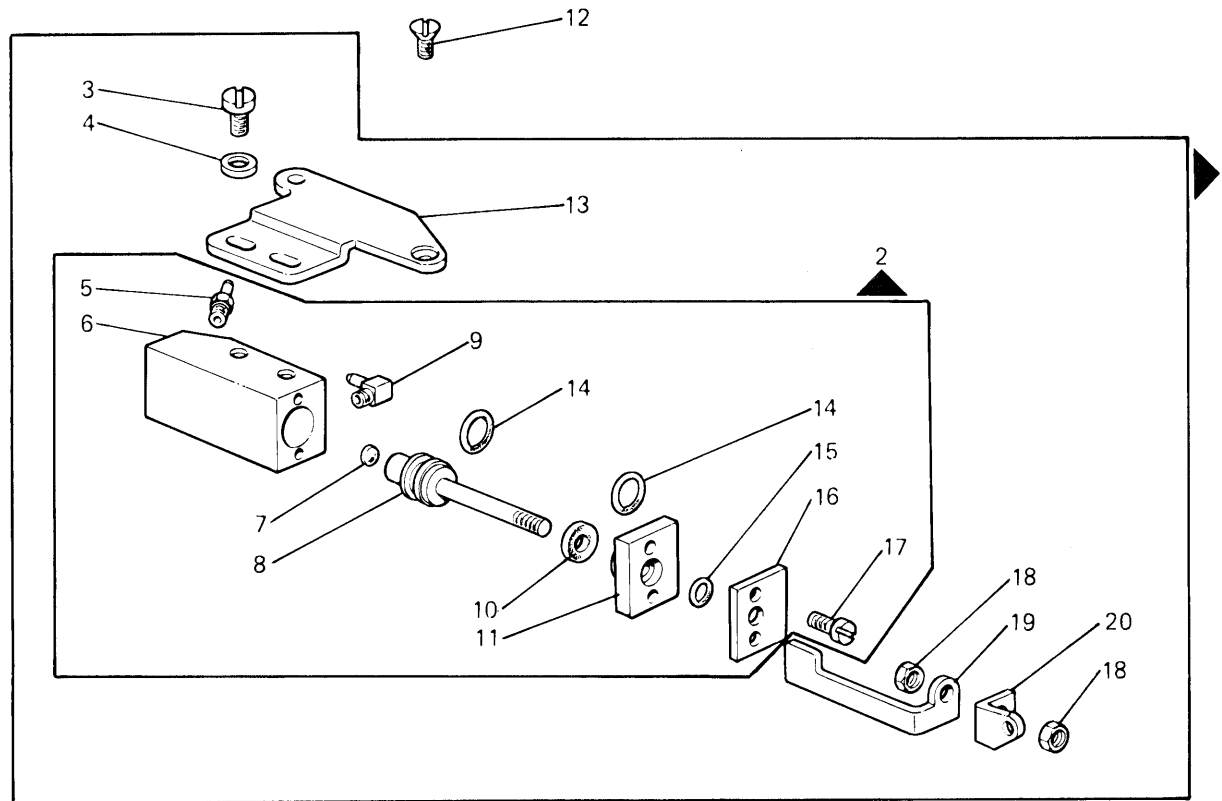
Rim®

2



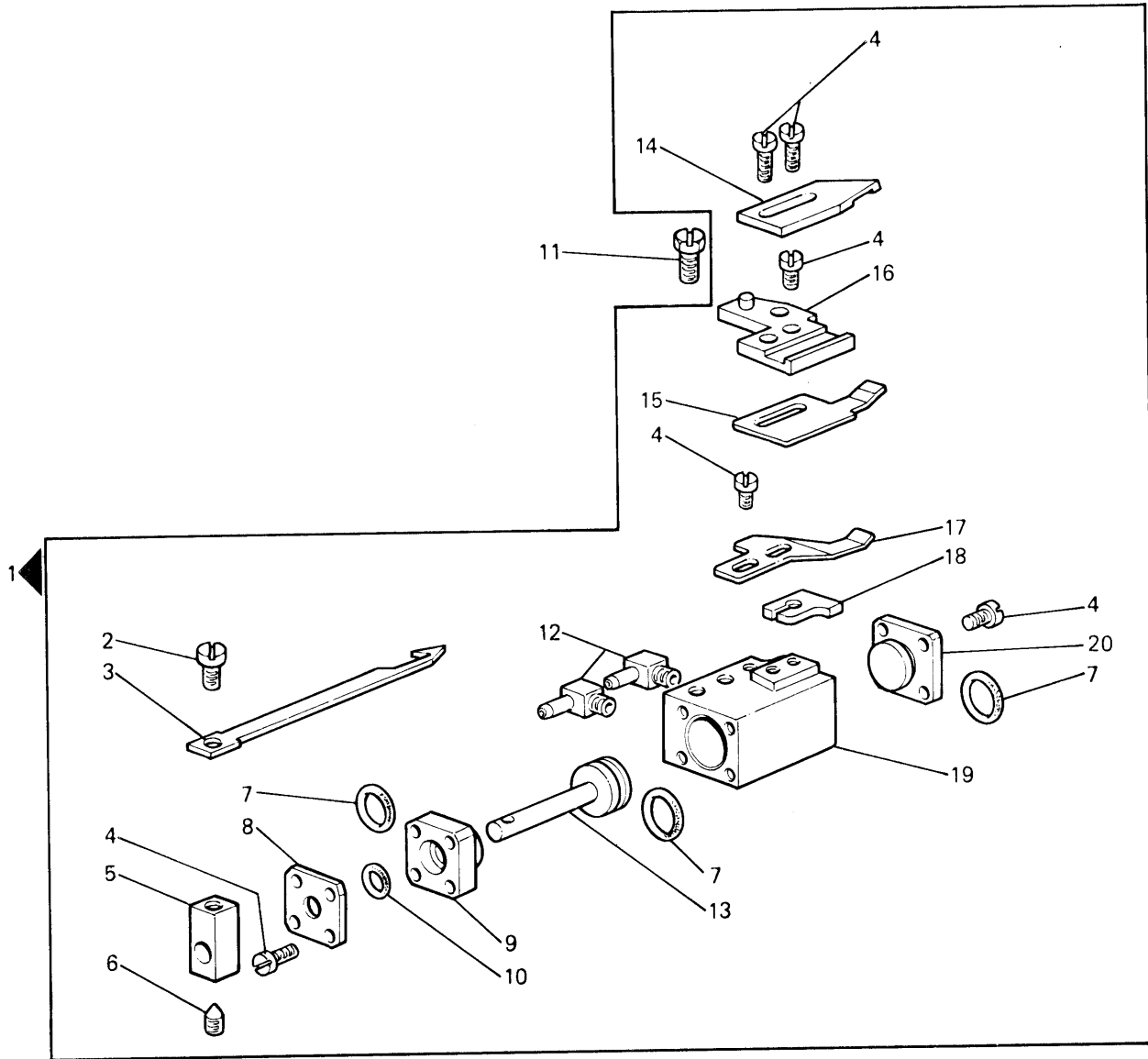
| Fig. N. | Part. N. Pecce N. | Qt. |
|---------|----------------------|-----|
| 1 | 932477-4-00 | 1 |
| 2 | 932476-4-00 | 1 |
| 3 | 203211-0-10 | 4 |
| 4 | 924380-0-00 | 1 |
| 5 | 925750-0-01 | 1 |
| 6 | 925754-0-01 | 1 |
| 7 | 925756-0-01 | 1 |
| 8 | 700205-0-00 | 4 |
| 9 | 990765-0-00 | 6 |
| 10 | 701007-0-00 | 1 |
| 11 | 924806-0-10 | 1 |
| 12 | 701132-0-00 | 1 |
| 13 | 932475-0-00 | 1 |
| 14 | 701037-0-00 | 1 |
| 15 | 924804-0-11 | 1 |
| 16 | 704218-2-00 | 1 |
| 17 | 746402-2-00 | 2 |
| 18 | 704014-0-00 | 1 |
| 19 | 925820-0-00 | 1 |
| 20 | 733510-2-00 | 1 |
| 21 | 720555-2-00 | 1 |
| 22 | 722422-2-00 | 2 |
| 23 | 704108-2-00 | 2 |
| 24 | 926065-0-00 | 1 |

SEQUE
FOLLOWS



| Fig. N. | Part. N. Piece N. | Qt. |
|---------|-------------------|-----|
| 1 | 924044-4-00 | 1 |
| 2 | 924030-4-00 | 1 |
| 3 | 741936-2-00 | 2 |
| 4 | 704210-4-00 | 2 |
| 5 | 924701-0-11 | 1 |
| 6 | 924039-0-00 | 1 |
| 7 | 924045-0-00 | 1 |
| 8 | 924031-0-01 | 1 |
| 9 | 943765-0-01 | 1 |
| 10 | 924731-0-20 | 1 |
| 11 | 924032-0-00 | 1 |
| 12 | 724442-2-00 | 2 |
| 13 | 924483-0-00 | 1 |
| 14 | 701009-0-00 | 2 |
| 15 | 701003-0-00 | 1 |
| 16 | 924033-0-00 | 1 |
| 17 | 722070-2-00 | 2 |
| 18 | 733505-2-00 | 2 |
| 19 | 924485-0-10 | 1 |
| 20 | 924484-0-10 | 1 |

SEGUE
FOLLOWS



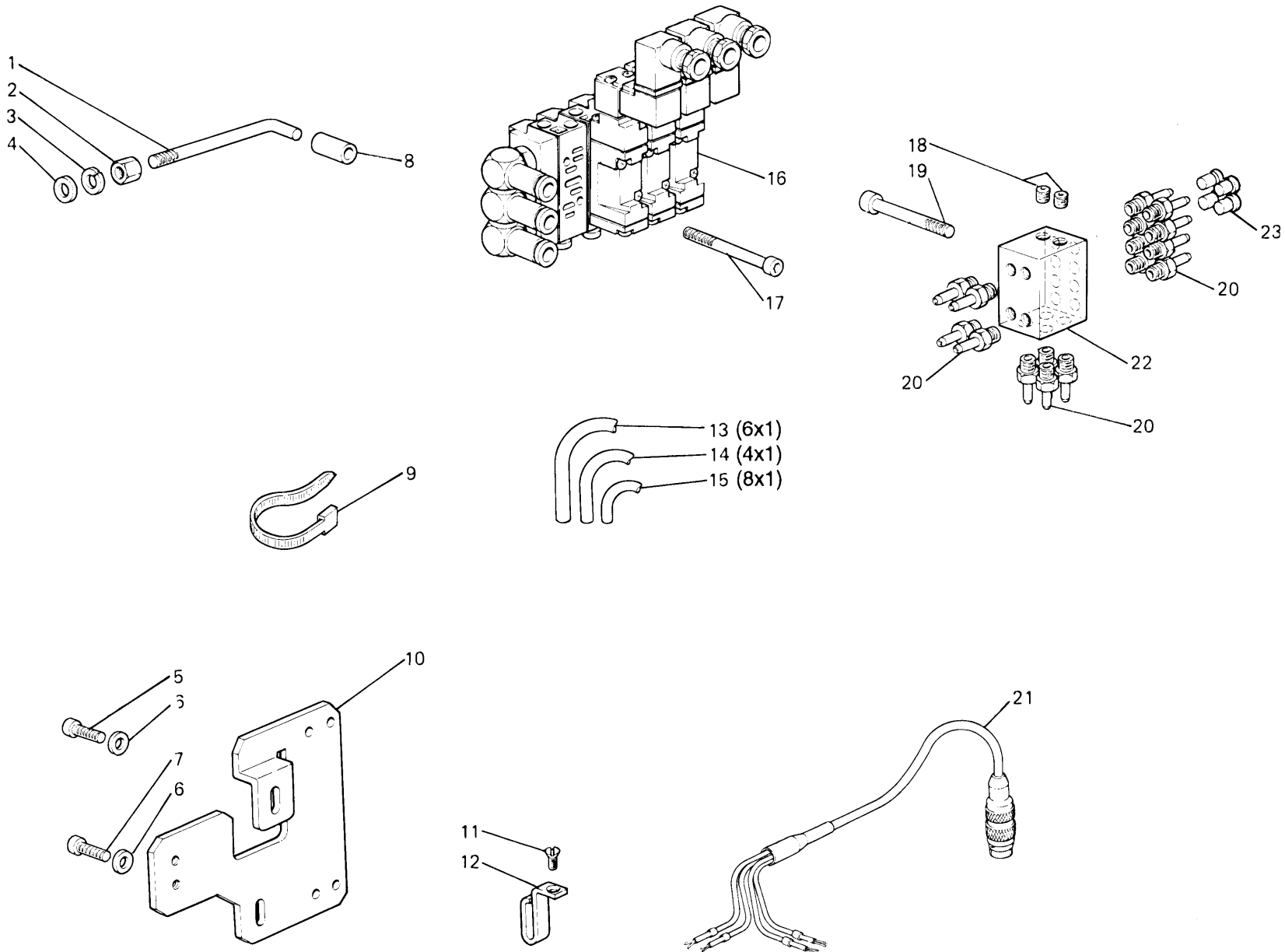
| Fig. N. | Part. N. / Peça N. | Qt. |
|---------|--------------------|-----|
| 1 | 932462-4-01 | 1 |
| 2 | 741634-2-00 | 1 |
| 3 | 932453-0-00 | 1 |
| 4 | 722030-2-00 | 12 |
| 5 | 932457-0-00 | 1 |
| 6 | 730011-2-00 | 1 |
| 7 | 701009-0-00 | 3 |
| 8 | 924663-0-10 | 1 |
| 9 | 932489-0-00 | 1 |
| 10 | 701003-0-00 | 1 |
| 11 | 741956-2-00 | 2 |
| 12 | 943765-0-01 | 2 |
| 13 | 932458-0-00 | 1 |
| 14 | 932452-0-00 | 1 |
| 15 | 932402-0-00 | 1 |
| 16 | 932404-2-00 | 1 |
| 17 | 932403-0-00 | 1 |
| 18 | 932461-0-00 | 1 |
| 19 | 932460-0-00 | 1 |
| 20 | 924664-0-11 | 1 |

SEGUE
FOLLOWS

WFS-0D-538-A0-3

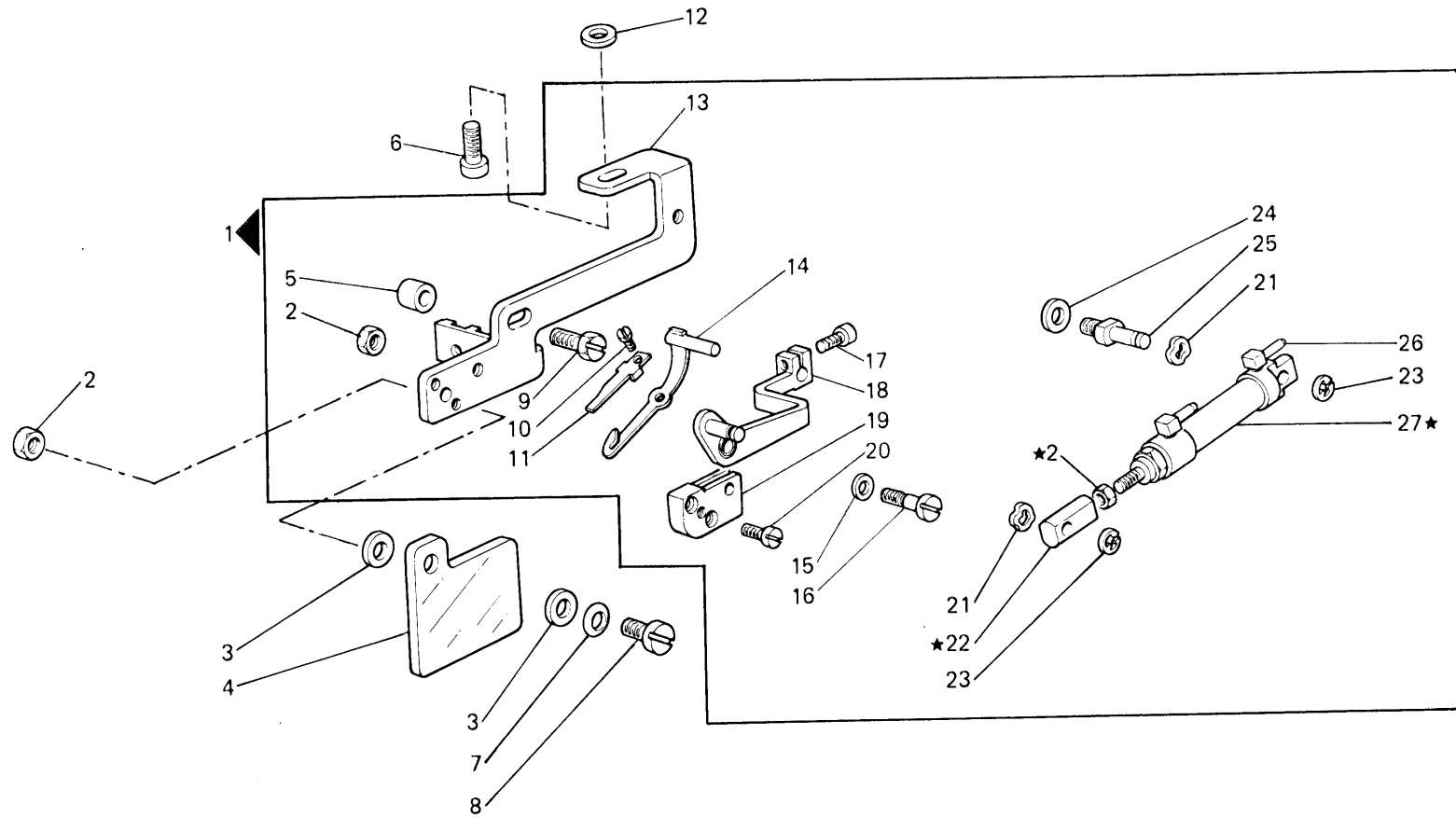
Rim®

5



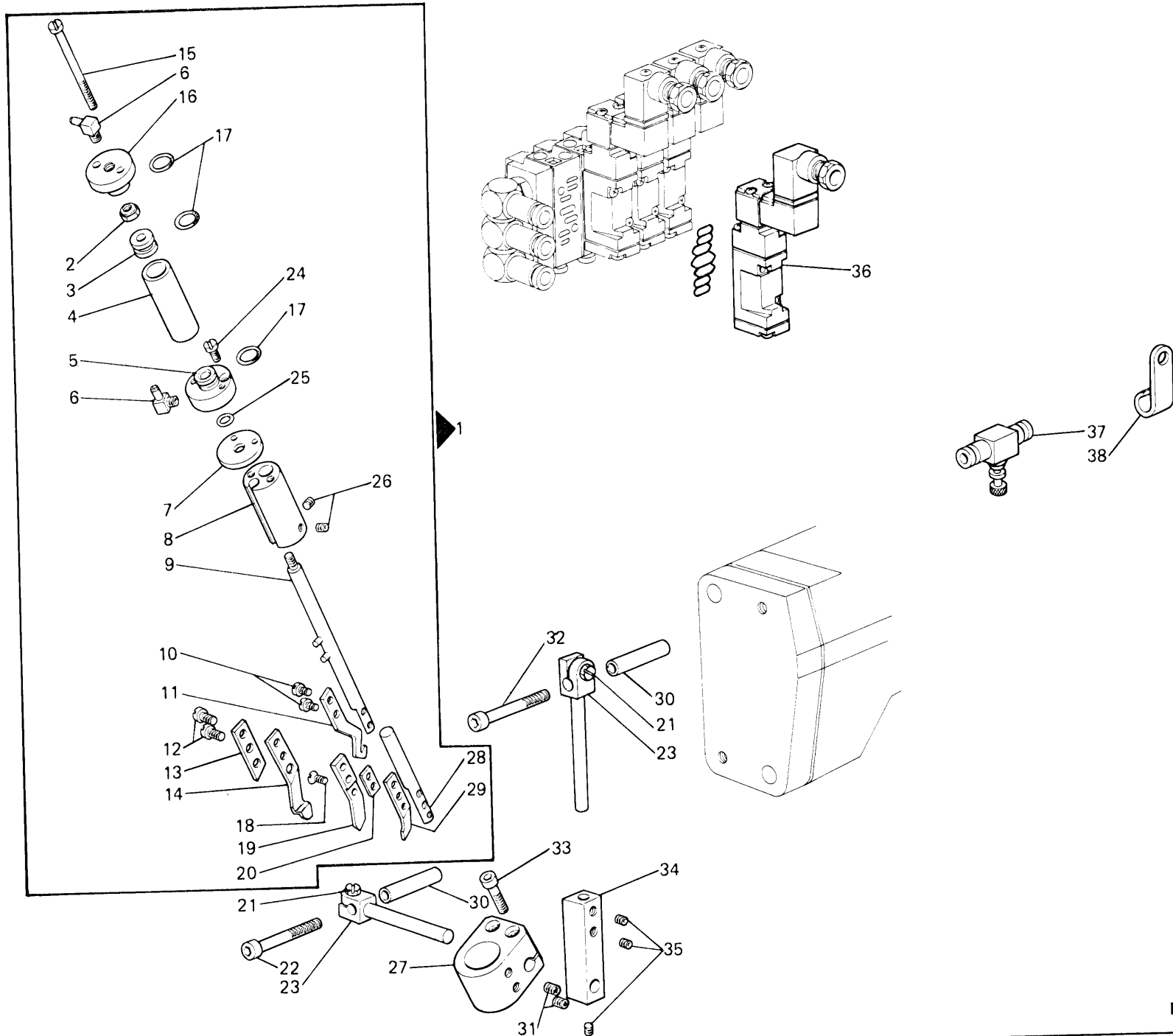
| Fig. N. | Part. N. / Piece N. | Qt. |
|---------|---------------------|-----|
| 1 | 932474-2-00 | 1 |
| 2 | 733507-2-00 | 1 |
| 3 | 703007-0-00 | 1 |
| 4 | 704409-2-00 | 1 |
| 5 | 722421-2-00 | 1 |
| 6 | 704309-2-00 | 2 |
| 7 | 722422-2-00 | 1 |
| 8 | --- | 1 |
| 9 | 920258-0-10 | 10 |
| 10 | 926064-0-01 | 1 |
| 11 | 724442-2-00 | 1 |
| 12 | 924497-0-00 | 1 |
| 13 | M295170610 | 1 |
| 14 | M295170415 | 1 |
| 15 | M295779810 | 1 |
| 16 | 926046-4-00 | 1 |
| 17 | 722491-2-00 | 4 |
| 18 | 729012-2-00 | 2 |
| 19 | 722480-2-00 | 2 |
| 20 | 924701-0-11 | 16 |
| 21 | 800437-4-10 | 1 |
| 22 | 926048-0-00 | 1 |
| 23 | 207893-0-00 | 4 |

1



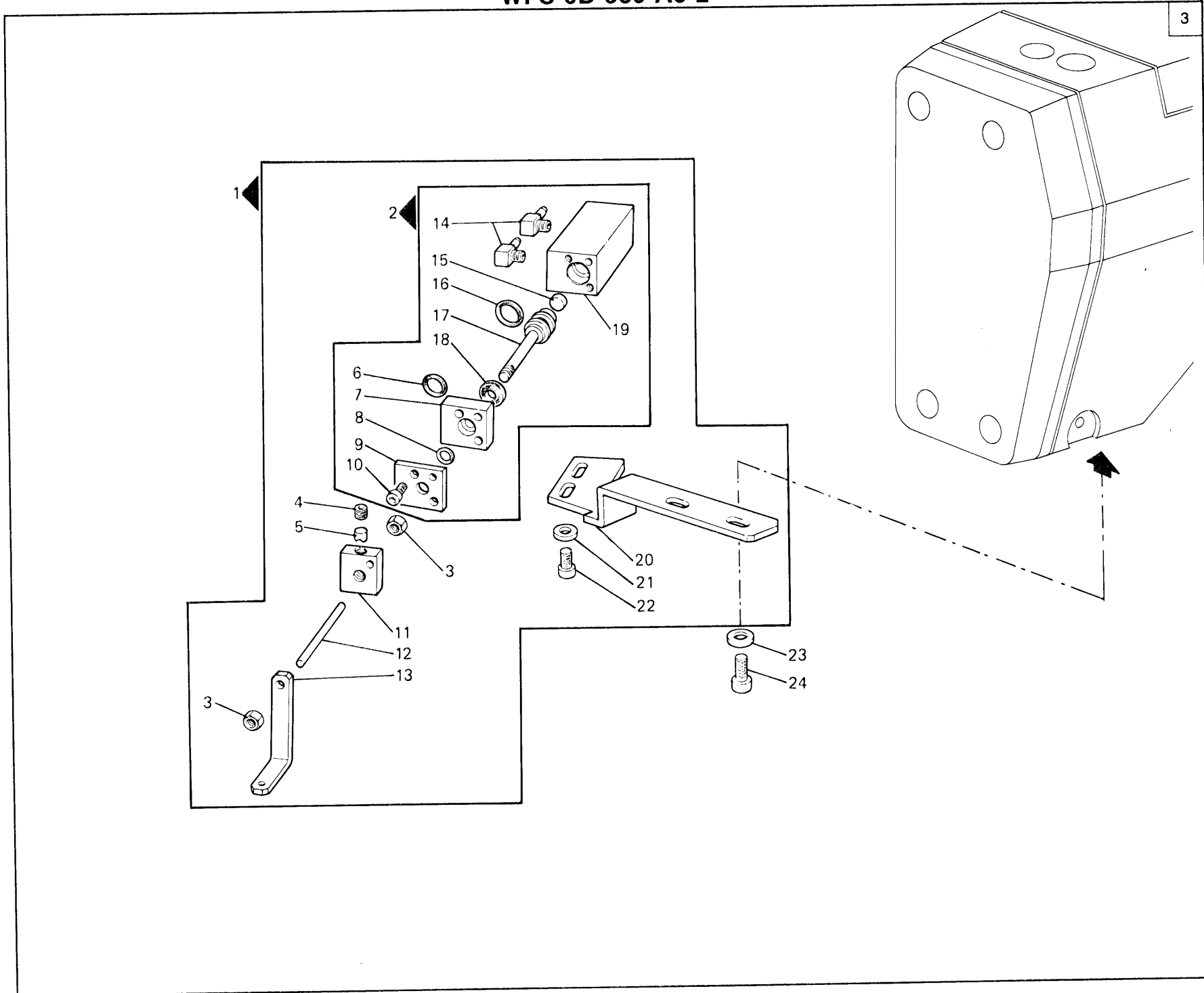
| Fig. N. | Part. N. / Pleca N. | Qt. |
|---------|---------------------|-----|
| ★ | 926033-4-00 | 1 |
| 1 | 926037-4-02 | 1 |
| 2 | 746007-2-00 | 3 |
| 3 | 704211-2-00 | 2 |
| 4 | 926069-0-00 | 1 |
| 5 | 926026-0-00 | 1 |
| 6 | 722442-2-00 | 1 |
| 7 | 702403-0-00 | 1 |
| 8 | 741994-2-00 | 1 |
| 9 | 740287-0-00 | 1 |
| 10 | 741413-2-00 | 1 |
| 11 | 933191-0-00 | 1 |
| 12 | 704216-2-00 | 1 |
| 13 | 926023-0-02 | 1 |
| 14 | 933193-2-00 | 1 |
| 15 | 704306-2-00 | 1 |
| 16 | 926239-0-00 | 1 |
| 17 | 722410-2-00 | 1 |
| 18 | 926024-2-02 | 1 |
| 19 | 926035-0-00 | 1 |
| 20 | 721454-2-00 | 2 |
| 21 | 924482-0-00 | 2 |
| 22 | 926025-0-00 | 1 |
| 23 | 700206-0-00 | 2 |
| 24 | 604405-2-00 | 1 |
| 25 | 926027-0-01 | 1 |
| 26 | 944821-0-00 | 2 |
| 27 | 932314-0-00 | 1 |

SEGUE
FOLLOWS



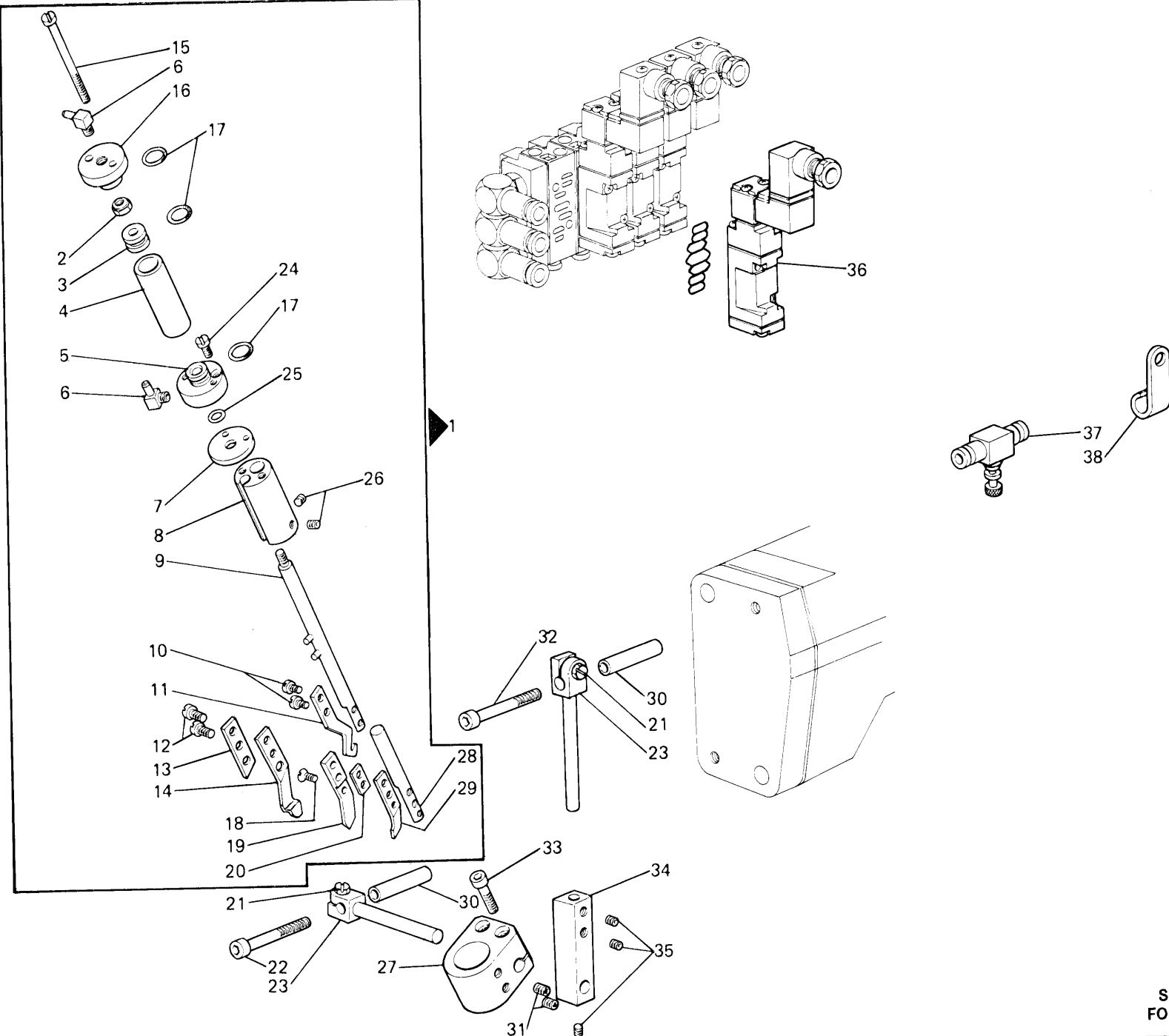
| Fig. N. | Part. N. / Peça N. | Qt. |
|---------|--------------------|-----|
| 1 | 932217-4-10 | 1 |
| 2 | 941787-0-00 | 1 |
| 3 | 932206-0-00 | 1 |
| 4 | 932201-0-00 | 1 |
| 5 | 932205-0-00 | 1 |
| 6 | 944821-0-00 | 2 |
| 7 | 932204-0-00 | 1 |
| 8 | 932202-0-00 | 1 |
| 9 | 932207-2-00 | 1 |
| 10 | 721412-2-00 | 2 |
| 11 | 932212-0-00 | 1 |
| 12 | 741675-2-00 | 2 |
| 13 | 932470-0-00 | 1 |
| 14 | 932214-0-10 | 1 |
| 15 | 721145-2-00 | 2 |
| 16 | 932203-0-00 | 1 |
| 17 | 701009-0-00 | 3 |
| 18 | 724420-5-00 | 1 |
| 19 | 932210-0-00 | 1 |
| 20 | 932216-0-10 | 1 |
| 21 | 740051-2-00 | 2 |
| 22 | 722543-2-00 | 1 |
| 23 | 930432-2-10 | 2 |
| 24 | 722082-0-00 | 2 |
| 25 | 701005-0-00 | 1 |
| 26 | 745812-2-00 | 2 |
| 27 | 932209-2-00 | 1 |
| 28 | 932211-0-00 | 1 |
| 29 | 932213-0-10 | 1 |
| 30 | 932478-0-00 | 2 |
| 31 | 729012-2-00 | 2 |
| 32 | 722523-2-00 | 1 |
| 33 | 722461-2-00 | 2 |
| 34 | 932229-2-00 | 1 |
| 35 | 729013-2-00 | 3 |
| 36 | 926047-4-00 | 1 |
| 37 | 926049-4-00 | 1 |
| 38 | 921047-0-00 | 1 |

SEGUE
FOLLOWS



| Fig. N. | Part. N. / Pièce N. | Qt. |
|---------|---------------------|-----|
| 1 | 926067-4-00 | 1 |
| 2 | 926066-4-00 | 1 |
| 3 | 733605-2-00 | 2 |
| 4 | 745800-2-00 | 1 |
| 5 | 920721-0-00 | 1 |
| 6 | 701006-0-00 | 1 |
| 7 | 926041-0-00 | 1 |
| 8 | 701003-0-00 | 1 |
| 9 | 926040-0-00 | 1 |
| 10 | 722072-0-00 | 2 |
| 11 | 926042-0-00 | 1 |
| 12 | 925045-0-00 | 1 |
| 13 | 932466-0-00 | 1 |
| 14 | 944821-0-00 | 2 |
| 15 | 924045-0-00 | 1 |
| 16 | 701004-0-00 | 1 |
| 17 | 926043-0-00 | 1 |
| 18 | 924402-0-00 | 1 |
| 19 | 926039-0-00 | 1 |
| 20 | 926062-0-00 | 1 |
| 21 | 704210-4-00 | 2 |
| 22 | 722411-2-00 | 2 |
| 23 | 704216-2-00 | 2 |
| 24 | 722432-2-00 | 2 |

1



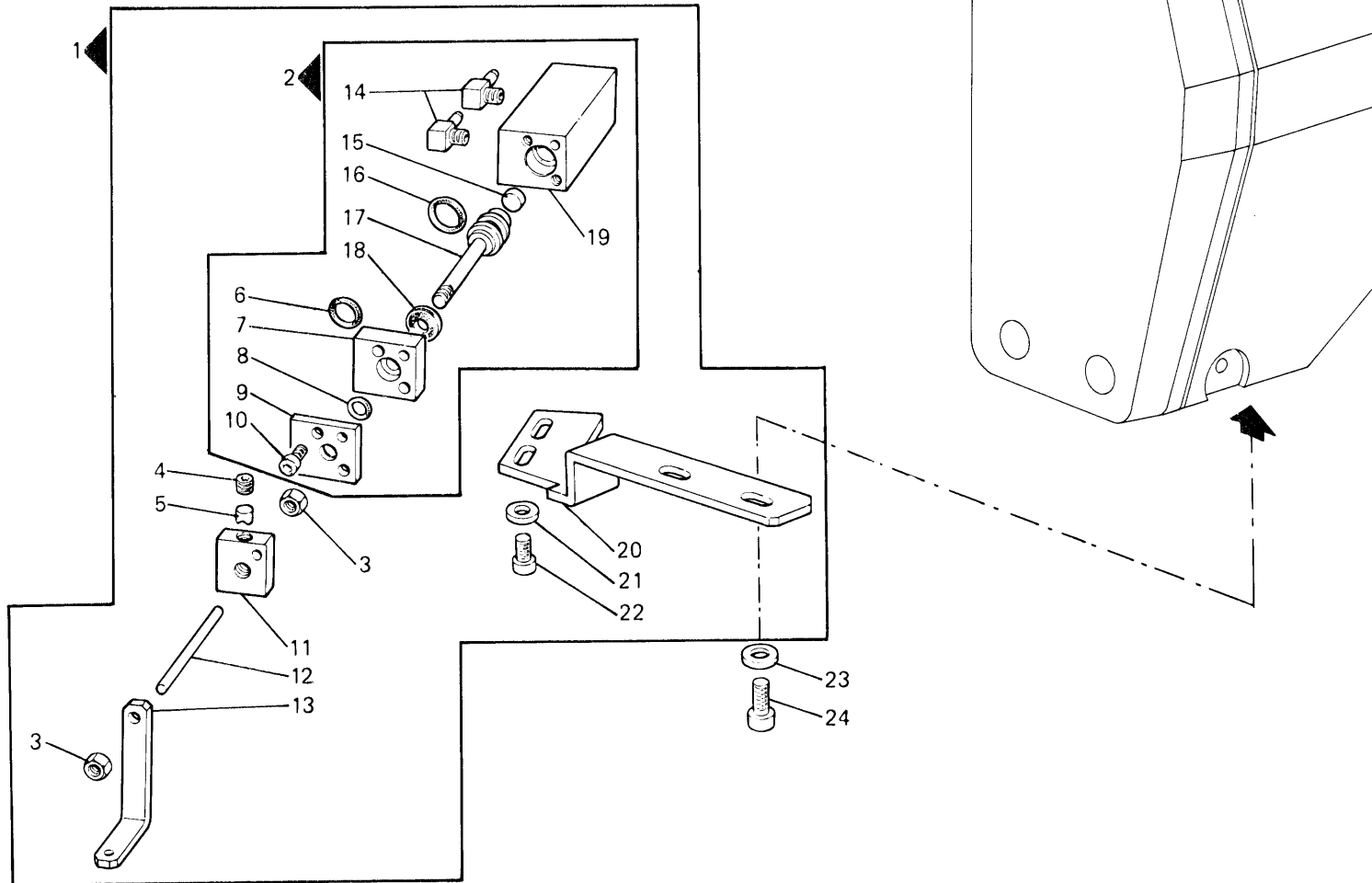
| Fig. N. | Part. N. Piece N. | Qt. |
|---------|-------------------|-----|
| 1 | 932217-4-10 | 1 |
| 2 | 941787-0-00 | 1 |
| 3 | 932206-0-00 | 1 |
| 4 | 932201-0-00 | 1 |
| 5 | 932205-0-00 | 1 |
| 6 | 944821-0-00 | 2 |
| 7 | 932204-0-00 | 1 |
| 8 | 932202-0-00 | 1 |
| 9 | 932207-2-00 | 1 |
| 10 | 721412-2-00 | 2 |
| 11 | 932212-0-00 | 1 |
| 12 | 741675-2-00 | 2 |
| 13 | 932470-0-00 | 1 |
| 14 | 932214-0-10 | 1 |
| 15 | 721145-2-00 | 2 |
| 16 | 932203-0-00 | 1 |
| 17 | 701009-0-00 | 3 |
| 18 | 724420-5-00 | 1 |
| 19 | 932210-0-00 | 1 |
| 20 | 932216-0-10 | 1 |
| 21 | 740051-2-00 | 2 |
| 22 | 722543-2-00 | 1 |
| 23 | 930432-2-10 | 2 |
| 24 | 722082-0-00 | 2 |
| 25 | 701005-0-00 | 1 |
| 26 | 745812-2-00 | 2 |
| 27 | 932209-2-00 | 1 |
| 28 | 932211-0-00 | 1 |
| 29 | 932213-0-10 | 1 |
| 30 | 932478-0-00 | 2 |
| 31 | 729012-2-00 | 2 |
| 32 | 722523-2-00 | 1 |
| 33 | 722461-2-00 | 2 |
| 34 | 932229-2-00 | 1 |
| 35 | 729013-2-00 | 3 |
| 36 | 926047-4-00 | 1 |
| 37 | 926049-4-00 | 1 |
| 38 | 921047-0-00 | 1 |

SEGUE
FOLLOWS

WFS-0D-539-A1-0

Rim®

2

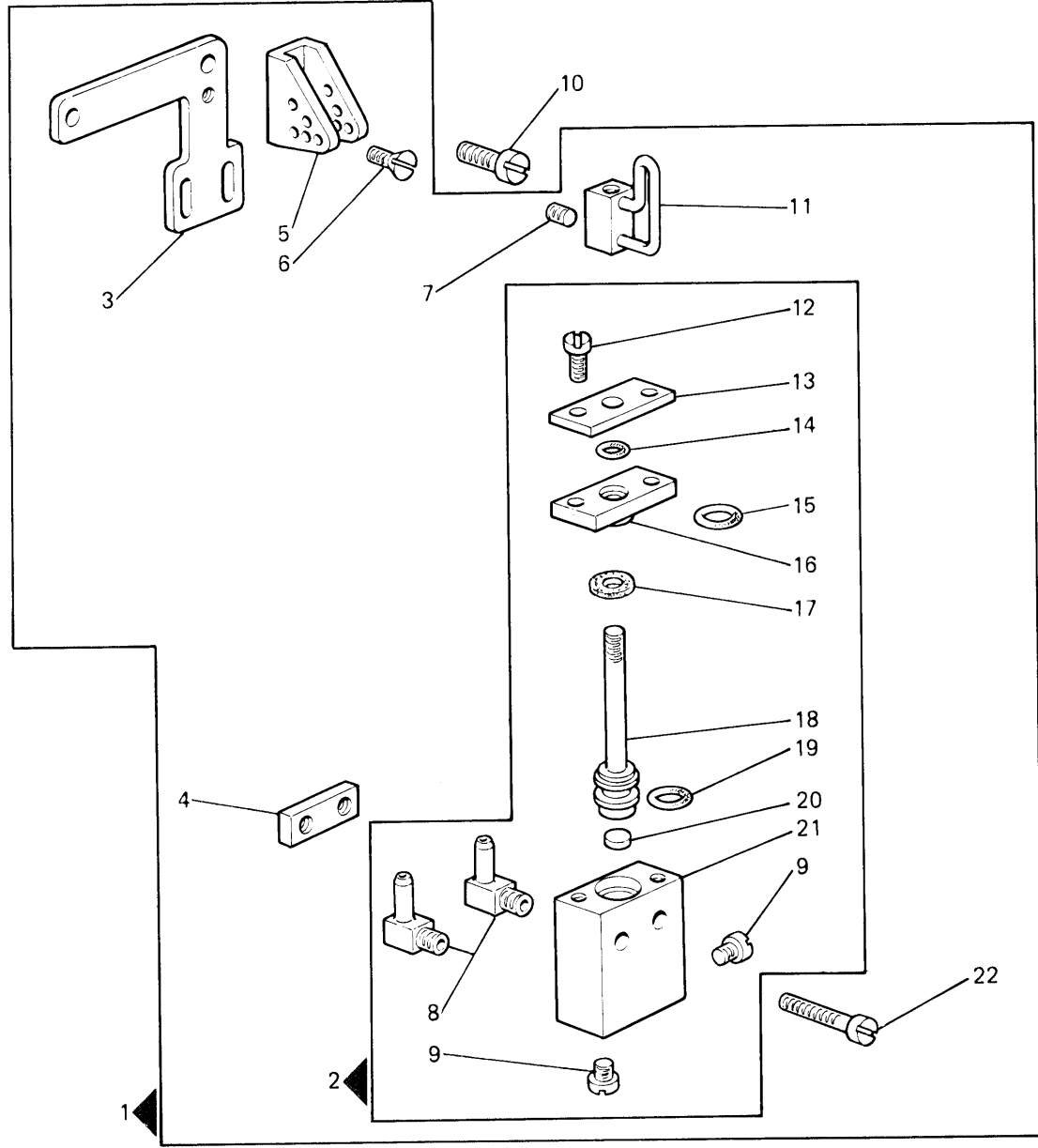


| Fig. N. | Part. N. / Piece N. | Qt. |
|---------|---------------------|-----|
| 1 | 926067-4-00 | 1 |
| 2 | 926066-4-00 | 1 |
| 3 | 733605-2-00 | 2 |
| 4 | 745800-2-00 | 1 |
| 5 | 920721-0-00 | 1 |
| 6 | 701006-0-00 | 1 |
| 7 | 926041-0-00 | 1 |
| 8 | 701003-0-00 | 1 |
| 9 | 926040-0-00 | 1 |
| 10 | 722072-0-00 | 2 |
| 11 | 926042-0-00 | 1 |
| 12 | 925045-0-00 | 1 |
| 13 | 932466-0-00 | 1 |
| 14 | 944821-0-00 | 2 |
| 15 | 924045-0-00 | 1 |
| 16 | 701004-0-00 | 1 |
| 17 | 926043-0-00 | 1 |
| 18 | 924402-0-00 | 1 |
| 19 | 926039-0-00 | 1 |
| 20 | 926062-0-00 | 1 |
| 21 | 704210-4-00 | 2 |
| 22 | 722411-2-00 | 2 |
| 23 | 704216-2-00 | 2 |
| 24 | 722432-2-00 | 2 |

WFS-0D-558-A0-1

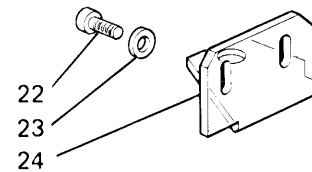
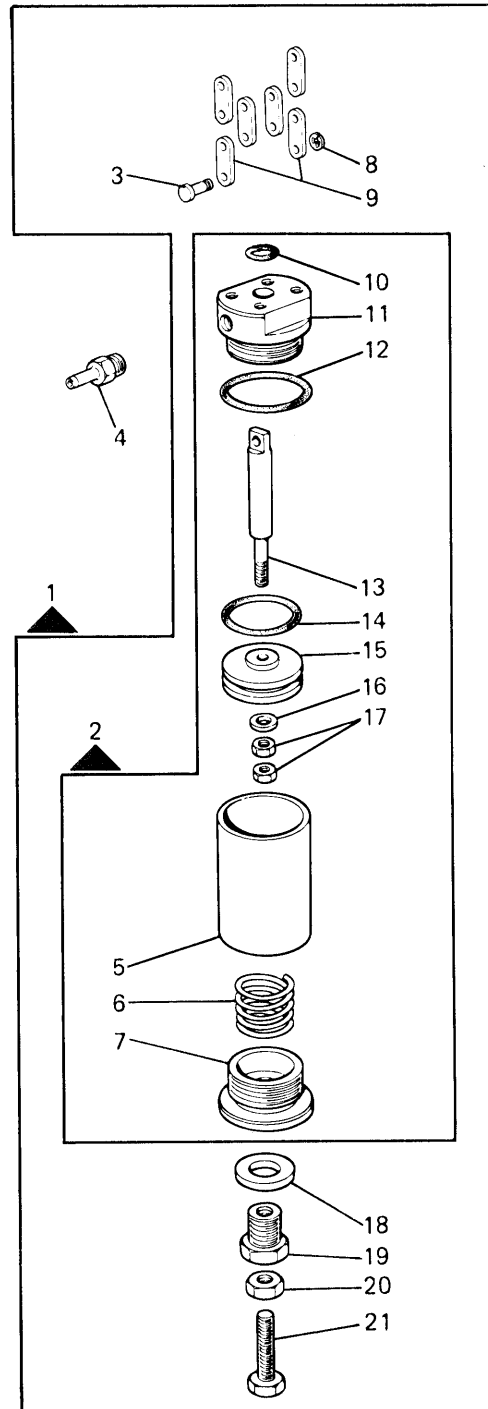
Rim®

1



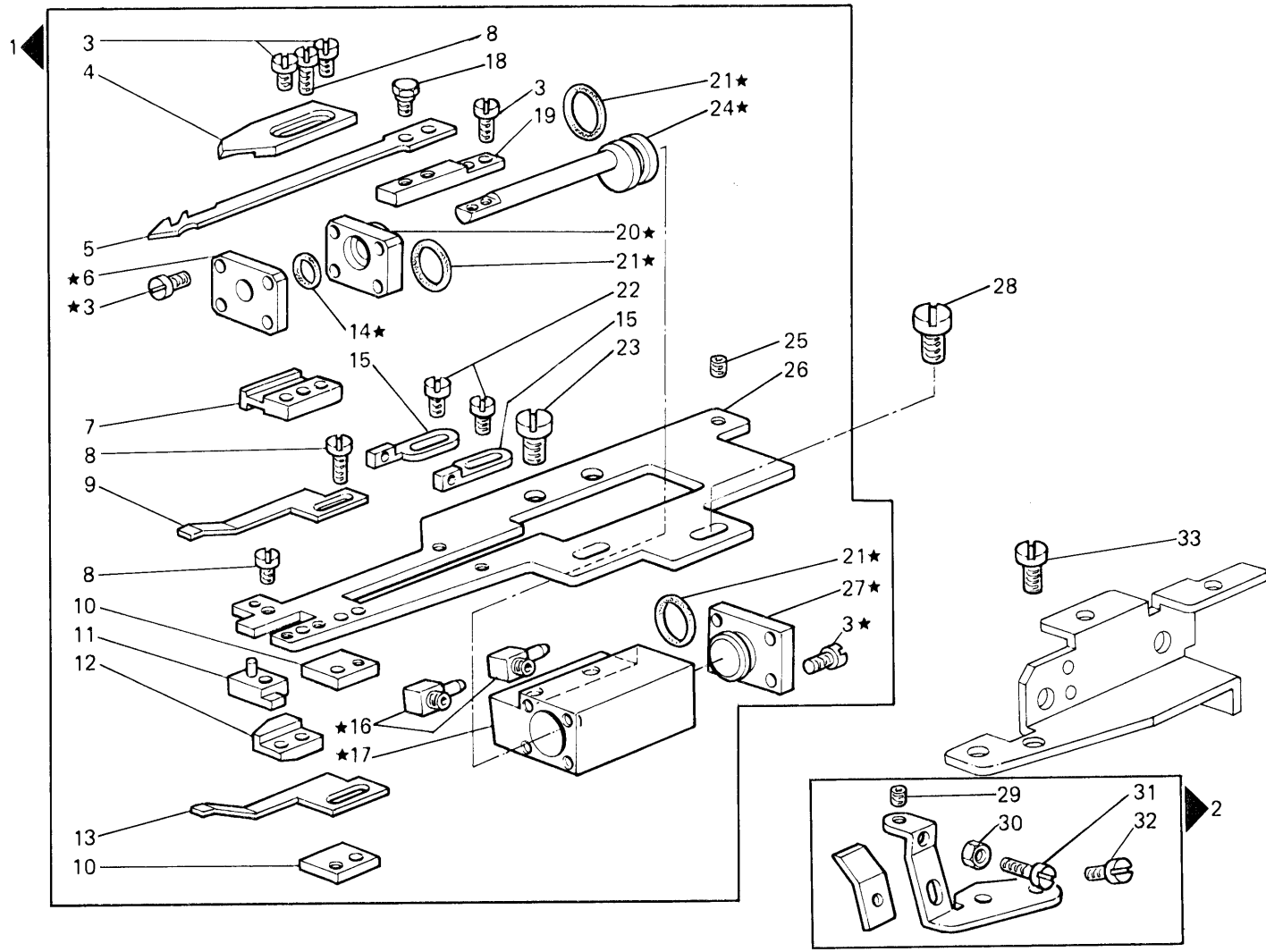
| Fig. N. | Part. N. Pleça N. | Qt. |
|---------|----------------------|-----|
| 1 | 932467-4-10 | 1 |
| 2 | 933212-4-00 | 1 |
| 3 | 315138-0-00 | 1 |
| 4 | 924730-0-20 | 1 |
| 5 | 924729-0-10 | 1 |
| 6 | 724411-0-00 | 1 |
| 7 | 745810-5-00 | 1 |
| 8 | 943765-0-01 | 2 |
| 9 | 741303-4-00 | 3 |
| 10 | 741936-2-00 | 1 |
| 11 | 924980-2-12 | 1 |
| 12 | 722070-2-00 | 2 |
| 13 | 924047-0-00 | 1 |
| 14 | 701003-0-00 | 1 |
| 15 | 701007-0-00 | 1 |
| 16 | 924048-0-00 | 1 |
| 17 | 924402-0-00 | 1 |
| 18 | 933210-0-00 | 1 |
| 19 | 701004-0-00 | 1 |
| 20 | 924045-0-00 | 1 |
| 21 | 933211-0-00 | 1 |
| 22 | 722123-2-00 | 2 |

SEQUE
FOLLOWS



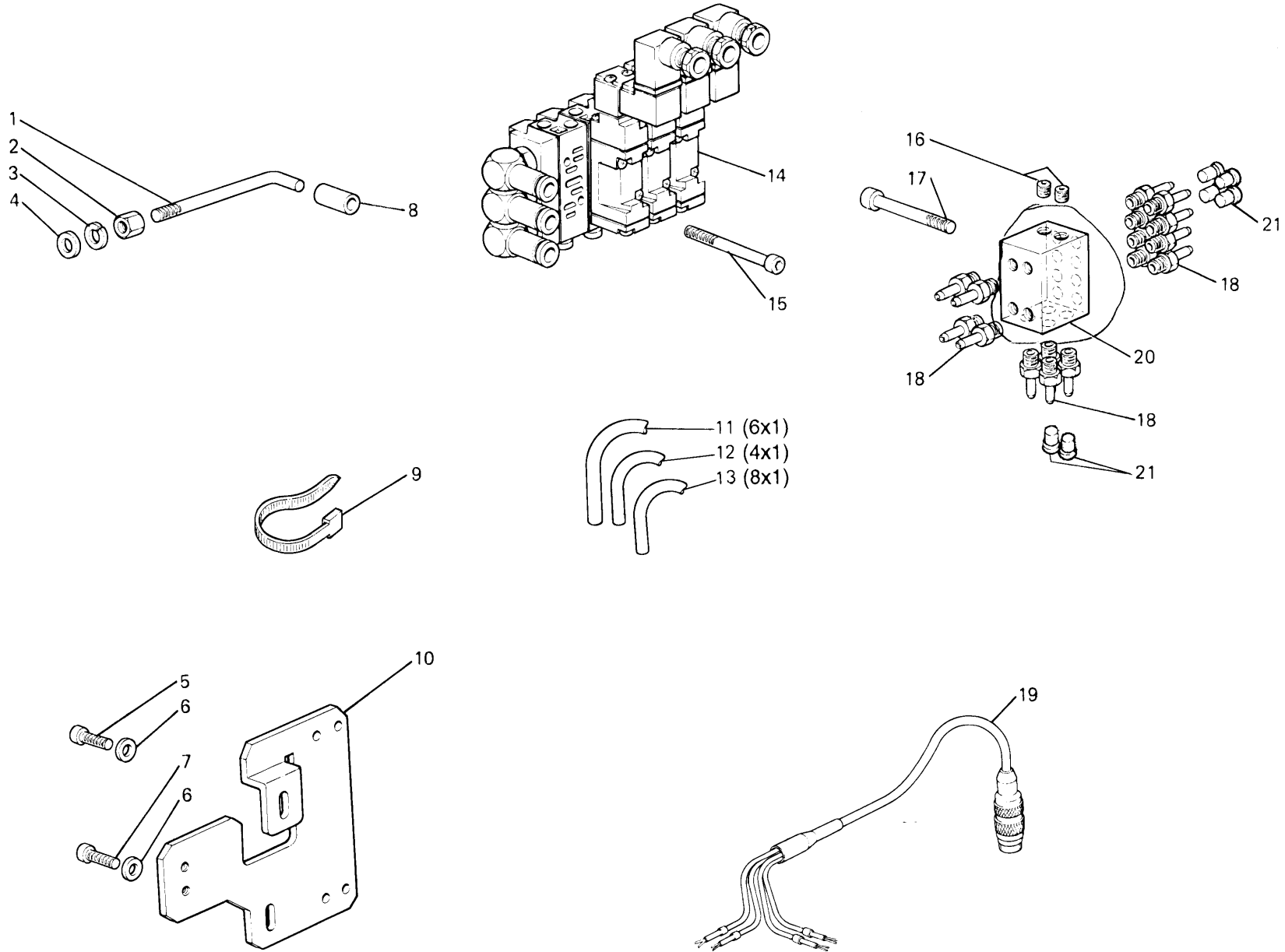
SEGUE
FOLLOWS

| Fig. N. | Part. N. / Piece N. | Qt. |
|---------|---------------------|-----|
| 1 | 932477-4-00 | 1 |
| 2 | 932476-4-00 | 1 |
| 3 | 203211-0-10 | 4 |
| 4 | 924380-0-00 | 1 |
| 5 | 925750-0-01 | 1 |
| 6 | 925754-0-01 | 1 |
| 7 | 925756-0-01 | 1 |
| 8 | 700205-0-00 | 4 |
| 9 | 990765-0-00 | 6 |
| 10 | 701007-0-00 | 1 |
| 11 | 924806-0-10 | 1 |
| 12 | 701132-0-00 | 1 |
| 13 | 932475-0-00 | 1 |
| 14 | 701037-0-00 | 1 |
| 15 | 924804-0-11 | 1 |
| 16 | 704218-2-00 | 1 |
| 17 | 746402-2-00 | 2 |
| 18 | 704014-0-00 | 1 |
| 19 | 925820-0-00 | 1 |
| 20 | 733510-2-00 | 1 |
| 21 | 720555-2-00 | 1 |
| 22 | 722422-2-00 | 2 |
| 23 | 704108-2-00 | 2 |
| 24 | 926065-0-00 | 1 |



| Fig. N. | Part. N. / Piece N. | Qt. |
|---------|---------------------|-----|
| ★ | 933176-4-00 | 1 |
| 1 | 933219-4-00 | 1 |
| 2 | 933114-2-00 | 1 |
| 3 | 722030-2-00 | 12 |
| 4 | 933201-0-00 | 1 |
| 5 | 933186-0-00 | 1 |
| 6 | 933214-0-00 | 1 |
| 7 | 933216-0-00 | 1 |
| 8 | 722050-2-00 | 4 |
| 9 | 933177-0-00 | 1 |
| 10 | 933217-0-00 | 2 |
| 11 | 933218-2-00 | 1 |
| 12 | 933209-0-00 | 1 |
| 13 | 933205-0-00 | 1 |
| 14 | 701104-0-00 | 1 |
| 15 | 933206-0-00 | 2 |
| 16 | 943765-0-01 | 2 |
| 17 | 933203-0-00 | 1 |
| 18 | 933204-0-00 | 2 |
| 19 | 933194-0-00 | 1 |
| 20 | 933213-0-00 | 1 |
| 21 | 701009-0-00 | 3 |
| 22 | 741634-2-00 | 2 |
| 23 | 741936-2-00 | 2 |
| 24 | 933215-0-00 | 1 |
| 25 | 729011-2-00 | 1 |
| 26 | 933202-0-00 | 1 |
| 27 | 933181-0-00 | 1 |
| 28 | 742812-2-00 | 2 |
| 29 | 745001-2-00 | 1 |
| 30 | 746000-0-00 | 1 |
| 31 | 741495-2-00 | 1 |
| 32 | 721411-2-00 | 1 |
| 33 | 721431-2-00 | 1 |

SEGUE
FOLLOWS



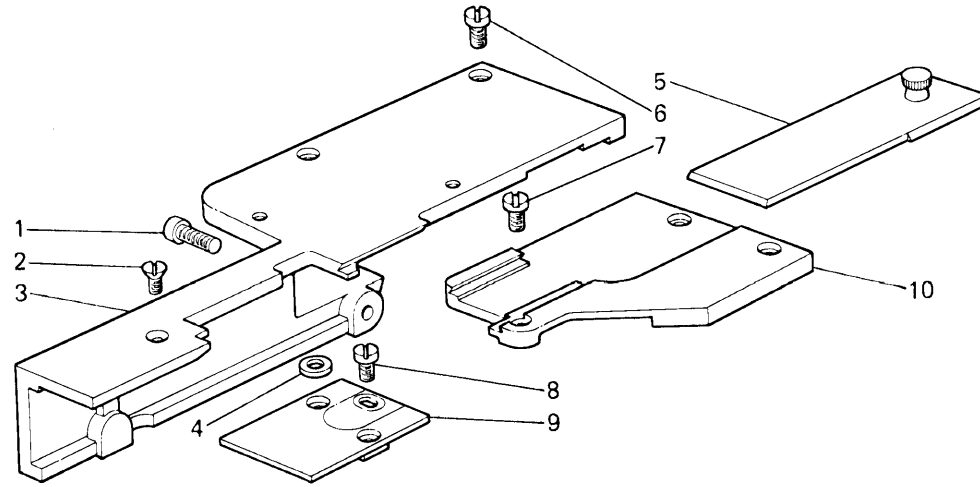
| Fig. N. | Part. N. Piese N. | Qt. |
|---------|----------------------|-----|
| 1 | 932474-2-00 | 1 |
| 2 | 733507-2-00 | 1 |
| 3 | 703007-0-00 | 1 |
| 4 | 704409-2-00 | 1 |
| 5 | 722421-2-00 | 1 |
| 6 | 704309-2-00 | 2 |
| 7 | 722422-2-00 | 1 |
| 8 | --- | 1 |
| 9 | 920258-0-10 | 10 |
| 10 | 926064-0-01 | 1 |
| 11 | M295170610 | 1 |
| 12 | M295170415 | 1 |
| 13 | M295779810 | 1 |
| 14 | 926046-4-00 | 1 |
| 15 | 722491-2-00 | 4 |
| 16 | 729012-2-00 | 2 |
| 17 | 722480-2-00 | 2 |
| 18 | 924701-0-11 | 16 |
| 19 | 800437-4-10 | 1 |
| 20 | 926048-0-00 | 1 |
| 21 | 207893-0-00 | 6 |

GRUPPI DI COMPOSIZIONE - COMPOSITION KITS - GROUPES DE KIT - KIT GRUPPEN - GRUPOS DE COMPOSICION

COPERCHI
COVERS
CARTERS
DECKEL
CUBIERTAS

WFS-08

1



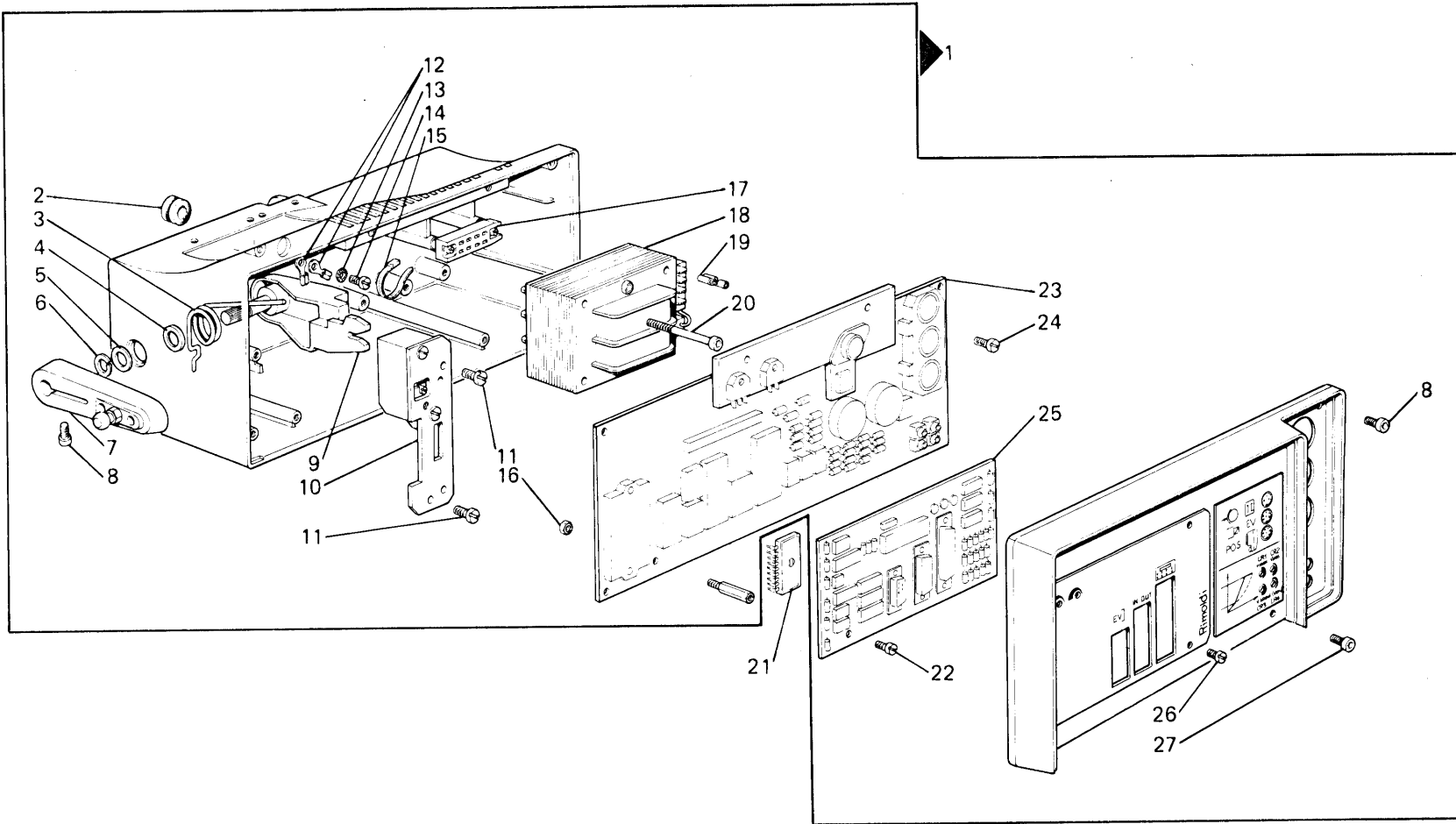
| Fig. N. | Part. N. Piece N. | Qt. |
|---------|-------------------|-----|
| 1 | 722432-2-00 | 2 |
| 2 | 744636-2-00 | 1 |
| 3 | 932486-0-00 | 1 |
| 4 | 704419-0-00 | 1 |
| 5 | 315470-2-01 | 1 |
| 6 | 721494-2-00 | 3 |
| 7 | 741366-2-00 | 1 |
| 8 | 741913-4-00 | 2 |
| 9 | 924471-2-02 | 1 |
| 10 | 315468-0-00 | 1 |

GRUPPI DI COMPOSIZIONE - COMPOSITION KITS - GROUPES DE KIT - KIT GRUPPEN - GRUPOS DE COMPOSICION

ELETTRONICA DI COMANDO
ELECTRONIC CONTROL SYSTEM
ELECTRONIQUE DE COMMANDE
STEVERAPPARAT ELEKTRONIK
ELECTRONICA DE MANDO

WFS-AA

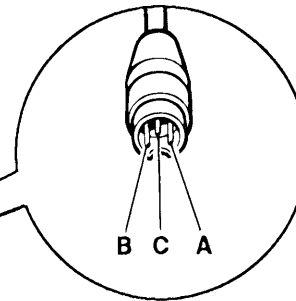
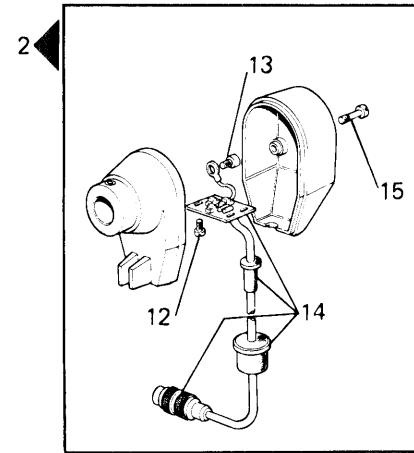
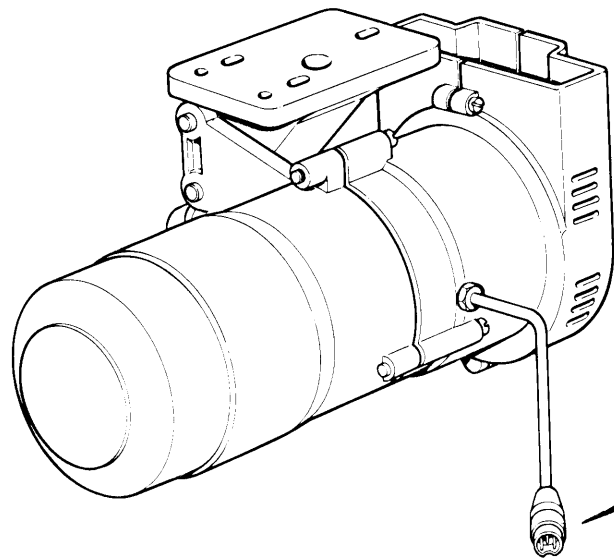
1



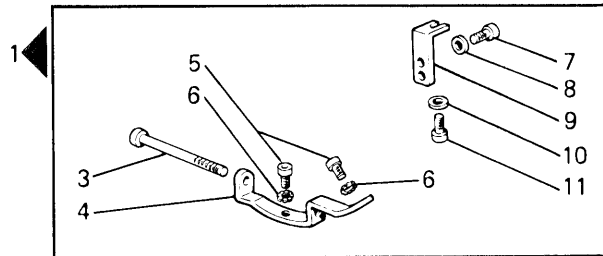
| Fig. N. | Part. N. Piece N. | Qt. |
|---------|-------------------|-----|
| 1 | 800524-4-00 | 1 |
| 2 | 923010-0-10 | 1 |
| 3 | 800116-0-00 | 1 |
| 4 | 704844-0-00 | 1 |
| 5 | 704841-0-00 | 1 |
| 6 | 700010-0-00 | 1 |
| 7 | 800132-2-00 | 1 |
| 8 | 722441-2-00 | 2 |
| 9 | 800129-2-00 | 1 |
| 10 | 800115-4-10 | 1 |
| 11 | 724462-2-00 | 2 |
| 12 | 910442-0-00 | 3 |
| 13 | 703305-0-00 | 1 |
| 14 | 741936-5-00 | 1 |
| 15 | 920258-0-10 | 2 |
| 16 | 926729-0-00 | 7 |
| 17 | 800319-0-00 | 1 |
| 18 | 800253-0-01 | 1 |
| 19 | 928007-0-00 | 4 |
| 20 | 722541-2-00 | 4 |
| 21 | 800366-0-30 | 1 |
| 22 | 741642-2-00 | 4 |
| 23 | 800500-4-11 | 1 |
| 24 | 722421-2-00 | 2 |
| 25 | 800512-4-00 | 1 |
| 26 | 741912-0-00 | 4 |
| 27 | 722531-2-00 | 3 |

SEGUE
FOLLOWS

2

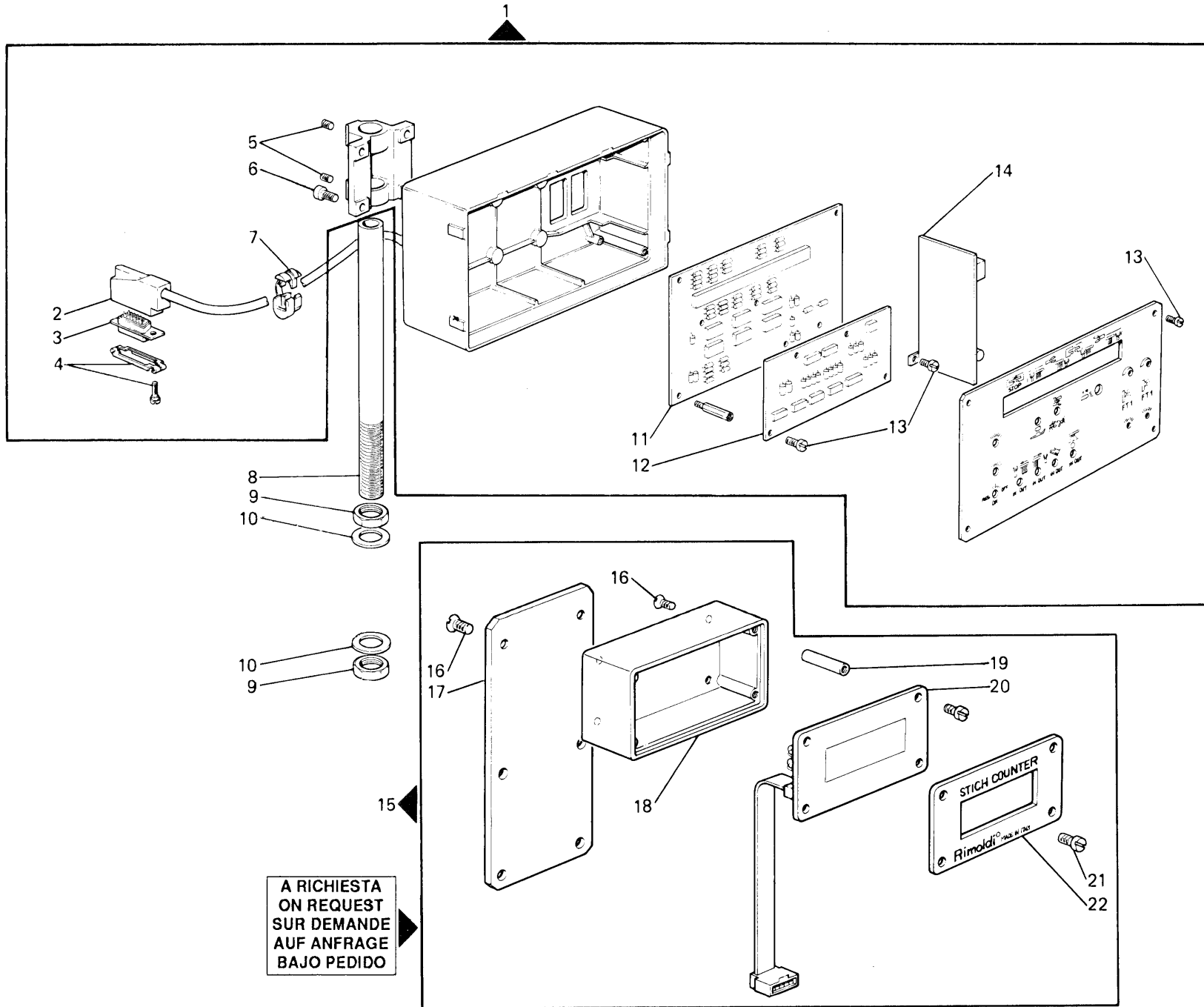


A = FRIZIONE-CLUTCH-EMBAYAGE
 B = FRENO-BRAKE-FREIN
 C = COMUNE-COMMON COMMUN



| fig. N. | Part. N. / Peça N. | Qt. |
|---------|--------------------|-----|
| 1 | 800941-4-00 | 1 |
| 2 | 800070-4-00 | 1 |
| 3 | 722582-5-00 | 1 |
| 4 | 800141-0-00 | 1 |
| 5 | 741956-5-00 | 2 |
| 6 | 703305-0-00 | 2 |
| 7 | 722420-5-00 | 2 |
| 8 | 704505-2-00 | 2 |
| 9 | 800140-0-00 | 1 |
| 10 | 704409-2-00 | 1 |
| 11 | 722432-5-00 | 1 |
| 12 | 726401-4-00 | 4 |
| 13 | 726403-4-00 | 1 |
| 14 | 800088-4-00 | 1 |
| 15 | 800073-0-00 | 2 |

1



| Fig. N. | Part. N. Pieza N. | Qt. |
|---------|----------------------|-----|
| 1 | 800182-4-20 | 1 |
| 2 | 800274-0-00 | 1 |
| 3 | 800280-0-00 | 1 |
| 4 | 800277-0-00 | 1 |
| 5 | 745902-2-00 | 2 |
| 6 | 722422-2-00 | 4 |
| 7 | 800303-0-00 | 1 |
| 8 | 931822-0-00 | 1 |
| 9 | 733211-2-00 | 2 |
| 10 | 704017-2-00 | 2 |
| 11 | 800216-4-00 | 1 |
| 12 | 800238-4-10 | 1 |
| 13 | 741630-2-00 | 12 |
| 14 | 800200-4-00 | 1 |
| 15 | 800040-4-00 | 1 |
| 16 | 724042-2-00 | 6 |
| 17 | 800041-0-00 | 1 |
| 18 | 800042-2-00 | 1 |
| 19 | 736304-0-00 | 4 |
| 20 | 800043-4-00 | 1 |
| 21 | 741665-2-00 | 4 |
| 22 | 800044-0-00 | 1 |

CF Italia srl Corso Colombo, 46 2 10 13 Gallarate (VA) Italia Tel. +39 0331 75071 www.cfrimoldi.com / info@cfrimoldi.com
Rimoldi Of America, 2315 N.W. 107 Avenue-Suite M43 33172 Miami, FL USA Ph: ++1 305 477 9943 melocchi@rimoldiusa.com