

CATALOGO PEZZI DI RICAMBIO
SPARE PARTS CATALOGUE
CATALOGUE RECHANGES
ERSATZTEILELISTE

CATALOGO PROVVISORIO

261-40-2MN-01
261-40-2MN-02

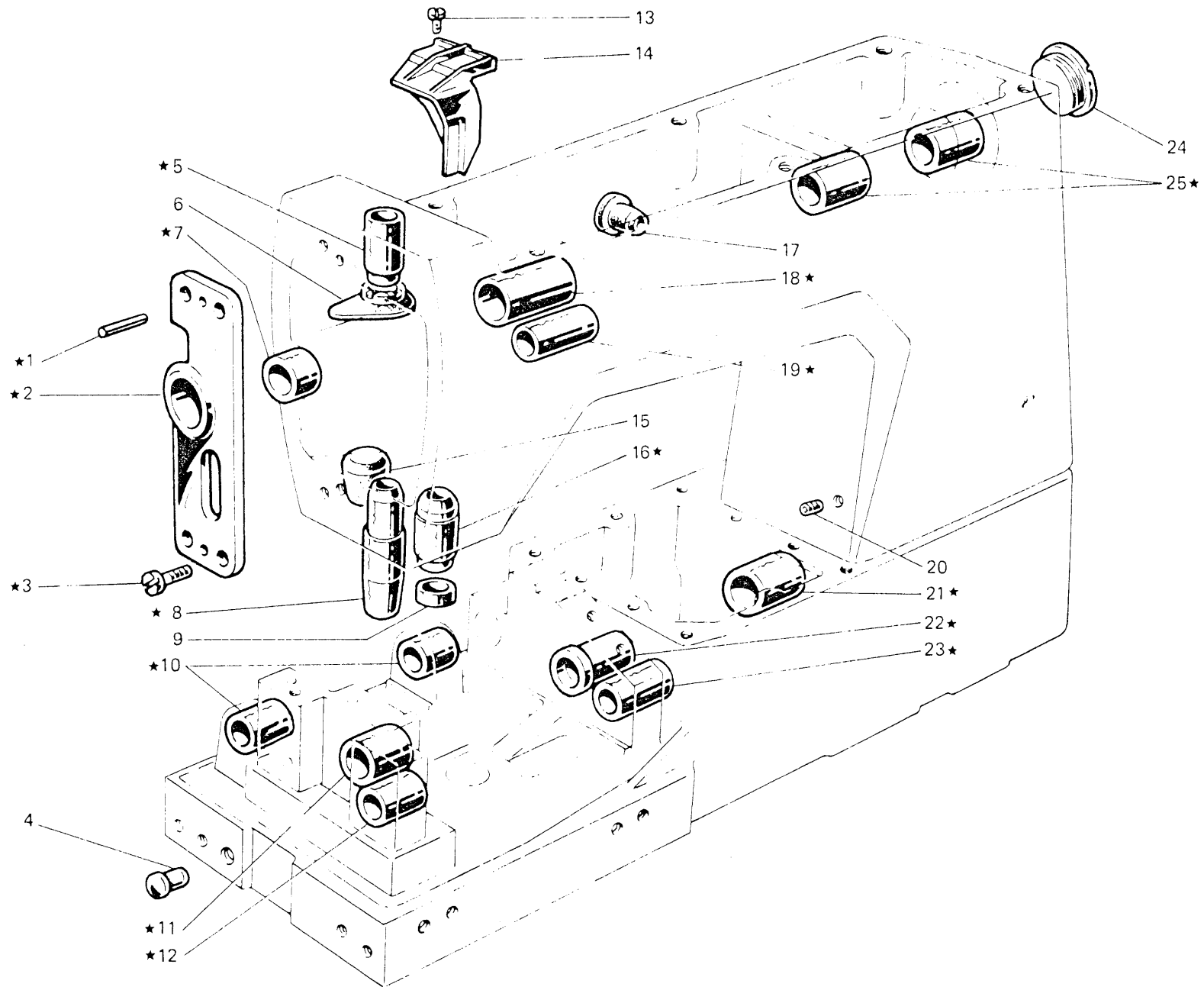
N° 637

| SIMBOLO SYMBOL SYMBOLE | CARATTERISTICHE TESTE | MACHINE HEAD FEATURES | CARACTERISTIQUES TETES |
|------------------------------|-------------------------------------------------------------------------------------------------------------------------------------------------------------------------------------------------------------------------------------------------------------------------------------------------------------------------------------------------------------------------------------------------------------------------------------------------------------------------------------------------------------------------------------------------------------------------------------|-----------------------------------------------------------------------------------------------------------------------------------------------------------------------------------------------------------------------------------------------------------------------------------------------------------------------------------------------------------------------------------------------------------------------------------------------------------------------------------------------------------------------------------------------------------------------------------------------------------------------------------------------------------------------------|-----------------------------------------------------------------------------------------------------------------------------------------------------------------------------------------------------------------------------------------------------------------------------------------------------------------------------------------------------------------------------------------------------------------------------------------------------------------------------------------------------------------------------------------------------------------------------------------------------------------------------------------------|
| 261-40-2MN-01 | <p>Per la produzione di passanti ricavandoli da ritagli di tessuto. La testa, munita di due coppie di coltelli rifilatori, confeziona una striscia continua, avente i margini ripiegati all'interno, dalla quale, in una successiva operazione, vengono tagliati in misura i passanti. La testa è munita di guida per passanti di larghezza 8-10-12-15-18 mm. (specificare all'ordine - vedi Tab. R 135). E' possibile inserire contemporaneamente una fettuccia di rinforzo. A richiesta guide per altre larghezze.</p> <p>Velocità max. 3200 g/1' - N. punti per pollice 8÷13</p> | <p>For making-up belt-loops which are obtained from fabric cuttings. The machine which is fitted with two pairs of trimming knives, produces a continuous strip with the edge folded inwards, from which, in a successive operation, the belt-loops are cut into lengths. The machine is supplied with a folder for the following widths of belt-loops: 8-10-12-15-18 mm (to be specified with the order - on request we can as well supply folders for other widths - see R 135 Tables). It is also possible to insert at the same time a reinforcement tape. For cutting the belt-loops into the desired length.</p> <p>Max speed 3200 r.p.m. - Stitch per inch. 8÷13</p> | <p>Pour confectionner des passants en pantant de chutes de tissu. La tête, dotée de deux paires de couteaux raseurs, confectionne une bande continue ayant les bords repliés à l'intérieur, de laquelle dans une opération successive, on coupe les passants dans la longueur désirée. La tête est équipée d'un guide au choix, pour passants dans les largeurs: 8-10-12-15-18 mm (spécifier à la commande le guide désiré - voir Tabl. R 135). Cette tête peut insérer en même temps une bande de renfort. Sur demande nous pouvons fournir des guides pour d'autres largeurs.</p> <p>Vitesse max. 3200 t.p.m. - N. point par pouce 8÷13</p> |

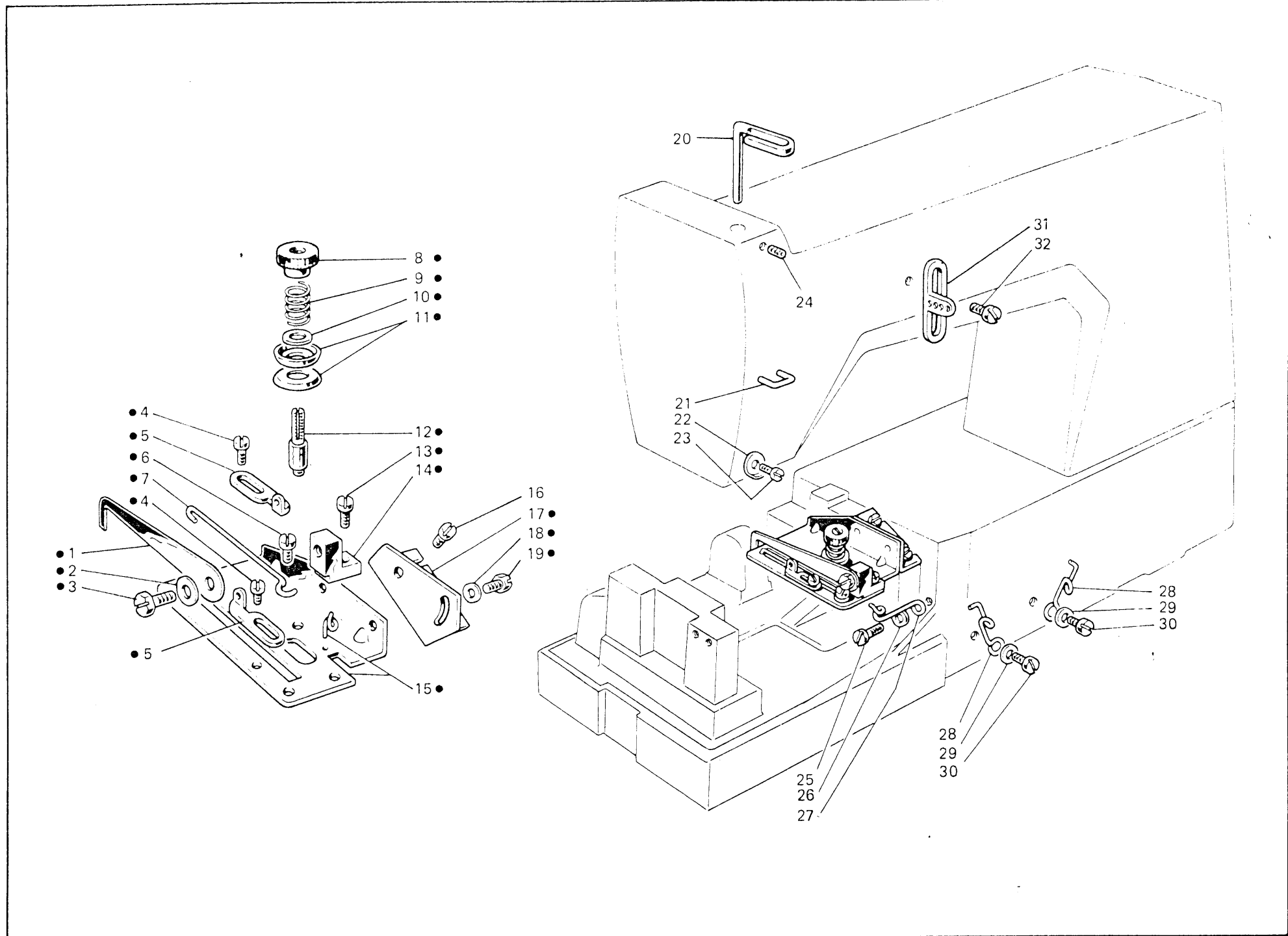
INDICE NUMERICO INDEX

| Part. N. | Tav. N. | Part. N. | Tav. N. | Part. N. | Tav. N. | Part. N. | Tav. N. | Part. N. | Tav. N. | Part. N. | Tav. N. | Part. N. | Tav. N. |
|-------------|---------|-------------|---------|-------------|---------|-------------|---------|-------------|---------|-------------|---------|-------------|---------|
| 200074-0-10 | 13 | 300209-0-10 | 4 | 302356-0-10 | 1 | 306258-0-00 | 12 | 306344-2-00 | 3 | 308084-2-00 | 5 | 308193-2-00 | 4 |
| 200324-0-10 | 2 | 300218-0-10 | 14 | 302590-4-10 | 9 | 306259-3-00 | 12 | 306367-3-01 | 17 | 308086-0-10 | 1 | 308195-0-00 | 4 |
| 200698-0-10 | 13 | 300310-0-10 | 2 | 302708-0-01 | 11 | 306265-0-00 | 13 | 306880-2-00 | 17 | 308090-0-00 | 5 | 308201-0-01 | 2 |
| 200699-0-10 | 13 | 300351-0-11 | 8 | 302803-0-10 | 11 | 306266-4-00 | 13 | 306881-2-00 | 17 | 308094-0-00 | 1 | 308207-0-00 | 16 |
| 200710-0-10 | 14 | 300352-0-10 | 8 | 302812-0-10 | 11 | 306274-0-00 | 17 | 306882-2-00 | 17 | 308098-0-00 | 10 | 308211-0-00 | 16 |
| 200714-0-10 | 14 | 300364-0-10 | 4 | 302844-3-10 | 11 | 306275-0-00 | 17 | 306883-2-00 | 17 | 308101-2-00 | 3 | 308212-0-00 | 16 |
| 200821-0-10 | 13 | 300377-0-10 | 4 | 302857-0-10 | 11 | 306277-3-01 | 17 | 306884-2-00 | 17 | 308102-0-00 | 3 | 308214-0-00 | 16 |
| 201143-0-10 | 4 | 300387-0-10 | 12 | 303045-0-10 | 2 | 306283-2-00 | 11 | 308002-0-00 | 15 | 308103-4-10 | 3 | 308215-0-00 | 1 |
| 201235-0-10 | 20 | 300391-0-10 | 2 | 303458-0-12 | 6 | 306284-2-00 | 11 | 308005-0-00 | 9 | 308104-0-00 | 16 | 308217-0-01 | 2 |
| 202032-0-11 | 9 | 300419-0-10 | 16 | 303459-2-11 | 4 | 306285-2-00 | 11 | 308006-4-00 | 9 | 308105-4-03 | 16 | 308218-0-00 | 1 |
| 202100-0-10 | 13 | 300420-0-10 | 16 | 303501-0-10 | 1 | 306286-2-00 | 11 | 308007-0-00 | 10 | 308110-3-02 | 16 | 308219-0-00 | 16 |
| 202120-0-10 | 13 | 300469-2-11 | 7 | 303503-0-10 | 7 | 306295-0-00 | 12 | 308009-0-00 | 1 | 308111-0-00 | 16 | 308220-0-00 | 9 |
| 202165-0-10 | 3 | 300482-0-10 | 7-8 | 303538-0-00 | 7 | 306296-0-00 | 12 | 308012-2-01 | 5 | 308113-0-00 | 15 | 308226-0-02 | 15 |
| 202229-0-10 | 14 | 300483-0-10 | 2-3 | 303539-0-00 | 7 | 306297-0-00 | 3 | 308013-4-01 | 5 | 308114-2-01 | 16 | 308228-2-00 | 15 |
| 202239-0-10 | 3 | 301458-0-10 | 4 | 303899-0-10 | 9 | 306298-0-00 | 12 | 308015-0-00 | 6 | 308119-0-00 | 4 | 308232-0-00 | 1 |
| 202398-0-10 | 1 | 301459-4-10 | 4 | 304763-0-10 | 14 | 306300-0-00 | 11 | 308028-2-00 | 4 | 308123-0-00 | 16 | 308234-2-00 | 9 |
| 202468-0-10 | 11 | 301519-2-11 | 4 | 304767-2-10 | 10 | 306301-0-00 | 11 | 308029-2-00 | 4 | 308125-0-00 | 15 | 308235-0-00 | 9 |
| 202474-0-10 | 7 | 301579-0-10 | 4 | 305170-0-01 | 4 | 306302-0-00 | 11 | 308031-0-00 | 1 | 308127-0-00 | 5 | 308236-2-01 | 9 |
| 202486-0-10 | 4 | 301591-0-10 | 9 | 305172-0-00 | 4 | 306303-2-00 | 17 | 308032-0-00 | 1 | 308128-0-00 | 3 | 308238-4-00 | 9 |
| 202556-0-00 | 14 | 302052-2-21 | 7 | 305194-0-00 | 8 | 306304-4-00 | 17 | 308036-2-00 | 9 | 308129-0-00 | 3 | 308239-0-00 | 9 |
| 202558-2-00 | 14 | 302057-0-12 | 17 | 306203-0-11 | 17 | 306306-0-00 | 17 | 308037-0-00 | 9 | 308137-0-00 | 2 | 308243-3-00 | 16 |
| 203211-0-10 | 19-20 | 302059-0-10 | 10 | 306212-0-10 | 13 | 306308-3-01 | 17 | 308038-0-10 | 9 | 308138-0-11 | 1 | 308244-4-00 | 9 |
| 203589-0-10 | 12 | 302060-0-11 | 10 | 306214-2-10 | 13 | 306309-0-00 | 13 | 308039-0-01 | 9 | 308140-0-00 | 7 | 308254-3-00 | 5 |
| 204918-0-10 | 13 | 302136-0-12 | 2 | 306218-0-00 | 17 | 306312-0-00 | 11 | 308040-2-00 | 16 | 308148-0-00 | 10 | 308261-4-00 | 7 |
| 204926-0-10 | 13 | 302149-0-11 | 2 | 306220-0-10 | 11 | 306313-2-00 | 17 | 308041-0-00 | 9 | 308149-0-01 | 5 | 308272-0-00 | 7 |
| 204927-0-10 | 13 | 302168-2-10 | 2 | 306221-2-10 | 11 | 306314-4-00 | 17 | 308042-0-00 | 9 | 308150-0-10 | 15 | 308273-0-00 | 7 |
| 204934-0-10 | 13 | 302172-0-10 | 2 | 306222-2-10 | 11 | 306315-0-00 | 13 | 308043-0-00 | 16 | 308151-0-01 | 15 | 308278-0-01 | 6 |
| 204935-0-10 | 13 | 302204-0-10 | 2 | 306223-0-10 | 11 | 306319-3-01 | 17 | 308044-0-00 | 8 | 308153-0-00 | 16 | 308281-0-00 | 6 |
| 204936-0-10 | 13 | 302232-0-10 | 14 | 306224-0-10 | 11 | 306320-0-00 | 11 | 308045-0-01 | 8 | 308154-0-00 | 16 | 308283-2-00 | 4 |
| 204937-0-10 | 13 | 302234-0-10 | 10 | 306226-2-10 | 11 | 306321-2-00 | 17 | 308046-2-01 | 8 | 308155-4-01 | 16 | 308285-0-00 | 4 |
| 204938-0-10 | 13 | 302238-0-10 | 14 | 306234-0-00 | 11 | 306322-4-00 | 17 | 308047-0-00 | 8 | 308159-2-01 | 5 | 308286-4-00 | 4 |
| 206545-0-00 | 15 | 302272-0-10 | 5 | 306235-0-00 | 11 | 306325-0-00 | 13 | 308052-4-00 | 10 | 308161-0-00 | 5 | 308287-0-00 | 4 |
| 206555-0-01 | 16 | 302276-0-10 | 7 | 306236-2-10 | 11 | 306327-3-01 | 17 | 308054-0-01 | 10 | 308162-0-00 | 5 | 308289-2-00 | 4 |
| 206557-0-00 | 16 | 302289-0-10 | 8 | 306239-2-00 | 11 | 306330-2-00 | 12 | 308055-2-00 | 10 | 308166-0-00 | 5 | 308292-4-00 | 7 |
| 206559-0-00 | 15 | 302292-0-10 | 9 | 306241-0-00 | 11 | 302332-2-00 | 12 | 308056-0-01 | 10 | 308174-3-00 | 5 | 308293-0-01 | 1 |
| 206560-0-10 | 15 | 302338-0-10 | 9 | 306242-0-01 | 11 | 306335-0-00 | 13 | 308057-0-00 | 10 | 308178-4-00 | 5 | 308295-0-00 | 16 |
| 206564-0-00 | 15 | 302344-0-10 | 10 | 306244-0-00 | 11 | 306336-0-00 | 13 | 308058-0-00 | 10 | 308180-2-00 | 16 | 308296-0-00 | 1 |
| 206583-0-00 | 9 | 302352-0-10 | 9 | 306245-4-00 | 11 | 306340-0-00 | 11 | 308059-0-00 | 10 | 308184-0-00 | 16 | 308297-0-00 | 1 |
| 206669-2-02 | 16 | 302353-0-10 | 3 | 306247-2-00 | 17 | 306341-2-00 | 17 | 308060-4-00 | 10 | 308185-0-00 | 16 | 308298-0-00 | 1 |
| 206754-0-00 | 11 | 302354-0-10 | 3 | 306248-4-00 | 17 | 306342-4-00 | 17 | 308061-0-01 | 10 | 308190-0-00 | 4 | 308310-0-00 | 5 |
| 300006-0-12 | 3 | 302355-0-10 | 3 | 306256-2-00 | 12 | 306343-0-00 | 13 | 308062-2-00 | 14 | 308191-4-00 | 4 | 308320-4-00 | 14 |

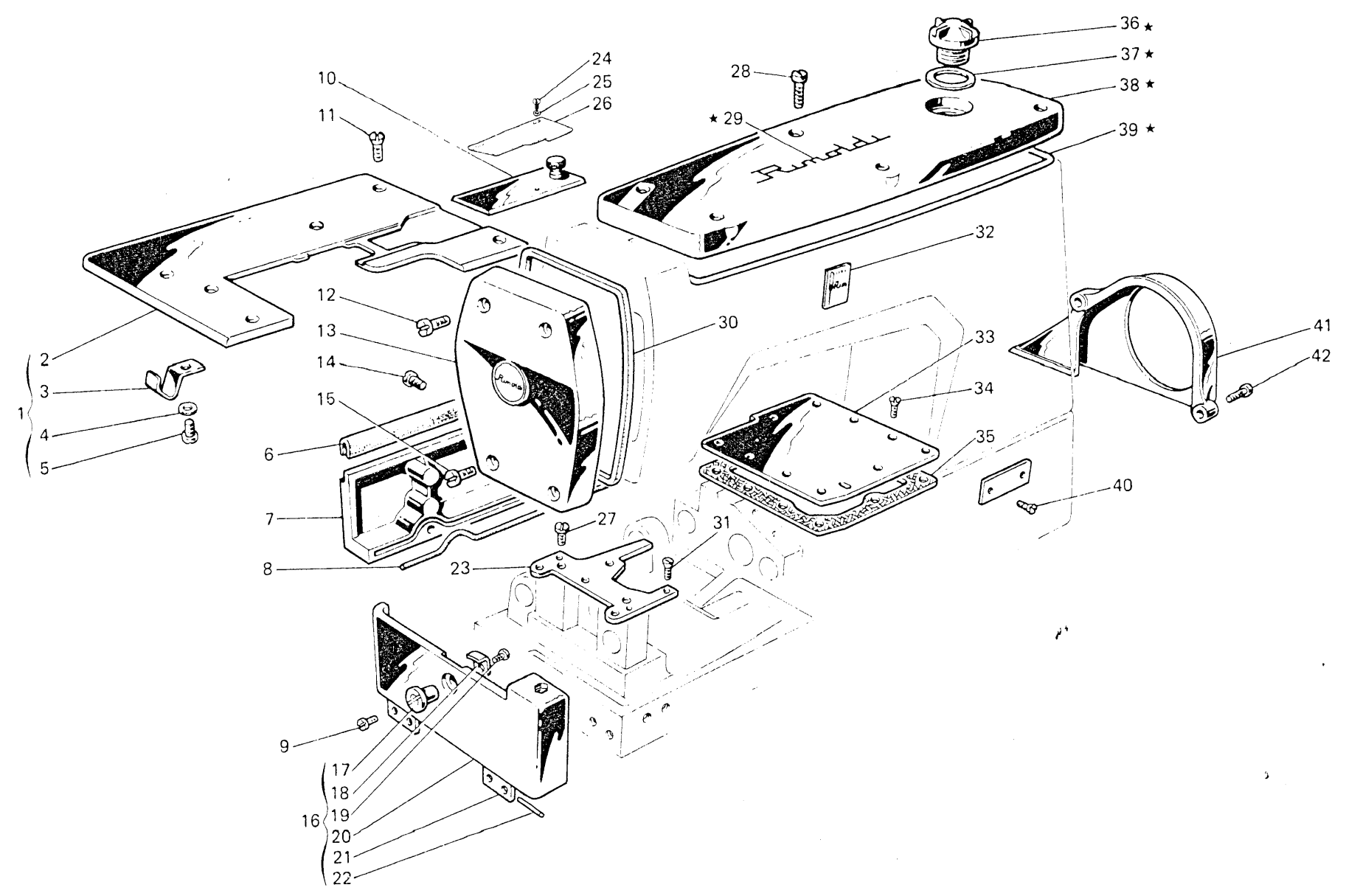
| Part. N. | Tav. N. | Part. N. | Tav. N. | Part. N. | Tav. N. | Part. N. | Tav. N. | Part. N. | Tav. N. | Part. N. | Tav. N. | Part. N. | Tav. N. |
|-------------|---------|-------------|-------------|-------------|---------|-------------|---------|-------------|---------|-------------|-----------|-------------|---------|
| 308321-0-00 | 14 | 308780-2-00 | 6 | 700208-0-00 | 19-20 | 705970-0-00 | 3 | 729434-2-00 | 8-11 | 742214-2-00 | 7 | 784392-0-30 | 17 |
| 308325-3-00 | 8 | 308783-2-00 | 3 | 700596-0-00 | 5 | 705977-0-00 | 15 | 729884-2-00 | 14 | 742222-2-00 | 5 | 788020-0-01 | 3 |
| 308326-2-01 | 8 | 308802-0-00 | 5 | 701004-0-00 | 16 | 706454-0-00 | 1 | 730011-2-00 | 16 | 742282-2-00 | 3 | 788720-0-00 | 19-20 |
| 308327-0-00 | 8 | 308851-2-01 | 9 | 701007-0-00 | 14 | 707240-0-00 | 10 | 730023-2-00 | 11 | 742311-2-00 | 9 | 790242-0-00 | 16 |
| 308330-3-00 | 8 | 308852-0-00 | 1 | 701009-0-00 | 8 | 707241-0-00 | 14 | 730033-2-00 | 7-9 | 742423-0-00 | 7 | 790307-0-00 | 16 |
| 308332-4-00 | 8 | 308853-0-00 | 1 | 701032-0-00 | 16 | 707298-0-00 | 19-20 | 730034-2-00 | 11 | 742811-0-00 | 4 | 790315-0-00 | 16 |
| 308333-0-01 | 8 | 308855-0-00 | 5-9 | 701051-0-00 | 15 | 707556-0-00 | 3 | 730054-2-00 | 5 | 742813-0-00 | 4 | 790325-0-00 | 16 |
| 308340-4-00 | 4 | 308858-0-00 | 1 | 702403-0-00 | 7 | 720411-2-00 | 3 | 731107-2-00 | 21 | 743243-2-00 | 11 | 790342-0-00 | 16 |
| 308362-4-01 | 6 | 308859-2-00 | 1 | 703003-0-00 | 15 | 720494-2-00 | 19-20 | 733008-2-00 | 19-20 | 743541-2-00 | 19-20 | 900201-0-10 | 19-20 |
| 308379-0-00 | 15 | 308934-4-00 | 2 | 703005-0-00 | 9-21 | 721424-2-00 | 16 | 733505-0-00 | 12 | 744040-2-00 | 8 | 900317-0-10 | 19-20 |
| 308385-2-01 | 6 | 308967-2-00 | 4 | 703208-0-00 | 11 | 721434-2-00 | 13 | 733507-0-00 | 16 | 744332-2-00 | 10 | 900647-0-10 | 19-20 |
| 308406-0-00 | 1 | 308971-3-00 | 4 | 703810-0-00 | 7 | 721443-2-00 | 11 | 733508-2-00 | 21 | 744334-2-00 | 9 | 900691-0-10 | 19-20 |
| 308412-2-02 | 10 | 308996-0-01 | 14 | 703825-0-00 | 11 | 721444-2-00 | 1-2-4 | 740034-2-00 | 14 | 744530-0-00 | 17 | 900694-0-11 | 19-20 |
| 308452-2-00 | 9 | 309053-2-00 | 3 | 704009-0-00 | 19-20 | 721475-2-00 | 3-19-20 | 740210-2-00 | 2 | 744533-0-00 | 13 | 900703-0-10 | 19-20 |
| 308462-0-00 | 3 | 309072-4-00 | 3 | 704104-2-00 | 2-3 | 721484-2-00 | 19-20 | 740220-2-00 | 2 | 744636-2-00 | 3-12 | 900704-2-10 | 19-20 |
| 308495-2-00 | 14 | 309084-0-00 | 3 | 704210-4-00 | 2-9 | 721485-2-00 | 1 | 740226-0-00 | 7 | 744654-2-00 | 12 | 900706-2-10 | 19-20 |
| 308501-0-01 | 14 | 309086-0-01 | 3 | 704216-2-00 | 13 | 721494-2-00 | 10 | 740236-0-00 | 13 | 744676-2-00 | 8-14 | 900708-0-10 | 19-20 |
| 308502-0-00 | 14 | 309088-0-00 | 3 | 704218-2-00 | 2-4-12 | 721514-0-00 | 16 | 740240-0-00 | 15 | 744730-0-00 | 3 | 900709-0-10 | 19-20 |
| 308503-0-01 | 14 | 309134-3-00 | 3 | 704226-2-00 | 7-19-20 | 722063-2-00 | 15 | 740444-2-00 | 10 | 745001-0-00 | 9 | 900713-0-10 | 19-20 |
| 308504-0-00 | 14 | 309147-4-00 | 3 | 704232-2-00 | 11 | 722422-2-00 | 9 | 740632-2-00 | 10-14 | 745126-2-00 | 14 | 900714-0-10 | 19-20 |
| 308505-0-00 | 14 | 309323-0-00 | 3 | 704236-2-00 | 10 | 722431-2-00 | 4-13-21 | 740888-0-00 | 19-20 | 745136-2-00 | 4 | 900715-0-10 | 19-20 |
| 308506-0-00 | 14 | 309324-2-10 | 3 | 704240-2-00 | 14 | 722441-2-00 | 11 | 741056-0-00 | 5 | 745810-2-00 | 9 | 900716-0-10 | 19-20 |
| 308507-0-00 | 14 | 309332-0-00 | 3 | 704302-4-00 | 2 | 722443-2-00 | 20 | 741082-2-00 | 16 | 745812-2-00 | 5-9 | 900728-3-10 | 19-20 |
| 308512-0-00 | 14 | 309351-0-00 | 3 | 704306-0-00 | 3-20 | 722453-2-00 | 15 | 741088-2-00 | 3 | 745815-2-00 | 4-5-7-8 | 900731-0-10 | 19-20 |
| 308518-4-00 | 14 | 309371-0-00 | 3 | 704309-4-00 | 8 | 722484-2-00 | 11 | 741092-0-00 | 16 | 745827-2-00 | 6-10 | 900734-3-10 | 19-20 |
| 308521-4-00 | 14 | 309372-0-00 | 3 | 704310-0-00 | 19-20 | 722493-2-00 | 19-20 | 741413-2-00 | 2 | 746008-0-00 | 9 | 900737-0-10 | 19-20 |
| 308528-4-00 | 14 | 309560-0-00 | 4 | 704344-2-00 | 19-20 | 722905-2-00 | 19-20 | 741453-0-00 | 17 | 746021-2-00 | 13 | 900738-0-10 | 19-20 |
| 308551-0-00 | 2 | 309711-4-01 | 6 | 704347-2-00 | 4 | 724054-0-00 | 19-20 | 741510-0-00 | 3 | 746203-4-00 | 19-20 | 900744-2-00 | 19-20 |
| 308553-2-00 | 2 | 309756-2-01 | 9 | 704409-2-00 | 19-20 | 724420-2-00 | 2 | 741546-2-00 | 4 | 746204-0-00 | 14 | 900750-0-11 | 19-20 |
| 308556-0-00 | 2 | 309770-0-00 | 9 | 704424-2-00 | 13 | 724441-0-00 | 6 | 741611-2-00 | 9 | 746204-2-00 | 11 | 900760-0-10 | 19-20 |
| 308558-0-00 | 2 | 309806-4-01 | 9 | 704813-0-00 | 16 | 727215-0-00 | 4 | 741612-0-00 | 2 | 746408-2-00 | 5-9-19-20 | 910355-0-00 | 19-20 |
| 308580-2-10 | 15 | 309830-2-00 | 9 | 704814-0-00 | 6 | 727834-2-00 | 14 | 741634-2-00 | 12 | 746612-2-00 | 6 | 925433-0-00 | 21 |
| 308592-4-03 | 15 | 309831-2-00 | 9 | 704828-0-00 | 9 | 728232-0-00 | 4 | 741642-2-00 | 2 | 766000-6-80 | 9 | 930066-0-10 | 12 |
| 308625-3-00 | 1 | 309838-2-01 | 4 | 704846-0-00 | 4-7 | 729011-2-00 | 4 | 741655-0-00 | 13 | 778203-0-00 | 9 | 930151-0-10 | 12 |
| 308714-3-01 | 6 | 309839-2-01 | 4 | 704849-0-00 | 8 | 729012-2-00 | 2 | 741658-2-00 | 3 | 778204-0-00 | 11 | 990075-1-13 | 18 |
| 308726-0-00 | 4 | 310353-4-00 | 5 | 704869-0-00 | 5-9 | 729013-2-00 | 4-9-11 | 741675-2-00 | 8 | 778238-0-00 | 4 | 990175-0-10 | 18 |
| 308727-0-00 | 4 | 310500-4-00 | 16 | 705013-0-00 | 5-9 | 729032-2-00 | 1 | 741682-0-00 | 2 | 778240-0-00 | 16 | 990176-0-10 | 18 |
| 308728-4-00 | 4 | 311098-0-00 | 2 | 705201-0-00 | 2 | 729034-2-00 | 14-21 | 741721-2-00 | 17 | 778404-0-00 | 11 | 990179-4-11 | 19-20 |
| 308729-5-00 | 4 | 311395-0-00 | 15 | 705208-0-00 | 9 | 729044-2-00 | 5 | 741936-2-00 | 3-11-13 | 778407-0-00 | 9 | 990181-0-10 | 18 |
| 308762-2-00 | 11 | 312810-3-00 | 7 | 705734-0-00 | 7 | 729054-2-00 | 21 | 741956-2-00 | 11 | 778461-0-00 | 15 | 990182-0-10 | 18 |
| 308774-2-00 | 6 | 700205-0-00 | 10-13-19-20 | 705834-0-00 | 8 | 729066-2-00 | 19-20 | 742027-0-00 | 12 | 778827-0-00 | 7 | 990188-0-10 | 18 |



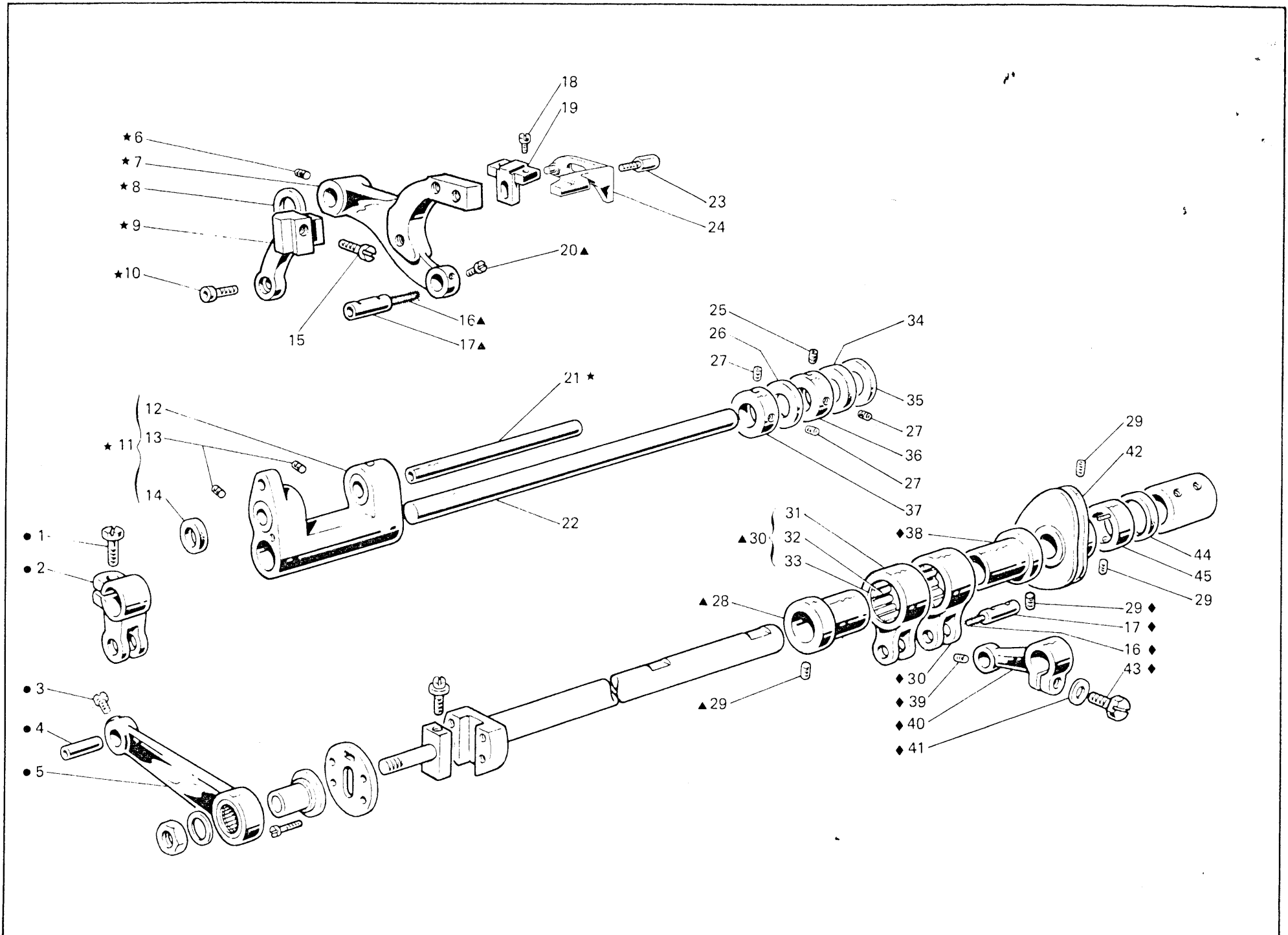
| Fig. N. Abb. N. | Part. N. Bestell N. Pieze N. | Qt. Anzahl | DESCRIZIONE | DESCRIPTION | DESCRIPTION | BENENNUNG | DESCRIPCION |
|--------------------|------------------------------------|---------------|----------------------------|--------------------------|-------------------------|-----------|-------------|
| ★ | 308625-3-00 | 1 | base e braccio con bussola | base and arm with bushes | base et bras avec bague | | |
| 1 | 706454-0-00 | 2 | spina | pin | goupille | | |
| 2 | 308859-2-00 | 1 | supporto con bussola | support with bush | support avec bague | | |
| 3 | 721485-2-00 | 4 | vite | screw | vis | | |
| 4 | 202398-0-10 | 1 | tappo | plug | bouchon | | |
| 5 | 308032-0-00 | 1 | bussola | bush | bague | | |
| 6 | 308215-0-00 | 1 | protezione olio | oil protection | protection huile | | |
| 7 | 308858-0-00 | 1 | bussola | bush | bague | | |
| 8 | 308406-0-00 | 1 | bussola | bush | bague | | |
| 9 | 308218-0-00 | 1 | scodellino inferiore | lower cup | cuvette inférieur | | |
| 10 | 308296-0-00 | 2 | bussola | bush | bague | | |
| 11 | 308293-0-01 | 1 | bussola | bush | bague | | |
| 12 | 308297-0-00 | 1 | bussola | bush | bague | | |
| 13 | 721444-2-00 | 1 | vite | screw | vis | | |
| 14 | 308138-0-11 | 1 | carter paraolio | oil retainer cover | carter pare-huile | | |
| 15 | 308094-0-00 | 1 | tappo foro bussola | plug | bouchon | | |
| 16 | 308031-0-00 | 1 | bussola | bush | bague | | |
| 17 | 303501-0-10 | 1 | tappo per foro tendifilo | plug | bouchon | | |
| 18 | 308852-0-00 | 1 | bussola | bush | bague | | |
| 19 | 308232-0-00 | 1 | bussola | bush | bague | | |
| 20 | 729032-2-00 | 1 | vite | screw | vis | | |
| 21 | 308086-0-10 | 1 | bussola | bush | bague | | |
| 22 | 308009-0-00 | 1 | bussola | bush | bague | | |
| 23 | 308298-0-00 | 1 | bussola | bush | bague | | |
| 24 | 302356-0-10 | 1 | tappo | plug | bouchon | | |
| 25 | 308853-0-00 | 2 | bussola | bush | bague | | |



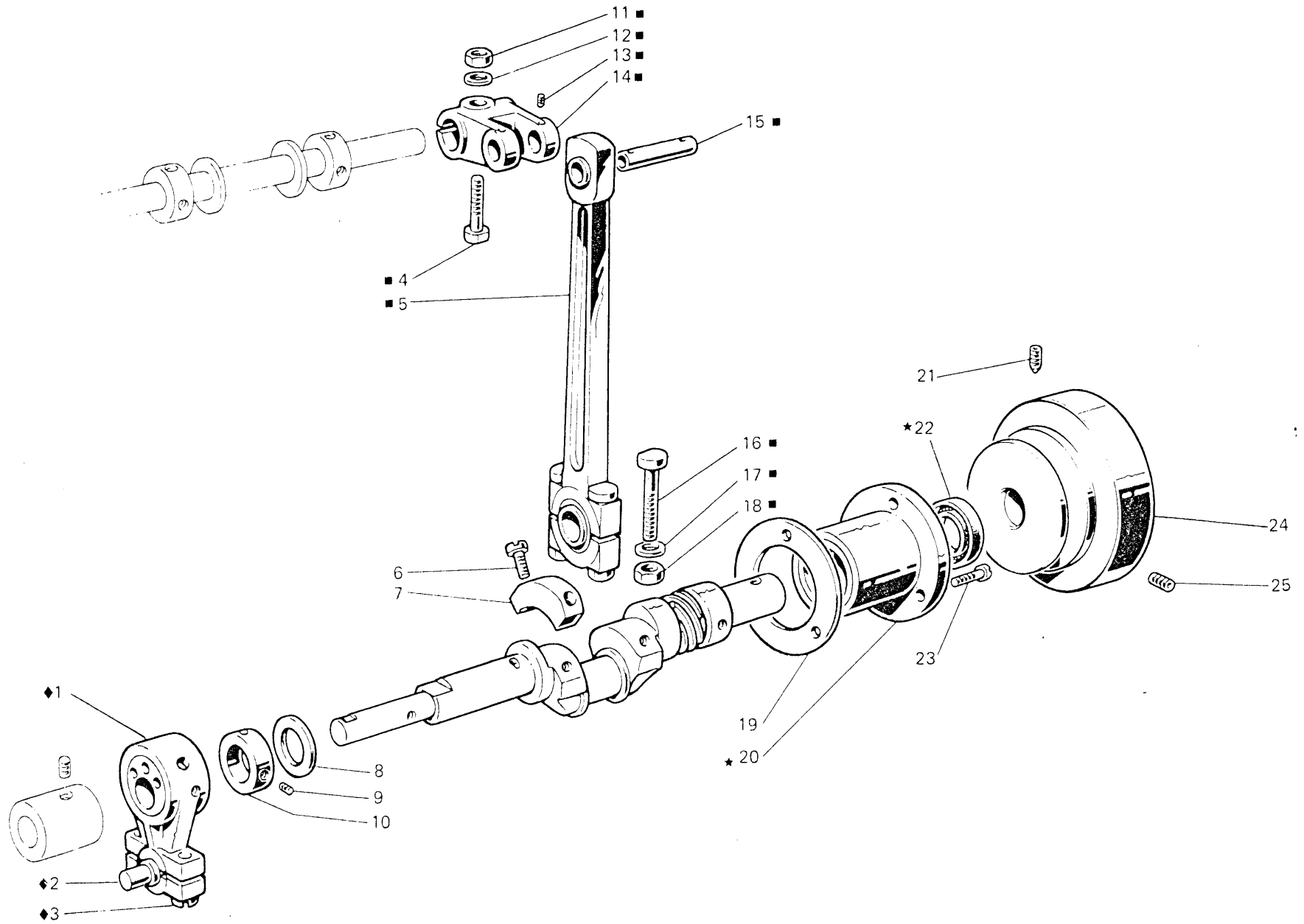
| Fig. N. Abb. N. | Part. N. Bestell N. Piece N. Pieza N. | Qt. Anzahl | DESCRIZIONE | DESCRIPTION | DESCRIPTION | BENENNUNG | DESCRIPCION |
|--------------------|------------------------------------------------|---------------|------------------------------|-----------------------------------|----------------------------------|-----------|-------------|
| ● | 308934-4-00 | 1 | gruppo tensione crochet inf. | tension assembly for lower looper | groupe tension crochet inférieur | | |
| 1 | 308556-0-00 | 1 | astina | rod | tige | | |
| 2 | 705201-0-00 | 1 | rondella | washer | rondelle | | |
| 3 | 740220-2-00 | 1 | vite | screw | vis | | |
| 4 | 741413-2-00 | 2 | vite | screw | vis | | |
| 5 | 302172-0-10 | 2 | passafilo | thread guide | passe-fil | | |
| 6 | 741612-0-00 | 1 | vite | screw | vis | | |
| 7 | 308558-0-00 | 1 | traversino | tie-rod | traverse | | |
| 8 | 302204-0-10 | 1 | pomolo | knob | pommeau | | |
| 9 | 300310-0-10 | 1 | molla | spring | ressort | | |
| 10 | 704218-2-00 | 1 | rondella | washer | rondelle | | |
| 11 | 200324-0-10 | 2 | disco tensione | tension disc | disque tension | | |
| 12 | 300391-0-10 | 1 | perno a vite | threaded pin | pivot à vis | | |
| 13 | 741642-2-00 | 1 | vite | screw | vis | | |
| 14 | 302168-2-10 | 1 | supporto | support | support | | |
| 15 | 308553-2-00 | 1 | piastra | plate | plaque | | |
| 16 | 721444-2-00 | 2 | vite | screw | vis | | |
| 17 | 308551-0-00 | 1 | squadretta | bracket | équerre | | |
| 18 | 704104-2-00 | 2 | vite | screw | vis | | |
| 19 | 740210-2-00 | 2 | vite | screw | vis | | |
| 20 | 302136-0-12 | 1 | passafilo | thread guide | passe-fil | | |
| 21 | 308137-0-00 | 1 | cavallotto | coupling | cavalier | | |
| 22 | 308201-0-01 | 1 | passafilo | thread guide | passe-fil | | |
| 23 | 724420-2-00 | 1 | vite | screw | vis | | |
| 24 | 729012-2-00 | 1 | vite | screw | vis | | |
| 25 | 741682-0-00 | 1 | vite | screw | vis | | |
| 26 | 704302-4-00 | 1 | rondella | washer | rondelle | | |
| 27 | 302149-0-11 | 1 | passafilo | thread guide | passe-fil | | |
| 28 | 311098-0-00 | 2 | passafilo | thread guide | passe-fil | | |
| 29 | 704210-4-00 | 2 | rondella | washer | rondelle | | |
| 30 | 300483-0-10 | 2 | vite | screw | vis | | |
| 31 | 303045-0-10 | 2 | vite | screw | vis | | |
| 32 | 308217-0-01 | 2 | guidafilo | thread guide | guide-fil | | |



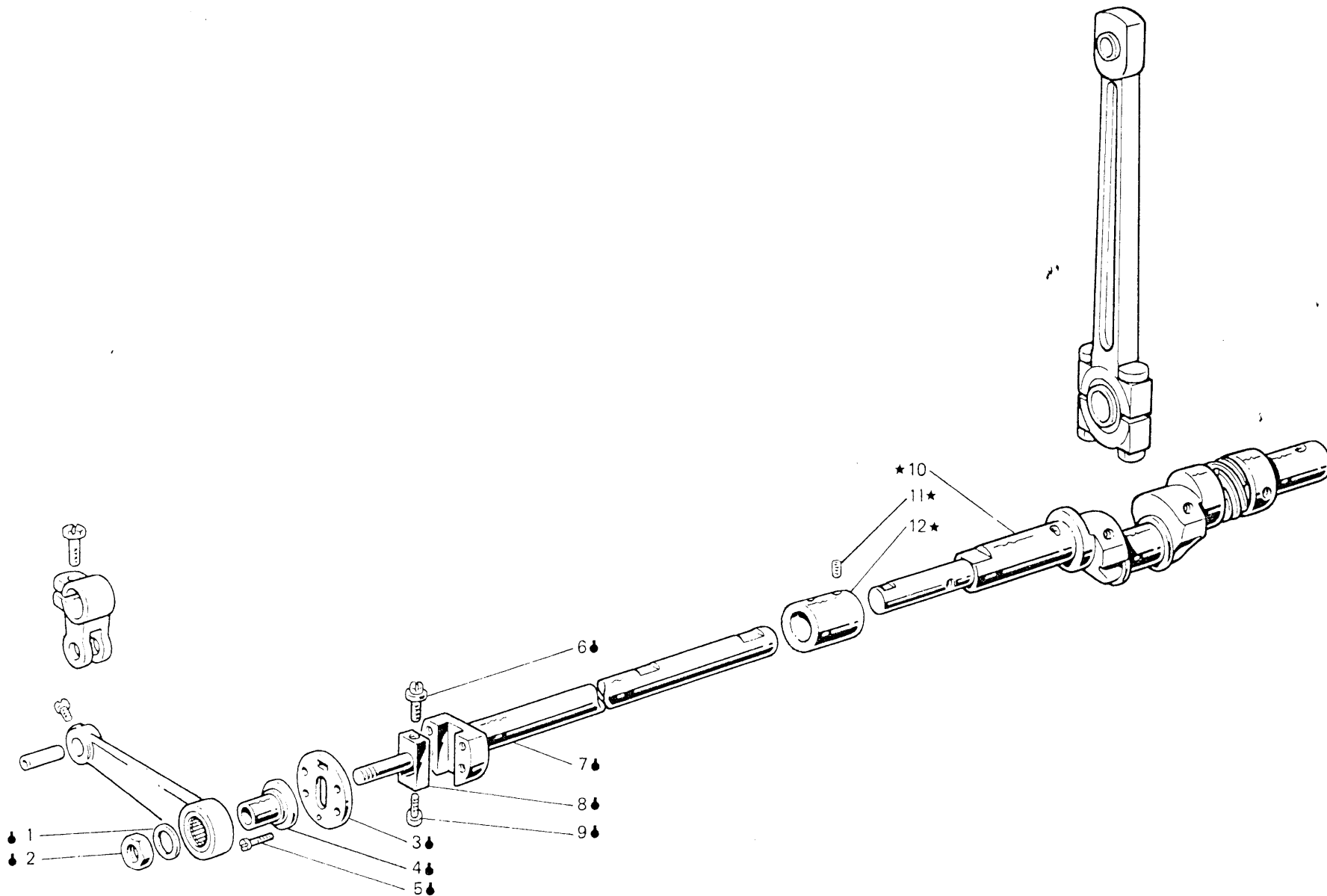
| Fig. N. Abb. N. | Part. N. Piecce N. Bestelli N. Pieza N. | Qt. Anzahl | DESCRIZIONE | DESCRIPTION | DESCRIPTION | BENENNUNG | DESCRIPCION |
|--------------------|--------------------------------------------------|---------------|----------------------------|------------------------|--------------------------------|-----------|-------------|
| ★ | 308103-4-10 | 1 | coperchio superiore compl. | upper cover assembly | couvercle supérieur compl. | | |
| 1 | 309072-4-00 | 1 | piano di lavoro compl. | working plate assembly | plan de travail complet | | |
| 2 | 309053-2-00 | 1 | piano di lavoro | working plate | plan de travail | | |
| 3 | 309351-0-00 | 1 | molla | spring | ressort | | |
| 4 | 704306-0-00 | 1 | rondella | washer | rondelle | | |
| 5 | 720411-2-00 | 1 | vite | screw | vis | | |
| 6 | 309088-0-00 | 1 | guarnizione | gasket | garniture | | |
| 7 | 309086-0-01 | 1 | carter posteriore | rear cover | carter supérieur | | |
| 8 | 309084-0-00 | 1 | guarnizione | gasket | garniture | | |
| 9 | 300483-0-10 | 4 | vite per cerniera | screw for hinge | vis pour charnière | | |
| 10 | 306344-2-00 | 1 | coperchio scorrevole | sliding cover | couvercle coulissant | | |
| 11 | 744636-2-00 | 5 | vite | screw | vis | | |
| 12 | 302354-0-10 | 2 | vite superiore | upper screw | vis supérieure | | |
| 13 | 308101-2-00 | 1 | coperchio laterale | side cover | couvercle latéral | | |
| 14 | 741088-2-00 | 3 | vite per carter posteriore | screw for rear cover | vis pour carter arrière | | |
| 15 | 302353-0-10 | 2 | vite inferiore | lower screw | vis inférieure | | |
| 16 | 309147-4-00 | 1 | carter laterale completo | side cover assembly | carter latéral complet | | |
| 17 | 309372-0-00 | 1 | perno | pin | pivot | | |
| 18 | 309371-0-00 | 1 | chiavistello | key | clé | | |
| 19 | 741658-2-00 | 1 | vite | screw | vis | | |
| 20 | 309134-3-00 | 1 | carter laterale | side cover | carter latéral | | |
| 21 | 309332-0-00 | 2 | cerniera | hinge | charnière | | |
| 22 | 707556-0-00 | 2 | spina | pin | goupille | | |
| 23 | 308783-2-00 | 1 | piastra porta placca | plate | plaque | | |
| 24 | 741510-0-00 | 2 | vite | screw | vis | | |
| 25 | 704104-2-00 | 2 | rondella | washer | rondelle | | |
| 26 | 306297-0-00 | 1 | piastrina | plate | plaque | | |
| 27 | 302355-0-10 | 2 | vite per piastra | screw for plate | vis pour plaque | | |
| 28 | 742282-2-00 | 6 | vite per coperchio | screw for cover | vis pour couvercle | | |
| 29 | 300006-0-12 | 2 | decalcomania | decalcomania | décalcomanie | | |
| 30 | 308128-0-00 | 1 | guarnizione coperchio | cover gasket | garniture couvercle | | |
| 31 | 744730-0-00 | 2 | vite per placca ago | screw for needle plate | vis pour plaque aiguille | | |
| 32 | 788020-0-01 | 1 | decalcomania sistema aghi | needles decalcomania | décalcomanie système aiguilles | | |
| 33 | 309324-2-10 | 1 | piastra superiore | upper plate | plaque supérieure | | |
| 34 | 741936-2-00 | 10 | vite per piastra | screw for plate | vis pour plaque | | |
| 35 | 309323-0-00 | 1 | guarnizione | gasket | garniture | | |
| 36 | 202239-0-10 | 1 | cupolina | cup | cupole | | |
| 37 | 705970-0-00 | 1 | guarnizione per cupolina | gasket | garniture | | |
| 38 | 308102-0-00 | 1 | coperchio superiore | upper cover | couvercle supérieur | | |
| 39 | 308129-0-00 | 1 | guarnizione per coperchio | gasket for cover | garniture pour couvercle | | |
| 40 | 202165-0-10 | 2 | vite per targhetta | screw for plate | vis pour plaquette | | |
| 41 | 308462-0-00 | 1 | carter copricinghia | cover | carter | | |
| 42 | 721475-2-00 | 2 | vite | screw | vis | | |



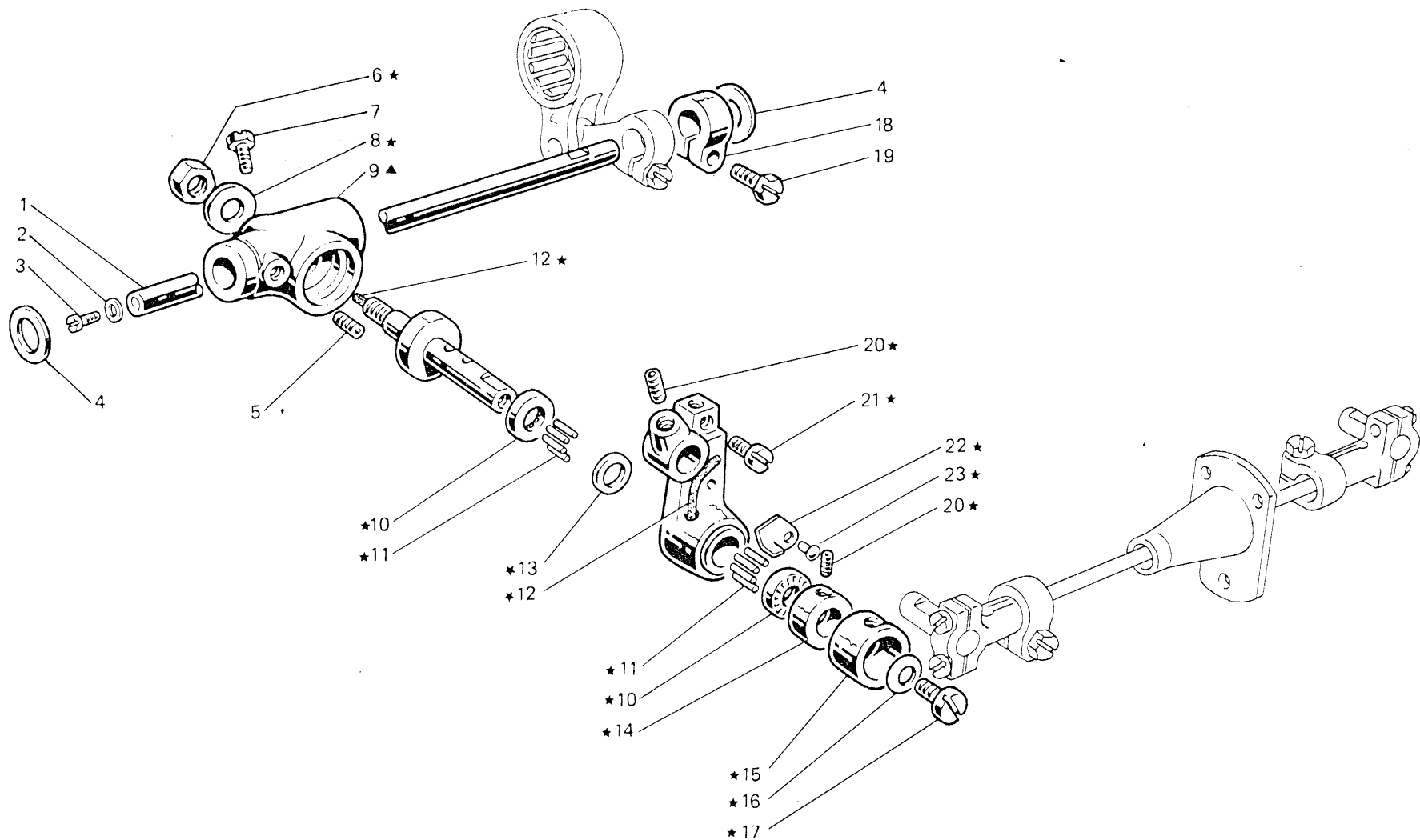
| Fig. N. Abb. N. | Part. N. Piecce N. Bestell N. Pieza N. | Qt. Anzahl | DESCRIZIONE | DESCRIPTION | DESCRIPTION | BENENNUNG | DESCRIPCION |
|--------------------|-------------------------------------------------|---------------|-----------------------------------------------|--------------------------------------------|----------------------------------------------|-----------|-------------|
| ▲ | 308729-5-00 | 1 | gruppo porta griffa completa (con fig. ★) | feed dog holder assembly (with fig. ★) | groupe porte griffe compl. (avec fig. ★) | | |
| ★ | 308728-4-00 | 1 | gruppo porta griffa | feed dog holder assembly | groupe porte griffe | | |
| ● | 308286-4-00 | 1 | gruppo leva | lever assembly | groupe levier | | |
| ◆ | 308340-4-00 | 1 | gruppo comando crochet | looper control assembly | groupe commande crochet | | |
| 1 | 202486-0-10 | 1 | vite | screw | vis | | |
| 2 | 301519-2-11 | 1 | attacco | coupling | raccord | | |
| 3 | 742813-0-00 | 1 | vite | screw | vis | | |
| 4 | 308285-0-00 | 1 | perno | pin | pivot | | |
| 5 | 308283-2-00 | 1 | leva comando porta griffa | lever | levier | | |
| 6 | 745815-2-00 | 1 | vite | screw | vis | | |
| 7 | 308726-0-00 | 1 | braccio porta griffa | feed dog arm | bras porte-griffe | | |
| 8 | 309560-0-00 | 2 | rondella | washer | rondelle | | |
| 9 | 308727-0-00 | 1 | attacco porta griffa | coupling | raccord | | |
| 10 | 722431-2-00 | 2 | vite | screw | vis | | |
| 11 | 308191-4-00 | 1 | supporto oscillante compl. | support assembly | support complet | | |
| 12 | 308193-2-00 | 1 | supporto con viti | support with screws | support avec vis | | |
| 13 | 729013-2-00 | 2 | vite | screw | vis | | |
| 14 | 308190-0-00 | 2 | anello di tenuta | retainer ring | bague d'étanchéité | | |
| 15 | 721444-2-00 | 1 | vite fissa griffa | screw | vis | | |
| 16 | 778238-0-00 | 2 | stoppino | wick | mèche | | |
| 17 | 300209-0-10 | 2 | perno | pin | pivot | | |
| 18 | 741546-2-00 | 2 | vite fissa griffa | screw | vis | | |
| 19 | 300364-0-10 | 1 | squadretta | bracket | équerre | | |
| 20 | 742811-0-00 | 1 | vite | screw | vis | | |
| 21 | 308195-0-00 | 1 | perno | pin | pivot | | |
| 22 | 308289-2-00 | 1 | perno | pin | pivot | | |
| 23 | 305172-0-00 | 1 | vite | screw | vis | | |
| 24 | 305170-0-01 | 1 | salva ago | rear needle guard | protège-aiguille | | |
| 25 | 728232-0-00 | 1 | vite | screw | vis | | |
| 26 | 704846-0-00 | 1 | rondella | washer | rondelle | | |
| 27 | 745136-2-00 | 3 | vite | screw | vis | | |
| 28 | 308028-2-00 | 1 | eccentrico con viti | eccentric with screws | excentrique avec vis | | |
| 29 | 727215-0-00 | 7 | vite | screw | vis | | |
| 30 | 301459-4-10 | 2 | giunto completo | joint assembly | joint complet | | |
| 31 | 301458-0-10 | 2 | giunto | joint | joint | | |
| 32 | 301579-0-10 | 2 | gabbia a rullini | needles cage | cage à aiguilles | | |
| 33 | 201143-0-10 | 4 | anello di tenuta | retainer ring | bague d'étanchéité | | |
| 34 | 308287-0-00 | 1 | anello di tenuta | retainer ring | bague d'étanchéité | | |
| 35 | 704347-2-00 | 1 | rondella | washer | rondelle | | |
| 36 | 309839-2-01 | 1 | anello di registro | adjustment ring | anneau de réglage | | |
| 37 | 309838-2-01 | 1 | anello di registro | adjustment ring | anneau de réglage | | |
| 38 | 308029-2-00 | 1 | eccentrico | eccentric | excentrique | | |
| 39 | 729011-2-00 | 1 | vite | screw | vis | | |
| 40 | 303459-2-11 | 1 | braccio | bras | arm | | |
| 41 | 704218-2-00 | 1 | rondella | washer | rondelle | | |
| 42 | 308971-3-00 | 1 | tendifilo a camma con viti | cam thread take-up with screws | tendeur du fil à came avec vis | | |
| 43 | 300377-0-10 | 1 | vite | screw | vis | | |
| 44 | 308119-0-00 | 1 | anello di tenuta | retainer ring | bague d'étanchéité | | |
| 45 | 308967-2-00 | 1 | anello limitatore | limiter ring | bague | | |



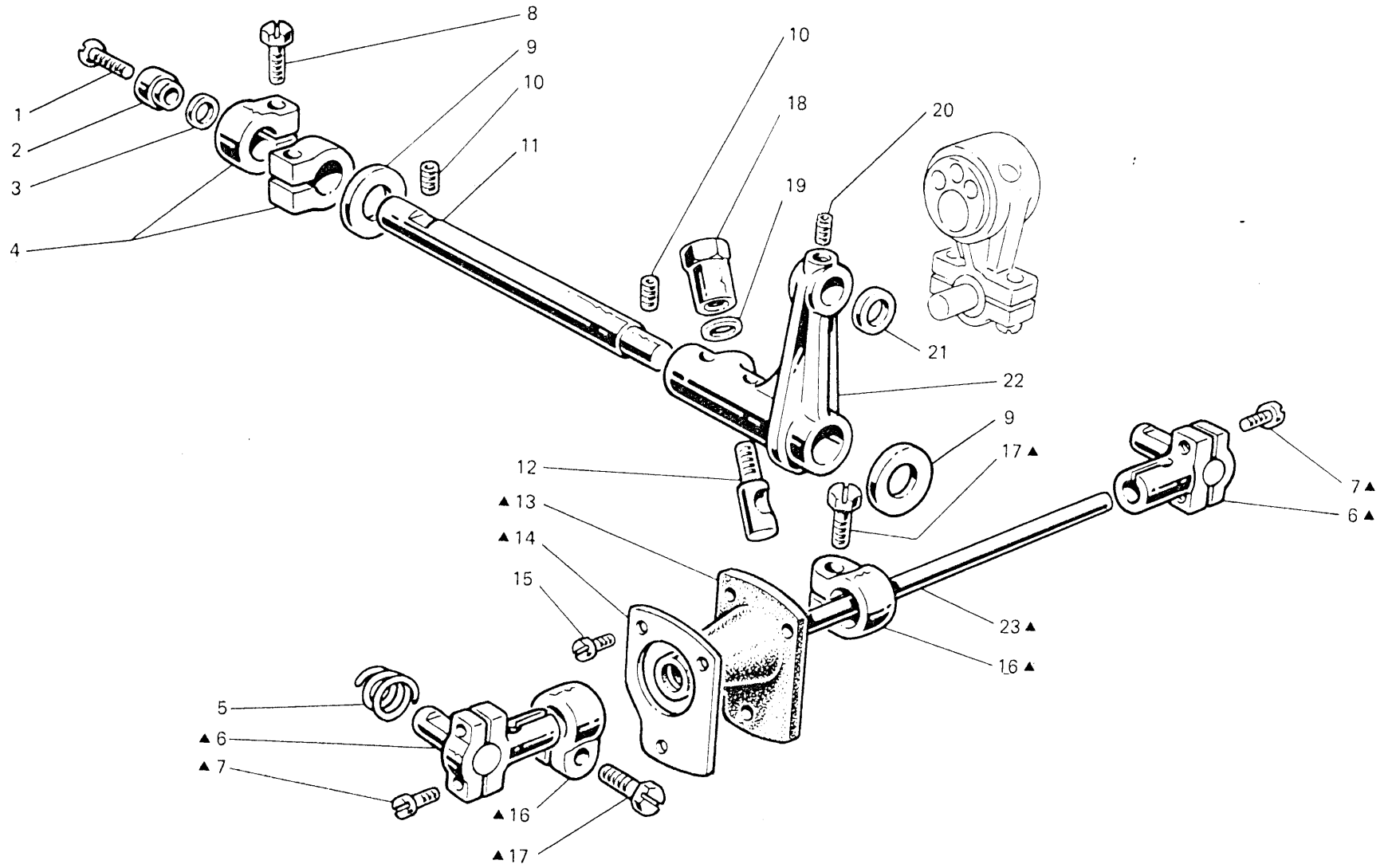
| Fig. N. Abb. N. | Part. N. Bestell N. Piece N. Pieza N. | Qt. Anzahl | DESCRIZIONE | DESCRIPTION | DESCRIPTION | BENENNUNG | DESCRIPCION |
|--------------------|------------------------------------------------|---------------|------------------------------|-----------------------------|--------------------------------|-----------|-------------|
| ◆ | 310353-4-00 | 1 | biella con eccentrico e viti | con-rod and screws | bielle avec excentrique et vis | | |
| ★ | 308013-4-01 | 1 | bussola destra completa | right bush assembly | bague droite complète | | |
| ■ | 308178-4-00 | 1 | gruppo biella principale | main con-rod assembly | groupe bielle principale | | |
| 1 | 308254-3-00 | 1 | biella con eccentrico e viti | con-rod with cam and screws | bielle avec excentrique et vis | | |
| 2 | 308310-0-00 | 1 | perno a sfera | ball joint | pivot à sphère | | |
| 3 | 308802-0-00 | 2 | vite per biella | screw for con-rod | vis pour bielle | | |
| 4 | 308855-0-00 | 1 | vite | screw | vis | | |
| 5 | 308174-3-00 | 1 | biella principale completa | main con-rod assembly | bielle principale complète | | |
| 6 | 741056-0-00 | 4 | vite | screw | vis | | |
| 7 | 302272-0-10 | 2 | settore | sector | secteur | | |
| 8 | 704869-0-00 | 1 | rondella | washer | rondelle | | |
| 9 | 745815-2-00 | 2 | vite | screw | vis | | |
| 10 | 308084-2-00 | 1 | anello di registro con viti | adjustment ring with screws | bague de réglage avec vis | | |
| 11 | 746408-2-00 | 1 | dado | nut | écrou | | |
| 12 | 705013-0-00 | 1 | rondella | washer | rondelle | | |
| 13 | 745812-2-00 | 2 | vite | screw | vis | | |
| 14 | 308159-2-01 | 1 | manovella | crank | manivelle | | |
| 15 | 308166-0-00 | 1 | perno | pin | pivot | | |
| 16 | 308161-0-00 | 2 | vite | screw | vis | | |
| 17 | 308149-0-01 | 2 | rondella | washer | rondelle | | |
| 18 | 308162-0-00 | 2 | dado | nut | écrou | | |
| 19 | 308127-0-00 | 1 | guarnizione | gasket | garniture | | |
| 20 | 308012-2-01 | 1 | bussola | bush | bague | | |
| 21 | 730054-2-00 | 1 | vite per volantino | screw for pulley | vis pour volant | | |
| 22 | 700596-0-00 | 1 | anello di tenuta | retainer ring | bague d'étanchéité | | |
| 23 | 742222-2-00 | 3 | vite | screw | vis | | |
| 24 | 308090-0-00 | 1 | volantino | handwheel | volant | | |
| 25 | 729044-2-00 | 1 | vite | screw | vis | | |



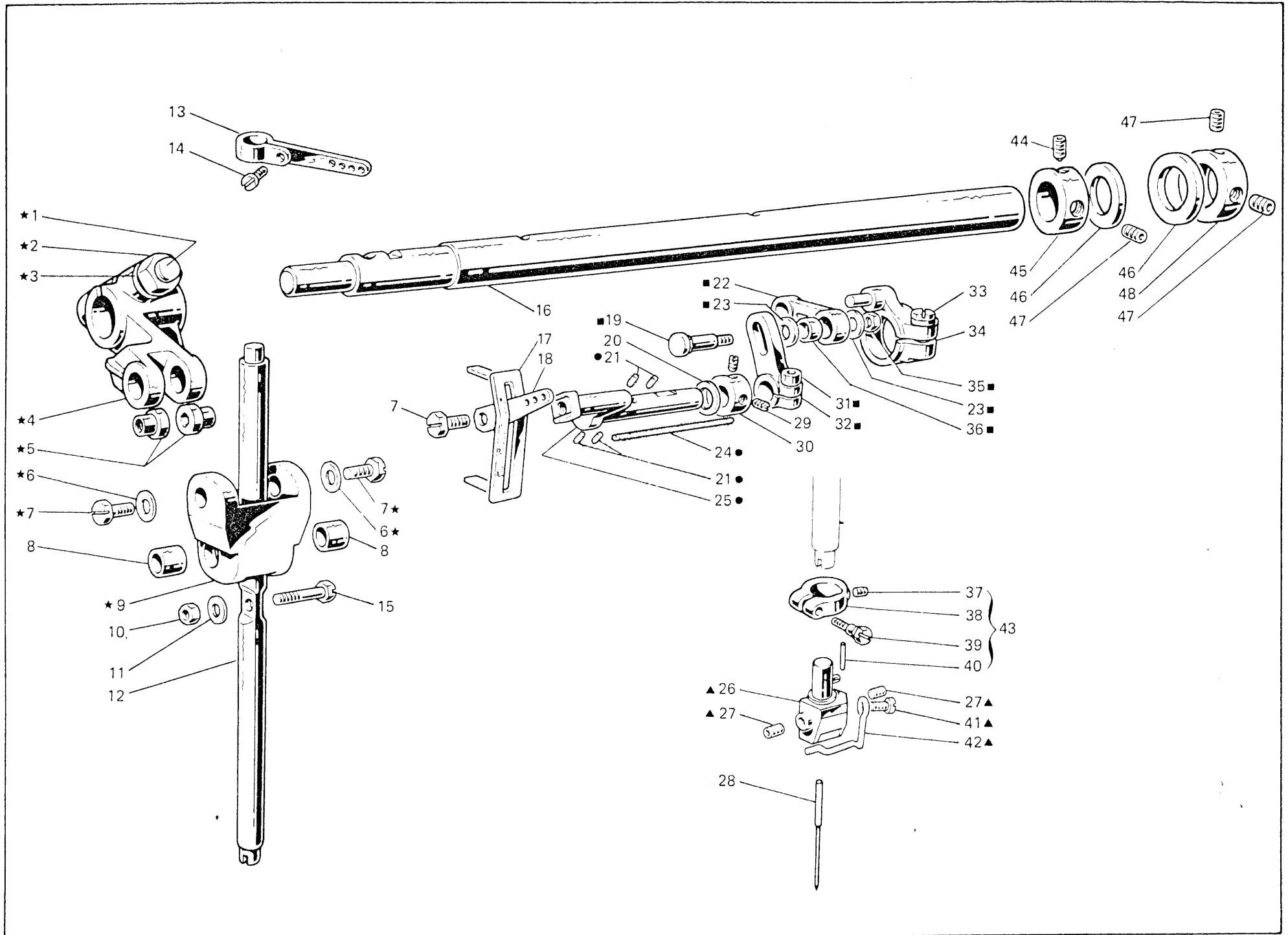
| Fig. N. Abb. N. | Part. N. Bestell N. Pieze N. Pieza N. | Qt. Anzahl | DESCRIZIONE | DESCRIPTION | DESCRIPTION | BENENNUNG | DESCRIPCION |
|--------------------|------------------------------------------------|---------------|--------------------------------------------|----------------------------------------|-------------------------------------------|-----------|-------------|
| ★ | 309711-4-01 | 1 | gruppo albero inf. compl. (con fig. ●) | lower shaft assembly (with fig. ●) | arbre inférieur complet (avec fig. ●) | | |
| ● | 308362-4-01 | 1 | semialbero inf. sinistro compl. | left lower shaft assembly | semi-arbre inf. gauche compl. | | |
| 1 | 704814-0-00 | 1 | rondella | washer | rondelle | | |
| 2 | 746612-2-00 | 1 | dado | nut | écrou | | |
| 3 | 308774-2-00 | 1 | piastra a disco | disc plate | plaque | | |
| 4 | 303458-0-12 | 1 | bussola | bush | bague | | |
| 5 | 724441-0-00 | 4 | vite | screw | vis | | |
| 6 | 308281-0-00 | 1 | vite di registro | screw | vis | | |
| 7 | 308385-2-01 | 1 | semialbero | half-shaft | semi-arbre | | |
| 8 | 308278-0-01 | 1 | perno | pin | pivot | | |
| 9 | 308780-2-00 | 1 | vite di registro | screw | vis | | |
| 10 | 308714-3-01 | 1 | semialbero inf. destro | right lower half-shaft | semi-arbre inf.droite | | |
| 11 | 745827-2-00 | 4 | vite per manicotto | screw for coupling | vis pour manchon | | |
| 12 | 308015-0-00 | 1 | manicotto | coupling | manchon | | |



| Fig. N. Abb. N. | Part. N. Bestell N. Piece N. Pieza N. | Qt. Anzahl | DESCRIZIONE | DESCRIPTION | DESCRIPTION | BENENNUNG | DESCRIPCION |
|--------------------|------------------------------------------------|---------------|--------------------------------------------|------------------------------------------------|--------------------------------------------------|-----------|-------------|
| ▲ | 308261-4-00 | 1 | gruppo porta crochet inf. (con fig. ★) | lower looper holder assembly (with fig. ★) | groupe porte-crochet inférieur (avec fig. ★) | | |
| ★ | 312810-3-00 | 1 | gruppo porta corchet | looper holder assembly | groupe porte crochet | | |
| 1 | 308292-4-00 | 1 | contralb.crochet inf.compl. | lower looper countershaft ass. | axe crochet inf. complet | | |
| 2 | 705734-0-00 | 1 | guarnizione | gasket | garniture | | |
| 3 | 742214-2-00 | 1 | vite | screw | vis | | |
| 4 | 704846-0-00 | 2 | rondella | washer | rondelle | | |
| 5 | 730033-2-00 | 1 | vite | screw | vis | | |
| 6 | 202474-0-10 | 1 | dado | nut | écrou | | |
| 7 | 740226-0-00 | 1 | vite per supporto | screw for support | vis pour support | | |
| 8 | 704226-2-00 | 1 | rondella | washer | rondelle | | |
| 9 | 308140-0-00 | 1 | supporto del porta crochet | support for looper holder | support du porte crochet | | |
| 10 | 303539-0-00 | 2 | reggispinta | thrust bearing | butée | | |
| 11 | 302276-0-10 | 40 | rullino | roller | rouleau | | |
| 12 | 778827-0-00 | 2 | stoppino | wick | mèche | | |
| 13 | 703810-0-00 | 1 | distanziale | spacer | entretoise | | |
| 14 | 302052-2-21 | 1 | ghiera con viti | ring with screw | collier avec vis | | |
| 15 | 303538-0-00 | 1 | cappello di protezione | protection cap | capuchon de protection | | |
| 16 | 702403-0-00 | 1 | molla a tazza | cup spring | ressort à tasse | | |
| 17 | 742423-0-00 | 1 | vite | screw | vis | | |
| 18 | 300469-2-11 | 1 | fascetta | clamp | bride | | |
| 19 | 300482-0-10 | 1 | vite | screw | vis | | |
| 20 | 745815-2-00 | 3 | vite | screw | vis | | |
| 21 | 303503-0-10 | 1 | vite fissa crochet | looper fixing screw | vis blocage crochet | | |
| 22 | 308272-0-00 | 1 | piastrina | sheet | plaquette | | |
| 23 | 308273-0-00 | 1 | rivetto | rivet | rivet | | |

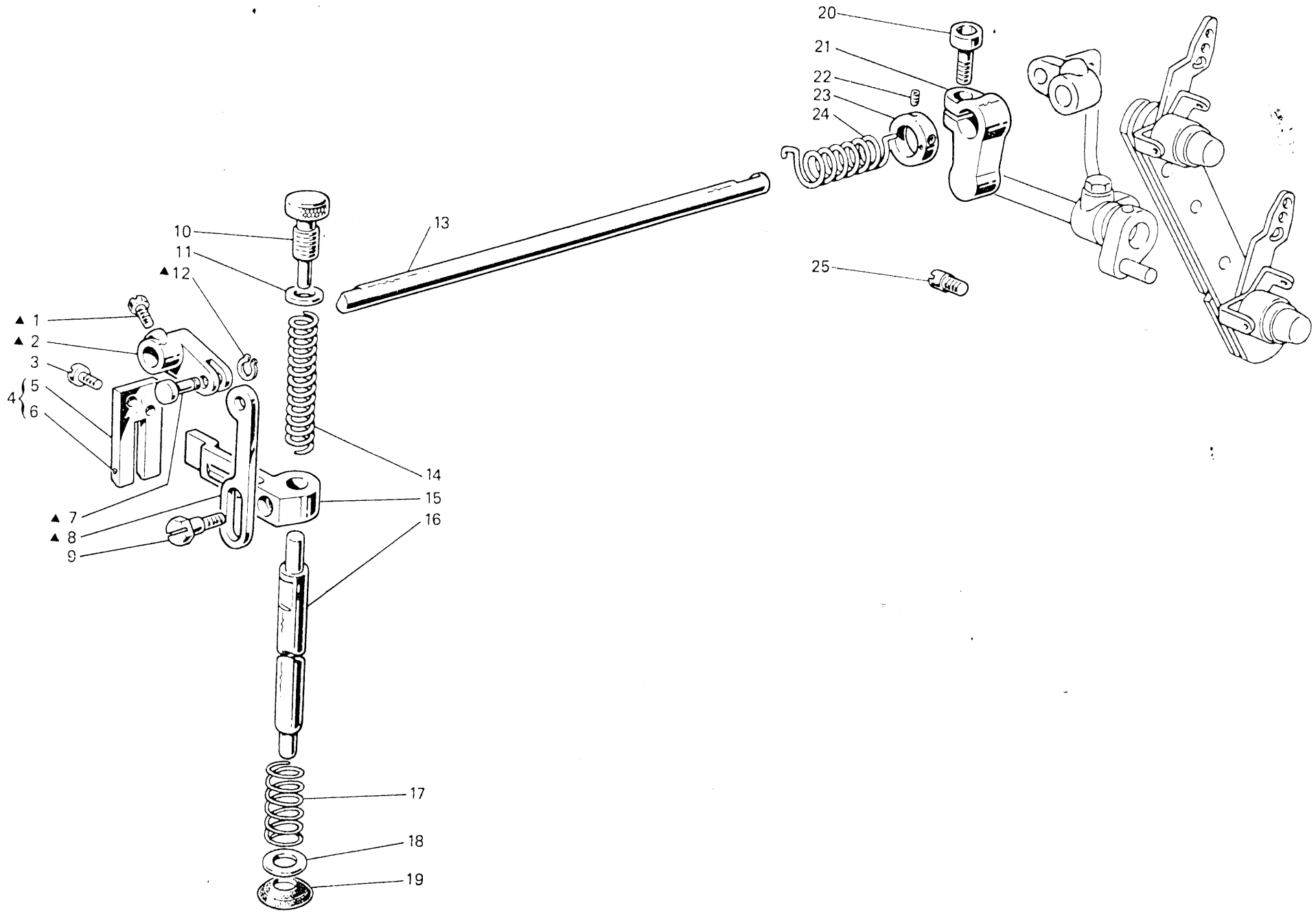


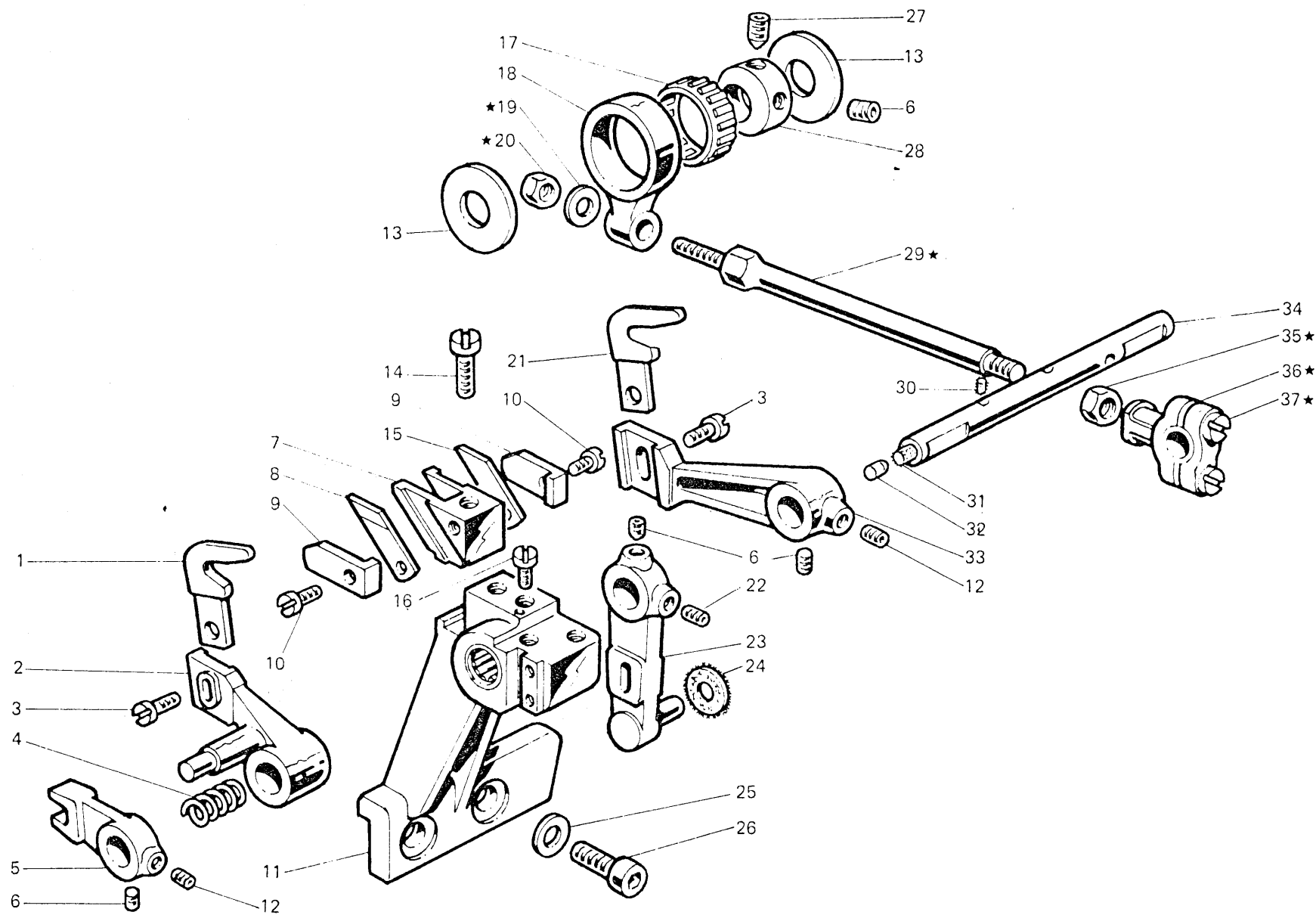
| Fig. N. Abb. N. | Part. N. Bestell N. Piece N. Pieza N. | Qt. Anzahl | DESCRIZIONE | DESCRIPTION | DESCRIPTION | BENENNUNG | DESCRIPCION |
|--------------------|------------------------------------------------|---------------|------------------------------|-------------------------------|--------------------------------|-----------|-------------|
| ▲ | 308332-4-00 | 1 | gruppo comando crochet inf. | lower looper control assembly | groupe comm. crochet inférieur | | |
| 1 | 744676-2-00 | 1 | vite | screw | vis | | |
| 2 | 308047-0-00 | 1 | scodellino | cup | cuvette | | |
| 3 | 701009-0-00 | 1 | anello di tenuta | retainer ring | bague d'étanchéité | | |
| 4 | 308046-2-01 | 2 | fascetta | clamp | bride | | |
| 5 | 302289-0-10 | 1 | molla | spring | ressort | | |
| 6 | 308325-3-00 | 2 | testa di biella con viti | con-rod big end with screws | tête de bielle avec vis | | |
| 7 | 744040-2-00 | 4 | vite | screw | vis | | |
| 8 | 300482-0-10 | 2 | vite | screw | vis | | |
| 9 | 704849-0-00 | 2 | rondella | washer | rondelle | | |
| 10 | 729434-2-00 | 2 | vite fissa perno | screw | vis | | |
| 11 | 308044-0-00 | 1 | perno per supporto | pin | pivot | | |
| 12 | 300352-0-10 | 1 | spina filettata | pin | goupille | | |
| 13 | 308330-3-00 | 1 | manicotto para olio | oil protection | manchon para huile | | |
| 14 | 308327-0-00 | 1 | mascherina per manicotto | flange | flasque | | |
| 15 | 741675-2-00 | 2 | vite | screw | vis | | |
| 16 | 308326-2-01 | 2 | fascetta per biella con vite | clamp with screw | bride avec vis | | |
| 17 | 305194-0-00 | 2 | vite | screw | vis | | |
| 18 | 300351-0-11 | 1 | dado | nut | écrou | | |
| 19 | 704309-4-00 | 1 | rondella | washer | rondelle | | |
| 20 | 745815-2-00 | 1 | vite | screw | vis | | |
| 21 | 705834-0-00 | 1 | rondella in fibra | washer | rondelle | | |
| 22 | 308045-0-01 | 1 | supporto oscillante | support | support coulissant | | |
| 23 | 308333-0-01 | 1 | tirante per biella | tie-rod | tirant pour bielle | | |



| Fig. N. Abb. N. | Part. N. Bestell N. Piece N. Pieza N. | Qt. Anzahl | DESCRIZIONE | DESCRIPTION | DESCRIPTION | BENENNUNG | DESCRIPCION |
|--------------------|------------------------------------------------|---------------|-------------------------------|-----------------------------|-----------------------------------|-----------|-------------|
| ★ | 308006-4-00 | 1 | gruppo manov.giunto barra ago | crank and joint assembly | groupe maniv.joint barre-aiguille | | |
| ▲ | 309806-4-01 | 1 | morsetto porta aghi completo | needles calmp assembly | porte-aiguille complet | | |
| ■ | 308244-4-00 | 1 | gruppo sett.tendit.articolato | sector assembly | groupe secteur | | |
| 1 | 308855-0-00 | 1 | perno a vite | threaded pin | pivot à vis | | |
| 2 | 746408-2-00 | 1 | dado | nut | écrou | | |
| 3 | 705013-0-00 | 1 | rondella | washer | rondelle | | |
| 4 | 308036-2-00 | 1 | manovella completa | crank assembly | groupe manivelle | | |
| 5 | 308037-0-00 | 2 | perno superiore | upper pin | pivot supérieur | | |
| 6 | 704210-4-00 | 2 | rondella | washer | rondelle | | |
| 7 | 308039-0-01 | 3 | vite | screw | vis | | |
| 8 | 308041-0-00 | 2 | bussola inferiore | lower bush | bague inférieure | | |
| 9 | 308038-0-10 | 1 | giunto barra ago | needle bar joint | joint barre-aiguille | | |
| 10 | 302338-0-10 | 1 | dado | nut | écrou | | |
| 11 | 703005-0-00 | 1 | rondella | washer | rondelle | | |
| 12 | 308220-0-00 | 1 | barra ago | needle bar | barre-aiguille | | |
| 13 | 308452-2-00 | 1 | tendifilo superiore | upper thread take-up | tendeur supérieur | | |
| 14 | 742311-2-00 | 1 | vite | screw | vis | | |
| 15 | 308042-0-00 | 1 | perno per barra ago | pin for needle bar | pivot pour barre-aiguille | | |
| 16 | 308851-2-01 | 1 | albero superiore | upper shaft | arbre supérieur | | |
| 17 | 308005-0-00 | 1 | targhetta | plate | plaque | | |
| 18 | 308239-0-00 | 1 | tendifilo inferiore | lower thread guide | tendeur du fil inférieur | | |
| 19 | 308235-0-00 | 1 | perno | pin | pivot | | |
| 20 | 704828-0-00 | 1 | rondella | washer | rondelle | | |
| 21 | 778203-0-00 | 4 | stoppino | wick | mèche | | |
| 22 | 206583-0-00 | 1 | biellino | con-rod | petite bielle | | |
| 23 | 705208-0-00 | 2 | rondella | washer | rondelle | | |
| 24 | 778407-0-00 | 1 | stoppino | wick | mèche | | |
| 25 | 308238-4-00 | 1 | braccio con stoppini | arm with wicks | arbre avec mèches | | |
| 26 | 309756-2-01 | 1 | morsetto porta aghi | needles clamp | porte-aiguilles | | |
| 27 | 745810-2-00 | 2 | vite | screw | vis | | |
| 28 | 766000-6-80 | 2 | ago sist.Rim 63 fin.80 | needle syst.Rim 63 size 80 | aiguille syst.Rim 63 jauge 80 | | |
| 29 | 745812-2-00 | 2 | vite | screw | vis | | |
| 30 | 303899-0-10 | 1 | anello | ring | anneau | | |
| 31 | 722422-2-00 | 1 | vite | screw | vis | | |
| 32 | 308234-2-00 | 1 | settore con vite | sector with screw | secteur avec vis | | |
| 33 | 744334-2-00 | 1 | vite | screw | vis | | |
| 34 | 308236-2-01 | 1 | braccio con vite | arm with screw | bras avec vis | | |
| 35 | 746008-0-00 | 1 | dado | nut | écrou | | |
| 36 | 202032-0-11 | 1 | bussolina | bush | bague | | |
| 37 | 745001-0-00 | 1 | vite | screw | vis | | |
| 38 | 301591-0-10 | 1 | fascetta per barra ago | clamp for needle bar | bride pour barre-aiguille | | |
| 39 | 302352-0-10 | 1 | vite | screw | vis | | |
| 40 | 302292-0-10 | 1 | spinetta | pin | goupille | | |
| 41 | 741611-2-00 | 1 | vite | screw | vis | | |
| 42 | 309770-0-00 | 1 | passafilo | thread guide | passe-fil | | |
| 43 | 302590-4-10 | 1 | fascetta completa | clamp assembly | bride complète | | |
| 44 | 730033-2-00 | 1 | vite | screw | vis | | |
| 45 | 309831-2-00 | 1 | anello di registro con viti | adjustment ring with screws | bague de réglage avec vis | | |
| 46 | 704869-0-00 | 2 | rondella | washer | rondelle | | |
| 47 | 729013-2-00 | 3 | vite | screw | vis | | |
| 48 | 309830-2-00 | 1 | anello di registro con viti | adjustment ring with screws | bague de réglage avec vis | | |

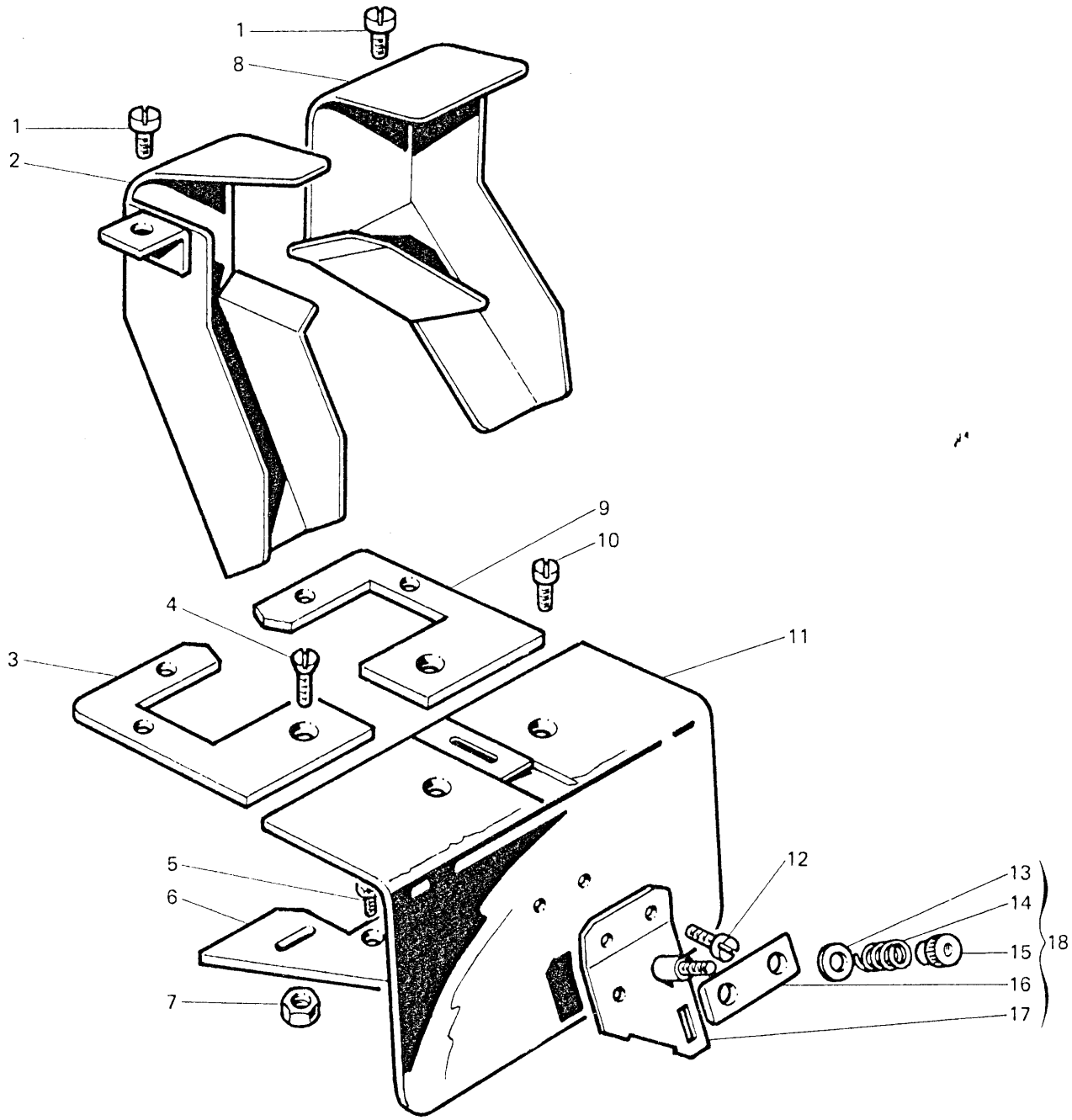
| Fig. N. Abb. N. | Part. N. Piece N. Bestell N. Pieza N. | Qt. Anzahl | DESCRIZIONE | DESCRIPTION | DESCRIPTION | BENENNUNG | DESCRIPCION |
|--------------------|------------------------------------------------|---------------|-------------------------------|------------------------|-------------------------------|-----------|-------------|
| ▲ | 308060-4-00 | 1 | gruppo manov.tirante premist. | presser crank assembly | groupe maniv. tirant presseur | | |
| 1 | 740632-2-00 | 1 | vite | screw | vis | | |
| 2 | 308059-0-00 | 1 | manovella | crank | manivelle | | |
| 3 | 721494-2-00 | 2 | vite fissa piastra | plate screw | vis blocage plaque | | |
| 4 | 308052-4-00 | 1 | piastra guida barra compl. | plate assembly | plaque complète | | |
| 5 | 308056-0-01 | 1 | piastra guida barra | plate | plaque | | |
| 6 | 707240-0-00 | 1 | spina elastica | split pin | goupille réglable | | |
| 7 | 308058-0-00 | 1 | spina | pin | goupille | | |
| 8 | 308057-0-00 | 1 | tirante per alza piedino | presserfoot tie-rod | tirant soulev. pied-presseur | | |
| 9 | 740444-2-00 | 1 | vite fissa slitta | screw | vis | | |
| 10 | 302060-0-11 | 1 | pomolo di regolazione | adjustment knob | pommeau de réglage | | |
| 11 | 302344-0-10 | 1 | rondella | washer | rondelle | | |
| 12 | 700205-0-00 | 1 | anello elastico | spring ring | anneau ressort | | |
| 13 | 302234-0-10 | 1 | albero | shaft | arbre | | |
| 14 | 302059-0-10 | 1 | molla premi piedino | spring | ressort | | |
| 15 | 308055-2-00 | 1 | guida a forcella | fork guide | guide a fourchette | | |
| 16 | 308061-0-01 | 1 | barra porta piedino | presserfoot bar | barre porte pied-presseur | | |
| 17 | 308148-0-00 | 1 | molla | spring | ressort | | |
| 18 | 704236-2-00 | 1 | rondella | washer | rondelle | | |
| 19 | 308054-0-01 | 1 | paraolio | oil retainer | pare-huile | | |
| 20 | 744332-2-00 | 1 | vite | screw | vis | | |
| 21 | 308412-2-02 | 1 | fascetta di fermo con vite | clamp with screw | bride de fixation avec vis | | |
| 22 | 745827-2-00 | 2 | vite | screw | vis | | |
| 23 | 304767-2-10 | 1 | anello per molla | ring | bague | | |
| 24 | 308098-0-00 | 1 | molla di torsione | spring | ressort de torsion | | |
| 25 | 308007-0-00 | 1 | perno filettato | threaded pin | pivot fileté | | |



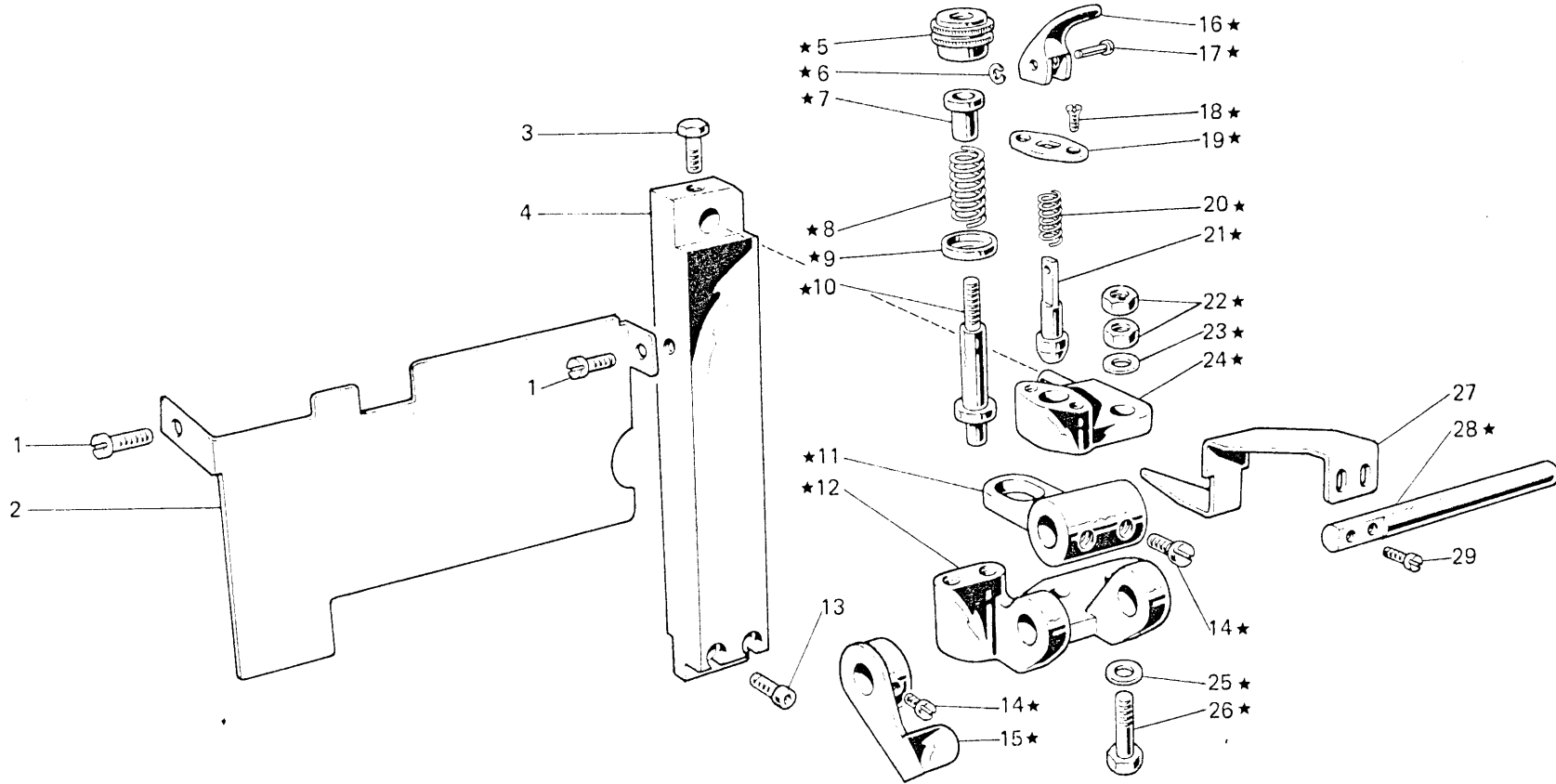


| Fig. N. Abb. N. | Part. N. Bestell N. Piece N. Pieza N. | Qt. Anzahl | DESCRIZIONE | DESCRIPTION | DESCRIPTION | BENENNUNG | DESCRIPCION |
|--------------------|------------------------------------------------|---------------|---------------------------------------------------------------|-----------------------------------------------------|------------------------------------------------------------|-----------|-------------|
| ★ | 306245-4-00 | 1 | gruppo biella | con-rod assembly | groupe bielle | | |
| 1 | 306286-2-00 | 1 | coltello superiore sinistro | left upper knife | couteau superieur gauche | | |
| 2 | 306220-0-10 | 1 | braccio sinistro | left arm | bras gauche | | |
| 3 | 721443-2-00 | 2 | vite fissa coltello | screw | vis | | |
| 4 | 302803-0-10 | 1 | molla | spring | ressort | | |
| 5 | 306221-2-10 | 1 | giunto con vite | joint with screw | joint avec vis | | |
| 6 | 729013-2-00 | 4 | vite | screw | vis | | |
| 7 | 306300-0-00 | 1 | blocchetto (per passante 8 mm) | block (for belt loop 8 mm) | bloc (pour passant 8 mm) | | |
| 8 | 306284-2-00 | 1 | coltello inf.sin. in lega dura | left lower knife(hard alloy) | couteau inf.gauche(alliage dur) | | |
| 9 | 306242-0-01 | 2 | staffa fissa coltelli | bracket | bride | | |
| 10 | 741956-2-00 | 2 | vite | screw | vis | | |
| 11 | 306236-2-10 | 1 | supporto | support | support | | |
| 12 | 729434-2-00 | 2 | vite | screw | vis | | |
| 13 | 703825-0-00 | 2 | rondella | washer | rondelle | | |
| 14 | 722441-2-00 | 1 | vite fissa blocchetto | screw | vis | | |
| 15 | 306283-2-00 | 1 | coltello inf.destro (lega dura) | right lower knife(hard alloy) | couteau inf. droite (alliage dur) | | |
| 16 | 741936-2-00 | 2 | vite fissa placca suppl. | screw | vis | | |
| 17 | 302857-0-10 | 1 | gabbia a rullini | needles cage | cage à aiguilles | | |
| 18 | 302812-0-10 | 1 | giunto | joint | joint | | |
| 19 | 703208-0-00 | 1 | rondella elastica | spring washer | rondelle élastique | | |
| 20 | 746204-2-00 | 1 | dado | nut | écrou | | |
| 21 | 306285-2-00 | 1 | coltello superiore destro | upper right knife | couteau supérieur droite | | |
| 22 | 730034-2-00 | 1 | vite | screw | vis | | |
| 23 | 306226-2-10 | 1 | leva comando coltelli | knife lever control | levier commande couteaux | | |
| 24 | 206754-0-00 | 1 | rondella feltro | washer | rondelle | | |
| 25 | 704232-2-00 | 2 | rondella | washer | rondelle | | |
| 26 | 722484-2-00 | 2 | vite | screw | vis | | |
| 27 | 730023-2-00 | 1 | vite | screw | vis | | |
| 28 | 308762-2-00 | 1 | eccentrico con viti | eccentric with screws | excentrique avec vis | | |
| 29 | 306244-0-00 | 1 | tirante | tie rod | tirant | | |
| 30 | 778204-0-00 | 4 | stoppino | wick | mèche | | |
| 31 | 778404-0-00 | 1 | stoppino | wick | mèche | | |
| 32 | 202468-0-10 | 1 | tappo | plug | bouchon | | |
| 33 | 306222-2-10 | 1 | braccio destro | right arm | bras droite | | |
| 34 | 306239-2-00 | 1 | perno oscillante compl. | pin assembly | pivot complet | | |
| 35 | 302708-0-01 | 1 | dado | nut | écrou | | |
| 36 | 302844-3-10 | 1 | testa di biella con viti | con-rod big end with screws | tête de bielle avec vis | | |
| 37 | 743243-2-00 | 2 | vite | screw | vis | | |
| | | | SOLO A RICHIESTA | ONLY ON REQUEST | SEULEMENT SUR DEMANDE | | |
| 1 | 306223-0-10 | 1 | coltello superiore sinistro | left upper knife | couteau supérieur gauche | | |
| 7 | 306241-0-00 | 1 | blocchetto (per passante 10 mm.) | block (for belt loop 10 mm.) | bloc (pour passant 10 mm.) | | |
| | 306312-0-00 | 1 | blocchetto (per passante 12 mm.) | block (for belt loop 12 mm.) | bloc (pour passant 12 mm.) | | |
| | 306320-0-00 | 1 | blocchetto (per passante 15 mm.) | block (for belt loop 15 mm.) | bloc (pour passant 15 mm.) | | |
| | 306340-0-00 | 1 | blocchetto (per passante 18 mm.) | block (for belt loop 18 mm.) | bloc (pour passant 18 mm.) | | |
| 8 | 306301-0-00 | 1 | coltello inferiore sinistro (per passante 8 mm.) | left lower knife (for belt loop 8 mm.) | couteau inférieur gauche (pour passant 8 mm.) | | |
| | 306234-0-00 | 1 | coltello inferiore sinistro (per passante 10-12-15-18 mm.) | left lower knife (for belt loop 10-12-15-18 mm.) | couteau inférieur gauche (pour passant 10-12-15-18 mm.) | | |

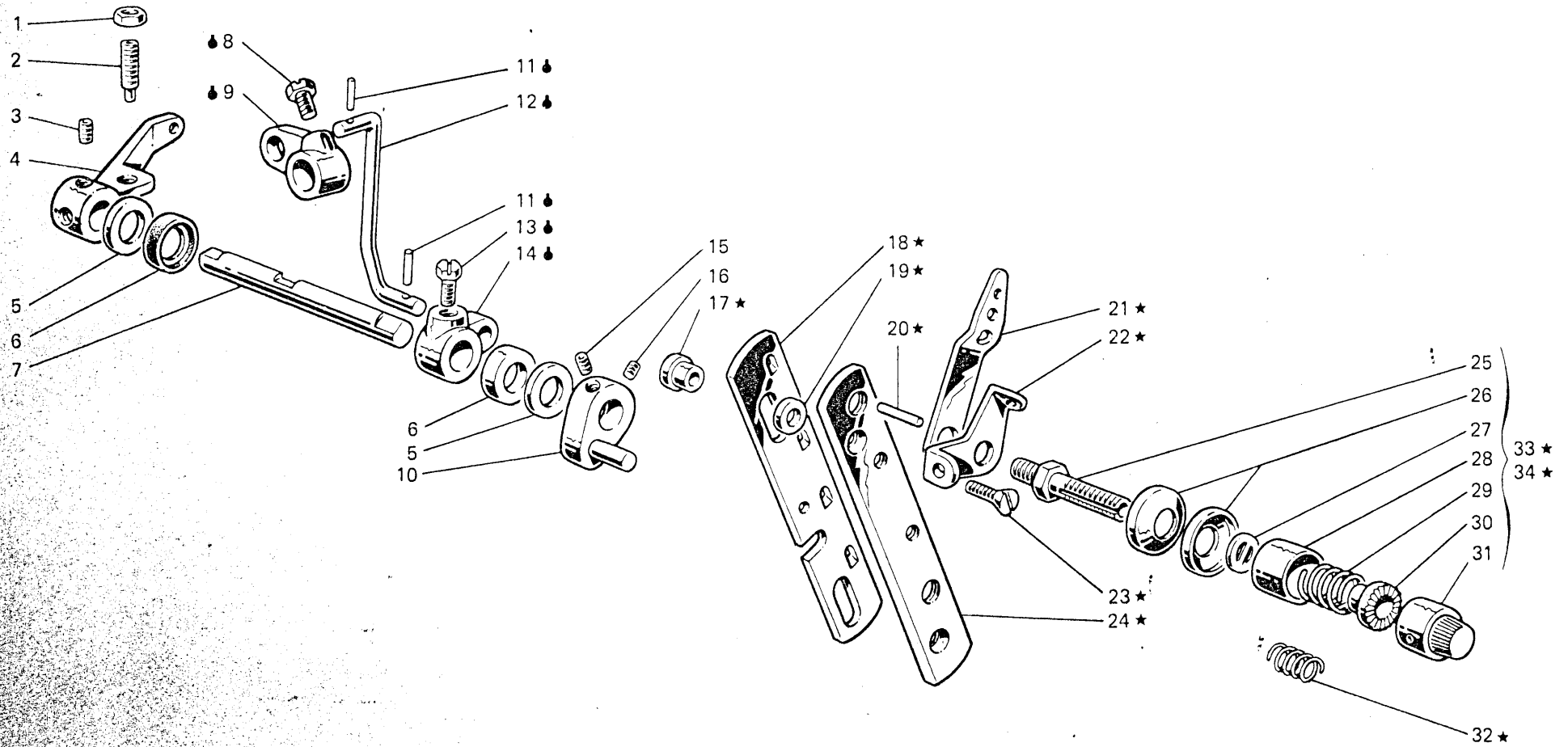
| Fig. N. Abb. N. | Part. N. Bestell N. Piec N. Pieza N. | Qt. Anzahl | DESCRIZIONE | DESCRIPTION | DESCRIPTION | BENENNUNG | DESCRIPCION |
|--------------------|-----------------------------------------------|---------------|-------------------------------------------------------------|-------------------------------------------------------|------------------------------------------------------------|-----------|-------------|
| 15 | 306302-0-00 | 1 | coltello inferiore destro (per passante 8 mm.) | right lower knife (for belt loop 8 mm.) | couteau inférieur droite (pour passant 8 mm.) | | |
| | 306235-0-00 | 1 | coltello inferiore destro (per passante 10-12-15-18 mm.) | right lower knife (for belt loop 10-12-15-18- mm.) | couteau inférieur droite (pour passant 10-12-15-18 mm.) | | |
| 21 | 306224-0-10 | 1 | coltello superiore destro | right upper knife | couteau supérieur droite | | |



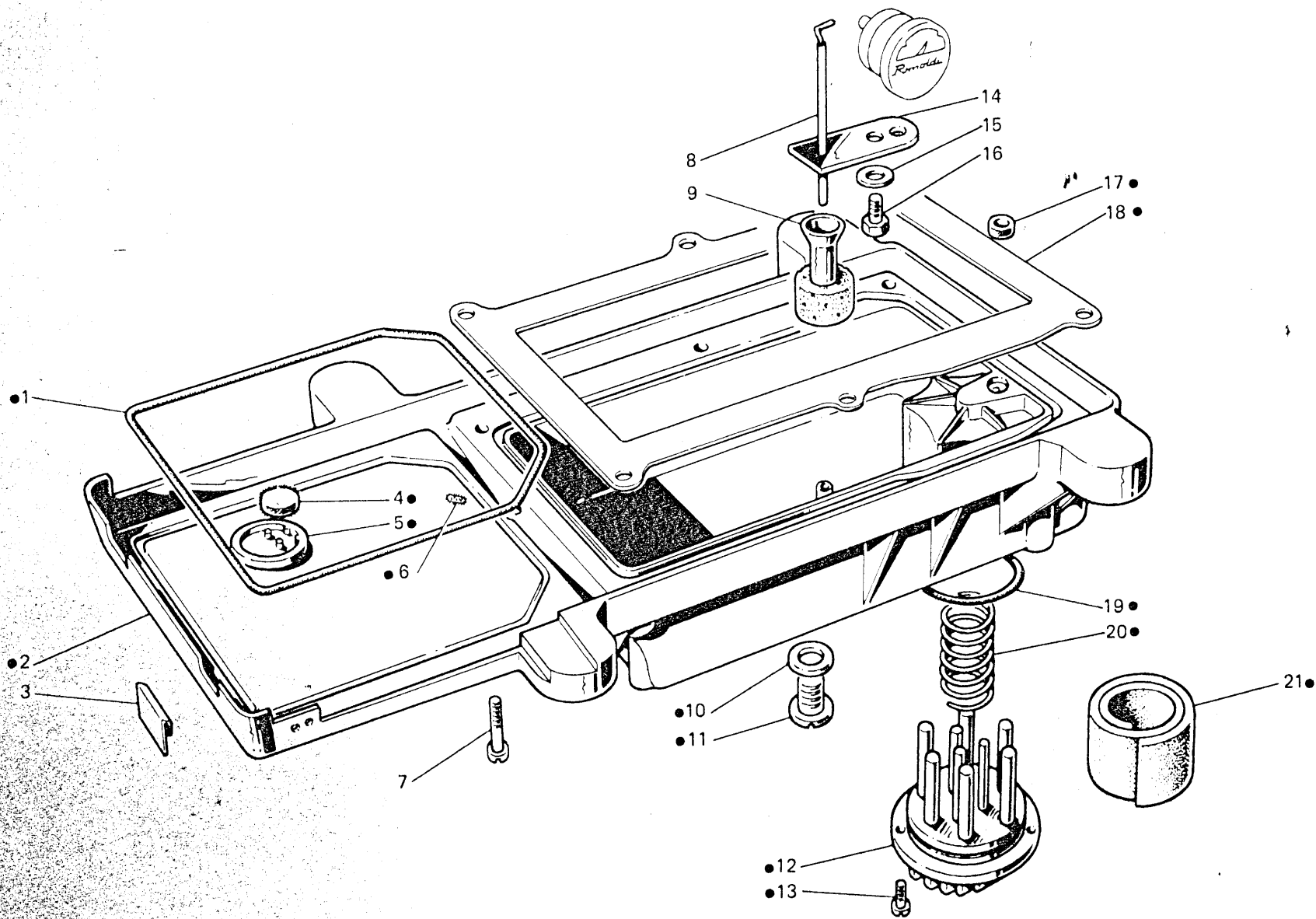
| Fig. N. Abb. N. | Part. N. Bestell N. Piece N. Pieza N. | Qt. Anzahl | DESCRIZIONE | DESCRIPTION | DESCRIPTION | BENENNUNG | DESCRIPCION |
|--------------------|------------------------------------------------|---------------|------------------------|----------------|--------------------|-----------|-------------|
| 1 | 203589-0-10 | 4 | vite | screw | vis | | |
| 2 | 306332-2-00 | 1 | carter scarica ritagli | cover | carter | | |
| 3 | 306295-0-00 | 1 | piano di copertura | cover plate | plan de couverture | | |
| 4 | 744654-2-00 | 2 | vite | screw | vis | | |
| 5 | 742027-0-00 | 2 | vite | screw | vis | | |
| 6 | 306298-0-00 | 1 | piastra | plate | plaque | | |
| 7 | 733505-0-00 | 2 | dado | nut | écrou | | |
| 8 | 306330-2-00 | 1 | carter scarica ritagli | cover | carter | | |
| 9 | 306296-0-00 | 1 | piano di copertura | cover plate | plan de couverture | | |
| 10 | 744636-2-00 | 2 | vite | screw | vis | | |
| 11 | 306256-2-00 | 1 | carter anteriore | rear cover | carter arrière | | |
| 12 | 741634-2-00 | 2 | vite | screw | vis | | |
| 13 | 704218-2-00 | 2 | rondella | washer | rondelle | | |
| 14 | 930066-0-10 | 2 | molla | spring | ressort | | |
| 15 | 300387-0-10 | 2 | pomolo | knob | pommeau | | |
| 16 | 930151-0-10 | 1 | piastrina | plate | plaque | | |
| 17 | 306258-0-00 | 1 | guida | guide | guide | | |
| 18 | 306259-3-00 | 1 | guida completa | guide assembly | guide complet | | |



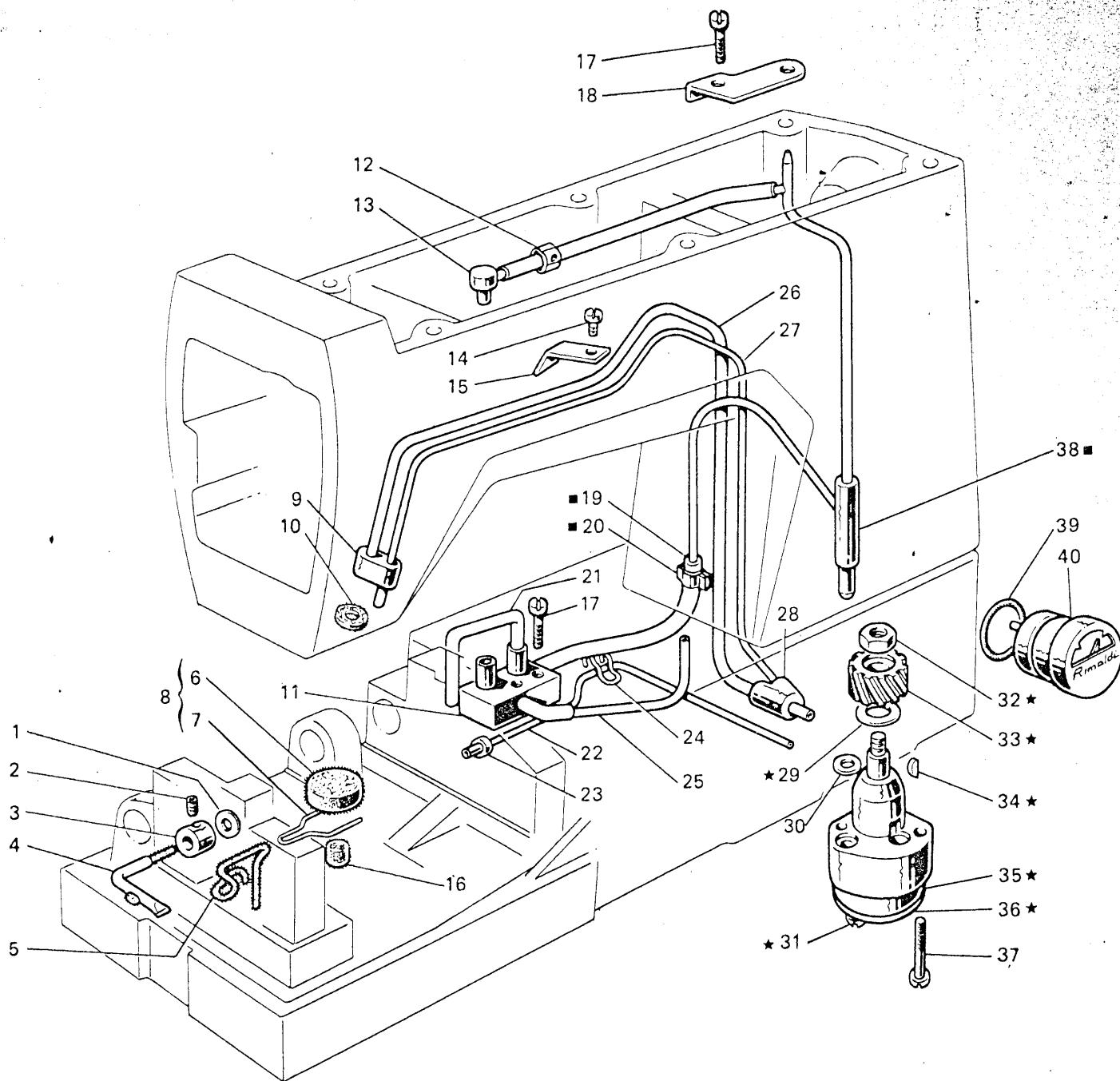
| Fig. N. Abb. N. | Part. N. Bestell N. Piece N. Pieza N. | Qt. Anzahl | DESCRIZIONE | DESCRIPTION | DESCRIPTION | BENENNUNG | DESCRIPCION |
|--------------------|------------------------------------------------|---------------|--------------------------------|------------------------------|------------------------------|-----------|-------------|
| ★ | 306266-4-00 | 1 | dispositivo premistoffa compl. | device presser assembly | dispositif presseur compl. | | |
| 1 | 741936-2-00 | 2 | vite | screw | vis | | |
| 2 | 306336-0-00 | 1 | carter | cover | carter | | |
| 3 | 740236-0-00 | 1 | vite | screw | vis | | |
| 4 | 306335-0-00 | 1 | supporto | support | support | | |
| 5 | 200699-0-10 | 1 | pomolo | knob | pommeau | | |
| 6 | 700205-0-00 | 1 | anello elastico | spring ring | anneau ressort | | |
| 7 | 200074-0-10 | 1 | bussolina | bush | bague | | |
| 8 | 204937-0-10 | 1 | molla | spring | ressort | | |
| 9 | 200821-0-10 | 1 | scodellino | cup | cuvette | | |
| 10 | 200698-0-10 | 1 | perno | pin | pivot | | |
| 11 | 204926-0-10 | 1 | leva | lever | levier | | |
| 12 | 306212-0-10 | 1 | corpo | body | corps | | |
| 13 | 722431-2-00 | 2 | vite | screw | vis | | |
| 14 | 721434-2-00 | 4 | vite | screw | vis | | |
| 15 | 306214-2-10 | 1 | leva | lever | levier | | |
| 16 | 202120-0-10 | 1 | leva | lever | levier | | |
| 17 | 202100-0-10 | 1 | spina | pin | goupille | | |
| 18 | 744533-0-00 | 2 | vite | screw | vis | | |
| 19 | 204935-0-10 | 1 | piastrina | plate | plaque | | |
| 20 | 204938-0-10 | 1 | molla | spring | ressort | | |
| 21 | 204936-0-10 | 1 | puntale | cap | creux | | |
| 22 | 746021-2-00 | 2 | dado | nut | écrou | | |
| 23 | 704216-2-00 | 1 | rondella | washer | rondelle | | |
| 24 | 204927-0-10 | 1 | sostegno | support | support | | |
| 25 | 704424-2-00 | 1 | rondella | washer | rondelle | | |
| 26 | 204934-0-10 | 1 | vite | screw | vis | | |
| 27 | 306309-0-00 | 1 | lamina (per passante 8 mm.) | sheet (for belt loop 8 mm.) | lamine (pour passant 8 mm.) | | |
| 28 | 204918-0-10 | 1 | perno | pin | pivot | | |
| 29 | 741655-0-00 | 2 | vite | screw | vis | | |
| | | | SOLO A RICHIESTA | ONLY ON REQUEST | SEULEMENT SUR DEMANDE | | |
| 27 | 306265-0-00 | 1 | lamina (per passanti 10 mm.) | sheet (for belt loop 10 mm.) | lamine (pour passant 10 mm.) | | |
| | 306315-0-00 | 1 | lamina (per passanti 12 mm.) | sheet (for belt loop 12 mm.) | lamine (pour passant 12 mm.) | | |
| | 306325-0-00 | 1 | lamina (per passanti 15 mm.) | sheet (for belt loop 15 mm.) | lamine (pour passant 15 mm.) | | |
| | 306343-0-00 | 1 | lamina (per passanti 18 mm.) | sheet (for belt loop 18 mm.) | lamine (pour passant 18 mm.) | | |



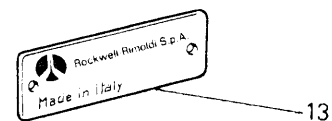
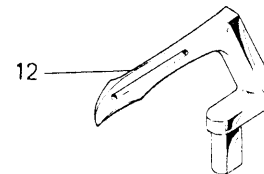
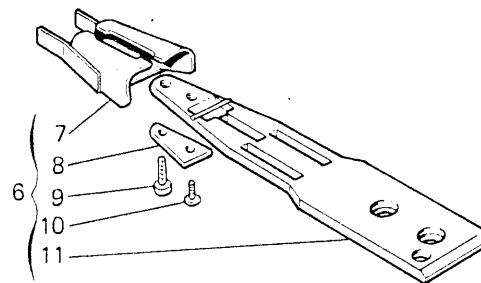
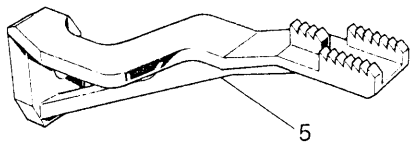
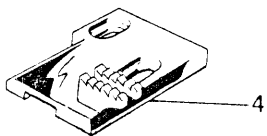
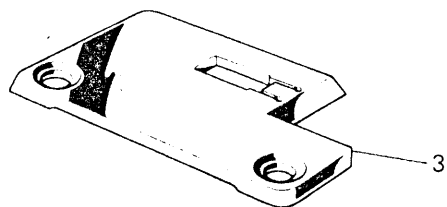
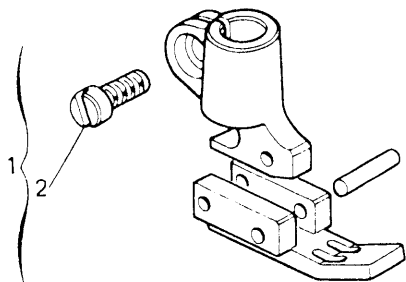
| Fig. N. Abb. N. | Part. N. Bestell N. Pieza N. | Qt. Anzahl | DESCRIZIONE | DESCRIPTION | DESCRIPTION | BENENNUNG | DESCRIPCION |
|--------------------|------------------------------------|---------------|-------------------------------|----------------------------------|---------------------------------|-----------|-------------|
| ★ | 308528-4-00 | 1 | gruppo tensioni | tension assembly | groupe tension | | |
| ● | 308320-4-00 | 1 | tirante con leva | tie-rod with lever | tirant avec levier | | |
| 1 | 746204-0-00 | 1 | dado | nut | écrou | | |
| 2 | 729884-2-00 | 1 | vite | screw | vis | | |
| 3 | 729034-2-00 | 2 | vite per leva | screw for lever | vis pour levier | | |
| 4 | 308062-2-00 | 1 | leva comando alza piedino | presserfoot control lever | levier soulèv. pied presseur | | |
| 5 | 704240-2-00 | 2 | rondella | washer | rondelle | | |
| 6 | 304763-0-10 | 2 | anello di tenuta | retainer ring | bague d'étanchéité | | |
| 7 | 308996-0-01 | 1 | albero comando alza piedino | shaft | arbre | | |
| 8 | 740632-2-00 | 1 | vite | screw | vis | | |
| 9 | 302232-0-10 | 1 | leva superiore | upper lever | levier supérieur | | |
| 10 | 308495-2-00 | 1 | leva sblocca tensione | lever | levier | | |
| 11 | 707241-0-00 | 1 | spina elastica | split pin | goupille réglable | | |
| 12 | 308321-0-00 | 1 | tirante | tie-rod | tirant | | |
| 13 | 740034-2-00 | 1 | vite per leva | screw | vis pour levier | | |
| 14 | 302238-0-10 | 1 | leva per tirante | tie-rod lever | levier pour tirant | | |
| 15 | 745126-2-00 | 1 | vite | screw | vis | | |
| 16 | 727834-2-00 | 1 | vite | screw | vis | | |
| 17 | 308512-0-00 | 2 | distanziale | spacer | entretoise | | |
| 18 | 308502-0-00 | 1 | slitta per tensione | slide for tension | glissière tension | | |
| 19 | 701007-0-00 | 2 | anello | ring | anneau | | |
| 20 | 308506-0-00 | 3 | pernetto | pin | pivot | | |
| 21 | 308501-0-01 | 3 | passafilo | thread guide | passé-fil | | |
| 22 | 308503-0-01 | 3 | guidafilo | thread guide | guide fil | | |
| 23 | 744676-2-00 | 2 | vite | screw | vis | | |
| 24 | 308504-0-00 | 1 | supporto | support | support | | |
| 25 | 308505-0-00 | 3 | perno a vite | threaded pin | pivot à vis | | |
| 26 | 300218-0-10 | 6 | disco tensione | tension disc | disque tension | | |
| 27 | 308507-0-00 | 3 | rondella | washer | rondelle | | |
| 28 | 202556-0-00 | 3 | scodellino | cup | cuvette | | |
| 29 | 200710-0-10 | 2 | molla | ring | ressort | | |
| 30 | 202229-0-10 | 3 | bussola superiore | upper bush | bague supérieure | | |
| 31 | 202558-2-00 | 3 | pomolo | knob | pommeau | | |
| 32 | 200714-0-10 | 1 | molla | spring | ressort | | |
| 33 | 308518-4-00 | 2 | tensione sup.con molla fig.29 | upper tension with spring fig.29 | tension sup.avec ressort fig.29 | | |
| 34 | 308521-4-00 | 1 | tensione inf.con molla fig.32 | lower tension with spring fig.32 | tension inf.avec ressort fig.32 | | |



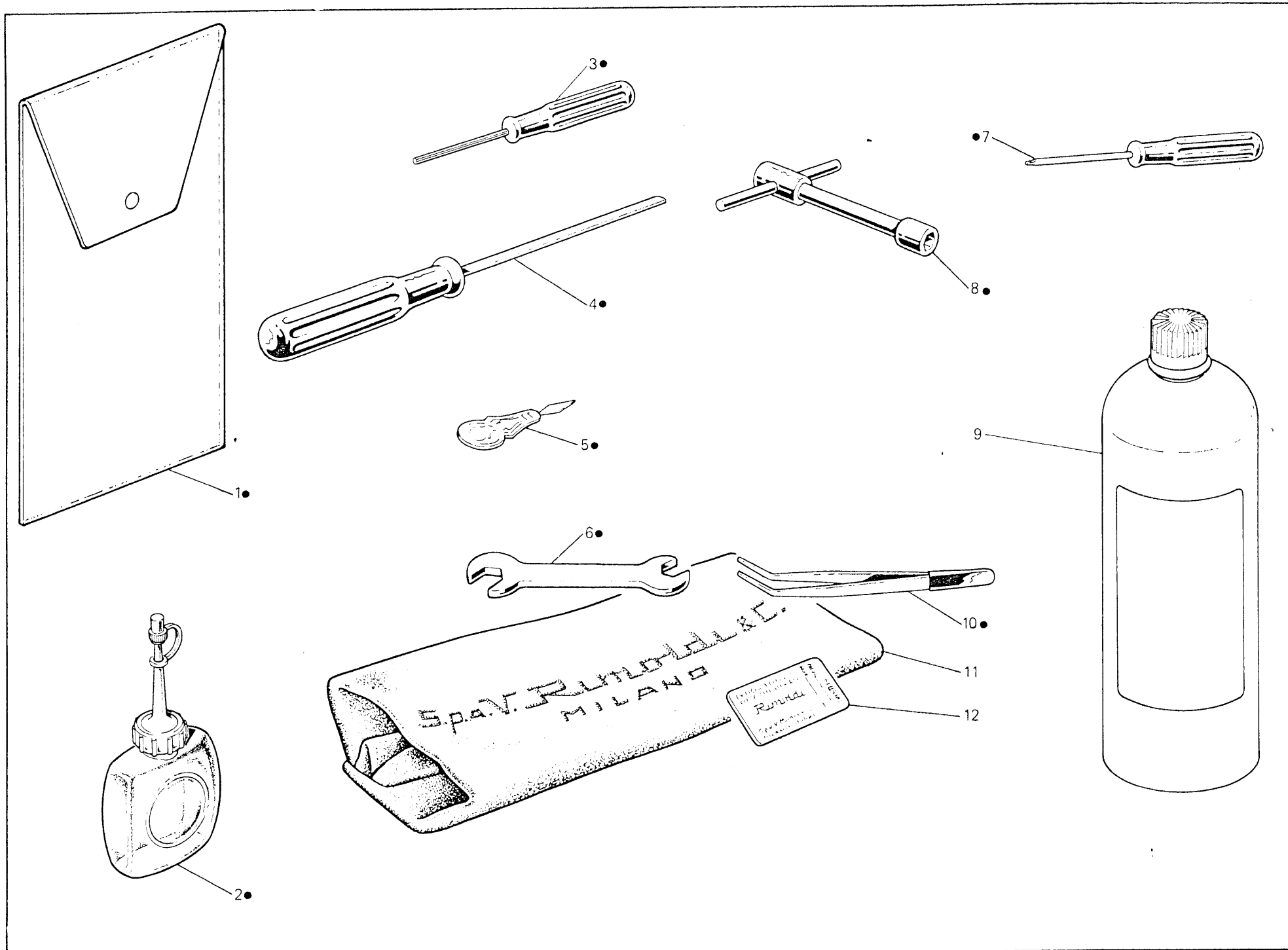
| Fig. N. Abb. N. | Part. N. Bestell N. Pieze N. Pieza N. | Qt. Anzahl | DESCRIZIONE | DESCRIPTION | DESCRIPTION | BENENNUNG | DESCRIPCION |
|--------------------|------------------------------------------------|---------------|--------------------------|-------------------|--------------------------|-----------|-------------|
| ● | 308592-4-03 | 1 | bacinella olio completa | oil sump assembly | réservoir huile complet | | |
| 1 | 308125-0-00 | 1 | guarnizione | gasket | garniture | | |
| 2 | 308580-2-10 | 1 | bacinella | sump | réservoir | | |
| 3 | 308002-0-00 | 1 | piastrina per bacinella | sheet for sump | plaquette pour réservoir | | |
| 4 | 308151-0-01 | 1 | filtro | filter | filtre | | |
| 5 | 308150-0-10 | 1 | scodellino recupero olio | cup | cuvette | | |
| 6 | 778461-0-00 | 1 | stoppino | wick | mèche | | |
| 7 | 722453-2-00 | 6 | vite per fiss. bacinella | sump fixing screw | vis blocage réservoir | | |
| 8 | 308379-0-00 | 1 | astina livello olio | stick | jauge niveau huile | | |
| 9 | 308228-2-00 | 1 | galleggiante | float | flotteur | | |
| 10 | 705977-0-00 | 1 | rondella | washer | rondelle | | |
| 11 | 206564-0-00 | 1 | tappo | plug | bouchon | | |
| 12 | 206560-0-10 | 1 | coperchio | cover | couvercle | | |
| 13 | 722063-2-00 | 2 | vite | screw | vis | | |
| 14 | 308226-0-02 | 1 | guida astina | guide for stick | guide barre | | |
| 15 | 703003-0-00 | 1 | rondella elastica | spring washer | rondelle, élastique | | |
| 16 | 740240-0-00 | 1 | vite | screw | vis | | |
| 17 | 308113-0-00 | 1 | anello | oil ring | bague d'étanchéité | | |
| 18 | 311395-0-00 | 1 | guarnizione | gasket | garniture | | |
| 19 | 701051-0-00 | 1 | guarnizione | gasket | garniture | | |
| 20 | 206545-0-00 | 1 | molla a spirale | spring | ressort | | |
| 21 | 206559-0-00 | 1 | filtro | filter | filtre | | |



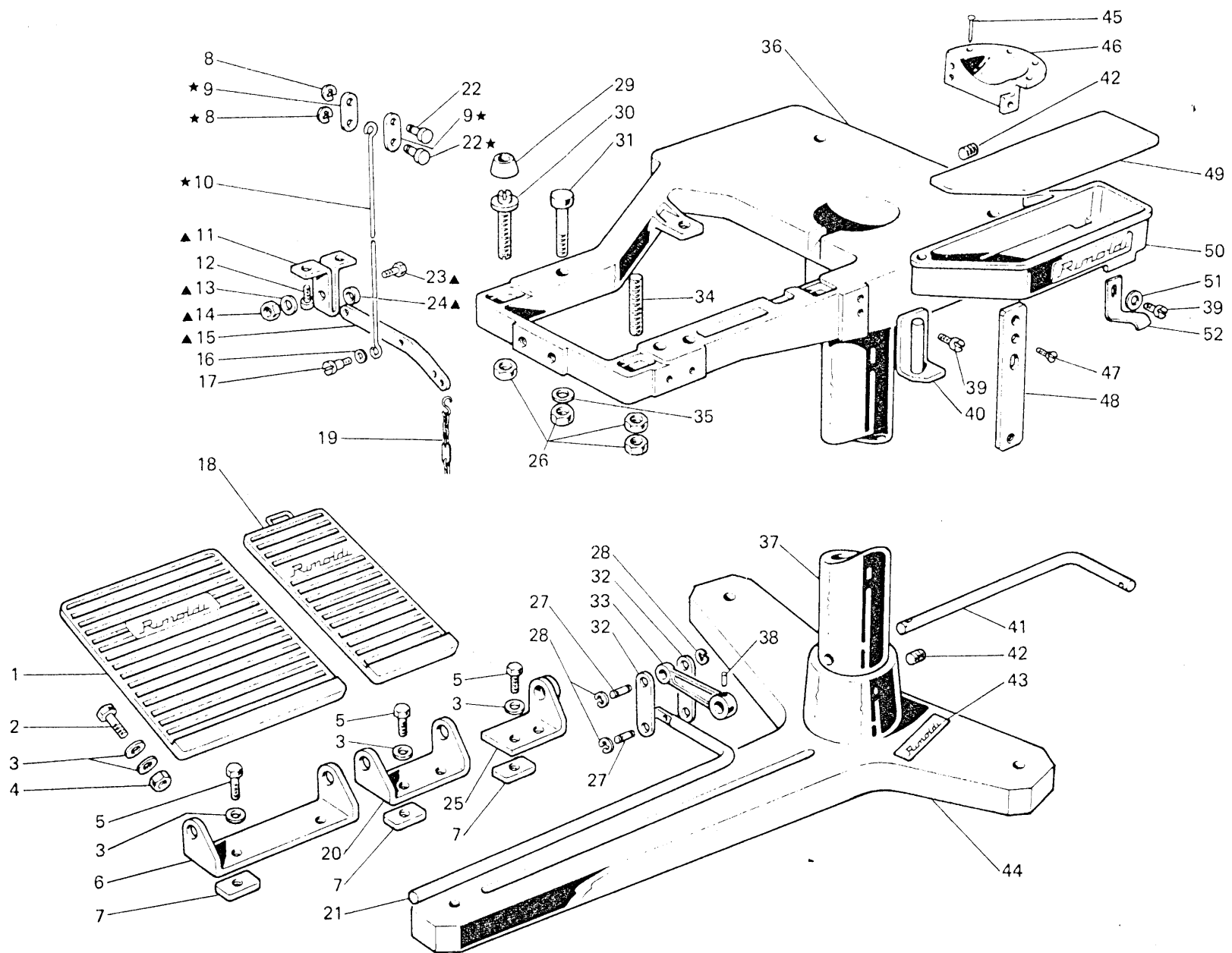
| Fig. N. Abb. N. | Part. N. Piecce N. Bestell N. Pieza N. | Qt. Anzahl | DESCRIZIONE | DESCRIPTION | DESCRIPTION | BENENNUNG | DESCRIPCION |
|--------------------|-------------------------------------------------|---------------|------------------------------|-----------------------------|----------------------------|-----------|-------------|
| ■ | 310500-4-00 | 1 | raccordo mandata olio compl. | pipe connection assembly | raccord envoi huile compl. | | |
| ★ | 308105-4-03 | 1 | pompa olio completa | oil pump assembly | pompe à huile complète | | |
| 1 | 300420-0-10 | 1 | rondella | washer | rondelle | | |
| 2 | 730011-2-00 | 1 | vite | screw | vis | | |
| 3 | 300419-0-10 | 1 | raccordo | pipe connection | raccord | | |
| 4 | 308243-3-00 | 1 | tubetto e stoppino | pipe and wick | tube et mèche | | |
| 5 | 778240-0-00 | 1 | stoppino | wick | mèche | | |
| 6 | 308153-0-00 | 1 | filtro | filter | filtre | | |
| 7 | 308154-0-00 | 1 | molletta | spring | ressort | | |
| 8 | 308155-4-01 | 1 | gruppo molletta con filtro | spring with filter assembly | groupe ressort avec filtre | | |
| 9 | 308123-0-00 | 1 | raccordo superiore | upper pipe connection | raccord supérieur | | |
| 10 | 308219-0-00 | 1 | feltro | felt | feutre | | |
| 11 | 308114-2-01 | 1 | distributore | distributor | distributeur | | |
| 12 | 308040-2-00 | 1 | tubetto | pipe | tube | | |
| 13 | 308214-0-00 | 1 | raccordo mandata olio | pipe connection | raccord | | |
| 14 | 721424-2-00 | 1 | vite | screw | vis | | |
| 15 | 308184-0-00 | 1 | fascetta | clamp | bride | | |
| 16 | 308295-0-00 | 1 | filtro | filter | filtre | | |
| 17 | 721514-0-00 | 3 | vite | screw | vis | | |
| 18 | 308104-0-00 | 1 | piastrina | plate | plaquette | | |
| 19 | 308207-0-00 | 1 | tubetto | pipe | tube | | |
| 20 | 308043-0-00 | 1 | fascetta | clamp | bride | | |
| 21 | 790307-0-00 | 1 | tubetto | pipe | tube | | |
| 22 | 790325-0-00 | 1 | tubetto | pipe | tube | | |
| 23 | 308212-0-00 | 1 | bussolina olio | oil bush | bague huile | | |
| 24 | 308211-0-00 | 2 | clip | clip | clip | | |
| 25 | 790315-0-00 | 1 | tubetto | pipe | tube | | |
| 26 | 790342-0-00 | 1 | tubetto recupero olio | pipe | tube | | |
| 27 | 790242-0-00 | 1 | tubetto recupero olio | pipe | tube | | |
| 28 | 308185-0-00 | 1 | raccordo inferiore | lower pipe connection | raccord inférieur | | |
| 29 | 704813-0-00 | 1 | rondella | washer | rondelle | | |
| 30 | 701004-0-00 | 1 | anello di tenuta | retainer ring | bague d'étanchéité | | |
| 31 | 741082-2-00 | 2 | vite | screw | vis | | |
| 32 | 733507-0-00 | 1 | dado | nut | écrou | | |
| 33 | 206555-0-01 | 1 | ingranaggio | gear | engrenage | | |
| 34 | 206557-0-00 | 1 | chiavetta | key | clavette | | |
| 35 | 308110-3-02 | 1 | corpo pompa aspirante | suction pump body | corps pompe admission | | |
| 36 | 308111-0-00 | 1 | coperchio pompa | pump cover | couvercle pompe | | |
| 37 | 741092-0-00 | 2 | vite fissaggio pompa | pump fixing screw | vis fixation pompe | | |
| 38 | 308180-2-00 | 1 | raccordo mandata olio | pipe connection | raccord | | |
| 39 | 701032-0-00 | 1 | anello di tenuta | retainer ring | bague d'étanchéité | | |
| 40 | 206669-2-02 | 1 | indicatore livello olio | oil level gauge | indicateur niveau huile | | |



| Fig. N. Abb. N. | Part. N. Piec. N. Bestell N. Pieza N. | Qt. Anzahl | DESCRIZIONE | DESCRIPTION | DESCRIPTION | BENENNUNG | DESCRIPCION |
|--------------------|------------------------------------------------|---------------|-----------------------------------------------|------------------------------------------------|------------------------------------------------|-----------|-------------|
| 1 | 306308-3-01 | 1 | piedino completo (per passante 8 mm.) | presserfoot assembly (for belt loop 8 mm.) | pied-presseur complet (pour passant 8 mm.) | | |
| 2 | 741721-2-00 | 1 | vite | screw | vis | | |
| 3 | 306306-0-00 | 1 | placca ago | needle plate | plaque à aiguille | | |
| 4 | 306203-0-11 | 1 | griffa principale | main feed dog | griffe principale | | |
| 5 | 306218-0-00 | 1 | griffa supplementare | supplementary feed dog | griffe supplémentaire | | |
| 6 | 306304-4-00 | 1 | placca supplementare (per passanti 8 mm.) | supplementary plate (for belt loop 8 mm.) | plaque supplémentaire (pour passant 8 mm.) | | |
| 7 | 306880-2-00 | 1 | guida (per passante 8 mm.) | guide (for belt loop 8 mm.) | guide (pour passant 8 mm.) | | |
| 8 | 306274-0-00 | 1 | blocchetto (per passante 8-10-12 mm.) | block (for belt 8-10-12 mm.) | bloc (pour passant 8-10-12 mm.) | | |
| 9 | 741453-0-00 | 1 | vite | screw | vis | | |
| 10 | 744530-0-00 | 1 | vite | screw | vis | | |
| 11 | 306303-2-00 | 1 | placca supplementare (per passante 8 mm.) | supplementary plate (for belt loop 8 mm.) | plaque supplémentaire (pour passant 8 mm.) | | |
| 12 | 302057-0-12 | 1 | crochet inferiore | lower looper | crochet inférieur | | |
| 13 | 784392-0-30 | 1 | targhetta classe testa | head class plate | plaque classe tête | | |
| | | | SOLO A RICHIESTA | ONLY ON REQUEST | SEULEMENT SUR DEMANDE | | |
| 1 | 306277-3-01 | 1 | piedino completo (per passante 10 mm.) | presserfoot assembly (for belt loop 10 mm.) | pied-presseur complet (pour passant 10 mm.) | | |
| | 306319-3-01 | 1 | piedino completo (per passante 12 mm.) | presserfoot assembly (for belt loop 12 mm.) | pied-presseur complet (pour passant 12 mm.) | | |
| | 306327-3-01 | 1 | piedino completo (per passante 15 mm.) | presserfoot assembly (for belt loop 15 mm.) | pied-presseur complet (pour passant 15 mm.) | | |
| | 306367-3-01 | 1 | piedino completo (per passante 18 mm.) | presserfoot assembly (for belt loop 18 mm.) | pied-presseur complet (pour passant 18 mm.) | | |
| 6 | 306248-4-00 | 1 | placca supplementare (per passante 10 mm.) | supplementary plate (for belt loop 10 mm.) | plaque supplémentaire (pour passant 10 mm.) | | |
| | 306314-4-00 | 1 | placca supplementare (per passante 12 mm.) | supplementary plate (for belt loop 12 mm.) | plaque supplémentaire (pour passant 12 mm.) | | |
| | 306322-4-00 | 1 | placca supplementare (per passante 15 mm.) | supplementary plate (for belt loop 15 mm.) | plaque supplémentaire (pour passant 15 mm.) | | |
| | 306342-4-00 | 1 | placca supplementare (per passante 18 mm.) | supplementary plate (for belt loop 18 mm.) | plaque supplémentaire (pour passant 18 mm.) | | |
| 7 | 306881-2-00 | 1 | guida (per passante 10 mm.) | guide (for belt loop 10 mm.) | guide (pour passant 10 mm.) | | |
| | 306882-2-00 | 1 | guida (per passante 12 mm.) | guide (for belt loop 12 mm.) | guide (pour passant 12 mm.) | | |
| | 306883-2-00 | 1 | guida (per passante 15 mm.) | guide (for belt loop 15 mm.) | guide (pour passant 15 mm.) | | |
| | 306884-2-00 | 1 | guida (per passante 18 mm.) | guide (for belt loop 18 mm.) | guide (pour passant 18 mm.) | | |
| 8 | 306275-0-00 | 1 | blocchetto (per passante 15-18 mm.) | block (for belt loop 15-18 mm.) | bloc (pour passant 15-18 mm.) | | |
| 11 | 306247-2-00 | 1 | placca supplementare (per passante 10 mm.) | supplementary plate (for belt loop 10 mm.) | plaque supplémentaire (pour passant 10 mm.) | | |
| | 306313-2-00 | 1 | placca supplementare (per passante 12 mm.) | supplementary plate (for belt loop 12 mm.) | plaque supplémentaire (pour passant 12 mm.) | | |
| | 306321-2-00 | 1 | placca supplementare (per passante 15 mm.) | supplementary plate (for belt loop 15 mm.) | plaque supplémentaire (pour passant 15 mm.) | | |
| | 306341-2-00 | 1 | placca supplementare (per passante 18 mm.) | supplementary plate (for belt loop 18 mm.) | plaque supplémentaire (pour passant 18 mm.) | | |

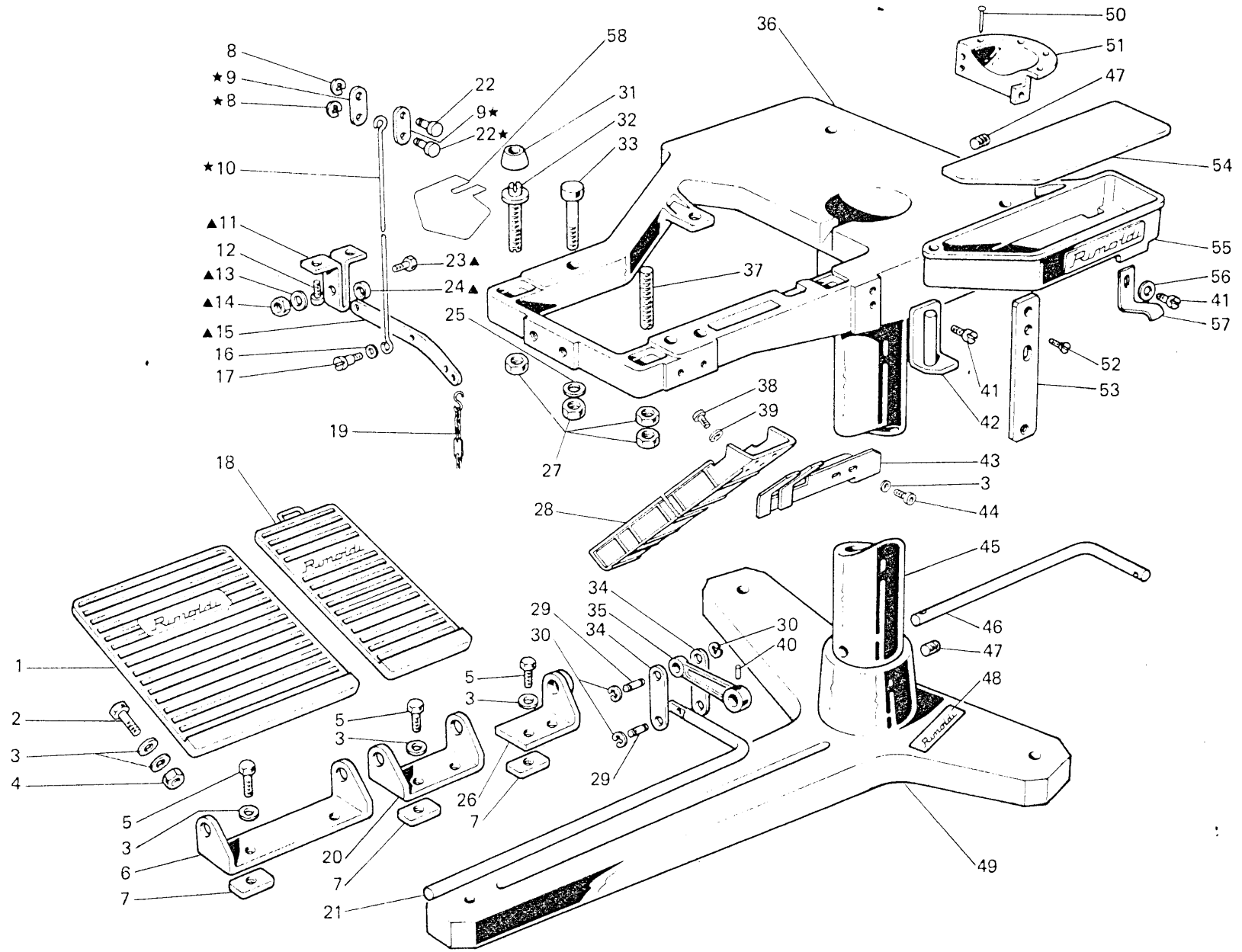


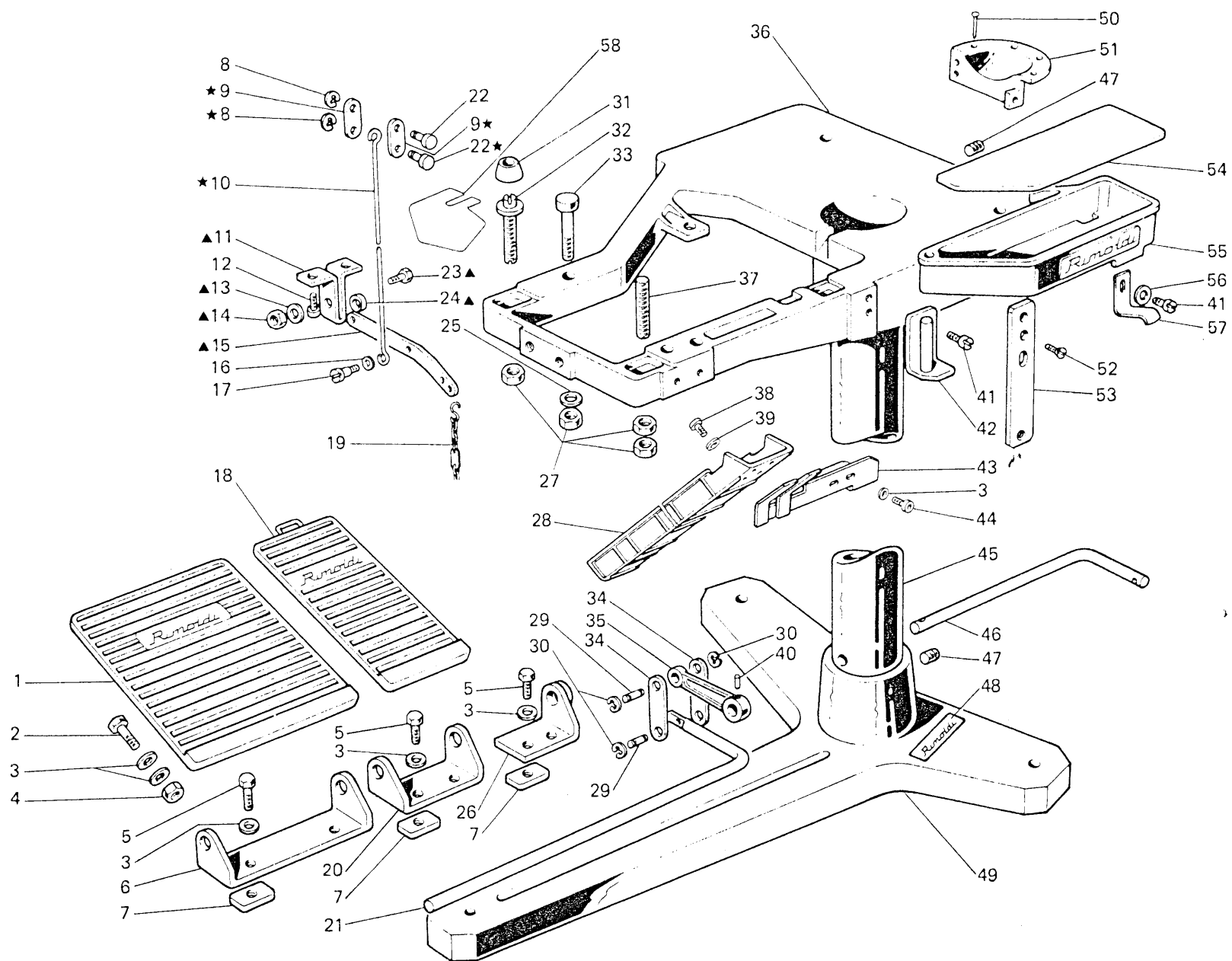
| Fig. N. Abb. N. | Part. N. Piece N. Bestell N. Pieza N. | Qt. Anzahl | DESCRIZIONE | DESCRIPTION | DESCRIPTION | BENENNUNG | DESCRIPCION |
|--------------------|------------------------------------------------|---------------|-----------------------------------------------------------------------------------------------|--------------------------------------------------------------------------------------|------------------------------------------------------------------------------------------------|-----------|-------------|
| ● | 991408-4-00 | 1 | busta accessori completa | accessories envelope assembly | envelope accessoires complète | | |
| 1 | 991415-0-00 | 1 | busta accessori | accessories envelope | envelope accessoires | | |
| 2 | 990175-0-10 | 1 | oliatore | oiler | graisseur | | |
| 3 | 990474-0-11 | 1 | chiave esagonale da 1,5 mm | 1,5 mm hexagonal key | clé hexagonale da 1,5 mm | | |
| 4 | 990181-0-10 | 1 | cacciavite medio | screw-driver | tournevis moyen | | |
| 5 | 990188-0-10 | 1 | infila aghi | needle threading | enfiles aiguilles | | |
| 6 | 990193-0-00 | 1 | chiave da 5-7 mm | 5-7 mm key | clé da 5-7 mm | | |
| 7 | 990182-0-10 | 1 | cacciavite piccolo | screw driver | petite tournevis | | |
| 8 | 990587-0-10 | 1 | chiave a tubo da 9 mm | 9 mm key | clé à tube de 9 mm | | |
| 9 | 990075-1-13 | 1 | lattina olio kg.1 | oil container (1kg.) | bidon huile de 1 kg. | | |
| 10 | 990176-0-10 | 1 | pinza per infilatura | threading tweezers | pince pour infilage | | |
| 11 | 990578-0-12 | 1 | cuffia protez.macchina | machine cover | couverture protection machine | | |
| 12 | ★ | 1 | bustina aghi | needle packet | paquette aiguille | | |
| | | | ★ per l'ordinazione della bustina citare lo stesso simbolo dell'ago montato sulla testa | ★ to order packet of needles please specify symbol of needle fitted on machine | ★ pour commander un sachet d'aiguilles donner le symbol de l'aiguille montée sur la tête | | |



| Fig. N. Abb. N. | Part. N. Bestell N. Pieze N. Pieza N. | Qt. Anzahl | DESCRIZIONE | DESCRIPTION | DESCRIPTION | BENENNUNG | DESCRIPCION |
|--------------------|------------------------------------------------|---------------|----------------------------------|------------------------------|--------------------------------|-----------|-------------|
| | | | PIAZZAMENTO BANCALE A COLONNA | COLUMN STAND SETTING | INSTALATION BATI A COLONNE | | |
| ★ | 990797-4-00 | 1 | tirante alza piedino compl. | presser tie-rod assembly | tirante soulèv.de biche compl. | | |
| ▲ | 990644-4-10 | 1 | cavallotto con leva completo | coupling with lever assembly | cavalier avec levier complet | | |
| 1 | 900734-3-10 | 1 | pedana completa | pedal assembly | pédale complète | | |
| 2 | 722493-2-00 | 4 | vite | screw | vis | | |
| 3 | 704226-2-00 | 14 | rondella | washer | rondelle | | |
| 4 | 746203-4-00 | 4 | dado | nut | écrou | | |
| 5 | 720494-2-00 | 6 | vite | screw | vis | | |
| 6 | 900738-0-10 | 1 | supporto pedana | pedal support | support pédale | | |
| 7 | 900737-0-10 | 6 | piastrina | plate | plaque | | |
| 8 | 700205-0-00 | 2 | anello elastico | spring ring | anneau ressort | | |
| 9 | 990765-0-00 | 2 | piastrina | plate | plaque | | |
| 10 | 990662-0-11 | 1 | tirante | tie-rod | tirant | | |
| 11 | 990643-0-10 | 1 | cavallotto | coupling | cavalier | | |
| 12 | 721484-2-00 | 2 | vite | screw | vis | | |
| 13 | 704009-0-00 | 1 | rondella | washer | rondelle | | |
| 14 | 746408-2-00 | 1 | dado | nut | écrou | | |
| 15 | 990645-0-11 | 1 | leva | lever | levier | | |
| 16 | 704310-0-00 | 1 | rondella | washer | rondelle | | |
| 17 | 743541-2-00 | 1 | vite | screw | vis | | |
| 18 | 900728-3-10 | 1 | pedalina completa | pedal assembly | pédale complète | | |
| 19 | 990179-4-11 | 1 | catenella completa | chain assembly | chaînette complète | | |
| 20 | 900731-0-10 | 1 | supporto pedalina | pedal support | support pédale | | |
| 21 | 900760-0-10 | 1 | albero | shaft | arbre | | |
| 22 | 203211-0-10 | 2 | perno | pin | pivot | | |
| 23 | 740888-0-00 | 1 | vite | screw | vis | | |
| 24 | 990648-0-10 | 1 | distanziale | spacer | entretoise | | |
| 25 | 900744-2-00 | 1 | supporto | support | support | | |
| 26 | 733008-2-00 | 16 | dado | nut | écrou | | |
| 27 | 900714-0-10 | 2 | perno | pin | pivot | | |
| 28 | 700208-0-00 | 4 | anello elastico | spring ring | anneau ressort | | |
| 29 | 990982-0-00 | 4 | ammortizzatore | shock absorber | amortisseur | | |
| 30 | 900694-0-11 | 4 | perno | pin | pivot | | |
| 31 | 722905-2-00 | 4 | vite | screw | vis | | |
| 32 | 900715-0-10 | 2 | piastrina | plate | plaque | | |
| 33 | 900713-0-10 | 1 | leva | lever | levier | | |
| 34 | 900647-0-10 | 4 | prigioniero | pin | pivot | | |
| 35 | 704344-2-00 | 4 | rondella | washer | rondelle | | |
| 36 | 900750-0-11 | 1 | sostegno testa | head support | support tête | | |
| 37 | 900709-0-10 | 1 | colonna | column | colonne | | |
| 38 | 707298-0-00 | 1 | spina elastica | split pin | goupille filetée | | |
| 39 | 721475-2-00 | 3 | vite | screw | vis | | |
| 40 | 900706-2-10 | 1 | sostegno cassetto | support | support | | |
| 41 | 900716-0-10 | 1 | albero | shaft | arbre | | |
| 42 | 729066-2-00 | 4 | vite | screw | vis | | |
| 43 | 788720-0-00 | 1 | targhetta | plate | plaque | | |
| 44 | 900691-0-10 | 1 | basamento | base | base | | |
| 45 | 900201-0-10 | 7 | chiodo | rivet | clou | | |

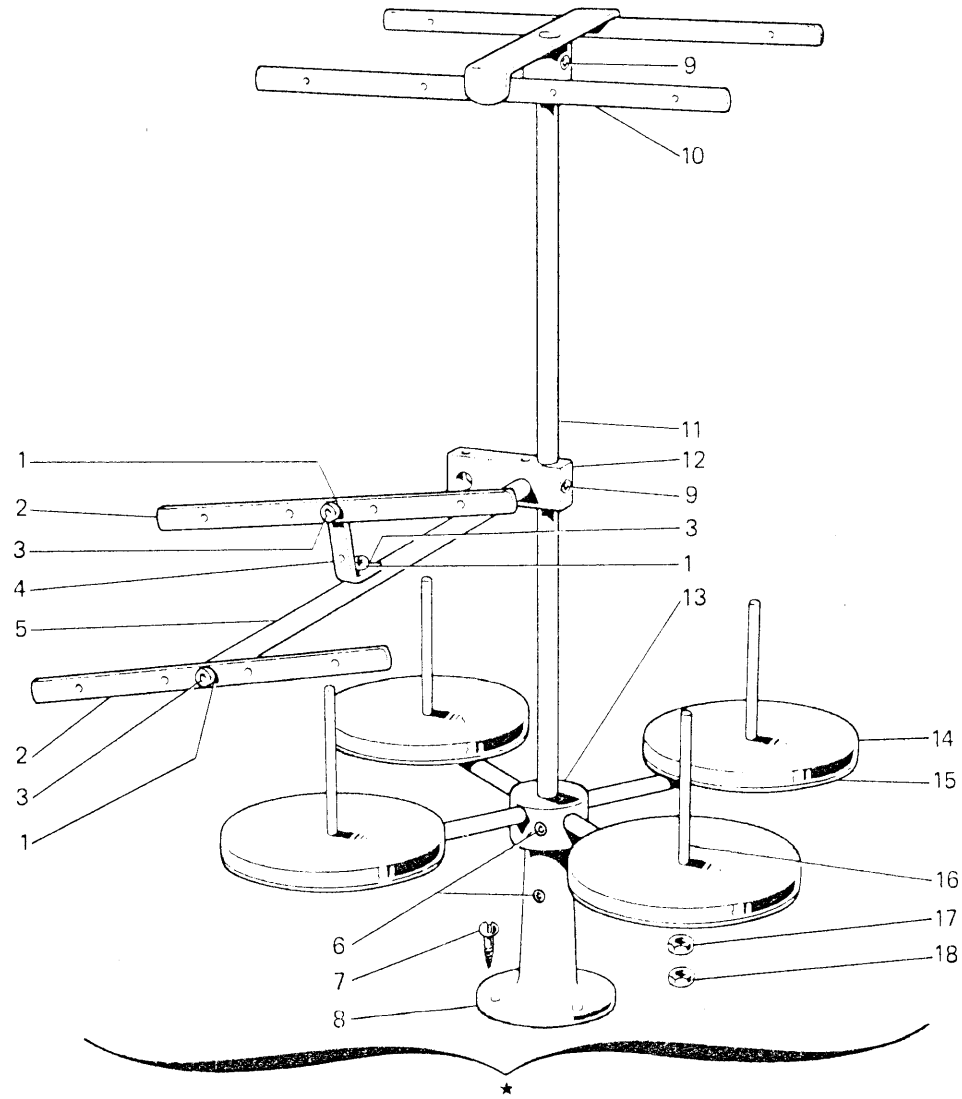
| Fig. N. Abb. N. | Part. N. Bestell N. Piece N. Pieza N. | Ct. Anzahl | DESCRIZIONE | DESCRIPTION | DESCRIPTION | BENENNUNG | DESCRIPCION |
|--------------------|------------------------------------------------|---------------|----------------------|----------------------|-------------------|-----------|-------------|
| 46 | 900317-0-10 | 1 | protezione volantino | handwheel protection | protection volant | | |
| 47 | 724054-0-00 | 2 | vite | screw | vis | | |
| 48 | 910355-0-00 | 1 | piastra | plate | plaque | | |
| 49 | 900703-0-10 | 1 | tappeto | carpet | tapis | | |
| 50 | 900704-2-10 | 1 | cassetto | drawer | tiroir | | |
| 51 | 704409-2-00 | 1 | rondella | washer | rondelle | | |
| 52 | 900708-0-10 | 1 | molla | spring | ressort | | |





| Fig. N. Abb. N. | Part. N. Piecce N. Bestell N. Pieza N. | Qt. Anzahl | DESCRIZIONE | DESCRIPTION | DESCRIPTION | BENENNUNG | DESCRIPCION |
|--------------------|-------------------------------------------------|---------------|------------------------------------------------------------|------------------------------------|--------------------------------------------------------|-----------|-------------|
| | | | PIAZZAMENTO BANCALE A COLONNA (con canale scarica ritagli) | COLUMN STAND SETTING (with offset) | INSTALLATION BATA COLONNE (avec canal décharge-chutes) | | |
| ★ | 990797-4-00 | 1 | tirante alza piedino compl. | presser tie-rod assembly | tirante pour soulèv. de biche compl. | | |
| ▲ | 990644-4-10 | 1 | cavallotto con leva compl. | coupling with lever assembly | cavalier avec levier compl. | | |
| 1 | 900734-3-10 | 1 | pedalina completa | pedal assembly | pédale complète | | |
| 2 | 722493-2-00 | 4 | vite | screw | vis | | |
| 3 | 704226-2-00 | 16 | rondella | washer | rondelle | | |
| 4 | 746203-4-00 | 4 | dado | nut | écrou | | |
| 5 | 720494-2-00 | 6 | vite | screw | vis | | |
| 6 | 900738-0-10 | 1 | supporto pedana | pedal support | support pédale | | |
| 7 | 900737-0-10 | 6 | piastrina | plate | plaque | | |
| 8 | 700205-0-00 | 2 | anello elastico | spring ring | anneau ressort | | |
| 9 | 990765-0-00 | 2 | piastrina | plate | plaque | | |
| 10 | 990662-0-11 | 1 | tirante | tie-rod | tirant | | |
| 11 | 990643-0-10 | 1 | cavallotto | coupling | cavalier | | |
| 12 | 721484-2-00 | 2 | vite | screw | vis | | |
| 13 | 704009-0-00 | 1 | rondella | washer | rondelle | | |
| 14 | 746408-2-00 | 1 | dado | nut | écrou | | |
| 15 | 990645-0-11 | 1 | leva | levier | lever | | |
| 16 | 704310-0-00 | 1 | rondella | washer | rondelle | | |
| 17 | 743541-2-00 | 1 | vite | screw | vis | | |
| 18 | 900728-3-10 | 1 | pedalina completa | pedal assembly | pédale complète | | |
| 19 | 990179-4-11 | 1 | catenella completa | chain assembly | chaînette compl. | | |
| 20 | 900731-0-10 | 1 | supporto pedalina | pedal support | support pédale | | |
| 21 | 900760-0-10 | 1 | albero | shaft | arbre | | |
| 22 | 203211-0-10 | 2 | perno | pin | pivot | | |
| 23 | 740888-0-00 | 1 | vite | screw | vis | | |
| 24 | 990648-0-10 | 1 | distanziale | spacer | entretoise | | |
| 25 | 704344-2-00 | 4 | rondella | washer | rondelle | | |
| 26 | 900744-2-00 | 1 | supporto | support | support | | |
| 27 | 733008-2-00 | 16 | dado | nut | écrou | | |
| 28 | 990781-0-00 | 1 | canale scarica ritagli | offset | canal décharge-chutes | | |
| 29 | 900714-0-10 | 2 | perno | pin | pivot | | |
| 30 | 700208-0-00 | 4 | anello elastico | spring ring | anneau ressort | | |
| 31 | 990982-0-00 | 4 | ammortizzatore | shock absorber | amortisseur | | |
| 32 | 900694-0-11 | 4 | perno | pin | pivot | | |
| 33 | 722905-2-00 | 4 | vite | screw | vis | | |
| 34 | 900715-0-10 | 2 | piastrina | plate | plaque | | |
| 35 | 900713-0-10 | 1 | leva | lever | levier | | |
| 36 | 900750-0-11 | 1 | sostegno testa | head support | support tête | | |
| 37 | 900647-0-10 | 4 | prigioniero | pin | pivot | | |
| 38 | 201235-0-10 | 4 | vite | screw | vis | | |
| 39 | 704306-0-00 | 4 | rondella | washer | rondelle | | |
| 40 | 707298-0-00 | 1 | spina elastica | split pin | goupille filetée | | |
| 41 | 721475-2-00 | 3 | vite | screw | vis | | |
| 42 | 900706-2-10 | 1 | sostegno cassetto | support | support | | |
| 43 | 990780-2-00 | 1 | sostegno scarica ritagli | support offset | support décharge-chutes | | |
| 44 | 722443-2-00 | 2 | vite | screw | vis | | |
| 45 | 900709-0-10 | 1 | colonna | column | colonne | | |

| Fig. N. Abb. N. | Part. N. Piec. N. Bestell N. Pieza N. | Qt. Anzahl | DESCRIZIONE | DESCRIPTION | DESCRIPTION | BENENNUNG | DESCRIPCION |
|--------------------|------------------------------------------------|---------------|-----------------------------------------|----------------------|--------------------------------------|-----------|-------------|
| 46 | 900716-0-10 | 1 | albero | shaft | arbre | | |
| 47 | 729066-2-00 | 4 | vite | screw | vis | | |
| 48 | 788720-0-00 | 1 | targhetta | plate | plaque | | |
| 49 | 900691-0-10 | 1 | basamento | base | base | | |
| 50 | 900201-0-10 | 7 | chiodo | rivet | clou | | |
| 51 | 900317-0-10 | 1 | protezione volante | handwheel protection | protection volant | | |
| 52 | 724054-0-00 | 2 | vite | screw | vis | | |
| 53 | 910355-0-00 | 1 | piastra | plate | plaque | | |
| 54 | 900703-0-10 | 1 | tappeto | carpet | tapis | | |
| 55 | 900704-2-10 | 1 | cassetto | drawer | tiroir | | |
| 56 | 704409-2-00 | 1 | rondella | washer | rondelle | | |
| 57 | 900708-0-10 | 1 | molla | spring | ressort | | |
| 58 | 991191-0-00 | 1 | carterino per canale scarica ritagli | cover for offlet | carter pour canal décharge-chutes | | |



| Fig. N. Abb. N. | Part. N. Bestell N. Piece N. Pieza N. | Qt. Anzahl | DESCRIZIONE | DESCRIPTION | DESCRIPTION | BENENNUNG | DESCRIPCION |
|--------------------|------------------------------------------------|---------------|--------------------------------|----------------------------------|-------------------------------|-----------|-------------|
| ★ | 991120-5-00 | 1 | porta bobine compl. (4-3 fili) | bobbin carrier ass.(4-3 threads) | porte bobine compl.(4-3 fils) | | |
| 1 | 703005-0-00 | 3 | rondella | washer | rondelle | | |
| 2 | 991108-2-00 | 2 | tubetto con bussole | frame with bushes | bâti avec bagues | | |
| 3 | 722431-2-00 | 3 | vite | screw | vis | | |
| 4 | 991107-2-00 | 1 | squadretta con viti e rondelle | bracket with screws and washers | équerre avec vis et rondelles | | |
| 5 | 991106-2-00 | 1 | asta con rondelle e viti | rod with washers and screws | tige avec rondelles et vis | | |
| 6 | 729054-2-00 | 3 | vite | screw | vis | | |
| 7 | 731107-2-00 | 3 | vite | screw | vis | | |
| 8 | 991114-2-00 | 1 | basetta | base | base | | |
| 9 | 729034-2-00 | 3 | vite | screw | vis | | |
| 10 | 991121-3-00 | 1 | telaio superiore | upper frame | bâti supérieur | | |
| 11 | 991113-0-00 | 1 | asta principale | main rod | tige principale | | |
| 12 | 991128-2-00 | 1 | blocchetto con viti | block with screws | bloc avec vis | | |
| 13 | 991129-3-00 | 1 | mozzo con aste e viti | hub with rod and screws | moyeau avec tiges et vis | | |
| 14 | 991179-0-00 | 4 | disco | disc | disque | | |
| 15 | 991112-0-00 | 4 | piatto | disc | plateau | | |
| 16 | 991111-2-00 | 4 | astina con dadi | rod with nuts | tige avec écrous | | |
| 17 | 733508-2-00 | 4 | dado | nut | écrou | | |
| 18 | 925433-0-00 | 4 | dado | nut | écrou | | |

| Fig. N. | Part. N. | Qt. | DESCRIZIONE | DESCRIPTION |
|---------|--------------------------------------|--------|-----------------------------------------------------|-------------------------------------------------------|
| ▲ 26 | Tav. 9 309807-4-01 309757-2-01 | 1 1 | morsetto aghi completo morsetto porta aghi | needles clamp assembly needles holder clamp |
| 7 | Tav. 11 306241-0-00 | 1 | blocchetto (per passante 10 mm) | block (for belt loop 10 mm) |
| 27 | Tav. 13 306265-0-00 | 1 | lamina (per passante 10 mm) | sheet (for belt loop 10 mm) |
| 1 | Tav. 17 306264-3-01 | 1 | piedino completo | presserfoot assembly |
| 3 | 306207-0-10 | 1 | placca ago | needle plate |
| 6 | 306248-4-00 | 1 | placca supplementare compl. (per passante 10 mm) | supplementary plate assembly (for belt loop 10 mm) |
| 7 | 306881-2-00 | 1 | guida (per passante 10 mm) | guide (for belt loop 10 mm) |
| 11 | 306247-2-00 | 1 | placca supplementare (per passante 10 mm) | supplementary plate (for belt loop 10 mm) |