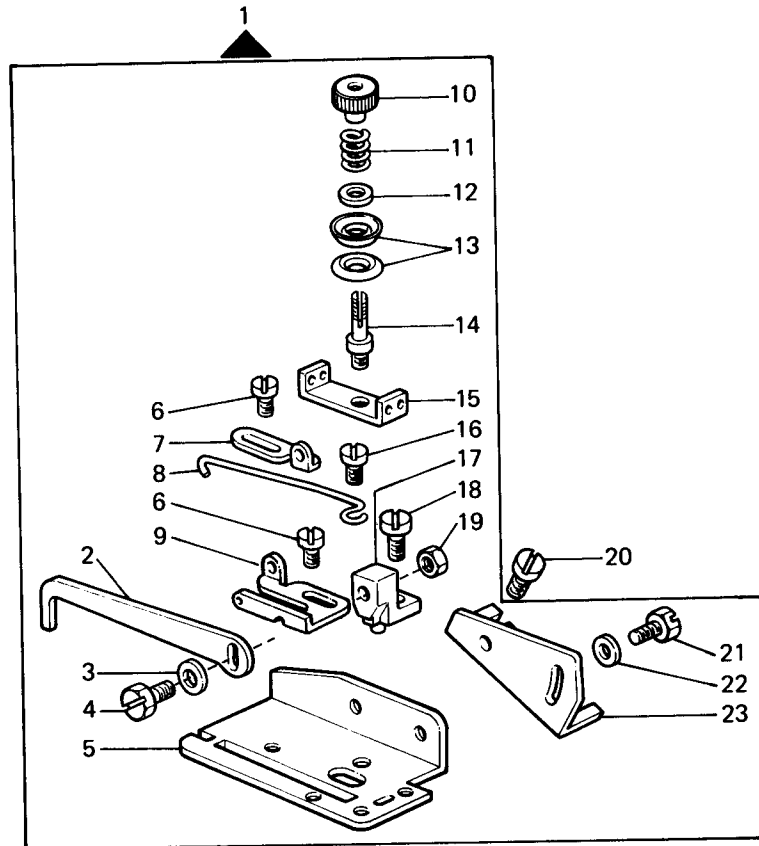


| | CAT. n. | |
|---|--------------------------|--------------------------------------|
| KUP 63-34A/9G-195-C10M | 614+615 | |
| TESTA HEAD TETE MASCHINE CABEZAL | 614 | 263-34-2JR-20 |
| VARIANTI TESTA HEAD VARIATIONS VARIATIONS TETE OBERTEIL-VARIATION VARIATION CABEZAL | 615 | 263-34-2JR-20 |
| DISPOSITIVI DEVICES DISPOSITIFS VORRICHTUNGEN DISPOSITIVOS | 615 614 615 615 | 195-00 189-80 227-30 516-10 |

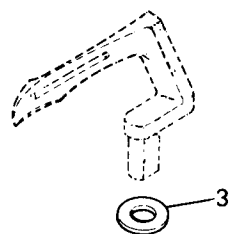
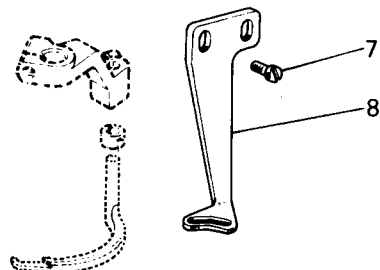
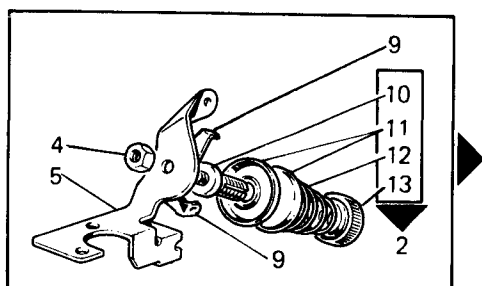
1a EDIZIONE - EDITION 4/93 **n.615**

Rim® TAV. 1

| Fig. N. | Part. N. / Piece N. | Qt. |
|---------|---------------------|-----|
| 1 | 924109-4-01 | 1 |
| 2 | 308556-0-00 | 1 |
| 3 | 705201-0-00 | 1 |
| 4 | 740250-2-00 | 1 |
| 5 | 308550-0-10 | 1 |
| 6 | 741433-2-00 | 2 |
| 7 | 302172-0-10 | 1 |
| 8 | 308558-0-00 | 1 |
| 9 | 924108-0-00 | 1 |
| 10 | 302204-0-10 | 1 |
| 11 | 930066-0-10 | 1 |
| 12 | 704218-2-00 | 1 |
| 13 | 200324-0-10 | 2 |
| 14 | 300393-0-10 | 1 |
| 15 | 310459-0-01 | 1 |
| 16 | 741612-2-00 | 1 |
| 17 | 302168-0-00 | 1 |
| 18 | 741655-2-00 | 1 |
| 19 | 746002-2-00 | 1 |
| 20 | 721444-2-00 | 2 |
| 21 | 740220-2-00 | 2 |
| 22 | 704104-2-00 | 2 |
| 23 | 308551-0-01 | 1 |

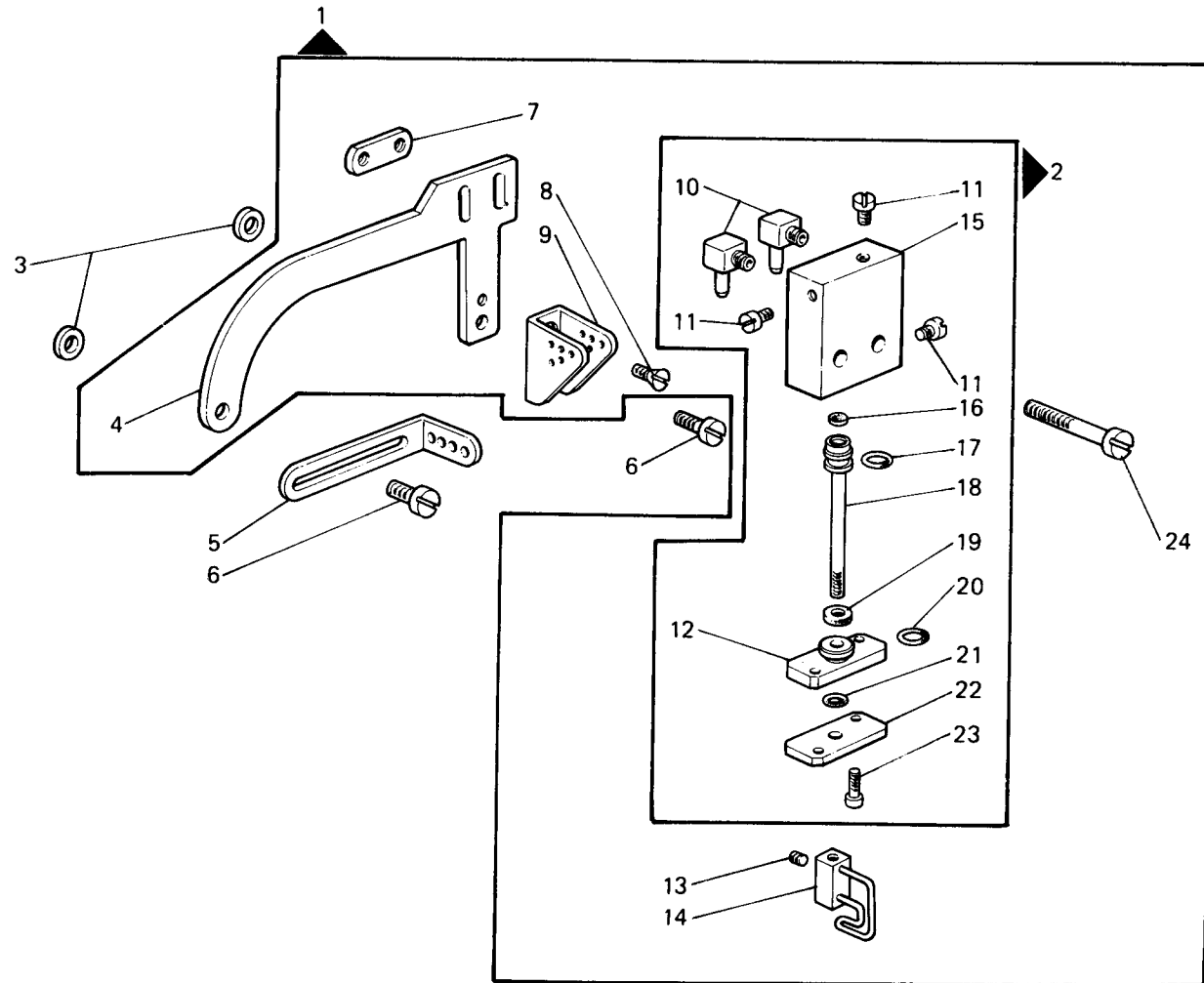


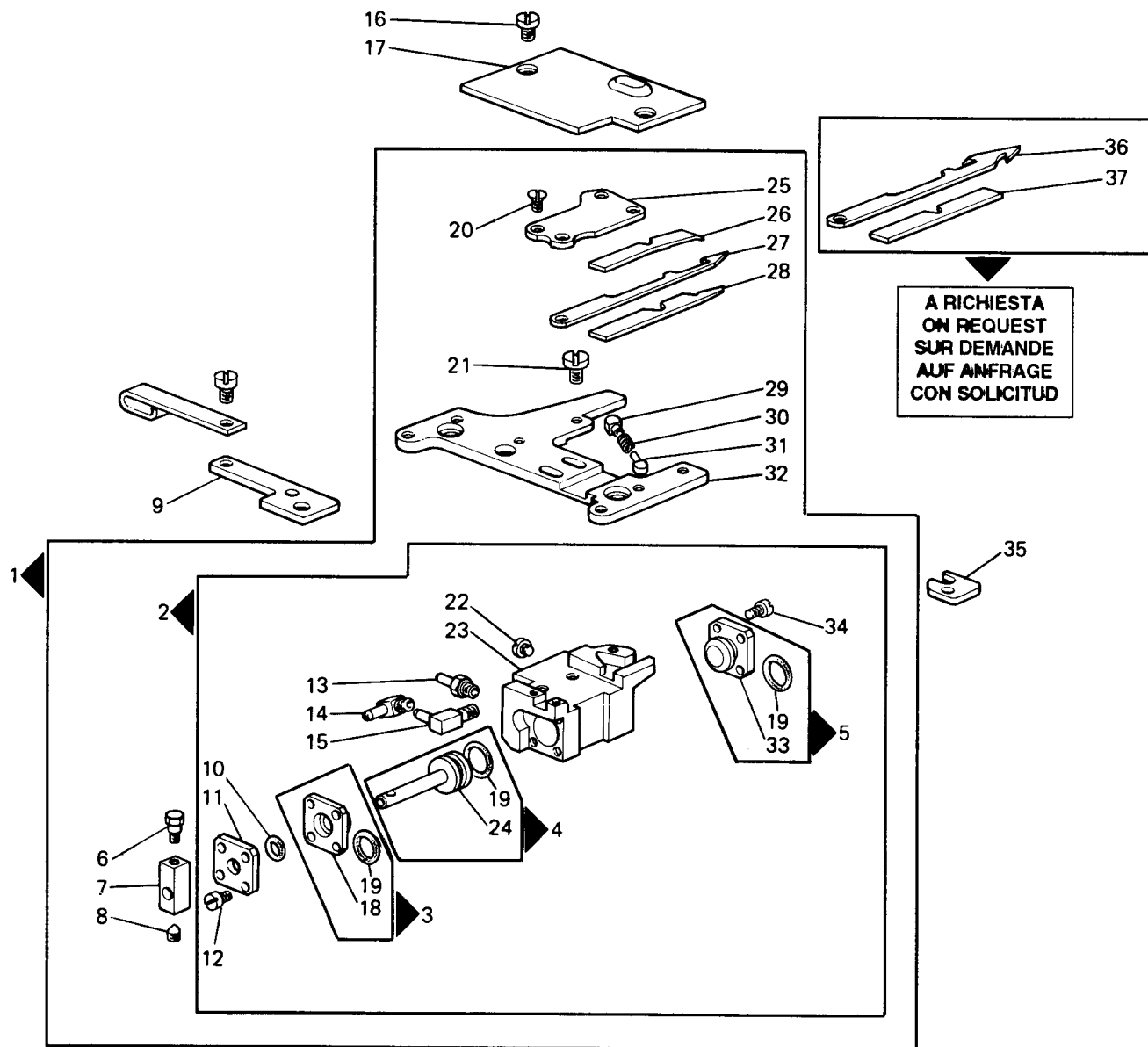
| Fig. N. | Part. N. Place N. | Qt. |
|---------|----------------------|-----|
| 1 | 932241-4-00 | 1 |
| 2 | 308864-4-01 | 1 |
| 3 | 704218-2-00 | 1 |
| 4 | 746007-2-00 | 1 |
| 5 | 308865-0-00 | 1 |
| 6 | 740236-0-00 | 2 |
| 7 | 741658-2-00 | 2 |
| 8 | 302134-0-10 | 1 |
| 9 | 308874-0-00 | 2 |
| 10 | 308862-0-01 | 1 |
| 11 | 308863-0-00 | 2 |
| 12 | 308860-0-00 | 1 |
| 13 | 308861-0-00 | 1 |



Rim® TAV. 3

| Fig. N. | Part. N. / Piece N. | Qt. |
|---------|---------------------|-----|
| 1 | 932219-4-00 | 1 |
| 2 | 932244-4-00 | 1 |
| 3 | 705408-0-00 | 2 |
| 4 | 924727-0-20 | 1 |
| 5 | 304243-0-10 | 1 |
| 6 | 741956-2-00 | 2 |
| 7 | 924730-0-20 | 1 |
| 8 | 724411-0-00 | 1 |
| 9 | 924729-0-10 | 1 |
| 10 | 943765-0-01 | 2 |
| 11 | 741403-4-00 | 3 |
| 12 | 924048-0-00 | 1 |
| 13 | 745810-5-00 | 1 |
| 14 | 924980-2-11 | 1 |
| 15 | 924049-0-00 | 1 |
| 16 | 924045-0-00 | 1 |
| 17 | 701004-0-00 | 1 |
| 18 | 924046-0-00 | 1 |
| 19 | 924402-0-00 | 1 |
| 20 | 701007-0-00 | 1 |
| 21 | 701003-0-00 | 1 |
| 22 | 924047-0-00 | 1 |
| 23 | 722070-2-00 | 2 |
| 24 | 722123-2-00 | 2 |

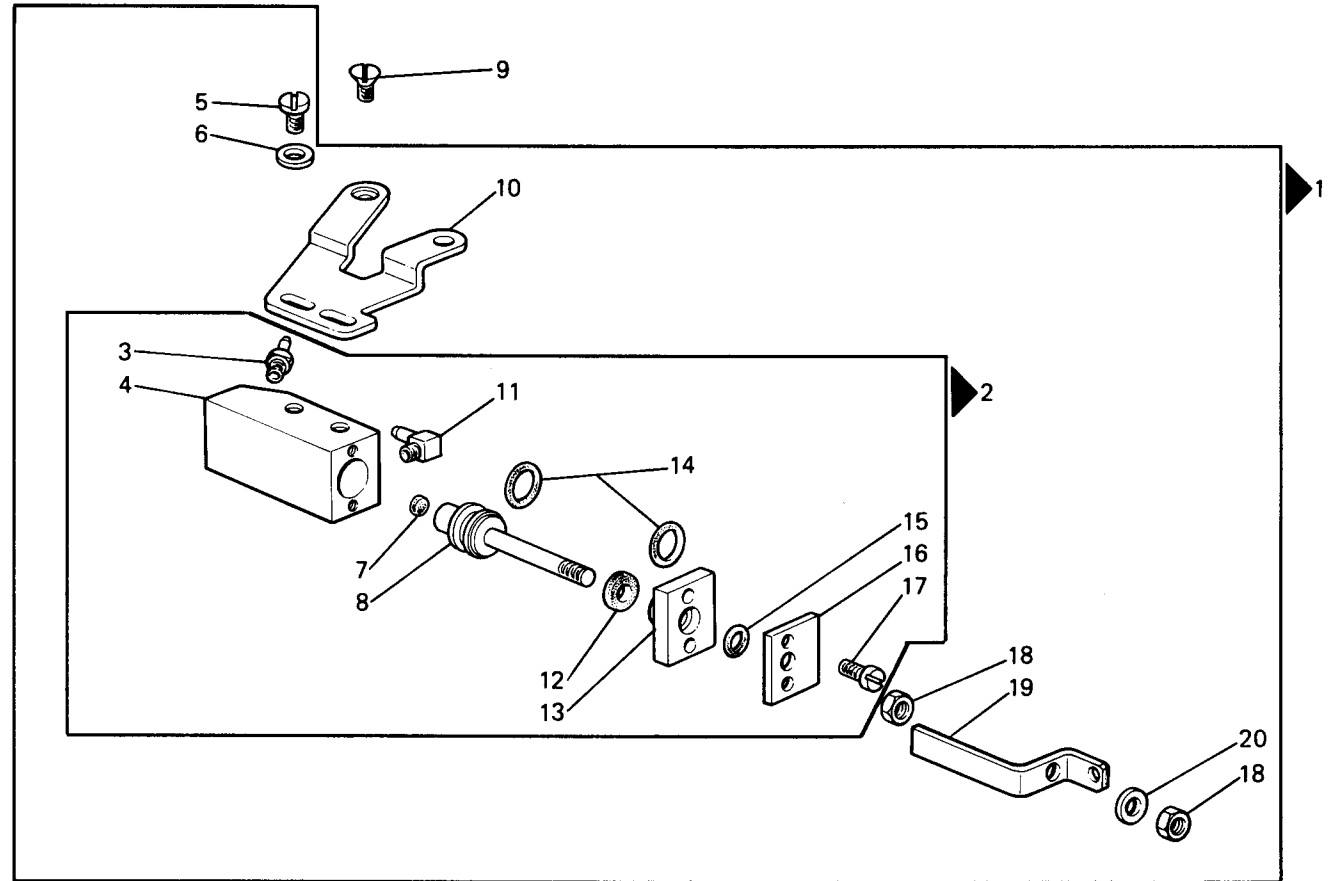


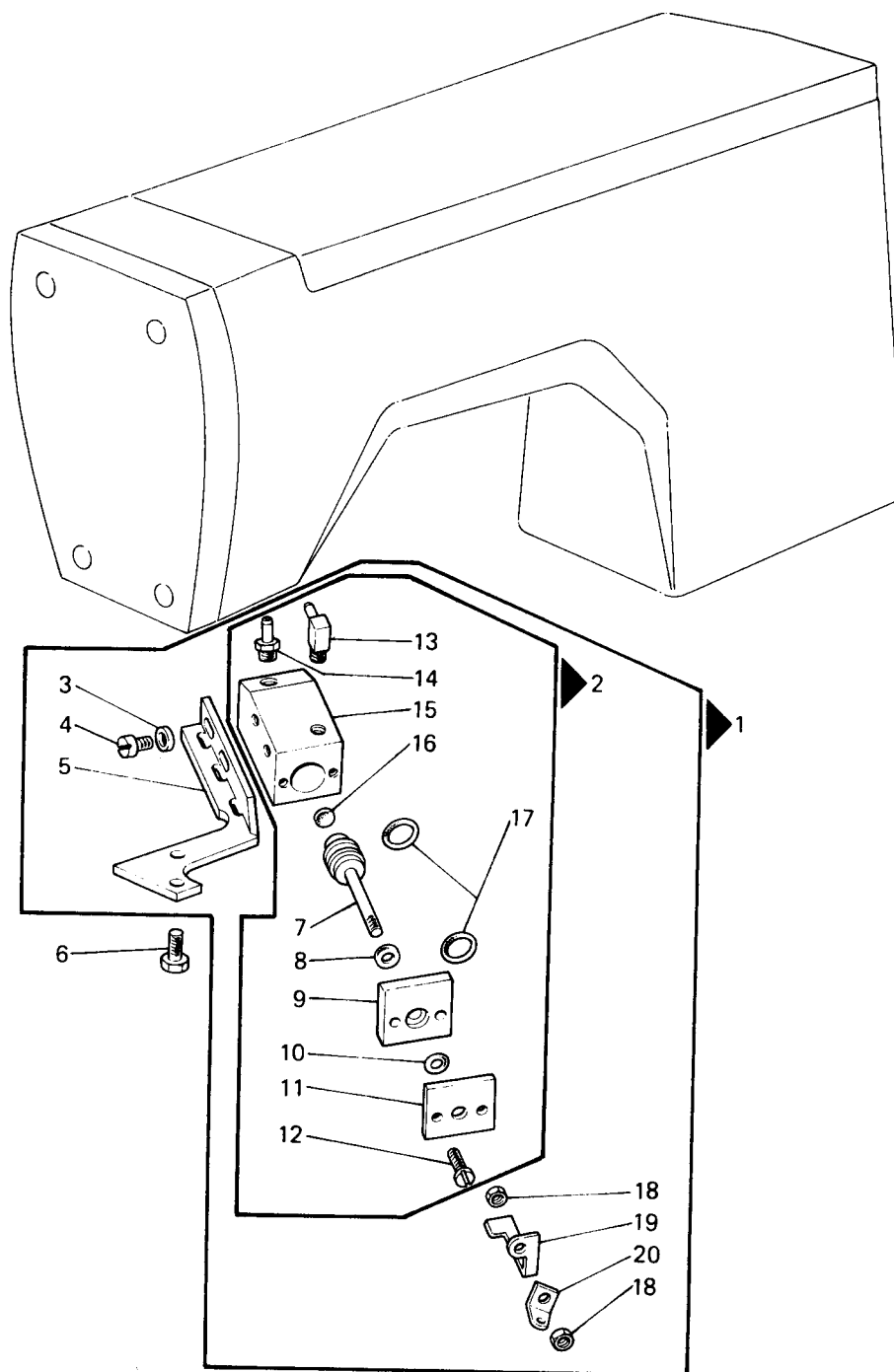


| Fig. N. | Part. N. Piece N. | Qt. |
|---------|-------------------|-----|
| 1 | 924134-4-01 | 1 |
| 2 | 924657-4-12 | 1 |
| 3 | 924662-4-11 | 1 |
| 4 | 924660-4-11 | 1 |
| 5 | 924665-4-11 | 1 |
| 6 | 924673-0-10 | 1 |
| 7 | 924668-0-10 | 1 |
| 8 | 730011-2-00 | 1 |
| 9 | 924136-0-00 | 1 |
| 10 | 701003-0-00 | 1 |
| 11 | 924663-0-10 | 1 |
| 12 | 741461-0-00 | 4 |
| 13 | 924701-0-11 | 1 |
| 14 | 944357-0-00 | 1 |
| 15 | 924666-0-11 | 1 |
| 16 | 741913-4-00 | 2 |
| 17 | 924130-2-02 | 1 |
| 18 | 924661-0-11 | 1 |
| 19 | 701009-0-00 | 3 |
| 20 | 744530-0-00 | 4 |
| 21 | 741956-2-00 | 2 |
| 22 | 741405-4-00 | 1 |
| 23 | 924656-0-12 | 1 |
| 24 | 924659-0-11 | 1 |
| 25 | 925831-4-00 | 1 |
| 26 | 944422-0-00 | 1 |
| 27 | 924670-0-20 | 1 |
| 28 | 924638-0-10 | 1 |
| 29 | 924675-0-10 | 1 |
| 30 | 100893-0-09 | 1 |
| 31 | 924674-0-10 | 1 |
| 32 | 924132-2-00 | 1 |
| 33 | 924664-0-11 | 1 |
| 34 | 741431-0-00 | 4 |
| 35 | 924135-0-00 | 1 |
| 36 | 924607-0-00 | 1 |
| 37 | 924608-0-00 | 1 |

Rim® TAV. 5

| Fig. N. | Part. N. Piece N. | Qt. |
|---------|-------------------|-----|
| 1 | 924029-4-00 | 1 |
| 2 | 924030-4-00 | 1 |
| 3 | 924701-0-11 | 1 |
| 4 | 924039-0-00 | 1 |
| 5 | 741936-2-00 | 2 |
| 6 | 704210-4-00 | 2 |
| 7 | 924045-0-00 | 1 |
| 8 | 924031-0-01 | 1 |
| 9 | 724442-2-00 | 1 |
| 10 | 924144-0-00 | 1 |
| 11 | 943765-0-01 | 1 |
| 12 | 924731-0-20 | 1 |
| 13 | 924032-0-00 | 1 |
| 14 | 701009-0-00 | 2 |
| 15 | 701003-0-00 | 1 |
| 16 | 924033-0-00 | 1 |
| 17 | 722070-2-00 | 2 |
| 18 | 733505-2-00 | 2 |
| 19 | 924687-0-20 | 1 |
| 20 | 703205-0-00 | 1 |

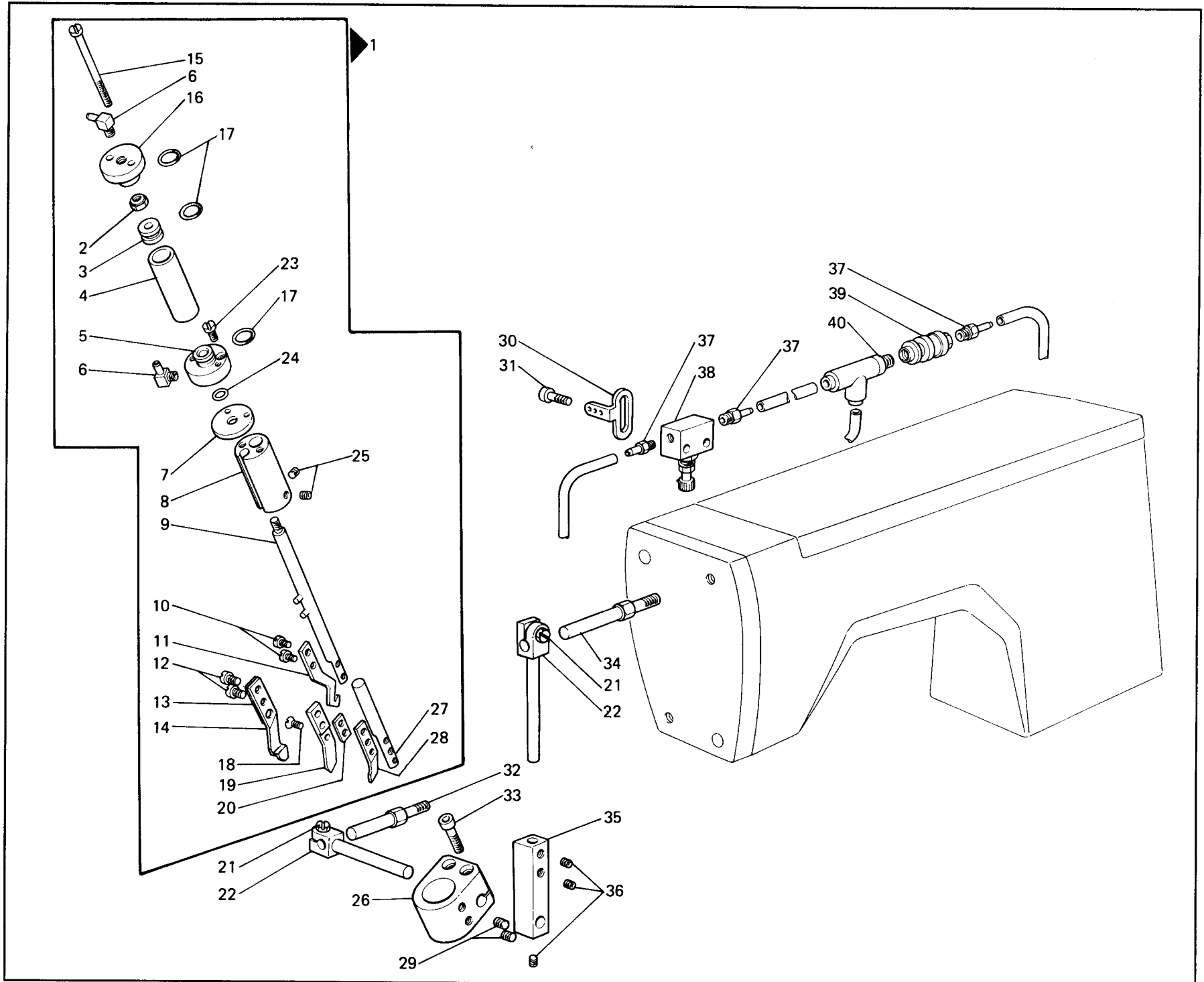


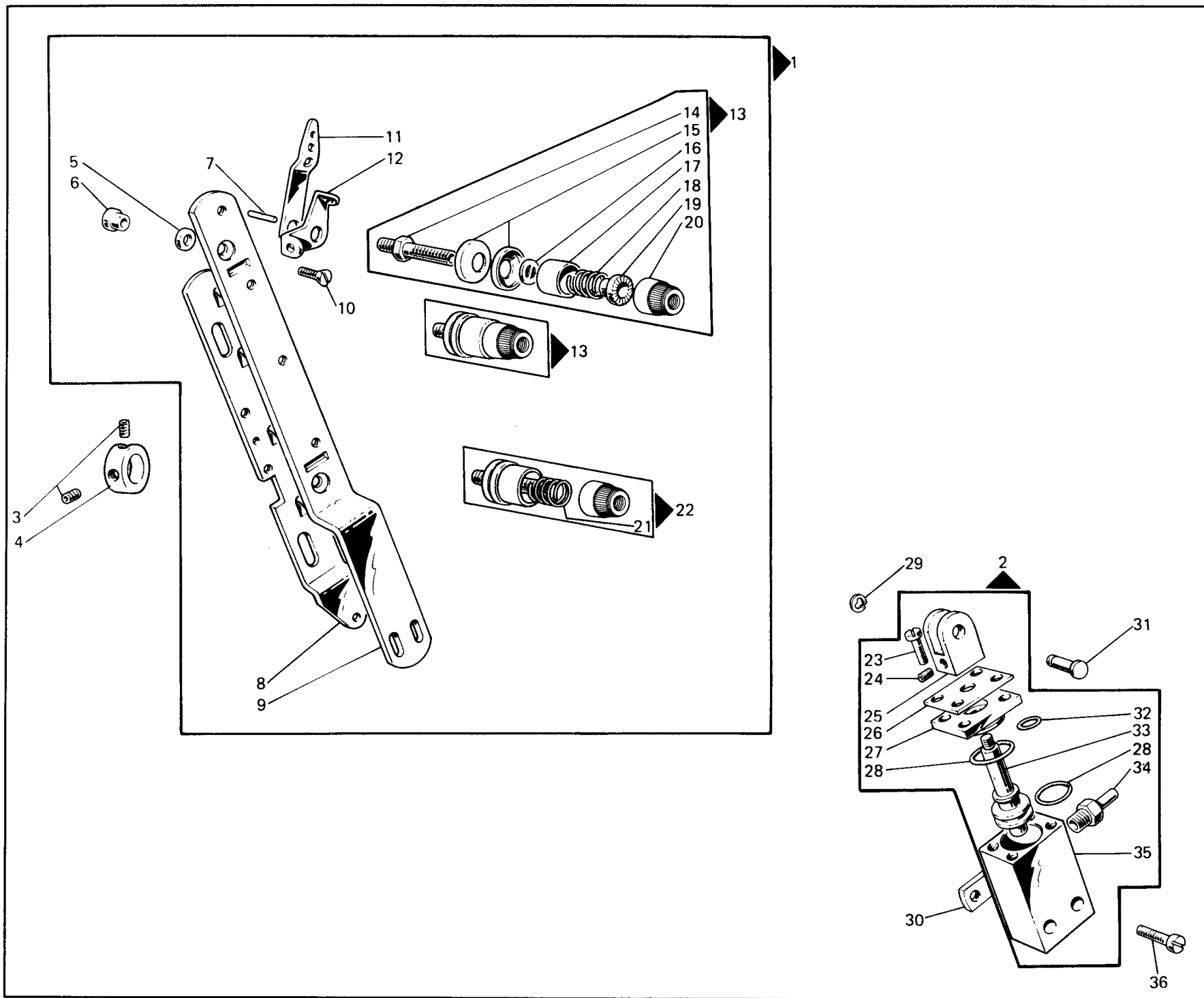


| Fig. N. | Part. N. Piece N. | Qt. |
|---------|-------------------|-----|
| 1 | 932218-4-00 | 1 |
| 2 | 924030-4-00 | 1 |
| 3 | 704210-4-00 | 2 |
| 4 | 741936-2-00 | 2 |
| 5 | 932215-0-00 | 1 |
| 6 | 720453-2-00 | 2 |
| 7 | 924031-0-01 | 1 |
| 8 | 924731-0-20 | 1 |
| 9 | 924032-0-00 | 1 |
| 10 | 701003-0-00 | 1 |
| 11 | 924033-0-00 | 1 |
| 12 | 722070-2-00 | 2 |
| 13 | 943765-0-01 | 1 |
| 14 | 924701-0-11 | 1 |
| 15 | 924039-0-00 | 1 |
| 16 | 924045-0-00 | 1 |
| 17 | 701009-0-00 | 2 |
| 18 | 733505-2-00 | 2 |
| 19 | 924485-0-10 | 1 |
| 20 | 924484-0-10 | 1 |

Rim® TAV. 7

| Fig. N. | Part. N. Piece N. | Qt. |
|---------|-------------------|-----|
| 1 | 932217-4-10 | 1 |
| 2 | 942787-0-00 | 1 |
| 3 | 932206-0-00 | 1 |
| 4 | 932201-0-00 | 1 |
| 5 | 932205-0-00 | 1 |
| 6 | 944821-0-00 | 2 |
| 7 | 932204-0-00 | 1 |
| 8 | 932202-0-00 | 1 |
| 9 | 932207-2-00 | 1 |
| 10 | 721412-2-00 | 2 |
| 11 | 932212-0-00 | 1 |
| 12 | 741675-2-00 | 2 |
| 13 | 932470-0-00 | 1 |
| 14 | 932214-0-10 | 1 |
| 15 | 721145-2-00 | 2 |
| 16 | 932203-0-00 | 1 |
| 17 | 701009-0-00 | 3 |
| 18 | 724420-5-00 | 1 |
| 19 | 932210-0-00 | 1 |
| 20 | 932216-0-10 | 1 |
| 21 | 740051-2-00 | 2 |
| 22 | 930432-2-10 | 2 |
| 23 | 722082-0-00 | 2 |
| 24 | 701005-0-00 | 1 |
| 25 | 745812-2-00 | 2 |
| 26 | 932209-2-00 | 1 |
| 27 | 932211-0-00 | 1 |
| 28 | 932213-0-10 | 1 |
| 29 | 729012-2-00 | 2 |
| 30 | 304243-0-10 | 1 |
| 31 | 722481-2-00 | 1 |
| 32 | 304107-0-10 | 1 |
| 33 | 722461-2-00 | 2 |
| 34 | 932228-0-00 | 1 |
| 35 | 932229-2-00 | 1 |
| 36 | 729013-2-00 | 3 |
| 37 | 944822-0-00 | 3 |
| 38 | 944446-0-00 | 1 |
| 39 | 932242-4-00 | 1 |
| 40 | 941522-4-00 | 1 |

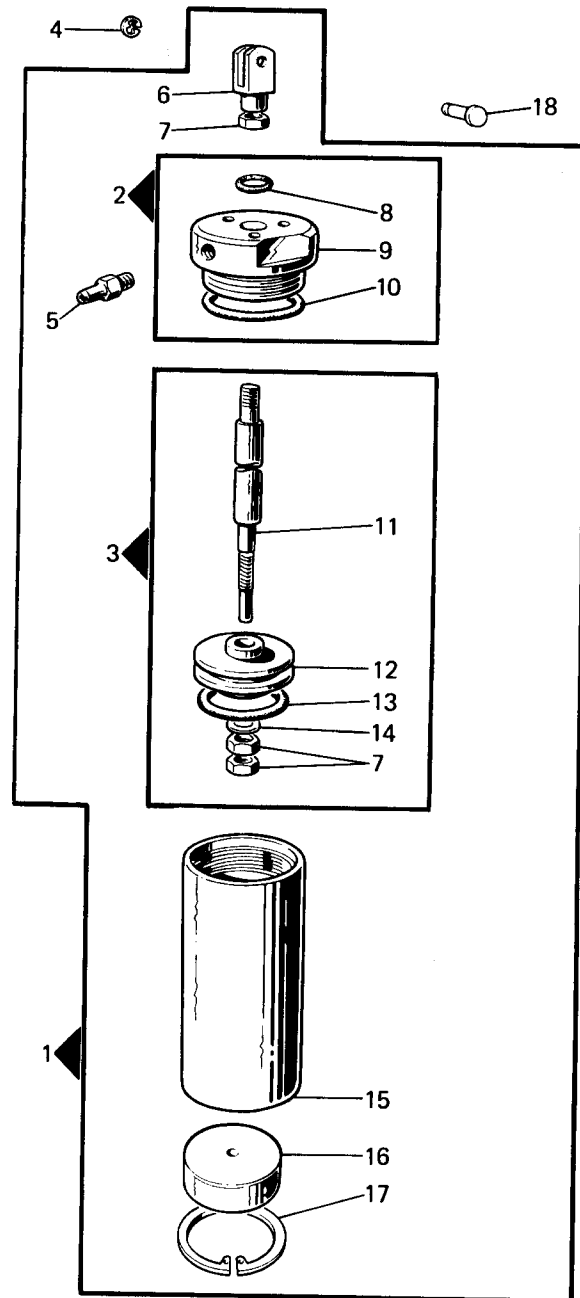


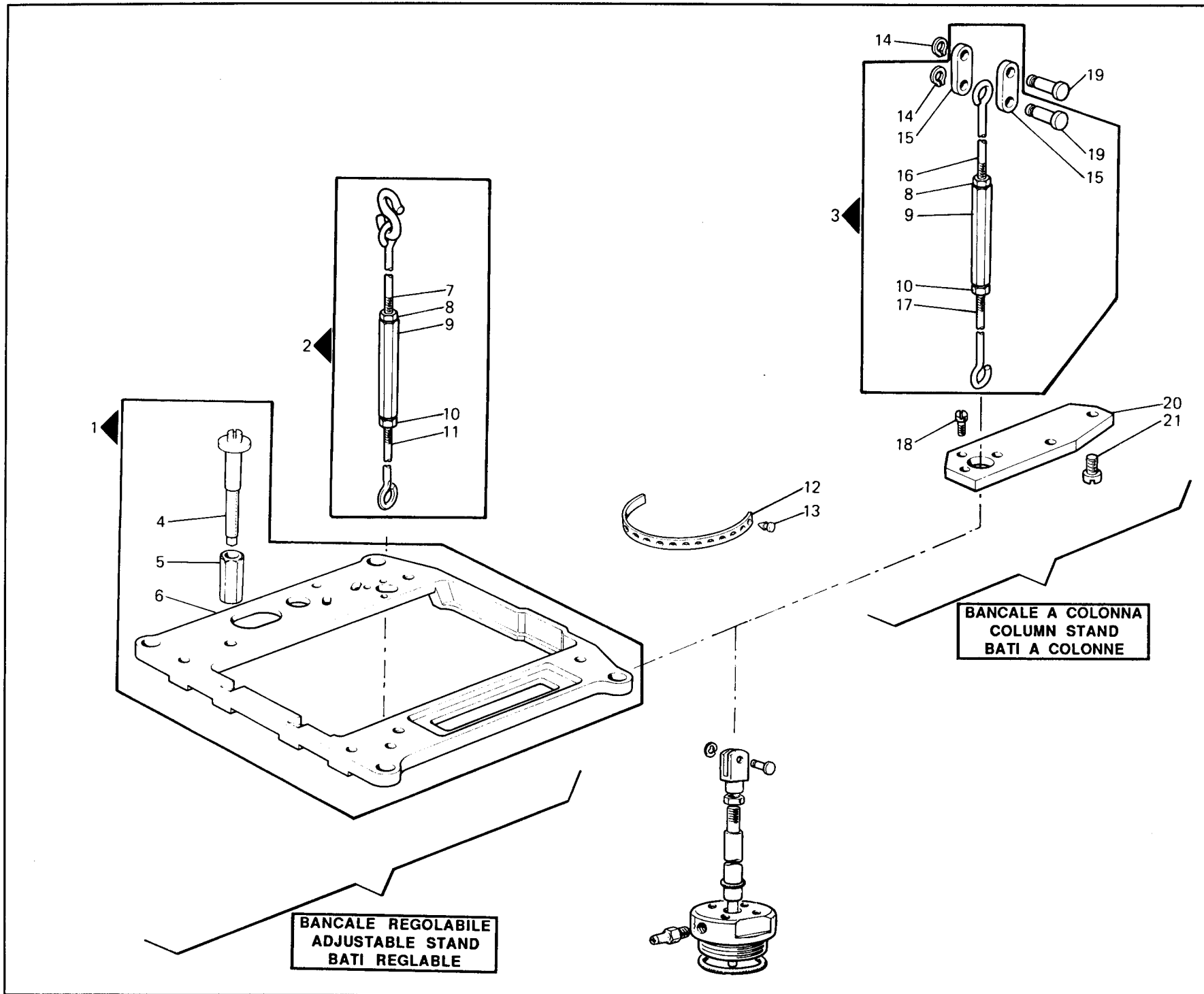


| Fig. N. | Part. N. Piece N. | Qt. |
|---------|-------------------|-----|
| 1 | 926661-4-00 | 1 |
| 2 | 924735-4-12 | 1 |
| 3 | 729012-2-00 | 2 |
| 4 | 302284-2-10 | 1 |
| 5 | 701405-0-00 | 2 |
| 6 | 308512-0-00 | 2 |
| 7 | 308506-0-00 | 3 |
| 8 | 926416-0-00 | 1 |
| 9 | 926657-0-00 | 1 |
| 10 | 744676-2-00 | 2 |
| 11 | 308501-0-01 | 3 |
| 12 | 308503-0-01 | 3 |
| 13 | 308518-4-00 | 2 |
| 14 | 308505-0-00 | 3 |
| 15 | 300218-0-10 | 6 |
| 16 | 308507-0-00 | 3 |
| 17 | 202556-0-01 | 3 |
| 18 | 200710-0-10 | 2 |
| 19 | 202229-0-11 | 3 |
| 20 | 202558-0-00 | 3 |
| 21 | 200714-0-10 | 1 |
| 22 | 308521-4-00 | 1 |
| 23 | 741495-0-00 | 4 |
| 24 | 745800-2-00 | 1 |
| 25 | 924739-0-10 | 1 |
| 26 | 924745-0-20 | 1 |
| 27 | 926669-4-01 | 1 |
| 28 | 701009-0-00 | 2 |
| 29 | 700205-0-00 | 1 |
| 30 | 924740-0-10 | 1 |
| 31 | 202100-0-10 | 1 |
| 32 | 701104-0-00 | 1 |
| 33 | 924738-4-21 | 1 |
| 34 | 924701-0-11 | 2 |
| 35 | 924734-0-20 | 1 |
| 36 | 721086-2-00 | 2 |

Rim® TAV. 9

| Fig. N. | Part. N. / Piece N. | Qt. |
|---------|---------------------|-----|
| 1 | 924185-4-00 | 1 |
| 2 | 924188-4-00 | 1 |
| 3 | 924186-4-00 | 1 |
| 4 | 700205-0-00 | 1 |
| 5 | 924797-0-10 | 1 |
| 6 | 990310-0-10 | 1 |
| 7 | 746402-2-00 | 3 |
| 8 | 701007-0-00 | 1 |
| 9 | 924189-0-00 | 1 |
| 10 | 701033-0-00 | 1 |
| 11 | 924808-0-10 | 1 |
| 12 | 924187-0-00 | 1 |
| 13 | 701121-0-00 | 1 |
| 14 | 704218-2-00 | 1 |
| 15 | 924190-0-00 | 1 |
| 16 | 924191-0-00 | 1 |
| 17 | 700124-0-00 | 1 |
| 18 | 990311-0-10 | 1 |

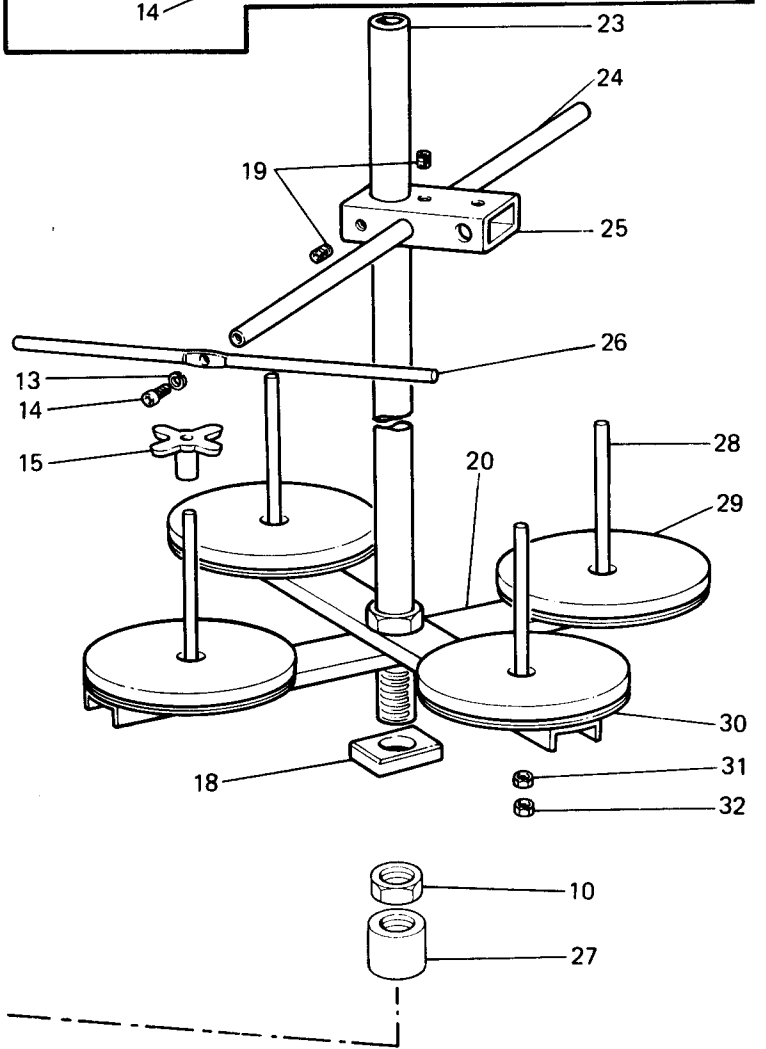
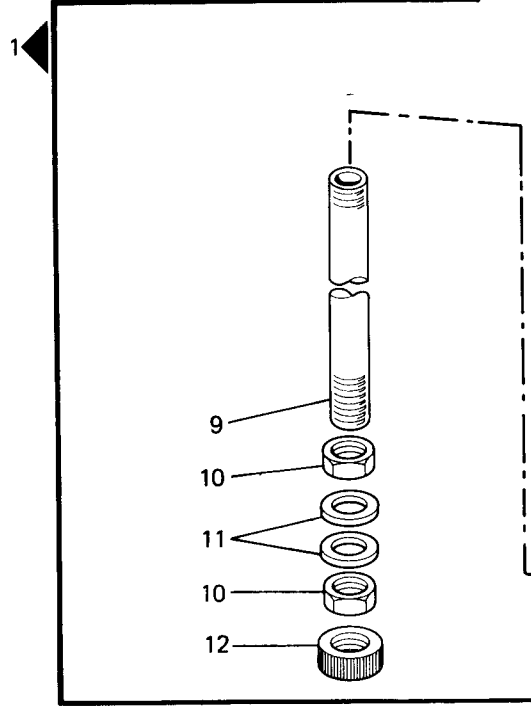
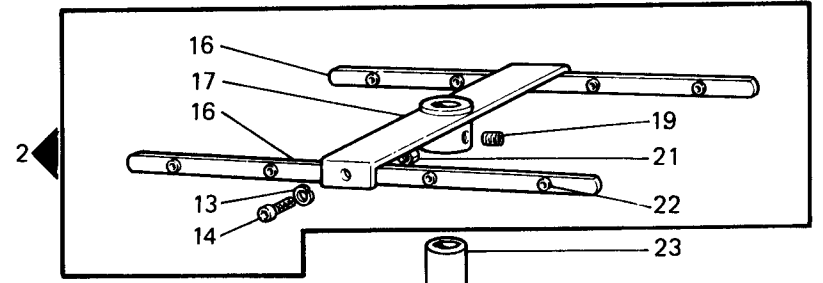
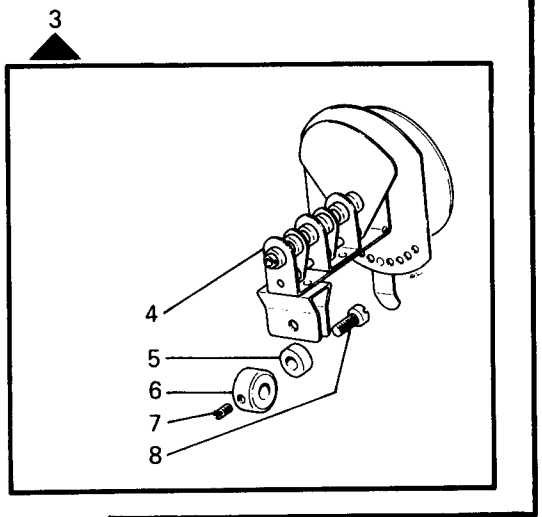




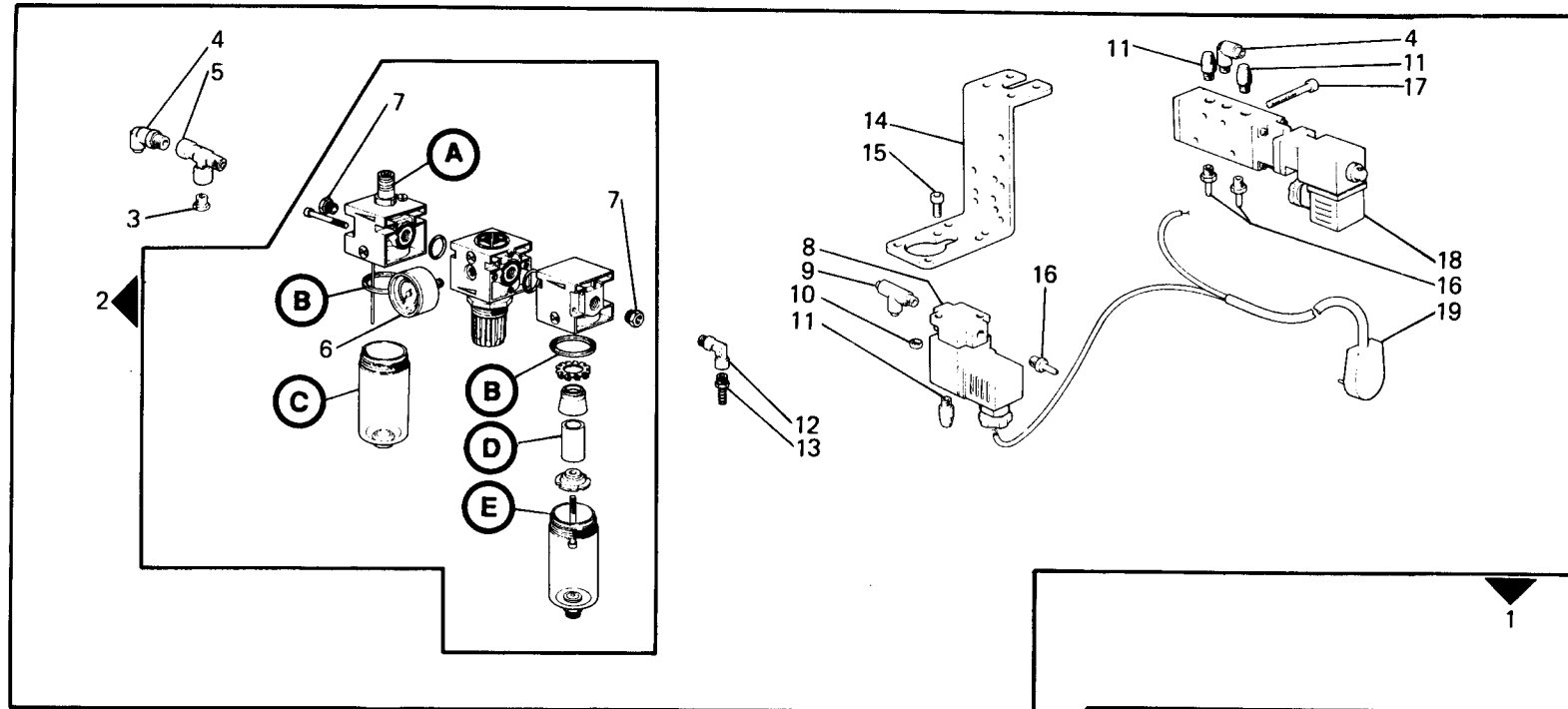
| Fig. N. | Part. N. Piece N. | Qt. |
|---------|-------------------|-----|
| 1 | 901228-4-00 | 1 |
| 2 | 901244-4-00 | 1 |
| 3 | 910214-4-11 | 1 |
| 4 | 901223-0-00 | 4 |
| 5 | 901224-0-00 | 4 |
| 6 | 901242-0-00 | 1 |
| 7 | 901217-2-00 | 1 |
| 8 | 733505-2-00 | 2 |
| 9 | 910190-0-10 | 2 |
| 10 | 746601-2-00 | 2 |
| 11 | 901243-0-00 | 1 |
| 12 | 990441-0-10 | 5 |
| 13 | 990442-0-10 | 5 |
| 14 | 700205-0-00 | 2 |
| 15 | 990765-0-00 | 2 |
| 16 | 910187-0-11 | 1 |
| 17 | 910213-0-10 | 1 |
| 18 | 721474-2-00 | 3 |
| 19 | 203211-0-10 | 2 |
| 20 | 990440-0-10 | 1 |
| 21 | 721484-2-00 | 2 |

Rim® TAV. 11

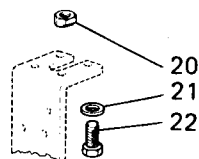
| Fig. N. | Part. N. Piece N. | Qt. |
|---------|-------------------|-----|
| 1 | 991155-5-02 | 1 |
| 2 | 991194-0-00 | 1 |
| 3 | 991158-4-00 | 4 |
| 4 | 990445-0-10 | 4 |
| 5 | 304257-0-10 | 4 |
| 6 | 991159-0-00 | 4 |
| 7 | 727014-2-00 | 4 |
| 8 | 741956-2-00 | 4 |
| 9 | 991267-0-00 | 1 |
| 10 | 733211-2-00 | 4 |
| 11 | 704017-2-00 | 2 |
| 12 | 991383-0-10 | 1 |
| 13 | 703005-0-00 | 3 |
| 14 | 722431-2-00 | 3 |
| 15 | 991134-0-00 | 4 |
| 16 | 991126-0-10 | 2 |
| 17 | 991247-2-00 | 1 |
| 18 | 991172-0-00 | 2 |
| 19 | 729034-2-00 | 3 |
| 20 | 991199-0-00 | 2 |
| 21 | 733505-2-00 | 2 |
| 22 | 991268-0-00 | 8 |
| 23 | 991206-0-00 | 1 |
| 24 | 991264-2-00 | 1 |
| 25 | 991279-2-00 | 1 |
| 26 | 991152-2-00 | 1 |
| 27 | 991219-0-00 | 1 |
| 28 | 991111-2-00 | 4 |
| 29 | 991179-0-01 | 4 |
| 30 | 991112-0-00 | 4 |
| 31 | 733508-2-00 | 4 |
| 32 | 925433-0-00 | 4 |



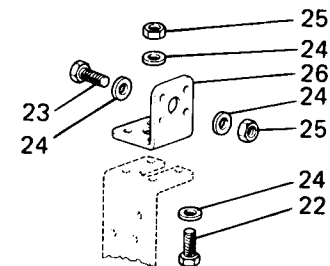
| | (A) | (B) | (C) | (D) | (E) |
|--|-------------|-------------|-------------|-------------|-------------|
| METALWORK COLORE ARANCIO ORANGE COLOUR COLEUR ORANGE | 924245-4-00 | 924233-0-00 | 924244-4-00 | 924238-0-00 | 924239-4-00 |
| STAMPOTECNICA COLORE NERO BLACK COLOUR COLEUR NOIRE | 925199-4-00 | 701133-0-00 | 925198-4-00 | 925196-0-00 | 925197-4-00 |



BANCALE REGOLABILE
ADJUSTABLE STAND
BATI REGLABLE
VERSTELLBARES GESTELL
BANCADA AJUSTABLE



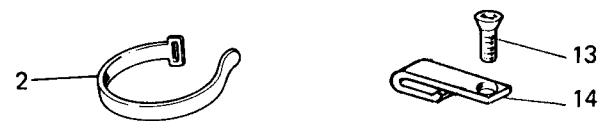
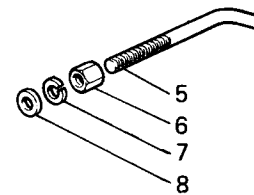
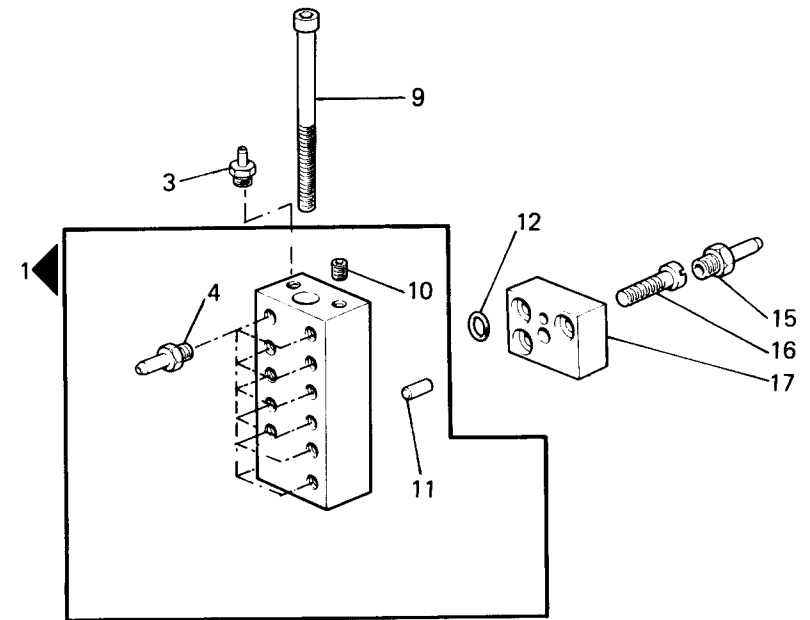
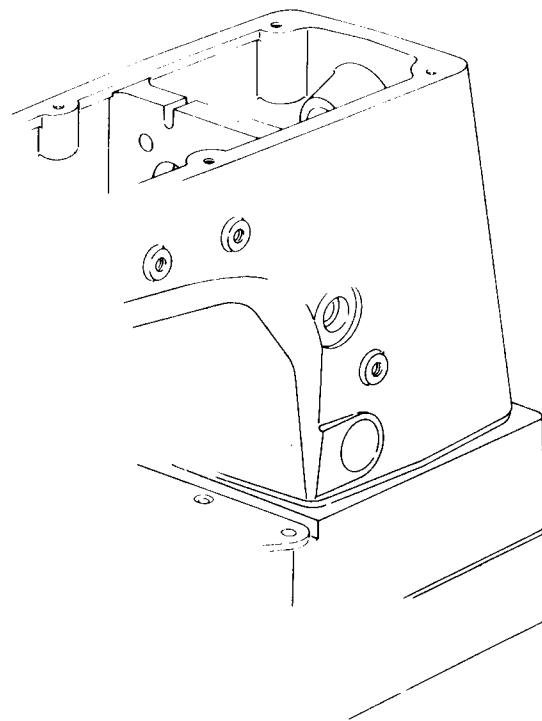
BANCALE A COLONNA
COLUMN STAND
BATI A COLONNE
SAEULENGESTELL
BANCADA A COLUMNA

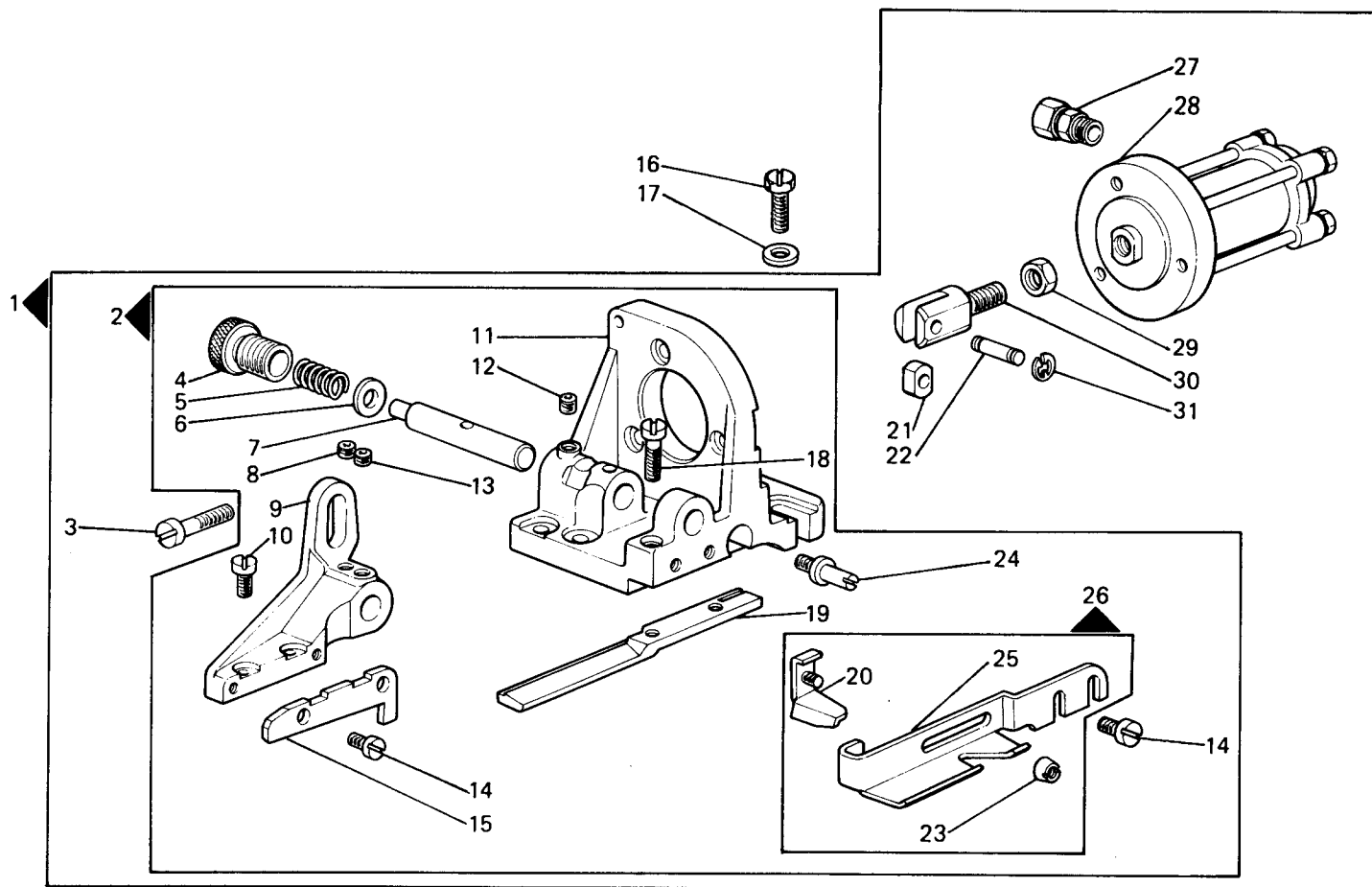


| Fig. N. | Part. N. Piece N. | Qt. |
|---------|-------------------|-----|
| 1 | 925233-4-00 | 1 |
| 2 | 925772-4-10 | 1 |
| 3 | 925779-0-00 | 1 |
| 4 | 941511-4-00 | 2 |
| 5 | 926305-0-00 | 1 |
| 6 | 922846-4-00 | 1 |
| 7 | 943202-0-00 | 2 |
| 8 | 925234-4-11 | 1 |
| 9 | 941524-4-00 | 1 |
| 10 | 733505-2-00 | 2 |
| 11 | 924851-0-10 | 3 |
| 12 | 923803-0-00 | 1 |
| 13 | 923804-0-00 | 1 |
| 14 | 925557-0-00 | 1 |
| 15 | 722421-2-00 | 2 |
| 16 | 924870-0-10 | 3 |
| 17 | 722511-2-00 | 2 |
| 18 | 929299-4-10 | 1 |
| 19 | 925242-4-00 | 1 |
| 20 | 902272-0-00 | 1 |
| 21 | 704011-4-00 | 1 |
| 22 | 720485-2-00 | 2 |
| 23 | 720525-2-00 | 1 |
| 24 | 704329-2-00 | 4 |
| 25 | 733006-2-00 | 2 |
| 26 | 925513-0-00 | 1 |

Rim® TAV. 13

| Fig. N. | Part. N. / Piece N. | Qt. |
|---------|---------------------|-----|
| 1 | 944764-2-00 | 1 |
| 2 | 920258-0-10 | 1 |
| 3 | 944822-0-00 | 1 |
| 4 | 924701-0-11 | 11 |
| 5 | 944795-0-00 | 1 |
| 6 | 704310-2-00 | 1 |
| 7 | 703007-0-00 | 1 |
| 8 | 733507-2-00 | 1 |
| 9 | 722573-2-00 | 1 |
| 10 | 729012-2-00 | 2 |
| 11 | 707221-0-00 | 2 |
| 12 | 701104-0-00 | 3 |
| 13 | 741620-2-00 | 1 |
| 14 | 924137-0-00 | 1 |
| 15 | 927655-0-00 | 3 |
| 16 | 722431-2-00 | 2 |
| 17 | 944794-2-00 | 1 |

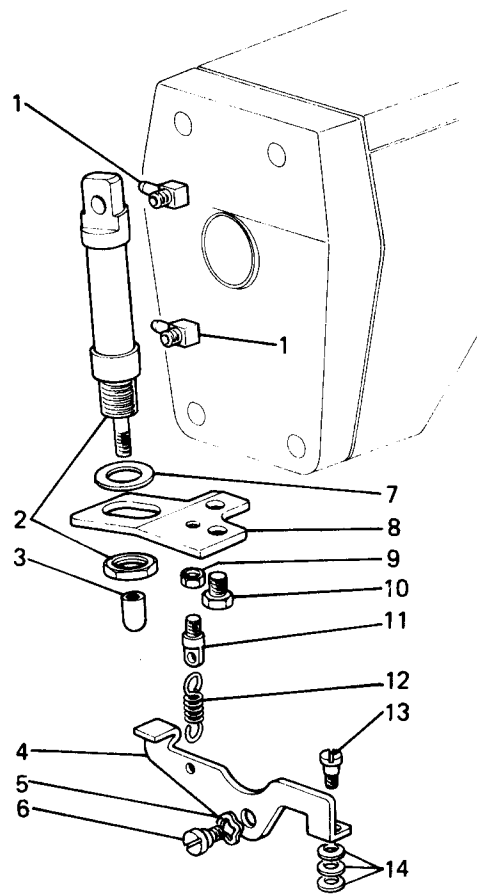


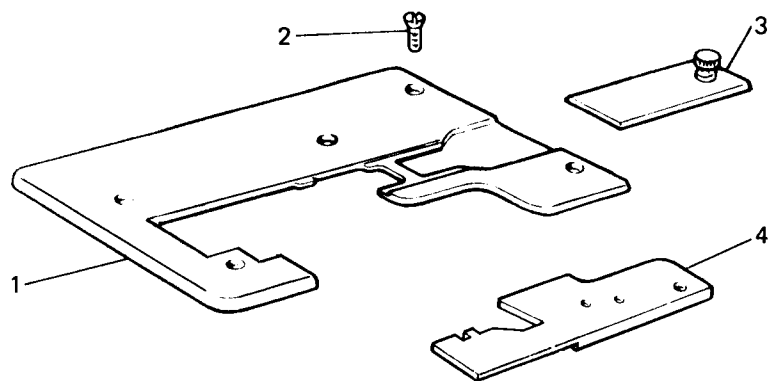


| Fig. N. | Part. N. Piece N. | Qt. |
|---------|-------------------|-----|
| 1 | 927690-4-01 | 1 |
| 2 | 921087-4-12 | 1 |
| 3 | 722084-2-00 | 3 |
| 4 | 921564-0-00 | 1 |
| 5 | 921097-0-10 | 1 |
| 6 | 704821-0-00 | 1 |
| 7 | 921094-0-10 | 1 |
| 8 | 730033-5-00 | 1 |
| 9 | 921086-0-11 | 1 |
| 10 | 721435-2-00 | 2 |
| 11 | 921090-0-12 | 1 |
| 12 | 202391-0-11 | 1 |
| 13 | 729023-5-00 | 1 |
| 14 | 742027-2-00 | 4 |
| 15 | 921754-0-11 | 1 |
| 16 | 740269-5-00 | 2 |
| 17 | 704424-2-00 | 2 |
| 18 | 741056-0-00 | 2 |
| 19 | 921756-0-12 | 1 |
| 20 | 921772-2-11 | 1 |
| 21 | 928627-0-01 | 1 |
| 22 | 921196-0-00 | 1 |
| 23 | 921778-0-00 | 1 |
| 24 | 921751-0-10 | 1 |
| 25 | 921764-0-12 | 1 |
| 26 | 921765-4-11 | 1 |
| 27 | 927682-4-00 | 2 |
| 28 | 927689-4-00 | 1 |
| 29 | 746414-2-00 | 1 |
| 30 | 921211-0-00 | 1 |
| 31 | 700207-0-00 | 2 |

Rim® TAV. 15

| Fig. N. | Part. N. Pezce N. | Qt. |
|---------|----------------------|-----|
| 1 | 943892-0-01 | 2 |
| 2 | 932314-0-00 | 1 |
| 3 | 932309-0-00 | 1 |
| 4 | 932306-0-00 | 1 |
| 5 | 307605-0-00 | 1 |
| 6 | 932307-0-00 | 1 |
| 7 | 704849-0-00 | 1 |
| 8 | 932305-0-00 | 1 |
| 9 | 733503-2-00 | 1 |
| 10 | 740051-2-00 | 2 |
| 11 | 206711-0-00 | 1 |
| 12 | 920746-0-00 | 1 |
| 13 | 932308-0-00 | 1 |
| 14 | 704102-2-00 | 3 |





A RICHIESTA
ON REQUEST
SUR DEMANDE
AUF ANFRAGE
BAJO PEDIDO

| Fig. N. | Part. N. Piece N. | Qt. |
|---------|-------------------|-----|
| 1 | 924121-2-00 | 1 |
| 2 | 744656-2-00 | 3 |
| 3 | 309314-2-00 | 1 |
| 4 | 924156-0-00 | 1 |
| 5 | 924544-0-00 | 1 |
| 6 | 305170-0-01 | 1 |

SOLO I PEZZI DI RICAMBIO ORIGINALI RIMOLDI MARCATI **Rim** GARANTISCONO EFFETTIVA INTERCAMBIABILITA' FUNZIONALITA', DURATA.

RIMOLDI ORIGINAL SPARE PARTS MARKED **Rim** ARE THE ONLY ONES WHICH GUARANTEE INTERCHANGEABILITY, FUNCTIONALITY, AND LONG MACHINE LIFE

EXCLUSIVEMENT LES PIECES DE RECHANGE ORIGINALES RIMOLDI MARQUEES **Rim** GARANTISSENT UNE INTERCHANGEABILITE, UN CARACTERE FONCTIONNEL, UNE DUREE EFFECTIFS.

NUR DIE MIT **Rim** MARKIERTEN RIMOLDI-ORIGINALERSATZTEILE GARANTIEREN EINE EFFEKTIVE AUSTAUSCHBARKEIT, ZWECKENTSPRECHENDHEIT, LEBENSDAUER.

SOLO EL EMPLEO EXCLUSIVO DE REPUESTOS RIMOLDI MARCADOS **Rim** ASEGURAN LA CALIDAD DE INTERCAMBIABILIDAD, LA FUNCIONALIDAD Y LA DURACION.

La Rimoldi S.r.l. si riserva il diritto di modificare o variare, per motivi di ordine tecnico o commerciale, i dati riportati nella presente pubblicazione.

Rimoldi S.r.l. reserves the right to modify or vary, for technical or commercial reasons, the information printed in this brochure.

Rimoldi S.r.l. se réserve le droit de modifier ou changer les données étaillées sur la présente publication pour tous motifs d'ordre technique ou commercial.

Rimoldi S.r.l. kann jederzeit aus technischen oder kommerziellen Gründen Änderungen an den in diesem Heft beschriebenen Erzeugnissen vornehmen.

Rimoldi S.r.l. se reserva el derecho de modificar o variar, por motivos técnicos o comerciales, los datos aquí publicados.

DIRITTI RISERVATI: Nessuna riproduzione è permessa senza previa autorizzazione scritta della Rimoldi S.r.l.

ALL RIGHTS RESERVED: Reproduction in whole or in part is forbidden unless expressly authorized in writing by Rimoldi S.r.l.

DROIT RESERVES: Toute reproduction est interdite sans autorisation préalable écrite de Rimoldi S.r.l.

DERECHOS RESERVADOS: Se prohíbe la reproducción total o parcial sin previa autorización escrita de Rimoldi S.r.l.

VORBEHALTENE RECHTE: Keinerlei Widergabe ist ohne vorausgehender schriftlicher Genehmigung seitens der Rimoldi S.r.l. gestattet.