

FLEXSYSTEM[®]
Vega

PL27-F015/C2-111

1a EDIZIONE - EDITION 3/93 **n. 611**

SOMMARIO - SUMMARY - SOMMAIRE - ZUSAMMENFASSUNG - SUMARIO

TAV.N. TAB.N.	DESCRIZIONE	DESCRIPTION	DESCRIPTION	BENNENUNG	DESCRIPCION
	UNITA' BASE	BASE UNIT	UNITE DE BASE	GRUENDLICHE EINHEIT	UNIDAD BASE
1	CARTER E PASSAFILI	COVERS AND THREAD GUIDES	CARTERS ET PASSE FILS	SCHUTZDECKEL U. FADENDURCHG.	TAPADERAS Y PASAHILOS
2	ALBERO PRINCIPALE	MAIN SHAFT	ARBRE PRINCIPAL	HAUPTWELLE	CIGÜENAL PRINCIPAL
3-4	COMANDO GRIFFE	FEED DOGS CONTROL	COMMANDE GRIFFES	TRANSPORTEURANTRIEB	MANDO DIENTES
5	PORTA CROCHET INFERIORE	LOWER LOOPER HOLDER	PORTE CROCHET INFERIEUR	UNTERE GREIFERTRAEGER	SOPORTE CROCHET INFERIOR
6	PORTA CROCHET SUPERIORE	UPPER LOOPER HOLDER	PORTE CROCHET SUPERIEUR	OBERE GREIFERTRAEGER	SOPORTE CROCHET SUPERIOR
7	BARRA AGO	NEEDLE BAR	BARRE AIGUILLE	NADELSTANGE	BARRA DE AGUJA
8	GRUPPO PREMISTOFFA	PRESSER ASSEMBLY	GROUPE PIED-PRESSEUR	STOFFDRUECKER	GRUPO PRENSATELA
9	PORTA COLTELLI	KNIVES HOLDER	PORTE COUTEAUX	MESSERTRAEGER	PORTA CUCHILLAS
10	LUBRIFICAZIONE	LUBRICATION	LUBRIFICATION	SCHMIERUNG	LUBRIFICACION
11	BACINELLA OLIO	OIL SUMP	RESERVOIR HUILE	OELWANNE	TANQUE ACEITE
12	TAVOLA	TABLE	TABLE	SCHNITT	MESA
13	PIAZZAMENTO NORMALE	NORMAL SETTING	PLACEMENT NORMAL	NORMALE AUFSTELLUNG	COLOCACION NORMAL
14	PIAZZAMENTO INCASSATO	SUBMERGED SETTING	PLACEMENT ENCASTRE	VERSENKTE AUFSTELLUNG	COLOCACION SUMERGIDA
15	PORTA BOBINE	BOBBIN CARRIER	PORTE BOBINES	GARNSTAENDER	PORTA CONOS
16	ACCESSORI	EQUIPMENT	ACCESSOIRES	ZUBEHOERE	ACCESORIOS
	INDICE	INDEX	SOMMAIRE	INDEX	INDICE
	GRUPPI DI COMPOSIZ.	COMPOSITION KITS	GROUPES DE KIT	KIT GRUPPEN	GRUPOS DE COMPOSICION
WFS-6A	ELETTRONICA	ELECTRONICS	ELECTRONIQUE	ELEKTRONIK	ELECTRONICA
WFS-6C	TENSIONI	TENSIONS	TENSIONS	SPANNUNG	TENDEHILOS
WFS-6D	DISPOSITIVI	DEVICES	DISPOSITIFS	VORRICHTUNGEN	DISPOSITIVOS
WFS-65	ATTREZZATURE VARIE	VARIOUS EQUIPMENT	EQUIPEMENT DIVERS	ANDERE BAUTEILE	EQUIPOS VARIOS
WFS-66	GINOCCHIELLI	KNEE PRESS	GENOUILLERES	KNIEHEBELN	RODILLERAS
WFS-68	CARTER	COVER	CARTER	CARTER	TAPADERAS
WFS-69	KIT DI CAMPIONATURA	SETTING KIT	KIT DE ECHANTILLONAGE	KIT PROBEENTNAHME	KIT DE MUESTRARIO

TABELLA PER COMPOSIZIONE PL - COMPOSITION TABLE OF PL

GRUPPI DI COMPOSIZIONE - COMPOSITION KITS							
PL27	UNITA' BASE BASE UNIT FLEXSYSTEM	GRUPPO ELETTRONICA ELECTRONICS ASSEMBLY	GRUPPO TENSIONI TENSIONS ASSEMBLY	GRUPPO DISPOSITIVI DEVICES ASSEMBLY	ATTREZ. VARIE VARIOUS EQUIPMENT	GRUPPO CARTER COVER ASSEMBLY	KIT CAMPIONATURA SETTING KIT
PL27-F015/C2-111	F27-FS-1CD-AC	WFS-6A-001-00-0	WFS-6C-001-00-0 WFS-6C-014-00-0	WFS-6D-001-A0-0 WFS-6D-001-C0-0 WFS-6D-001-S0-0 WFS-6D-002-A0-0	WFS-65-003-00-0 WFS-65-007-00-0	WFS-68-002-00-0	WFS-69-800-00-0

GRUPPI DI COMPOSIZIONE - COMPOSITION KITS - GROUPES DE KIT - KIT GRUPPEN - GRUPOS DE COMPOSICION

ELETTRONICA
ELECTRONICS
ELECTRONIQUES
ELEKTRONIK
ELECTRONICA

WFS-6A

1

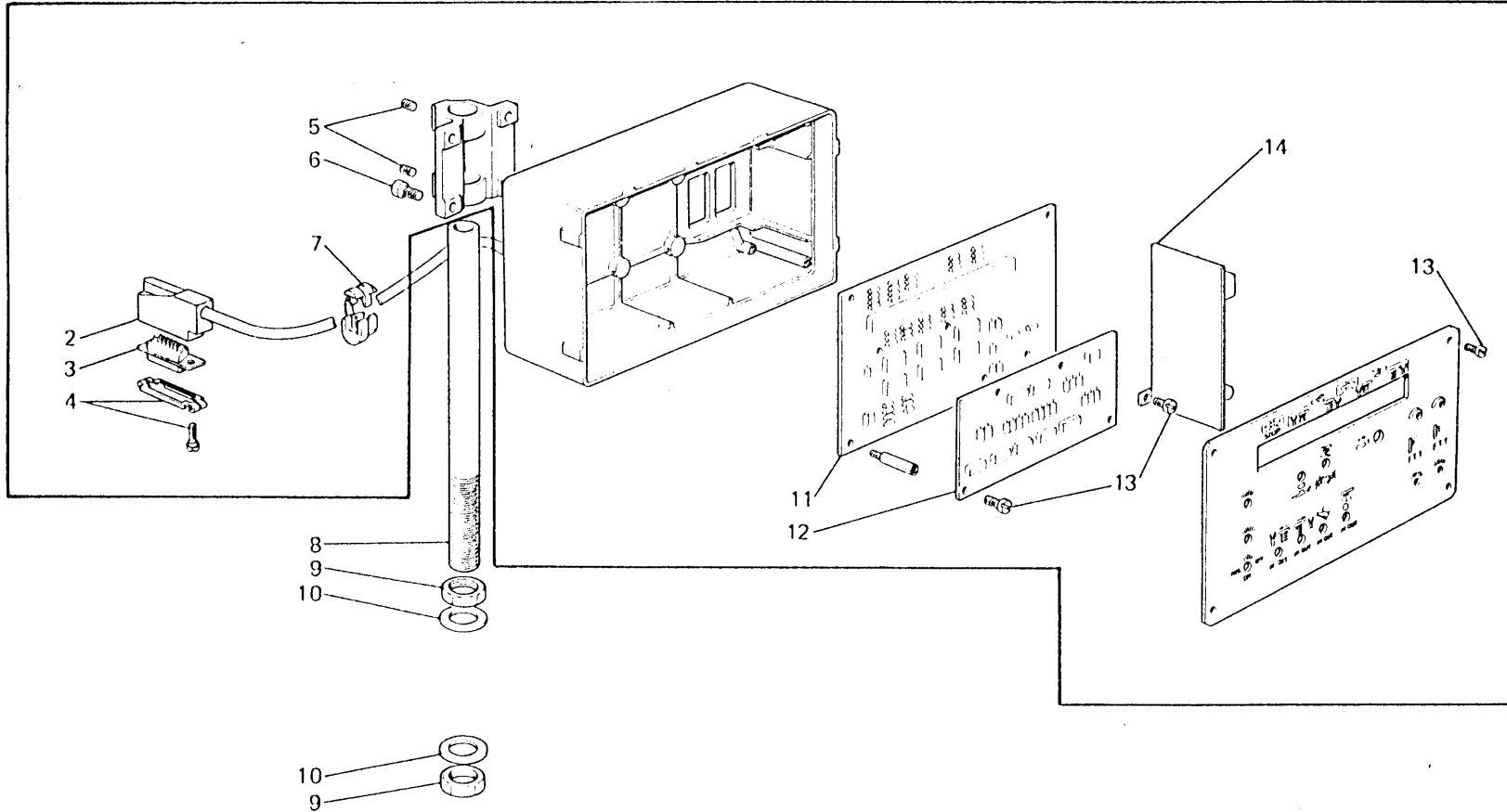


Fig. N.	Part. N. Piece N.	Qt.
1	800180-4-00	1
2	800274-0-00	1
3	800280-0-00	1
4	800277-0-00	1
5	745902-2-00	2
6	722422-2-00	4
7	800303-0-00	1
8	946290-0-00	1
9	733211-2-00	2
10	704017-2-00	2
11	800206-4-00	1
12	800226-4-00	1
13	741630-2-00	12
14	800200-4-00	1

SEGUE
FOLLOWS

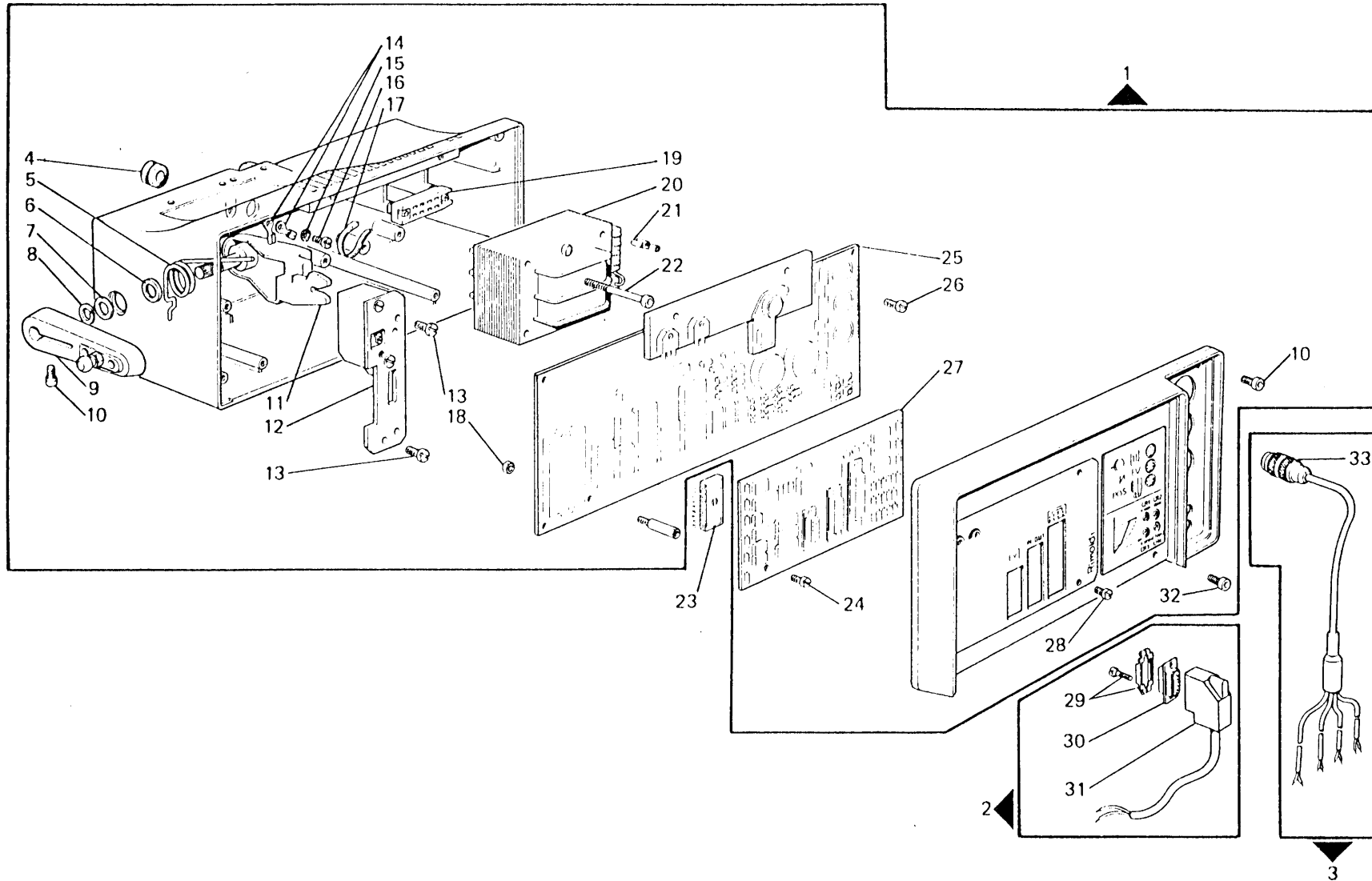


Fig. N.	Part. N. / Piece N.	Qt.
1	800520-4-00	1
2	800436-4-00	1
3	800437-4-10	1
4	923010-0-10	1
5	800116-0-00	1
6	704844-0-00	1
7	704841-0-00	1
8	700010-0-00	1
9	800132-2-00	1
10	722441-2-00	2
11	800129-2-00	1
12	800115-4-00	1
13	724462-2-00	2
14	910442-0-00	3
15	703305-0-00	1
16	741936-5-00	1
17	920258-0-10	1
18	926729-0-00	7
19	800319-0-00	1
20	800253-0-00	1
21	928007-0-00	4
22	722541-2-00	4
23	800368-0-00	1
24	741642-2-00	4
25	800500-4-00	1
26	722421-2-00	2
27	800510-4-00	1
28	741912-0-00	4
29	800275-0-00	1
30	800278-0-00	1
31	800272-0-00	1
32	722531-2-00	3
33	923694-0-00	1

SEGUE
FOLLOWS

3

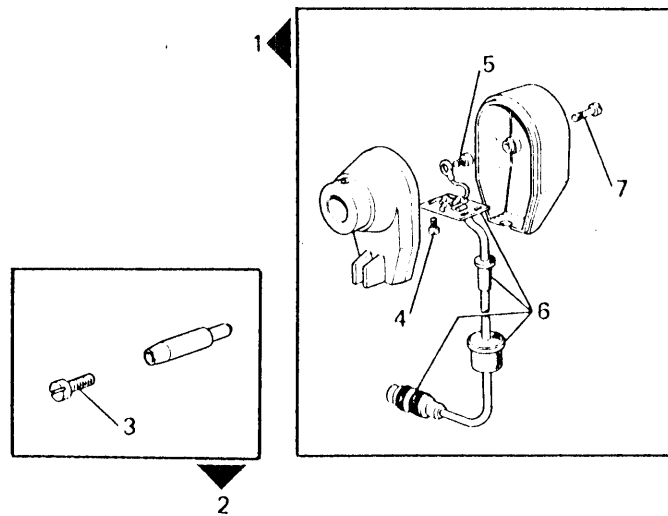


Fig. N.	Part. N. Piece N.	Qt.
1	800070-4-00	1
2	920493-2-00	1
3	721484-2-00	1
4	726401-4-00	4
5	726403-4-00	1
6	800088-4-00	1
7	800073-0-00	2

WFS-6D-001-A0-0

Rim®

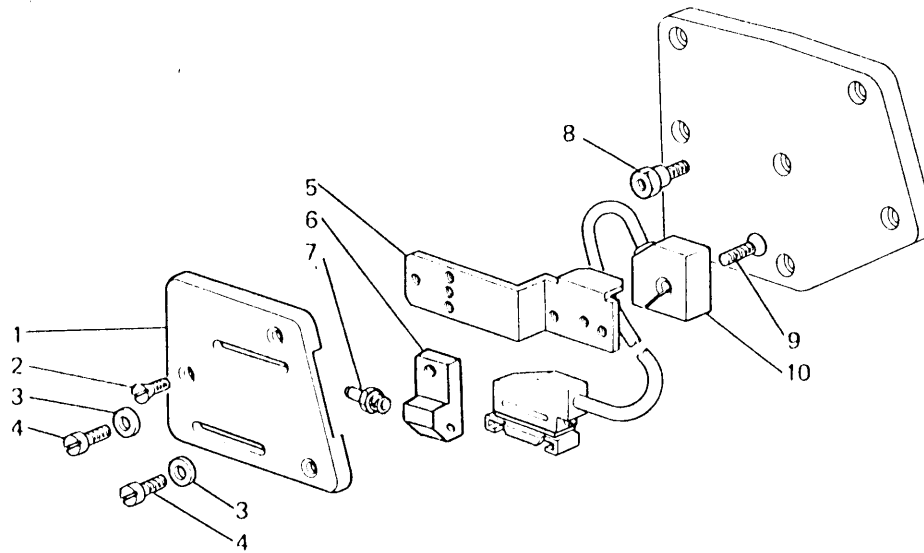


Fig. N.	Part. N. Piese N.	Qt.
1	933598-0-00	1
2	724420-2-00	3
3	704004-2-00	3
4	741658-2-00	3
5	933594-0-00	1
6	946333-0-00	1
7	924488-0-00	1
8	933596-0-00	3
9	725610-2-00	1
10	800438-4-10	1

WFS-6D-001-C0-0

Rim®

Rim®

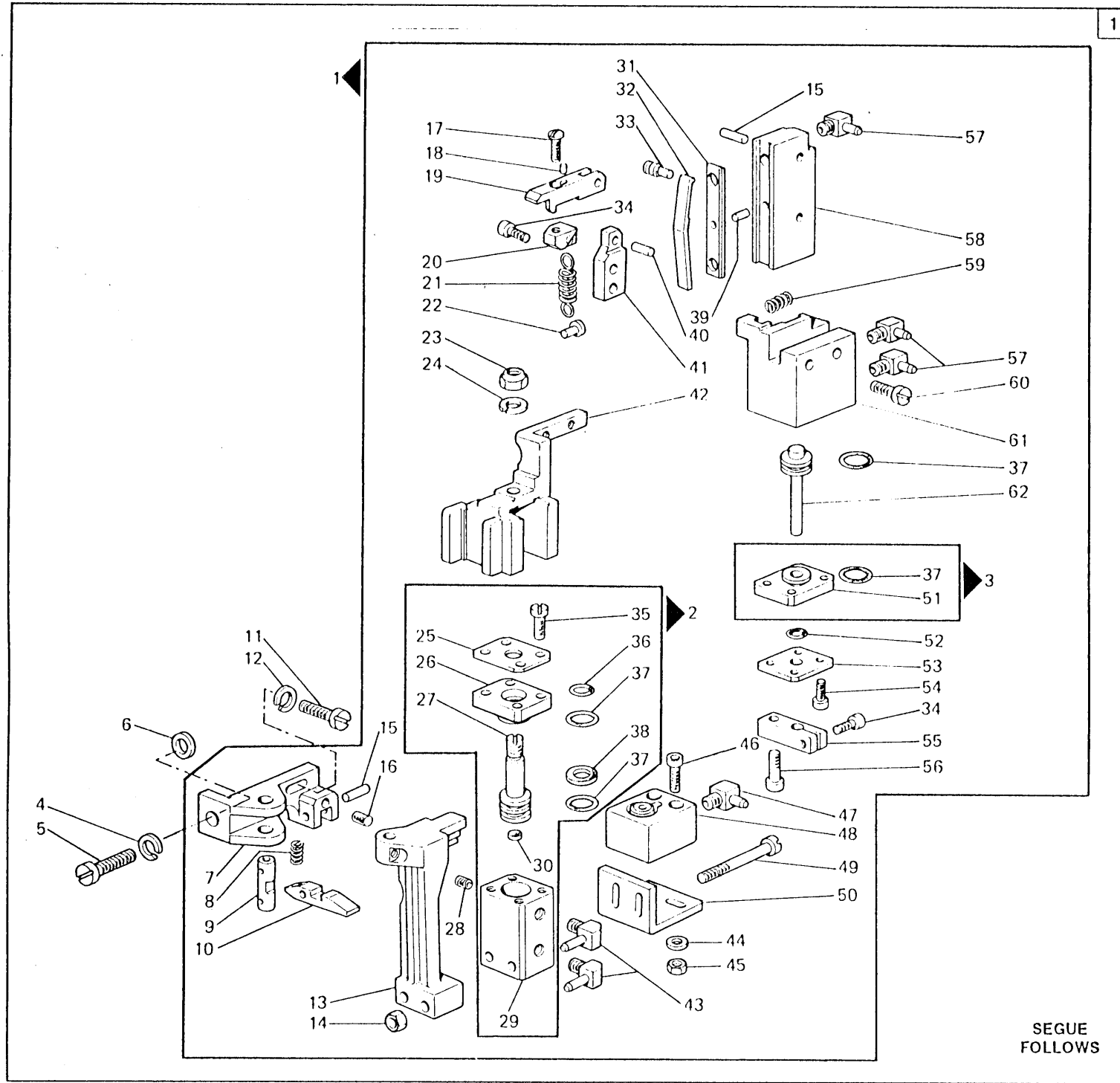


Fig. N.	Part. N. Piece N.	Qt.	Fig. N.	Part. N. Piece N.	Qt.
1	946088-4-00	1	54	721495-2-00	4
2	942010-4-00	1	55	944395-2-00	1
3	926669-4-01	1	56	722441-2-00	1
4	703005-2-00	1	57	925761-0-01	3
5	722073-2-00	1	58	944390-2-10	1
6	704306-2-00	1	59	202875-0-10	1
7	944397-0-01	1	60	722082-2-00	2
8	309621-0-00	1	61	944391-0-01	1
9	202154-0-12	1	62	944467-0-00	1
10	944399-0-01	1			
11	721473-2-00	1			
12	703004-0-00	1			
13	942017-0-00	1			
14	733806-2-00	2			
15	706242-0-00	2			
16	944376-0-00	1			
17	722080-2-00	1			
18	946061-0-00	1			
19	944394-2-10	1			
20	944465-0-00	1			
21	100534-0-10	1			
22	944396-0-00	1			
23	923943-0-00	1			
24	703007-0-00	1			
25	942013-0-00	1			
26	942014-0-00	1			
27	942015-0-00	1			
28	729011-2-00	1			
29	942011-0-00	1			
30	924045-0-00	1			
31	944392-0-00	1			
32	944422-0-00	1			
33	944466-0-00	1			
34	722400-2-00	3			
35	722070-2-00	4			
36	701005-0-00	1			
37	701009-0-00	4			
38	942012-0-00	1			
39	706412-0-00	1			
40	706222-0-00	1			
41	944408-0-10	1			
42	942016-0-00	1			
43	924457-0-00	2			
44	704004-0-00	2			
45	733503-2-00	2			
46	722460-2-00	2			
47	943892-0-01	1			
48	943906-0-00	1			
49	722163-2-00	2			
50	946087-0-00	1			
51	924736-0-21	1			
52	701104-0-00	1			
53	924745-0-20	1			