

Rimoldi[®] by **GF**[®]

QUALITY RECOGNIZED WORLDWIDE AT VERY COMPETITIVE PRICES

F63-34-3DR-23
CATALOGO PEZZI DI RICAMBIO
SPARE PARTS CATALOGUE

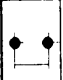
N 582/134



GUIDA PER LA CONSULTAZIONE DEL CATALOGO RICAMBI	GUIDELINES FOR THE USE OF SPARE PARTS CATALOGUE	GUIDE A LA CONSULTATION DU CATALOGUE PIÈCES DE RECHANGE	ANLEITUNG FÜR DIE BENUTZUNG DES ERSATZTEILKATALOGES	GUIA PARA LA CONSULTA DEL CATALOGO DE REPUESTOS
<p>Il catalogo pezzi di ricambio é costituito da due parti: la prima illustra i particolari comuni a tutte le teste; la seconda comprende i particolari specifici, riuniti in moduli.</p>	<p>The spare parts catalogue is made up of 2 sections: the first section illustrates the common parts to all heads; the second section comprises the specific ones, combined in modules.</p>	<p>Le catalogue se compose de deux parties: la première illustre les pièces communes à toutes les têtes; la seconde se réfère aux pièces spécifiques, réunies en modules.</p>	<p>Der Ersatzteilkatalog besteht aus 2 Teilen: im ersten sind die für jeden Grundnahkopf gleichen Teile eingetragen; im zweiten sind die spezifischen Teile zu finden, die Aufbaugruppen bilden.</p>	<p>El catálogo de repuestos está formado de dos partes: la primera ilustra los particulares comunes a todos los cabezales; la segunda comprende particulares específicos, agrupados en módulos.</p>
<p>La composizione della testa interessata si ottiene consultando la tabella "COMPOSIZIONE TESTE Sirio".</p>	<p>The head composition is obtained by consulting the table "COMPOSITION Sirio HEADS".</p>	<p>La composition de la tête intéressée s'obtient en consultant le tableau "COMPOSITION TETES Sirio".</p>	<p>Die Zusammenstellung des Nähkopfes erstelle man aufgrund der Tabelle "ZUSAMMENSTELLUNG DES Sirio-NÄHKOPFES"</p>	<p>La composición del cabezal deseado, se obtiene consultando la tabla "COMPOSICION CABEZAL Sirio".</p>
<p>I particolari che compongono un gruppo sono riquadrati; i sottogruppi, anch'essi riquadrati, sono inseriti nel gruppo di appartenenza.</p>	<p>The parts that are components of an assembly are represented within a square; the sub-assembly, also represented within a square, are included in the assembly they are part of.</p>	<p>Les pièces qui composent un groupe sont bordées; les sous-groupes eux mêmes bordés, sont insérés dans le groupe d'appartenance.</p>	<p>Alle Teile welche eine Teilegruppe bilden sind umrahmt; die Untergruppen, ebenfalls umrahmt, sind in der betreffenden Teilegruppe angeführt.</p>	<p>Los particulares que componen un grupo son encuadrados. Los subgrupos, aunque si son encuadrados, son inseridos en el grupo de pertenencia.</p>
<p>Tutti i particolari non fornibili scolti non vengono richiamati singolarmente, ma soltanto illustrati nel gruppo di appartenenza.</p>	<p>All the parts which are not supplyable separately, are not described one by one, but only illustrated in the belonging group.</p>	<p>Toutes les pièces qui ne peuvent pas être fournies séparément ne sont pas rappelées individuellement mais uniquement illustrées dans le groupe d'appartenance.</p>	<p>Die nicht los lieferbaren Teile sind nicht alleine sondern immer zusammen mit der Aufbaugruppe eingetragen.</p>	<p>Todos los particulares no suministrables sueltos no estan señados uno por uno, sino solamente ilustrados en el grupo al cual pertenecen.</p>
<p>Per facilitare la ricerca viene riportato l'indice numerico di tutti i particolari comuni a tutte le teste, illustrati nella prima parte del catalogo.</p>	<p>In order to find the pieces easily, a numerical index of the parts common to all heads is given in the first section of the catalogue.</p>	<p>Pour faciliter la recherche, dans la première partie du catalogue, on a reporté l'index numérique de toutes les pièces communes à toutes les têtes.</p>	<p>Zur Erleichterung des Aufsuchens wurde im Katalog ein Verzeichnis von allen im ersten Teil eingetragenen Teilen eingearbeitet.</p>	<p>Para facilitar el manejo figura un indice numerico de todos los particulares comunes a todos los cabezales, ilustrados en la primera parte del catalogo.</p>
<p>Per ordinare gli aghi, precisare il simbolo riportato in catalogo; in caso di dubbio allegare un ago campione o una bustina vuota.</p>	<p>When ordering needles, please specify catalogue symbol; if you have doubts, send a sample needle or an empty needle bag with your order.</p>	<p>Pour les commandes d'aiguilles, préciser le symbole indiqué sur le catalogue, en cas de doute joindre une aiguille échantillon ou un sachet vide.</p>	<p>Für Aufträge über Nähadeln ist die im Ersatzteilkatalog angeführte Teilenummer anzugeben; in Zweifelsfällen ist eine Nadel als Muster oder ein entsprechender leerer Nadelbrief beizulegen.</p>	<p>Por pedido de agujas, precisar el símbolo reproducido en el catálogo. En caso de duda, adjuntar un modelo o un sobre vacío.</p>

SOMMARIO - SUMMARY - SOMMAIRE - ZUSAMMENFASSUNG - SUMARIO

TAV.N. TAB.N.	DESCRIZIONE	DESCRIPTION	DESCRIPTION	BENENNUNG	DESCRIPCION
	TABELLA TESTE Sirio	COMPOSITION Sirio HEAD	TABLEAU TETE Sirio	TABELLE Sirio OBERTEILE	TABLA CABEZALES Sirio
	RIEPILOGO ORGANI CUCITURA	SEWING PARTS SUMMARY	RECAP. ORGANES DE COUTURE	NAEHEILE ZUSAMMENFASSUNG	RESUMEN ORGANOS DE COSTURA
	INDICE	INDEX	SOMMAIRE	INDEX	INDICE
	UNITA' BASE	BASE UNIT	UNITE DE BASE	GRUENDLICHE EINHEIT	UNIDAD BASE
1-1/1	BASE E BRACCIO	BASE AND ARM	BASE ET BRAS	GRUNDPLATTE UND ARM	BASE Y BRAZO
2	GRUPPO TENSIONI INFERIORE	LOWER TENSIONS ASSEMBLY	GROUPE TENSIONS INFERIEUR	SPANNUNGSEINHEIT UNTERFADEN	GRUPO TENDEHILOS INFERIOR
3	CARTER E COPERCHI	COVERS	CARTERS ET COUVERCLES	SCHUTZDECKEL UND DECKEL	TAPAS Y CUBIERTAS
4-4/1	ALBERO PRINCIPALE	MAIN SHAFT	ARBRE PRINCIPAL	AUPTWELLE	CIGÜEÑAL PRINCIPAL
5-5/1	COMANDO GRIFFE	FEED DOGS CONTROL	COMMANDE GRIFFES	TRANSPORTEURANTRIEB	MANDO DIENTES
6-6/1	COMANDO GRIFFE	FEED DOGS CONTROL	COMMANDE GRIFFES	TRANSPORTEURANTRIEB	MANDO DIENTES
7-7/1	PORTA CROCHET INFERIORE	LOWER LOOPER HOLDER	PORTE CROCHET INFERIEUR	UNTERE GREIFERTRAEGER	SOPORTE CROCHET INFERIOR
8	PORTA SPINGI ASOLA	NEEDLE GUARD SUPPORT	PORTE PARE-BOUCLE	VORDERE NADELSCHUTZTRAEGER	SOPORTE CONTROL OJAL
9	REGOLAPUNTO	STITCH ADJUSTER	REGLE-POINT	STICHSTELLER	AJUSTE DE PUNTADA
10-10/1	ALBERO SUP. E BARRA AGO	UPPER SHAFT AND NEEDLE BAR	ARBRE SUP. ET BARRE AIGUILLE	OBERWELLE UND NADELSTANGE	CIGÜEÑAL SUP. Y BARRA DE AGUJA
11-11/2	GRUPPO PREMISTOFFA	PRESSER ASSEMBLY	GROUPE PIED-PRESSEUR	STOFFDRUECKER	GRUPO PRENSATELA
12	LUBRIFICAZIONE	LUBRICATION	LUBRIFICATION	SCHMIERUNG	LUBRIFICACION
13	BACINELLA OLIO	OIL SUMP	RESERVOIR HUILE	OELWANNE	TANQUE ACEITE
14	ACCESSORI	EQUIPMENT	ACCESSOIRES	ZUBEHOERE	ACCESORIOS
15-15/1	PORTA BOBINE	BOBBIN CARRIER	PORTE BOBINES	GARNSTAENDER	PORTA CONOS
	GRUPPI DI COMPOSIZIONE	COMPOSITION KITS	GROUPES DE KIT	KIT GRUPPEN	GRUPOS DE COMPOSICION
WFS-1B	PIASTRA PORTA PLACCA	SUPPORTING PLATE	SUPPORT PORTE PLAQUE	STICHPLATTETRAEGER	PLANCHUELA PORTA PLACA
WFS-1C	TENSIONI	TENSIONS	TENSIONS	SPANNUNG	TENDEHILOS
WFS-01	PULLER	PULLER	PULLER	ABZUGSWALZEN	RODILLOS
WFS-03	RULLI	ROLLERS	ROULEAUX	DOSIERUNGSWALZE	RODILLOS
WFS-05	ATTREZZATURE VARIE	VARIOUS EQUIPMENT	EQUIPEMENT DIVERS	ANDERE BAUTEILE	EQUIPOS VARIOS
WFS-06	GRUPPO COMANDO	CONTROL ASSEMBLY	GROUPE COMMANDE	WALZENSTEUERUNG	GRUPO COMANDO
WFS-10	COPERTURA	COVERING	RECOUVREMENT	LEGEFADEN	COBERTURA
WFS-11	PULLER	PULLER	PULLER	ABZUGSWALZEN	RODILLOS
WFS-12	COLTELLI	KNIVES	COUTEAUX	MESSER	CUCHILLAS
WFS-14	RULLI	ROLLERS	ROULEAUX	DOSIERUNGSWALZE	RODILLOS
WFS-15	ATTREZZATURE VARIE	VARIOUS EQUIPMENT	EQUIPEMENT DIVERS	ANDERE BAUTEILE	EQUIPOS VARIOS
WFS-16	GRUPPO COMANDO	CONTROL ASSEMBLY	GROUPE COMMANDE	WALZENSTEUERUNG	GRUPO COMANDO
WFS-17	SALVA AGO	NEEDLE GUARD	PROTEGE AIGUILLE	NADELSCHUTZ	SALVA AGUJA
WFS-18	CARTER	COVER	CARTER	CARTER	TAPADERAS
WFS-19	KIT DI CAMPIONATURA	SETTING KIT	KIT DE ECHANTILLONAGE	KIT PROBEENTNAHME	KIT DE MUESTRARIO

Sirio		TABELLA PER COMPOSIZIONE TESTE - COMPOSITION TABLE OF HEADS										Sirio
GRUPPI DI COMPOSIZIONE - COMPOSITION KITS												
TESTA HEAD		UNITA' BASE BASE UNIT FLEXSYSTEM	PORTA PLACCA SUPPORTING PLATE WFS-	TENSIONI TENSIONS WFS-	COPERTURA COVERING WFS-	PULLER - RULLI PULLER - ROLLERS WFS-	SALVA AGO MOBILE REAR NEEDLE GUARD WFS-	ATTREZ. VAR. VARIOUS EQUIPMENT WFS-	GRUPPO COM. CONTROL ASSEMBLY WFS-	COLTELLI KNIVES WFS-	CARTER COVER WFS-	KIT CAMPION. SETTING KIT WFS-
F61-06-2MD-01	4,5	F61-FS-1MD-AA	1B-001-00-0	1C-001-00-0			*17-001-00-0	15-003-00-0 15-004-00-0			18-001-00-0 18-301-00-0 18-606-00-0	19-060-00-0
F61-10-2MD-08	4,5	F61-FS-1MD-AA	1B-001-00-0	1C-001-00-0			*17-001-00-0	15-003-00-0 15-004-00-0			18-001-00-0 18-301-00-0 18-601-00-0	19-020-00-0
F61-10-2MD-10	4,5	F61-FS-1MD-AA	1B-001-00-0	1C-001-00-0			*17-001-00-0	15-003-00-0 15-004-00-0			18-001-00-0 18-301-00-0 18-601-00-0	19-019-00-0
F61-10-2MD-11	4,5	F61-FS-1MD-AA	1B-001-00-0	1C-001-00-0			*17-001-00-0	15-003-00-0 15-004-00-0			18-001-00-0 18-301-00-0 18-601-00-0	19-024-00-0
F61-10-2MD-13	3,5	F61-FS-1MD-AA	1B-001-00-0	1C-001-00-0			*17-002-00-0	15-003-00-0 15-004-00-0			18-001-00-0 18-301-00-0 18-601-00-0	19-058-00-0
F61-10-2MD-14	3,5	F61-FS-1MD-AA	1B-001-00-0	1C-001-00-0			*17-002-00-0	15-003-00-0 15-004-00-0			18-001-00-0 18-301-00-0 18-601-00-0	19-021-00-0
F61-10-2MD-22	6	F61-FS-1MD-AA	1B-001-00-0	1C-001-00-0			*17-001-00-0	15-003-00-0 15-004-00-0			18-001-00-0 18-301-00-0 18-601-00-0	19-028-00-0
F61-10-2MD-31	4,5	F61-FS-1MD-AA	1B-001-00-0	1C-001-00-0			*17-001-00-0	15-003-00-0 15-004-00-0			18-001-00-0 18-301-00-0 18-601-00-0	19-023-00-0
F61-10-3MD-32	6	F61-FS-1MD-AA	1B-001-00-0	1C-001-00-0			*17-001-00-0	15-003-00-0 15-004-00-0			18-001-00-0 18-301-00-0 18-601-00-0	19-026-00-0
F61-11-2EK-01	4,5	F61-FS-1EK-AD	1B-001-00-0	1C-001-00-0		11-001-00-0 14-001-00-0	*17-001-00-0	15-003-00-0 15-005-00-0 15-006-00-0	06-001-00-0 16-001-00-0		18-005-00-0 18-303-00-0 18-608-00-0	19-043-00-0


* = A RICHIESTA - ON REQUEST - SUR DEMANDE - AUF ANFRAGE - CON SOLICITUD

Sirio

TABELLA PER COMPOSIZIONE TESTE - COMPOSITION TABLE OF HEADS

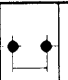
Sirio

GRUPPI DI COMPOSIZIONE - COMPOSITION KITS

TESTA HEAD		UNITA' BASE	PORTA PLACCA	TENSIONI	COPERTURA	PULLER - RULLI	SALVA AGO	ATTREZ. VAR.	GRUPPO COM.	COLTELLI	CARTER	KIT CAMPION.
		BASE UNIT	SUPPORTING PLATE	TENSIONS	COVERING	PULLER - ROLLERS	REAR NEEDLE GUARD	VARIOUS EQUIPMENT	CONTROL ASSEMBLY	KNIVES	COVER	SETTING KIT
		FLEXSYSTEM	WFS-	WFS-	WFS-	WFS-	WFS-	WFS-	WFS-	WFS-	WFS-	WFS-
F61-11-2EK-04	3,5	F61-FS-1EK-AD	1B-001-00-0	1C-001-00-0		11-001-00-0 14-001-00-0	*17-002-00-0	15-003-00-0 15-005-00-0 15-006-00-0	06-001-00-0 16-001-00-0		18-005-00-0 18-303-00-0 18-608-00-0	19-044-00-0
F61-16-2MD-02	4,5	F61-FS-1MD-AA	1B-001-00-0	1C-001-00-0			*17-001-00-0	15-001-00-0 15-003-00-0 15-004-00-0			18-002-00-0 18-301-00-0 18-602-00-0	19-011-00-0
F61-16-2MD-04	3,5	F61-FS-1MD-AA	1B-001-00-0	1C-001-00-0			*17-002-00-0	15-001-00-0 15-003-00-0 15-004-00-0			18-002-00-0 18-301-00-0 18-602-00-0	19-010-00-0
F61-16-3MD-01	6	F61-FS-1MD-AA	1B-001-00-0	1C-001-00-0			*17-001-00-0	15-001-00-0 15-003-00-0 15-004-00-0			18-002-00-0 18-301-00-0 18-602-00-0	19-047-00-0
F61-30-2MD-06	4,5	F61-FS-1MD-AA	1B-001-00-0	1C-001-00-0			*17-001-00-0	05-012-00-0 15-003-00-0 15-004-00-0			18-001-00-0 18-301-00-0 18-611-00-0	19-055-00-0
F61-30-2MR-21	3,5	F61-FS-1MD-AA	1B-001-00-0	1C-001-00-0				05-012-00-0 15-003-00-0		12-001-00-0	18-004-00-0 18-301-00-0 18-603-00-0	19-037-00-0
F61-30-2MR-32	3,5	F61-FS-1MD-AA	1B-001-00-0	1C-001-00-0				05-012-00-0 15-003-00-0		12-002-00-0	18-003-00-0 18-301-00-0 18-603-00-0	19-059-00-0
F61-30-3MR-18	6	F61-FS-1MD-AA	1B-001-00-0	1C-001-00-0				05-012-00-0 15-003-00-0		12-001-00-0	18-004-00-0 18-301-00-0 18-603-00-0	19-034-00-0
F61-34-2DR-25	3,5	F61-FS-1MD-AA	1B-001-00-0	1C-001-00-0		03-001-00-0		05-004-00-0 15-003-00-0	06-001-00-0	12-001-00-0	18-004-00-0 18-301-00-0 18-603-00-0	19-031-00-0
F61-34-2DR-43	3	F61-FS-1MD-AA	1B-001-00-0	1C-001-00-0		03-001-00-0		05-004-00-0 15-003-00-0	06-001-00-0	12-001-00-0	18-004-00-0 18-301-00-0 18-603-00-0	19-042-00-0

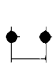
* = A RICHIESTA - ON REQUEST - SUR DEMANDE - AUF ANFRAGE - CON SOLICITUD

GRUPPI DI COMPOSIZIONE - COMPOSITION KITS

TESTA HEAD		UNITA' BASE BASE UNIT	PORTA PLACCA SUPPORTING PLATE	TENSIONI TENSIONS	COPERTURA COVERING	PULLER - RULLI PULLER - ROLLERS	SALVA AGO MOBILE REAR NEEDLE GUARD	ATTREZ. VAR. VARIOUS EQUIPMENT	GRUPPO COM. CONTROL ASSEMBLY	COLTELLI KNIVES	CARTER COVER	KIT CAMPION. SETTING KIT
		FLEXSYSTEM	WFS-	WFS-	WFS-	WFS-	WFS-	WFS-	WFS-	WFS-	WFS-	WFS-
F61-34-2MR-25	3,5	F61-FS-1MD-AA	1B-001-00-0	1C-001-00-0				05-004-00-0 15-003-00-0 15-007-00-0		12-001-00-0	18-004-00-0 18-301-00-0 18-603-00-0	19-053-00-0
F61-34-2MR-26	4,5	F61-FS-1MD-AA	1B-001-00-0	1C-001-00-0				05-004-00-0 15-003-00-0 15-007-00-0		12-001-00-0	18-004-00-0 18-301-00-0 18-603-00-0	19-052-00-0
F61-34-2MR-43	3	F61-FS-1MD-AA	1B-001-00-0	1C-001-00-0				05-004-00-0 15-003-00-0 15-007-00-0		12-001-00-0	18-004-00-0 18-301-00-0 18-603-00-0	19-054-00-0
F61-34-3DR-18	6	F61-FS-1MD-AA	1B-001-00-0	1C-001-00-0		03-001-00-0		15-002-00-0 15-003-00-0	06-001-00-0	12-001-00-0	18-004-00-0 18-301-00-0 18-603-00-0	19-033-00-0
F63-06-3MD-02	6	F61-FS-1MD-AA	1B-001-00-0	1C-001-00-0	10-001-00-0		*17-001-00-0	15-003-00-0 15-004-00-0			18-001-00-0 18-301-00-0 18-606-00-0	19-005-00-0
F63-10-2MD-04	3,5	F61-FS-1MD-AA	1B-001-00-0	1C-001-00-0	10-001-00-0		*17-002-00-0	15-003-00-0 15-004-00-0			18-001-00-0 18-301-00-0 18-601-00-0	19-025-00-0
F63-10-2MD-05	4,5	F61-FS-1MD-AA	1B-001-00-0	1C-001-00-0	10-001-00-0		*17-001-00-0	15-003-00-0 15-004-00-0			18-001-00-0 18-301-00-0 18-601-00-0	19-027-00-0
F63-10-3MD-02	6	F61-FS-1MD-AA	1B-001-00-0	1C-001-00-0	10-001-00-0		*17-001-00-0	15-003-00-0 15-004-00-0			18-001-00-0 18-301-00-0 18-601-00-0	19-022-00-0
F63-16-2MD-01	3,5	F61-FS-1MD-AA	1B-001-00-0	1C-001-00-0	10-001-00-0		*17-002-00-0	15-001-00-0 15-003-00-0 15-004-00-0			18-002-00-0 18-301-00-0 18-602-00-0	19-006-00-0
F63-16-2MD-03	4,5	F61-FS-1MD-AA	1B-003-00-0	1C-001-00-0	10-001-00-0		*17-001-00-0	15-003-00-0 15-004-00-0			18-002-00-0 18-301-00-0 18-610-00-0	19-048-00-0

* = A RICHIESTA - ON REQUEST - SUR DEMANDE - AUF ANFRAGE - CON SOLICITUD

GRUPPI DI COMPOSIZIONE - COMPOSITION KITS

TESTA HEAD		UNITA' BASE BASE UNIT FLEXSYSTEM	PORTA PLACCA SUPPORTING PLATE WFS-	TENSIONI TENSIONS WFS-	COPERTURA COVERING WFS-	PULLER - RULLI PULLER - ROLLERS WFS-	SALVA AGO MOBILE REAR NEEDLE GUARD WFS-	ATTREZ. VAR. VARIOUS EQUIPMENT WFS-	GRUPPO COM. CONTROL ASSEMBLY WFS-	COLTELLI KNIVES WFS-	CARTER COVER WFS-	KIT CAMPION. SETTING KIT WFS-
F63-16-2MD-10	4,5	F61-FS-1MD-AA	1B-001-00-0	1C-001-00-0	10-001-00-0		*17-001-00-0	15-001-00-0 15-003-00-0 15-004-00-0			18-002-00-0 18-301-00-0 18-602-00-0	19-029-00-0
F63-16-3MD-04	4,5	F61-FS-1MD-AA	1B-001-00-0	1C-001-00-0	10-001-00-0		*17-001-00-0	15-001-00-0 15-003-00-0 15-004-00-0			18-002-00-0 18-301-00-0 18-602-00-0	19-030-00-0
F63-16-3MD-08	6	F61-FS-1MD-AA	1B-001-00-0	1C-001-00-0	10-001-00-0		*17-001-00-0	15-001-00-0 15-003-00-0 15-004-00-0			18-002-00-0 18-301-00-0 18-602-00-0	19-002-00-0
F63-30-2MR-09	3,5	F61-FS-1MD-AA	1B-001-00-0	1C-001-00-0	10-001-00-0			05-012-00-0 15-003-00-0		12-002-00-0	18-003-00-0 18-301-00-0 18-603-00-0	19-015-00-0
F63-30-2MR-10	2,5	F61-FS-1MD-AA	1B-001-00-0	1C-001-00-0	10-001-00-0			05-012-00-0 15-003-00-0		12-002-00-0	18-003-00-0 18-301-00-0 18-603-00-0	19-016-00-0
F63-30-2MR-12	3,5	F61-FS-1MD-AA	1B-001-00-0	1C-001-00-0	10-001-00-0			05-012-00-0 15-003-00-0		12-001-00-0	18-004-00-0 18-301-00-0 18-603-00-0	19-014-00-0
F63-30-2MR-23	4,5	F61-FS-1MD-AA	1B-001-00-0	1C-001-00-0	10-001-00-0			05-012-00-0 15-003-00-0		12-001-00-0	18-004-00-0 18-301-00-0 18-603-00-0	19-017-00-0
F63-30-2MR-31	4,5	F61-FS-1MD-AA	1B-001-00-0	1C-001-00-0	10-001-00-0			05-012-00-0 15-003-00-0		12-002-00-0	18-003-00-0 18-301-00-0 18-603-00-0	19-018-00-0
F63-30-3MR-17	6	F61-FS-1MD-AA	1B-001-00-0	1C-001-00-0	10-001-00-0			05-012-00-0 15-003-00-0		12-001-00-0	18-004-00-0 18-301-00-0 18-603-00-0	19-036-00-0
F63-30-3MR-42	6	F61-FS-1MD-AA	1B-001-00-0	1C-001-00-0	10-001-00-0			05-012-00-0 15-003-00-0		12-002-00-0	18-003-00-0 18-301-00-0 18-603-00-0	19-038-00-0

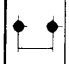
* = A RICHIESTA - ON REQUEST - SUR DEMANDE - AUF ANFRAGE - CON SOLICITUD

Sirio

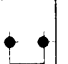
TABELLA PER COMPOSIZIONE TESTE - COMPOSITION TABLE OF HEADS

Sirio

GRUPPI DI COMPOSIZIONE - COMPOSITION KITS


TESTA HEAD		UNITA' BASE BASE UNIT FLEXSYSTEM	PORTA PLACCA SUPPORTING PLATE WFS-	TENSIONI TENSIONS WFS-	COPERTURA COVERING WFS-	PULLER - RULLI PULLER - ROLLERS WFS-	SALVA AGO MOBILE REAR NEEDLE GUARD WFS-	ATTREZ. VAR. VARIOUS EQUIPMENT WFS-	GRUPPO COM. CONTROL ASSEMBLY WFS-	COLTELLI KNIVES WFS-	CARTER COVER WFS-	KIT CAMPION. SETTING KIT WFS-
F63-16-2MD-10	4,5	F61-FS-1MD-AA	1B-001-00-0	1C-001-00-0	10-001-00-0		*17-001-00-0	15-001-00-0 15-003-00-0 15-004-00-0			18-002-00-0 18-301-00-0 18-602-00-0	19-029-00-0
F63-16-3MD-04	4,5	F61-FS-1MD-AA	1B-001-00-0	1C-001-00-0	10-001-00-0		*17-001-00-0	15-001-00-0 15-003-00-0 15-004-00-0			18-002-00-0 18-301-00-0 18-602-00-0	19-030-00-0
F63-16-3MD-08	6	F61-FS-1MD-AA	1B-001-00-0	1C-001-00-0	10-001-00-0		*17-001-00-0	15-001-00-0 15-003-00-0 15-004-00-0			18-002-00-0 18-301-00-0 18-602-00-0	19-002-00-0
F63-30-2MR-09	3,5	F61-FS-1MD-AA	1B-001-00-0	1C-001-00-0	10-001-00-0			05-012-00-0 15-003-00-0		12-002-00-0	18-003-00-0 18-301-00-0 18-603-00-0	19-015-00-0
F63-30-2MR-10	2,5	F61-FS-1MD-AA	1B-001-00-0	1C-001-00-0	10-001-00-0			05-012-00-0 15-003-00-0		12-002-00-0	18-003-00-0 18-301-00-0 18-603-00-0	19-016-00-0
F63-30-2MR-12	3,5	F61-FS-1MD-AA	1B-001-00-0	1C-001-00-0	10-001-00-0			05-012-00-0 15-003-00-0		12-001-00-0	18-004-00-0 18-301-00-0 18-603-00-0	19-014-00-0
F63-30-2MR-23	4,5	F61-FS-1MD-AA	1B-001-00-0	1C-001-00-0	10-001-00-0			05-012-00-0 15-003-00-0		12-001-00-0	18-004-00-0 18-301-00-0 18-603-00-0	19-017-00-0
F63-30-2MR-31	4,5	F61-FS-1MD-AA	1B-001-00-0	1C-001-00-0	10-001-00-0			05-012-00-0 15-003-00-0		12-002-00-0	18-003-00-0 18-301-00-0 18-603-00-0	19-018-00-0
F63-30-3MR-17	6	F61-FS-1MD-AA	1B-001-00-0	1C-001-00-0	10-001-00-0			05-012-00-0 15-003-00-0		12-001-00-0	18-004-00-0 18-301-00-0 18-603-00-0	19-036-00-0
F63-30-3MR-42	6	F61-FS-1MD-AA	1B-001-00-0	1C-001-00-0	10-001-00-0			05-012-00-0 15-003-00-0		12-002-00-0	18-003-00-0 18-301-00-0 18-603-00-0	19-038-00-0

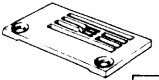


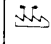

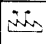
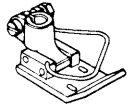
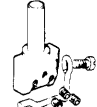



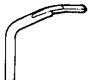

* = A RICHIESTA - ON REQUEST - SUR DEMANDE - AUF ANFRAGE - CON SOLICITUD

Sirio		TABELLA PER COMPOSIZIONE TESTE - COMPOSITION TABLE OF HEADS										Sirio
GRUPPI DI COMPOSIZIONE - COMPOSITION KITS												
TESTA HEAD		UNITA' BASE BASE UNIT FLEXSYSTEM	PORTA PLACCA SUPPORTING PLATE WFS-	TENSIONI TENSIONS WFS-	COPERTURA COVERING WFS-	PULLER - RULLI PULLER - ROLLERS WFS-	SALVA AGO MOBILE REAR NEEDLE GUARD WFS-	ATTREZ. VAR. VARIOUS EQUIPMENT WFS-	GRUPPO COM. CONTROL ASSEMBLY WFS-	COLTELLI KNIVES WFS-	CARTER COVER WFS-	KIT CAMPION. SETTING KIT WFS-
F63-34-2DR-12	3,5	F61-FS-1MD-AA	1B-001-00-0	1C-001-00-0	10-001-00-0	03-001-00-0		05-004-00-0 15-003-00-0	06-001-00-0	12-002-00-0	18-003-00-0 18-301-00-0 18-603-00-0	19-008-00-0
F63-34-2DR-20	3,5	F61-FS-1MD-AA	1B-001-00-0	1C-001-00-0	10-001-00-0	03-001-00-0		05-004-00-0 15-003-00-0	06-001-00-0	12-001-00-0	18-004-00-0 18-301-00-0 18-603-00-0	19-003-00-0
F63-34-2DR-21	2,5	F61-FS-1MD-AA	1B-001-00-0	1C-001-00-0	10-001-00-0	03-001-00-0		05-004-00-0 15-003-00-0	06-001-00-0	12-001-00-0	18-004-00-0 18-301-00-0 18-603-00-0	19-032-00-0
F63-34-2DR-27	4,5	F61-FS-1MD-AA	1B-001-00-0	1C-001-00-0	10-001-00-0	03-001-00-0		15-002-00-0 15-003-00-0	06-001-00-0	12-001-00-0	18-004-00-0 18-301-00-0 18-603-00-0	19-041-00-0
F63-34-2DR-44	4,5	F61-FS-1MD-AA	1B-001-00-0	1C-001-00-0	10-001-00-0	03-001-00-0		15-002-00-0 15-003-00-0	06-001-00-0	12-002-00-0	18-003-00-0 18-301-00-0 18-603-00-0	19-035-00-0
F63-34-2MR-20	3,5	F61-FS-1MD-AA	1B-001-00-0	1C-001-00-0	10-001-00-0			05-004-00-0 15-003-00-0 15-007-00-0		12-001-00-0	18-004-00-0 18-301-00-0 18-603-00-0	19-046-00-0
F63-34-2MR-21	2,5	F61-FS-1MD-AA	1B-001-00-0	1C-001-00-0	10-001-00-0			05-004-00-0 15-003-00-0 15-007-00-0		12-001-00-0	18-004-00-0 18-301-00-0 18-603-00-0	19-049-00-0
F63-34-2MR-22	3	F61-FS-1MD-AA	1B-001-00-0	1C-001-00-0	10-001-00-0			05-004-00-0 15-003-00-0 15-007-00-0		12-001-00-0	18-004-00-0 18-301-00-0 18-603-00-0	19-050-00-0
F63-34-2MR-27	4,5	F61-FS-1MD-AA	1B-001-00-0	1C-001-00-0	10-001-00-0			05-004-00-0 15-003-00-0 15-007-00-0		12-001-00-0	18-004-00-0 18-301-00-0 18-603-00-0	19-051-00-0
F63-34-3DR-16	6	F61-FS-1MD-AA	1B-001-00-0	1C-001-00-0	10-001-00-0	03-001-00-0		15-002-00-0 15-003-00-0	06-001-00-0	12-001-00-0	18-004-00-0 18-301-00-0 18-603-00-0	19-012-00-0

* = A RICHIESTA - ON REQUEST - SUR DEMANDE - AUF ANFRAGE - CON SOLICITUD

GRUPPI DI COMPOSIZIONE - COMPOSITION KITS

TESTA HEAD		UNITA' BASE BASE UNIT FLEXSYSTEM	PORTA PLACCA SUPPORTING PLATE WFS-	TENSIONI TENSIONS WFS-	COPERTURA COVERING WFS-	PULLER - RULLI PULLER - ROLLERS WFS-	SALVA AGO MOBILE REAR NEEDLE GUARD WFS-	ATTREZ. VAR. VARIOUS EQUIPMENT WFS-	GRUPPO COM. CONTROL ASSEMBLY WFS-	COLTELLI KNIVES WFS-	CARTER COVER WFS-	KIT CAMPION. SETTING KIT WFS-
F63-34-3DR-23	5	F61-FS-1MD-AA	1B-001-00-0	1C-001-00-0	10-001-00-0	03-001-00-0		15-002-00-0 15-003-00-0	06-001-00-0	12-001-00-0	18-004-00-0 18-301-00-0 18-603-00-0	19-013-00-0
F63-34-3DR-30	6	F61-FS-1MD-AA	1B-001-00-0	1C-001-00-0	10-001-00-0	03-001-00-0		15-002-00-0 15-003-00-0	06-001-00-0	12-002-00-0	18-003-00-0 18-301-00-0 18-603-00-0	19-039-00-0
F63-34-3DR-31	5	F61-FS-1MD-AA	1B-001-00-0	1C-001-00-0	10-001-00-0	03-001-00-0		15-002-00-0 15-003-00-0	06-001-00-0	12-002-00-0	18-003-00-0 18-301-00-0 18-603-00-0	19-040-00-0
F63-46-3MD-01	4,5	F61-FS-1MD-AA	1B-001-00-0	1C-001-00-0	10-001-00-0		*17-001-00-0	15-003-00-0 15-004-00-0			18-001-00-0 18-301-00-0 18-601-00-0	19-007-00-0
F63-46-3MD-05	6	F61-FS-1MD-AA	1B-001-00-0	1C-001-00-0	10-001-00-0		*17-001-00-0	15-003-00-0 15-004-00-0			18-001-00-0 18-301-00-0 18-601-00-0	19-001-00-0
F64-00-2CA-02	4,8 3,6	F64-FS-1CA-BB	1B-001-00-0	1C-001-00-0				15-003-00-0 15-004-00-0			18-001-00-0 18-302-00-0 18-601-00-0	19-045-00-0

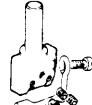
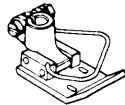
Sirio		ORGANI DI CUCITURA - SEWING PARTS - ORGANES DE COUTURE - NAEHWERKZEUGE - ORGANOS DE COSTURA											Sirio
R= A RICHIESTA - ON REQUEST - SUR DEMANDE - AUF ANFRAGE - CON SOLICITUD													
TESTA HEAD TETE MASCHINE CABEZAL													
F61-06-2MD-01	321468-4-00	4,5	321405-0-00	1,5	321391-0-00	1,5	314211-3-01	309756-2-02	766600-6-80	321128-0-00	321100-0-00	321164-0-00	---
F61-10-2MD-08	302510-4-10 302626-4-00	4,5 R 4,5	321405-0-00	1,5	321425-0-00	1,5	306611-3-00 302598-3-00	309756-2-02 R	766600-6-70	321128-0-00	321100-0-00	321164-0-00	---
F61-10-2MD-10	302512-4-11	4,5	321405-0-00	1,5	321429-0-00	1,5	306625-3-01	309756-2-02	766000-6-70	321128-0-00	321100-0-00	321164-0-00	---
F61-10-2MD-11	302509-0-10	4,5	321405-0-00	1,5	321425-0-00	1,5	306612-3-00	309756-2-02	766000-6-70	321128-0-00	321100-0-00	321164-0-00	---
F61-10-2MD-13	302502-4-10	3,5	321405-0-00	1,5	321425-0-00	1,5	306626-3-01	309750-2-01	766600-6-70	321128-0-00	321100-0-00	321164-0-00	---
F61-10-2MD-14	302501-0-10	3,5	321405-0-00	1,5	321425-0-00	1,5	301004-3-11	309750-2-01	766000-6-70	321128-0-00	321100-0-00	321164-0-00	---

Sirio

ORGANI DI CUCITURA - SEWING PARTS - ORGANES DE COUTURE - NAEHWERKZEUGE - ORGANOS DE COSTURA

Sirio

R= A RICHIESTA - ON REQUEST - SUR DEMANDE - AUF ANFRAGE - CON SOLICITUD

TESTA
HEAD
TETE
MASCHINE
CABEZAL

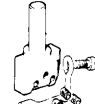
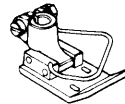
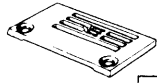
F61-10-2MD-22	302647-4-10	6	321408-0-00	1,5	321431-0-00	1,5	306616-3-00	309757-2-02	766000-6-70	321128-0-00	321100-0-00	321164-0-00	---
F61-10-2MD-31	306700-0-00	4,5	321405-0-00	1,5	321425-0-00	1,5	306611-3-00	309756-2-02	766000-6-70	321128-0-00	321100-0-00	321164-0-00	---
F61-10-3MD-32	302627-4-11	6	321408-0-00	1,5	321431-0-00	1,5	300581-3-13	309751-2-02	766600-6-70	321128-0-00	321100-0-00	321164-0-00	---
F61-11-2EK-01	304052-0-10	4,5	307702-0-00	1,5	---	1,5	306669-3-00	309756-2-02	766000-6-70	321128-0-00	321100-0-00	321164-0-00	---
F61-11-2EK-04	304098-0-10	3,5	307702-0-00	1,5	---	1,5	306676-3-00	309750-2-01	766000-6-70	321128-0-00	321100-0-00	321164-0-00	---
F61-16-2MD-02	301849-0-10	4,5	321404-0-00	1,5	321423-0-00	1,5	300145-3-13	309756-2-01	766000-6-70	321128-0-00	321100-0-00	321164-0-00	---

Sirio


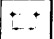

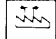

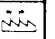
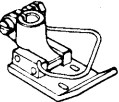
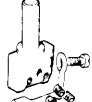


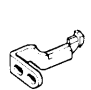
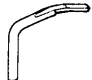

ORGANI DI CUCITURA - SEWING PARTS - ORGANES DE COUTURE - NAEHWERKZEUGE - ORGANOS DE COSTURA




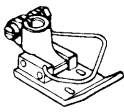
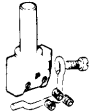


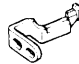


Sirio

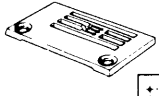


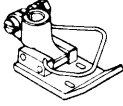
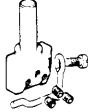



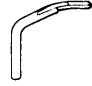
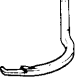
R= A RICHIESTA - ON REQUEST - SUR DEMANDE - AUF ANFRAGE - CON SOLICITUD


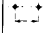

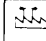

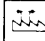
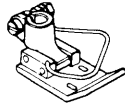
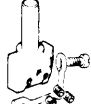


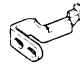
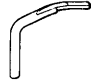

TESTA
HEAD
TETE
MASCHINE
CABEZAL

F61-16-2MD-04	301760-0-20	3,5	321404-0-00	1,5	321423-0-00	1,5	300110-3-13	309750-2-01	766000-6-70	321128-0-00	321100-0-00	321164-0-00	---
F61-16-3MD-01	313503-0-00	6	321400-0-00	1,5	321420-0-00	1,5	300111-3-13	309751-2-02	766000-6-70	321128-0-00	321100-0-00	321164-0-00	---
F61-30-2MD-06	302435-0-10	4,5	321415-0-00	1,5	321434-0-00	1,5	302438-3-10 301007-3-11	R 309756-2-02	766600-6-70	321128-0-00	321100-0-00	321164-0-00	---
F61-30-2MR-21	302811-0-10	3,5	321402-0-00	1,5	321422-0-00	1,5	302755-3-11 302873-3-12	R 309750-2-01	766000-6-70	321128-0-00	321100-0-00	321164-0-00	---
F61-30-2MR-32	302811-0-10	3,5	321402-0-00	1,5	321422-0-00	1,5	302755-3-11 304407-3-11	R 309750-2-01	766600-6-70	321128-0-00	321100-0-00	321164-0-00	---
F61-30-3MR-18	302735-0-10	6	321407-0-00	1,5	321428-0-00	1,5	302736-3-11 302882-3-02 304378-3-11	R R 309751-2-02	766000-6-70	321128-0-00	321100-0-00	321164-0-00	---

Sirio		ORGANI DI CUCITURA - SEWING PARTS - ORGANES DE COUTURE - NAEHWERKZEUGE - ORGANOS DE COSTURA											Sirio
R= A RICHIESTA - ON REQUEST - SUR DEMANDE - AUF ANFRAGE - CON SOLICITUD													
TESTA HEAD TETE MASCHINE CABEZAL													
F61-34-2DR-25	302811-0-10	3,5	321402-0-00	1,5	321422-0-00	1,5	304407-3-11	309750-2-01	766000-6-70	321128-0-00	321100-0-00	321164-0-00	---
F61-34-2DR-43	302754-0-10	3	321402-0-00	1,5	321422-0-00	1,5	304407-3-11	309754-2-01	766000-6-70	321128-0-00	321100-0-00	321164-0-00	---
F61-34-2MR-25	302811-0-10	3,5	321402-0-00	1,5	321422-0-00	1,5	304407-3-11	309750-2-01	766000-6-70	321128-0-00	321100-0-00	321164-0-00	---
F61-34-2MR-26	302810-0-10	4,5	321407-0-00	1,5	321428-0-00	1,5	304488-3-11	309756-2-02	766600-6-70	321128-0-00	321100-0-00	321164-0-00	---
F61-34-2MR-43	302754-0-10	3	321402-0-00	1,5	321422-0-00	1,5	304407-3-11	309754-2-01	766000-6-70	321128-0-00	321100-0-00	321164-0-00	---
F61-34-3DR-18	302735-0-10 302738-0-00	6 R 6	321407-0-00	1,5	321428-0-00	1,5	304378-3-11 302882-3-02	309751-2-02 R	766000-6-70	321128-0-00	321100-0-00	321164-0-00	---

Sirio		ORGANI DI CUCITURA - SEWING PARTS - ORGANES DE COUTURE - NAEHWERKZEUGE - ORGANOS DE COSTURA											Sirio		
R= A RICHIESTA - ON REQUEST - SUR DEMANDE - AUF ANFRAGE - CON SOLICITUD															
TESTA HEAD TETE MASCHINE CABEZAL															
F63-06-3MD-02	321459-4-00	6	321401-0-00	1,5	321424-0-00	1,5	314209-3-00	309751-2-02	766000-6-80	321128-0-00	321100-0-00	321164-0-00	319093-0-00		
F63-10-2MD-04	302499-4-11	3,5	321409-0-00	1,5	321425-0-00	1,5	301004-3-11 301012-3-11	309750-2-01 R	766000-6-70	321128-0-00	321100-0-00	321164-0-00	319093-0-00		
F63-10-2MD-05	302706-4-10	4,5	321409-0-00	1,5	321425-0-00	1,5	302600-3-10	309756-2-02	766000-6-70	321128-0-00	321100-0-00	321164-0-00	319093-0-00		
F63-10-3MD-02	302406-4-10	6	321401-0-00	1,5	321421-0-00	1,5	300581-3-13	309751-2-02	766600-6-70	321128-0-00	321100-0-00	321164-0-00	319093-0-00		
F63-16-2MD-01	301760-0-20	3,5	321404-0-00	1,5	321423-0-00	1,5	300110-3-13	309750-2-01	766000-6-80	321128-0-00	321100-0-00	321164-0-00	319093-0-00		
F63-16-2MD-03	300556-0-00	4,5	321414-0-00	1,5	321420-0-00	1,5	300555-3-01	309756-2-02	766000-6-80	321128-0-00	321100-0-00	321164-0-00	319093-0-00		

Sirio		ORGANI DI CUCITURA - SEWING PARTS - ORGANES DE COUTURE - NAEHWERKZEUGE - ORGANOS DE COSTURA											Sirio
R= A RICHIESTA - ON REQUEST - SUR DEMANDE - AUF ANFRAGE - CON SOLICITUD													
TESTA HEAD TETE MASCHINE CABEZAL													
F63-16-2MD-10	301849-0-10	4,5	321404-0-00	1,5	321423-0-00	1,5	300145-3-13	309756-2-02	766000-6-80	321128-0-00	321100-0-00	321164-0-00	319093-0-00
F63-16-3MD-04	301886-0-00	4,5	321413-0-00	1,5	321432-0-00	1,5	300146-3-13	309753-2-02	766000-6-80	321128-0-00	321100-0-00	321164-0-00	319093-0-00
F63-16-3MD-08	313503-0-00	6	321400-0-00	1,5	321420-0-00	1,5	300111-3-13	309751-2-02	766000-6-80	321128-0-00	321100-0-00	321164-0-00	319093-0-00
F63-30-2MR-09	302811-0-10	3,5	321402-0-00	1,5	321422-0-00	1,5	302755-3-11 302873-3-12 304407-3-11	R R 309750-2-01	766600-6-70	321128-0-00	321100-0-00	321164-0-00	319093-0-00
F63-30-2MR-10	302753-0-10	2,5	321402-0-00	1,5	321422-0-00	1,5	302756-3-11	309755-2-01	766000-6-70	321128-0-00	321100-0-00	321164-0-00	319093-0-00
F63-30-2MR-12	302811-0-10	3,5	321402-0-00	1,5	321422-0-00	1,5	302755-3-11 302873-3-12 304407-3-11	R R 309750-2-01	766000-6-70	321128-0-00	321100-0-00	321164-0-00	319093-0-00


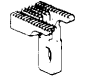

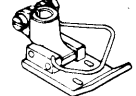
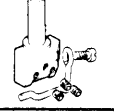


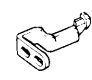
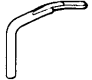

Sirio		ORGANI DI CUCITURA - SEWING PARTS - ORGANES DE COUTURE - NAEHWERKZEUGE - ORGANOS DE COSTURA											Sirio
R= A RICHIESTA - ON REQUEST - SUR DEMANDE - AUF ANFRAGE - CON SOLICITUD													
TESTA HEAD TETE MASCHINE CABEZAL													
F63-30-2MR-23	302810-0-10	4,5	321407-0-00	1,5	321428-0-00	1,5	302817-3-11	309756-2-02	766000-6-70	321128-0-00	321100-0-00	321164-0-00	319093-0-00
F63-30-2MR-31	302810-0-10	4,5	321407-0-00	1,5	321428-0-00	1,5	302817-3-11	309756-2-02	766000-6-70	321128-0-00	321100-0-00	321164-0-00	319093-0-00
F63-30-3MR-17	302735-0-10	6	321407-0-00	1,5	321428-0-00	1,5	302736-3-11 302882-3-02 304378-3-11	R R 309751-2-02	766000-6-70	321128-0-00	321100-0-00	321164-0-00	319093-0-00
F63-30-3MR-42	302735-0-10	6	321407-0-00	1,5	321428-0-00	1,5	302736-3-11	309751-2-02	766000-6-70	321128-0-00	321100-0-00	321164-0-00	319093-0-00
F63-34-2DR-12	302811-0-10	3,5	321402-0-00	1,5	321422-0-00	1,5	304407-3-11 302873-3-12	R 309750-2-01	766000-6-70	321128-0-00	321100-0-00	321164-0-00	319093-0-00
F63-34-2DR-20	302811-0-10	3,5	321402-0-00	1,5	321422-0-00	1,5	304407-3-11 302873-3-12 304068-3-00	R R 309750-2-01	766000-6-70	321128-0-00	321100-0-00	321164-0-00	319093-0-00

Sirio

ORGANI DI CUCITURA - SEWING PARTS - ORGANES DE COUTURE - NAEHWERKZEUGE - ORGANOS DE COSTURA

Sirio

R= A RICHIESTA - ON REQUEST - SUR DEMANDE - AUF ANFRAGE - CON SOLICITUD




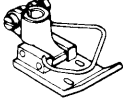
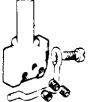





TESTA HEAD TETE MASCHINE CABEZAL													
F63-34-2DR-21	302753-0-10	2,5	321402-0-00	1,5	321422-0-00	1,5	304408-3-11	309755-2-01	766000-6-70	321128-0-00	321100-0-00	321164-0-00	319093-0-00
F63-34-2DR-27	302810-0-10	4,5	321407-0-00	1,5	321428-0-00	1,5	304488-3-11	309756-2-02	766000-6-70	321128-0-00	321100-0-00	321164-0-00	319903-0-00
F63-34-2DR-44	302810-0-10	4,5	321407-0-00	1,5	321428-0-00	1,5	304488-3-11	309756-2-02	766000-6-70	321128-0-00	321100-0-00	321164-0-00	319903-0-00
F63-34-2MR-20	302811-0-10	3,5	321402-0-00	1,5	321422-0-00	1,5	304407-3-11 302873-3-12 304068-3-00	309750-2-01 R R	766600-6-70	321128-0-00	321100-0-00	321164-0-00	319093-0-00
F63-34-2MR-21	302753-0-10	2,5	321402-0-00	1,5	321422-0-00	1,5	304408-3-11	309755-2-01	766000-6-70	321128-0-00	321100-0-00	321164-0-00	319093-0-00
F63-34-2MR-22	302754-0-10	3	321402-0-00	1,5	321422-0-00	1,5	304407-3-11 302873-3-12 304068-3-00	309754-2-01 R R	766000-6-70	321128-0-00	321100-0-00	321164-0-00	319093-0-00

Sirio

ORGANI DI CUCITURA - SEWING PARTS - ORGANES DE COUTURE - NAEHWERKZEUGE - ORGANOS DE COSTURA

Sirio

R= A RICHIESTA - ON REQUEST - SUR DEMANDE - AUF ANFRAGE - CON SOLICITUD

TESTA HEAD TETE MASCHINE CABEZAL													
F63-34-2MR-27	302810-0-10	4,5	321407-0-00	1,5	321428-0-00	1,5	304488-3-11	309756-2-02	766000-6-70	321128-0-00	321100-0-00	321164-0-00	319093-0-00
F63-34-3DR-16	302735-0-10	6	321407-0-00	1,5	321428-0-00	1,5	304378-3-11 302882-3-02	309751-2-00 R	766000-6-70	321128-0-00	321100-0-00	321164-0-00	319093-0-00
F63-34-3DR-23	302774-0-10	5	321407-0-00	1,5	321428-0-00	1,5	304485-3-11	309752-2-02	766000-6-70	321128-0-00	321100-0-00	321164-0-00	319093-0-00
F63-34-3DR-30	302735-0-10	6	321407-0-00	1,5	321428-0-00	1,5	304378-3-11	309751-2-02	766600-6-70	321128-0-00	321100-0-00	321164-0-00	319093-0-00
F63-34-3DR-31	302774-0-10	5	321407-0-00	1,5	321428-0-00	1,5	304485-3-11	309752-2-02	766000-6-70	321128-0-00	321100-0-00	321164-0-00	319093-0-00
F63-46-3MD-01	302368-0-10 302065-0-10	4,5 R 4,5	321401-0-00	1,5	321426-0-00	1,5	302078-3-13	309753-2-02	766000-6-70	321128-0-00	321100-0-00	321164-0-00	319093-0-00

INDEX

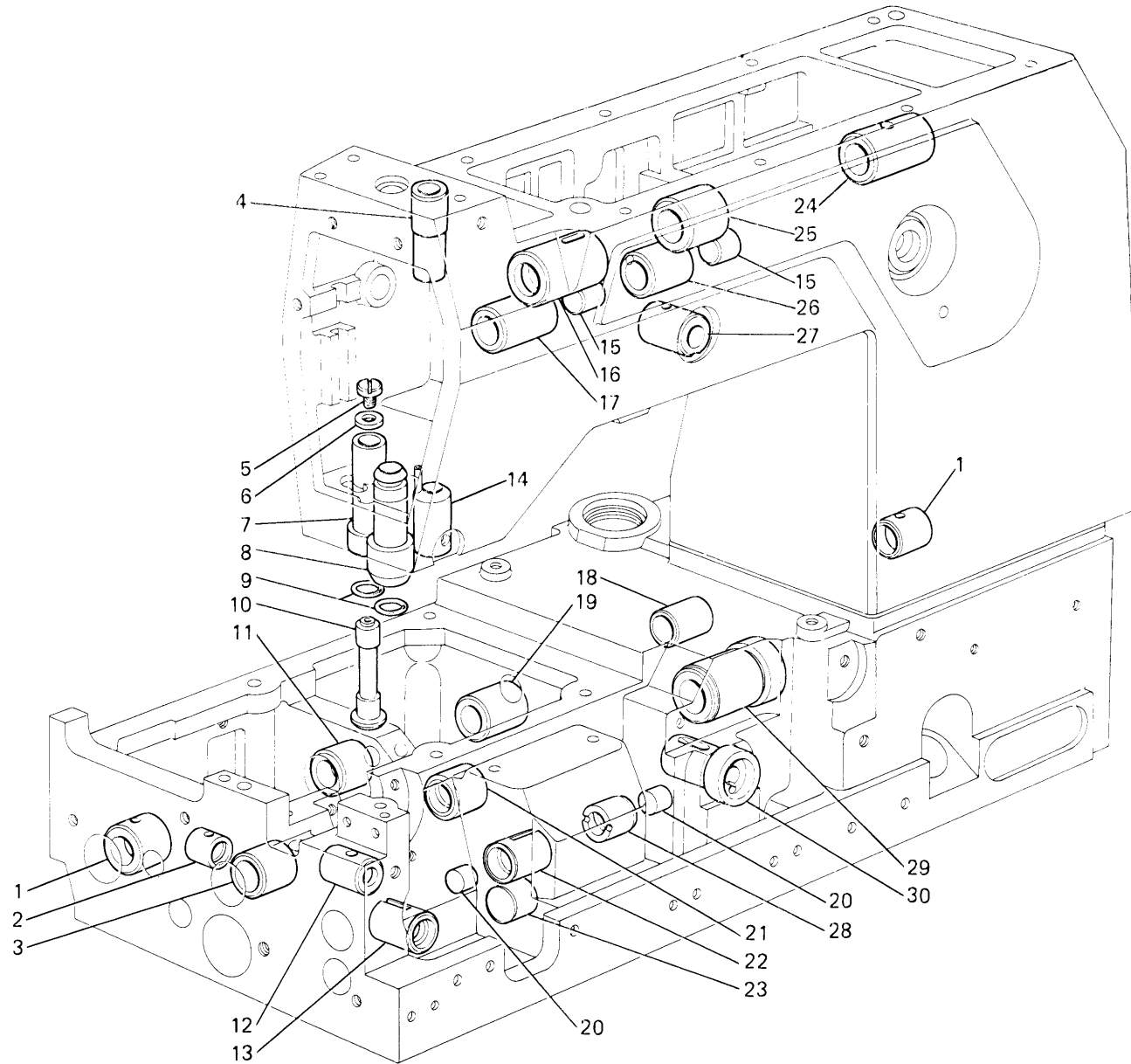
INDEX

SIMB.	TAV.	SIMB.	TAV.	SIMB.	TAV.	SIMB.	TAV.	SIMB.	TAV.	SIMB.	TAV.	SIMB.	TAV.
200324-0-10	2	304172-0-10	7/1	315024-0-01	10-10/1	315136-0-00	3	321053-0-00	6-6/1	321161-0-00	8	700012-0-00	9
201128-0-10	7	304612-0-11	6/1	315025-2-00	10-10/1	315137-0-00	3	321054-0-00	6-6/1	321162-2-00	8	700015-0-00	4-4/1
202027-0-10	2	304710-0-10	8	315027-0-00	10-10/1	315140-0-00	1	321055-0-00	6-6/1	321163-2-00	8	700116-0-00	12
202032-0-11	5-5/1	304763-0-10	11-11/1	315032-2-00	11-11/1	315141-0-00	11-11/1	321056-0-00	2	321165-0-00	1-1/1	700207-0-00	5-7/1-9
202387-0-10	4-4/1		11/2		11/2		11/2	321057-0-00	2	321170-0-00	1-1/1	700597-0-00	4-4/1
202395-2-11	7-7/1	304788-0-10	10-10/1	315033-2-00	11-11/1	315142-0-00	1	321058-2-00	5-5/1	321171-0-00	1-1/1	701003-0-00	11/2
202480-0-10	3	306337-0-00	6-6/1		11/2	315145-2-00	10-10/1	321059-0-00	9	321172-0-00	4-4/1	701004-0-00	7/1-12
202502-0-10	5	307651-0-00	7-7/1	315034-2-00	11-11/1	315164-0-00	12	321066-2-00	9	321174-0-00	4-4/1-5-5/1	701005-0-00	6-6/1
204122-0-10	4-4/1	307704-0-00	9		11/2	315166-0-00	12	321069-0-00	9	321175-0-00	4-4/1	701006-0-00	4-4/1-5-5/1
206518-0-01	10-10/1	308086-0-11	1/1	315035-0-00	11-11/1	315203-2-00	10	321070-0-00	9	321178-2-00	4-4/1	701007-0-00	5-8-10
206602-0-00	11/1-11/2	308119-0-00	2-4-4/1		11/2	315220-0-00	12	321071-2-00	9	321179-2-00	10-10/1		10/1
206796-0-00	5-9	308137-0-00	3	315036-0-00	11-11/1	315221-0-00	12	321072-2-00	9	321180-0-00	4-4/1	701011-0-00	1-1/1
206798-0-00	5-9	308974-3-00	2		11/2	315463-0-00	3	321073-0-00	6/1	321181-0-00	4-4/1	701015-0-00	13
207499-0-01	1/1	309560-0-00	2-5	315037-0-00	11-11/1	315752-0-00	1-1/1	321074-0-00	6/1	321200-0-00	13	701042-0-00	12
207692-2-00	2	309609-0-00	11/2		11/2	315753-0-00	1-1/1	321080-3-00	7	321201-0-00	13	701123-0-00	12
207700-0-00	10-10/1	309611-0-00	11/2	315038-0-00	11-11/1	315754-0-00	1-1/1	321082-3-00	7-7/1	321204-4-00	12	701124-0-00	7/1
207719-0-00	5	309830-2-00	4-4/1-10/1		11/2	315812-0-00	9	321094-2-00	7	321206-0-00	13	702415-0-00	3
207893-0-00	13	309831-2-00	4-4/1-10/1	315039-0-00	11-11/1	315852-0-00	10-10/1	321095-2-00	7-7/1	321210-0-00	12	703005-0-00	15-15/1
207973-0-01	3	310078-0-00	3		11/2	315861-0-00	1/1	321096-0-00	7-7/1	321211-0-00	13	703802-0-00	6-6/1
208086-0-11	1	310459-0-01	2	315042-0-00	11-11/1	315895-0-00	12	321097-0-00	7-7/1	321212-0-00	12	704017-2-00	15
209283-0-00	7/1	311067-0-00	2		11/2	315910-0-00	14	321111-2-00	7/1	321213-0-00	12	704017-2-11	15/1
209297-0-00	7-7/1	311069-0-00	7/1	315043-0-00	11-11/1	318062-0-00	4-4/1	321112-0-00	7/1	321214-0-00	12	704205-2-00	7/1
209308-0-10	7-7/1	311106-0-00	9	315044-0-00	12	321020-2-00	4-4/1	321113-0-00	7/1	321227-0-00	1	704211-2-00	1
209316-0-00	1/1	311114-0-00	9	315045-0-00	11-11/1	321021-0-00	9	321114-0-00	7/1	321236-0-00	1	704218-2-00	2
209376-0-10	6-6/1	311166-0-00	5-5/1-9		11/2	321022-2-00	9	321116-0-00	7-7/1	321242-2-00	4	704240-2-00	11-11/1
209388-0-01	5-5/1	311385-2-00	5-5/1-9	315046-2-00	10-10/1	321023-0-00	9	321117-2-00	7	321310-0-00	3		11/2
209400-0-00	5-5/1	311386-2-00	5-5/1	315049-0-00	11-11/1	321025-2-00	9	321120-0-00	7	321312-0-00	9	704306-0-00	5-5/1
209401-2-01	5	313092-0-00	2	315050-2-00	10-10/1	321026-2-00	9	321121-2-00	7-7/1	321481-0-00	1/1	704314-2-00	7/1
209414-0-00	2	314169-0-00	4/1	315052-2-00	10-10/1	321028-0-00	6-6/1	321122-0-00	7/1	321483-0-00	10/1	704409-2-00	6-6/1
209439-0-00	10-10/1	314182-0-00	11-11/1	315053-0-00	10-10/1	321030-2-00	6-6/1	321123-2-00	7	321484-2-00	11-11/1	704428-2-00	3
209964-0-00	1-1/1		11/2	315055-0-00	10	321032-0-00	6-6/1	321125-0-00	7/1		11/2	704841-0-00	7-7/1
210048-0-00	1-1/1	314248-0-00	8	315070-0-00	11-11/1	321035-3-00	6	321126-0-00	7	321485-0-00	11-11/1	704849-0-00	5-5/1
211025-0-00	1/1	315003-0-00	1-1/1		11/2	321036-3-00	6/1	321130-0-00	7-7/1	321486-0-00	11	704866-0-00	10-10/1
211052-0-00	12	315004-2-00	1-1/1	315075-0-01	3	321037-0-00	6-6/1	321133-2-00	5	321490-0-00	10-10/1	704869-0-00	4-4/1-10
211053-0-01	12	315005-0-00	1-1/1	315077-0-00	3	321039-2-00	6-6/1	321140-0-00	2	321491-0-00	10-10/1		10/1
211128-0-00	12	315006-0-00	1-1/1	315078-0-01	3	321040-0-00	5-5/1	321143-0-00	2	321492-3-00	10-10/1	705008-0-00	7-7/1
211131-0-00	4-4/1	315007-0-00	1-1/1	315079-0-00	3	321041-0-00	5-5/1	321144-0-00	2	321493-0-00	11/2	705027-0-00	10-10/1
211290-0-00	1-1/1	315008-0-00	1	315080-0-00	3	321043-0-00	6-6/1	321145-0-00	2	321494-0-00	11/2	705036-0-00	9
211394-3-00	5	315009-0-00	1	315084-0-00	3	321046-2-00	5	321146-4-00	2	321495-0-00	11/2	705201-0-00	2
211533-0-00	1-1/1	315010-0-00	1-1/1	315102-0-00	3	321047-0-00	5	321147-0-00	2	321496-2-00	10-10/1	705208-0-00	5-5/1
211625-0-00	14	315011-0-00	1-1/1	315103-0-00	3	321048-0-00	5-5/1	321148-0-00	1-1/1	321498-0-00	3	705970-0-00	3
300393-0-00	2	315012-0-00	1	315128-0-00	11-11/1	321049-0-00	9	321149-0-00	3	350018-2-02	10-10/1	705975-0-00	3
302168-0-00	2	315013-2-10	10-10/1		11/2	321050-0-00	6-6/1	321151-2-00	4-4/1	351728-0-00	1	707271-0-00	11-11/1
302172-0-10	2	315021-2-01	10-10/1	315130-0-00	10-10/1	321051-0-00	6-6/1	321152-0-00	2	700005-0-00	6-6/1		11/2
302204-0-10	2	315023-0-00	10-10/1	315135-0-00	3	321052-0-00	6-6/1	321160-2-00	8	700006-0-00	12	721412-2-00	6-6/1

UNITA' BASE
BASE UNIT
UNITE DE BASE
GRUENDLICHE EINHEIT
UNIDAD BASE

F61-FS-1MD-AA

Fig. N.	Part. N. Piece N.	Qt.
1	315754-0-00	2
2	210048-0-00	1
3	321170-0-00	1
4	315003-0-00	1
5	721444-2-00	1
6	704211-2-00	1
7	315012-0-00	1
8	315010-0-00	1
9	701011-0-00	2
10	315140-0-00	1
11	315753-0-00	1
12	321165-0-00	1
13	211290-0-00	1
14	315004-2-00	1
15	315142-0-00	2
16	315005-0-00	1
17	315008-0-00	1
18	211533-0-00	1
19	315752-0-00	1
20	351728-0-00	2
21	321171-0-00	1
22	321236-0-00	1
23	209964-0-00	1
24	315007-0-00	1
25	315006-0-00	1
26	315009-0-00	1
27	315011-0-00	1
28	321227-0-00	1
29	308086-0-11	1
30	321148-0-00	1



(A)

F61-FS-1EK-AD	321165-0-00
F64-FS-1CA-AB	---
F64-FS-1CA-BB	---
F64-FS-1MA-AC	---

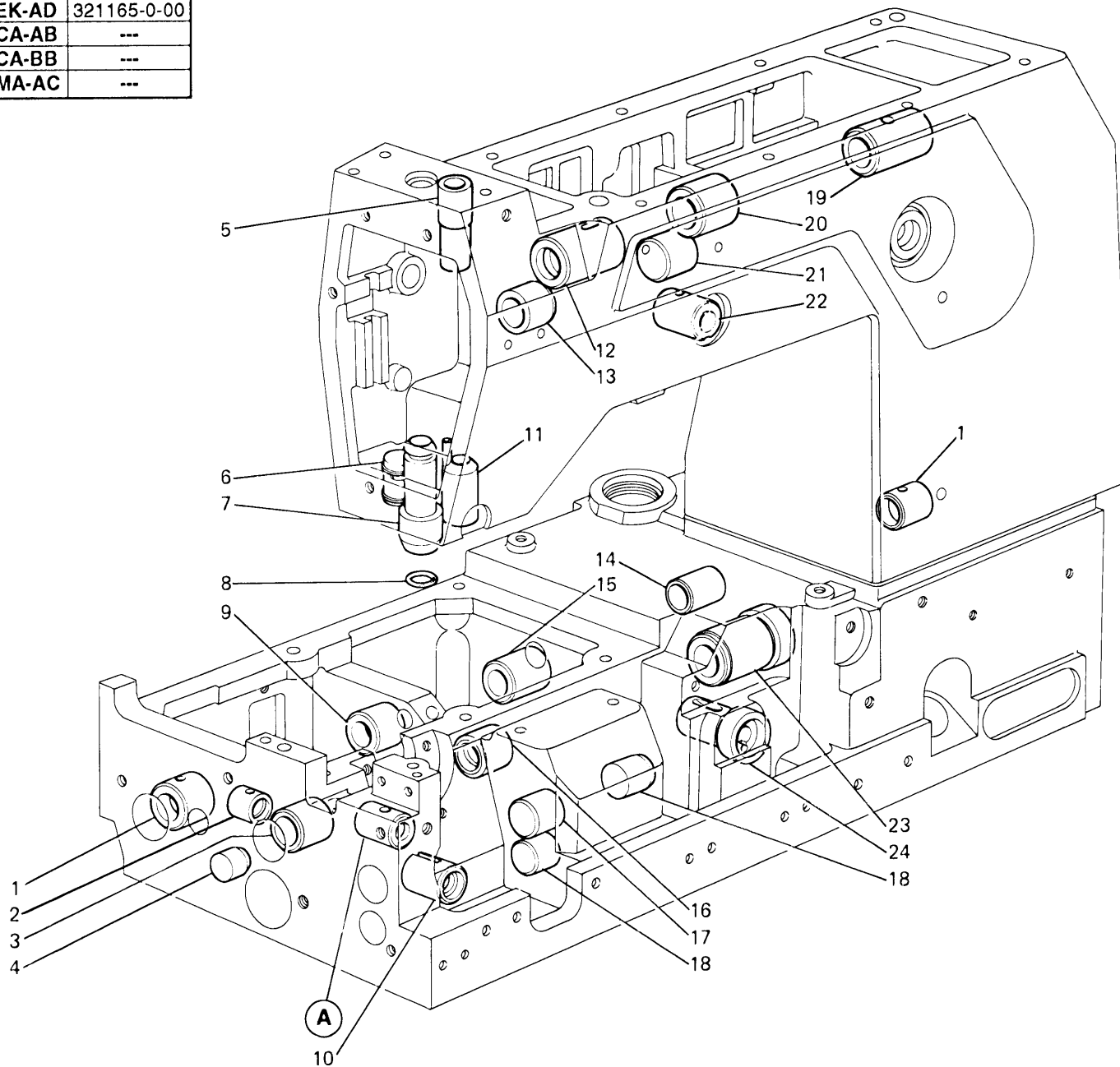
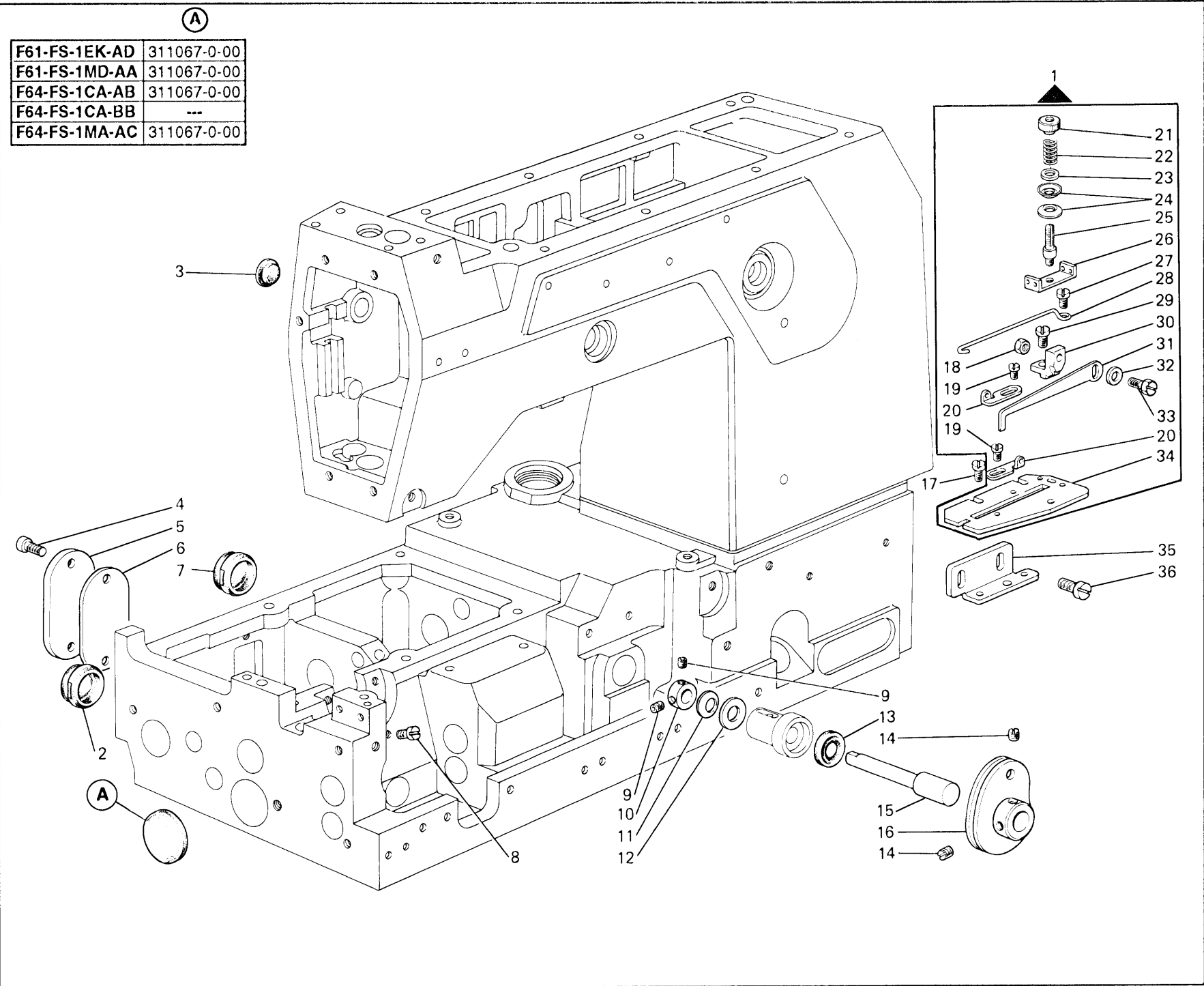
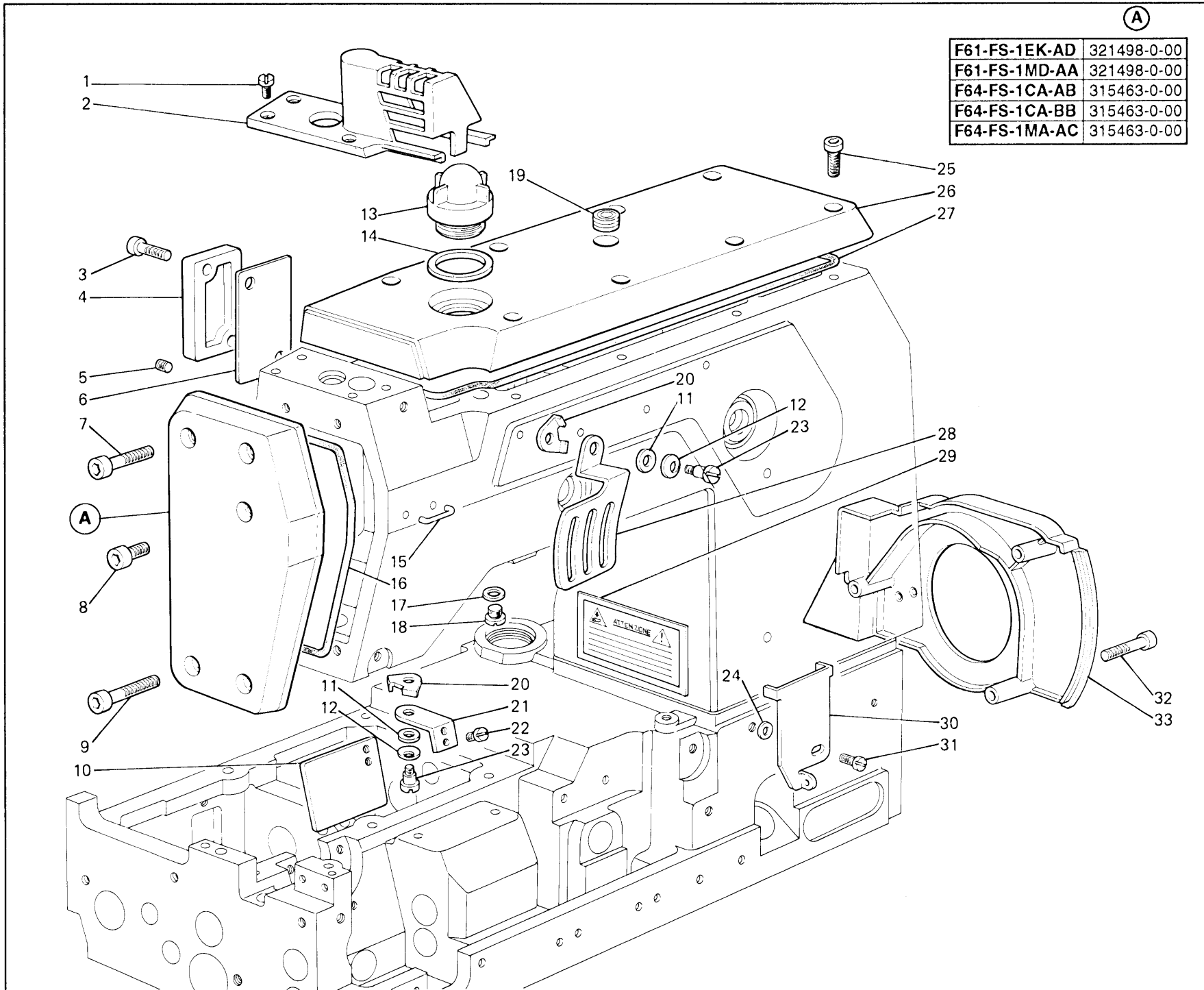


Fig. N.	Part. N. Piece N.	Qt.
1	315754-0-00	2
2	210048-0-00	1
3	321170-0-00	1
4	207499-0-01	1
5	315003-0-00	1
6	315461-0-00	1
7	315010-0-00	1
8	701011-0-00	1
9	315753-0-00	1
10	211290-0-00	1
11	315004-2-00	1
12	315005-0-00	1
13	321481-0-00	1
14	211533-0-00	1
15	315752-0-00	1
16	321171-0-00	1
17	209316-0-00	1
18	209964-0-00	2
19	315007-0-00	1
20	315006-0-00	1
21	211025-0-00	1
22	315011-0-00	1
23	308086-0-11	1
24	321148-0-00	1

Fig. N.	Part. N. Piece N.	Qt.
1	321146-4-00	1
2	202027-0-10	1
3	313092-0-00	1
4	741956-2-00	2
5	321057-0-00	1
6	321056-0-00	1
7	209414-0-00	1
8	742812-2-00	1
9	745812-2-00	2
10	207692-2-00	1
11	321152-0-00	1
12	309560-0-00	1
13	308119-0-00	1
14	727215-0-00	2
15	321140-0-00	1
16	308974-3-00	1
17	741658-2-00	2
18	746002-2-00	1
19	741413-2-00	2
20	302172-0-10	2
21	302204-0-10	1
22	930066-0-10	1
23	704218-2-00	1
24	200324-0-10	2
25	300393-0-00	1
26	310459-0-01	1
27	741612-2-00	1
28	321144-0-00	1
29	741655-2-00	1
30	302168-0-00	1
31	321143-0-00	1
32	705201-0-00	1
33	740250-2-00	1
34	321145-0-00	1
35	321147-0-00	1
36	741936-2-00	2



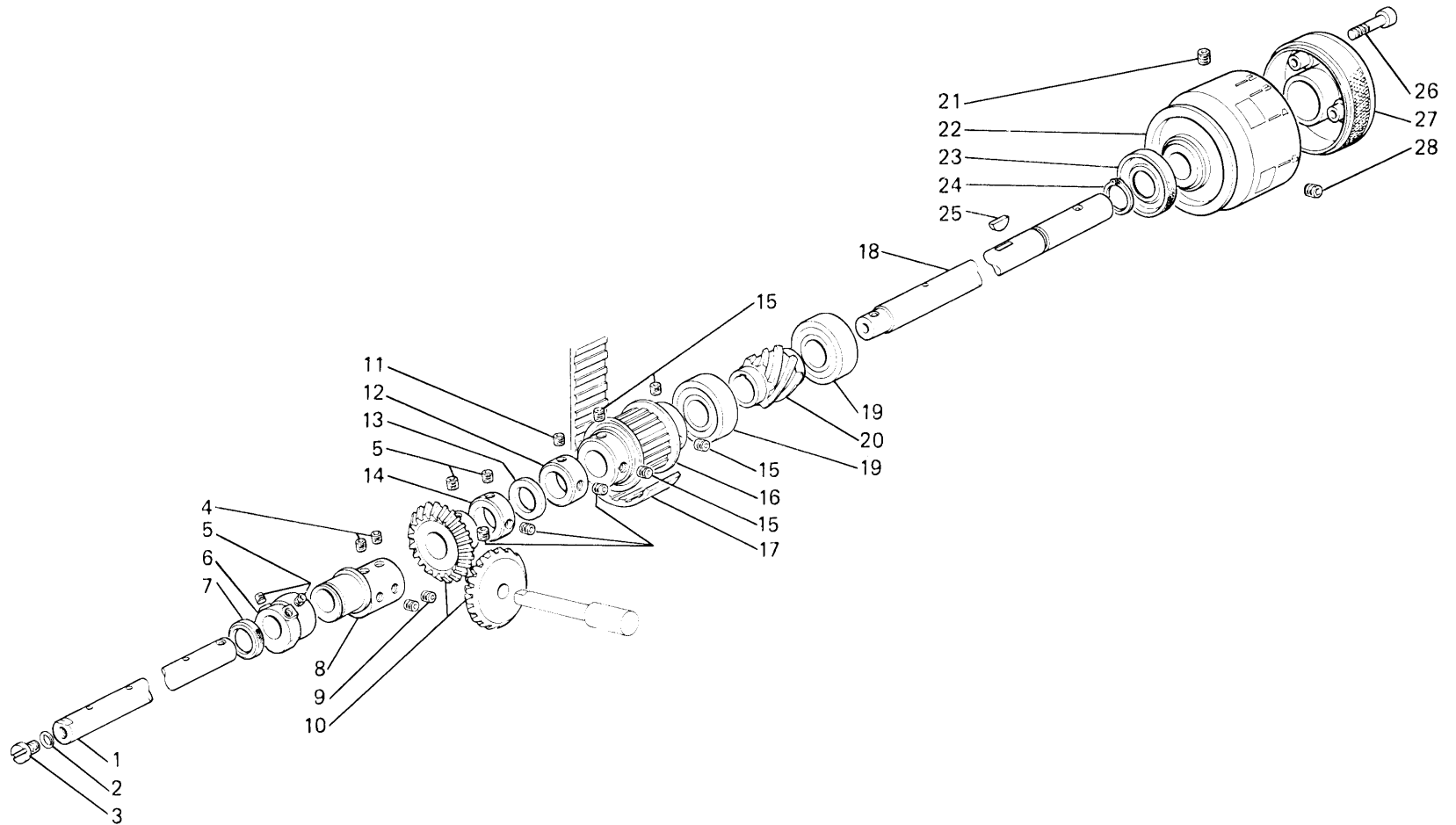
Part. N.	Qt.
F61-FS-1EK-AD	311067-0-00
F61-FS-1MD-AA	311067-0-00
F64-FS-1CA-AB	311067-0-00
F64-FS-1CA-BB	---
F64-FS-1MA-AC	311067-0-00



(A)	
F61-FS-1EK-AD	321498-0-00
F61-FS-1MD-AA	321498-0-00
F64-FS-1CA-AB	315463-0-00
F64-FS-1CA-BB	315463-0-00
F64-FS-1MA-AC	315463-0-00

Fig. N.	Part. N. Piece N.	Qt.
1	722401-2-00	3
2	315135-0-00	1
3	722423-2-00	2
4	315080-0-00	1
5	729012-2-00	1
6	315079-0-00	1
7	722463-2-00	2
8	722413-2-00	1
9	722443-2-00	2
10	315103-0-00	1
11	704428-2-00	2
12	702415-0-00	2
13	207973-0-01	1
14	705970-0-00	1
15	308137-0-00	1
16	315078-0-01	1
17	705975-0-00	1
18	202480-0-10	1
19	315084-0-00	1
20	315137-0-00	2
21	315102-0-00	1
22	741531-2-00	2
23	743543-2-00	2
24	310078-0-00	1
25	722472-2-00	8
26	315075-0-01	1
27	315077-0-00	1
28	315136-0-00	1
29	998051-0-00	1
30	321149-0-00	1
31	741956-2-00	1
32	722482-2-00	3
33	321310-0-00	1

Fig. N.	Part N. Piece N.	Qt.
1	321172-0-00	1
2	701006-0-00	1
3	321174-0-00	1
4	730034-2-00	2
5	729013-2-00	9
6	321242-2-00	1
7	308119-0-00	1
8	321020-2-00	1
9	729024-2-00	2
10	321151-2-00	1
11	730033-2-00	1
12	309831-2-00	1
13	704869-0-00	1
14	309830-2-00	1
15	745815-2-00	4
16	321178-2-00	1
17	321180-0-00	1
18	321175-0-00	1
19	202387-0-10	2
20	318062-0-00	1
21	730054-2-00	1
22	321181-0-00	1
23	700597-0-00	1
24	700015-0-00	1
25	204122-0-10	1
26	722461-2-00	3
27	211131-0-00	1
28	729264-2-00	1



	(A)	(B)
F61-FS-1EK-AD	---	---
F64-FS-1CA-AB	701006-0-00	321174-0-00
F64-FS-1CA-BB	701006-0-00	321174-0-00
F64-FS-1MA-AC	701006-0-00	321174-0-00

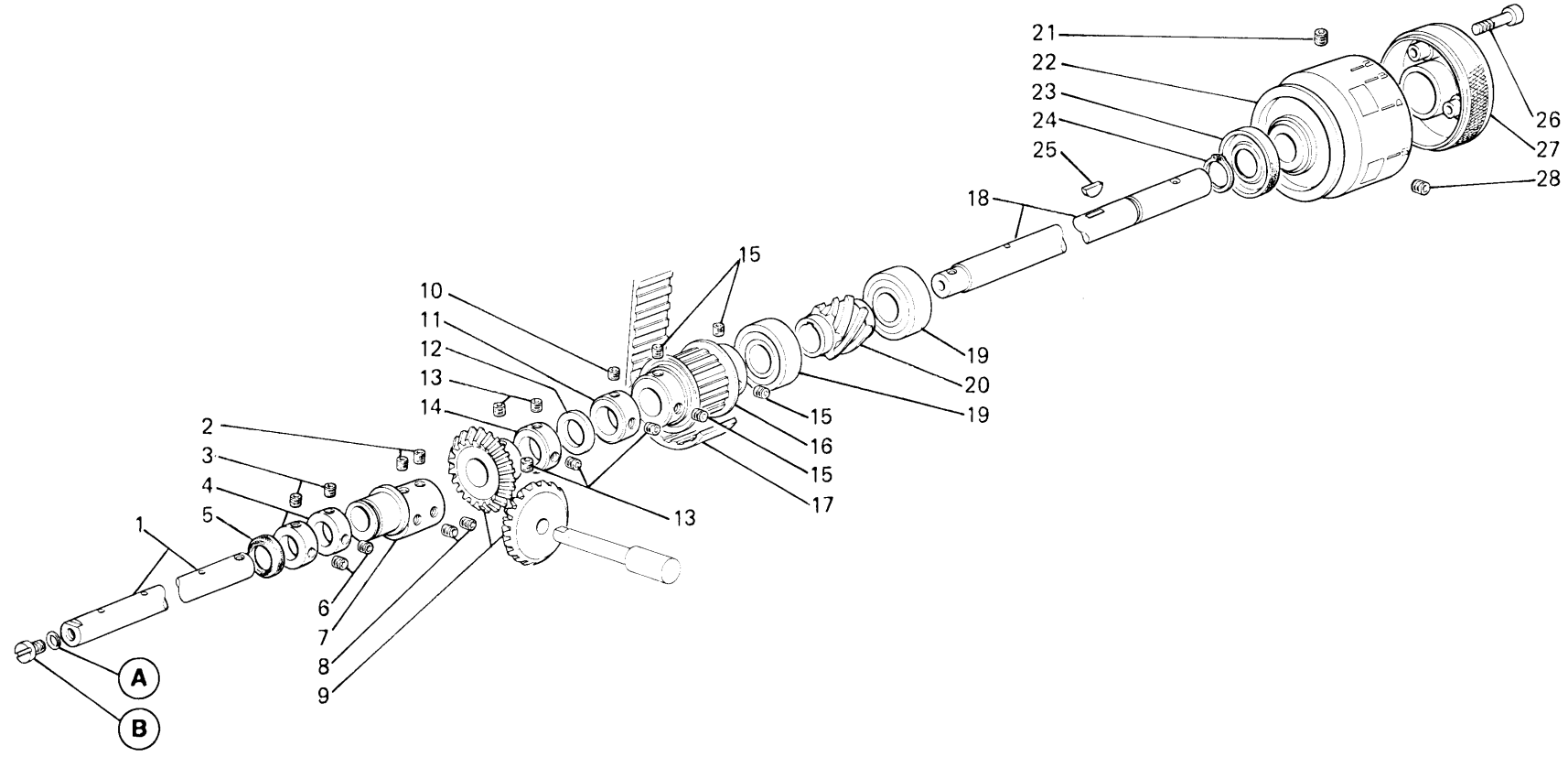
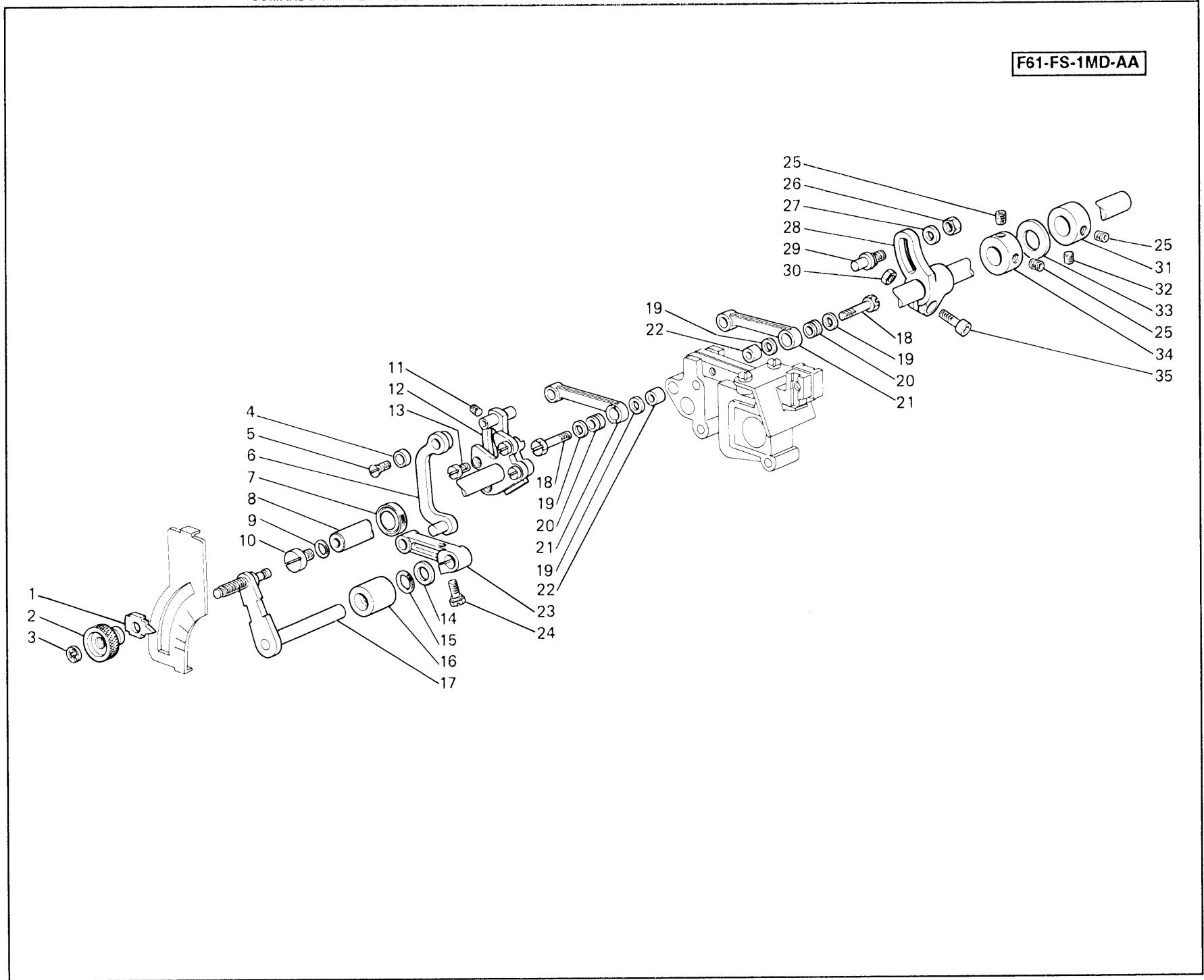


Fig. N.	Part. N. Piece N.	Qt.
1	321172-0-00	1
2	730034-2-00	2
3	745421-0-00	2
4	314169-0-00	2
5	308119-0-00	1
6	745124-0-00	2
7	321020-2-00	1
8	729024-2-00	2
9	321151-2-00	1
10	730033-2-00	1
11	309831-2-00	1
12	704869-0-00	1
13	729013-2-00	7
14	309830-2-00	1
15	745815-2-00	4
16	321178-2-00	1
17	321180-0-00	1
18	321175-0-00	1
19	202387-0-10	2
20	318062-0-00	1
21	730054-2-00	1
22	321181-0-00	1
23	700597-0-00	1
24	700015-0-00	1
25	204122-0-10	1
26	722461-2-00	3
27	211131-0-00	1
28	729264-2-00	1

Fig. N.	Part. N. Piece N.	Qt.
1	206796-0-00	1
2	206798-0-00	1
3	700207-0-00	1
4	207719-0-00	1
5	724032-0-00	1
6	209401-2-01	1
7	311166-0-00	1
8	321048-0-00	1
9	701006-0-00	1
10	321174-0-00	1
11	745827-2-00	2
12	211394-3-00	1
13	741936-2-00	4
14	309560-0-00	1
15	701007-0-00	1
16	321047-0-00	1
17	321046-2-00	1
18	321040-0-00	2
19	705208-0-00	4
20	202032-0-11	2
21	209400-0-00	2
22	321041-0-00	2
23	321133-2-00	1
24	202502-0-10	1
25	729013-2-00	3
26	733806-2-00	1
27	704306-0-00	1
28	321058-2-00	1
29	209388-0-01	1
30	733507-2-00	1
31	311386-2-00	1
32	730033-2-00	1
33	704849-0-00	1
34	311385-2-00	1
35	722442-2-00	1



F61-FS-1EK-AD
 F64-FS-1CA-AB
 F64-FS-1CA-BB
 F64-FS-1MA-AC

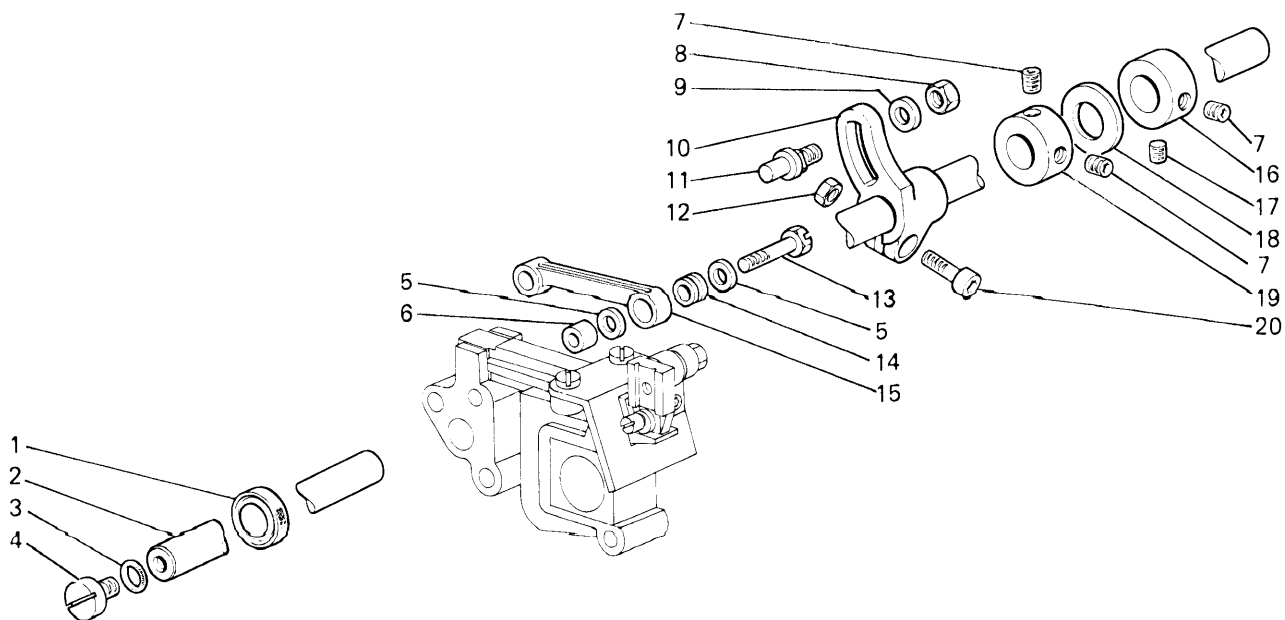
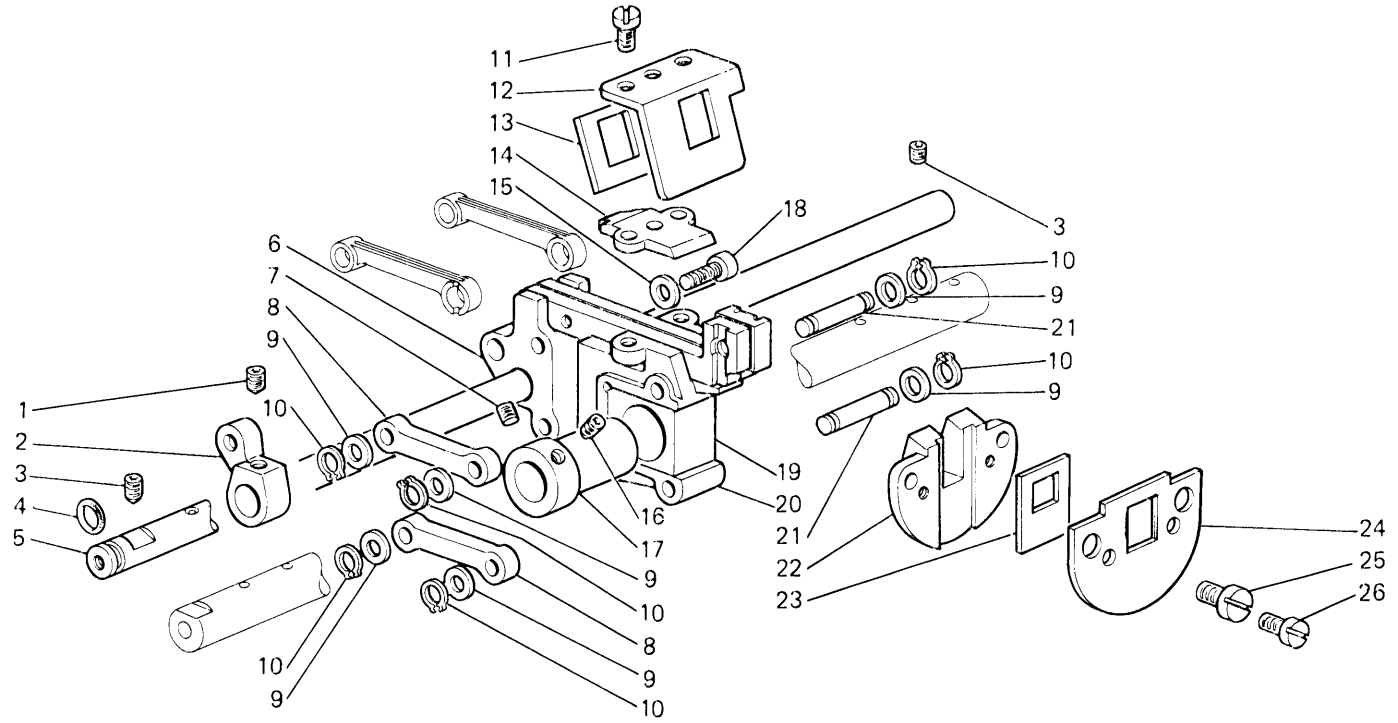


Fig. N.	Part. N. Piece N.	Qt.
1	311166-0-00	1
2	321048-0-00	1
3	701006-0-00	1
4	321174-0-00	1
5	705208-0-00	2
6	321041-0-00	1
7	729013-2-00	3
8	733806-2-00	1
9	704306-0-00	1
10	321058-2-00	1
11	209388-0-01	1
12	733507-2-00	1
13	321040-0-00	1
14	202032-0-11	1
15	209400-0-00	1
16	311386-2-00	1
17	730033-2-00	1
18	704849-0-00	1
19	311385-2-00	1
20	722442-2-00	1

Fig. N.	Part. N. Piece N.	Qt.
1	306337-0-00	1
2	321039-2-00	1
3	729033-2-00	2
4	701005-0-00	1
5	321050-0-00	1
6	321037-0-00	1
7	729013-2-00	1
8	209376-0-10	2
9	703802-0-00	8
10	700005-0-00	8
11	721475-2-00	2
12	321052-0-00	1
13	321054-0-00	1
14	321032-0-00	1
15	704409-2-00	1
16	730033-2-00	1
17	321030-2-00	1
18	722472-2-00	1
19	321028-0-00	1
20	321035-3-00	1
21	321055-0-00	4
22	321043-0-00	1
23	321053-0-00	1
24	321051-0-00	1
25	722063-2-00	2
26	721412-2-00	2

F61-FS-1MD-AA



F61-FS-1EK-AD
 F64-FS-1CA-AB
 F64-FS-1CA-BB
 F64-FS-1MA-AC

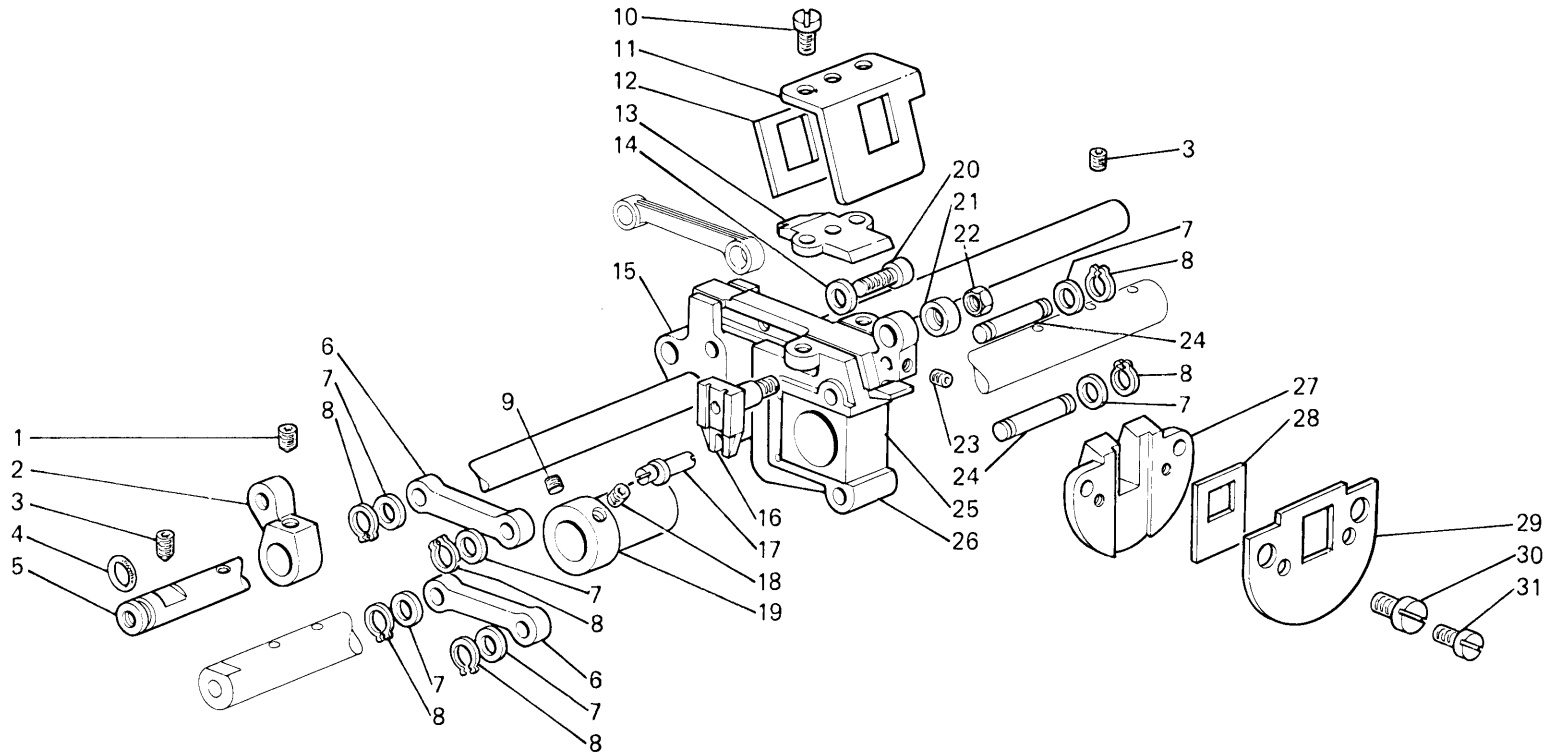
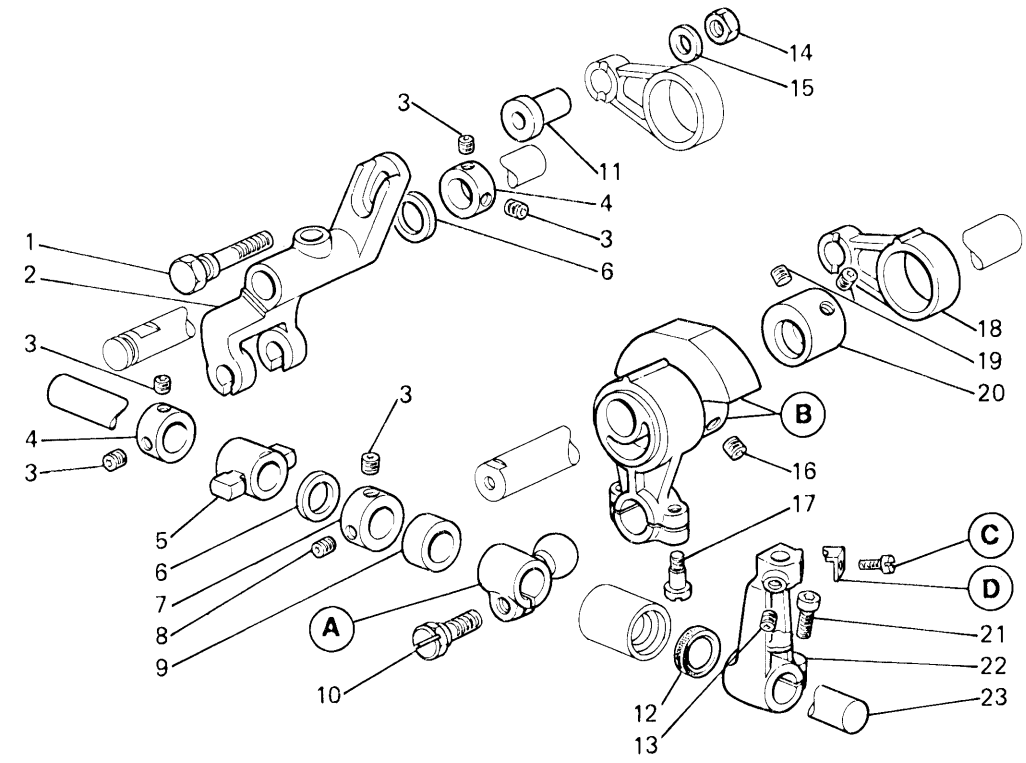


Fig. N.	Part. N. Piece N.	Qt.
1	306337-0-00	1
2	321039-2-00	1
3	729033-2-00	2
4	701005-0-00	1
5	321050-0-00	1
6	209376-0-10	2
7	703802-0-00	8
8	700005-0-00	8
9	729013-2-00	1
10	721475-2-00	2
11	321052-0-00	1
12	321054-0-00	1
13	321032-0-00	1
14	704409-2-00	1
15	321037-0-00	1
16	321073-0-00	1
17	304612-0-11	1
18	730033-2-00	1
19	321030-2-00	1
20	722472-2-00	1
21	321074-0-00	1
22	746407-2-00	1
23	745800-2-00	1
24	321055-0-00	4
25	321028-0-00	1
26	321036-3-00	1
27	321043-0-00	1
28	321053-0-00	1
29	321051-0-00	1
30	722063-2-00	2
31	721412-2-00	2

Fig. N.	Part. N. Piece N.	Qt.
1	321130-0-00	1
2	321097-0-00	1
3	745803-2-00	5
4	202395-2-11	2
5	209308-0-10	1
6	704841-0-00	2
7	321121-2-00	1
8	730023-2-00	1
9	321120-0-00	1
10	201128-0-10	1
11	209297-0-00	1
12	307651-0-00	1
13	745902-2-00	1
14	746021-2-00	1
15	705008-0-00	1
16	729013-2-00	2
17	722089-2-00	2
18	321096-0-00	1
19	745812-2-00	2
20	321095-2-00	1
21	744334-2-00	1
22	321094-2-00	1
23	321116-0-00	1

	(A)	(B)	(C)	(D)
F61-FS-1EK-AD	321117-2-00	321080-3-00	741415-2-00	321126-0-00
F61-FS-1MD-AA	321117-2-00	321080-3-00	741415-2-00	321126-0-00
F64-FS-1CA-AB	321123-2-00	321082-3-00	---	---
F64-FS-1MA-AC	321117-2-00	321080-3-00	741415-2-00	321126-0-00



F64-FS-1CA-BB

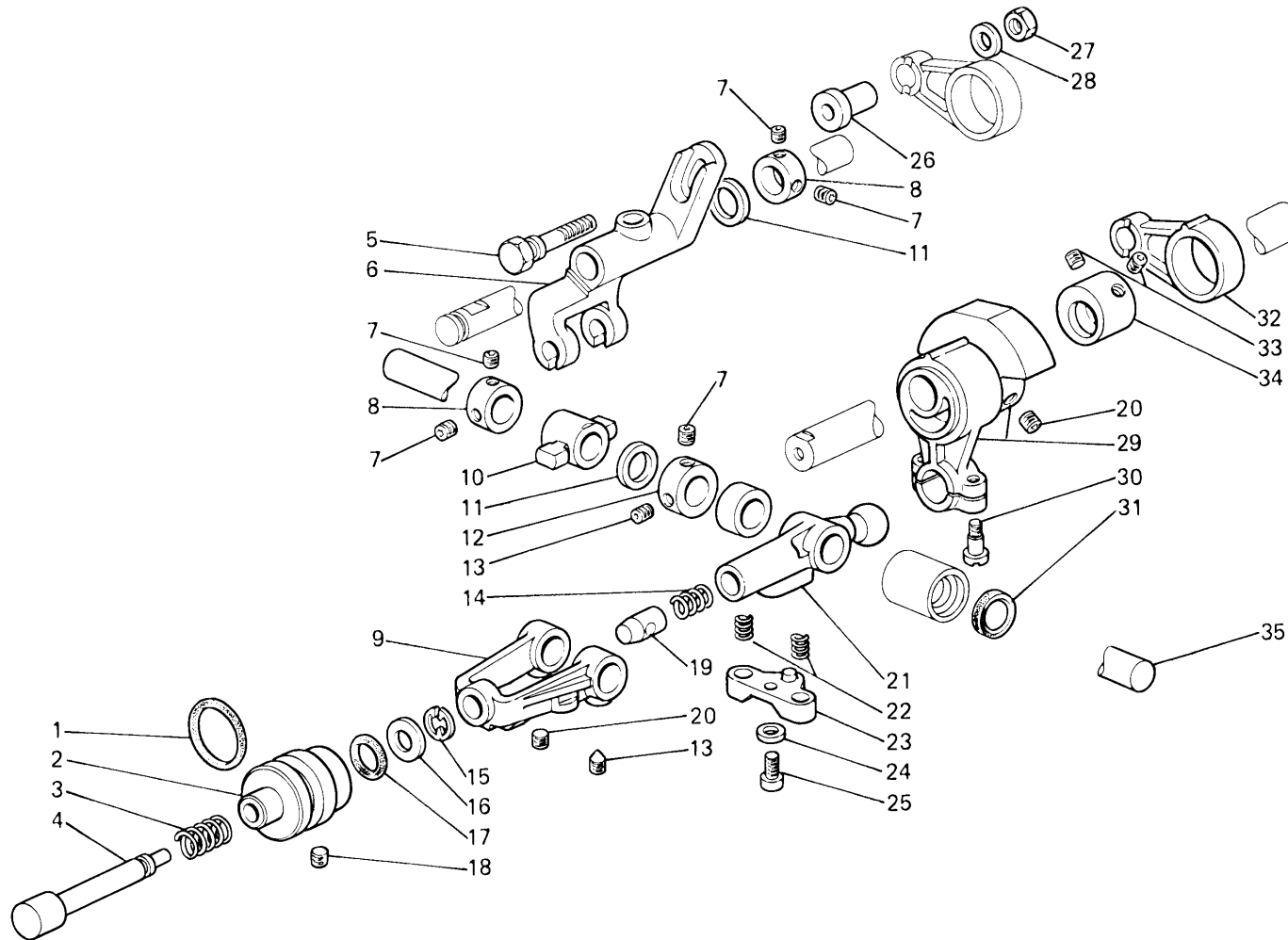
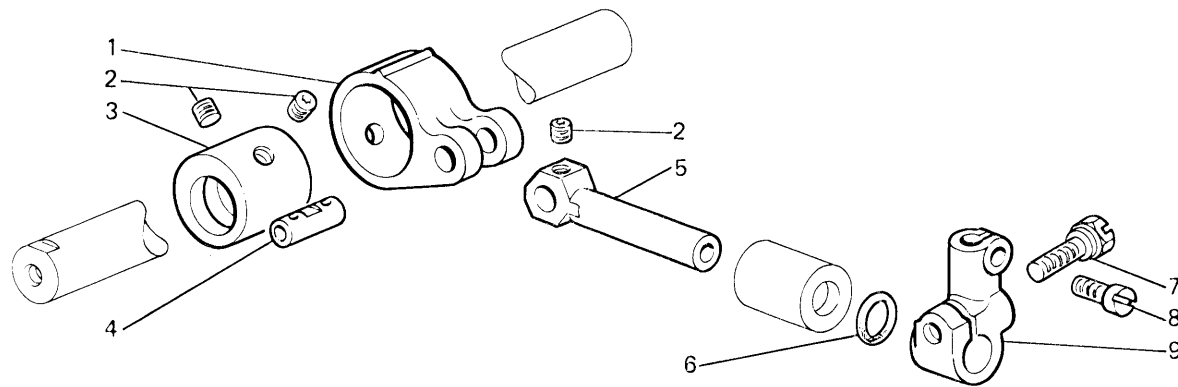


Fig. N.	Part. N. Piece N.	Qt.
1	701124-0-00	1
2	321114-0-00	1
3	311069-0-00	1
4	321113-0-00	1
5	321130-0-00	1
6	321097-0-00	1
7	745803-2-00	5
8	202395-2-11	2
9	321111-2-00	1
10	209308-0-10	1
11	704841-0-00	2
12	321121-2-00	1
13	730023-2-00	2
14	321112-0-00	1
15	700207-0-00	1
16	704314-2-00	1
17	701004-0-00	1
18	729023-0-00	1
19	304172-0-10	1
20	729013-2-00	3
21	321125-0-00	1
22	209283-0-00	2
23	321122-0-00	1
24	704205-2-00	1
25	722410-2-00	1
26	209297-0-00	1
27	746021-2-00	1
28	705008-0-00	1
29	321082-3-00	1
30	722089-2-00	2
31	307651-0-00	1
32	321096-0-00	1
33	745812-2-00	2
34	321095-2-00	1
35	321116-0-00	1

Fig. N.	Part. N. Piece N.	Qt.
1	321161-0-00	1
2	745812-2-00	3
3	321160-2-00	1
4	304710-0-10	1
5	321162-2-00	1
6	701007-0-00	1
7	314248-0-00	1
8	721443-2-00	1
9	321163-2-00	1

F61-FS-1EK-AD
F61-FS-1MD-AA



F61-FS-1EK-AD
 F61-FS-1MD-AA
 F64-FS-1CA-AB
 F64-FS-1CA-BB
 F64-FS-1MA-AC

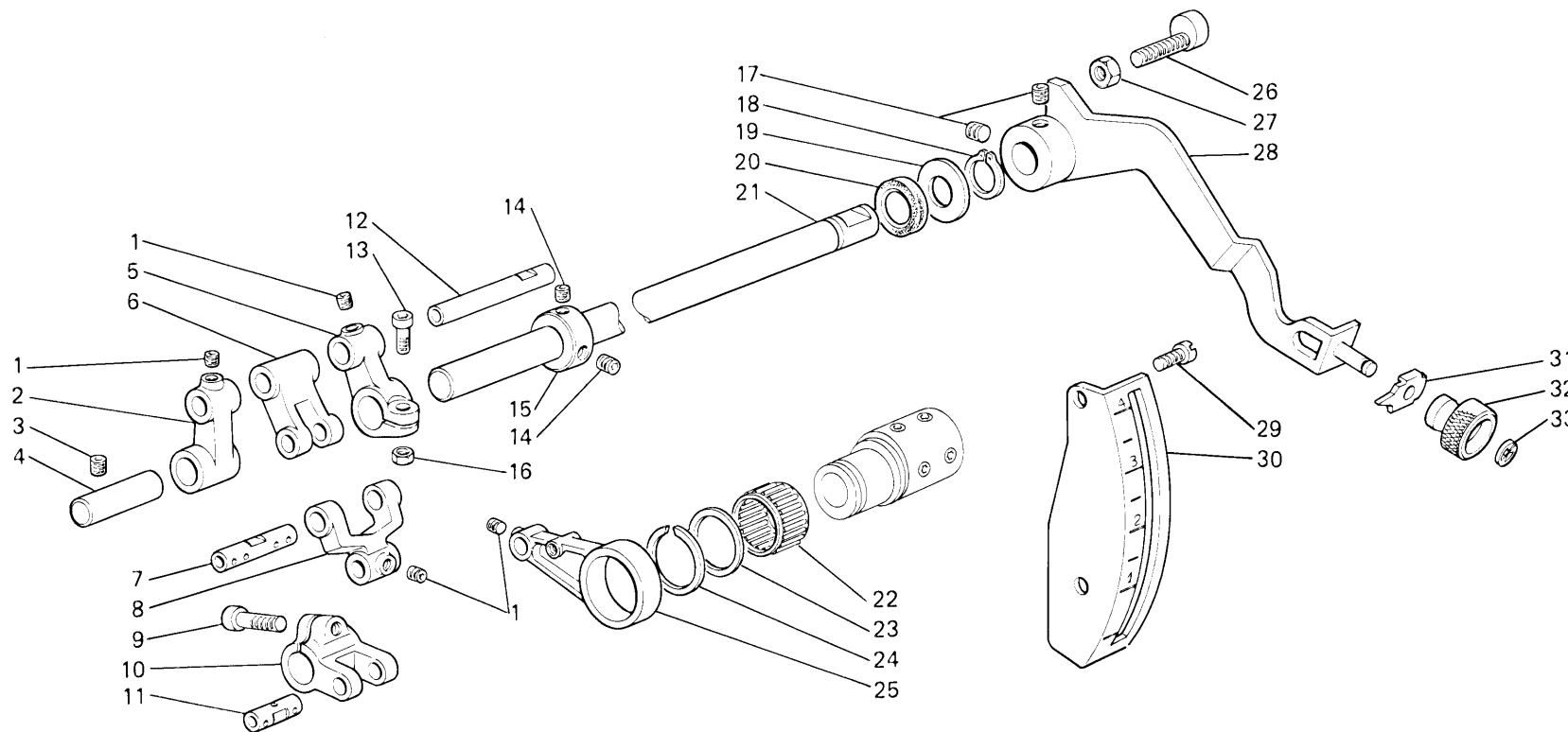
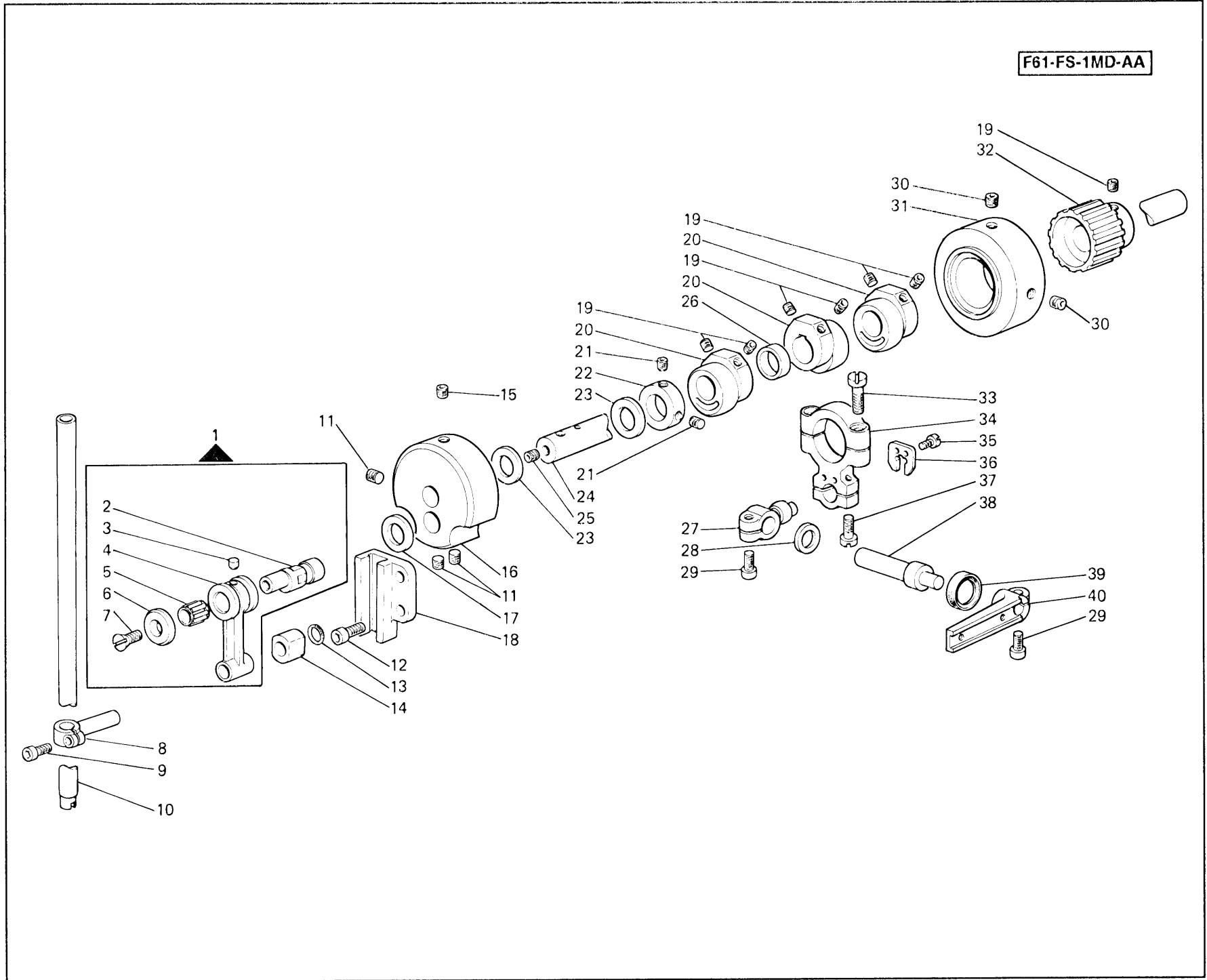


Fig. N.	Part. N. Piece N.	Qt
1	745812-2-00	4
2	321026-2-00	1
3	729033-2-00	1
4	321049-0-00	1
5	321025-2-00	1
6	321070-0-00	1
7	311106-0-00	1
8	321071-2-00	1
9	744334-2-00	1
10	321072-2-00	1
11	307704-0-00	1
12	311114-0-00	1
13	722443-2-00	1
14	729013-2-00	2
15	311385-2-00	1
16	746204-2-00	1
17	745827-2-00	2
18	700012-0-00	1
19	705036-0-00	1
20	311166-0-00	1
21	321069-0-00	1
22	321023-0-00	1
23	321021-0-00	1
24	315812-0-00	1
25	321022-2-00	1
26	321312-0-00	1
27	746021-2-00	1
28	321066-2-00	1
29	742027-2-00	2
30	321059-0-00	1
31	206796-0-00	1
32	206798-0-00	1
33	700207-0-00	1

Fig. N.	Part. N. Piece N.	Qt.
1	321492-3-00	1
2	321490-0-00	1
3	209439-0-00	1
4	315046-2-00	1
5	206518-0-01	1
6	315130-0-00	1
7	321491-0-00	1
8	315021-2-01	1
9	722420-2-00	1
10	315024-0-01	1
11	745827-2-00	3
12	722433-2-00	2
13	701007-0-00	1
14	315023-0-00	1
15	304788-0-10	1
16	321496-2-00	1
17	704866-0-00	1
18	315027-0-00	1
19	745815-2-00	10
20	315025-2-00	3
21	729012-2-00	2
22	315203-2-00	1
23	704869-0-00	2
24	315013-2-10	1
25	729024-2-00	1
26	315055-0-00	1
27	315052-2-00	1
28	705027-0-00	1
29	744332-2-00	2
30	729264-2-00	2
31	315145-2-00	1
32	321179-2-00	1
33	722119-2-00	2
34	315050-2-00	1
35	741658-2-00	2
36	207700-0-00	1
37	722089-2-00	2
38	315053-0-00	1
39	315852-0-00	1
40	350018-2-02	1



F61-FS-1EK-AD
 F64-FS-1CA-AB
 F64-FS-1CA-BB
 F64-FS-1MA-AC

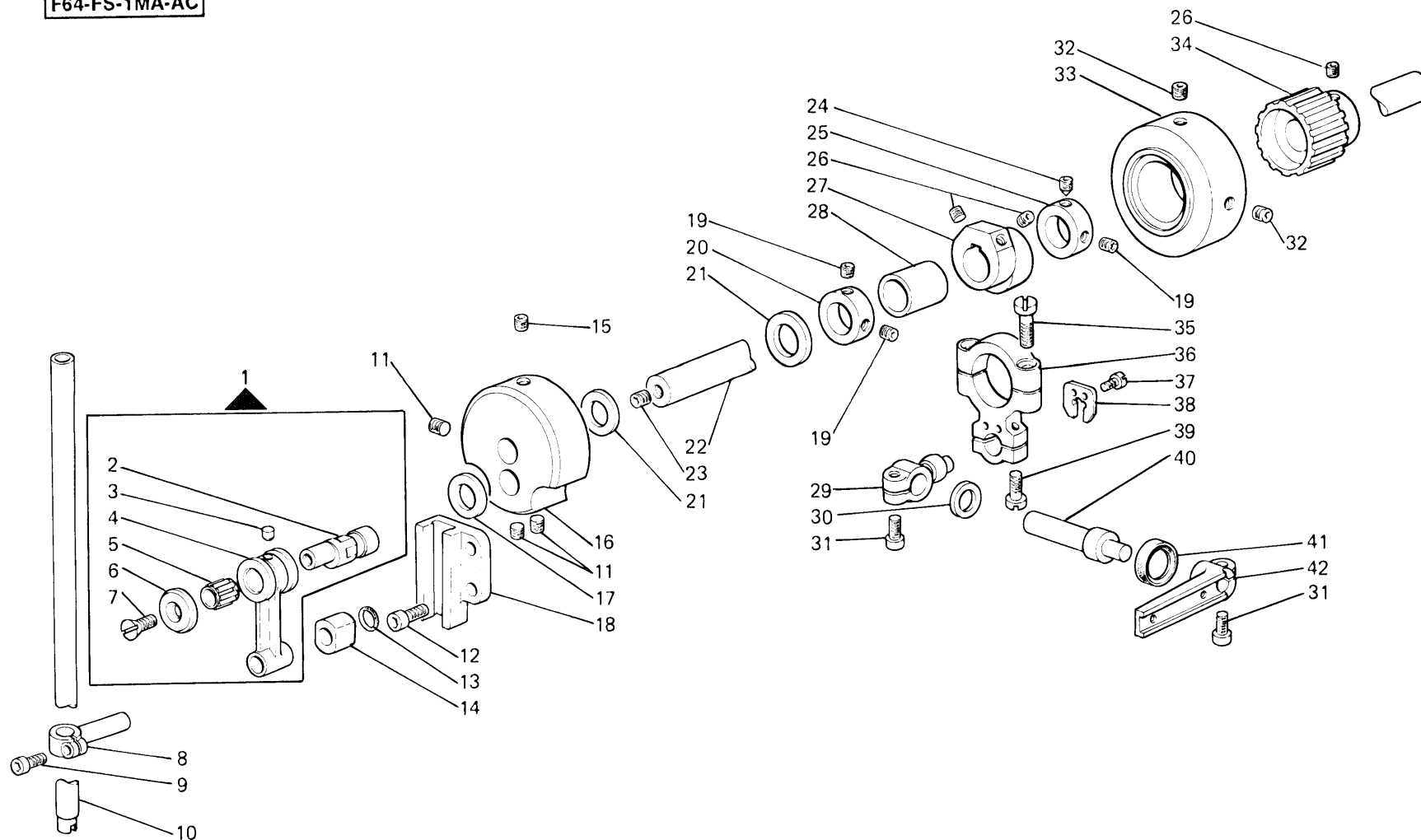
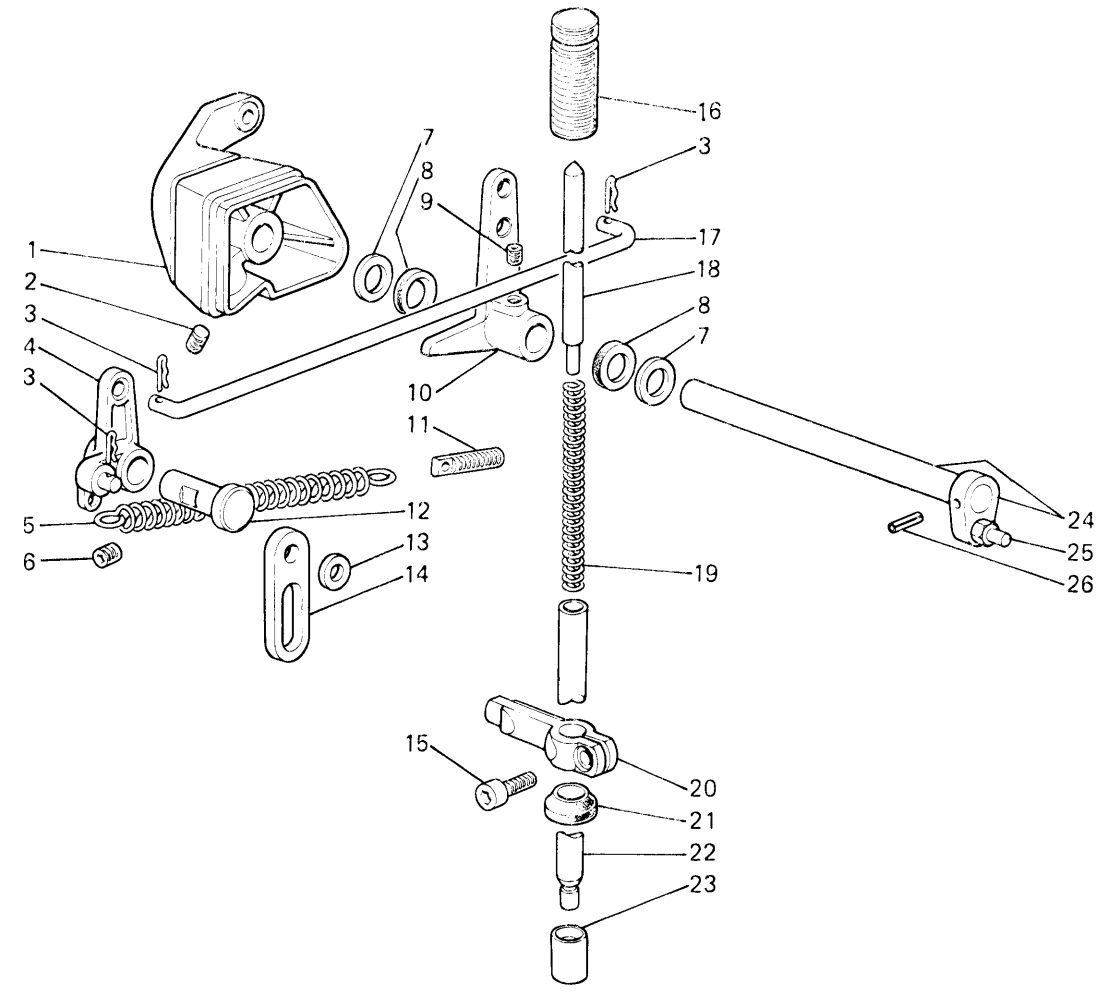


Fig. N.	Part. N. / Piece N.	Qt.
1	321492-3-00	1
2	321490-0-00	1
3	209439-0-00	1
4	315046-2-00	1
5	206518-0-01	1
6	315130-0-00	1
7	321491-0-00	1
8	315021-2-01	1
9	722420-2-00	1
10	315024-0-01	1
11	745827-2-00	3
12	722433-2-00	2
13	701007-0-00	1
14	315023-0-00	1
15	304788-0-10	1
16	321496-2-00	1
17	704866-0-00	1
18	315027-0-00	1
19	729013-2-00	3
20	309830-2-00	1
21	704869-0-00	2
22	315013-2-10	1
23	729024-2-00	1
24	730033-2-00	1
25	309831-2-00	1
26	745815-2-00	6
27	315025-2-00	1
28	321483-0-00	1
29	315052-2-00	1
30	705027-0-00	1
31	744332-2-00	2
32	729264-2-00	2
33	315145-2-00	1
34	321179-2-00	1
35	722119-2-00	2
36	315050-2-00	1
37	741658-2-00	2
38	207700-0-00	1
39	722089-2-00	2
40	315053-0-00	1
41	315852-0-00	1
42	350018-2-02	1

F61-FS-1MD-AA

Fig. N.	Part. N. Piece N.	Qt.
1	315032-2-00	1
2	729054-2-00	2
3	315141-0-00	3
4	315036-0-00	1
5	315037-0-00	1
6	729023-2-00	1
7	704240-2-00	2
8	304763-0-10	2
9	745827-2-00	1
10	315034-2-00	1
11	315045-0-00	1
12	315039-0-00	1
13	314182-0-00	1
14	315038-0-00	1
15	722421-2-00	1
16	315049-0-00	1
17	315035-0-00	1
18	315043-0-00	1
19	315042-0-00	1
20	321484-2-00	1
21	315128-0-00	1
22	321485-0-00	1
23	321486-0-00	1
24	315033-2-00	1
25	315070-0-00	1
26	707271-0-00	1



F61-FS-1EK-AD
F64-FS-1CA-BB

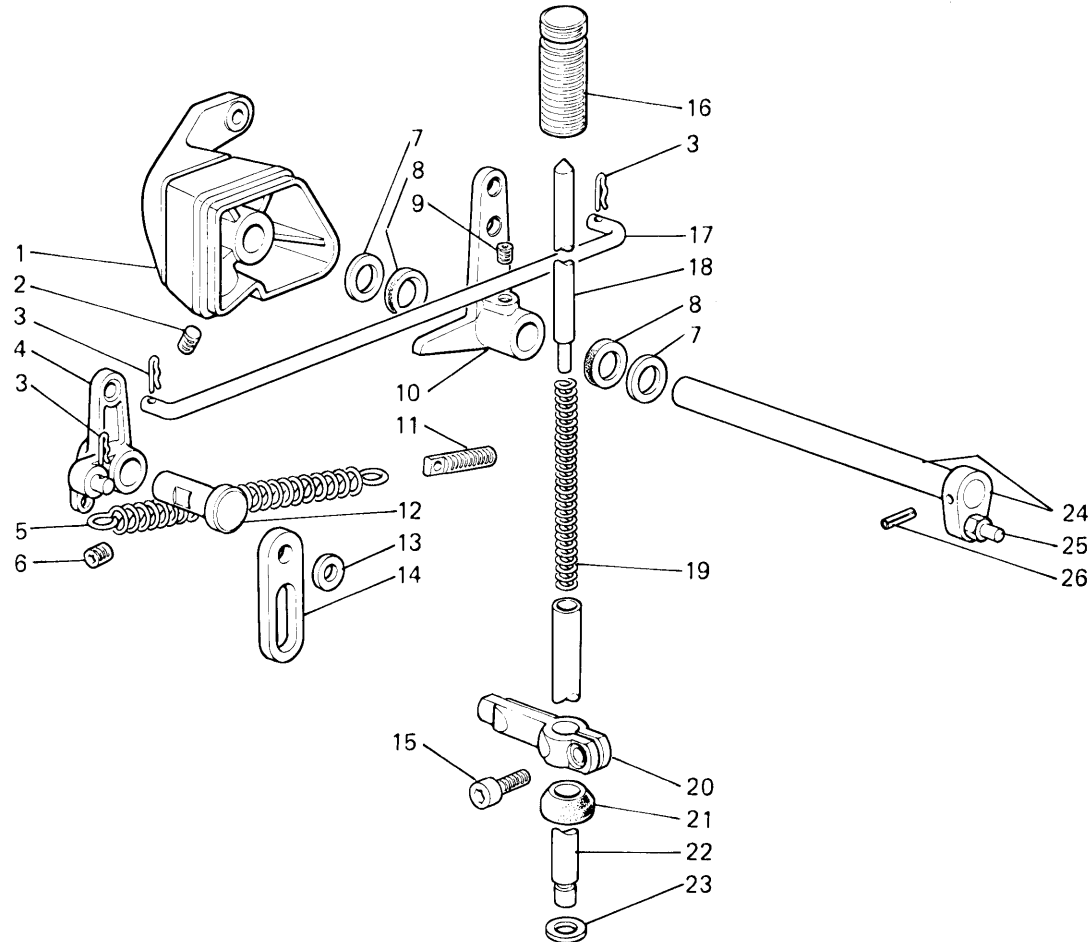
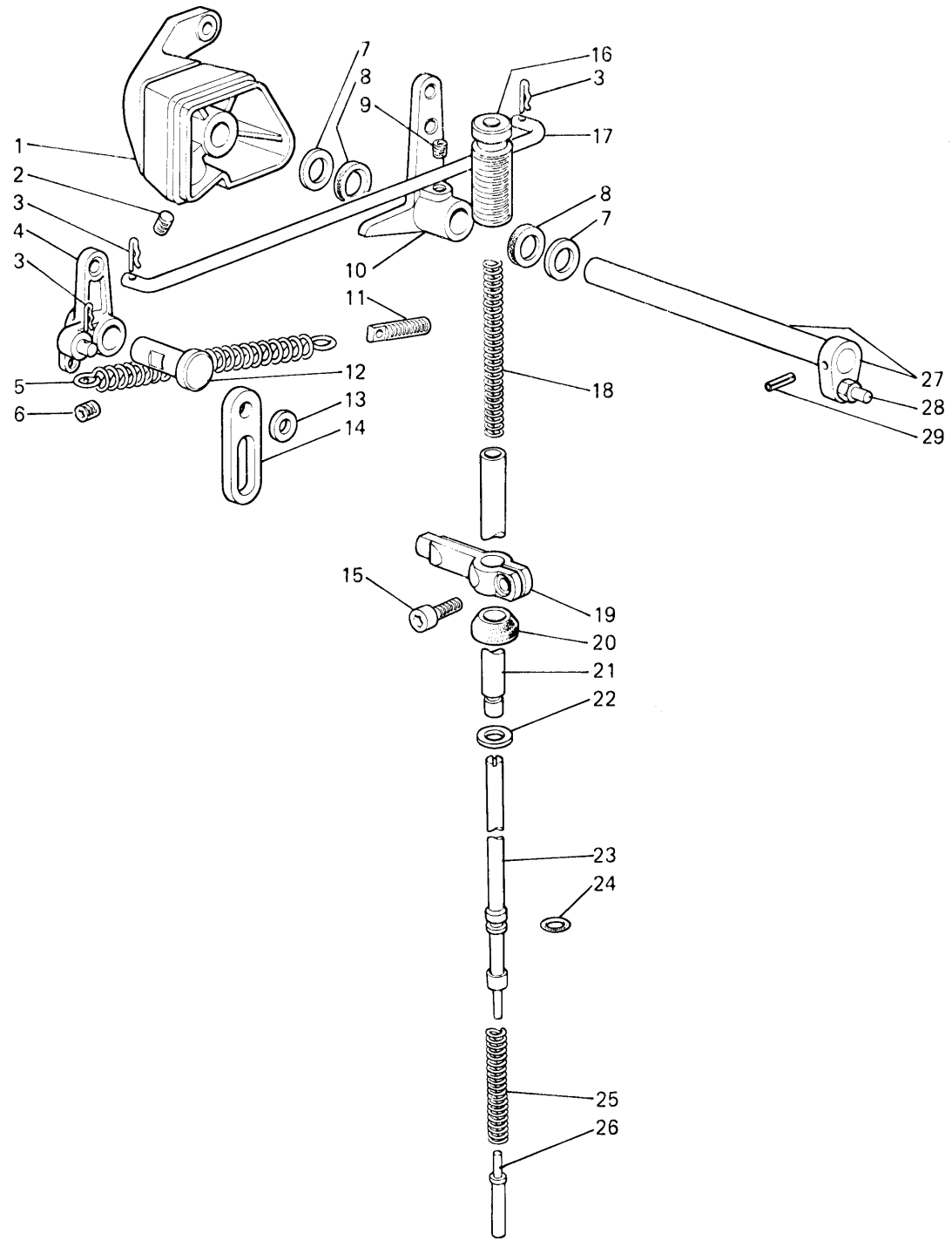


Fig. N.	Part. N. Piece N.	Qt.
1	315032-2-00	1
2	729054-2-00	2
3	315141-0-00	3
4	315036-0-00	1
5	315037-0-00	1
6	729023-2-00	1
7	704240-2-00	2
8	304763-0-10	2
9	745827-2-00	1
10	315034-2-00	1
11	315045-0-00	1
12	315039-0-00	1
13	314182-0-00	1
14	315038-0-00	1
15	722421-2-00	1
16	315049-0-00	1
17	315035-0-00	1
18	315043-0-00	1
19	315042-0-00	1
20	321484-2-00	1
21	315128-0-00	1
22	321485-0-00	1
23	206602-0-00	1
24	315033-2-00	1
25	315070-0-00	1
26	707271-0-00	1

Fig. N.	Part. N. Picea N.	Qt.
1	315032-2-00	1
2	729054-2-00	2
3	315141-0-00	3
4	315036-0-00	1
5	315037-0-00	1
6	729023-2-00	1
7	704240-2-00	2
8	304763-0-10	2
9	745827-2-00	1
10	315034-2-00	1
11	315045-0-00	1
12	315039-0-00	1
13	314182-0-00	1
14	315038-0-00	1
15	722421-2-00	1
16	321493-0-00	1
17	315035-0-00	1
18	315042-0-00	1
19	321484-2-00	1
20	315128-0-00	1
21	321494-0-00	1
22	206602-0-00	1
23	321495-0-00	1
24	701003-0-00	1
25	309609-0-00	1
26	309611-0-00	1
27	315033-2-00	1
28	315070-0-00	1
29	707271-0-00	1



F64-FS-1CA-AB
F64-FS-1MA-AC

- F61-FS-1EK-AD
- F61-FS-1MD-AA
- F64-FS-1CA-AB
- F64-FS-1CA-BB
- F64-FS-1MA-AC

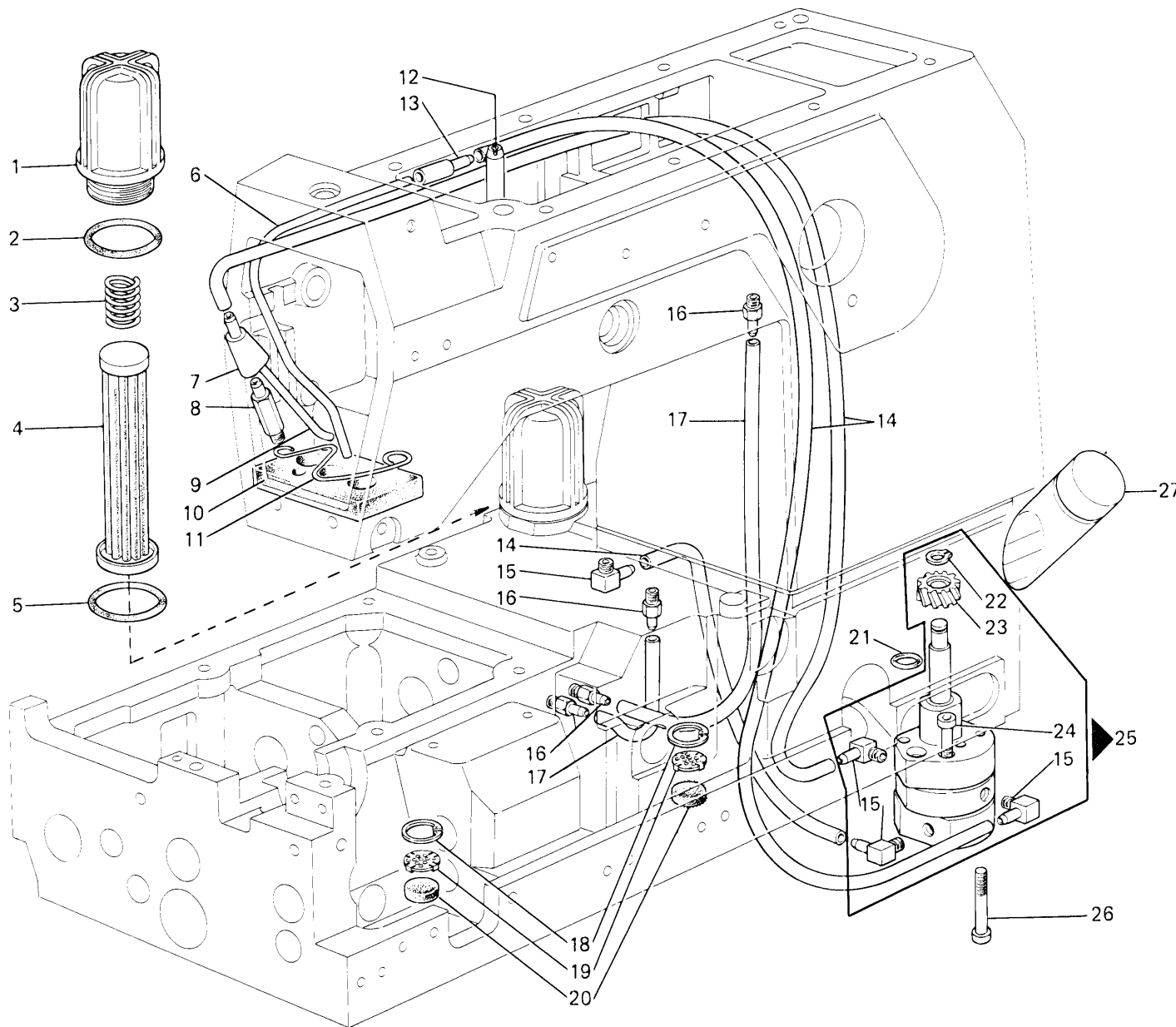
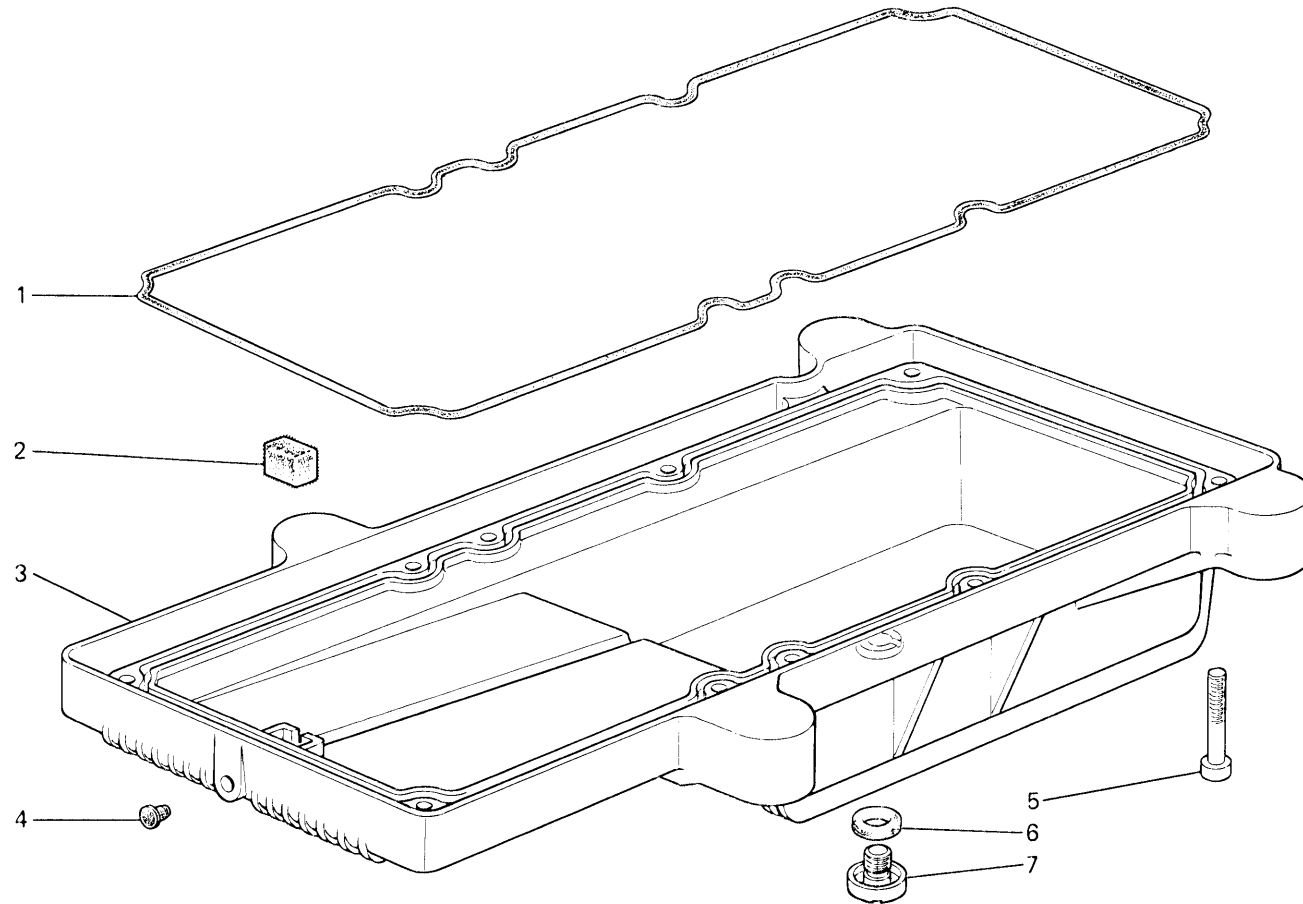


Fig. N.	Part. N. / Piece N.	Qt.
1	211053-0-01	1
2	701042-0-00	1
3	922369-0-00	1
4	211052-0-00	1
5	701123-0-00	1
6	M295170305	
7	321213-0-00	1
8	315166-0-00	1
9	M295173005	
10	315220-0-00	1
11	315221-0-00	1
12	315044-0-00	1
13	321214-0-00	1
14	M295779610	
15	926409-0-01	4
16	315164-0-00	4
17	M295171476	
18	700116-0-00	2
19	315895-0-00	2
20	211128-0-00	2
21	701004-0-00	1
22	700006-0-00	1
23	321212-0-00	1
24	722491-2-00	2
25	321204-4-00	1
26	722521-2-00	2
27	321210-0-00	1

Fig. N.	Part. N. / Piece N.	Qt.
1	321201-0-00	1
2	321211-0-00	1
3	321200-0-00	1
4	207893-0-00	1
5	722463-2-00	8
6	701015-0-00	1
7	321206-0-00	1

F61-FS-1EK-AD
F61-FS-1MD-AA
F64-FS-1CA-AB
F64-FS-1CA-BB
F64-FS-1MA-AC



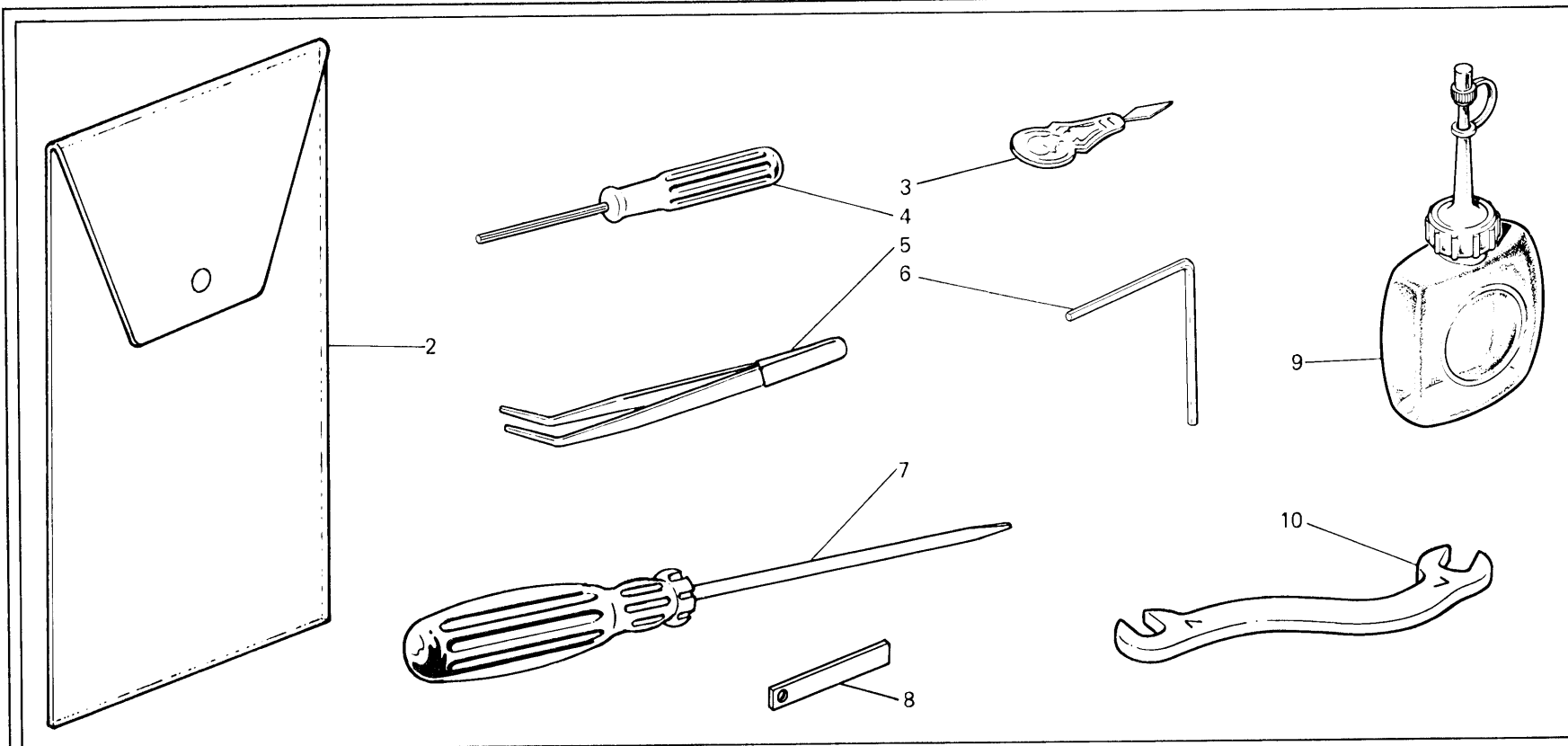
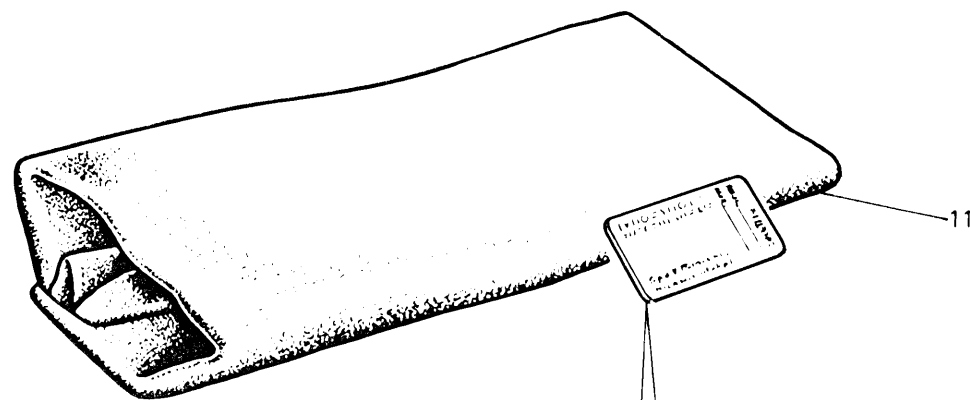
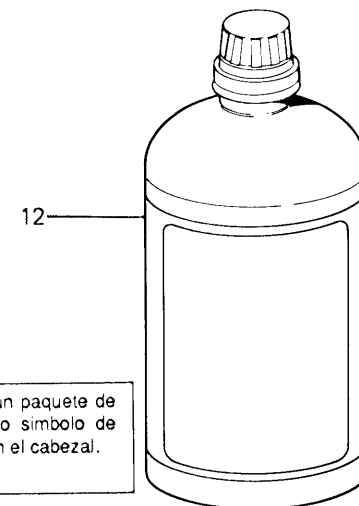


Fig. N.	Part. N. Piece N.	Qt.
1	991414-4-01	1
2	991415-0-00	1
3	990188-0-10	1
4	990474-0-11	1
5	990176-0-10	1
6	211625-0-00	1
7	990723-0-00	1
8	315910-0-00	1
9	990175-0-10	1
10	990625-0-00	1
11	990578-0-13	1
12	991512-0-00	1



F61-FS-1EK-AD
 F61-FS-1MD-AA
 F64-FS-1CA-AB
 F64-FS-1CA-BB
 F64-FS-1MA-AC



Per l'ordinazione della bustina aghi citare lo stesso simbolo dell'ago montato sulla testa.

To order packet of needles please specify symbol of needle fitted on machine.

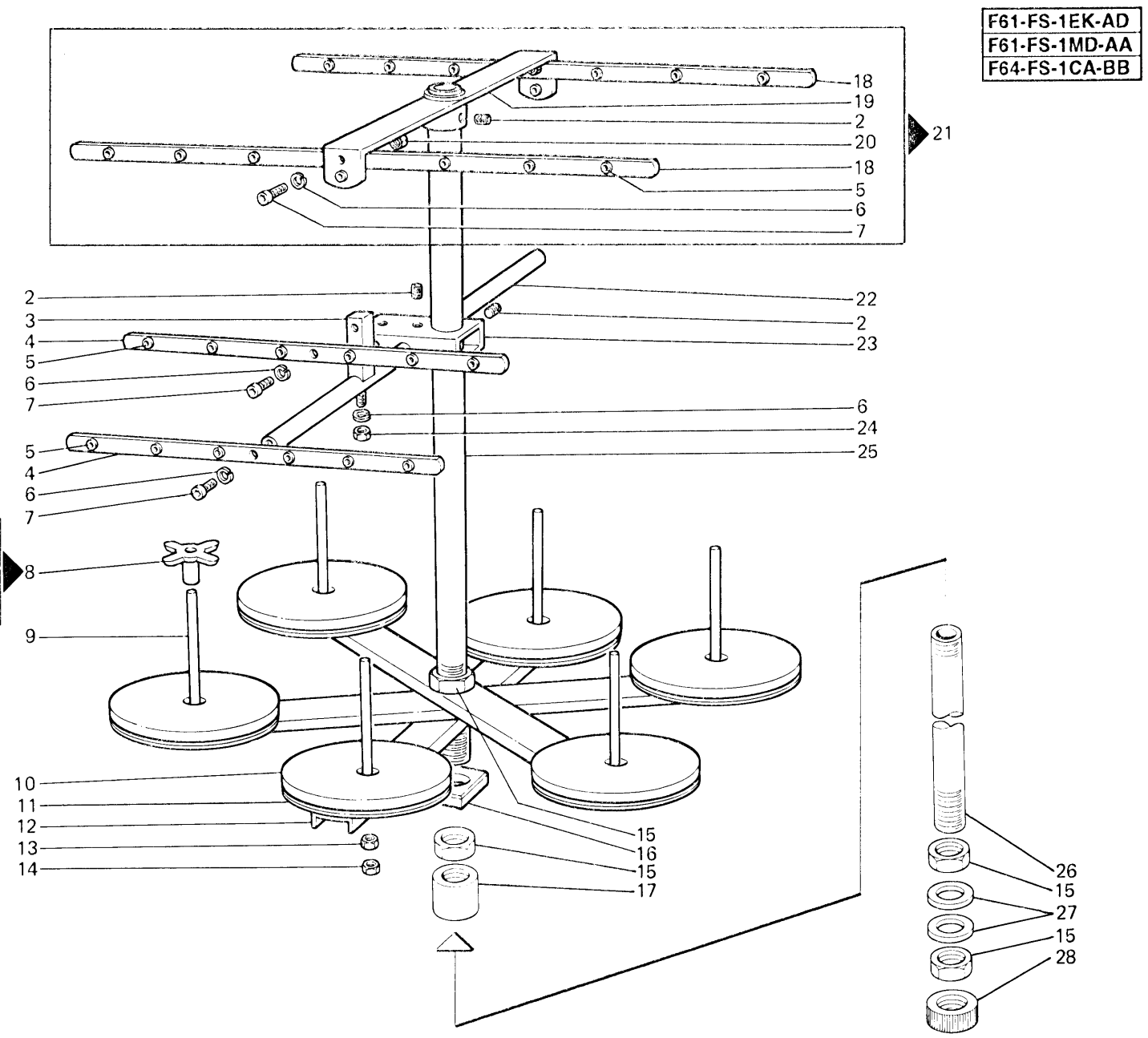
Pour commander un sachet d'aiguilles donner le symbol de l'aiguille montee sur la tête.

Un die Nadelnpackung zu bestellen bitte das gleiche Nadelsymbol wie die an Naehekopf umgebaute Nadel zu geben.

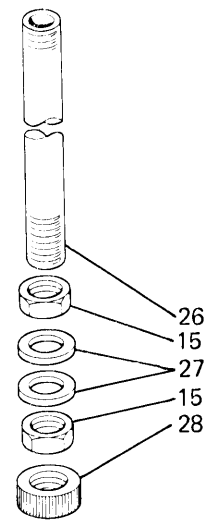
Para el pedido de un paquete de agujas, citar el mismo simbolo de la aguja montada en el cabezal.

Fig. N.	Part. N. / Piece N.	Qt.
1	991135-5-02	1
2	729034-2-00	3
3	991269-2-00	1
4	991137-2-02	2
5	991268-0-00	24
6	703005-0-00	5
7	722431-2-00	4
8	991134-0-00	6
9	991111-2-00	6
10	991179-0-01	6
11	991112-0-00	6
12	991199-0-00	3
13	733508-2-00	6
14	925433-0-00	6
15	733211-2-00	4
16	991172-0-00	3
17	991219-0-00	1
18	991143-0-10	2
19	991246-2-00	1
20	733505-2-00	2
21	991193-4-00	1
22	991264-2-00	1
23	991279-2-00	1
24	733806-0-00	1
25	991206-0-00	1
26	991267-0-00	1
27	704017-2-00	2
28	991383-0-10	1

A RICHIESTA
ON REQUEST
SUR DEMANDE
AUF ANFRAGE
CON SOLICITUD



F61-FS-1EK-AD
F61-FS-1MD-AA
F64-FS-1CA-BB



F64-FS-1CA-AB
F64-FS-1MA-AC

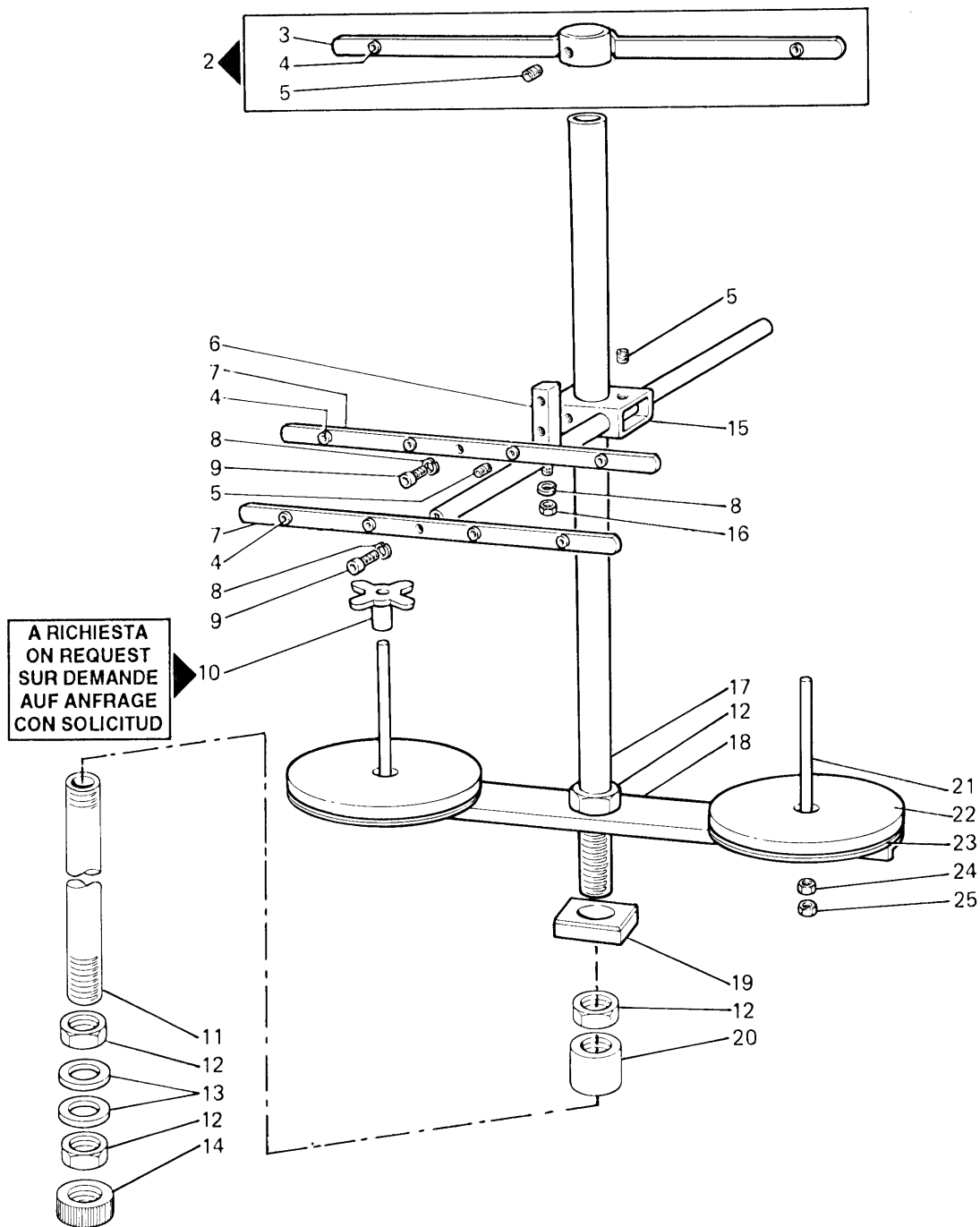


Fig. N.	Part. N. Piece N.	Qt.
1	991100-5-02	1
2	991197-4-00	1
3	991102-2-10	1
4	991268-0-00	10
5	729034-2-00	3
6	991269-2-00	1
7	991108-2-01	2
8	703005-0-00	3
9	722431-2-00	2
10	991134-0-00	2
11	991267-0-00	1
12	733211-2-00	4
13	704017-2-11	2
14	991383-0-10	1
15	991278-2-00	1
16	733806-0-00	1
17	991206-0-00	1
18	991199-0-00	1
19	991172-0-00	1
20	991219-0-00	1
21	991111-2-00	2
22	991179-0-01	2
23	991112-0-00	2
24	733508-2-00	2
25	925433-0-00	2

GRUPPI DI COMPOSIZIONE - COMPOSITION KITS - GROUPES DE KIT - KIT GRUPPEN - GRUPOS DE COMPOSICION

PIASTRA PORTA PLACCA
SUPPORTING PLATE
SUPPORT PORTE PLAQUE
STICHPLATTETRAEGER
PLANCHUELA PORTA PLACA

WFS-1B

WFS-1B-001-00-0

WFS-1B-003-00-0

Rim®

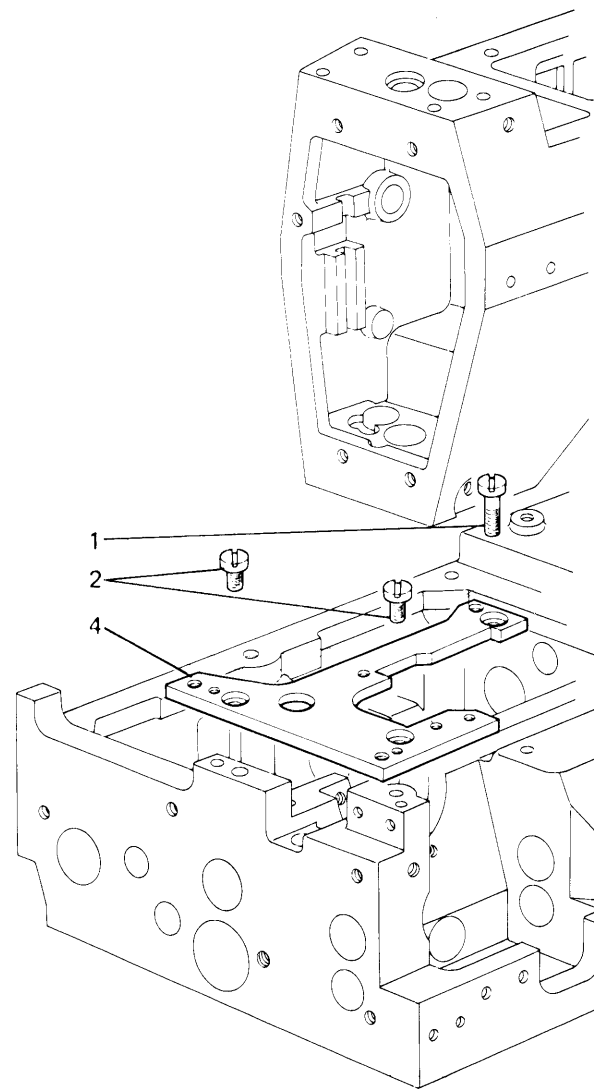
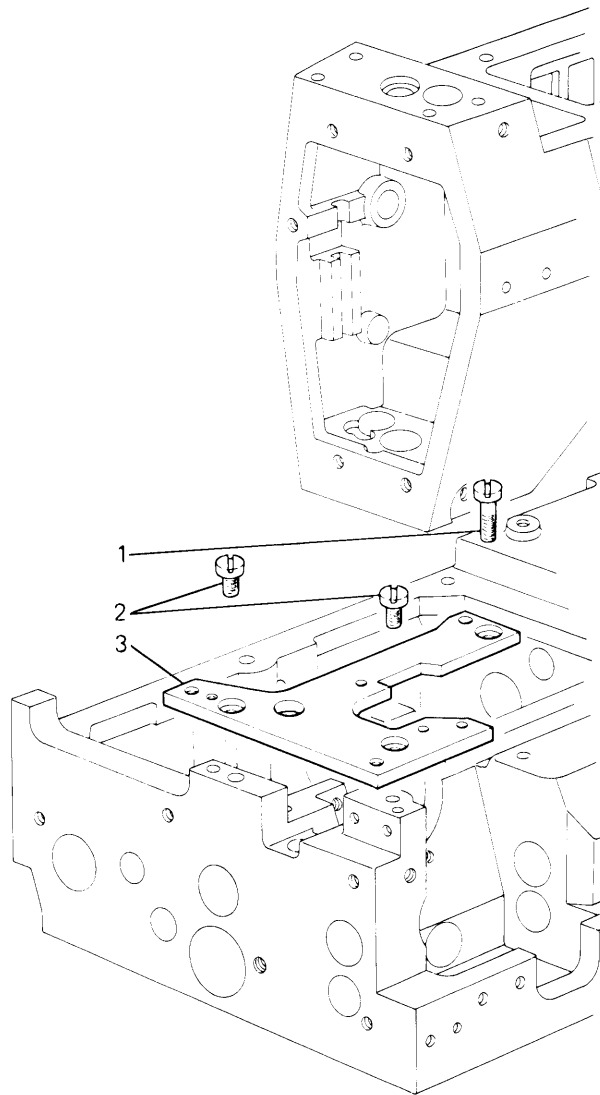


Fig. N.	Part. N. Piece N.	Qt
1	321304-0-00	1
2	302355-0-10	2
3	321302-2-00	1
4	321305-2-00	1

GRUPPI DI COMPOSIZIONE - COMPOSITION KITS - GROUPES DE KIT - KIT GRUPPEN - GRUPOS DE COMPOSICION

TENSIONI
TENSIONS
TENSIONS
SPANNUNG
TENDEHILOS

WFS-1C

WFS-1C-001-00-0

Rim®

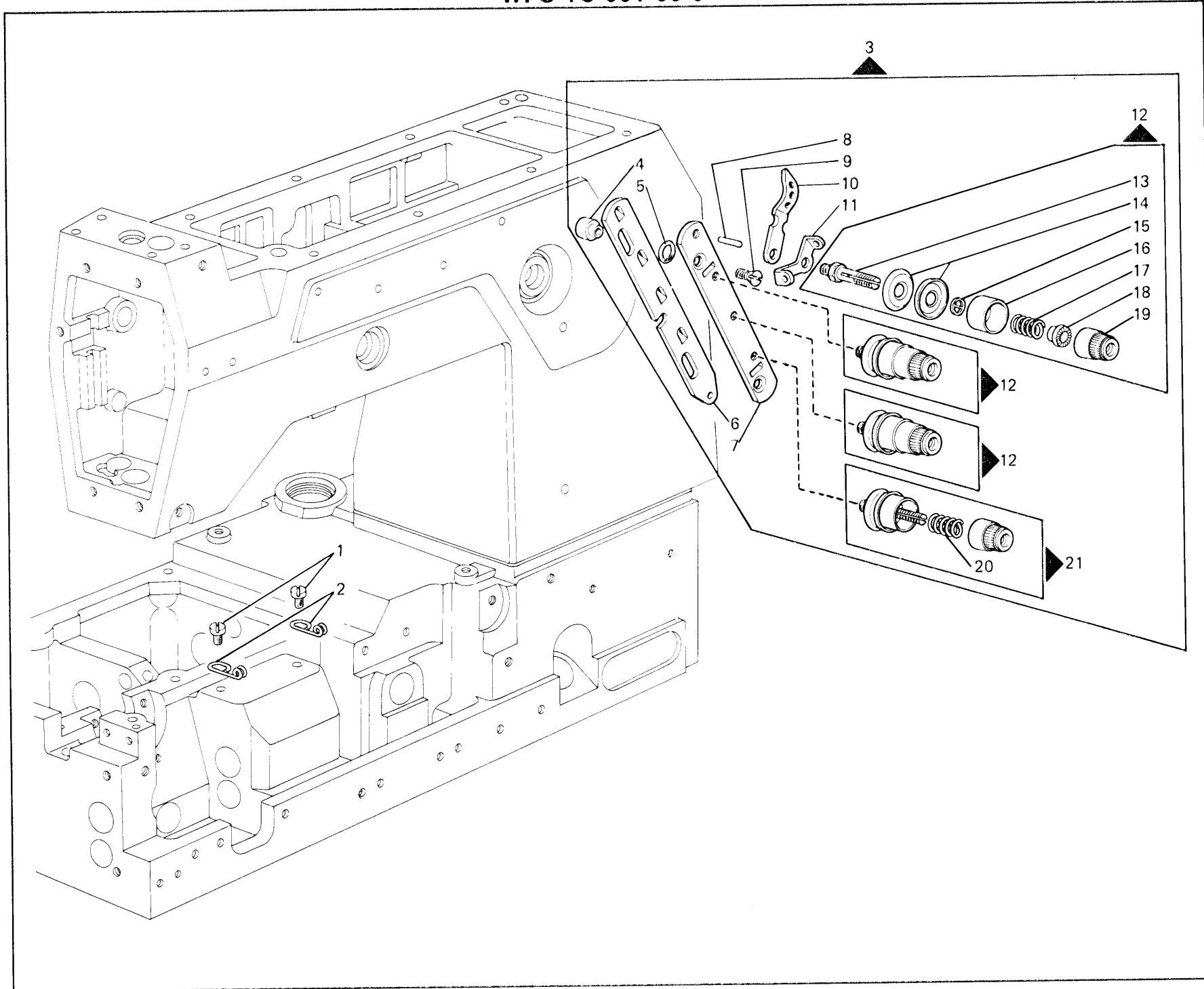


Fig. N.	Part N. Piece N.	Qt.
1	741936-2-00	2
2	300827-0-20	2
3	315074-4-00	1
4	315071-0-00	2
5	701405-0-00	2
6	315072-0-00	1
7	315073-0-00	1
8	308506-0-00	4
9	724947-2-00	2
10	308501-0-01	4
11	308503-0-01	4
12	308518-4-00	3
13	308505-0-00	4
14	300218-0-10	8
15	308507-0-00	4
16	202556-0-01	4
17	200710-0-10	3
18	202229-0-11	4
19	202558-0-00	4
20	200714-0-10	1
21	308521-4-00	1

WFS-1C-002-00-0

Rim®

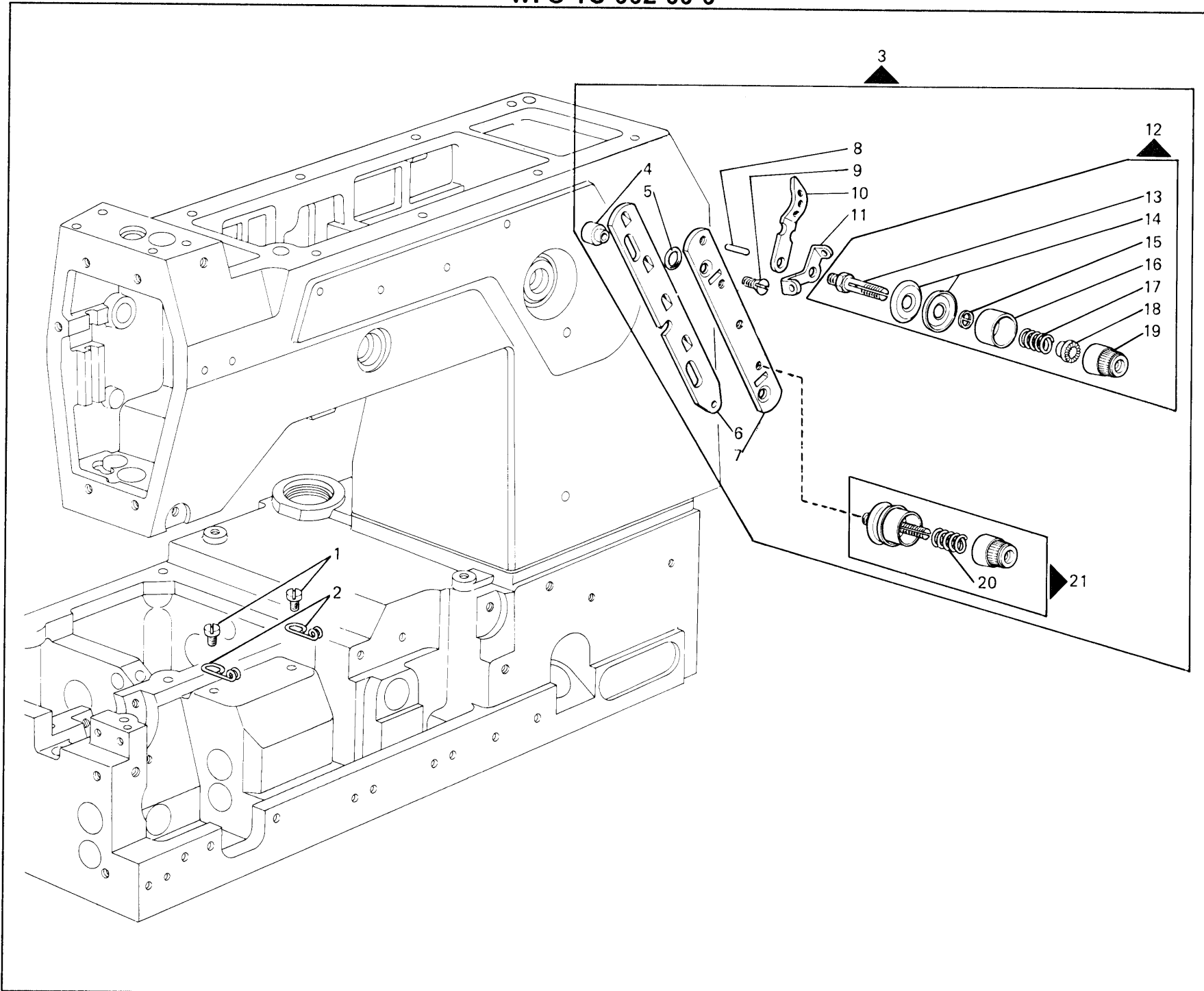


Fig. N.	Part. N. / Piece N.	Qt.
1	741936-2-00	2
2	300827-0-20	2
3	321480-4-00	1
4	315071-0-00	2
5	701405-0-00	2
6	315072-0-00	1
7	315073-0-00	1
8	308506-0-00	2
9	724947-2-00	2
10	308501-0-01	2
11	308503-0-01	2
12	308518-4-00	1
13	308505-0-00	2
14	300218-0-10	4
15	308507-0-00	2
16	202556-0-01	2
17	200710-0-10	1
18	202229-0-11	2
19	202558-0-00	2
20	200714-0-10	1
21	308521-4-00	1

GRUPPI DI COMPOSIZIONE - COMPOSITION KITS - GROUPES DE KIT - KIT GRUPPEN - GRUPOS DE COMPOSICION

PULLER
PULLER
PULLER
ABZUGSWALZEN
RODILLOS

WFS-01

WFS-01-001-00-0

Rim®

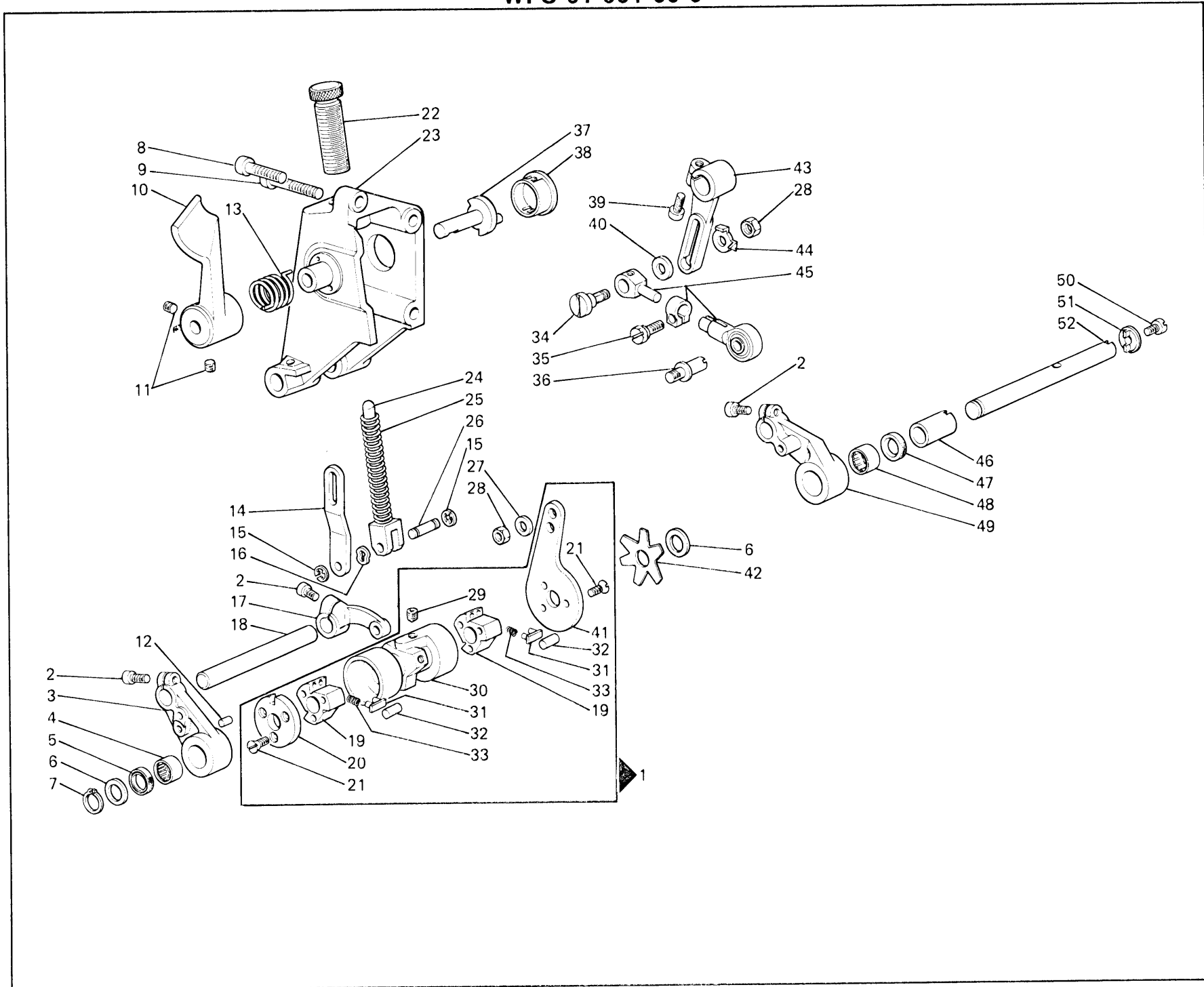


Fig. N.	Part. N. Piece N.	Qt.
1	307715-4-01	1
2	722432-2-00	3
3	307658-3-10	1
4	307664-0-00	1
5	307651-0-00	1
6	705027-0-00	2
7	700010-0-00	1
8	722443-2-00	1
9	722523-2-00	2
10	307616-2-01	1
11	729033-2-00	2
12	706434-0-00	1
13	307701-0-00	1
14	307615-0-10	1
15	700206-0-00	2
16	307605-0-00	1
17	307612-2-10	1
18	307762-0-01	1
19	301523-0-10	2
20	307629-0-00	1
21	724471-0-00	6
22	307705-0-00	1
23	315100-2-00	1
24	307618-0-10	1
25	301510-0-10	1
26	307617-0-10	1
27	704314-2-00	1
28	746203-4-00	2
29	730033-2-00	1
30	307627-2-00	1
31	301530-2-10	6
32	301527-0-10	6
33	301531-0-10	12
34	315144-0-00	1
35	305194-0-00	1
36	307634-0-00	1
37	307656-0-11	1
38	315101-0-00	1
39	722442-2-00	1
40	704812-0-00	1
41	307633-0-02	1
42	307632-0-00	1
43	315089-2-00	1
44	304073-0-11	1
45	315146-3-00	1
46	307624-0-00	1
47	308119-0-00	1
48	307622-0-00	1
49	307668-3-10	1
50	742458-0-00	1
51	307630-0-00	1
52	307625-0-00	1

GRUPPI DI COMPOSIZIONE - COMPOSITION KITS - GROUPES DE KIT - KIT GRUPPEN - GRUPOS DE COMPOSICION

RULLI
ROLLERS
ROULEAUX
DOSIERUNGSWALZE
RODILLOS

WFS-03

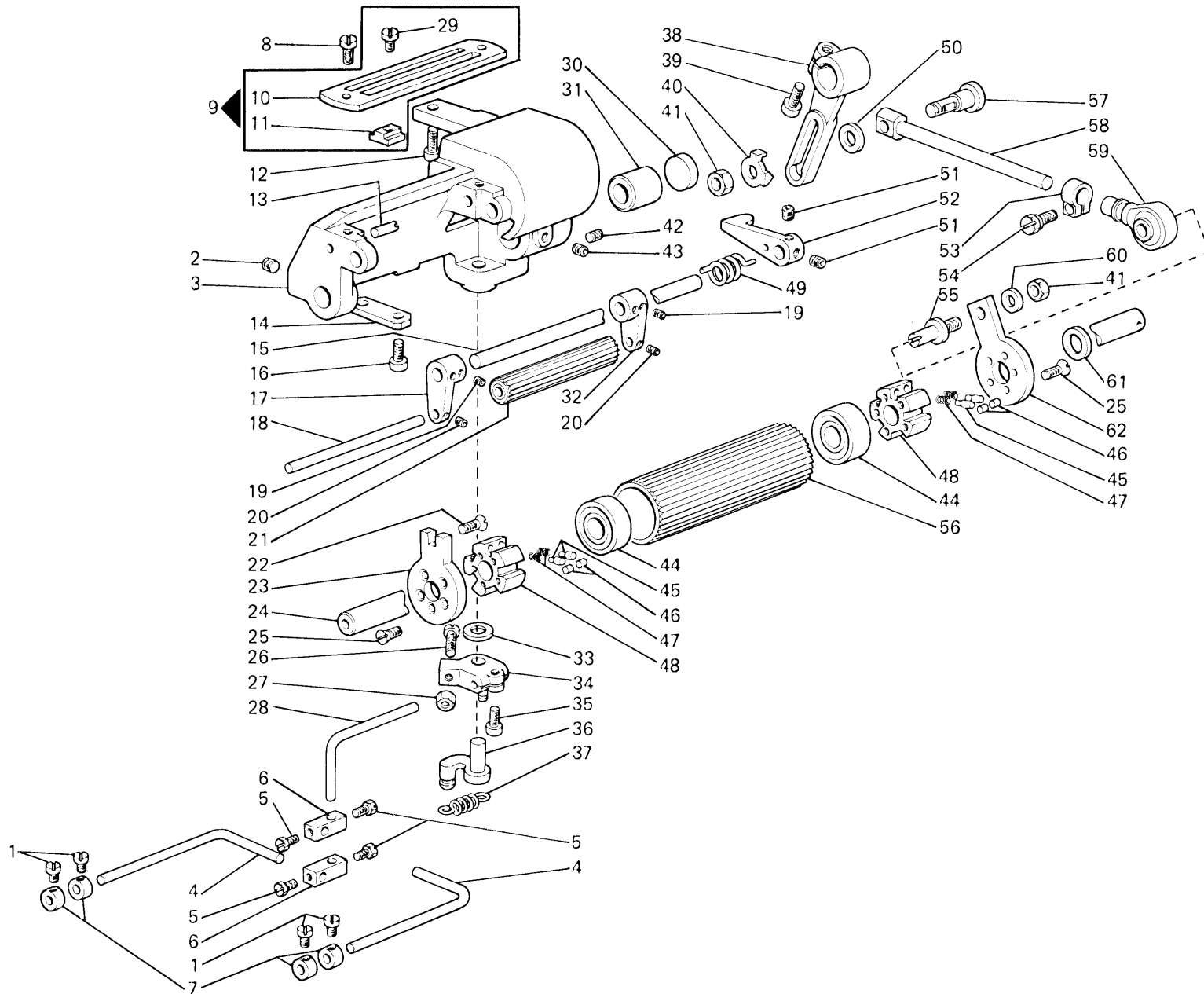


Fig. N.	Part. N. Piece N.	Qt.
1	742811-0-00	4
2	729033-2-00	1
3	315105-2-00	1
4	304459-0-10	2
5	740220-2-00	4
6	304460-0-10	2
7	304458-0-10	4
8	721412-2-00	2
9	304473-4-10	1
10	304472-0-10	1
11	203949-0-10	4
12	722432-2-00	2
13	304482-0-00	1
14	315127-0-00	1
15	315114-0-00	1
16	722422-2-00	2
17	304438-2-10	1
18	304474-0-10	1
19	727014-2-00	4
20	745002-0-00	2
21	304568-2-00	1
22	744553-0-00	1
23	315107-0-00	1
24	315109-0-00	1
25	724460-0-00	10
26	722082-2-00	1
27	746002-2-00	1
28	929431-0-00	1
29	741403-0-00	4
30	206865-0-00	1
31	315111-0-00	1
32	304437-2-10	1
33	704819-0-00	1
34	304453-2-10	1
35	722411-2-00	1
36	929424-0-00	1
37	304457-0-10	1
38	315089-2-00	1
39	722442-2-00	1
40	304073-0-11	1
41	746203-4-00	2
42	729042-2-00	1
43	730033-2-00	1
44	990976-0-00	2
45	310796-0-00	20
46	100891-0-10	20
47	310795-0-00	20
48	304589-0-01	2
49	304441-0-10	1
50	704812-0-00	1
51	745812-2-00	2
52	304424-2-10	1
53	308326-2-01	1
54	305194-0-00	1
55	307634-0-00	1
56	315106-0-00	1
57	315144-0-00	1
58	315139-0-00	1
59	315839-2-00	1
60	704314-2-00	1
61	704841-0-00	1
62	315108-0-00	1

GRUPPI DI COMPOSIZIONE - COMPOSITION KITS - GROUPES DE KIT - KIT GRUPPEN - GRUPOS DE COMPOSICION

ATTREZZATURE VARIE
VARIOUS EQUIPMENT
EQUIPEMENT DIVERS
ANDERE BAUTEILE
EQUIPOS VARIOS

WFS-05

WFS-05-004-00-0

Rim®

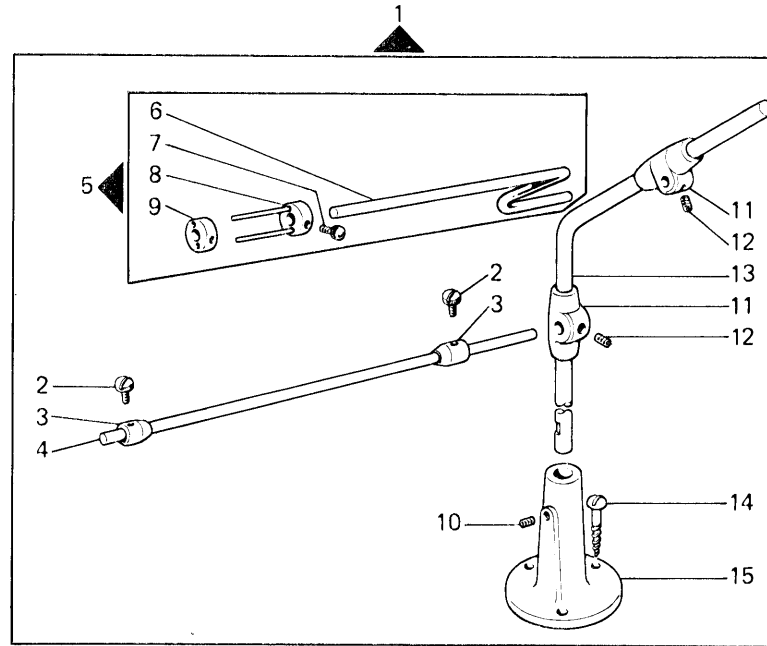


Fig. N.	Part. N. Piece N.	Qt.
1	990709-4-12	1
2	990596-0-10	2
3	990594-2-00	2
4	990593-0-11	1
5	990705-4-11	1
6	990704-0-11	1
7	930096-0-10	2
8	990707-2-10	1
9	990708-0-10	1
10	729054-2-00	1
11	991153-2-00	2
12	729024-2-00	4
13	990703-0-11	1
14	991114-2-00	1
15	731107-2-00	3

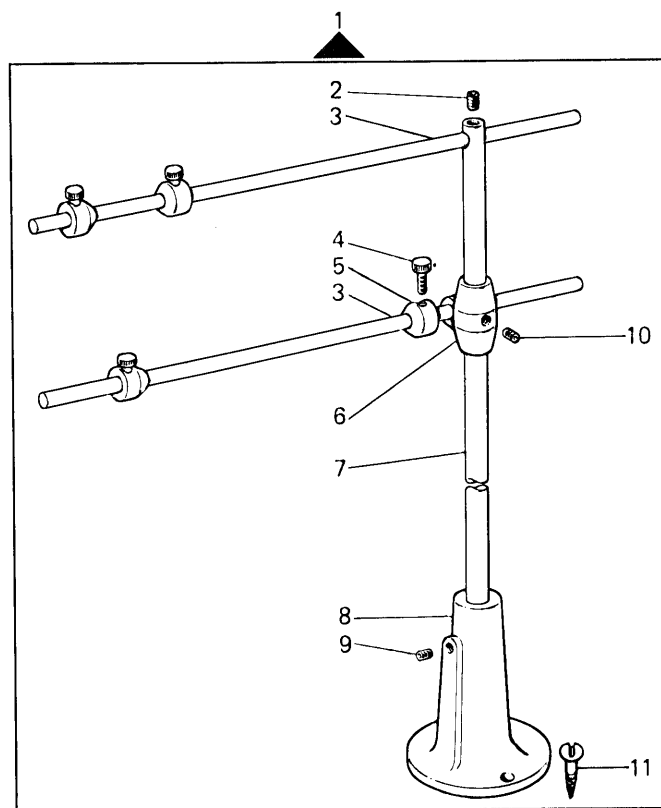


Fig. N.	Part. N. Piece N.	Qt.
1	990650-4-12	1
2	729033-2-00	1
3	990593-0-11	2
4	990596-0-00	4
5	990594-2-00	4
6	991153-2-00	1
7	990592-0-11	1
8	991114-2-00	1
9	729054-2-00	1
10	729024-2-00	2
11	731107-2-00	3
12	930105-0-10	1

GRUPPI DI COMPOSIZIONE - COMPOSITION KITS - GROUPES DE KIT - KIT GRUPPEN - GRUPOS DE COMPOSICION

GRUPPO COMANDO
CONTROL ASSEMBLY
GROUPE COMMANDE
WALZENSTEUERUNG
GRUPO MANDO

WFS-06

WFS-06-001-00-0

Rim®

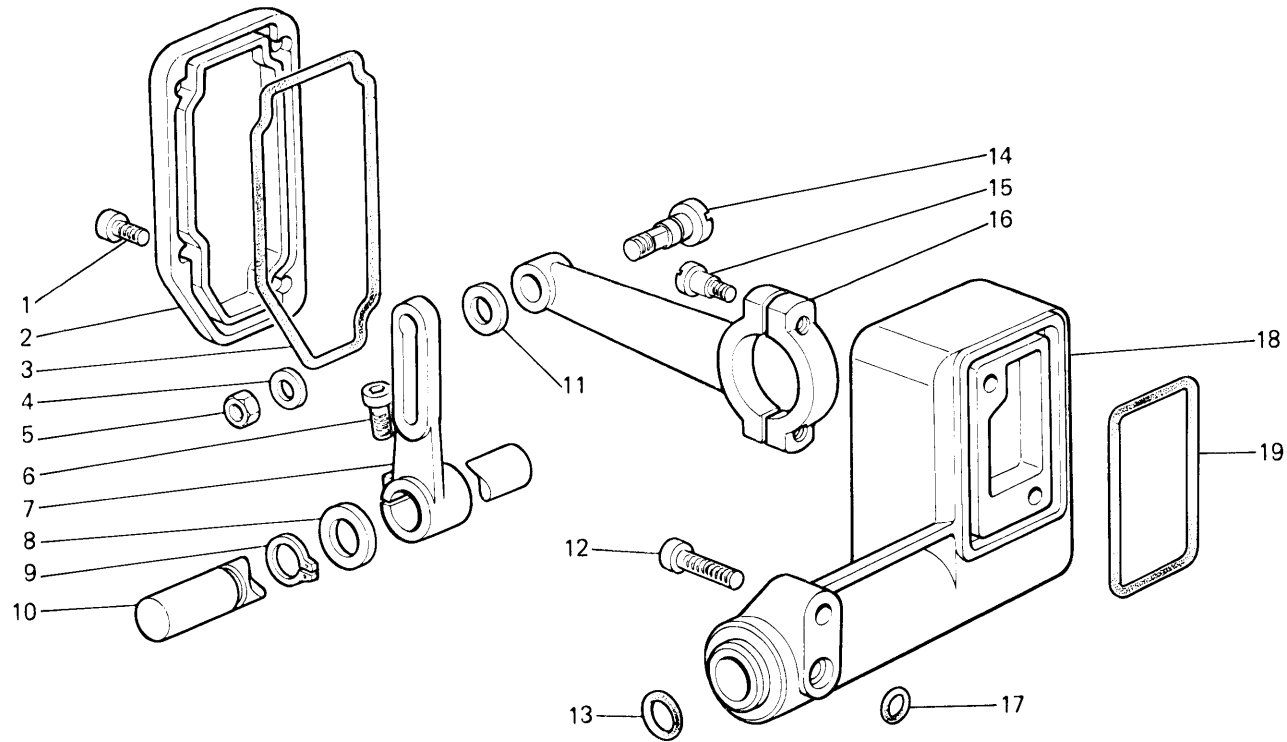


Fig. N.	Part. N. Piece N.	Qt.
1	722411-2-00	4
2	315094-0-00	1
3	315093-0-00	1
4	704109-2-00	1
5	746203-4-00	1
6	722442-2-00	1
7	315089-2-00	1
8	704856-0-00	1
9	700013-0-00	1
10	315088-0-00	1
11	704814-0-00	1
12	722433-2-00	3
13	701017-0-00	1
14	315060-0-00	1
15	722119-2-00	2
16	315091-2-00	1
17	701004-0-00	1
18	315085-2-00	1
19	315092-0-00	1

GRUPPI DI COMPOSIZIONE - COMPOSITION KITS - GROUPES DE KIT - KIT GRUPPEN - GRUPOS DE COMPOSICION

COPERTURA
COVERING
RECouvreMENT
LEGEFADEN
COBERTURA

WFS-10

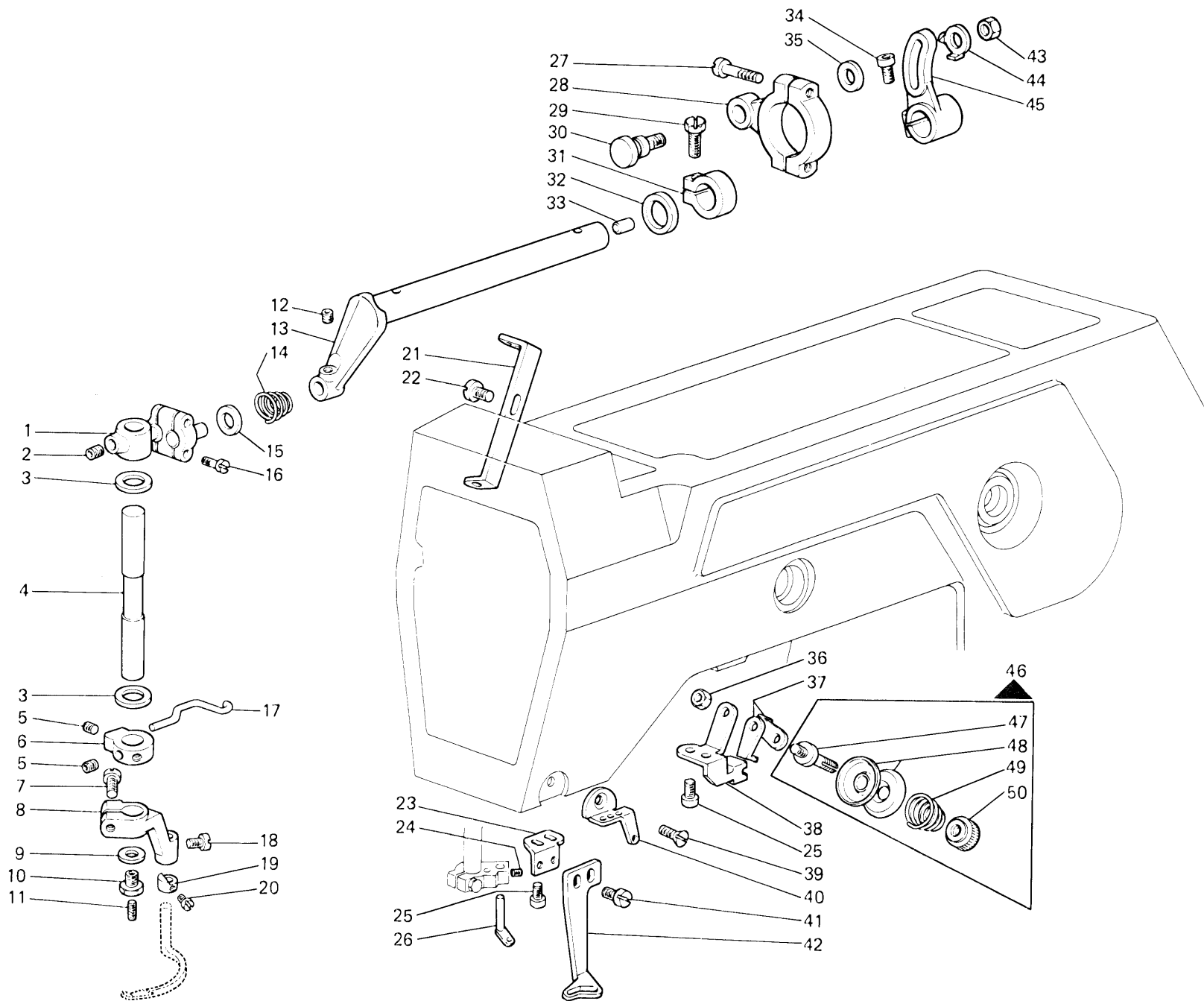


Fig. N.	Part. N. Piece N.	Qt.
1	315062-3-00	1
2	730033-2-00	1
3	705027-0-00	2
4	315069-0-00	1
5	745812-2-00	3
6	315065-2-00	1
7	721494-2-00	1
8	315066-2-00	1
9	705008-0-00	1
10	308078-0-00	1
11	729051-2-00	1
12	745815-2-00	1
13	315059-2-00	1
14	302289-0-10	1
15	705839-0-00	1
16	741559-2-00	4
17	308869-0-00	1
18	741724-0-00	1
19	315129-2-00	1
20	745810-2-00	1
21	315123-0-00	1
22	303045-0-10	1
23	315068-0-00	1
24	745800-2-00	1
25	722411-2-00	4
26	302146-0-10	1
27	722119-2-00	2
28	315057-2-00	1
29	300482-0-10	1
30	315060-0-00	1
31	314189-2-00	1
32	704852-0-00	1
33	302334-0-10	1
34	722442-2-00	1
35	704814-0-00	1
36	746007-2-00	1
37	308874-0-00	2
38	315067-0-00	1
39	724420-2-00	1
40	308890-0-00	1
41	741658-2-00	2
42	308751-0-00	1
43	746203-4-00	1
44	304073-0-10	1
45	315058-2-00	1
46	308864-4-01	1
47	308862-0-01	1
48	308863-0-00	2
49	308860-0-00	1
50	308861-0-00	1

GRUPPI DI COMPOSIZIONE - COMPOSITION KITS - GROUPES DE KIT - KIT GRUPPEN - GRUPOS DE COMPOSICION

PULLER
PULLER
PULLER
ABZUGSWALZEN
RODILLOS

WFS-11

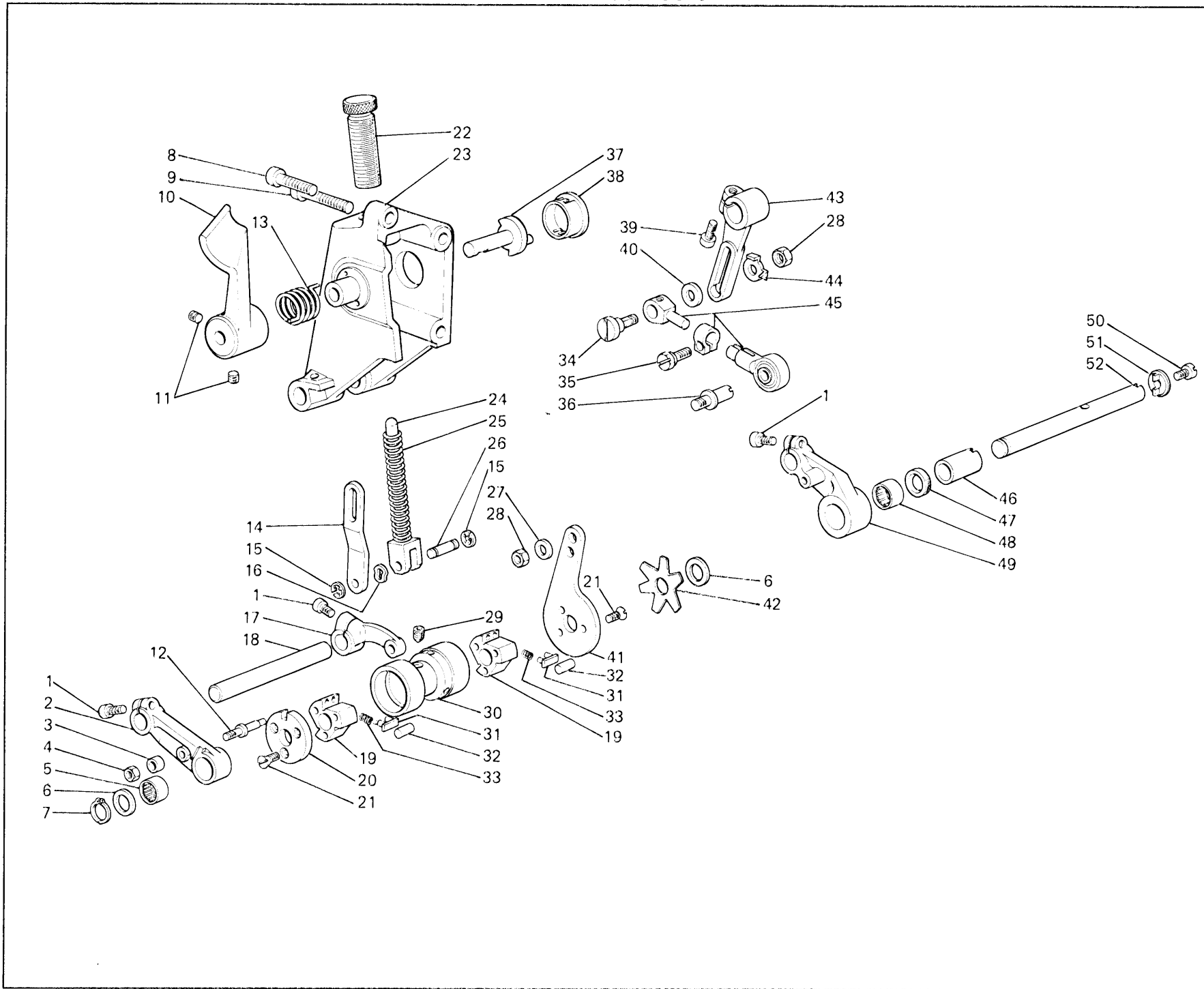


Fig. N.	Part. N. Piece N.	Qt.
1	722432-2-00	3
2	321286-2-00	1
3	321288-0-00	1
4	746003-0-00	1
5	307664-0-00	1
6	705027-0-00	2
7	700010-0-00	1
8	722443-2-00	1
9	722523-2-00	2
10	307616-2-01	1
11	729033-2-00	2
12	321287-0-00	1
13	307701-0-00	1
14	307615-0-10	1
15	700206-0-00	2
16	307605-0-00	1
17	307612-2-10	1
18	307762-0-01	1
19	301523-0-10	2
20	307629-0-00	1
21	724471-0-00	6
22	307705-0-00	1
23	315100-2-00	1
24	307618-0-10	1
25	301510-0-10	1
26	307617-0-10	1
27	704314-2-00	1
28	746203-4-00	2
29	730033-2-00	1
30	321285-2-00	1
31	301530-2-10	6
32	301527-0-10	6
33	301531-0-10	12
34	315144-0-00	1
35	305194-0-00	1
36	307634-0-00	1
37	307656-0-11	1
38	315101-0-00	1
39	722442-2-00	1
40	704812-0-00	1
41	307633-0-02	1
42	307632-0-00	1
43	315089-2-00	1
44	304073-0-11	1
45	315146-3-00	1
46	307624-0-00	1
47	308119-0-00	1
48	307622-0-00	1
49	307668-3-10	1
50	742458-0-00	1
51	307630-0-00	1
52	321289-0-00	1

GRUPPI DI COMPOSIZIONE - COMPOSITION KITS - GROUPES DE KIT - KIT GRUPPEN - GRUPOS DE COMPOSICION

COLTELLI
KNIVES
COUTEAUX
MESSER
CUCHILLAS

WFS-12

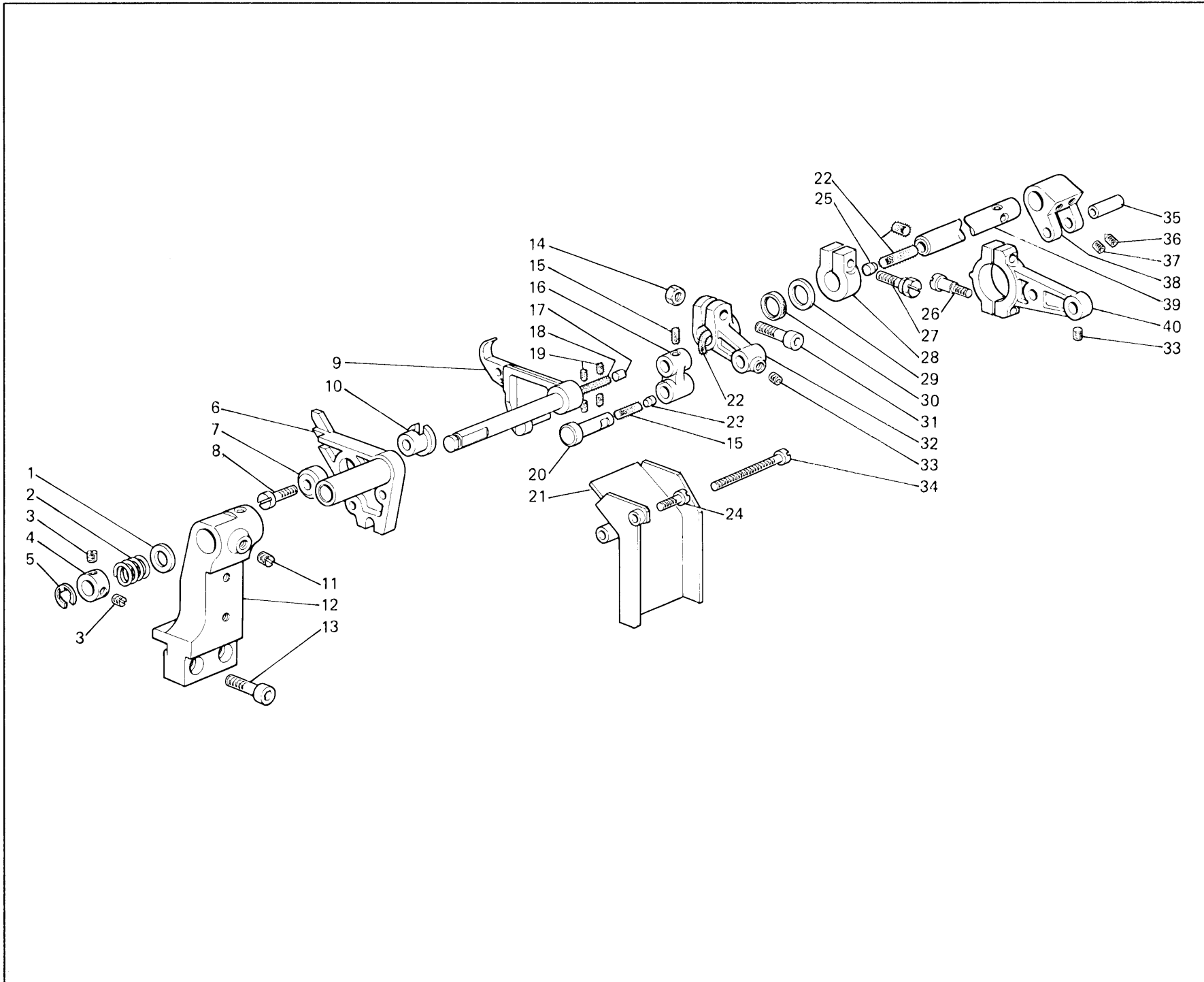


Fig. N.	Part. N. Piece N.	Qt.
1	704825-0-00	1
2	302803-0-10	1
3	745114-0-00	2
4	302859-0-10	1
5	700210-0-00	1
6	302804-2-20	1
7	302864-0-10	1
8	721475-2-00	1
9	321221-2-00	1
10	302806-0-10	1
11	727056-0-00	1
12	321220-2-00	1
13	722463-2-00	2
14	733507-2-00	1
15	M606001030	
16	321222-0-00	1
17	202468-0-10	1
18	M606000025	
19	778204-0-00	4
20	321223-0-00	1
21	321240-2-00	1
22	M606004040	
23	209023-0-00	1
24	721474-2-00	1
25	301608-0-00	1
26	721494-2-00	2
27	300482-0-10	1
28	321226-2-00	1
29	704841-0-00	1
30	307651-0-00	1
31	722442-2-00	1
32	321224-2-00	1
33	745812-2-00	2
34	722541-2-00	1
35	304710-0-10	1
36	730033-2-00	1
37	729013-2-00	1
38	321228-2-00	1
39	321219-0-00	1
40	321243-2-00	1

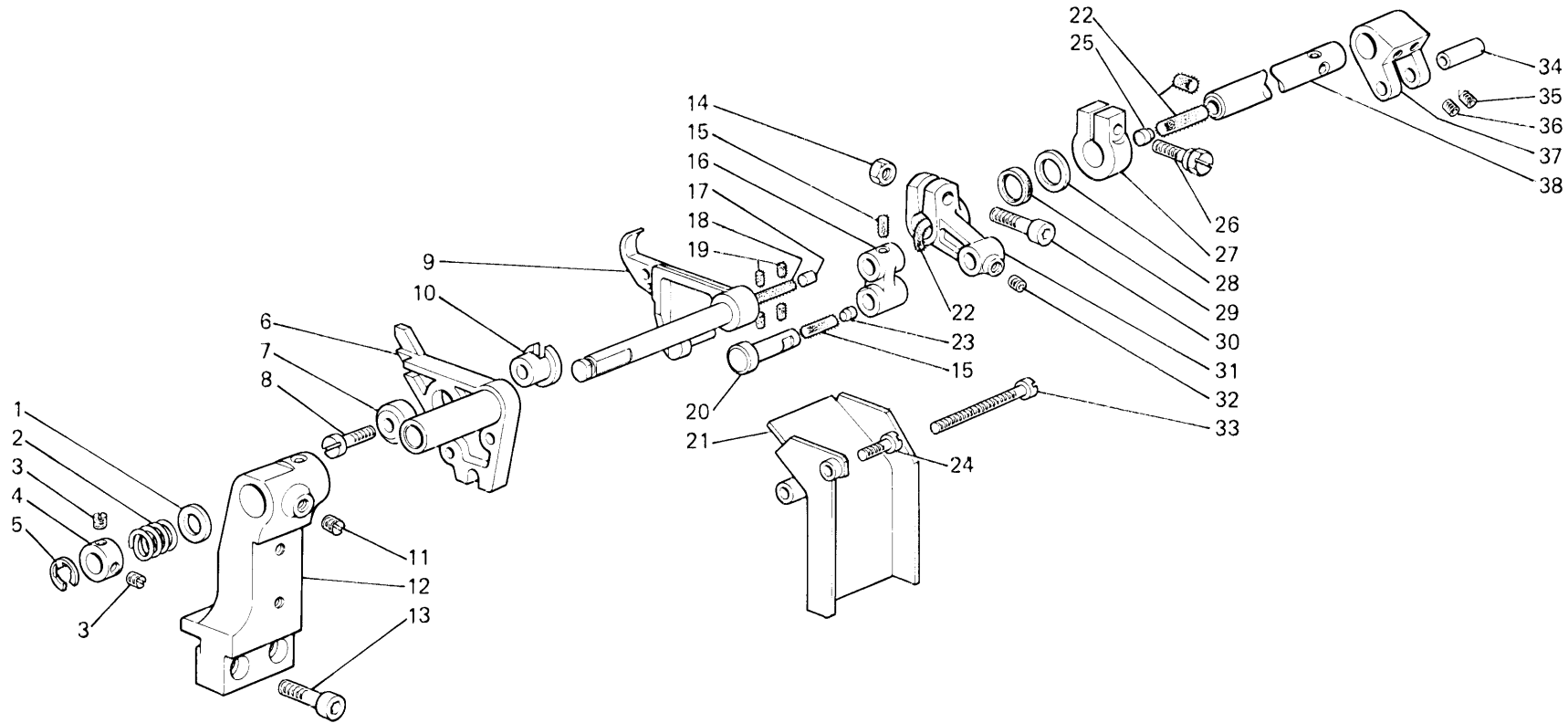


Fig. N.	Part N. Piece N.	Qt.
1	704825-0-00	1
2	302803-0-10	1
3	745114-0-00	2
4	302859-0-10	1
5	700210-0-00	1
6	302804-2-20	1
7	302864-0-10	1
8	721475-2-00	1
9	321221-2-00	1
10	302806-0-10	1
11	727056-0-00	1
12	321220-2-00	1
13	722463-2-00	2
14	733507-2-00	1
15	M606001030	
16	321222-0-00	1
17	202468-0-10	1
18	M606000025	
19	778204-0-00	4
20	321223-0-00	1
21	321240-2-00	1
22	M606004040	
23	209023-0-00	1
24	721474-2-00	1
25	301608-0-00	1
26	300482-0-10	1
27	321226-2-00	1
28	704841-0-00	1
29	307651-0-00	1
30	722442-2-00	1
31	321224-2-00	1
32	745812-2-00	1
33	722541-2-00	1
34	304710-0-10	1
35	730033-2-00	1
36	729013-2-00	1
37	321228-2-00	1
38	321219-0-00	1

SEGUE
FOLLOWS

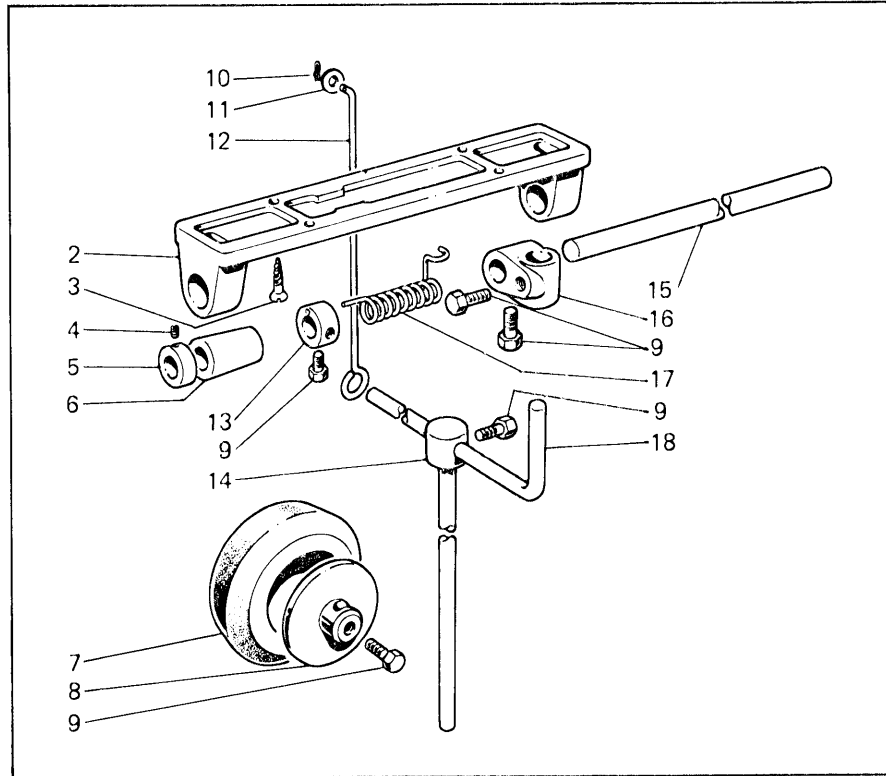


Fig. N.	Part. N. Piece N.	Qt.
1	920083-4-00	1
2	920090-0-00	1
3	731306-0-00	4
4	720913-2-00	4
5	920242-2-00	2
6	920231-0-00	2
7	920113-0-10	1
8	920105-0-10	1
9	740035-0-00	6
10	702032-0-00	1
11	704206-0-00	1
12	920190-0-10	1
13	920114-0-10	1
14	920150-0-10	1
15	920230-0-00	1
16	920183-0-10	1
17	920106-0-10	1
18	920192-0-10	1

GRUPPI DI COMPOSIZIONE - COMPOSITION KITS - GROUPES DE KIT - KIT GRUPPEN - GRUPOS DE COMPOSICION

RULLI
ROLLERS
ROULEAUX
DOSIERUNGSWALZE
RODILLOS

WFS-14

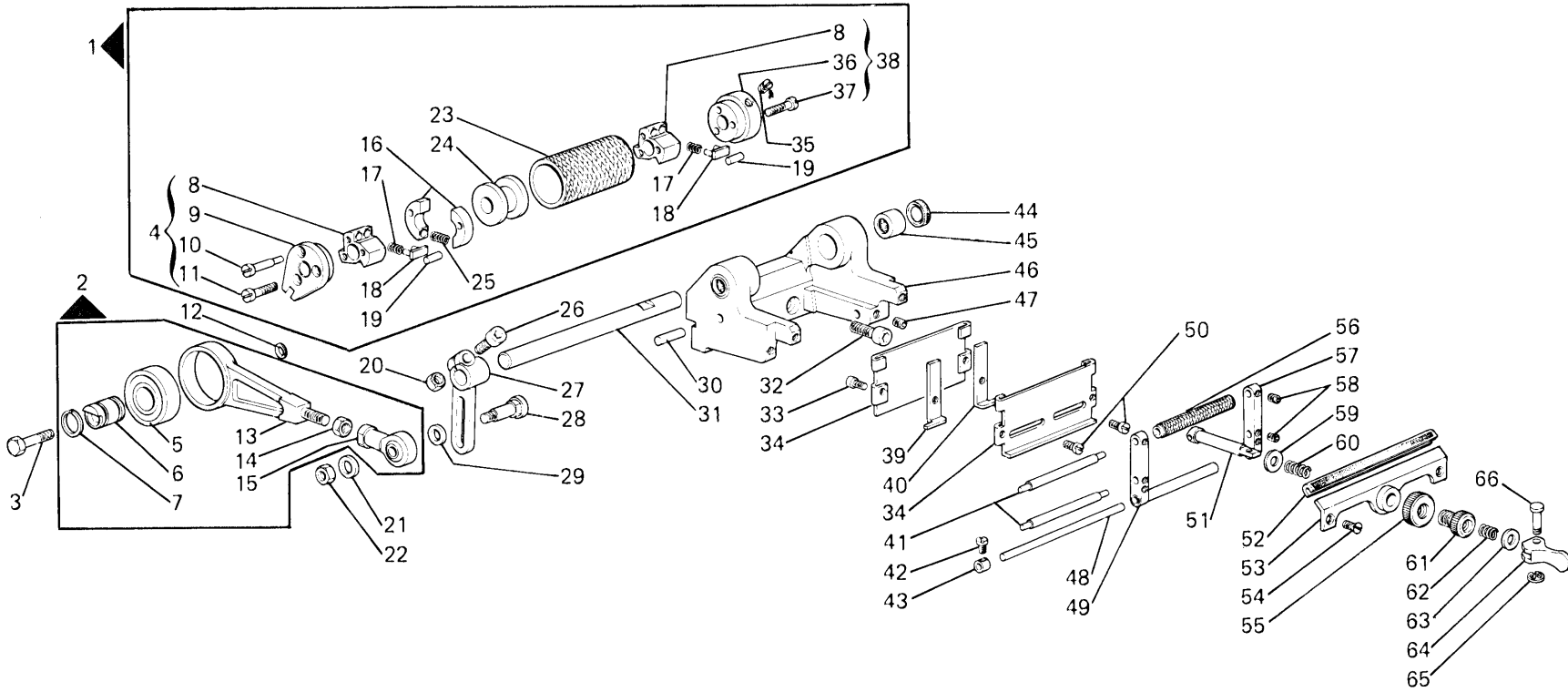


Fig. N.	Part. N. Piece N.	Qt.
1	301542-4-10	1
2	321252-4-00	1
3	321257-0-00	1
4	301535-4-10	1
5	321258-0-00	1
6	321250-0-00	1
7	321259-0-00	2
8	301523-0-10	2
9	301534-0-10	1
10	301594-0-10	2
11	741761-0-00	1
12	701005-0-00	1
13	321251-0-00	1
14	733508-2-00	1
15	927134-0-00	1
16	301538-0-10	1
17	301531-0-10	12
18	301530-2-10	6
19	301527-0-10	6
20	746407-2-00	1
21	704108-2-00	1
22	302708-0-01	1
23	301541-0-10	1
24	301552-0-11	1
25	301539-0-10	1
26	744334-2-00	1
27	321254-2-00	1
28	321253-0-00	1
29	704109-2-00	1
30	706495-0-00	1
31	301545-0-11	1
32	722463-2-00	2
33	722072-0-00	2
34	321261-0-00	2
35	745168-0-00	2
36	301536-0-10	1
37	301595-0-10	3
38	301537-4-10	1
39	321262-0-00	1
40	321263-0-00	1
41	301571-0-10	2
42	741400-0-00	1
43	202287-0-10	1
44	304763-0-10	4
45	302296-0-10	2
46	321255-3-00	1
47	727062-0-00	2
48	301585-0-10	1
49	321265-2-00	1
50	741614-0-00	2
51	301563-0-20	1
52	927244-0-00	1
53	321260-2-00	1
54	724441-0-00	2
55	301599-0-10	1
56	301560-2-10	1
57	321264-0-00	1
58	745001-2-00	4
59	704314-2-00	1
60	304479-0-00	1
61	301564-0-12	1
62	301561-0-10	1
63	704717-0-00	1
64	202120-0-10	1
65	700205-0-00	1
66	202100-0-10	1

GRUPPI DI COMPOSIZIONE - COMPOSITION KITS - GROUPES DE KIT - KIT GRUPPEN - GRUPOS DE COMPOSICION

ATTREZZATURE VARIE
VARIOUS EQUIPMENT
EQUIPEMENT DIVERS
ANDERE BAUTEILE
EQUIPOS VARIOS

WFS-15

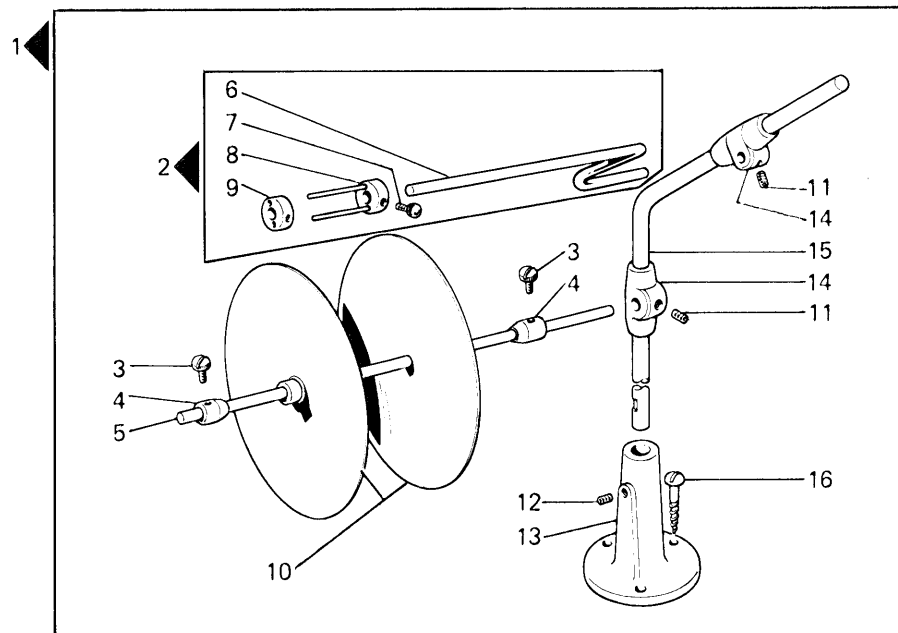


Fig. N.	Part. N. Piece N.	Qt.
1	991325-4-00	1
2	990705-4-10	1
3	990596-0-00	2
4	990594-2-00	2
5	990593-0-11	1
6	990704-0-10	1
7	930096-0-10	2
8	990707-2-10	1
9	990708-0-10	1
10	990612-2-10	2
11	729024-2-00	4
12	729054-2-00	2
13	991114-2-00	1
14	991153-2-00	2
15	990703-0-11	1
16	731107-2-00	3

WFS-15-003-00-0

Rim®

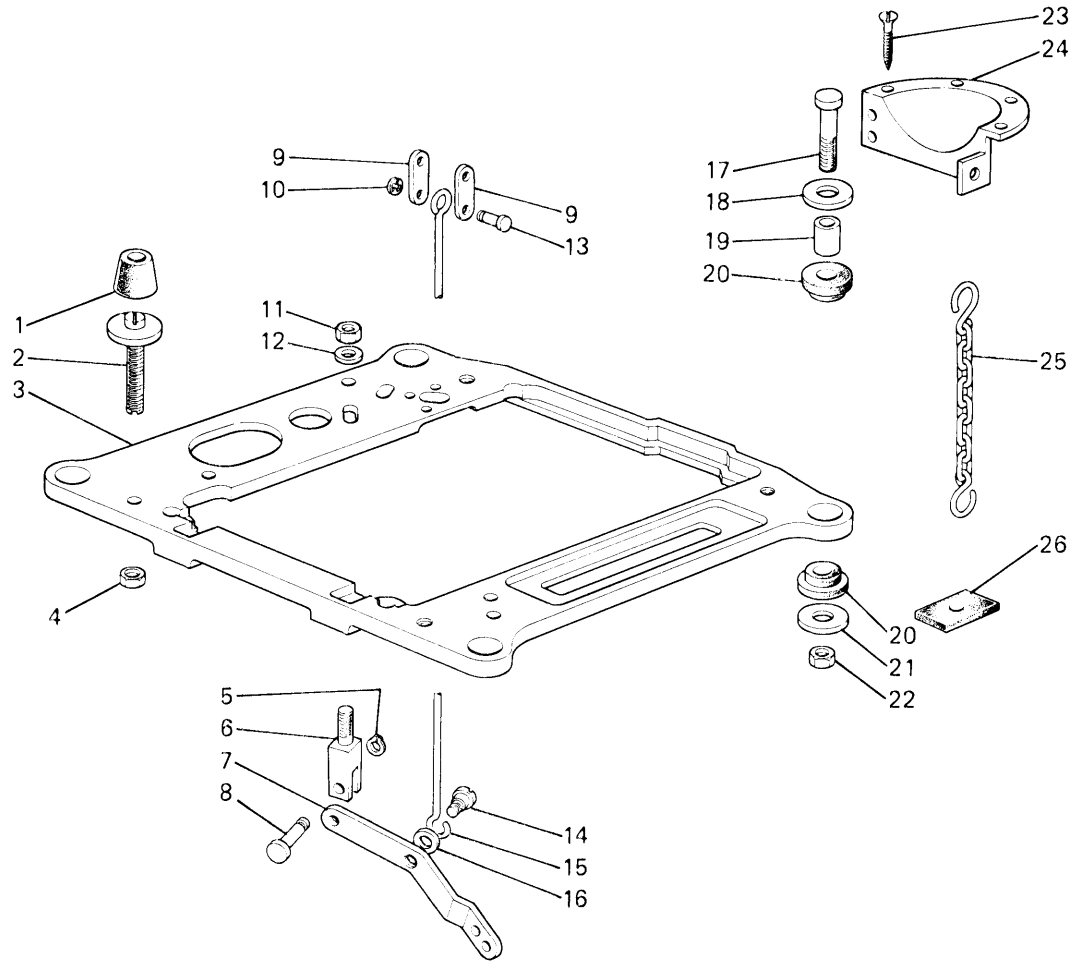


Fig. N.	Part. N. Piece N.	Qt.
1	990982-0-00	4
2	990694-0-11	4
3	901540-0-00	1
4	733008-2-00	4
5	700208-0-00	1
6	991256-0-00	1
7	991255-0-00	1
8	991257-0-00	1
9	990765-0-00	2
10	700205-0-00	2
11	746409-2-00	1
12	704316-2-00	1
13	203211-0-10	2
14	743541-2-00	1
15	990662-0-11	1
16	704310-2-00	1
17	722905-2-00	4
18	704346-2-00	4
19	901102-0-00	4
20	901101-0-00	8
21	704345-2-00	4
22	733813-2-00	4
23	900201-0-10	13
24	990317-0-10	1
25	990179-4-11	1
26	900203-0-10	4

WFS-15-004-00-0

Rim®

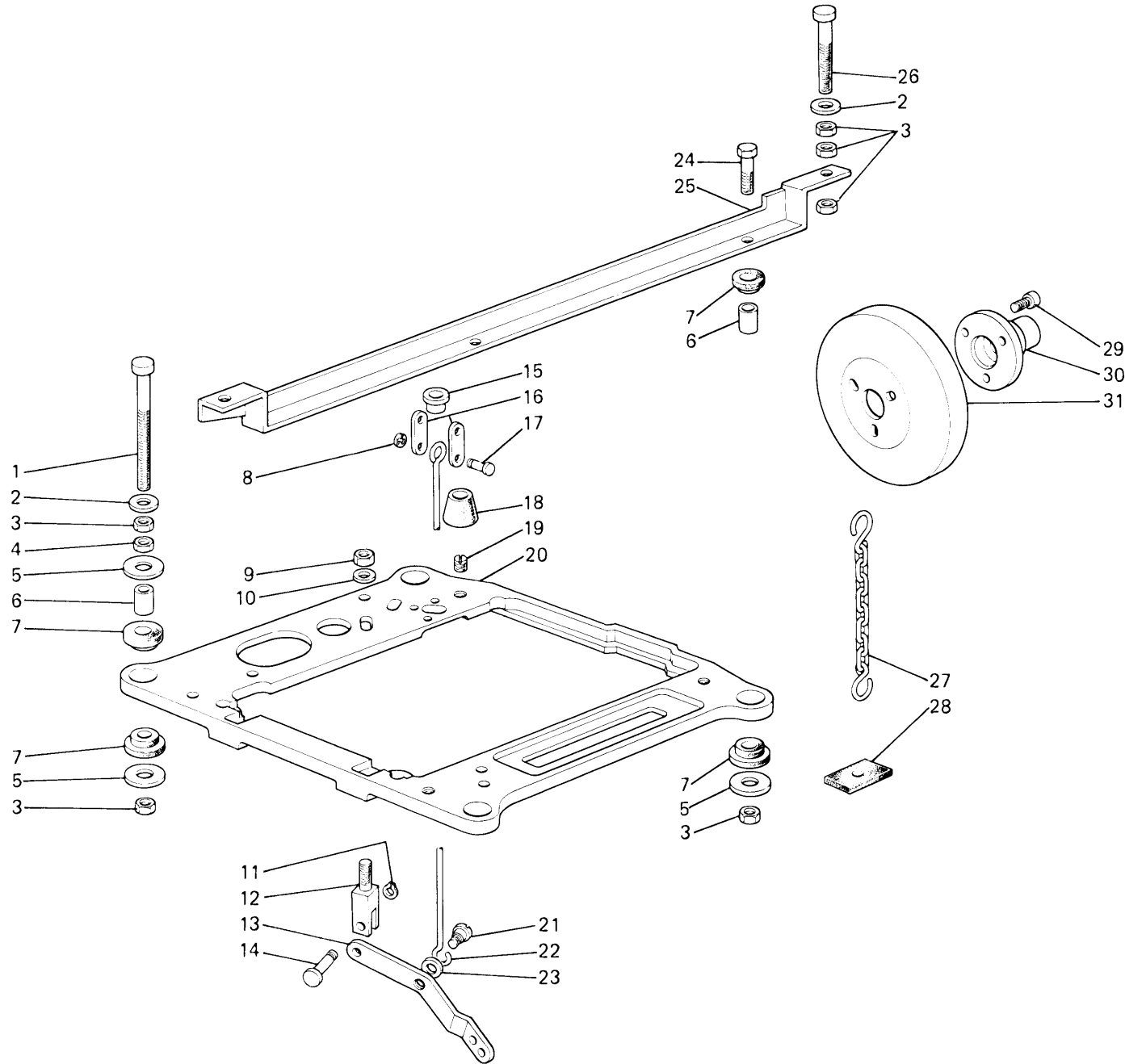


Fig. N.	Part. N. Piece N.	Qt.
1	722920-2-00	2
2	704346-2-00	4
3	733813-2-00	10
4	733008-2-00	4
5	704345-2-00	6
6	901102-0-00	4
7	901101-0-00	8
8	700205-0-00	2
9	746409-2-00	1
10	704316-2-00	1
11	700208-0-00	1
12	991256-0-00	1
13	991255-0-00	1
14	991257-0-00	1
15	900204-0-10	1
16	990765-0-00	2
17	203211-0-10	2
18	990982-0-00	4
19	901253-0-00	4
20	901540-0-00	1
21	743541-2-00	1
22	990662-0-11	1
23	704310-2-00	1
24	720546-0-00	2
25	901251-2-00	1
26	722907-2-00	2
27	990179-4-11	1
28	900203-0-10	4
29	722441-2-00	3
30	321182-0-00	1
31	321183-0-00	1

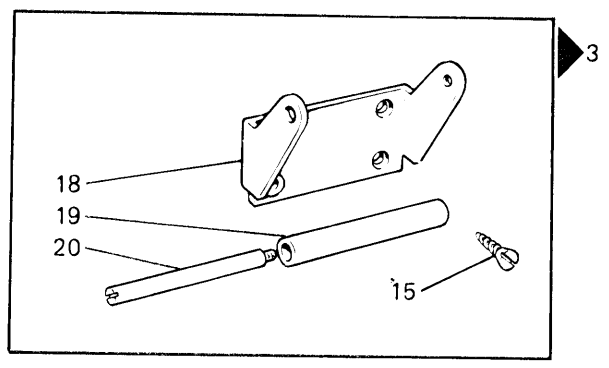
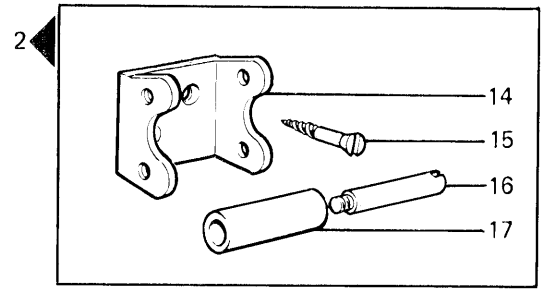
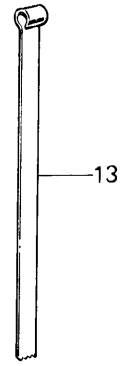
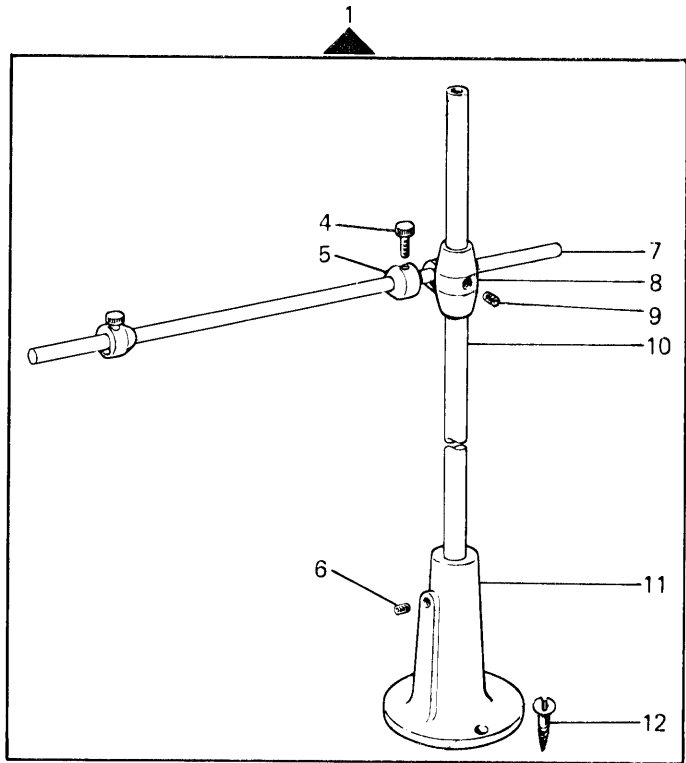


Fig. N.	Part. N. Piece N.	Qt.
1	990285-4-12	1
2	930251-4-11	1
3	990697-4-11	1
4	990596-0-00	2
5	990594-2-00	2
6	729054-2-00	1
7	990593-0-11	1
8	991153-2-00	1
9	729024-2-00	2
10	990592-0-11	1
11	991114-2-00	1
12	731107-2-00	3
13	930105-0-10	1
14	930250-0-10	1
15	731264-0-00	6
16	930253-0-10	2
17	930252-0-10	2
18	990696-0-10	1
19	301479-0-10	1
20	301480-0-10	1

WFS-15-006-00-0

Rim®

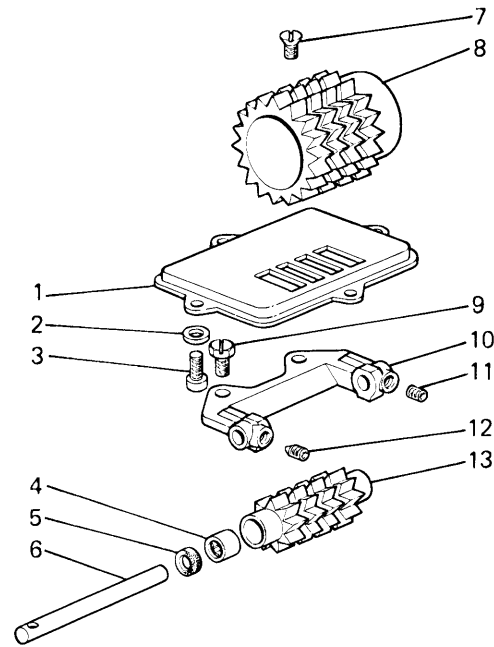


Fig. N.	Part. N. Piece N.	Qt.
1	321316-0-00	1
2	704104-2-00	4
3	741520-2-00	4
4	925414-0-00	2
5	314949-0-00	2
6	321271-0-00	1
7	724471-0-00	3
8	321273-0-00	1
9	740257-2-00	2
10	321270-2-00	1
11	729023-2-00	1
12	730033-2-00	1
13	321272-2-00	1

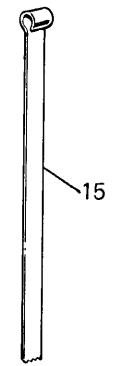
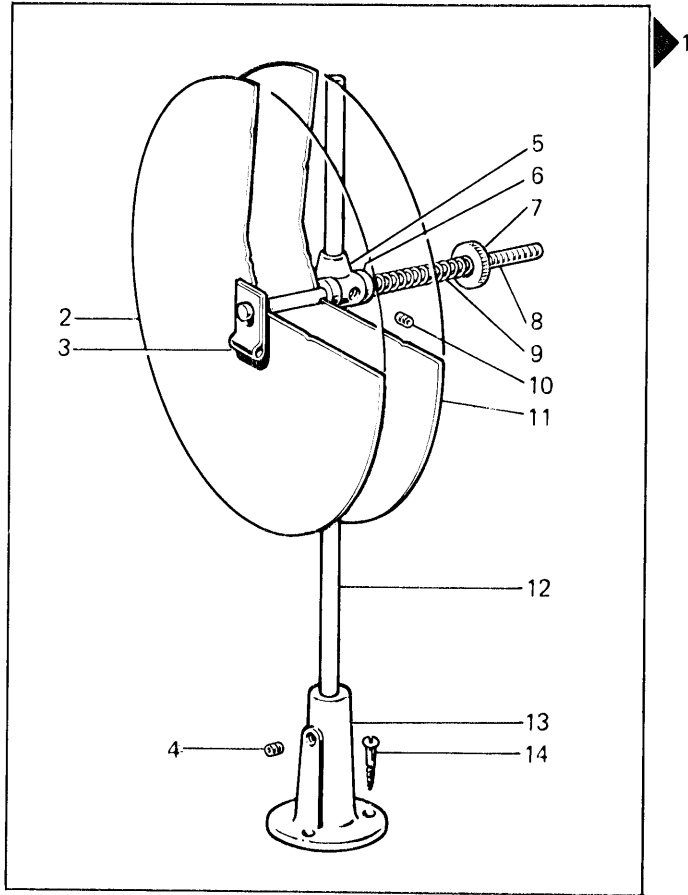


Fig. N.	Part. N. Piece N.	Qt.
1	990629-4-12	1
2	990626-0-10	1
3	990610-0-10	1
4	729054-2-00	1
5	991153-2-00	1
6	990615-0-10	1
7	990613-0-10	1
8	990609-0-10	1
9	990614-0-10	1
10	729024-2-00	2
11	990628-2-10	1
12	990592-0-11	1
13	991114-2-00	1
14	731107-2-00	3
15	930105-0-10	1

GRUPPI DI COMPOSIZIONE - COMPOSITION KITS - GROUPES DE KIT - KIT GRUPPEN - GRUPOS DE COMPOSICION

GRUPPO COMANDO
CONTROL ASSEMBLY
GROUPE COMMANDE
WALZENSTEUERUNG
GRUPO MANDO

WFS-16

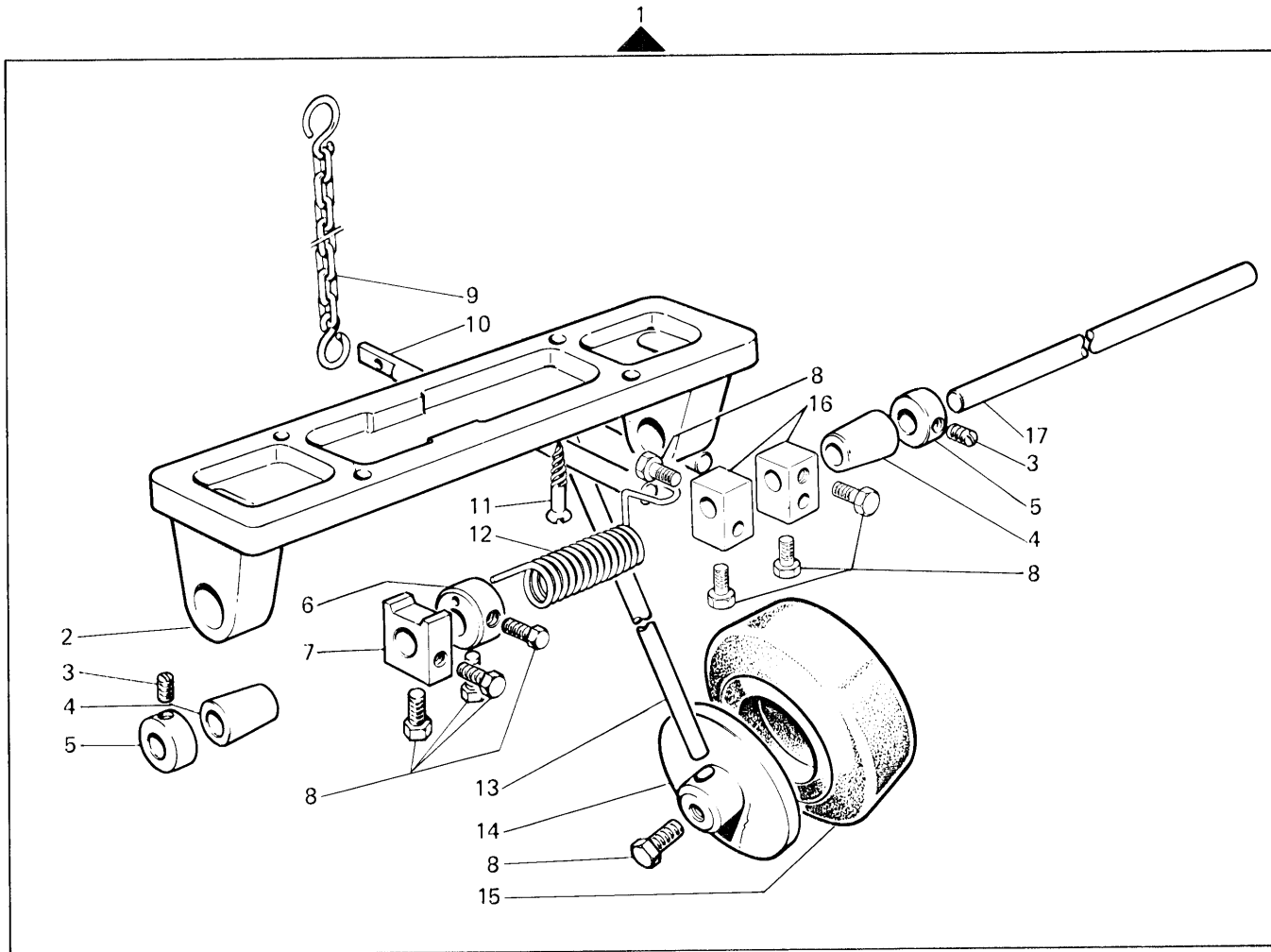


Fig. N.	Part. N. Piece N.	Qt.
1	920089-4-00	1
2	920090-0-00	1
3	729013-2-00	2
4	920231-0-00	2
5	920242-2-00	2
6	920114-0-10	1
7	920128-0-00	1
8	740035-0-00	9
9	990621-4-10	1
10	920180-0-10	1
11	731306-0-00	4
12	920106-0-10	1
13	920104-0-10	1
14	920105-0-10	1
15	920113-0-10	1
16	920103-0-11	2
17	920230-0-00	1

GRUPPI DI COMPOSIZIONE - COMPOSITION KITS - GROUPES DE KIT - KIT GRUPPEN - GRUPOS DE COMPOSICION

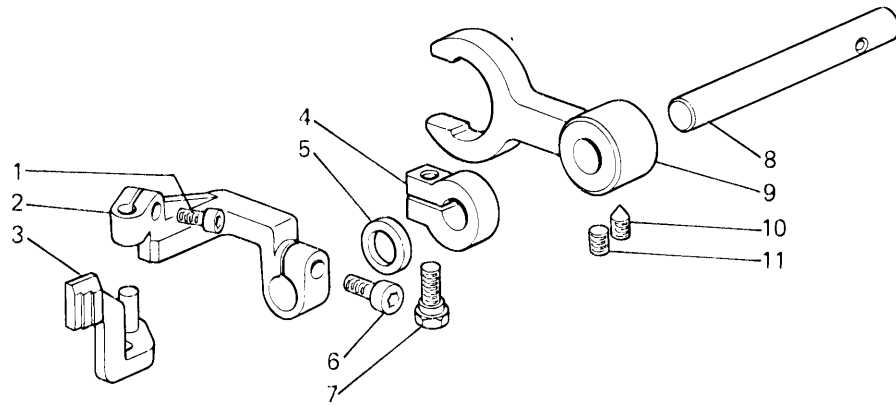
SALVA AGO
NEEDLE GUARD
PROTEGE AIGUILLE
NADELSCHUTZ
SALVA AGUJA

WFS-17

A RICHIESTA - ON REQUEST - SUR DEMANDE - AUF ANFRAGE - CON SOLICITUD WFS-17-001-00-0

Rim®

Fig. N.	Part. N. Piece N.	Qt.
1	722411-2-00	1
2	321102-2-00	1
3	321190-2-00	1
4	321226-2-00	1
5	704841-0-00	1
6	722442-2-00	1
7	300482-0-10	1
8	321225-0-00	1
9	321187-2-00	1
10	730033-2-00	1
11	729013-2-00	1



A RICHIESTA - ON REQUEST - SUR DEMANDE - AUF ANFRAGE - CON SOLICITUD WFS-17-002-00-0

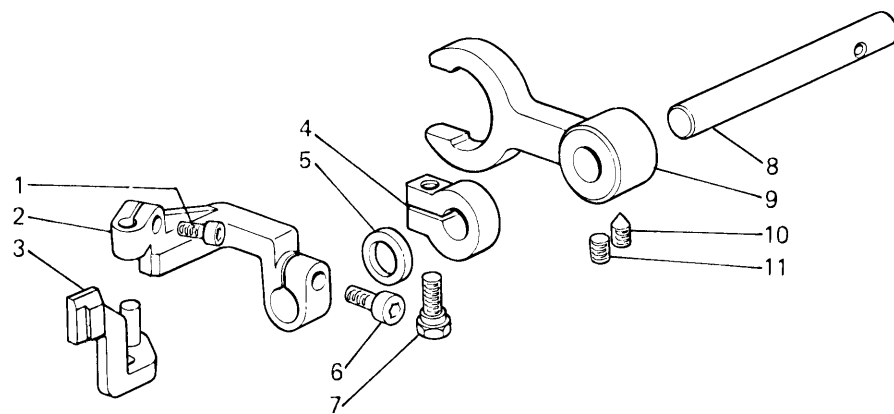


Fig. N.	Part. N. Piece N.	Qty.
1	722411-2-00	1
2	321102-2-00	1
3	321191-2-00	1
4	321226-2-00	1
5	704841-0-00	1
6	722442-2-00	1
7	300482-0-10	1
8	321225-0-00	1
9	321187-2-00	1
10	730033-2-00	1
11	729013-2-00	1

GRUPPI DI COMPOSIZIONE - COMPOSITION KITS - GROUPES DE KIT - KIT GRUPPEN - GRUPOS DE COMPOSICION

CARTER
COVER
CARTER
CARTER
TAPADERAS

WFS-18

WFS-18-001-00-0

Rim®

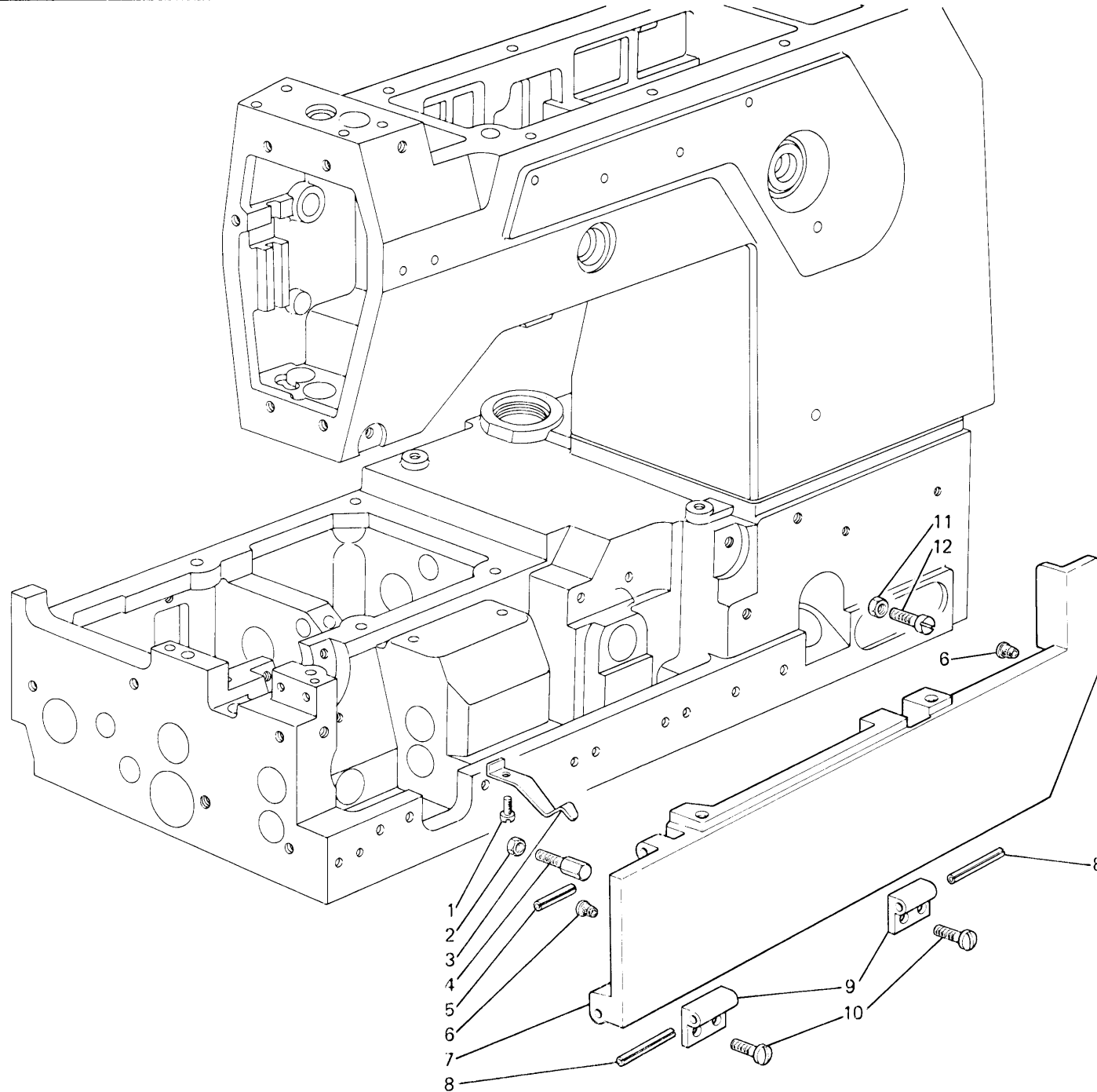


Fig. N.	Part. N. Piece N.	Qt.
1	721424-2-00	1
2	746021-2-00	1
3	321344-0-00	1
4	309331-0-00	1
5	707518-0-00	1
6	321348-0-00	2
7	321330-0-00	1
8	707556-0-00	2
9	309332-0-00	2
10	300483-0-10	4
11	733806-2-00	1
12	722123-2-00	1

WFS-18-002-00-0

Rim®

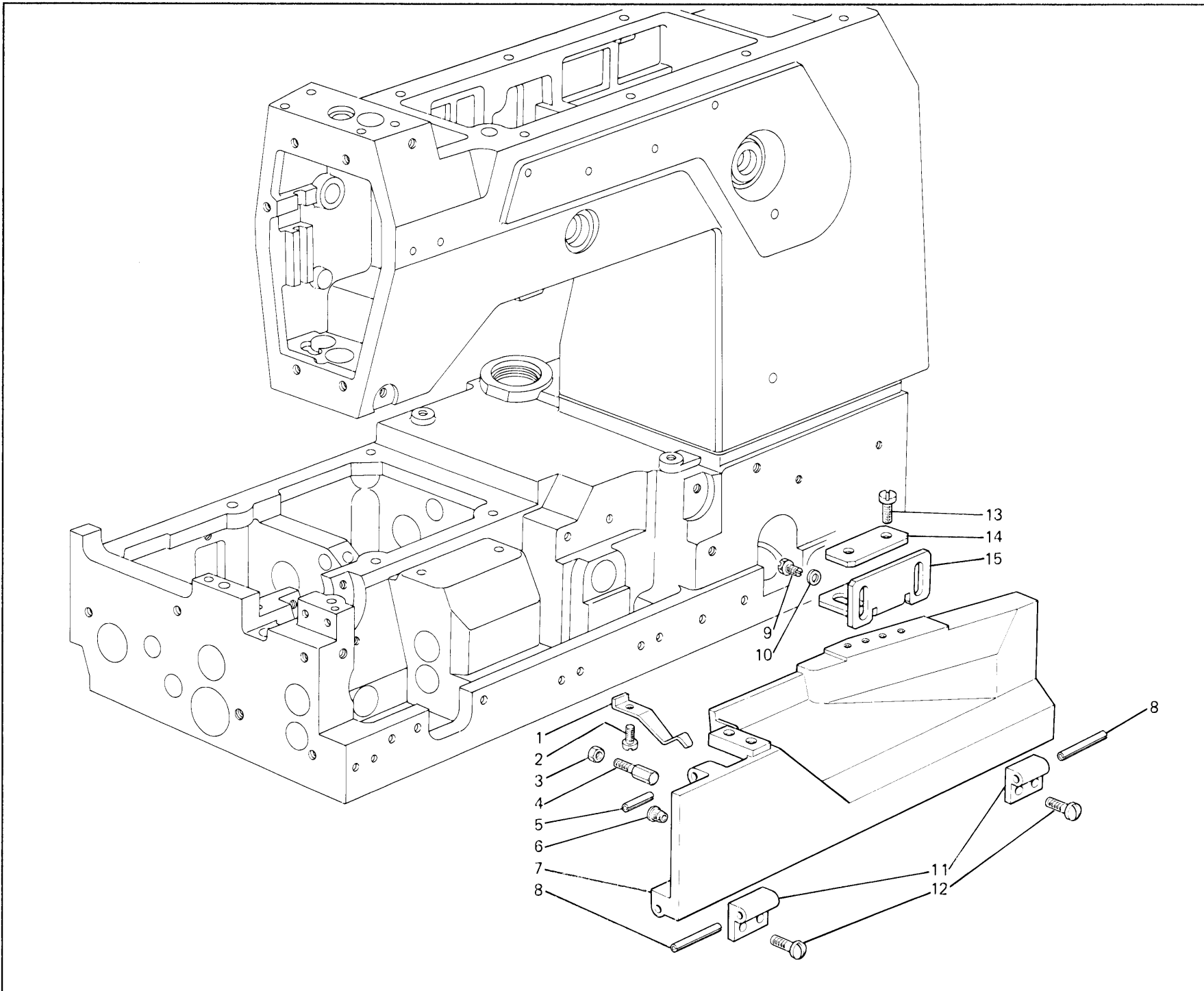


Fig. N.	Part. N. / Piece N.	Qt.
1	321344-0-00	1
2	721424-2-00	1
3	746021-2-00	1
4	309331-0-00	1
5	707518-0-00	1
6	321348-0-00	1
7	321331-0-00	1
8	707556-0-00	2
9	202488-0-10	2
10	704406-2-00	2
11	309332-0-00	2
12	300483-0-10	4
13	722089-2-00	2
14	321347-0-00	1
15	321346-0-00	1

WFS-18-003-00-0

Rim®

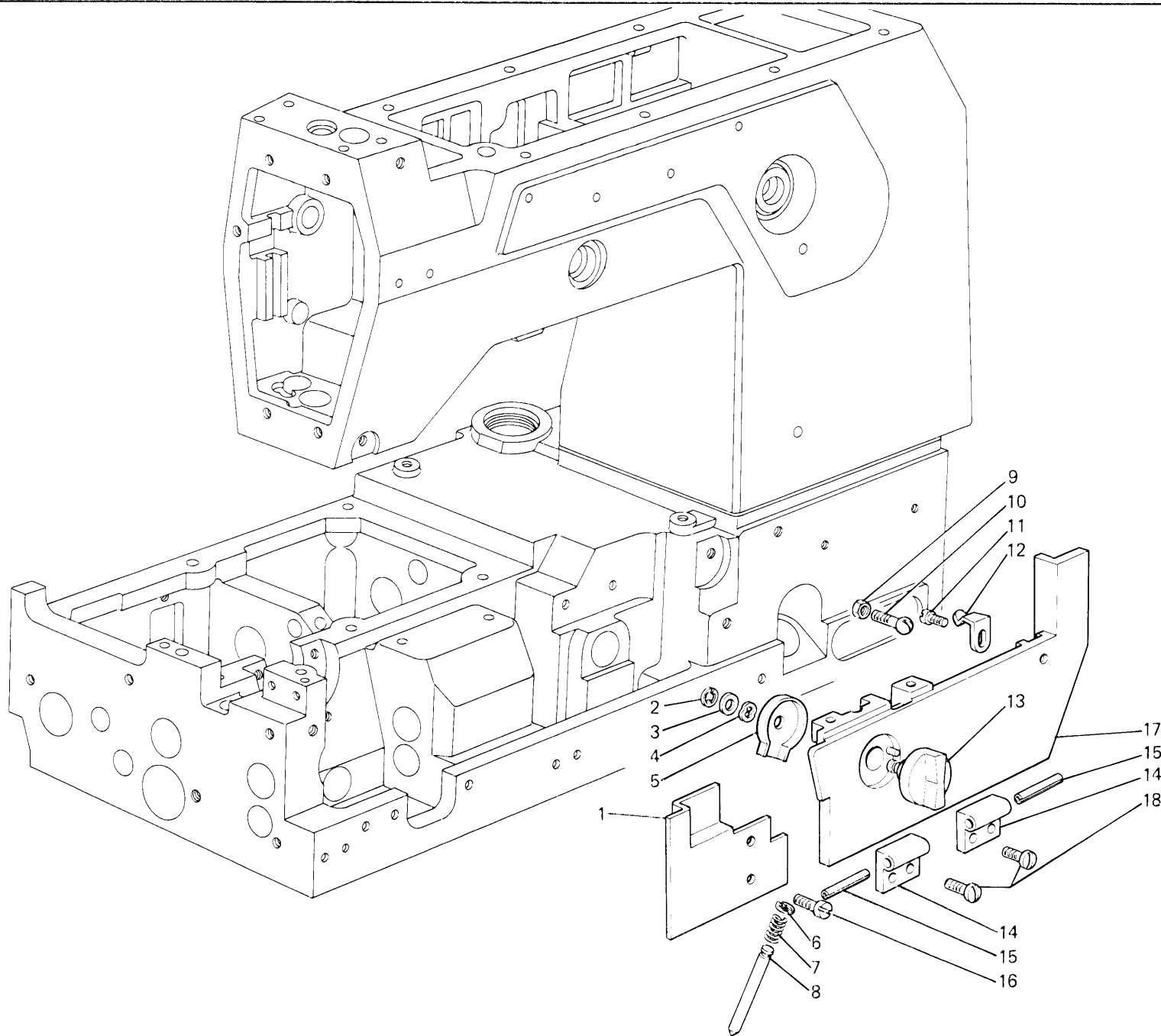


Fig. N.	Part N. Piece N.	Qt.
1	309155-0-00	1
2	700208-0-00	1
3	704314-2-00	1
4	309326-0-00	1
5	309327-0-00	1
6	700206-0-00	1
7	204938-0-10	1
8	309328-0-00	1
9	733806-2-00	1
10	211715-0-00	1
11	721454-2-00	1
12	321343-0-00	1
13	309329-0-00	1
14	309332-0-00	2
15	707556-0-00	2
16	741925-2-00	2
17	321334-0-00	1
18	300483-0-10	4

WFS-18-004-00-0

Rim®

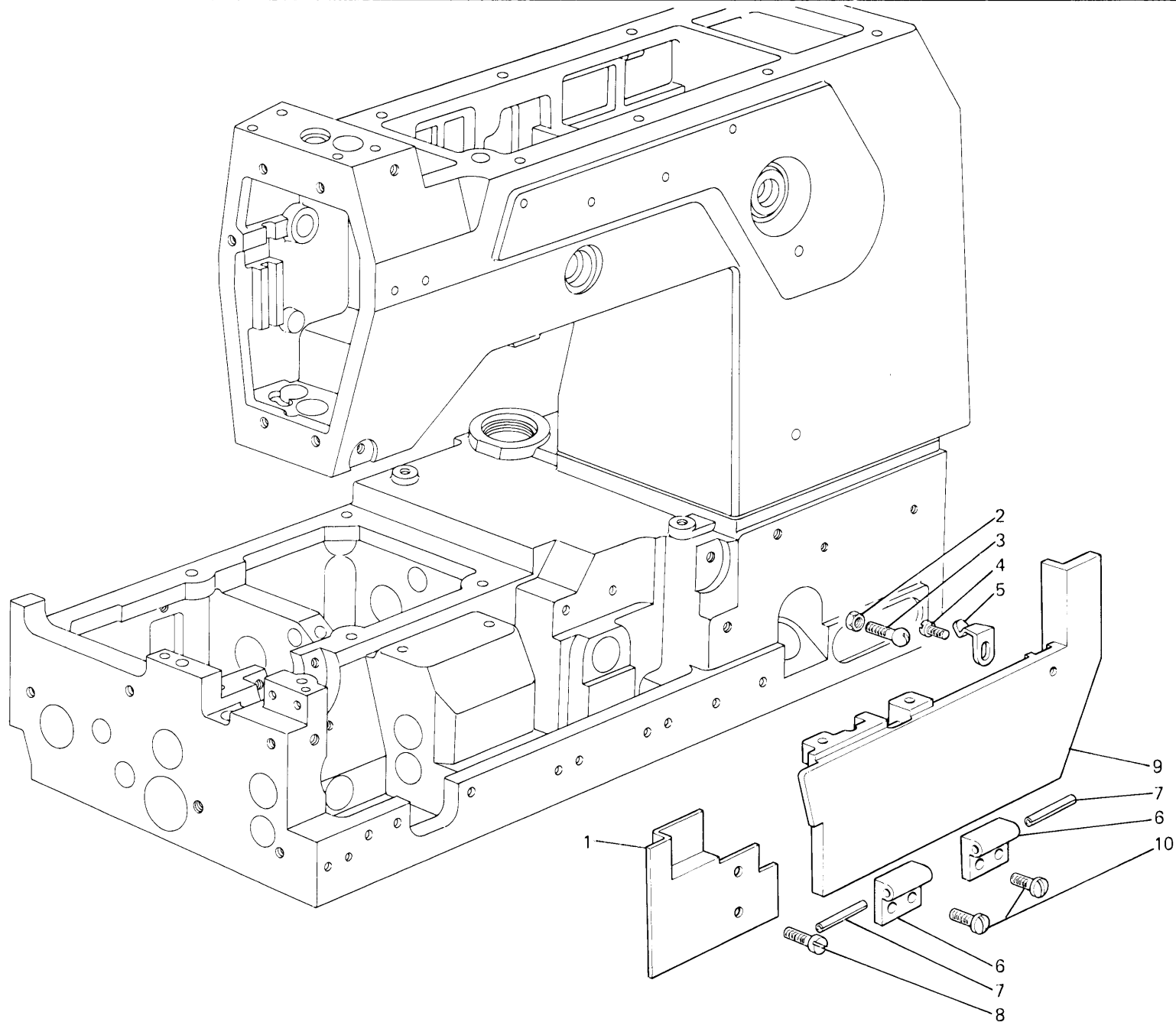


Fig. N.	Part. N. Piece N.	Qt.
1	309155-0-00	1
2	733806-2-00	1
3	211715-0-00	1
4	721454-2-00	1
5	321343-0-00	1
6	309332-0-00	2
7	707556-0-00	2
8	741925-2-00	2
9	321333-0-00	1
10	300483-0-10	4

WFS-18-005-00-0

Rim®

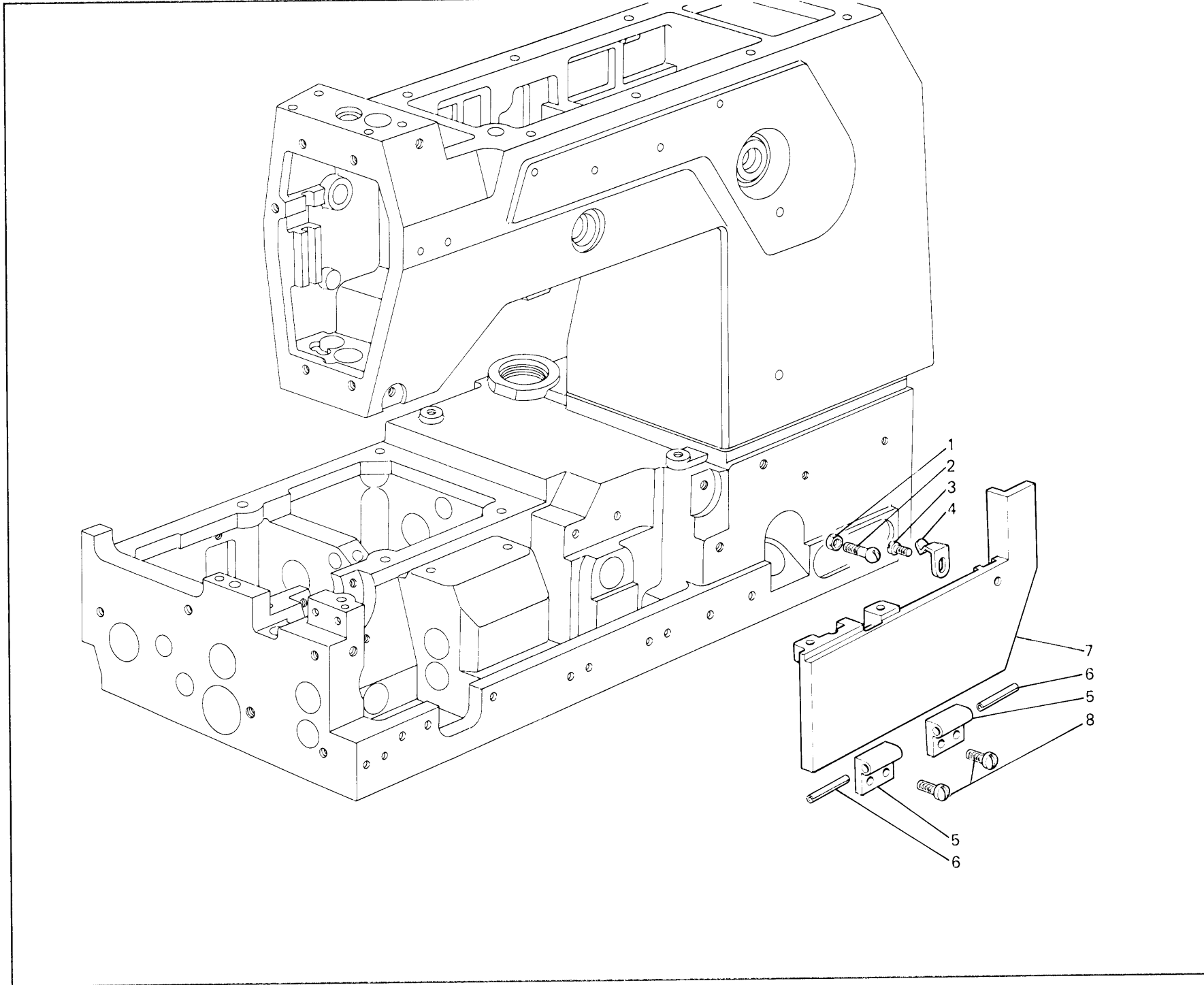


Fig. N.	Part. N. Piece N.	Qt.
1	733806-2-00	1
2	211715-0-00	1
3	721454-2-00	1
4	321343-0-00	1
5	309332-0-00	2
6	707556-0-00	2
7	321332-0-00	1
8	300483-0-10	4

WFS-18-301-00-0

Rim®

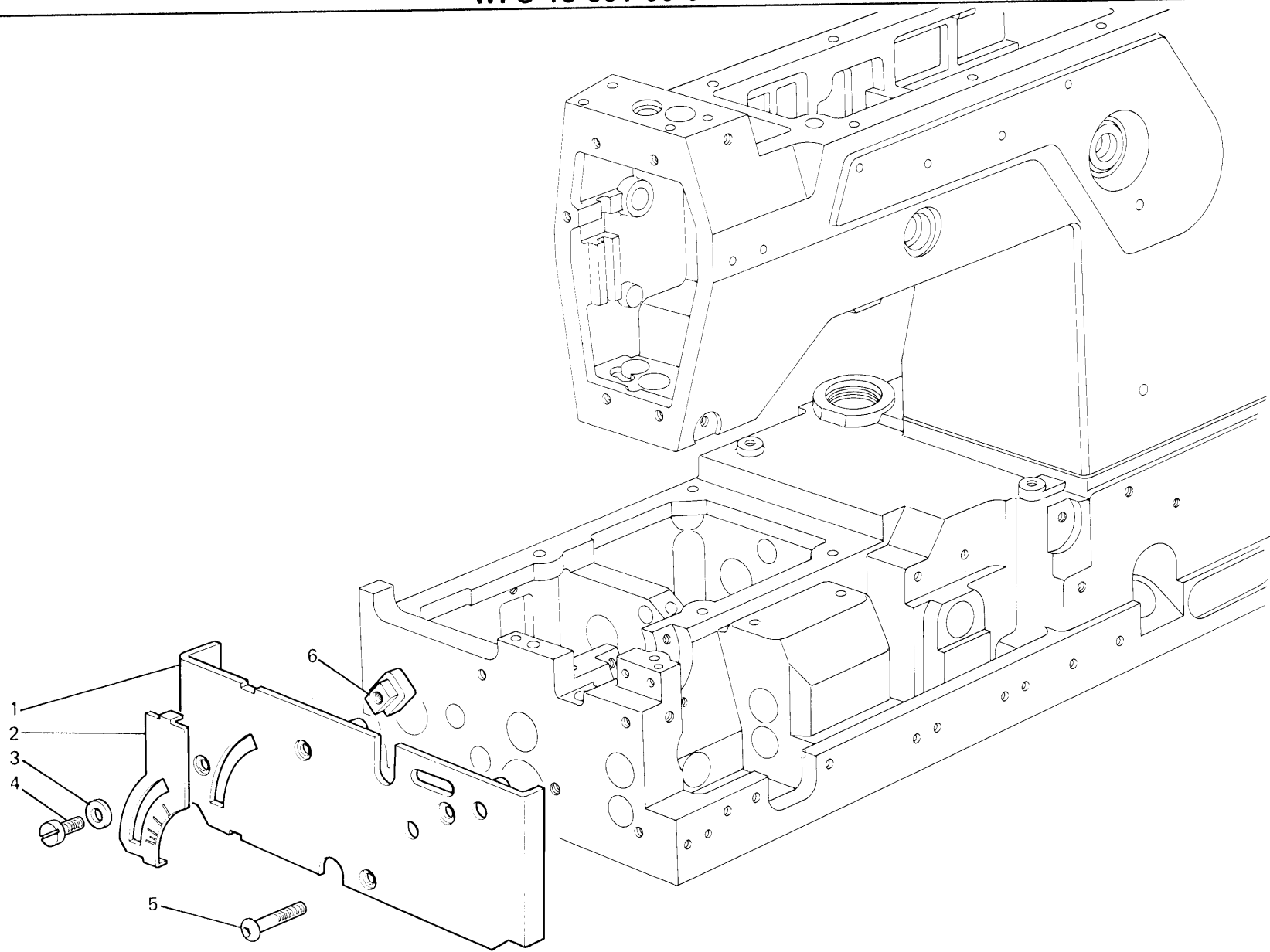


Fig. N.	Part. N. Piece N.	Qt.
1	321314-0-00	1
2	321318-0-00	1
3	704409-2-00	1
4	721475-2-00	1
5	735102-2-00	4
6	211612-0-01	1

WFS-18-302-00-0

Rim[®]

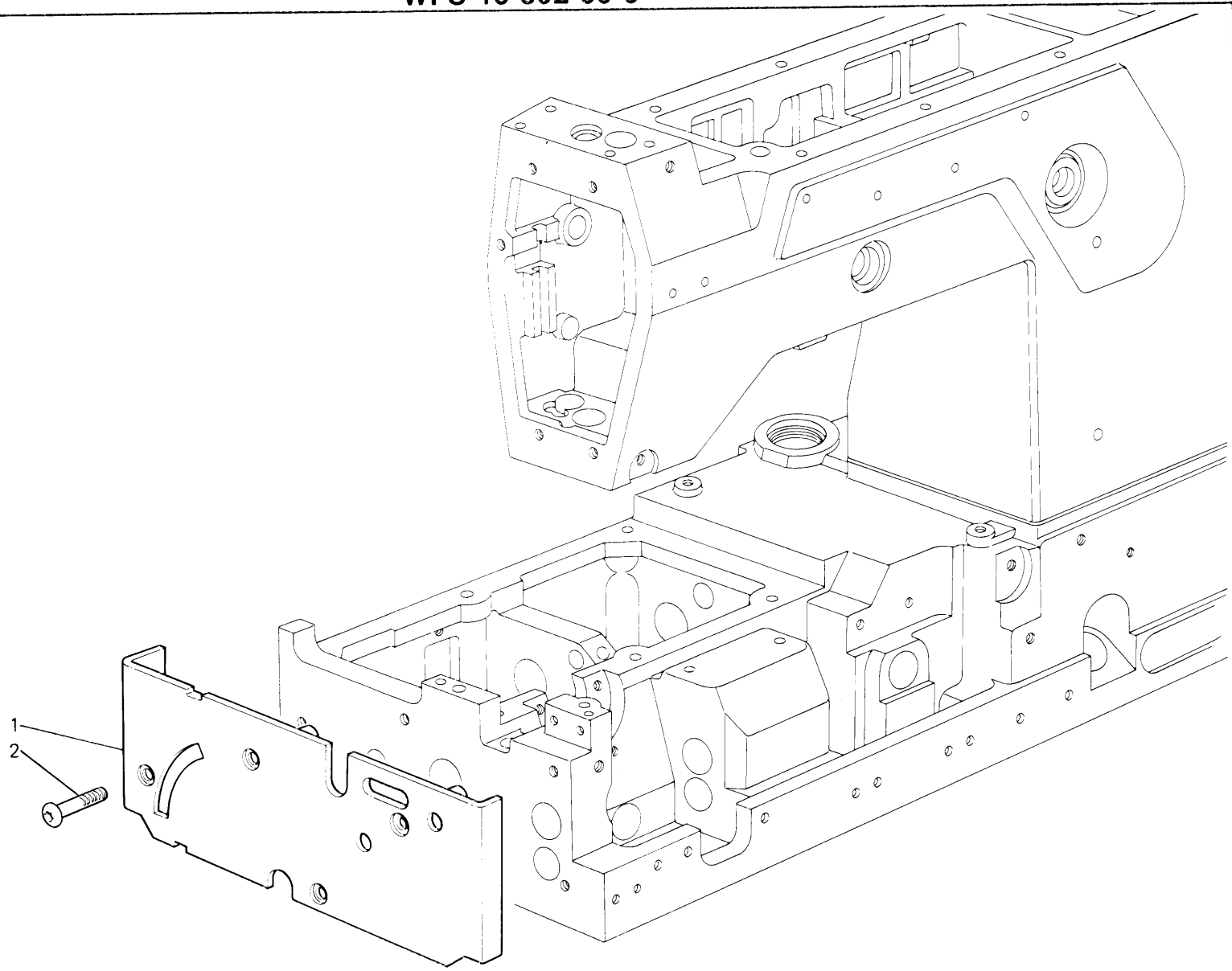


Fig. N.	Part. N. Piece N.	Qt.
1	321314-0-00	1
2	735102-2-00	4

WFS-18-303-00-0

Rim[®]

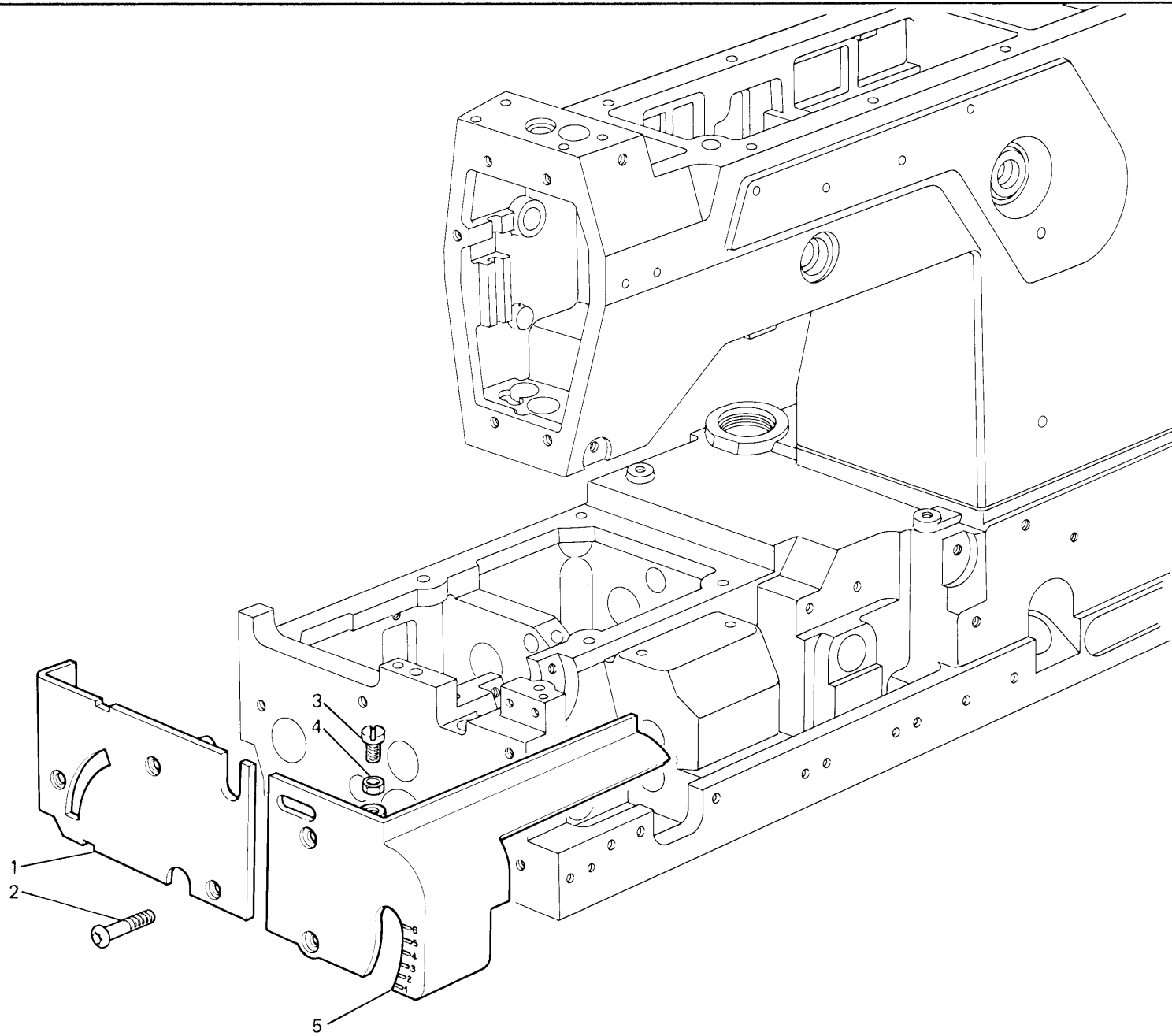


Fig. N.	Part. N. Piece N.	Qt.
1	321315-0-00	1
2	735102-2-00	5
3	722113-0-00	1
4	733806-2-00	1
5	321340-0-00	1

WFS-18-601-00-0

Rim®

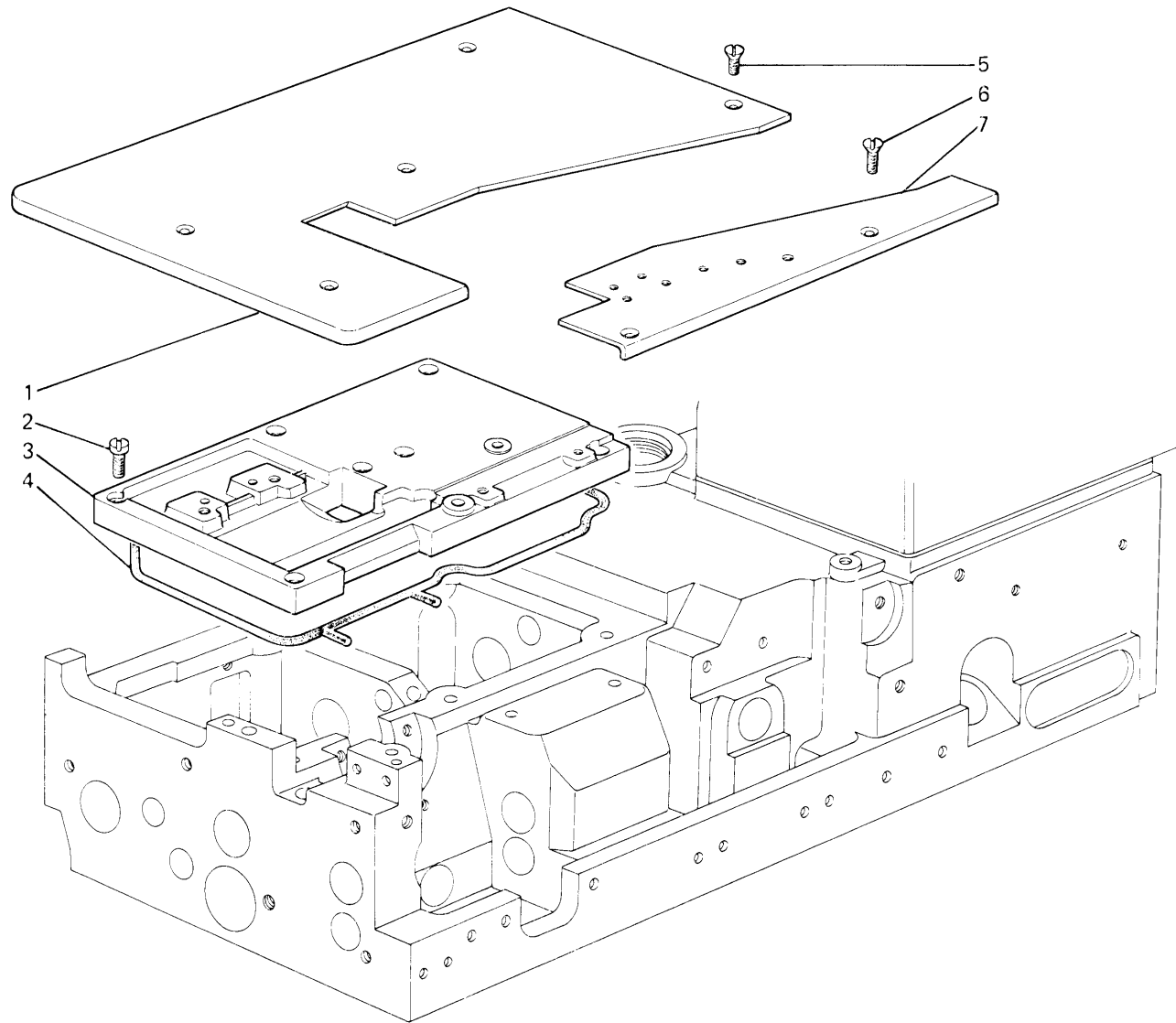


Fig. N.	Part. N. Piece N.	Qt.
1	321321-0-00	1
2	722432-2-00	5
3	321300-0-00	1
4	321301-0-00	1
5	744547-2-00	5
6	744567-2-00	2
7	321350-0-00	1

WFS-18-602-00-0

Rim®

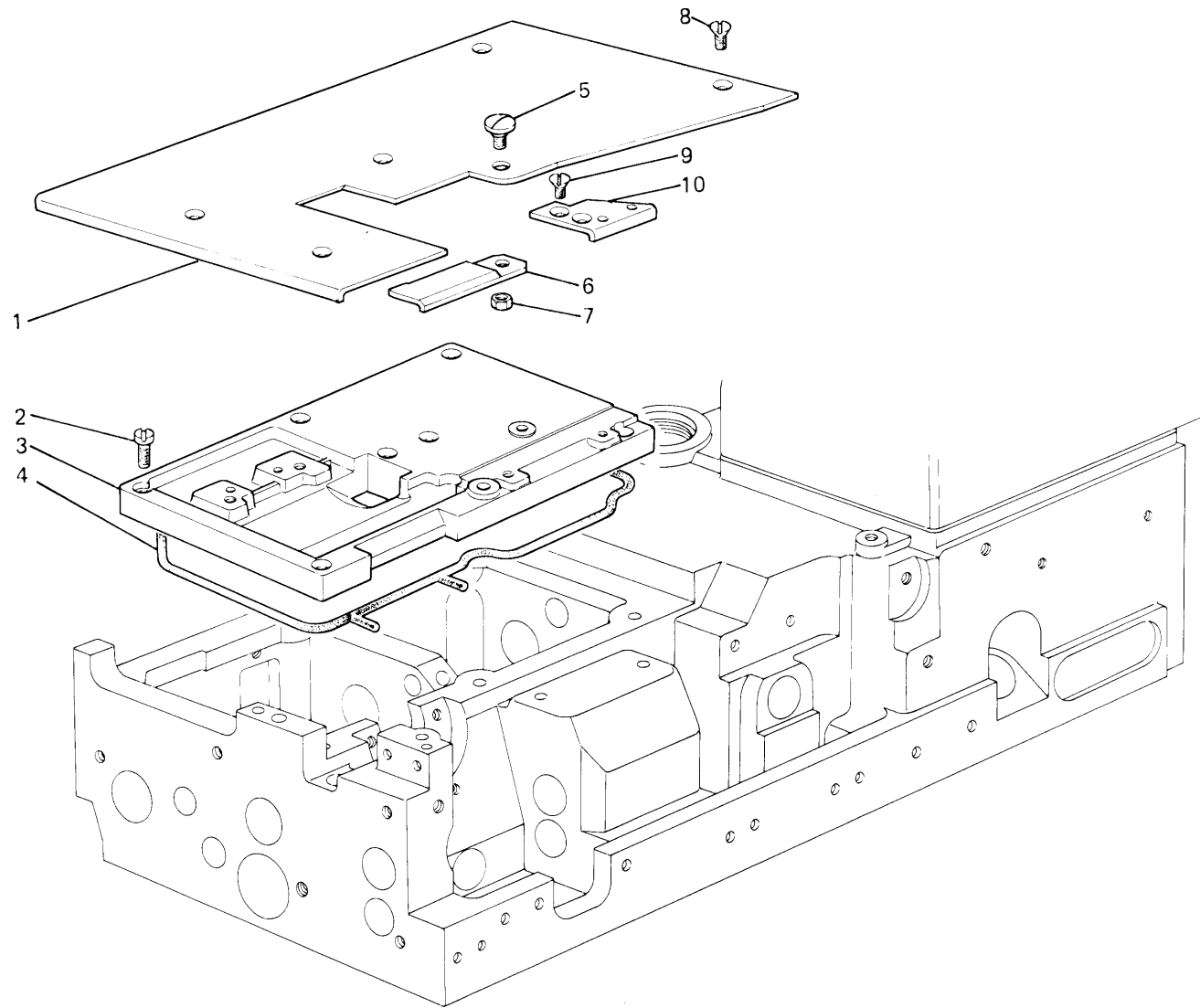


Fig. N.	Part. N. Piece N.	Qt.
1	321325-0-00	1
2	722432-2-00	5
3	321300-0-00	1
4	321301-0-00	1
5	309342-0-11	1
6	321326-0-00	1
7	733507-2-00	1
8	744547-2-00	5
9	744567-2-00	2
10	321335-0-00	1

WFS-18-603-00-0

Rim®

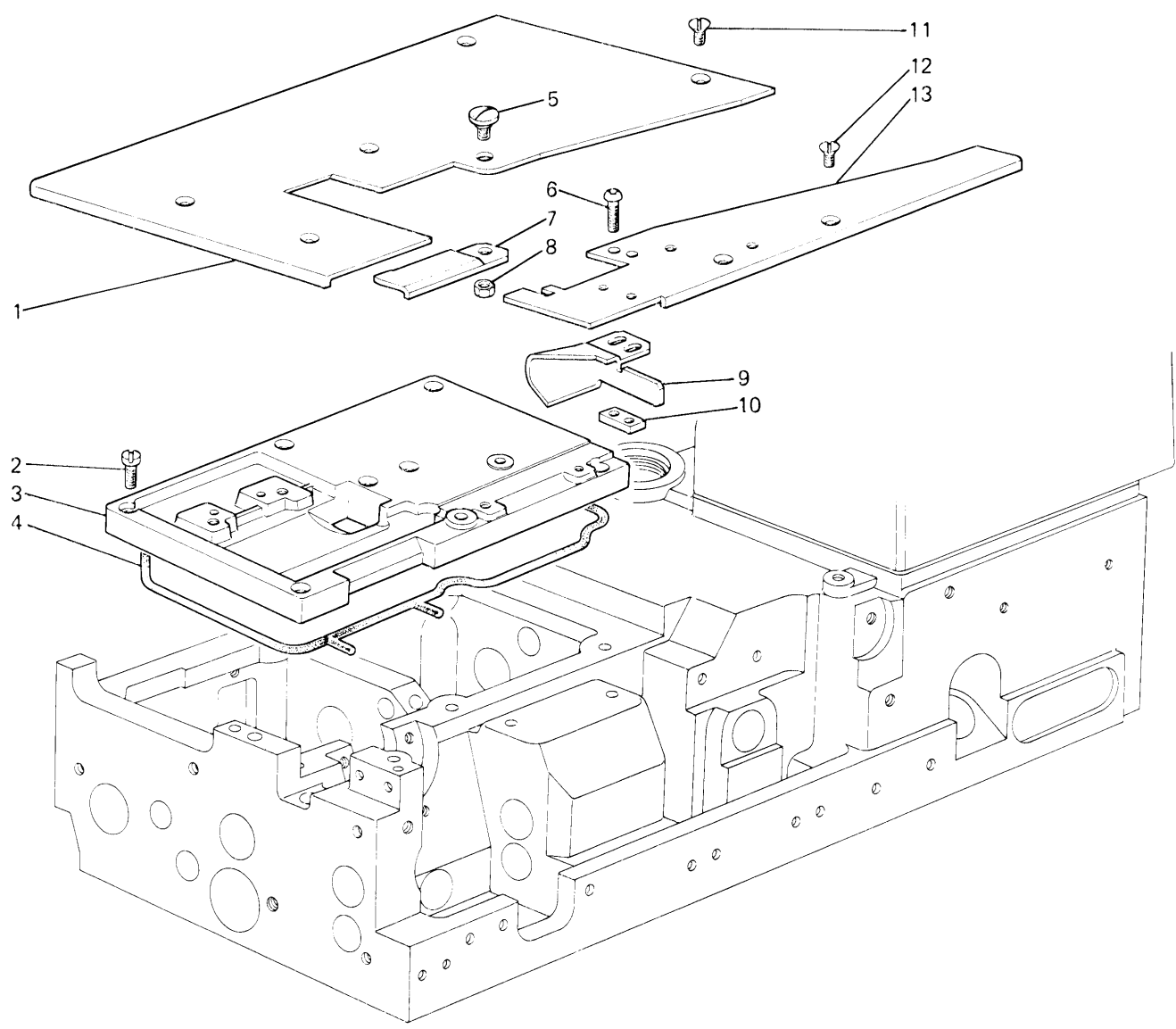


Fig. N.	Part. N. Piece N.	Qt.
1	321325-0-00	1
2	722432-2-00	5
3	321300-0-00	1
4	321301-0-00	1
5	309342-0-11	1
6	735021-2-00	2
7	321326-0-00	1
8	733507-2-00	1
9	321239-0-00	1
10	304020-0-10	1
11	744547-2-00	5
12	744567-2-00	2
13	321353-0-00	1

WFS-18-606-00-0

Rim®

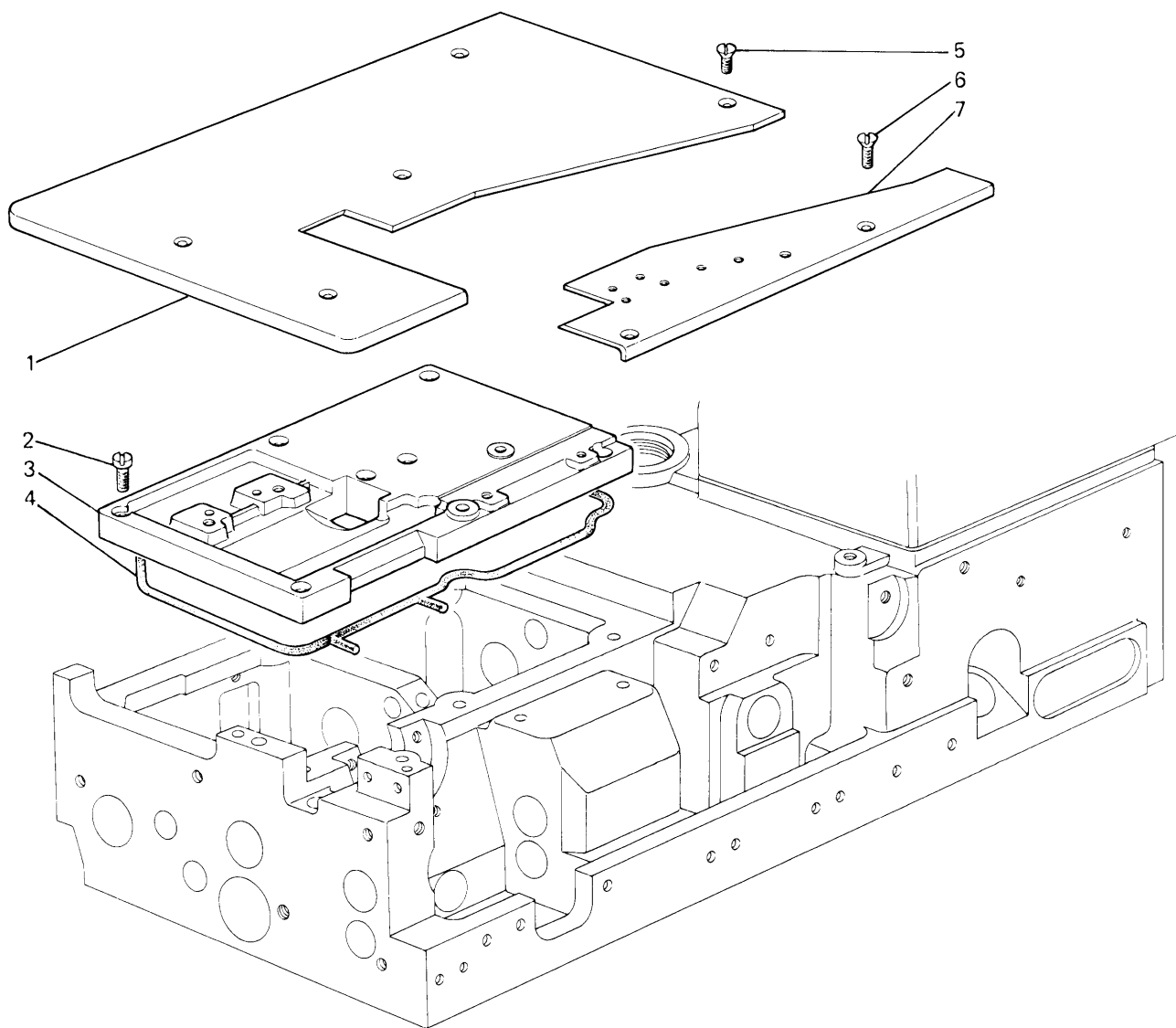


Fig. N.	Part. N. Pice N.	Qt.
1	321321-0-00	1
2	722432-2-00	5
3	321300-0-00	1
4	321301-0-00	1
5	744547-2-00	5
6	744567-2-00	2
7	321354-0-00	1

WFS-18-607-00-0

Rim®

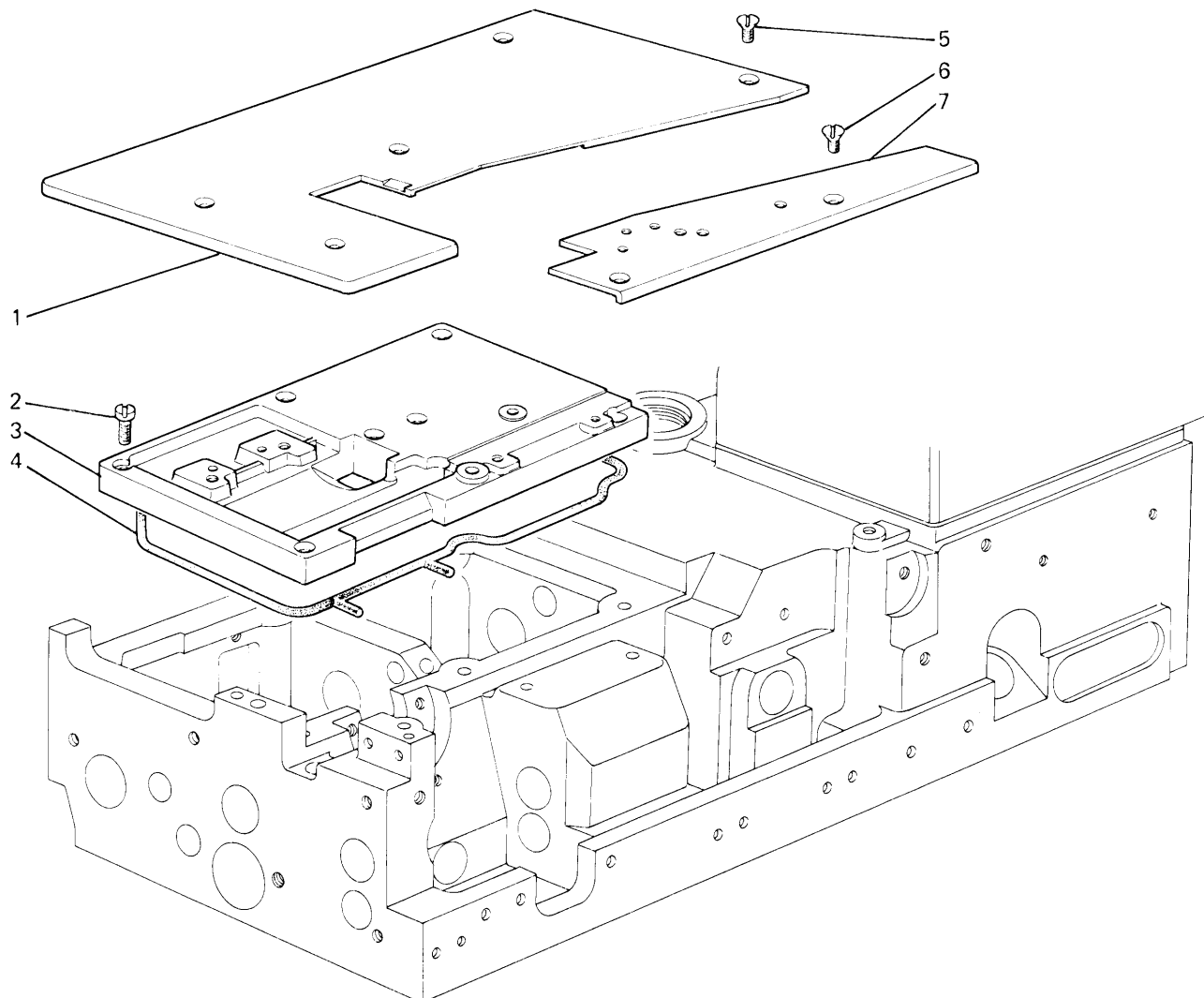


Fig. N.	Part. N. Piece N.	Qt.
1	933315-2-00	1
2	722432-2-00	5
3	321300-0-00	1
4	321301-0-00	1
5	744547-2-00	5
6	744567-2-00	2
7	321354-0-00	1

WFS-18-608-00-0

Rim®

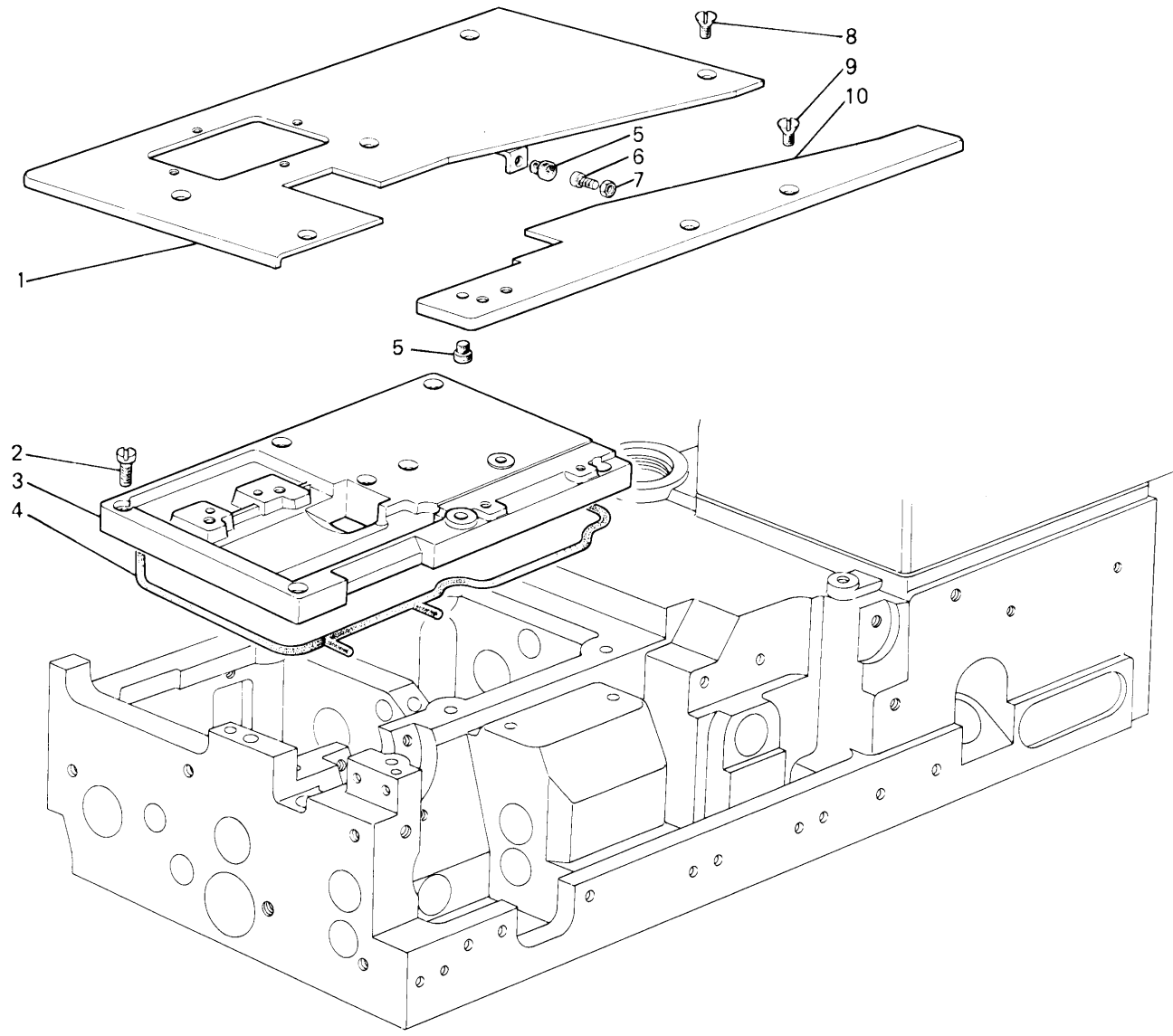


Fig. N.	Part. N. Piece N.	Qt.
1	321324-0-00	1
2	722432-2-00	5
3	321300-0-00	1
4	321301-0-00	1
5	321348-0-00	1
6	722113-0-00	1
7	733806-2-00	1
8	744547-2-00	5
9	744567-2-00	2
10	321352-0-00	1

WFS-18-610-00-0

Rim®

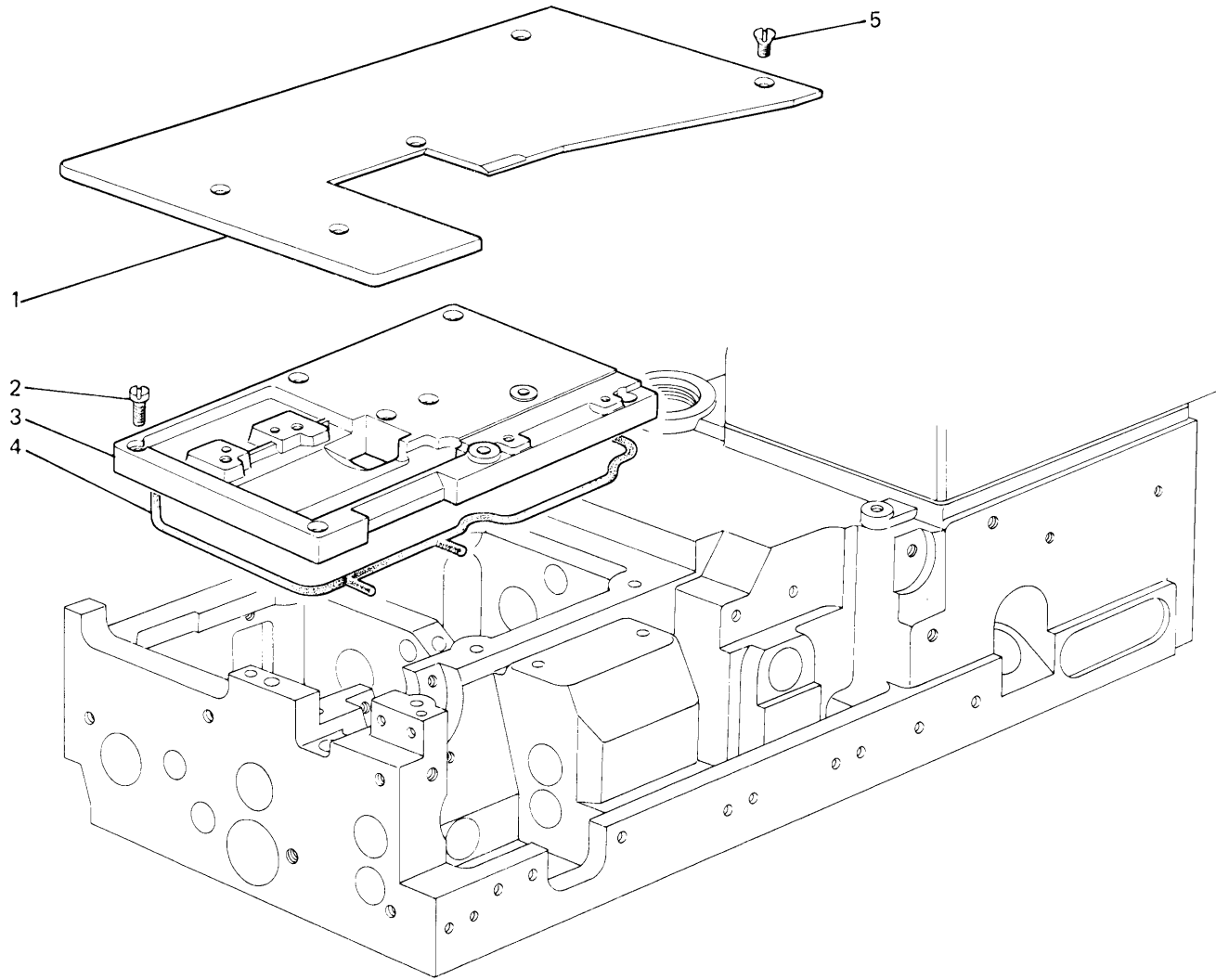


Fig. N.	Part. N. Piece N.	Qt.
1	321329-0-00	1
2	722432-2-00	5
3	321300-0-00	1
4	321301-0-00	1
5	744547-2-00	5

WFS-18-611-00-0

Rim[®]

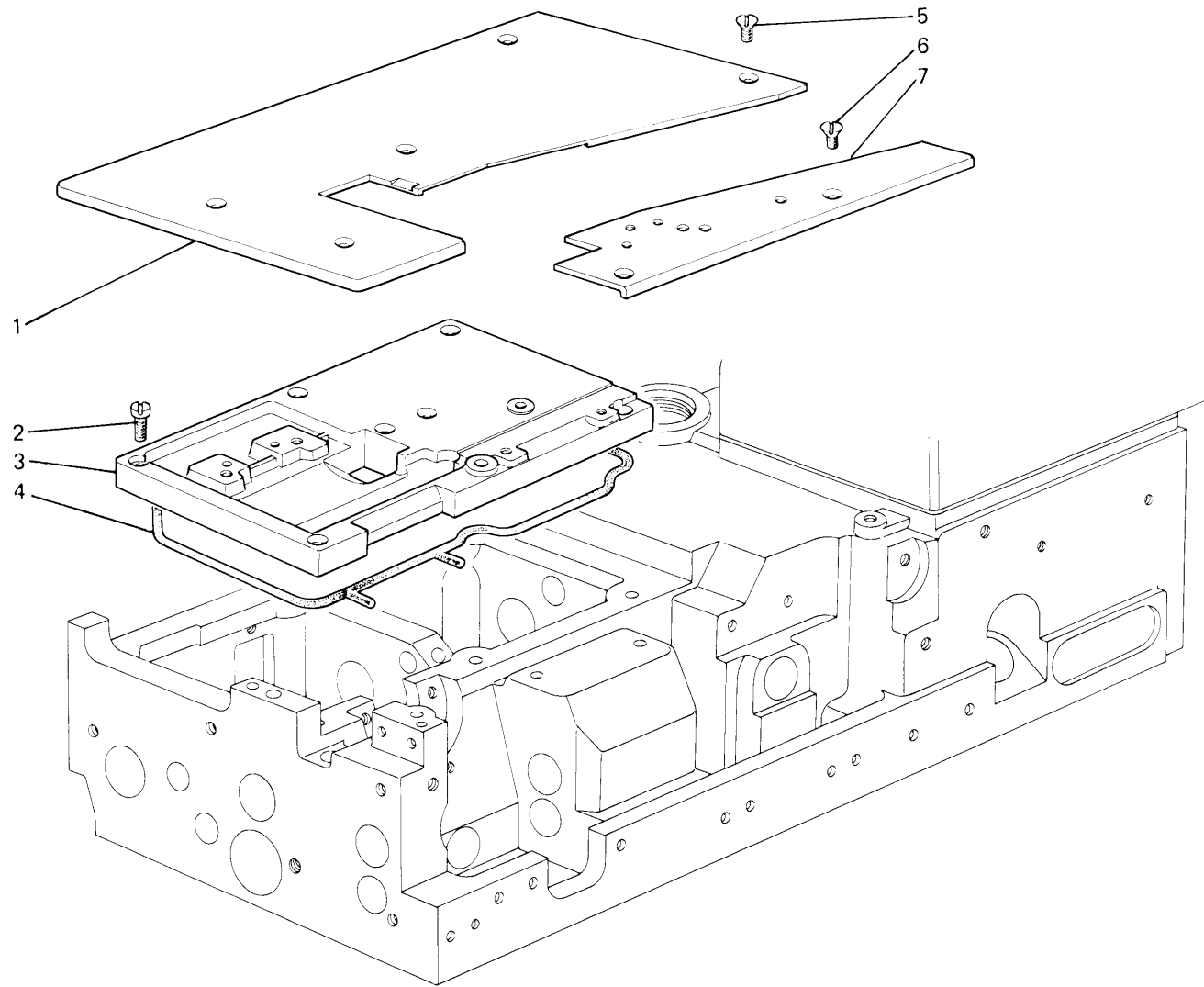


Fig. N.	Part. N. Piece N.	Qt.
1	933315-2-00	1
2	722432-2-00	5
3	321300-0-00	1
4	321301-0-00	1
5	744547-2-00	5
6	744567-2-00	2
7	321355-0-00	1

GRUPPI DI COMPOSIZIONE - COMPOSITION KITS - GROUPES DE KIT - KIT GRUPPEN - GRUPOS DE COMPOSICION

KIT DI CAMPIONATURA
SETTING KIT
KIT DE ECHANTILLONAGE
KIT PROBEENTNAHME
KIT DE MUESTRARIO

WFS-19

1

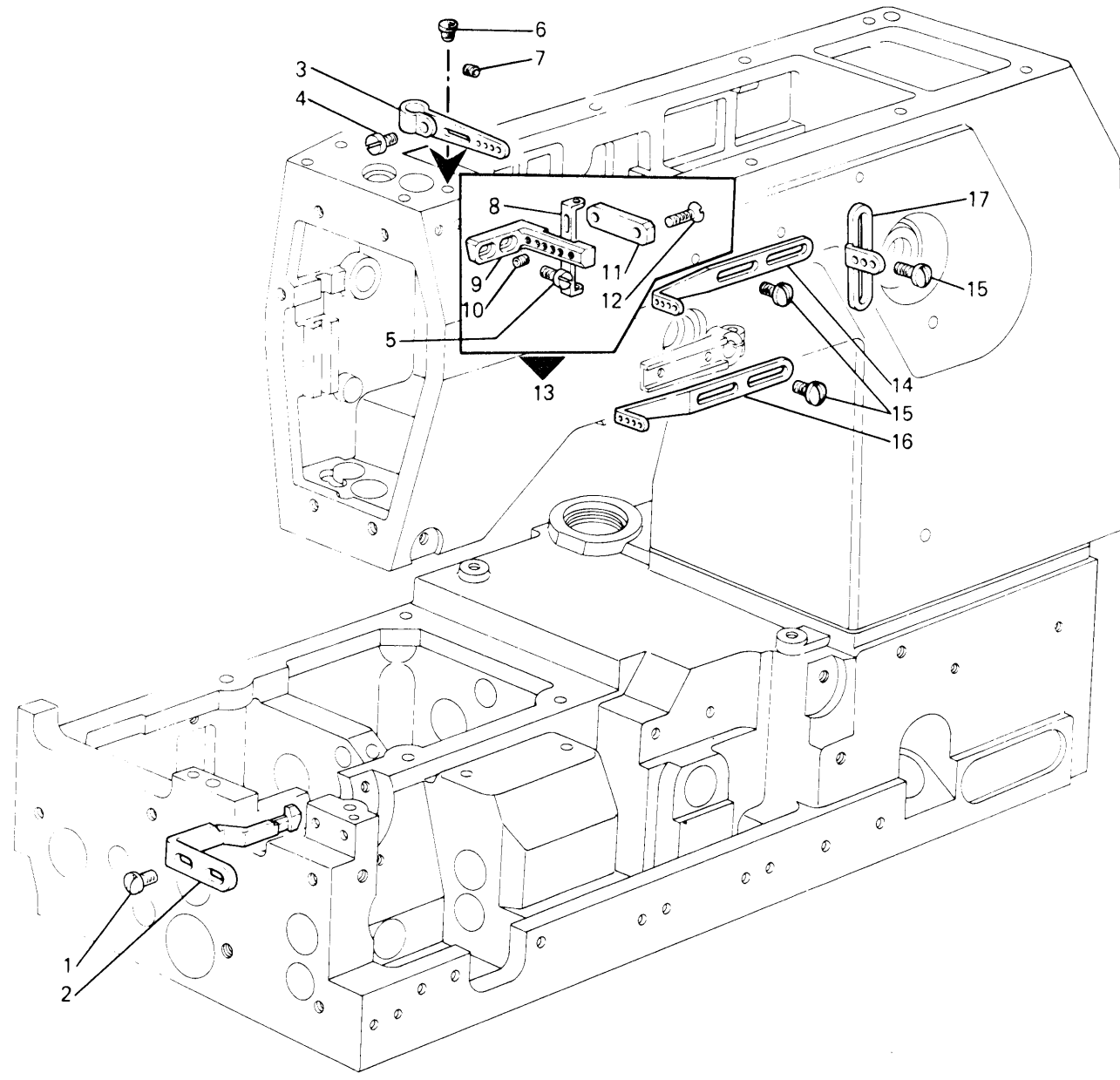


Fig. N.	Part. N. Piece N.	Qt.
1	300483-0-10	2
2	321100-0-00	1
3	315205-2-00	1
4	721810-2-00	1
5	741956-2-00	2
6	207574-0-00	1
7	729012-2-00	1
8	318435-0-00	4
9	315133-0-00	1
10	745800-2-00	4
11	315134-2-00	1
12	724430-2-00	2
13	315204-4-00	1
14	315124-0-00	1
15	303045-0-10	4
16	315122-0-00	1
17	308203-0-01	1

SEQUE
FOLLOWS

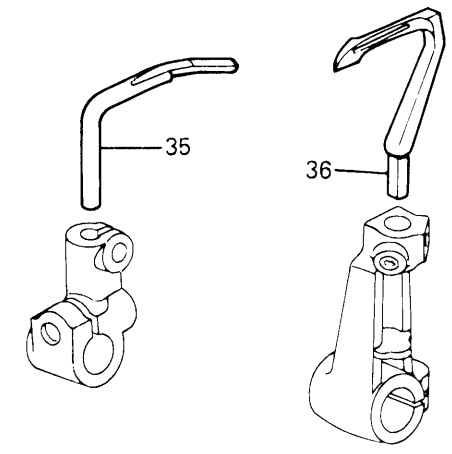
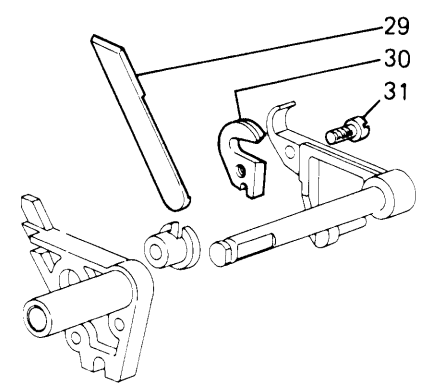
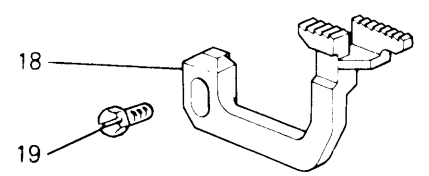
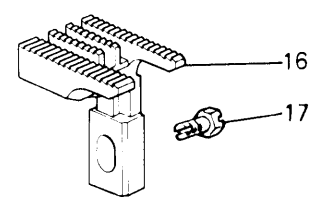
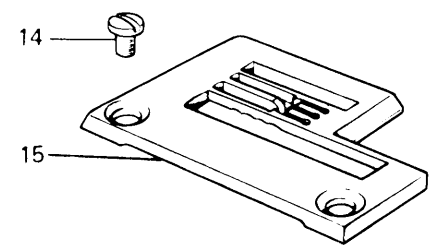
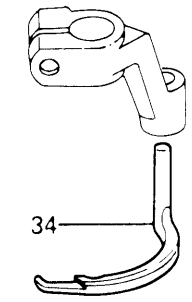
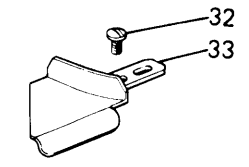
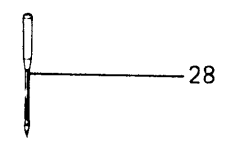
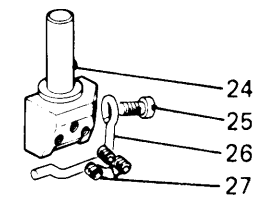
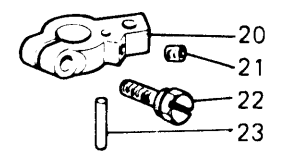
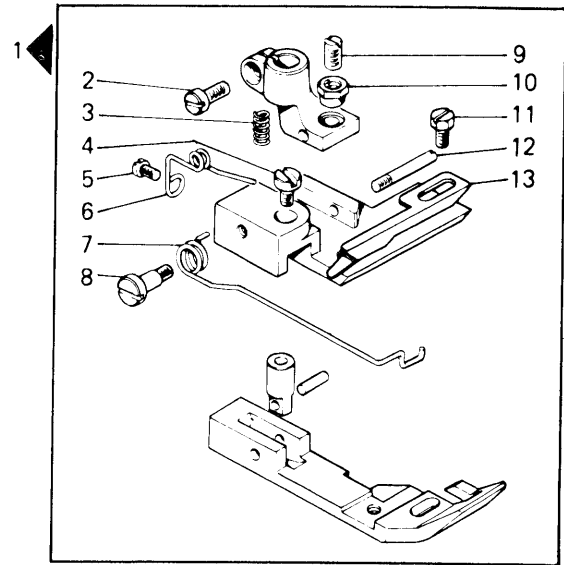


Fig. N.	Part. N. / Piece N.	Qt.
1	304485-3-11	1
2	741721-2-00	1
3	303052-0-00	1
4	741414-2-00	1
5	721411-2-00	1
6	300119-0-11	1
7	302821-0-10	1
8	743134-2-00	1
9	301596-0-11	1
10	301598-0-11	1
11	203658-0-10	1
12	300120-0-10	1
13	304411-0-11	1
14	744730-2-00	2
15	302774-0-10	1
16	321407-0-00	1
17	202488-0-10	1
18	321428-0-00	1
19	202489-0-10	1
20	302261-2-11	1
21	745001-2-00	1
22	302352-0-10	1
23	303174-0-10	1
24	309752-2-02	1
25	741611-2-00	1
26	309770-0-00	1
27	745810-2-00	3
28	766000-6-70	
29	302808-0-10	2
30	302807-0-10	2
31	741642-2-00	1
32	721434-2-00	2
33	321451-2-00	1
34	319093-0-00	1
35	321164-0-00	1
36	321128-0-00	1

SEGUE
FOLLOWS

CARATTERISTICHE E FUNZIONI DEI PARTICOLARI A RICHIESTA
CHARACTERISTICS AND FUNCTIONS OF REQUESTED SPARE PARTS
CARACTERISTIQUES ET FONCTIONS DES REFERENCES SUR DEMANDE
KENNZEICHEN UND FUNKTIONEN DER TEILE AUF ANFRAGE
CARACTERISTICAS Y FUNCIONES DE LOS REPUESTOS POR SOLICITUD

013/3

Fig. N.	X	Y	DESCRIZIONE	DESCRIPTION	DESCRIPTION	BENENNUNG	DESCRIPCION
1			GUIDA REGOLABILE.	ADJUSTABLE GUIDE.	GUIDE REGLABLE.	VERSTELLBARE FÜHRUNG.	GUIA REGULABLE.
12		W	CON PLACCHETTA IN LEGA DURA.	WITH HARD ALLOYED PLATE.	AVEC PLAQUETTE EN ALLIAGE DUR.	MIT HARTMETALL PLAETTCHEN.	CON PLACA EN ALEACION DURA.
13		A					
14		W	CON PLACCHETTA IN LEGA DURA.	WITH HARD ALLOYED PLATE.	AVEC PLAQUETTE EN ALLIAGE DUR.	MIT HARTMETALL PLAETTCHEN.	CON PLACA EN ALEACION DURA.

X = CALIBRO
Y = PASSO/FINITURA
A = ACCIAIO
D = DENTATO
G = GOMMATA
W = WIDIA

NEEDLES DISTANCE
DISTANCE/FINISHING
STEEL
TOOTHED
RUBBERED
WIDIA

ECARTEMENT
PAS/FINITION
ACIER
DENTE
CAOUTCHOUTEE
WIDIA

NADEL ABSTAND
TEILUNG/BEHANDLUNG
STAHL
GEZAEHNT
GUMMIBELEGTEN
WIDIA

CALIBRE
PASO/ACABADO
ACERO
DENTADO
ENGOMADO
WIDIA

A RICHIESTA PER - ON REQUEST FOR - SUR DEMANDE POUR - AUF ANFRAGE FUER - CON SOLICITUD PARA WFS-19-013-00-0

3

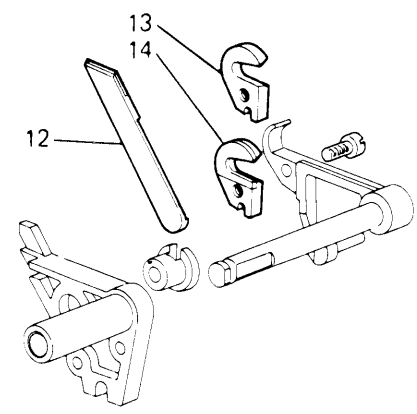
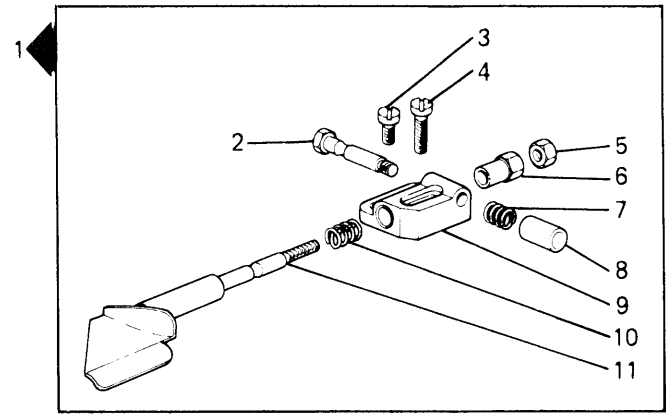


Fig. N.	Part. N. Piece N.	Qt.
1	321457-4-00	1
2	302762-0-10	1
3	721474-2-00	1
4	721494-2-00	1
5	746021-2-00	1
6	302769-0-10	1
7	302767-0-10	1
8	302770-0-10	1
9	302768-0-10	1
10	302766-0-10	1
11	321456-2-00	1
12	305670-2-00	1
13	302865-0-11	2
14	305671-2-00	1

CF Italia srl Corso Colombo, 46 21013 Gallarate (VA) Italia Tel. +39 0331 75071 www.cfirmoldi.com / info@cfirmoldi.com
Rimoldi Of America, 2315 N.W. 107 Avenue-Suite M43 33172 Miami, FL USA Ph: ++1 305 477 9943 lmelocchi@rimoldiusa.com