

FLEXSYSTEM®

Vega

Nuovo Cinematismo
New Kinematic Mechanism
Nouveaux Mouvements
Neves Kinematismus
Nuevo cinematismo

| | |
|--------------------------|------------|
| Dalla matricola | n. 1206938 |
| From serial | n. 1206938 |
| A partir de la matricule | n. 1206938 |
| Von seriennummer | n. 1206938 |
| A partir de la matricula | n. 1206938 |

Varianti al Catalogo n. 547
Le tavole barrate con la lettera A,
annullano e sostituiscono
le corrispondenti.

Variations to Catalogue n. 547
Tables crossed with letter A,
cancel and replace
the corresponding ones.

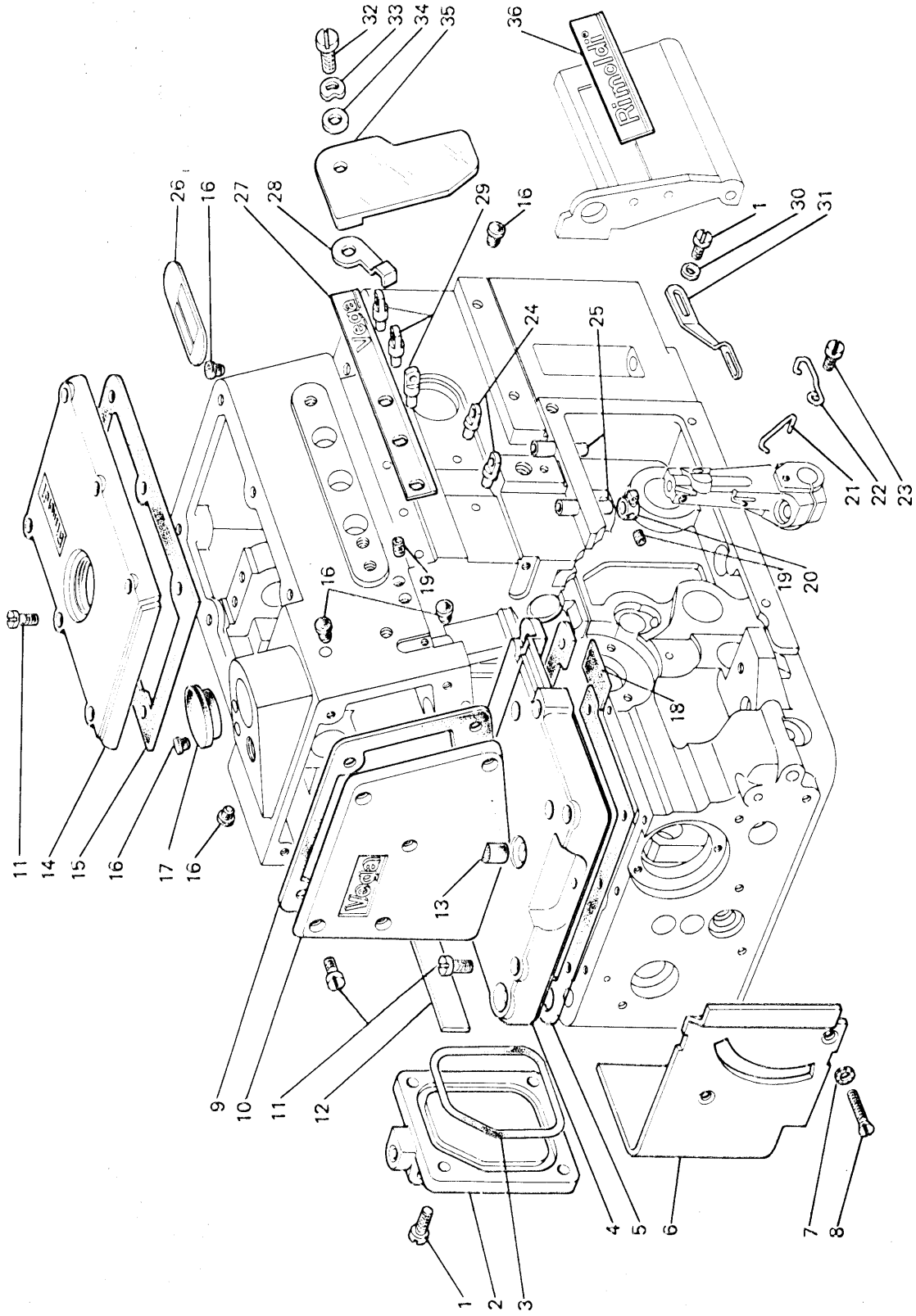
Modifications au Catalogue n. 547
Les tables barrees avec la lettre A,
sont en substitution
des correspondants.

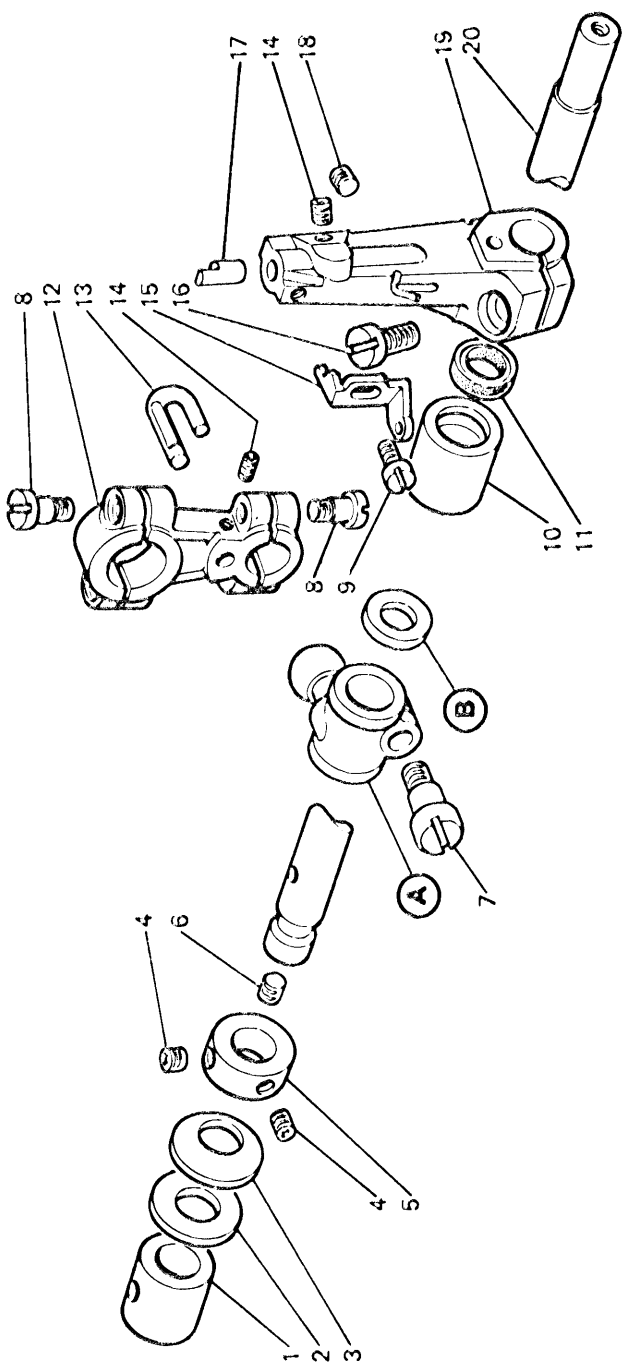
Änderungen zu Katalog n. 547
Die Blätter mit der Buchstabe A
ersetzen die gleichen
ohne Buchstabe.

Variaciones al Catalogo n. 547
Las tablas con la indicacion A,
anulan y sustituyen
a las correspondientes.

1a EDIZIONE - EDITION 5/93 **n. 547/A**

| Fig. N. | Part N. Piece N. | Qt. |
|---------|---------------------|-----|
| 1 | 741937-2-00 | 5 |
| 2 | 211412-0-00 | 1 |
| 3 | 211413-0-00 | 1 |
| 4 | 211418-0-00 | 1 |
| 5 | 211416-0-00 | 1 |
| 6 | 211690-0-00 | 1 |
| 7 | 703405-0-00 | 2 |
| 8 | 725032-0-00 | 2 |
| 9 | 211019-0-00 | 1 |
| 10 | 211016-0-01 | 1 |
| 11 | 741967-2-00 | 20 |
| 12 | 211056-0-00 | 1 |
| 13 | 209389-0-00 | 1 |
| 14 | 211017-0-01 | 1 |
| 15 | 211018-0-00 | 1 |
| 16 | 207893-0-00 | 10 |
| 17 | 311067-0-00 | 1 |
| 18 | 209417-0-00 | 1 |
| 19 | 745810-2-00 | 2 |
| 20 | 203135-2-10 | 1 |
| 21 | 211745-0-00 | 1 |
| 22 | 211741-0-00 | 1 |
| 23 | 741657-0-00 | 1 |
| 24 | 209760-0-00 | 2 |
| 25 | 206740-0-00 | 2 |
| 26 | 783200-0-00 | 1 |
| 27 | 211054-0-00 | 1 |
| 28 | 211020-0-00 | 1 |
| 29 | 211123-0-00 | 3 |
| 30 | 704106-2-00 | 1 |
| 31 | 211222-0-00 | 1 |
| 32 | 743547-2-00 | 1 |
| 33 | 208220-0-00 | 1 |
| 34 | 704630-0-00 | 1 |
| 35 | 209022-0-00 | 1 |
| 36 | 211055-0-00 | 1 |





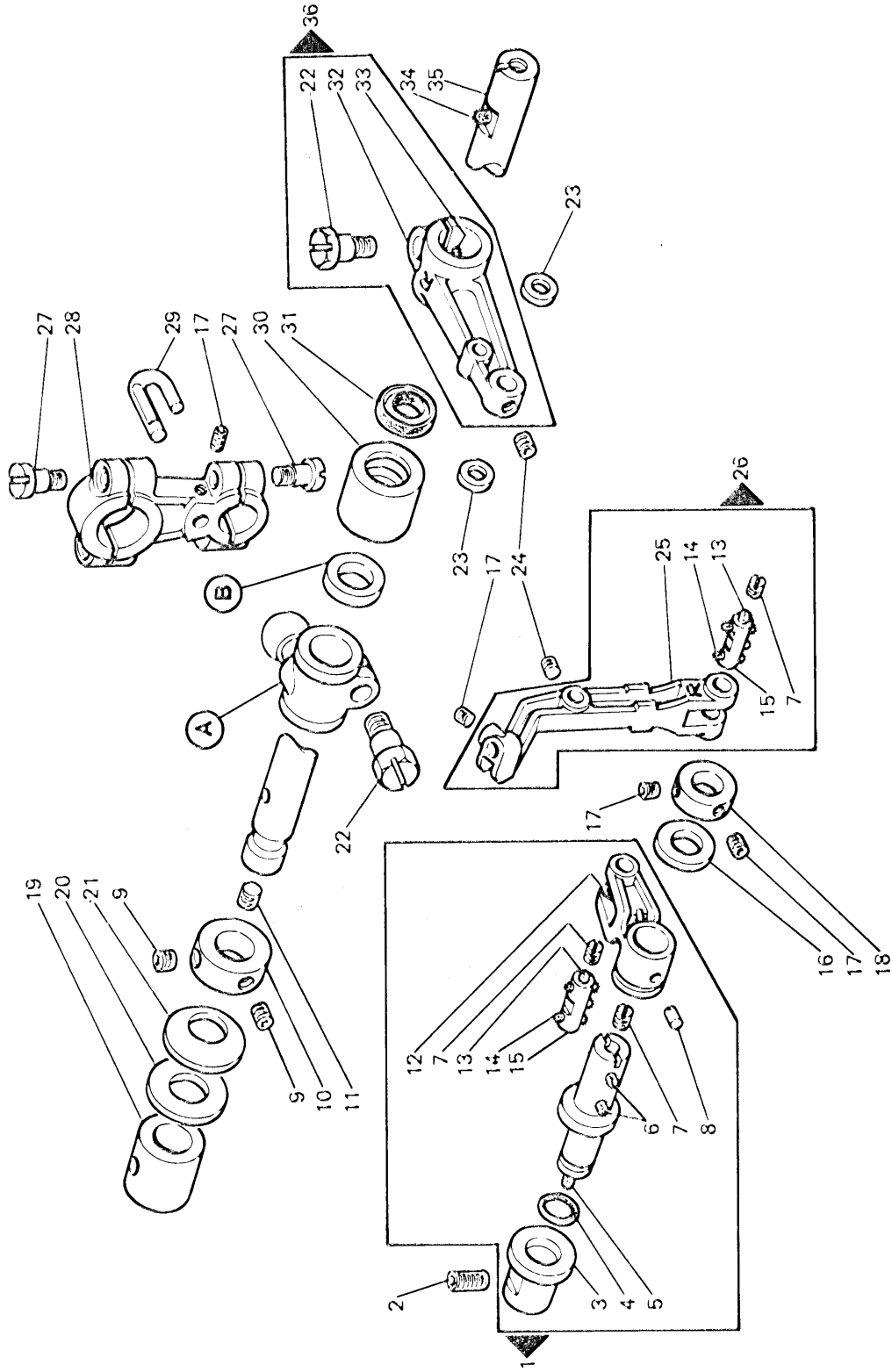
| | | |
|---------------|-------------|-------------|
| (A) | (B) | |
| F27-FS-1CD-AA | 211224-2-00 | 704885-0-00 |
| F27-FS-2CD-AE | 211221-2-00 | 704883-0-00 |
| F27-FS-2CD-AF | 211221-2-00 | 704883-0-00 |
| F27-FS-2MD-AG | 211221-2-00 | 704883-0-00 |
| F27-FS-2MD-AH | 211221-2-00 | 704883-0-00 |
| F27-FS-2MD-AL | 211221-2-00 | 704883-0-00 |

| Fig. N. | Part. N. Piece N. | Qt. |
|---------|-------------------|-----|
| 1 | 211209-0-01 | 1 |
| 2 | 705036-0-00 | 1 |
| 3 | 211281-0-00 | 1 |
| 4 | 729013-2-00 | 2 |
| 5 | 313060-2-00 | 1 |
| 6 | 727036-2-00 | 1 |
| 7 | 201128-0-10 | 1 |
| 8 | 722089-2-00 | 4 |
| 9 | 741415-2-00 | 1 |
| 10 | 211253-0-01 | 1 |
| 11 | 311166-0-00 | 1 |
| 12 | 209270-2-02 | 1 |
| 13 | 209272-0-00 | 1 |
| 14 | 745812-2-00 | 2 |
| 15 | 208015-0-00 | 1 |
| 16 | 721883-0-00 | 1 |
| 17 | 209258-0-00 | 1 |
| 18 | 745810-2-00 | 1 |
| 19 | 211250-2-00 | 1 |
| 20 | 211276-2-10 | 1 |

Rim[®] TAV.6/A

PORTA CROCHET SUPERIORE - UPPER LOOPER HOLDER - PORTE CROCHET SUPERIEUR - OBERE GREIFERTRAEGER - SOPORTE CROCHET SUPERIOR

| Fig. N. | Part. N. Piece N. | Qt. |
|---------|----------------------|-----|
| 1 | 211245-3-00 | 1 |
| 2 | 729054-2-00 | 1 |
| 3 | 211239-0-00 | 1 |
| 4 | 701005-0-00 | 1 |
| 5 | 778411-0-00 | 1 |
| 6 | 778204-0-00 | 4 |
| 7 | 745002-0-00 | 2 |
| 8 | 310724-0-00 | 1 |
| 9 | 725013-2-00 | 2 |
| 10 | 313050-2-00 | 1 |
| 11 | 727036-2-00 | 1 |
| 12 | 778503-0-00 | 1 |
| 13 | 778403-0-00 | 2 |
| 14 | 778202-0-00 | 10 |
| 15 | 211208-4-00 | 2 |
| 16 | 704873-0-00 | 1 |
| 17 | 745812-2-00 | 4 |
| 18 | 211241-2-00 | 1 |
| 19 | 211209-0-01 | 1 |
| 20 | 705036-0-00 | 1 |
| 21 | 211281-0-00 | 1 |
| 22 | 201128-0-10 | 2 |
| 23 | 211213-0-00 | 2 |
| 24 | 745810-2-00 | 2 |
| 25 | 211216-0-00 | 1 |
| 26 | 211254-3-00 | 1 |
| 27 | 722089-2-00 | 4 |
| 28 | 209270-2-02 | 1 |
| 29 | 209272-0-00 | 1 |
| 30 | 211253-0-01 | 1 |
| 31 | 311166-0-00 | 1 |
| 32 | 211215-2-00 | 1 |
| 33 | 778419-0-00 | 1 |
| 34 | 778208-0-00 | 1 |
| 35 | 211260-4-10 | 1 |
| 36 | 211255-4-00 | 1 |



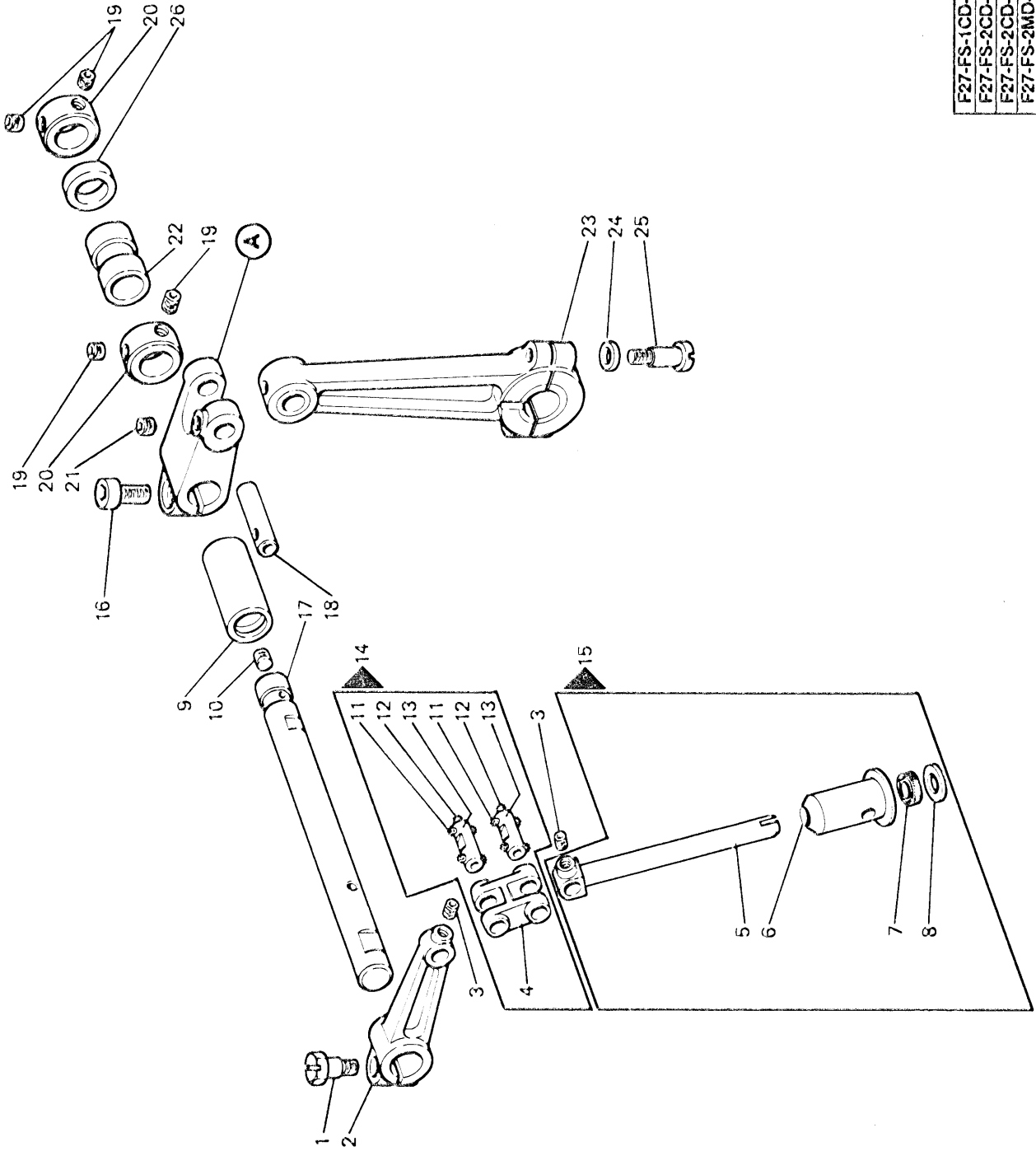
| (A) | (B) |
|---------------|-------------|
| F27-FS-1CD-AA | 211221-2-00 |
| F27-FS-2CD-AE | 211221-2-00 |
| F27-FS-2CD-AF | 211220-2-00 |
| F27-FS-2MD-AG | 211219-2-00 |
| F27-FS-2MD-AH | 211221-2-00 |
| F27-FS-2MD-AL | 211220-2-00 |

| |
|-------------|
| 704882-0-00 |
| 704885-0-00 |
| 704884-0-00 |
| 704884-0-00 |
| 704885-0-00 |
| 704884-0-00 |

BARRA AGO - NEEDLE BAR - BARRA AIGUILLE - NADELSTANGE - BARRA DE AGUJA

Rim[®] TAV.7/A

| Fig. N. | Part. N. Piece N. | Qt. |
|---------|----------------------|-----|
| 1 | 201128-0-10 | 1 |
| 2 | 211115-2-00 | 1 |
| 3 | 745810-2-00 | 2 |
| 4 | 211116-0-00 | 1 |
| 5 | 211114-0-00 | 1 |
| 6 | 211112-0-00 | 1 |
| 7 | 211110-0-00 | 1 |
| 8 | 211111-0-00 | 1 |
| 9 | 211119-0-00 | 1 |
| 10 | 727036-2-00 | 1 |
| 11 | 778204-0-00 | 8 |
| 12 | 778445-0-00 | 2 |
| 13 | 211129-4-00 | 2 |
| 14 | 211132-3-00 | 1 |
| 15 | 211109-4-00 | 1 |
| 16 | 744334-2-00 | 1 |
| 17 | 211113-0-00 | 1 |
| 18 | 209143-0-01 | 1 |
| 19 | 729013-2-00 | 4 |
| 20 | 313060-2-00 | 2 |
| 21 | 730022-2-00 | 1 |
| 22 | 211117-0-00 | 1 |
| 23 | 211106-2-00 | 1 |
| 24 | 704213-2-00 | 2 |
| 25 | 722149-2-00 | 2 |
| 26 | 704653-0-00 | 1 |



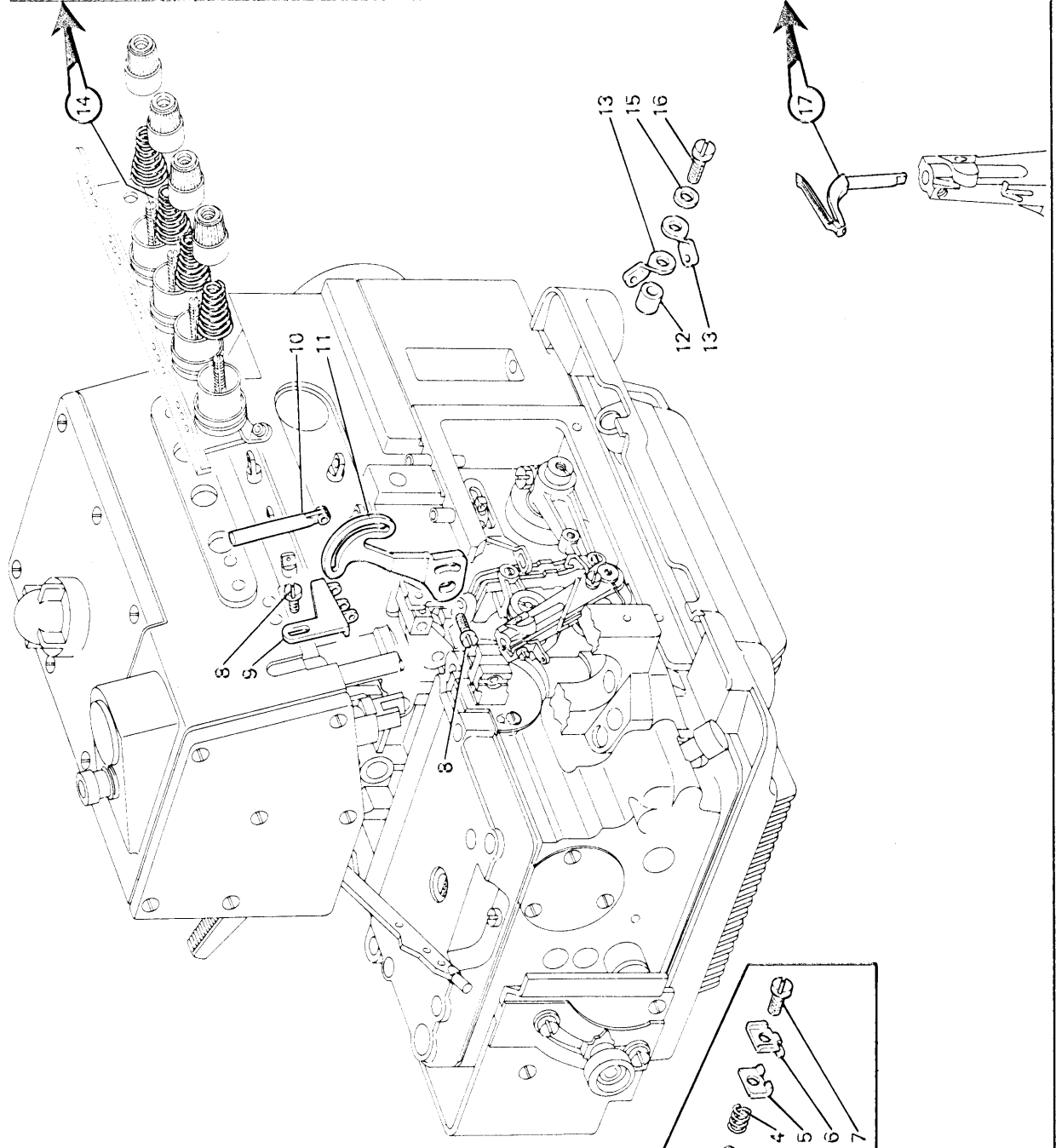
(A)

| | |
|---------------|-------------|
| F27-FS-1CD-AA | 211141-2-00 |
| F27-FS-2CD-AE | 211142-2-00 |
| F27-FS-2CD-AF | 211142-2-00 |
| F27-FS-2MD-AG | 211142-2-00 |
| F27-FS-2MD-AH | 211142-2-00 |
| F27-FS-2MD-AL | 211142-2-00 |

| Fig. N. | Part. N. Piece N. | Qt. |
|---------|----------------------|-----|
| 1 | 211163-4-00 | 1 |
| 2 | 211130-0-00 | 1 |
| 3 | 745812-2-00 | 1 |
| 4 | 209155-0-00 | 1 |
| 5 | 209171-0-00 | 1 |
| 6 | 211162-0-00 | 1 |
| 7 | 741634-2-00 | 1 |
| 8 | 741558-0-00 | 3 |
| 9 | 211164-0-00 | 1 |
| 10 | 206714-2-00 | 1 |
| 11 | 211159-0-00 | 1 |
| 12 | 211742-0-00 | 1 |
| 13 | 211748-0-00 | 2 |
| 14 | 202227-0-10 | 1 |
| 15 | 704104-2-00 | 1 |
| 16 | 722440-2-00 | 1 |
| 17 | 209264-0-01 | 1 |

PER - FOR - POUR
FÜR - PARA

- WFS-69-200-00-0
- WFS-69-201-00-0
- WFS-69-202-00-0
- WFS-69-203-00-0
- WFS-69-204-00-0
- WFS-69-205-00-0
- WFS-69-206-00-0
- WFS-69-207-00-0
- WFS-69-208-00-0
- WFS-69-209-00-0
- WFS-69-211-00-0
- WFS-69-212-00-0
- WFS-69-213-00-0
- WFS-69-214-00-0
- WFS-69-215-00-0
- WFS-69-216-00-0
- WFS-69-217-00-0
- WFS-69-218-00-0
- WFS-69-219-00-0
- WFS-69-220-00-0
- WFS-69-222-00-0
- WFS-69-223-00-0
- WFS-69-224-00-0



SOLO PER
ONLY FOR
SEULEM. POUR
NUR FÜR
SOLO PARA

- WFS-69-200-00-0
- WFS-69-201-00-0
- WFS-69-202-00-0
- WFS-69-204-00-0
- WFS-69-205-00-0
- WFS-69-206-00-0
- WFS-69-207-00-0
- WFS-69-208-00-0
- WFS-69-209-00-0
- WFS-69-211-00-0
- WFS-69-212-00-0
- WFS-69-213-00-0
- WFS-69-214-00-0
- WFS-69-215-00-0
- WFS-69-216-00-0
- WFS-69-217-00-0
- WFS-69-218-00-0
- WFS-69-219-00-0
- WFS-69-220-00-0
- WFS-69-223-00-0
- WFS-69-224-00-0

SOLO PER
ONLY FOR
SEULEM. POUR
NUR FÜR
SOLO PARA

- WFS-69-203-00-0
- WFS-69-222-00-0