

FLEXSYSTEM®

Vega

Nuovo Cinematismo
New Kinematic Mechanism
Nouveaux Mouvements
Neves Kinematismus
Nuevo cinematismo

Dalla matricola	n. 1206938
From serial	n. 1206938
A partir de la matricule	n. 1206938
Von seriennummer	n. 1206938
A partir de la matricula	n. 1206938

1a EDIZIONE - EDITION 5/93 **n. 537/A**

Varianti al Catalogo n. 537
Le tavole barrate con la lettera **A**,
annullano e sostituiscono
le corrispondenti.

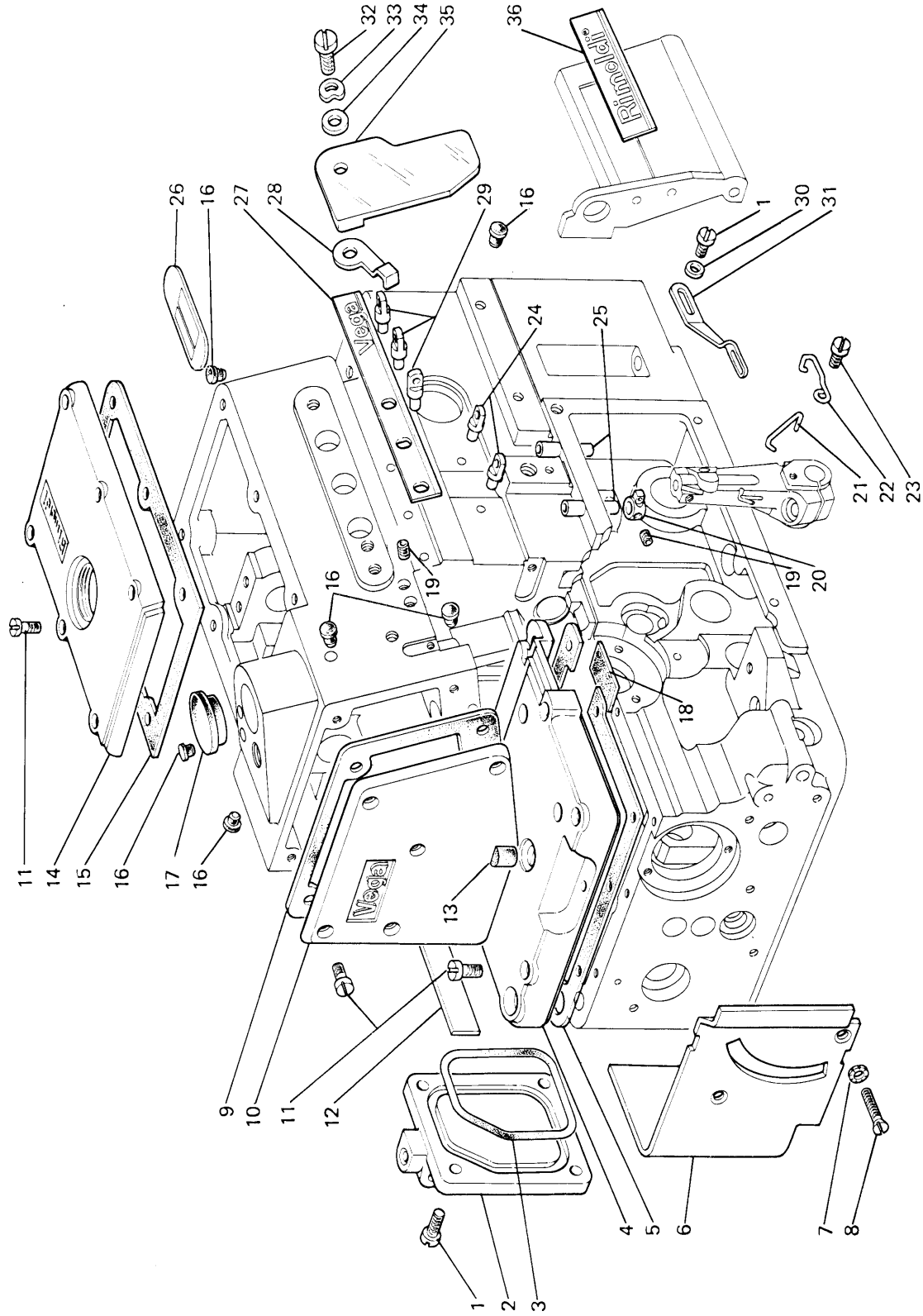
Variations to Catalogue n. 537
Tables crossed with letter **A**,
cancel and replace
the corresponding ones.

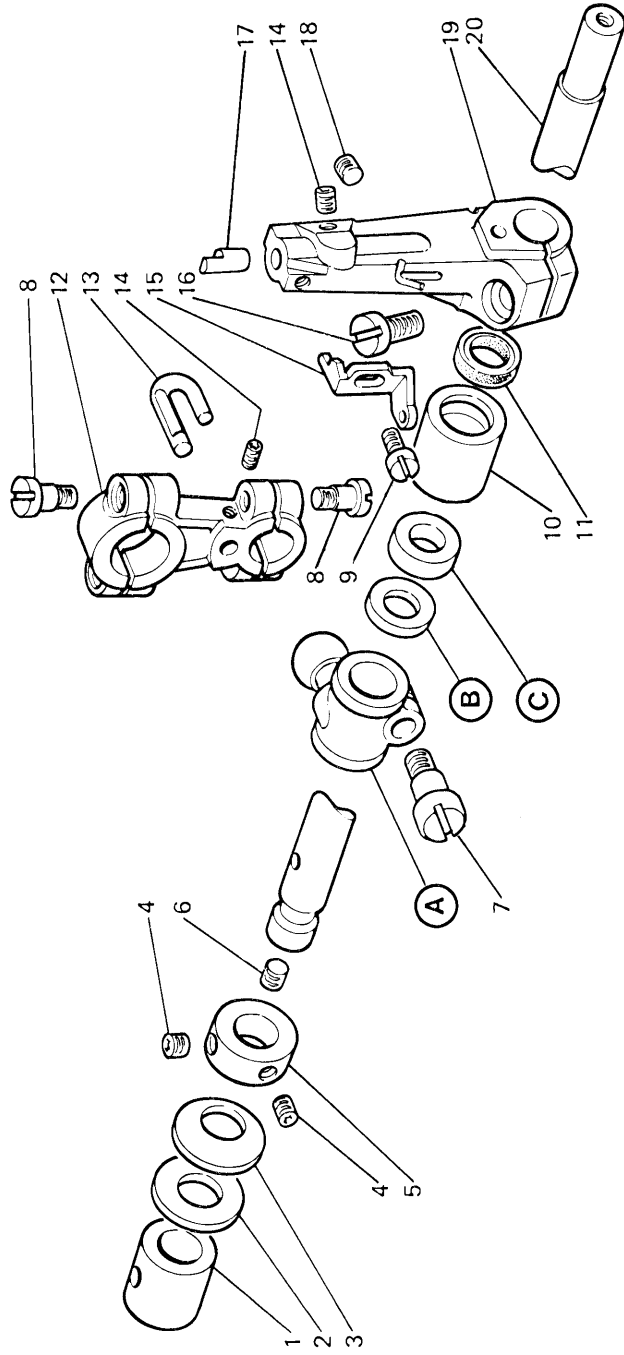
Modifications au Catalogue n. 537
Les tables barrees avec la lettre **A**,
sont en substitution
des correspondants.

Änderungen zu Katalog n. 537
Die Blätter mit der Buchstabe **A**
ersetzen die gleichen
ohne Buchstabe.

Variaciones al Catalogo n. 537
Las tablas con la indicacion **A**,
anulan y sustituyen
a las correspondientes.

Fig. N.	Part. N. Piece N.	Qt.
1	741937-2-00	5
2	211412-0-00	1
3	211413-0-00	1
4	211418-0-00	1
5	211416-0-00	1
6	211690-0-00	1
7	703405-0-00	2
8	725032-0-00	2
9	211019-0-00	1
10	211016-0-01	1
11	741967-2-00	20
12	211056-0-00	1
13	209389-0-00	1
14	211017-0-01	1
15	211018-0-00	1
16	207893-0-00	10
17	311067-0-00	1
18	209417-0-00	1
19	745810-2-00	2
20	203135-2-10	1
21	211745-0-00	1
22	211741-0-00	1
23	741657-0-00	1
24	209760-0-00	2
25	206740-0-00	2
26	783200-0-00	1
27	211054-0-00	1
28	211020-0-00	1
29	211123-0-00	3
30	704106-2-00	1
31	211222-0-00	1
32	743547-2-00	1
33	208220-0-00	1
34	704630-0-00	1
35	209022-0-00	1
36	211055-0-00	1

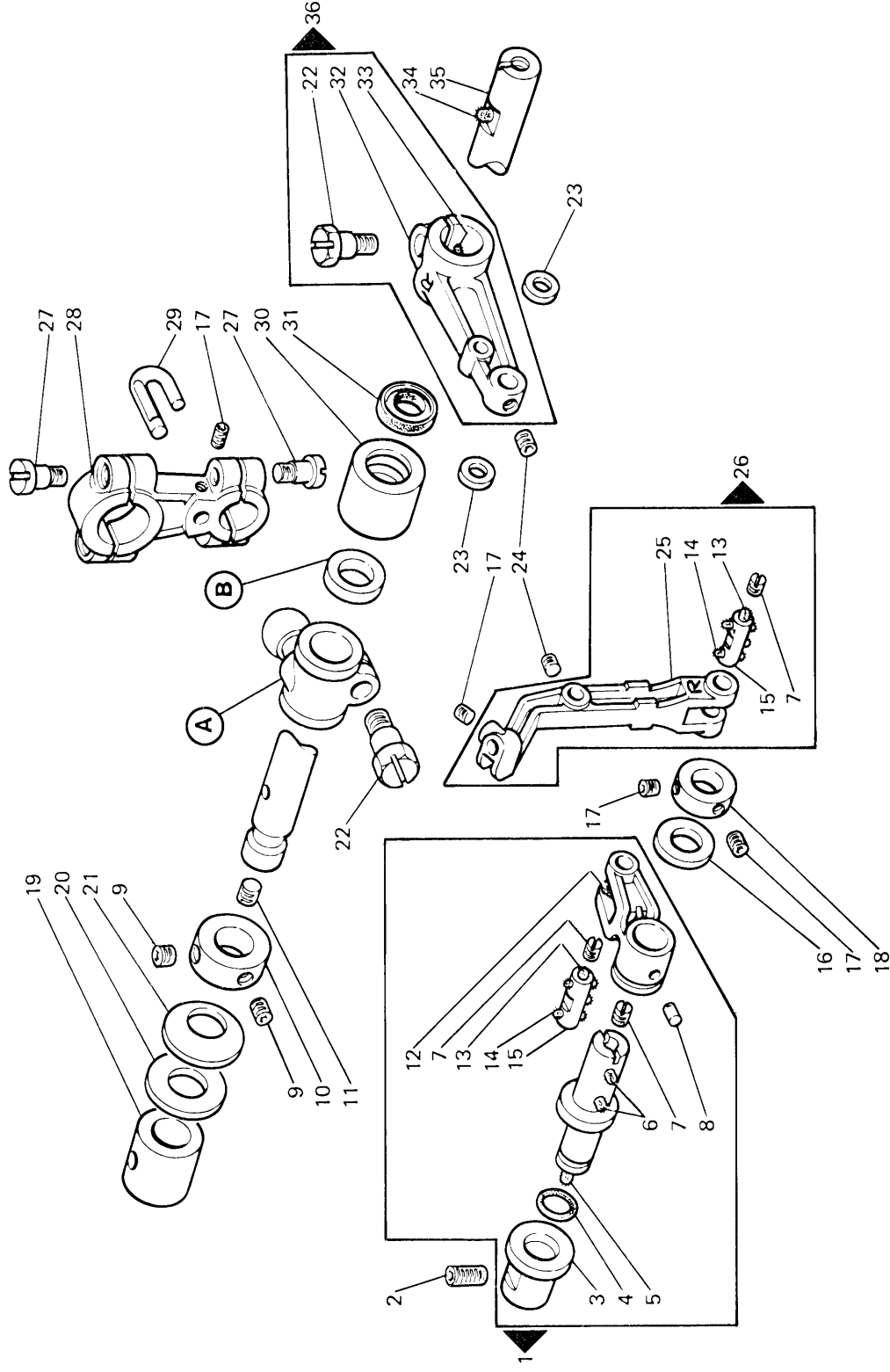




F27-FS-1CD-AA	211224-2-00	704885-0-00	---	(C)
F27-FS-1CD-AC	211228-2-00	704882-0-00	211263-0-00	---
F27-FS-1CD-BF	211224-2-00	704884-0-00	---	---
F27-FS-1CS-BD	211224-2-00	704885-0-00	---	---
F27-FS-1CU-AV	211224-2-00	704885-0-00	---	---
F27-FS-1MD-AB	211224-2-00	704885-0-00	---	---

Fig. N.	Part. N. Piece N.	Ct.
1	211209-0-01	1
2	705036-0-00	1
3	211281-0-00	1
4	729013-2-00	2
5	313060-2-00	1
6	727036-2-00	1
7	201128-0-10	1
8	722089-2-00	4
9	741415-2-00	1
10	211253-0-01	1
11	311166-0-00	1
12	209270-2-02	1
13	209272-0-00	1
14	745812-2-00	2
15	208015-0-00	1
16	721883-0-00	1
17	209258-0-00	1
18	745810-2-00	1
19	211250-2-00	1
20	211276-2-10	1

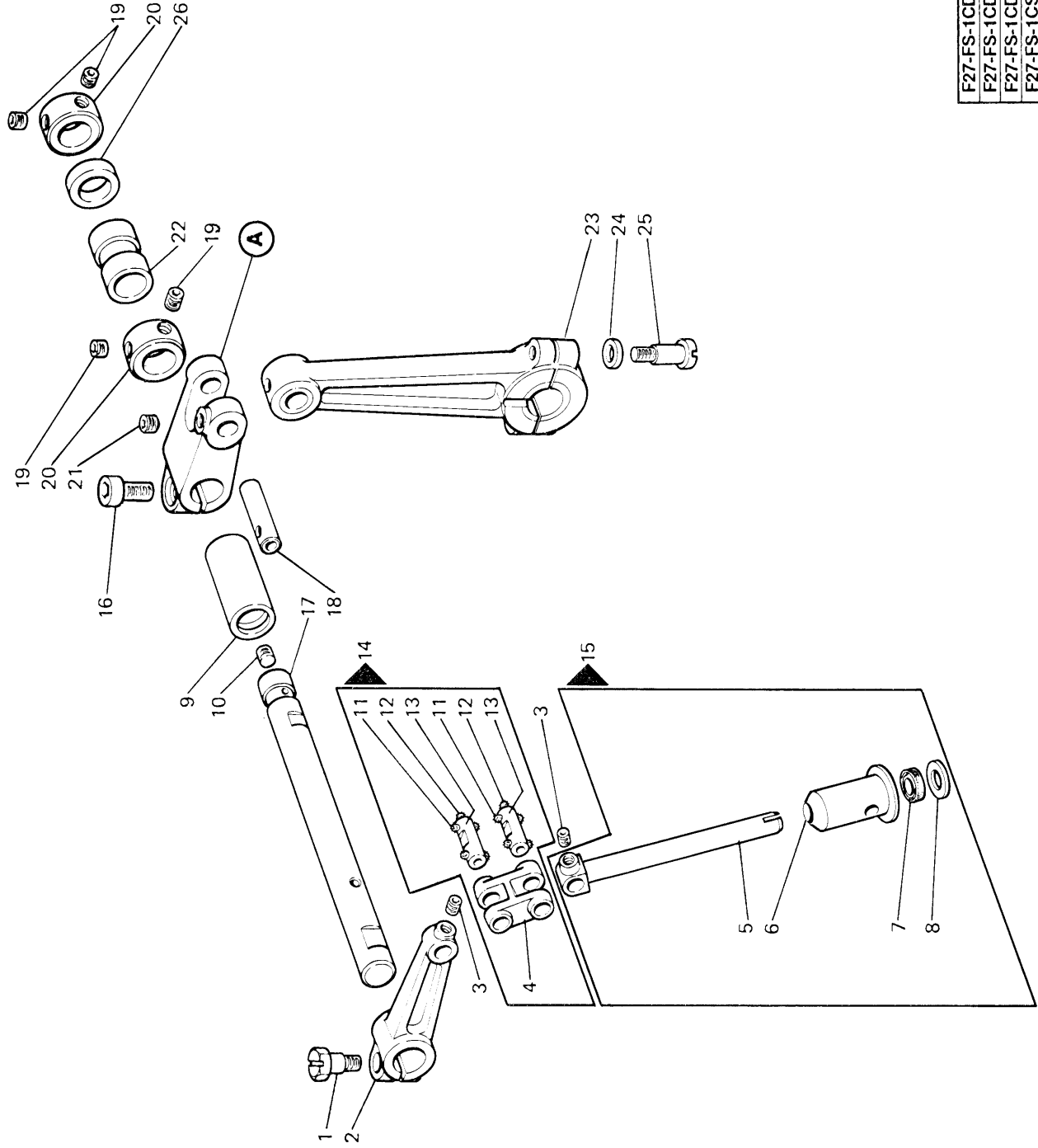
Fig. N.	Part. N. Piece N.	Qt.
1	211245-3-00	1
2	729064-2-00	1
3	211239-0-00	1
4	701005-0-00	1
5	778411-0-00	1
6	778204-0-00	4
7	745002-0-00	2
8	310724-0-00	1
9	729013-2-00	2
10	313060-2-00	1
11	727036-2-00	1
12	778503-0-00	1
13	778403-0-00	2
14	778202-0-00	10
15	211208-4-00	2
16	704873-0-00	1
17	745812-2-00	4
18	211241-2-00	1
19	211209-0-01	1
20	705036-0-00	1
21	211281-0-00	1
22	201128-0-10	2
23	211213-0-00	2
24	745810-2-00	2
25	211216-0-00	1
26	211254-3-00	1
27	722089-2-00	4
28	209270-2-02	1
29	209272-0-00	1
30	211253-0-01	1
31	311166-0-00	1
32	211215-2-00	1
33	778419-0-00	1
34	778208-0-00	1
35	211280-4-10	1
36	211255-4-00	1



(A) (B)

F27-FS-1CD-AA	211221-2-00	704882-0-00
F27-FS-1CD-AC	211221-2-00	704882-0-00
F27-FS-1CD-BF	211221-2-00	704882-0-00
F27-FS-1CS-BD	211221-2-00	704882-0-00
F27-FS-1CU-AV	211221-2-00	704882-0-00
F27-FS-1MD-AB	211219-2-00	704886-0-00

Fig. N.	Part. N. Piece N.	Qt.
1	201128-0-10	1
2	211115-2-00	1
3	745810-2-00	2
4	211116-0-00	1
5	211114-0-00	1
6	211112-0-00	1
7	211110-0-00	1
8	211111-0-00	1
9	211119-0-00	1
10	727036-2-00	1
11	778204-0-00	8
12	778445-0-00	2
13	211129-4-00	2
14	211132-3-00	1
15	211109-4-00	1
16	744334-2-00	1
17	211113-0-00	1
18	209143-0-01	1
19	729013-2-00	4
20	313060-2-00	2
21	730022-2-00	1
22	211117-0-00	1
23	211106-2-00	1
24	704213-2-00	2
25	722149-2-00	2
26	704853-0-00	1



(A)

F27-FS-1CD-AA	211141-2-00
F27-FS-1CD-AC	211141-2-00
F27-FS-1CD-BF	211140-2-00
F27-FS-1CS-BD	211141-2-00
F27-FS-1CU-AV	211141-2-00
F27-FS-1MD-AB	211142-2-00

Fig. N.	Part. N. Piece N.	Qt.
1	745812-2-00	1
2	211125-0-00	1
3	741558-0-00	3
4	211126-0-00	1
5	206714-2-00	1
6	211139-0-00	1
7	211742-0-00	1
8	211748-0-00	2
9	202227-0-10	3
10	704104-2-00	1
11	722440-2-00	1

PER - FOR - POUR
FÜR - PARA

- WFS-69-100-00-0
- WFS-69-101-00-0
- WFS-69-102-00-0
- WFS-69-103-00-0
- WFS-69-104-00-0
- WFS-69-105-00-0
- WFS-69-106-00-0
- WFS-69-107-00-0
- WFS-69-108-00-0
- WFS-69-109-00-0
- WFS-69-110-00-0
- WFS-69-111-00-0
- WFS-69-112-00-0
- WFS-69-113-00-0
- WFS-69-114-00-0
- WFS-69-115-00-0
- WFS-69-116-00-0
- WFS-69-117-00-0
- WFS-69-118-00-0
- WFS-69-119-00-0
- WFS-69-120-00-0
- WFS-69-121-00-0
- WFS-69-122-00-0
- WFS-69-123-00-0
- WFS-69-124-00-0
- WFS-69-125-00-0
- WFS-69-126-00-0
- WFS-69-127-00-0
- WFS-69-128-00-0
- WFS-69-129-00-0
- WFS-69-130-00-0
- WFS-69-131-00-0
- WFS-69-132-00-0
- WFS-69-133-00-0
- WFS-69-134-00-0
- WFS-69-135-00-0
- WFS-69-137-00-0
- WFS-69-138-00-0
- WFS-69-139-00-0

