

PER TESTE	261-38-3MD-01	264-00-1MD-24
FOR HEADS	261-38-4MA-10	264-00-2CA-01
POUR TETES	261-38-4MA-11	264-00-2CA-02
FÜR MASCHINEN		264-00-2CA-03
POR CABEZALES	263-10-3MD-02	264-00-2LA-03
	263-20-2MD-01	264-00-2LA-33
	263-30-2MR-09	264-00-2LA-34
	263-38-3MA-01	264-00-2LA-35
	263-38-3MA-02	264-00-2LA-36
	263-38-3MA-03	264-00-3LA-01
	263-38-4MR-01	264-00-3LA-03
	263-46-3MD-01	264-38-1MD-14
	263-46-3MD-04	264-38-2CA-04
	263-46-3MD-05	264-38-2CA-05
	263-46-3MD-09	264-38-2CA-07
	263-46-3MD-10	264-38-2CA-08
	263-46-3MD-14	264-38-2CA-09
	263-46-4MD-05	264-38-2CA-12
		264-38-2CA-13
	264-00-1CA-18	
	264-00-1CD-09	268-00-2MD-19
	264-00-1LA-39	268-00-2MD-31
	264-00-1MA-25	268-00-3MD-01
	264-00-1MD-11	

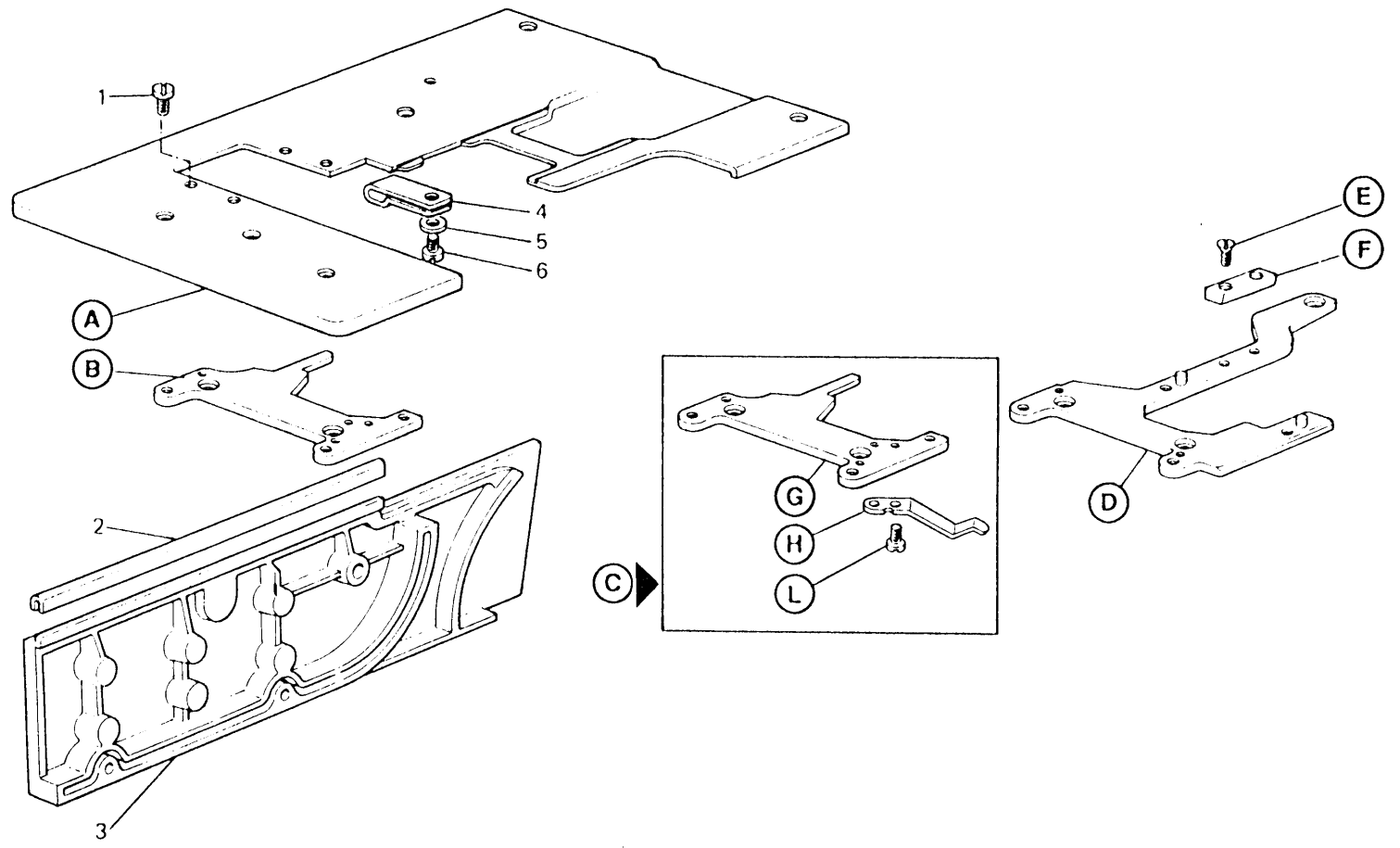
1a EDIZIONE - EDITION 2/91 **n. 535**

**APPARECCHIATURE
ATTACHMENTS
DISPOSITIFS
VORRICHTUNGEN
DISPOSITIVOS**

Rim® TAV. 1

Fig. N.	Part. N. Piece N.	Qt.
1	744651-5-00	4
2	926022-2-02	1
3	926226-0-00	1
4	923302-0-10	1
5	704306-0-00	1
6	741913-4-00	1

146-10
146-30

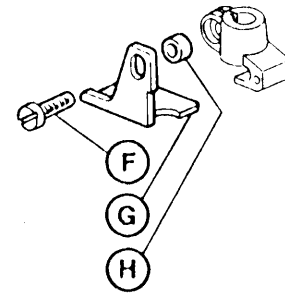
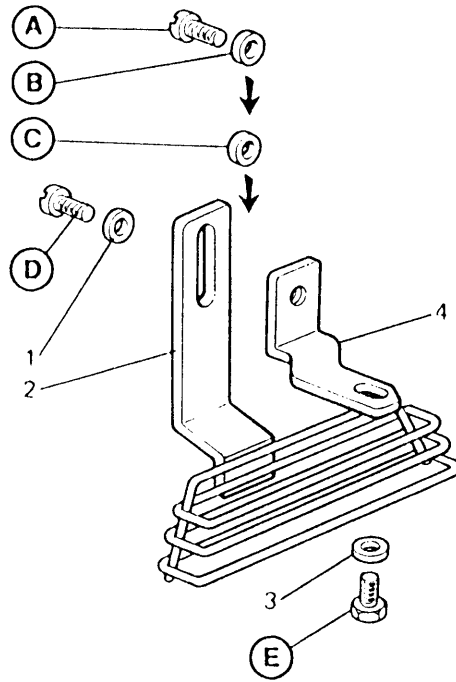


	A	B	C	D	E	F	G	H	L
261-38-3MD-01	926206-2-00	926223-2-00	---	---	---	---	---	---	---
261-38-4MA-10	926208-2-00	926223-2-00	---	---	---	---	---	---	---
261-38-4MA-11	926208-2-00	926223-2-00	---	---	---	---	---	---	---
263-10-3MD-02	926206-2-00	926223-2-00	---	---	---	---	---	---	---
263-20-2MD-01	926206-2-00	926223-2-00	---	---	---	---	---	---	---
263-30-2MR-09	926206-2-00	926223-2-00	---	---	---	---	---	---	---
263-38-3MA-01	926208-2-00	---	926220-4-00	---	---	---	926223-2-00	300277-0-10	721424-2-00
263-38-3MA-02	926209-2-00	---	926220-4-00	---	---	---	926223-2-00	300277-0-10	721424-2-00
263-38-3MA-03	926208-2-00	---	926220-4-00	---	---	---	926223-2-00	300277-0-10	721424-2-00
263-38-4MR-01	926210-2-00	926223-2-00	---	---	---	---	---	---	---
263-46-3MD-01	926206-2-00	926223-2-00	---	---	---	---	---	---	---
263-46-3MD-04	926206-2-00	926223-2-00	---	---	---	---	---	---	---
263-46-3MD-05	926206-2-00	926223-2-00	---	---	---	---	---	---	---
263-46-3MD-09	926206-2-00	926223-2-00	---	---	---	---	---	---	---
263-46-3MD-10	926206-2-00	926223-2-00	---	---	---	---	---	---	---
263-46-3MD-14	926206-2-00	926223-2-00	---	---	---	---	---	---	---
263-46-4MD-05	926206-2-00	926223-2-00	---	---	---	---	---	---	---
264-00-1CA-18	926206-2-00	926223-2-00	---	---	---	---	---	---	---
264-00-1CD-09	926206-2-00	926223-2-00	---	---	---	---	---	---	---
264-00-1LA-39	926207-2-00	---	---	926221-2-00	---	---	---	---	---
264-00-1MA-25	926206-2-00	926223-2-00	---	---	---	---	---	---	---
264-00-1MD-11	926206-2-00	926223-2-00	---	---	---	---	---	---	---
264-00-1MD-24	926206-2-00	926223-2-00	---	---	---	---	---	---	---
264-00-2CA-01	926206-2-00	926223-2-00	---	---	---	---	---	---	---
264-00-2CA-02	926206-2-00	926223-2-00	---	---	---	---	---	---	---
264-00-2CA-03	926206-2-00	926223-2-00	---	---	---	---	---	---	---
264-00-2LA-03	926207-2-00	---	---	926221-2-00	744651-5-00	926227-0-00	---	---	---
264-00-2LA-33	926207-2-00	---	---	926221-2-00	744651-5-00	926227-0-00	---	---	---
264-00-2LA-34	926207-2-00	---	---	926221-2-00	744651-5-00	926227-0-00	---	---	---
264-00-2LA-35	926207-2-00	---	---	926221-2-00	744651-5-00	926227-0-00	---	---	---
264-00-2LA-36	926207-2-00	---	---	926221-2-00	744651-5-00	926227-0-00	---	---	---
264-00-3LA-01	926207-2-00	---	---	926221-2-00	744651-5-00	926227-0-00	---	---	---
264-00-3LA-03	926207-2-00	---	---	926221-2-00	744651-5-00	926227-0-00	---	---	---
264-38-1MD-14	926206-2-00	926223-2-00	---	---	---	---	---	---	---
264-38-2CA-04	926208-2-00	926223-2-00	---	---	---	---	---	---	---
264-38-2CA-05	926208-2-00	926223-2-00	---	---	---	---	---	---	---
264-38-2CA-07	926208-2-00	926223-2-00	---	---	---	---	---	---	---
264-38-2CA-08	926208-2-00	926223-2-00	---	---	---	---	---	---	---
264-38-2CA-09	926208-2-00	926223-2-00	---	---	---	---	---	---	---
264-38-2CA-12	926208-2-00	926223-2-00	---	---	---	---	---	---	---
264-38-2CA-13	926206-2-00	926223-2-00	---	---	---	---	---	---	---
268-00-2MD-19	926206-2-00	926223-2-00	---	---	---	---	---	---	---
268-00-2MD-31	926206-2-00	926223-2-00	---	---	---	---	---	---	---
268-00-3MD-01	926206-2-00	926223-2-00	---	---	---	---	---	---	---

Rim[®] TAV. 2

Fig. N.	Part. N. Piece N.	Qt.
1	704412-0-00	1
2	926422-2-00	1
3	704218-2-00	1
4	926488-0-10	1

146-10
146-30

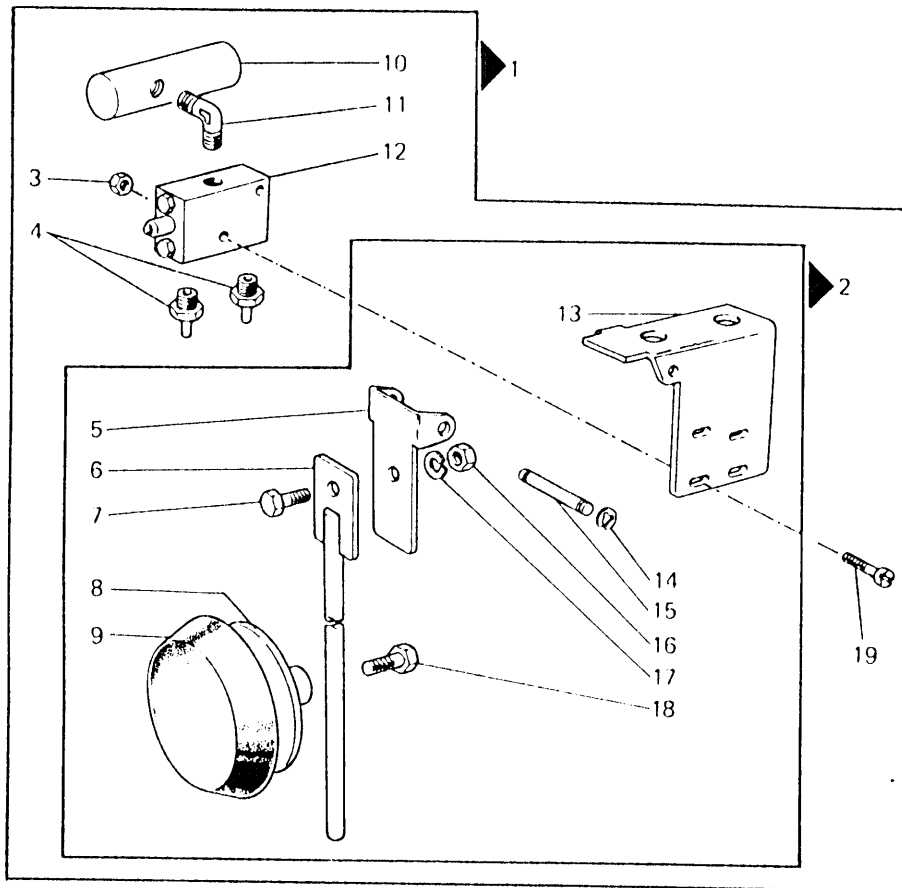


	A	B	C	D	E	F	G	H
261-38-3MD-01	---	---	---	721485-2-00	740031-2-00	741791-2-00	926450-0-01	303504-0-10
261-38-4MA-10	---	---	---	721485-2-00	740031-2-00	741791-2-00	926478-0-01	303504-0-10
261-38-4MA-11	---	---	---	721485-2-00	740031-2-00	741791-2-00	926478-0-01	303504-0-10
263-10-3MD-02	---	---	---	721485-2-00	740051-2-00	741751-2-00	926450-0-01	303504-0-10
263-20-2MD-01	---	---	---	721485-2-00	740031-2-00	741751-2-00	926450-0-01	303504-0-10
263-30-2MR-09	---	---	---	721485-2-00	740051-2-00	741751-2-00	926478-0-01	303504-0-10
263-38-3MA-01	---	---	---	721485-2-00	740051-2-00	741791-2-00	926478-0-01	303504-0-10
263-38-3MA-02	---	---	---	721485-2-00	740051-2-00	741791-2-00	926478-0-01	303504-0-10
263-38-3MA-03	---	---	---	721485-2-00	740051-2-00	741791-2-00	926478-0-01	303504-0-10
263-38-4MR-01	721515-2-00	304257-0-10	---	---	740051-2-00	---	926478-0-01	---
263-46-3MD-01	---	---	---	721485-2-00	740051-2-00	741791-2-00	926450-0-01	303504-0-10
263-46-3MD-04	---	---	---	721485-2-00	740051-2-00	741751-2-00	926450-0-01	303504-0-10
263-46-3MD-05	---	---	---	721485-2-00	740051-2-00	741751-2-00	926450-0-01	303504-0-10
263-46-3MD-09	---	---	---	721485-2-00	740051-2-00	741751-2-00	926450-0-01	303504-0-10
263-46-3MD-10	---	---	---	721485-2-00	740051-2-00	741751-2-00	926450-0-01	303504-0-10
263-46-3MD-14	---	---	---	721485-2-00	740051-2-00	741751-2-00	926450-0-01	303504-0-10
263-46-4MD-05	---	---	---	721485-2-00	740031-2-00	741751-2-00	926450-0-01	303504-0-10
264-00-1CA-18	---	---	---	721485-2-00	740031-2-00	---	926233-0-01	704305-0-00
264-00-1CD-09	---	---	---	721485-2-00	740031-2-00	---	926478-0-01	---
264-00-1LA-39	---	---	704412-0-00	721485-2-00	740031-2-00	---	926478-0-01	---
264-00-1MA-25	---	---	---	721485-2-00	740031-2-00	---	926478-0-01	---
264-00-1MD-11	---	---	---	721485-2-00	740031-2-00	---	926478-0-01	---
264-00-1MD-24	---	---	---	721485-2-00	740031-2-00	---	926478-0-01	---
264-00-2CA-01	---	---	---	721485-2-00	740031-2-00	---	926478-0-01	---
264-00-2CA-02	---	---	---	721485-2-00	740031-2-00	---	926478-0-01	---
264-00-2CA-03	---	---	---	721485-2-00	740031-2-00	---	926478-0-01	---
264-00-2LA-03	---	---	704412-0-00	721485-2-00	740031-2-00	---	---	---
264-00-2LA-33	---	---	704412-0-00	721485-2-00	740031-2-00	741791-2-00	926477-0-01	303504-0-10
264-00-2LA-34	---	---	704412-0-00	721485-2-00	740031-2-00	741791-2-00	926477-0-01	303504-0-10
264-00-2LA-35	---	---	704412-0-00	721485-2-00	740031-2-00	741791-2-00	926478-0-01	303504-0-10
264-00-2LA-36	---	---	704412-0-00	721485-2-00	740031-2-00	---	926478-0-01	---
264-00-3LA-01	---	---	704412-0-00	721485-2-00	740031-2-00	---	---	---
264-00-3LA-03	---	---	704412-0-00	721485-2-00	740031-2-00	---	---	---
264-38-1MD-14	---	---	---	721485-2-00	740051-2-00	---	926478-0-01	---
264-38-2CA-04	---	---	---	721485-2-00	740031-2-00	741791-2-00	926478-0-01	303504-0-10
264-38-2CA-05	---	---	---	721485-2-00	740031-2-00	741791-2-00	926478-0-01	303504-0-10
264-38-2CA-07	---	---	---	721485-2-00	740031-2-00	741791-2-00	926478-0-01	303504-0-10
264-38-2CA-08	---	---	---	721485-2-00	740031-2-00	741791-2-00	926478-0-01	303504-0-10
264-38-2CA-09	---	---	---	721485-2-00	740031-2-00	741791-2-00	926478-0-01	303504-0-10
264-38-2CA-12	---	---	---	721485-2-00	740031-2-00	741791-2-00	926478-0-01	303504-0-10
264-38-2CA-13	---	---	---	721485-2-00	740031-2-00	741791-2-00	926478-0-01	303504-0-10
268-00-2MD-19	---	---	---	721485-2-00	740051-2-00	303428-0-10	926478-0-01	303504-0-10
268-00-2MD-31	---	---	---	721485-2-00	740051-2-00	303428-0-10	926478-0-01	303504-0-10
268-00-3MD-01	---	---	---	721485-2-00	740051-2-00	303428-0-10	926478-0-01	303504-0-10

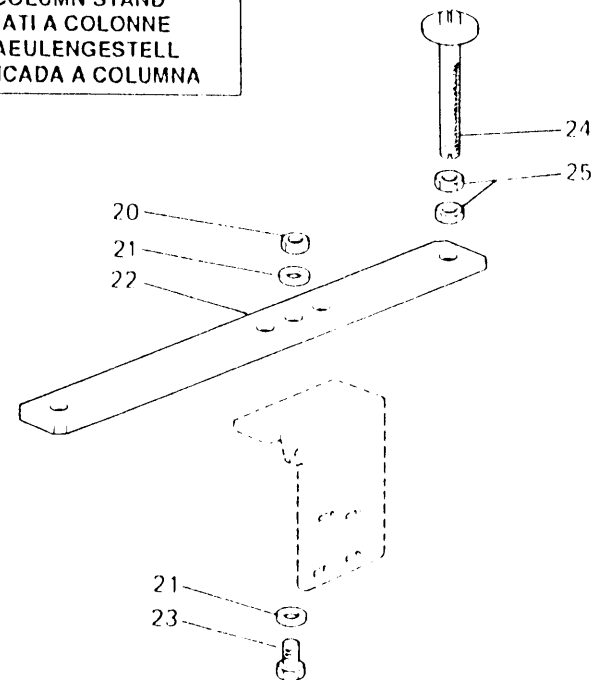
Rim® TAV. 3

146-10

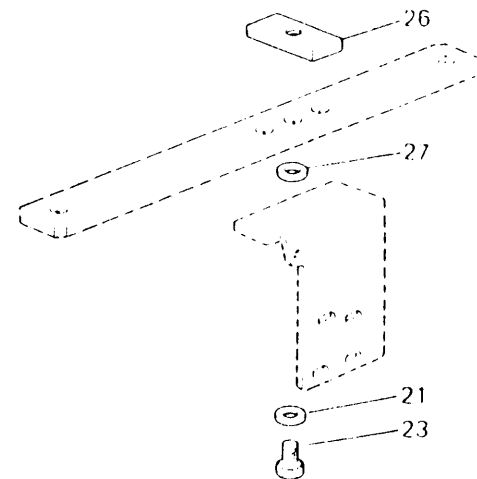
Fig. N.	Part. N. Piese N.	Qt.
1	926290-5-00	1
2	924864-4-10	1
3	733505-2-00	2
4	924870-0-10	2
5	924863-0-10	1
6	924866-2-10	1
7	720464-2-00	1
8	920105-0-10	1
9	920113-0-10	1
10	926295-2-00	1
11	943441-0-00	1
12	926292-0-00	1
13	924860-0-10	1
14	700207-0-00	2
15	924868-0-10	1
16	746203-4-00	1
17	703008-0-00	1
18	740035-0-00	1
19	722143-2-00	2
20	733106-2-00	1
21	704232-2-00	3
22	923326-0-10	1
23	720525-2-00	2
24	901265-0-00	2
25	733008-2-00	4
26	920909-0-00	1
27	704346-2-00	1



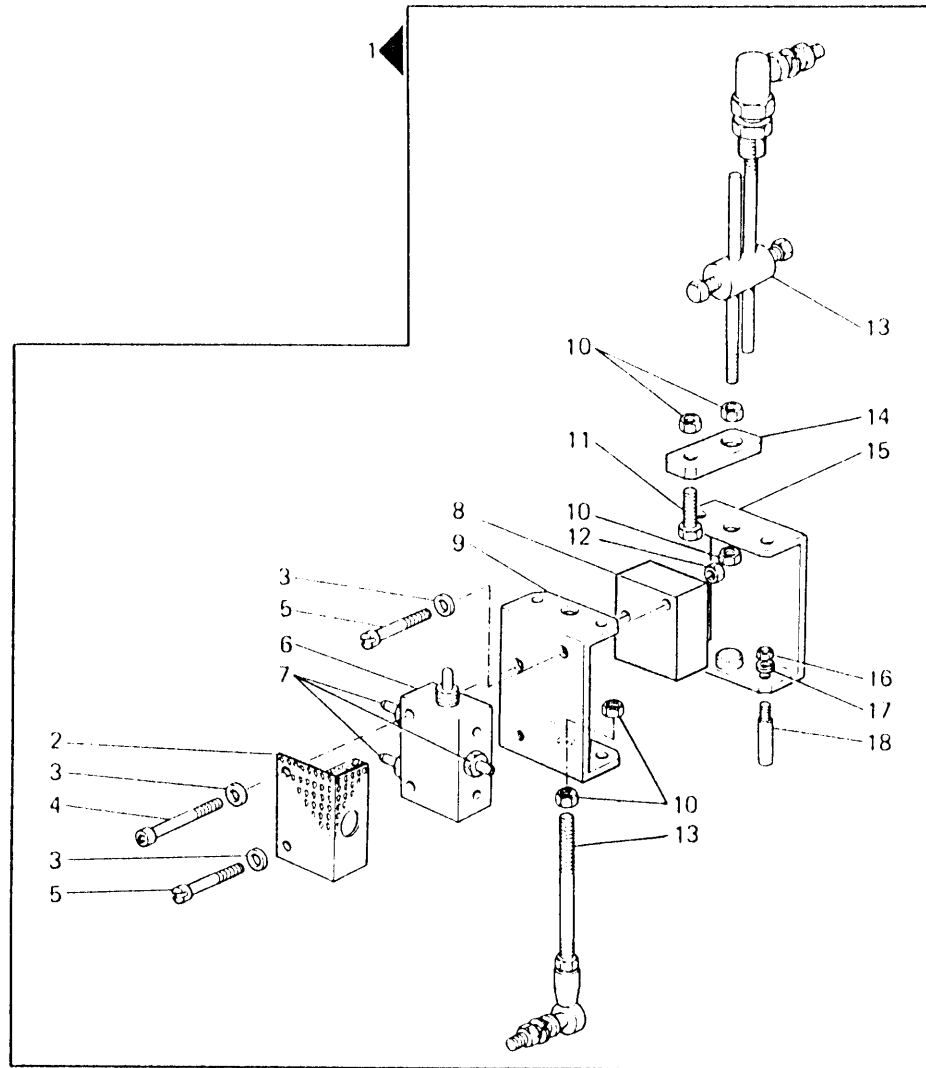
BANCALE A' COLONNA
COLUMN STAND
BATI A COLONNE
SAEULENGESTELL
BANCADA A COLUMNA



BANCALE REGOLABILE
ADJUSTABLE STAND
BATI REGLABLE
VERSTELLBARES GESTELL
BANCADA AJUSTABLE



146-30

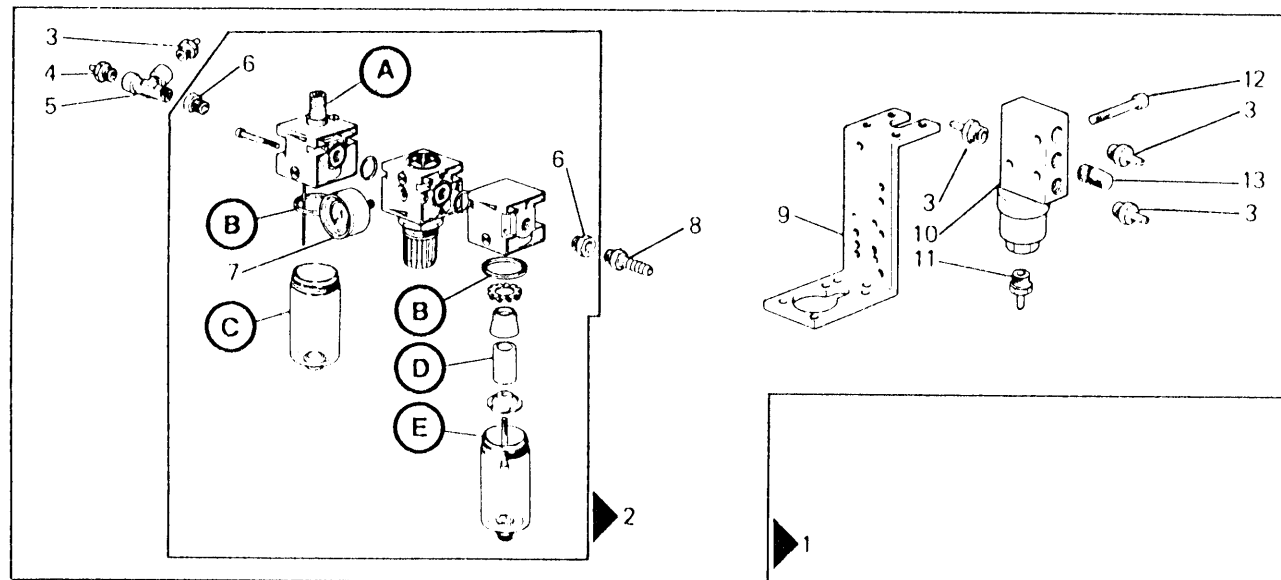


Rim® TAV. 4

Fig. N.	Part. N. Piece N.	Qt.
1	926440-4-01	1
2	929242-0-00	1
3	704306-2-00	3
4	722521-2-00	1
5	722123-2-00	2
6	928818-4-00	1
7	926303-0-00	3
8	926441-0-00	1
9	922373-0-00	1
10	746204-2-00	5
11	720504-2-00	1
12	733505-2-00	2
13	922366-0-00	1
14	929239-0-00	1
15	922370-2-00	1
16	926729-0-00	4
17	703203-0-00	4
18	922374-0-00	4

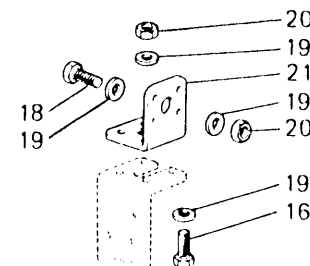
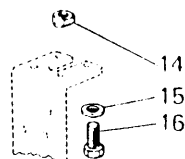
Fig. N.	Part. N. / Piece N.	Qt.
1	926300-5-00	1
2	925772-4-10	1
3	924870-0-10	4
4	926303-0-00	1
5	926305-0-00	1
6	943202-0-00	2
7	922846-4-00	1
8	923804-0-00	1
9	925557-0-00	1
10	926301-0-00	1
11	926304-0-00	1
12	722143-2-00	2
13	923851-0-10	1
14	902272-0-00	1
15	704011-4-00	1
16	720485-2-00	2
17	920258-0-10	6
18	720525-2-00	1
19	704329-2-00	4
20	733006-2-00	2
21	925513-0-00	1

	(A)	(B)	(C)	(D)	(E)
METALWORK COLORE ARANCIO ORANGE COLOUR COLEUR ORANGE ORANGEFARBE COLOR NARANJA	924245 4 00	924233 0 00	924244 4 00	924238 0 00	924239 4 00
STAMPOTECNICA COLORE NERO BLACK COLOUR COLEUR NOIRE SCHWARZFARBE COLOR NEGRO	925199 4 00	701133 0 00	925198 4 00	925196 0 00	925197 4 00



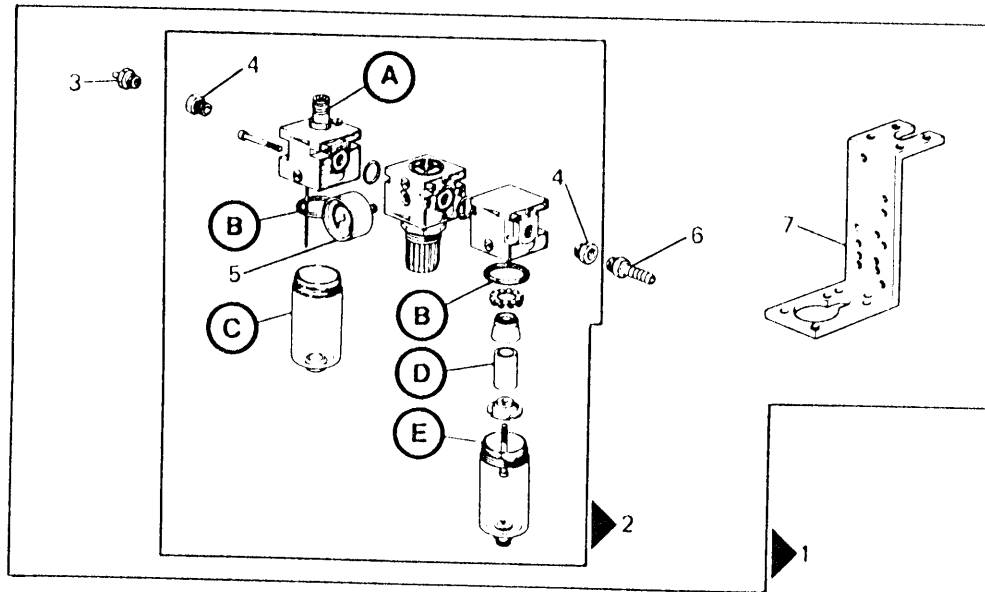
BANCHE REGOLABILE
ADJUSTABLE STAND
BATEI REGLABLE
VERSTELLBARES GESTELL
BANCADA AJUSTABLE

BANCHE A COLONNA
COLUMN STAND
BATEI A COLONNE
SAEULENGESTELL
BANCADA A COLUMNA



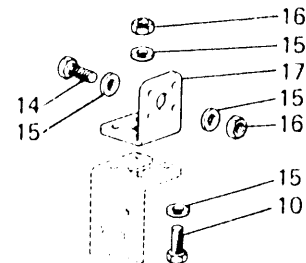
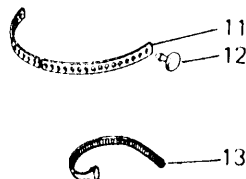
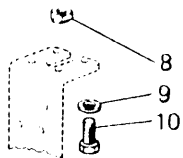
146-30

	(A)	(B)	(C)	(D)	(E)
METALWORK COLORE ARANCIO ORANGE COLOUR COLEUR ORANGE ORANGEFARBE COLOR NARANJA	924245-4-00	924233-0-00	924244-4-00	924238-0-00	924239-4-00
STAMPOTECNICA COLORE NERO BLACK COLOUR COLEUR NOIRE SCHWARZFARBE COLOR NEGRO	925199-4-00	701133-0-00	925198-4-00	925196-0-00	925197-4-00



BANCALE REGOLABILE
ADJUSTABLE STAND
BATI REGLABLE
VERSTELLBARES GESTELL
BANCADA AJUSTABLE

BANCALE A COLONNA
COLUMN STAND
BATI A COLONNE
SAEULENGESTELL
BANCADA A COLUMNA



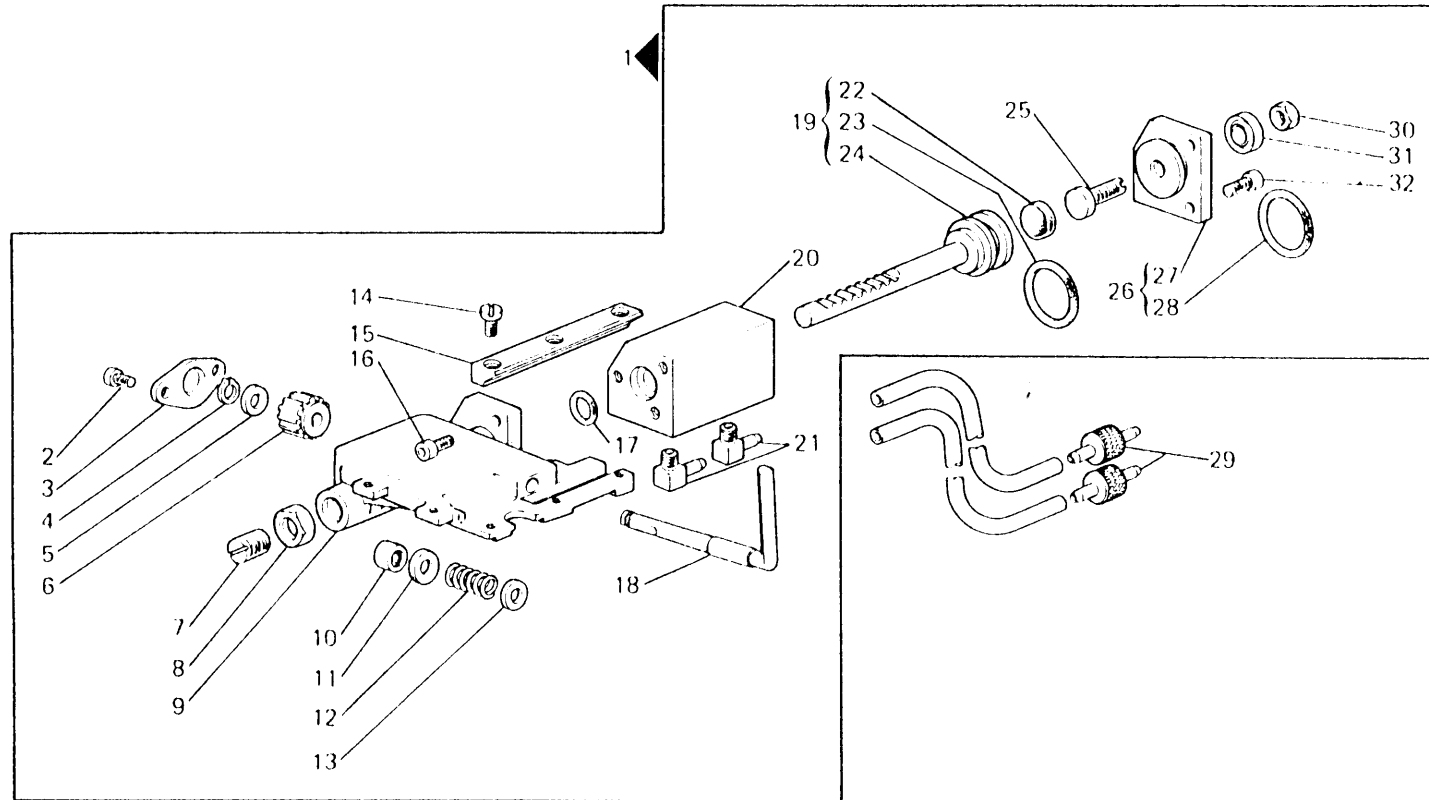
Rim[®] TAV. 6

Fig. N.	Part. N. Piece N.	Qt.
1	926448-4-10	1
2	925772-4-10	1
3	926303-0-00	1
4	943202-0-00	2
5	922846-4-00	1
6	923804-0-00	1
7	925557-0-00	1
8	902272-0-00	1
9	704011-4-00	1
10	720485-2-00	2
11	990441-0-10	2
12	990442-0-10	2
13	920258-0-10	4
14	720525-2-00	1
15	704329-2-00	4
16	733006-2-00	2
17	925513-0-00	1

Rim[®] TAV. 7

Fig. N.	Part. N. Piece N.	Qt.
1	926400-4-01	1
2	741445-2-00	2
3	926411-0-00	1
4	700005-0-00	1
5	703802-0-00	1
6	926415-0-10	1
7	926425-0-00	1
8	746222-2-00	1
9	926401-0-01	1
10	926444-0-10	1
11	926392-0-00	1
12	926273-0-01	1
13	704309-4-00	1
14	723243-5-00	3
15	926406-0-00	1
16	722440-2-00	3
17	701007-0-00	1
18	926405-0-00	1
19	926404-4-10	1
20	926402-0-00	1
21	926409-0-01	2
22	926412-0-00	1
23	701022-0-00	1
24	926403-0-10	1
25	926424-0-00	1
26	926408-4-00	1
27	926407-0-00	1
28	701029-0-00	1
29	926449-0-00	2
30	746408-2-00	1
31	926427-0-00	1
32	722410-2-00	3

146-10
146-30



Rimoldi Necchi s.r.l.

Via Montebello, 33 - 20020 OLCELLA di Busto Garolfo (MI)
Tel. (0331) 563.111 - Telex 312243 - Telefax (0331) 563.564