

NELLA RICHIESTA DI PARTI DI RICAMBIO, CITARE SEMPRE: IL SIMBOLO DEL PARTICOLARE; IL MODELLO DELLA MACCHINA ED
IL TIPO DI TESTA CUCITRICE

GCT/E cm. 160

GCT/1E cm. 220

WHEN ORDERING SPARE PARTS ALWAYS STATE: THE SYMBOL OF THE PART IN QUESTION; THE MACHINE MODEL AND THE
SEWING MACHINE TYPE

GCT/E cm. 160

GCT/1E cm. 220

DANS LA COMMANDE DES PIÈCES DÉTACHÉES, INDIQUER TOUJOURS: LE SYMBOLE DE LA PIÈCE; LE MODÈLE DE LA MACHINE
ET LE TYPE DE LA TÊTE À COUDRE

GCT/E cm. 160

GCT/1E cm. 220

2a EDIZIONE-EDITION 1/91 **n. 534**

1a EDIZIONE-EDITION 5/73

**MACCHINE
MACHINES
MACHINES
MASCHINEN
MAQUINAS**

INDEX

INDEX

SIMB.	TAV.	SIMB.	TAV.	SIMB.	TAV.	SIMB.	TAV.	SIMB.	TAV.	SIMB.	TAV.	SIMB.	TAV.
923595-0-00	19	RPS-966M/0045	8-12	RPS-966M/113	5	RPS-966M/165	8	RPS-966M/1F	5	RPS-966M/238	13	RPS-966M/270	16
923644-0-00	19	RPS-966M/0046	16	RPS-966M/114	5	RPS-966M/166	8	RPS-966M/1G	5-18	RPS-966M/239	13	RPS-966M/271	16
RPS-966M/0010	2	RPS-966M/0047	16	RPS-966M/115	5	RPS-966M/167	8	RPS-966M/1H	7-11	RPS-966M/24	2	RPS-966M/271A	18
RPS-966M/0011	2-5-10-18	RPS-966M/0048	19	RPS-966M/116	5	RPS-966M/168	8	RPS-966M/1L	11	RPS-966M/240	13	RPS-966M/272	16
RPS-966M/0012	2	RPS-966M/0049	18	RPS-966M/117	5	RPS-966M/168A	8	RPS-966M/2	1	RPS-966M/241	13	RPS-966M/274A	18
RPS-966M/0013	2-3	RPS-966M/0050	18	RPS-966M/118	5	RPS-966M/169	8	RPS-966M/20	2	RPS-966M/242	13	RPS-966M/275	18
RPS-966M/0014	2-14	RPS-966M/0051	14-18	RPS-966M/119	5	RPS-966M/16A	2	RPS-966M/200	11	RPS-966M/243	13	RPS-966M/276	18
RPS-966M/0015	2-4-7-8-14-19	RPS-966M/0052	14	RPS-966M/120	5	RPS-966M/17	2-3-16	RPS-966M/200A	11	RPS-966M/244A	13	RPS-966M/277	18
RPS-966M/0016	2-11-14-16	RPS-966M/0056	14	RPS-966M/121	5	RPS-966M/170	8	RPS-966M/200B	11	RPS-966M/245	13	RPS-966M/278	18
RPS-966M/0017	2-4-5-12-13-18	RPS-966M/0057	14	RPS-966M/122	5	RPS-966M/171	8	RPS-966M/200C	11	RPS-966M/246	13	RPS-966M/279	18
RPS-966M/0018	2-7-19	RPS-966M/0058	14	RPS-966M/123	5	RPS-966M/172	8	RPS-966M/201	11	RPS-966M/247	13	RPS-966M/279A	18
RPS-966M/0019	2	RPS-966M/0059	8	RPS-966M/124	5	RPS-966M/173	8	RPS-966M/202	11	RPS-966M/248	13	RPS-966M/279B	18
RPS-966M/0021	3-11	RPS-966M/006	3-5-8-9-13	RPS-966M/125	5	RPS-966M/174A	8	RPS-966M/203	11	RPS-966M/249	13	RPS-966M/279C	18
RPS-966M/0022	2-4-9-10	RPS-966M/007	8	RPS-966M/126	5	RPS-966M/175	9	RPS-966M/204	11	RPS-966M/25	2	RPS-966M/279D	18
RPS-966M/0023	3	RPS-966M/008	3-10-14-16	RPS-966M/127	6	RPS-966M/176	9	RPS-966M/205	11	RPS-966M/250	14	RPS-966M/279E	18
RPS-966M/0024	3-11-16	RPS-966M/009	2-3-10-11-16	RPS-966M/128	6	RPS-966M/177	9	RPS-966M/206	11	RPS-966M/251	14	RPS-966M/28	2
RPS-966M/0025	3-4-14	RPS-966M/01	3-4-5-11-14	RPS-966M/129	6	RPS-966M/178	10	RPS-966M/207	11	RPS-966M/252	14	RPS-966M/280	18
RPS-966M/0026	3	RPS-966M/02	2-7-8-14-16	RPS-966M/13	2	RPS-966M/179	10	RPS-966M/208	11	RPS-966M/253	14	RPS-966M/281	18
RPS-966M/0027	3-4	RPS-966M/03	8-9-11-12	RPS-966M/130A	6	RPS-966M/18	2	RPS-966M/209	11	RPS-966M/254	14	RPS-966M/282	18
RPS-966M/0028	4	RPS-966M/04	2-3-9-11-14	RPS-966M/134	7	RPS-966M/180	10	RPS-966M/21	2	RPS-966M/255	14	RPS-966M/283	18
RPS-966M/0030	4-7	RPS-966M/05	4-10-11-14	RPS-966M/136	7	RPS-966M/181	10	RPS-966M/210	11	RPS-966M/256	14	RPS-966M/284	18
RPS-966M/0031	3-13	RPS-966M/06	5	RPS-966M/14	2-3-16	RPS-966M/182	10	RPS-966M/211	11	RPS-966M/257	14	RPS-966M/285	18
RPS-966M/0032	3-11-18	RPS-966M/07	2-11-19	RPS-966M/144	19	RPS-966M/183	10	RPS-966M/212	11	RPS-966M/258	14	RPS-966M/285A	18
RPS-966M/0033	5	RPS-966M/08	19	RPS-966M/148	7	RPS-966M/184	10	RPS-966M/213	11	RPS-966M/259	14	RPS-966M/286	18
RPS-966M/0035	9-10	RPS-966M/1	1	RPS-966M/149	7	RPS-966M/185	10	RPS-966M/214	11	RPS-966M/26	2	RPS-966M/287	18
RPS-966M/0036	9-10-14-16	RPS-966M/100	4	RPS-966M/15	2	RPS-966M/186	10	RPS-966M/215	11	RPS-966M/260	14	RPS-966M/288	18
RPS-966M/0037	19	RPS-966M/101	5	RPS-966M/150	7	RPS-966M/187	10	RPS-966M/216	11	RPS-966M/260A	15	RPS-966M/289	18
RPS-966M/0038	10-14	RPS-966M/102	5	RPS-966M/151	7	RPS-966M/188	10	RPS-966M/217	11	RPS-966M/260B	15	RPS-966M/28A	2
RPS-966M/0039	10-11-14-19	RPS-966M/103	5	RPS-966M/152	7	RPS-966M/189	10	RPS-966M/218	11	RPS-966M/260C	15	RPS-966M/29	2
RPS-966M/004	19	RPS-966M/104	5	RPS-966M/152A	7	RPS-966M/19	2	RPS-966M/219	11	RPS-966M/260D	15	RPS-966M/290	18
RPS-966M/0040	11-14	RPS-966M/105	5	RPS-966M/152B	7	RPS-966M/190	10	RPS-966M/22	2	RPS-966M/261	14	RPS-966M/291	18
RPS-966M/0041	11	RPS-966M/106	5	RPS-966M/152C	7	RPS-966M/191	10-11	RPS-966M/220	11	RPS-966M/262	14	RPS-966M/292	18
RPS-966M/0042	8-11	RPS-966M/108	5-7	RPS-966M/153	7	RPS-966M/192	10	RPS-966M/221	11	RPS-966M/263	14	RPS-966M/293	18
RPS-966M/0043	11	RPS-966M/109	5	RPS-966M/154	7	RPS-966M/193	10	RPS-966M/221A	11	RPS-966M/264	14	RPS-966M/294	18
		RPS-966M/110	5	RPS-966M/155	7	RPS-966M/194	10-11	RPS-966M/222	11	RPS-966M/265	14	RPS-966M/295	18
		RPS-966M/111	5	RPS-966M/156	8	RPS-966M/195	10	RPS-966M/223	11	RPS-966M/266	14	RPS-966M/296	19
		RPS-966M/112	5	RPS-966M/157	8	RPS-966M/196	10	RPS-966M/225	12	RPS-966M/267	14	RPS-966M/297	19
				RPS-966M/158	8	RPS-966M/197	10	RPS-966M/226	12	RPS-966M/268	14	RPS-966M/297A	19
				RPS-966M/159	8	RPS-966M/198	10	RPS-966M/227	12	RPS-966M/269	16	RPS-966M/298	19
				RPS-966M/16	2	RPS-966M/199	10	RPS-966M/228	12	RPS-966M/269A	17	RPS-966M/299	19
				RPS-966M/160	8	RPS-966M/1A	2	RPS-966M/23	2	RPS-966M/269B	17	RPS-966M/3	1
				RPS-966M/161	8	RPS-966M/1B	3-5-18	RPS-966M/230A	12	RPS-966M/269C	17	RPS-966M/30	2
				RPS-966M/162	8	RPS-966M/1C	3	RPS-966M/231	12	RPS-966M/269D	17	RPS-966M/300	19
				RPS-966M/163	8	RPS-966M/1D	3	RPS-966M/235	12	RPS-966M/269E	17	RPS-966M/301	19
				RPS-966M/164	8	RPS-966M/1E	4-10	RPS-966M/237	13	RPS-966M/27	2	RPS-966M/302	19

SIMB.	TAV.	SIMB.	TAV.	SIMB.	TAV.	SIMB.	TAV.	SIMB.	TAV.	SIMB.	TAV.	SIMB.	TAV.
RPS-966M/303	19	RPS-966M/42	2	RPS-966M/516A	26	RPS-966M/604	8	RPS-966M/91	4				
RPS-966M/304	19	RPS-966M/420	24	RPS-966M/517	26	RPS-966M/604A	8	RPS-966M/92	4				
RPS-966M/305	19	RPS-966M/421	24	RPS-966M/517A	26	RPS-966M/605	22	RPS-966M/93	4				
RPS-966M/306	19	RPS-966M/422	24	RPS-966M/518	26	RPS-966M/606	22	RPS-966M/94	4				
RPS-966M/307	19	RPS-966M/423	24	RPS-966M/519	26	RPS-966M/607	22	RPS-966M/95	4				
RPS-966M/308	19	RPS-966M/424	24	RPS-966M/520	26	RPS-966M/607A	22	RPS-966M/95A	4				
RPS-966M/309	19	RPS-966M/425	24	RPS-966M/521	26	RPS-966M/608	22	RPS-966M/96	4				
RPS-966M/31	2	RPS-966M/426	24	RPS-966M/522	26	RPS-966M/608A	22	RPS-966M/97	4				
RPS-966M/311	19	RPS-966M/427	24	RPS-966M/523	26	RPS-966M/608B	22	RPS-966M/98	4				
RPS-966M/312	19	RPS-966M/428	24	RPS-966M/524	26	RPS-966M/61	3	RPS-966M/99	4				
RPS-966M/313	19	RPS-966M/429	21	RPS-966M/525	26	RPS-966M/610	4						
RPS-966M/314	19	RPS-966M/43	2	RPS-966M/526	26	RPS-966M/610A	4						
RPS-966M/32	2	RPS-966M/430	21	RPS-966M/527	26	RPS-966M/610B	4						
RPS-966M/322	19	RPS-966M/431	21	RPS-966M/528	25-26	RPS-966M/62	3-13						
RPS-966M/329	20	RPS-966M/432	21	RPS-966M/529	25-26	RPS-966M/63	3						
RPS-966M/329A	20	RPS-966M/433	21	RPS-966M/53	3-18	RPS-966M/64	3						
RPS-966M/329B	20	RPS-966M/434	21	RPS-966M/530	27	RPS-966M/65	3						
RPS-966M/32A	2	RPS-966M/435	21	RPS-966M/531	27	RPS-966M/66	3						
RPS-966M/33	2	RPS-966M/436	21	RPS-966M/532	27	RPS-966M/67	3						
RPS-966M/331	1	RPS-966M/437	21	RPS-966M/533	27	RPS-966M/68	3						
RPS-966M/35	2	RPS-966M/438	21	RPS-966M/534	27	RPS-966M/69	3						
RPS-966M/357	23	RPS-966M/439	21	RPS-966M/535	27	RPS-966M/70	3						
RPS-966M/39	2	RPS-966M/44	2-7	RPS-966M/536	27	RPS-966M/71	3						
RPS-966M/40	2	RPS-966M/440	4	RPS-966M/537	27	RPS-966M/72	3						
RPS-966M/400	23	RPS-966M/441	4	RPS-966M/538	27	RPS-966M/73	3						
RPS-966M/401	23	RPS-966M/442	6	RPS-966M/539	27	RPS-966M/74	3						
RPS-966M/402	23	RPS-966M/443	19	RPS-966M/54	3	RPS-966M/75	3						
RPS-966M/403	23	RPS-966M/444	19	RPS-966M/540	25-26	RPS-966M/76	3						
RPS-966M/404	23	RPS-966M/445	19	RPS-966M/541	25-26	RPS-966M/77	3						
RPS-966M/405	23	RPS-966M/446	19	RPS-966M/542	26	RPS-966M/78	4						
RPS-966M/406	23	RPS-966M/447	19	RPS-966M/543	26	RPS-966M/79	4						
RPS-966M/407	23	RPS-966M/45	2	RPS-966M/544	26	RPS-966M/80	4						
RPS-966M/408	23	RPS-966M/47	3	RPS-966M/545	27	RPS-966M/81	4-9-16						
RPS-966M/409	23	RPS-966M/48	3	RPS-966M/546	27	RPS-966M/82	4						
RPS-966M/41	2	RPS-966M/49	3	RPS-966M/55	3	RPS-966M/83	4						
RPS-966M/410	23	RPS-966M/50	3	RPS-966M/56	3	RPS-966M/84	4						
RPS-966M/411	23	RPS-966M/51	3	RPS-966M/57	3	RPS-966M/85	4						
RPS-966M/412	23	RPS-966M/510	26	RPS-966M/58	3	RPS-966M/86	4						
RPS-966M/413	23	RPS-966M/510A	26	RPS-966M/59	3	RPS-966M/87	4						
RPS-966M/414	24	RPS-966M/511	26	RPS-966M/60	3	RPS-966M/88	4						
RPS-966M/415	24	RPS-966M/512	26	RPS-966M/600	6	RPS-966M/89	4						
RPS-966M/416	24	RPS-966M/513	26	RPS-966M/600A	6	RPS-966M/9	8-9						
RPS-966M/417	24	RPS-966M/514	26	RPS-966M/601	6	RPS-966M/90	4						
RPS-966M/418	24	RPS-966M/515	26	RPS-966M/602	6	RPS-966M/90A	4						
RPS-966M/419	24	RPS-966M/516	26	RPS-966M/603	6	RPS-966M/90B	4						

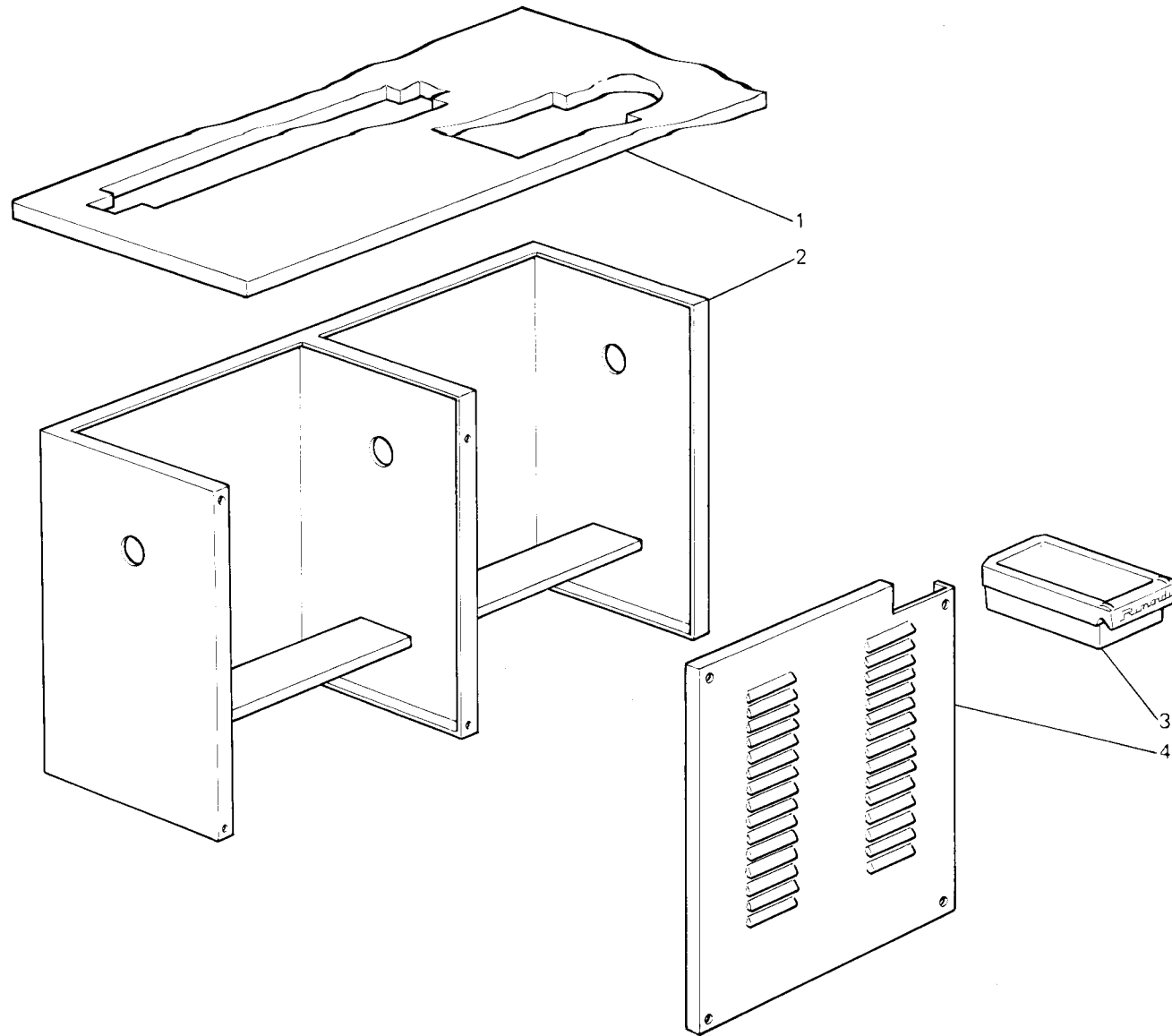


Fig. N.	Part. N. Pezzo N.	Qt.	DESCRIZIONE	DESCRIPTION
1	RPS-966M/3	1	tavola	table
2	RPS-966M/1	1	basamento	housing
3	RPS-966M/3	1	scatola	drawer
4	RPS-966M/2	1	carter protezione	protection cover

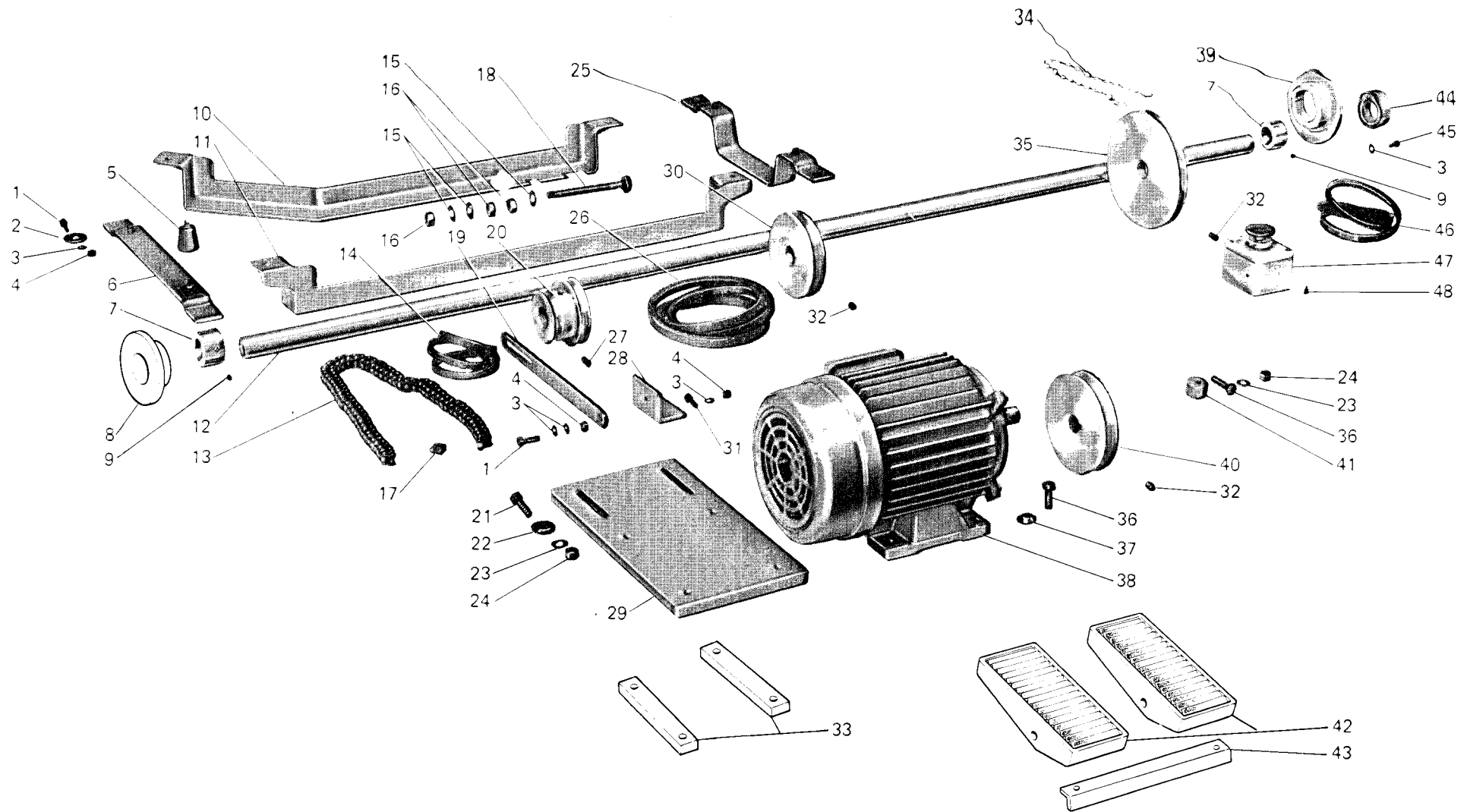


Fig. N.	Part. N. Piece N.	Qt.	DESCRIZIONE	DESCRIPTION
1	RPS-966M/0014	5	vite	screw
2	RPS-966M/44	4	rondella	washer
3	RPS-966M/02	20	rondella	washer
4	RPS-966M/0015	8	dado	nut
5	RPS-966M/43	4	ammortizzatore in gomma	rubber dumper
6	RPS-966M/41	1	supporto sinistro	left support
7	RPS-966M/27	2	anello di fermo	circlip
8	RPS-966M/28	1	supporto per albero	shaft support
9	RPS-966M/0017	4	vite	screw
10	RPS-966M/39	1	attacco posteriore	rear attaching
11	RPS-966M/40	1	attacco anteriore	front attaching
12	RPS-966M/20	1	albero	shaft
13	RPS-966M/23	1	catena	chain
14	RPS-966M/22	1	cinghia Z 25	belt
15	RPS-966M/07	12	rondella	washer
16	RPS-966M/0022	12	dado	nut
17	RPS-966M/24	1	maglia giunto	junction link
18	RPS-966M/45	4	tirante	tie-rod
19	RPS-966M/25	1	asta regolazione catena	chain adjusting rod
20	RPS-966M/21	1	puleggia	pulley
21	RPS-966M/0012	4	vite	screw
22	RPS-966M/17	4	rondella	washer
23	RPS-966M/04	8	rondella	washer
24	RPS-966M/009	8	dado	nut
25	RPS-966M/42	1	supporto destro	right support
26	RPS-966M/18	1	cinghia A 46	belt
27	RPS-966M/0013	2	vite	screw
28	RPS-966M/26	1	squadretta attacco	bracket
29	RPS-966M/16	1	piastra porta motore	motor support plate
30	RPS-966M/19	1	puleggia	pulley
31	RPS-966M/0016	1	vite	screw
32	RPS-966M/0011	5	vite	screw
33	RPS-966M/16A	2	blocchetto	block
34	RPS-966M/35	1	catenella	chain
35	RPS-966M/29	1	puleggia	pulley
36	RPS-966M/0010	8	vite	screw
37	RPS-966M/14	4	rondella	washer
38	RPS-966M/13	1	motore	motor
39	RPS-966M/28	2	supporto per albero	shaft support
40	RPS-966M/15	1	puleggia motore	pulley for motor
41	RPS-966M/33	4	distanziale	spacer
42	RPS-966M/32	2	pedalina alzapiedino	pedal
43	RPS-966M/32A	1	squadretta attacco	bracket
44	RPS-966M/1A	3	cuscinetto	bearing
45	RPS-966M/0018	9	vite	screw
46	RPS-966M/30	1	cinghia Z 34	belt
47	RPS-966M/31	1	pulsante	push-button
48	RPS-966M/0019	2	vite	screw

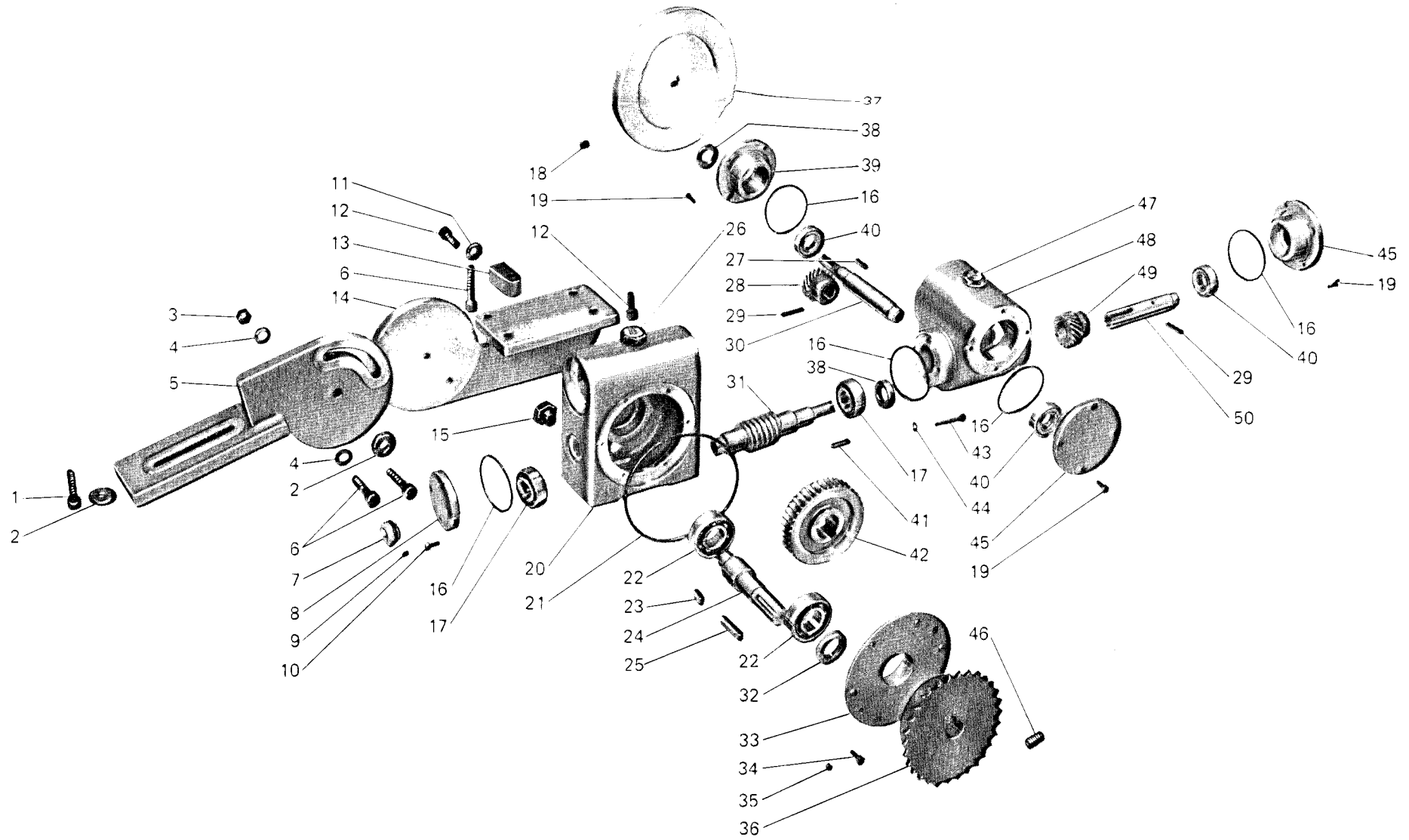


Fig. N.	Part. N. Pecce N.	Qt.	DESCRIZIONE	DESCRIPTION
1	RPS-966M/008	2	vite	screw
2	RPS-966M/17	3	rondella	washer
3	RPS-966M/000	1	dado	nut
4	RPS-966M/004	2	rondella	washer
5	RPS-966M/47	1	supporto	support
6	RPS-966M/0023	3	vite	screw
7	RPS-966M/53	1	indicatore livello olio	oil level indicator
8	RPS-966M/54	1	coperchio	cover
9	RPS-966M/0031	1	vite	screw
10	RPS-966M/0032	4	vite	screw
11	RPS-966M/14	1	rondella	washer
12	RPS-966M/0024	4	vite	screw
13	RPS-966M/49	1	blocchetto regolazione	adjusting block
14	RPS-966M/48	1	supporto registrabile	adjusting support
15	RPS-966M/52	1	tappo scarico olio	oil drain plug
16	RPS-966M/55	5	guarnizione	oil ring
17	RPS-966M/1D	2	cuscinetto reggispira	thrust bearing
18	RPS-966M/0027	1	vite	screw
19	RPS-966M/0021	12	vite	screw
20	RPS-966M/50	1	scatola riduttore	reduction box
21	RPS-966M/69	1	guarnizione	oil ring
22	RPS-966M/1C	2	cuscinetto	bearing
23	RPS-966M/66	1	chiavetta	key
24	RPS-966M/65	1	albero	shaft
25	RPS-966M/71	1	chiavetta	key
26	RPS-966M/51	1	tappo carico olio	oil filling plug
27	RPS-966M/77	1	chiavetta	key
28	RPS-966M/73	1	ingranaggio	gear
29	RPS-966M/62	2	spina	pin
30	RPS-966M/74	1	albero	shaft
31	RPS-966M/56	1	vite senza fine	worm screw
32	RPS-966M/68	1	anello di tenuta	oil ring
33	RPS-966M/70	1	coperchio	cover
34	RPS-966M/006	6	vite	screw
35	RPS-966M/0025	2	vite	screw
36	RPS-966M/72	1	pignone	pinion
37	RPS-966M/76	1	puleggia	pulley
38	RPS-966M/58	2	anello di tenuta	oil ring
39	RPS-966M/75	1	coperchio	cover
40	RPS-966M/1B	3	cuscinetto	bearing
41	RPS-966M/57	1	chiavetta	key
42	RPS-966M/67	1	corona per vite senza fine	crown for worm
43	RPS-966M/0026	4	vite	screw
44	RPS-966M/01	4	rondella	washer
45	RPS-966M/63	2	coperchio	cover
46	RPS-966M/0013	1	vite	screw
47	RPS-966M/64	1	spia circolazione olio	oil window
48	RPS-966M/59	1	scatola rinvio riduttore	transmission box
49	RPS-966M/61	1	ingranaggio	gear
50	RPS-966M/60	1	albero	shaft

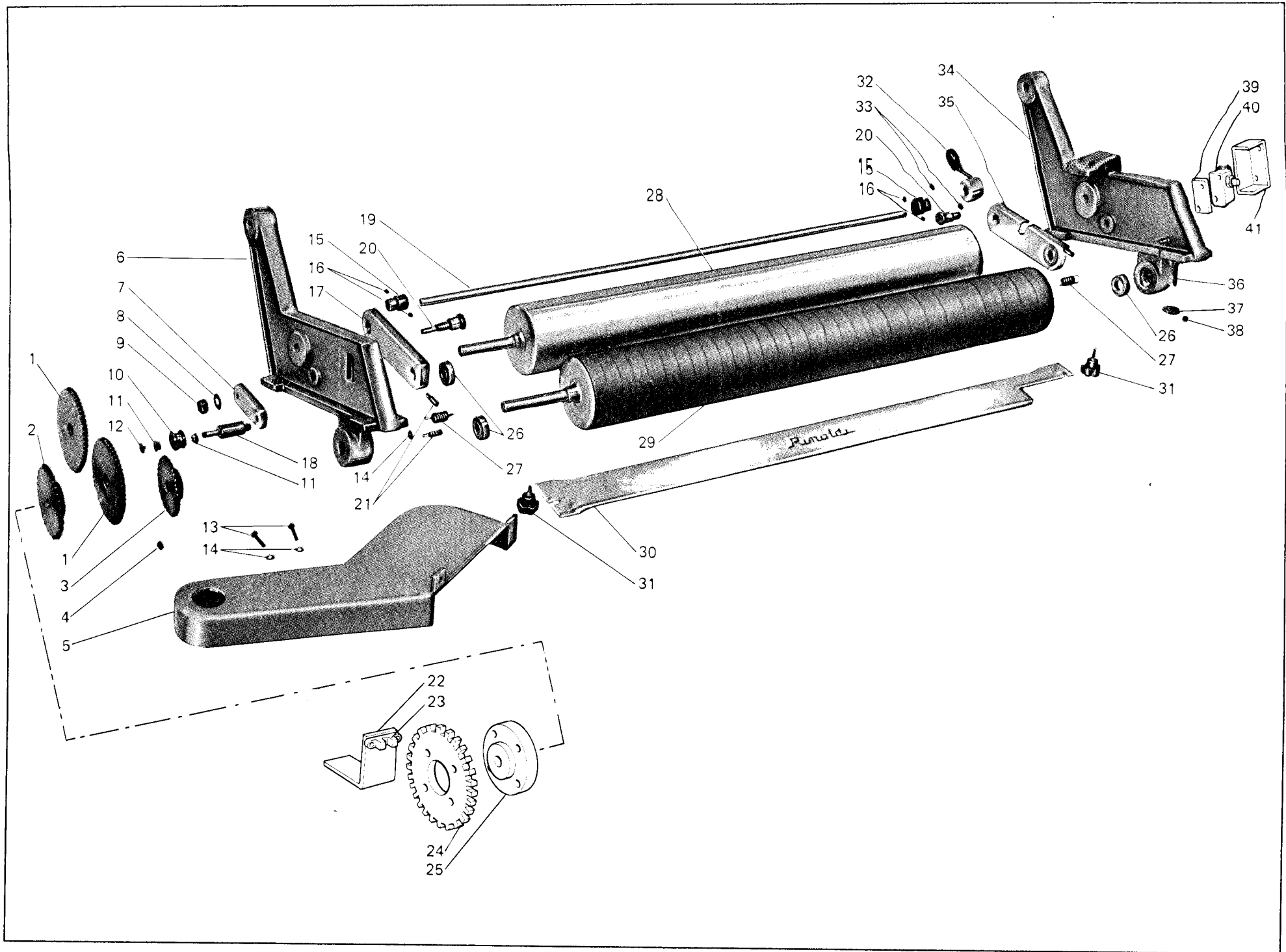


Fig. N.	Part. N. Piece N.	Qt.	DESCRIZIONE	DESCRIPTION
1	RPS-966M/83	2	ingranaggio	gear
2	RPS-966M/82	1	pignone	pinion
3	RPS-966M/84	1	pignone	pinion
4	RPS-966M/0027	4	vite	screw
5	RPS-966M/78	1	carter protezione	protection cover
6	RPS-966M/79	1	supporto sinistro	left support
7	RPS-966M/85	1	leva tendicatena	chain stretcher lever
8	RPS-966M/85	1	rondella	washer
9	RPS-966M/0022	1	dado	nut
10	RPS-966M/88	1	rullo	roller
11	RPS-966M/87	2	bronzina	bush
12	RPS-966M/89	1	vite di fermo	stop screw
13	RPS-966M/0028	2	vite da legno	screw
14	RPS-966M/01	4	rondella	washer
15	RPS-966M/99	2	bussola eccentrica	cam bush
16	RPS-966M/0025	4	vite	screw
17	RPS-966M/95	1	piastra supporto rullo	plate for roller support
18	RPS-966M/86	1	perno	pin
19	RPS-966M/94	1	asta	rod
20	RPS-966M/98	2	perno	pin
21	RPS-966M/96	4	perno attacco molla	spring pin
22	RPS-966M/610B	1	squadretta	bracket
23	RPS-966M/440	1	sensore	sensory
24	RPS-966M/610A	1	disco	disc
25	RPS-966M/610	1	flangia	flange
26	RPS-966M/1E	4	cuscinetto	bearing
27	RPS-966M/97	2	molla	spring
28	RPS-966M/93	1	cilindro trasporto superiore	cylinder for upper transport
29	RPS-966M/92	1	cilindro trasporto inferiore	cylinder for lower transport
30	RPS-966M/90	1	piastra di protezione	protection plate
31	RPS-966M/91	2	volantino	handwheel
32	RPS-966M/100	1	leva	lever
33	RPS-966M/0017	2	vite	screw
34	RPS-966M/80	1	supporto destro	right support
35	RPS-966M/95A	1	piastra supporto rullo	plate for roller support
36	RPS-966M/0030	8	vite	screw
37	RPS-966M/81	8	rondella	washer
38	RPS-966M/0015	8	dado	nut
39	RPS-966M/90A	1	isolante	insulating
40	RPS-966M/441	1	microinterruttore	microswitch
41	RPS-966M/90B	1	protezione	protection

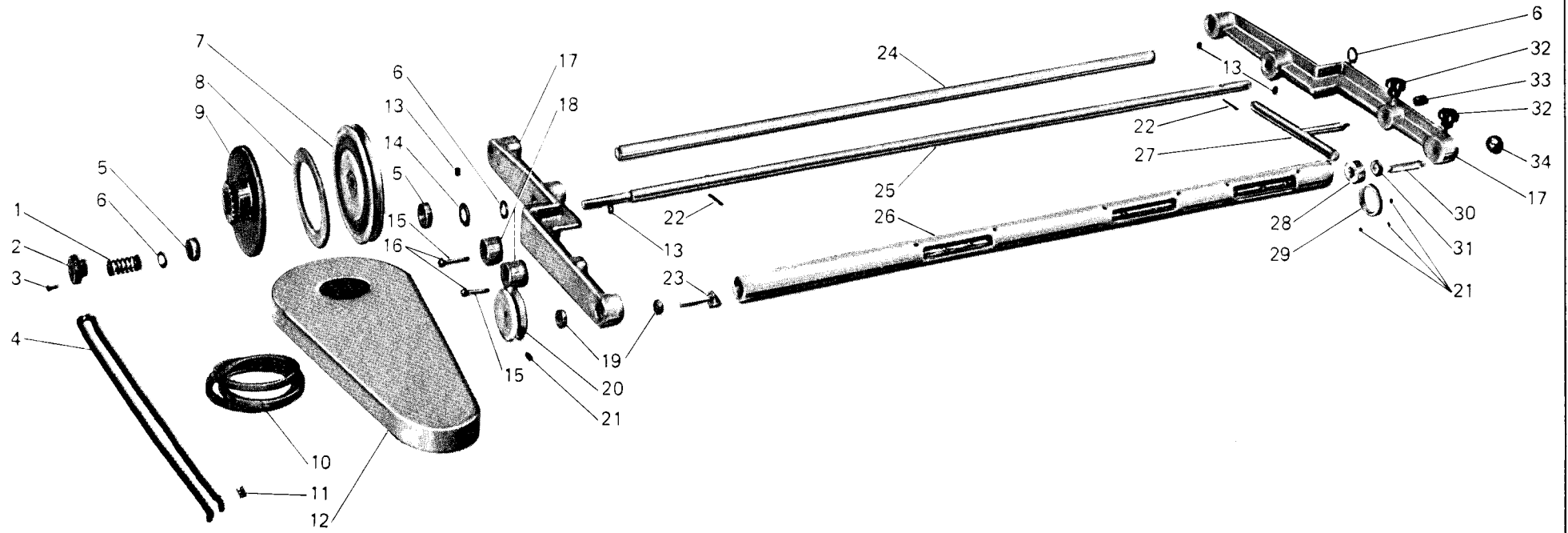


Fig. N.	Part. N. Pezza N.	Qt.	DESCRIZIONE	DESCRIPTION
1	RPS-966M/119	1	molla	spring
2	RPS-966M/120	1	registro frizione	clutch adjusting screw
3	RPS-966M/003	1	vite	screw
4	RPS-966M/122	1	catena	chain
5	RPS-966M/1B	2	cuscinetto	bearing
6	RPS-966M/06	3	rondella	washer
7	RPS-966M/116	1	puleggia di frizione	clutch pulley
8	RPS-966M/117	1	anello di frizione	clutch ring
9	RPS-966M/118	1	pignone con disco	pinion with disc
10	RPS-966M/124	1	cinghia Z 35	belt
11	RPS-966M/123	1	maglia di giunzione	junction link
12	RPS-966M/125	1	carter di protezione	protection cover
13	RPS-966M/0011	4	vite	screw
14	RPS-966M/115	2	rondella	washer
15	RPS-966M/0033	2	vite	screw
16	RPS-966M/01	2	rondella	washer
17	RPS-966M/109	2	braccio destro	right arm
18	RPS-966M/126	2	distanziale	spacer
19	RPS-966M/1G	2	cuscinetto	bearing
20	RPS-966M/103	1	puleggia	pulley
21	RPS-966M/0017	4	vite	screw
22	RPS-966M/113	2	spina	pin
23	RPS-966M/102	1	alberino	shaft
24	RPS-966M/121	1	asta	rod
25	RPS-966M/114	1	asta	rod
26	RPS-966M/101	1	albero porta pezza	shaft for piece
27	RPS-966M/112	1	ferma pezza	piece stop
28	RPS-966M/105	1	bussola per cuscinetto	bush
29	RPS-966M/104	1	anello di fermo	stop ring
30	RPS-966M/106	1	alberino	shaft
31	RPS-966M/1F	1	cuscinetto	bearing
32	RPS-966M/110	2	volantino di bloccaggio	locking handwheel
33	RPS-966M/111	1	impugnatura	handle
34	RPS-966M/108	1	impugnatura a sfera	spherical handle

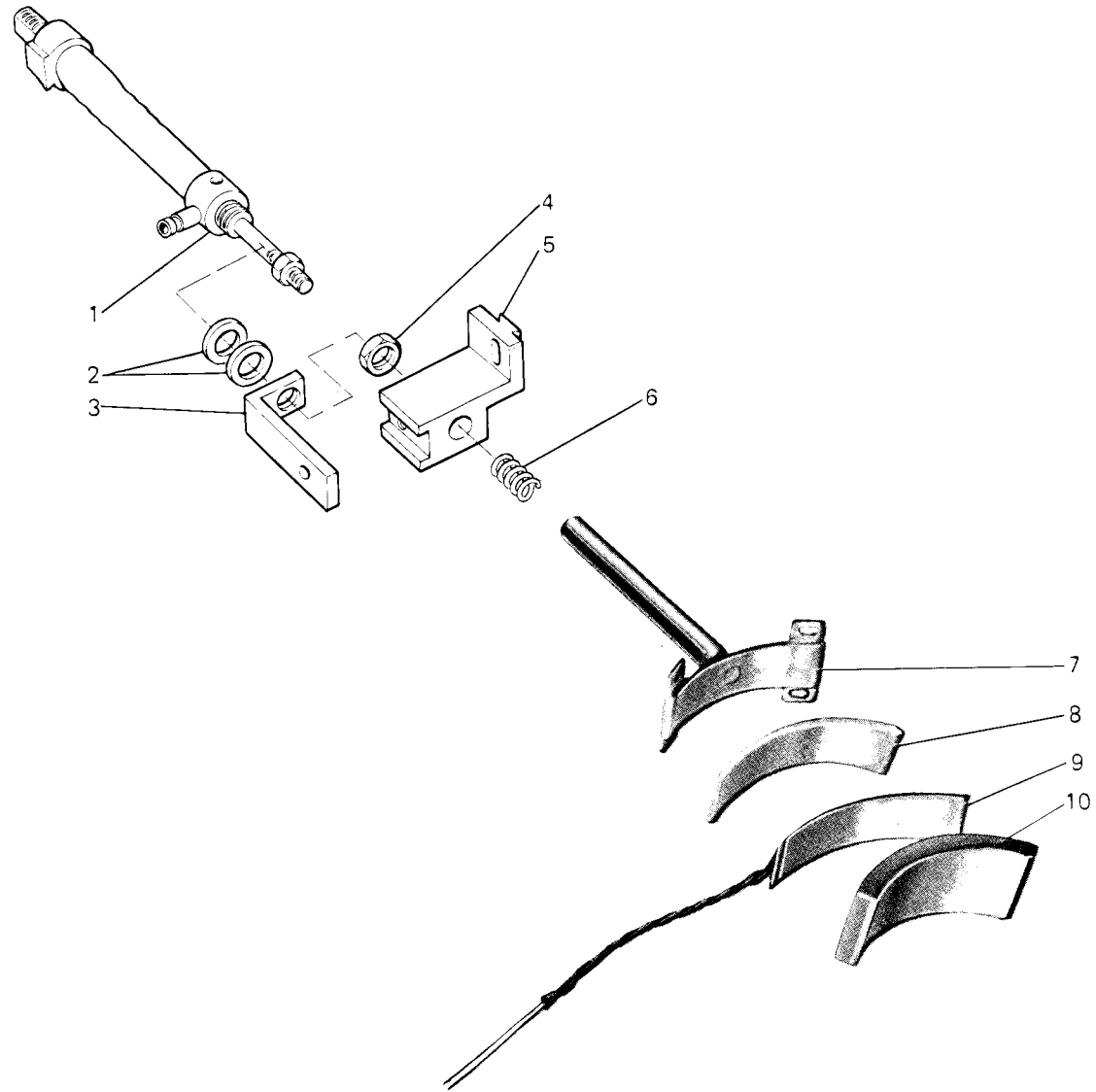


Fig. N.	Part. N. Piece N.	Qt.	DESCRIZIONE	DESCRIPTION
1	RPS-966M/442	1	cilindro	cylinder
2	RPS-966M/603	2	rondella	washer
3	RPS-966M/602	1	squadretta	bracket
4	RPS-966M/601	1	dado	nut
5	RPS-966M/600	1	supporto	support
6	RPS-966M/600A	1	molla	spring
7	RPS-966M/130A	1	supporto piastra stiro	drawing plate support
8	RPS-966M/129	1	striscia isolante di amianto	asbestos strip
9	RPS-966M/128	1	resistenza elettrica	resistance
10	RPS-966M/127	1	piastra stiro	drawing plate

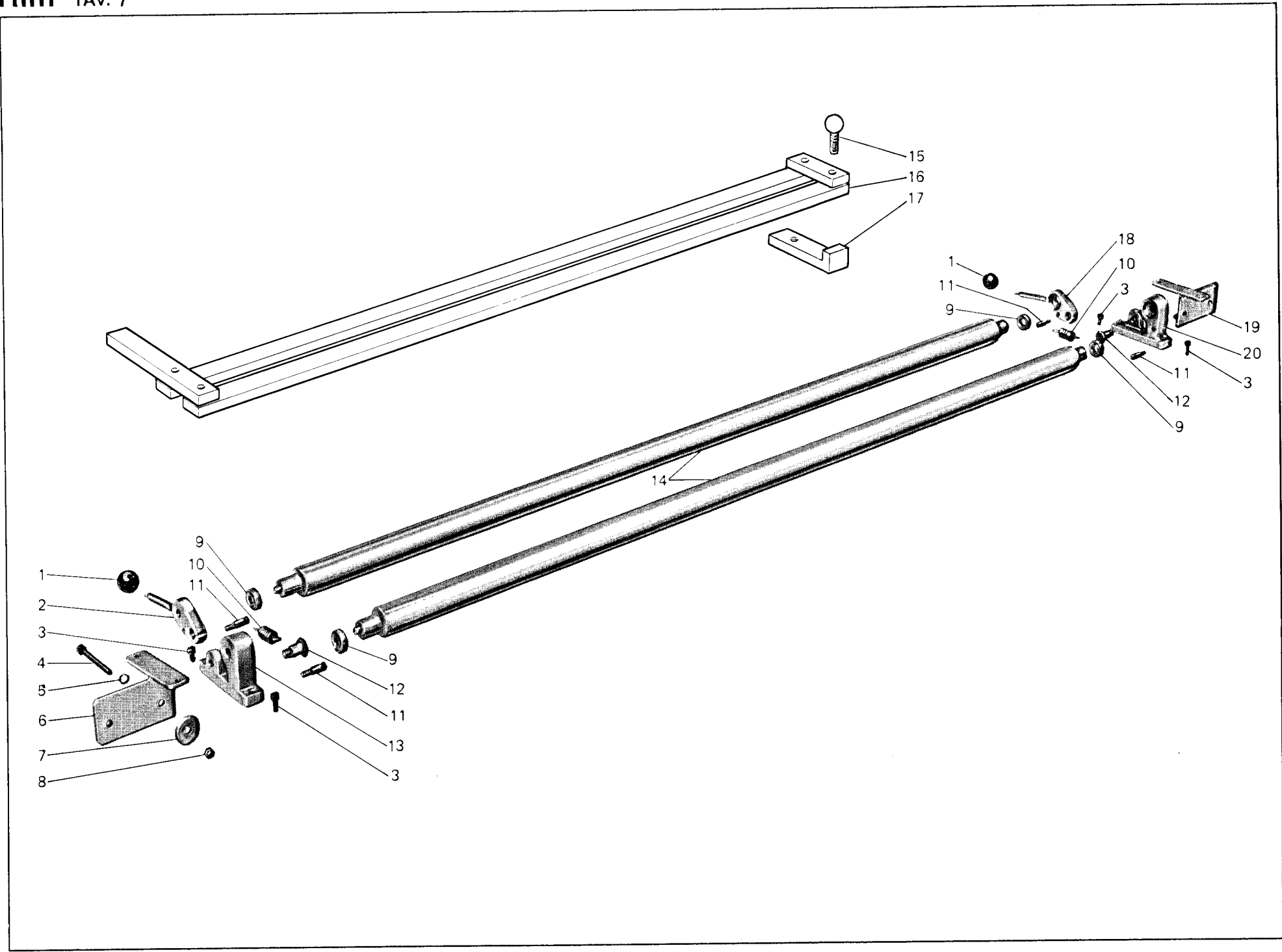


Fig. N°	Data M. Disegno	Qt.	DESCRIZIONE	DESCRIPTION
1 Z	RPS-966M/108 RPS-966M/154	2 1	impugnatura a sfera supporto mobile rullo sinistro	spherical handle left roller support
6	RPS-966M/148	1	squadra supporto sinistro	left bracket
7	RPS-966M/44	4	rondella	washer
8	RPS-966M/0015	4	dado	nut
9	RPS-966M/1H	4	cuscinetto	bearing
10	RPS-966M/134	2	molla	spring
11	RPS-966M/136	4	perno attacco molla	pin for spring
12	RPS-966M/153	2	perno	pin
13	RPS-966M/150	1	supporto sinistro rullo	left support
14	RPS-966M/152	2	rullo	roller
15	RPS-966M/152B	4	pomolo	knob
16	RPS-966M/152A	1	telaio	frame
17	RPS-966M/152C	1	squadretta	bracket
18	RPS-966M/155	1	supporto mobile rullo destro	right roller support
19	RPS-966M/149	1	squadra supporto destro	right bracket
20	RPS-966M/151	1	supporto destro rullo	right support

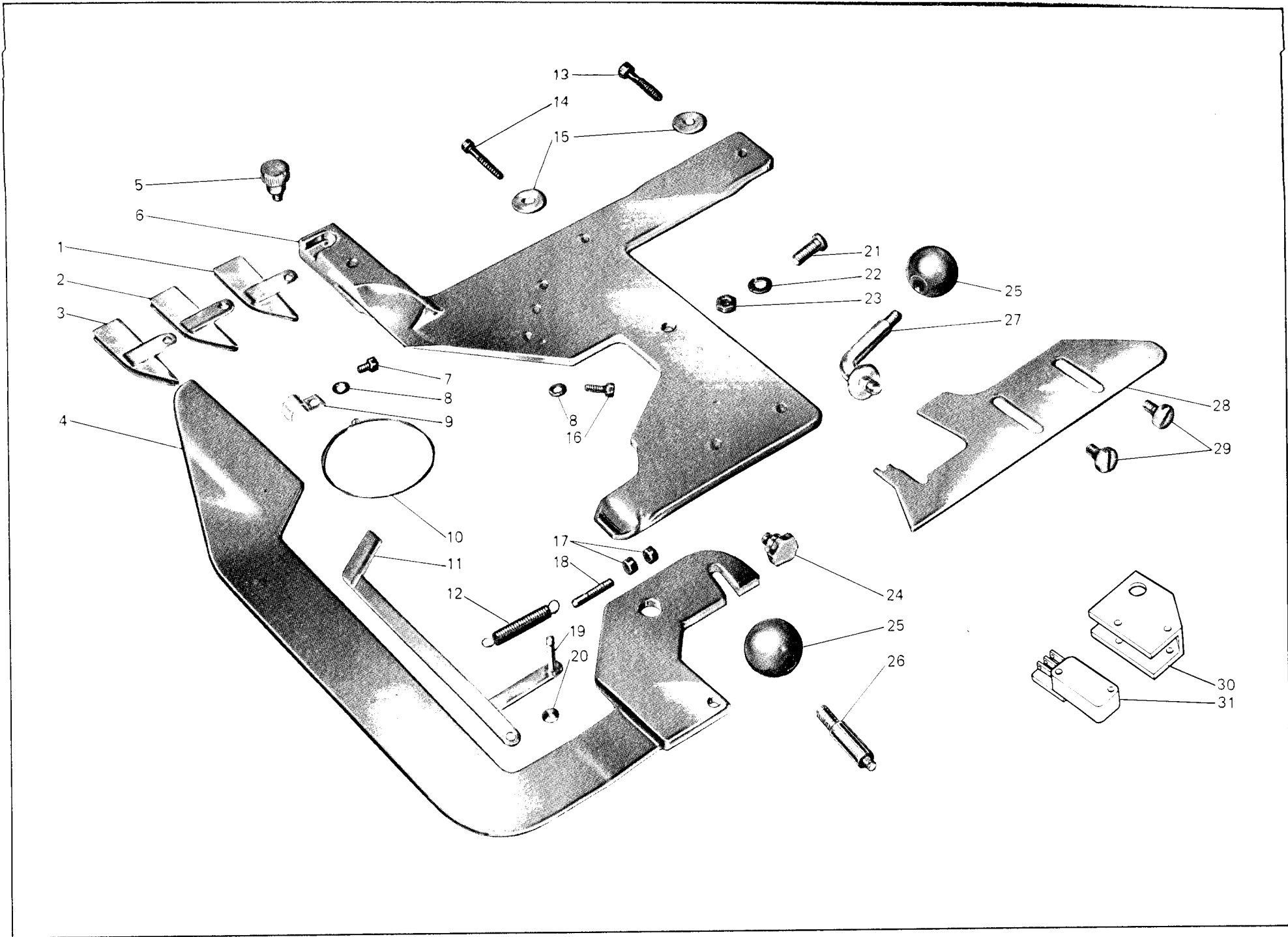


Fig. N.	Part. N. Piece N.	Qt.	DESCRIZIONE	DESCRIPTION
1	RPS-966M/170	1	guida tessuto (mod. stretto)	fabric guide (narrow model)
2	RPS-966M/171	1	guida tessuto (mod. medio)	fabric guide (mean model)
3	RPS-966M/172	1	guida tessuto (mod. largo)	fabric guide (large model)
4	RPS-966M/156	1	piastra guida tessuto	fabric guide plate
5	RPS-966M/169	1	pomolo bloccaggio guide	locking guide knob
6	RPS-966M/167	1	piastra porta guide	guide plate
7	RPS-966M/0059	1	vite	screw
8	RPS-966M/03	3	rondella	washer
9	RPS-966M/9	1	gaffetta	clip
10	RPS-966M/173	1	filo acciaio	steel wire
11	RPS-966M/157	1	contatto d'arresto	stop flask
12	RPS-966M/158	1	molla di richiamo	return spring
13	RPS-966M/0042	1	vite	screw
14	RPS-966M/0045	1	vite	screw
15	RPS-966M/168A	2	rondella	washer
16	RPS-966M/006	2	vite	screw
17	RPS-966M/007	2	dado	nut
18	RPS-966M/159	1	attacco per molla	pin for spring
19	RPS-966M/174A	1	perno per attacco molla	pin for spring
20	RPS-966M/160	1	perno contatto arresto	pin
21	RPS-966M/168	1	vite tendifilo	thread take-up screw
22	RPS-966M/02	1	rondella	washer
23	RPS-966M/0015	1	dado	nut
24	RPS-966M/161	1	perno piastra guida tessuto	pin
25	RPS-966M/162	2	impugnatura a sfera	spherical handle
26	RPS-966M/163	1	perno per impugnatura	pin
27	RPS-966M/166	1	maniglia bloccaggio	locking handle
28	RPS-966M/164	1	piastra chiusura	plate
29	RPS-966M/165	2	vite fissaggio piastra	plate screw
30	RPS-966M/604	1	supporto	support
31	RPS-966M/604A	1	microinterruttore	microswitch

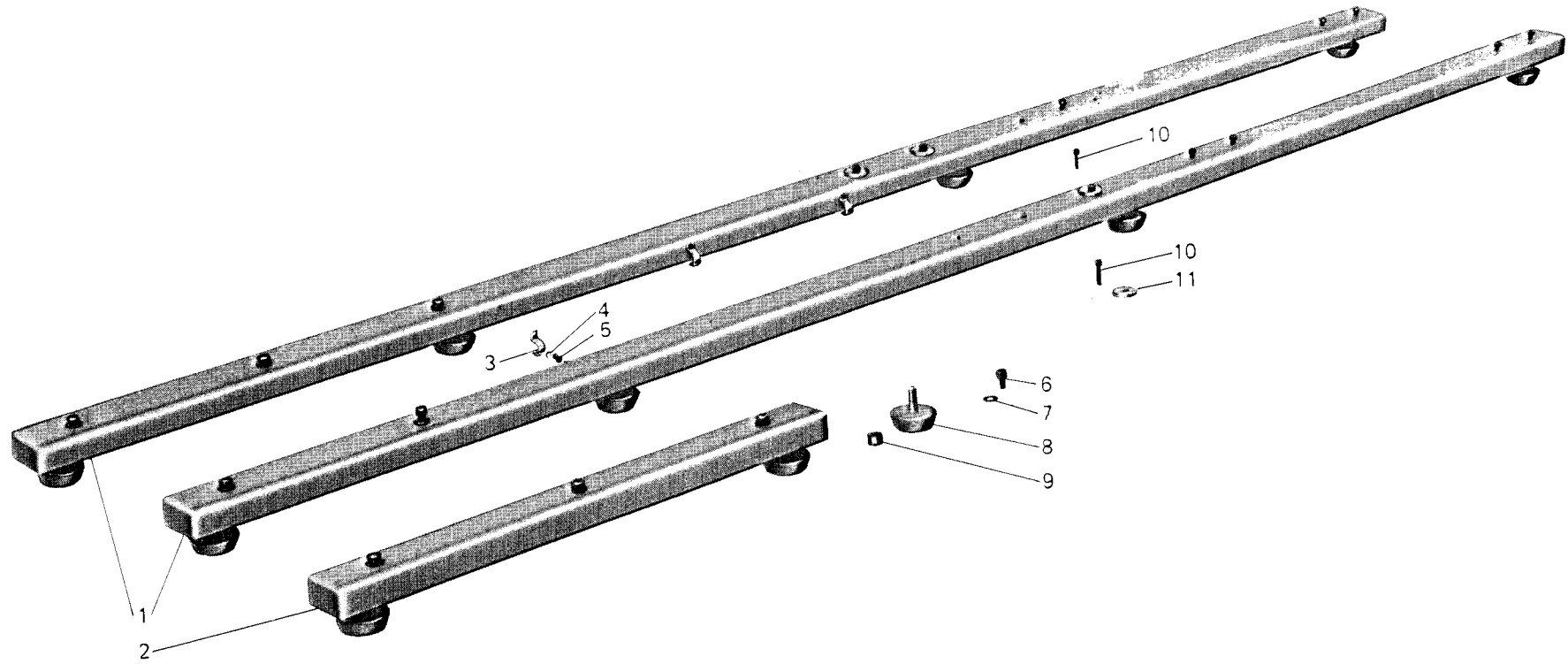


Fig. N.	Part. N. Piece N.	Qt.	DESCRIZIONE	DESCRIPTION
1	RPS-966M/176	2	traversa lunga	long crosspiece
2	RPS-966M/175	1	traversa corta	short crosspiece
3	RPS-966M/9	3	gaffetta	clip
4	RPS-966M/03	3	rondella	washer
5	RPS-966M/006	3	vite	screw
6	RPS-966M/0035	9	vite	screw
7	RPS-966M/04	9	rondella	washer
8	RPS-966M/177	10	pedino	foot
9	RPS-966M/0022	10	dado	nut
10	RPS-966M/0036	12	vite	screw
11	RPS-966M/81	4	rondella	washer

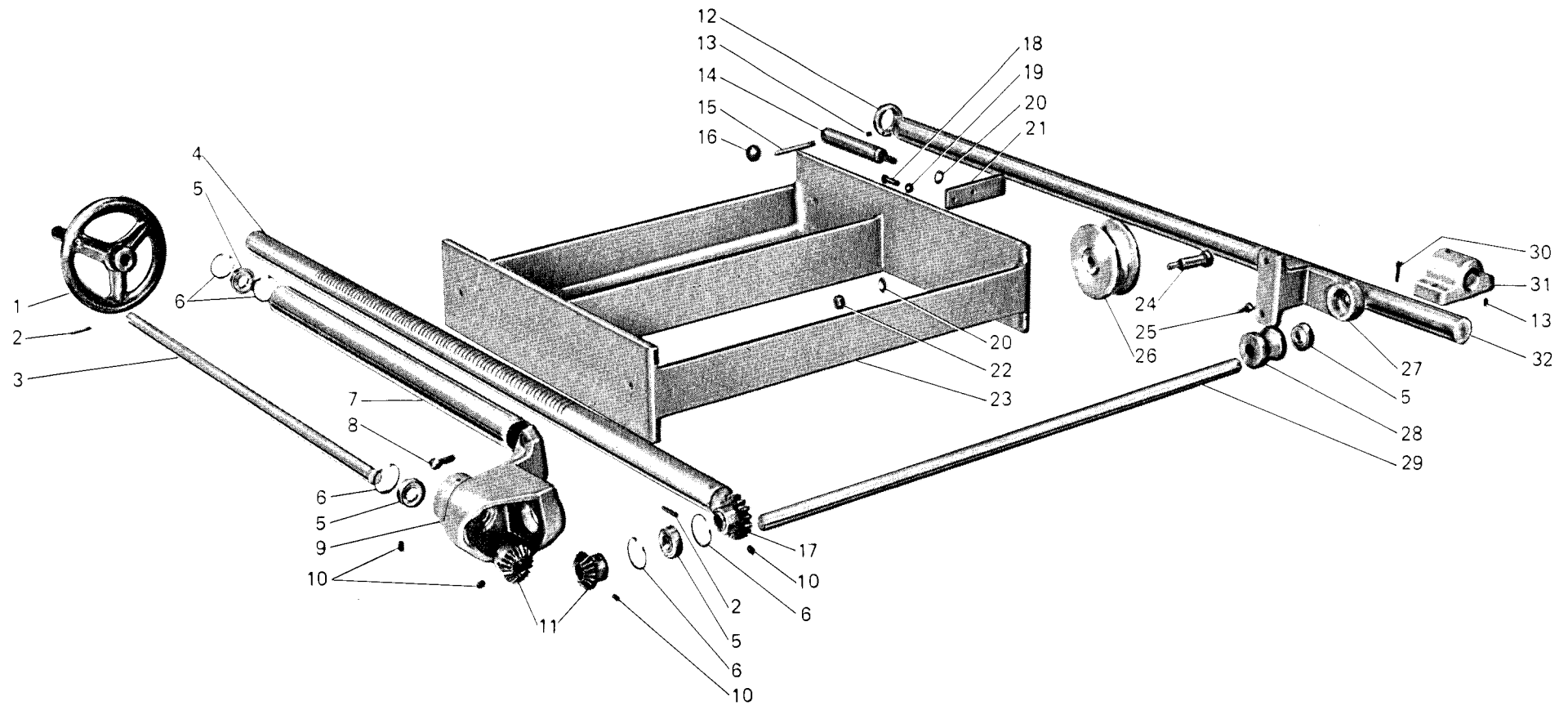


Fig. N.	Part. N. Pecce N.	Qt.	DESCRIZIONE	DESCRIPTION
1	RPS-966M/194	1	volantino	handwheel
2	RPS-966M/191	2	spina	pin
3	RPS-966M/193	1	asta di comando	control rod
4	RPS-966M/182	1	guida carrello con cremagliera	truck guide with rack
5	RPS-966M/1E	4	cuscinetto	bearing
6	RPS-966M/189	5	anello di fermo	circlip
7	RPS-966M/192	1	manicotto	coupling
8	RPS-966M/0039	2	vite	screw
9	RPS-966M/190	1	scatola spostamento	displacement box
10	RPS-966M/0038	4	vite	screw
11	RPS-966M/188	2	ingranaggio	gear
12	RPS-966M/195	1	anello di fermo	circlip
13	RPS-966M/0011	9	vite	screw
14	RPS-966M/197	1	perno di bloccaggio	locking pin
15	RPS-966M/198	1	leva	lever
16	RPS-966M/199	1	impugnatura a sfera	spherical handle
17	RPS-966M/187	1	ingranaggio spostamento	displacement gear
18	RPS-966M/008	1	vite	screw
19	RPS-966M/009	1	dado	nut
20	RPS-966M/05	5	rondella	washer
21	RPS-966M/196	1	piastra di bloccaggio	locking plate
22	RPS-966M/0022	4	dado	nut
23	RPS-966M/178	1	carrello	truck
24	RPS-966M/179	4	perno per ruota carrello	pin for truck wheel
25	RPS-966M/0035	2	vite	screw
26	RPS-966M/180	4	ruota per carrello	truck wheel
27	RPS-966M/184	1	supporto albero spostamento	shaft support
28	RPS-966M/185	1	ruota di contrasto	wheel
29	RPS-966M/186	1	albero spostamento	displacement shaft
30	RPS-966M/0036	8	vite	screw
31	RPS-966M/183	4	supporto guida	guide support
32	RPS-966M/181	1	guida carrello	truck guide

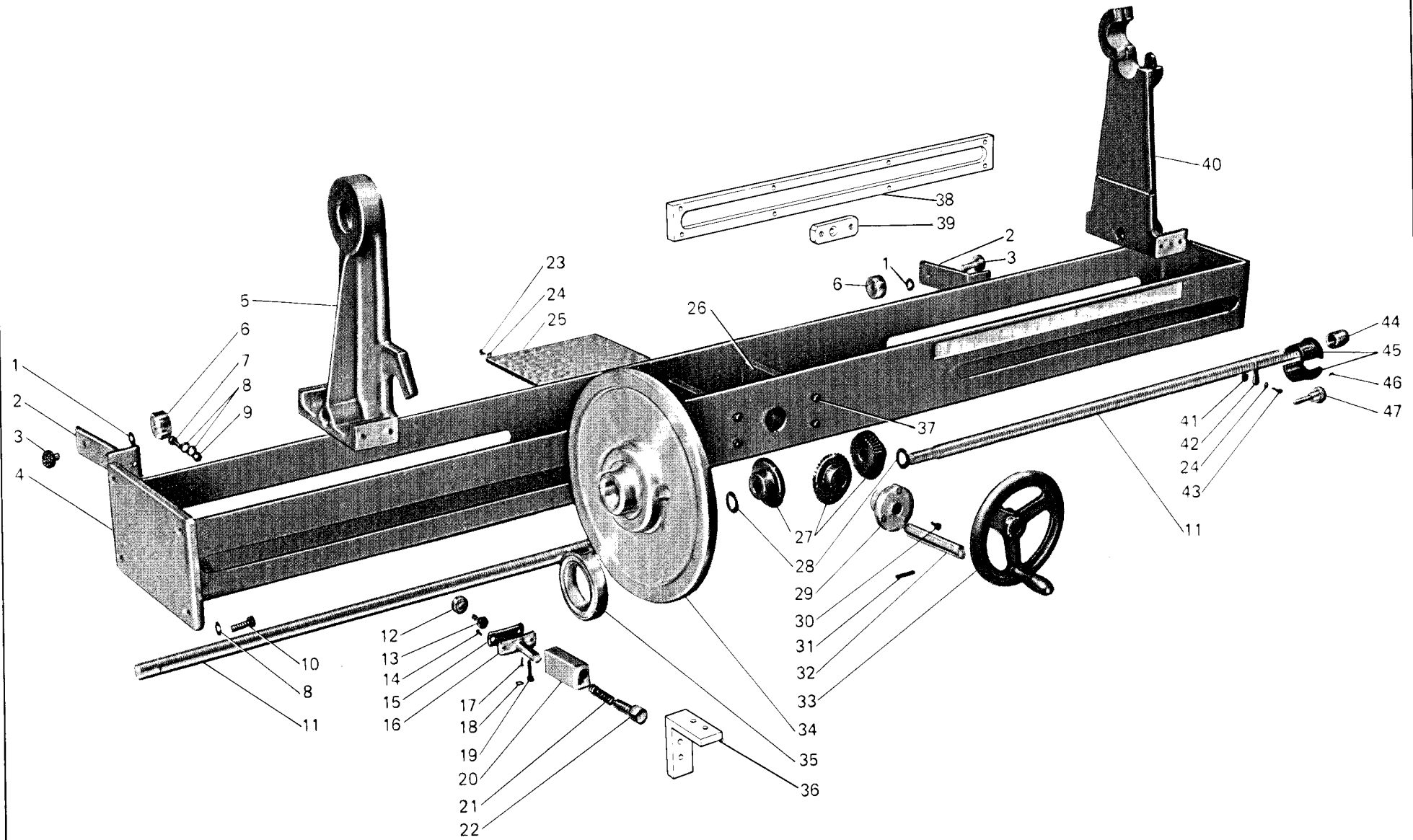


Fig. N.	Part. N. Pezzo N.	Qt.	DESCRIZIONE	DESCRIPTION
1	RPS-966M/05	2	rondella	washer
2	RPS-966M/214	2	quadrato di supporto	bracket
3	RPS-966M/216	2	vite di bloccaggio	locking screw
4	RPS-966M/200	1	colonna	stand
5	RPS-966M/205	1	supporto	support
6	RPS-966M/215	2	ghiera di bloccaggio	ring nut
7	RPS-966M/0024	4	vite	screw
8	RPS-966M/09	8	rondella	washer
9	RPS-966M/009	4	dado	nut
10	RPS-966M/0039	4	vite	screw
11	RPS-966M/204	2	vite di manovra	threaded shaft
12	RPS-966M/1H	8	cuscinetto	bearing
13	RPS-966M/217	8	perno con vite	pin with screw
14	RPS-966M/0043	2	vite	screw
15	RPS-966M/218	1	piastra di frizione	clutch plate
16	RPS-966M/219	1	alberino	shaft
17	RPS-966M/220	1	fermo	lock
18	RPS-966M/01	1	rondella	washer
19	RPS-966M/0042	1	vite	screw
20	RPS-966M/221	1	corpo frizione	clutch body
21	RPS-966M/222	1	molla	spring
22	RPS-966M/223	1	vite di regolazione	adjusting screw
23	RPS-966M/0032	6	vite	screw
24	RPS-966M/03	7	rondella	washer
25	RPS-966M/213	1	piastra di protezione	protection plate
26	RPS-966M/200C	2	piastra colonna	plate
27	RPS-966M/201	3	ingranaggio	gear
28	RPS-966M/07	2	rondella	washer
29	RPS-966M/202	1	mozzo con bronzina	hub with bush
30	RPS-966M/0040	3	vite	screw
31	RPS-966M/191	1	spina	pin
32	RPS-966M/203	1	alberino per volantino	handwheel shaft
33	RPS-966M/194	1	volantino	handwheel
34	RPS-966M/212	1	disco portapezza	piece disc
35	RPS-966M/1L	1	cuscinetto	bearing
36	RPS-966M/221A	1	supporto freno	support
37	RPS-966M/0016	8	vite	screw
38	RPS-966M/200A	4	protezione cuscinetto	bearing protection
39	RPS-966M/200B	4	supporto cuscinetto	bearing support
40	RPS-966M/206	1	supporto snodato	support
41	RPS-966M/211	1	distanziale	spacer
42	RPS-966M/210	1	indice	index
43	RPS-966M/0021	1	vite	screw
44	RPS-966M/207	2	boccola filettata	thread bush
45	RPS-966M/208	2	semiboccola in nylon	half ring
46	RPS-966M/0041	4	vite	screw
47	RPS-966M/209	1	perno di chiusura	locking pin

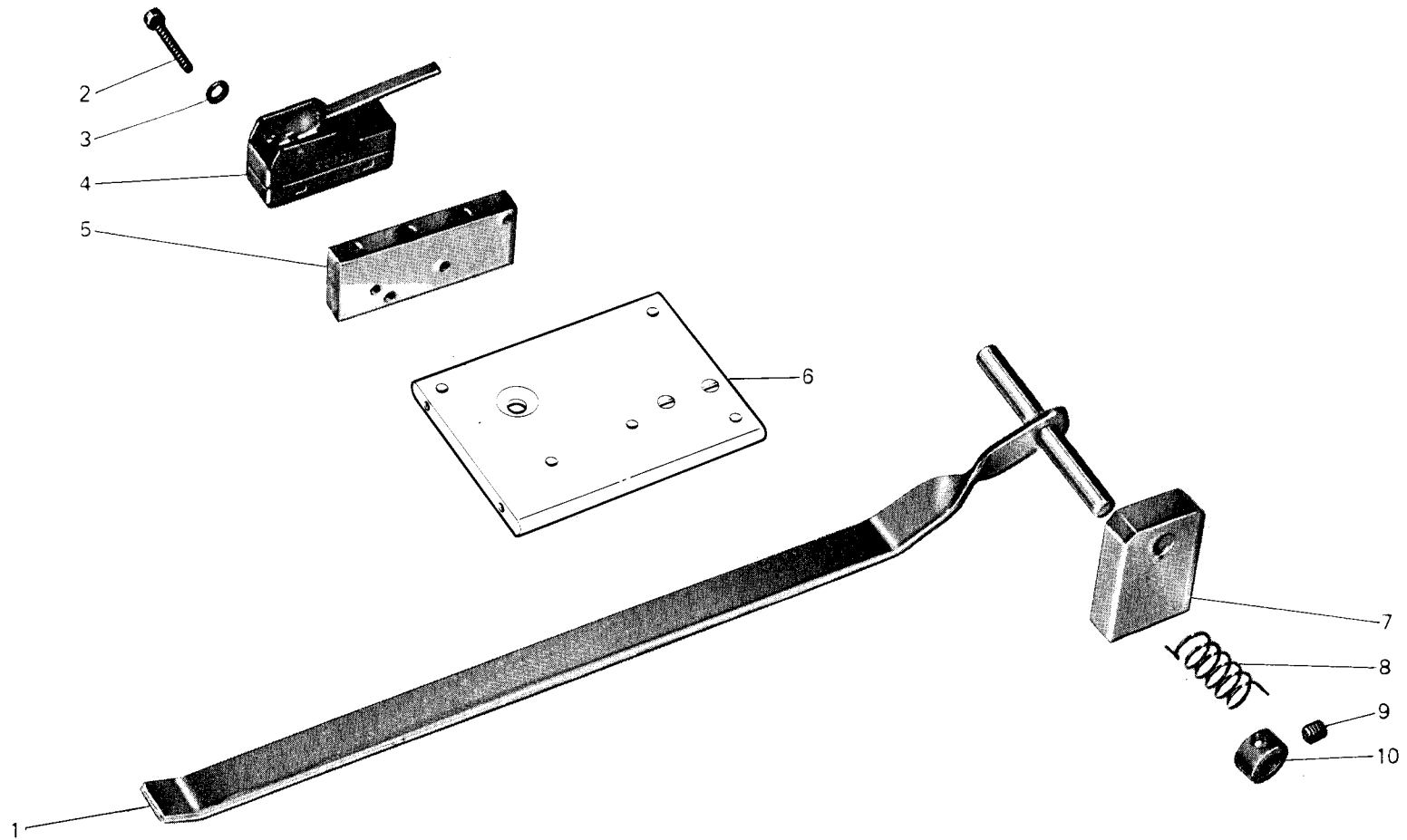


Fig. N.	Part. N. Piece N.	Qt.	DESCRIZIONE	DESCRIPTION
1	RPS-966M/225	1	leva	lever
2	RPS-966M/0045	2	vite	screw
3	RPS-966M/03	2	rondella	washer
4	RPS-966M/235	1	microinterruttore fine pezza	microswitch
5	RPS-966M/231	1	piastina mobile	movable plate
6	RPS-966M/230A	1	piastra fissa	fixed plate
7	RPS-966M/226	1	supporto	support
8	RPS-966M/227	1	molla	spring
9	RPS-966M/0017	2	vite	screw
10	RPS-966M/228	2	anello per molla	ring for spring

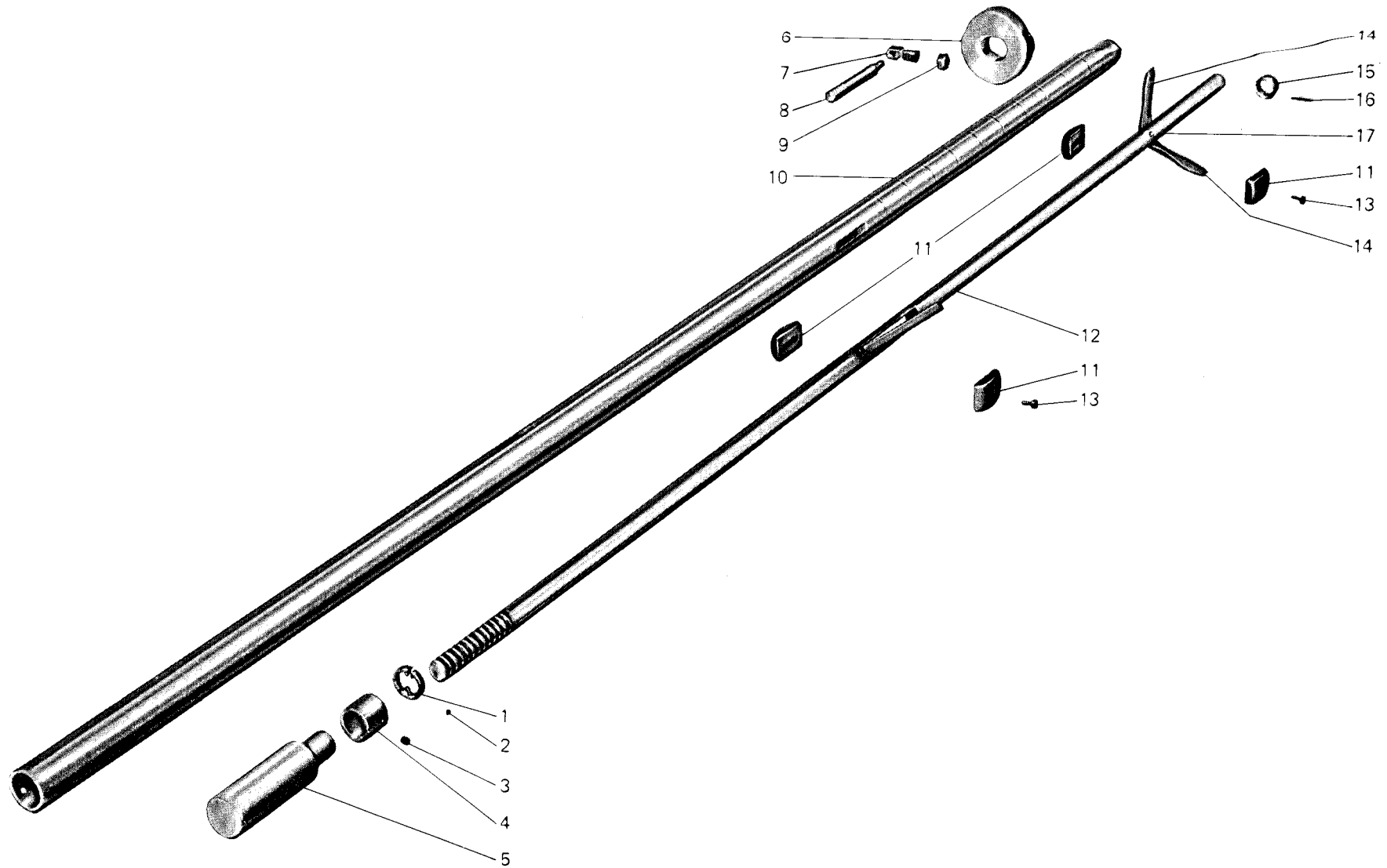


Fig. N.	Part. N. Pezzo N.	Q.	DESCRIZIONE	DESCRIPTION
1	RPS-966M/244A	1	anello di sicurezza	seeger
2	RPS-966M/0031	1	vite	screw
3	RPS-966M/0017	1	vite	screw
4	RPS-966M/243	1	bussola	bush
5	RPS-966M/237	1	manopola	handle
6	RPS-966M/239	1	anello di regolazione verticale	vertical adjusting ring
7	RPS-966M/241	1	vite di bloccaggio	locking screw
8	RPS-966M/242	1	leva	lever
9	RPS-966M/240	1	pastiglia di bloccaggio	plug
10	RPS-966M/238	1	tubo portapezza	piece holder tube
11	RPS-966M/247	4	blocchetto d'appoggio	block
12	RPS-966M/245	1	tubo interno bloccaggio cartone	inner tube for board
13	RPS-966M/006	4	vite	screw
14	RPS-966M/246	4	leva bloccaggio cartone	board locking lever
15	RPS-966M/248	1	bussola di guida	bush
16	RPS-966M/62	1	spina	pin
17	RPS-966M/249	1	spina	pin

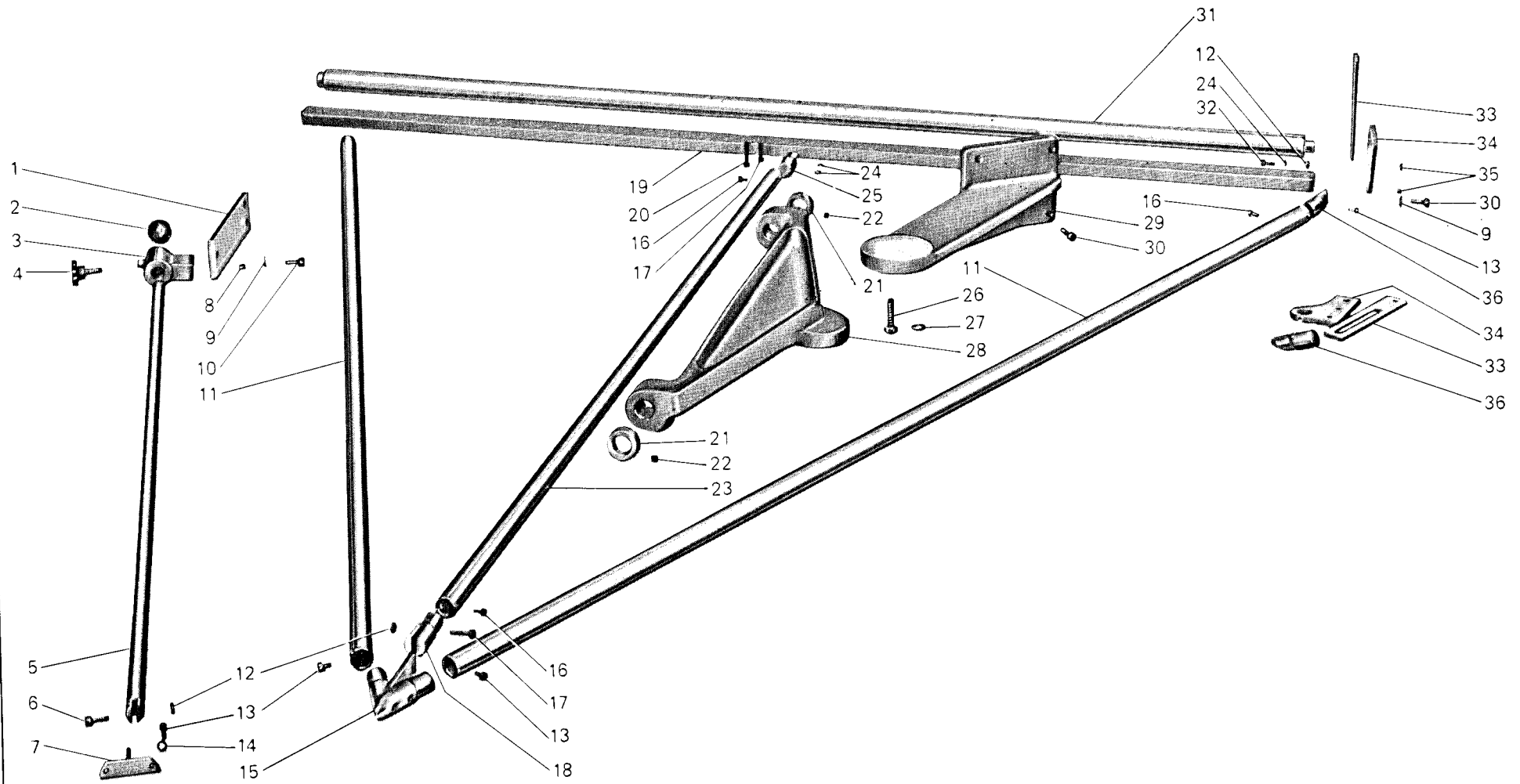


Fig. N.	Part. N. Piece N.	Qt.	DESCRIZIONE	DESCRIPTION
1	RPS-966M/266	1	piastra attacco alla tavola	plate for table attaching
2	RPS-966M/268	1	impugnatura a sfera	spherical handle
3	RPS-966M/267	1	supporto puntale	push rod support
4	RPS-966M/265	1	volantino di bloccaggio	locking handle
5	RPS-966M/264	1	puntale	push rod
6	RPS-966M/0014	1	vite	screw
7	RPS-966M/263	1	squadretta attacco puntale	bracket for push rod
8	RPS-966M/0038	1	vite	screw
9	RPS-966M/04	3	rondella	washer
10	RPS-966M/0039	1	vite	screw
11	RPS-966M/259	2	barra laterale	side bar
12	RPS-966M/0015	4	dado	nut
13	RPS-966M/0058	6	vite	screw
14	RPS-966M/01	2	rondella	washer
15	RPS-966M/261	1	punta anteriore	front point
16	RPS-966M/0040	4	vite	screw
17	RPS-966M/0036	2	vite	screw
18	RPS-966M/262	1	raccordo	connection
19	RPS-966M/255	1	traversa verticale	vertical traverse
20	RPS-966M/0057	1	vite	screw
21	RPS-966M/253	2	anello di fermo	stop ring
22	RPS-966M/0052	2	vite	screw
23	RPS-966M/252	1	barra centrale	central bar
24	RPS-966M/02	4	rondella	washer
25	RPS-966M/254	1	punta posteriore	rear point
26	RPS-966M/0056	1	vite	screw
27	RPS-966M/05	1	rondella	washer
28	RPS-966M/251	1	supporto registrabile	adjusting support
29	RPS-966M/250	1	supporto fisso	support
30	RPS-966M/008	6	vite	screw
31	RPS-966M/260	1	barra verticale scorripezza	vertical bar for piece sliding
32	RPS-966M/0016	2	vite	screw
33	RPS-966M/257	2	piastrina di regolazione	adjusting plate
34	RPS-966M/256	2	piastra attacco barre	bar flange
35	RPS-966M/0025	4	vite	screw
36	RPS-966M/258	2	punta posteriore	rear point

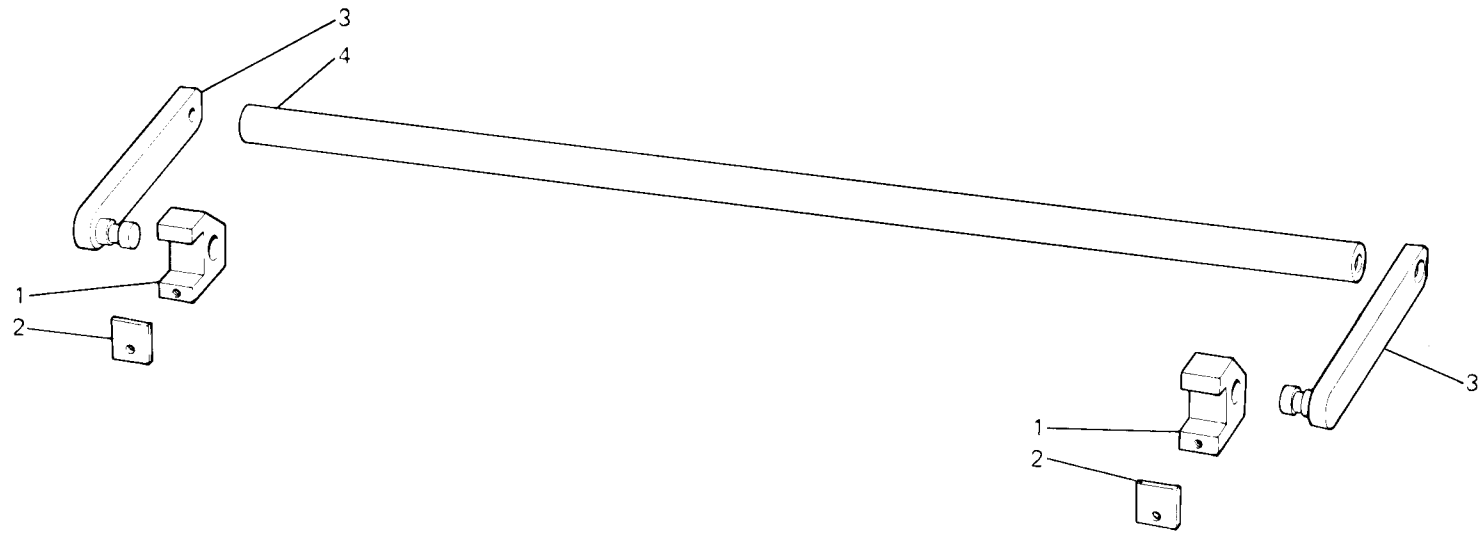


Fig. N.	Part. N. Pezzo N.	Qt.	DESCRIZIONE	DESCRIPTION
1	RPS-966M/260A	2	squadretta tendipezza	bracket
2	RPS-966M/260D	2	piastrina	plate
3	RPS-966M/260B	2	supporto	support
4	RPS-966M/260C	1	tubo tendipezza	tube

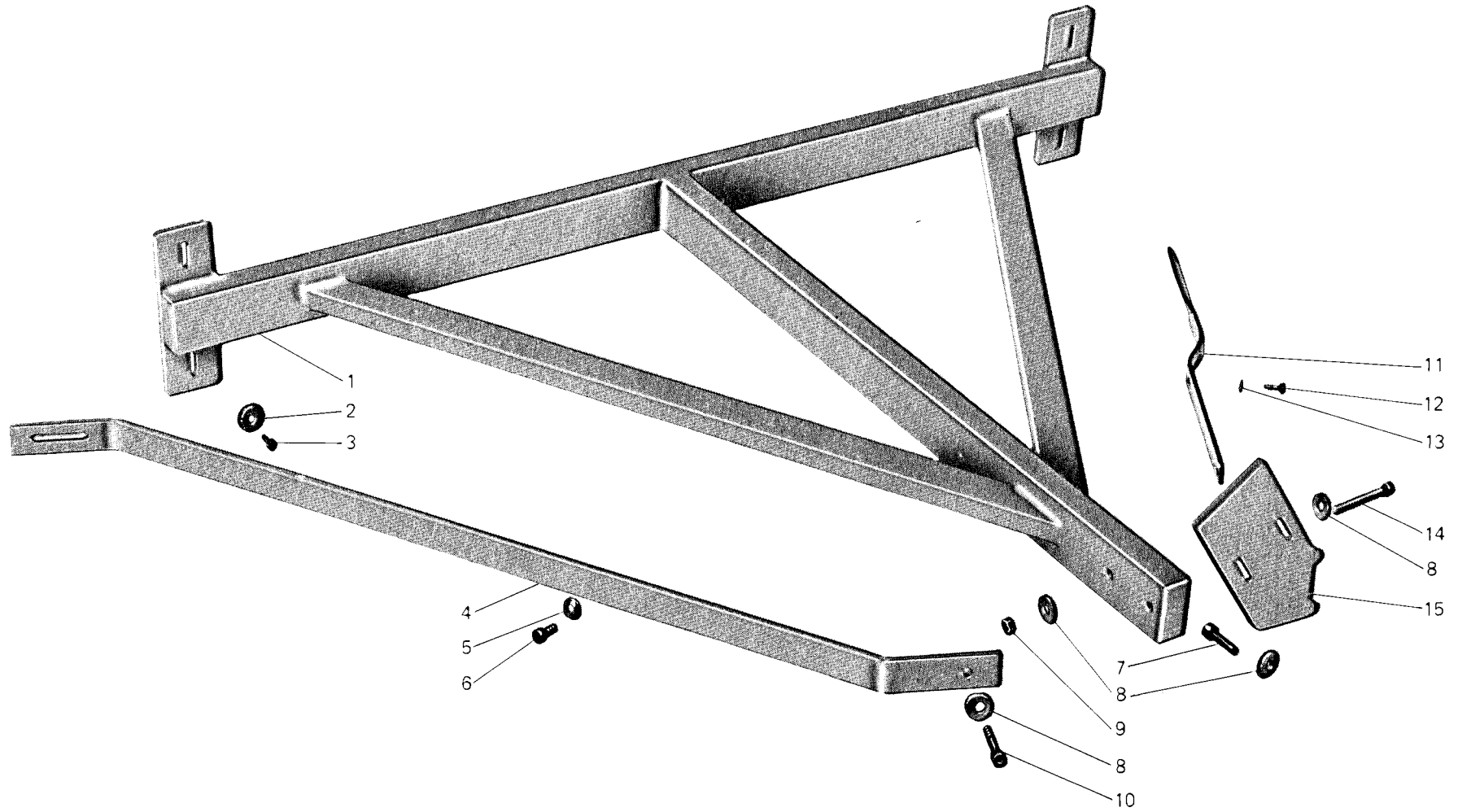


Fig. N.	Part. N. Piece N.	Qt.	DESCRIZIONE	DESCRIPTION
1	RPS-966M/269	1	piantana	pedestal
2	RPS-966M/81	4	rondella	washer
3	RPS-966M/0036	4	vite	screw
4	RPS-966M/271	1	traversa di sostegno piantana	traverse for pedestal support
5	RPS-966M/14	1	rondella	washer
6	RPS-966M/0024	1	vite	screw
7	RPS-966M/008	2	vite	screw
8	RPS-966M/17	7	rondella	washer
9	RPS-966M/009	2	dado	nut
10	RPS-966M/0047	1	vite	screw
11	RPS-966M/272	1	supporto bracci fotocellule	photoelectric cell support
12	RPS-966M/0016	2	vite	screw
13	RPS-966M/02	2	rondella	washer
14	RPS-966M/0046	2	vite	screw
15	RPS-966M/270	1	supporto motore	motor support

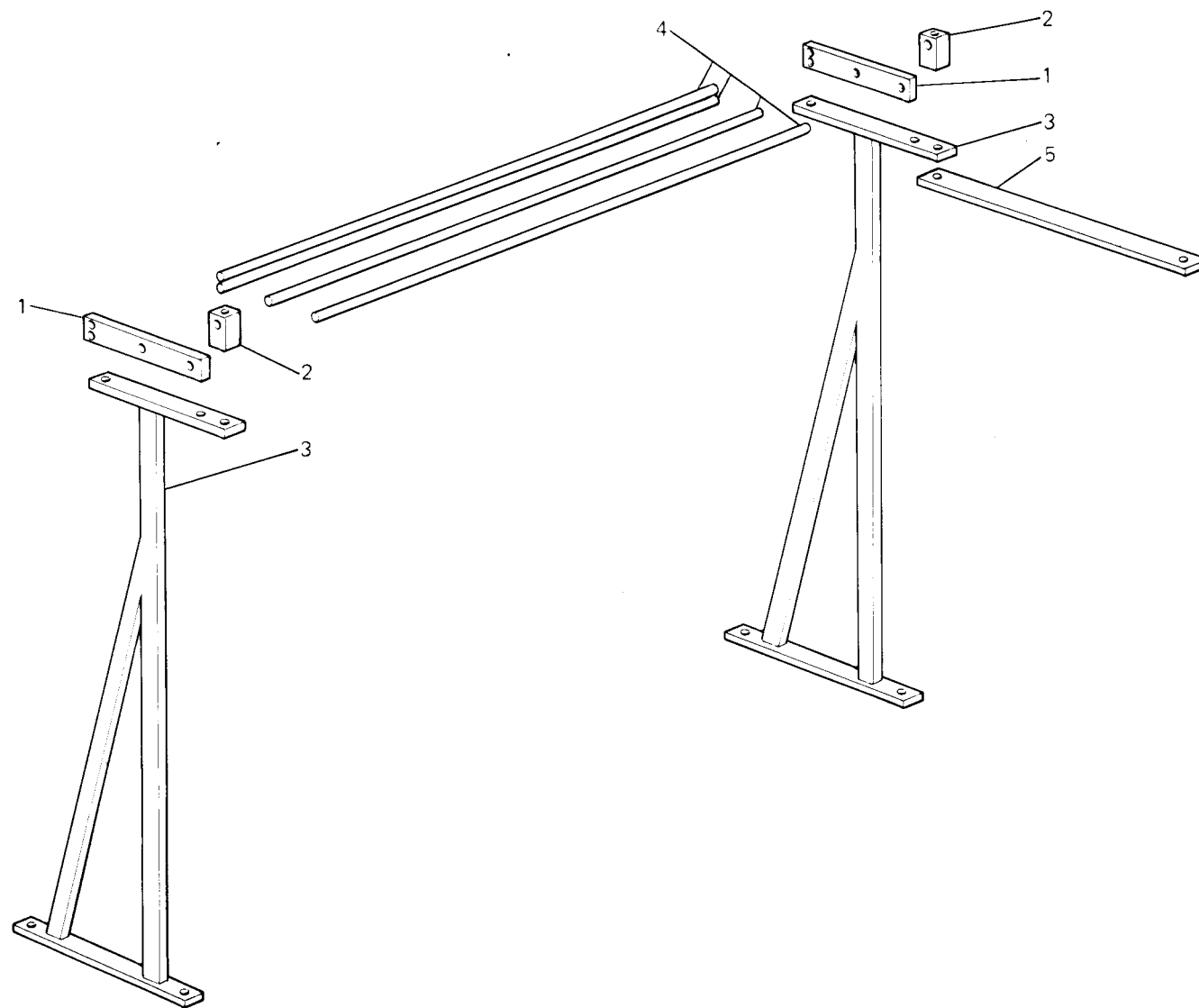


Fig. N.	Part. N. Piece N.	Qt.	DESCRIZIONE	DESCRIPTION
1	RPS-966M/269A	2	traversa	traverse
2	RPS-966M/269B	2	supporto	support
3	RPS-966M/269D	2	telaio	frame
4	RPS-966M/269C	4	barra rastrelliera	bar
5	RPS-966M/269E	1	giunto	joint

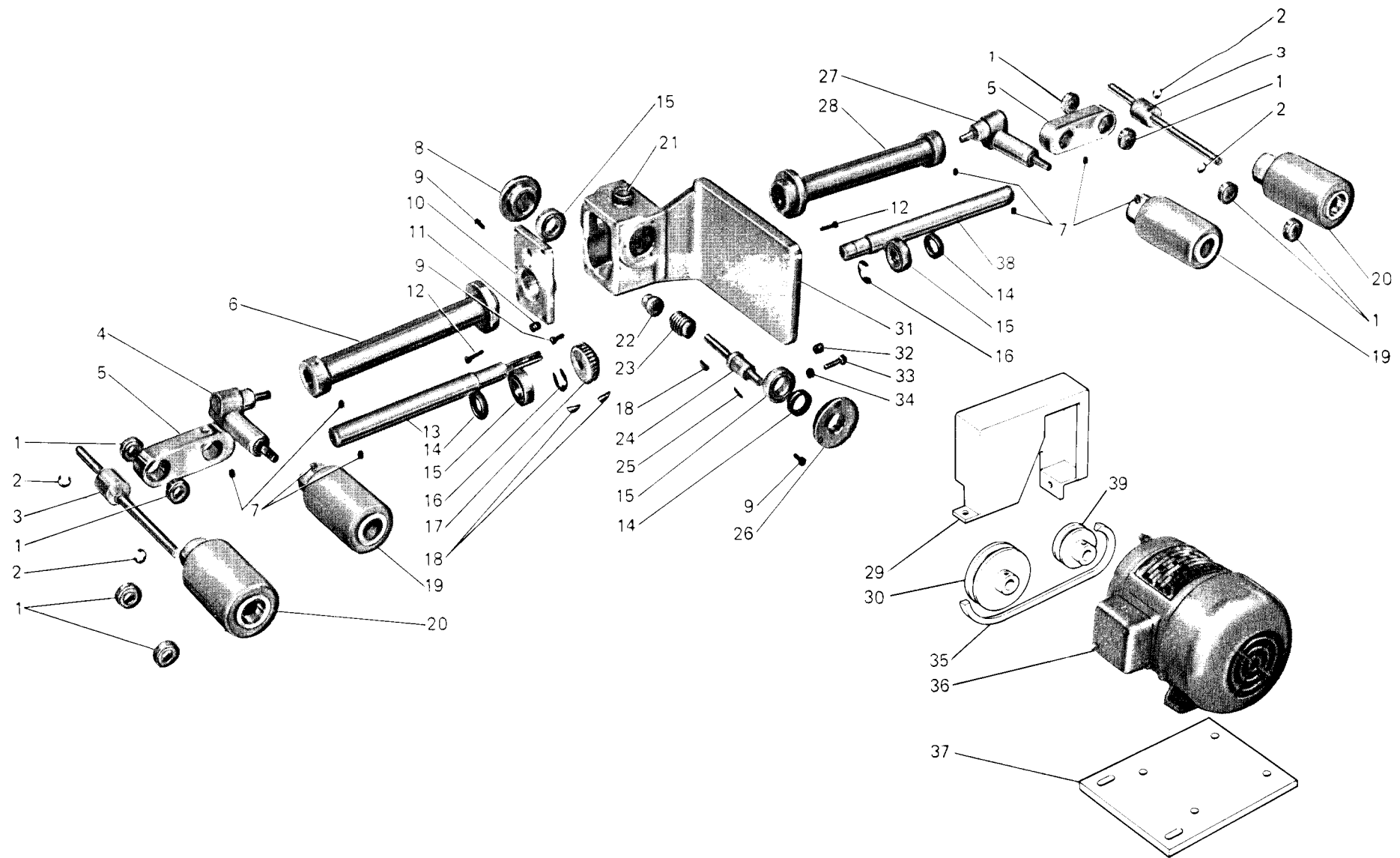


Fig. N.	Part. N. Piece N.	Qt.	DESCRIZIONE	DESCRIPTION
1	RPS-966M/10	8	cuscinetto	bearing
2	RPS-966M/291	4	anello di fermo	circlip
3	RPS-966M/290	2	albero porta rullo condotto	driven roller shaft
4	RPS-966M/286	1	supporto superiore rullo conduttore	upper support for roller
5	RPS-966M/288	2	staffa	bracket
6	RPS-966M/294	1	supporto superiore	upper support
7	RPS-966M/0017	6	vite	screw
8	RPS-966M/281	1	coperchio cieco	cover
9	RPS-966M/0051	12	vite	screw
10	RPS-966M/295	1	coperchio superiore scatola	upper cover
11	RPS-966M/0052	1	vite	screw
12	RPS-966M/0032	6	vite	screw
13	RPS-966M/285	1	albero verticale superiore	upper vertical shaft
14	RPS-966M/275	3	anello di tenuta	oil ring
15	RPS-966M/1B	4	cuscinetto	bearing
16	RPS-966M/284	2	anello di fermo	circlip
17	RPS-966M/283	1	corona per vite senza fine	crown
18	RPS-966M/278	3	linguetta	key
19	RPS-966M/287	2	rullo conduttore	driving roller
20	RPS-966M/293	2	rullo condotto	driven roller
21	RPS-966M/53	1	indicatore livello olio	oil level indicator
22	RPS-966M/280	1	distanziale	spacer
23	RPS-966M/279	1	vite senza fine	worm screw
24	RPS-966M/277	1	albero orizzontale	horizontal shaft
25	RPS-966M/276	1	chiavetta	key
26	RPS-966M/274A	1	coperchio forato	cover
27	RPS-966M/289	1	supporto inferiore rullo conduttore	lower support for roller
28	RPS-966M/292	1	supporto inferiore	lower support
29	RPS-966M/279D	1	protezione	protection
30	RPS-966M/279B	1	puleggia	pulley
31	RPS-966M/282	1	scatola correttore	housing
32	RPS-966M/0011	4	vite	screw
33	RPS-966M/0049	4	vite	screw
34	RPS-966M/0050	4	dado	nut
35	RPS-966M/279E	1	cinghia	belt
36	RPS-966M/271A	1	motore 0,05 CV	motor 0,05 CV
37	RPS-966M/279C	1	piastra	plate
38	RPS-966M/285A	1	albero verticale inferiore	lower vertical shaft
39	RPS-966M/279A	1	puleggia	pulley

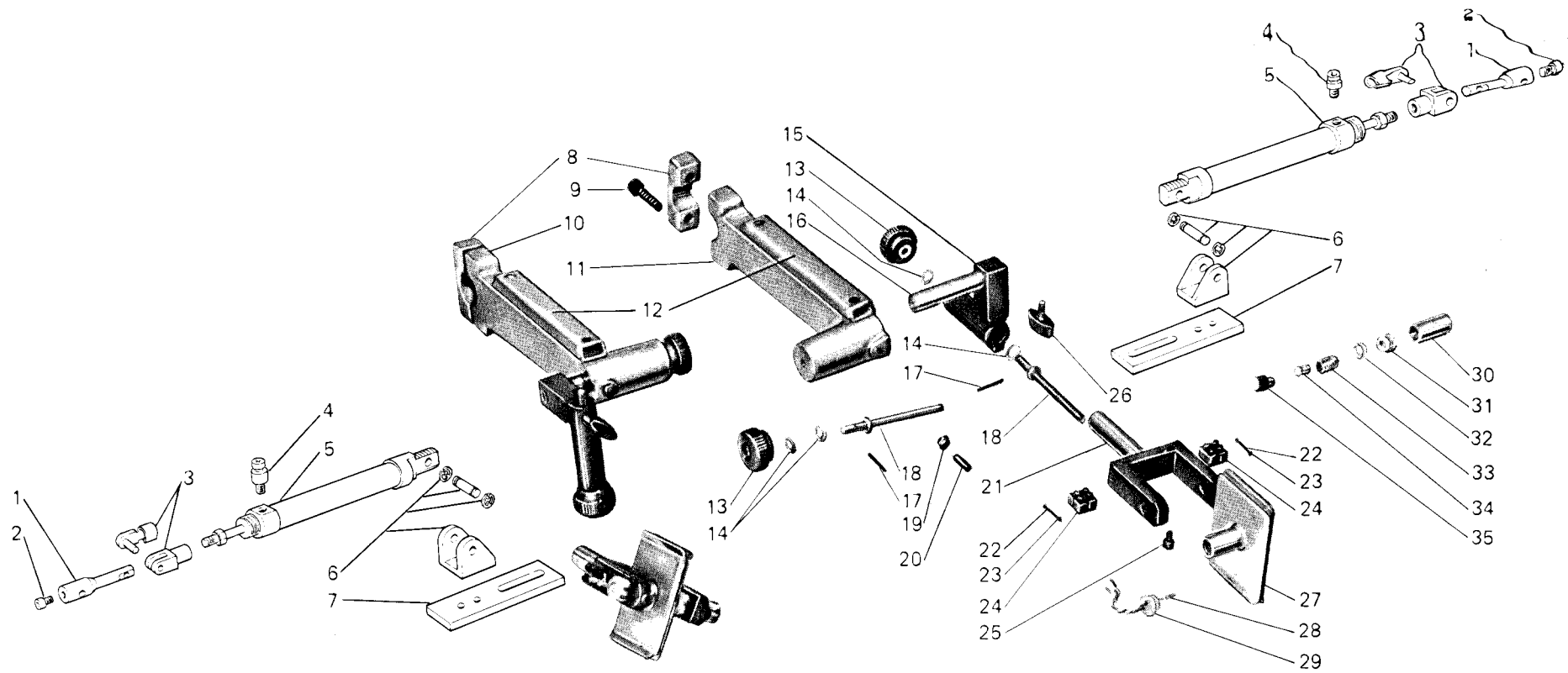


Fig. N.	Part. N. Pecce N.	Qt.	DESCRIZIONE	DESCRIPTION
1	RPS-966M/322	2	leva	lever
2	RPS-966M/0018	2	vite	screw
3	RPS-966M/443	2	giunto	joint
4	RPS-966M/444	2	raccordo	pipe connection
5	RPS-966M/445	2	cilindro	cylinder
6	RPS-966M/446	2	supporto completo	support assembly
7	RPS-966M/447	2	piastrina	plate
8	RPS-966M/296	2	staffa	bracket
9	RPS-966M/0039	4	vite	screw
10	RPS-966M/298	1	braccio superiore porta fotocellule	upper arm
11	RPS-966M/297	1	braccio inferiore porta fotocellule	lower arm
12	RPS-966M/297A	2	passacavi	grommet
13	RPS-966M/300	4	volantino di regolazione	adjusting handwheel
14	RPS-966M/08	8	rondella	washer
15	RPS-966M/304	2	supporto movimento orizzontale	support
16	RPS-966M/303	2	cannocchiale di guida	telescopic guide
17	RPS-966M/302	4	spina	pin
18	RPS-966M/301	4	vite di regolazione	adjusting screw
19	RPS-966M/0015	2	dado	nut
20	RPS-966M/299	2	vite di fermo	screw
21	RPS-966M/306	2	forcella porta fotocellule	photoelectric cell fork
22	RPS-966M/0037	4	vite	screw
23	RPS-966M/004	4	dado	nut
24	RPS-966M/144	2	morsettiera	junction box
25	RPS-966M/0048	4	vite	screw
26	RPS-966M/305	2	chiavetta	key
27	RPS-966M/307	2	piastrina	plate
28	923644-0-00	2	fotocellula OAP 12	photoelectric cell OAP 12
29	RPS-966M/308	2	tappo per fotocellula	plug for photoelectric cell
30	RPS-966M/314	2	contenitore porta lampade	lamp holder container
31	RPS-966M/313	2	isolatore	insulator
32	RPS-966M/312	2	rondella	washer
33	RPS-966M/311	2	porta lampada	lamp socket
34	923595-0-00	2	lampada 28 V	lamp 28 V
35	RPS-966M/309	2	filtro	filter

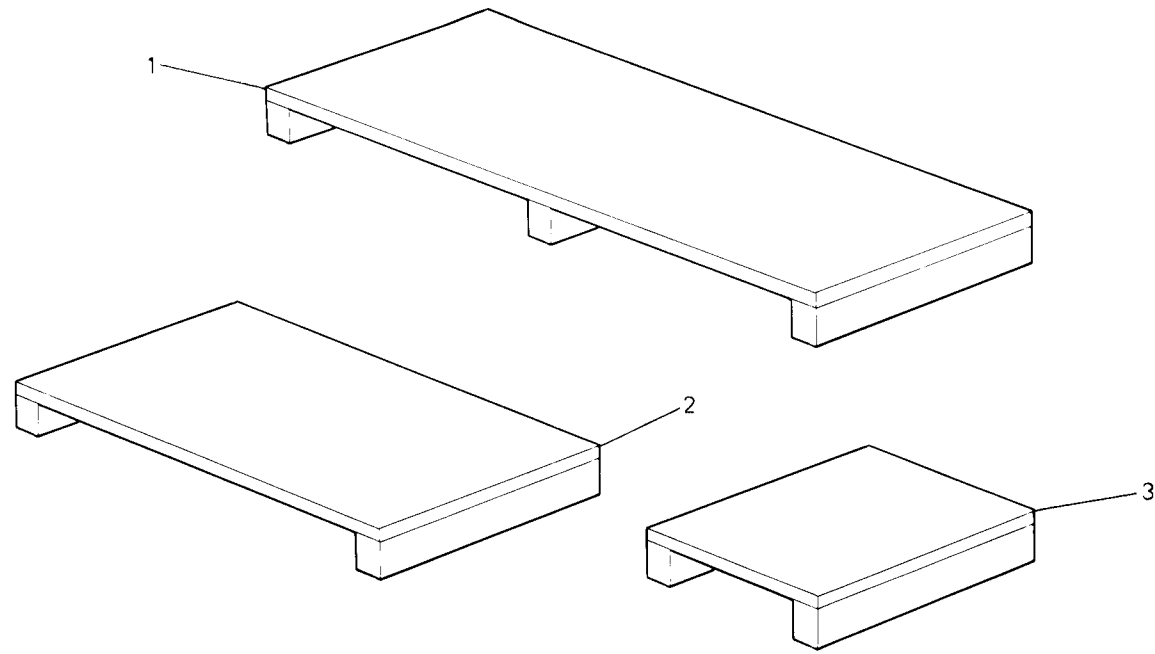


Fig. N.	Part. N. Piece N.	Qt.	DESCRIZIONE	DESCRIPTION
1	RPS-966M/329	1	pedana	board
2	RPS-966M/329A	1	pedana	board
3	RPS-966M/329B	1	pedana	board

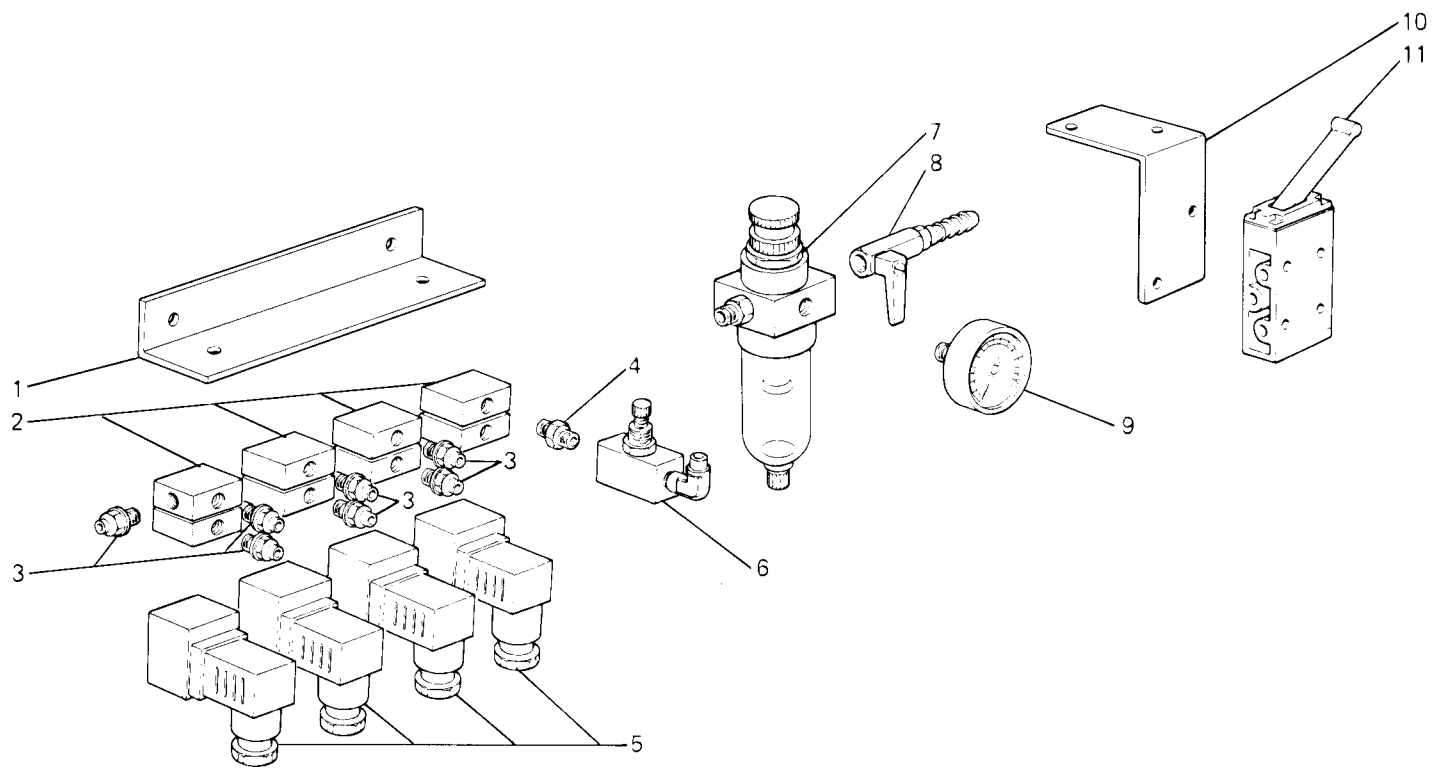


Fig. N.	Part. N. Pecce N.	Qt.	DESCRIZIONE	DESCRIPTION
1	RPS-966M/429	1	squadretta	bracket
2	RPS-966M/430	4	basetta	base
3	RPS-966M/431	7	raccordo	pipe connection
4	RPS-966M/432	1	nipplo	nipple
5	RPS-966M/433	4	elettrovalvola	electrovalve
6	RPS-966M/434	1	dosatore	dosimeter
7	RPS-966M/435	1	gruppo filtro	filter assembly
8	RPS-966M/436	1	rubinetto	tap
9	RPS-966M/437	1	manometro	manometer
10	RPS-966M/438	1	squadretta	bracket
11	RPS-966M/439	1	valvola	valve

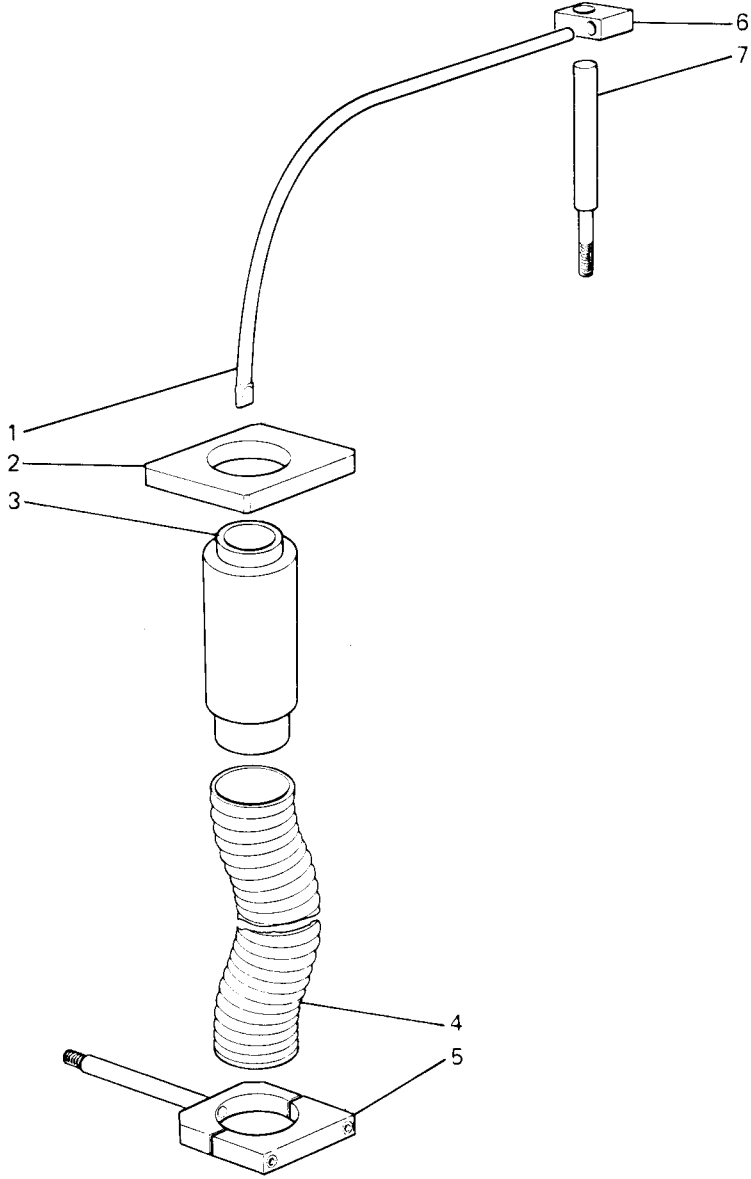


Fig. N.	Part. N. Piecce N.	Qt.	DESCRIZIONE	DESCRIPTION
1	RPS-966M/608B	1	tubetto	tube
2	RPS-966M/605	1	piastra	plate
3	RPS-966M/606	1	cilindro	cylinder
4	RPS-966M/607A	1	tubo	tube
5	RPS-966M/607	1	attacco	bracket
6	RPS-966M/608A	1	blocchetto	block
7	RPS-966M/608	1	perno	pin

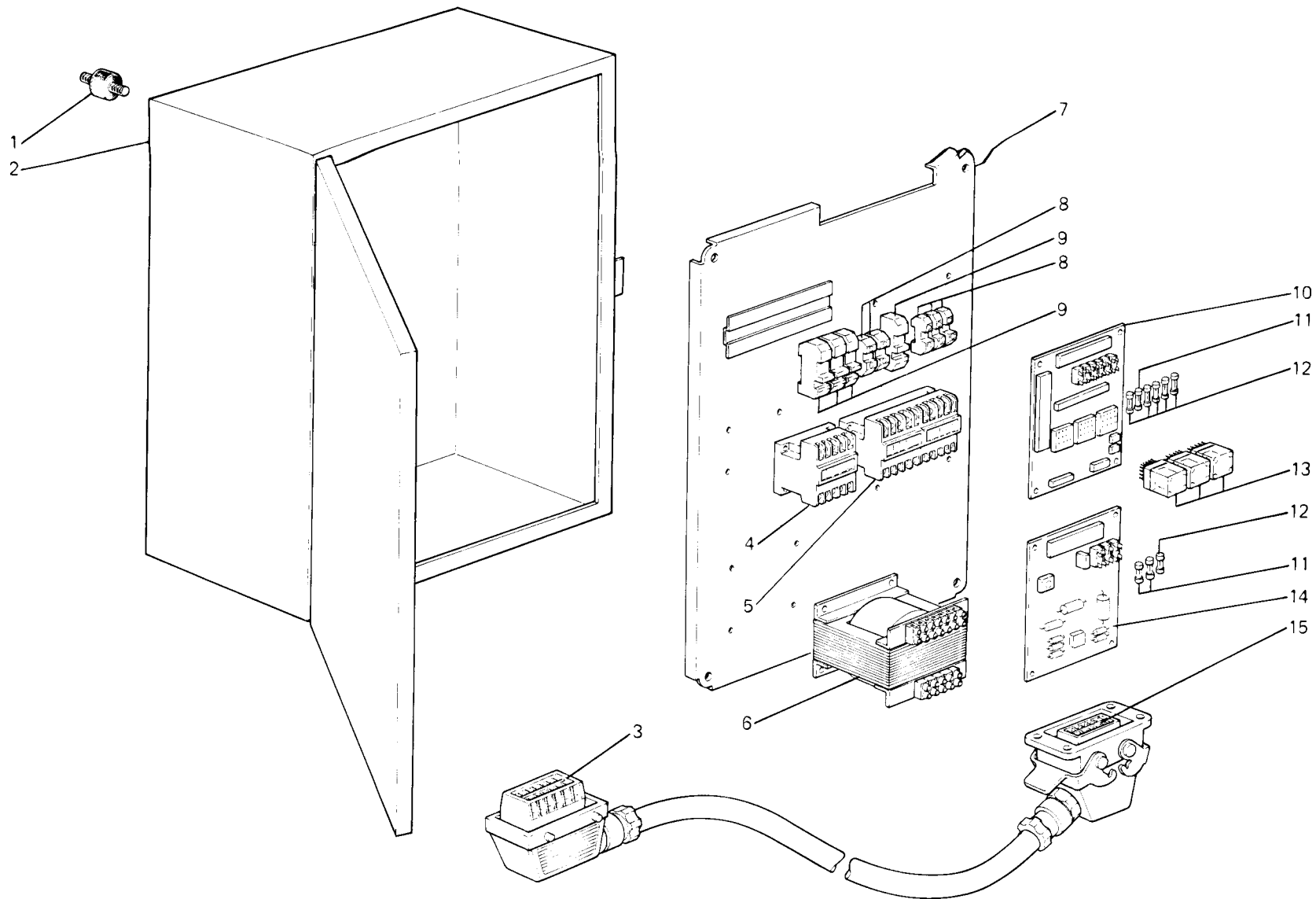


Fig. N.	Part. N. Pecce N.	Qt.	DESCRIZIONE	DESCRIPTION
1	RPS-966M/400	4	ammortizzatore	shock absorber
2	RPS-966M/401	1	scatola elettrica	electric box
3	RPS-966M/402	1	connettore	connection
4	RPS-966M/403	1	teleruttore	electromagnetic switch
5	RPS-966M/404	1	teleruttore	electromagnetic switch
6	RPS-966M/405	1	trasformatore	transformer
7	RPS-966M/406	1	piastra	plate
8	RPS-966M/407	5	morsettiera	junction box
9	RPS-966M/408	4	porta fusibile	holder fuse
10	RPS-966M/409	1	pannello	panel
11	RPS-966M/410	3	fusibile	fuse
12	RPS-966M/411	6	fusibile	fuse
13	RPS-966M/412	3	relé	relay
14	RPS-966M/357	1	pannello	panel
15	RPS-966M/413	1	connettore	connection

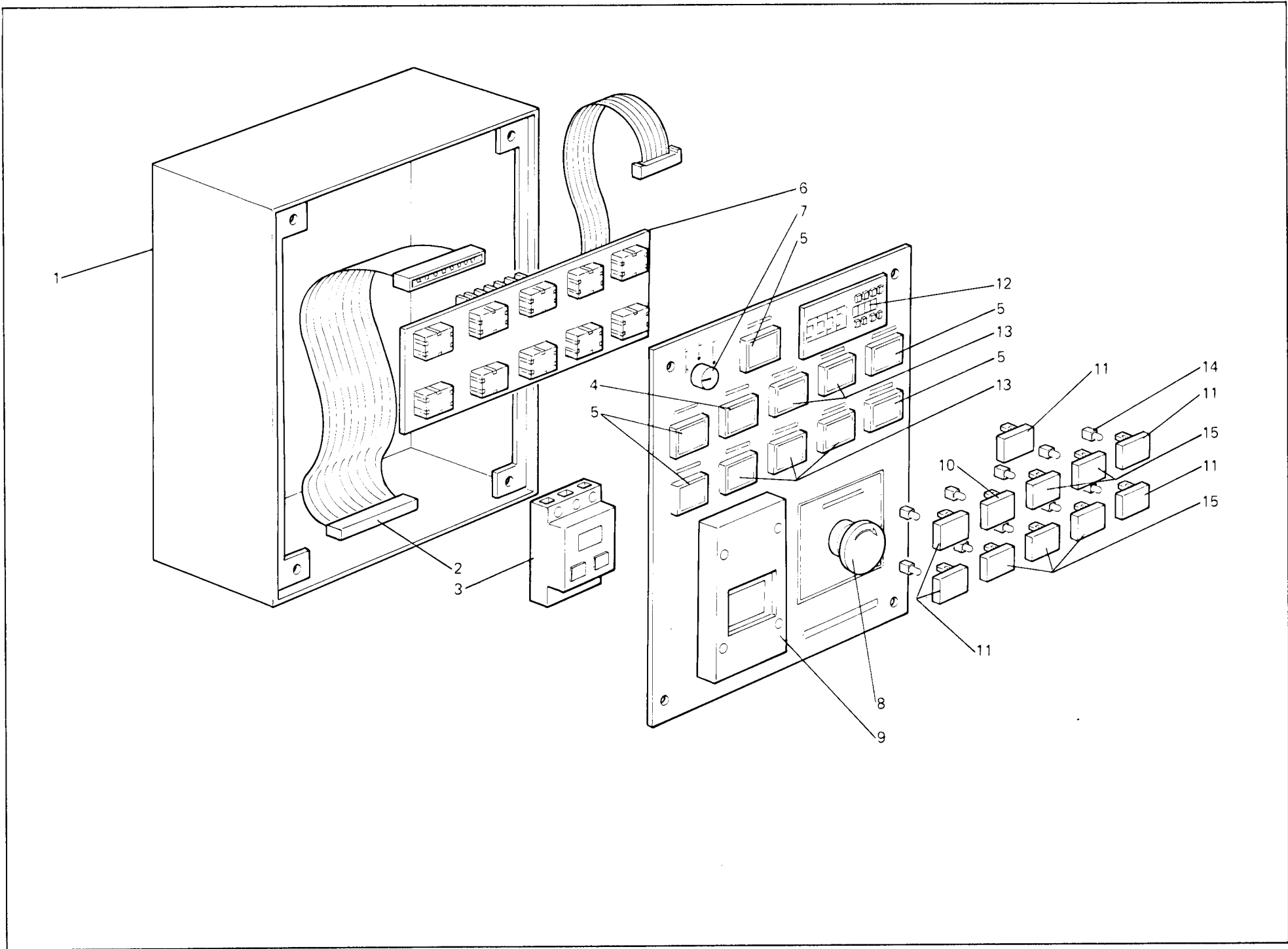


Fig. N.	Part. N. Piece N.	Qt.	DESCRIZIONE	DESCRIPTION
1	RPS-966M/414	1	cassetta elettrica	electrical box
2	RPS-966M/415	1	connettore	connection
3	RPS-966M/416	1	salvatore	motor protection
4	RPS-966M/417	1	pulsante	push-button
5	RPS-966M/418	5	pulsante	push-button
6	RPS-966M/419	1	pannello	panel
7	RPS-966M/420	1	commutatore	commutator
8	RPS-966M/421	1	pulsante	push-button
9	RPS-966M/422	5	coperchio	cover
10	RPS-966M/423	1	gemma	gem
11	RPS-966M/424	5	gemma	gem
12	RPS-966M/425	1	contaimpulsi	counter
13	RPS-966M/426	5	gemma	gem
14	RPS-966M/427	10	lampadina	lamp
15	RPS-966M/428	5	gemma	gem

DISPOSITIVO JERSEY "A RICHIESTA"
JERSEY DEVICE "ON REQUEST"

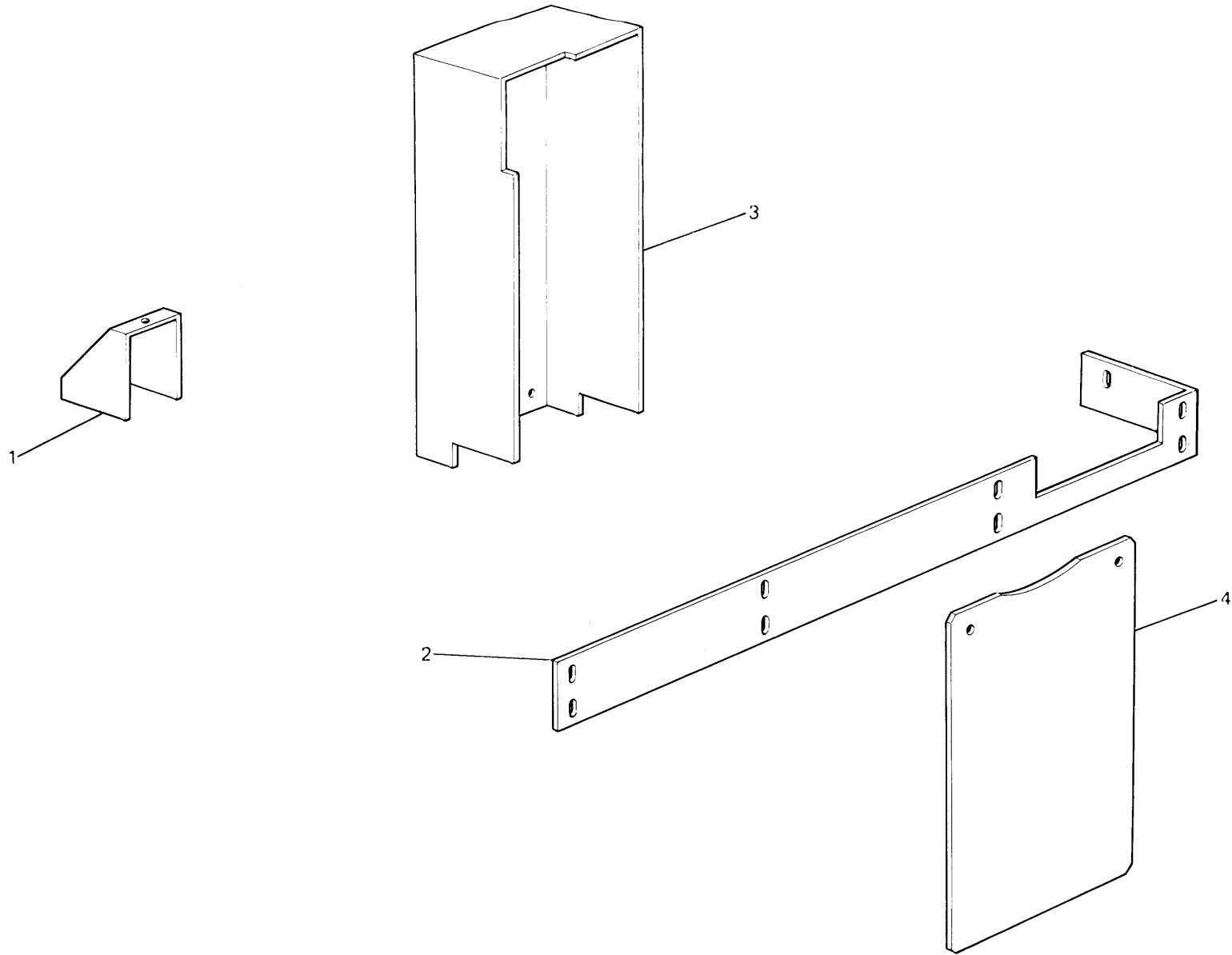


Fig.	Part. N.	Qt.	DESCRIZIONE	DESCRIPTION
1	RPS-966M/540	1	DISPOSITIVO JERSEY "A RICHIESTA" coperchio	JERSEY DEVICE "ON REQUEST" cover
2	RPS-966M/528	1	protezione	protection
3	RPS-966M/529	1	coperchio	cover
4	RPS-966M/541	1	piastra	plate

DISPOSITIVO JERSEY "A RICHIESTA"
JERSEY DEVICE "ON REQUEST"

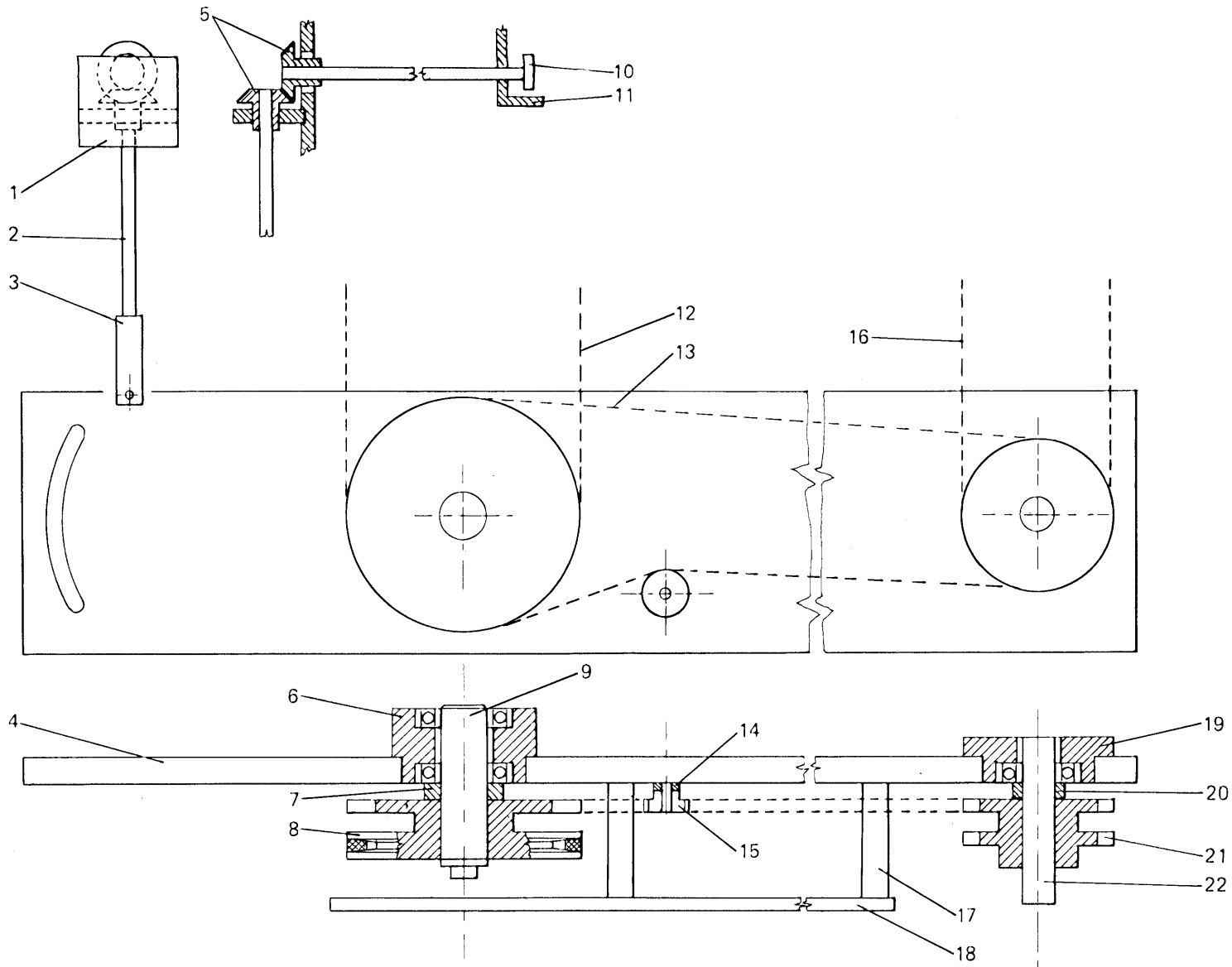


Fig. N.	Part. N. Piece N.	Qt.	DESCRIZIONE	DESCRIPTION
			DISPOSITIVO JERSEY "A RICHIESTA"	JERSEY DEVICE "ON REQUEST"
1	RPS-966M/520	1	squadretta ingranaggi conici	bracket
2	RPS-966M/522	1	vite per tirante piastra	screw
3	RPS-966M/521	1	attacca tirante piastra	bracket
4	RPS-966M/510	1	piastra centrale	central plate
5	RPS-966M/525	2	ingranaggio conico (TPS)	gear
6	RPS-966M/512	1	flangia lato variatore	flange
7	RPS-966M/516A	1	distanziale per albero uscita variatore	spacer
8	RPS-966M/516	1	puleggia con pignone	pulley with pinion
9	RPS-966M/518	1	albero per puleggia variatore	shaft
10	RPS-966M/523	1	distanziale per vite	spacer
11	RPS-966M/524	1	squadretta per albero comando variatore	bracket
12	RPS-966M/544	1	cinghia A 34	belt
13	RPS-966M/543	1	catena P3/8	chain
14	RPS-966M/515	1	distanziale per pignone Z 15	spacer
15	RPS-966M/514	1	pignone Z 15	pinion
16	RPS-966M/542	1	catena P3/8	chain
17	RPS-966M/527	2	distanziale per piastre	spacer
18	RPS-966M/526	1	piastra posteriore	plate
19	RPS-966M/511	1	flangia lato riduttore	flange
20	RPS-966M/517A	1	distanziale per albero uscita riduttore	spacer
21	RPS-966M/513	1	pignone doppio lato riduttore	pinion
22	RPS-966M/517	1	albero uscita riduttore	shaft

DISPOSITIVO JERSEY "A RICHIESTA"
JERSEY DEVICE "ON REQUEST"

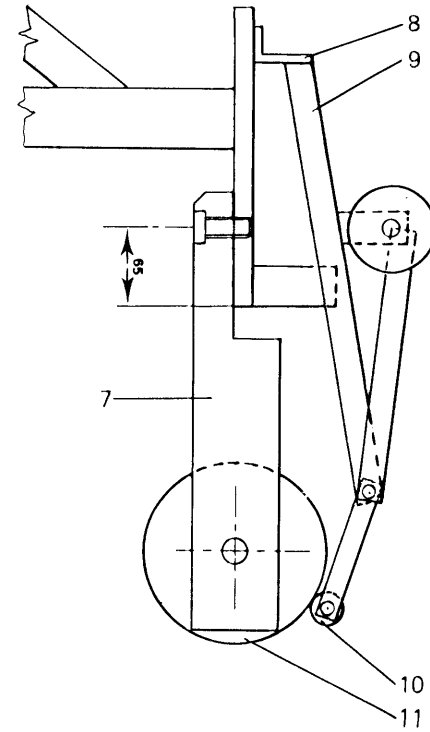
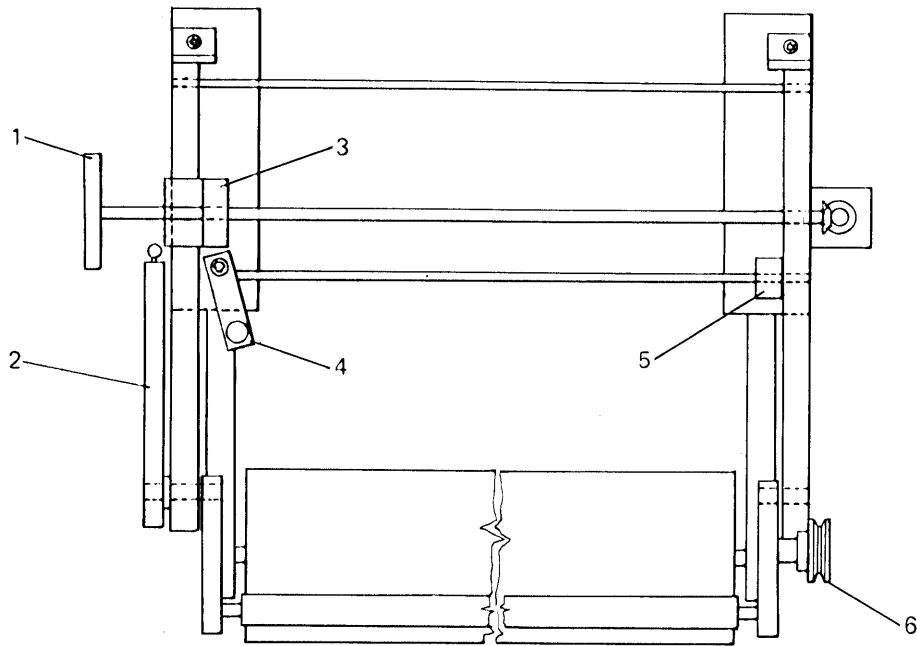


Fig. N.	Part. N. Pezzo N.	Qt.	DESCRIZIONE	DESCRIPTION
			DISPOSITIVO JERSEY "A RICHIESTA"	JERSEY DEVICE "ON REQUEST"
			rotellatura conduttore	handwheel
3	RPS-966M/538	1	anello destro alzacilindri	ring
4	RPS-966M/537	1	leva bloccaggio staffa rullo	lever
5	RPS-966M/539	1	anello sinistro alzacilindri	ring
6	RPS-966M/545	1	puleggia	pulley
7	RPS-966M/530	2	staffa porta rullo conduttore Ø 100	bracket
8	RPS-966M/532	2	squadretta attacco rastrelliera	bracket
9	RPS-966M/535	2	traversa rastrelliera	crosspiece
10	RPS-966M/531	1	rullo superiore di contrasto	roller
11	RPS-966M/530	1	rullo inferiore conduttore	roller

SOLO I PEZZI DI RICAMBIO ORIGINALI RIMOLDI MARCATI **Rim** GARANTISCONO EFFETTIVA INTERCAMBIABILITA' FUNZIONALITA', DURATA.

RIMOLDI ORIGINAL SPARE PARTS MARKED **Rim** ARE THE ONLY ONES WHICH GUARANTEE INTERCHANGEABILITY, FUNCTIONALITY, AND LONG MACHINE LIFE

EXCLUSIVEMENT LES PIECES DE RECHANGE ORIGINALES RIMOLDI MARQUEES **Rim** GARANTISSENT UNE INTERCHANGEABILITE, UN CARACTERE FONCTIONNEL, UNE DUREE EFFECTIFS.

NUR DIE MIT **Rim** MARKIERTEN RIMOLDI-ORIGINALERSATZTEILE GARANTIEREN EINE EFFEKTIVE AUSTAUSCHBARKEIT, ZWECKENTSPRECHENDHEIT, LEBENSDAUER.

SOLO EL EMPLEO EXCLUSIVO DE REPUESTOS RIMOLDI MARCADOS **Rim** ASEGURAN LA CALIDAD DE INTERCAMBIABILIDAD, LA FUNCIONALIDAD Y LA DURACION.

La Rimoldi S.r.l. si riserva il diritto di modificare o variare, per motivi di ordine tecnico o commerciale, i dati riportati nella presente pubblicazione.

Rimoldi S.r.l. reserves the right to modify or vary, for technical or commercial reasons, the information printed in this brochure.

Rimoldi S.r.l. se réserve le droit de modifier ou changer les données énoncées sur la présente publication pour tous motifs d'ordre technique ou commercial.

Rimoldi S.r.l. kann jederzeit aus technischen oder kommerziellen Gründen Änderungen an den in diesem Heft beschriebenen Erzeugnissen vornehmen.

Rimoldi S.r.l. se reserva el derecho de modificar o variar, por motivos técnicos o comerciales, los datos aquí publicados.

DIRITTI RISERVATI: Nessuna riproduzione è permessa senza previa autorizzazione scritta della Rimoldi S.r.l.

ALL RIGHTS RESERVED: Reproduction in whole or in part is forbidden unless expressly authorized in writing by Rimoldi S.r.l.

DROIT RESERVES: Toute reproduction est interdite sans autorisation préalable écrite de Rimoldi S.r.l.

DERECHOS RESERVADOS: Se prohíbe la reproducción total o parcial sin previa autorización escrita de Rimoldi S.r.l.

VORBEHALTENE RECHTE: Keinerlei Widergabe ist ohne vorausgehender schriftlicher Genehmigung seitens der Rimoldi S.r.l. gestattet.