

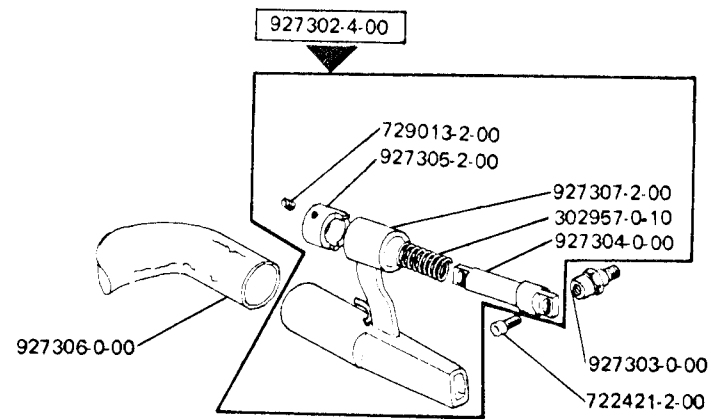
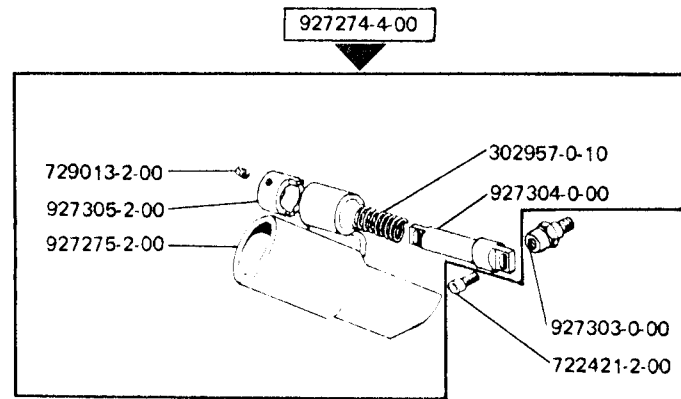
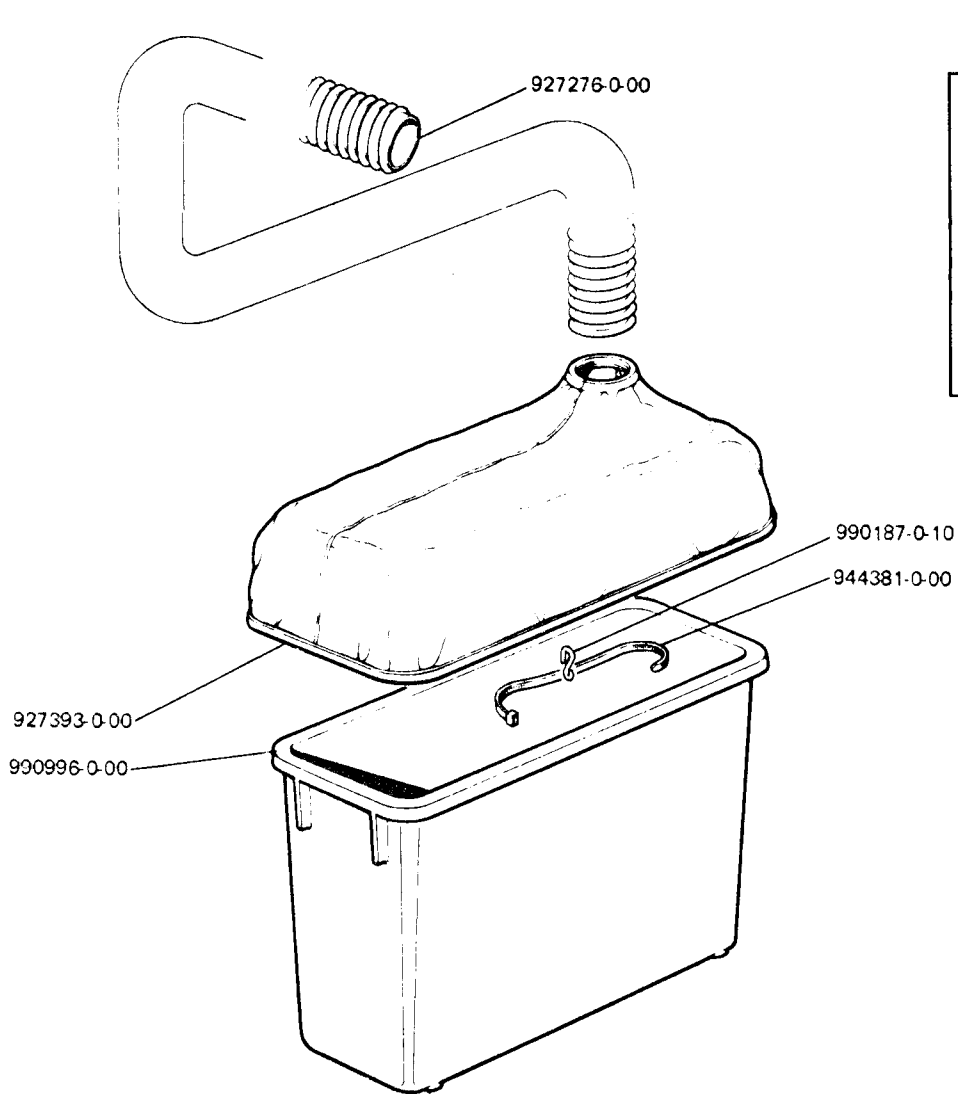
871-01  
(164-10+157-30+154-81)

PRINTED IN ITALY BY FEOPRINT - MILANO

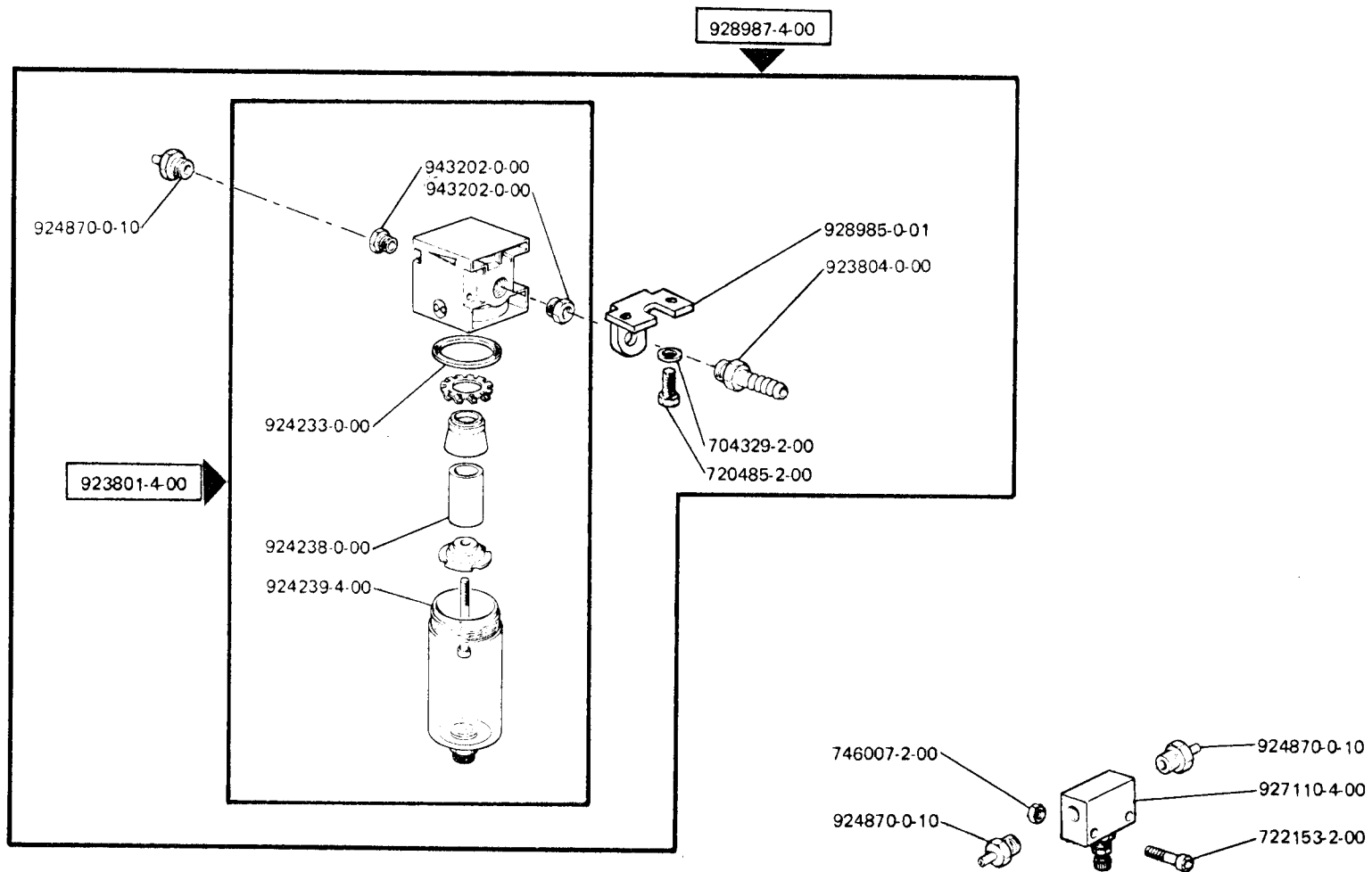
1a EDIZIONE-EDITION 9/89

**n. 481**

PER TESTE	183-00-4MR-01
FOR HEADS	183-00-4MR-02
POUR TETES	183-00-4MR-03
	183-00-4MR-04
	183-00-4MR-05
	183-00-4MR-06
	183-00-4MR-07
	183-00-4MR-08
	183-00-4MR-09
	183-00-4MR-10
	183-00-4MR-13



A RICHIESTA - ON REQUEST - SUR DEMANDE



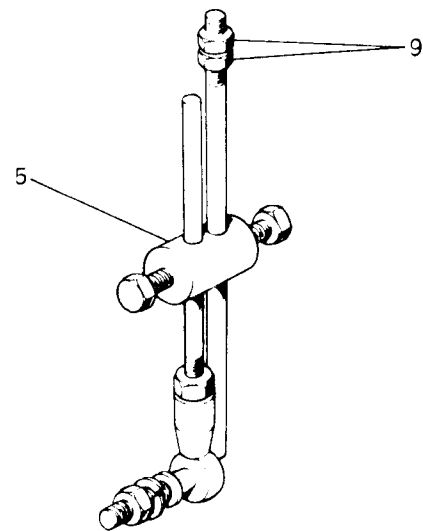
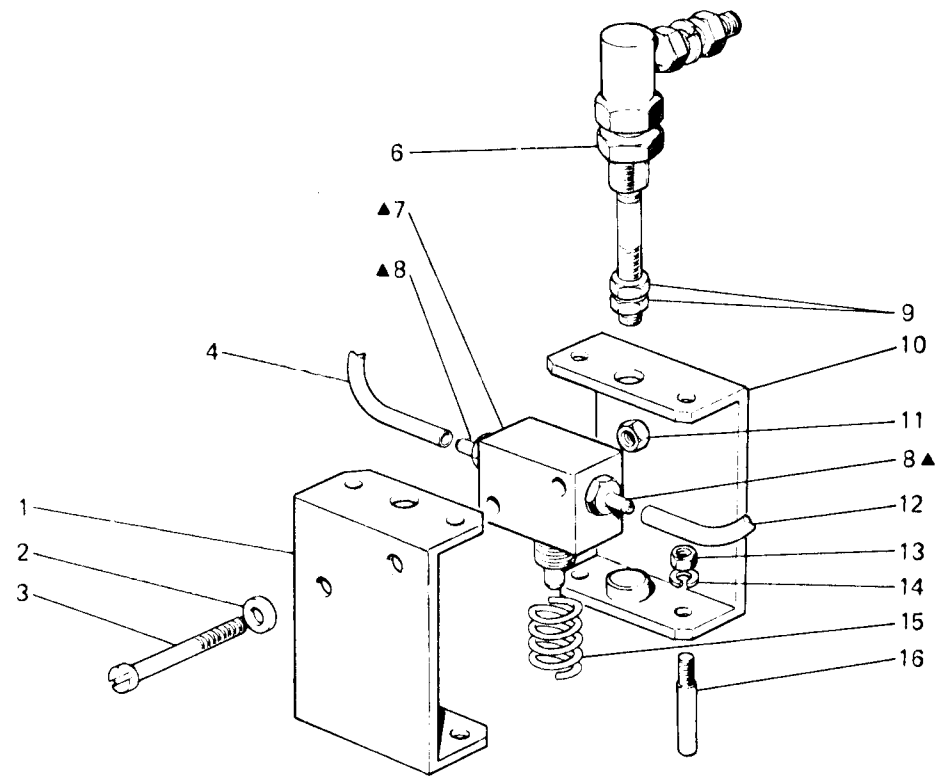


Fig. N. Abb. N.	Part. N. Bestell N. Piece N.	Qt. Anzahl	DESCRIZIONE	DESCRIPTION	DESCRIPTION	BENENNUNG	DESCRIPCION
—	922365-4-01	1	tirante completo ( escluso figg. 4-12)	tie-rod assembly ( excluded figg. 4-12 )	tirant complet ( exclu figg. 4-12 )		
▲	922368-4-01	1	valvola completa	valve assembly	soupape complète		
1	922373-0-00	1	staffa	bracket	bride		
2	704306-2-00	2	rondella	washer	rondelle		
3	721086-2-00	2	vite	screw	vis		
4	790547-0-00	1	tubetto per banc. regolabile	pipe	tube		
5	790561-0-00	1	tubetto per banc. a colonna	pipe	tube		
6	922366-0-00	1	tirante	tie-rod	tirant		
7	922367-0-00	1	valvola	valve	soupape		
8	924870-0-00	2	attacco	pipe	raccord		
9	746204-2-00	4	dado	nut	écrou		
10	922370-2-00	1	staffa	bracket	bride		
11	733505-2-00	2	dado	nut	écrou		
12	790537-0-00	1	tubetto	pipe	tube		
13	746002-2-00	4	dado	nut	écrou		
14	703203-0-00	4	rondella elastica	spring washer	rondelle élastique		
15	922369-0-00	1	molfa	spring	ressort		
16	922374-0-00	4	spina	pin	goupille		

157 - 30

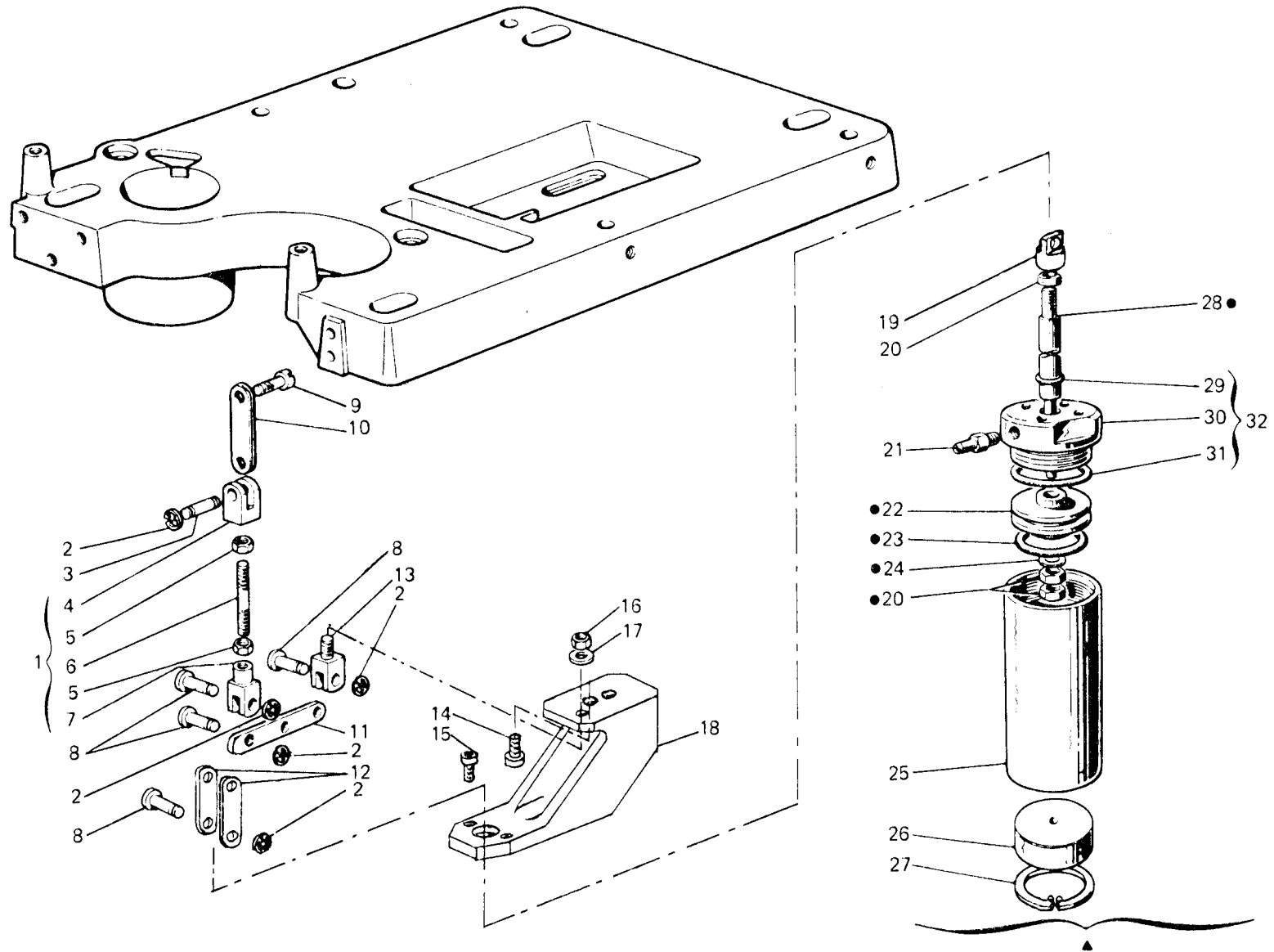
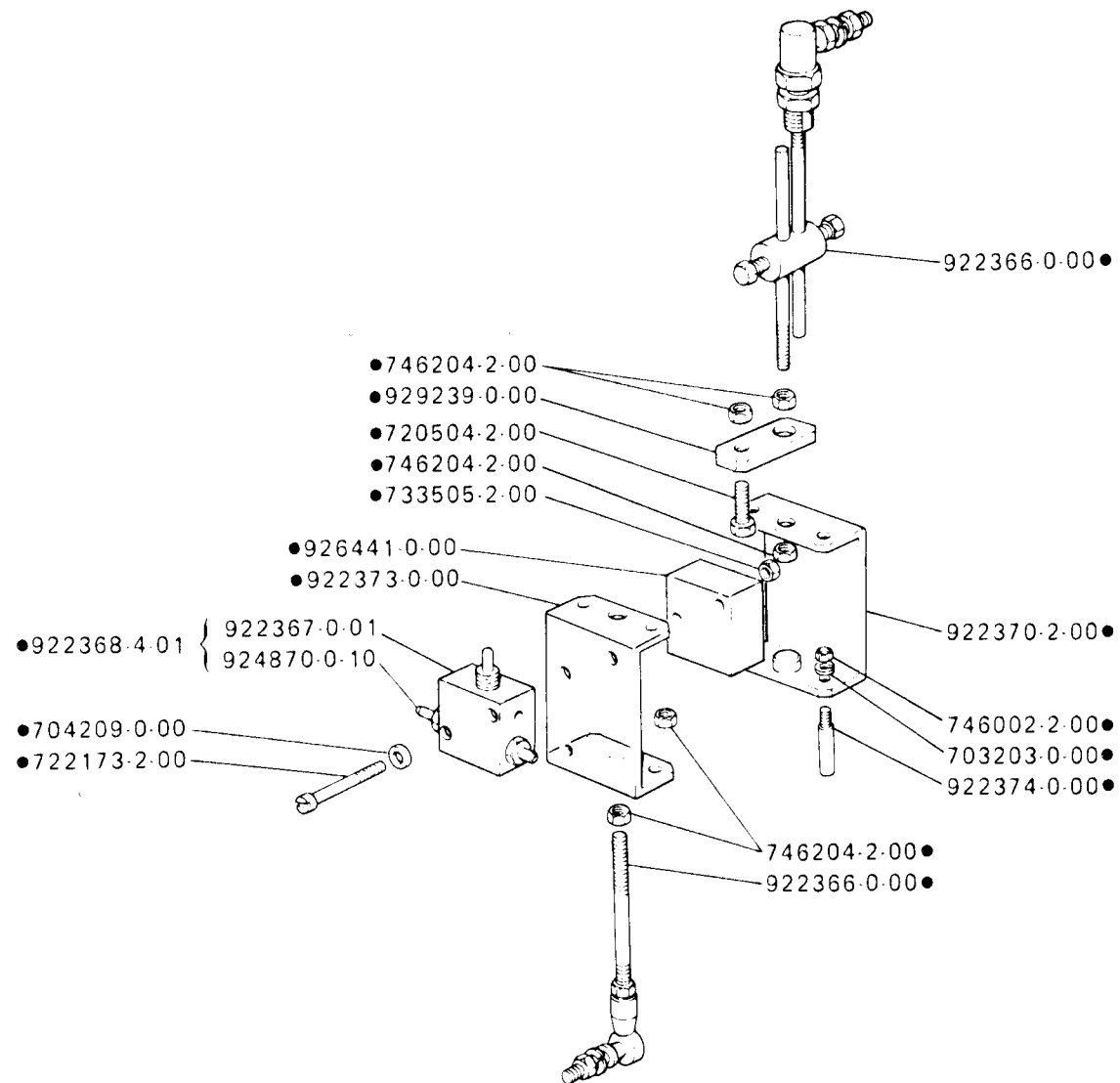
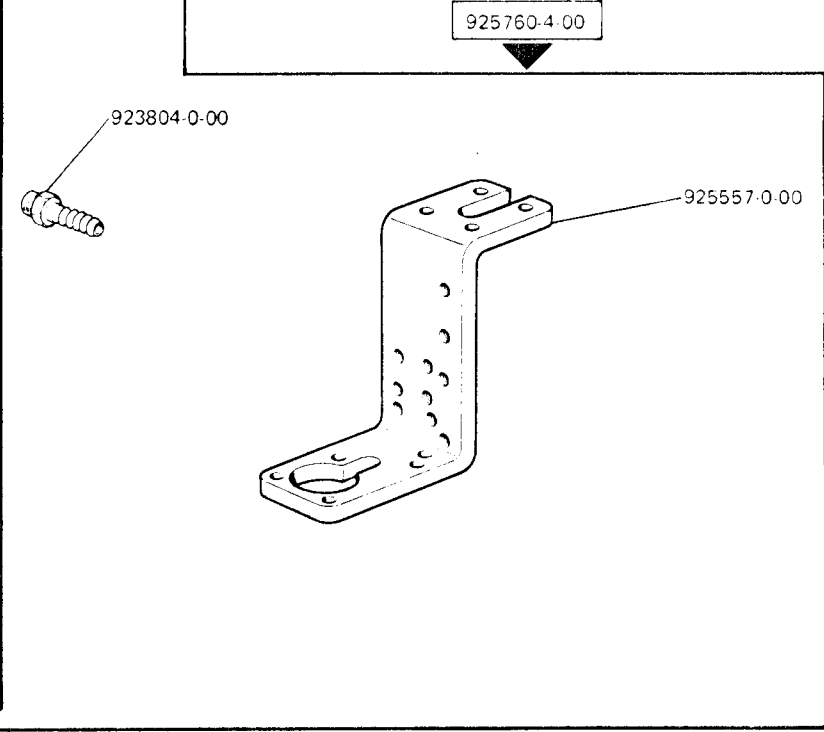
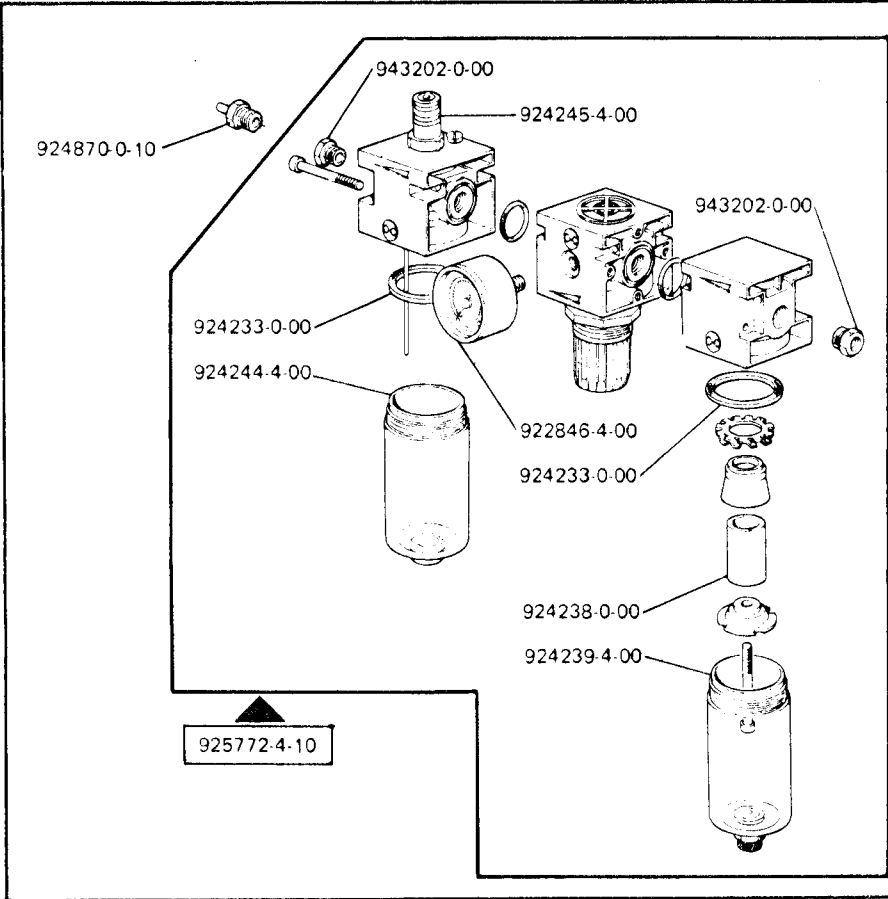


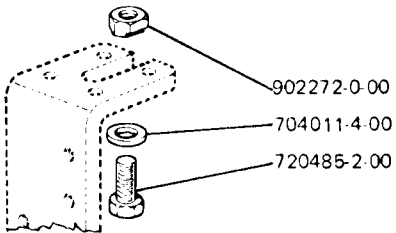


Fig. N. Abb. N.	Part. N. Bestell N. Piecze N. Pieza N.	Qt. Anzahl	DESCRIZIONE	DESCRIPTION	DESCRIPTION	BENENNUNG	DESCRIPCION
▲	927283-4-00	1	cilindro completo	cylinder assembly	cylindre complet		
●	924805-4-10	1	pistone completo	piston assembly	piston complet		
1	902056-4-10	1	tirante completo	tie-rod assembly	tirant complet		
2	700205-0-00	6	anello elastico	spring ring	anneau ressort		
3	927286-0-00	1	perno	pin	pivot		
4	902064-0-00	1	forcella	fork	fourche		
5	746402-2-00	2	dado	nut	écrou		
6	902059-0-00	1	tirante	tie-rod	tirant		
7	990310-0-10	1	forcella	fork	fourche		
8	990311-0-10	4	perno	pin	pivot		
9	902065-0-00	1	vite	screw	vis		
10	925765-0-00	2	giunto	joint	joint		
11	927285-0-00	1	leva	lever	levier		
12	990765-0-00	2	piastrina	plate	plaque		
13	990314-0-10	1	forcella	fork	fourche		
14	722463-2-00	2	vite	screw	vis		
15	722441-2-00	2	vite	screw	vis		
16	746409-2-00	1	dado	nut	écrou		
17	704424-2-00	1	rondella	washer	rondelle		
18	927287-0-00	1	supporto	support	support		
19	927284-0-00	1	perno	pin	pivot		
20	746402-2-00	3	dado	nut	écrou		
21	924797-0-10	1	attacco	pipe connection	raccord		
22	924804-0-10	1	pistone	piston	piston		
23	701037-0-00	1	anello di tenuta	retainer ring	anneau d'étanchéité		
24	704218-2-00	1	rondella	washer	rondelle		
25	924802-0-10	1	cilindro	cylinder	cylindre		
26	924407-0-01	1	tappo inferiore	lower plug	bouchon inférieur		
27	700130-0-00	1	anello di fermo	ring	anneau		
28	924808-0-10	1	albero	shaft	arbre		
29	701007-0-00	1	anello di tenuta	retainer ring	anneau d'étanchéité		
30	924806-0-10	1	tappo superiore	upper plug	bouchon supérieur		
31	701132-0-00	1	anello di tenuta	retainer ring	anneau d'étanchéité		
32	924807-4-10	1	tappo completo	plug assembly	bouchon complet		

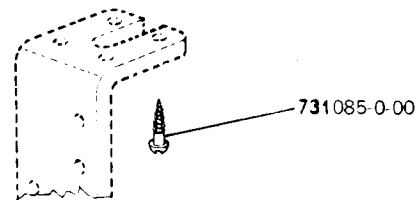




PER BANCALE REGOLABILE  
 FOR ADJUSTABLE STAND  
 POUR BATI REGLABLE

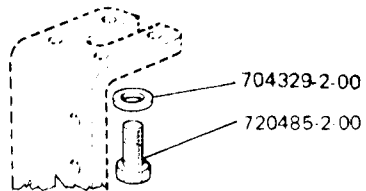
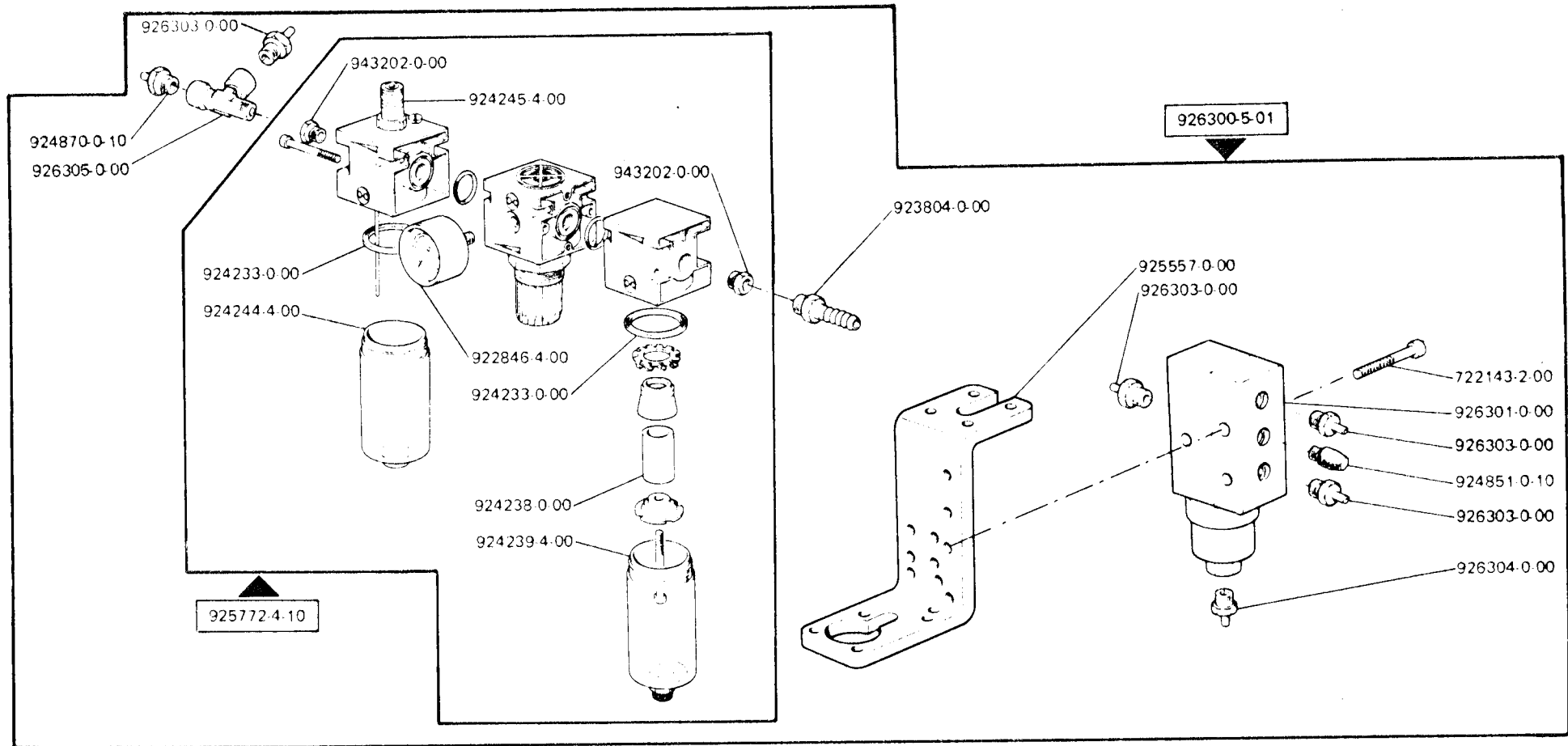


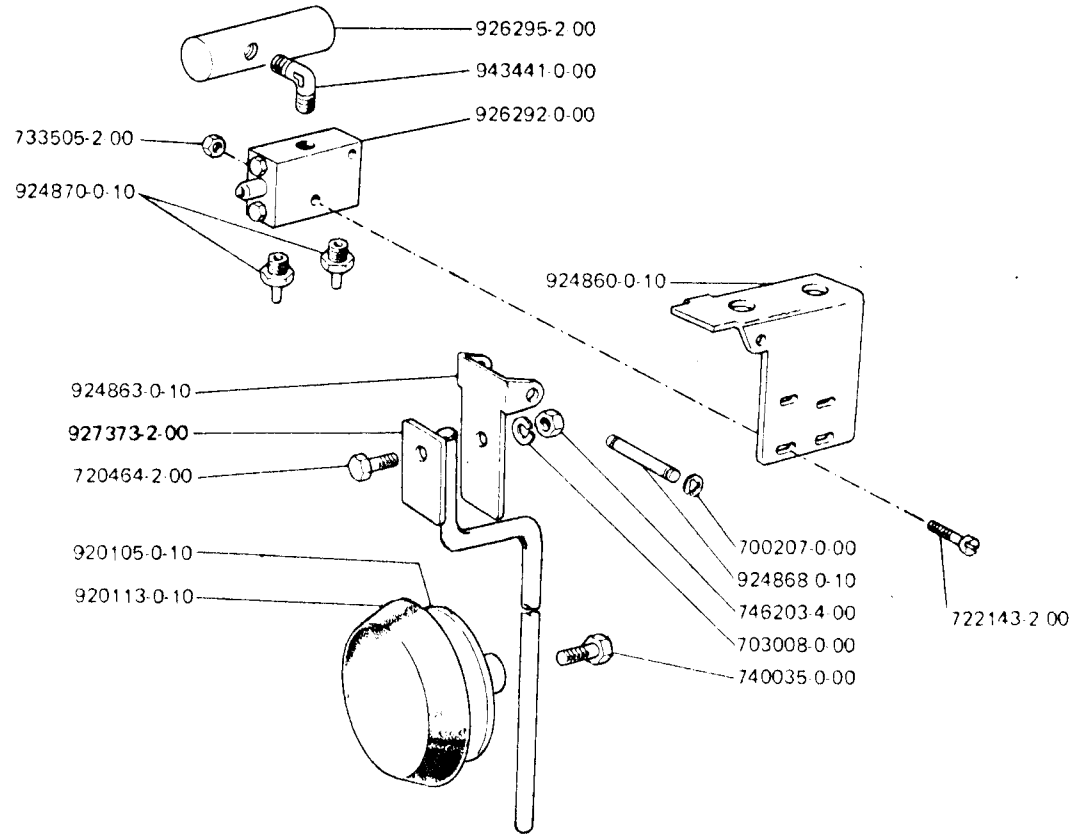
PER BANCALE A COLONNA  
 FOR COLUMN STAND  
 POUR BATI A COLONNE



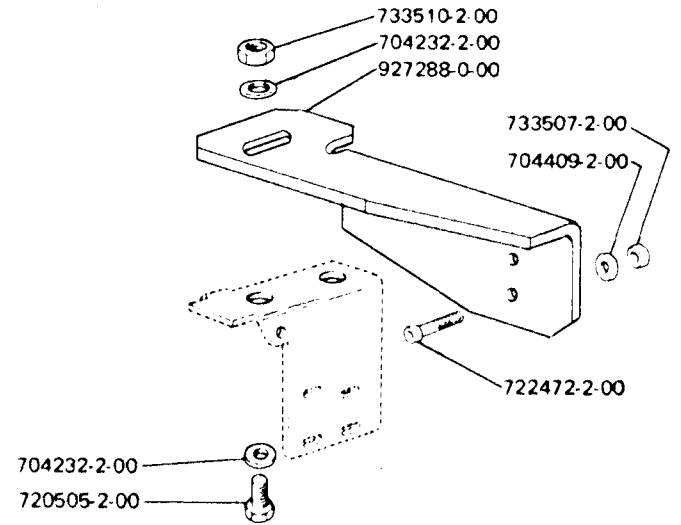
PER TESTE	183-00-4MR-01
FOR HEADS	183-01-4MR-01
POUR TETES	

164 - 10



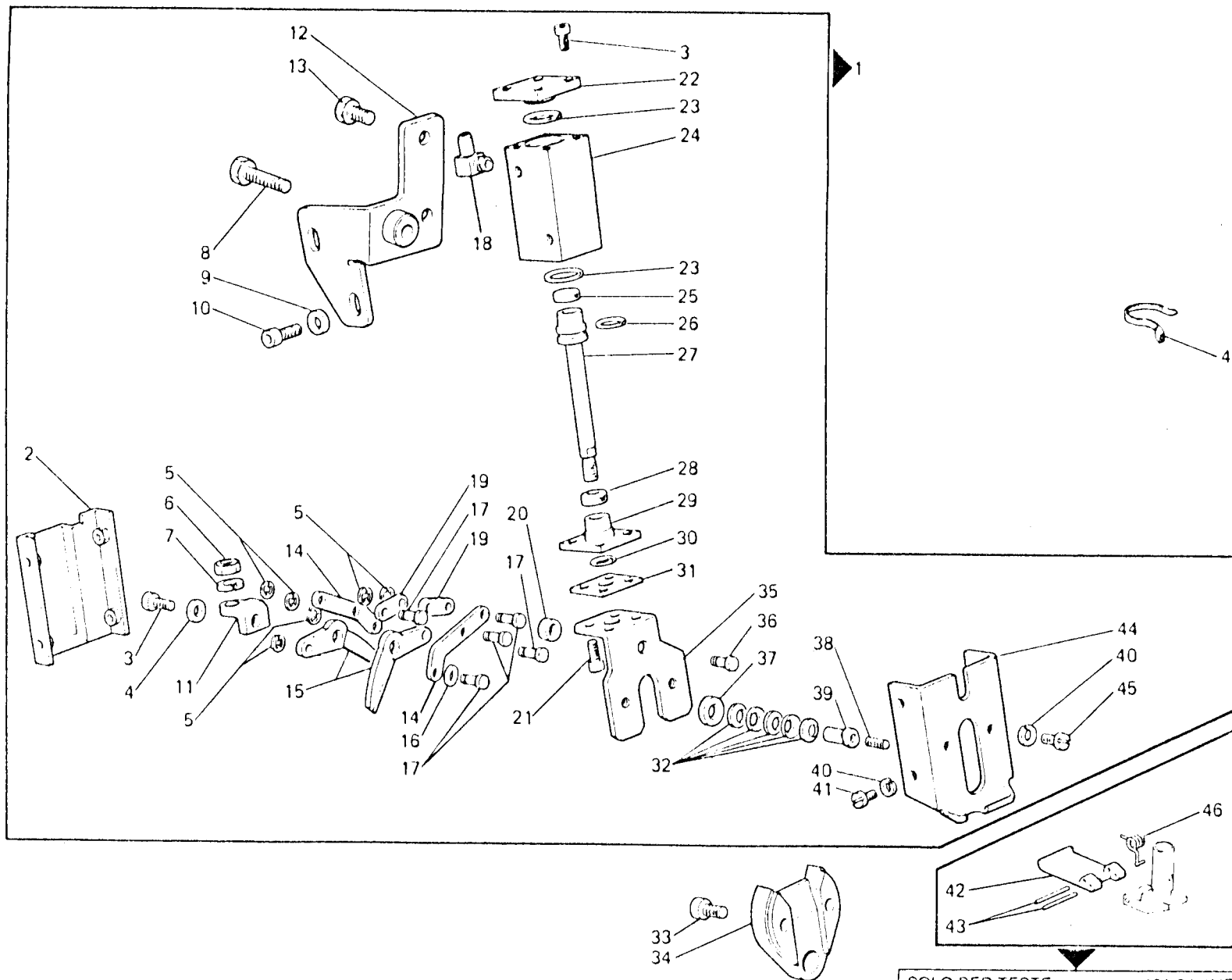


927371-4-00



# Rim<sup>®</sup> TAV. 3

Fig. N.	Part. N. / Piece N.	Qt.
1	929566-4-00	1
2	927482-2-00	1
3	722410-5-00	5
4	704206-2-00	1
5	700205-0-00	6
6	746407-2-00	1
7	703008-0-00	1
8	720504-2-00	1
9	704104-2-00	2
10	722420-2-00	2
11	927038-0-00	1
12	927480-0-00	1
13	720454-2-00	1
14	929194-0-00	2
15	929197-0-02	2
16	704205-2-00	8
17	303767-0-11	5
18	926409-0-01	2
19	929193-0-00	2
20	929196-0-00	1
21	722420-5-00	1
22	929564-0-00	1
23	701030-0-00	2
24	929565-0-00	1
25	929563-0-00	1
26	701109-0-00	1
27	929560-0-00	1
28	929562-0-00	1
29	929561-0-00	1
30	701006-0-00	1
31	929190-0-00	1
32	702406-0-00	5
33	722432-2-00	2
34	927485-0-00	1
35	927265-0-01	1
36	929195-0-01	1
37	705213-0-00	1
38	729031-5-00	1
39	929198-0-01	1
40	703203-0-00	6
41	741642-5-00	4
42	927426-0-00	1
43	927498-0-00	2
44	927483-0-00	1
45	741620-5-00	2
46	927427-0-00	1
47	920258-0-10	10



SOLO PER TESTE 181-34-4MR-01  
 ONLY FOR HEADS 183-00-4MR-01  
 SEULEMENT POUR TETES 183-00-4MR-02  
 183-00-4MR-03  
 183-00-4MR-04  
 183-00-4MR-05  
 183-00-4MR-06  
 183-00-4MR-07  
 183-00-4MR-08  
 183-00-4MR-10  
 183-01-4MR-02