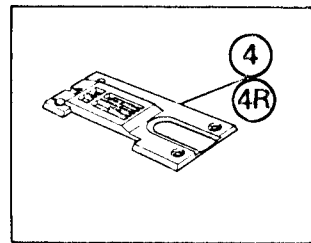
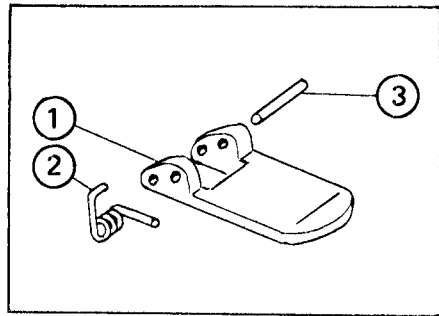
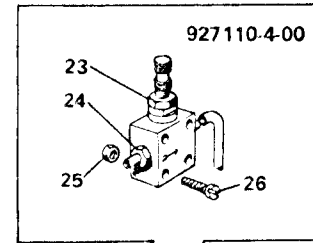


802-11	PER TESTE	183-00-4MR-01	184-00-2CA-01
	FOR HEADS	183-00-4MR-02	184-00-2CA-03
	POUR TETES	183-00-4MR-03	184-00-2CA-11
		183-00-4MR-04	184-00-2CA-12
		183-00-4MR-05	184-00-2MK-01
		183-00-4MR-06	184-00-3LK-01
		183-00-4MR-07	184-00-3LK-02
		183-00-4MR-08	184-00-3LK-11
		183-00-4MR-10	184-00-3LK-12
		183-00-4MR-13	

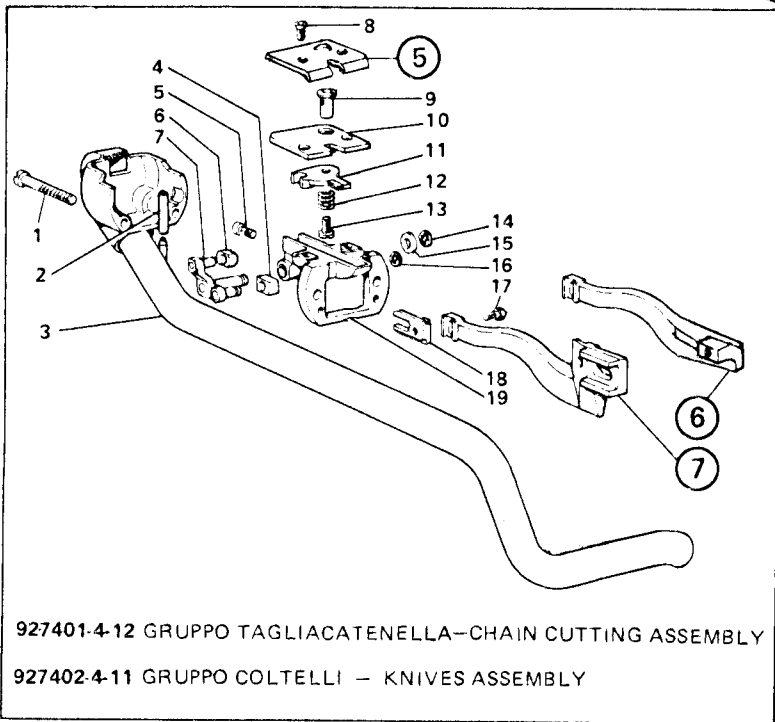
802-11



4R = A richiesta - On request - Sur demande

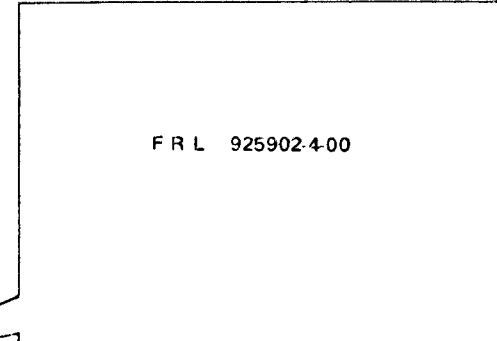
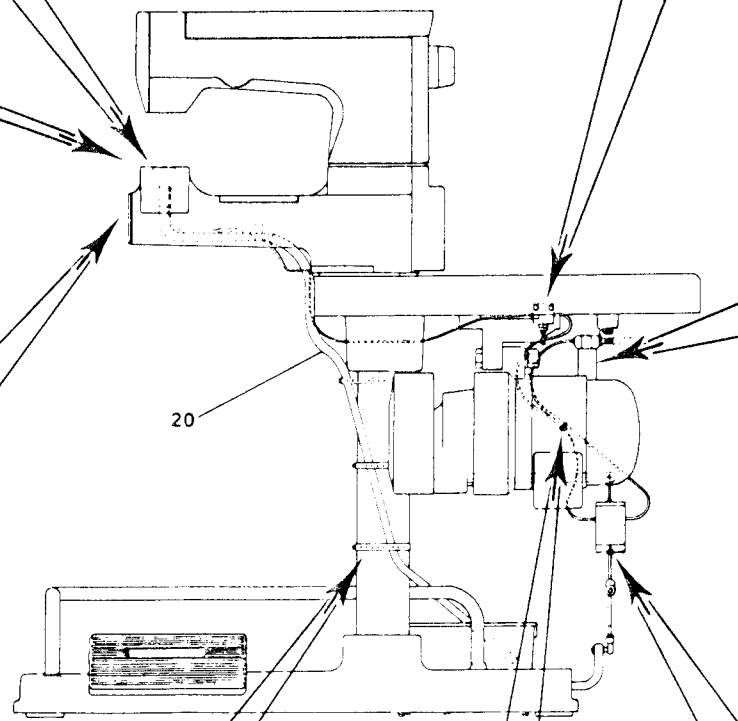


927110-4-00

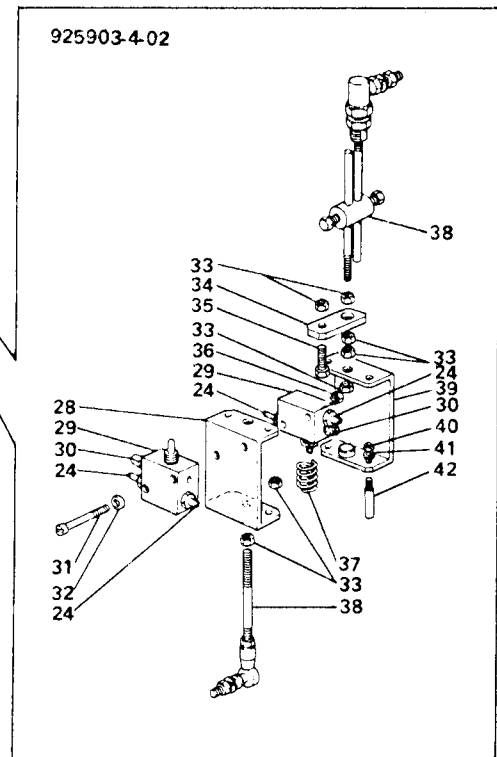


927401-4-12 GRUPPO TAGLIACATENELLA - CHAIN CUTTING ASSEMBLY

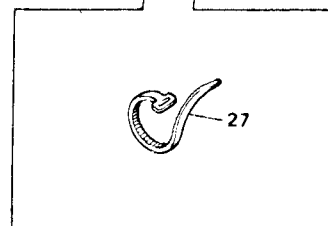
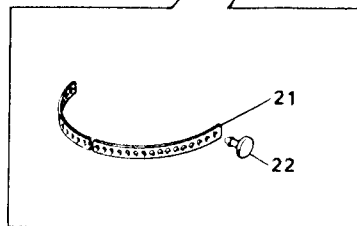
927402-4-11 GRUPPO COLTELLI - KNIVES ASSEMBLY



F R L 925902-4-00



925903-4-02



Rif.	Simb.
1	722122-0-00
2	790596-0-00
3	927413-2-10
4	927439-0-01
5	742027-2-00
6	927440-0-00
7	927409-2-11
8	744922-2-00
9	928532-0-02
10	927403-2-01
11	927404-2-10
12	923918-0-01
13	926758-0-00
14	700004-0-00
15	704802-0-00
16	700205-0-00
17	740240-0-00
18	927410-0-10
19	927406-2-02
20	927408-0-00
21	990441-0-10
22	990442-0-10
23	923800-0-00
24	924870-0-10
25	746007-2-00
26	722153-2-00
27	920258-0-10
28	922373-0-00
29	922367-0-02
30	931195-0-00
31	722173-2-00
32	704209-0-00
33	746204-2-00
34	929239-0-00
35	720504-2-00
36	733505-2-00
37	922369-0-00
38	922366-0-00
39	922370-2-00
40	746002-2-00
41	703203-0-00
42	922374-0-00

	①	②	③	④	④R	⑤	⑥	⑦	
183-00-4MR-01	927426-0-00	927427-0-00	927498-0-00	927320-4-00	—	—	927375-0-00	—	927411-0-00
183-00-4MR-02	927426-0-00	927427-0-00	927498-0-00	927318-4-00	—	—	927375-0-00	—	927411-0-00
183-00-4MR-03	927426-0-00	927427-0-00	927498-0-00	927320-4-00	—	—	927376-0-00	—	927411-0-00
183-00-4MR-04	927426-0-00	927427-0-00	927498-0-00	927318-4-00	—	—	927376-0-00	—	927411-0-00
183-00-4MR-05	927426-0-00	927427-0-00	927498-0-00	927320-4-00	—	—	927375-0-00	—	927411-0-00
183-00-4MR-06	927426-0-00	927427-0-00	927498-0-00	927418-4-00	—	—	927375-0-00	—	927411-0-00
183-00-4MR-07	927426-0-00	927427-0-00	927498-0-00	927320-4-00	—	—	927376-0-00	—	927411-0-00
183-00-4MR-08	927426-0-00	927427-0-00	927498-0-00	927418-4-00	—	—	927376-0-00	—	927411-0-00
183-00-4MR-10	927426-0-00	927427-0-00	927498-0-00	927320-4-00	—	—	927375-0-00	—	927411-0-00
183-00-4MR-13	927426-0-00	927427-0-00	927498-0-00	927320-4-00	—	—	927376-0-00	—	927411-0-00
184-00-2CA-01	—	—	—	927424-0-00	—	—	927378-0-00	—	927423-0-00
184-00-2CA-03	—	—	—	927420-0-10	—	—	927378-0-00	—	927423-0-00
184-00-2CA-11	—	—	—	927424-0-00	—	—	927378-0-00	—	927423-0-00
184-00-2CA-12	—	—	—	927421-0-10	—	—	927378-0-00	—	927423-0-00
184-00-2MK-01	—	—	—	927374-0-10	—	—	927378-0-00	927438-0-00	927437-0-00
184-00-3LK-01	—	—	—	927326-0-00	927327-0-00	927328-0-00	927377-0-00	—	927423-0-00
184-00-3LK-02	—	—	—	927324-0-00	927323-0-00	927325-0-00	927377-0-00	—	927423-0-00
184-00-3LK-11	—	—	—	927326-0-00	927328-0-00	—	927377-0-00	927438-0-00	927437-0-00
184-00-3LK-12	—	—	—	927324-0-00	927323-0-00	—	927377-0-00	927438-0-00	927437-0-00

④R = A richiesta - On request - Sur demande

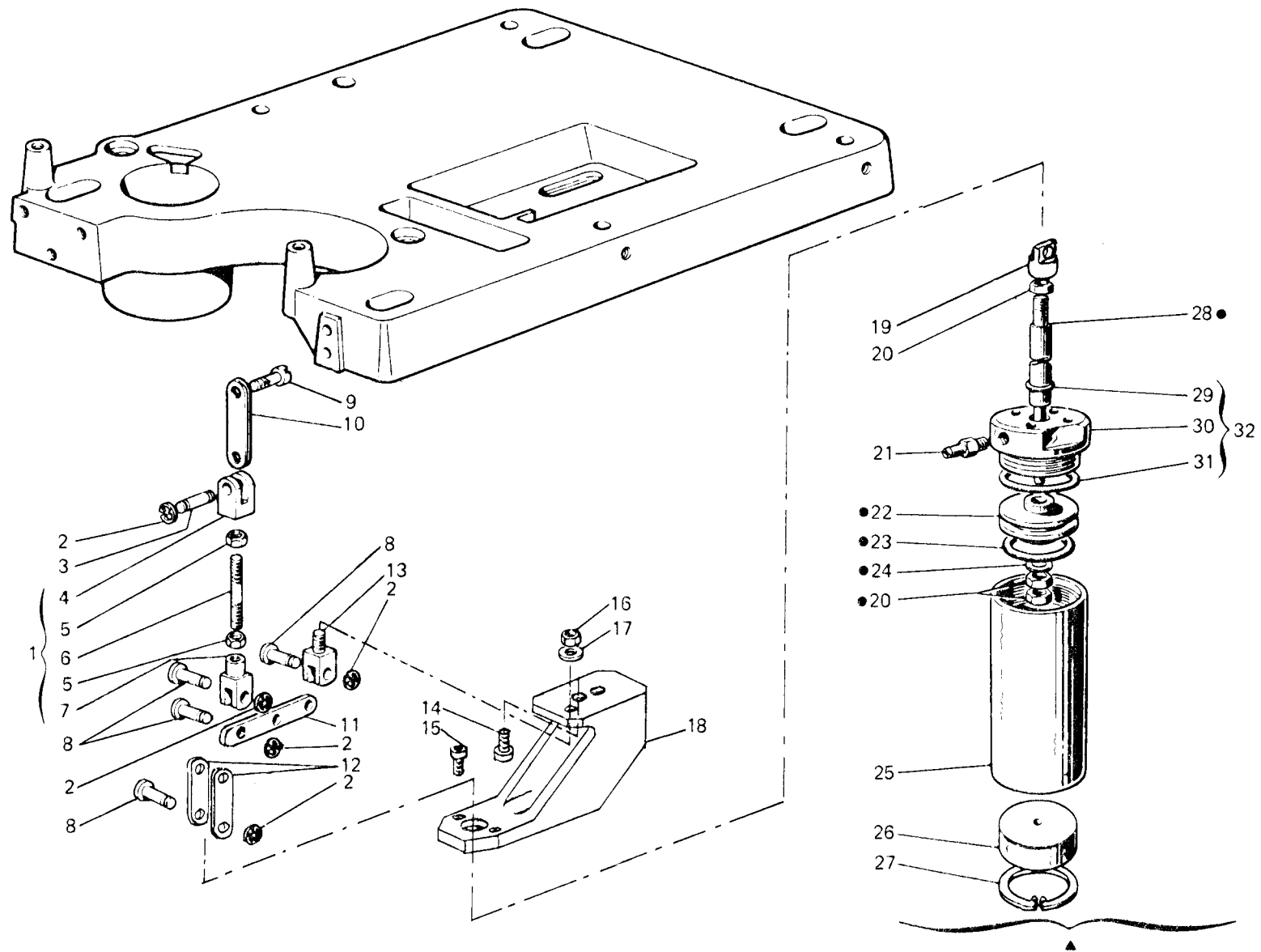


Fig. N. Abb. N.	Part. N. Bestell. N. Piece N. Pieza N.	Qt. Anzahl	DESCRIZIONE	DESCRIPTION	DESCRIPTION	BENENNUNG	DESCRIPCION
▲	927283-4-00	1	cilindro completo	cylinder assembly	cylindre complet		
●	924805-4-10	1	pistone completo	piston assembly	piston complet		
1	902056-4-10	1	tirante completo	tie-rod assembly	tirant complet		
2	700205-0-00	6	anello elastico	spring ring	anneau ressort		
3	927286-0-00	1	perno	pin	pivot		
4	902064-0-00	1	forcella	fork	fourche		
5	746402-2-00	2	dado	nut	écrou		
6	902059-0-00	1	tirante	tie-rod	tirant		
7	990310-0-10	1	forcella	fork	fourche		
8	990311-0-10	4	perno	pin	pivot		
9	902065-0-00	1	vite	screw	vis		
10	925765-0-00	2	giunto	joint	joint		
11	927285-0-00	1	leva	lever	levier		
12	990765-0-00	2	piastrina	plate	plaque		
13	990314-0-10	1	forcella	fork	fourche		
14	722463-2-00	2	vite	screw	vis		
15	722441-2-00	2	vite	screw	vis		
16	746409-2-00	1	dado	nut	écrou		
17	704424-2-00	1	rondella	washer	rondelle		
18	927287-0-00	1	supporto	support	support		
19	927284-0-00	1	perno	pin	pivot		
20	746402-2-00	3	dado	nut	écrou		
21	924797-0-10	1	attacco	pipe connection	raccord		
22	924804-0-10	1	pistone	piston	piston		
23	701037-0-00	1	anello di tenuta	retainer ring	anneau d'étanchéité		
24	704218-2-00	1	rondella	washer	rondelle		
25	924802-0-10	1	cilindro	cylinder	cylindre		
26	924407-0-01	1	tappo inferiore	lower plug	bouchone inférieur		
27	700130-0-00	1	anello di fermo	ring	anneau		
28	924808-0-10	1	albero	shaft	arbre		
29	701007-0-00	1	anello di tenuta	retainer ring	anneau d'étanchéité		
30	924806-0-10	1	tappo superiore	upper plug	bouchone supérieur		
31	701132-0-00	1	anello di tenuta	retainer ring	anneau d'étanchéité		
32	924807-4-10	1	tappo completo	plug assembly	bouchon complet		

	①	②	③	④	⑤	⑥
METALWORK COLORE ARANCIO ORANGE COLOUR COLEUR ORANGE	924245-4-00	924233-0-00	924244-4-00	924238-0-00	924239-4-00	931437-2-00
STAMPOTECNICA COLORE NERO BLACK COLOUR COLEUR NOIRE	925199-4-00	701133-0-00	925198-4-00	925196-0-00	925197-4-00	925913-2-00

