

Rimoldi®

CATALOGO PEZZI DI RICAMBIO **Rim®**

Rim® SPARE PARTS CATALOGUE

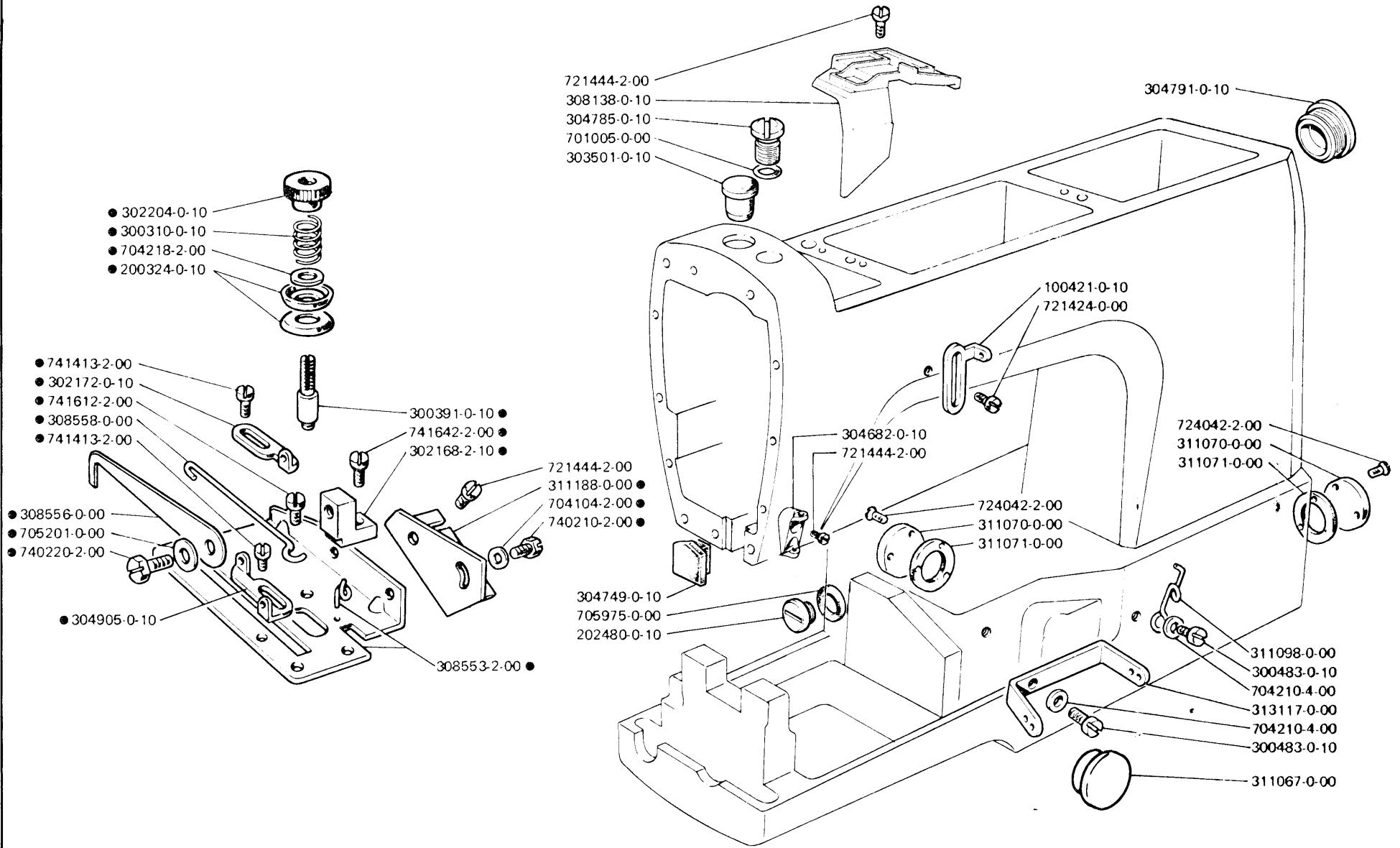
CATALOGUE RECHANGES **Rim®**

177-10-1MK-50

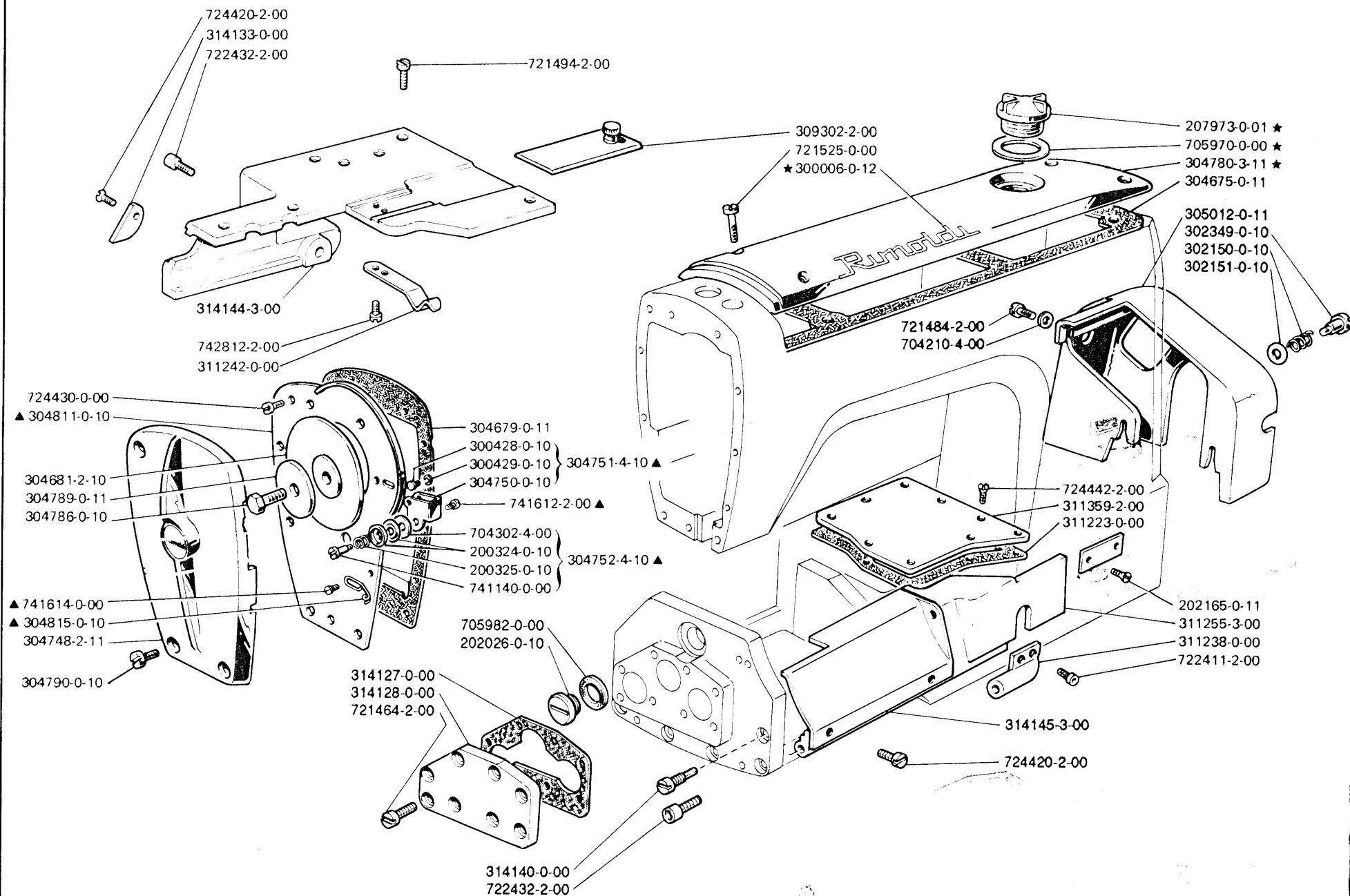
1a EDIZIONE-EDITION 5/89

n. 401

● 308939-4-00 (Gruppo tensione crochet inf. – Tension assembly for lower looper – Groupe tension crochet inf.)



- ★ 304781-4-11 (Coperchio superiore completo - Upper cover assembly - Couvercle sup. complet)
- ▲ 304812-4-10 (Coperchio anteriore completo - Front cover assembly - Couvercle avant complet)



311298-4-00

308025-2-00	0,65
308029-2-00	0,75

311118-4-01

764407-2-00
704226-2-00
745812-2-00

785815-2-00
304616-0-11
309562-0-00
304612-0-11

311040-2-01

308195-0-00
311038-4-01
729013-2-00
308190-0-00

311053-2-00
744332-2-00
311166-0-00

307704-0-00
778460-0-00

729013-2-00
730033-2-00
311386-2-00

729013-2-00
704849-0-00
311385-2-00

727215-2-00
308971-3-00
308967-2-00

308119-0-00
727215-2-00

311100-4-00

301759-0-10
201143-0-10

301759-0-10
201143-0-10

308029-2-00
727215-2-00
307704-0-00
778459-0-00

311100-4-00

311166-0-00

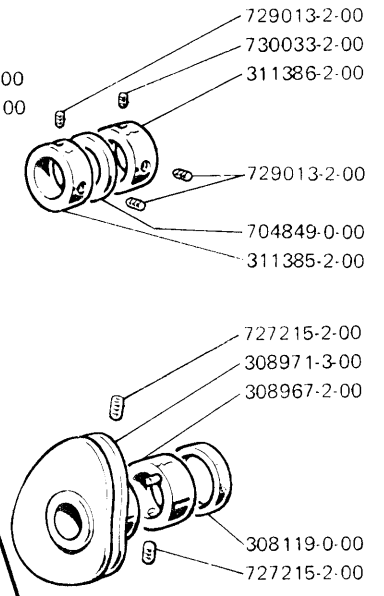
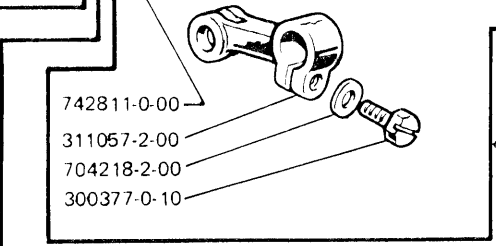
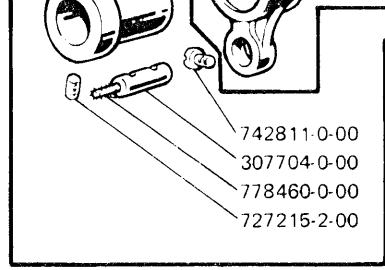
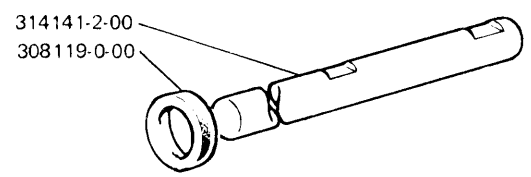
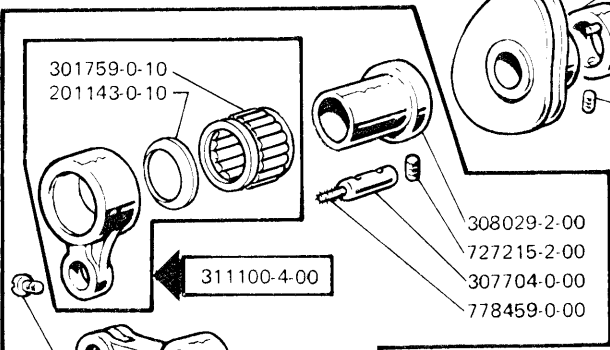
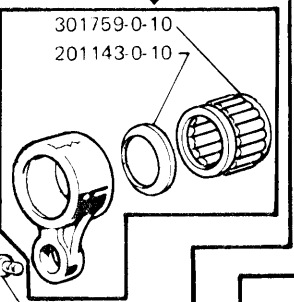
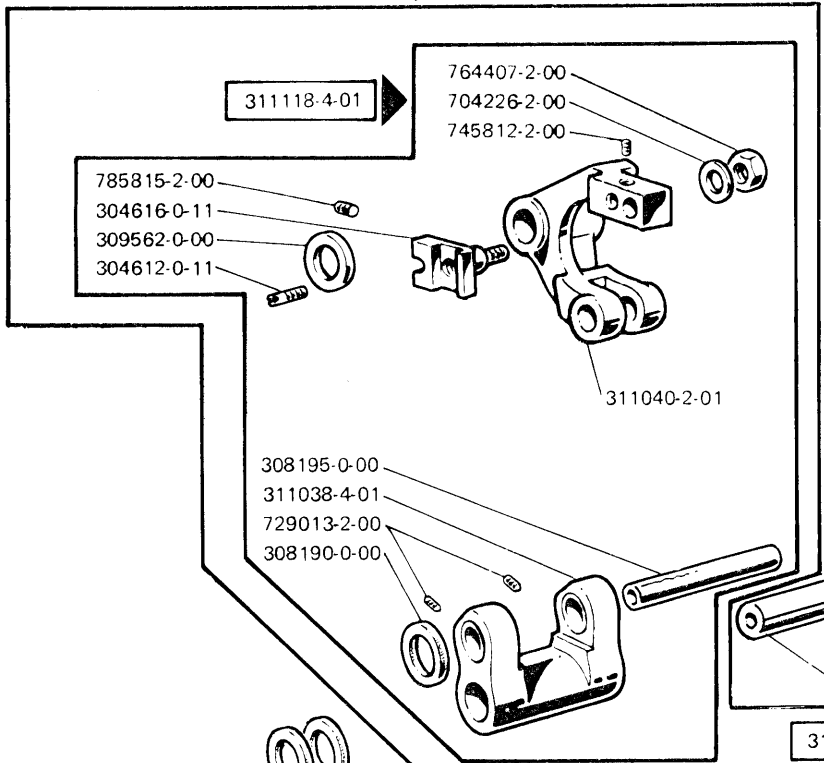
308025-2-00

314141-2-00
308119-0-00

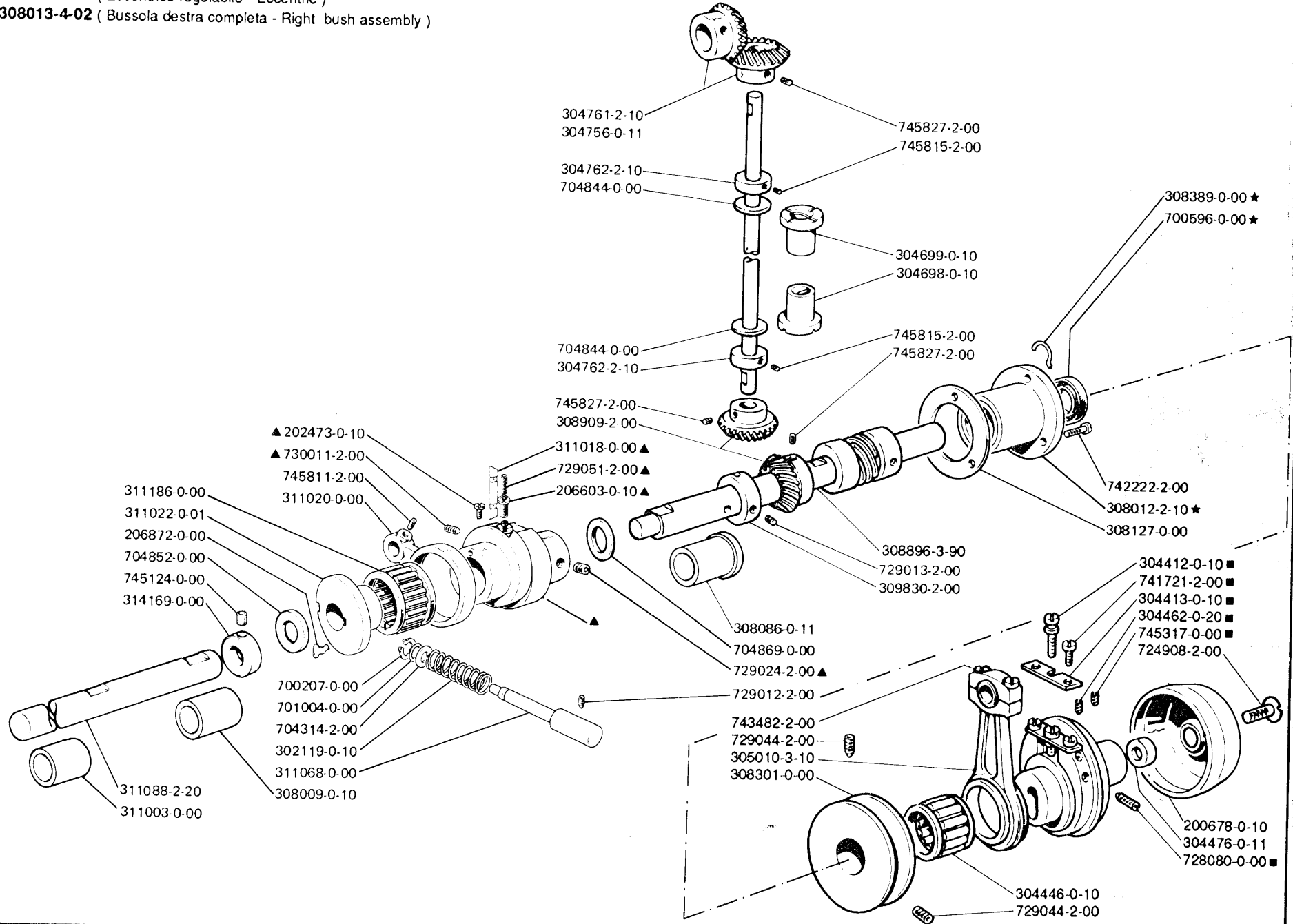
742811-0-00
307704-0-00
778460-0-00
727215-2-00

742811-0-00
311057-2-00
704218-2-00
300377-0-10

311146-4-00



- 304449-4-11 (Eccentrico regolabile - Eccentric)
- ▲ 311015-4-02 (Eccentrico regolabile - Eccentric)
- ★ 308013-4-02 (Bussola destra completa - Right bush assembly)



311186-0-00
311022-0-01
206872-0-00
704852-0-00
745124-0-00
314169-0-00

▲ 202473-0-10
▲ 730011-2-00
745811-2-00
311020-0-00

700207-0-00
701004-0-00
704314-2-00
302119-0-10
311068-0-00
308009-0-10

311088-2-20
311003-0-00

304761-2-10
304756-0-11

304762-2-10
704844-0-00

704844-0-00
304762-2-10

745827-2-00
308909-2-00

311018-0-00 ▲
729051-2-00 ▲
206603-0-10 ▲

308086-0-11
704869-0-00

729024-2-00 ▲
729012-2-00

743482-2-00
729044-2-00

305010-3-10
308301-0-00

745827-2-00
745815-2-00

304699-0-10
304698-0-10

745815-2-00
745827-2-00

308896-3-90
729013-2-00
309830-2-00

308389-0-00 ★
700596-0-00 ★

742222-2-00
308012-2-10 ★
308127-0-00

304412-0-10 ■
741721-2-00 ■

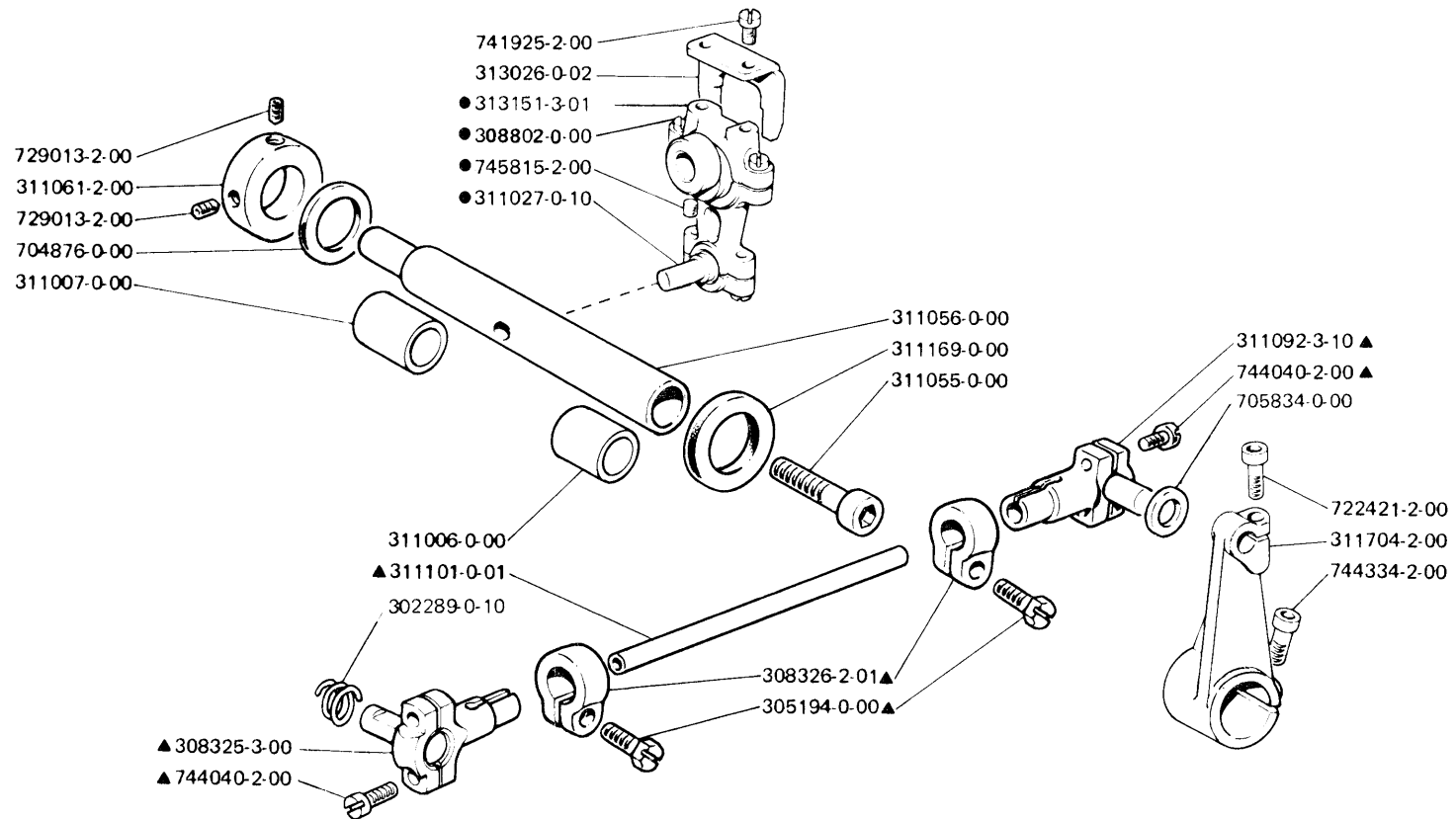
304413-0-10 ■
304462-0-20 ■
745317-0-00 ■
724908-2-00 ■

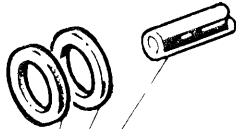
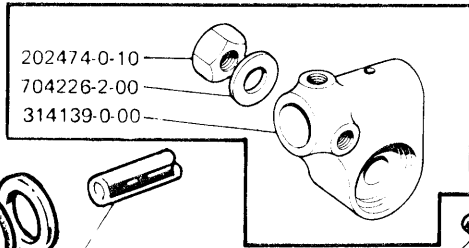
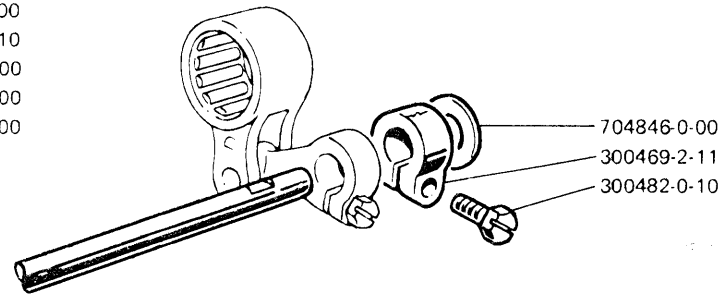
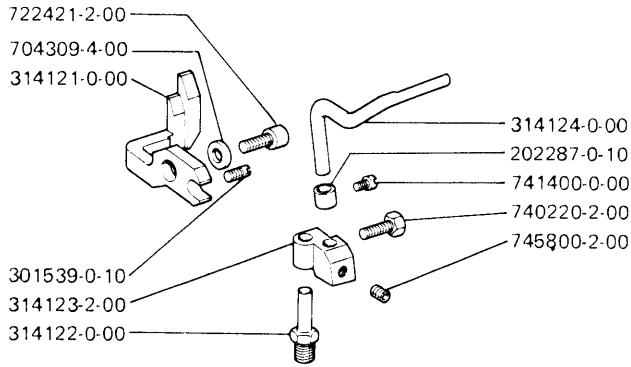
200678-0-10
304476-0-11
728080-0-00 ■

304446-0-10
729044-2-00

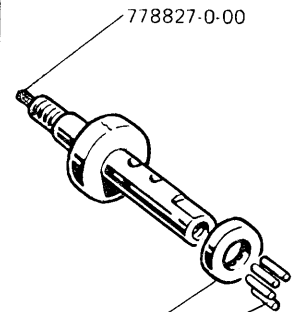
▲ 311290-4-10 (Gruppo comando crochet inf.)— Lower looper control assembly)

● 313156-4-00 (Gruppo biella con eccentrico— Con-rod assembly with eccentric)





730033-2-00



303539-0-00
302276-0-10
703810-0-00

778827-0-00

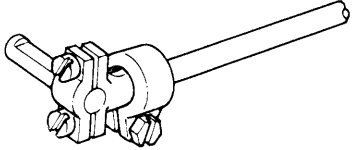
302276-0-10
303539-0-00
302052-2-21

303538-0-00
702403-0-00
742423-0-00

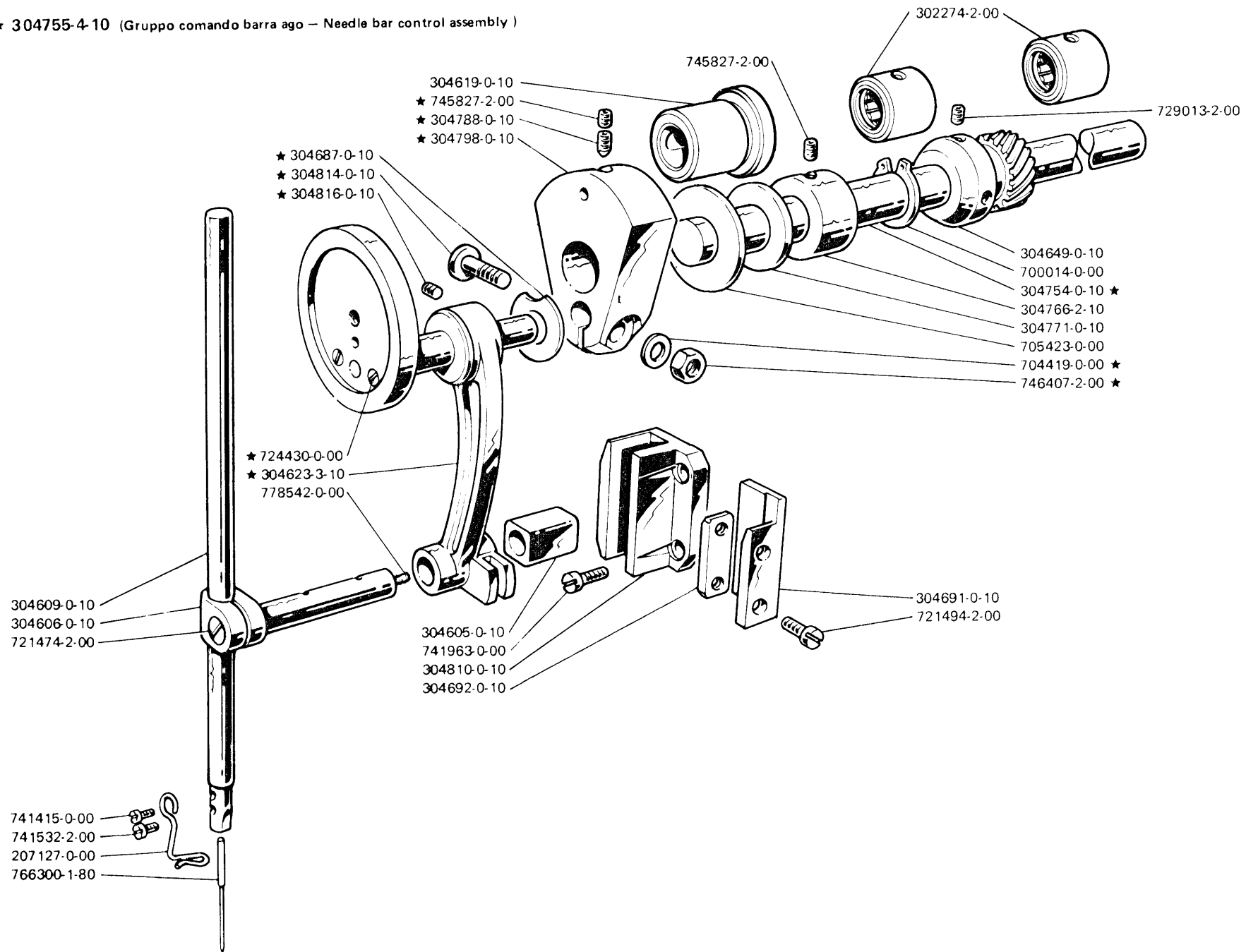
745815-2-00
308266-2-02
303503-0-10

308272-0-00
308273-0-00
729012-2-00

312852-4-00

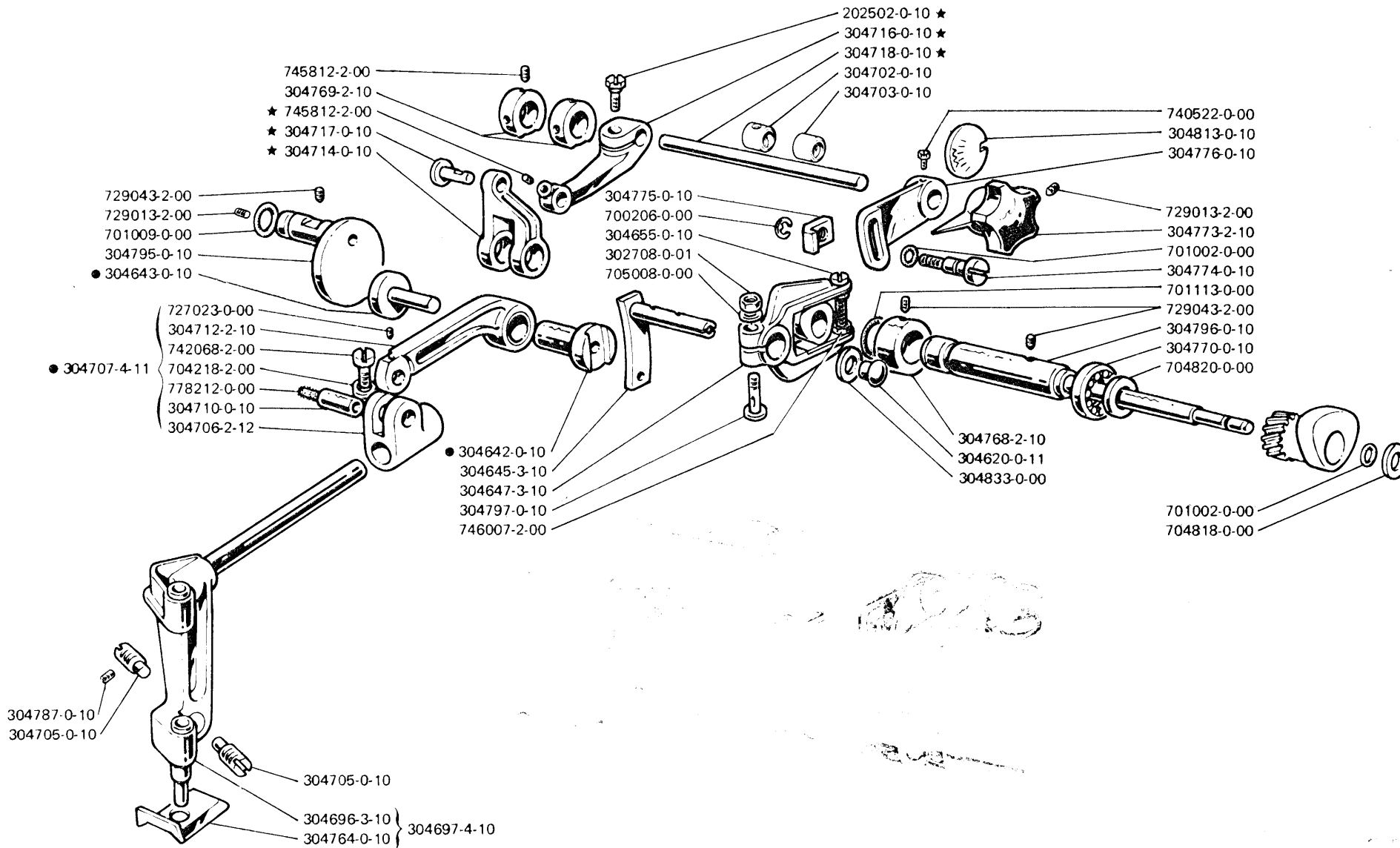


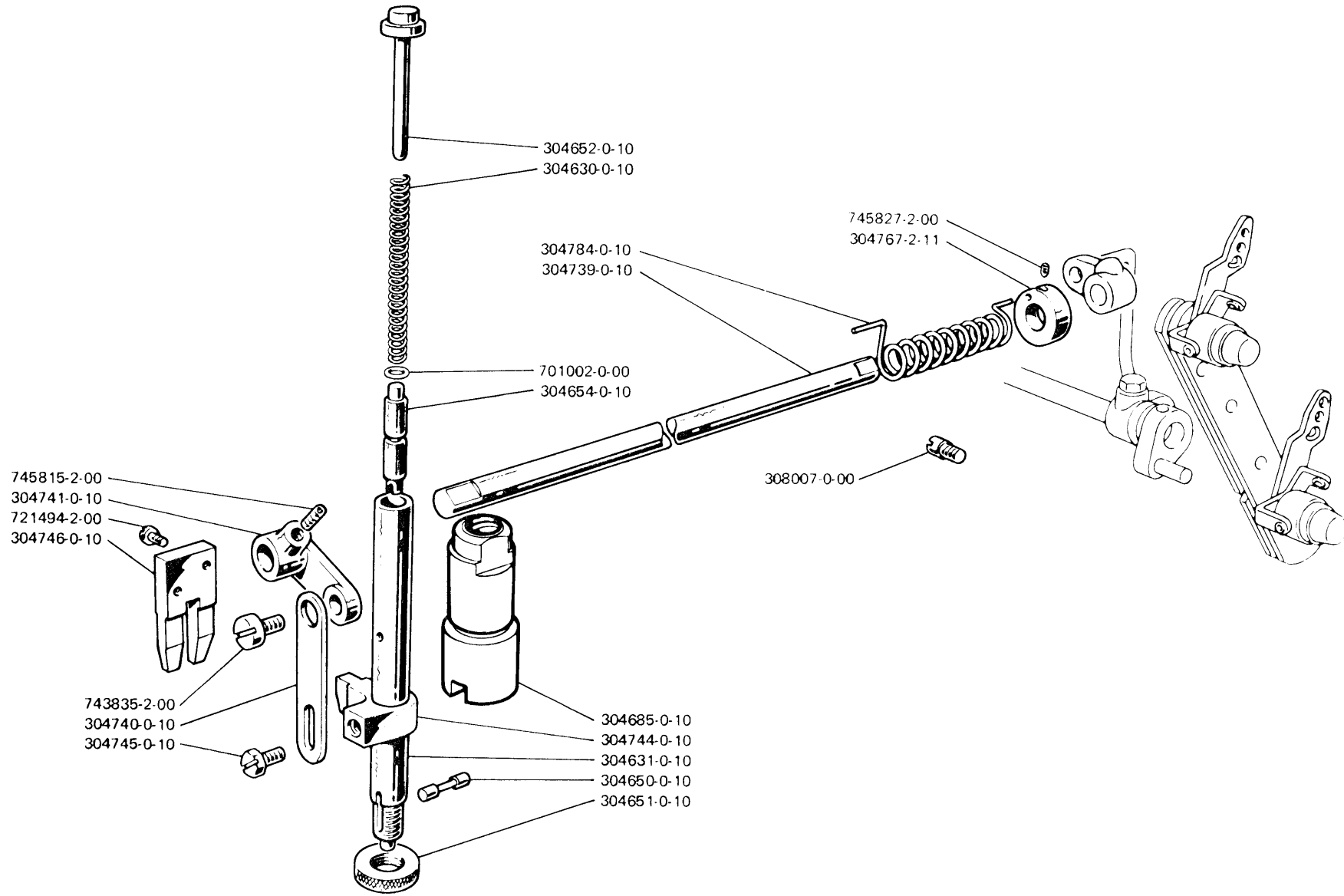
★ 304755-4-10 (Gruppo comando barra ago – Needle bar control assembly)



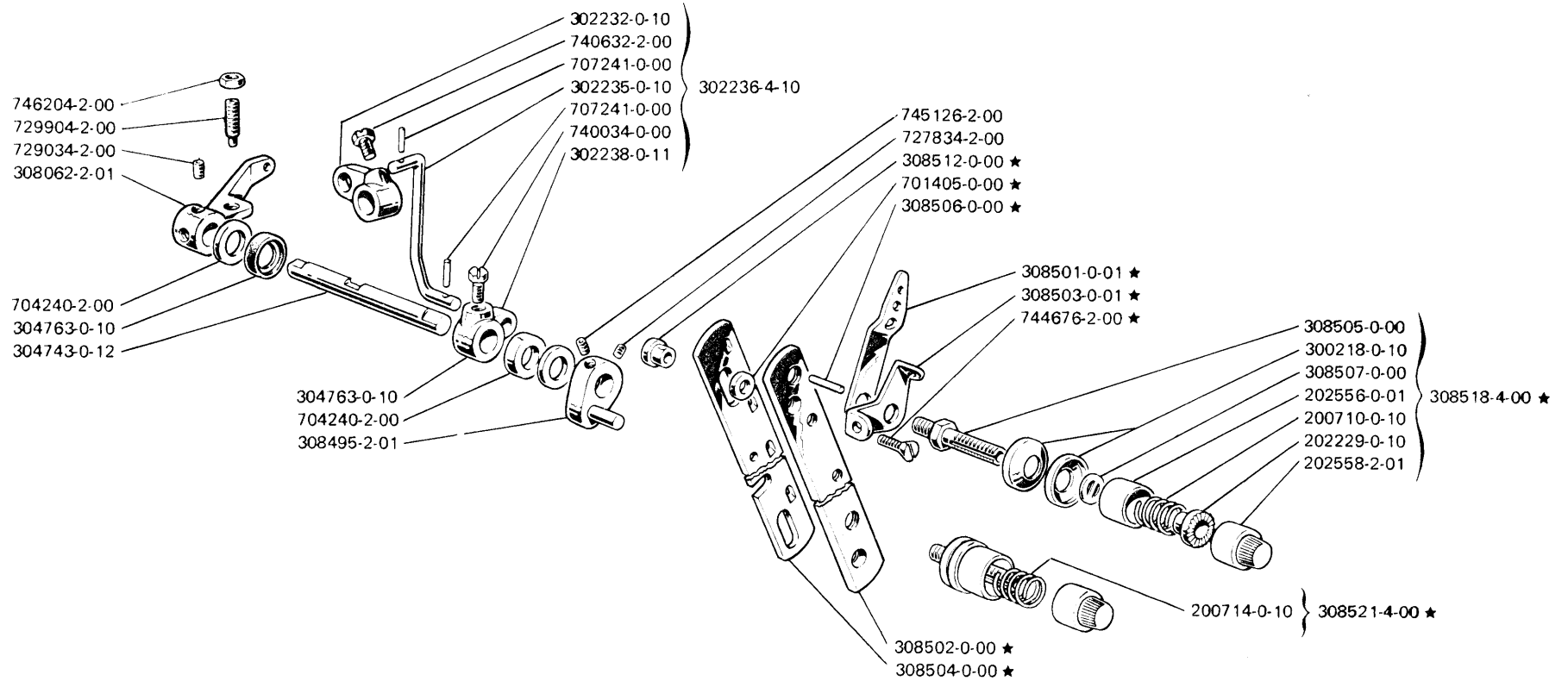
● ★ 304708-5-10 (Gruppo movimento zig-zag – Control zig-zag group)

★ 304715-4-10 (Supporto con leva – Support with lever)

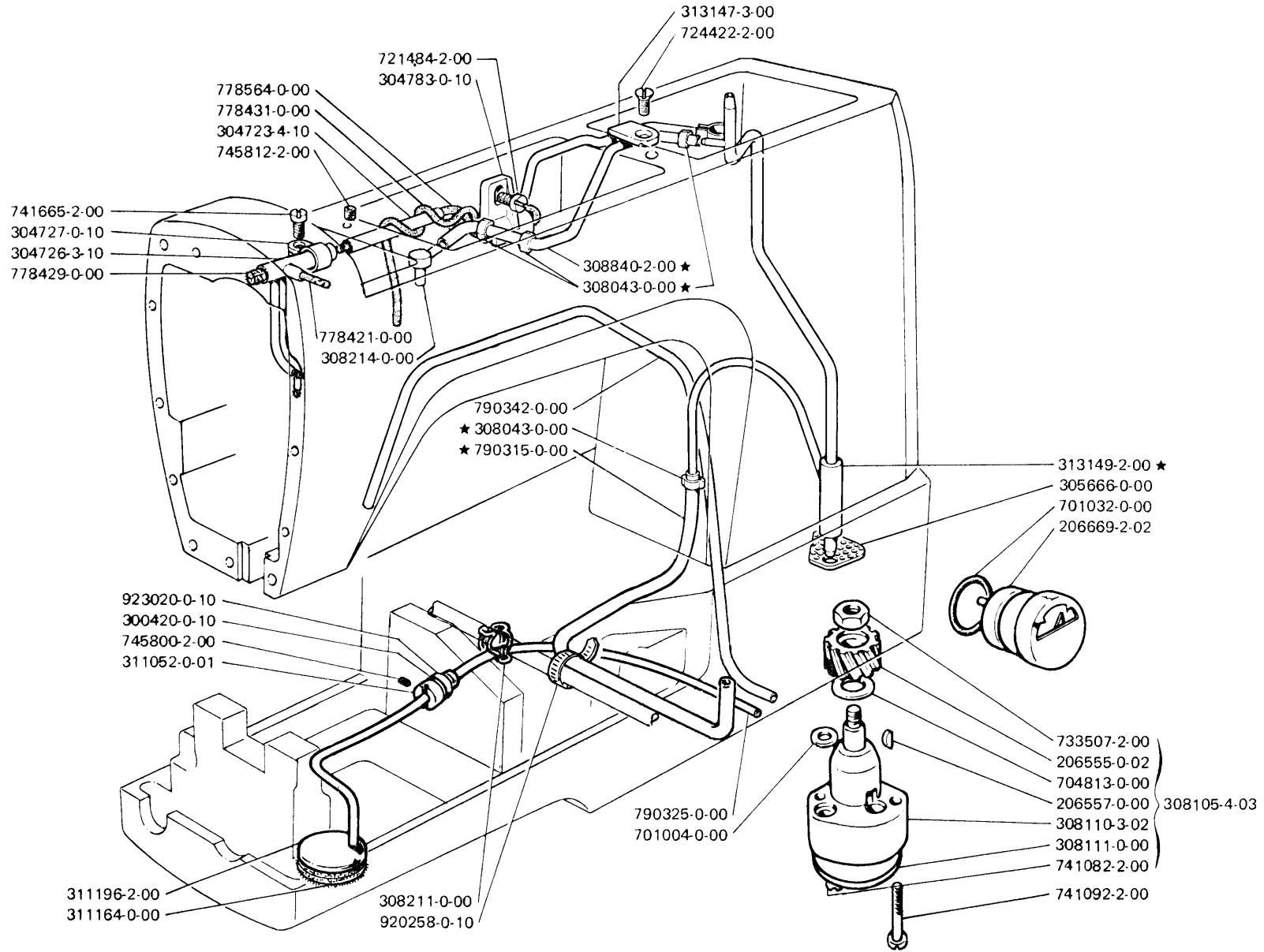


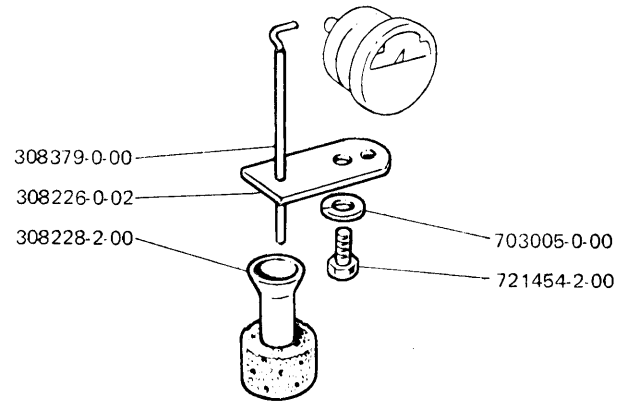


★ 308529-4-00 (Gruppo tensioni – Tensions assembly)

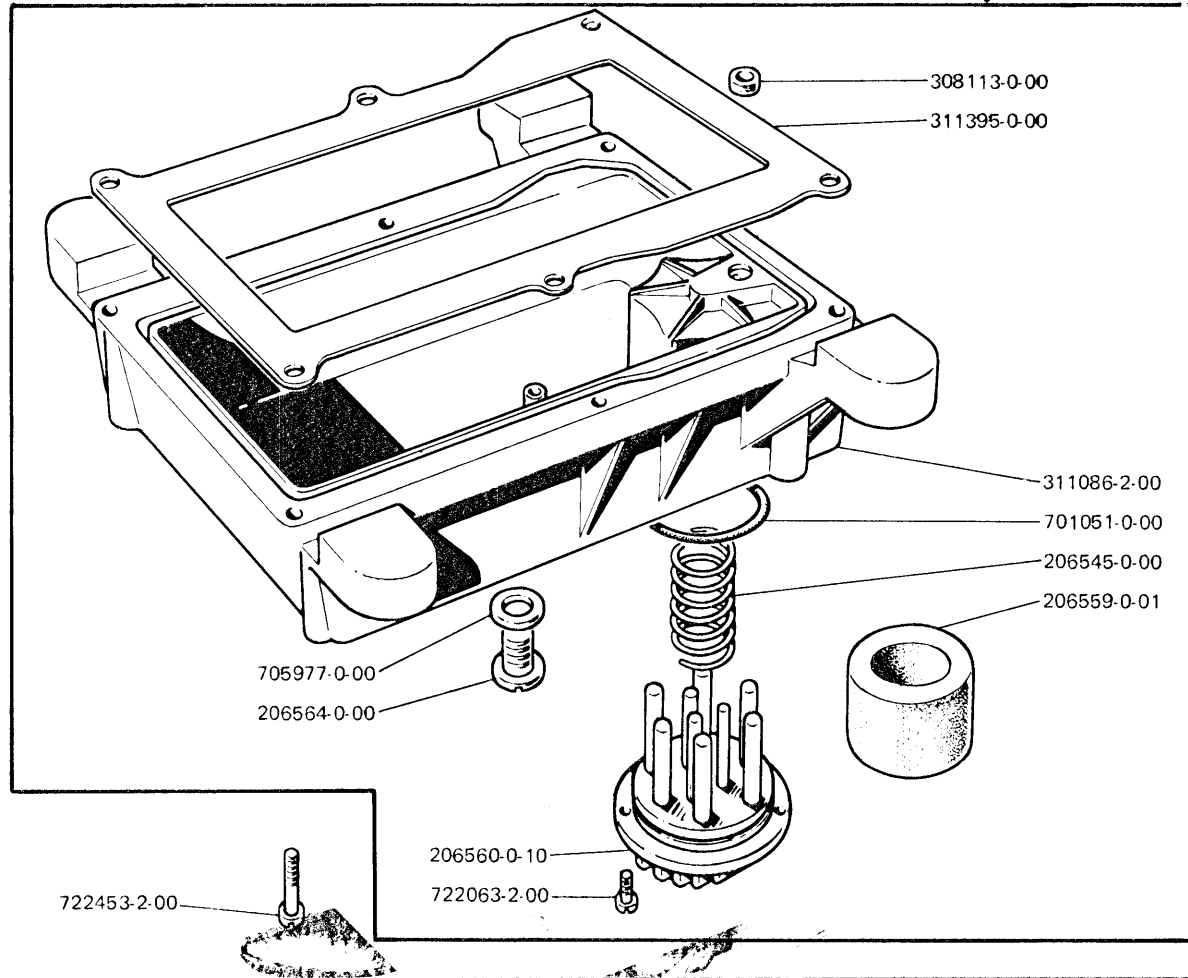


★ 310503-4-10 (Raccordo mandata olio compl. - Pipe union assembly)



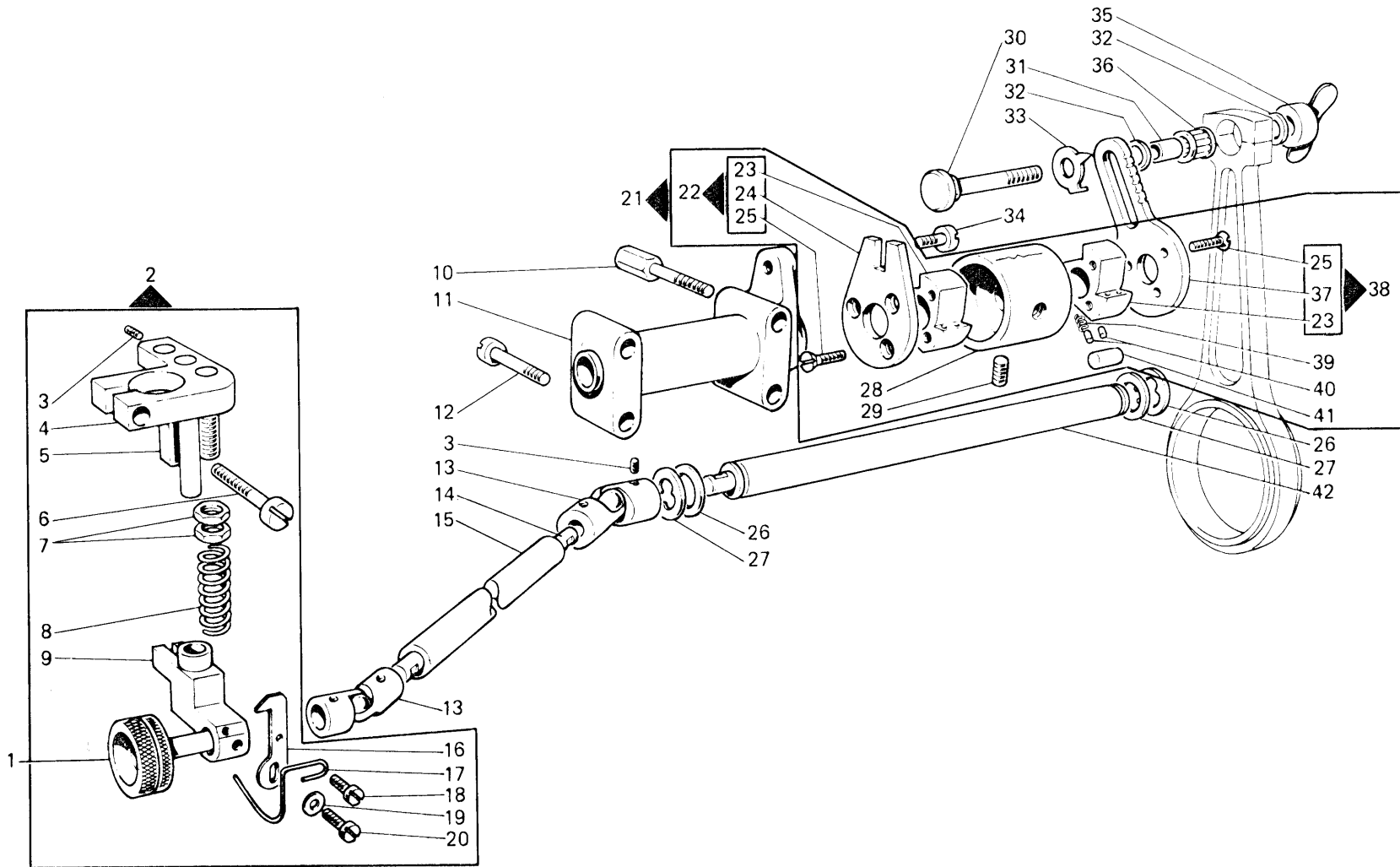


311087-4-01

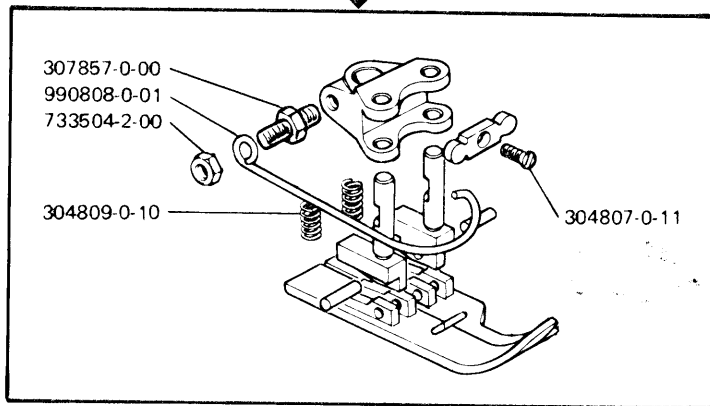


Rim[®] TAV.13

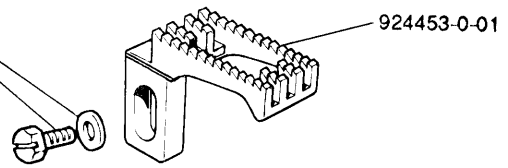
Fig. N.	Part N. Piece N.	Qt.
1	305043-0-10	1
2	305035-4-10	1
3	745812-2-00	9
4	305034-3-10	1
5	305038-0-10	1
6	721525-0-00	1
7	746406-2-00	2
8	305039-0-10	1
9	305040-0-10	1
10	305045-0-10	1
11	305026-2-10	1
12	722482-2-00	3
13	305032-0-10	2
14	305030-0-10	1
15	305031-0-10	1
16	305037-0-10	1
17	305036-0-10	1
18	741612-0-00	1
19	704302-4-00	1
20	741642-2-00	1
21	304431-4-13	1
22	304432-4-10	1
23	301523-0-10	2
24	203928-0-10	1
25	724471-0-00	6
26	704841-0-00	2
27	700212-0-00	2
28	304430-0-10	1
29	729043-2-00	2
30	304086-0-10	1
31	304436-0-10	1
32	704216-2-00	2
33	304073-0-10	1
34	721454-2-00	1
35	200413-2-10	1
36	201357-0-10	1
37	304084-0-10	1
38	304085-4-10	1
39	310795-0-00	20
40	310796-0-00	20
41	301527-0-10	6
42	305029-0-10	1



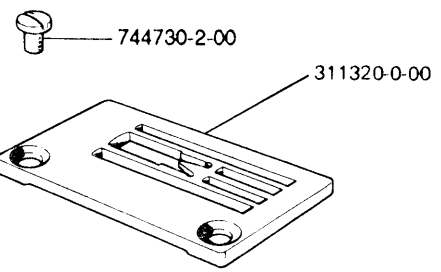
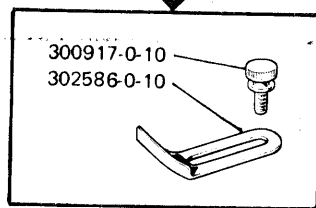
311321-3-00



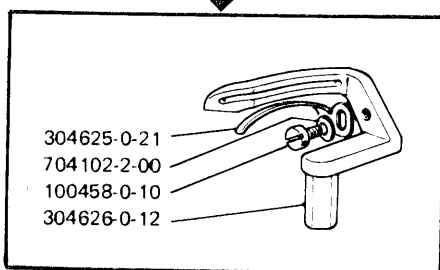
704406-0-00
304684-0-10

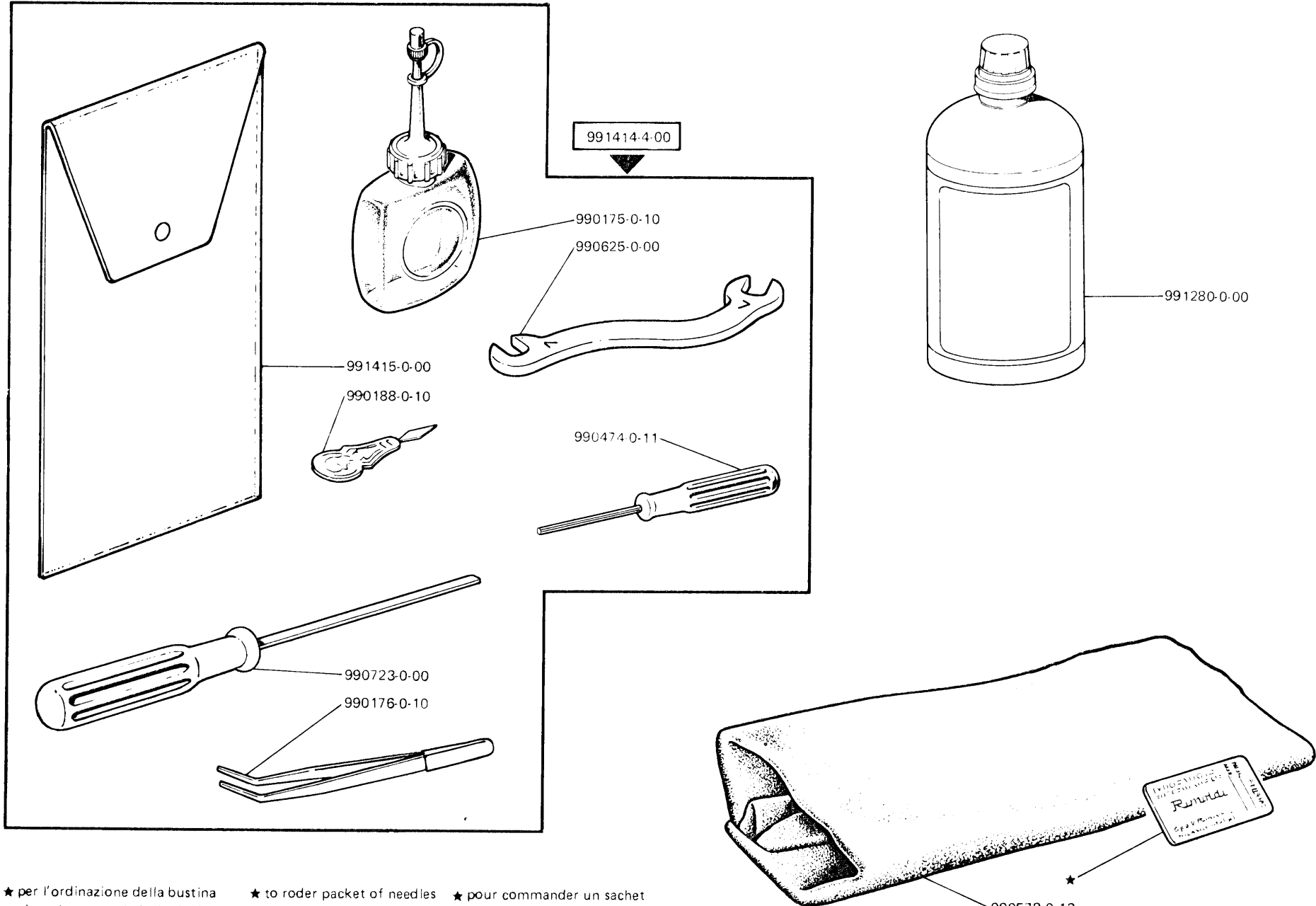


310015-4-00



304628-4-12





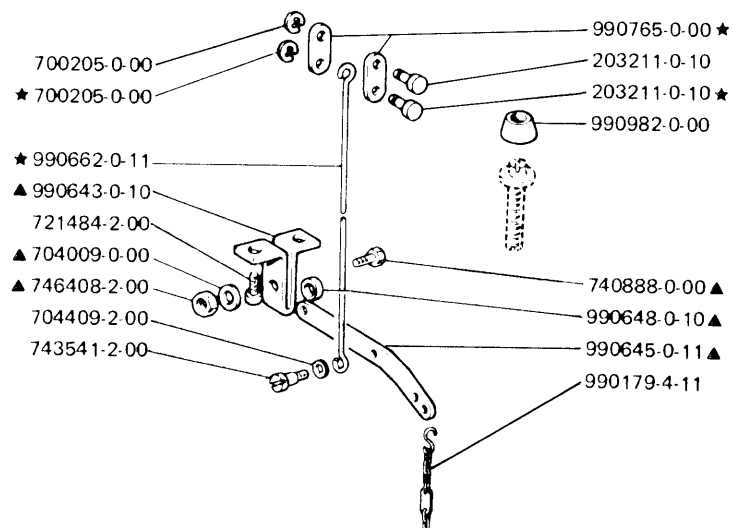
★ per l'ordinazione della bustina citare lo stesso simbolo dell'ago montato sulla testa.

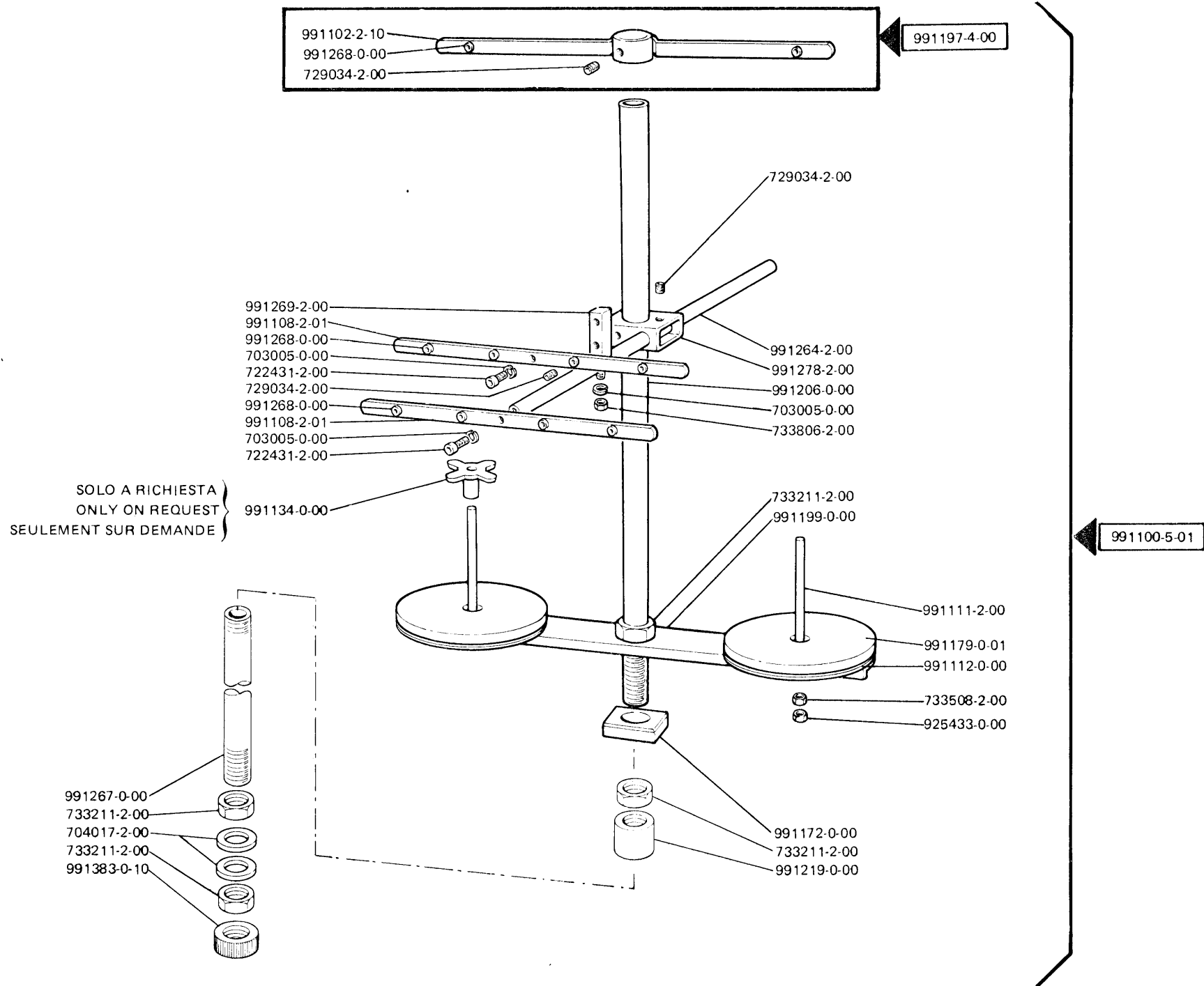
★ to order packet of needles please specify symbol of needle fitted on machine.

★ pour commander un sachet d'aiguille donner le symbol de l'aiguille montee sur la tete.

★ 990797-4.00 (Tirante alza piedino compl. – Presser tie-rod assembly)

▲ 990644-4.10 (Cavallotto con leva completo – Coupling with lever assembly)





Rimoldi Srl - 33, Via Montebello - 20020 Olcella - Milano (Italy)

Tel. (0331) 563.111 - Telex 332299 - 312243 - Telefax (0331) 563.485 - 563.564