

Rimoldi[®]

CATALOGO PEZZI DI RICAMBIO **Rim**[®]

Rim[®] SPARE PARTS CATALOGUE

CATALOGUE RECHANGES **Rim**[®]

264-38-2CA-14

1a EDIZIONE-EDITION 5/89

n. 391

**GUIDA PER LA CONSULTAZIONE
DEL CATALOGO
RICAMBI**

Tutti i particolari che compongono le teste sono riportati in più tavole come indicato nell'indice.

I particolari che compongono un gruppo sono riquadrati; i sottogruppi, anch'essi riquadrati, sono inseriti nel gruppo di appartenenza.

I particolari o i gruppi non comuni a tutte le teste riportate nel catalogo sono richiamati con una lettera; per la loro consultazione rimandiamo alle relative tabelle delle varianti pubblicate nelle ultime pagine del catalogo.

Gli organi di cucitura, le guide e gli accessori sono preceduti da tavole riepilogative con l'indicazione dei particolari in dotazione e di quelli a richiesta.

Per ordini di aghi, precisare il simbolo riportato in catalogo; in caso di dubbio allegare un ago campione o una bustina vuota.

**GUIDELINES FOR THE USE
OF SPARE PARTS
CATALOGUE**

All the heads component parts are shown in more tables as listed in the index.

The parts that are components of an assembly are represented within a square; the sub-assembly, also represented within a square, are included in the assembly they are part of.

A letter indicates parts or assemblies not common to all heads shown in the catalogue; in this case, refer to the relative charts of variables published in the last pages of the catalogue.

The sewing parts, guides, folder and accessories are preceded by summary tables indicating standard parts and parts supplied on request.

When ordering needles, please specify catalogue symbol; if you have doubts, send a sample needle or an empty needle bag with your order.

**GUIDE A LA CONSULTATION
DU CATALOGUE PIÈCES
DE RECHANGE**

Toutes les pièces qui composent les têtes ont été énoncées sur plusieurs tables comme indiqué en index.

Les pièces qui composent un groupe sont bordées; les sous-groupes eux mêmes bordés, sont insérés dans le groupe d'appartenance.

Les composants ou les groupes non communs à toutes les têtes indiquées dans le catalogue sont rappelés par une lettre; pour leur consultation se référer aux relatives fiches des variantes publiées dans les dernières pages du catalogue.

Les éléments de couture, les guides et les accessoires sont précédés de tables de récapitulation avec l'index des composants en dotation et ceux sur demande.

Pour les commandes d'aiguilles, préciser le symbole indiqué sur le catalogue, en cas de doute joindre une aiguille échantillon ou un sachet vide.

**ANLEITUNG FÜR DIE
BENUTZUNG DES
ERSATZTEILKATALOGES**

Alle Teile welche ein Oberteil bilden sind in mehreren Tafeln, wie im Inhaltsverzeichnis angegeben, abgebildet.

Alle Teile welche eine Teilegruppe bilden sind umrahmt; die Untergruppen, ebenfalls umrahmt, sind in der betreffenden Teilegruppe angeführt.

Alle Teile oder Teilegruppen, welche nicht in allen im Ersatzteilkatalog angeführten Oberteilen gemein sind, sind mit einem Buchstaben gekennzeichnet; für deren Identifizierung sind die relativen auf den letzten Seiten dieses Kataloges angeführten Tabellen der Varianten zu Rate zu ziehen.

Vor den Tafeln mit den Nähwerkzeugen, Führungen und Ausstattungen befinden sich zusammenfassende Tafeln mit Angabe der in Normalausstattung und der auf Anfrage lieferbaren Teile.

Für Aufträge über Nähadeln ist die im Ersatzteilkatalog angeführte Teilenummer anzugeben; in Zweifelsfällen ist eine Nadel als Muster oder ein entsprechender leerer Nadelbrief beizulegen.

**GUIA PARA LA CONSULTA DEL
CATALOGO DE
REPUESTOS**

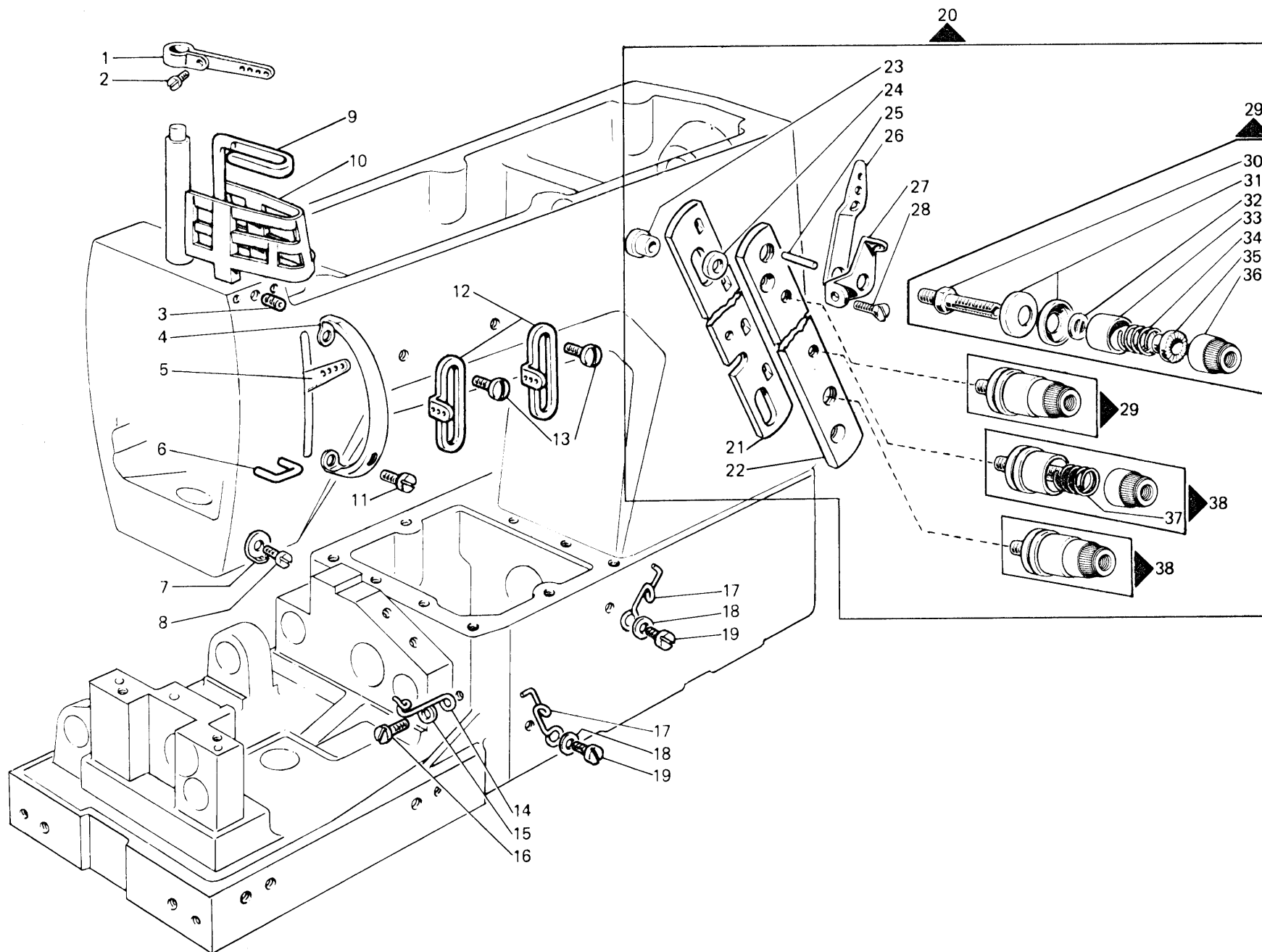
Todos los particulares que componen los cabezales son reflejados en más mesas como indicado en el indice.

Los particulares que componen un grupo son encuadrados. Los subgrupos, aunque si son encuadrados, son inseridos en el grupo de pertenencia.

Los particulares o los grupos no comunes a todos los cabezales reproducidos en el catálogo, son señalados con una letra. Para su consulta ver la relación de las variantes que figuran en la última pagina del catálogo.

Los organos de costura, las guias y accesorios son precedidos de un resumen de mesas con la indicación de los particulares dotados y los solicitados.

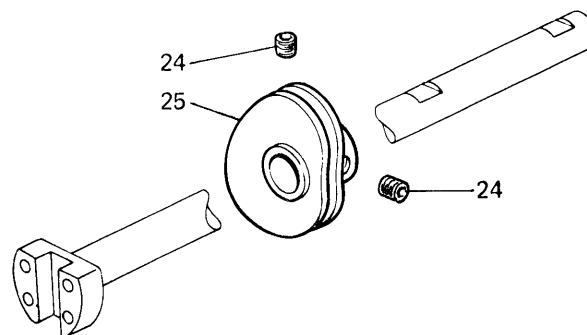
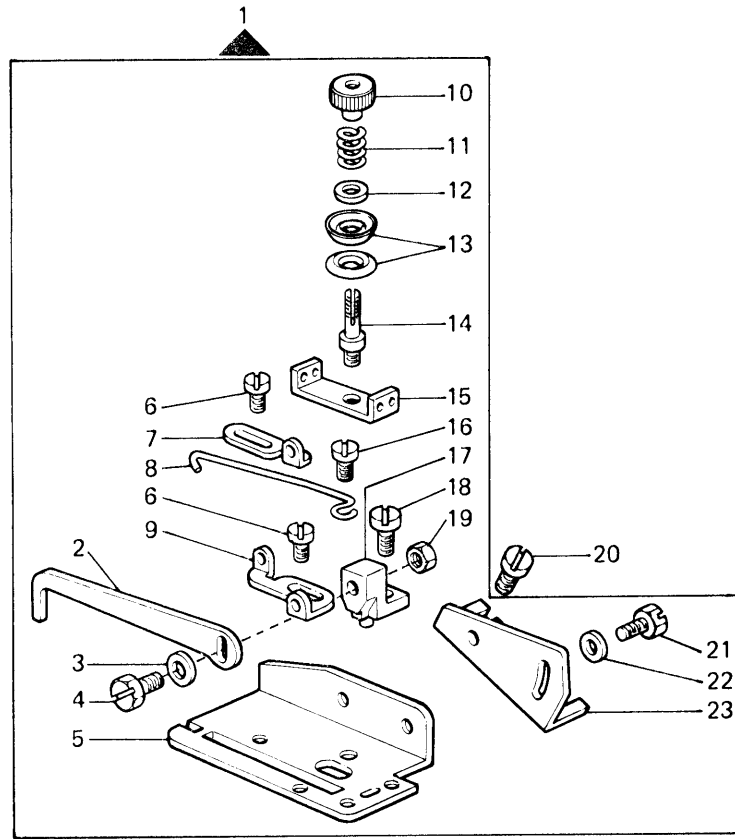
Por pedido de agujas, precisar el símbolo reproducido en el catálogo. En caso de duda, adjuntar un modelo o un sobre vacío.



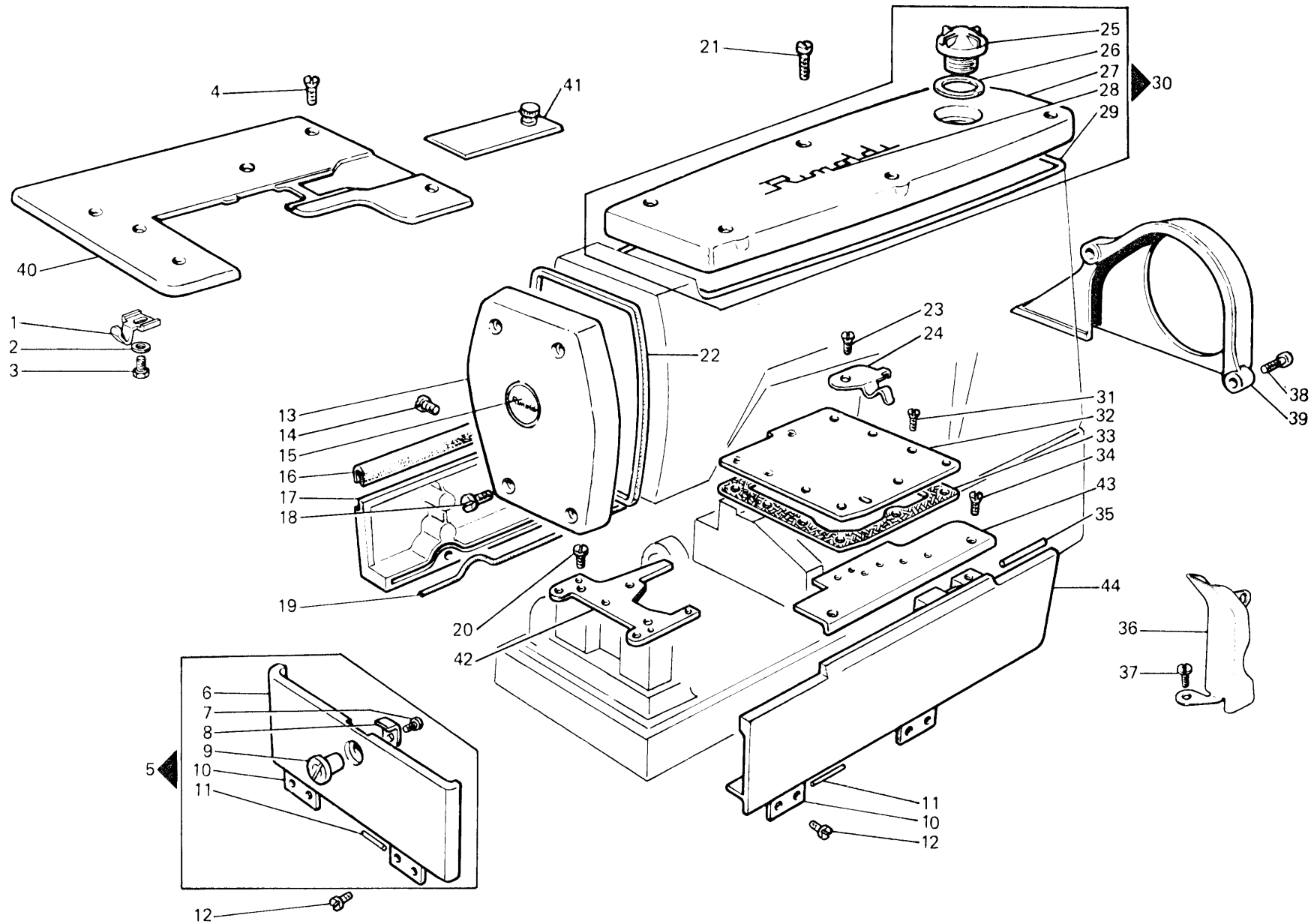
| Fig. N. | Part. N. Piece N. | Qt. |
|---------|----------------------|-----|
| 1 | 308452-2-00 | 1 |
| 2 | 742311-2-00 | 1 |
| 3 | 729012-2-00 | 3 |
| 4 | 308107-0-01 | 1 |
| 5 | 308451-0-10 | 1 |
| 6 | 308137-0-00 | 1 |
| 7 | 308201-0-02 | 1 |
| 8 | 724420-2-00 | 1 |
| 9 | 302136-0-12 | 1 |
| 10 | 313375-0-01 | 1 |
| 11 | 721444-2-00 | 2 |
| 12 | 308203-0-01 | 2 |
| 13 | 303045-0-10 | 2 |
| 14 | 302149-0-11 | 1 |
| 15 | 704302-4-00 | 1 |
| 16 | 741682-0-00 | 1 |
| 17 | 311098-0-00 | 2 |
| 18 | 704210-4-00 | 2 |
| 19 | 300483-0-10 | 2 |
| 20 | 308527-4-00 | 1 |
| 21 | 308502-0-00 | 1 |
| 22 | 308504-0-00 | 1 |
| 23 | 308512-0-00 | 2 |
| 24 | 701405-0-00 | 2 |
| 25 | 308506-0-00 | 4 |
| 26 | 308501-0-01 | 4 |
| 27 | 308503-0-01 | 4 |
| 28 | 744676-2-00 | 2 |
| 29 | 308518-4-00 | 2 |
| 30 | 308505-0-00 | 4 |
| 31 | 300218-0-10 | 8 |
| 32 | 308507-0-00 | 4 |
| 33 | 202556-0-01 | 4 |
| 34 | 200710-0-10 | 2 |
| 35 | 202229-0-11 | 4 |
| 36 | 202558-0-00 | 4 |
| 37 | 200714-0-10 | 2 |
| 38 | 308521-4-00 | 2 |

Rim[®] TAV.2

| Fig. N. | Part. N. Piece N. | Qt. |
|---------|----------------------|-----|
| 1 | 308938-4-01 | 1 |
| 2 | 308556-0-00 | 1 |
| 3 | 705201-0-00 | 1 |
| 4 | 740250-2-00 | 1 |
| 5 | 308550-0-10 | 1 |
| 6 | 741433-2-00 | 2 |
| 7 | 302172-0-10 | 1 |
| 8 | 308558-0-00 | 1 |
| 9 | 304905-0-10 | 1 |
| 10 | 302204-0-10 | 1 |
| 11 | 930066-0-10 | 1 |
| 12 | 704218-2-00 | 1 |
| 13 | 200324-0-10 | 2 |
| 14 | 300393-0-10 | 1 |
| 15 | 310459-0-01 | 1 |
| 16 | 741612-2-00 | 1 |
| 17 | 302168-0-00 | 1 |
| 18 | 741655-2-00 | 1 |
| 19 | 746002-2-00 | 1 |
| 20 | 721444-2-00 | 2 |
| 21 | 740220-2-00 | 2 |
| 22 | 704104-2-00 | 2 |
| 23 | 308551-0-01 | 1 |
| 24 | 727215-0-00 | 2 |
| 25 | 308971-3-00 | 1 |



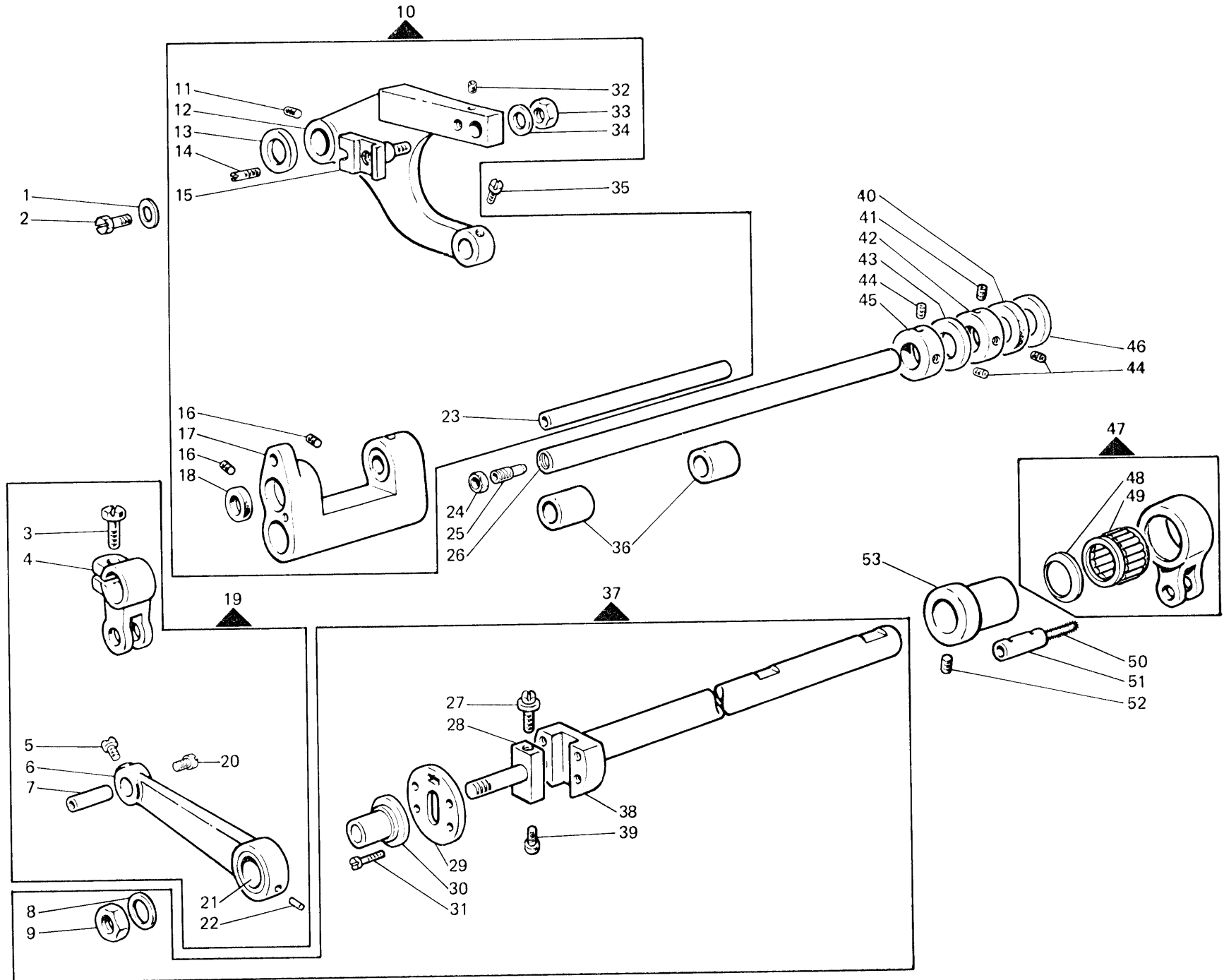
Rim[®] TAV.3



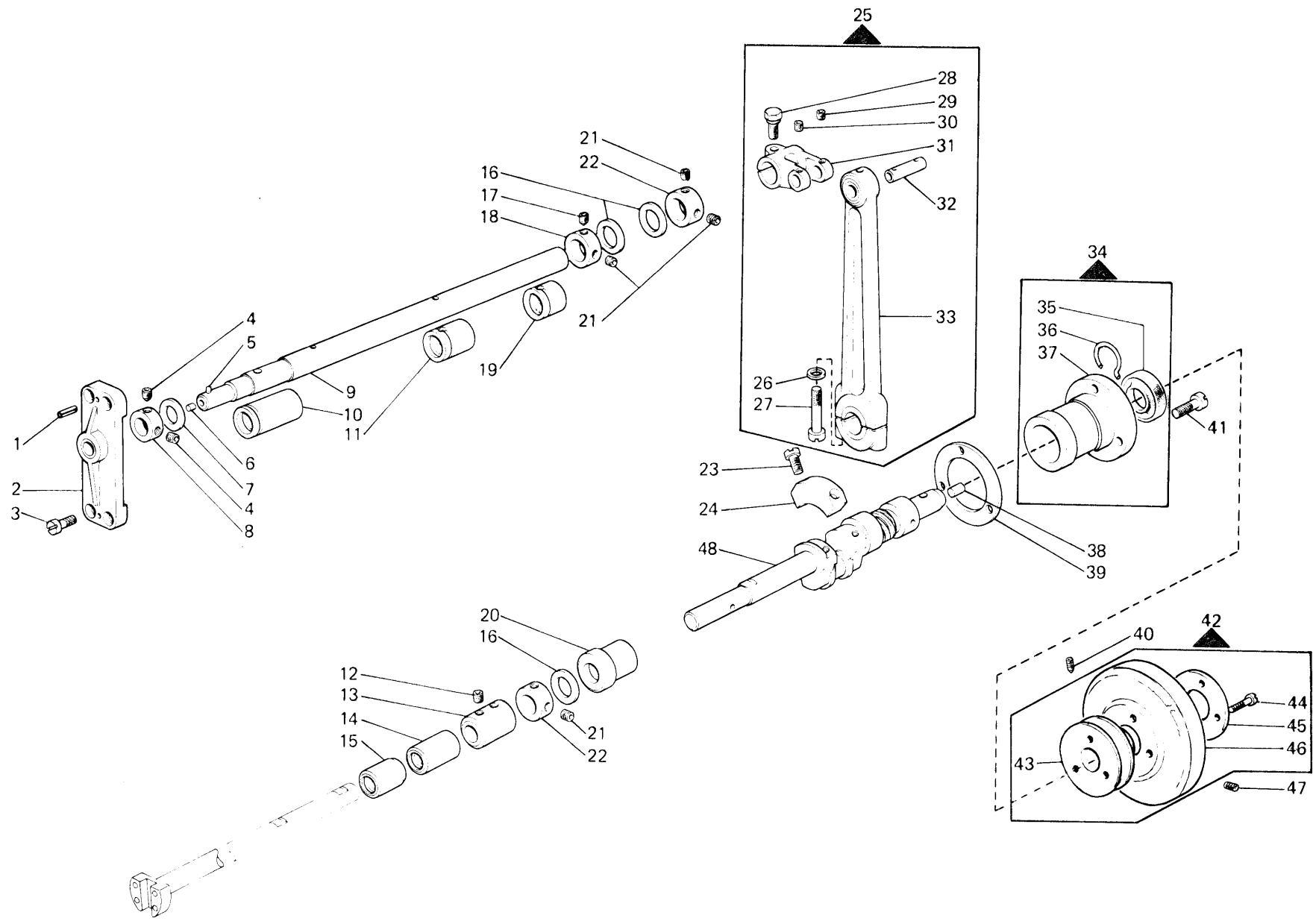
| Fig. N. | Part. N. Pcece N. | Qt. |
|---------|----------------------|-----|
| 1 | 309351-0-00 | 1 |
| 2 | 704306-2-00 | 1 |
| 3 | 720411-2-00 | 1 |
| 4 | 744636-2-00 | 5 |
| 5 | 309139-4-00 | 1 |
| 6 | 309126-3-00 | 1 |
| 7 | 741658-2-00 | 1 |
| 8 | 309371-0-00 | 1 |
| 9 | 309372-0-00 | 1 |
| 10 | 309332-0-00 | 4 |
| 11 | 707556-0-00 | 4 |
| 12 | 300483-0-10 | 8 |
| 13 | 308101-2-01 | 1 |
| 14 | 741088-2-00 | 3 |
| 15 | 304662-0-10 | 1 |
| 16 | 309088-0-01 | 1 |
| 17 | 309086-0-01 | 1 |
| 18 | 302353-0-10 | 2 |
| 19 | 309084-0-00 | 1 |
| 20 | 302355-0-10 | 2 |
| 21 | 742282-2-00 | 6 |
| 22 | 308128-0-01 | 1 |
| 23 | 721474-2-00 | 1 |
| 24 | 309360-0-00 | 1 |
| 25 | 207973-0-01 | 1 |
| 26 | 705970-0-00 | 1 |
| 27 | 308102-0-00 | 1 |
| 28 | 300006-0-12 | 1 |
| 29 | 308129-0-01 | 1 |
| 30 | 308103-4-10 | 1 |
| 31 | 741936-2-00 | 9 |
| 32 | 309324-2-10 | 1 |
| 33 | 309323-0-00 | 1 |
| 34 | 744676-2-00 | 2 |
| 35 | 707518-0-00 | 1 |
| 36 | 309352-0-00 | 1 |
| 37 | 722084-2-00 | 1 |
| 38 | 721475-2-00 | 2 |
| 39 | 308461-0-00 | 1 |
| 40 | 309042-2-00 | 1 |
| 41 | 309302-2-00 | 1 |
| 42 | 308783-2-00 | 1 |
| 43 | 309239-0-00 | 1 |
| 44 | 309177-3-00 | 1 |

Rim® TAV. 4

| Fig. N. | Part. N. Piece N. | Qt. |
|---------|----------------------|-----|
| 1 | 704406-0-00 | 1 |
| 2 | 304684-0-10 | 1 |
| 3 | 202486-0-10 | 1 |
| 4 | 301519-2-11 | 1 |
| 5 | 742813-0-00 | 1 |
| 6 | 308283-2-11 | 1 |
| 7 | 308285-2-02 | 1 |
| 8 | 704814-0-00 | 1 |
| 9 | 942849-0-00 | 1 |
| 10 | 308418-4-00 | 1 |
| 11 | 745815-2-00 | 1 |
| 12 | 307676-0-00 | 1 |
| 13 | 309560-0-00 | 2 |
| 14 | 304612-0-11 | 1 |
| 15 | 304616-0-11 | 1 |
| 16 | 729013-2-00 | 2 |
| 17 | 308191-4-01 | 1 |
| 18 | 308190-0-00 | 2 |
| 19 | 308286-4-10 | 1 |
| 20 | 304640-0-10 | 1 |
| 21 | 303494-0-10 | 1 |
| 22 | 301586-0-10 | 1 |
| 23 | 308195-0-00 | 1 |
| 24 | 746406-2-00 | 1 |
| 25 | 308294-0-10 | 1 |
| 26 | 308289-4-11 | 1 |
| 27 | 308281-0-00 | 1 |
| 28 | 308278-0-01 | 1 |
| 29 | 308774-2-00 | 1 |
| 30 | 303458-0-12 | 1 |
| 31 | 724441-0-00 | 4 |
| 32 | 745812-2-00 | 1 |
| 33 | 746407-2-00 | 1 |
| 34 | 704226-2-00 | 1 |
| 35 | 742811-0-00 | 1 |
| 36 | 308296-0-00 | 2 |
| 37 | 308358-4-01 | 1 |
| 38 | 308381-2-10 | 1 |
| 39 | 308780-2-00 | 1 |
| 40 | 308287-0-00 | 1 |
| 41 | 728232-0-00 | 1 |
| 42 | 309839-2-01 | 1 |
| 43 | 704846-0-00 | 1 |
| 44 | 745136-2-00 | 3 |
| 45 | 309838-2-01 | 1 |
| 46 | 704347-2-00 | 1 |
| 47 | 301459-4-10 | 1 |
| 48 | 201143-0-10 | 2 |
| 49 | 301579-0-10 | 1 |
| 50 | 778238-0-00 | 1 |
| 51 | 300209-0-10 | 1 |
| 52 | 700215-2-00 | 2 |
| 53 | 309029-2-00 | 1 |



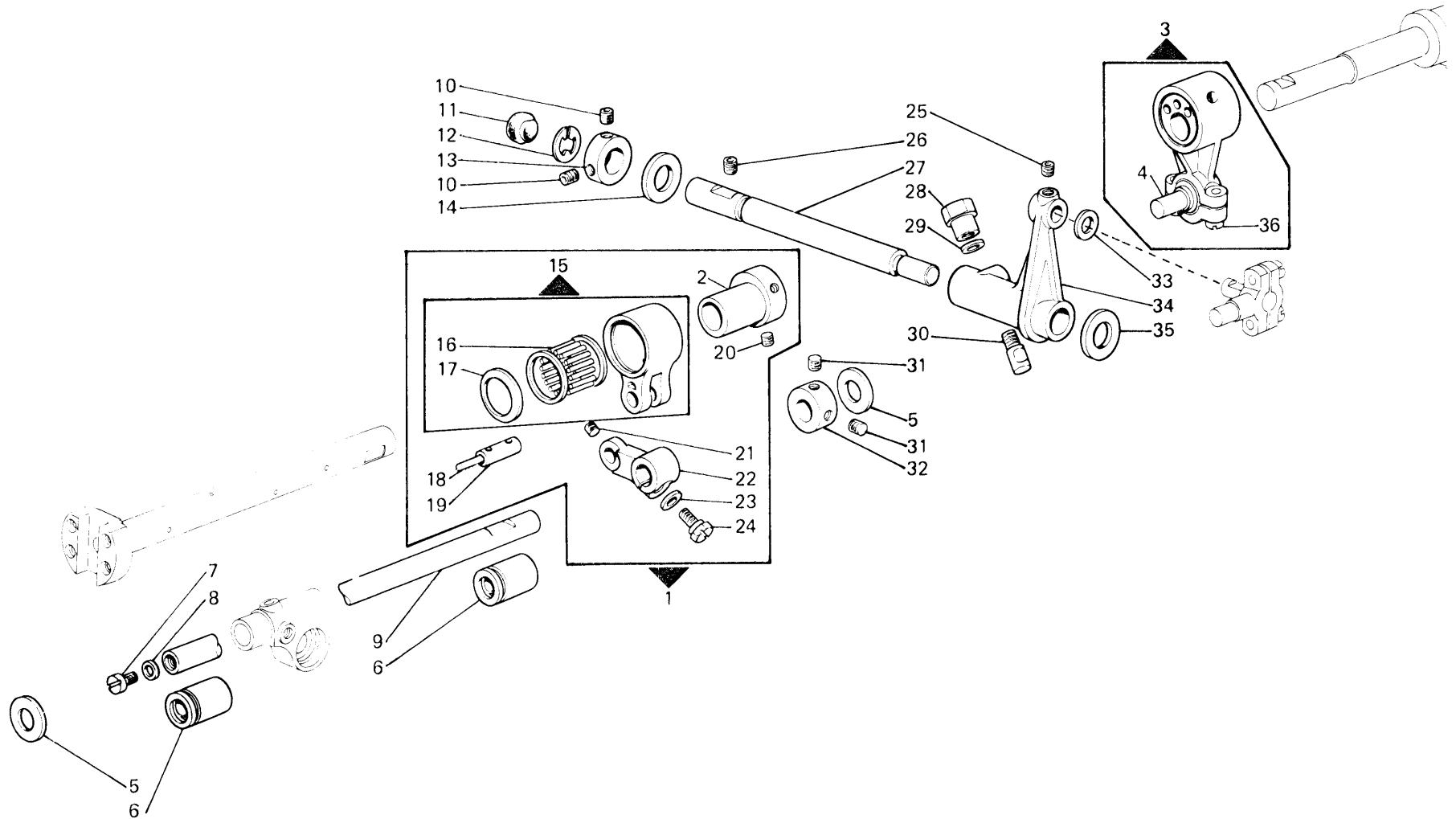
Rim[®] TAV.5

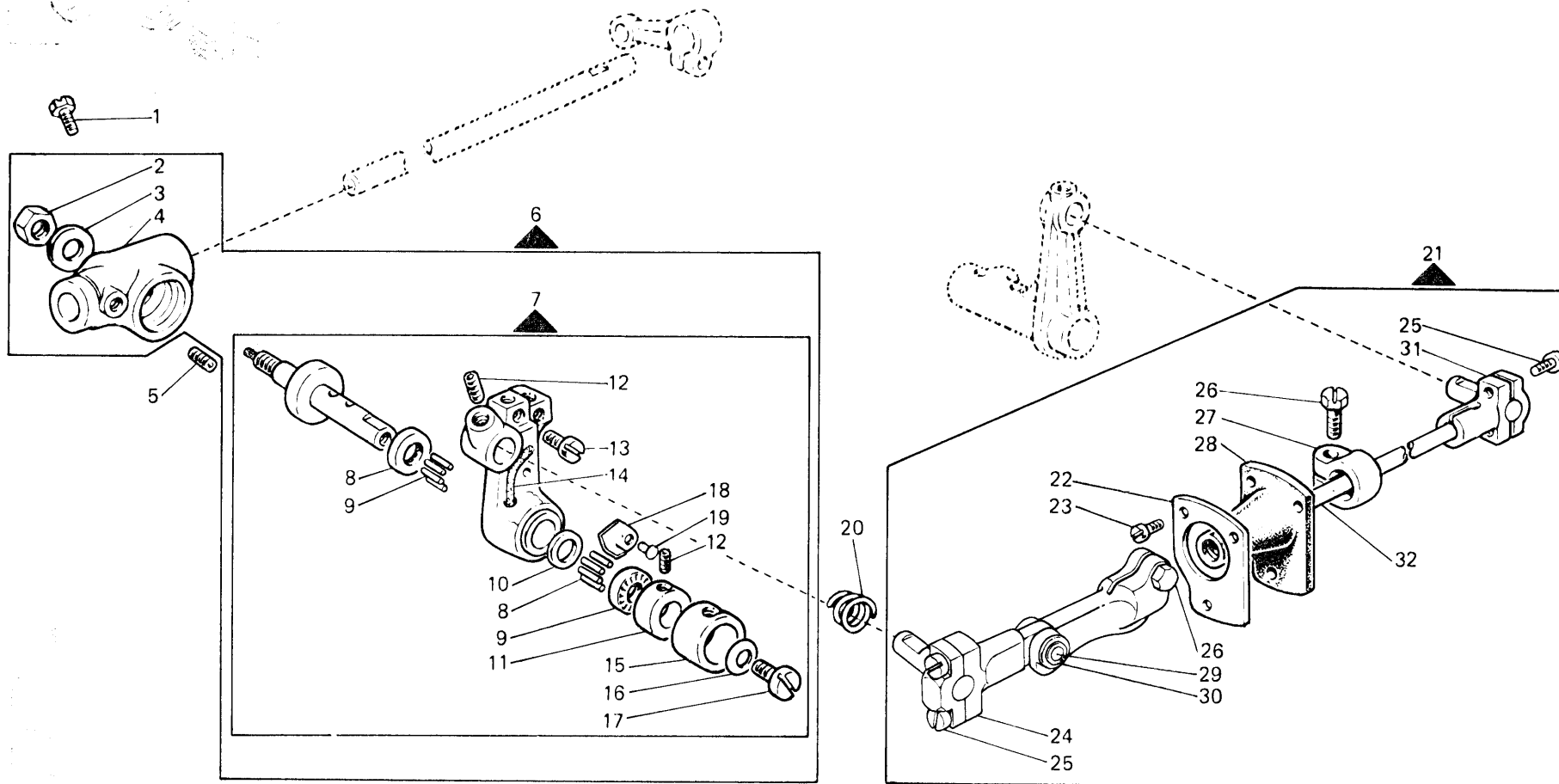


| Fig. N. | Part N. Piece N. | Qt. |
|---------|---------------------|-----|
| 1 | 706454-0-00 | 2 |
| 2 | 308859-2-01 | 1 |
| 3 | 722084-2-00 | 4 |
| 4 | 745124-0-00 | 2 |
| 5 | 206708-0-00 | 1 |
| 6 | 301586-0-10 | 1 |
| 7 | 704852-0-00 | 1 |
| 8 | 314169-0-00 | 1 |
| 9 | 308851-2-01 | 1 |
| 10 | 308852-0-10 | 1 |
| 11 | 308853-0-02 | 1 |
| 12 | 745827-2-00 | 2 |
| 13 | 308015-0-00 | 1 |
| 14 | 308009-0-10 | 1 |
| 15 | 308293-0-02 | 1 |
| 16 | 704869-0-00 | 3 |
| 17 | 730033-2-00 | 1 |
| 18 | 309831-2-00 | 1 |
| 19 | 314183-0-00 | 1 |
| 20 | 308086-0-11 | 1 |
| 21 | 729013-2-00 | 5 |
| 22 | 309830-2-00 | 2 |
| 23 | 741056-0-00 | 4 |
| 24 | 302272-0-10 | 2 |
| 25 | 308178-4-02 | 1 |
| 26 | 704213-2-00 | 2 |
| 27 | 722149-2-00 | 1 |
| 28 | 740888-2-00 | 2 |
| 29 | 745812-2-00 | 1 |
| 30 | 730022-2-00 | 1 |
| 31 | 308159-2-11 | 1 |
| 32 | 308166-0-01 | 1 |
| 33 | 308174-3-11 | 1 |
| 34 | 308013-4-03 | 1 |
| 35 | 700596-0-00 | 1 |
| 36 | 308389-0-00 | 1 |
| 37 | 308012-2-11 | 1 |
| 38 | 302334-0-10 | 1 |
| 39 | 308127-0-00 | 1 |
| 40 | 730054-2-00 | 1 |
| 41 | 742222-2-00 | 3 |
| 42 | 308407-4-00 | 1 |
| 43 | 308197-0-00 | 1 |
| 44 | 741984-2-00 | 3 |
| 45 | 308199-0-00 | 1 |
| 46 | 308410-0-00 | 1 |
| 47 | 729044-2-00 | 1 |
| 48 | 308405-2-00 | 1 |

Rim® TAV.6

| Fig. N. | Part. N. Piece N. | Qt. |
|---------|----------------------|-----|
| 1 | 308340-4-00 | 1 |
| 2 | 308029-2-00 | 1 |
| 3 | 308253-3-00 | 1 |
| 4 | 308311-0-00 | 1 |
| 5 | 704846-0-00 | 2 |
| 6 | 308297-0-00 | 2 |
| 7 | 202397-0-10 | 1 |
| 8 | 705734-0-00 | 1 |
| 9 | 308292-4-00 | 1 |
| 10 | 729013-2-00 | 2 |
| 11 | 308047-0-10 | 1 |
| 12 | 700212-0-00 | 1 |
| 13 | 311385-2-00 | 1 |
| 14 | 704842-0-00 | 1 |
| 15 | 301459-4-10 | 1 |
| 16 | 301580-0-10 | 1 |
| 17 | 201143-0-10 | 2 |
| 18 | 778238-0-00 | 1 |
| 19 | 300209-0-10 | 1 |
| 20 | 727215-0-00 | 2 |
| 21 | 729011-2-00 | 1 |
| 22 | 303459-2-11 | 1 |
| 23 | 704218-2-00 | 1 |
| 24 | 300377-0-10 | 1 |
| 25 | 745815-2-00 | 1 |
| 26 | 729434-2-00 | 1 |
| 27 | 308044-0-10 | 1 |
| 28 | 300351-0-11 | 1 |
| 29 | 704309-4-00 | 1 |
| 30 | 300352-0-10 | 1 |
| 31 | 745136-2-00 | 2 |
| 32 | 309838-2-02 | 1 |
| 33 | 705834-0-00 | 1 |
| 34 | 308045-0-01 | 1 |
| 35 | 704849-0-00 | 1 |
| 36 | 308802-0-00 | 2 |

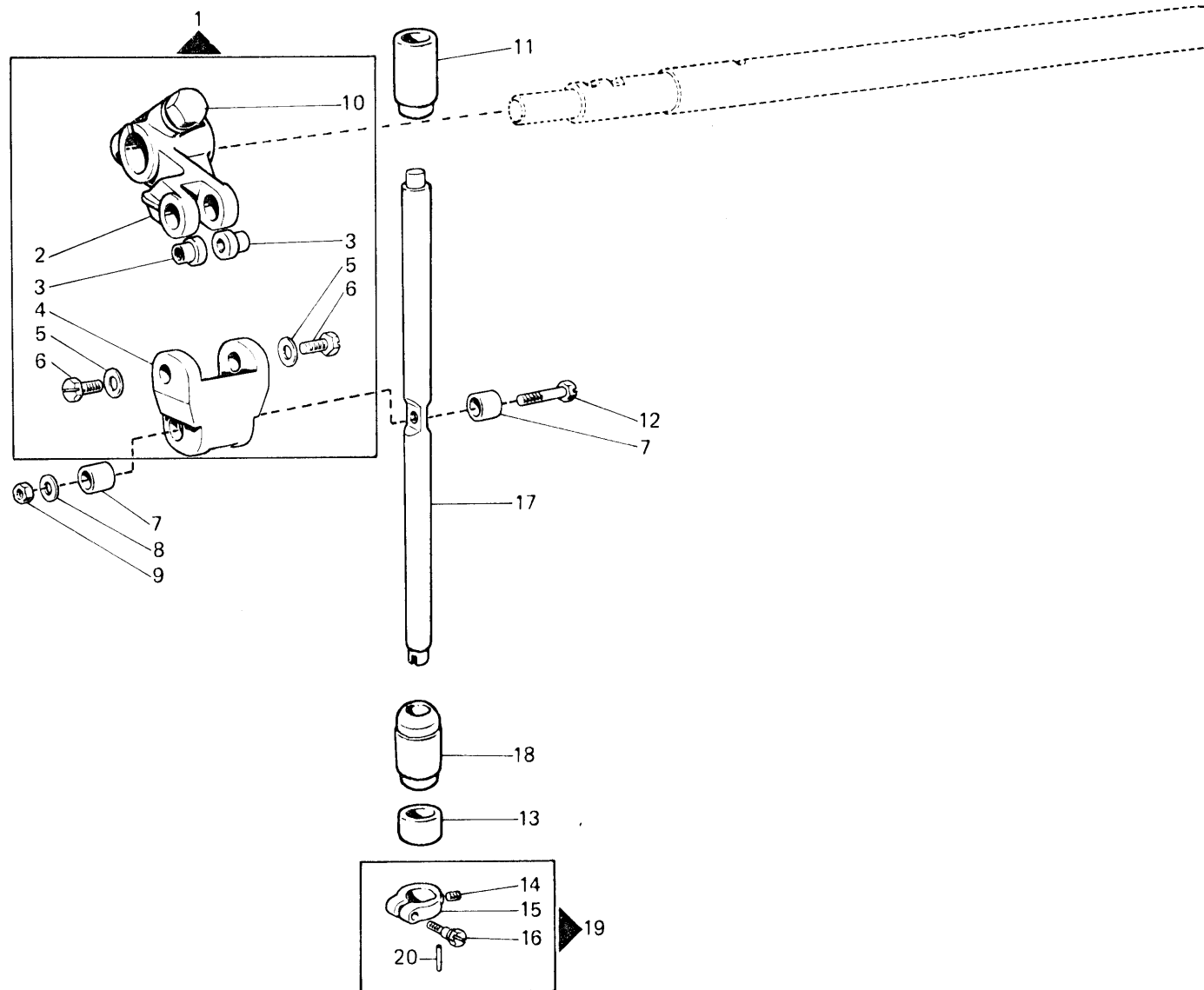


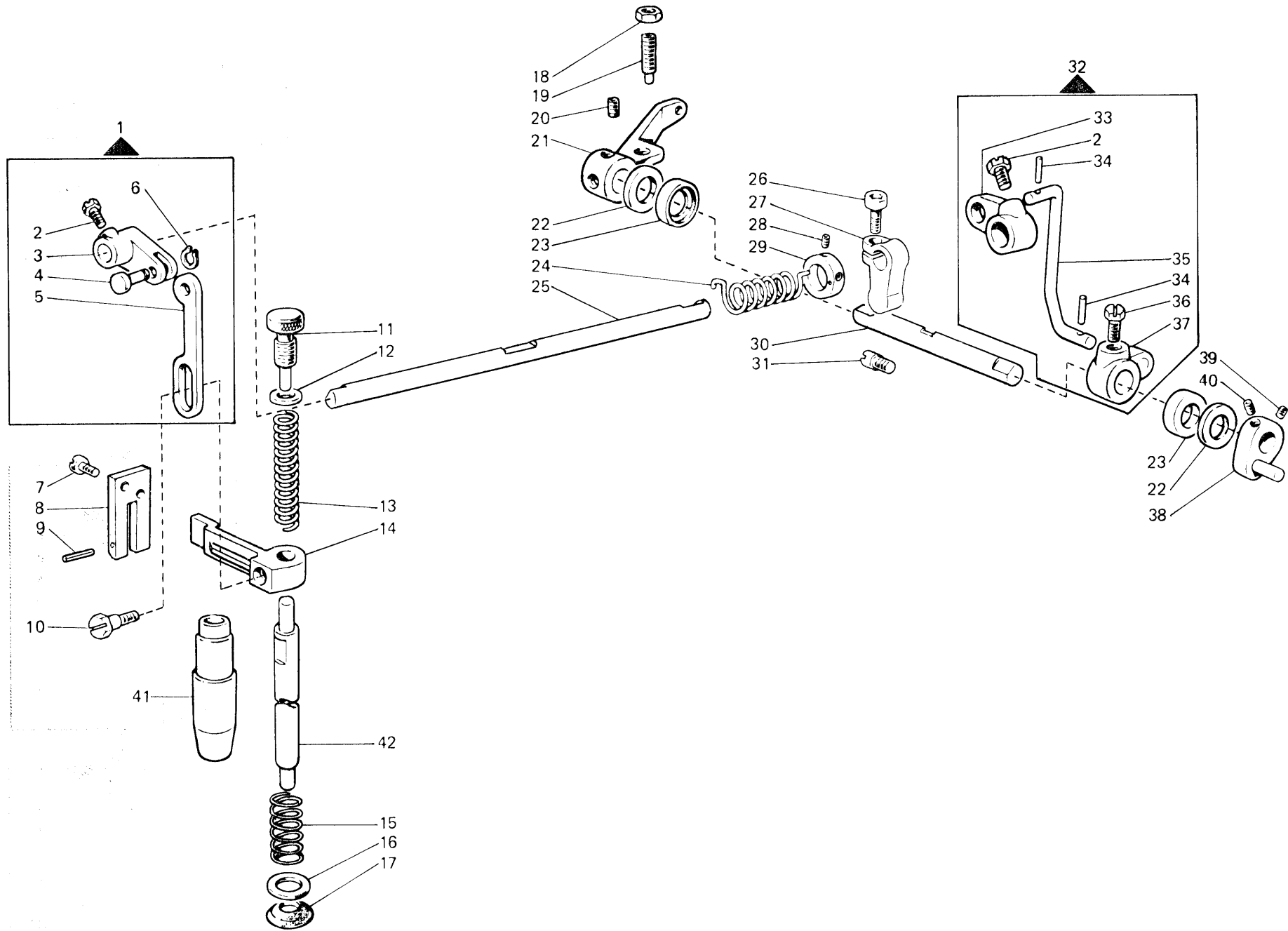


| Fig. N. | Part. N. Piece N. | Qt. |
|---------|----------------------|-----|
| 1 | 740226-0-00 | 1 |
| 2 | 202474-0-10 | 1 |
| 3 | 704226-2-00 | 1 |
| 4 | 308140-0-00 | 1 |
| 5 | 730033-2-00 | 1 |
| 6 | 308263-4-00 | 1 |
| 7 | 312811-3-00 | 1 |
| 8 | 303539-0-00 | 2 |
| 9 | 302276-0-10 | 40 |
| 10 | 703810-0-00 | 1 |
| 11 | 302052-2-21 | 1 |
| 12 | 745815-2-00 | 3 |
| 13 | 303503-0-10 | 2 |
| 14 | 778827-0-00 | 2 |
| 15 | 303538-0-00 | 1 |
| 16 | 702403-0-00 | 1 |
| 17 | 742423-0-00 | 1 |
| 18 | 308272-0-00 | 1 |
| 19 | 308273-0-00 | 1 |
| 20 | 302289-0-10 | 1 |
| 21 | 308459-4-00 | 1 |
| 22 | 308327-0-00 | 1 |
| 23 | 741675-2-00 | 3 |
| 24 | 308458-3-00 | 1 |
| 25 | 744040-2-00 | 4 |
| 26 | 305194-0-00 | 2 |
| 27 | 308326-2-01 | 1 |
| 28 | 308330-3-01 | 1 |
| 29 | 302393-0-00 | 1 |
| 30 | 700004-0-00 | 2 |
| 31 | 308325-3-01 | 1 |
| 32 | 308334-0-01 | 1 |

Rim[®] TAV.8

| Fig. N. | Part. N. Piece N. | Qt. |
|---------|----------------------|-----|
| 1 | 308006-4-00 | 1 |
| 2 | 308036-2-01 | 1 |
| 3 | 308037-0-01 | 2 |
| 4 | 308038-0-10 | 1 |
| 5 | 704210-4-00 | 2 |
| 6 | 309039-0-01 | 2 |
| 7 | 308041-0-00 | 2 |
| 8 | 703005-0-00 | 1 |
| 9 | 302338-0-10 | 1 |
| 10 | 740888-2-00 | 1 |
| 11 | 308032-0-00 | 1 |
| 12 | 308042-0-00 | 1 |
| 13 | 308218-0-00 | 1 |
| 14 | 745001-2-00 | 1 |
| 15 | 302591-2-11 | 1 |
| 16 | 302352-0-10 | 1 |
| 17 | 308220-0-00 | 1 |
| 18 | 308031-0-01 | 1 |
| 19 | 302590-4-10 | 1 |
| 20 | 302292-0-10 | 2 |

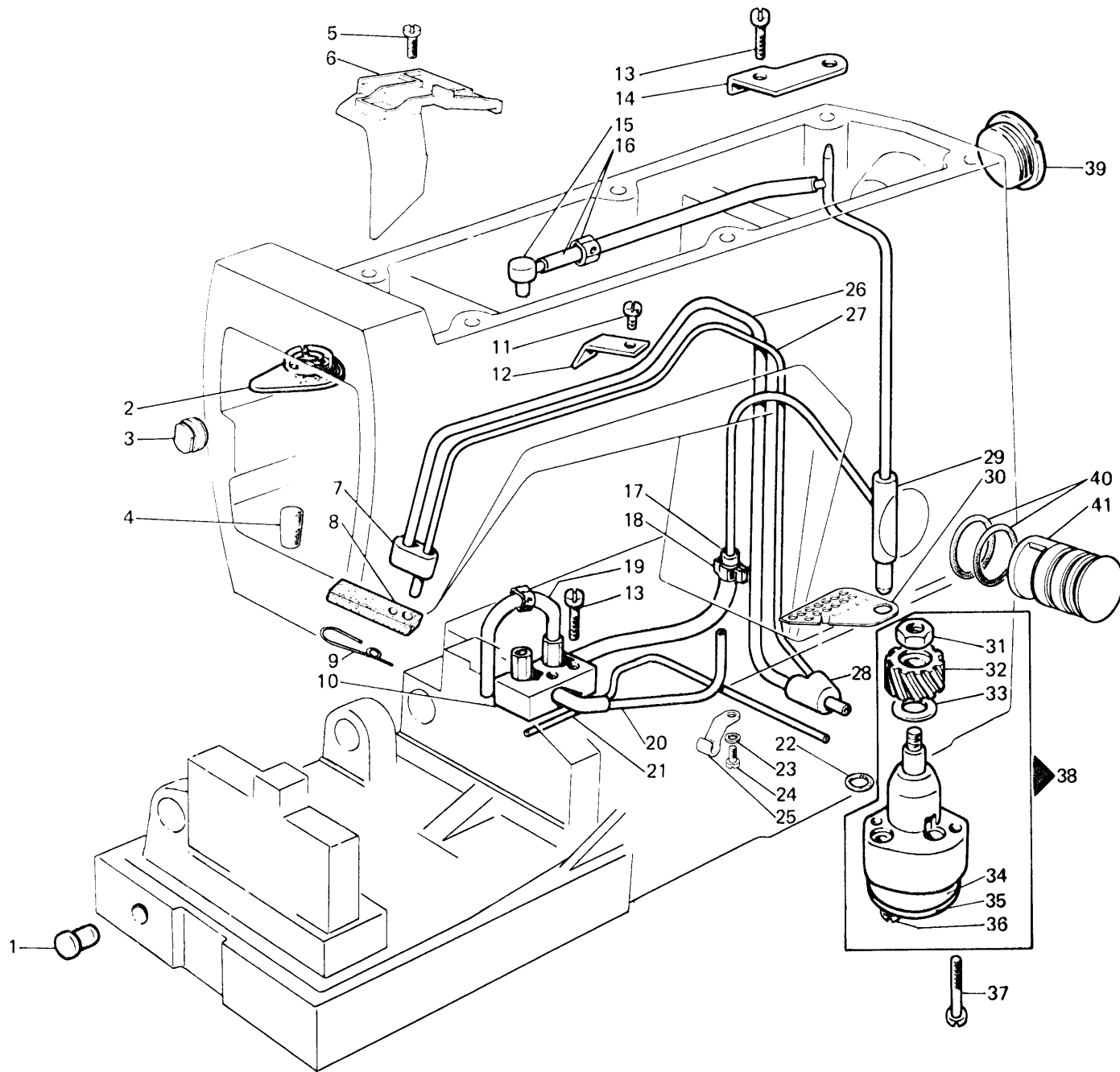


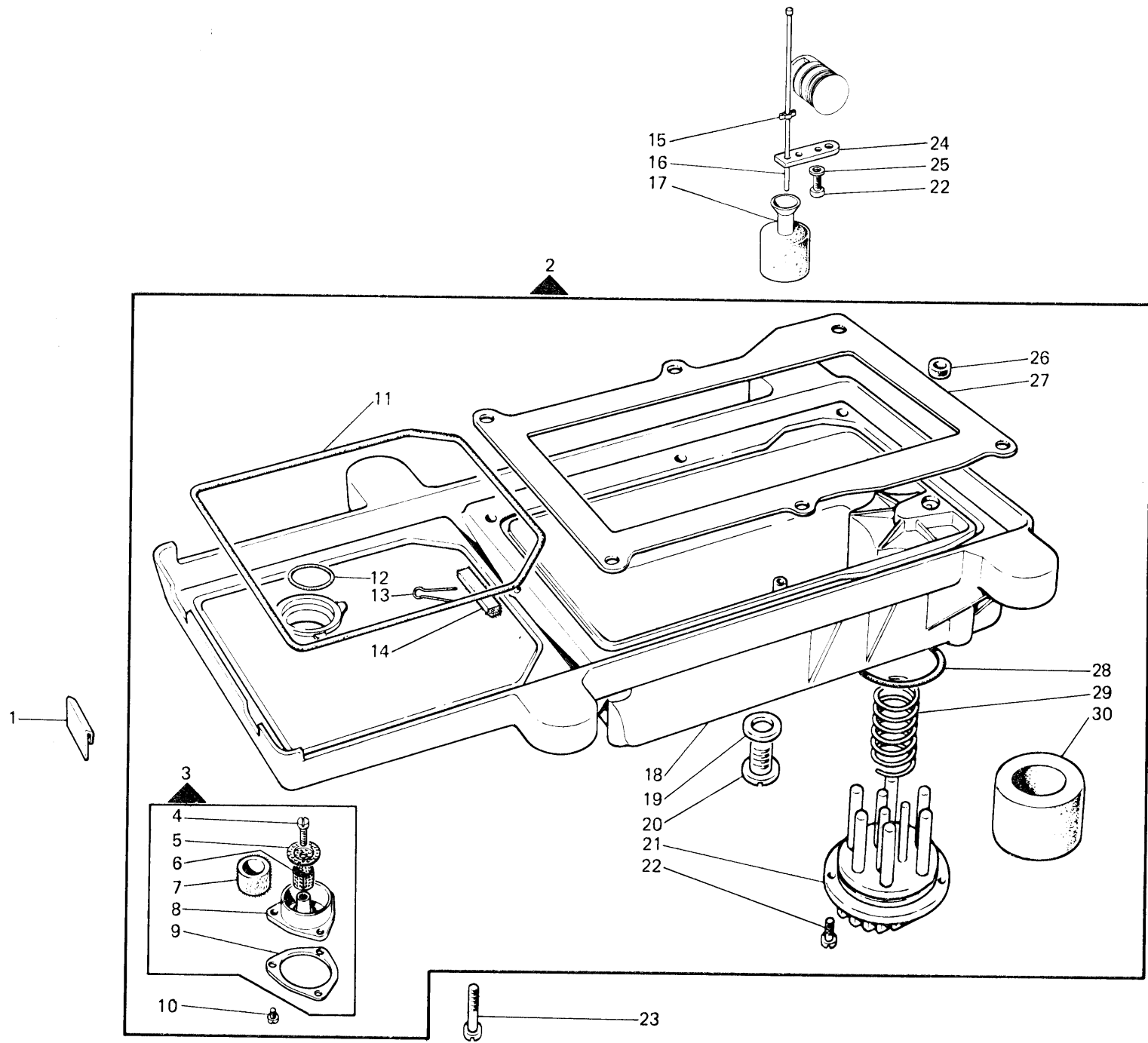


| Fig. N. | Part. N. Pecce N. | Qt. |
|---------|----------------------|-----|
| 1 | 308060-4-10 | 1 |
| 2 | 740632-2-00 | 2 |
| 3 | 308059-0-01 | 1 |
| 4 | 308058-0-00 | 1 |
| 5 | 308057-0-10 | 1 |
| 6 | 700205-0-00 | 1 |
| 7 | 721494-2-00 | 2 |
| 8 | 308052-4-00 | 1 |
| 9 | 707240-0-00 | 1 |
| 10 | 740444-2-00 | 1 |
| 11 | 302060-0-11 | 1 |
| 12 | 302344-0-10 | 1 |
| 13 | 302059-0-10 | 1 |
| 14 | 308055-2-00 | 1 |
| 15 | 308148-0-00 | 1 |
| 16 | 704236-2-00 | 1 |
| 17 | 308054-0-01 | 1 |
| 18 | 746204-2-00 | 1 |
| 19 | 729904-2-00 | 1 |
| 20 | 729034-2-00 | 2 |
| 21 | 308062-2-01 | 1 |
| 22 | 704240-2-00 | 2 |
| 23 | 304763-0-10 | 2 |
| 24 | 308098-0-00 | 1 |
| 25 | 302234-0-20 | 1 |
| 26 | 744332-2-00 | 1 |
| 27 | 308412-2-02 | 1 |
| 28 | 745827-2-00 | 2 |
| 29 | 308767-2-11 | 1 |
| 30 | 308996-0-03 | 1 |
| 31 | 308007-0-00 | 1 |
| 32 | 308320-4-10 | 1 |
| 33 | 302232-0-10 | 1 |
| 34 | 707241-0-00 | 2 |
| 35 | 313624-0-00 | 1 |
| 36 | 740034-0-00 | 1 |
| 37 | 302238-0-11 | 1 |
| 38 | 308495-2-01 | 1 |
| 39 | 727834-2-00 | 1 |
| 40 | 745126-2-00 | 1 |
| 41 | 308406-0-00 | 1 |
| 42 | 308061-0-01 | 1 |

Rim® TAV.10

| Fig. N. | Part N. Piece N. | Qt. |
|---------|---------------------|-----|
| 1 | 202398-0-10 | 1 |
| 2 | 308215-0-00 | 1 |
| 3 | 202027-0-10 | 1 |
| 4 | 308094-0-00 | 1 |
| 5 | 721444-2-00 | 1 |
| 6 | 308138-0-13 | 1 |
| 7 | 308123-0-00 | 1 |
| 8 | 307991-0-00 | 1 |
| 9 | 307990-0-00 | 1 |
| 10 | 308114-2-00 | 1 |
| 11 | 721424-2-00 | 1 |
| 12 | 308184-0-00 | 1 |
| 13 | 721514-0-00 | 4 |
| 14 | 308104-0-00 | 1 |
| 15 | 308214-0-00 | 1 |
| 16 | 308040-2-00 | 1 |
| 17 | 308207-0-00 | 1 |
| 18 | 308043-0-00 | 1 |
| 19 | 310561-2-00 | 1 |
| 20 | 790315-0-00 | 1 |
| 21 | 790325-0-00 | 1 |
| 22 | 701004-0-00 | 1 |
| 23 | 703005-0-00 | 1 |
| 24 | 722063-2-00 | 1 |
| 25 | 923612-0-00 | 1 |
| 26 | 790342-0-00 | 1 |
| 27 | 790242-0-00 | 1 |
| 28 | 308185-0-00 | 1 |
| 29 | 308180-2-01 | 1 |
| 30 | 305666-0-00 | 1 |
| 31 | 733507-2-00 | 1 |
| 32 | 206437-0-00 | 1 |
| 33 | 704813-0-00 | 1 |
| 34 | 308110-3-10 | 1 |
| 35 | 308111-0-00 | 1 |
| 36 | 741082-2-00 | 2 |
| 37 | 741092-0-00 | 2 |
| 38 | 308105-4-05 | 1 |
| 39 | 302356-0-10 | 1 |
| 40 | 701031-0-00 | 2 |
| 41 | 206669-3-11 | 1 |

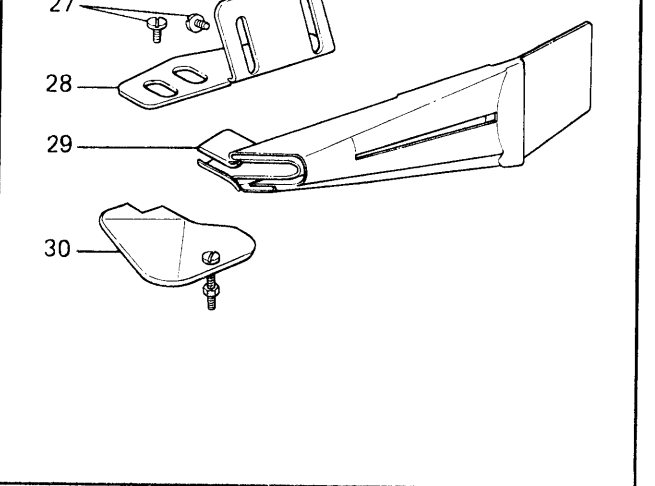
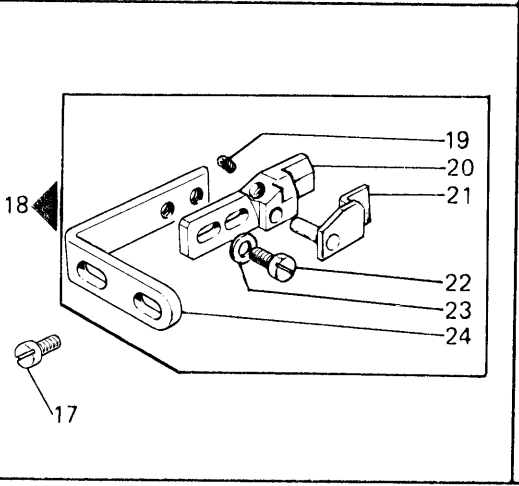
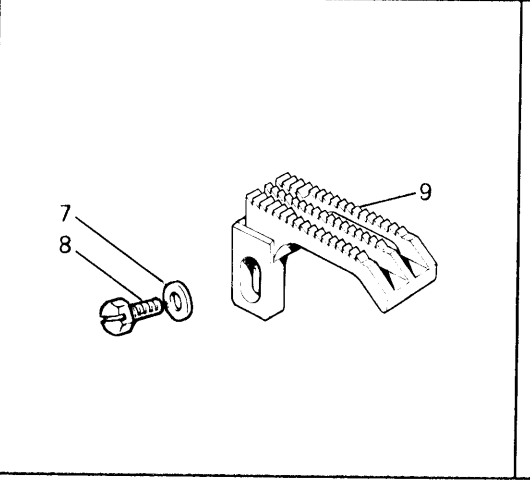
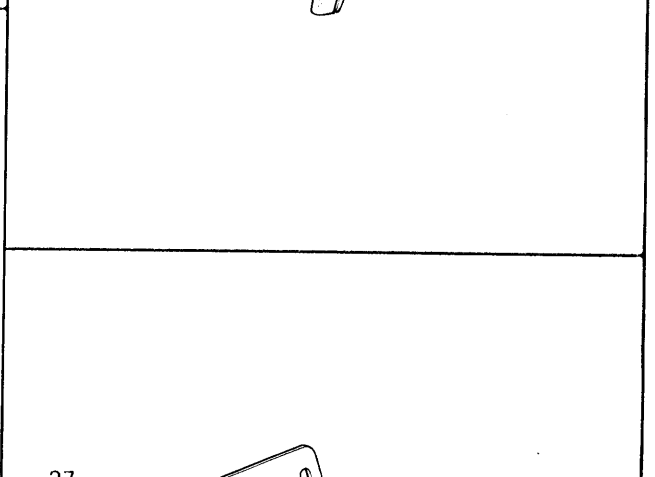
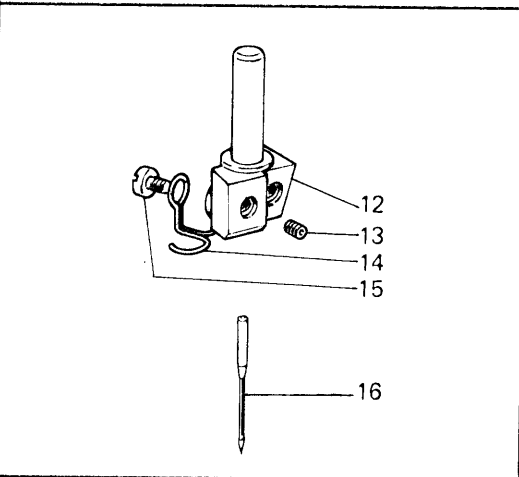
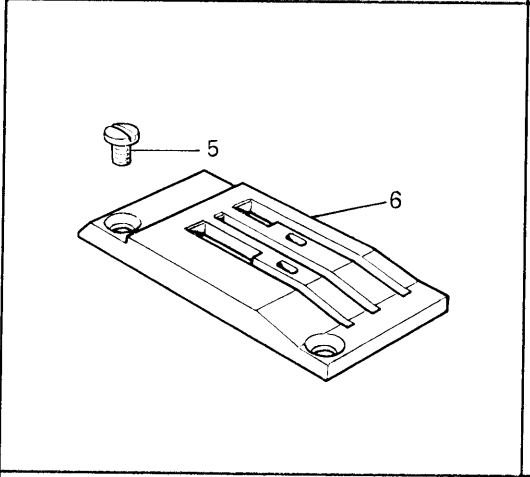
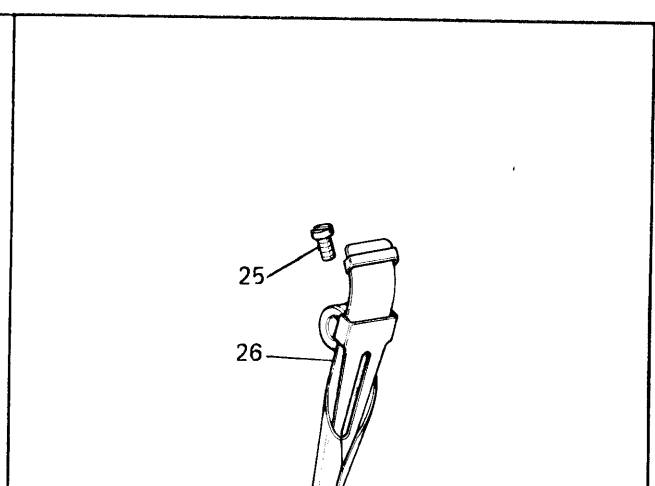
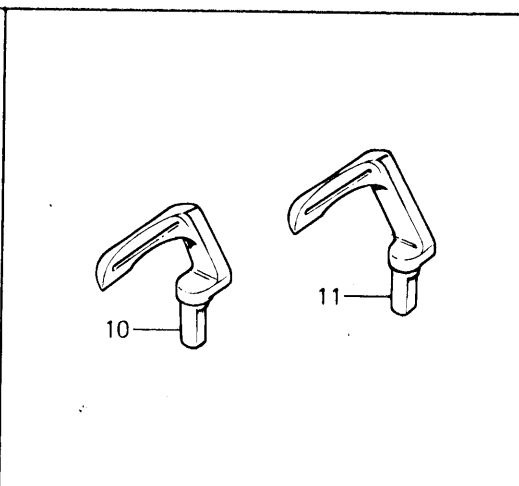
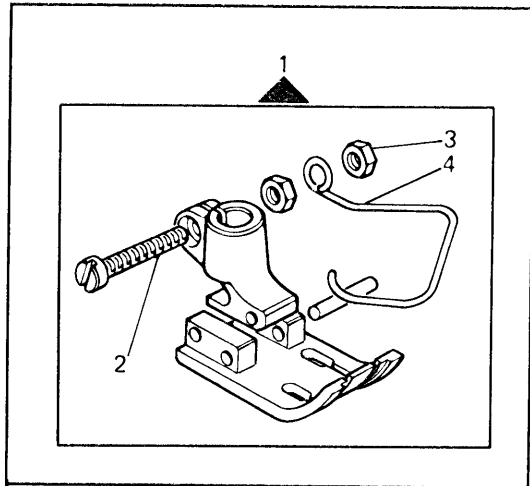




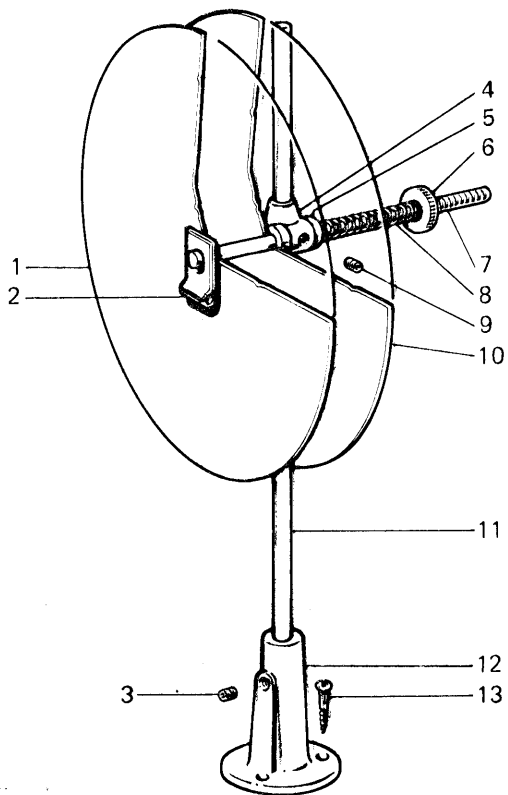
| Fig. N. | Part. N. Piece N. | Qt. |
|---------|----------------------|-----|
| 1 | 308002-0-00 | 2 |
| 2 | 308558-4-10 | 1 |
| 3 | 308331-4-01 | 1 |
| 4 | 721484-2-00 | 1 |
| 5 | 308209-0-00 | 1 |
| 6 | 308210-0-00 | 1 |
| 7 | 308206-0-00 | 1 |
| 8 | 308208-0-00 | 1 |
| 9 | 308179-0-00 | 1 |
| 10 | 722411-2-00 | 3 |
| 11 | 308125-0-01 | 1 |
| 12 | 701134-0-00 | 1 |
| 13 | 308957-0-00 | 1 |
| 14 | 308213-0-00 | 1 |
| 15 | 308043-0-00 | 1 |
| 16 | 308379-2-10 | 1 |
| 17 | 308228-2-00 | 1 |
| 18 | 308576-2-20 | 1 |
| 19 | 705977-0-00 | 1 |
| 20 | 206564-0-00 | 1 |
| 21 | 206560-0-10 | 1 |
| 22 | 722063-2-00 | 3 |
| 23 | 722453-2-00 | 6 |
| 24 | 308226-0-03 | 1 |
| 25 | 703005-0-00 | 1 |
| 26 | 308113-0-00 | 1 |
| 27 | 311395-0-00 | 1 |
| 28 | 701051-0-00 | 1 |
| 29 | 206545-0-00 | 1 |
| 30 | 206559-0-00 | 1 |

Rim[®] TAV. 12

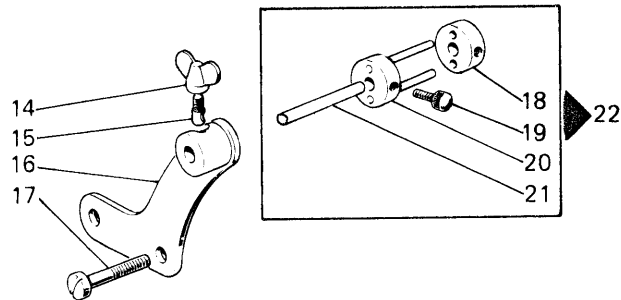
| Fig. N. | Part. N. Piece N. | Qt. |
|---------|----------------------|-----|
| 1 | 306649-3-01 | 1 |
| 2 | 741781-2-00 | 1 |
| 3 | 733504-2-00 | 2 |
| 4 | 990806-0-00 | 1 |
| 5 | 744730-2-00 | 2 |
| 6 | 303359-0-11 | 1 |
| 7 | 704406-0-00 | 1 |
| 8 | 304684-0-10 | 1 |
| 9 | 308711-0-00 | 1 |
| 10 | 301426-0-12 | 1 |
| 11 | 301425-0-12 | 1 |
| 12 | 309850-4-00 | 1 |
| 13 | 745810-2-00 | 2 |
| 14 | 309767-0-00 | 1 |
| 15 | 741620-2-00 | 1 |
| 16 | 766200-6-80 | 2 |
| 17 | 300483-0-10 | 2 |
| 18 | 303358-4-13 | 1 |
| 19 | 745810-2-00 | 1 |
| 20 | 303357-0-13 | 1 |
| 21 | 303361-2-11 | 1 |
| 22 | 741936-2-00 | 2 |
| 23 | 704306-0-00 | 2 |
| 24 | 303157-0-12 | 1 |
| 25 | 721435-2-00 | 1 |
| 26 | 303375-3-10 | 1 |
| 27 | 742023-0-00 | 4 |
| 28 | 310451-0-90 | 1 |
| 29 | 310450-4-90 | 1 |
| 30 | 310452-4-90 | 1 |



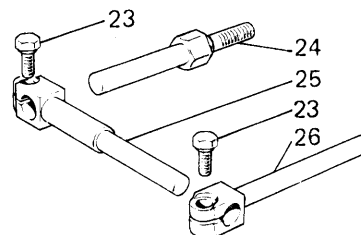
990629-4-12



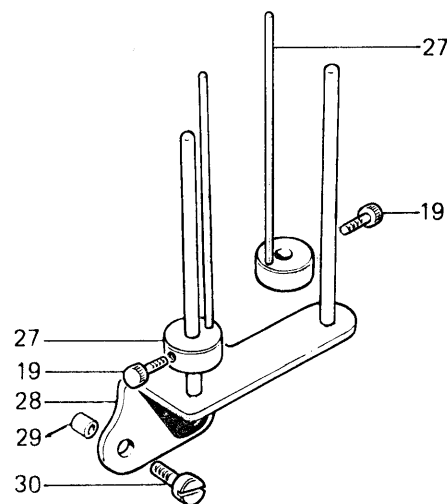
930428-4-10



930431-4-10



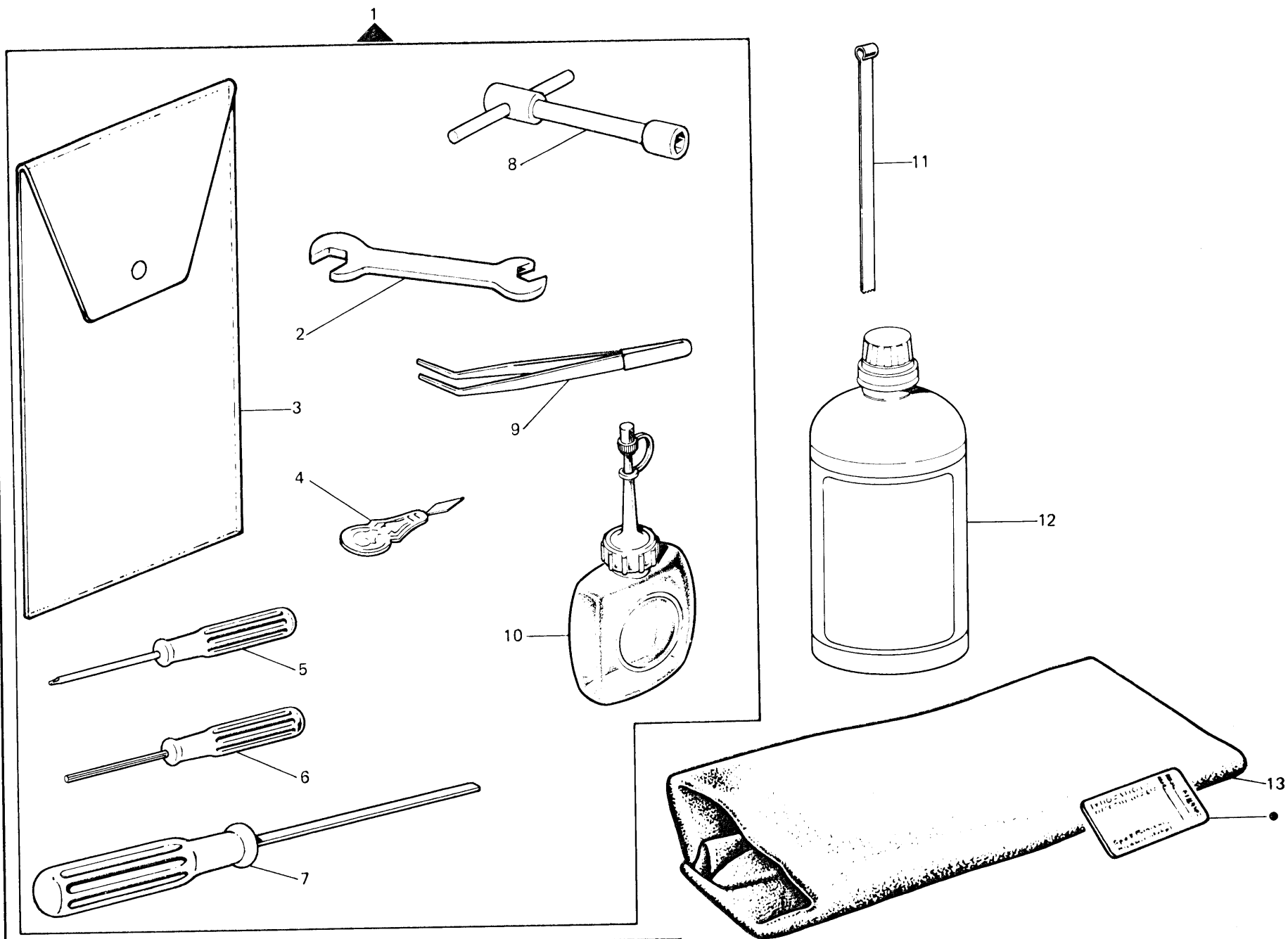
930000-4-12



| Fig. N. | Part. N. Piese N. | Qt. |
|---------|----------------------|-----|
| 1 | 990626-0-10 | 1 |
| 2 | 990610-0-10 | 1 |
| 3 | 729054-2-00 | 1 |
| 4 | 991153-2-00 | 1 |
| 5 | 990615-0-10 | 2 |
| 6 | 990613-0-10 | 1 |
| 7 | 990609-0-10 | 1 |
| 8 | 990614-0-10 | 1 |
| 9 | 729024-2-00 | 2 |
| 10 | 990628-2-10 | 1 |
| 11 | 990592-0-11 | 1 |
| 12 | 991114-2-00 | 1 |
| 13 | 731107-2-00 | 3 |
| 14 | 930136-0-10 | 1 |
| 15 | 930094-0-10 | 1 |
| 16 | 930427-3-10 | 1 |
| 17 | 930281-0-11 | 2 |
| 18 | 930094-0-10 | 1 |
| 19 | 930096-0-10 | 4 |
| 20 | 930090-2-11 | 1 |
| 21 | 930081-0-10 | 1 |
| 22 | 930079-4-10 | 1 |
| 23 | 740051-2-00 | 2 |
| 24 | 304107-0-10 | 1 |
| 25 | 930430-2-10 | 1 |
| 26 | 930432-2-10 | 1 |
| 27 | 930004-2-21 | 2 |
| 28 | 930006-2-21 | 1 |
| 29 | 930640-0-10 | 2 |
| 30 | 722493-2-00 | 2 |

Rim® TAV.14

| Fig. N. | Part. N. Piece N. | Qt. |
|---------|----------------------|-----|
| 1 | 991408-4-02 | 1 |
| 2 | 990193-0-00 | 1 |
| 3 | 991415-0-00 | 1 |
| 4 | 990188-0-10 | 1 |
| 5 | 990069-0-00 | 1 |
| 6 | 990474-0-11 | 1 |
| 7 | 990723-0-00 | 1 |
| 8 | 990587-0-11 | 1 |
| 9 | 990176-0-10 | 1 |
| 10 | 990175-0-10 | 1 |
| 11 | 930105-0-10 | 1 |
| 12 | 991280-0-00 | 1 |
| 13 | 990578-0-13 | 1 |

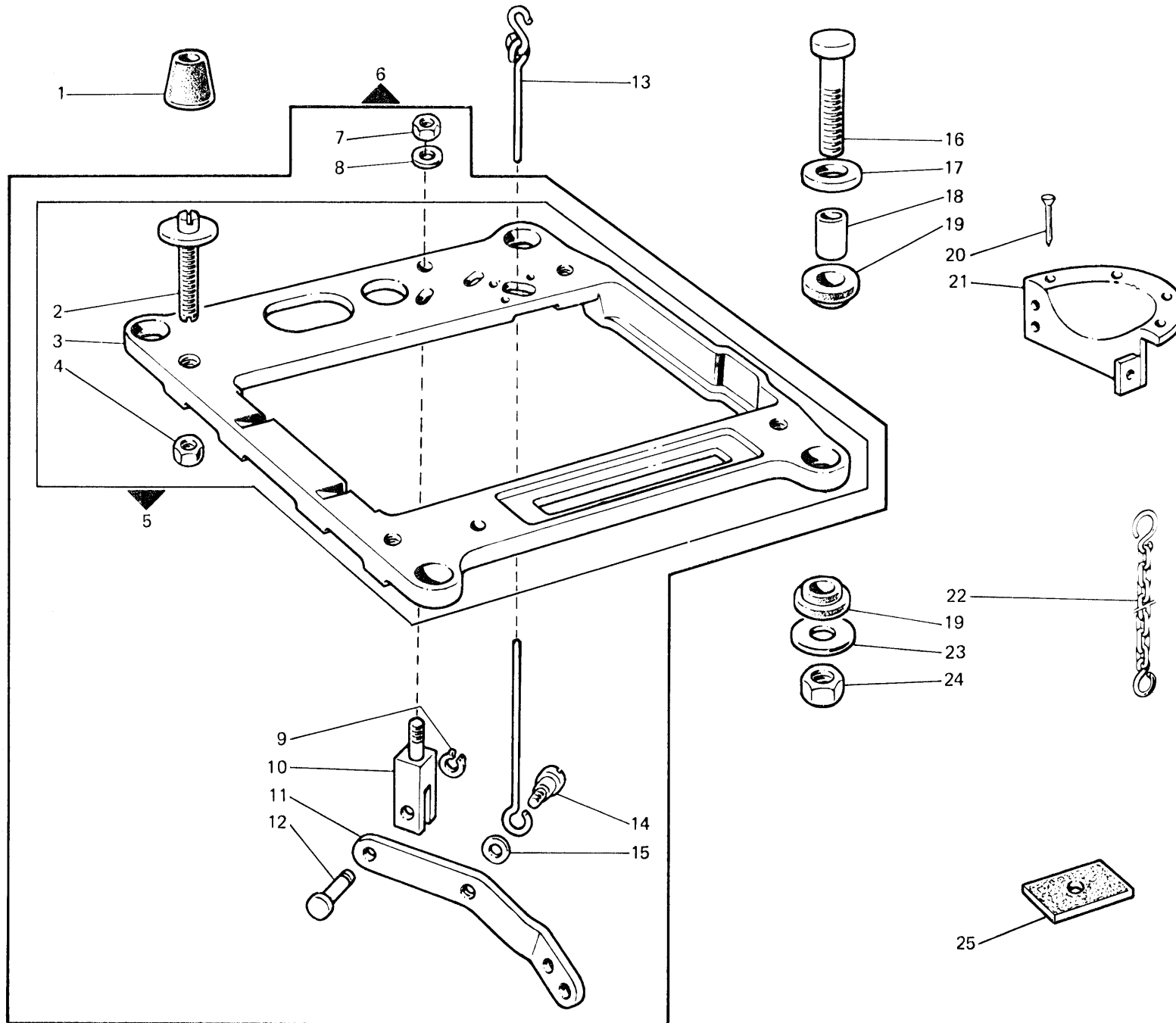


● Per l'ordinazione della bustina
 citare lo stesso simbolo dell'ago
 montato sulla testa

To order packet of needles
 please specify symbol of
 needle fitted on machine

Pour commander un sachet
 d'aiguille donner le symbol de
 l'aiguille montee sur la tête

PIAZZAMENTO NORMALE
NORMAL SETTING
PLACEMENT NORMAL



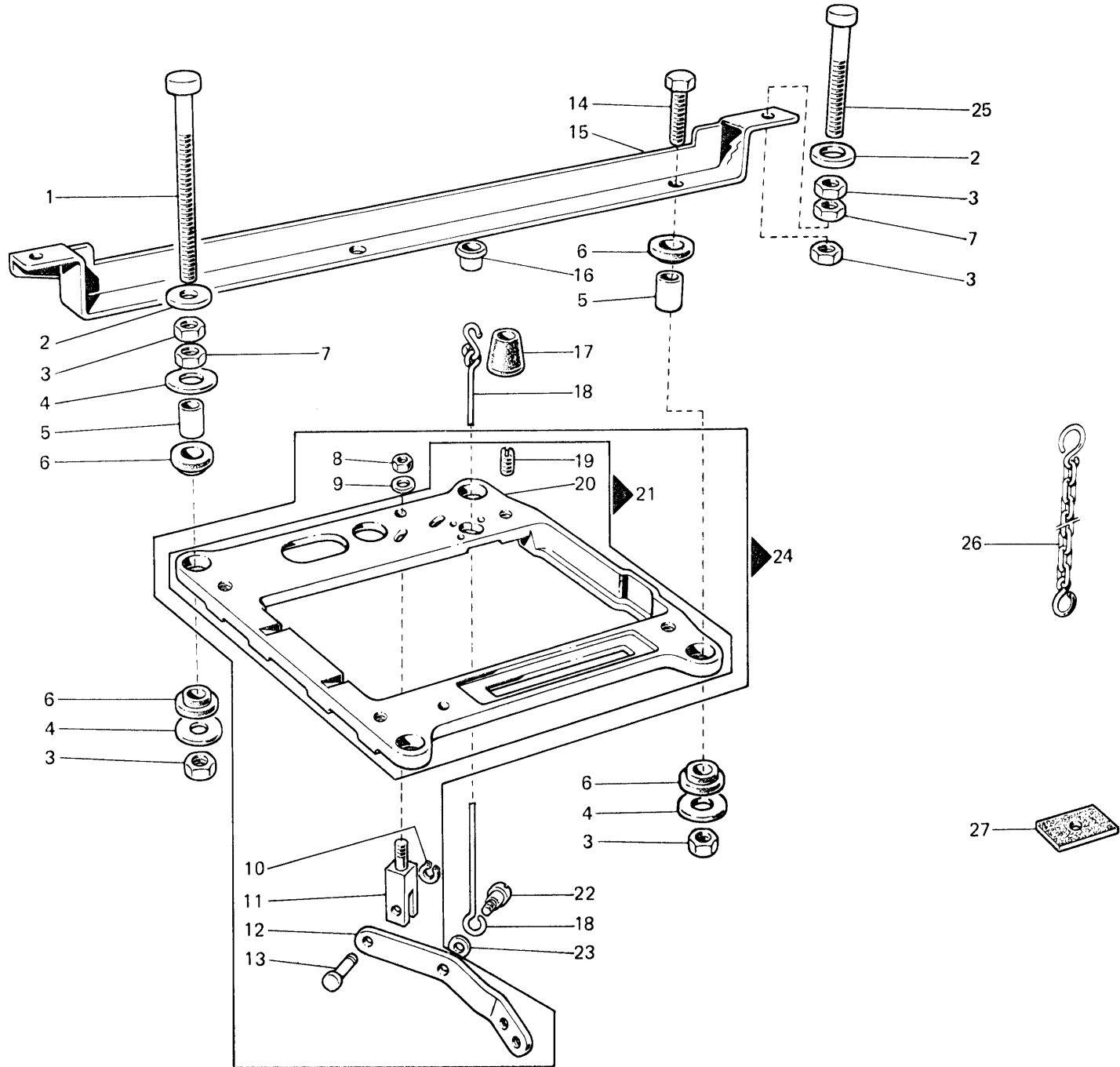
Rim® TAV.15

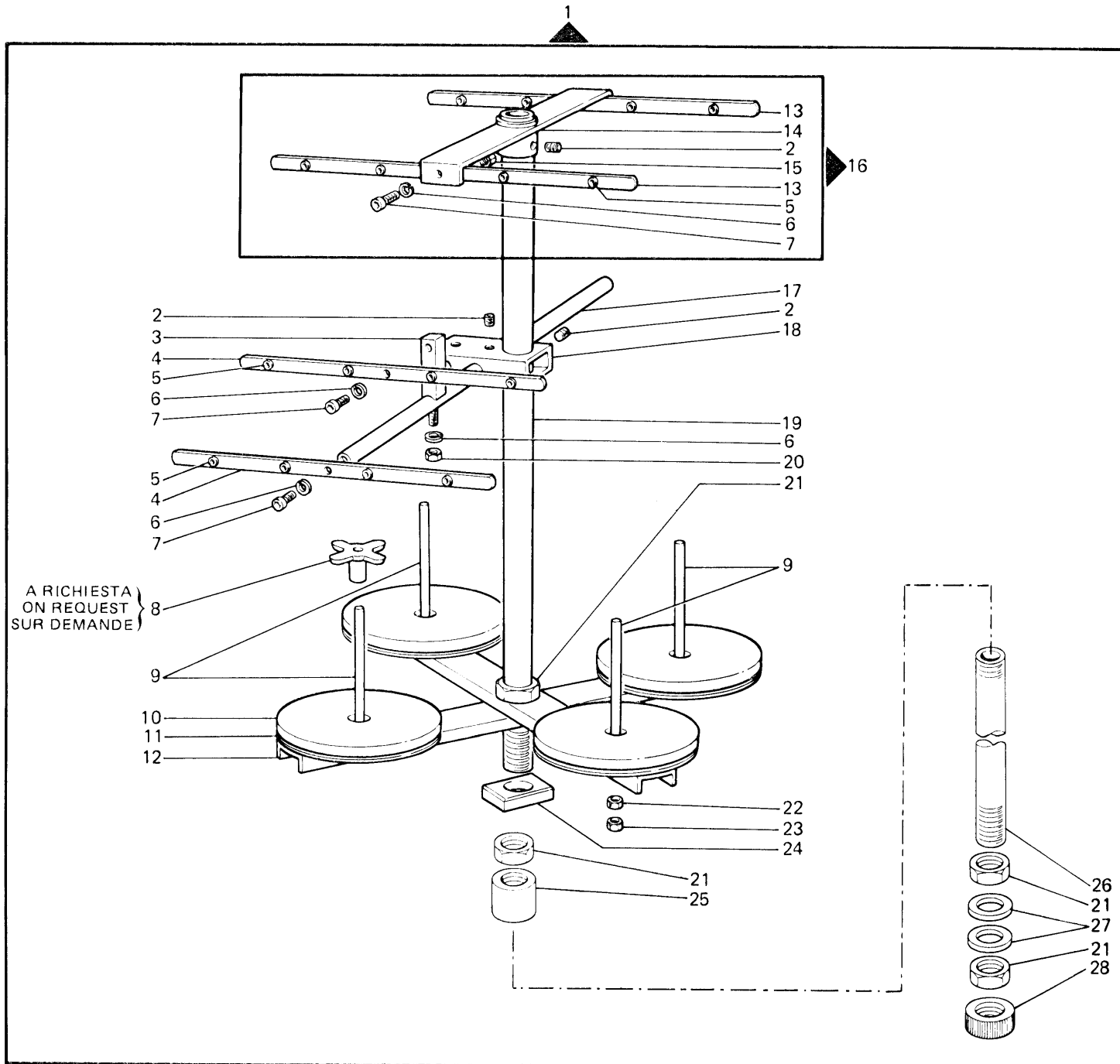
| Fig. N. | Part. N. Piece N. | Qt. |
|---------|----------------------|-----|
| 1 | 990982-0-00 | 4 |
| 2 | 990694-0-11 | 4 |
| 3 | 991250-0-01 | 1 |
| 4 | 733008-2-00 | 4 |
| 5 | 991251-4-00 | 1 |
| 6 | 991253-4-00 | 1 |
| 7 | 746409-2-00 | 1 |
| 8 | 704316-2-00 | 1 |
| 9 | 700208-0-00 | 1 |
| 10 | 991256-0-00 | 1 |
| 11 | 991255-0-00 | 1 |
| 12 | 991257-0-00 | 1 |
| 13 | 991259-3-00 | 1 |
| 14 | 743541-2-00 | 1 |
| 15 | 704409-2-00 | 1 |
| 16 | 722905-2-00 | 4 |
| 17 | 704346-2-00 | 4 |
| 18 | 901102-0-00 | 4 |
| 19 | 901101-0-00 | 8 |
| 20 | 900201-0-10 | 7 |
| 21 | 990317-0-10 | 1 |
| 22 | 990174-4-11 | 1 |
| 23 | 704345-2-00 | 4 |
| 24 | 733813-0-00 | 4 |
| 25 | 900203-0-10 | 4 |

Rim® TAV.16

| Fig. N. | Part. N. Piece N. | Qt. |
|---------|----------------------|-----|
| 1 | 722920-2-00 | 2 |
| 2 | 704346-2-00 | 4 |
| 3 | 733813-0-00 | 10 |
| 4 | 704345-2-00 | 6 |
| 5 | 901102-0-00 | 4 |
| 6 | 901101-0-00 | 8 |
| 7 | 733008-2-00 | 4 |
| 8 | 746409-2-00 | 1 |
| 9 | 704316-2-00 | 1 |
| 10 | 700208-0-00 | 1 |
| 11 | 991256-0-00 | 1 |
| 12 | 991255-0-00 | 1 |
| 13 | 991257-0-00 | 1 |
| 14 | 720546-0-00 | 2 |
| 15 | 901251-2-00 | 1 |
| 16 | 900204-0-10 | 1 |
| 17 | 990982-0-00 | 4 |
| 18 | 991259-3-00 | 1 |
| 19 | 901253-0-00 | 4 |
| 20 | 991250-0-01 | 1 |
| 21 | 991252-4-00 | 1 |
| 22 | 743541-2-00 | 1 |
| 23 | 704310-2-00 | 1 |
| 24 | 991254-4-00 | 1 |
| 25 | 722907-2-00 | 2 |
| 26 | 990179-4-11 | 1 |
| 27 | 900203-0-10 | 4 |

PIAZZAMENTO INCASSATO
SUBMERGED SETTING
PLACEMENT ENCASTRE





| Fig. N. | Part. N. Piece N. | Qt. |
|---------|----------------------|-----|
| 1 | 991120-5-02 | 1 |
| 2 | 729034-2-00 | 3 |
| 3 | 991269-2-00 | 1 |
| 4 | 991108-2-01 | 2 |
| 5 | 991268-0-00 | 8 |
| 6 | 703005-0-00 | 5 |
| 7 | 722431-2-00 | 4 |
| 8 | 991134-0-00 | 4 |
| 9 | 991111-2-00 | 4 |
| 10 | 991179-0-01 | 4 |
| 11 | 991112-0-00 | 4 |
| 12 | 991199-0-00 | 2 |
| 13 | 991126-0-10 | 2 |
| 14 | 991247-2-00 | 1 |
| 15 | 733505-2-00 | 2 |
| 16 | 991194-4-00 | 1 |
| 17 | 991264-2-00 | 1 |
| 18 | 991279-2-00 | 1 |
| 19 | 991206-0-00 | 1 |
| 20 | 733806-0-00 | 1 |
| 21 | 733211-2-00 | 4 |
| 22 | 733508-2-00 | 6 |
| 23 | 925433-0-00 | 6 |
| 24 | 991172-0-00 | 2 |
| 25 | 991219-0-00 | 1 |
| 26 | 991267-0-00 | 1 |
| 27 | 704017-2-11 | 2 |
| 28 | 991383-0-10 | 1 |

Rimoldi Srl - 33, Via Montebello - 20020 Olcella - Milano (Italy)
Tel. (0331) 563.111 - Telex 332299 - 312243 - Telefax (0331) 563.485 - 563.564