

151-13 PER TESTE	627-00-1CD-01	627-00-2CD-18	629-00-2CD-01
151-33 FOR HEADS	627-00-1CD-02	627-00-2CD-32	629-00-2CD-05
151-D1 POUR TETES	627-00-1CD-07	627-00-2CD-41	629-00-2MD-01
151-G1	627-01-1CD-02	627-00-2CD-45	629-00-3MD-01
151-GA	627-01-1CD-03	627-00-2MD-20	629-12-2CD-02
	627-01-1CD-04	627-00-2MD-21	
	627-01-1CD-05	627-00-2MS-03	
	627-01-1CD-09	627-01-2CD-05	
	627-01-1MD-08	627-01-2CD-06	
	627-23-1CD-02	627-01-2CD-20	
	627-28-1CD-02	627-01-2MD-07	
	627-29-1CD-02	627-01-2MD-11	
	627-29-1CD-05	627-22-2CD-06	
	627-34-1CD-01		
	627-34-1KD-02		
	627-34-1KD-12		
	627-34-1TD-02		
	627-49-1MD-01		

151-13
151-33
151-D1
151-G1
151-GA

ISTRUZIONI PER LA CONSULTAZIONE DEL CATALOGO PER TESTE O PER APPARECCHIATURE

- Tutti i particolari delle teste sono rappresentati in più tavole come indicato nell'indice.
- I particolari sono esplosi nelle stesse posizioni in cui si trovano nelle teste.
- Le linee tratteggiate indicano i collegamenti tra i pezzi che per ragioni di disegno o di spazio non possono essere illustrati nello stesso asse.
- I simboli racchiusi da un riquadro (es. xxxxxx-x-xx) si riferiscono sempre a gruppi o sottogruppi.
- Nella rappresentazione grafica i componenti dei gruppi sono racchiusi da un riquadro; i componenti dei sottogruppi sono anch'essi riquadrati all'interno del gruppo.

TAVOLE CON PARTICOLARI COMUNI A TUTTE LE TESTE

- I simboli dei particolari o dei gruppi si leggono direttamente in corrispondenza dei pezzi.

TAVOLE CON PARTICOLARI NON COMUNI A TUTTE LE TESTE

- I simboli dei particolari o dei gruppi si leggono direttamente in corrispondenza dei pezzi.
- I particolari specifici per le singole teste sono indicati nel disegno con un numero progressivo evidenziato da un cerchio per i pezzi singoli o piccoli gruppi e da un quadrato per i gruppi principali. Per ricercare il simbolo del pezzo e del gruppo occorre consultare la relativa tabella riportata nella stessa tavola.

TAVOLE DOPPIE

- Per facilitare la consultazione alcune tavole sono state duplicate e sono indicate con lo stesso numero affiancato da una lettera (es. 3/A - 3/B).

ORGANI DI CUCITURA - GUIDE - ACCESSORI VARI

- Gli organi di cucitura - le guide - gli accessori vari sono preceduti da tavole riepilogative con l'indicazione dei particolari in dotazione e a richiesta.

AGHI

- Gli aghi sono contraddistinti dal sistema e dalla finezza. Il sistema dell'ago e la finezza sono marcati oltre che sulla busta, anche sull'ago stesso. Nelle ordinazioni precisare, oltre al simbolo, il sistema e la finezza degli aghi desiderati. In caso di dubbio allegare un ago campione o una busta vuota.

INSTRUCTIONS TO CONSULT THE CATALOGUE FOR HEADS OR FOR DEVICE

- All the spare parts are illustrated in several tables as indicated in the index.
- The parts are illustrated as they belong together in the machine
- The dashed illustration shows where the adjacent parts belong
- The symbols included in a square (e.g. xxxxxx-x-xx) are always referred to assemblies or sub-assemblies.
- In the graphical representation the components belonging to sub-assemblies are also included in a square within their assembly.

TABLES WITH PARTS COMMON TO ALL HEADS

- The symbols of the parts or of the assemblies can be read in direct reference to the parts.

TABLE WITH PARTS NOT COMMON TO ALL HEADS

- The symbols of the parts or of the assemblies can be read in direct reference to the parts.
- In the drawing the specific parts for the single heads are indicated by a progressive figure which is made evident by a circle for the single parts or small assemblies and by a square for the main assemblies. The symbol of the part or of the assembly can be located by consulting the relevant part-list included in the same table.

DOUBLE TABLES

- For easier reference, some tables have been duplicated. They are indicated by the same figure plus an additional letter, (e.g. 3/A and 3/B)

SEWING PARTS - FOLDERS - VARIOUS ACCESSORIES

- Sewing parts, folders and various accessories are preceded by summary tables indicating standard parts supplied and parts supplied on request.

NEEDLE

- The needles are marked with system and size. The system and size of the needle are shown on the packet as well as on the needle itself. When ordering please state symbol, system and size. If you have doubts, enclose a sample needle or an empty packet with your order.

INSTRUCTIONS POUR LA CONSULTATION DU CATALOGUE POUR TÊTES OU POUR DISPOSITIFS

- Toutes les pièces des têtes sont représentées en plusieurs tables comme nous avons indiqué dans l'index.
- Les pièces figurent sur l'illustration comme elles vont ensemble
- Les figures en tirets montrent le lieu de montage des pièces figurant à côté.
- Les symboles compris entre panneaux (ex. xxxxxx-x-xx) se réfèrent toujours à des groupes ou sous-groupes.
- Dans la représentation graphique les composants des sous-groupes sont eux-mêmes encadrés à l'intérieur du groupe.

TABLES AVEC COMPOSANTS COMMUNS A TOUTES LES TÊTES

- Les symboles des composants et des groupes se lisent directement en correspondance des pièces.

TABLES AVEC COMPOSANTS NON COMMUNS A TOUTES LES TÊTES

- Les symboles des composants et des groupes se lisent directement en correspondance des pièces.
- Les composants spécifiques de chaque tête sont indiqués sur les dessins avec un numéro progressif encerclé pour les simples composants ou petits groupes et numéro encadré pour les groupes principaux. Pour chercher le symbole de la pièce ou du groupe il faut consulter la relative fiche reportée sur la même table.

TABLE DOUBLE

- Pour faciliter la consultation certaines tables ont été doublées et sont indiquées avec le même numéro suivi par une lettre (ex. 3/A - 3/B)

ORGANES DE COUTURES - GUIDES - ACCESSOIRES DIVERS

- Les organes de coutures - les guides - les divers accessoires sont précédés de tables résumés avec l'indication des composants en dotation et sur demande.

AIGUILLES

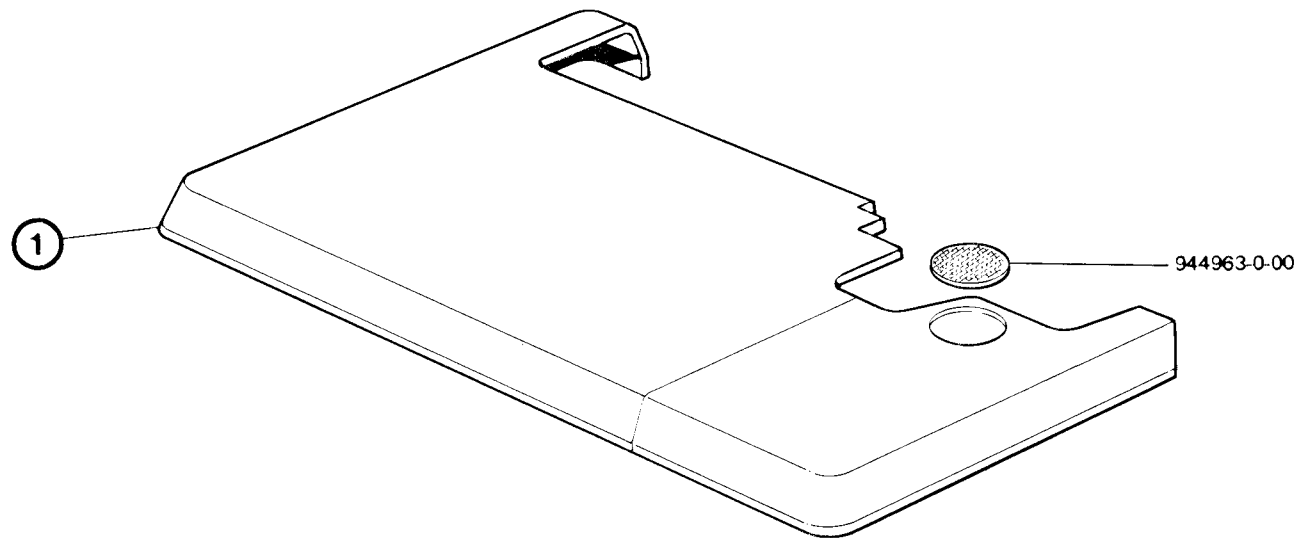
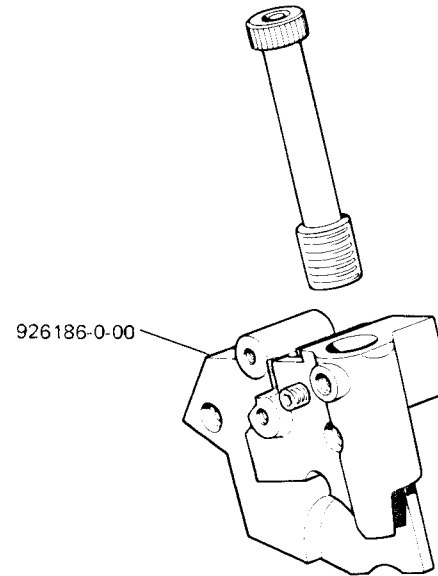
- Les aiguilles se différencient par le système et la grosseur. Le système de l'aiguille et sa grosseur, sont indiqués non seulement sur le sachet mais également sur l'aiguille. Dans l'ordre préciser, en plus du symbole, le système et la grosseur des aiguilles désirés. En cas de doute, joindre une aiguille comme modèle ou un sachet vide.

SIMB.	TAV.	SIMB.	TAV.	SIMB.	TAV.	SIMB.	TAV.	SIMB.	TAV.	SIMB.	TAV.	SIMB.	TAV.
100101-0-10	4	704708-0-00	3	740210-2-00	28	920659-0-00	3	925122-0-00	15-17	926266-0-01	2	926645-0-00	2
100421-0-10	4	706526-2-00	2	741431-2-00	2	921036-0-10	15-17	925196-0-00	10-11-12-13	926267-0-00	2	926646-0-00	1
200003-0-10	7	720103-2-00	14	741519-2-00	28	921076-0-10	4	925197-4-00	10-11-12-13	926273-0-01	2	926647-2-00	1
202225-0-11	25	720454-2-00	7	741552-0-00	2	921175-0-00	9	925198-4-00	10-11-12-13	926279-0-00	2	926648-4-00	2
202229-0-10	25	720464-2-00	6	741630-2-00	4	921176-0-00	9	925199-4-00	10-11-12-13	926284-0-00	3	926649-2-00	1
202556-0-01	25	720485-2-00	10-11-12-13	741634-2-00	16-18	922366-0-00	5	925370-0-10	7	926286-5-01	10	926683-0-00	1
202558-2-01	25	720491-2-00	7	741658-2-00	4	922370-2-00	5	925513-0-00	10-11-12-13	926290-5-00	6	926729-0-00	3-5
202681-0-10	25	720494-2-00	7	741665-2-00	16-18-20-22	922373-0-00	5	925557-0-00	10-11	926292-0-00	6	926731-4-00	3
202797-0-11	28	720504-2-00	5		24-25-26	922374-0-00	5	925562-0-00	12	926295-2-00	6	927222-0-00	16-18
203140-0-10	28	720525-2-00	10-11-12-13	741685-2-00	28	922846-4-00	10-11-12-13	925563-0-00	8	926301-0-00	10	927223-0-00	22
203141-0-11	28	720544-0-00	7	741994-2-00	2	923022-0-00	16	925564-4-00	8	926303-0-00	10	927226-0-00	16-24-26
203768-0-12	28	720555-2-00	8	743544-2-00	3	923175-0-00	28	925623-0-00	22	926304-0-00	10	927228-0-00	16-18-20-22
203772-0-11	28	721065-2-00	4	744553-0-00	28	923277-0-10	4	925625-0-00	16-20-24-26	926305-0-00	10		24-26
206345-4-00	25	721086-2-00	5	744631-2-00	25	923409-0-00	16-18-20-24	925631-0-00	20-24	926309-4-00	2	927229-0-00	18-20-24
206754-0-00	25	721454-2-00	19-21-23-27	744922-2-00	3		26	925634-0-00	16	926352-4-01	5	927230-0-00	20-24-26
207893-0-00	21	721484-2-00	3-7	745812-5-00	2	923538-0-00	20	925637-0-00	16	926384-0-00	3	927231-0-00	18-20-24
300218-0-10	25	722072-0-00	25	746002-2-00	4	923558-0-00	20-24	925659-0-00	26	926441-0-00	5	927380-0-00	20-24
300483-0-10	4	722073-2-00	15-17-21	746203-4-00	6-7	923623-0-00	24-26	925661-0-00	16-24-26	926504-0-00	26	927381-0-00	18-20-24
303764-0-10	2	722102-0-00	16-18-22	746204-2-00	5	923692-0-00	19	925662-0-00	13-24	926521-4-00	25	927382-0-00	20-22-24
307605-0-00	2	722103-2-00	15-17	746402-2-00	8	923694-0-00	19	925663-0-00	16-24	926527-4-00	25	927383-0-00	20-24
308503-0-01	25	722143-2-00	6-10	788801-0-00	14	923706-0-00	18-20	925750-0-00	8	926528-4-00	25	927385-0-00	16-18-20-22
700115-0-00	25	722410-2-00	3	788802-0-00	14	923804-0-00	10-11-12-13	925751-0-00	8	926529-0-00	26		24
700205-0-00	2-4-8	722411-2-00	25	788813-0-00	14	923828-4-00	2	925752-4-00	8	926530-4-00	25-26	927386-0-00	20-24-26
700207-0-00	6	722413-2-00	14-15-17	788817-0-00	14	924045-0-00	2	925754-0-00	8	926531-0-00	25	927387-0-00	16-20-22-24
700209-0-00	2	722421-2-00	2	900724-0-10	7	924233-0-00	10-11-12-13	925756-0-00	8	926532-0-00	25	927442-0-00	24
700212-0-00	7	722433-2-00	14	900728-3-10	7	924238-0-00	10-11-12-13	925758-4-00	8	926533-0-00	25	927443-0-00	24-26
701007-0-00	8	722460-5-00	2	900737-0-10	7	924239-4-00	10-11-12-13	925760-4-00	11	926534-0-00	25	927444-0-00	24
701023-0-00	2	722481-2-00	13	900941-0-00	4	924244-4-00	10-11-12-13	925761-0-01	8	926535-0-00	25	927445-0-00	24
701037-0-00	8	722511-2-00	12-13	901066-0-00	9	924245-4-00	10-11-12-13	925772-4-10	10-11-12-13	926536-0-00	25	927446-0-00	24-26
701132-0-00	8	722521-2-00	5	901067-0-00	9	924305-0-00	16	925779-0-00	13	926537-0-00	22-24-26	927447-0-00	24-26
701133-0-00	10-11-12-13	722561-2-00	25	901109-4-00	7	924545-0-10	7	925820-0-00	8	926538-0-00	26	927448-0-00	24
702408-2-00	3	722912-2-00	6	902272-0-00	10-11-12-13	924546-0-10	7	925952-0-00	26	926539-0-00	26	927449-0-00	24
703008-0-00	6	724420-2-00	27	902654-0-00	16	924547-0-10	7	925970-0-00	16-24	926541-0-00	26	927462-0-00	16
703203-0-00	5-25	724893-2-00	3	902660-0-00	19	924559-0-00	7	925971-0-00	24	926542-0-00	26	927463-0-00	20-24
703212-0-00	6	729012-2-00	4	902663-0-00	3-4-7-23	924795-0-10	4	925973-0-00	24	926545-4-01	25-26	927468-0-00	16-18-20-24
703503-2-00	18	731086-0-00	14	902664-0-00	3	924797-0-10	2	925974-0-00	26	926546-0-00	25		26
704004-0-00	3-25	731244-0-00	9	902665-0-00	19-20-24	924804-0-10	8	926111-0-00	4	926547-0-00	16-20-22	927469-0-00	20-24-26
704011-4-00	10-11-12-13	733006-2-00	10-11-12-13	902668-0-00	3-4-7-19-20	924806-0-10	8	926112-0-00	4	926548-0-00	16-22-24-26	927470-0-00	20-22-24
704014-0-00	8	733008-0-00	6		23-24	924807-4-10	8	926113-0-00	4	926549-0-00	15-17-21	927471-0-00	20-24
704104-2-00	28	733503-2-00	16-18-2-22	910096-2-00	9	924851-0-10	10-12-13	926114-0-00	4	926574-0-00	25	927473-0-00	20
704106-2-00	15-17		24-26	910097-2-00	9	924860-0-10	6	926186-0-00	1	926575-0-00	25	927474-0-00	20-24
704108-2-00	14	733505-2-00	5-6-7-15-17	910440-0-00	15-17	924863-0-10	6	926256-4-01	2	926633-0-00	26	927475-0-00	16-18-22
704218-2-00	3-8		21-25	920105-0-10	6	924864-4-10	6	926257-0-00	2	926634-0-00	26	927477-4-00	3
704226-2-00	7-14	733508-2-00	14	920113-0-10	6	924866-2-10	6	926258-0-01	2	926641-2-00	2	927885-0-00	16-18
704306-2-00	5-7	733510-2-00	8	920258-0-10	3-4-19-20	924868-0-10	6	926259-4-01	2	926642-0-00	2	928122-0-00	16-18-22
704316-2-00	7	734001-2-00	14	920278-0-10	15-17	924870-0-10	5-6-10-11	926264-0-00	2	926643-2-00	2	928154-0-00	3
704329-2-00	10-11-12-13	740035-0-00	6	920493-2-00	3		12-13	926265-0-00	2	926644-2-00	2	928161-0-00	20

INDEX

SIMB.	TAV.	SIMB.	TAV.	SIMB.	TAV.	SIMB.	TAV.	SIMB.	TAV.	SIMB.	TAV.	SIMB.	TAV.
928162-0-00	16	929872-0-01	19	931132-0-00	22	931218-0-00	17	932034-0-00	20				
928167-0-00	16-24	929873-0-01	23	931133-0-00	20-22	931219-0-00	18-20-24	932036-0-00	20				
928169-0-00	15-17	929874-0-03	16	931135-0-00	20	931220-0-00	20	940351-0-00	16				
928173-0-00	20	929875-0-03	24	931137-0-00	18-20	931221-0-00	20	940421-4-00	13				
928218-0-00	18-20-22-24	929878-0-00	15	931138-0-00	20	931222-0-00	17	941247-0-00	15-17				
928229-4-00	25	929879-0-00	18-20-22-24	931141-0-00	18-20-22	931224-0-00	22	941399-0-00	16-18				
928230-4-00	25	929880-0-00	20	931143-0-00	20	931225-0-00	18	941511-4-00	12-13				
928231-4-00	25	929884-0-00	26	931144-0-00	20	931230-0-00	18	941524-4-00	13				
928232-4-00	25	929885-0-00	18-26	931145-0-00	20	931231-0-00	22	942787-0-00	3				
928429-0-00	15-17	929886-0-00	20	931148-0-00	20	931233-0-02	18	942981-4-00	13				
928818-4-00	5	929888-0-00	4	931149-0-00	20-22	931234-0-03	22	943202-0-00	10-11-12-13				
929218-0-00	28	929889-4-10	4	931150-0-00	22	931236-0-00	22	943441-0-00	6				
929239-0-00	5	929890-0-00	20	931152-0-00	18-20	931237-4-02	17-18	943799-0-00	20-24				
929242-0-00	5	929891-0-00	20-24	931153-0-00	18-20	931238-4-02	22	943904-0-00	25				
929299-4-00	12	929892-0-00	20	931157-0-00	22	931238-4-03	21	944874-0-00	16				
929299-4-10	13	929893-0-00	16-18-20-24	931159-0-00	26	931242-4-00	18	944963-0-00	1				
929322-0-00	3		26	931161-0-00	22	931246-0-00	21	946075-0-00	3				
929324-4-00	3	929894-0-00	16-18-26	931165-0-00	20	931247-2-01	21	990311-0-10	8				
929476-0-00	28	929923-0-00	15	931167-0-00	20	931249-0-00	17	990441-0-10	4				
929479-3-00	28	929924-4-00	24	931177-0-00	20	931252-4-00	12	990442-0-10	4				
929481-3-00	28	929925-0-00	20	931190-0-00	18	931253-4-00	13						
929482-4-00	7	929926-0-00	20	931191-0-00	18-22	931495-0-00	20						
929483-4-00	7	929927-0-00	20	931192-0-00	22	931498-0-00	20						
929575-0-00	18-22	929930-4-03	15-16	931193-0-00	18-22	931504-0-00	22						
929576-0-00	24	929931-4-04	23-24	931194-0-00	18	931538-0-00	20						
929577-0-00	26	929933-4-00	19	931195-0-00	22	931539-0-00	18						
929821-0-00	16-22	929934-4-00	23	931196-0-00	22	931551-0-00	3						
929822-0-00	15-18	930611-0-00	25	931197-0-00	22	931552-0-00	20-24						
929823-0-00	15-17-18	931000-4-03	14-15	931198-0-00	18	931555-4-00	20						
929850-0-01	15-17-19-21	931001-4-03	14-17	931199-0-00	18	931563-0-00	24						
	19-23-27	931005-4-04	14-23	931201-0-00	22	931564-0-00	24						
929851-0-00	14	931011-4-03	14	931202-0-00	22	931580-4-00	27						
929852-0-00	14	931011-4-04	14-21	931203-0-00	22	931591-0-00	27						
929853-0-00	14-15-17	931018-4-01	14-19	931204-0-00	22	931592-0-00	27						
929854-0-00	15-17	931050-4-01	14	931205-0-00	22	931593-0-00	27						
929856-0-00	14	931052-4-00	14	931206-0-00	22	931736-0-00	27						
929857-0-00	14-27	931063-4-01	14	931207-0-00	22	931737-0-00	27						
929858-0-00	14-27	931066-4-00	14	931208-0-00	22	931738-0-00	27						
929859-0-00	27	931116-0-00	22	931209-0-00	22	931896-0-00	19						
929861-0-00	15-17-19-21	931118-0-00	18	931210-0-00	22	931938-0-01	20						
	23	931121-0-00	18-22	931211-0-00	22	931939-4-01	19-20						
929862-0-00	23	931122-0-00	20	931212-0-00	22	931950-0-00	22						
929864-0-01	15-17	931126-0-00	26	931213-0-00	22	931951-0-00	22						
929866-0-00	14	931127-0-00	18-20	931214-0-00	22	931968-0-00	20						
929867-0-00	14	931128-0-00	18	931215-0-00	17	932021-0-00	16						
929870-0-01	15-17	931129-0-00	18-20-22	931216-0-00	22	932022-0-00	20-24						
929871-0-02	15	931130-0-00	18-20-22	931217-0-00	18	932024-0-00	22						

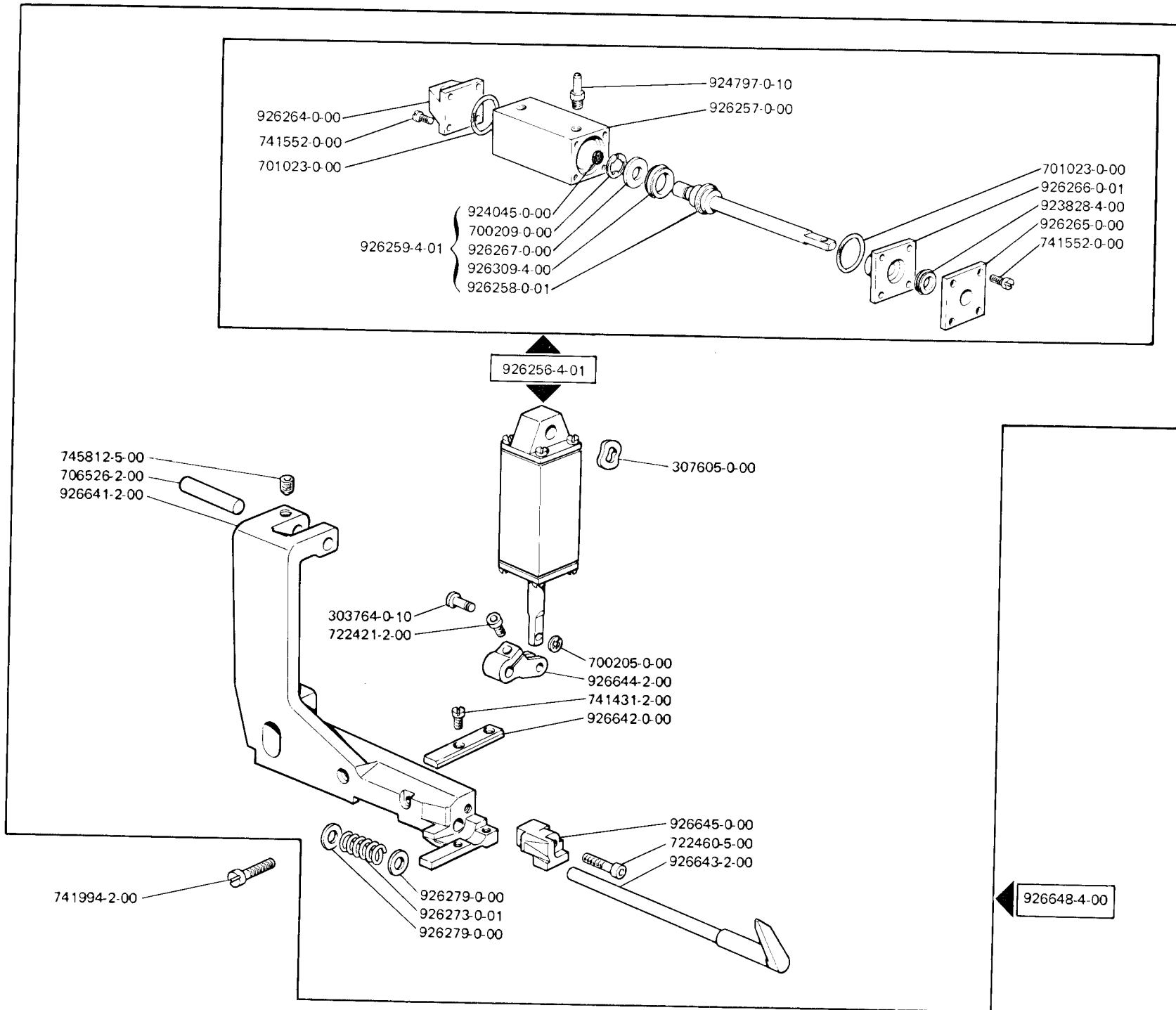
APPARECCHIATURE DEVICES DISPOSITIFS	①	
	PER TESTE FOR HEADS POUR TETES 627	PER TESTE FOR HEADS POUR TETES 629
151-13 151-33	926646-0-00	926683-0-00
151-D1 151-G1 151-GA	926649-2-00	926647-2-00

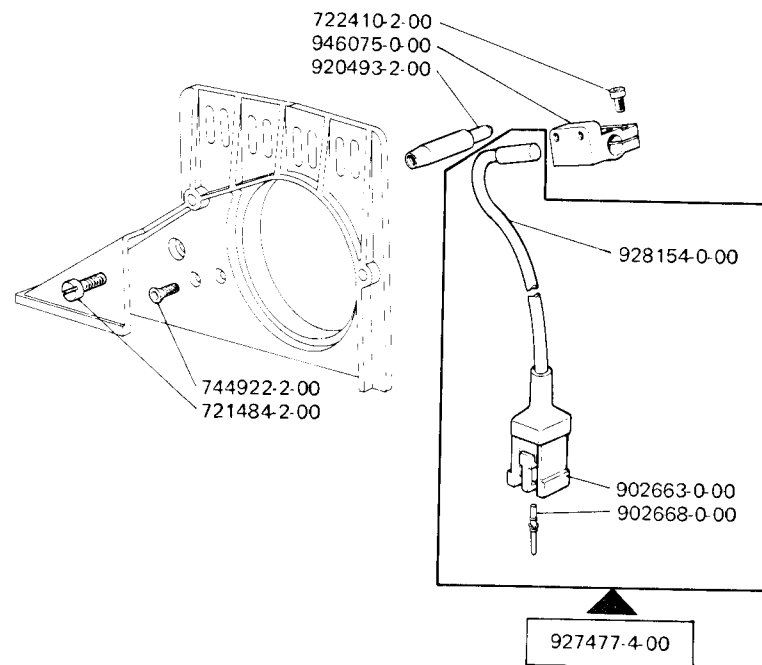
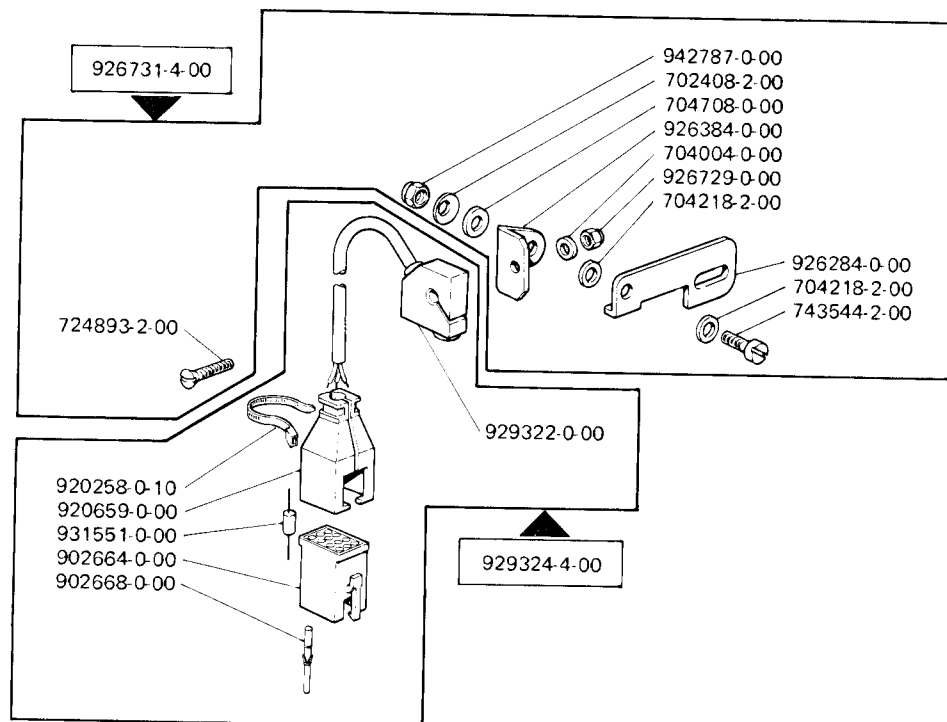


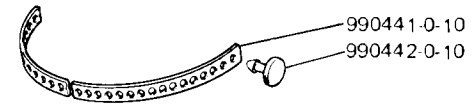
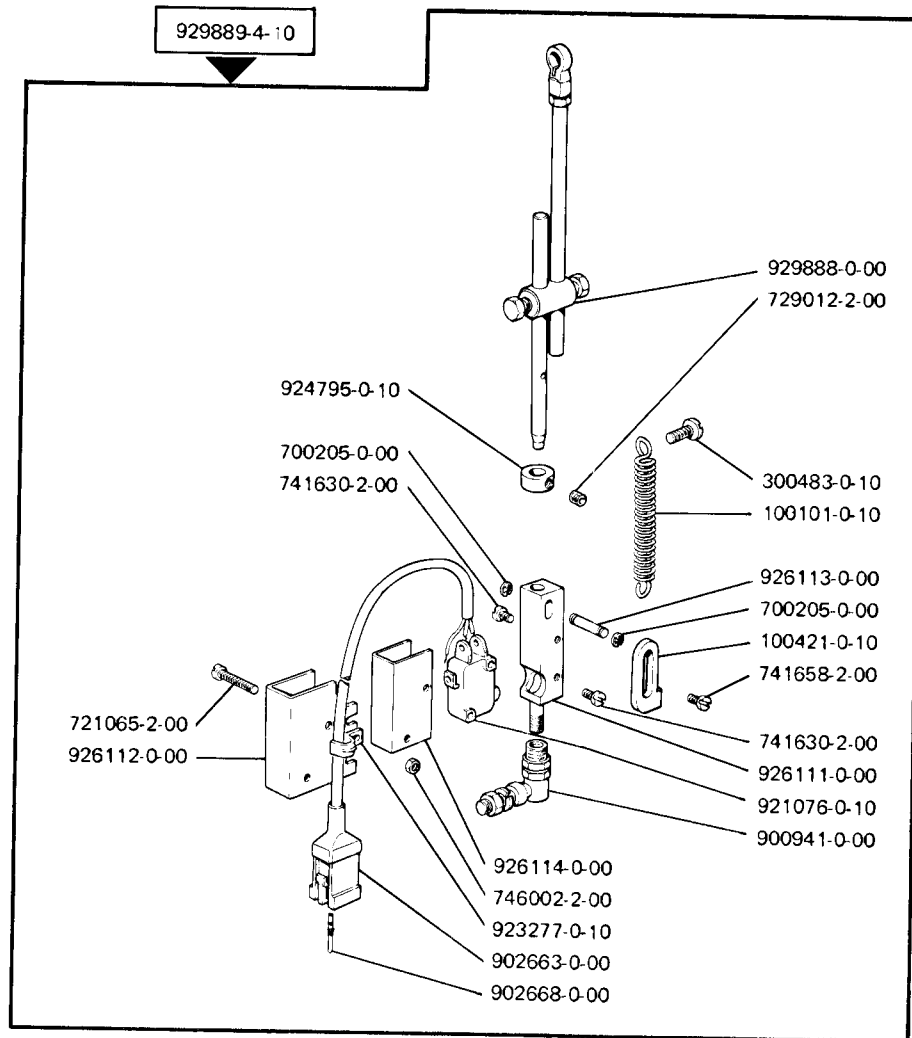
SOLO PER
ONLY FOR
SEULEMENT POUR

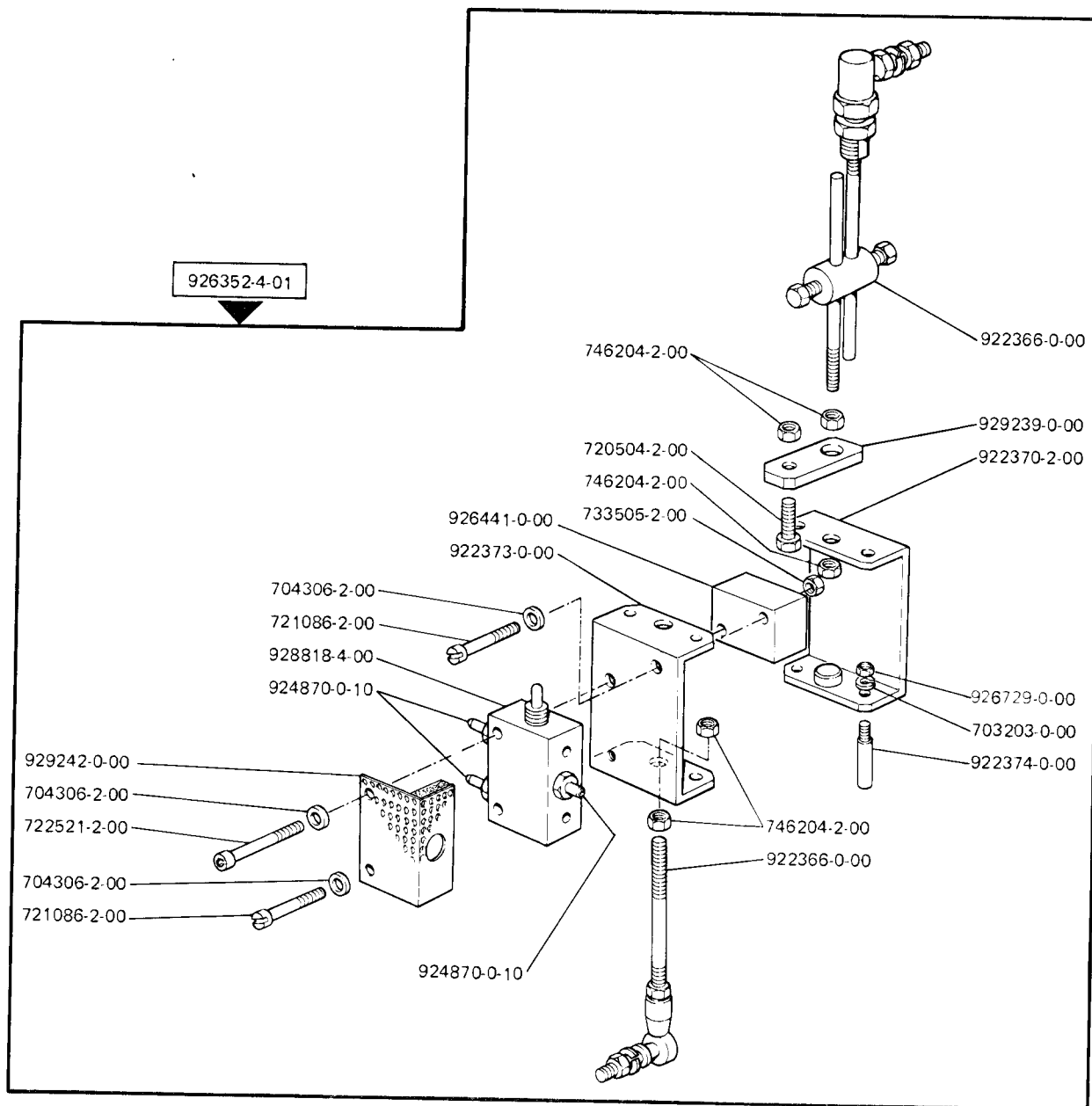
151-D1
151-G1
151-GA

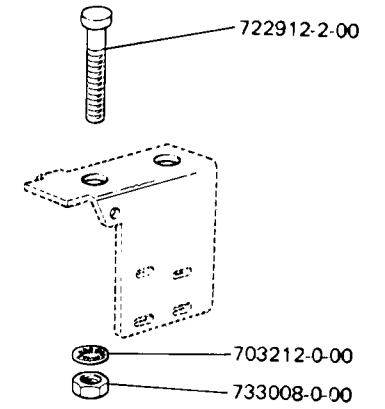
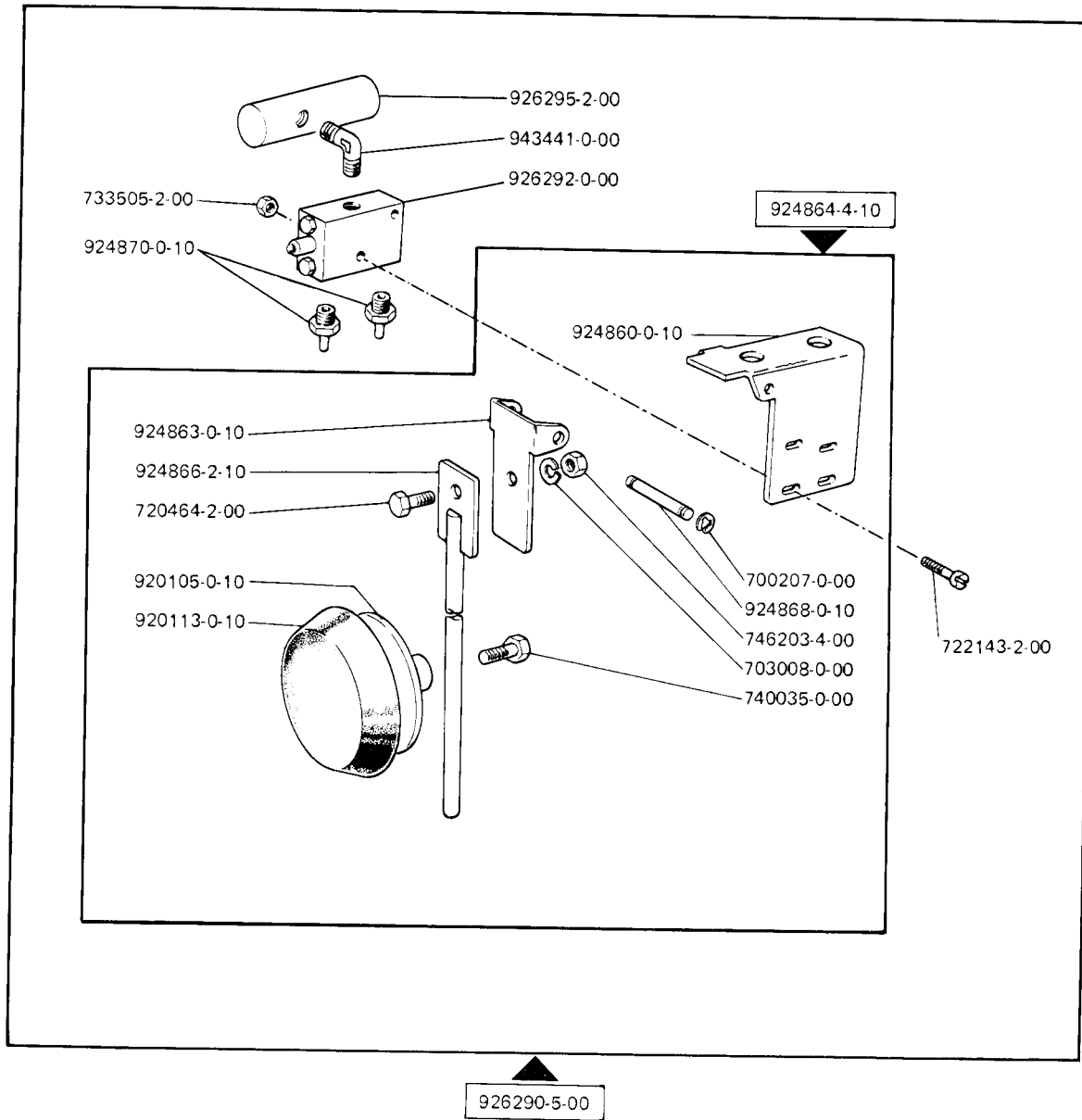
151-13
151-33
151-D1
151-G1
151-GA

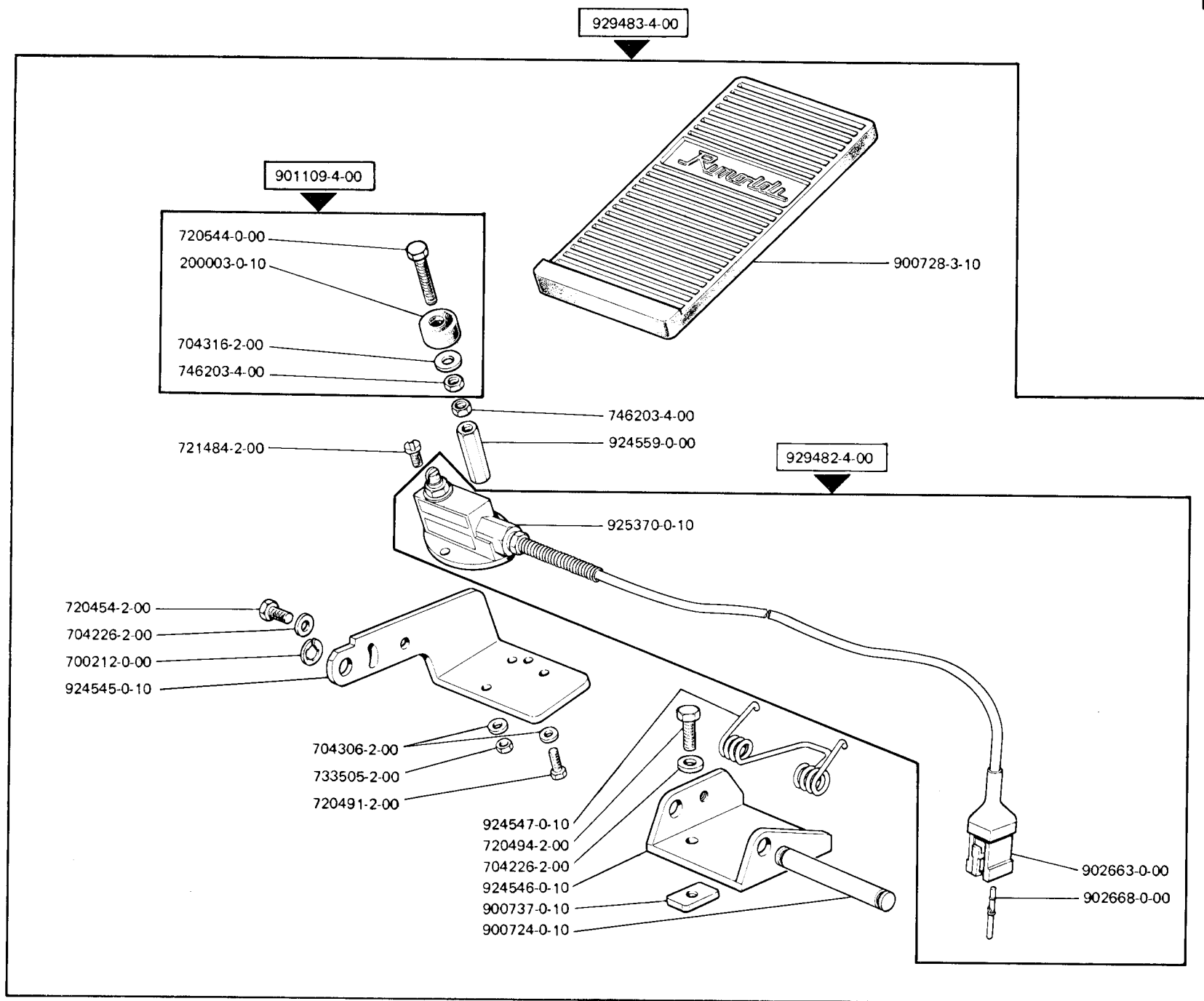


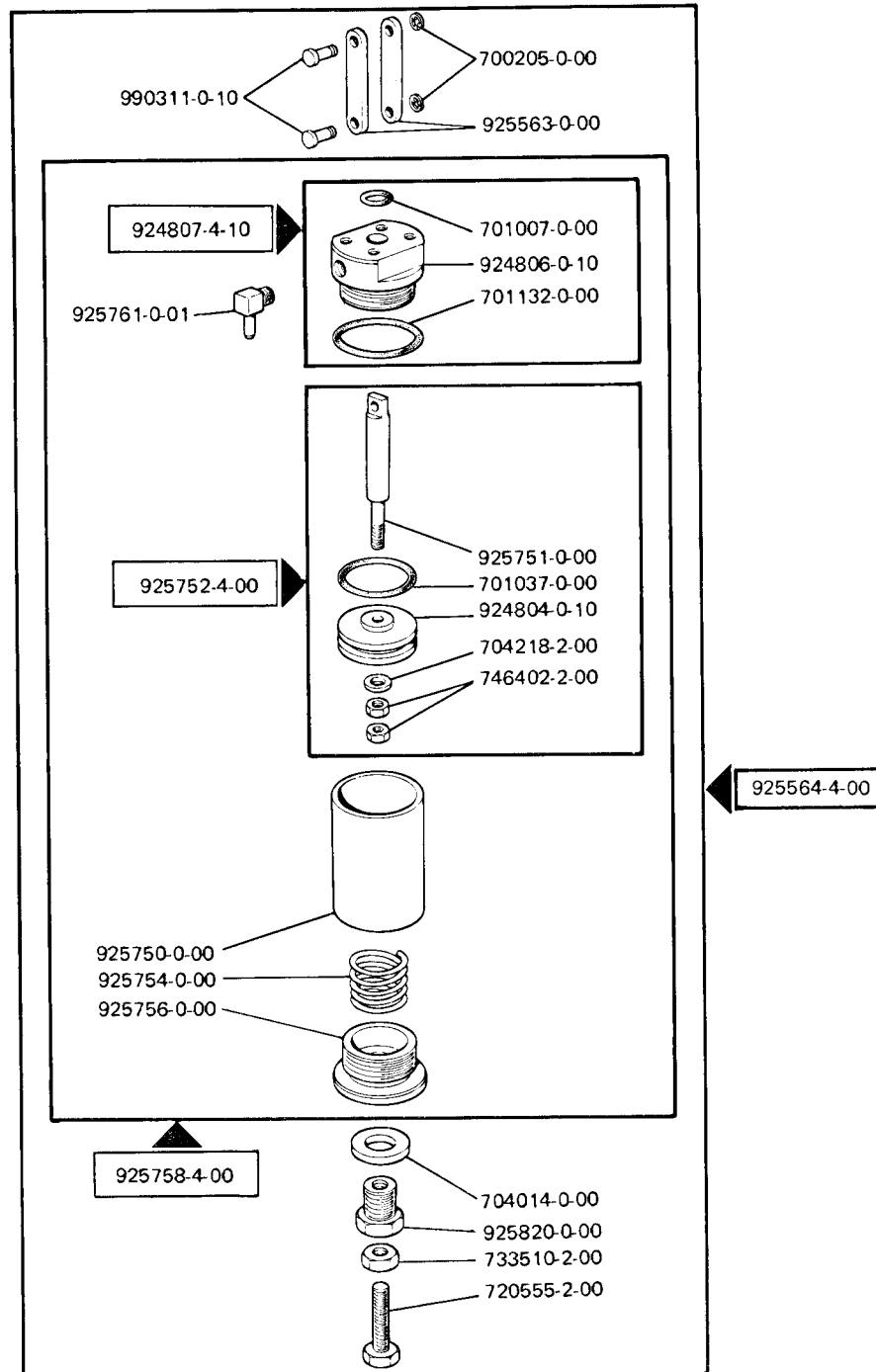






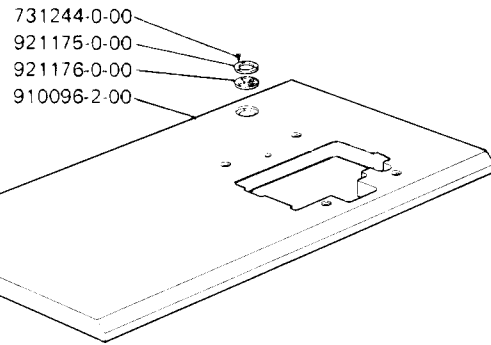




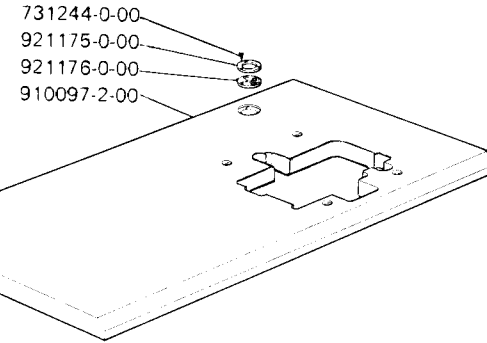


BANCALE REGOLABILE - ADJUSTABLE STAND - BATTI REGOLABILE

151-D1
151-G1

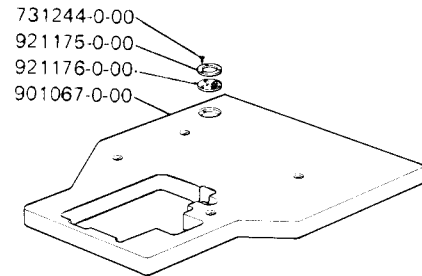


151-GA

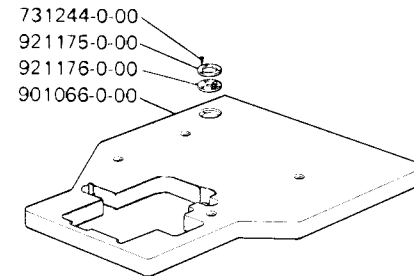


BANCALE A COLONNA - COLUMN STAND - BATTI COLONNE

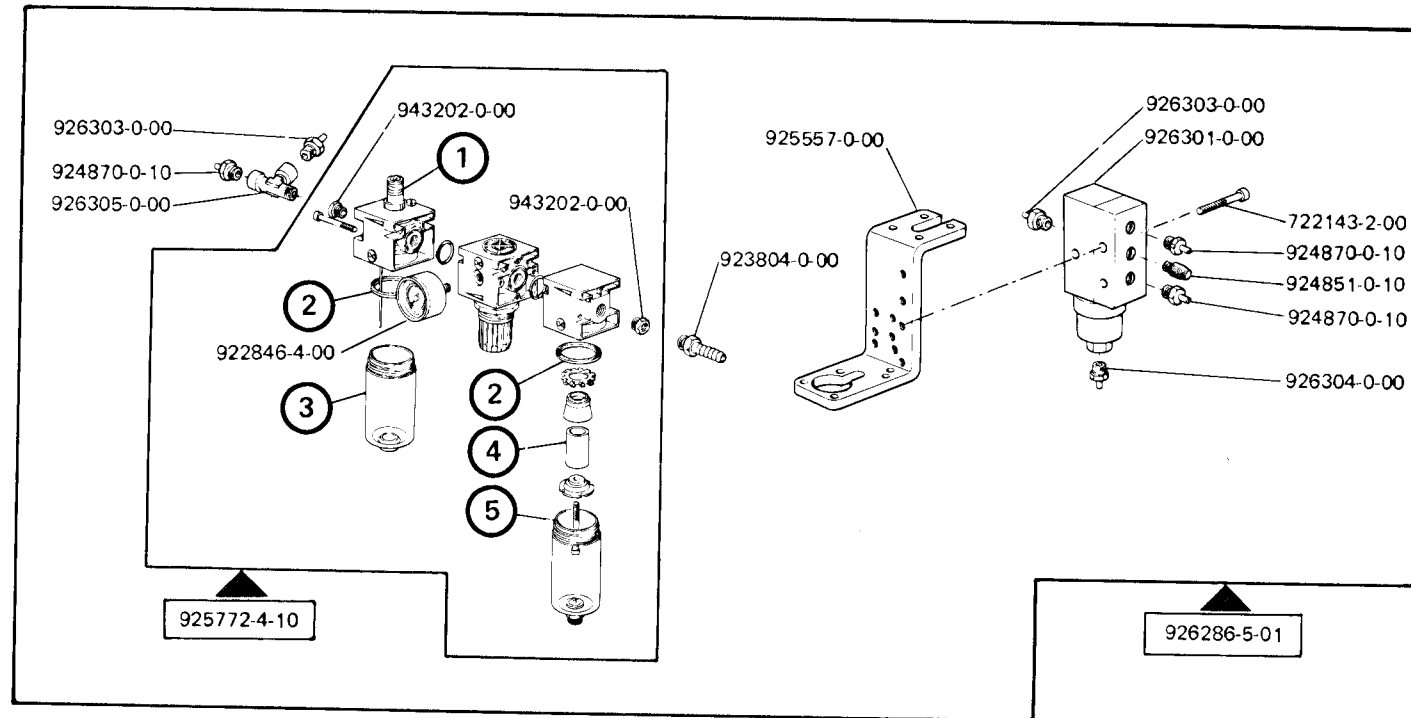
151-D1
151-G1



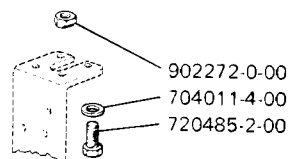
151-GA



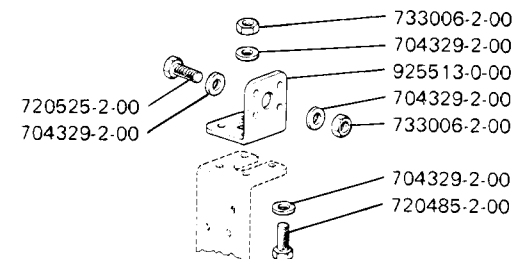
	①	②	③	④	⑤
METALWORK COLORE ARANCIO ORANGE COLOUR COLEUR ORANGE	924245-4-00	924233-0-00	924244-4-00	924238-0-00	924239-4-00
STAMPOTECNICA COLORE NERO BLACK COLOUR COLEUR NOIRE	925199-4-00	701133-0-00	925198-4-00	925196-0-00	925197-4-00



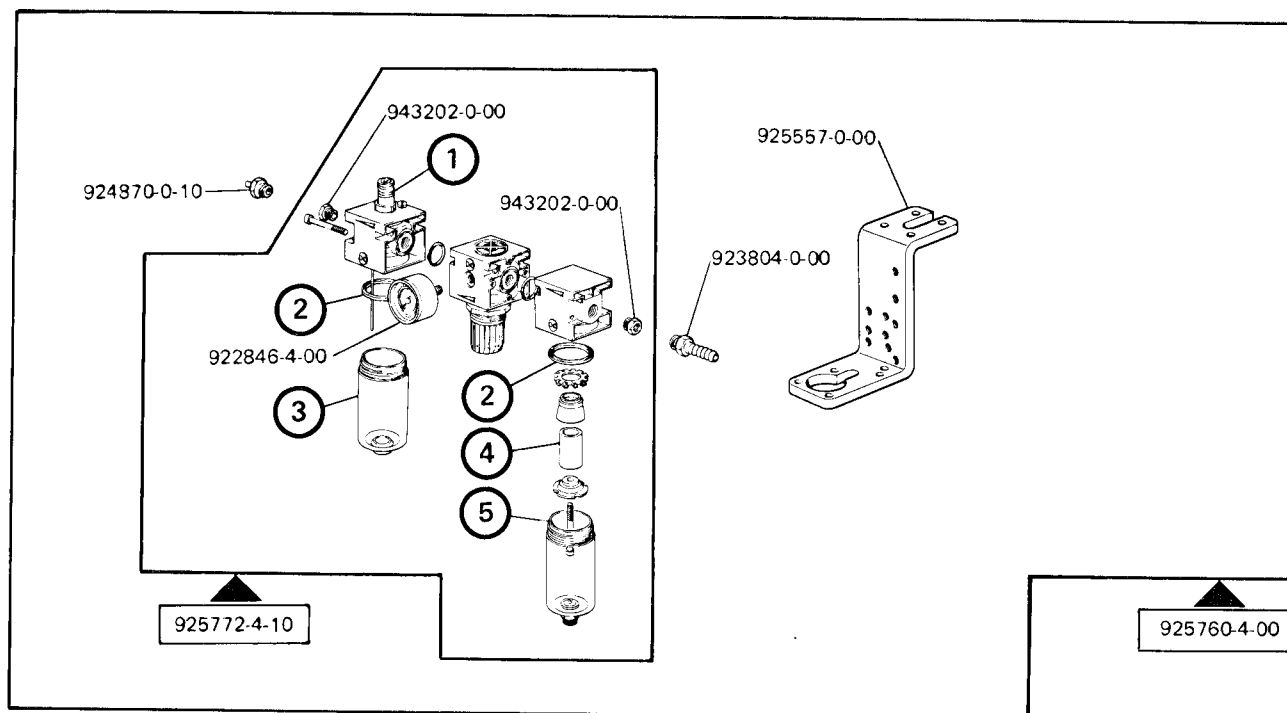
PER BANCALE REGOLABILE
FOR ADJUSTABLE STAND
POUR BATI REGLABLE



PER BANCALE A COLONNA
FOR COLUMN STAND
POUR BATI A COLONNE

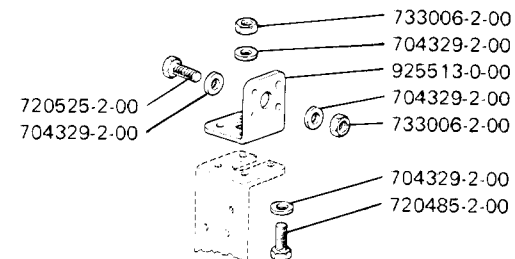
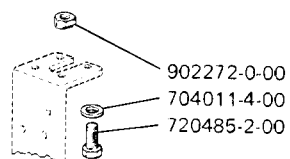


	①	②	③	④	⑤
METALWORK COLORE ARANCIO ORANGE COLOUR COLEUR ORANGE	924245-4-00	924233-0-00	924244-4-00	924238-0-00	924239-4-00
STAMPOTECNICA COLORE NERO BLACK COLOUR COLEUR NOIRE	925199-4-00	701133-0-00	925198-4-00	925196-0-00	925197-4-00

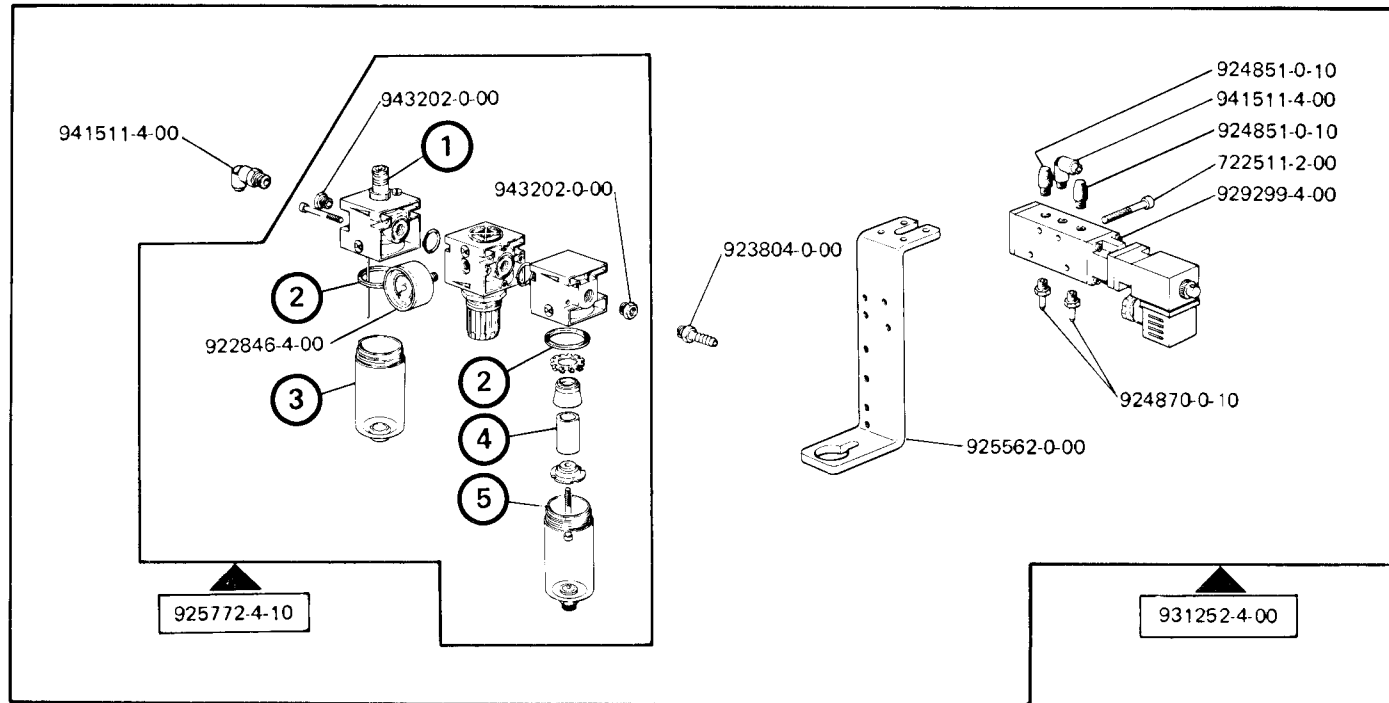


PER BANCALE A COLONNA
FOR COLUMN STAND
POUR BATI A COLONNE

PER BANCALE REGOLABILE
FOR ADJUSTABLE STAND
POUR BATI REGLABLE

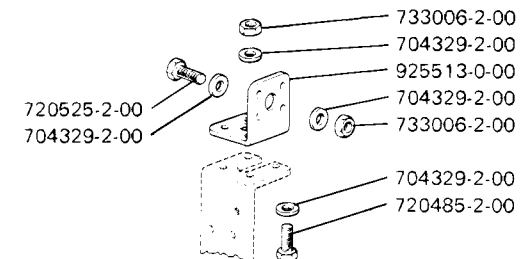
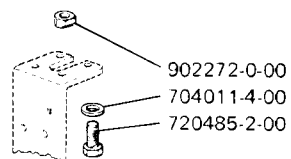


	①	②	③	④	⑤
METALWORK COLORE ARANCIO ORANGE COLOUR COLEUR ORANGE	924245-4-00	924233-0-00	924244-4-00	924238-0-00	924239-4-00
STAMPOTECNICA COLORE NERO BLACK COLOUR COLEUR NOIRE	925199-4-00	701133-0-00	925198-4-00	925196-0-00	925197-4-00

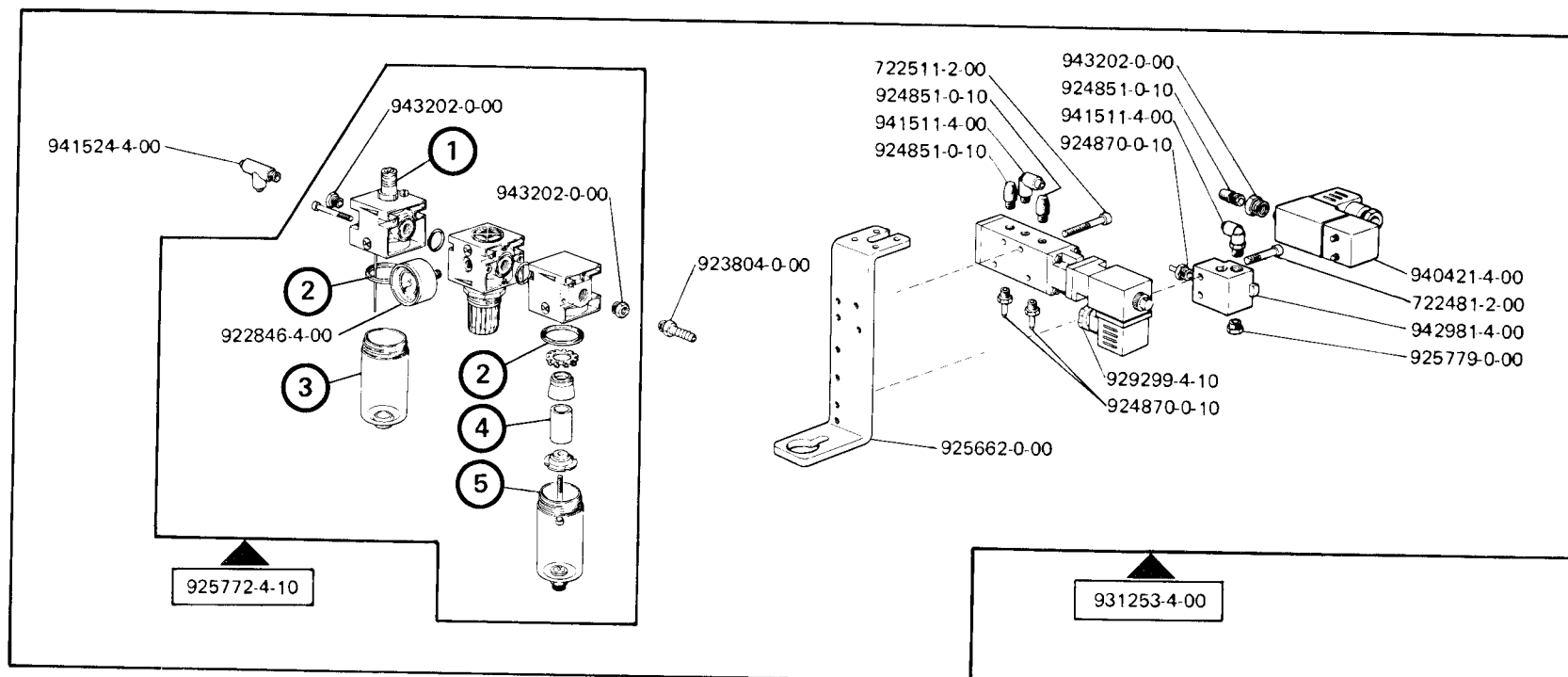


PER BANCALE A COLONNA
FOR COLUMN STAND
POUR BATI A COLONNE

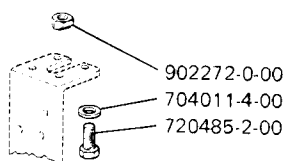
PER BANCALE REGOLABILE
FOR ADJUSTABLE STAND
POUR BATI REGLABLE



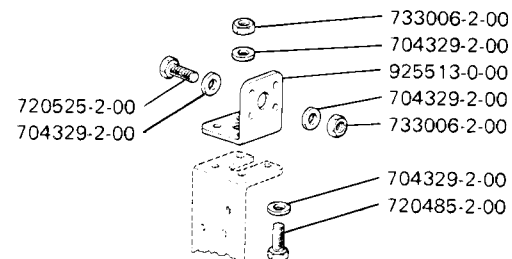
	①	②	③	④	⑤
METALWORK COLORE ARANCIO ORANGE COLOUR COLEUR ORANGE	924245-4-00	924233-0-00	924244-4-00	924238-0-00	924239-4-00
STAMPOTECNICA COLORE NERO BLACK COLOUR COLEUR NOIRE	925199-4-00	701133-0-00	925198-4-00	925196-0-00	925197-4-00



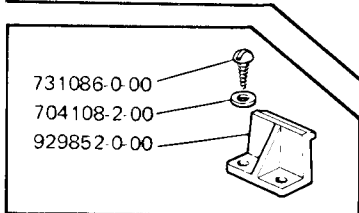
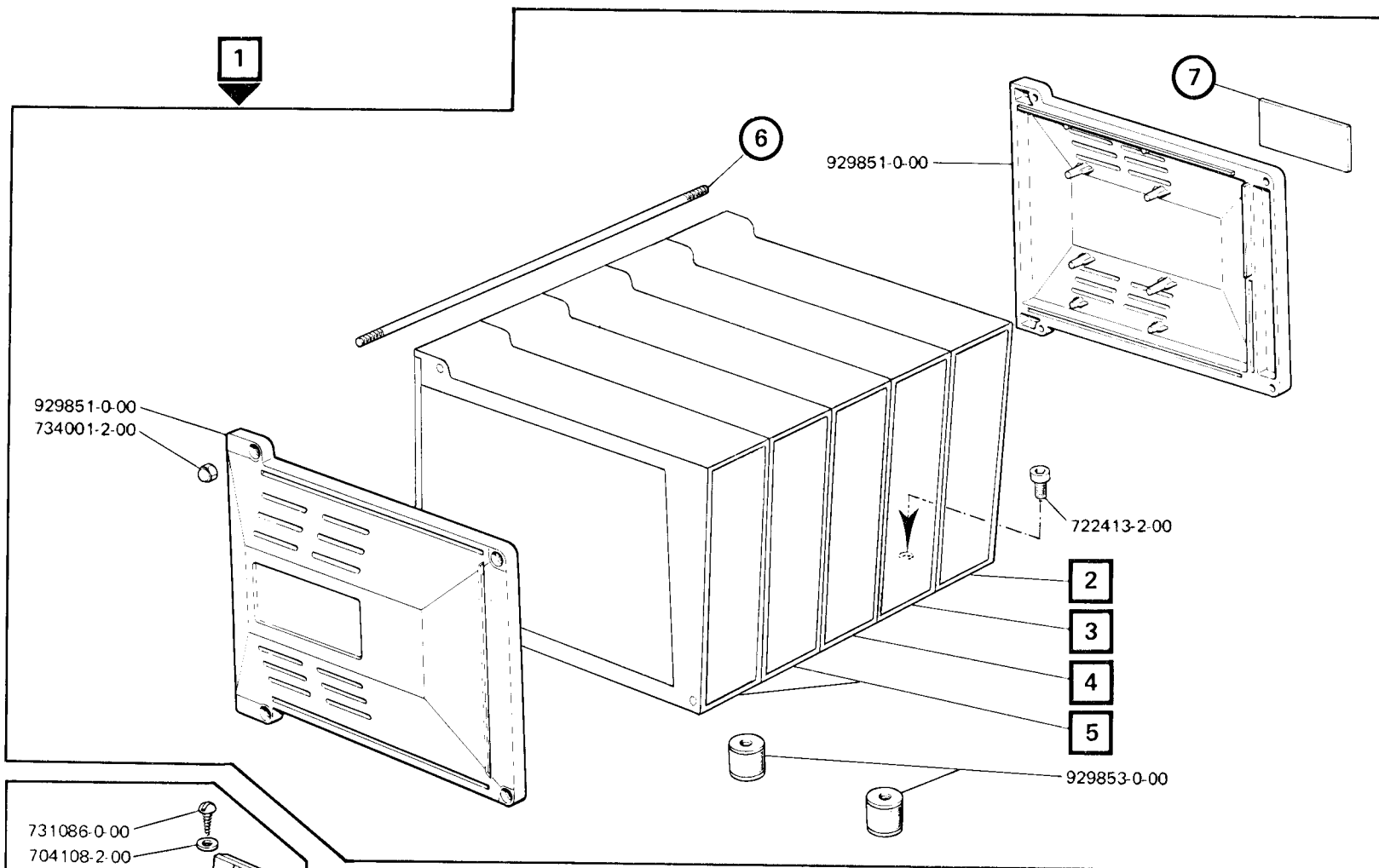
PER BANCALE REGOLABILE
FOR ADJUSTABLE STAND
POUR BATI REGLABLE



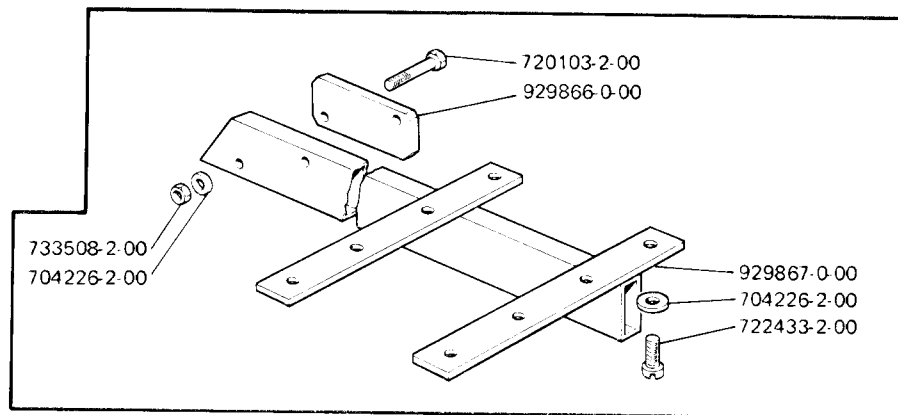
PER BANCALE A COLONNA
FOR COLUMN STAND
POUR BATI A COLONNE



APPARECCHIATURE DEVICES DISPOSITIFS	TESTE-HEADS-TETES	1	2	3	4	5	6	7
151-G1/151-GA	PER TUTTE ESCLUSE FOR ALL EXCLUDED POUR TOUTES EXCLUS 627-34-1KD-02 627-34-1KD-12	931050-4-01	—	931005-4-04	931018-4-01	931000-4-03	929857-0-00	788802-0-00
151-G1/151-GA	SOLO PER ONLY FOR SEULEMENT POUR 627-34-1KD-02 627-34-1KD-12	931063-4-01	931005-4-04	931018-4-01	931011-4-04	931001-4-03	929858-0-00	788813-0-00
151-D1	PER TUTTE ESCLUSE FOR ALL EXCLUDED POUR TOUTES EXCLUS 627-34-1KD-02 627-34-1KD-12	931052-4-00	—	—	931005-4-04	931000-4-03	929856-0-00	788801-0-00
151-D1	SOLO PER ONLY FOR SEULEMENT POUR 627-34-1KD-02 627-34-1KD-12	931066-4-00	—	931005-4-04	931011-4-03	931001-4-03	929857-0-00	788817-0-00



PER BANCALE A COLONNA
FOR COLUMN STAND
POUR BATI A COLONNE

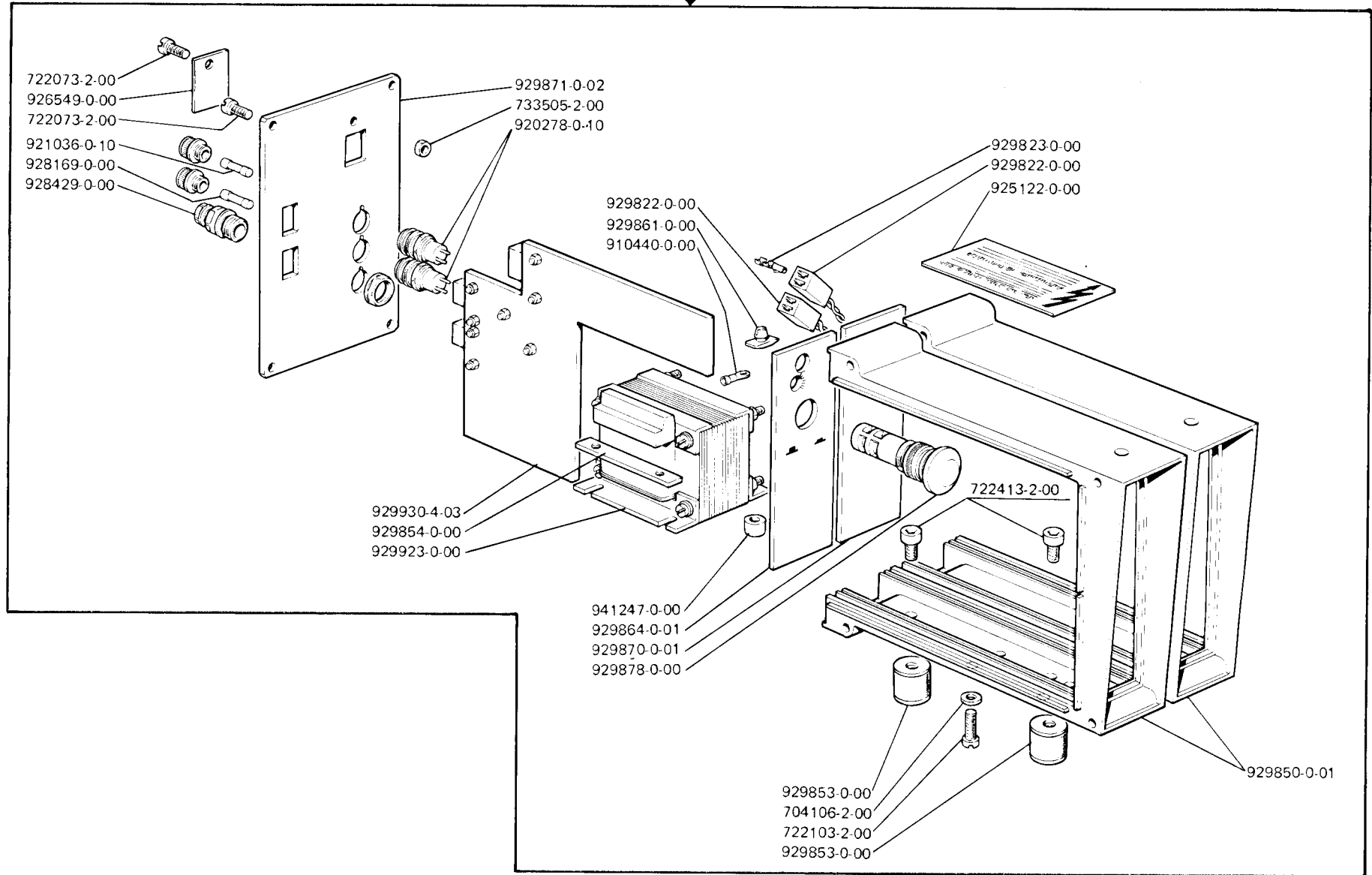


PER BANCALE REGOLABILE
FOR ADJUSTABLE STAND
POUR BATI REGLABLE

151-D1
151-G1
151-GA

PER TUTTE LE TESTE ESCLUSE
FOR ALL HEADS EXCLUDED
POUR TOUTES LES TETES EXCLUES
627-34-1KD-02
627-34-1KD-12

931000-4-03 (M001-2)

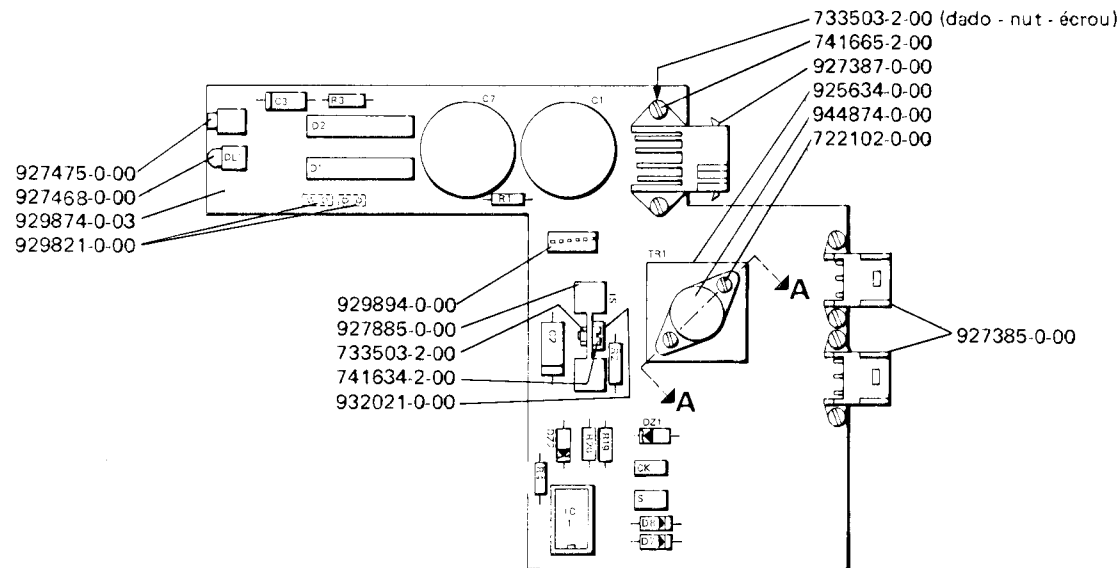


PER TUTTE LE TESTE ESCLUSE
 FOR ALL HEADS EXCLUDED
 POUR TOUTES LES TETES EXCLUES
 627-34-1KD-02
 627-34-1KD-12

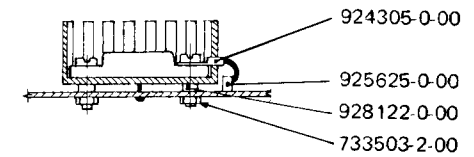
151-D1
 151-G1
 151-GA

Part./Pezce N.	SIMBOLO - SYMBOL	Zoccolo/Base N.
927226-0-00	R1	
902654-0-00	R2	
925663-0-00	R3	
925661-0-00	R4	
925970-0-00	R20	
940351-0-00	C1	
928162-0-00	C2	
925637-0-00	C3	
941399-0-00	D1-D2	
923409-0-00	D7-D8	
927222-0-00	DL1	
926548-0-00	S	
929893-0-00	IC1	927228-0-00
926547-0-00	CK	
928167-0-00	R19	
923022-0-00	DZ1	
927462-0-00	DZ2	

929930-4-03 (M001.2)

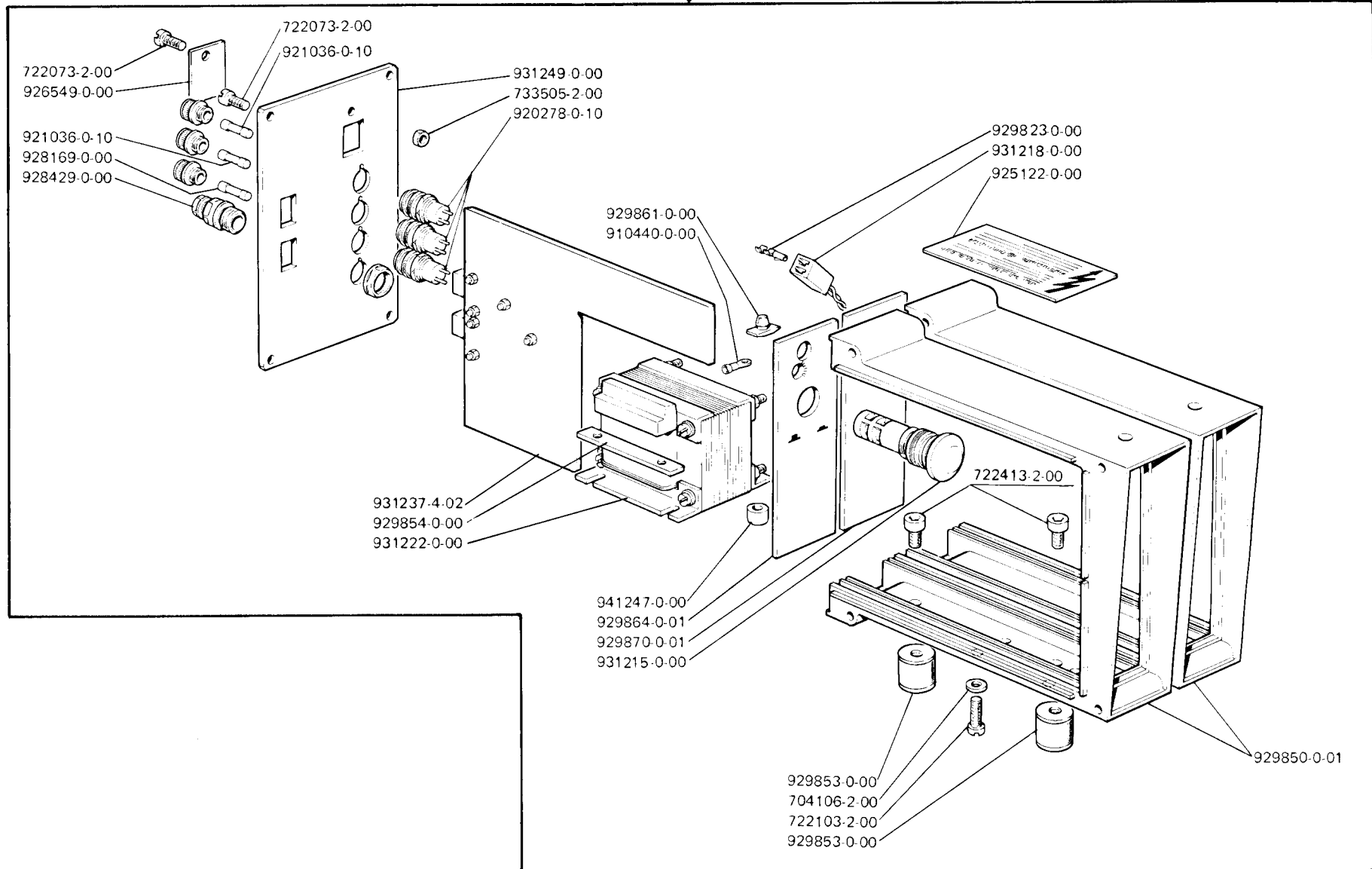


Sez. A-A



SOLO PER TESTE
ONLY FOR HEADS
SEULEMENT POUR TETES
627-34-1KD-02
627-34-1KD-12

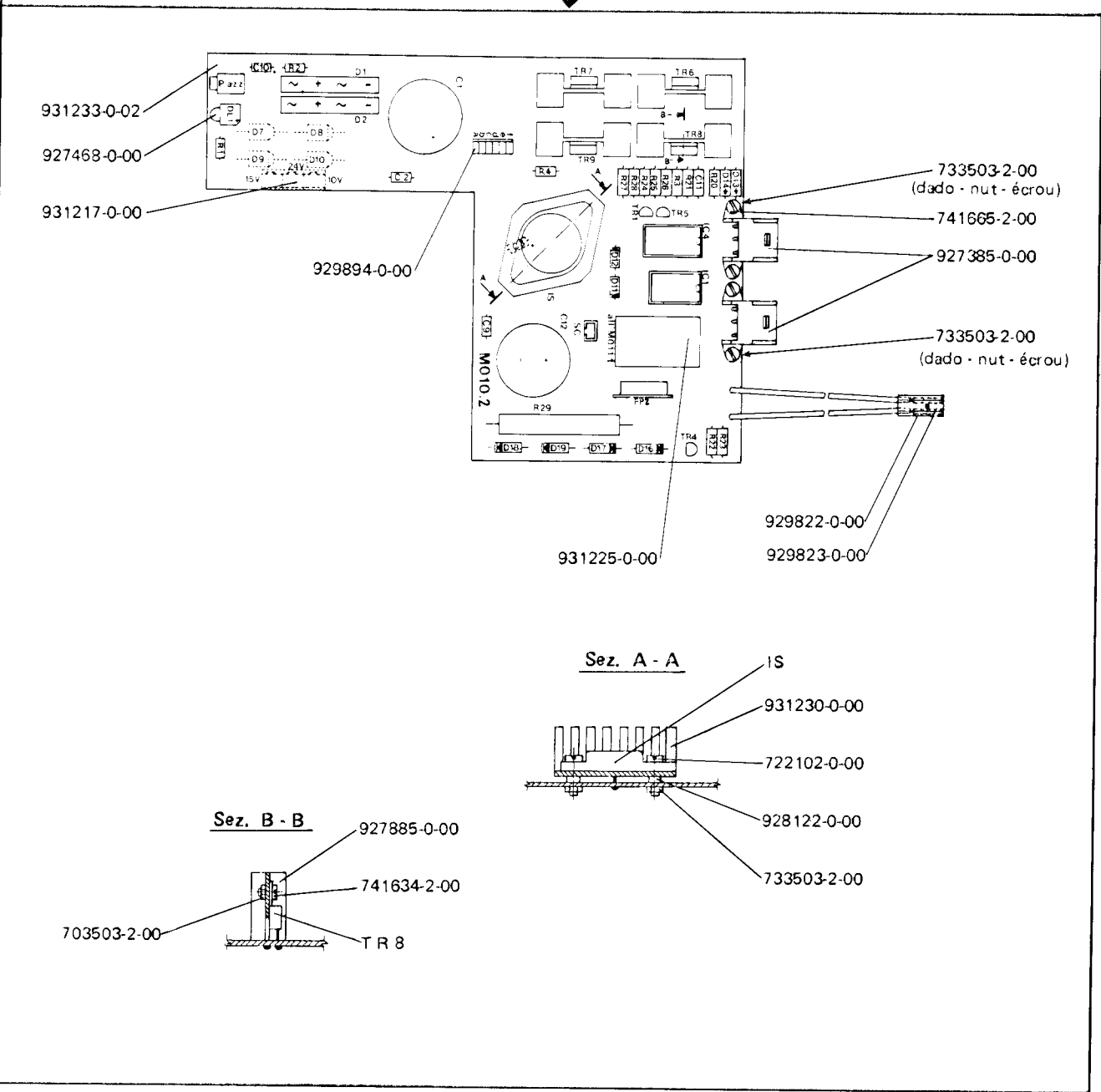
931001.4-03 (M010-2)

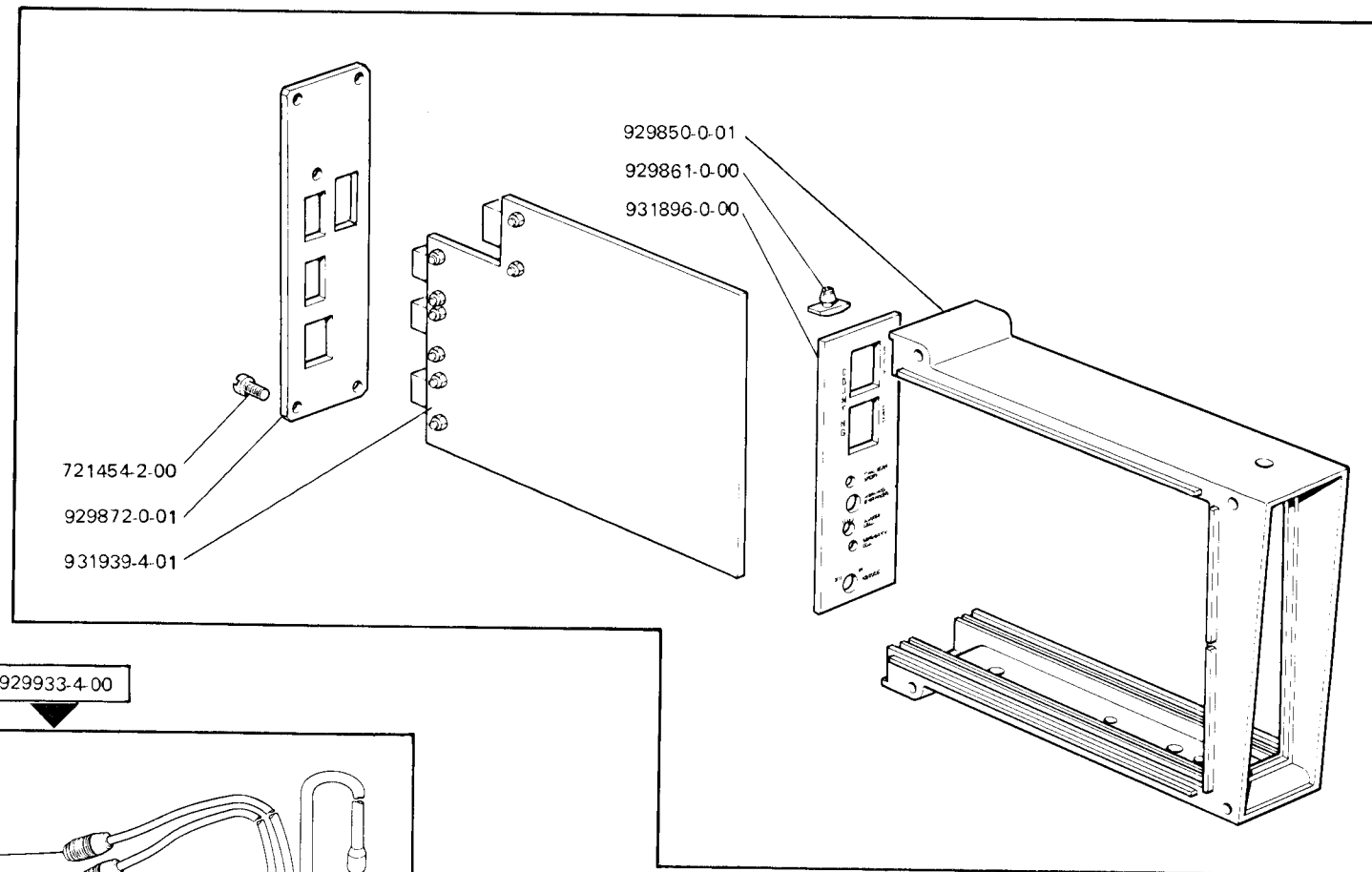


SOLO PER TESTE
ONLY FOR HEADS
SEULEMENT POUR TETES
627-34-1KD-02
627-34-1KD-12

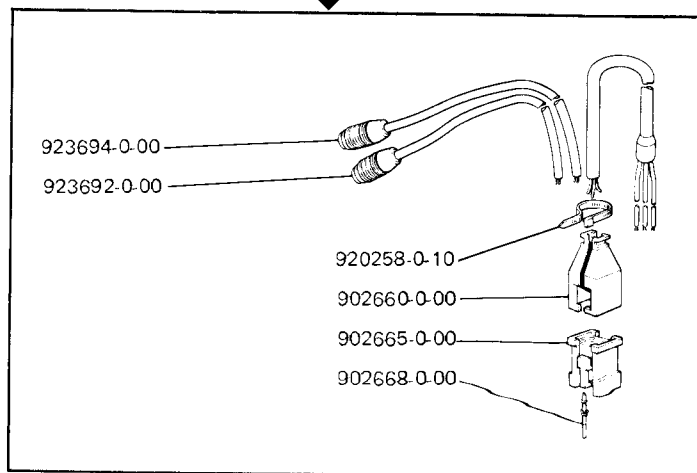
931237 4 02 (M010-2)

Part./Pièce N.	SIMBOLO - SYMBOL	Zoccola/Base N.
931121-0-00	R1-R2	
931153-0-00	R21	
931129-0-00	R26	
931141-0-00	R3-R20	
931130-0-00	R27-R28	
931127-0-00	R24	
931128-0-00	R23	
931190-0-00	R29	
931539-0-00	C1	
929879-0-00	C2-C9	
931191-0-00	C3-C10	
931193-0-00	C12	
927381-0-00	C11	
929575-0-00	TR5	
929885-0-00	TR1	
931198-0-00	TR6-TR8	
927231-0-00	TR7-TR9	
941399-0-00	D1-D2	
931194-0-00	D7-D8-D9-D10	
923409-0-00	D11-D12-D13-D14	
923706-0-00	D16-D17-D18-D19	
929893-0-00	IC1	927228-0-00
927229-0-00	IC4	928218-0-00
931199-0-00	IS	
927222-0-00	DL1	
931219-0-00	SC	
927475-0-00	P. azz.	
929575-0-00	TR4	
931242-4-00	FP2	
931137-0-00	R22	
931118-0-00	R25	
931152-0-00	R4	



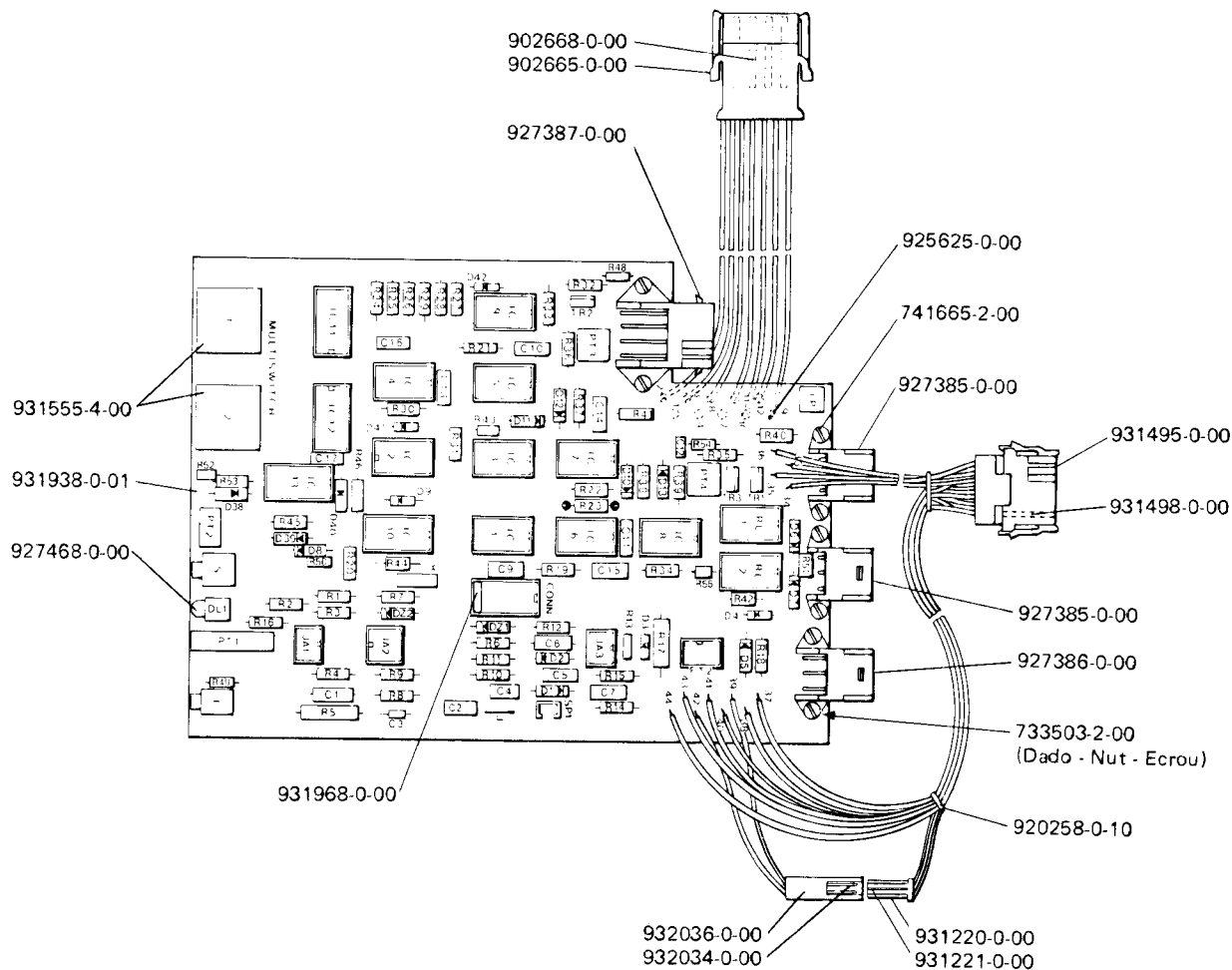


929933-4-00



Part./Piece N.	SIMBOLO – SYMBOL	Zoccolo/Base N.
931143-0-00	R1	
931145-0-00	R2-R8	
931149-0-00	R3-R48-R52	
931141-0-00	R4-R18-R20-R24-R25-R26-R27 R28-R29-R32-R34-R40-R42-R44 R45-R46-R50-R51	
943799-0-00	R5	
931133-0-00	R6-R41	
931122-0-00	R7	
931167-0-00	R9-R23	
931177-0-00	R10	
931135-0-00	R11	
931148-0-00	R12	
931144-0-00	R13	
931130-0-00	R14	
931165-0-00	R15-R37	
931127-0-00	R16	
929926-0-00	R17	
931153-0-00	R19-R21-R30	
931129-0-00	R22-R36-R38-R54	
931138-0-00	R31-R33-R35	
931152-0-00	R39	
931137-0-00	R43-R49-R53-R55	
931552-0-00	PT1	
929927-0-00	PT2	
929880-0-00	PT3-PT4	
927383-0-00	C1-C6-C11	
928161-0-00	C12	
927380-0-00	C3	
927381-0-00	C4	
927382-0-00	C5-C7-C9-C10-C13	
929879-0-00	C2-C14-C16-C17	
931538-0-00	C15	
923409-0-00	D1-D2-D3-D4-D6-D7-D8-D9-D10 D11-D12-D13-D38-D39-D40-D41 D42	
923706-0-00	D5	
932022-0-00	DZ1	
927463-0-00	DZ2	
927469-0-00	DL1	
929886-0-00	FT2	923538-0-00
928173-0-00	RL1-RL2	927228-0-00
927231-0-00	TR1-TR2-TR3	
925631-0-00	JA1-JA3	923558-0-00
927471-0-00	JA2	927470-0-00
929893-0-00	IC1-IC2	927228-0-00
929891-0-00	IC3-IC4-IC9	927228-0-00
929890-0-00	IC5	927228-0-00
927230-0-00	IC6-IC7-IC8	927228-0-00
929892-0-00	IC10	928218-0-00
927229-0-00	IC11-IC12-IC13	928218-0-00
929925-0-00	IP	
927473-0-00	I	
927474-0-00	S	
931219-0-00	SP1	
926547-0-00	X	
931968-0-00	CONN	928218-0-00

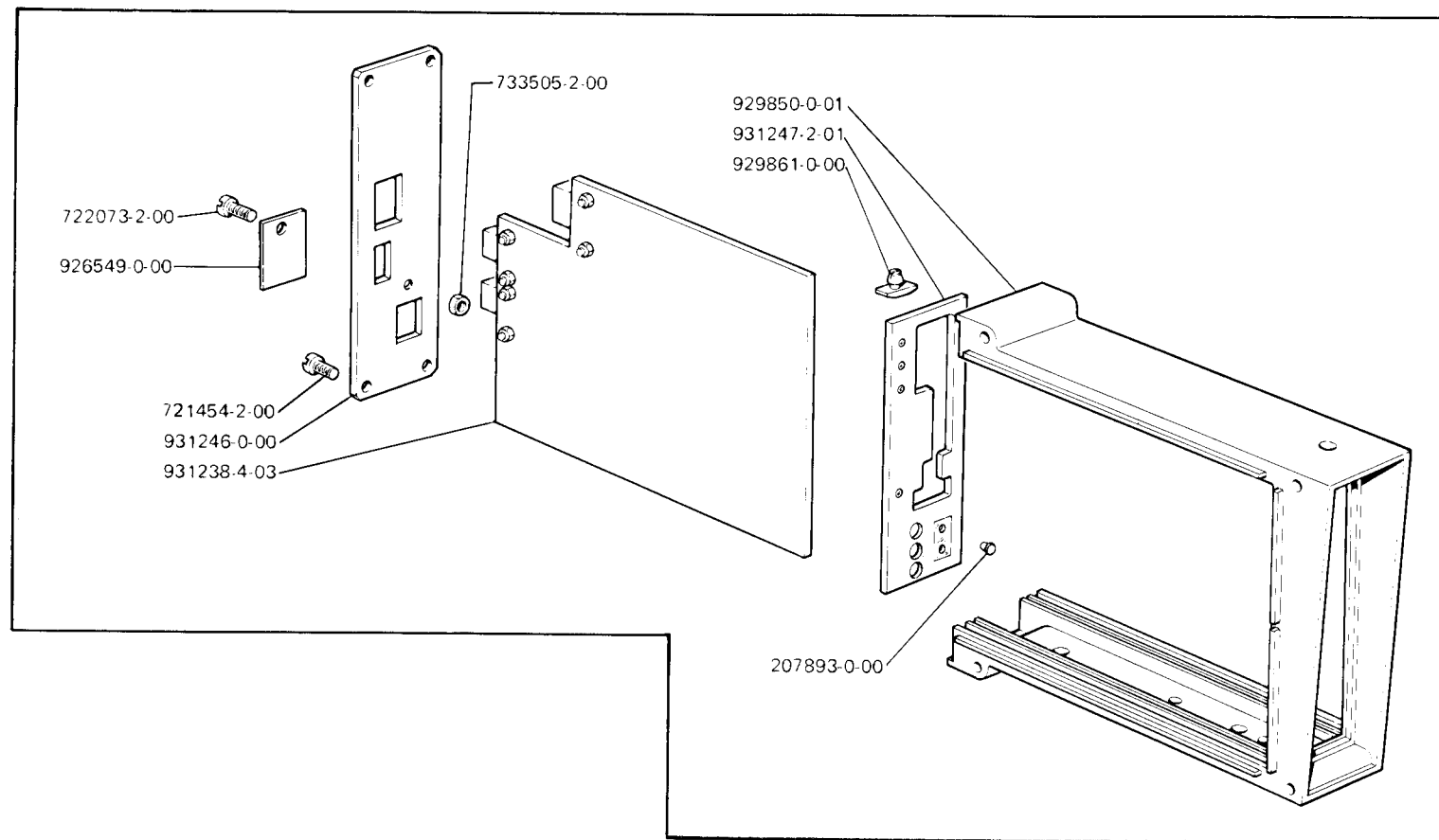
931939-4-01 M030.1



Rim® TAV. 21

151-D1
151-G1
151-GA

SOLO PER TESTE
ONLY FOR HEADS
SEULEMENT POUR TETES
627-34-1KD-02
627-34-1KD-12



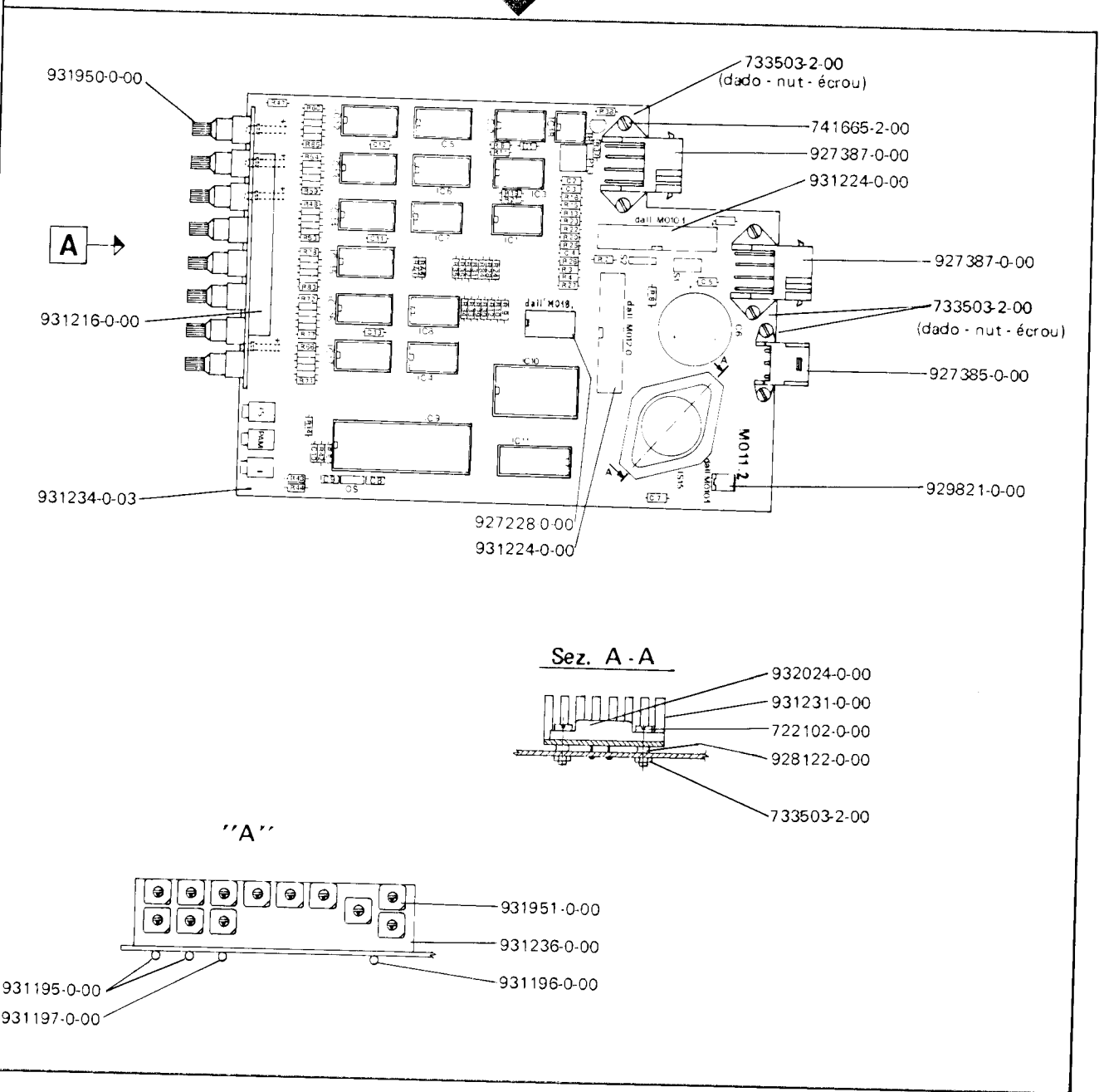
931011-4-04 (M011.3)

Part./Piece N.	SIMBOLO - SYMBOL	Zoccolo/Base N.
931211-0-00	OS	
931129-0-00	R2-R5-R8-R11-R15 R20-R21-R23-R25-R38-R84	
931141-0-00	R3-R9-R26-R27	
931150-0-00	R4-R10	
931116-0-00	R6	
931121-0-00	R12-R47	
931133-0-00	R13-R14-R24-R30-R34-R37-R41-R43-R45-R48-R83	
931132-0-00	R16	
931149-0-00	R19-R42	
931161-0-00	R28	
931130-0-00	R29-R31-R32-R33-R35-R36	
927223-0-00	C1	
927382-0-00	C2	
929879-0-00	C3-C4-C7-C11-C12-C13	
931191-0-00	C5-C14	
931193-0-00	C6	
931192-0-00	C8-C9	
931209-0-00	C10	
925623-0-00	PT3	
929575-0-00	TR1	
931202-0-00	IC1	927228-0-00
931205-0-00	IC2	927228-0-00
931204-0-00	IC3-IC7-IC8	927228-0-00
931203-0-00	IC4	927228-0-00
931206-0-00	IC5-IC6	928218-0-00
931210-0-00	IC9	931214-0-00
931504-0-00	IC10	931213-0-00
931208-0-00	IC11	931212-0-00
931207-0-00	IC12-IC17	928218-0-00
931201-0-00	IC18	927470-0-00
926537-0-00	I - IS	
927475-0-00	P A M	
931157-0-00	R22	
926548-0-00	S1	
926547-0-00	S2	

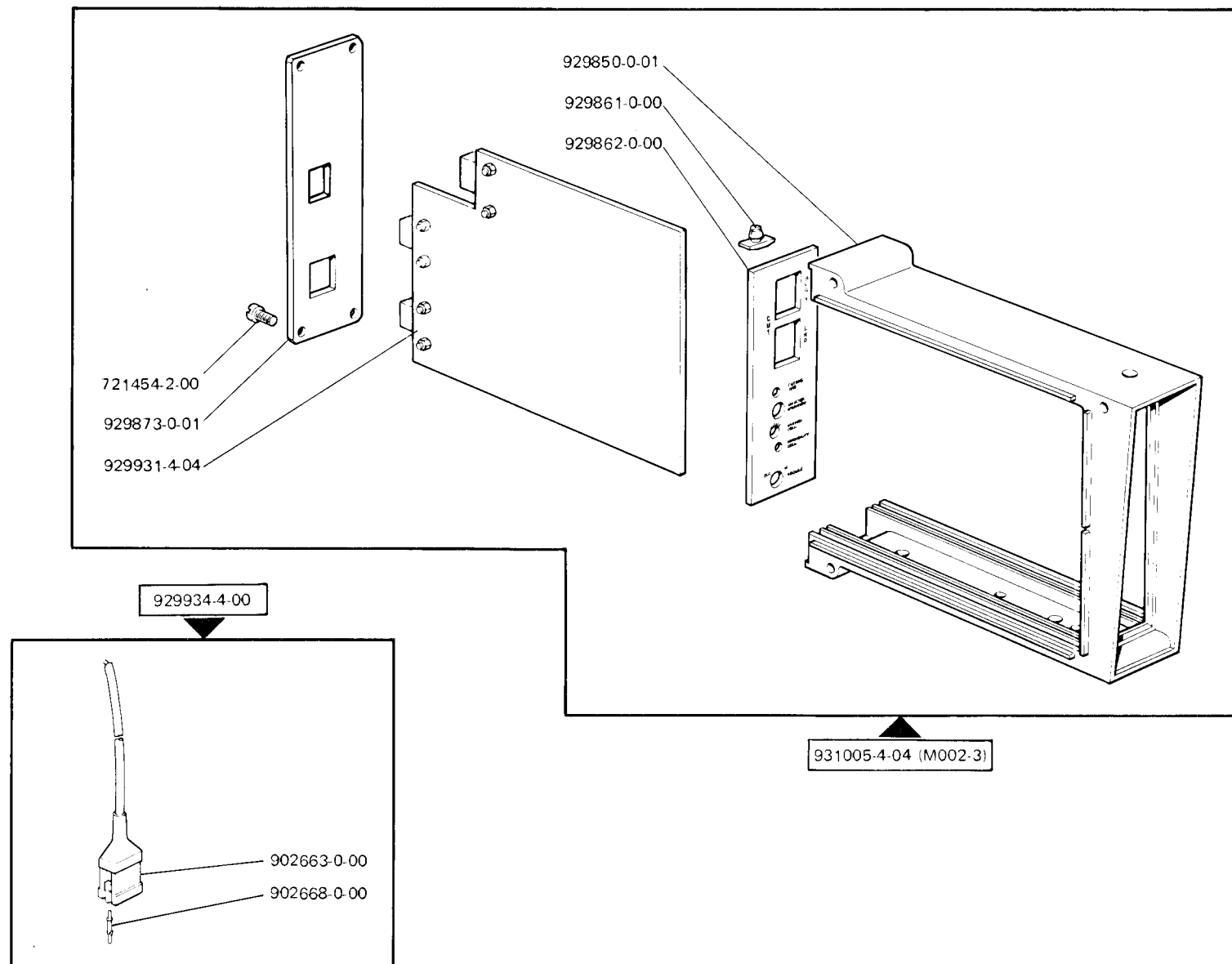
SOLO PER TESTE
ONLY FOR HEADS
SEULEMENT POUR TETES
627-34-1KD-02
627-34-1KD-12

Rim® TAV. 22
151-D1
151-G1
151-GA

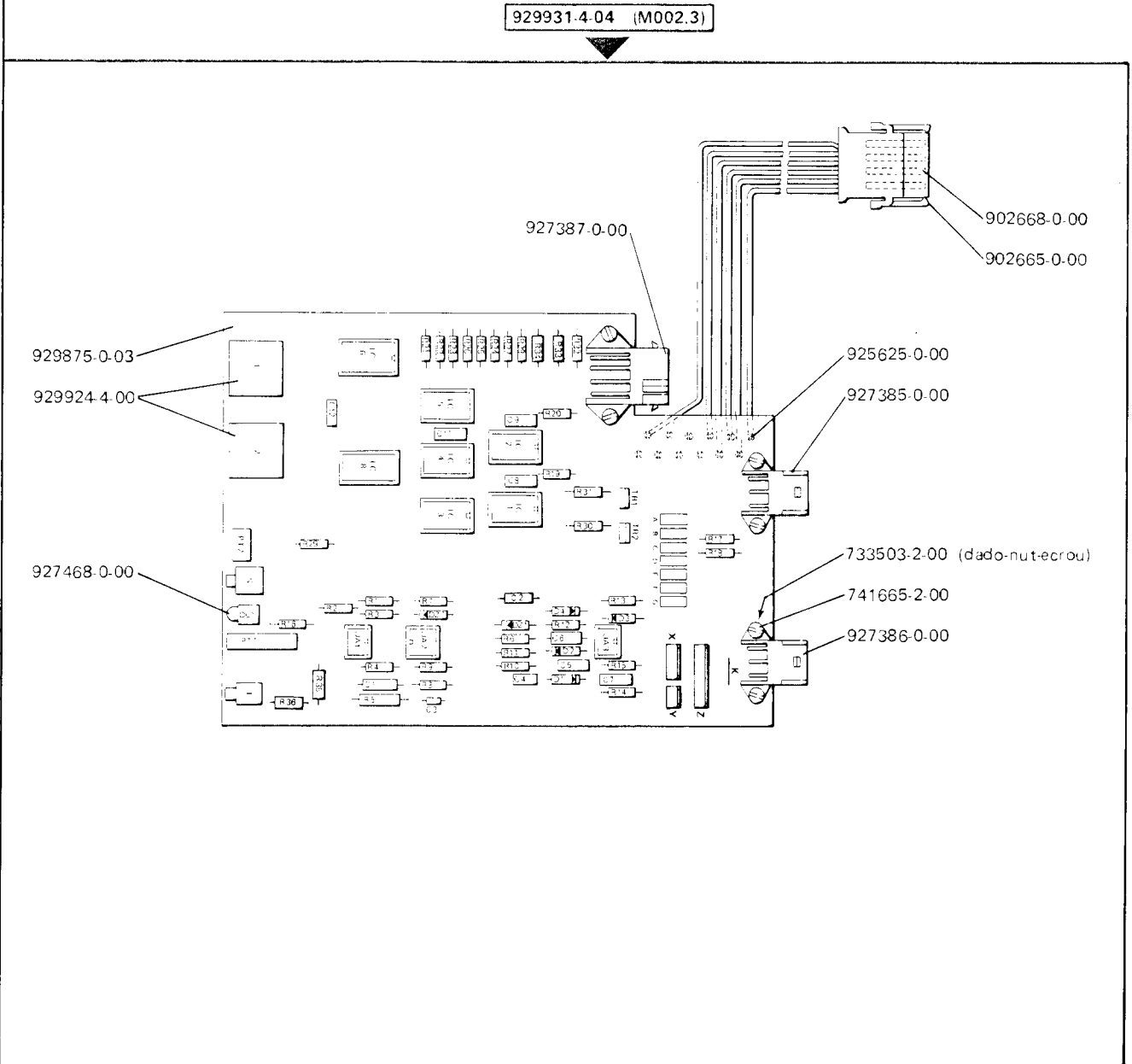
931238-4-02 (M011-3)



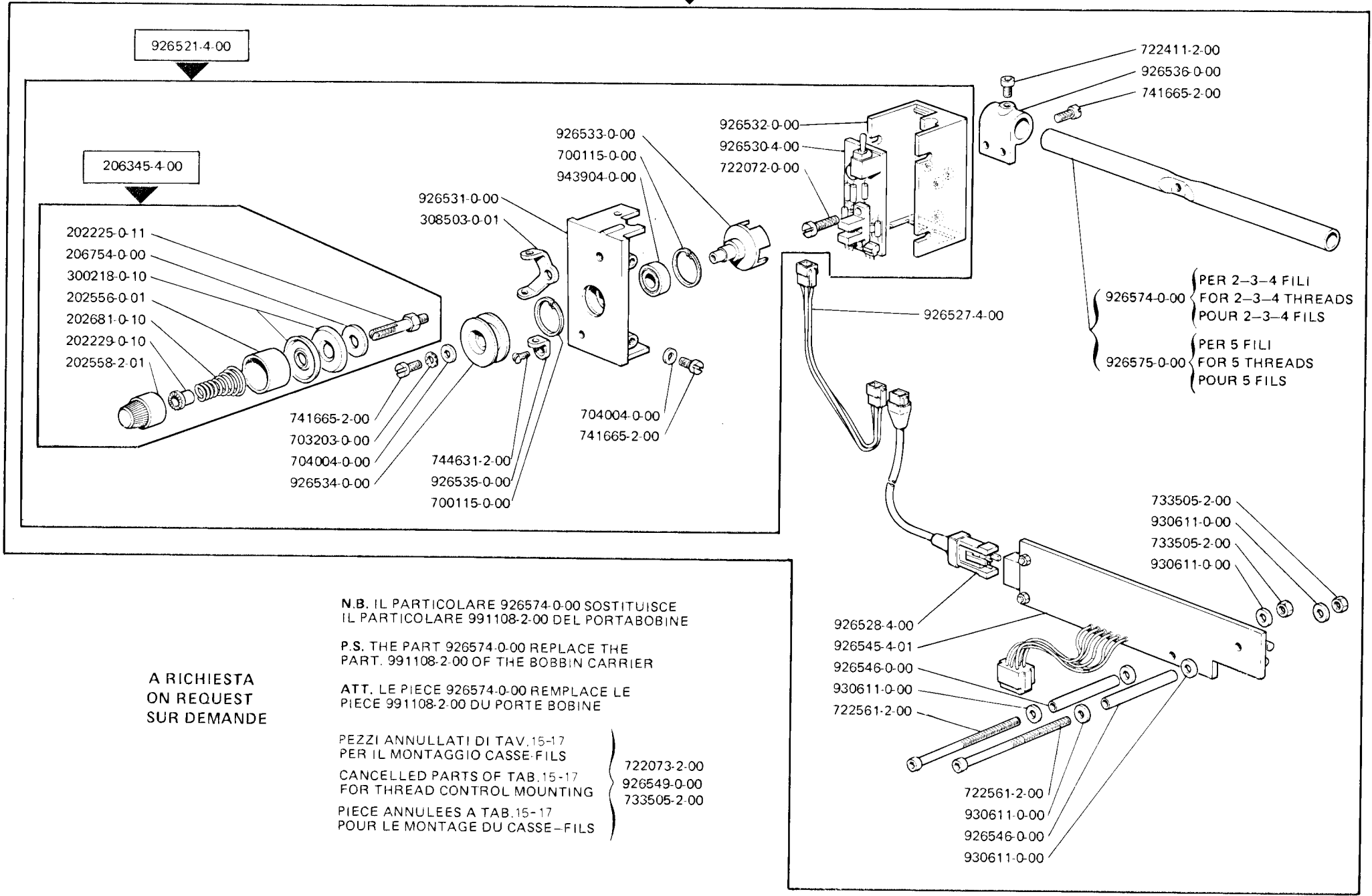
151-D1
151-G1
151-GA



Part./Piece N.	SIMBOLO – SYMBOL	Zoccolo/Base N.
925662-0-00	R1	
927446-0-00	R2-R8	
928167-0-00	R3-R33-R35	
925661-0-00	R4-R17-R18-R21-R28-R32	
943799-0-00	R5	
923623-0-00	R6	
927442-0-00	R7	
927448-0-00	R9	
927449-0-00	R10	
927444-0-00	R11	
925973-0-00	R12	
927445-0-00	R13	
927443-0-00	R14	
927447-0-00	R15	
927226-0-00	R16	
925663-0-00	R19-R20-R29	
925971-0-00	R30	
927383-0-00	C1-C6	
925970-0-00	R34-R36	
927380-0-00	C3	
927381-0-00	C4	
927382-0-00	C5-C7-C8-C9	
929879-0-00	C2-C11-C12	
927231-0-00	TR2	
931552-0-00	PT1	
929576-0-00	PT2	
932022-0-00	DZ1	
927463-0-00	DZ2	
923409-0-00	D1-D2-D3-D4	
927469-0-00	DL1	
925631-0-00	JA1-JA3	923558-0-00
927471-0-00	JA2	927470-0-00
929893-0-00	IC1	927228-0-00
927230-0-00	IC2-IC4	927228-0-00
929891-0-00	IC3-IC5	927228-0-00
927229-0-00	IC6-IC8	928218-0-00
927474-0-00	S	
926537-0-00	I	
926548-0-00	A-B-C-D-E-F-G	
931563-0-00	X	
931219-0-00	Y	
931564-0-00	Z	



928229-4-00 2 FILI- 2 THREADS- 2 FILS	928230-4-00 3 FILI-3 THREADS- 3 FILS	928231-4-00 4 FILI- 4 THREADS- 4 FILS	928232-4-00 5 FILI- 5 THREADS- 5 FILS
--	---	--	--



A RICHIESTA
ON REQUEST
SUR DEMANDE

N.B. IL PARTICOLARE 926574-0-00 SOSTITUISCE
IL PARTICOLARE 991108-2-00 DEL PORTABOBINE

P.S. THE PART 926574-0-00 REPLACE THE
PART. 991108-2-00 OF THE BOBBIN CARRIER

ATT. LE PIECE 926574-0-00 REMPLACE LE
PIECE 991108-2-00 DU PORTE BOBINE

PEZZI ANNULLATI DI TAV. 15-17
PER IL MONTAGGIO CASSE-FILS } 722073-2-00
CANCELLED PARTS OF TAB. 15-17 } 926549-0-00
FOR THREAD CONTROL MOUNTING } 733505-2-00

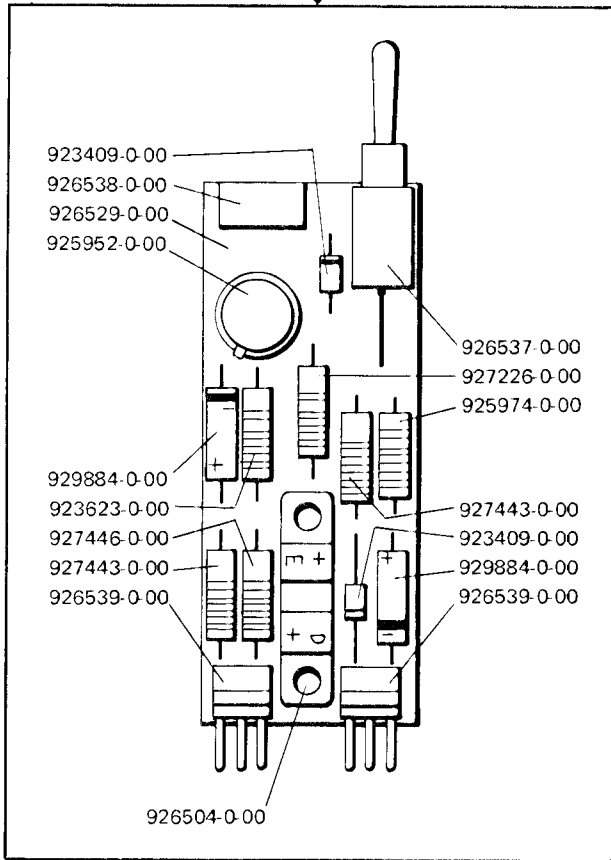
PIECE ANNULEES A TAB. 15-17
POUR LE MONTAGE DU CASSE-FILS }

926574-0-00 { PER 2-3-4 FILI
FOR 2-3-4 THREADS
POUR 2-3-4 FILS

926575-0-00 { PER 5 FILI
FOR 5 THREADS
POUR 5 FILS

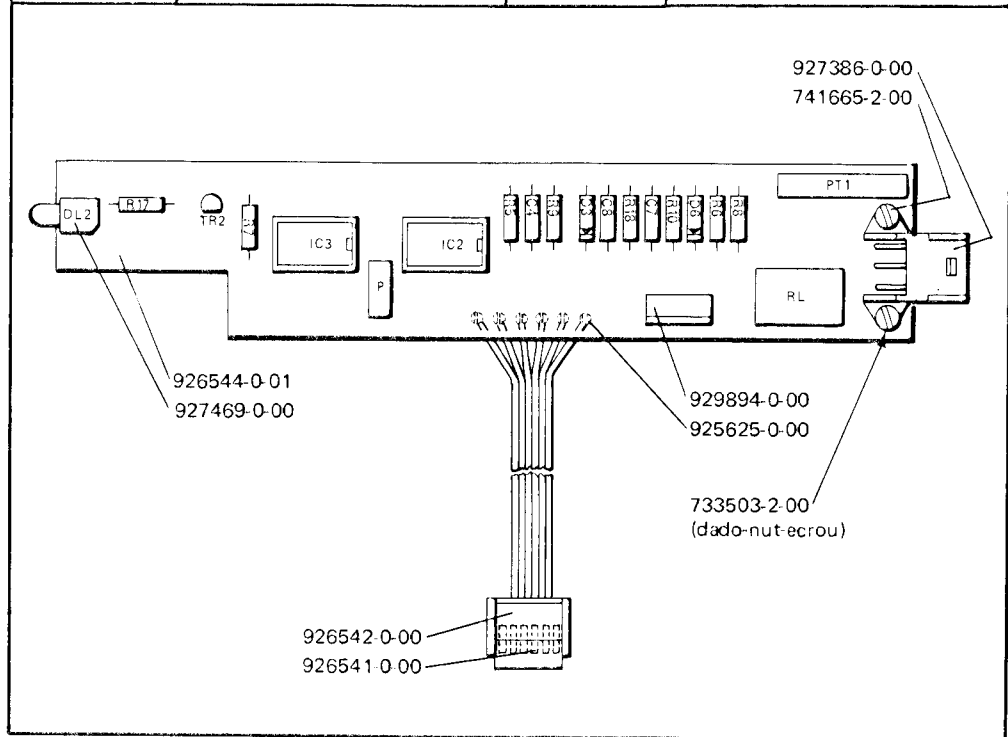
A RICHIESTA
ON REQUEST
SUR DEMANDE

926530-4-00 (SF1)



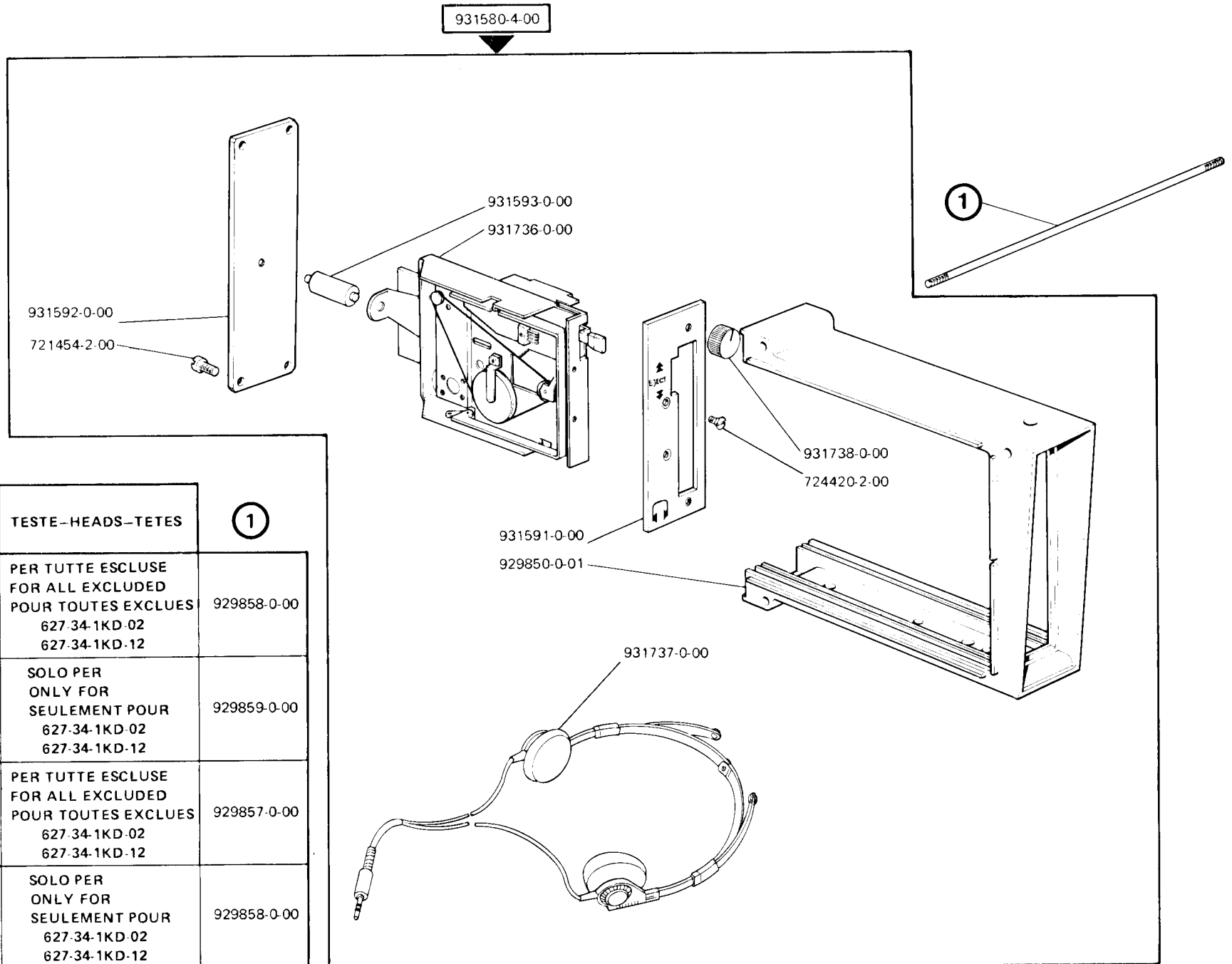
926545-4-01 (M004-1)

Part./Piece N.	SIMBOLO -- SYMBOL	Zoccolo/Base N.
927447-0-00	R5	
931159-0-00	R6	
926634-0-00	R7	
925661-0-00	R8	
925659-0-00	R9	
931126-0-00	R10	
927226-0-00	R17	
923623-0-00	R18	
929884-0-00	C4-C7	
929879-0-00	C8	
923409-0-00	D3-D6	
926633-0-00	PT1	
929885-0-00	TR2	
929577-0-00	RL	
929893-0-00	IC2	927228-0-00
927230-0-00	IC3	927228-0-00
927468-0-00	DL2	
926548-0-00	P	

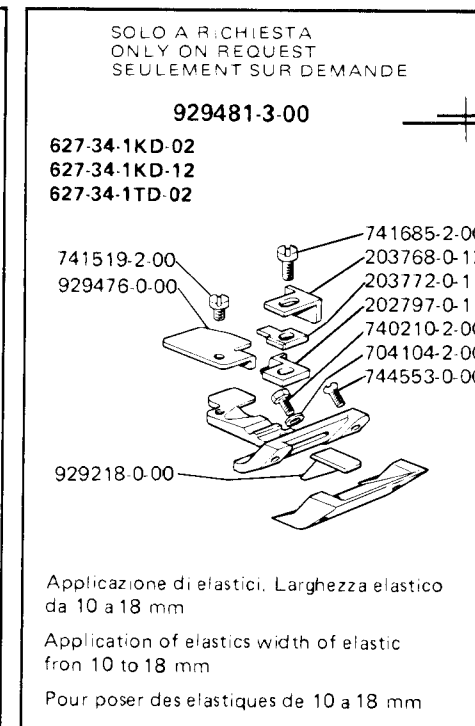
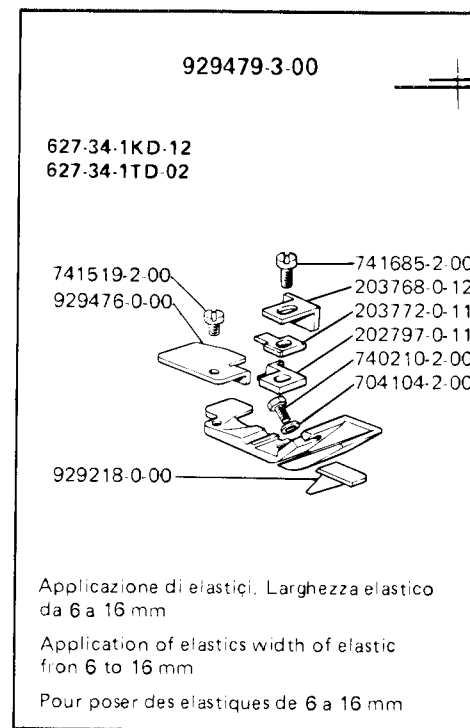
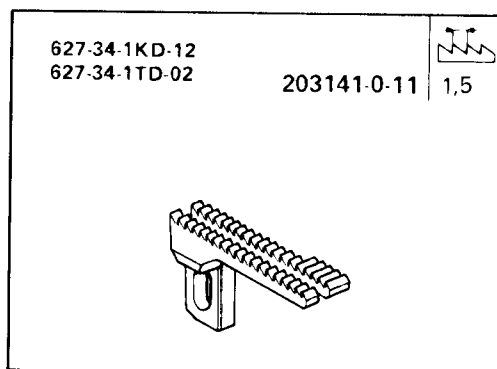
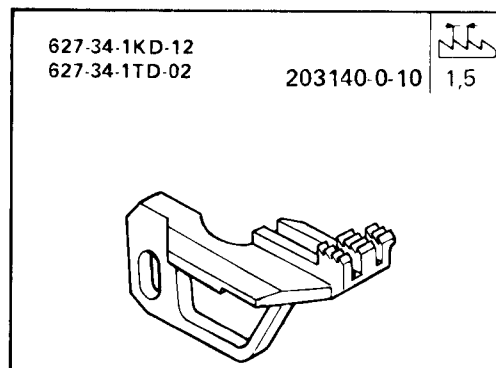
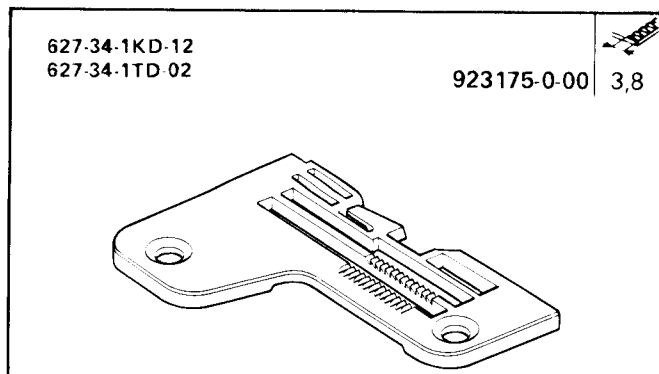


151-D1
151-G1
151-GA

A RICHIESTA
ON REQUEST
SUR DEMANDE



APPARECCHIATURE DEVICES DISPOSITIFS	TESTE-HEADS-TETES	1
151-G1/151-GA	PER TUTTE ESCLUSE FOR ALL EXCLUDED POUR TOUTES EXCLUES 627-34-1KD-02 627-34-1KD-12	929858-0-00
151-G1/151-GA	SOLO PER ONLY FOR SEULEMENT POUR 627-34-1KD-02 627-34-1KD-12	929859-0-00
151-D1	PER TUTTE ESCLUSE FOR ALL EXCLUDED POUR TOUTES EXCLUES 627-34-1KD-02 627-34-1KD-12	929857-0-00
151-D1	SOLO PER ONLY FOR SEULEMENT POUR 627-34-1KD-02 627-34-1KD-12	929858-0-00



ORGANI DI CUCITURA — SEWING PARTS — ORGANE DE COUTURE

I particolari non richiamati si intendono appartenenti alla testa e pertanto vanno ricercati sul catalogo della testa interessata.

The parts not listed, said parts belong to the machine and therefore must be sought in the parts catalogue for the machine in question.

Les pièces pas citée, il s'agit de pièces appartenant à la tête, pour ces pièces, il faut consulter le catalogue de la tête en question.