

627-34-1KD-12  
627-34-1KD-12/351-FB

1ª EDIZIONE – EDITION 11/85 **n. 332**

## ISTRUZIONI PER LA CONSULTAZIONE DEL CATALOGO PER TESTE O PER APPARECCHIATURE

- Tutti i particolari delle teste sono rappresentati in più tavole come indicato nell'indice.
- I particolari sono esplosi nelle stesse posizioni in cui si trovano nelle teste.
- Le linee tratteggiate indicano i collegamenti tra i pezzi che per ragioni di disegno o di spazio non possono essere illustrati nello stesso asse.
- I simboli racchiusi da un riquadro (es. xxxxxx-x-xx ) si riferiscono sempre a gruppi o sottogruppi.
- Nella rappresentazione grafica i componenti dei gruppi sono racchiusi da un riquadro; i componenti dei sottogruppi sono anch'essi riquadrati all'interno del gruppo.

### TAVOLE CON PARTICOLARI COMUNI A TUTTE LE TESTE

- I simboli dei particolari o dei gruppi si leggono direttamente in corrispondenza dei pezzi.

### TAVOLE CON PARTICOLARI NON COMUNI A TUTTE LE TESTE

- I simboli dei particolari o dei gruppi si leggono direttamente in corrispondenza dei pezzi.
- I particolari specifici per le singole teste sono indicati nel disegno con un numero progressivo evidenziato da un cerchio per i pezzi singoli o piccoli gruppi e da un quadrato per i gruppi principali. Per ricercare il simbolo del pezzo e del gruppo occorre consultare la relativa tabella riportata nella stessa tavola.

### TAVOLE DOPPIE

- Per facilitare la consultazione alcune tavole sono state duplicate e sono indicate con lo stesso numero affiancato da una lettera (es. 3/A - 3/B).

## ORGANI DI CUCITURA - GUIDE - ACCESSORI VARI

- Gli organi di cucitura - le guide - gli accessori vari sono preceduti da tavole riepilogative con l'indicazione dei particolari in dotazione e a richiesta.

### AGHI

- Gli aghi sono contraddistinti dal sistema e dalla finezza. Il sistema dell'ago e la finezza sono marcati oltre che sulla busta, anche sull'ago stesso. Nelle ordinazioni precisare, oltre al simbolo, il sistema e la finezza degli aghi desiderati. In caso di dubbio allegare un ago campione o una busta vuota.

## INSTRUCTIONS TO CONSULT THE CATALOGUE FOR HEADS OR FOR DEVICE

- All the spare parts are illustrated in several tables as indicated in the index.
- The parts are illustrated as they belong together in the machine
- The dashed illustration shows where the adjacent parts belong
- The symbols included in a square (e.g. xxxxxx-x-xx ) are always referred to assemblies or sub-assemblies.
- In the graphical representation the components belonging to sub-assemblies are also included in a square within their assembly.

### TABLES WITH PARTS COMMON TO ALL HEADS

- The symbols of the parts or of the assemblies can be read in direct reference to the parts.

### TABLE WITH PARTS NOT COMMON TO ALL HEADS

- The symbols of the parts or of the assemblies can be read in direct reference to the parts.
- In the drawing the specific parts for the single heads are indicated by a progressive figure which is made evident by a circle for the single parts or small assemblies and by a square for the main assemblies. The symbol of the part or of the assembly can be located by consulting the relevant part-list included in the same table.

### DOUBLE TABLES

- For easier reference, some tables have been duplicated. They are indicated by the same figure plus an additional letter, (e.g. 3/A and 3/B)

## SEWING PARTS - FOLDERS - VARIOUS ACCESSORIES

- Sewing parts, folders and various accessories are preceded by summary tables indicating standard parts supplied and parts supplied on request.

### NEEDLE

- The needles are marked with system and size. The system and size of the needle are shown on the packet as well as on the needle itself. When ordering please state symbol, system and size. If you have doubts, enclose a sample needle or an empty packet with your order.

## INSTRUCTIONS POUR LA CONSULTATION DU CATALOGUE POUR TÊTES OU POUR DISPOSITIFS

- Toutes les pièces des têtes sont représentées en plusieurs tables comme nous avons indiqué dans l'index.
- Les pièces figurent sur l'illustration comme elles vont ensemble
- Les figures en tirets montrent le lieu de montage des pièces figurant à côté.
- Les symboles compris entre panneaux (ex. xxxxxx-x-xx ) se réfèrent toujours à des groupes ou sous-groupes.
- Dans la représentation graphique les composants des sous-groupes sont eux-mêmes encadrés à l'intérieur du groupe.

### TABLES AVEC COMPOSANTS COMMUNS A TOUTES LES TÊTES

- Les symboles des composants et des groupes se lisent directement en correspondance des pièces.

### TABLES AVEC COMPOSANTS NON COMMUNS A TOUTES LES TÊTES

- Les symboles des composants et des groupes se lisent directement en correspondance des pièces.
- Les composants spécifiques de chaque tête sont indiqués sur les dessins avec un numéro progressif encadré pour les simples composants ou petits groupes et numéro encadré pour les groupes principaux. Pour chercher le symbole de la pièce ou du groupe il faut consulter la relative fiche reportée sur la même table.

### TABLE DOUBLE

- Pour faciliter la consultation certaines tables ont été doublées et sont indiquées avec le même numéro suivi par une lettre (ex. 3/A - 3/B)

## ORGANES DE COUTURES - GUIDES - ACCESSOIRES DIVERS

- Les organes de coutures - les guides - les divers accessoires sont précédés de tables résumés avec l'indication des composants en dotation et sur demande.

### AIGUILLES

- Les aiguilles se différencient par le système et la grosseur. Le système de l'aiguille et sa grosseur, son indiqués non seulement sur le sachet mais également sur l'aiguille. Dans l'ordre précisé, en plus du symbole, le système et la grosseur des aiguilles désirés. En cas de doute, joindre une aiguille comme modèle ou un sachet vide.

SOLO I PEZZI DI RICAMBIO ORIGINALI RIMOLDI MARCATI **Rim**<sup>®</sup>  
GARANTISCONO EFFETTIVA INTERCAMBIABILITA', FUNZIONALITA', DURATA

ONLY GENUINE RIMOLDI SPARE PARTS TRADEMARKED **Rim**<sup>®</sup>  
GUARANTEE EFFECTIVE INTERCHANGEABILITY, EXCELLENT QUALITY, LONG LIFE

SEULEMENT LES PIÈCES DÉTACHÉES D'ORIGINE RIMOLDI MARQUÉES **Rim**<sup>®</sup>  
GARANTISSENT UNE INTERCHANGEABILITÉ, UN FONCTIONNEMENT ET UNE DURÉE EFFICACE

## SOMMARIO SUMMARY SOMMAIRE

TAV. N. TAB. N.	DESCRIZIONE	DESCRIPTION	DESCRIPTION
1	CARTER E PIANO DI LAVORO	CARTER AND WORKING PLATE	CARTER ET PLAN DE TRAVAIL
2	COPERCHIO CON TENSIONI E PASSAFILI	COVER WITH TENS. AND THREAD GUIDE	COUVERCLE AVEC TENS. ET PASSE FILS
3	ALBERO PRINCIPALE	MAIN SHAFT	ARBRE PRINCIPAL
4.4A	COMANDO GRIFFA	FEED DOG CONTROL	COMMANDE GRIFFE
5	PORTA CROCHETS	LOWER LOOPERS	PORTE CROCHETS
6	SUPPORTO PORTA CROCHETS	LOWER LOOPERS SUPPORT	SUPPORT PORTE CROCHETS
7	CINEMATISMO BARRA AGO	NEEDLE BAR CONTROL	CINEMATISME BARRE AIGUILLE
8	SUPPORTO E LEVA PREMISTOFFA	SUPPORT AND PRESSER LEVER	SUPPORT ET LEVIER PRESSE-TISSUE
9	PORTA COLTELLI E SALVA AGO	KNIVES HOLDER AND REAR NEEDLE GUARD	PORTE COUTEAUX ET PROTEGE AIGUILLES
10	POMPA OLIO E LUBRIFICAZIONE	OIL PUMP AND LUBRICATION	POMPE A HUILE ET LUBRIFICATION
11	BACINELLA OLIO	OIL SUMP	RESERVOIR HUILE
12	ACCESSORI IN DOTAZIONE	AUXILIARY EQUIPMENT	ACCESSOIRES EN DOTATION
13	PIAZZAMENTO NORMALE	NORMAL SETTING	PLACEMENT NORMAL
14	PORTA BOBINE	BOBBIN CARRIER	PORTE BOBINE
15	ORGANI DI CUCITURA	SEWING PARTS	ORGANES DE COUTURE
16-17	RULLI ALIMENTATORI	FEEDERS ROLLERS	ROULEAUX DE ALIMENTATIONS
18	LUBRIFICAZIONE AL SILICONE	SILICONE LUBRICATION	LUBRIFICATION AVEC SILICONE
19	GRUPPO MODULI	MODULES ASSEMBLY	GOUPE MODULES
20	MODULO M010.2	M010.2 MODULE	MODULE M010.2
21	PANNELLO M010.2	M010.2 PANEL	PANNEAU M010.2
22	MODULO M011.2 - M012.1	M011.2 - M012.1 MODULE	MODULE M011.2 - M012.1
23	PANNELLO M011.2	M011.2 PANEL	PANNEAU M011.2
24	PANNELLO M012.1	M012.1 PANEL	PANNEAU M012.1
25	MODULO MUSICASSETTE	CASSETTE PLAYER MODULE	MODULE MUSICASSETTES
26	MODULO CASSE-FILS	THREAD CONTROL MODULE	MODULE CASSE-FILS
27	PANNELLI CASSE-FILS	THREAD CONTROL PANELS	PANNEAUX CASSE-FILS
28	PULSANTE A GINOCCHIELLO	KNEE PRESS PUSH-BUTTON	POUSSOIR A GENOUILLERE
29	GINOCCHIELLO	KNEE PRESS	GENOUILLERE
30	DISPOSITIVO TAGLIATORE	CUTTING DEVICE	DISPOSITIF DE COUPE
31	ASPIRA CATENELLA	CHAIN SUCTION	ASPIRATION CHAINETTE
32	TIRANTE	TIE ROD	TIRANT
33	CILINDRO ALZAPIEDINO	PRESSER FOOT LIFTER CYLINDER	CYLINDRE SOULEVE PIED PRESSEUR
34	TAVOLA	TABLE	TABLEAU
35	PIASTRA F.R.L.	F.R.L. PLATE	PLAQUE F.R.L.

INDICE NUMERICO

INDEX

Part. N.	Tav. N.	Part. N.	Tav. N.	Part. N.	Tav. N.	Part. N.	Tav. N.	Part. N.	Tav. N.	Part. N.	Tav. N.	Part. N.	Tav. N.
100620-2-10	4	203135-2-10	2	206714-2-00	2	207991-0-00	9	209203-2-00	6	209403-2-00	4	209590-0-00	9
100862-0-10	16	203142-0-10	8	206740-0-00	2	207992-0-01	9	209205-2-00	6	209404-0-00	4	209621-3-00	10
100892-0-10	4A	203219-0-11	15	206747-0-01	2	207995-0-00	9	209206-0-00	6	209405-0-00	4	209624-0-00	11
200356-0-10	1-16	203525-0-11	9	206752-0-00	13	207998-2-00	9	209209-0-00	5-6	209408-2-00	4	209627-0-00	10
200490-0-00	18	203768-0-11	15	206754-0-00	2-26	207999-0-00	9	209210-0-00	6	209411-0-00	4	209628-0-00	10
201128-0-10	5-6	203772-0-11	15	206757-0-00	9	208015-0-00	5	209217-0-00	6	209412-0-00	1	209633-0-00	10
201236-0-10	17	203949-0-10	16	206758-0-00	9	208207-0-00	18	209222-0-00	6	209413-0-00	1	209634-0-00	10
202032-0-11	4	204122-0-10	3	206794-0-00	4	208220-0-00	2	209224-0-00	6	209414-0-00	10	209640-0-00	10
202100-0-10	30	204947-0-10	8	206795-0-00	4	209013-0-00	11	209225-0-00	6	209415-0-00	1	209641-0-00	10
202128-0-10	9	205191-0-10	9	206796-0-00	4	209016-0-00	2	209226-0-00	6	209416-0-00	1	209642-0-00	6
202129-0-10	9	205951-0-00	15	206798-0-00	4	209017-0-00	2	209241-3-00	6	209417-0-00	1	209644-0-00	11
202130-0-11	9	205952-0-01	15	206810-2-00	8	209020-0-00	1	209243-0-00	2	209427-3-00	4A	209645-0-00	11
202134-0-00	9	206345-4-00	26	206875-0-00	4	209022-0-00	2	209248-0-00	15	209442-0-00	4A	209646-0-00	11
202142-0-10	15	206521-0-00	7	207000-2-00	15	209041-0-00	11	209250-2-00	5	209443-0-00	4A	209647-4-00	11
202143-0-10	15	206533-0-00	7	207008-2-00	15	209045-0-00	1	209252-0-00	5	209444-0-00	4A	209652-0-00	18
202146-0-10	15	206543-0-01	3	207015-2-00	15	209048-3-00	11	209258-0-00	5	209445-2-00	4A	209655-4-00	18
202214-0-11	8	206550-4-04	10	207111-0-00	9	209080-3-00	7	209261-0-00	5	209448-4-00	4A	209659-2-00	18
202225-0-11	26	206554-0-10	10	207421-0-00	9	209100-2-00	3	209264-0-00	15	209449-0-00	4A	209662-4-00	18
202227-0-10	2	206555-0-02	10	207520-2-00	7	209104-0-00	3	209270-2-00	5-6	209455-3-00	4	209664-0-00	18
202229-0-10	2-26	206556-0-01	3	207540-0-00	7	209105-2-00	7	209272-0-00	5-6	209459-0-00	4A	209667-0-00	18
202288-0-10	15	206557-0-00	10-16	207574-0-00	7	209108-0-00	7	209277-2-00	5	209500-0-10	8	209668-0-00	11
202371-0-10	8	206564-0-00	11	207588-0-01	9	209109-0-00	3	209316-0-00	10	209501-0-00	8	209678-0-00	10
202385-0-10	4	206603-0-10	4A-7	207625-0-00	8	209110-4-00	3	209375-0-00	4A	209502-2-01	8	209679-0-00	10
202386-0-10	3	206606-0-00	4-5-6	207626-0-00	8	209111-0-00	3	209376-0-00	4A	209503-0-10	8	209680-0-00	1
202387-0-10	3	206607-0-00	7	207653-0-01	9	209121-0-00	7	209377-0-00	4A	209504-0-00	8	209681-0-00	1
202389-0-10	3	206622-0-00	8	207692-2-00	7	209125-0-00	3	209378-0-00	4A	209510-0-00	8	209682-0-00	1
202391-0-11	8	206635-0-00	8	207719-0-00	4	209126-0-00	3	209379-0-00	4A	209516-0-00	8	209683-0-00	1
202398-0-10	1	206637-0-00	8	207893-0-00	2-16-22	209140-2-00	7	209380-0-00	4A	209517-0-00	8	209684-0-00	1
202408-0-10	4A	206642-0-00	8	207895-0-01	2	209143-0-00	7	209381-0-00	4A	209518-0-00	8	209686-0-00	1
202484-0-10	10	206658-2-02	6	207927-0-01	7	209144-2-00	3	209383-0-00	10	209524-2-00	8	209688-0-00	1
202489-0-10	15	206659-2-02	5	207930-0-10	7	209146-0-00	3	209384-0-00	4A	209561-0-00	9	209690-0-00	1
202490-0-10	4	206665-2-00	11	207932-0-10	7	209151-3-00	7	209386-0-01	4A	209569-2-00	9	209693-0-00	4
202529-0-10	8	206680-0-01	3	207948-0-00	4A	209152-4-00	7	209387-2-00	4	209570-0-00	9	209704-0-00	1
202556-0-01	2-26	206681-0-00	3	207959-0-00	8	209153-0-00	7	209388-0-00	4	209580-0-00	9	209710-0-00	1
202558-2-00	2-26	206687-2-00	10	207960-0-00	8	209161-0-00	7	209390-0-00	4	209583-0-00	7-9	209714-0-00	1
202609-0-10	15	206688-0-00	10	207962-0-01	8	209162-0-00	7	209392-3-00	4	209584-0-00	7	209719-0-00	1
202620-0-10	9	206689-0-01	3	207969-0-00	18	209177-0-00	7	209393-0-00	4A	209586-0-00	9	209720-0-00	1
202629-0-10	9	206690-2-00	10	207973-0-01	10	209183-0-00	3	209400-0-00	4	209587-0-00	9	209723-0-00	1
202681-0-10	2-26	206692-0-00	3	207980-0-00	1	209200-0-00	4	209401-2-00	4	209588-0-00	9	209724-0-00	1
202797-0-11	15	206693-0-00	3	207990-0-00	9	209201-0-00	4	209402-0-00	4	209589-2-00	9	209760-0-00	2

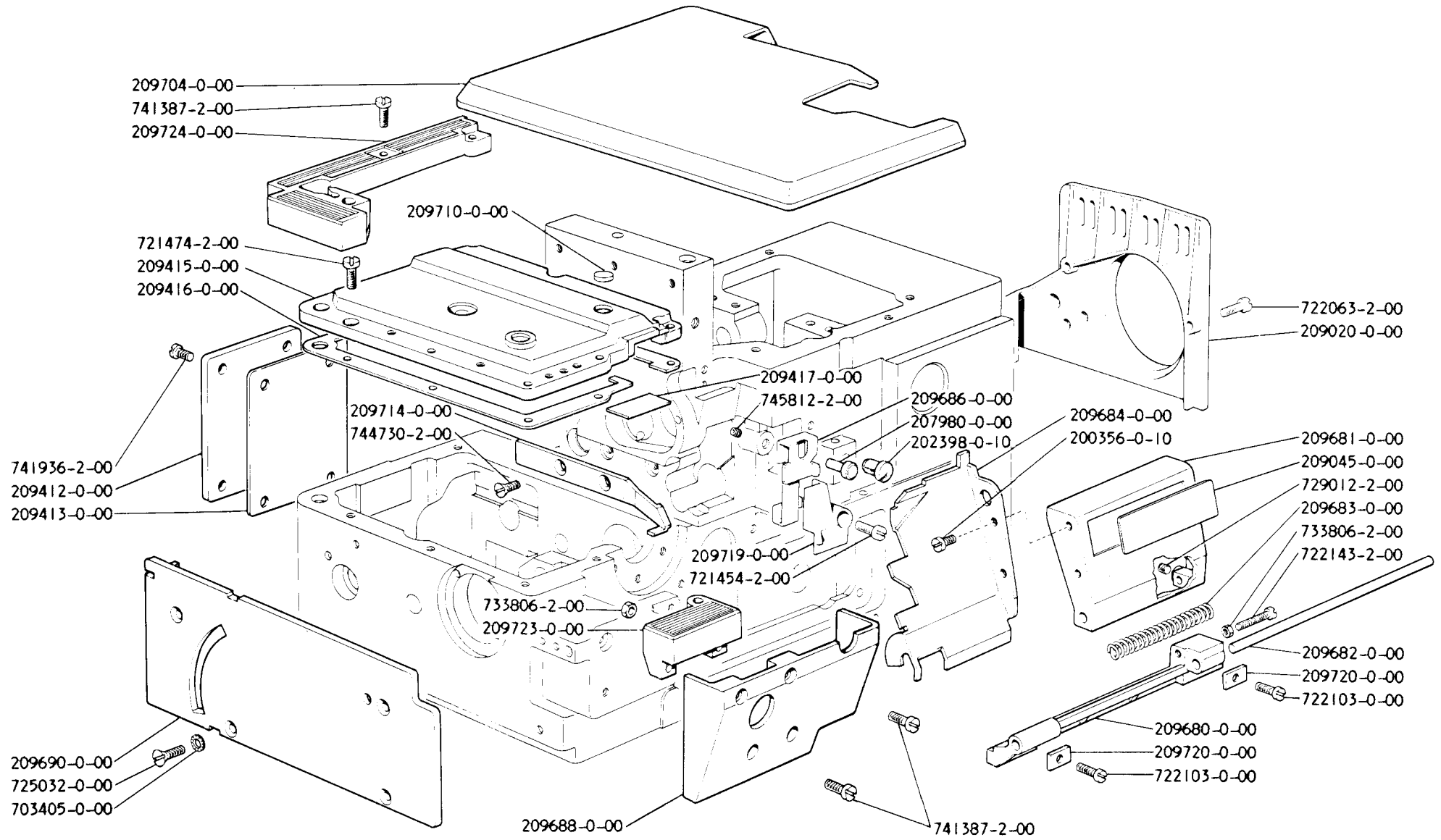
Part. N.	Tav. N.	Part. N.	Tav. N.	Part. N.	Tav. N.	Part. N.	Tav. N.	Part. N.	Tav. N.	Part. N.	Tav. N.	Part. N.	Tav. N.
209767-0-00	2	701104-0-00	34	704419-0-00	16	721484-2-00	10	724460-0-00	7	740087-2-00	4A	744334-2-00	4-7-9
209771-0-00	2	701116-0-00	3	704424-2-00	13	721485-2-00	16	724472-2-00	2	740210-2-00	15-30	744530-5-00	31
209772-0-00	2	701125-0-00	6	704505-2-00	16	721515-2-00	6	725032-0-00	1	740244-0-00	16	744533-0-00	9
209775-0-00	2	701132-0-00	33	704518-2-00	16	721883-0-00	5	727000-2-00	31	740250-2-00	30	744553-0-00	15
209779-0-00	2	701133-0-00	3-35	704630-0-00	2	722063-2-00	1-3-4A	727014-2-00	7-16	741387-2-00	1-10	744631-0-00	26
209896-0-00	2	702406-0-00	30	704717-0-00	2		8-10	727021-0-00	7	741403-0-00	16	744730-2-00	1
209897-0-00	2	702408-0-00	30	704802-0-00	16	722072-0-00	26	727036-2-00	5-6	741405-0-00	7	744742-0-00	15
209899-0-00	2	703003-0-00	30	704803-0-00	31	722073-2-00	20-22	728232-0-00	4A	741415-2-00	5	744922-2-00	3
300218-0-10	2-26	703005-0-00	14	704813-0-00	10-16	722102-0-00	21-23	729011-2-00	16	741433-2-00	8	745002-0-00	2-7
300482-0-10	9	703005-2-00	30	704829-0-00	4	722103-0-00	1	729012-2-00	1-4A-7	741526-2-00	4A	745421-0-00	7
300696-0-10	30	703007-0-00	30	704841-0-00	4-5-6	722103-2-00	20		16	741537-2-00	15	745800-2-00	2-5-7
300827-0-10	2	703008-0-00	29	704848-0-00	6-16	722123-2-00	8	729013-2-00	6	741538-2-00	5		18
303767-0-11	30	703010-0-00	29-30	704860-0-00	4	722143-2-00	1-29	729022-2-00	10	741552-0-00	9	745810-2-00	6-7
304424-2-10	16	703203-0-00	26-32	704863-0-00	7-9	722173-2-00	32	729023-2-00	4A	741558-0-00	2	745810-5-00	31
304458-0-10	16	703405-0-00	1	705029-0-00	16	722400+2-00	2	729031-2-00	4A-7-8	741559-2-00	30	745812-2-00	1-4-4A
304473-4-10	16	703503-2-00	21	705208-0-00	4	722401-2-00	31	729031-5-00	30	741611-2-00	4A		5-6-7
308503-0-01	26	703802-0-00	4A	705213-0-00	30	722410-2-00	3	729032-2-00	4A	741634-2-00	21		8-9-16
309562-0-00	7	704004-0-00	26	705845-0-00	5	722410-5-00	30	729033-2-00	4A	741642-2-00	30		17
310167-0-00	7	704013-2-00	13-28	705890-0-00	30	722411-2-00	26-35	729034-2-00	3-7-14	741657-0-00	2	745815-2-00	3-4A
310795-0-00	4A	704014-0-00	33	705970-0-00	10	722413-2-00	17-19-20		28	741665-2-00	21-23-24	746002-2-00	15-32
350555-0-00	4A	704017-2-00	14	705975-0-00	28	722421-2-00	31	730023-2-00	4A		26-27	746007-2-00	8
700010-0-00	4	704104-2-00	15-30-31	705977-0-00	11	722431-2-00	14-16	731045-0-00	34	741685-2-00	15-30	746203-4-00	29
700115-0-00	26		35	707221-0-00	34	722432-2-00	4	731086-0-00	35	741745-2-00	4	746204-2-00	8-32
700205-0-00	13-16-30	704106-2-00	16-20	707283-0-00	16	722433-2-00	16-19	731116-0-00	29	741912-2-00	6	746402-2-00	13-33
	33	704109-2-00	17	720103-2-00	19	722440-2-00	17	731244-0-00	34	741931-5-00	31	746409-2-00	13
700206-0-00	4	704205-2-00	30	720411-2-00	11	722442-2-00	4	733008-2-00	13	741936-2-00	1-4-4A	765200-1-90	7
700207-0-00	4-4A-16	704206-2-00	30	720431-2-00	2	722443-2-00	16	733211-2-00	14		6	778202-0-00	6
	29	704209-0-00	32	720445-2-00	29	722461-2-00	3	733503-2-00	21-23-24	741956-0-00	6	778204-0-00	7
700208-0-00	16	704213-2-00	7-8-9	720464-2-00	29	722464-2-00	30		27-35	741956-2-00	2-3-18	778206-0-00	7
700630-0-00	3	704216-2-00	29-30	720484-2-00	32	722471-2-00	9-35	733505-0-00	30	741984-2-00	34	778208-0-00	7
701004-0-00	4A-10	704218-2-00	33	720546-0-00	13	722480-2-00	9	733505-2-00	14-16-20	742086-2-00	10	778403-0-00	6
701005-0-00	11	704226-2-00	19	720555-2-00	33	722490-2-00	35		22-26-29	742457-2-00	9	778414-0-00	7
701006-0-00	4A-30	704236-2-00	3	721086-2-00	2	722511-2-00	10		32-35	742623-2-00	16	778417-0-00	7
701007-0-00	4-33	704306-0-00	4	721411-2-00	7	722531-2-00	35	733507-2-00	10	742675-0-00	3	778419-0-00	7-18
701009-0-00	7	704306-2-00	30	721412-2-00	2-16	722561-2-00	26	733508-2-00	14-19	742811-0-00	16	778503-0-00	7
701011-0-00	5	704314-2-00	4A	721434-2-00	11-16	722912-2-00	13	733510-2-00	33	742838-2-00	7	778511-0-00	7
701016-0-00	30	704346-2-00	13	721454-2-00	1-22-25	722920-2-00	13	733512-2-00	28	743243-2-00	5-6	778833-0-00	7
701030-0-00	30	704405-2-00	31	721473-2-00	3	724032-0-00	4	733806-2-00	1-4-14	743469-2-00	7-9	778842-0-00	7
701031-0-00	10	704406-0-00	9	721474-2-00	1-4-17	724420-2-00	25	734001-2-00	16-19	743547-2-00	2	788808-0-00	19
701037-0-00	33	704409-2-00	4A		18	724430-2-00	4A	740035-0-00	29	744332-2-00	4-8	790705-0-00	10

INDICE NUMERICO

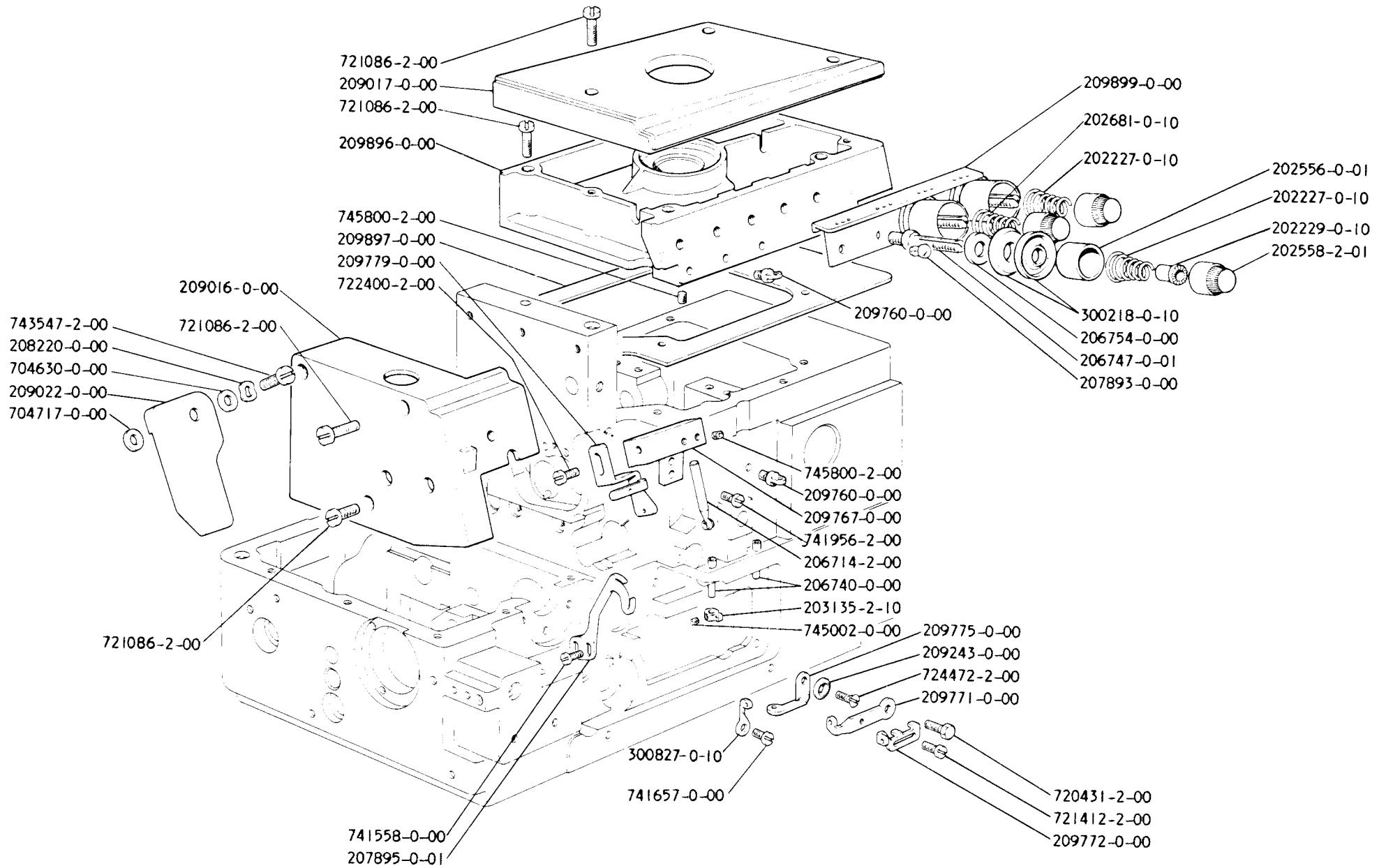
INDEX

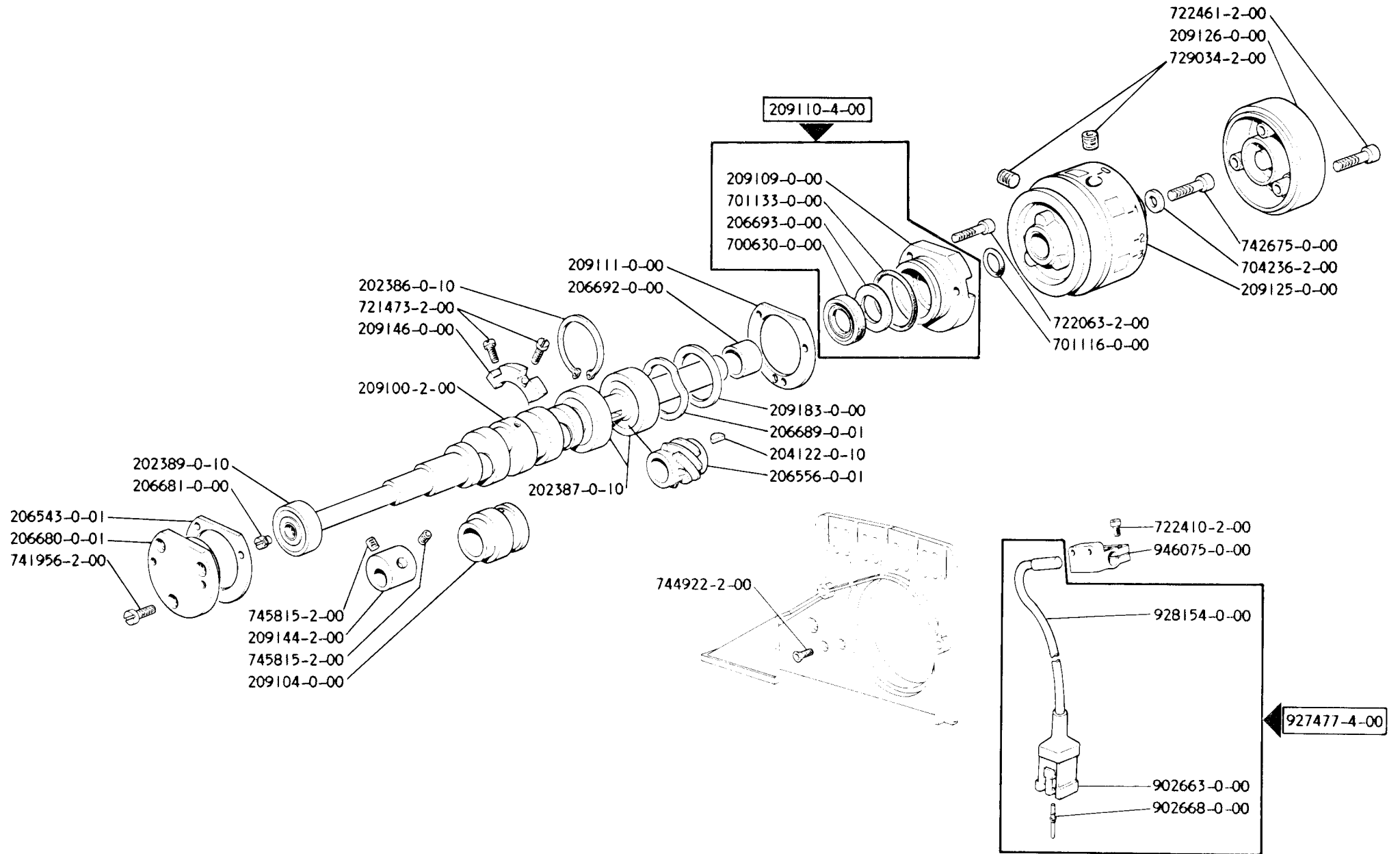
Part. N.	Tav. N.	Part. N.	Tav. N.	Part. N.	Tav. N.	Part. N.	Tav. N.	Part. N.	Tav. N.	Part. N.	Tav. N.	Part. N.	Tav. N.
790719-0-00	10	922773-4-10	35	925659-0-00	27	926533-0-00	26	927477-4-00	3	929423-0-00	16	929884-0-00	27
900203-0-10	13	922775-0-00	35	925661-0-00	27	926534-0-00	26	927655-0-00	34	929425-2-01	16	929885-0-00	21-24-27
900204-0-10	13	922846-4-00	35	925750-0-00	33	926535-0-00	26	927885-0-00	21	929427-0-00	16	929891-0-00	24
900694-0-11	13	922910-4-02	32	925751-0-00	33	926536-0-00	26	928122-0-00	21-23	929430-4-00	28	929892-0-00	24
901097-2-00	34	922969-0-00	32	925752-4-00	33	926537-0-00	23-27	928154-0-00	3	929436-0-00	16	929893-0-00	21-24-27
901101-0-00	13	923009-4-00	30	925754-0-00	33	926538-0-00	27	928169-0-00	20	929437-0-00	16	929894-0-00	21-27
901102-0-00	13	923010-0-10	16	925756-0-00	33	926539-0-00	27	928218-0-00	21-23-24	929438-0-01	16	930611-0-00	26
901151-0-00	13	923409-0-00	21-24-27	925758-4-00	33	926541-0-00	27	928230-4-00	26	929439-0-01	16	931001-4-02	19-20
901152-0-00	13	923623-0-00	27	925761-0-01	33	926542-0-00	27	928429-0-00	20	929448-0-00	16	931011-4-02	19-22
902659-0-00	35	923706-0-00	21	925820-0-00	33	926544-0-01	27	928981-4-01	32	929507-4-00	35	931012-4-02	19-22
902660-0-00	22	923800-0-00	35	925849-0-00	31	926545-4-01	26-27	929127-0-00	15	929575-0-00	21-23-24	931058-4-00	19
902663-0-00	3-22-28	923918-0-01	31	925873-0-00	31	926546-0-00	26	929128-0-00	15	929577-0-00	27	931059-4-00	19
902664-0-00	35	923943-0-00	16-30	925874-0-00	31	926547-0-00	23	929129-0-00	35	929716-0-00	30	931116-0-00	23
902665-0-00	22-24	924233-0-00	35	925875-2-00	31	926548-0-00	23-24-27	929137-0-00	35	929717-0-00	30	931118-0-00	21
902668-0-00	3-22-24	924238-0-00	35	925876-2-00	31	926549-0-00	20-22	929182-4-01	30	929718-0-00	30	931121-0-00	21-23
	35	924239-4-00	35	925877-0-00	31	926574-0-00	26	929183-0-00	30	929719-0-00	30	931126-0-00	27
910440-0-00	20	924244-4-00	35	925878-0-00	31	926633-0-00	27	929184-4-00	30	929720-0-00	30	931127-0-00	21
920105-0-10	29	924245-4-00	35	925880-0-00	31	926634-0-00	27	929185-0-00	30	929725-0-00	30	931128-0-00	21-24
920133-0-10	29	924804-0-10	33	925883-2-00	31	926758-0-00	31	929186-0-00	30	929726-0-00	30	931129-0-00	21-23-24
920258-0-10	16-22-28	924806-0-10	33	925884-0-00	31	927054-0-00	23	929187-0-00	30	929727-0-00	30	931130-0-00	21-23-24
	35	924807-4-10	33	925889-0-00	31	927222-0-00	21	929188-0-00	30	929728-0-00	30	931132-0-00	23
920278-0-10	20	924851-0-10	35	925890-2-00	31	927223-0-00	23	929190-0-00	30	929729-2-00	30	931133-0-00	23
920472-4-00	28	924860-0-10	29	925891-4-00	31	927226-0-00	27	929191-0-00	30	929821-0-00	23	931137-0-00	21-23
920473-0-00	28	924863-0-10	29	925893-4-00	31	927228-0-00	21-23-24	929192-0-00	30	929822-0-00	21	931138-0-00	24
920474-0-00	28	924864-4-10	29	925913-2-00	35		27	929193-0-00	30	929823-0-00	20-21	931141-0-00	21-23-24
920485-2-10	28	924866-2-10	29	925952-0-00	27	927229-0-00	21-24	929194-0-00	30	929850-0-00	20-22-25	931149-0-00	23
920488-2-11	28	924868-0-10	29	925974-0-00	27	927230-0-00	24-27	929195-0-01	30	929851-0-00	19	931150-0-00	23
920490-0-10	28	924869-0-11	29	926251-4-00	26	927231-0-00	21-24	929196-0-00	30	929853-0-00	19-20	931152-0-00	21
920492-0-00	28	924870-0-10	29-32-35	926273-0-00	8	927381-0-00	21	929197-0-02	30	929854-0-00	20	931153-0-00	21-24
920663-0-00	28	925122-0-00	20	926303-0-00	32	927382-0-00	23-24	929198-0-01	30	929856-0-00	19	931157-0-00	23
921036-0-10	20	925196-0-00	35	926305-0-00	35	927385-0-00	21-23	929200-0-00	30	929857-0-00	25	931159-0-00	24-27
921047-0-10	17	925197-4-00	35	926409-0-01	30	927386-0-00	24-27	929210-0-00	30	929861-0-00	20-22	931161-0-00	23-24
921175-0-00	34	925198-4-00	35	926443-4-01	32	927387-0-00	23-24	929211-0-10	30	929864-0-01	20	931165-0-00	24
921176-0-00	34	925199-4-00	35	926504-0-00	27	927443-0-00	27	929213-0-00	35	929866-0-00	19	931190-0-00	21
921195-0-00	32	925236-0-10	35	926527-4-00	26	927446-0-00	27	929214-3-02	14	929867-0-00	19	931191-0-00	21-23
921919-0-00	16	925433-0-00	14	926528-4-00	26	927447-0-00	27	929218-0-00	15	929870-0-01	20	931192-0-00	23
922366-0-00	32	925563-0-00	33	926529-0-00	27	927468-0-00	21-27	929219-0-00	15	929879-0-00	21-23-24	931193-0-00	21-23
922370-2-00	32	925564-4-00	33	926530-4-00	26-27	927469-0-00	27	929239-0-00	32		27	931194-0-00	21
922373-0-00	32	925623-0-01	23	926531-0-00	26	927470-0-00	23	929245-3-02	15	929880-0-00	24	931195-0-00	23
922374-0-00	32	925625-0-00	24-27	926532-0-00	26	927475-0-00	21-23	929333-0-00	24	929881-0-00	24	931196-0-00	23

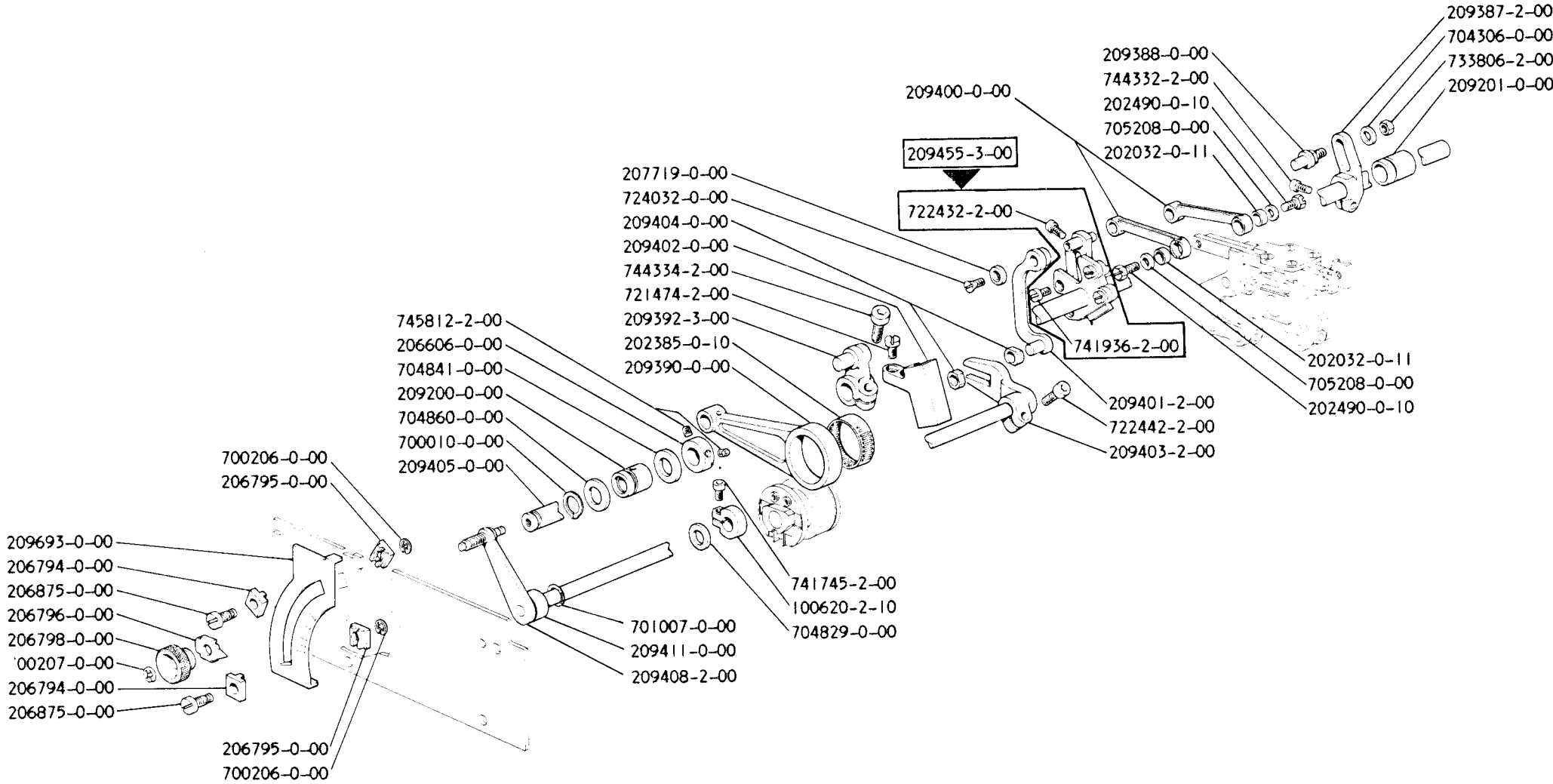


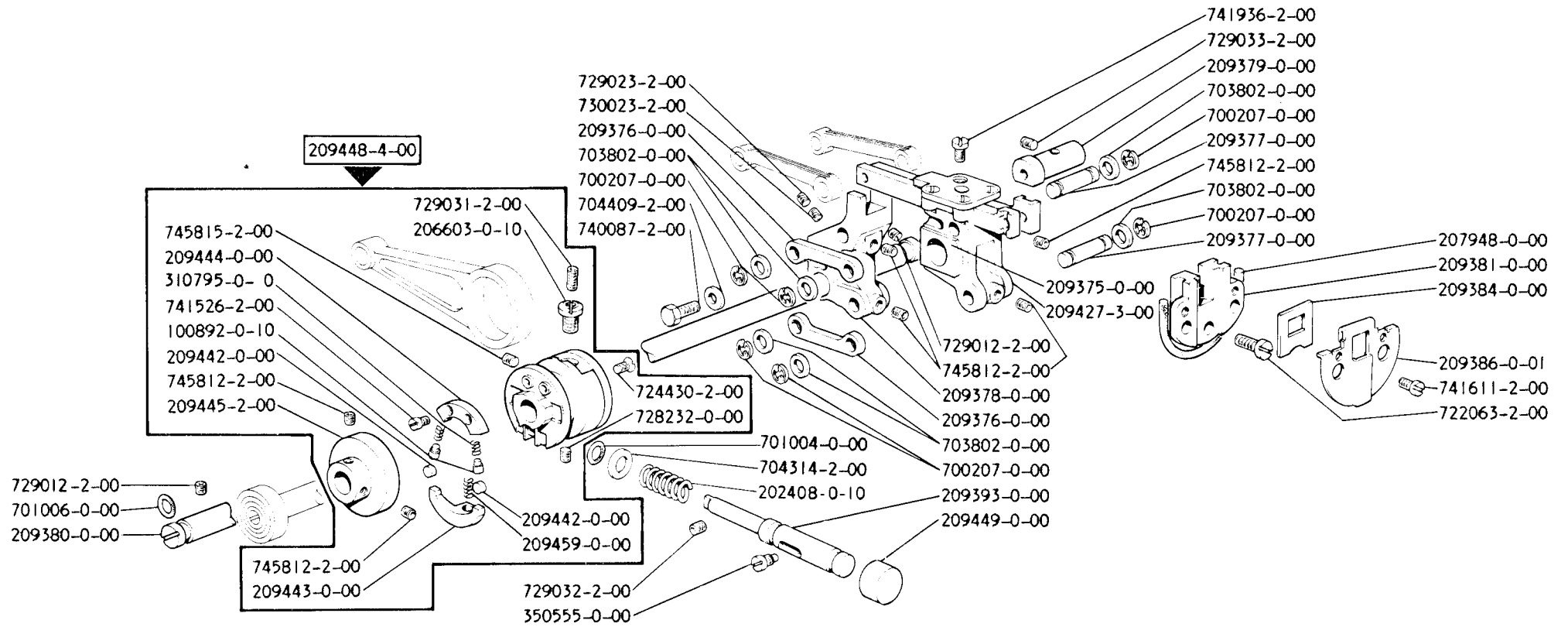


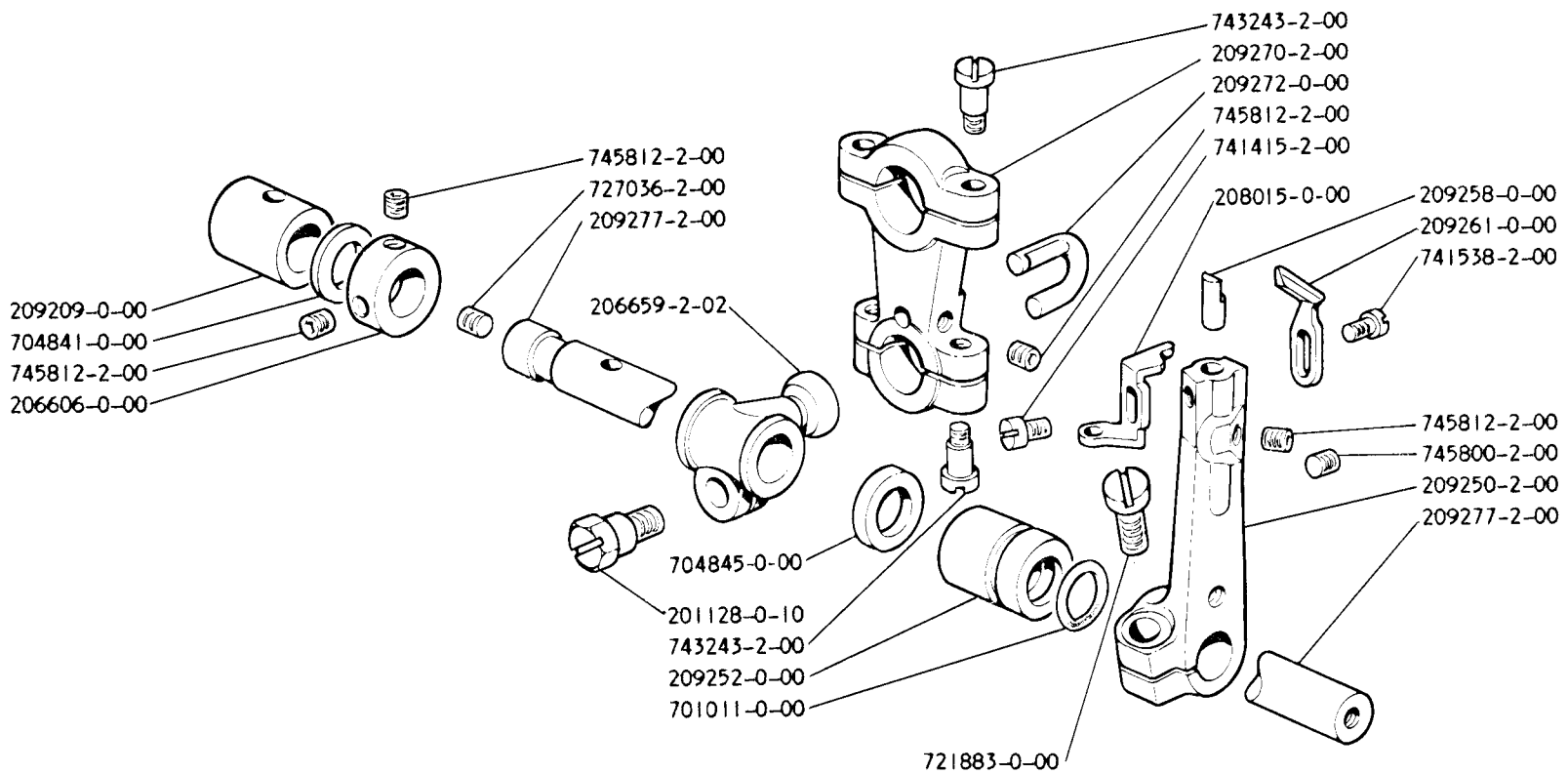


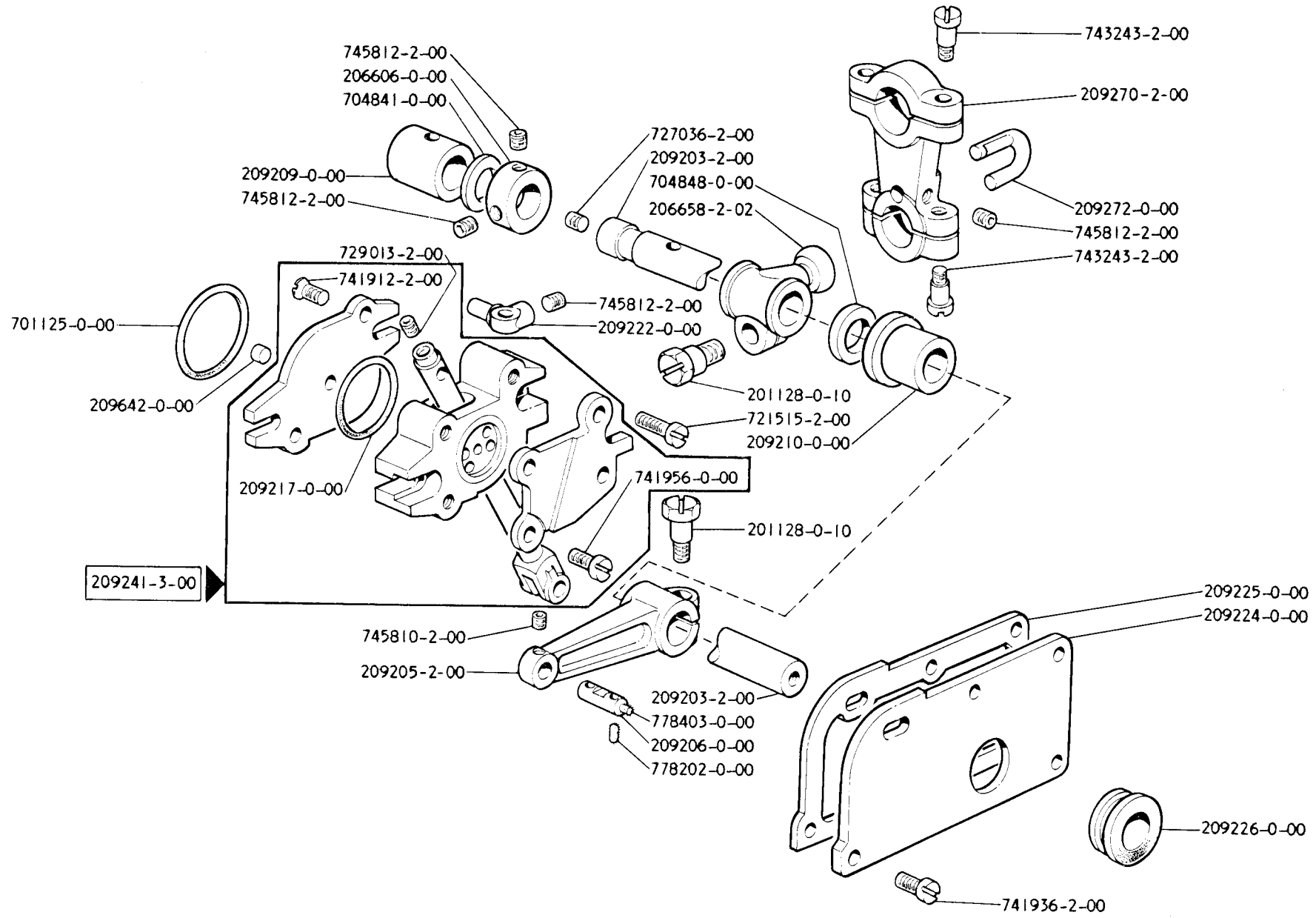


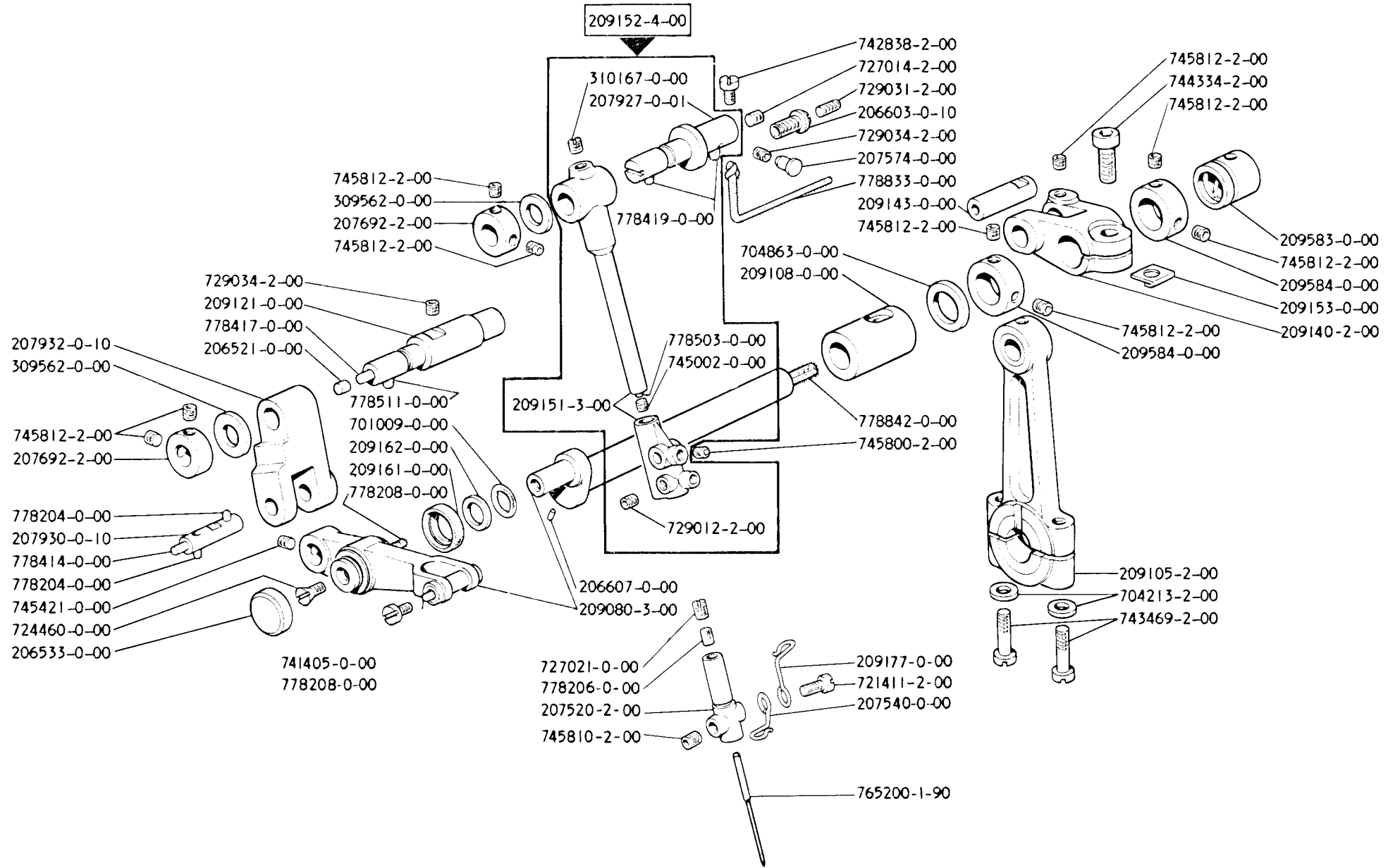


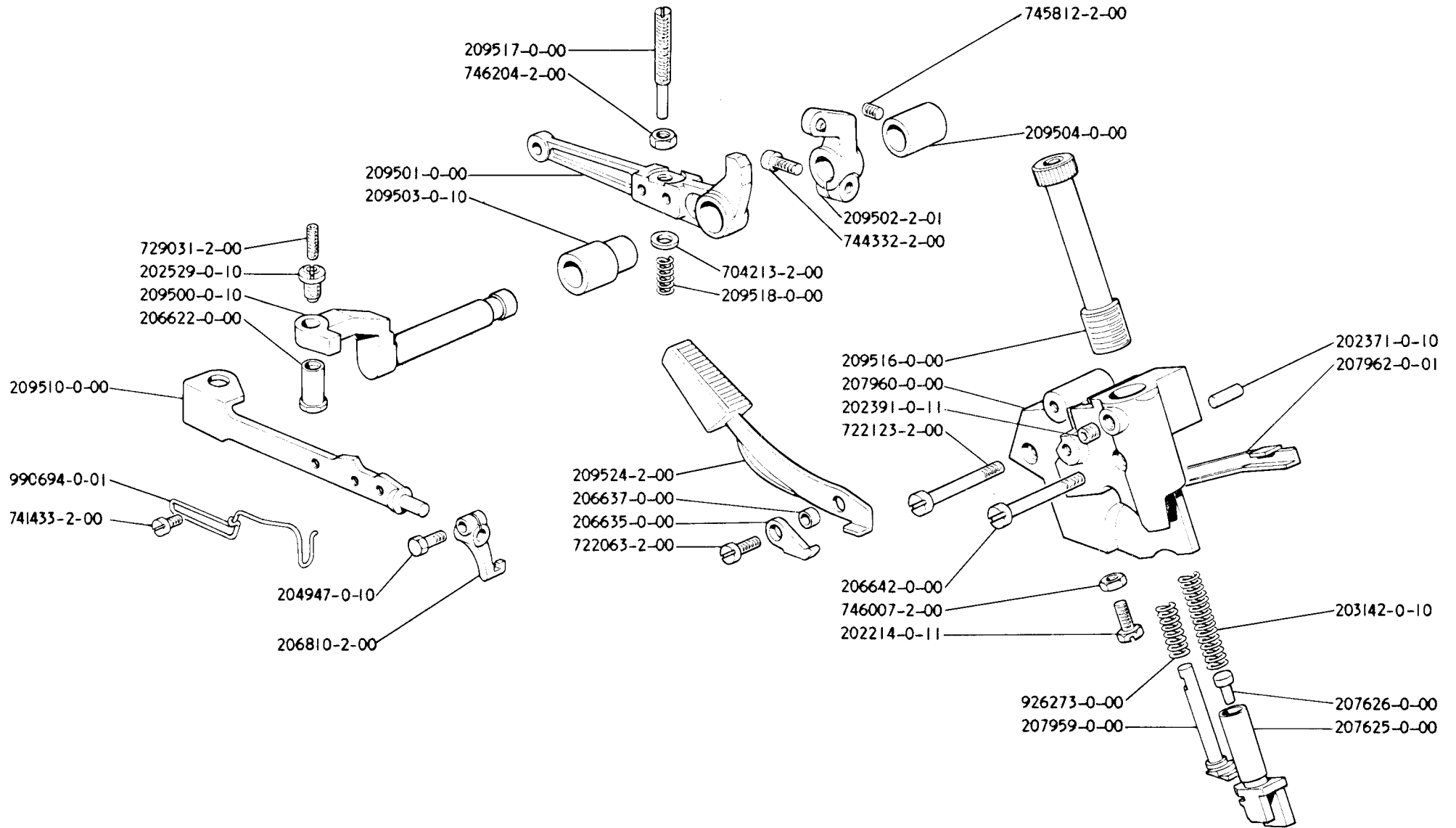








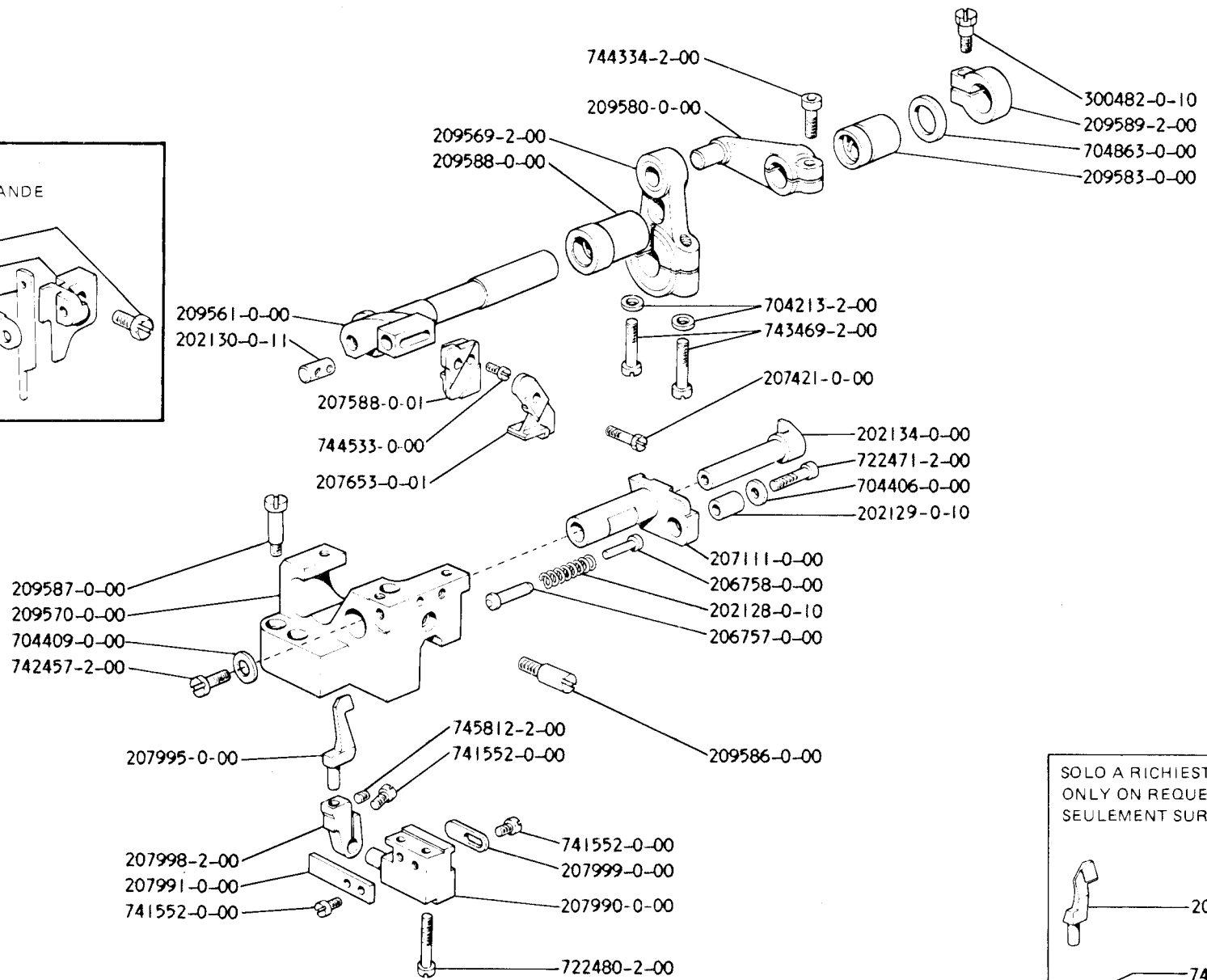






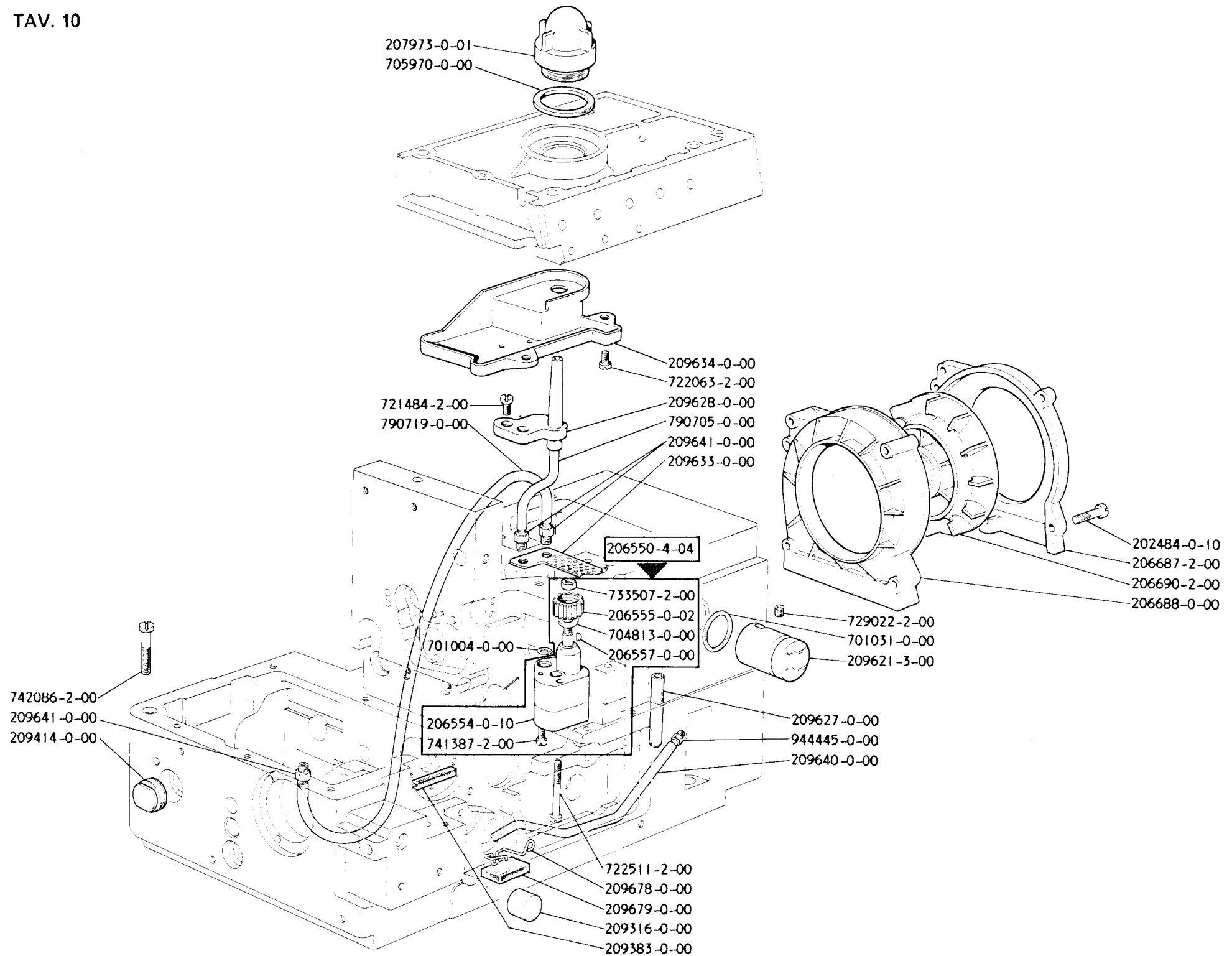
SOLO A RICHIESTA  
ONLY ON REQUEST  
SEULEMENT SUR DEMANDE

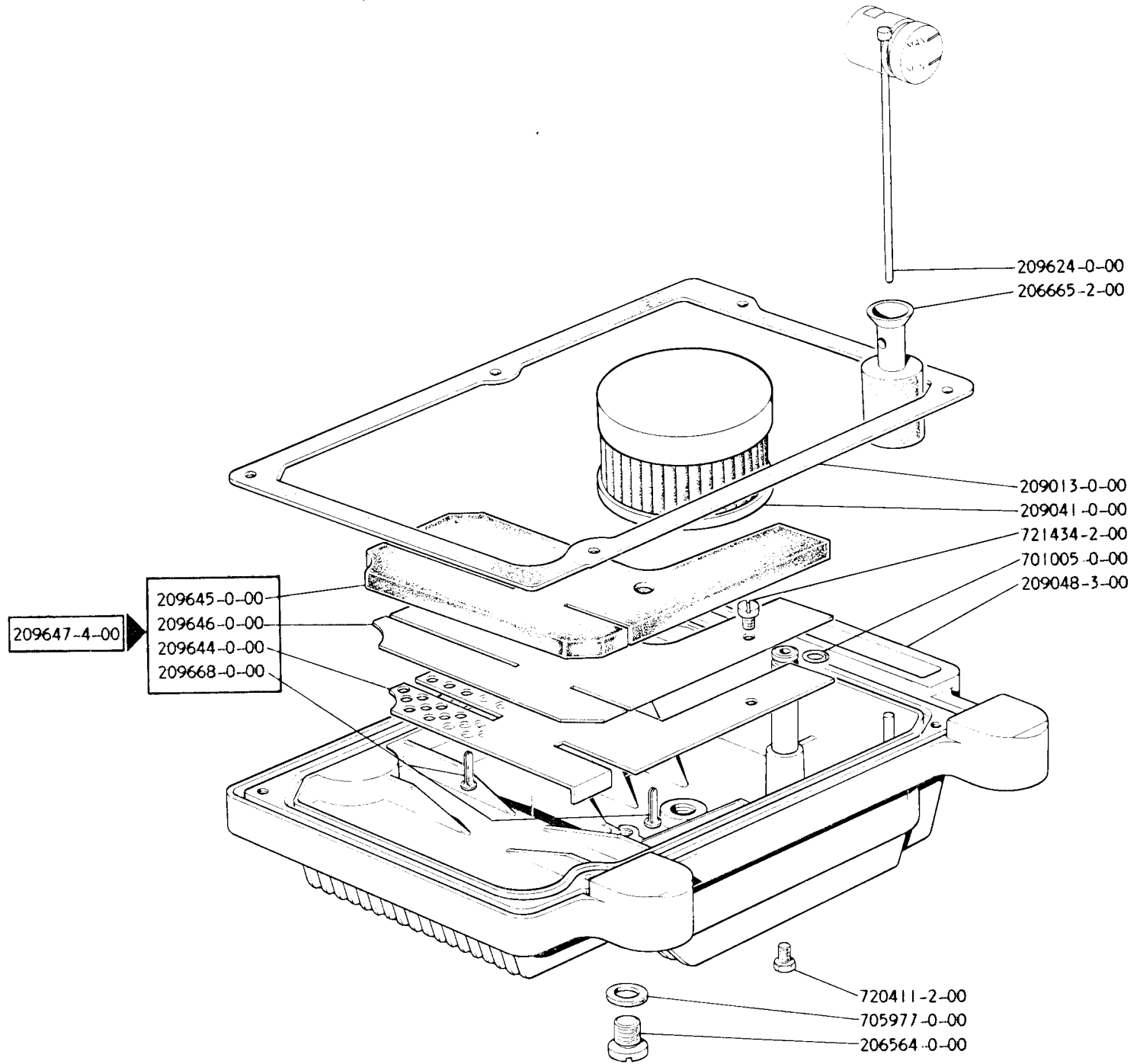
203525-0-11  
209590-0-00  
202629-0-10  
202620-0-10  
205191-0-10

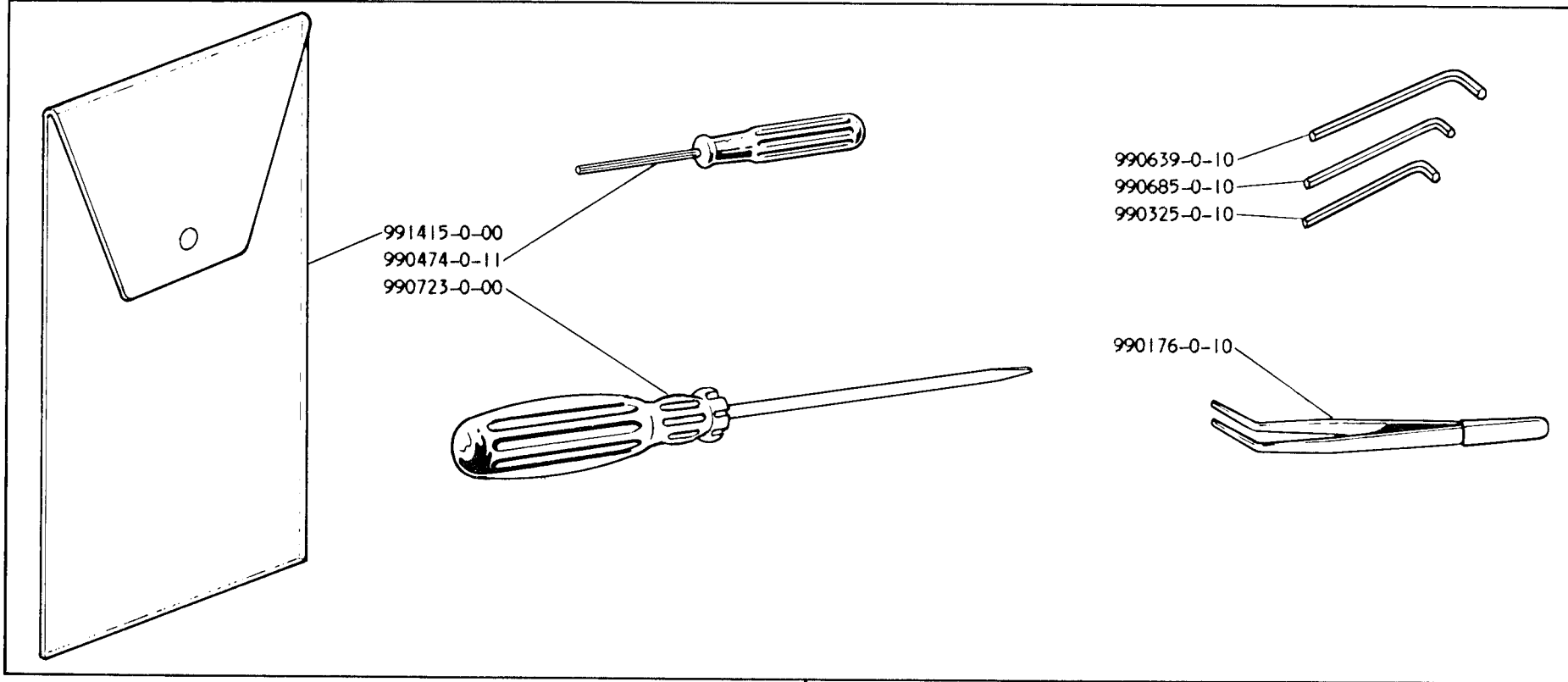


SOLO A RICHIESTA  
ONLY ON REQUEST  
SEULEMENT SUR DEMANDE

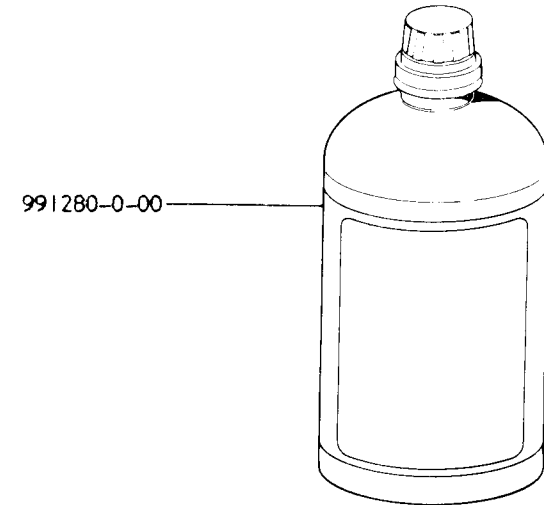
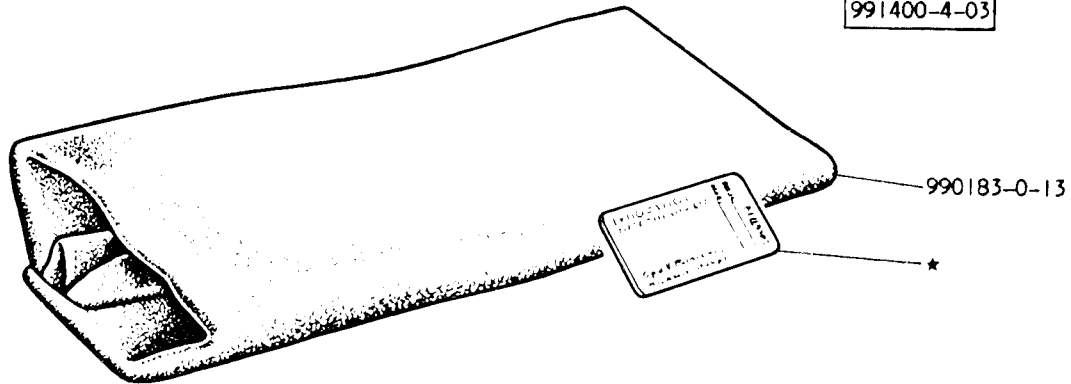
207992-0-01  
745812-2-00  
741552-0-00  
207998-2-00







991400-4-03

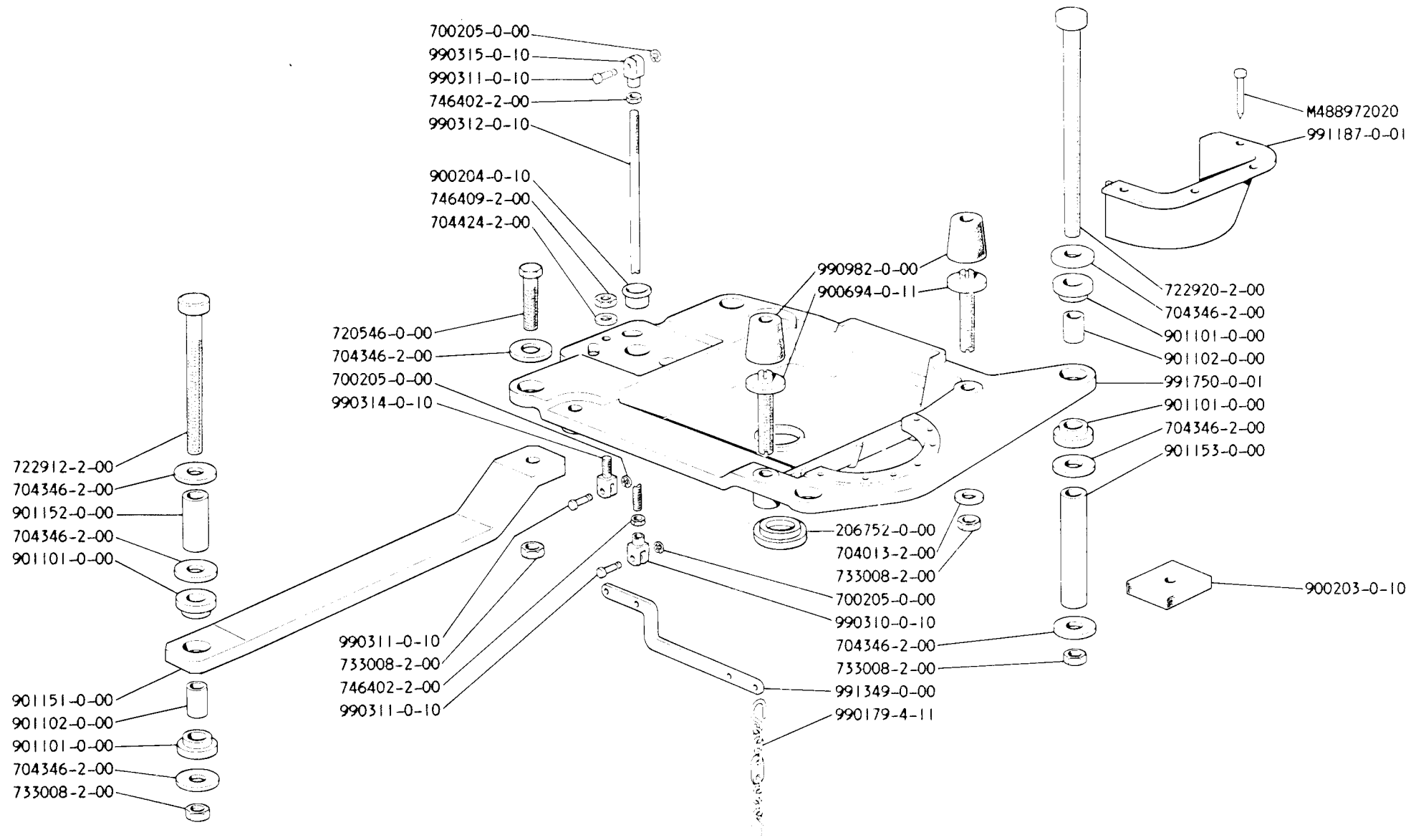


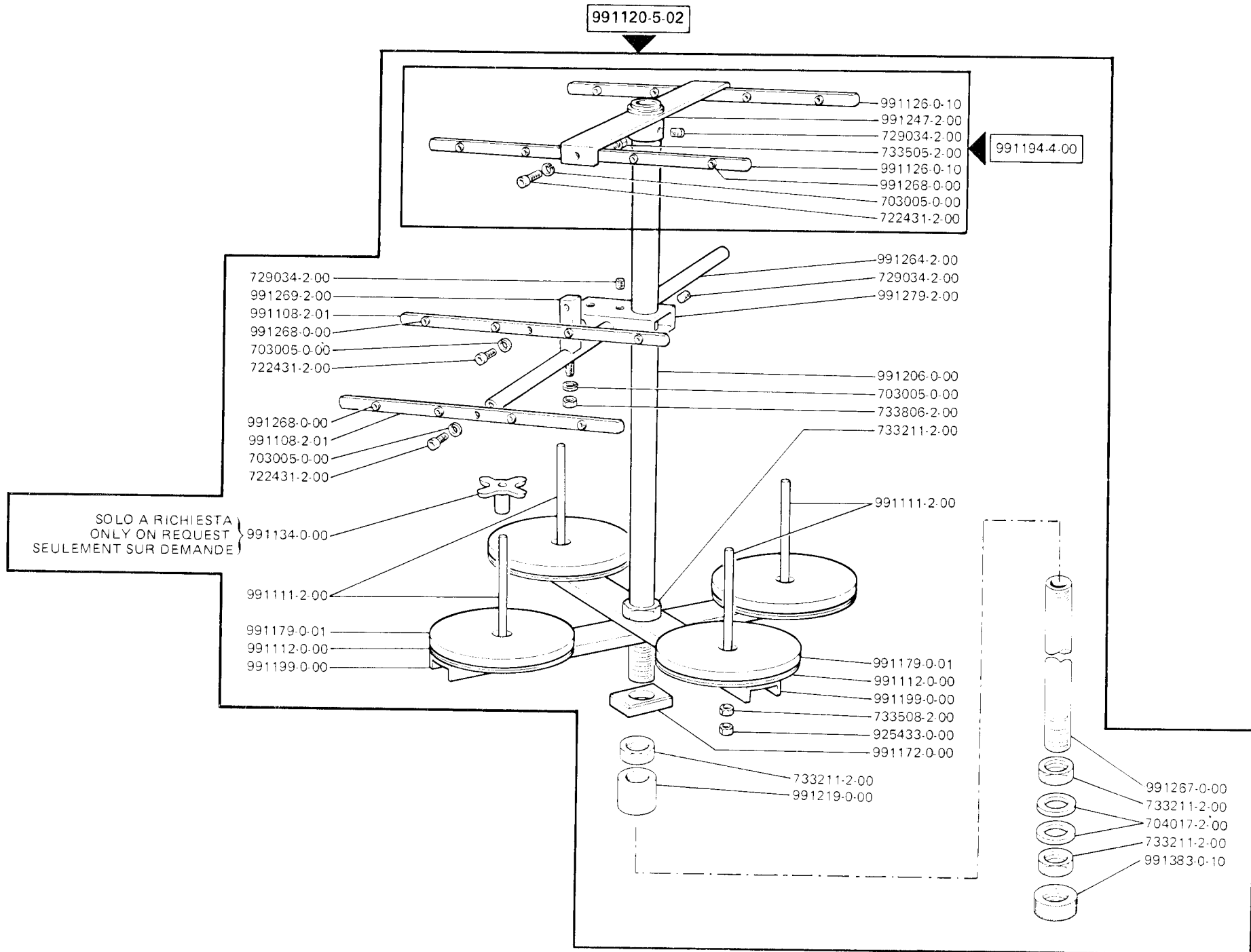
★ per l'ordinazione della bustina  
citare lo stesso simbolo dell'ago  
montato sulla testa

to order packet of needles  
please specify symbol of  
needle fitted on machine

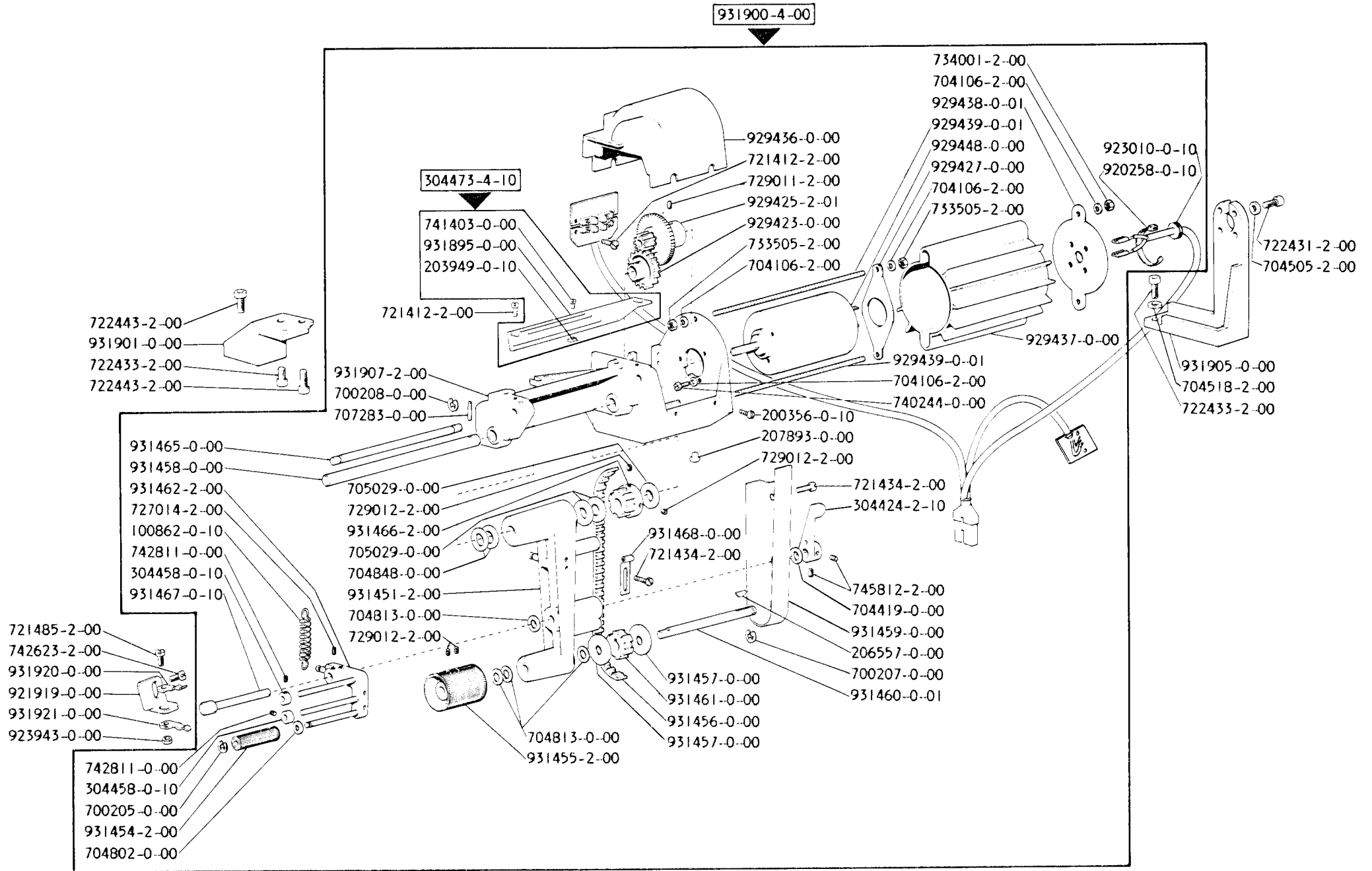
pour commander un sachet  
d'aiguille donner le symbol de  
l'aiguille montée sur la tête

PIAZZAMENTO NORMALE  
NORMAL SETTING  
PLACEMENT NORMAL

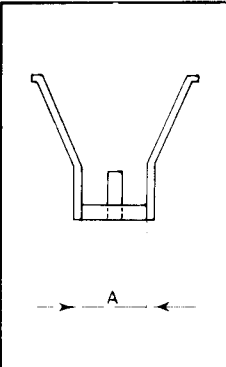




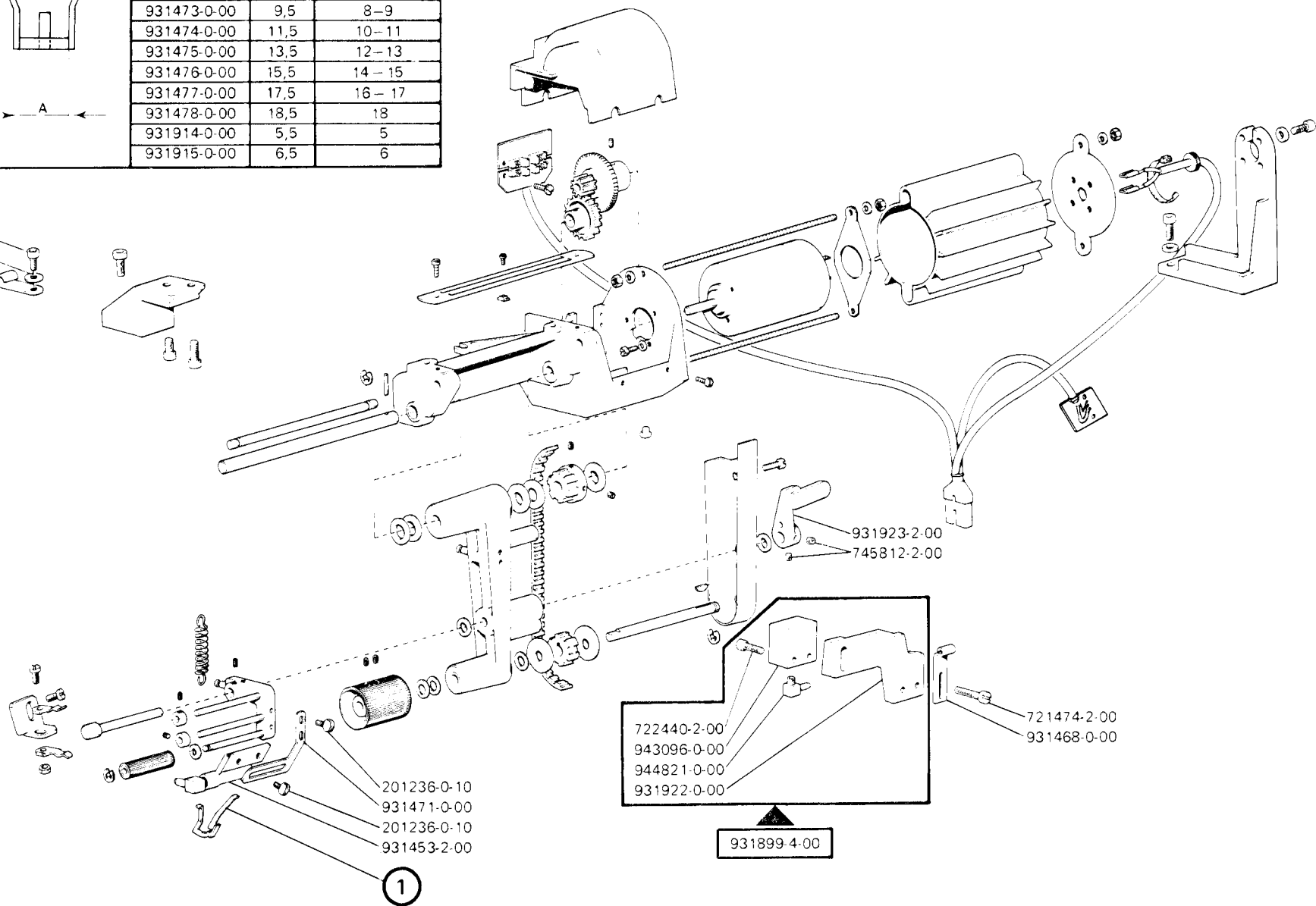
<p>929245-3-02</p> <p>929219-0-00 741685-2-00 203768-0-11 203772-0-11 202797-0-11 740210-2-00 704104-2-00 746002-2-00 929128-0-00 929127-0-00 741537-2-00 929218-0-00</p> <p>Applicazione di elastici. Larghezza elastico da 5 a 10 mm Application of elastics width of elastic from 5 to 10 mm Pour poser des elastiques de 5 a 10 mm</p>	<p>SOLO A RICHIESTA ONLY ON REQUEST SEULEMENT SUR DEMANDE</p> <p>929214-3-02</p> <p>929219-0-00 741685-2-00 203768-0-11 203772-0-11 202797-0-11 740210-2-00 704104-2-00 744553-0-00 746002-2-00 929128-0-00 929127-0-00 741537-2-00 929218-0-00</p> <p>Applicazione di elastici. Larghezza elastico da 10 a 20 mm Application of elastics width of elastic from 10 to 20 mm Pour poser des elastiques de 10 a 20 mm</p>	<p>744742-0-00</p> <p>203219-0-11 3,8</p>	<p>205951-0-00 1,5</p> <p>202489-0-10</p>
<p>202142-0-10</p>	<p>SOLO A RICHIESTA ONLY ON REQUEST SEULEMENT SUR DEMANDE</p> <p>202143-0-10</p>	<p>205952-0-01 1,5</p>	<p>202609-0-10</p> <p>202288-0-10</p>
<p>202146-0-10</p>	<p>SOLO A RICHIESTA ONLY ON REQUEST SEULEMENT SUR DEMANDE</p> <p>207015-2-00</p> <p>con placchetta in lega dura with hard alloyed plate avec plaquette en alliage dur</p>	<p>SOLO A RICHIESTA ONLY ON REQUEST SEULEMENT SUR DEMANDE</p> <p>207000-2-00</p> <p>con placchetta in lega dura with hard alloyed plate avec plaquette en alliage dur</p>	<p>SOLO A RICHIESTA ONLY ON REQUEST SEULEMENT SUR DEMANDE</p> <p>207008-2-00</p> <p>con placchetta in lega dura with hard alloyed plate avec plaquette en alliage dur</p>
		<p>209264-0-00</p> <p>0,7</p>	<p>209248-0-00</p> <p>0,9</p>





	①	A	STRISCIA BAND BANDE
	931472-0-00	7,5	7
931473-0-00	9,5	8-9	
931474-0-00	11,5	10-11	
931475-0-00	13,5	12-13	
931476-0-00	15,5	14-15	
931477-0-00	17,5	16-17	
931478-0-00	18,5	18	
931914-0-00	5,5	5	
931915-0-00	6,5	6	

722413-2-00  
704109-2-00  
921047-0-10

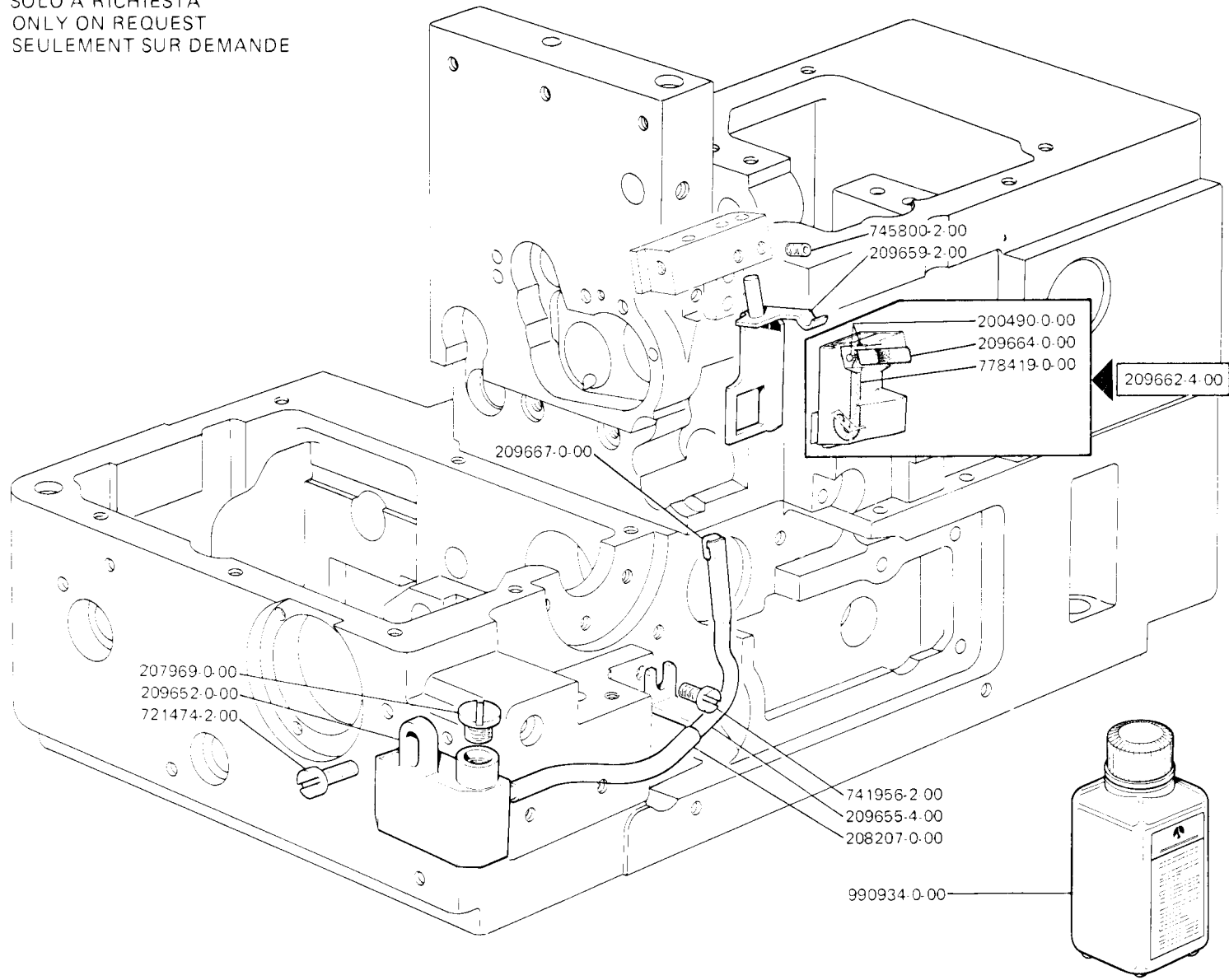


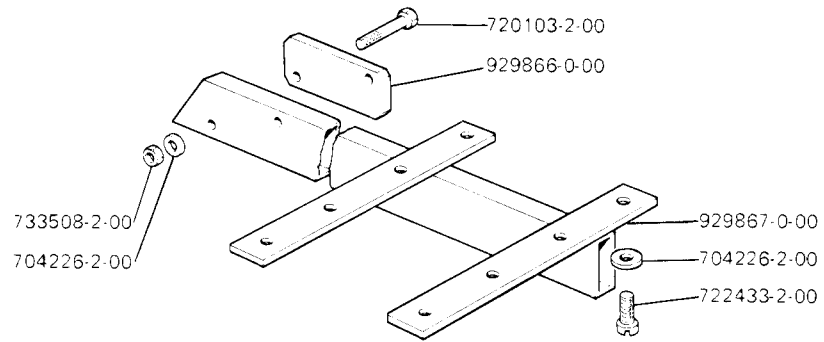
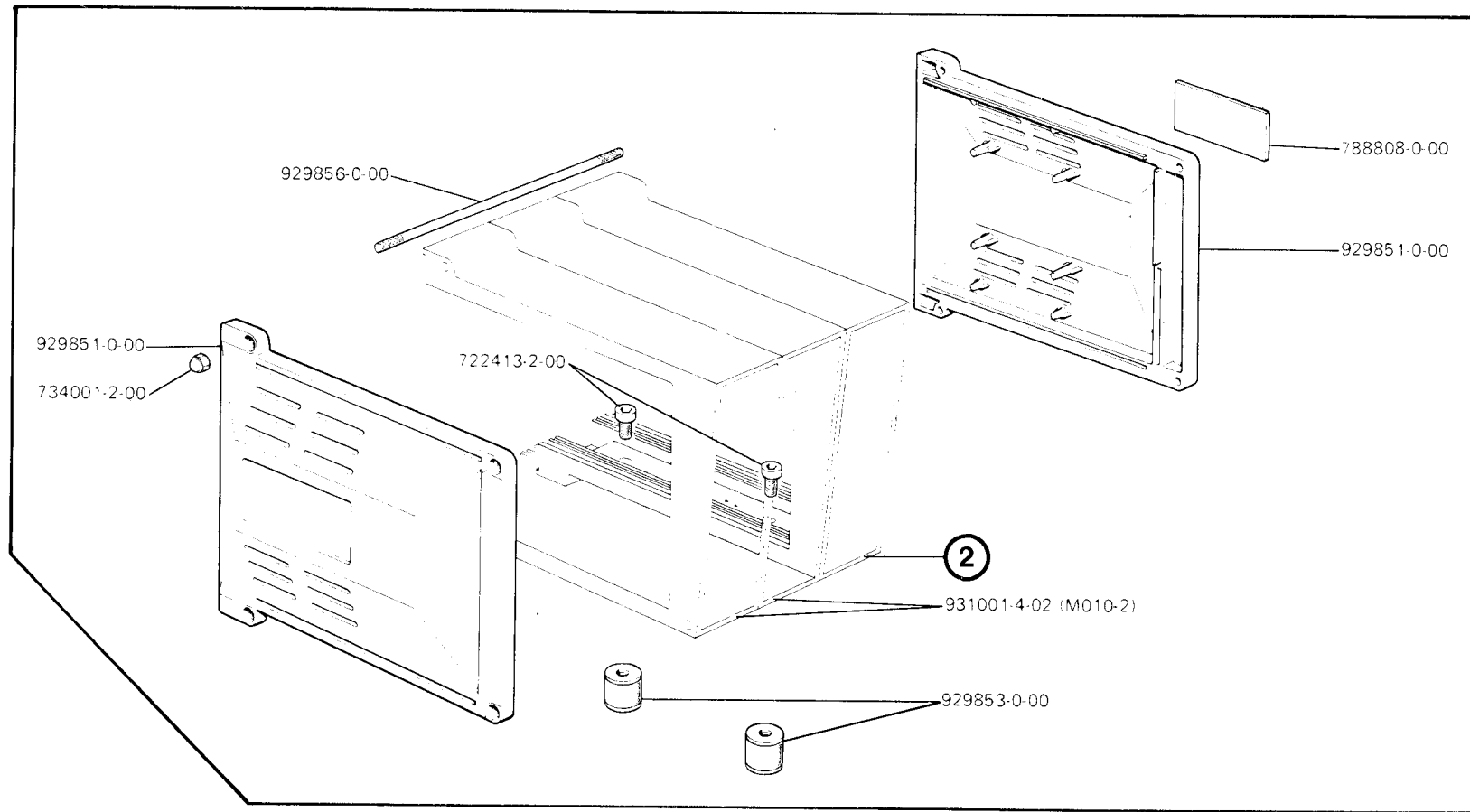
722440-2-00  
943096-0-00  
944821-0-00  
931922-0-00

931899-4-00

①

SOLO A RICHIESTA  
ONLY ON REQUEST  
SEULEMENT SUR DEMANDE



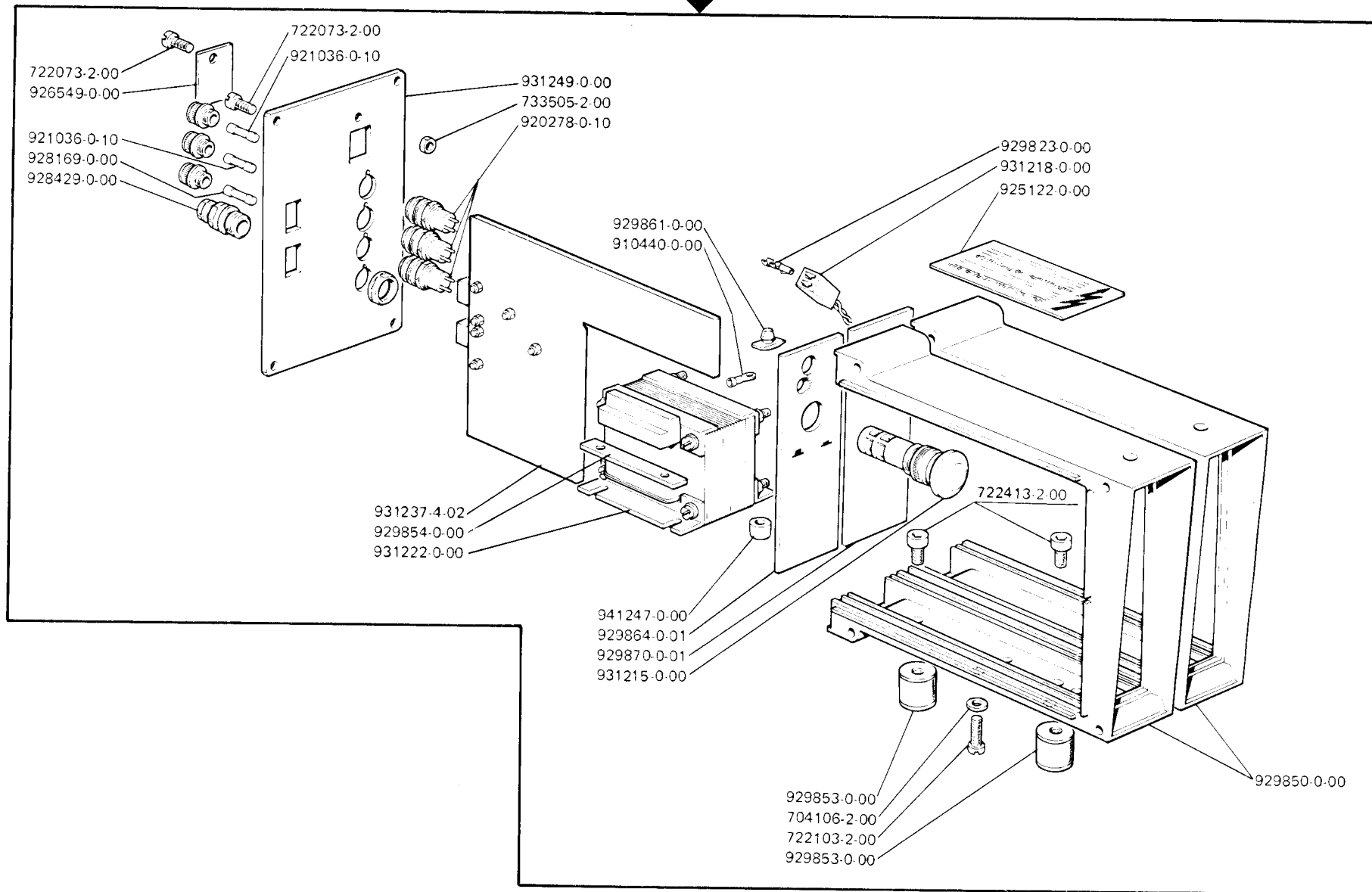


	<b>1</b>	<b>2</b>
627-34-1KD-12	931058.4.00	931011.4.02 (M011-2)
627-34-1KD-12/351 FB	931059.4.00	931012.4.02 (M011-2+M012-1)

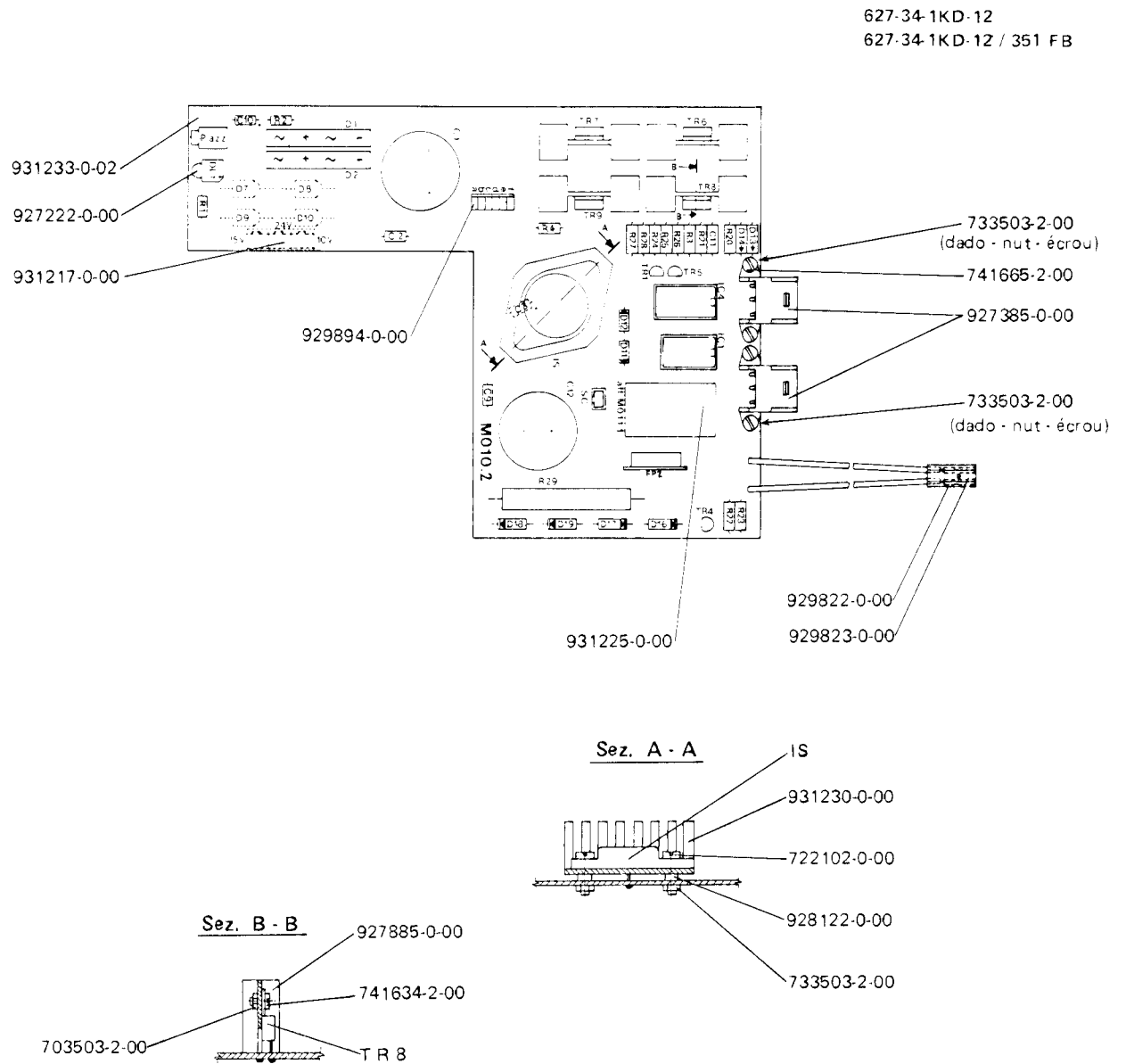
627-34-1KD-12

627-34-1KD-12 / 351 FB

931001-4-02 (M010-2)

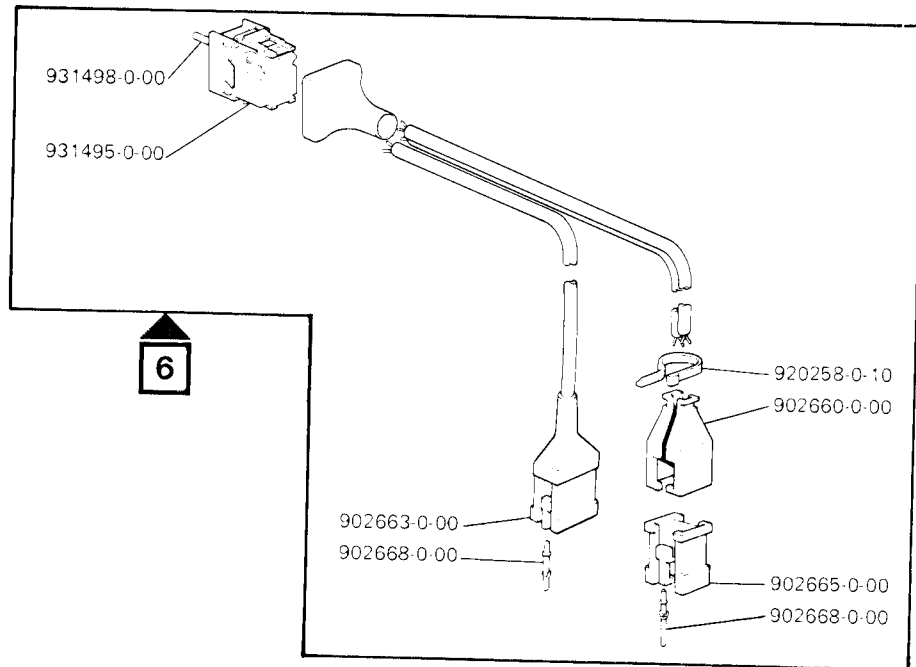
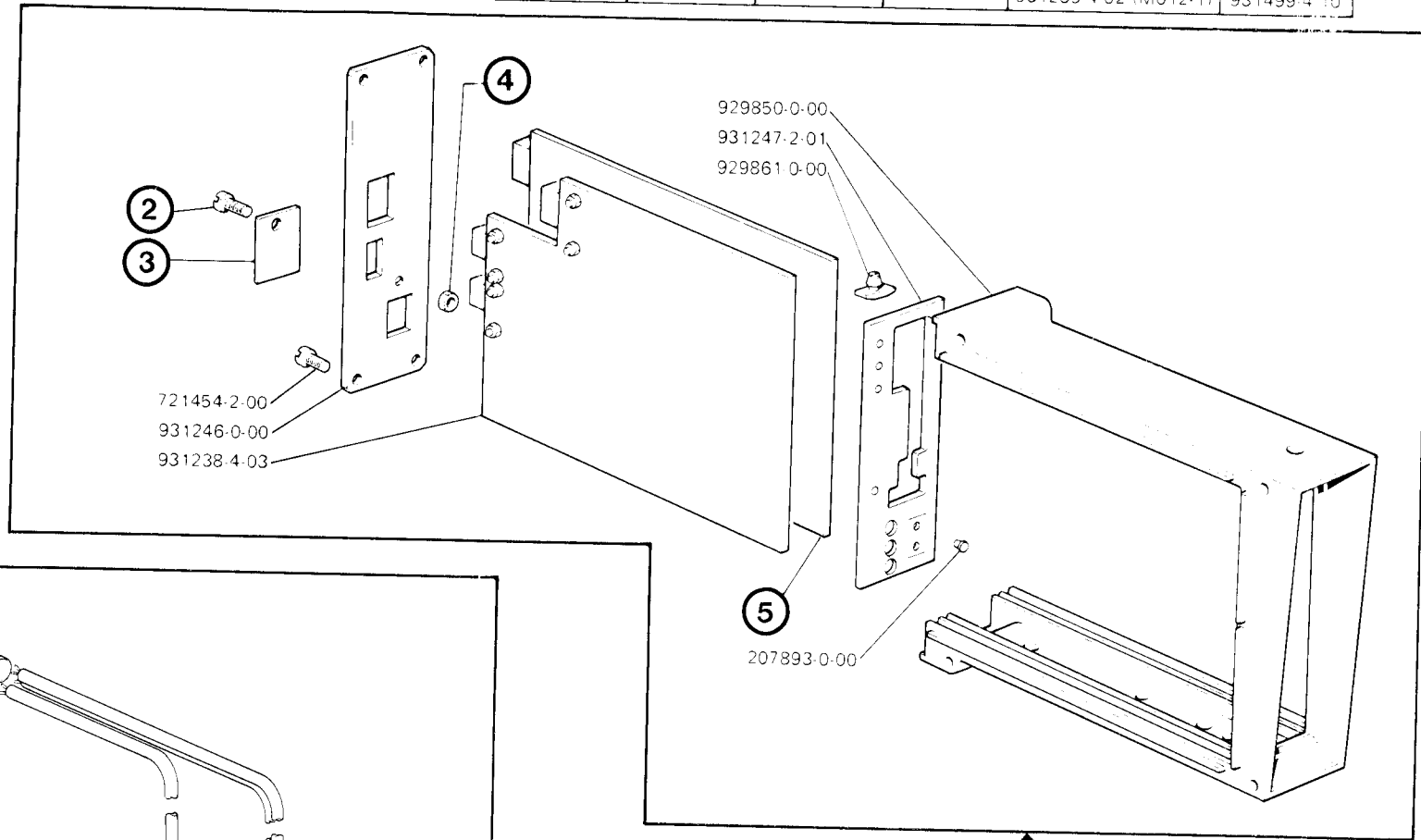


Part./Piece N.	SIMBOLO - SYMBOL	Zoccolo/Base N.
931121-0-00	R1-R2	
931153-0-00	R21	
931129-0-00	R26	
931141-0-00	R3-R20	
931130-0-00	R27-R28	
931127-0-00	R24	
931128-0-00	R23	
931190-0-00	R29	
931539-0-00	C1	
929879-0-00	C2-C9	
931191-0-00	C3-C10	
931193-0-00	C12	
927381-0-00	C11	
929575-0-00	TR5	
929885-0-00	TR1	
931198-0-00	TR6-TR8	
927231-0-00	TR7-TR9	
941399-0-00	D1-D2	
931194-0-00	D7-D8-D9-D10	
923409-0-00	D11-D12-D13-D14	
923706-0-00	D16-D17-D18-D19	
929893-0-00	IC1	927228-0-00
927229-0-00	IC4	928218-0-00
931199-0-00	IS	
927468-0-00	DL1	
931219-0-00	SC	
927475-0-00	P. azz.	
929575-0-00	TR4	
931242-4-00	FP2	
931137-0-00	R22	
931118-0-00	R25	
931152-0-00	R4	

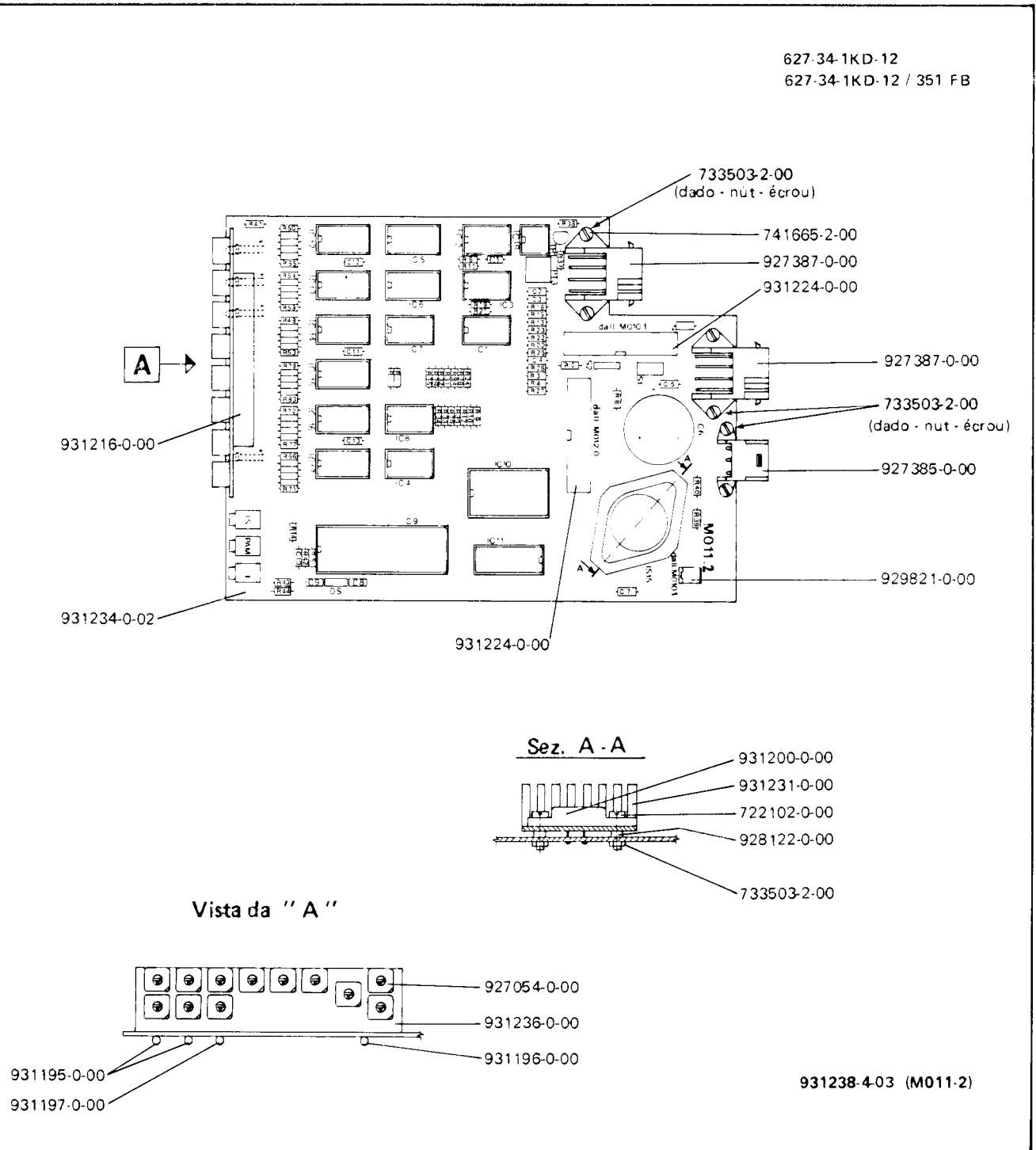


931237-4-02 (M010-2)

	1		2	3	4	5	6
627-34-1KD-12	931011-4-02 (M011-2)	722073-2-00	926549-0-00	733505-2-00			
627-34-1KD-12 / 351 FB	931012-4-02 (M011-2+M012-1)					931239-4-02 (M012-1)	931499-4-10



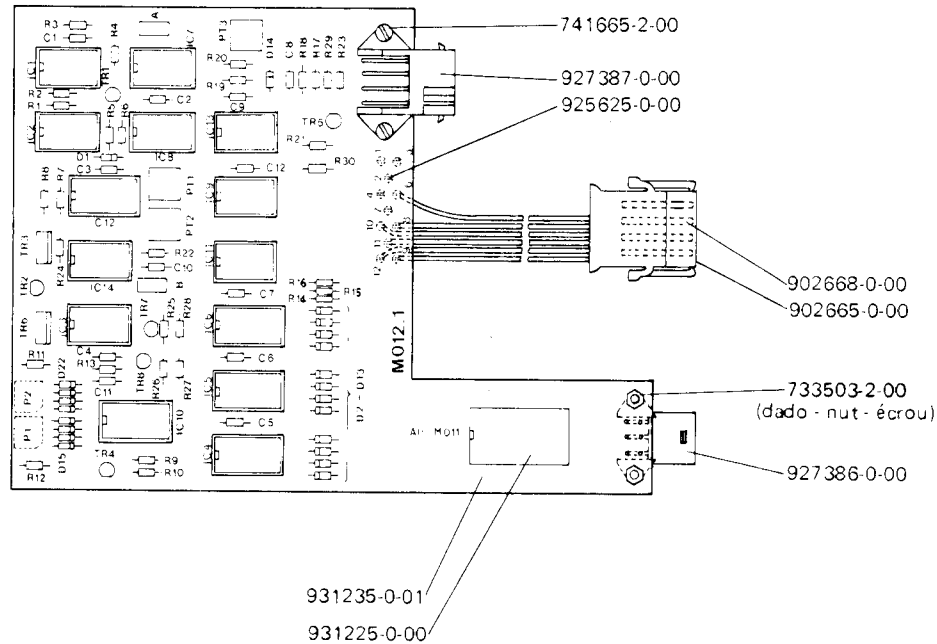
Part./Piece N.	SIMBOLD -- SYMBOL	Zoccolo/Base N.
931211-0-00	OS	
931129-0-00	R2-R5-R8-R11-R15-R20-R21-R23-R25-R38-R84	
931141-0-00	R3-R9-R26-R27-R39	
931150-0-00	R4-R10	
931116-0-00	R6	
931121-0-00	R12-R47	
931133-0-00	R13-R14-R24-R30-R34-R37-R41-R43-R45-R48-R83	
931132-0-00	R16	
931149-0-00	R19-R42	
931161-0-00	R28	
931130-0-00	R29-R31-R32-R33-R35-R36	
931137-0-00	R40	
927223-0-00	C1	
927382-0-00	C2	
929879-0-00	C3-C4-C7-C11-C12-C13	
931191-0-00	C5-C14	
931193-0-00	C6	
931192-0-00	C8-C9	
931209-0-00	C10	
925623-0-01	PT3	
929575-0-00	TR1	
931202-0-00	IC1	927228-0-00
931205-0-00	IC2	927228-0-00
931204-0-00	IC3-IC7-IC8	927228-0-00
931203-0-00	IC4	927228-0-00
931206-0-00	IC5-IC6	928218-0-00
931210-0-00	IC9	931214-0-00
931504-0-00	IC10	931213-0-00
931208-0-00	IC11	931212-0-00
931207-0-00	IC12-IC17	928218-0-00
931201-0-00	IC18	927470-0-00
926537-0-00	I - IS	
927475-0-00	P A M	
931157-0-00	R22	
926548-0-00	S1	
926547-0-00	S2	



TAV. 24

Part./Piece N.	SIMBOLO - SYMBOL	Zoccolo/Base N.
927230-0-00	IC1-IC2-IC3-IC14	927228-0-00
931232-0-00	IC4-IC5-IC6	928218-0-00
929891-0-00	IC7-IC11	927228-0-00
929333-0-00	IC8-IC9	927228-0-00
927229-0-00	IC10	928218-0-00
929892-0-00	IC12	928218-0-00
931129-0-00	R1-R21-R25-R29	
931141-0-00	R2-R9-R11-R12-R14-R17-R23-R30	
931153-0-00	R3-R13	
931130-0-00	R4-R6-R7-R20	
931161-0-00	R5	
931138-0-00	R8-R24	
931128-0-00	R10	
931165-0-00	R18-R22	
931159-0-00	R19	
929880-0-00	PT1-PT3	
929881-0-00	PT2	
927382-0-00	C1-C4-C8	
929879-0-00	C2-C5-C6-C7-C11-C12	
931209-0-00	C3-C9	
923409-0-00	D1-D22	
929575-0-00	TR1-TR2-TR4-TR5-TR8	
927231-0-00	TR3-TR6	
929885-0-00	TR7	
926548-0-00	A - B	
931594-0-00	P1-P2	
929893-0-00	IC 13	927228-0-00
931942-0-00	C 10	

627-34-1KD-12 / 351 FB

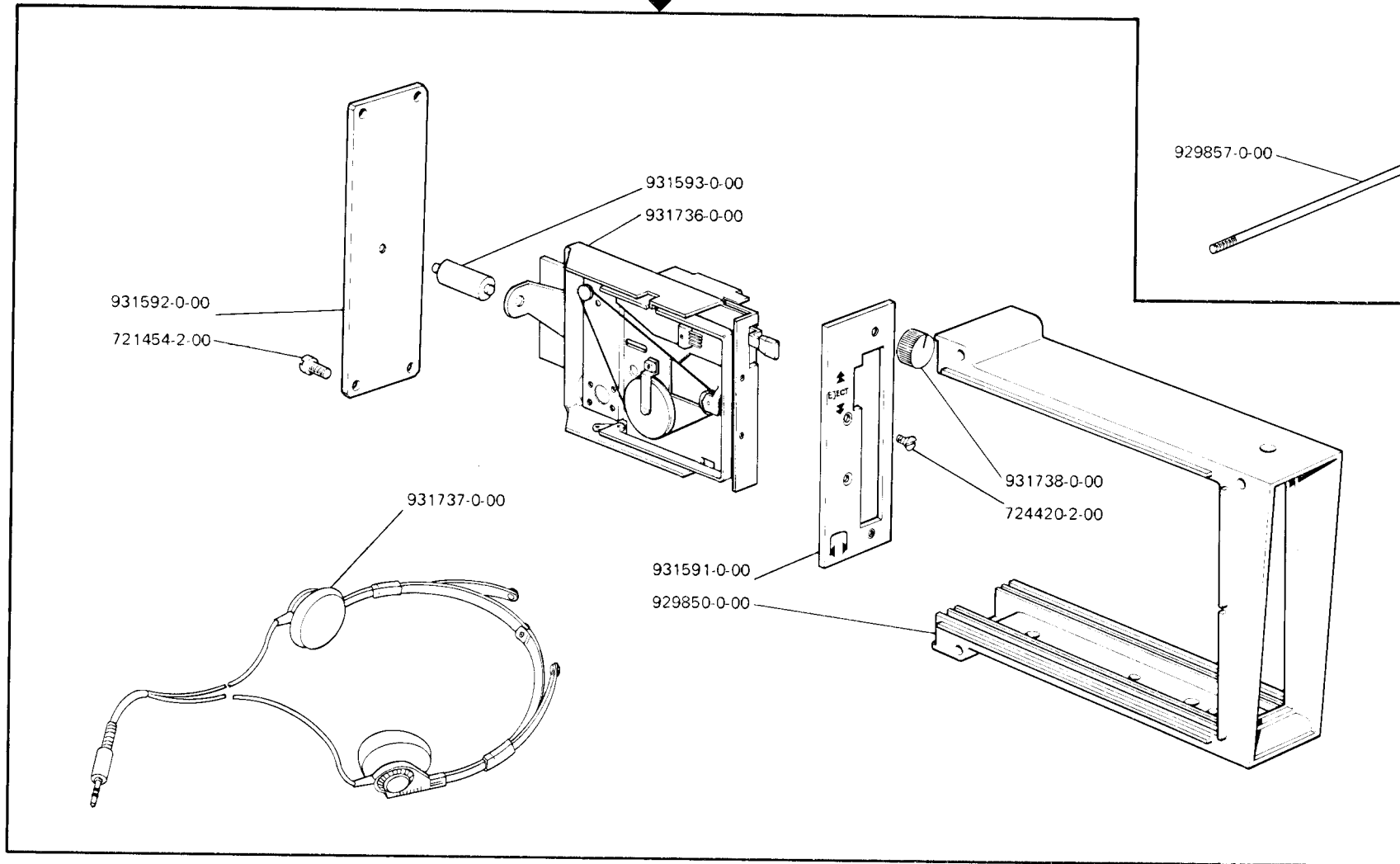


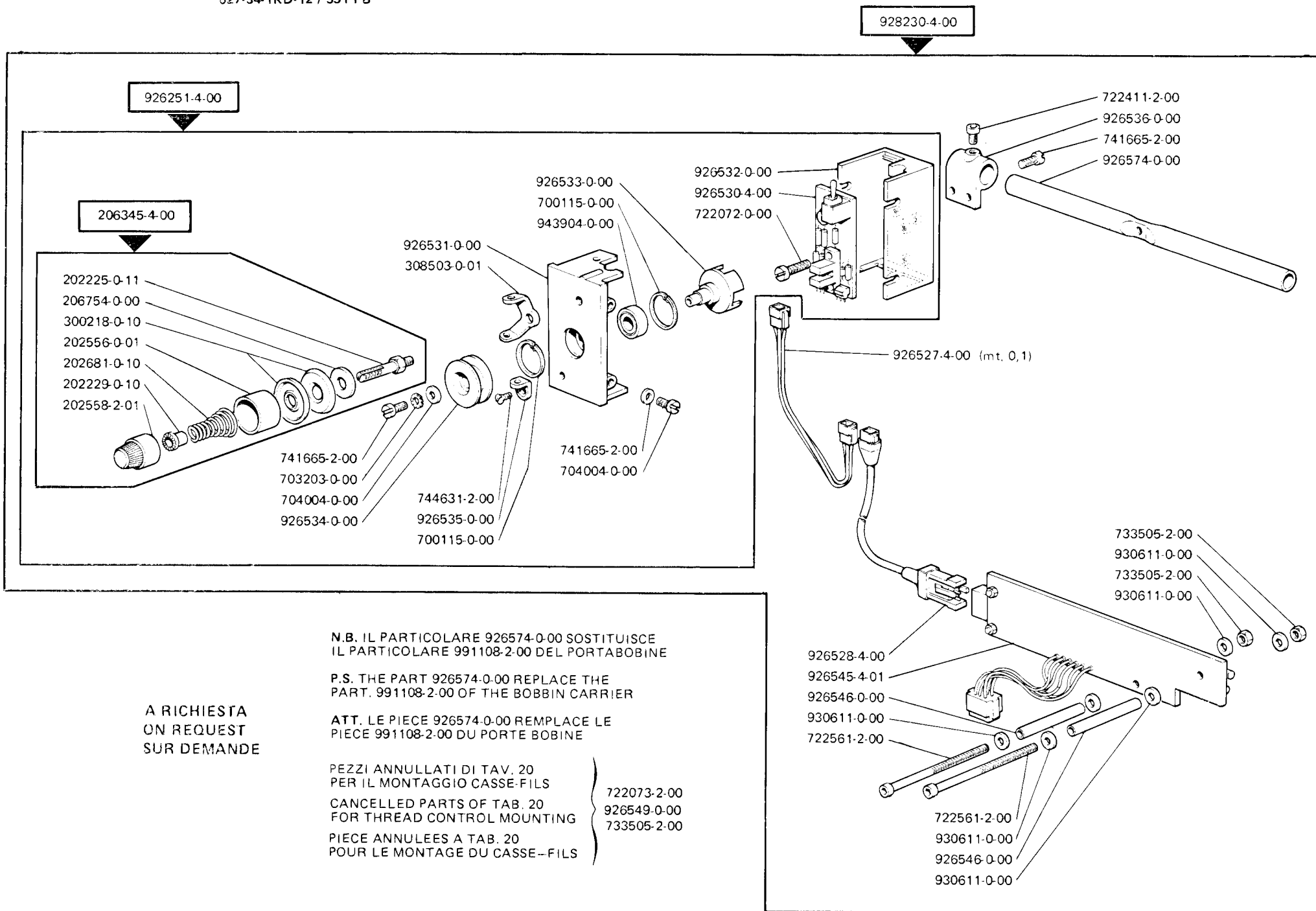
931239-4-02 ( M012-1 )



A RICHIESTA  
ON REQUEST  
SUR DEMANDE

931580-4-00





N.B. IL PARTICOLARE 926574-0-00 SOSTITUISCE IL PARTICOLARE 991108-2-00 DEL PORTABOBINE

P.S. THE PART 926574-0-00 REPLACE THE PART. 991108-2-00 OF THE BOBBIN CARRIER

ATT. LE PIECE 926574-0-00 REMPLACE LE PIECE 991108-2-00 DU PORTE BOBINE

A RICHIESTA  
ON REQUEST  
SUR DEMANDE

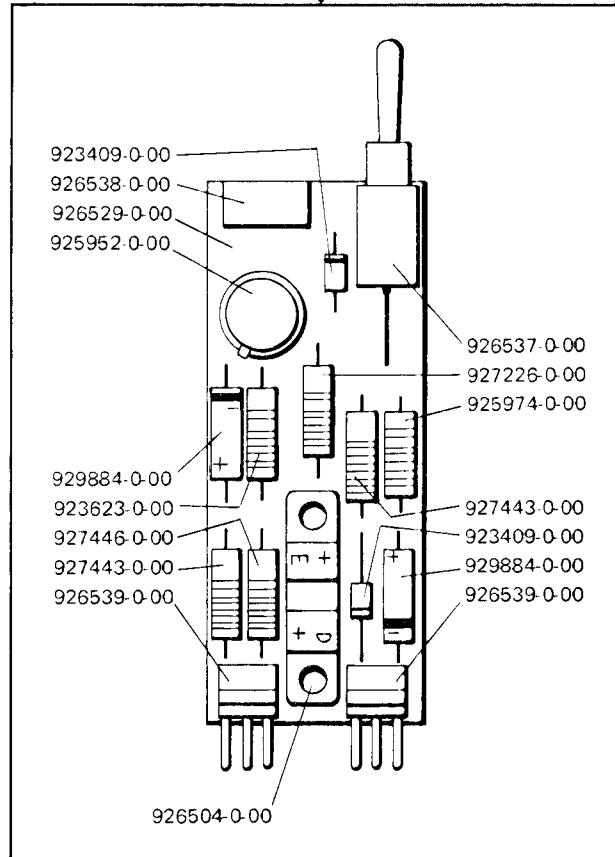
PEZZI ANNULLATI DI TAV. 20 PER IL MONTAGGIO CASSE-FILS	}	722073-2-00
CANCELLED PARTS OF TAB. 20 FOR THREAD CONTROL MOUNTING		926549-0-00
PIECE ANNULEES A TAB. 20 POUR LE MONTAGE DU CASSE-FILS		733505-2-00

A RICHIESTA  
ON REQUEST  
SUR DEMANDE

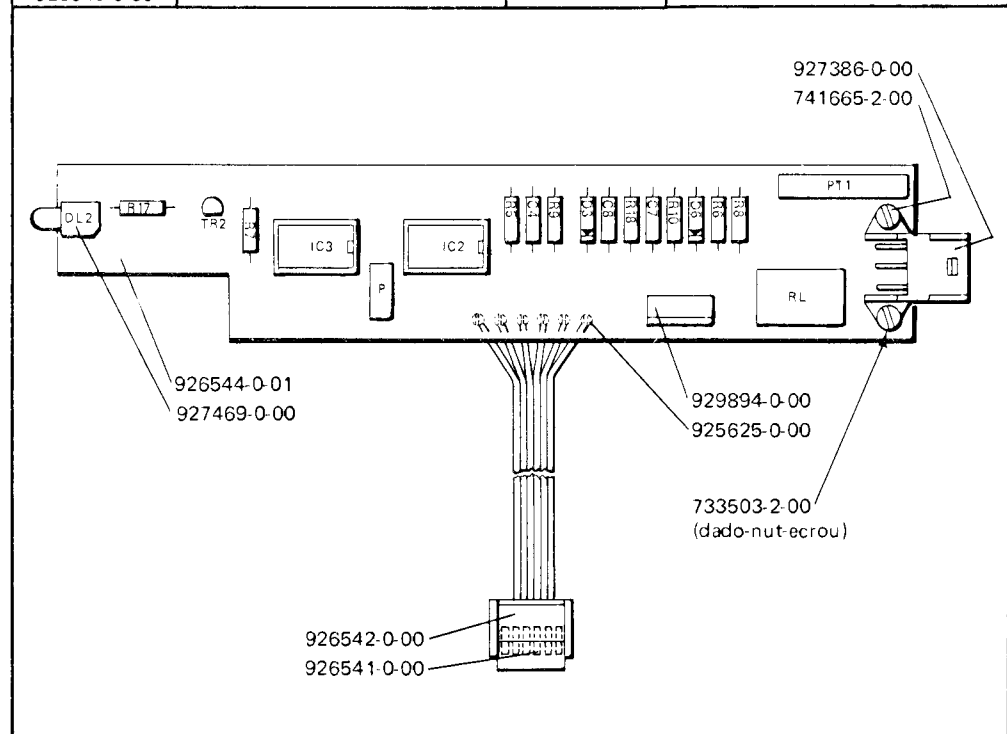
926545-4-01 (M004-1)

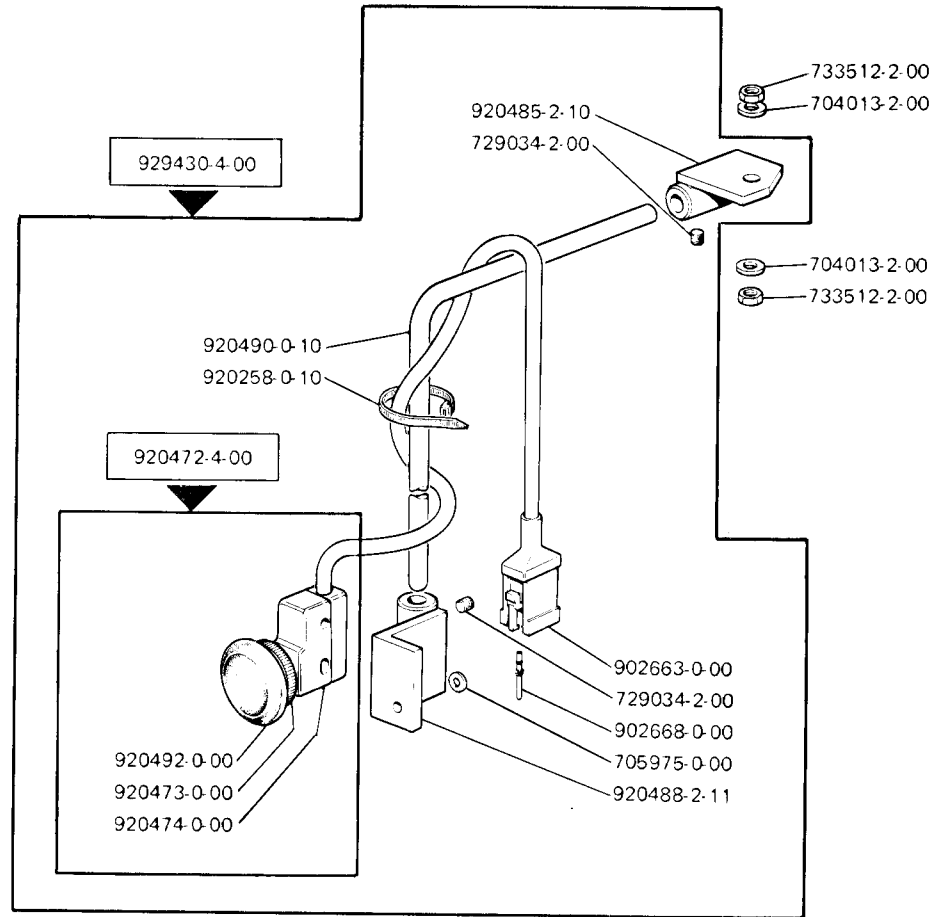
627-34-1KD-12 / 351 FB

926530-4-00 (SF1)

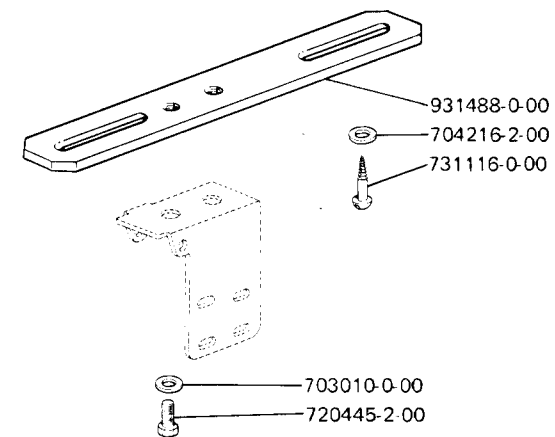
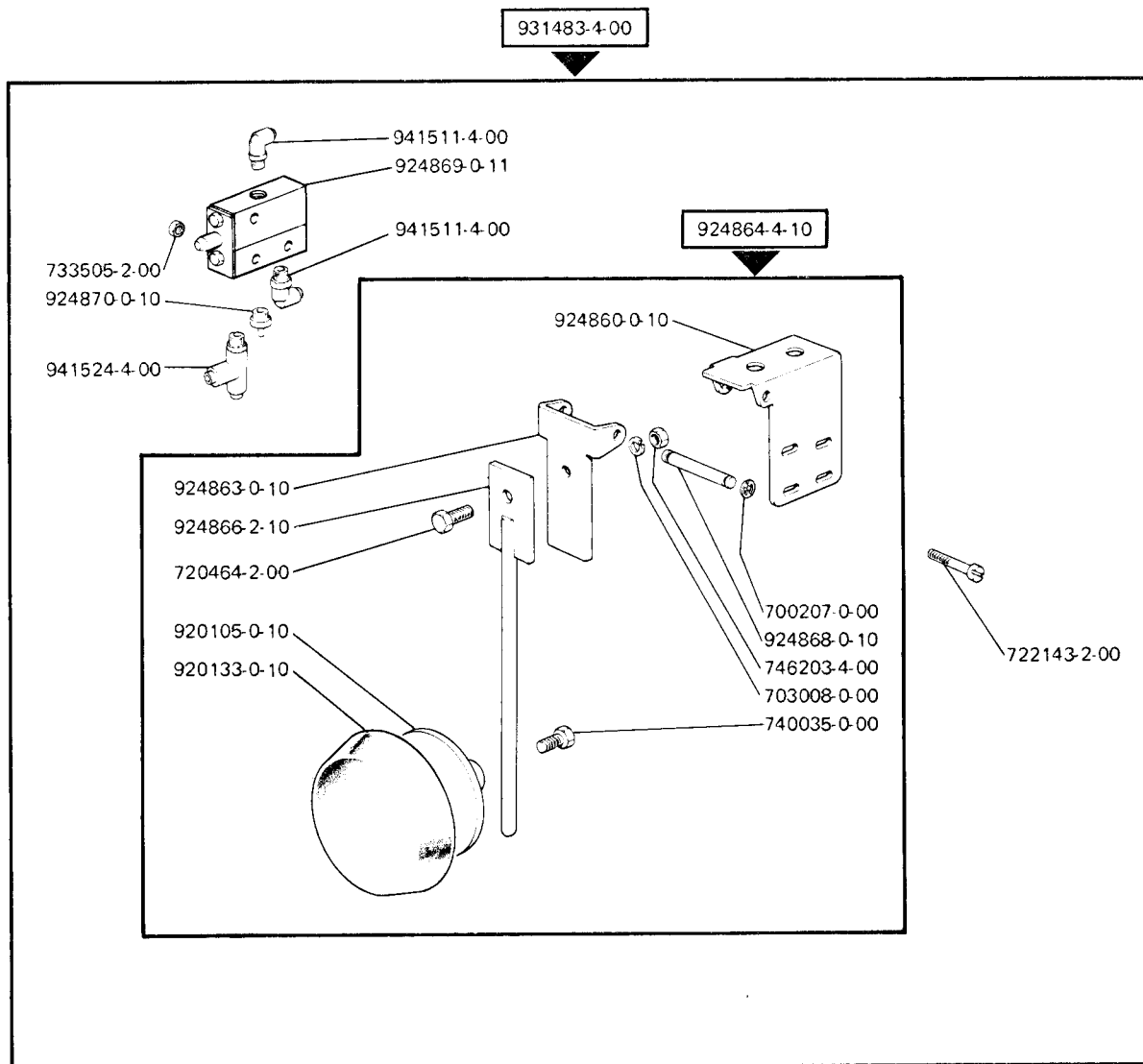


Part./Piece N.	SIMBOLO - SYMBOL	Zoccolo/Base N.
927447-0-00	R5	
931159-0-00	R6	
926634-0-00	R7	
925661-0-00	R8	
925659-0-00	R9	
931126-0-00	R10	
927226-0-00	R17	
923623-0-00	R18	
929884-0-00	C4 - C7	
929879-0-00	C8	
923409-0-00	D3 - D6	
926633-0-00	PT1	
929885-0-00	TR2	
929577-0-00	RL	
929893-0-00	IC2	927228-0-00
927230-0-00	IC3	927228-0-00
927468-0-00	DL2	
926548-0-00	P	

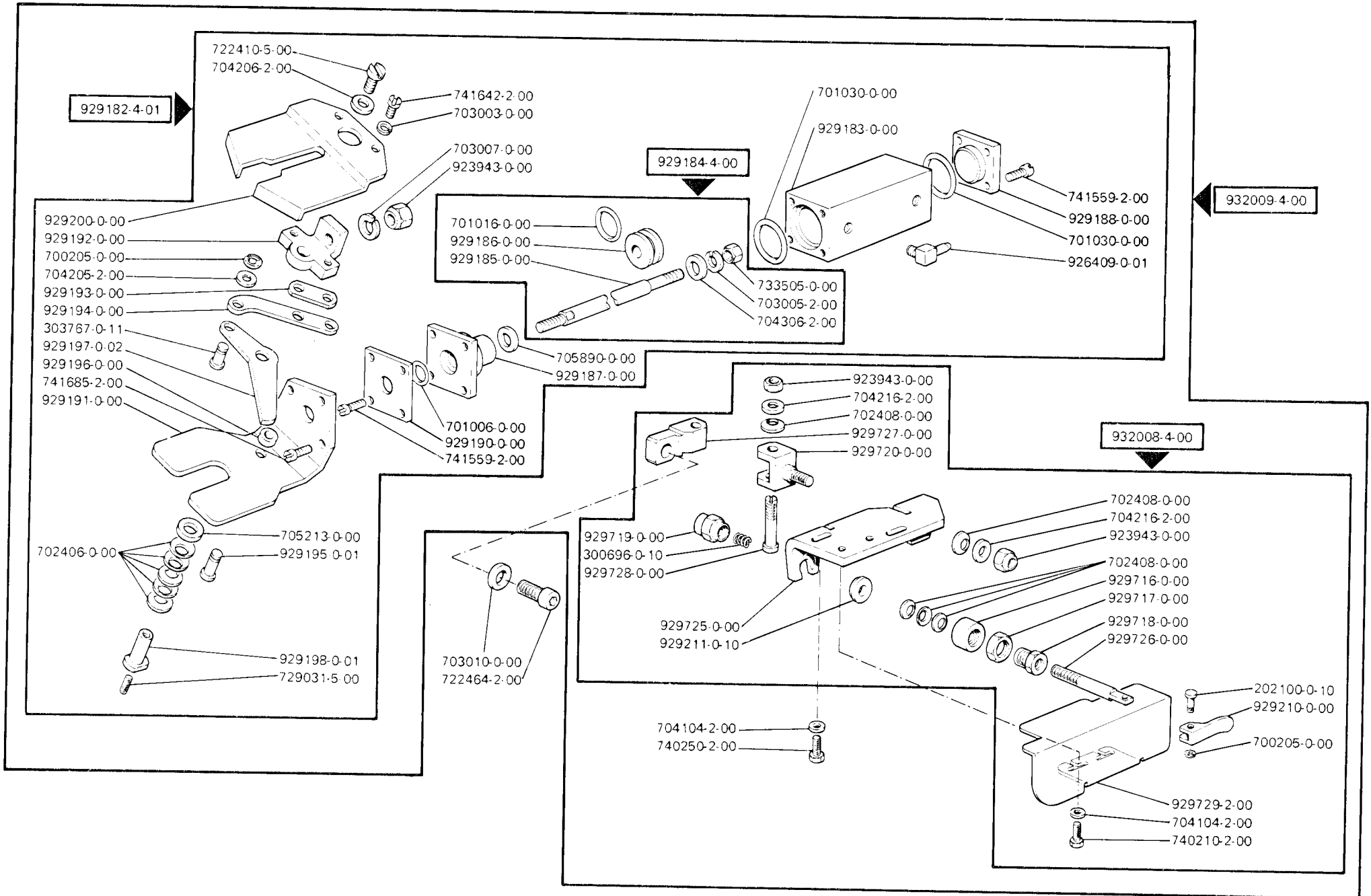




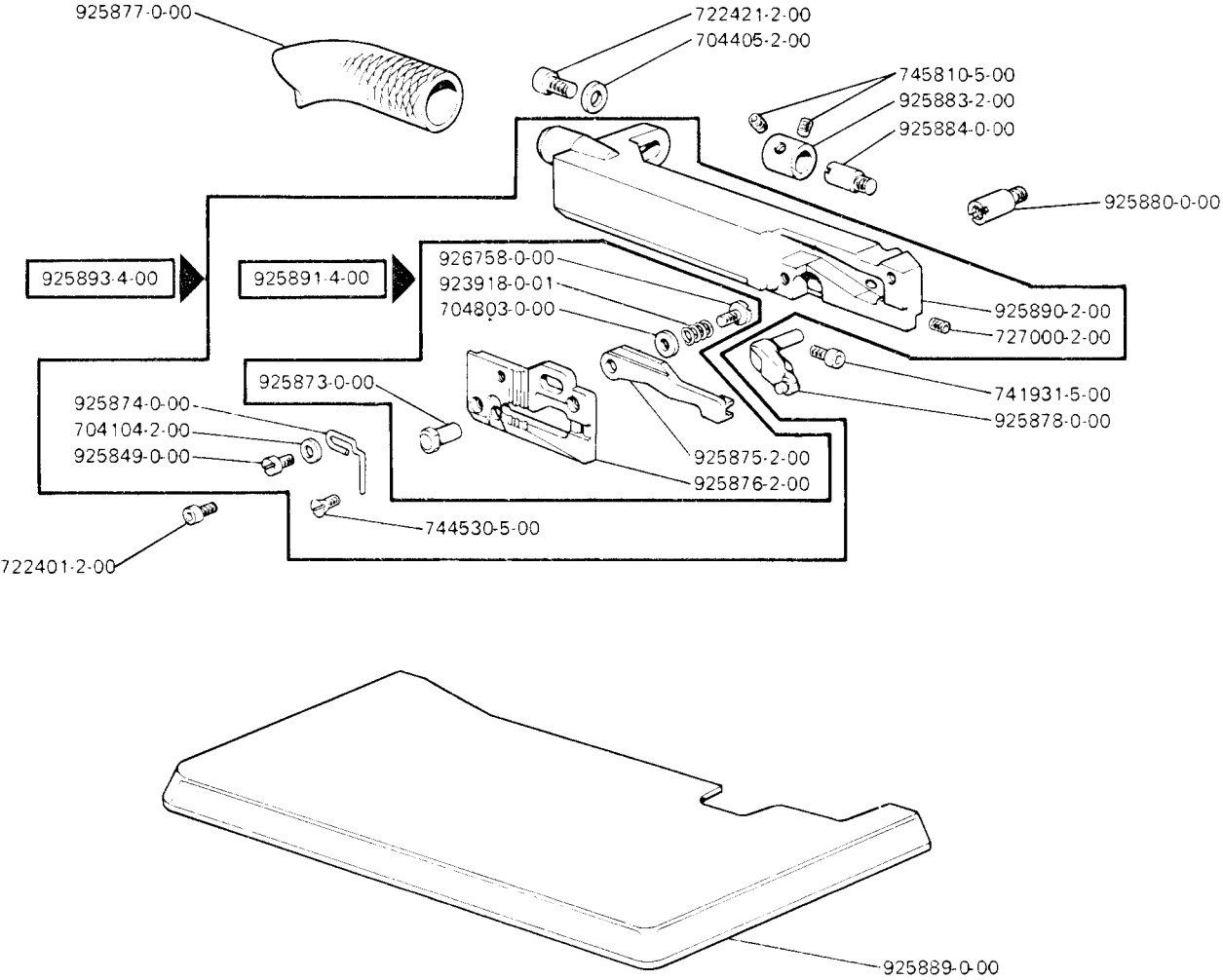
627-341KD-12 / 351 FB

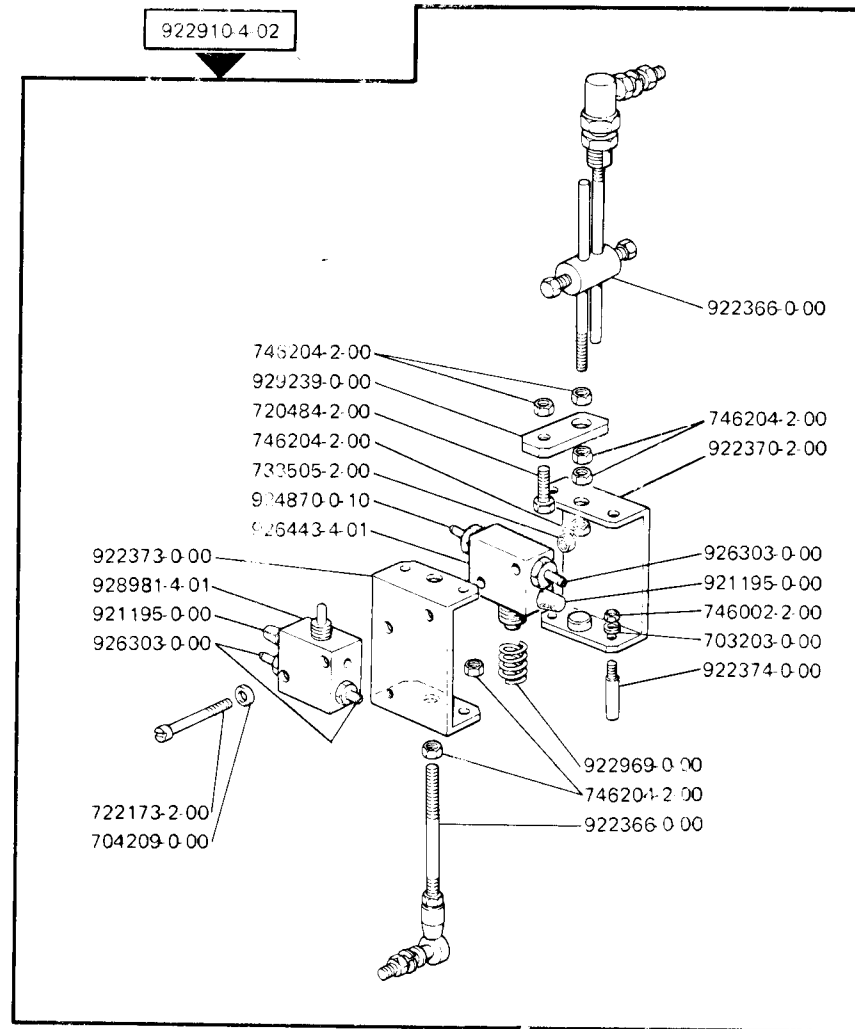


627-34-1KD-12 / 351 FB



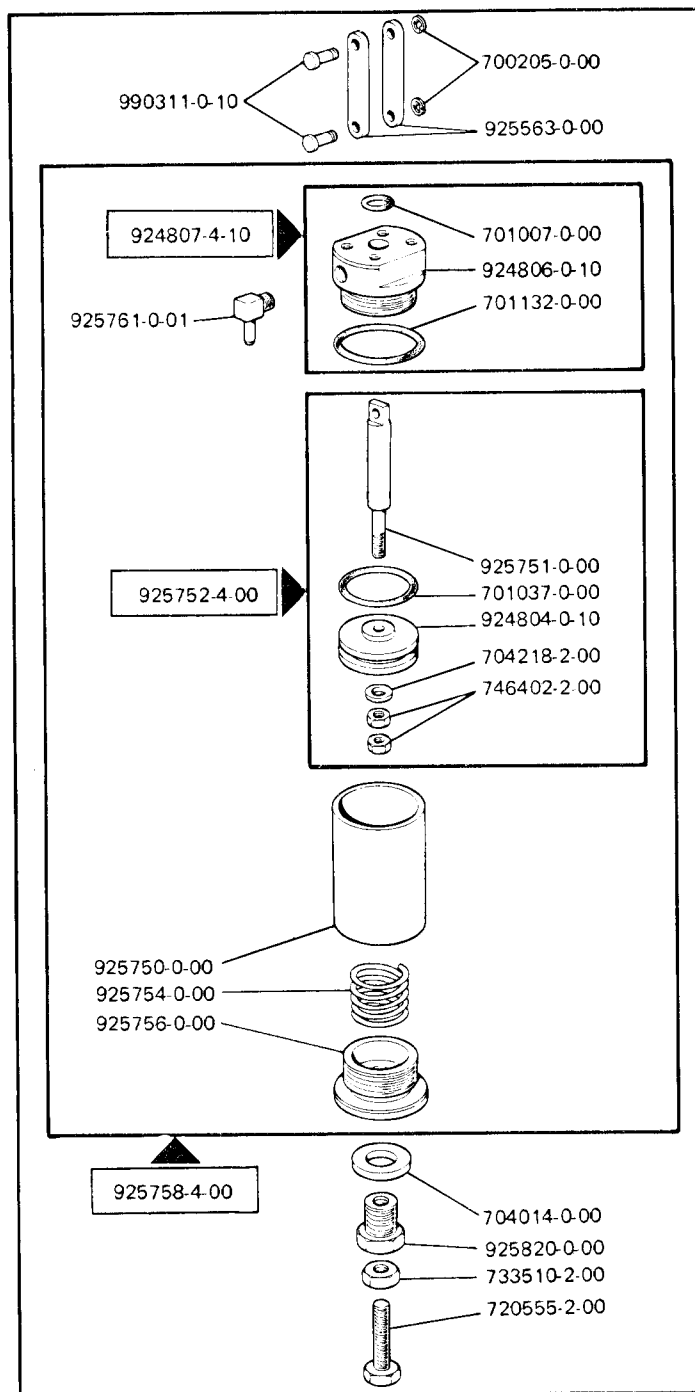
627-34-1KD-12 / 351 FB



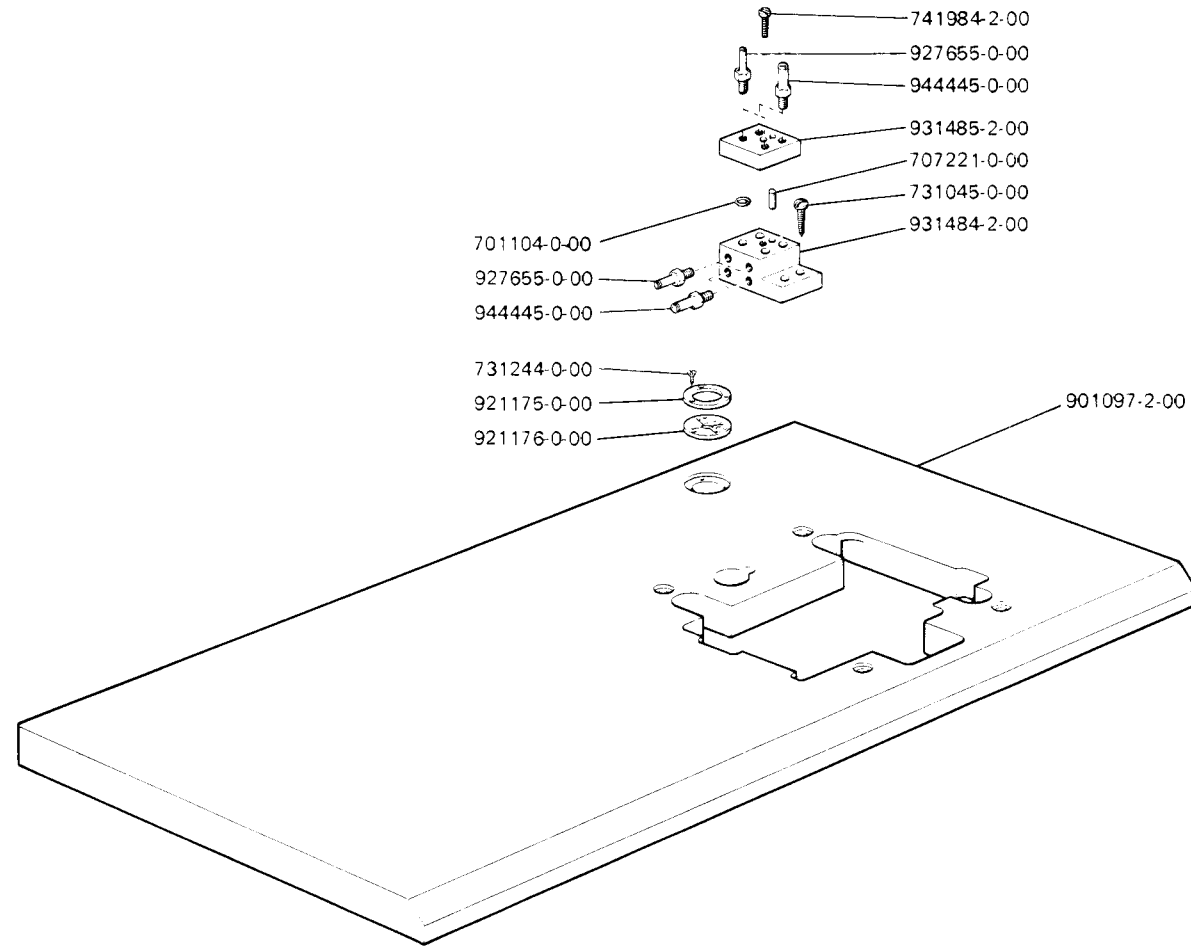




627-34-1KD-12 / 351 FB



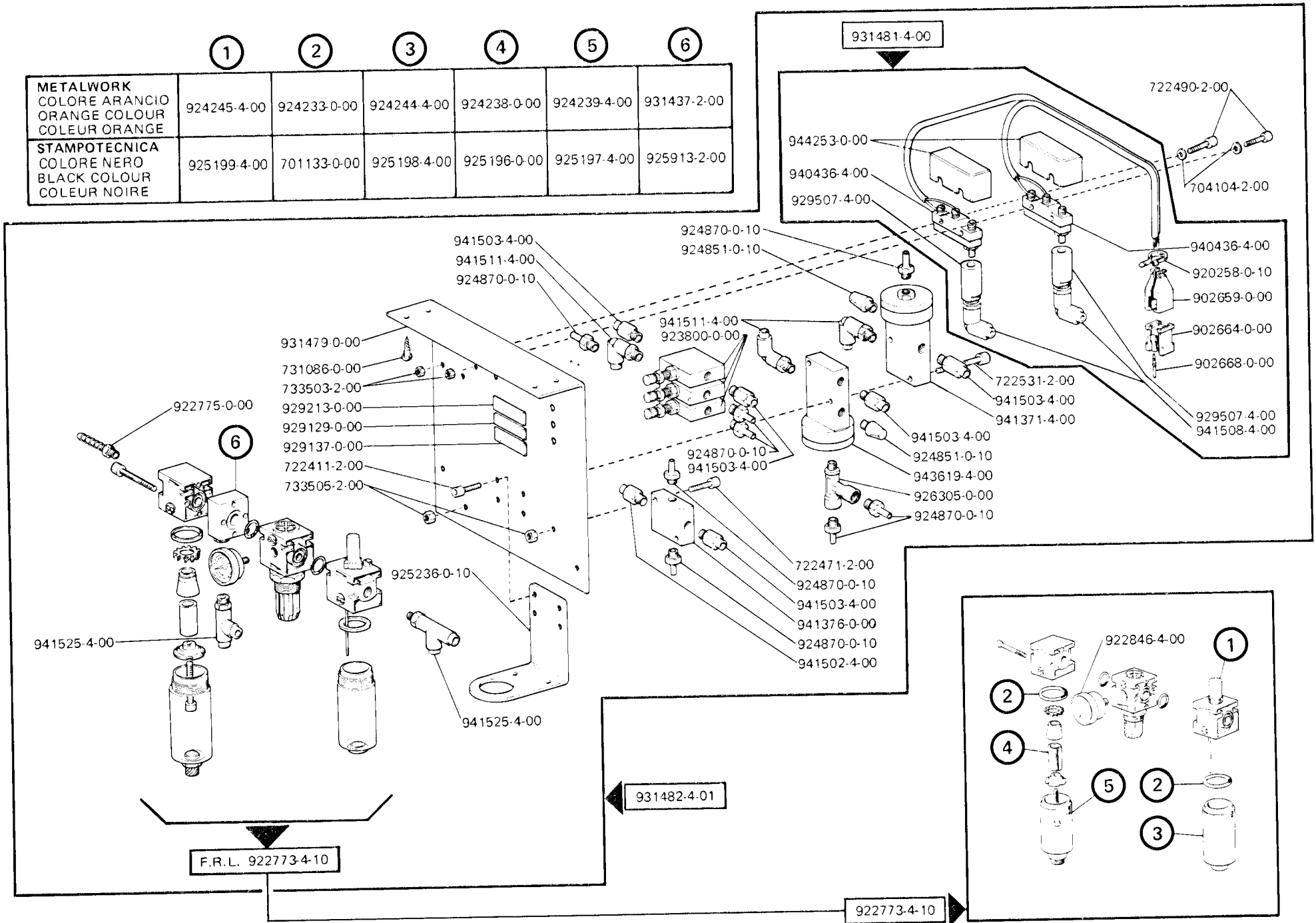
627-34-1KD-12 / 351 FB



627-34-1KD-12 / 351 FB

- 1
- 2
- 3
- 4
- 5
- 6

<b>METALWORK</b> COLORE ARANCIO ORANGE COLOUR COLEUR ORANGE	924245-4-00	924233-0-00	924244-4-00	924238-0-00	924239-4-00	931437-2-00
<b>STAMPOTECNICA</b> COLORE NERO BLACK COLOUR COLEUR NOIRE	925199-4-00	701133-0-00	925198-4-00	925196-0-00	925197-4-00	925913-2-00



F.R.L. 922773-4-10

931482-4-01

922773-4-10