

GA1-16-2MD-02	GA1-34-2MR-25	GA1-34-2WR-25
GA1-16-2MD-03	GA1-34-2MR-26	GA1-34-2WR-26
GB1-16-2MD-02	GA1-34-2MR-43	GA1-34-2WR-35
GB1-16-2MD-03	GB1-34-2MR-25	GA1-34-2WR-43
GD1-16-2MD-02	GB1-34-2MR-26	GB1-34-2WR-25
GD1-16-2MD-03	GB1-34-2MR-43	GB1-34-2WR-26
	GD1-34-2MR-25	GB1-34-2WR-35
	GD1-34-2MR-26	GB1-34-2WR-43
	GD1-34-2MR-43	GD1-34-2WR-25
		GD1-34-2WR-26
		GD1-34-2WR-35
		GD1-34-2WR-43

ISTRUZIONI PER LA CONSULTAZIONE DEL CATALOGO PER TESTE O PER APPARECCHIATURE

- Tutti i particolari delle teste sono rappresentati in più tavole come indicato nell'indice.
- I particolari sono esplosi nelle stesse posizioni in cui si trovano nelle teste.
- Le linee tratteggiate indicano i collegamenti tra i pezzi che per ragioni di disegno o di spazio non possono essere illustrati nello stesso asse.
- I simboli racchiusi da un riquadro (es. xxxxxx-x-xx) si riferiscono sempre a gruppi o sottogruppi.
- Nella rappresentazione grafica i componenti dei gruppi sono racchiusi da un riquadro; i componenti dei sottogruppi sono anch'essi riquadrati all'interno del gruppo.

TAVOLE CON PARTICOLARI COMUNI A TUTTE LE TESTE

- I simboli dei particolari o dei gruppi si leggono direttamente in corrispondenza dei pezzi.

TAVOLE CON PARTICOLARI NON COMUNI A TUTTE LE TESTE

- I simboli dei particolari o dei gruppi si leggono direttamente in corrispondenza dei pezzi.
- I particolari specifici per le singole teste sono indicati nel disegno con un numero progressivo evidenziato da un cerchio per i pezzi singoli o piccoli gruppi e da un quadrato per i gruppi principali. Per ricercare il simbolo del pezzo e del gruppo occorre consultare la relativa tabella riportata nella stessa tavola.

TAVOLE DOPPIE

- Per facilitare la consultazione alcune tavole sono state duplicate e sono indicate con lo stesso numero affiancato da una lettera (es. 3/A - 3/B).

ORGANI DI CUCITURA - GUIDE - ACCESSORI VARI

- Gli organi di cucitura - le guide - gli accessori vari sono preceduti da tavole riepilogative con l'indicazione dei particolari in dotazione e a richiesta.

AGHI

- Gli aghi sono contraddistinti dal sistema e dalla finezza. Il sistema dell'ago e la finezza sono marcati oltre che sulla busta, anche sull'ago stesso. Nelle ordinazioni precisare, oltre al simbolo, il sistema e la finezza degli aghi desiderati. In caso di dubbio allegare un ago campione o una busta vuota.

INSTRUCTIONS TO CONSULT THE CATALOGUE FOR HEADS OR FOR DEVICE

- All the spare parts are illustrated in several tables as indicated in the index.
- The parts are illustrated as they belong together in the machine
- The dashed illustration shows where the adjacent parts belong
- The symbols included in a square (e.g. xxxxxx-x-xx) are always referred to assemblies or sub-assemblies.
- In the graphical representation the components belonging to sub-assemblies are also included in a square within their assembly.

TABLES WITH PARTS COMMON TO ALL HEADS

- The symbols of the parts or of the assemblies can be read in direct reference to the parts.

TABLE WITH PARTS NOT COMMON TO ALL HEADS

- The symbols of the parts or of the assemblies can be read in direct reference to the parts.
- In the drawing the specific parts for the single heads are indicated by a progressive figure which is made evident by a circle for the single parts or small assemblies and by a square for the main assemblies. The symbol of the part or of the assembly can be located by consulting the relevant part-list included in the same table.

DOUBLE TABLES

- For easier reference, some tables have been duplicated. They are indicated by the same figure plus and additional letter, (e.g. 3/A and 3/B)

SEWING PARTS - FOLDERS - VARIOUS ACCESSORIES

- Sewing parts, folders and various accessories are preceded by summary tables indicating standard parts supplied and parts supplied on request.

NEEDLE

- The needles are marked with system and size. The system and size of the needle are shown on the packet as well as on the needle itself. When ordering please state symbol, system and size. If you have doubts, enclose a sample needle or an empty packet with your order.

INSTRUCTIONS POUR LA CONSULTATION DU CATALOGUE POUR TÊTES OU POUR DISPOSITIFS

- Toutes les pièces des têtes sont représentées en plusieurs tables comme nous avons indiqué dans l'index.
- Les pièces figurent sur l'illustration comme elles vont ensemble
- Les figures en tirets montrent le lieu de montage des pièces figurant à côté.
- Les symboles compris entre panneaux (ex. xxxxxx-x-xx) se réfèrent toujours à des groupes ou sous-groupes.
- Dans la représentation graphique les composants des sous-groupes sont eux mêmes encadrés à l'intérieur du groupe.

TABLES AVEC COMPOSANTS COMMUNS A TOUTES LES TÊTES

- Les symboles des composants et des groupes se lisent directement en correspondance des pièces.

TABLES AVEC COMPOSANTS NON COMMUNS A TOUTES LES TÊTES

- Les symboles des composants et des groupes se lisent directement en correspondance des pièces.
- Les composants spécifiques de chaque tête sont indiqués sur les dessins avec un numéro progressif encadré pour les simples composants ou petits groupes et numéro encadré pour les groupes principaux. Pour chercher le symbole de la pièce ou du groupe il faut consulter la relative fiche reportée sur la même table.

TABLE DOUBLE

- Pour faciliter la consultation certaines tables ont été doublées et sont indiquées avec le même numéro suivi par une lettre (ex. 3/A - 3/B)

ORGANES DE COUTURES - GUIDES - ACCESSOIRES DIVERS

- Les organes de coutures - les guides - les divers accessoires sont précédés de tables résumés avec l'indication des composants en dotation et sur demande.

AIGUILLES

- Les aiguilles se différencient par le système et la grosseur. Le système de l'aiguille et sa grosseur, sont indiqués non seulement sur le sachet mais également sur l'aiguille. Dans l'ordre précisé, en plus du symbole, le système et la grosseur des aiguilles désirés. En cas de doute, joindre une aiguille comme modèle ou un sachet vide.

TAV.N TAB.N.	DESCRIZIONE	DESCRIPTION	DESCRIPTION
1	GRUPPO TENSIONI CROCHET	LOOPER TENSIONS ASSEMBLY	GROUPE TENSIONS CROCHET
2	PASSAFILI E SALVA AGHI	THREADS GUIDE AND REAR NEEDLES GUARD	PASSE- FILS ET PROTEGE AIGUILLES
3	GRUPPO TENSIONI	TENSIONS ASSEMBLY	GROUPE TENSIONS
4	CARTER	COVERS	CARTERS
5A/B	PIANI DI LAVORO E COPERCHI	WORKINGS PLATE AND COVERS	PLANS DE TRAVAILLE ET CARTERS
6	ALBERI TRASPORTO E PORTA GRIFFE	TRANSPORT SHAFT AND FEED DOG HOLDER	ARBRES TRANSPORT ET PORTE GRIFFE
7A/B	ALBERO INFERIORE	LOWER SHAFT	ARBRE INFERIEUR
8	COMANDO CROCHET	LOOPER CONTROL	COMMANDE CROCHET
9	GRUPPO PORTA COLTELLI	KNIVES HOLDER ASSEMBLY	GROUPE PORTE COUTEAUX
10	ALBERO SUPERIORE E BARRE AGO	UPPER SHAFT AND NEEDLE BARS	ARBRE SUPERIEUR ET BARRE AIGUILLE
11A/B	TRASMISSIONE ALBERO SUPERIORE	LOWER SHAFT TRANSMISSION	TRANSFERT ARBRE INFERIEUR
12	GRUPPO PREMISTOFFA	PRESSER ASSEMBLY	GROUPE PIED-PRESSEUR
13	GRUPPO RULLI ALIMENTATORI	FEEDERS ROLLERS ASSEMBLY	GROUPE ROULEAUX D'ALIMENTATIONS
14	GRUPPO SOFFIATORI	BLOWERS ASSEMBLY	GROUPE SOUFFLEUR
15	BACINELLE OLIO	OIL SUMPS	RESERVOIRS HUILE
16	LUBRIFICAZIONE E POMPA OLIO	LUBRICATION AND OIL PUMP	LUBRIFICATION ET PUMP A HUILE
17	LUBRIFICAZIONE AL SILICONE	SILICONE LUBRICATION	LUBRIFICATION AVEC SILICONE
18	FRENAGGI	BREAKAGES	FREINAGES
19	GUIDE	GUIDES	GUIDES
20	ACCESSORI	EQUIPMENT	ACCESSOIRES
21	PEDALINE	PEDALS	PEDALS
22A/B	PORTA BOBINE	BOBBINS CARRIER	PORTE- BOBINES
23	RIEPILOGO ORGANI DI CUCITURA	SEWING PARTS SUMMING UP	RECAPITOLATION ORGANES DE COUTURE
24	PLACCHE AGO	NEEDLE PLATES	PLAQUES AIGUILLE
25	GRIFFE	FEED DOGS	GRIFFES
26A/B	PIEDINI	PRESSERFEET	PIED-PRESSEURS
27	MORSETTI AGO-COLTELLI	NEEDLE CLAMPS-KNIVES	PORTE AIGUILLES-COUTEAUX
28	GRUPPO MODULI	MODULES ASSEMBLY	GROUPE MODULES
29	MODULO M 010.2	M 010.2 MODULE	MODULE M 010.2
30	PANNELLO M 010.2	M 010.2 PANEL	PANNEAU M 010.2
31	MODULO M 011.3	M 011.3 MODULE	MODULE M 011.3
32	PANNELLO M 011.3	M 011.3 PANEL	PANNEAU M 011.3
33	GRUPPO F.R.L.	F.R.L. ASSEMBLY	GROUPE F.R.L.
34	PULSANTE A GINOCCHIELLO	KNEE-PRESS PUSH-BUTTON	POUSSOIR A GENOILLERE
35	TIRANTE MOTORE	MOTOR TIE ROD	TIRANT MOTEUR

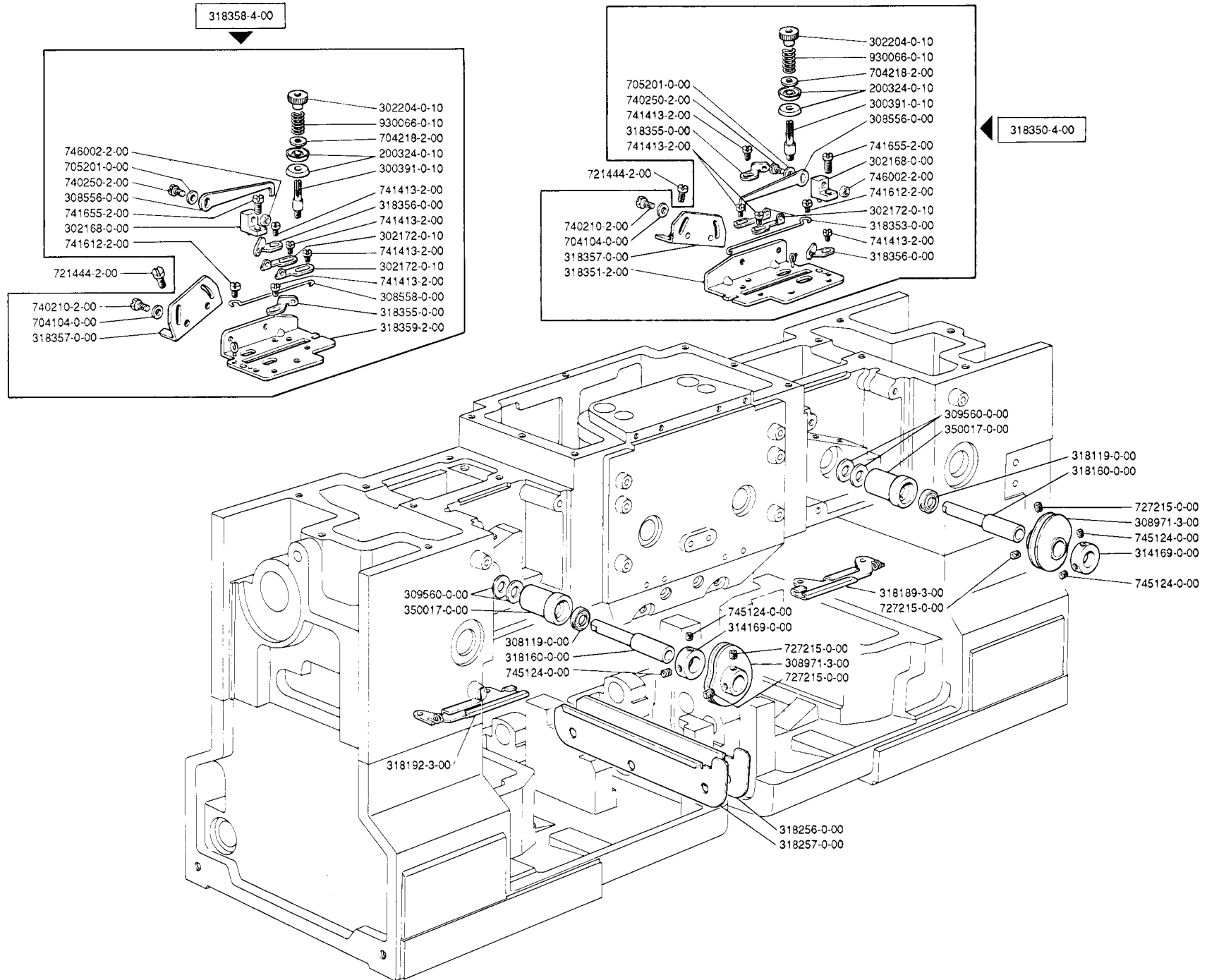
INDEX

SIMB.	TAV.	SIMB.	TAV.	SIMB.	TAV.	SIMB.	TAV.	SIMB.	TAV.	SIMB.	TAV.	SIMB.	TAV.
100454-0-10	5A	300362-0-11	6	304684-0-10	25	308507-0-00	3	318047-2-00	7A-7B	318137-2-00	12	318221-0-00	4-17
100862-0-10	13	300371-0-11	6	304763-0-10	12	308512-0-00	3	318048-2-00	7A-7B	318138-2-00	12	318222-0-00	4-17
200324-0-10	1	300377-0-10	7A-7B	305194-0-00	8	308518-4-00	3	318049-0-00	7A-7B	318140-0-00	7A-7B	318223-0-00	4-17
200356-0-10	13	300387-0-10	19	305539-0-00	8	308521-4-00	3	318053-0-00	7A-7B	318141-0-00	5A-5B	318224-4-00	4
200710-0-10	3	300391-0-10	1	305670-2-00	27	308556-0-00	1	318061-0-00	16	318143-0-00	7A-7B	318226-0-00	5A-5B
200714-0-10	3	300483-0-10	2	306449-0-10	2	308558-0-00	1	318069-4-01	7A	318144-0-00	7A-7B	318227-0-00	5A-5B
200876-0-10	3	300917-0-10	5A-5B	306450-0-10	2	308802-0-00	7A-7B	318070-4-01	7B	318145-0-00	7A-7B	318228-0-00	5A
201128-0-10	6	301458-0-10	7A-7B	307704-0-00	6-7B	308971-3-00	1	318071-4-01	7A	318147-3-00	16	318229-0-00	5A
201143-0-10	7A	301459-4-10	7A-7B	307749-0-00	18	309271-0-00	5A-5B	318072-4-01	7B	318148-3-00	16	318230-0-00	5A
202229-0-10	3	301579-0-10	7A-7B	308029-2-00	7A	309560-0-00	1-6	318078-3-00	6	318149-0-00	15	318231-0-00	5A
202287-0-10	8	301596-0-11	26A	308030-2-00	7A-7B	309562-0-00	9	318079-3-00	6	318150-2-00	15	318240-2-00	6
202395-2-11	12	301598-0-11	26A	308037-0-01	10	310583-0-00	7B	318085-3-00	10	318151-2-00	15	318242-4-00	6
202397-0-10	6	302028-2-20	6	308039-0-01	10	311007-0-00	6	318086-3-00	10	318160-0-00	1	318243-4-00	6
202465-0-10	9	302052-2-21	8	308043-0-00	16	311015-4-02	7A-7B	318087-3-00	10	318162-0-00	8	318244-4-00	6
202468-0-10	9	302057-0-13	8	308044-0-10	8	311018-0-00	7A-7B	318090-0-00	12	318164-0-00	8	318245-0-00	6
202473-0-11	6	302119-0-10	7A-7B	308045-0-01	8	311022-0-01	7A-7B	318091-0-00	12	318165-0-00	8	318246-0-00	6
202474-0-10	8	302168-0-00	1	308047-0-10	8	311053-2-00	6	318092-0-00	12	318166-0-00	8	318248-2-00	6
202556-0-00	3	302172-0-10	1	308105-4-05	16	311057-2-00	7B	318093-0-00	12	318167-0-00	8	318252-2-00	5A-5B
202558-2-00	3	302204-0-10	1	308109-2-00	11B	311061-2-00	10	318099-3-00	10	318169-3-00	8	318253-2-00	5A-5B
202700-0-10	2	302238-0-11	12	308113-0-00	15	311186-0-00	7A-7B	318100-3-00	10	318170-4-00	8	318254-0-01	5A-5B
202703-0-10	2	302276-0-10	8	308119-0-00	1-7A-7B	311385-2-00	6-8	318101-3-00	10	318171-4-00	8	318255-0-01	5A-5B
203211-0-10	21	302289-0-10	8	308123-0-00	16	311386-2-00	6	318105-4-01	16	318172-0-00	8	318256-0-00	1
205188-0-10	8	302333-0-10	6	308127-0-00	7A-7B	312545-0-00	8	318106-0-00	16	318173-4-00	8	318257-0-00	1
206437-0-00	16	302347-0-10	26A-26B	308137-0-00	2	312810-3-01	8	318107-2-00	11A-11B	318179-0-00	2	318260-0-00	5A-5B
206545-0-00	15	302355-0-10	5A-5B	308185-0-00	16	313091-0-00	3	318108-0-00	11B	318182-4-00	7A-7B	318261-0-00	5A-5B
206557-0-00	16	302708-0-01	9	308190-0-00	6	314169-0-00	1	318108-2-00	11A	318186-4-00	7A-7B	318262-2-00	5A-5B
206559-0-01	15	302773-0-11	26A	308194-0-01	6	314574-2-00	12	318109-2-00	11A	318189-3-00	1	318263-2-00	5A-5B
206560-0-10	15	302803-0-10	9	308196-0-10	6	314585-0-00	12	318110-0-00	11A-11B	318192-3-00	1	318264-0-00	5A-5B
206564-0-00	15	302806-0-10	9	308201-0-02	2	314589-2-00	12	318111-2-00	11A-11B	318195-0-00	19	318266-2-00	18
206603-0-10	7A	302808-0-10	27	308214-0-00	16	314635-0-00	4-5A-5B	318112-2-00	10	318195-0-10	19	318267-4-00	18
206606-0-00	10	302844-3-10	9	308218-0-00	10	318022-0-00	2	318114-0-00	11A-11B	318196-2-00	4	318268-0-00	19
206662-0-00	15	302856-0-10	9	308228-2-00	15	318024-0-00	15	318118-4-00	11A-11B	318198-0-00	16	318270-0-00	5A-5B
206708-0-00	6	302859-0-10	9	308272-0-00	8	318025-0-00	15	318119-0-00	1	318199-0-00	4	318271-0-00	5A-5B
206872-0-00	7A	302864-0-10	9	308273-0-00	8	318026-4-00	14-15	318119-4-00	11A-11B	318201-0-00	4	318272-0-00	15
207392-0-00	2	302865-0-11	27	308275-2-00	6	318028-0-00	4	318121-0-00	11A-11B	318203-0-00	5A-5B	318273-0-00	15
207893-0-00	2	303023-0-10	19	308276-0-20	6	318029-0-00	4	318122-0-00	11A-11B	318205-2-01	5A-5B	318274-0-00	15
208342-2-00	13	303042-0-10	9	308287-0-00	8	318030-0-00	6	318124-0-00	11A-11B	318208-0-00	4	318275-0-00	15
209439-0-10	7A	303043-0-10	9	308310-0-00	7A-7B	318031-0-00	3	318126-0-00	11A-11B	318209-0-00	4	318276-4-00	15
300120-0-10	26A	303045-0-10	2-5A-5B-17	308325-3-00	8	318036-0-00	8	318127-2-00	11A	318210-0-00	4	318277-0-00	5A-5B
300128-0-10	19	303052-0-00	26A	308326-2-01	8	318037-0-00	8	318128-0-00	11A-11B	318211-0-00	4	318296-0-00	25
300129-0-10	19	303456-0-20	17	308327-0-00	8	318039-0-00	10	318129-0-00	12	318212-0-00	4	318297-0-00	25
300209-0-10	7A	303459-2-11	7A	308330-3-00	8	318041-0-00	6	318130-0-00	12	318213-0-00	4	318298-0-00	25
300218-0-10	3	303503-0-10	8	308340-4-00	7A	318042-0-00	6	318131-0-00	12	318214-0-00	4	318299-0-00	25
300228-0-10	6	303538-0-00	8	308497-2-01	3	318043-0-00	12	318132-0-00	12	318217-2-00	5A-5B	318300-0-00	25
300351-0-11	8	303539-0-00	8	308501-0-01	3	318044-0-00	7A-7B	318133-0-00	12	318218-2-00	5A-5B	318301-0-00	25
300352-0-10	8	304458-0-10	13	308503-0-01	3	318045-0-00	7A-7B	318135-4-00	12	318219-0-00	5A-5B	318304-0-00	25
300361-0-20	6	304662-0-10	4	308505-0-00	3	318046-0-00	10	318136-2-00	12	318220-0-00	4	318305-0-00	25

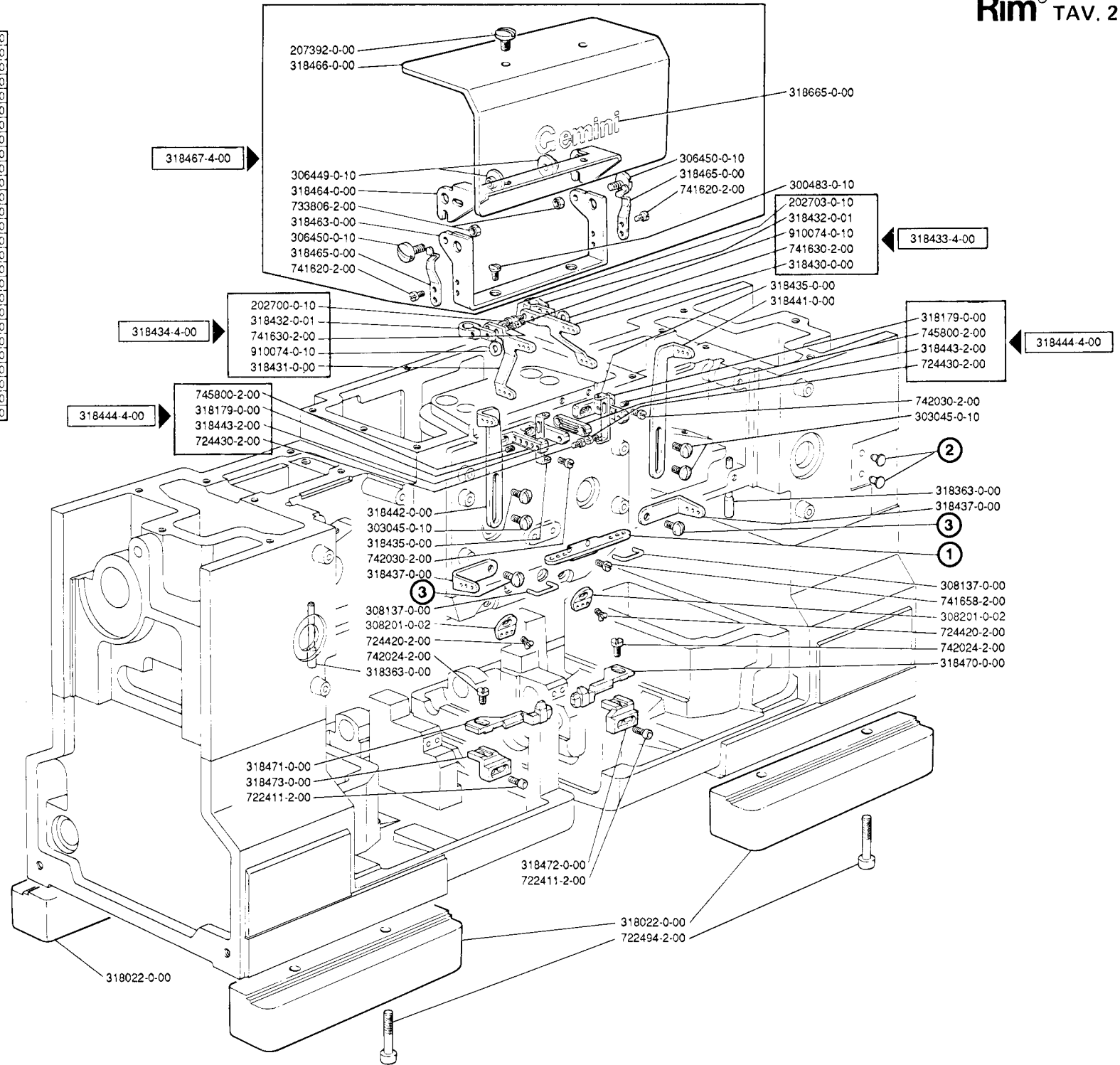
SIMB.	TAV.	SIMB.	TAV.	SIMB.	TAV.	SIMB.	TAV.	SIMB.	TAV.	SIMB.	TAV.	SIMB.	TAV.
318308-0-00	25	318438-0-00	2	318512-2-00	9	318595-0-00	18	318715-0-00	26B	351073-2-01	10	703203-0-00	35
318309-0-00	25	318439-0-00	2	318513-0-00	27	318596-0-00	20	318722-0-00	26B	351074-0-01	10	703208-0-00	9
318326-0-00	26A-26B	318440-0-00	2	318515-0-10	9	318597-2-00	20	318723-0-00	26B	351076-0-00	10	703503-2-00	30
318328-0-00	26A	318441-0-00	2	318516-0-10	9	318598-4-00	20	318724-0-00	26B	351096-0-00	10	703810-0-00	8
318329-0-00	26A	318442-0-00	2	318517-0-00	9	318599-0-00	20	318725-0-00	26B	351126-0-00	12	704009-0-00	11B-21
318346-0-00	26A-26B	318443-2-00	2	318520-3-00	8	318600-0-00	5A-5B	318726-0-00	26B	351127-0-01	12	704011-0-00	28
318347-0-00	26A	318444-4-00	2	318521-3-00	8	318602-0-00	5A-5B	318727-0-00	26B	351130-0-10	12	704013-2-00	34
318349-0-00	26A	318445-0-00	6-7A-7B	318522-2-00	9	318609-0-00	12	318728-0-00	26A-26B	351131-0-01	12	704017-2-00	22A-22B-28
318350-4-00	1	318446-0-00	3	318530-0-00	5B	318610-0-00	12	318735-0-00	27	351134-3-00	12	704018-2-00	19
318351-2-00	1	318448-0-00	3	318533-0-00	5B	318625-0-00	5A-5B	318791-2-00	27	351135-0-00	12	704104-0-00	1
318353-0-00	1	318450-0-00	3	318534-0-00	5B	318626-0-00	5A-5B	318792-2-00	27	351136-0-00	12	704104-2-00	18
318355-0-00	1	318452-0-00	3	318535-0-00	5B	318627-0-00	5A	318794-2-00	27	351139-2-01	12	704106-2-00	13-29
318356-0-00	1	318454-4-00	3	318536-0-00	5B	318627-0-10	5B	318821-0-00	17	351144-2-00	12	704108-2-00	13
318357-0-00	1	318456-4-00	3	318537-0-00	5B	318632-0-00	14	318893-0-00	16	351156-0-00	12	704111-2-00	12
318358-4-00	1	318462-0-00	3	318538-3-00	5B	318633-0-00	14	318894-0-00	16	351370-0-00	3	704209-0-00	35
318359-2-00	1	318463-0-00	2	318539-3-00	5B	318634-0-00	14	318895-3-00	16	351418-0-00	10	704210-4-00	10
318363-0-00	2	318464-0-00	2	318540-0-00	5B	318635-4-00	33	318896-3-00	16	351419-0-00	10	704216-2-00	19
318366-0-00	3	318465-0-00	2	318541-0-00	5B	318647-4-00	14	318897-0-00	16	351447-0-00	11A-11B	704218-2-00	1-7A-7B-8
318367-0-00	27	318466-0-00	2	318544-0-10	5B	318648-4-00	14	318898-3-00	16	351448-0-00	11A-11B	704223-0-00	13
318368-0-00	27	318467-4-00	2	318545-0-00	5B	318649-4-00	14	318899-0-00	16	351450-0-00	11A	704226-2-00	8-13
318371-2-01	27	318470-0-00	2	318548-0-00	5B	318650-4-00	14	318908-0-00	21	351451-3-00	11A-11B	704240-0-00	12
318373-2-01	27	318471-0-00	2	318552-4-00	19	318651-4-00	14	318909-4-00	21	351453-0-00	11A-11B	704305-0-00	12-10
318374-2-01	27	318472-0-00	2	318555-4-00	19	318652-4-00	14	318910-0-00	21	351454-0-00	11A-11B	704306-2-00	33-35
318380-2-00	27	318473-0-00	2	318563-2-00	7B	318654-0-00	14	318911-4-00	21	351456-0-00	11A-11B	704308-2-00	5A-5B
318382-2-00	27	318474-0-00	8	318564-0-00	7B	318657-0-00	14	318914-0-00	28	351561-2-00	10	704309-4-00	8
318383-2-00	27	318475-0-00	8	318565-4-00	7B	318658-0-00	14	318923-5-00	22A	308503-0-01	3	704310-0-00	21
318389-4-00	27	318479-0-01	16	318566-4-00	7B	318659-0-00	14	318924-0-00	22A-22B	700130-0-00	13	704316-2-00	14
318391-4-00	27	318480-4-00	7A-7B	318567-4-00	7B	318660-2-00	14	318925-0-00	22A-22B	700205-0-00	13-21	704406-0-00	25
318392-4-00	27	318481-4-00	7A-7B	318568-4-00	17	318661-2-00	14	318926-2-00	22A-22B	700206-0-00	5A-5B	704406-0-10	25
318398-4-00	27	318483-4-11	16	318569-4-01	20	318663-0-00	33	318927-2-00	22B	700208-0-00	7A-7B	704409-2-00	11A-11B
318400-4-00	27	318484-0-00	16	318570-0-00	20	318664-4-00	35	318928-5-00	22B	700596-0-00	7A-7B	704530-2-00	11A-11B
318401-4-00	27	318485-2-11	16	318571-0-00	20	318665-0-00	2-4-14	318929-0-00	22A-22B	700621-0-00	11A-11B	704630-0-00	11A-11B
318410-3-00	16	318488-2-10	16	318572-0-00	20	318667-4-00	35	319046-0-00	10	701001-0-00	7A-7B	704802-0-00	13
318411-3-00	16	318491-0-00	16	318576-3-00	5A	318668-0-00	16	319047-0-00	10	701004-0-00	16	704805-0-00	6
318418-0-00	16	318493-0-00	16	318577-3-00	5A	318669-4-00	18	319048-0-00	10	701005-0-00	7A-7B	704813-0-00	10-16
318419-0-00	16	318494-0-00	16	318580-3-00	5A	318670-0-00	18	319049-0-00	10	701006-0-00	8	704822-0-00	7A-7B
318420-3-00	16	318495-0-00	16	318581-3-00	5A	318671-0-00	18	319201-4-00	19	701010-0-00	12	704841-0-00	12-13
318423-0-00	4	318497-0-01	16	318583-4-00	17	318672-0-00	14	319207-4-00	19	701031-0-00	16	704846-0-00	8
318428-0-00	16	318502-2-01	9	318584-0-00	17	318680-4-00	19	350017-0-00	1	701037-0-00	15	704849-0-00	6-8
318430-0-00	2	318503-2-01	9	318585-0-00	17	318681-4-00	19	350029-0-00	10	701051-0-00	15	704854-0-00	7A-7B
318431-0-00	2	318504-0-00	9	318586-4-00	17	318682-4-00	19	351052-2-00	10	701101-0-00	16	705008-0-00	18
318432-0-01	2	318505-4-00	9	318587-4-00	18	318683-4-00	19	351053-4-00	10	701115-0-00	7A-7B	705030-0-00	10
318433-4-00	2	318506-2-01	9	318588-4-00	18	318684-4-00	19	351062-0-01	10	701133-0-00	33	705201-0-00	1
318434-4-00	2	318507-2-01	9	318589-0-00	18	318685-4-00	19	351064-2-00	10	701405-0-00	3	705214-0-00	3
318435-0-00	2	318508-2-01	9	318590-0-00	18	318686-4-00	19	351067-0-00	10	702403-0-00	8	705734-0-00	6-7A-7B-10
318436-2-00	3	318509-2-01	9	318591-4-00	18	318687-4-00	19	351069-2-00	10	702408-0-00	18	705834-0-00	8
318437-0-00	2	318510-2-00	9	318594-0-00	18	318714-0-00	26B	351070-0-00	10	703005-0-00	22A-22B	705855-0-00	4

INDEX

SIMB.	TAV.	SIMB.	TAV.	SIMB.	TAV.	SIMB.	TAV.	SIMB.	TAV.	SIMB.	TAV.	SIMB.	TAV.
705915-0-00	3	722484-2-00	28	733806-2-00	2	743541-2-00	21	778404-0-00	12	923804-0-00	33	929425-2-01	13
705954-0-00	3	722492-2-00	18	734001-2-00	13-28	744040-2-00	8	778414-0-00	6	923805-4-01	33	929427-0-00	13
705970-0-00	4	722493-2-00	5B	740210-2-00	1	744636-2-00	5B	778459-0-00	7B	924233-0-00	33	929430-4-00	34
705975-0-00	34	722494-2-00	2	740224-2-00	25	744674-2-00	5A-5B	778526-0-00	9	924238-0-00	33	929436-0-00	13
705977-0-00	15	722513-2-00	4	740226-0-00	8	744676-2-00	5A-5B	778827-0-00	8	924239-4-00	33	929437-0-00	13
705984-0-00	3	722521-2-00	35	740226-2-00	8	744730-2-00	5A-5B-24	788020-0-01	3	924795-0-10	13	929438-0-01	13
705997-0-00	3	722581-2-00	33	740243-2-00	6	745013-0-00	16	788808-0-00	28	924870-0-10	33-35	929439-0-01	13
706434-0-00	6	724420-2-00	2	740244-0-00	13	745014-2-00	13	790235-0-00	16	925122-0-00	29	929448-0-00	13
707241-0-00	12	724422-2-00	4	740250-2-00	1	745114-0-00	9	790270-0-00	16	925196-0-00	33	929575-0-00	30-32
707283-0-00	13	724430-2-00	2-13	740257-2-00	3-6	745124-0-00	1	790303-0-00	16	925197-4-00	33	929801-0-00	24
707518-0-00	5B	724856-2-00	19	740336-2-00	12	745126-2-00	3	790319-0-00	16	925513-0-00	33	929821-0-00	32
707536-0-00	5A	725601-2-00	5A-5B	740472-2-00	6	745800-2-00	2-4-8-17	790364-0-00	16	925557-0-00	33	929822-0-00	30
720471-0-00	10	725672-2-00	13	740522-2-00	12	745803-2-00	12-14-13	790367-0-00	16	925623-0-00	32	929823-0-00	29-30
720485-2-00	11A-11B	727034-0-00	3-16	740632-2-00	12	745810-2-00	13-26A-26B	790385-0-00	16	925655-0-00	14	929850-0-01	29-31
720504-2-00	35	727215-0-00	1-7A-7B	740888-2-00	21	745810-2-10	8-9-10-13	790401-0-00	16	925779-0-00	33	929851-0-01	28
721086-2-00	15-35	727834-2-00	3	741082-2-00	16-33	745815-2-00	6-8-12	790818-0-00	16	926441-0-00	35	929853-0-00	28-29
721411-2-00	26A-26B	729011-2-00	5B-7A-7B	741092-2-00	16	745827-2-00	10-12	790832-0-00	16	926537-0-00	32	929854-0-00	29
721412-2-00	9-13		13-24	741400-0-00	8	745900-2-00	13-27	902663-0-00	34	926547-0-00	32	929856-0-00	28
721434-2-00	19	729012-2-00	9-13-16-18	741413-2-00	1-26A-26B	745902-0-00	7A-7B	902668-0-00	34	926548-0-00	32	929861-0-00	29-31
721435-2-00	14	729013-2-00	6-8-9	741414-2-00	26A-26B	745902-2-00	7A-7B	910074-0-10	2	926549-0-00	29-31	929864-0-01	29
721444-2-00	1-13-15		10-13	741433-2-00	26B	746002-2-00	1-6-35	910440-0-00	29	927222-0-00	30	929870-0-01	29
721454-2-00	5A-5B-31	729022-2-00	13	741519-2-00	18	746007-2-00	33	920258-0-10	13-34	927223-0-00	32	929879-0-00	30-32
721476-0-00	11B	729023-2-00	10-12	741559-2-00	6	746019-2-00	18	920278-0-10	29	927228-0-00	30-32	929885-0-00	30
721484-2-00	2-4-5A-5B	729024-2-00	7A-7B-11A	741612-2-00	1	746204-2-00	9-35	920472-4-00	34	927229-0-00	30	929893-0-00	30
721485-2-00	21		11B	741620-2-00	2	746404-2-00	6	920473-0-00	34	927231-0-00	30	929894-0-00	30
721486-2-00	18	729031-2-00	17	741630-2-00	2	746408-2-00	21	920474-0-00	34	927381-0-00	30	930004-2-21	18
722063-2-00	15	729032-2-00	20	741634-2-00	30	746414-2-00	16	920485-2-10	34	927382-0-00	32	930066-0-10	1-19
722073-2-00	29-31	729034-2-00	10-12-34	741642-2-00	27	761002-0-00	19	920488-2-11	34	927385-0-00	30-32	930090-2-11	18
722102-0-00	30-32	729051-2-00	7A-7B	741655-2-00	1	761004-0-00	19	920490-0-10	34	927387-0-00	32	930091-4-10	18
722103-2-00	29	729054-2-00	22A-22B	741658-2-00	2	761005-0-00	19	920492-0-00	34	927468-0-00	30	930094-0-10	18
722173-2-00	35	729433-2-00	6	741665-2-00	30-32	761007-0-00	19	921036-0-10	29	927470-0-00	32	930096-0-10	18
722411-2-00	2-5A-5B	729434-2-00	8-10-12	741675-2-00	8	761009-0-00	19	921148-0-00	5B	927475-0-00	30-32	930119-0-10	18
722413-2-00	28-29	729445-2-00	22A-22B	741928-0-00	6	761010-0-00	19	921195-0-00	35	927477-4-00	11B	930151-0-10	19
722421-2-00	12	730011-2-00	7A-7B-10	741928-2-00	11A-11B	761012-0-00	19	922366-0-00	35	927655-0-00	13-14	930308-0-10	18
722422-2-00	9	730022-2-00	9	741933-2-00	16	761013-0-00	19	922367-0-02	35	927665-0-00	14	931001-4-03	28-29
722423-2-00	14-28	730023-2-00	8	741936-2-00	5A-5B	761502-0-00	19	922369-0-00	35	927885-0-00	30	931011-4-04	28-31
722431-2-00	22A-22B	730033-2-00	6-7A-7B	741963-0-00	16	761504-0-00	19	922370-2-00	35	927911-0-00	6	931058-4-00	28
722432-2-00	5A-5B-13	730034-2-00	11A-11B	742024-2-00	2	761505-0-00	19	922373-0-00	35	928122-0-00	30-32	931116-0-00	32
722434-2-00	11A-11B	730061-2-00	6	742027-2-00	18	761507-0-00	19	922373-2-00	35	928169-0-00	29	931118-0-00	30
722442-2-00	11A-11B	733106-2-00	12	742030-2-00	2	761509-0-00	19	922374-0-00	35	928218-0-00	30-32	931121-0-00	30-32
722444-2-00	11B	733211-2-00	22A-22B-28	742036-2-00	4	761510-0-00	19	923010-0-10	13	928429-0-00	29	931127-0-00	30
722453-2-00	15	733503-2-00	13-14-30-32	742068-2-00	3-4	761512-0-00	19	923409-0-00	30	928818-4-00	35	931128-0-00	30
722460-2-00	11B	733505-2-00	13-29-31-35	742222-2-00	7A-7B	761513-0-00	19	923706-0-00	30	929239-0-00	35	931129-0-00	30-32
722463-2-00	4-11A-11B	733507-2-00	16	742423-0-00	8	766000-0-80	10	923800-0-00	33	929242-0-00	35	931130-0-00	30-32
	13	733508-2-00	22A-22B	742811-2-00	6	778204-0-00	9	923801-4-00	33	929306-0-00	26A-26B	931132-0-00	32
722472-2-00	11A-11B-16	733510-2-00	28	742812-2-00	4-17	778238-0-00	6-7A-7B	923802-0-00	33	929307-0-00	26A-26B	931133-0-00	32
722480-2-00	11B	733512-2-00	34	743243-2-00	9	778294-0-00	9	923803-0-00	33	929423-0-00	13	931137-0-00	30

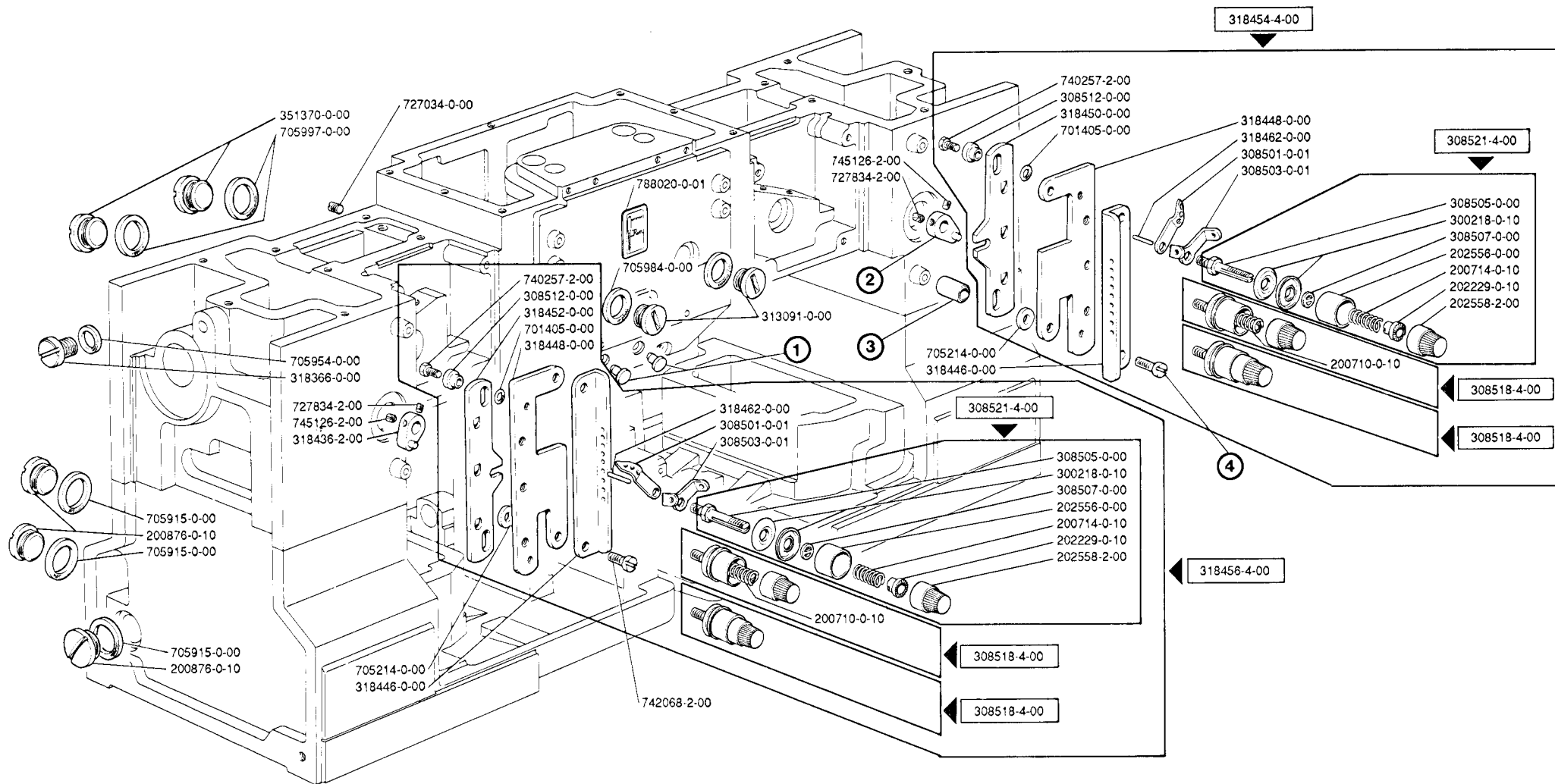


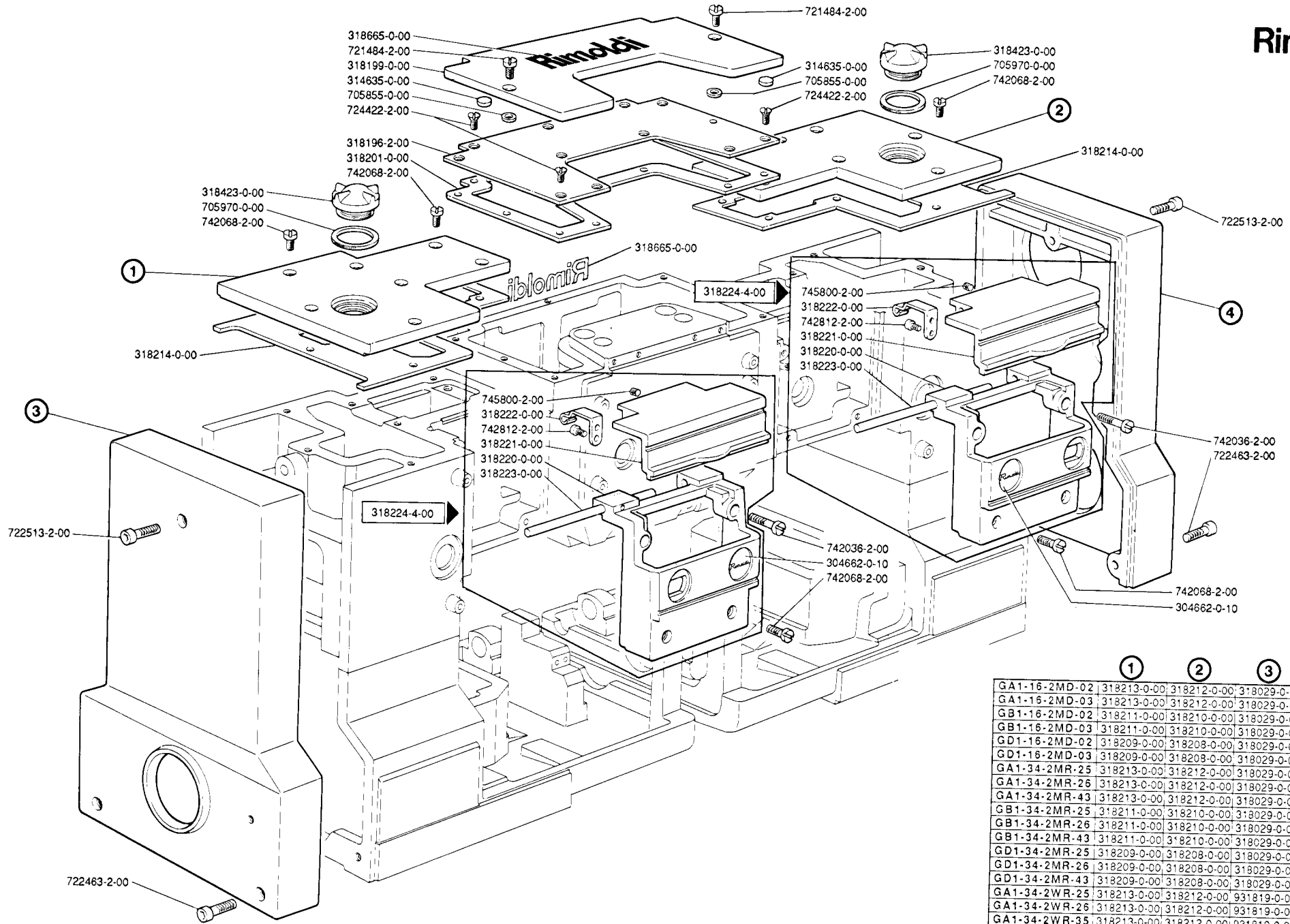
	①	②	③
GA1-16-2MD-02	318440-0-00	207893-0-00	303045-0-10
GA1-16-2MD-03	318440-0-00	207893-0-00	303045-0-10
GB1-16-2MD-02	318439-0-00	207893-0-00	303045-0-10
GB1-16-2MD-03	318439-0-00	207893-0-00	303045-0-10
GD1-16-2MD-02	318438-0-00	207893-0-00	303045-0-10
GD1-16-2MD-03	318438-0-00	207893-0-00	303045-0-10
GA1-34-2MR-25	318440-0-00	207893-0-00	721484-2-00
GA1-34-2MR-26	318440-0-00	207893-0-00	721484-2-00
GA1-34-2MR-43	318440-0-00	207893-0-00	721484-2-00
GB1-34-2MR-25	318439-0-00	207893-0-00	721484-2-00
GB1-34-2MR-26	318439-0-00	207893-0-00	721484-2-00
GB1-34-2MR-43	318439-0-00	207893-0-00	721484-2-00
GD1-34-2MR-25	318438-0-00	207893-0-00	721484-2-00
GD1-34-2MR-26	318438-0-00	207893-0-00	721484-2-00
GD1-34-2MR-43	318438-0-00	207893-0-00	721484-2-00
GA1-34-2WR-25	318440-0-00	---	303045-0-10
GA1-34-2WR-26	318440-0-00	---	303045-0-10
GA1-34-2WR-35	318440-0-00	---	303045-0-10
GA1-34-2WR-43	318440-0-00	---	303045-0-10
GB1-34-2WR-25	318439-0-00	---	303045-0-10
GB1-34-2WR-26	318439-0-00	---	303045-0-10
GB1-34-2WR-35	318439-0-00	---	303045-0-10
GB1-34-2WR-43	318439-0-00	---	303045-0-10
GD1-34-2WR-25	318438-0-00	---	303045-0-10
GD1-34-2WR-26	318438-0-00	---	303045-0-10
GD1-34-2WR-35	318438-0-00	---	303045-0-10
GD1-34-2WR-43	318438-0-00	---	303045-0-10



	①	②	③	④
GA1-16-2MD-02	318031-0-00	318436-2-00	---	742068-2-00
GA1-16-2MD-03	318031-0-00	318436-2-00	---	742068-2-00
GB1-16-2MD-02	318031-0-00	318436-2-00	---	742068-2-00
GB1-16-2MD-03	318031-0-00	318436-2-00	---	742068-2-00
GD1-16-2MD-02	318031-0-00	318436-2-00	---	742068-2-00
GD1-16-2MD-03	318031-0-00	318436-2-00	---	742068-2-00
GA1-34-2MR-25	318031-0-00	318436-2-00	---	742068-2-00
GA1-34-2MR-26	318031-0-00	318436-2-00	---	742068-2-00
GA1-34-2MR-43	318031-0-00	318436-2-00	---	742068-2-00
GB1-34-2MR-25	318031-0-00	318436-2-00	---	742068-2-00
GB1-34-2MR-26	318031-0-00	318436-2-00	---	742068-2-00
GB1-34-2MR-43	318031-0-00	318436-2-00	---	742068-2-00
GD1-34-2MR-25	318031-0-00	318436-2-00	---	742068-2-00
GD1-34-2MR-26	318031-0-00	318436-2-00	---	742068-2-00

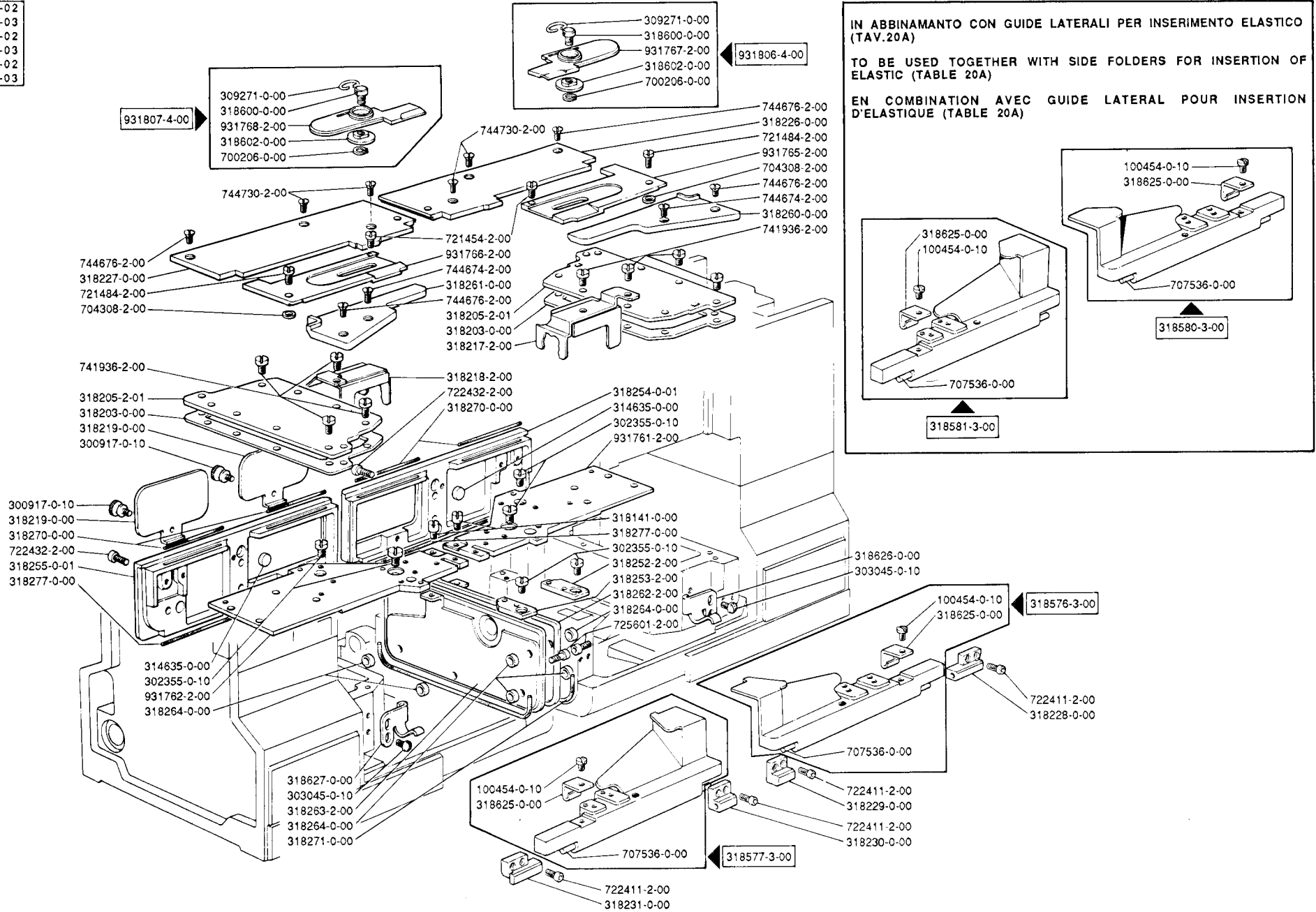
	①	②	③	④
GD1-34-2MR-43	318031-0-00	318436-2-00	---	742068-2-00
GA1-34-2WR-25	---	308497-2-01	931862-0-00	742086-0-00
GA1-34-2WR-26	---	308497-2-01	931862-0-00	742086-2-00
GA1-34-2WR-35	---	308497-2-01	931862-0-00	742086-2-00
GA1-34-2WR-43	---	308497-2-01	931862-0-00	742086-2-00
GB1-34-2WR-25	---	308497-2-01	931862-0-00	742086-2-00
GB1-34-2WR-26	---	308497-2-01	931862-0-00	742086-2-00
GB1-34-2WR-35	---	308497-2-01	931862-0-00	742086-2-00
GB1-34-2WR-43	---	308497-2-01	931862-0-00	742086-2-00
GD1-34-2WR-25	---	308497-2-01	931862-0-00	742086-2-00
GD1-34-2WR-26	---	308497-2-01	931862-0-00	742086-2-00
GD1-34-2WR-35	---	308497-2-01	931862-0-00	742086-2-00
GD1-34-2WR-43	---	308497-2-01	931862-0-00	742086-2-00





	①	②	③	④
GA1-16-2MD-02	318213-0-00	318212-0-00	318029-0-00	318028-0-00
GA1-16-2MD-03	318213-0-00	318212-0-00	318029-0-00	318028-0-00
GB1-16-2MD-02	318211-0-00	318210-0-00	318029-0-00	318028-0-00
GB1-16-2MD-03	318211-0-00	318210-0-00	318029-0-00	318028-0-00
GD1-16-2MD-02	318209-0-00	318208-0-00	318029-0-00	318028-0-00
GD1-16-2MD-03	318209-0-00	318208-0-00	318029-0-00	318028-0-00
GA1-34-2MR-25	318213-0-00	318212-0-00	318029-0-00	318028-0-00
GA1-34-2MR-26	318213-0-00	318212-0-00	318029-0-00	318028-0-00
GA1-34-2MR-43	318213-0-00	318212-0-00	318029-0-00	318028-0-00
GB1-34-2MR-25	318211-0-00	318210-0-00	318029-0-00	318028-0-00
GB1-34-2MR-26	318211-0-00	318210-0-00	318029-0-00	318028-0-00
GB1-34-2MR-43	318211-0-00	318210-0-00	318029-0-00	318028-0-00
GD1-34-2MR-25	318209-0-00	318208-0-00	318029-0-00	318028-0-00
GD1-34-2MR-26	318209-0-00	318208-0-00	318029-0-00	318028-0-00
GD1-34-2MR-43	318209-0-00	318208-0-00	318029-0-00	318028-0-00
GA1-34-2WR-25	318213-0-00	318212-0-00	931819-0-00	931867-0-00
GA1-34-2WR-26	318213-0-00	318212-0-00	931819-0-00	931867-0-00
GA1-34-2WR-35	318213-0-00	318212-0-00	931819-0-00	931867-0-00
GA1-34-2WR-43	318213-0-00	318212-0-00	931819-0-00	931867-0-00
GB1-34-2WR-25	318211-0-00	318210-0-00	931819-0-00	931867-0-00
GB1-34-2WR-26	318211-0-00	318210-0-00	931819-0-00	931867-0-00
GB1-34-2WR-35	318211-0-00	318210-0-00	931819-0-00	931867-0-00
GB1-34-2WR-43	318211-0-00	318210-0-00	931819-0-00	931867-0-00
GD1-34-2WR-25	318209-0-00	318208-0-00	931819-0-00	931867-0-00
GD1-34-2WR-26	318209-0-00	318208-0-00	931819-0-00	931867-0-00
GD1-34-2WR-35	318209-0-00	318208-0-00	931819-0-00	931867-0-00
GD1-34-2WR-43	318209-0-00	318208-0-00	931819-0-00	931867-0-00

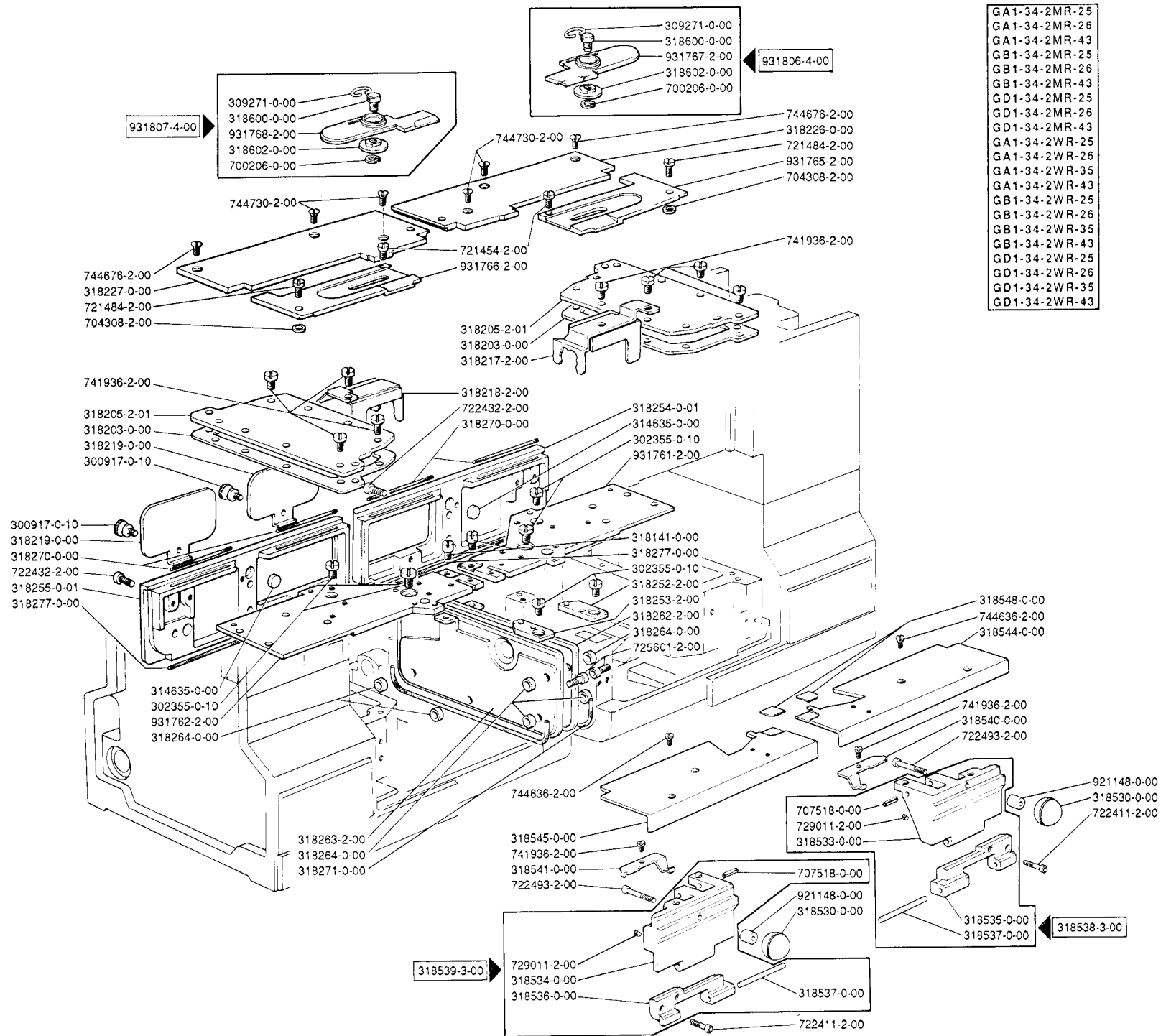
- GA1-16-2MD-02
- GA1-16-2MD-03
- GB1-16-2MD-02
- GB1-16-2MD-03
- GD1-16-2MD-02
- GD1-16-2MD-03



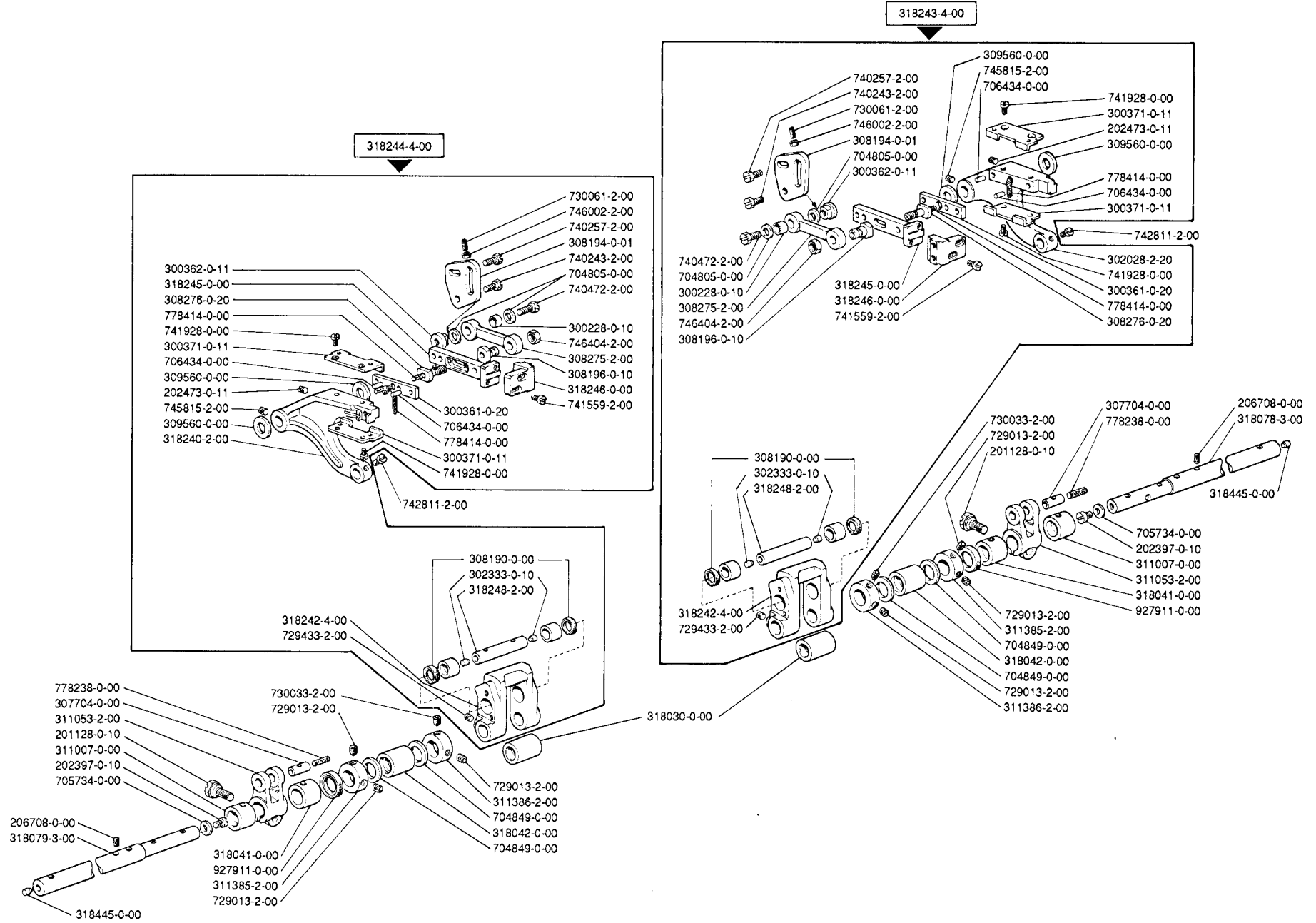
IN ABBINAMENTO CON GUIDE LATERALI PER INSERIMENTO ELASTICO (TAV.20A)

TO BE USED TOGETHER WITH SIDE FOLDERS FOR INSERTION OF ELASTIC (TABLE 20A)

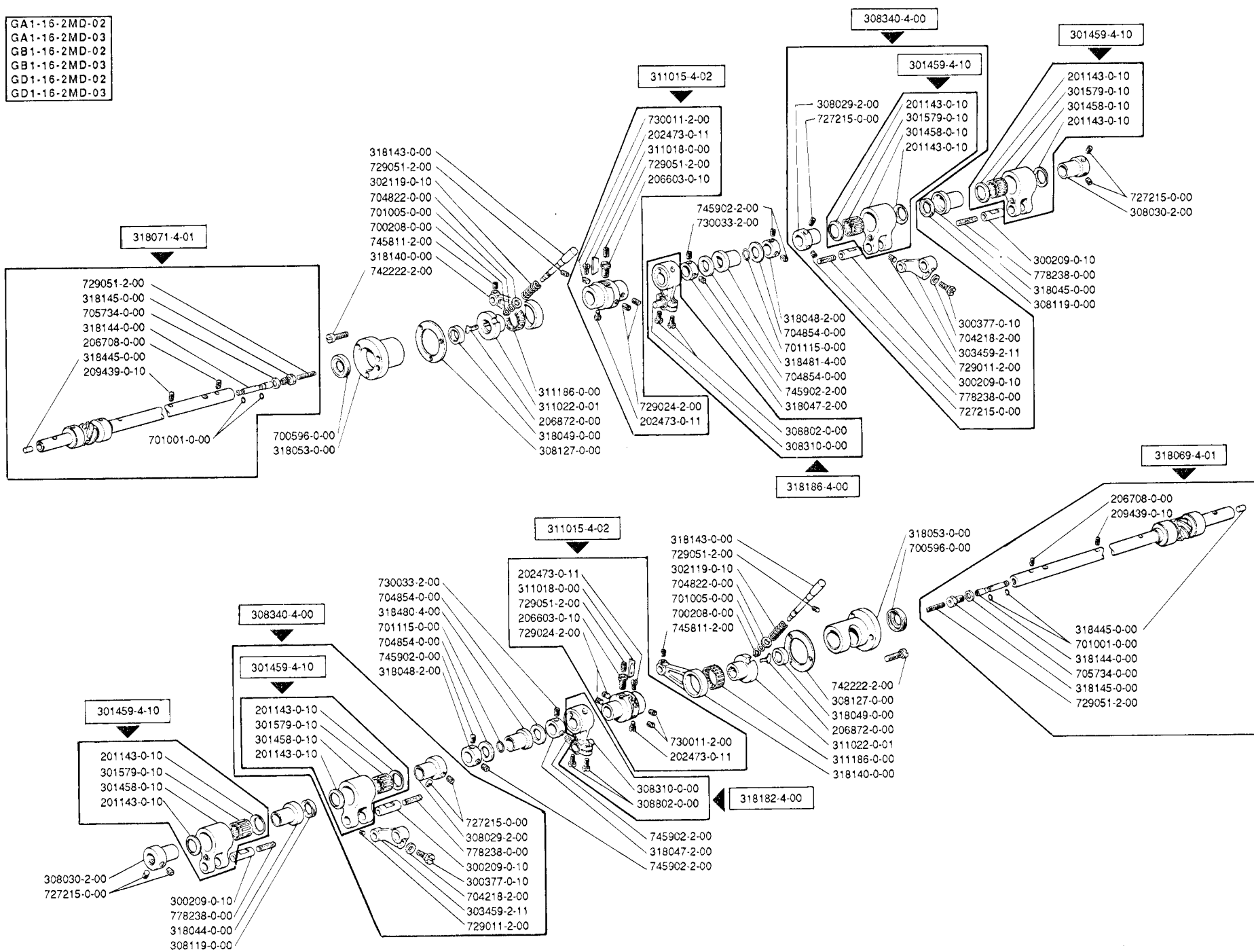
EN COMBINATION AVEC GUIDE LATERAL POUR INSERTION D'ELASTIQUE (TABLE 20A)



- GA1-34-2MR-25
- GA1-34-2MR-26
- GA1-34-2MR-43
- GB1-34-2MR-25
- GB1-34-2MR-26
- GB1-34-2MR-43
- GD1-34-2MR-25
- GD1-34-2MR-26
- GD1-34-2MR-43
- GA1-34-2WR-25
- GA1-34-2WR-26
- GA1-34-2WR-35
- GA1-34-2WR-43
- GB1-34-2WR-25
- GB1-34-2WR-26
- GB1-34-2WR-35
- GB1-34-2WR-43
- GD1-34-2WR-25
- GD1-34-2WR-26
- GD1-34-2WR-35
- GD1-34-2WR-43

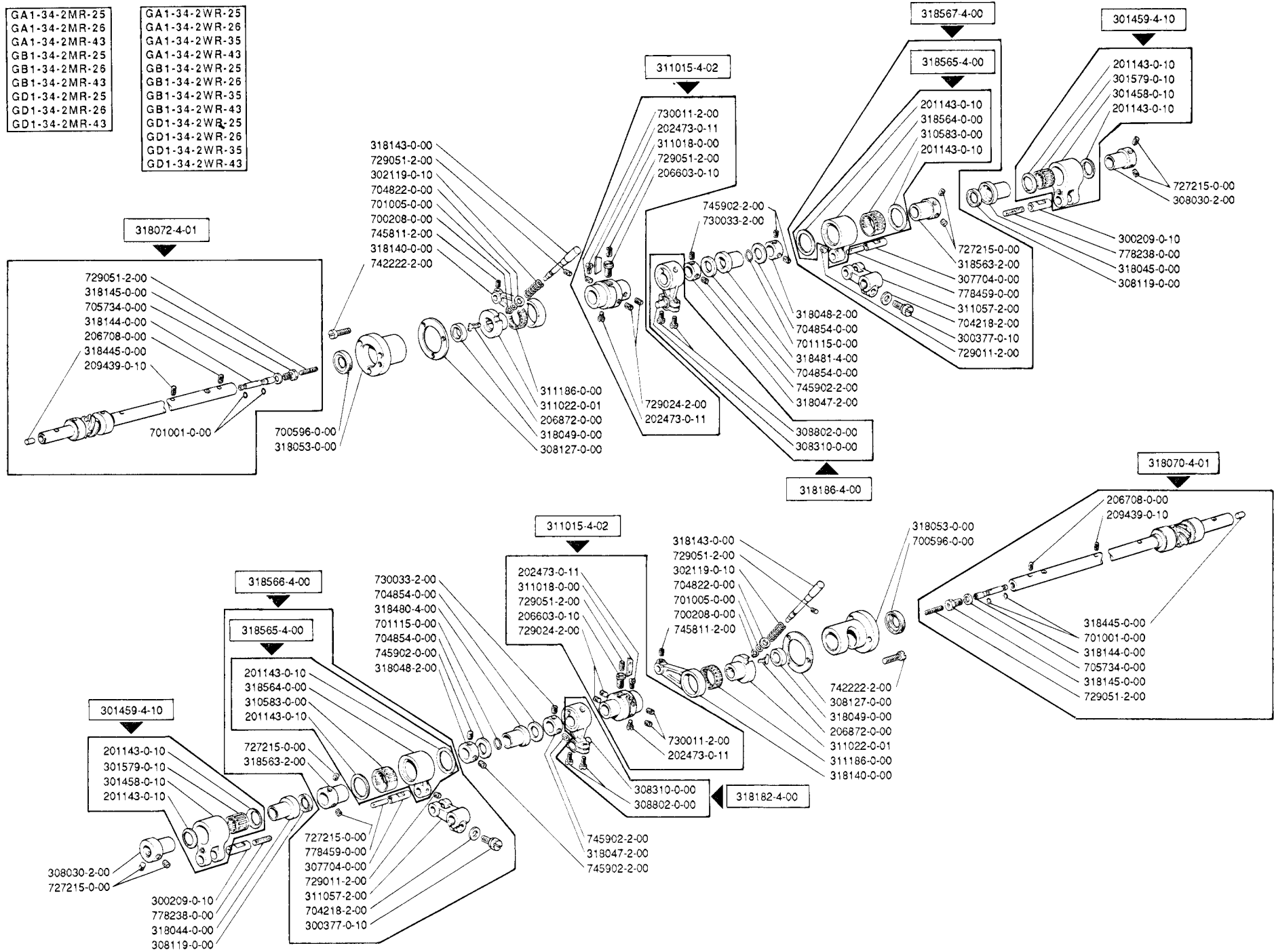


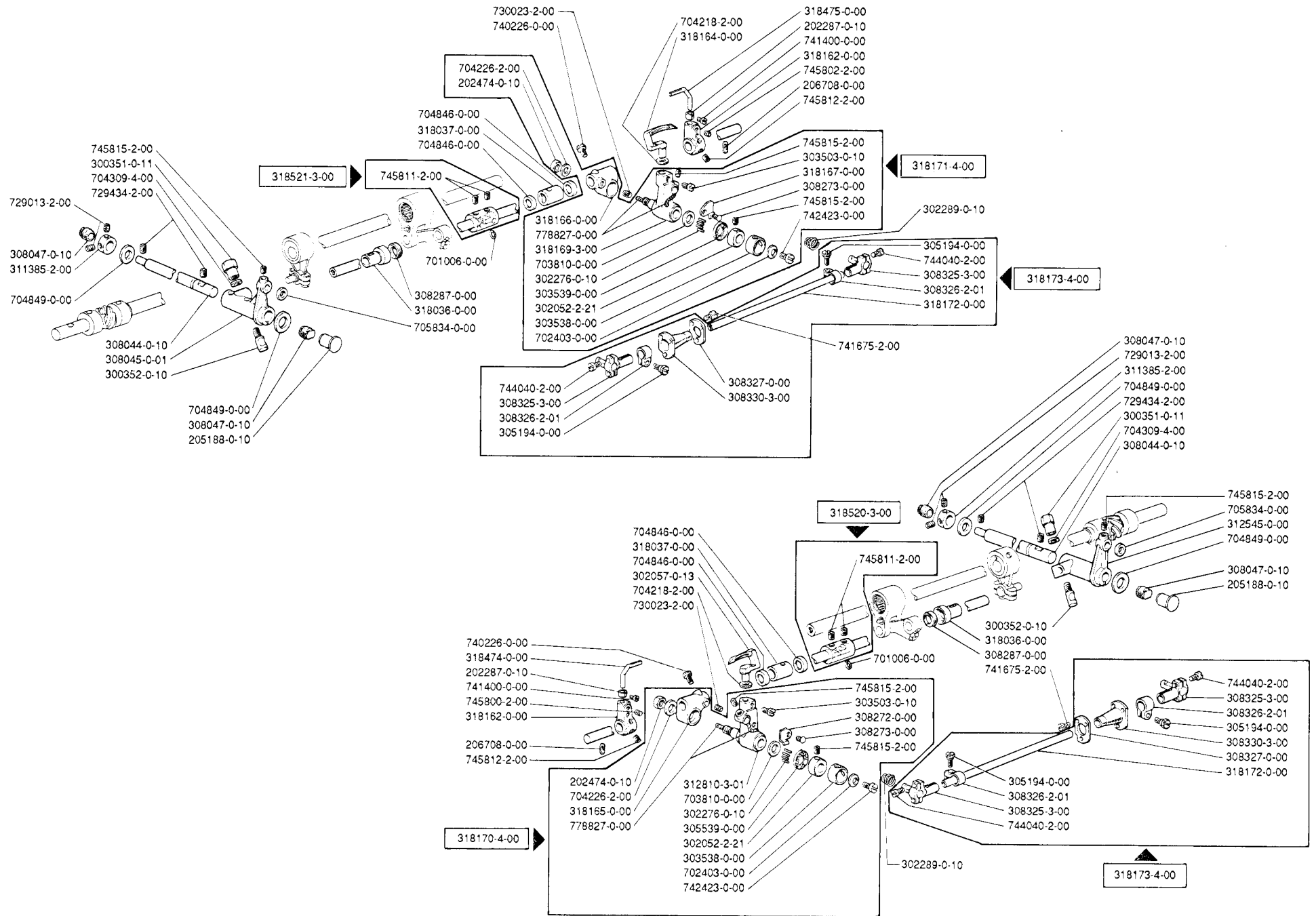
- GA1-16-2MD-02
- GA1-16-2MD-03
- GB1-16-2MD-02
- GB1-16-2MD-03
- GD1-16-2MD-02
- GD1-16-2MD-03



- GA1-34-2MR-25
- GA1-34-2MR-26
- GA1-34-2MR-43
- GB1-34-2MR-25
- GB1-34-2MR-26
- GB1-34-2MR-43
- GD1-34-2MR-25
- GD1-34-2MR-26
- GD1-34-2MR-43

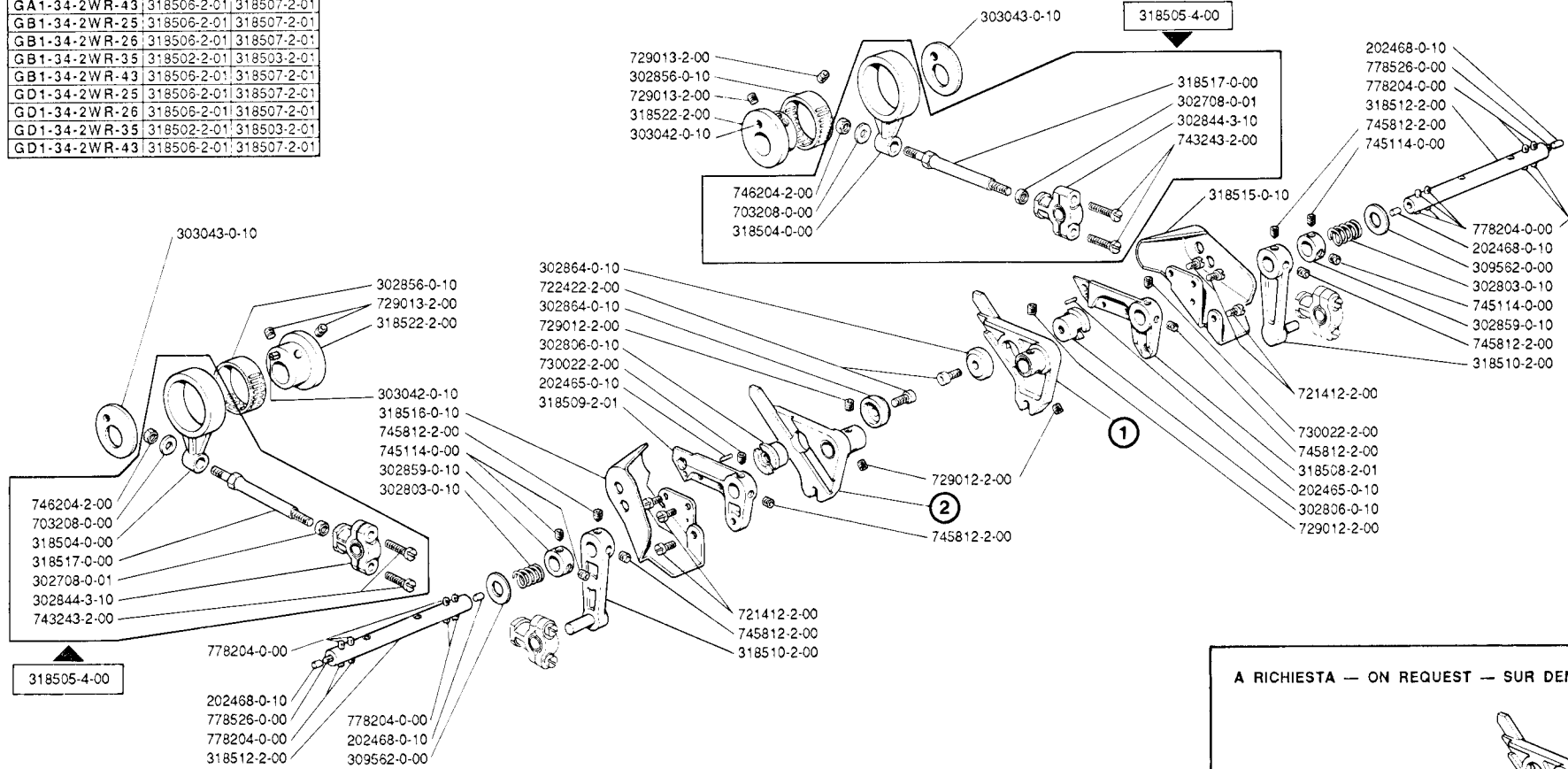
- GA1-34-2WR-25
- GA1-34-2WR-26
- GA1-34-2WR-35
- GA1-34-2WR-43
- GB1-34-2WR-25
- GB1-34-2WR-26
- GB1-34-2WR-35
- GB1-34-2WR-43
- GD1-34-2WR-25
- GD1-34-2WR-26
- GD1-34-2WR-35
- GD1-34-2WR-43





① ②

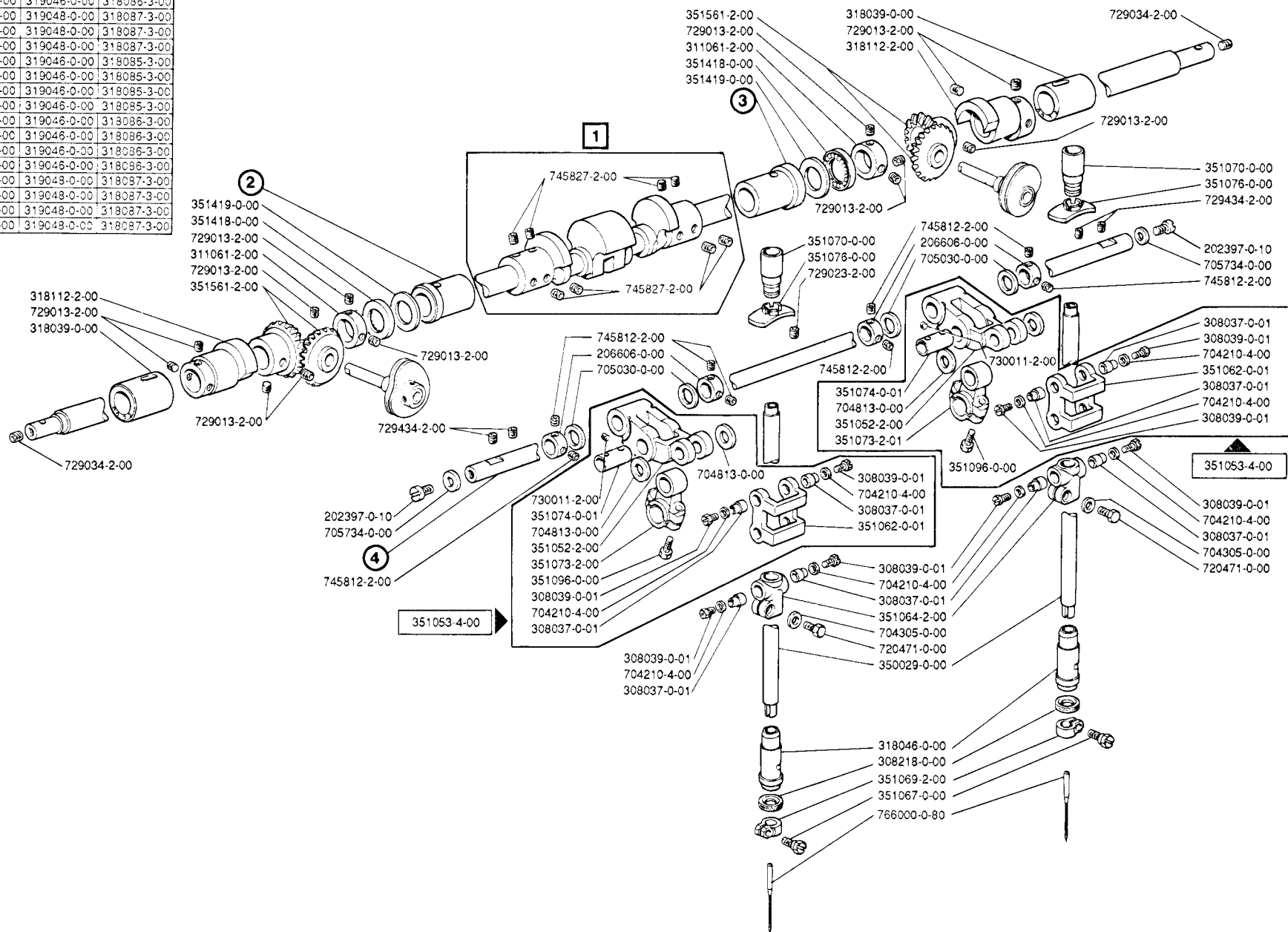
GA1-34-2MR-25	318506-2-01	318507-2-01
GA1-34-2MR-26	318506-2-01	318507-2-01
GA1-34-2MR-43	318506-2-01	318507-2-01
GB1-34-2MR-25	318506-2-01	318507-2-01
GB1-34-2MR-26	318506-2-01	318507-2-01
GB1-34-2MR-43	318506-2-01	318507-2-01
GD1-34-2MR-25	318506-2-01	318507-2-01
GD1-34-2MR-26	318506-2-01	318507-2-01
GD1-34-2MR-43	318506-2-01	318507-2-01
GA1-34-2WR-25	318506-2-01	318507-2-01
GA1-34-2WR-26	318506-2-01	318507-2-01
GA1-34-2WR-35	318502-2-01	318503-2-01
GA1-34-2WR-43	318506-2-01	318507-2-01
GB1-34-2WR-25	318506-2-01	318507-2-01
GB1-34-2WR-26	318506-2-01	318507-2-01
GB1-34-2WR-35	318502-2-01	318503-2-01
GB1-34-2WR-43	318506-2-01	318507-2-01
GD1-34-2WR-25	318506-2-01	318507-2-01
GD1-34-2WR-26	318506-2-01	318507-2-01
GD1-34-2WR-35	318502-2-01	318503-2-01
GD1-34-2WR-43	318506-2-01	318507-2-01



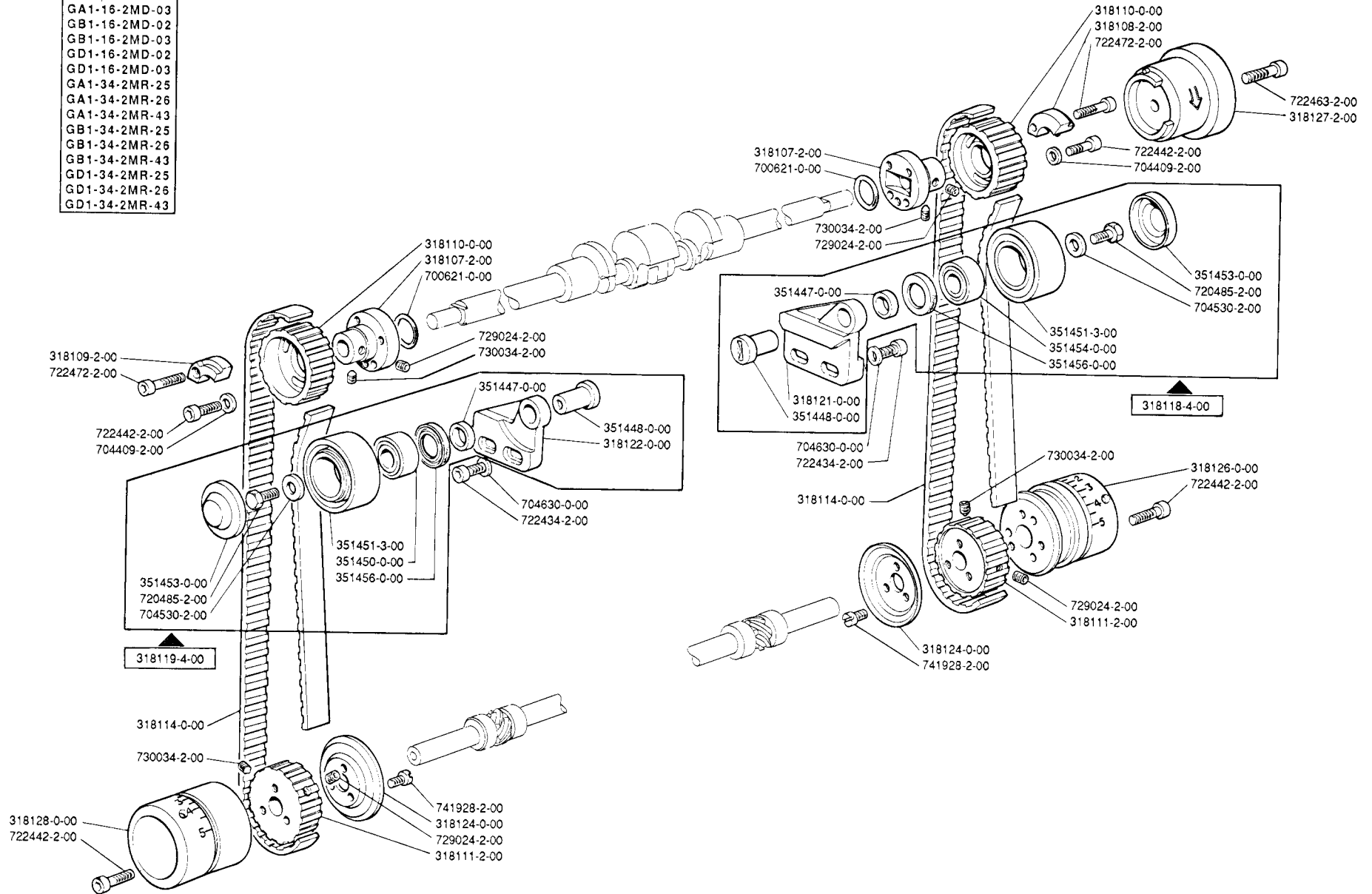
A RICHIESTA — ON REQUEST — SUR DEMANDE

318502-2-01
318503-2-01

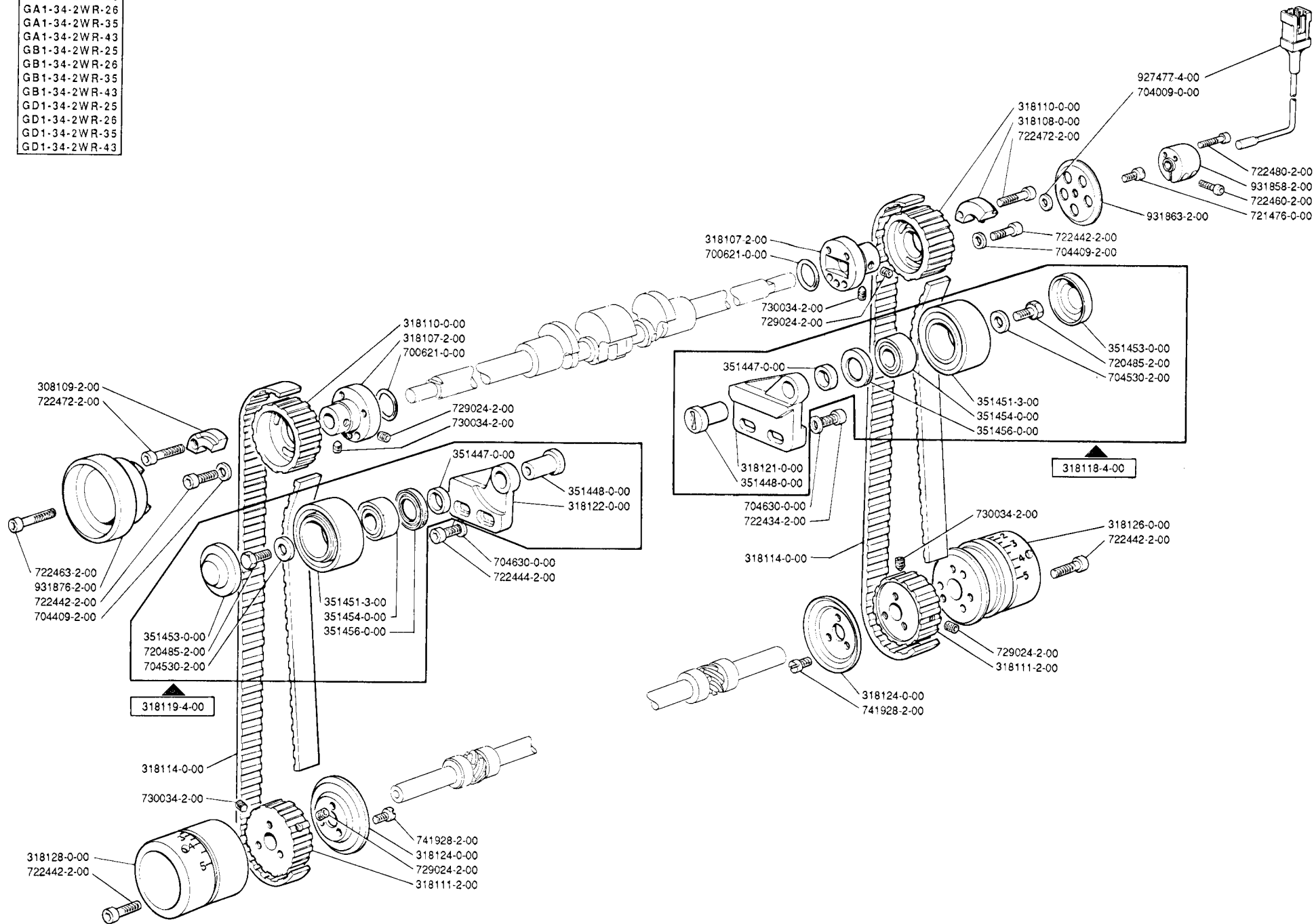
	1	2	3	4
GA1-16-2MD-02	318099-3-00	319047-0-00	319046-0-00	318085-3-00
GA1-16-2MD-03	318099-3-00	319047-0-00	319046-0-00	318085-3-00
GB1-16-2MD-02	318100-3-00	319047-0-00	319046-0-00	318086-3-00
GB1-16-2MD-03	318100-3-00	319047-0-00	319046-0-00	318086-3-00
GD1-16-2MD-02	318101-3-00	319049-0-00	319048-0-00	318087-3-00
GD1-16-2MD-03	318101-3-00	319049-0-00	319048-0-00	318087-3-00
GA1-34-2MR-25	318099-3-00	319047-0-00	319046-0-00	318085-3-00
GA1-34-2MR-26	318099-3-00	319047-0-00	319046-0-00	318085-3-00
GA1-34-2MR-43	318099-3-00	319047-0-00	319046-0-00	318085-3-00
GB1-34-2MR-25	318100-3-00	319047-0-00	319046-0-00	318086-3-00
GB1-34-2MR-26	318100-3-00	319047-0-00	319046-0-00	318086-3-00
GB1-34-2MR-43	318100-3-00	319047-0-00	319046-0-00	318086-3-00
GD1-34-2MR-25	318101-3-00	319049-0-00	319048-0-00	318087-3-00
GD1-34-2MR-26	318101-3-00	319049-0-00	319048-0-00	318087-3-00
GD1-34-2MR-43	318101-3-00	319049-0-00	319048-0-00	318087-3-00
GA1-34-2WR-25	318099-3-00	319047-0-00	319046-0-00	318085-3-00
GA1-34-2WR-26	318099-3-00	319047-0-00	319046-0-00	318085-3-00
GA1-34-2WR-35	318099-3-00	319047-0-00	319046-0-00	318085-3-00
GA1-34-2WR-43	318099-3-00	319047-0-00	319046-0-00	318085-3-00
GB1-34-2WR-25	318100-3-00	319047-0-00	319046-0-00	318086-3-00
GB1-34-2WR-26	318100-3-00	319047-0-00	319046-0-00	318086-3-00
GB1-34-2WR-35	318100-3-00	319047-0-00	319046-0-00	318086-3-00
GB1-34-2WR-43	318100-3-00	319047-0-00	319046-0-00	318086-3-00
GD1-34-2WR-25	318101-3-00	319049-0-00	319048-0-00	318087-3-00
GD1-34-2WR-26	318101-3-00	319049-0-00	319048-0-00	318087-3-00
GD1-34-2WR-35	318101-3-00	319049-0-00	319048-0-00	318087-3-00
GD1-34-2WR-43	318101-3-00	319049-0-00	319048-0-00	318087-3-00

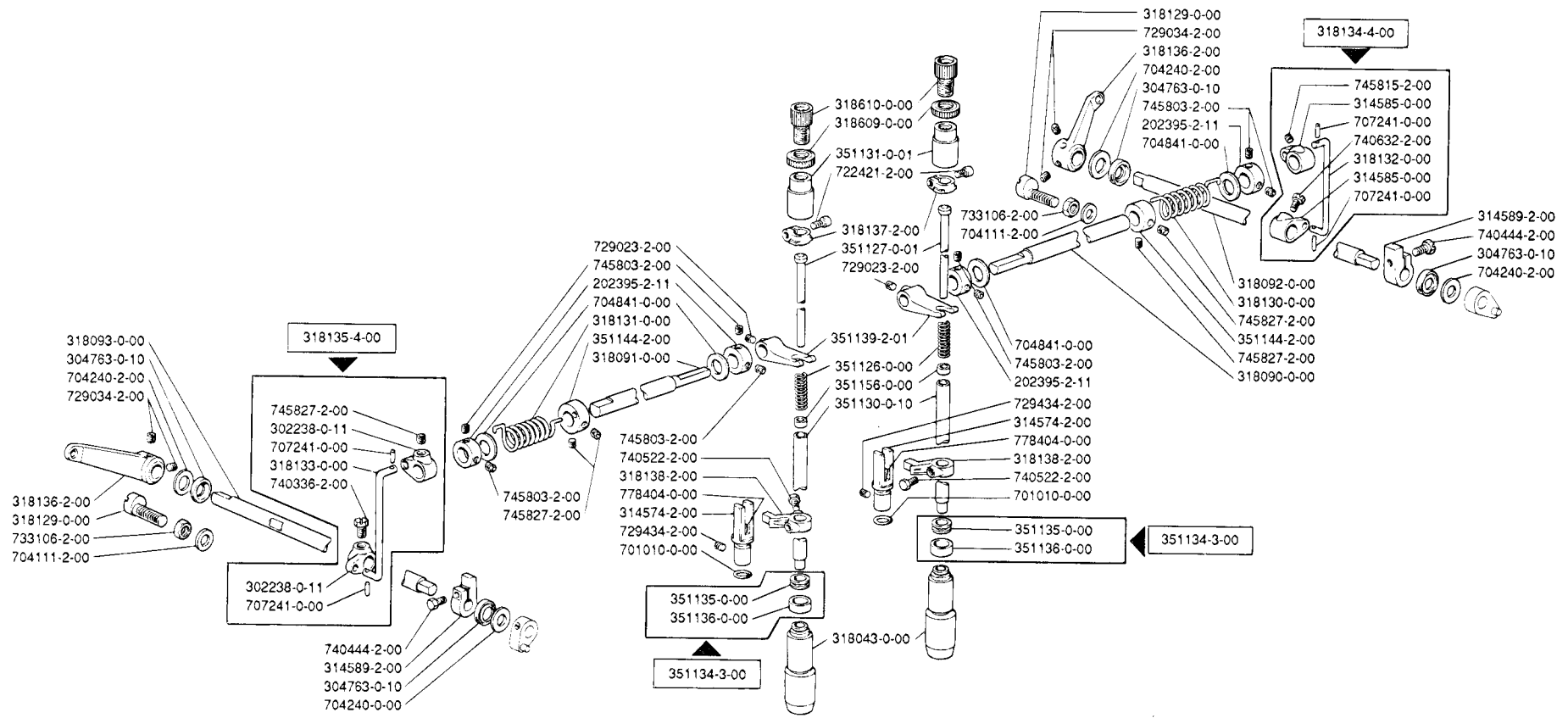


GA1-16-2MD-02
GA1-16-2MD-03
GB1-16-2MD-02
GB1-16-2MD-03
GD1-16-2MD-02
GD1-16-2MD-03
GA1-34-2MR-25
GA1-34-2MR-26
GA1-34-2MR-43
GB1-34-2MR-25
GB1-34-2MR-26
GB1-34-2MR-43
GD1-34-2MR-25
GD1-34-2MR-26
GD1-34-2MR-43

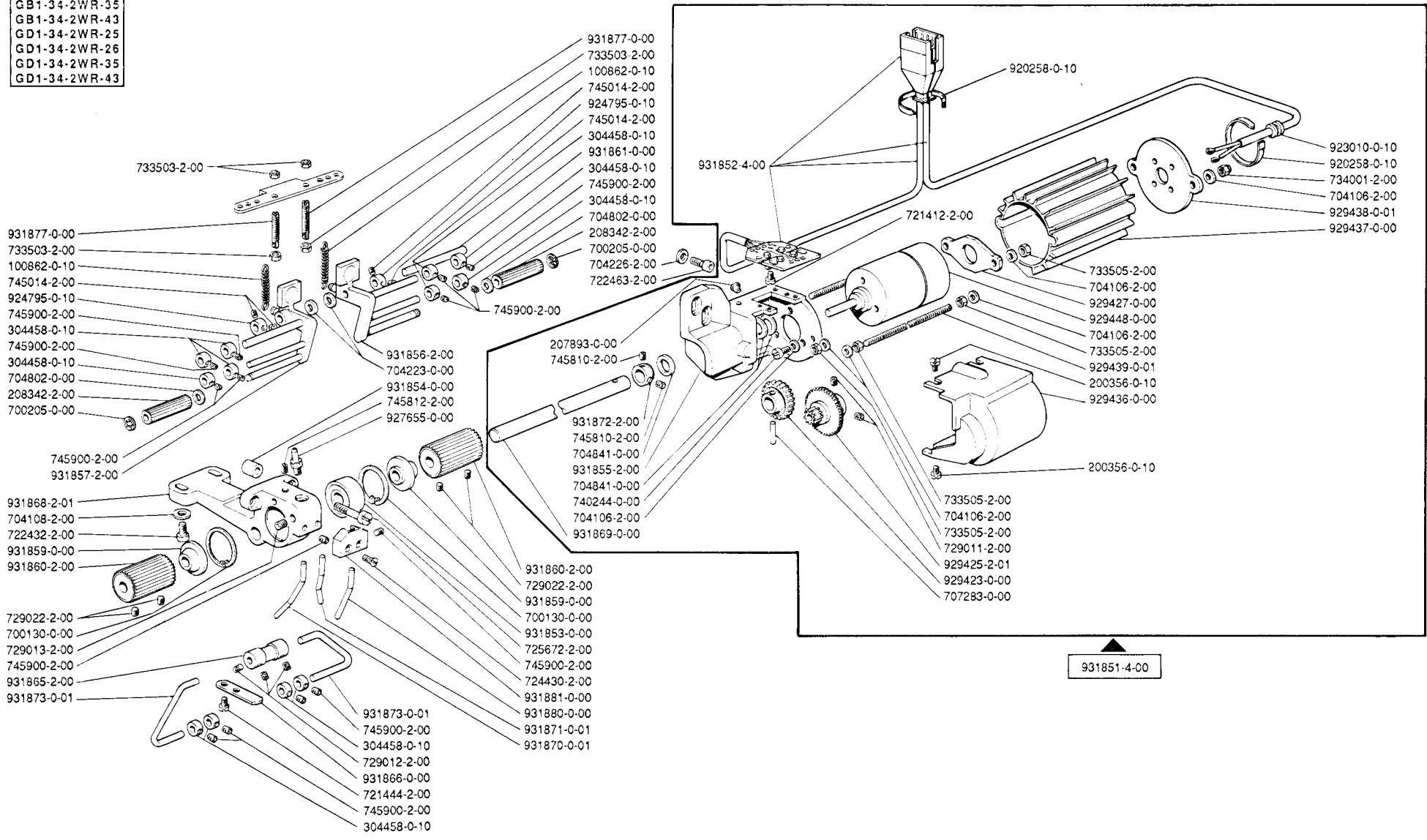


- GA1-34-2WR-25
- GA1-34-2WR-26
- GA1-34-2WR-35
- GA1-34-2WR-43
- GB1-34-2WR-25
- GB1-34-2WR-26
- GB1-34-2WR-35
- GB1-34-2WR-43
- GD1-34-2WR-25
- GD1-34-2WR-26
- GD1-34-2WR-35
- GD1-34-2WR-43

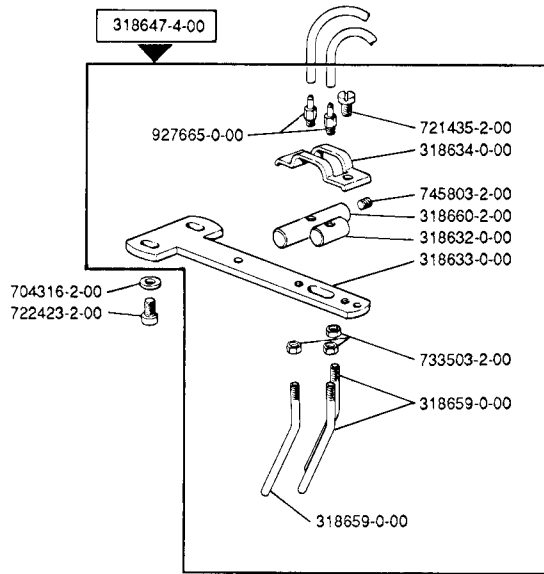




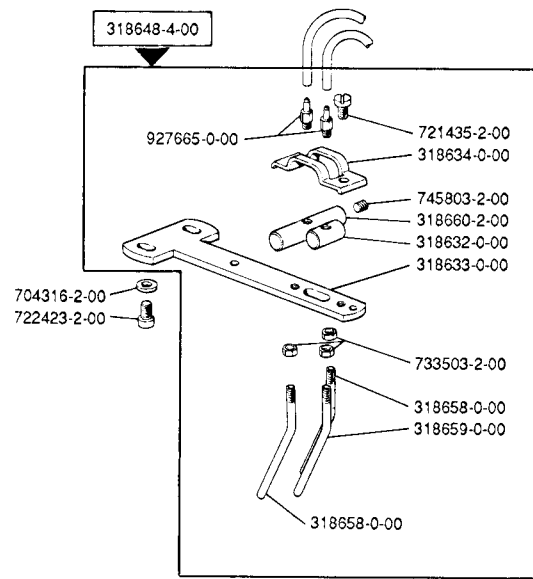
- GA1-34-2WR-25
- GA1-34-2WR-26
- GA1-34-2WR-35
- GA1-34-2WR-43
- GB1-34-2WR-25
- GB1-34-2WR-26
- GB1-34-2WR-35
- GB1-34-2WR-43
- GD1-34-2WR-25
- GD1-34-2WR-26
- GD1-34-2WR-35
- GD1-34-2WR-43



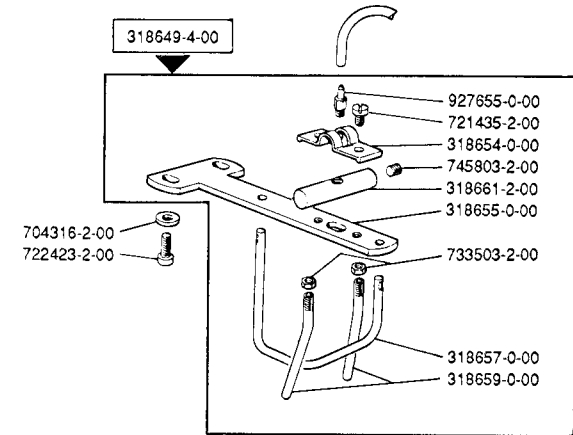
GA1-16-2MD-02
GA1-16-2MD-03



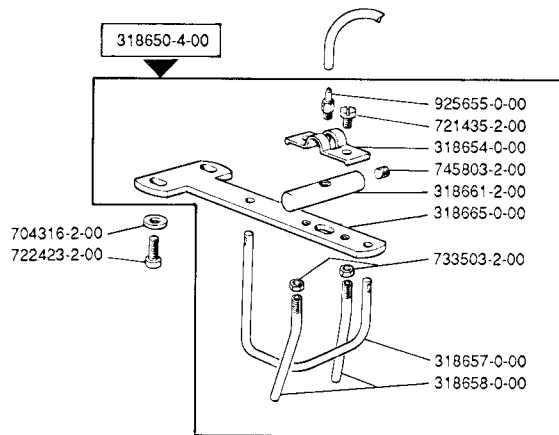
GD1-34-2MR-25
GD1-34-2MR-26
GD1-34-2MR-43



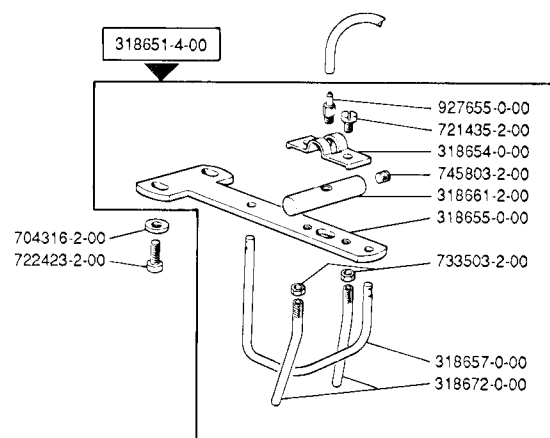
GB1-16-2MD-02
GB1-16-2MD-03



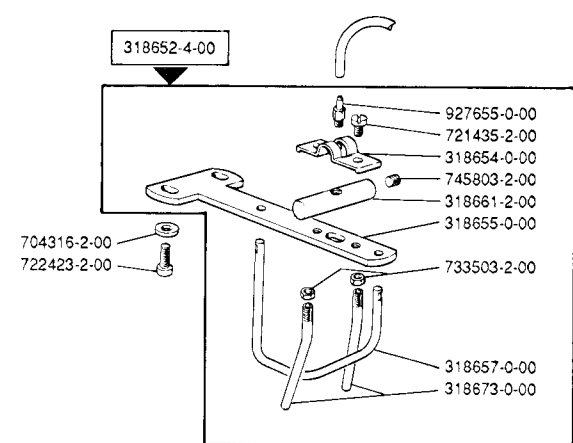
GA1-34-2MR-25
GA1-34-2MR-26
GA1-34-2MR-43

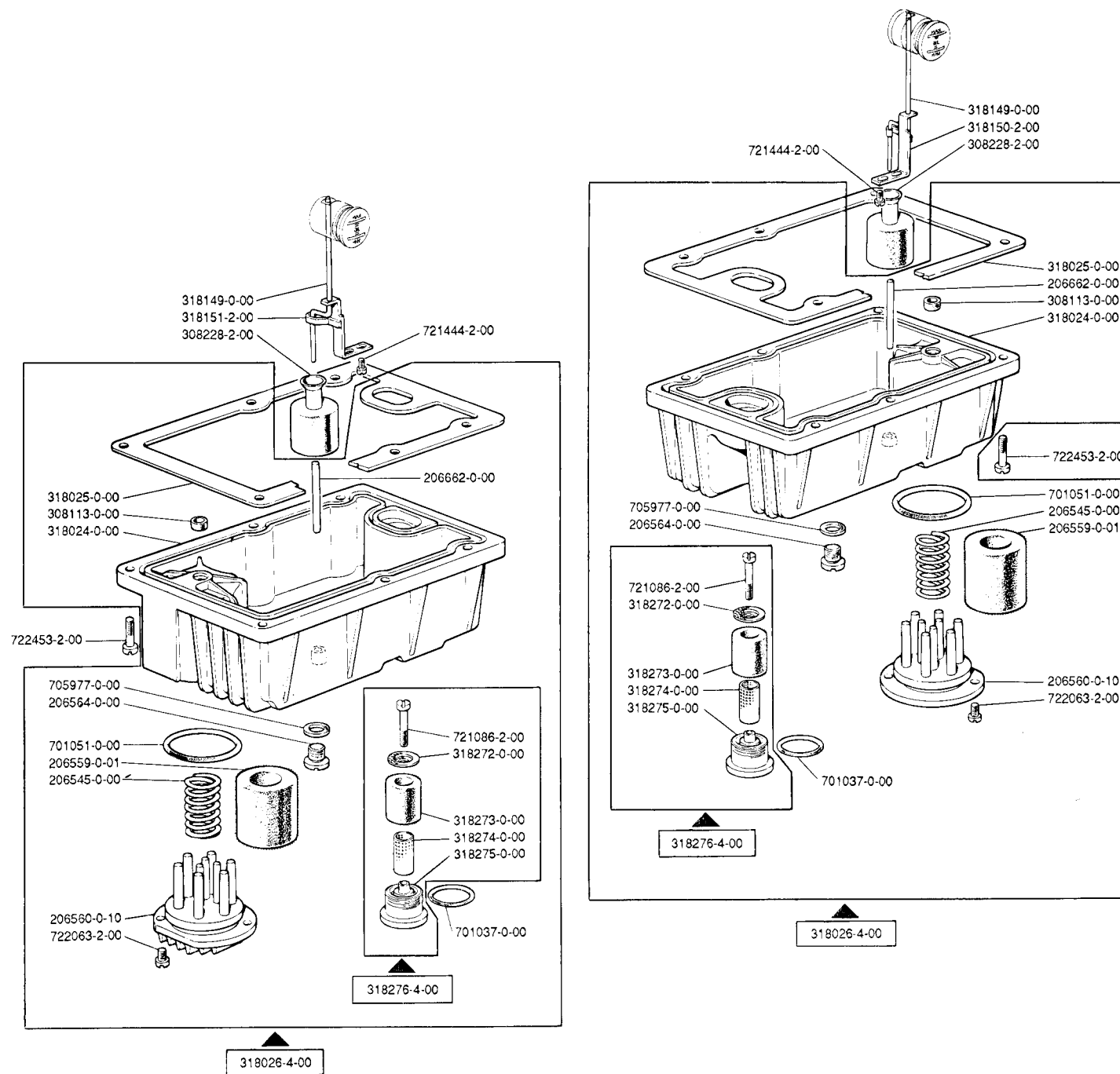


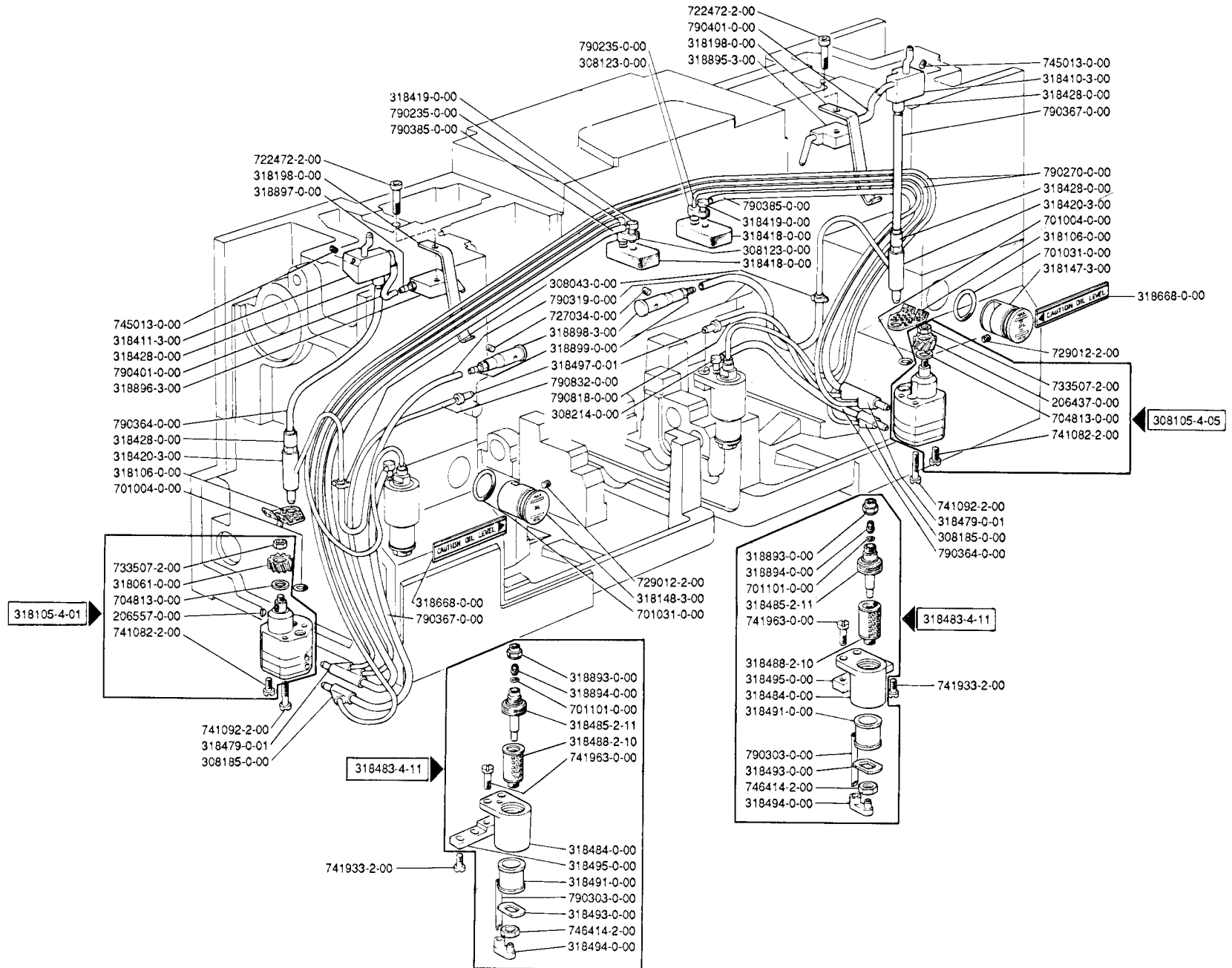
GD1-16-2MD-02
GD1-16-2MD-03



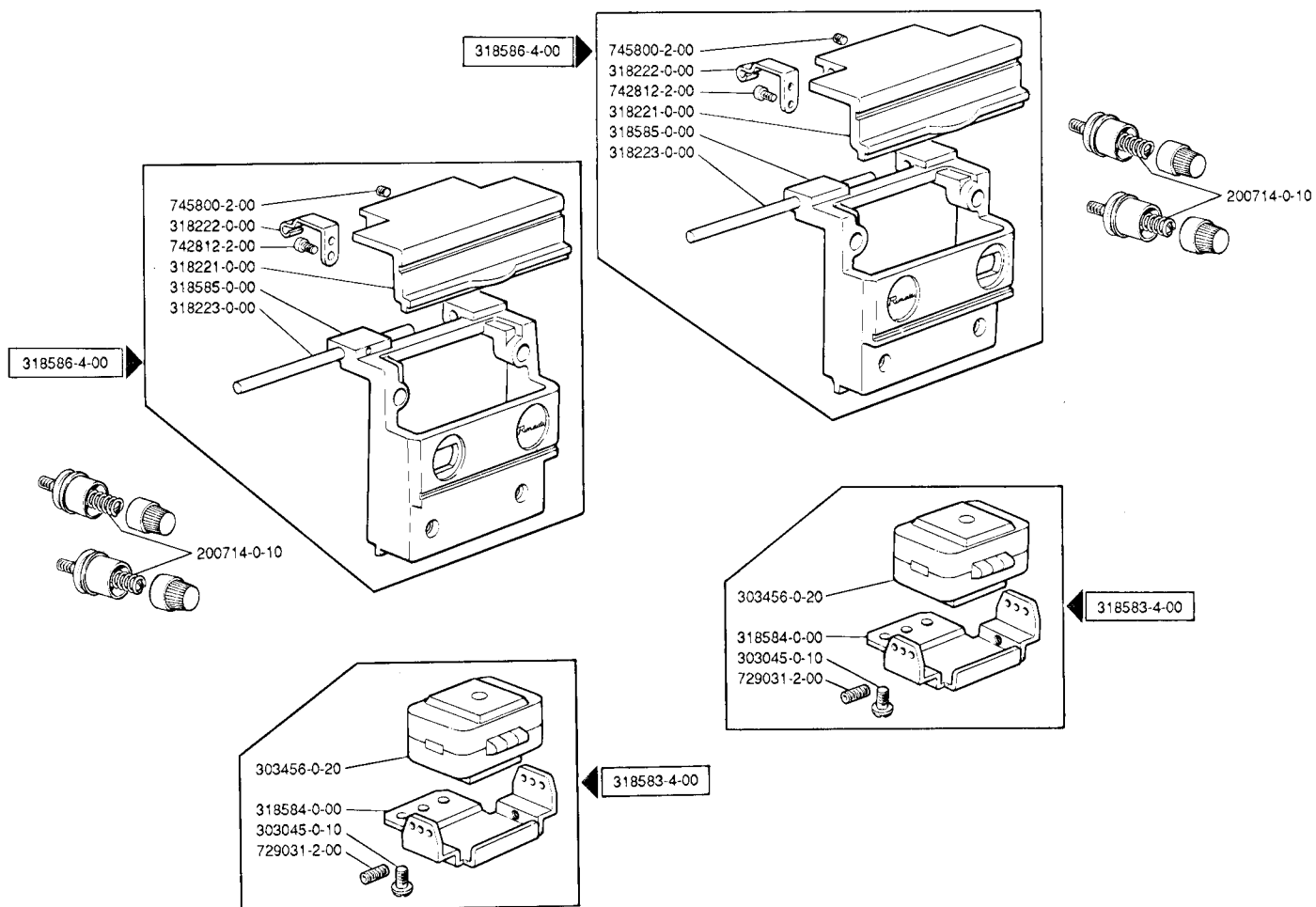
GB1-34-2MR-25
GB1-34-2MR-26
GB1-34-2MR-43



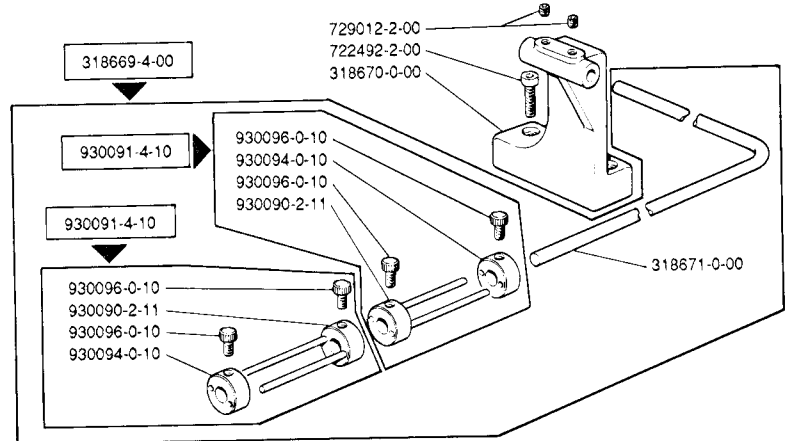




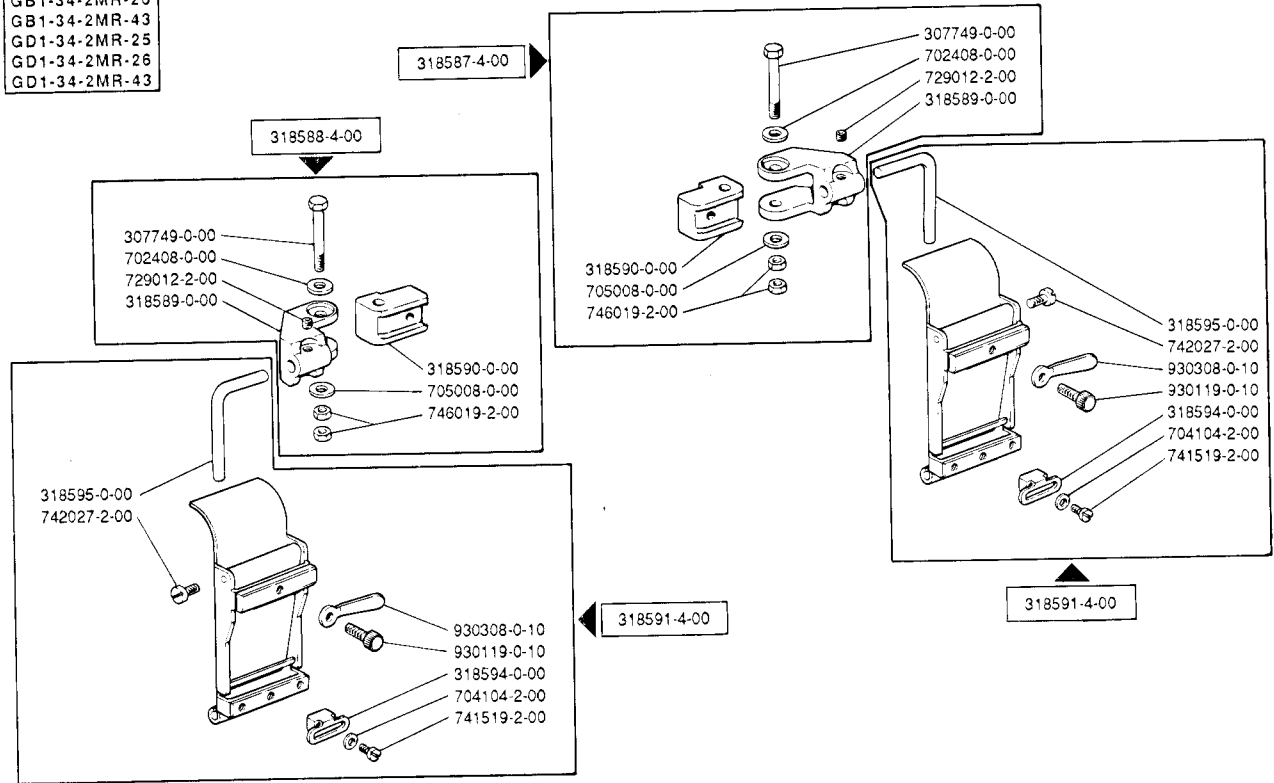
A RICHIESTA — ON REQUEST — SUR DEMANDE



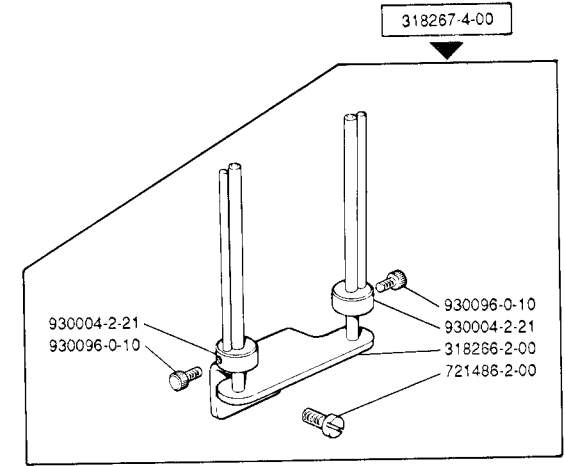
- GA1-34-2MR-25
- GA1-34-2MR-26
- GA1-34-2MR-43
- GB1-34-2MR-25
- GB1-34-2MR-26
- GB1-34-2MR-43
- GD1-34-2MR-25
- GD1-34-2MR-26
- GD1-34-2MR-43
- GA1-34-2WR-25
- GA1-34-2WR-26
- GA1-34-2WR-35
- GA1-34-2WR-43
- GB1-34-2WR-25
- GB1-34-2WR-26
- GB1-34-2WR-35
- GB1-34-2WR-43
- GD1-34-2WR-25
- GD1-34-2WR-26
- GD1-34-2WR-35
- GD1-34-2WR-43



- GA1-34-2MR-25
- GA1-34-2MR-26
- GA1-34-2MR-43
- GB1-34-2MR-25
- GB1-34-2MR-26
- GB1-34-2MR-43
- GD1-34-2MR-25
- GD1-34-2MR-26
- GD1-34-2MR-43

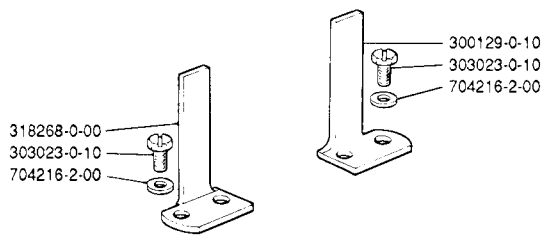


- GA1-16-2MD-02
- GA1-16-2MD-03
- GB1-16-2MD-02
- GB1-16-2MD-03
- GD1-16-2MD-02
- GD1-16-2MD-03



A RICHIESTA — ON REQUEST — SUR DEMANDE

- GA1-16-2MD-02
- GA1-16-2MD-03
- GB1-16-2MD-02
- GB1-16-2MD-03
- GD1-16-2MD-02
- GD1-16-2MD-03



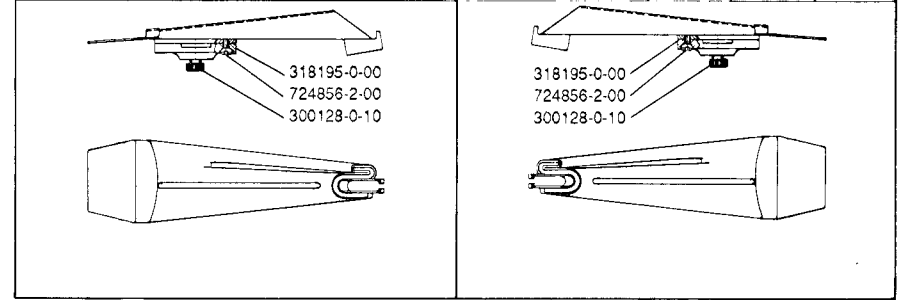
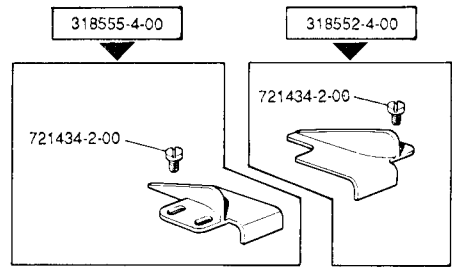
- GA1-16-2MD-02
- GA1-16-2MD-03
- GB1-16-2MD-02
- GB1-16-2MD-03
- GD1-16-2MD-02
- GD1-16-2MD-03

PER COLLARETTO
FOR COLLARETTE
POUR COLERETTE

SIMBOLO SYMBOL SYMBOLE				SIMBOLO SYMBOL SYMBOLE			
761502-0-00	12,5	1,7	32	761002-0-00	12,5	1,7	32
761504-0-00	16	1,7	38	761004-0-00	16	1,7	38
761505-0-00	16	2,7	38	761005-0-00	16	2,7	38
761507-0-00	19	2	44,5	761007-0-00	19	2	44,5
761509-0-00	15	1,7	36	761009-0-00	15	1,7	36
761510-0-00	22	2	51	761010-0-00	22	2	51
761512-0-00	15	2	41	761012-0-00	15	2	41
761513-0-00	25,5	2	57	761013-0-00	25,5	2	57

- GA1-34-2MR-25
- GA1-34-2MR-26
- GA1-34-2MR-43
- GB1-34-2MR-25
- GB1-34-2MR-26
- GB1-34-2MR-43
- GD1-34-2MR-25
- GD1-34-2MR-26
- GD1-34-2MR-43

- GA1-34-2WR-25
- GA1-34-2WR-26
- GA1-34-2WR-35
- GA1-34-2WR-43
- GA1-34-2WR-25
- GA1-34-2WR-26
- GA1-34-2WR-35
- GA1-34-2WR-43
- GD1-34-2WR-25
- GD1-34-2WR-26
- GD1-34-2WR-35
- GD1-34-2WR-43



PER COLLARETTO CON INSERIMENTO DI ELASTICO
FOR COLLARETTE WITH INSERTION OF ELASTIC
POUR COLLARETTE AVEC INSERTION D'ELASTIQUE

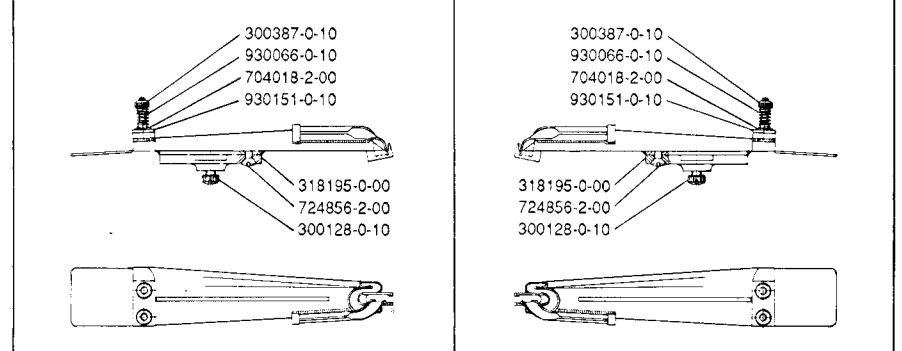
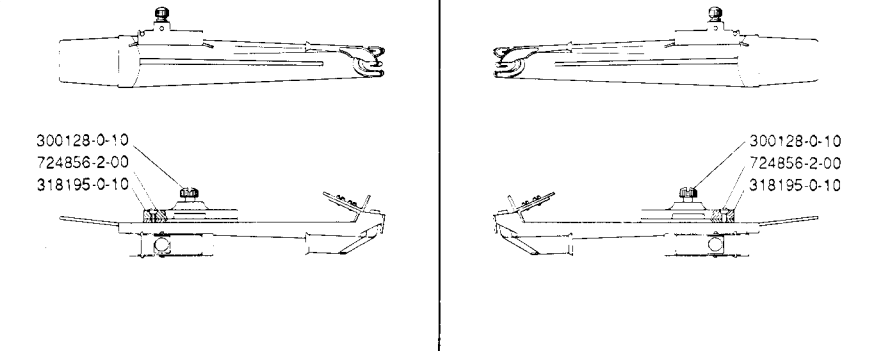
PER COLLARETTO CON INSERIMENTO DI ELASTICO
FOR COLLARETTE WITH INSERTION OF ELASTIC
POUR COLLARETTE AVEC INSERTION D'ELASTIQUE

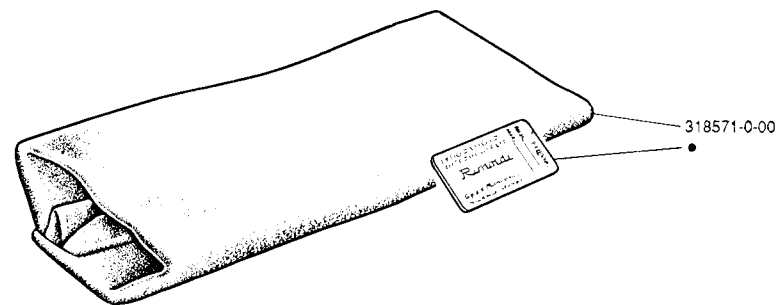
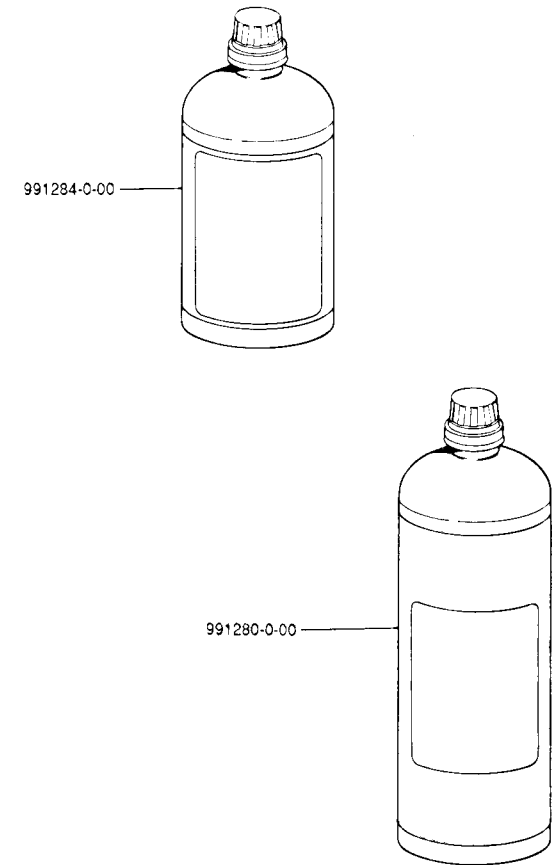
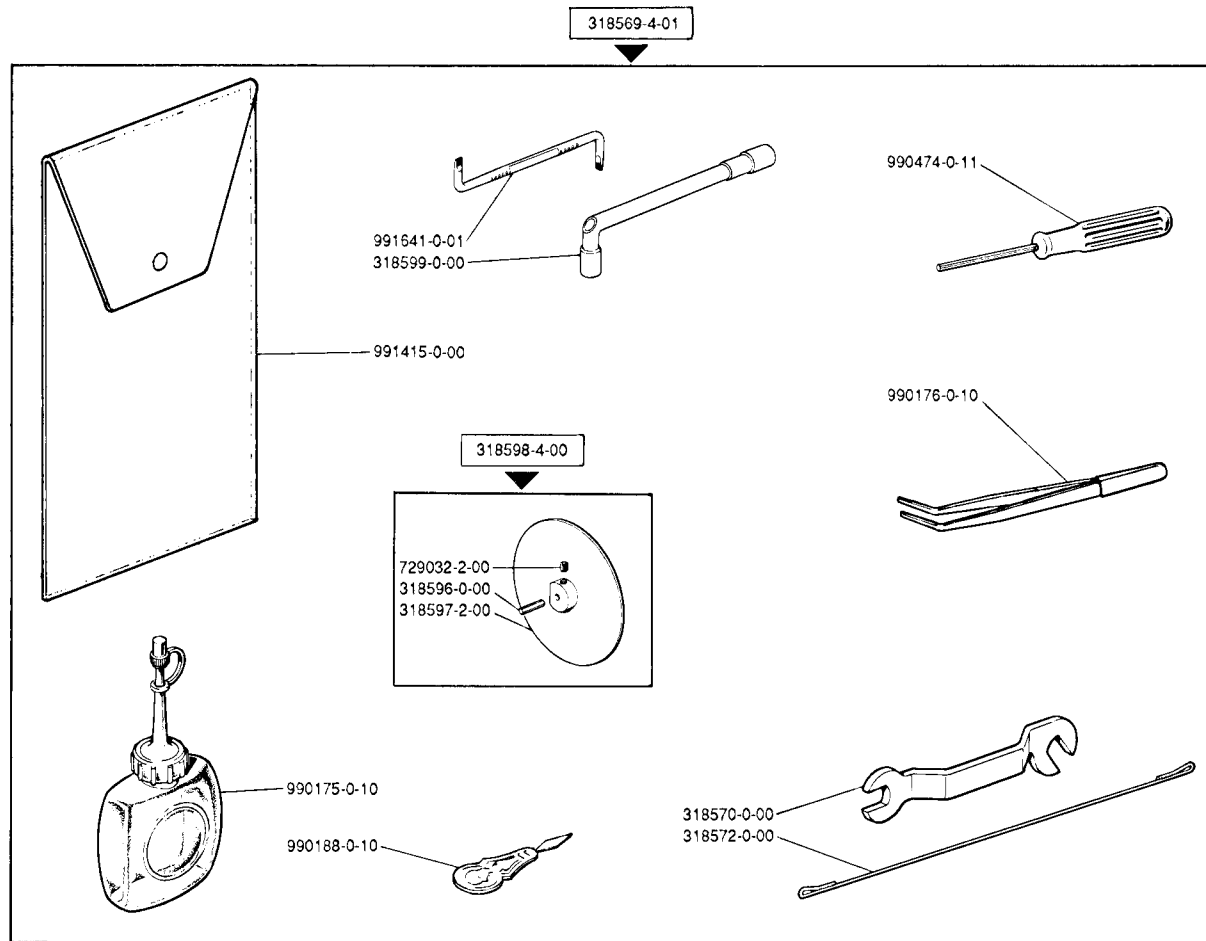
* LARGHEZZA ELASTICO
ELASTIC WIDTH
LARGEUR ELASTIQUE

* LARGHEZZA ELASTICO
ELASTIC WIDTH
LARGEUR ELASTIQUE

SIMBOLO SYMBOL SYMBOLE	*				SIMBOLO SYMBOL SYMBOLE	*			
319207-4-00	10	12,5	1,7	32	319201-4-00	10	12,5	1,7	32

SIMBOLO SYMBOL SYMBOLE	*				SIMBOLO SYMBOL SYMBOLE	*			
318684-4-00	5-6	12,5	1,7	32	318680-4-00	5-6	12,5	1,7	32
318685-4-00	5-6	16	1,7	38	318681-4-00	5-6	16	1,7	38
318686-4-00	5-6	19	2	44,5	318682-4-00	5-6	19	2	44,5
318687-4-00	5-6	15	2	41	318683-4-00	5-6	15	2	41

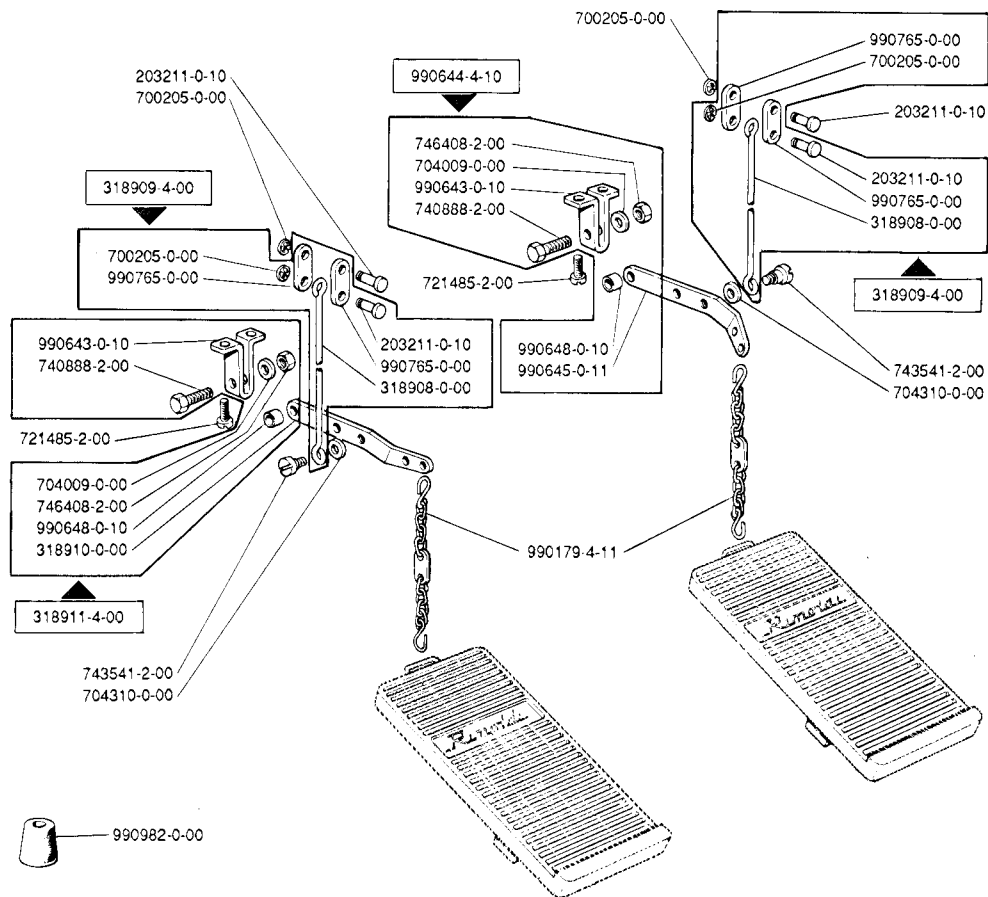




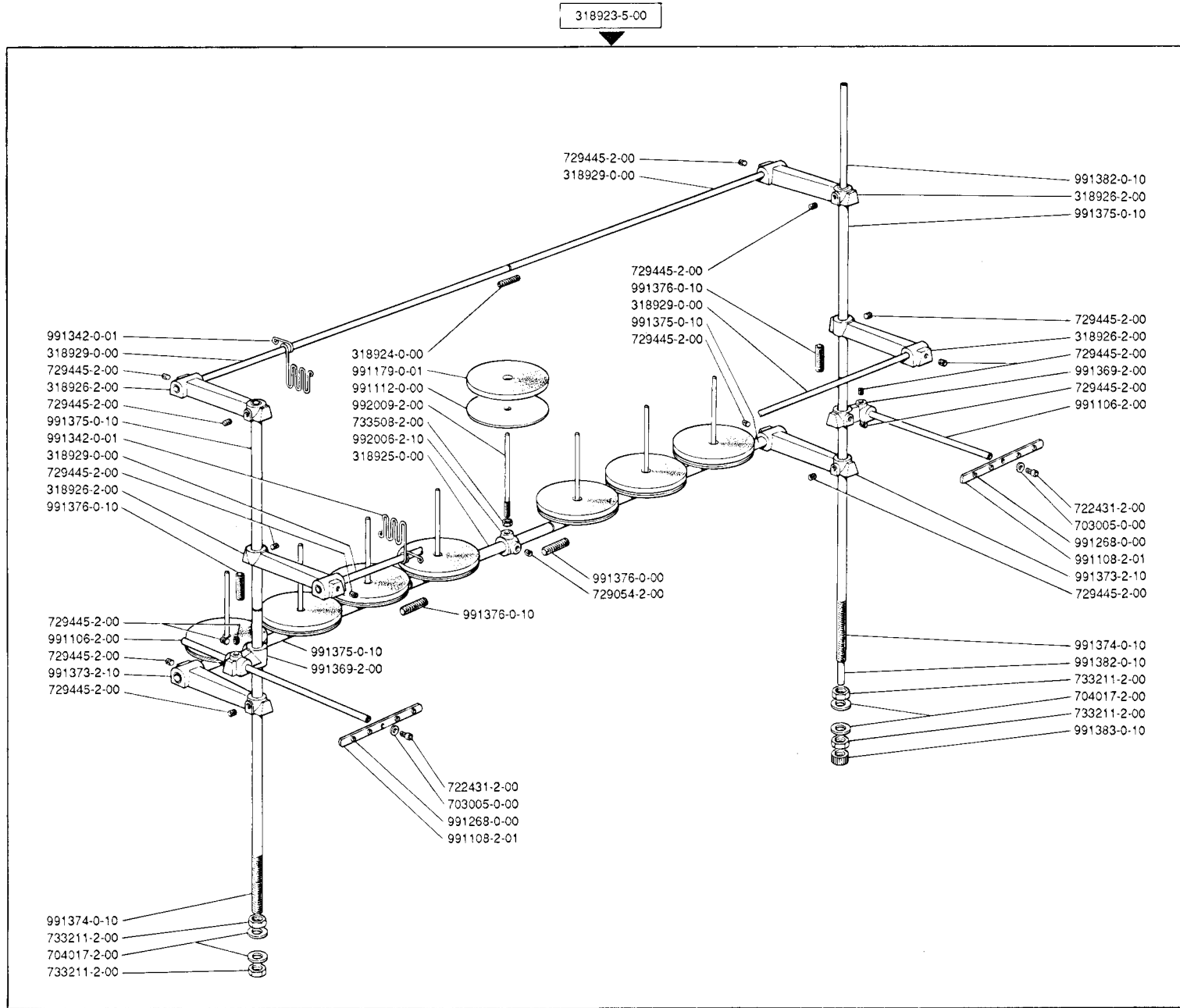
● per l'ordinazione della bustina citare lo stesso simbolo dell'ago montato sulla testa.

to order packet of needles please specify symbol of needle fitted on machine.

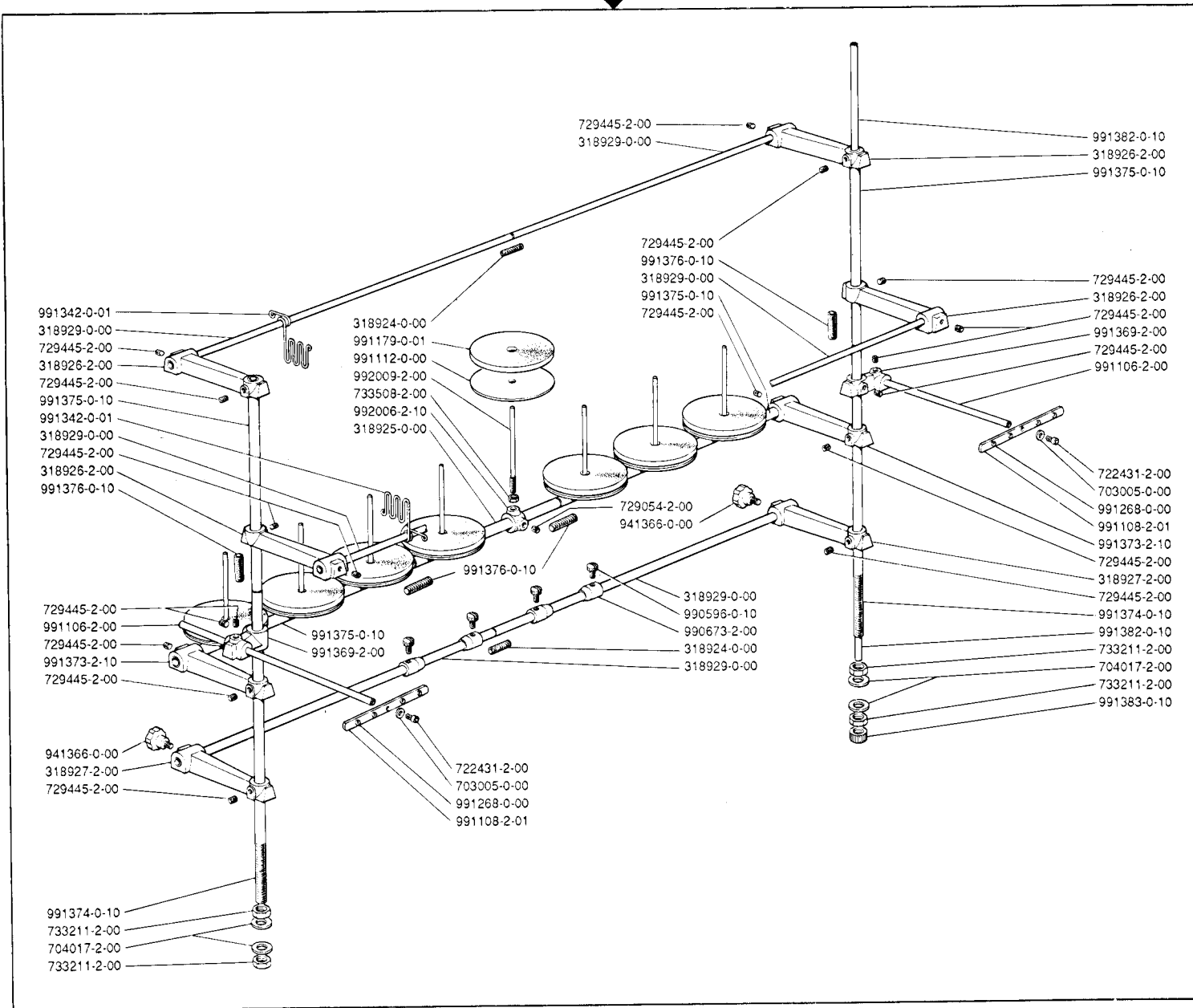
pour commander un sachet d'aiguilles donner le symbol de l'aiguille montée sur la tête.




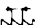
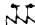
- GA1-16-2MD-02
- GA1-16-2MD-03
- GB1-16-2MD-02
- GB1-16-2MD-03
- GD1-16-2MD-02
- GD1-16-2MD-03



318928-5-00

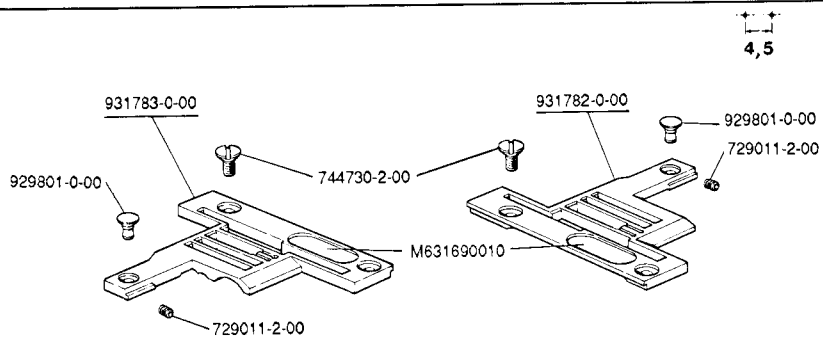


- GA1-34-2MR-25
- GA1-34-2MR-26
- GA1-34-2MR-43
- GB1-34-2MR-25
- GB1-34-2MR-26
- GB1-34-2MR-43
- CD1-34-2MR-25
- GD1-34-2MR-26
- GD1-34-2MR-43
- GA1-34-2WR-25
- GA1-34-2WR-26
- GA1-34-2WR-35
- GA1-34-2WR-43
- GA1-34-2WR-25
- GA1-34-2WR-26
- GA1-34-2WR-35
- GA1-34-2WR-43
- GD1-34-2WR-25
- GD1-34-2WR-26
- GD1-34-2WR-35
- GD1-34-2WR-43

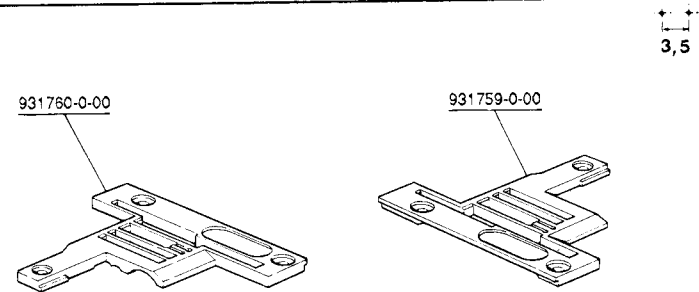
TESTA HEAD TETE	PLACCA AGO NEEDLE PLATE PLAQUE A AIGUILLE				GRIFFA PRINCIPALE MAIN FEED DOG GRIFFE PRINCIPAL				GRIFFA DIFFERENZIALE SUBSIDIARY FEED DOG GRIFFE SUBSIDIARE				PIEDINO PRESSERFOOT PIED-PRESSEUR		MORSETTO AGHI NEEDLES CLAMP PORTE-AIGUILLES		COLTELLO SUPERIORE UPPER KNIFE COUTEAU SUPERIEUR		COLTELLO INFERIORE LOWER KNIFE COUTEAU INFERIEUR					
	SINISTRO LEFT GAUCHE	DESTRO RIGHT DROITE			SINISTRO LEFT GAUCHE	DESTRO RIGHT DROITE			SINISTRO LEFT GAUCHE	DESTRO RIGHT DROITE			SINISTRO LEFT GAUCHE	DESTRO RIGHT DROITE	SINISTRO LEFT GAUCHE	DESTRO RIGHT DROITE	SINISTRO LEFT GAUCHE	DESTRO RIGHT DROITE	SINISTRO LEFT GAUCHE	DESTRO RIGHT DROITE				
GA1-16-2MD-02 GB1-16-2MD-02 GD1-16-2MD-02	931783-0-00	931782-0-00	4,5	D	931758-0-00	931757-0-00	1,5	D	318297-0-00	318296-0-00	1,5	D	931781-3-00	931780-3-00	D	318401-4-00	318392-4-00	D	---	---	---	---		
GA1-16-2MD-03 GB1-16-2MD-03 GD1-16-2MD-03	931760-0-00	931759-0-00	3,5	D	931758-0-00	931757-0-00	1,5	D	318297-0-00	318296-0-00	1,5	D	931756-3-00	931755-3-00	D	318398-4-00	318389-4-00	D	---	---				
GA1-34-2MR-25 GB1-34-2MR-25 GD1-34-2MR-25	931793-0-00 931731-0-00	931792-0-00 931730-0-00	3,5 3,5	D R	931785-0-00	931784-0-00	1,5	D	318305-0-00 318299-0-00	318304-0-00 318298-0-00	1,5 1,5	D R	931791-3-00 931380-3-00 931376-3-00	931790-3-00 931379-3-00 931375-3-00	D R R	318398-4-00	318389-4-00	D	318735-0-00 318792-2-00	302865-0-11 318791-2-00	R	318513-0-00 318794-2-00	302808-0-10 305670-2-00	D R
GA1-34-2MR-26 GB1-34-2MR-26 GD1-34-2MR-26	931803-0-00 931733-0-00	931802-0-00 931732-0-00	4,5 4,5	D R	931795-0-00	931794-0-00	1,5	D	318309-0-00 318301-0-00	318308-0-00 318300-0-00	1,5 1,5	D R	931801-3-00 931382-3-00 931378-3-00	931800-3-00 931381-3-00 931377-3-00	D R R	318401-4-00	318392-4-00	D	318735-0-00 318792-2-00	302865-0-11 318791-2-00	R	318513-0-00 318794-2-00	302808-0-10 305670-2-00	D R
GA1-34-2MR-43 GB1-34-2MR-43 GD1-34-2MR-43	931805-0-00 931729-0-00	931804-0-00 931728-0-00	3 3	D R	931785-0-00	931784-0-00	1,5	D	318305-0-00 318299-0-00	318304-0-00 318298-0-00	1,5 1,5	D R	931791-3-00 931380-3-00 931376-3-00	931790-3-00 931379-3-00 931375-3-00	D R R	318400-4-00	318391-4-00	D	318735-0-00 318792-2-00	302865-0-11 318791-2-00	R	318513-0-00 318794-2-00	302808-0-10 305670-2-00	D R
GA1-34-2WR-25 GB1-34-2WR-25 GD1-34-2WR-25	931793-0-00 931731-0-00	931792-0-00 931730-0-00	3,5 3,5	D R	931785-0-00	931784-0-00	1,5	D	318305-0-00 318299-0-00	318304-0-00 318298-0-00	1,5 1,5	D R	931791-3-00 931380-3-00 931376-3-00	931790-3-00 931379-3-00 931375-3-00	D R D	318398-4-00	318389-4-00	D	318735-0-00 318792-2-00	302865-0-11 318791-2-00	R	318513-0-00 318794-2-00	302808-0-10 305670-2-00	D R
GA1-34-2WR-26 GB1-34-2WR-26 GD1-34-2WR-26	931803-0-00 931733-0-00	931802-0-00 931732-0-00	4,5 4,5	D R	931795-0-00	931794-0-00	1,5	D	318309-0-00 318301-0-00	318308-0-00 318300-0-00	1,5 1,5	D R	931801-3-00 931382-3-00 931378-3-00	931800-3-00 931381-3-00 931377-3-00	D R R	318401-4-00	318392-4-00	D	318735-0-00 318792-2-00	302865-0-11 318791-2-00	R	318513-0-00 318794-2-00	302808-0-10 305670-2-00	D R
GA1-34-2WR-35 GB1-34-2WR-35 GD1-34-2WR-35	931793-0-00 931731-0-00	931792-0-00 931730-0-00	3,5 3,5	D R	931785-0-00	931784-0-00	1,5	D	318299-0-00	318298-0-00	1,5	D	931376-3-00	931375-3-00	D	318398-4-00	318389-4-00	D	318735-0-00 318792-2-00	302865-0-11 318791-2-00	R	318513-0-00 318794-2-00	302808-0-10 305670-2-00	D R
GA1-34-2WR-43 GB1-34-2WR-43 GD1-34-2WR-43	931805-0-00 931729-0-00	931804-0-00 931728-0-00	3 3	D R	931785-0-00	931784-0-00	1,5	D	318305-0-00 318299-0-00	318304-0-00 318298-0-00	1,5 1,5	D R	931791-3-00 931380-3-00 931376-3-00	931790-3-00 931379-3-00 931375-3-00	D R R	318400-4-00	318391-4-00	D	318735-0-00 318792-2-00	302865-0-11 318791-2-00	R	318513-0-00 318794-2-00	302808-0-10 305670-2-00	D R

D= DOTAZIONE DOTATION EQUIPMENT
R= RICHIESTA REQUEST DEMANDE

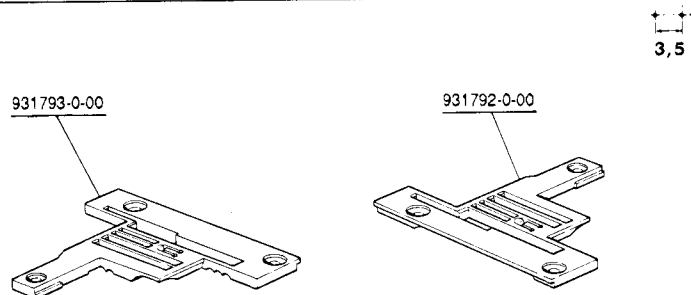
GA1-16-2MD-02
GB1-16-2MD-02
GD1-16-2MD-02



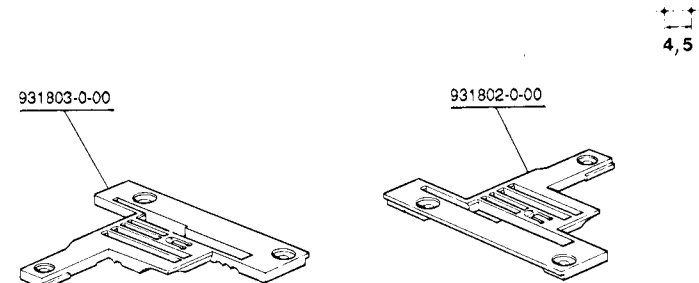
GA1-16-2MD-03
GB1-16-2MD-03
GD1-16-2MD-03



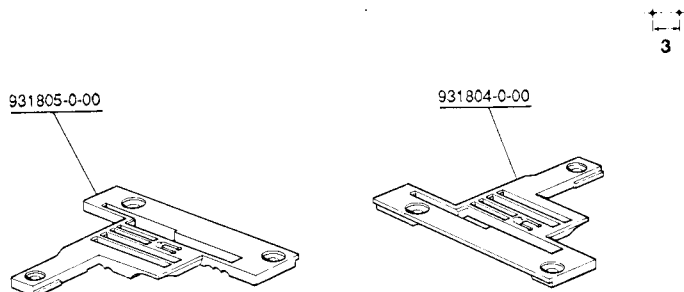
GA1-34-2MR-25
GB1-34-2MR-25
GD1-34-2MR-25
GA1-34-2WR-25
GB1-34-2WR-25
GD1-34-2WR-25
GA1-34-2WR-35
GB1-34-2WR-35
GD1-34-2WR-35



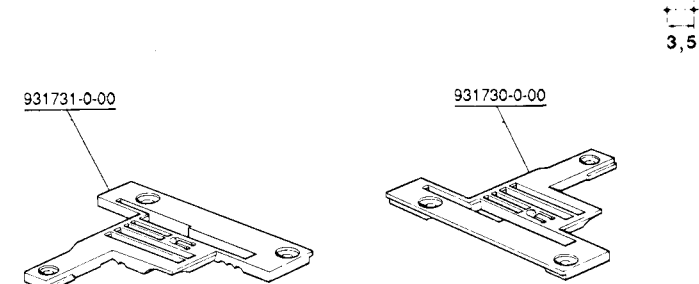
GA1-34-2MR-26
GB1-34-2MR-26
GD1-34-2MR-26
GA1-34-2WR-26
GB1-34-2WR-26
GD1-34-2WR-26



GA1-34-2MR-43
GB1-34-2MR-43
GD1-34-2MR-43
GA1-34-2WR-43
GB1-34-2WR-43
GD1-34-2WR-43

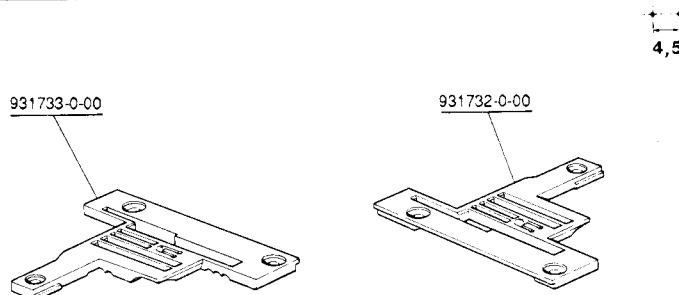


GA1-34-2MR-25
GB1-34-2MR-25
GD1-34-2MR-25
GA1-34-2WR-25
GB1-34-2WR-25
GD1-34-2WR-25
GA1-34-2WR-35
GB1-34-2WR-35
GD1-34-2WR-35



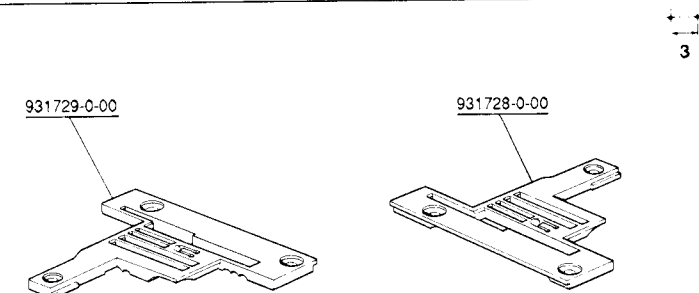
A RICHIESTA — ON REQUEST — SUR DEMANDE

GA1-34-2MR-26
GB1-34-2MR-26
GD1-34-2MR-26
GA1-34-2WR-26
GB1-34-2WR-26
GD1-34-2WR-26



A RICHIESTA — ON REQUEST — SUR DEMANDE

GA1-34-2MR-43
GB1-34-2MR-43
GD1-34-2MR-43
GA1-34-2WR-43
GB1-34-2WR-43
GD1-34-2WR-43



A RICHIESTA — ON REQUEST — SUR DEMANDE

GA1-16-2MD-02 GB1-16-2MD-02 GD1-16-2MD-02 GA1-16-2MD-03 GB1-16-2MD-03 GD1-16-2MD-03	931758-0-00 704406-0-10 304684-0-10	931757-0-00 704406-0-00 304684-0-10	1,5
--	---	---	---------

GA1-16-2MD-02 GB1-16-2MD-02 GD1-16-2MD-02 GA1-16-2MD-03 GB1-16-2MD-03 GD1-16-2MD-03	318297-0-00 740224-2-00	318296-0-00 	1,5
--	----------------------------	-----------------	---------

GA1-34-2MR-25 GB1-34-2MR-25 GD1-34-2MR-25 GA1-34-2MR-43 GB1-34-2MR-43 GD1-34-2MR-43 GA1-34-2WR-25 GB1-34-2WR-25 GD1-34-2WR-25 GA1-34-2WR-35 GB1-34-2WR-35 GD1-34-2WR-35 GA1-34-2WR-43 GB1-34-2WR-43 GD1-34-2WR-43	931785-0-00 	931784-0-00 	1,5
---	-----------------	-----------------	---------

GA1-34-2MR-25 GB1-34-2MR-25 GD1-34-2MR-25 GA1-34-2MR-43 GB1-34-2MR-43 GD1-34-2MR-43 GA1-34-2WR-25 GB1-34-2WR-25 GD1-34-2WR-25 GA1-34-2WR-35 GB1-34-2WR-35 GD1-34-2WR-35 GA1-34-2WR-43 GB1-34-2WR-43 GD1-34-2WR-43	318299-0-00 	318298-0-00 	1,5
---	-----------------	-----------------	---------

GA1-34-2MR-26 GB1-34-2MR-26 GD1-34-2MR-26 GA1-34-2WR-26 GB1-34-2WR-26 GD1-34-2WR-26	931795-0-00 	931794-0-00 	1,5
--	-----------------	-----------------	---------

GA1-34-2MR-26 GB1-34-2MR-26 GD1-34-2MR-26 GA1-34-2WR-26 GB1-34-2WR-26 GD1-34-2WR-26	318301-0-00 	318300-0-00 	1,5
--	-----------------	-----------------	---------

GA1-34-2MR-25 GB1-34-2MR-25 GD1-34-2MR-25 GA1-34-2MR-43 GB1-34-2MR-43 GD1-34-2MR-43 GA1-34-2WR-25 GB1-34-2WR-25 GD1-34-2WR-25 GA1-34-2WR-43 GB1-34-2WR-43 GD1-34-2WR-43	318305-0-00 	318304-0-00 	1,5
--	-----------------	-----------------	---------

GA1-34-2MR-25 GB1-34-2MR-25 GD1-34-2MR-25 GA1-34-2MR-43 GB1-34-2MR-43 GD1-34-2MR-43 GA1-34-2WR-25 GB1-34-2WR-25 GD1-34-2WR-25 GA1-34-2WR-43 GB1-34-2WR-43 GD1-34-2WR-43	318309-0-00 	318308-0-00 	1,5
--	-----------------	-----------------	---------

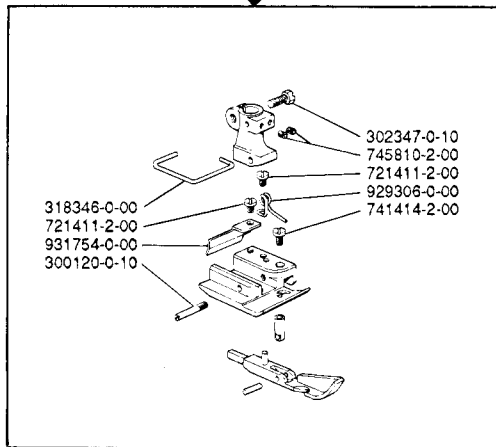
GA1-34-2MR-26 GB1-34-2MR-26 GD1-34-2MR-26 GA1-34-2WR-26 GB1-34-2WR-26 GD1-34-2WR-26	318309-0-00 	318308-0-00 	1,5
--	-----------------	-----------------	---------

GA1-34-2MR-26 GB1-34-2MR-26 GD1-34-2MR-26 GA1-34-2WR-26 GB1-34-2WR-26 GD1-34-2WR-26	318309-0-00 	318308-0-00 	1,5
--	-----------------	-----------------	---------

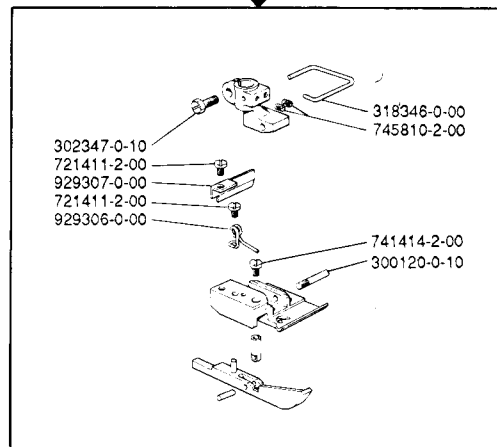
GA1-16-2MD-02
GB1-16-2MD-02
GD1-16-2MD-02



931781-3-00



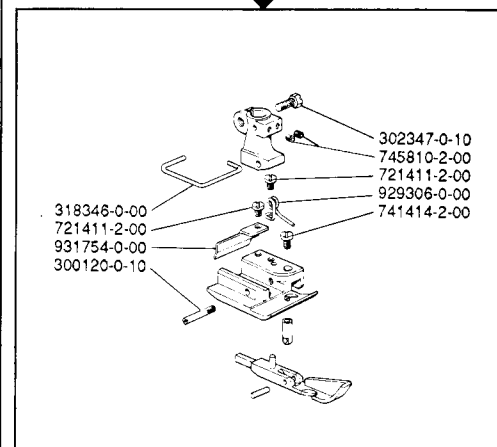
931780-3-00



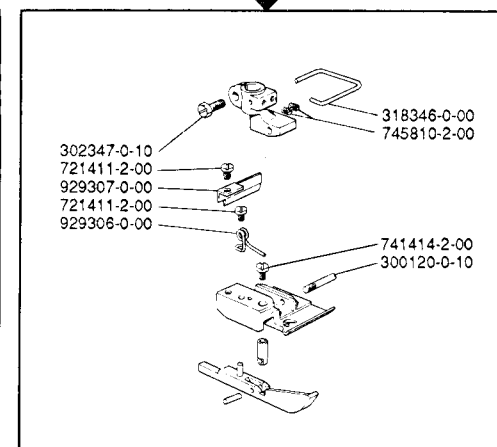
GA1-16-2MD-03
GB1-16-2MD-03
GD1-16-2MD-03



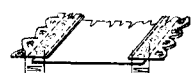
931756-3-00



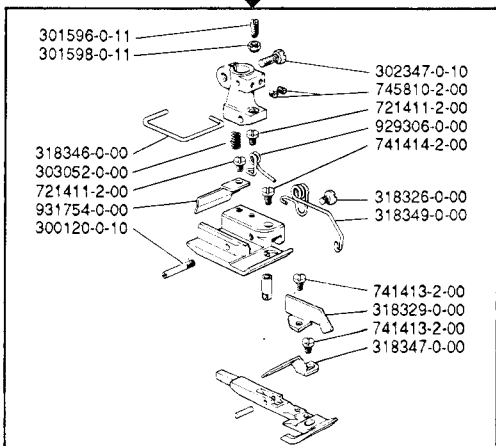
931755-3-00



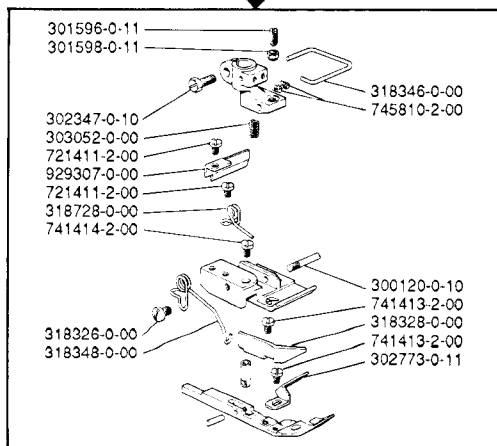
GA1-34-2MR-25 GA1-34-2WR-25
GB1-34-2MR-25 GB1-34-2WR-25
GD1-34-2MR-25 GD1-34-2WR-25
GA1-34-2MR-43 GA1-34-2WR-43
GB1-34-2MR-43 GB1-34-2WR-43
GD1-34-2MR-43 GD1-34-2WR-43



931791-3-00



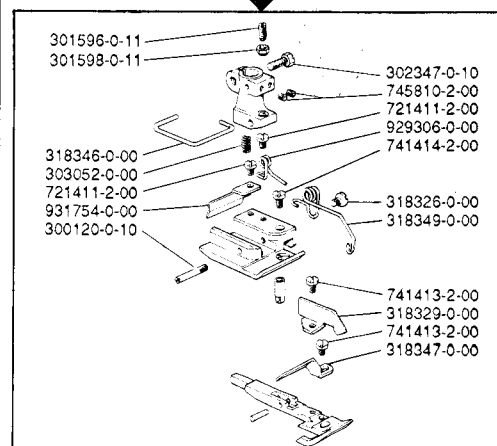
931790-3-00



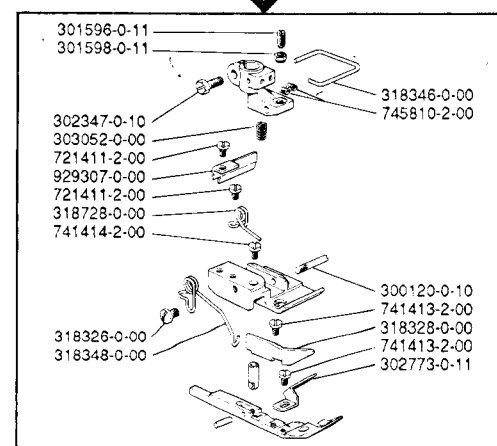
GA1-34-2MR-26
GB1-34-2MR-26
GD1-34-2MR-26
GA1-34-2WR-26
GB1-34-2WR-26
GD1-34-2WR-26



931801-3-00



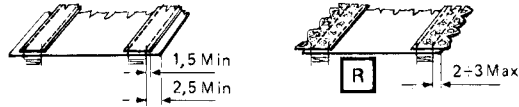
931800-3-00



GA1-34-2WR-35
GB1-34-2WR-35
GD1-34-2WR-35

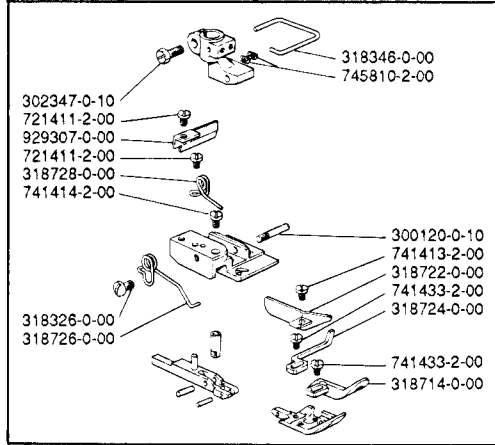
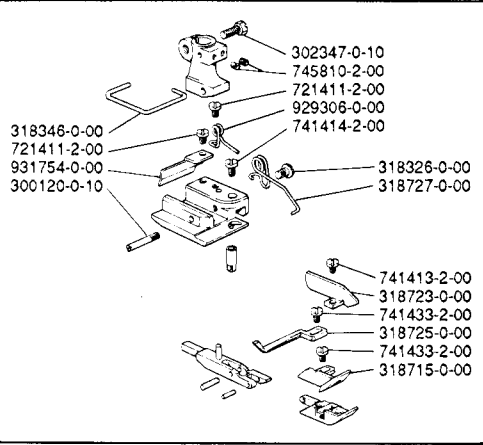
GA1-34-2MR-25 GA1-34-2WR-25
GB1-34-2MR-25 GB1-34-2WR-25
GD1-34-2MR-25 GD1-34-2WR-25
GA1-34-2MR-43 GA1-34-2WR-43
GB1-34-2MR-43 GB1-34-2WR-43
GD1-34-2MR-43 GD1-34-2WR-43

R



931376-3-00

931375-3-00



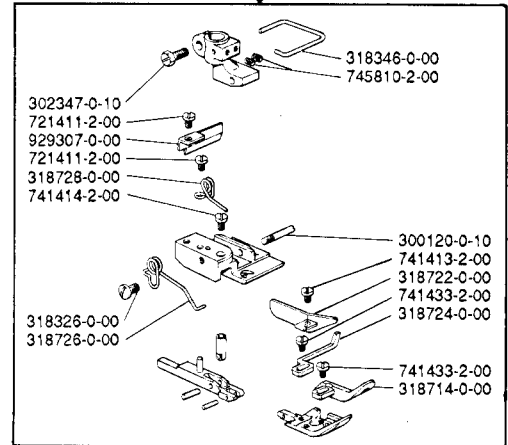
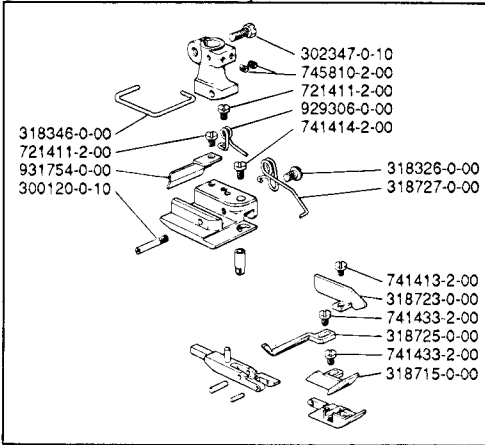
GA1-34-2MR-26
GB1-34-2MR-26
GD1-34-2MR-26
GA1-34-2WR-26
GB1-34-2WR-26
GD1-34-2WR-26

R



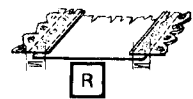
931378-3-00

931377-3-00



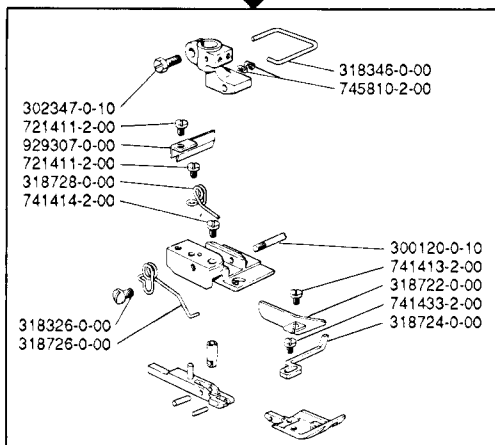
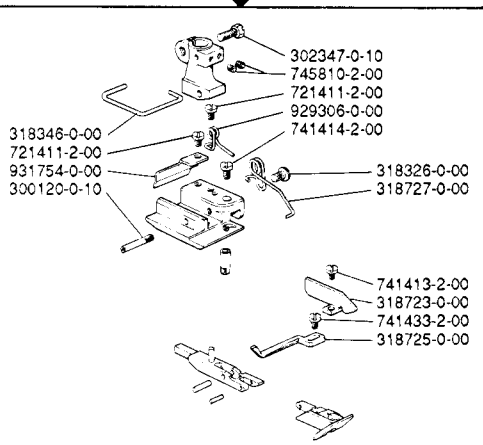
GA1-34-2MR-25 GA1-34-2WR-25
GB1-34-2MR-25 GB1-34-2WR-25
GD1-34-2MR-25 GD1-34-2WR-25
GA1-34-2MR-43 GA1-34-2WR-43
GB1-34-2MR-43 GB1-34-2WR-43
GD1-34-2MR-43 GD1-34-2WR-43

R



931380-3-00

931379-3-00



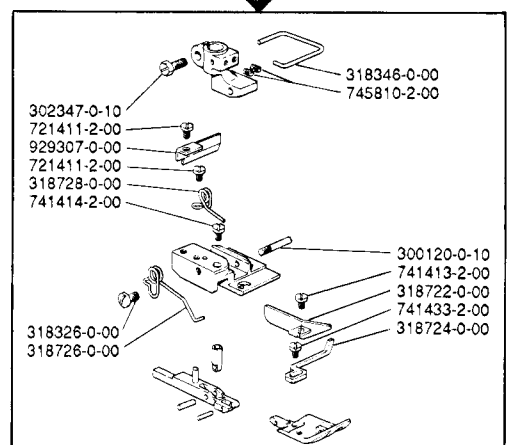
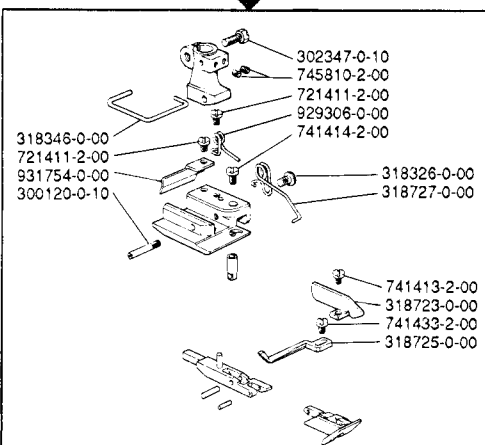
GA1-34-2MR-26
GB1-34-2MR-26
GD1-34-2MR-26
GA1-34-2WR-26
GB1-34-2WR-26
GD1-34-2WR-26

R



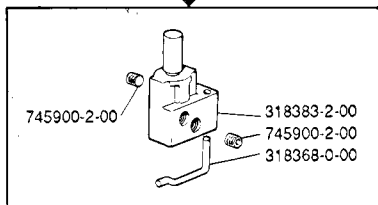
931382-3-00

931381-3-00

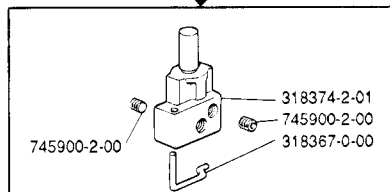


- GA1-16-2MD-02
- GB1-16-2MD-02
- GD1-16-2MD-02
- GA1-34-2MR-26
- GB1-34-2MR-26
- GD1-34-2MR-26
- GA1-34-2WR-26
- GB1-34-2WR-26
- GD1-34-2WR-26

318401-4-00



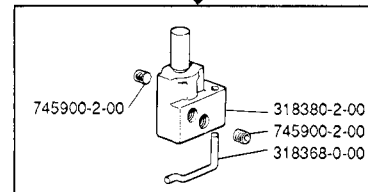
318392-4-00



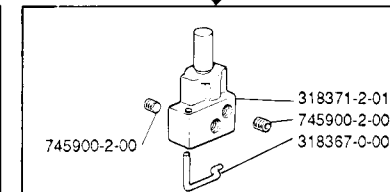
4,5

- GA1-16-2MD-03
- GB1-16-2MD-03
- GD1-16-2MD-03
- GA1-34-2MR-25
- GB1-34-2MR-25
- GD1-34-2MR-25
- GA1-34-2WR-25
- GB1-34-2WR-25
- GD1-34-2WR-25
- GA1-34-2WR-35
- GB1-34-2WR-35
- GD1-34-2WR-35

318398-4-00



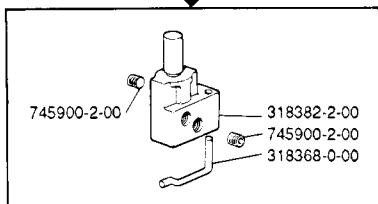
318389-4-00



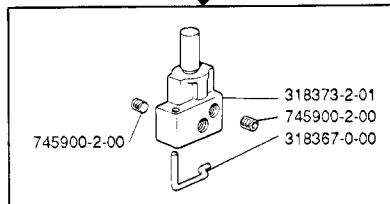
3,5

- GA1-34-2MR-43
- GB1-34-2MR-43
- GD1-34-2MR-43
- GA1-34-2WR-43
- GB1-34-2WR-43
- GD1-34-2WR-43

318400-4-00

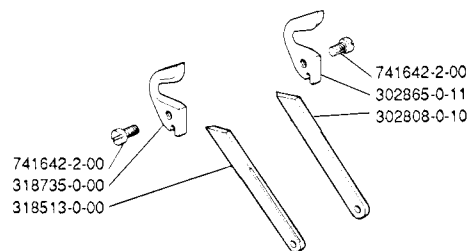


318391-4-00

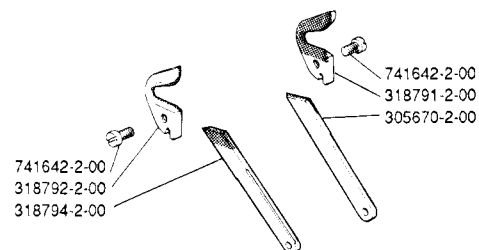


3

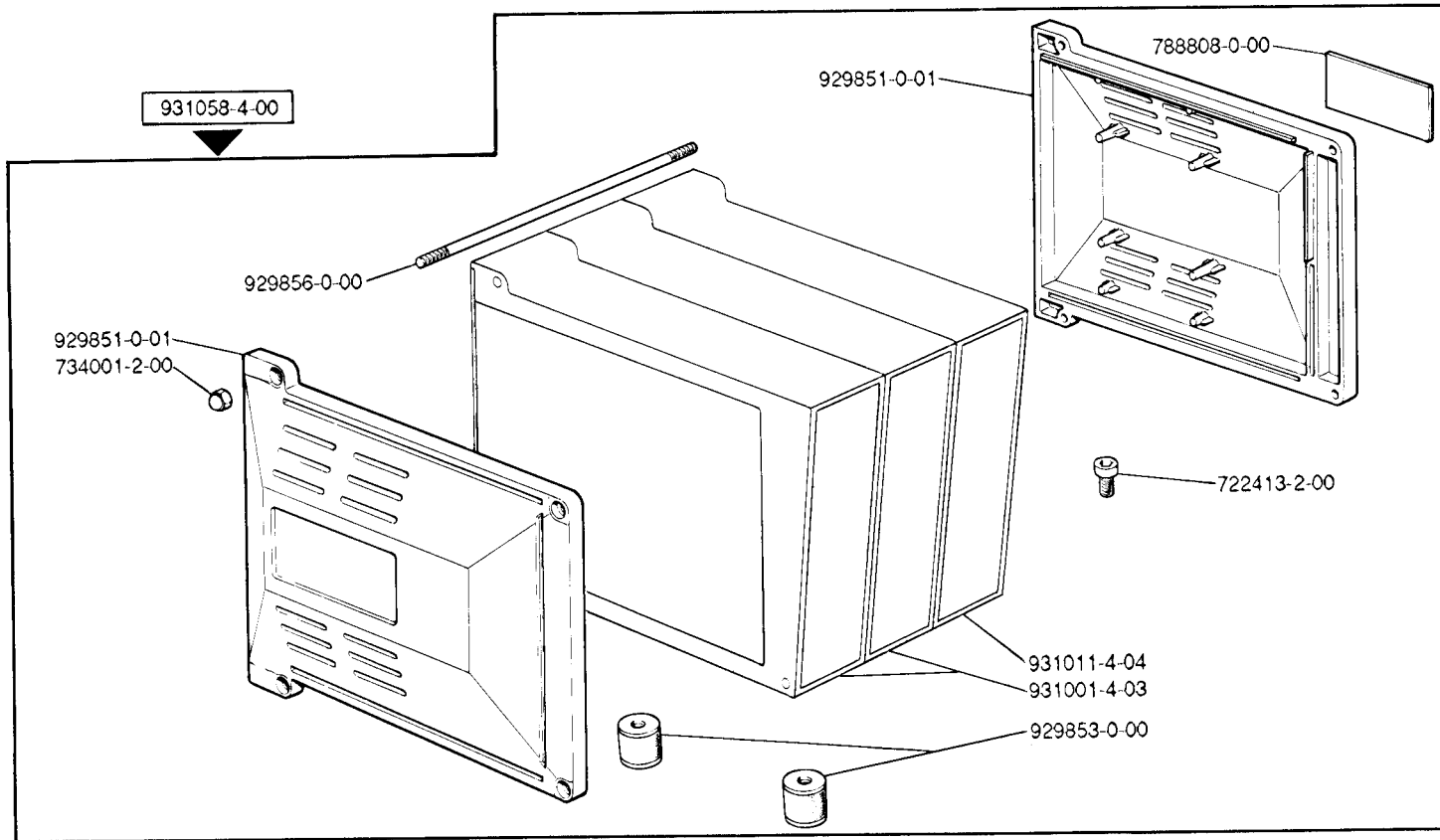
- GA1-34-2MR-25
- GA1-34-2MR-26
- GA1-34-2MR-43
- GB1-34-2MR-25
- GB1-34-2MR-26
- GB1-34-2MR-43
- GD1-34-2MR-25
- GD1-34-2MR-26
- GD1-34-2MR-43
- GA1-34-2WR-25
- GA1-34-2WR-26
- GA1-34-2WR-35
- GA1-34-2WR-43
- GB1-34-2WR-25
- GB1-34-2WR-26
- GB1-34-2WR-35
- GB1-34-2WR-43
- GD1-34-2WR-25
- GD1-34-2WR-26
- GD1-34-2WR-35
- GD1-34-2WR-43



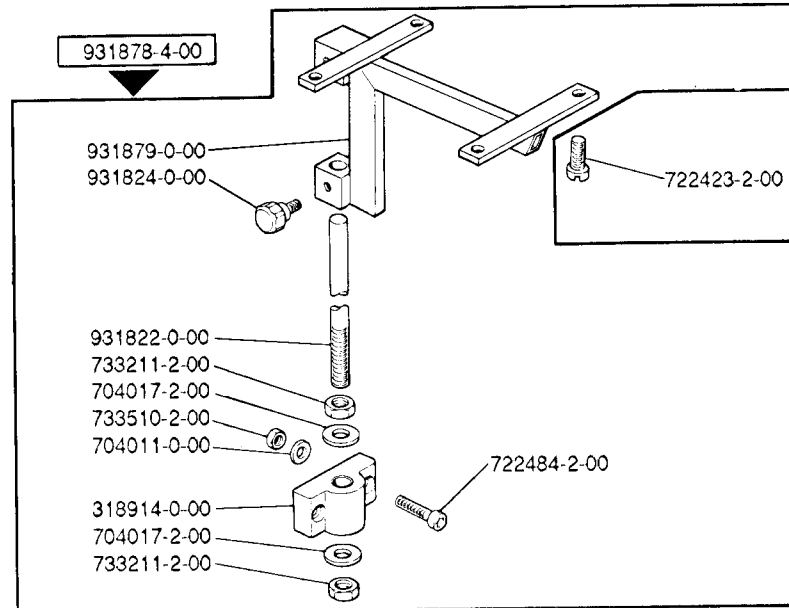
A RICHIESTA — ON REQUEST — SUR DEMANDE



CON PLACCHETTA IN LEGA DURA
WITH HARD ALLOYED PLATE
AVEC PLAQUETTE EN ALLIAGE DUR

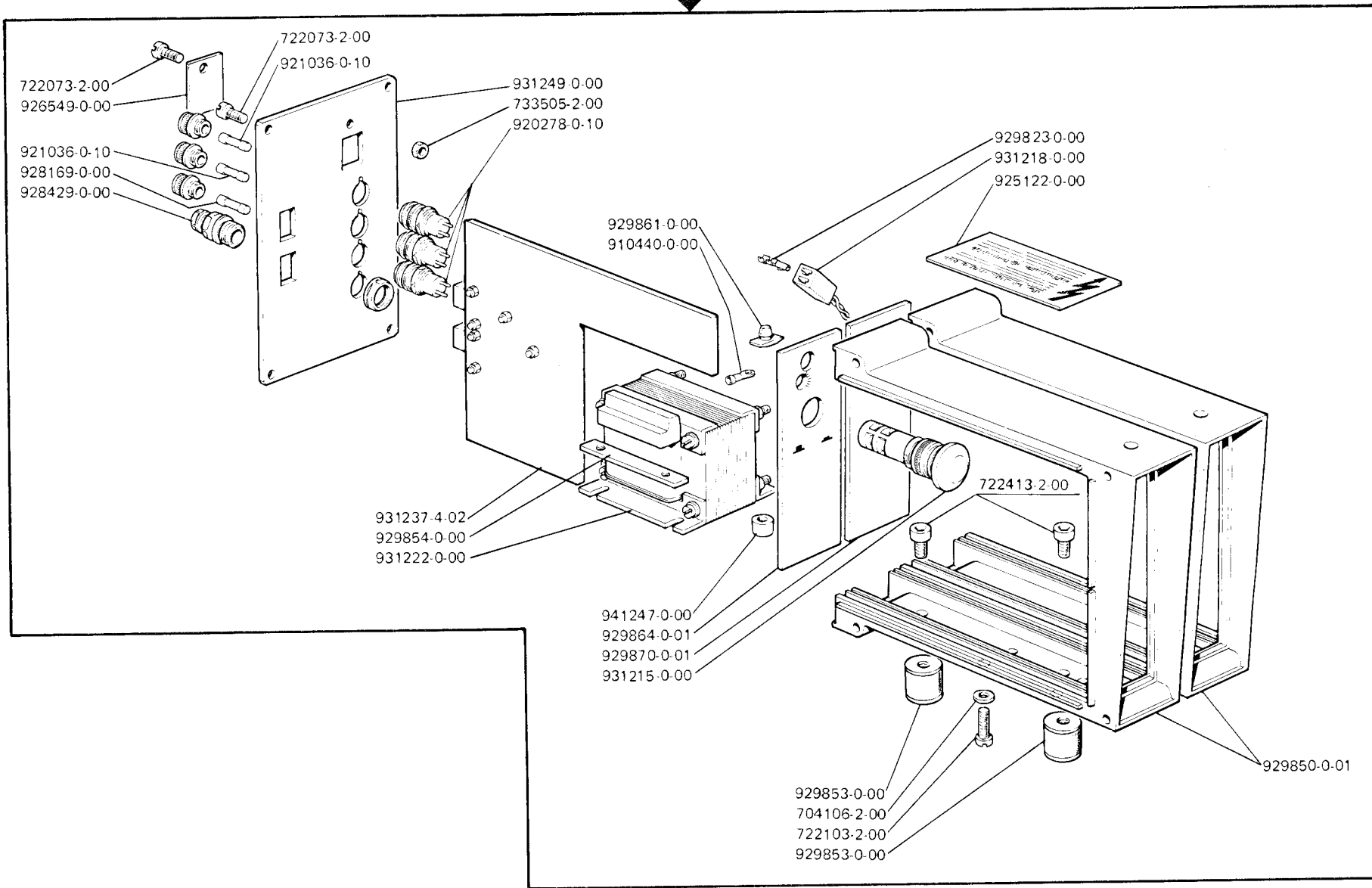


- GA1-34-2WR-25
- GA1-34-2WR-26
- GA1-34-2WR-35
- GA1-34-2WR-43
- GB1-34-2WR-25
- GB1-34-2WR-26
- GB1-34-2WR-35
- GB1-34-2WR-43
- GD1-34-2WR-25
- GD1-34-2WR-26
- GD1-34-2WR-35
- GD1-34-2WR-43



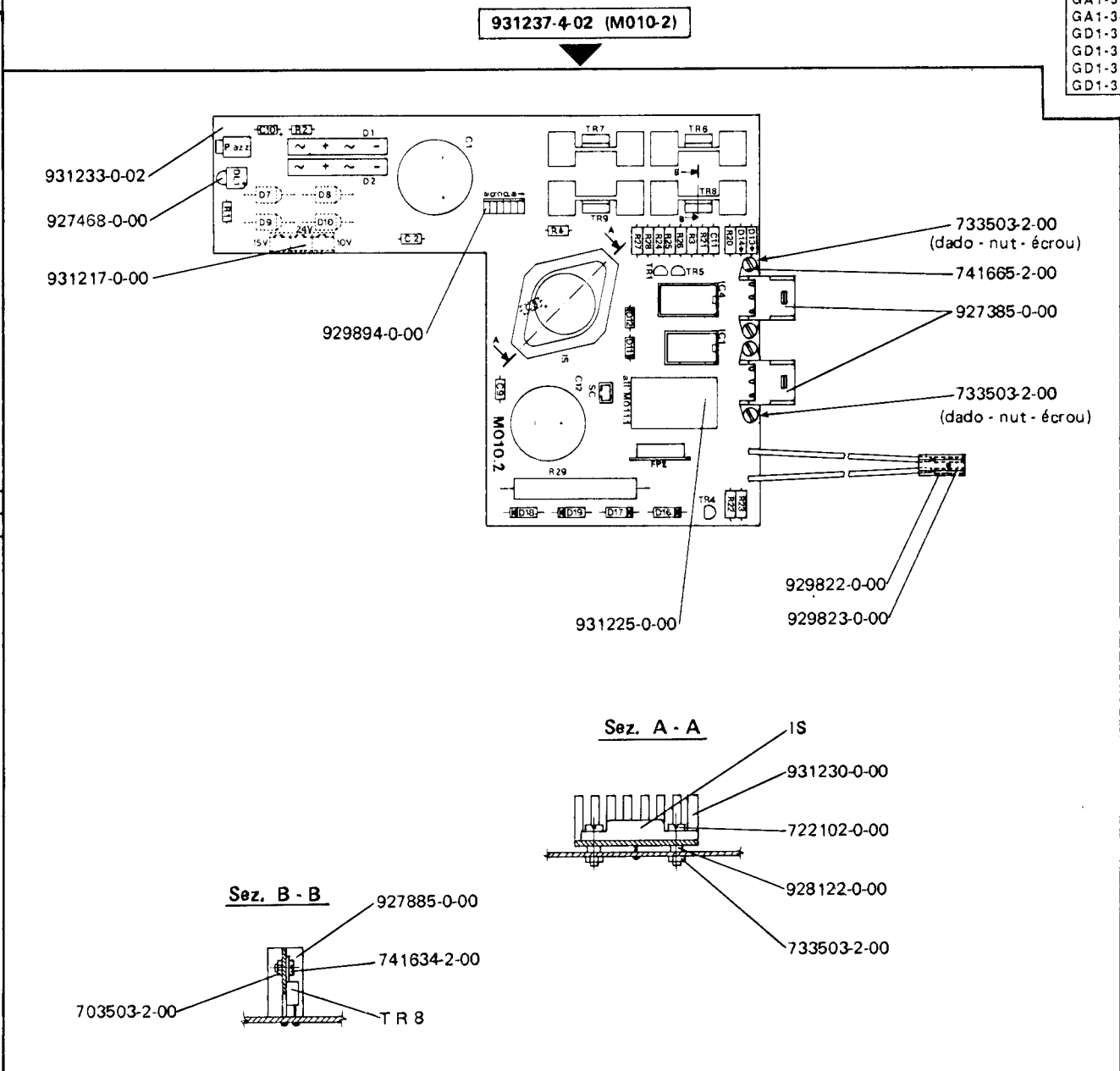
931001-4-03 (M010-2)

- GA1-34-2WR-25
- GA1-34-2WR-26
- GA1-34-2WR-35
- GA1-34-2WR-43
- GA1-34-2WR-25
- GA1-34-2WR-26
- GA1-34-2WR-35
- GA1-34-2WR-43
- GD1-34-2WR-25
- GD1-34-2WR-26
- GD1-34-2WR-35
- GD1-34-2WR-43

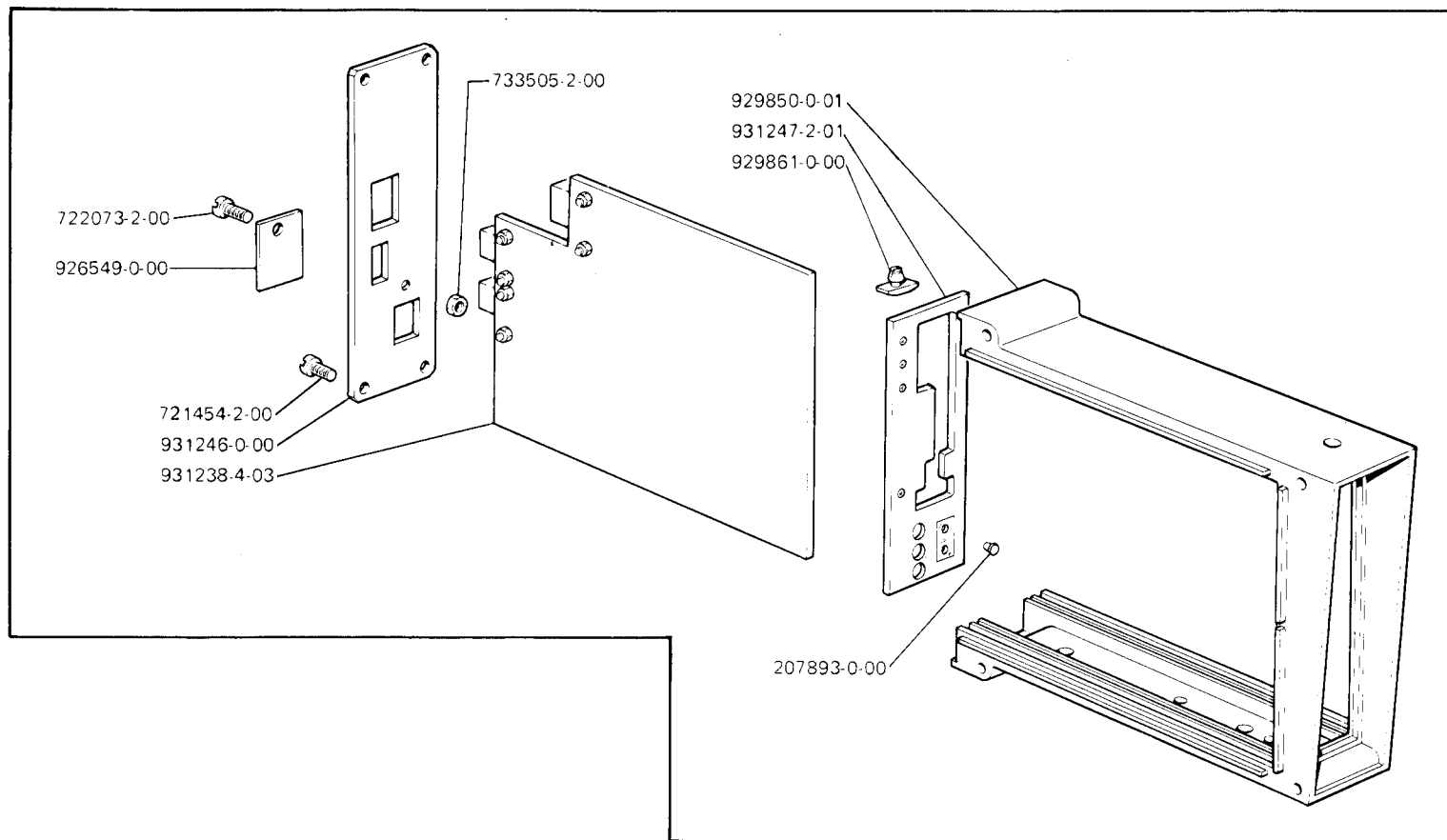


- GA1-34-2WR-25
- GA1-34-2WR-26
- GA1-34-2WR-35
- GA1-34-2WR-43
- GA1-34-2WR-25
- GA1-34-2WR-26
- GA1-34-2WR-35
- GA1-34-2WR-43
- GD1-34-2WR-25
- GD1-34-2WR-26
- GD1-34-2WR-35
- GD1-34-2WR-43

Part./Pièce N.	SIMBOLO - SYMBOL	Zoccolo/Base N.
931121-0-00	R1	
931153-0-00	R21	
931129-0-00	R26	
931141-0-00	R3-R20	
931130-0-00	R27-R28	
931127-0-00	R24	
931128-0-00	R23	
931190-0-00	R29	
931539-0-00	C1	
929879-0-00	C2-C9	
931191-0-00	C3-C10	
931193-0-00	C12	
927381-0-00	C11	
929575-0-00	TR5	
929885-0-00	TR1	
931198-0-00	TR6-TR8	
927231-0-00	TR7-TR9	
941399-0-00	D1-D2	
931194-0-00	D7-D8-D9-D10	
923409-0-00	D11-D12-D13-D14	
923706-0-00	D16-D17-D18-D19	
929893-0-00	IC1	927228-0-00
927229-0-00	IC4	928218-0-00
931199-0-00	IS	
927222-0-00	DL1	
931219-0-00	SC	
927475-0-00	P. azz.	
929575-0-00	TR4	
931242-4-00	FP2	
931137-0-00	R22	
931118-0-00	R25	
931152-0-00	R4	
931157-0-00	R2	



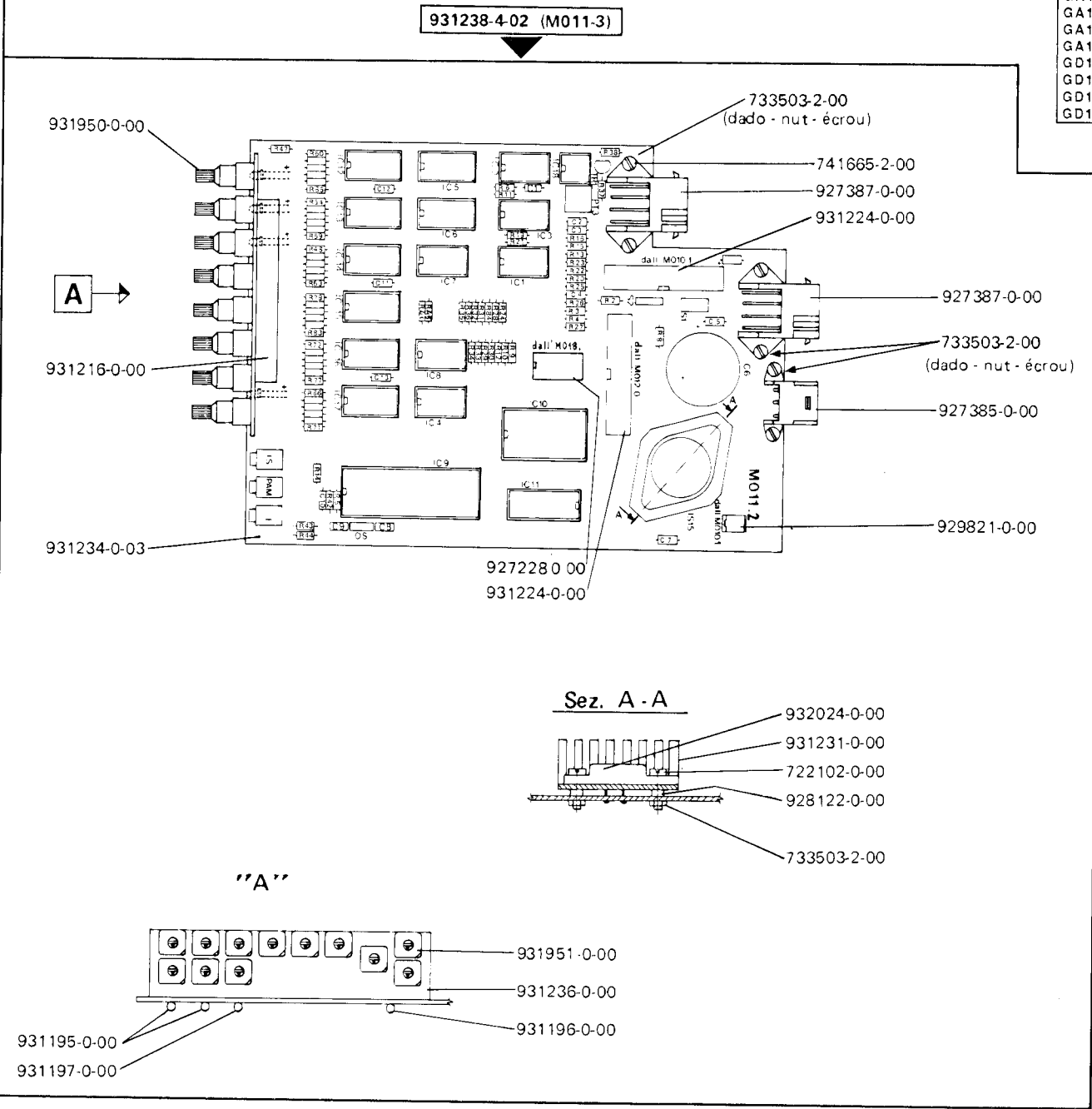
- GA1-34-2WR-25
- GA1-34-2WR-26
- GA1-34-2WR-35
- GA1-34-2WR-43
- GA1-34-2WR-25
- GA1-34-2WR-26
- GA1-34-2WR-35
- GA1-34-2WR-43
- GD1-34-2WR-25
- GD1-34-2WR-26
- GD1-34-2WR-35
- GD1-34-2WR-43



931011-4-04 (M011.3)

Part./Pièce N.	SIMBOLO – SYMBOL	Zoccolo/Base N.
931211-0-00	OS	
931129-0-00	R2-R5-R8-R11-R15-R20-R21-R23-R25-R38-R84	
931141-0-00	R3-R9-R26-R27	
931150-0-00	R4-R10	
931116-0-00	R6	
931121-0-00	R12-R47	
931133-0-00	R13-R14-R24-R30-R34-R37-R41-R43-R45-R48÷R83	
931132-0-00	R16	
931149-0-00	R19-R42	
931161-0-00	R28	
931130-0-00	R29-R31-R32-R33-R35-R36	
927223-0-00	C1	
927382-0-00	C2	
929879-0-00	C3-C4-C7-C11-C12-C13	
931191-0-00	C5-C14	
931193-0-00	C6	
931192-0-00	C8-C9	
931209-0-00	C10	
925623-0-00	PT3	
929575-0-00	TR1	
931202-0-00	IC1	927228-0-00
931205-0-00	IC2	927228-0-00
931204-0-00	IC3-IC7-IC8	927228-0-00
931203-0-00	IC4	927228-0-00
931206-0-00	IC5-IC6	928218-0-00
931210-0-00	IC9	931214-0-00
931504-0-00	IC10	931213-0-00
931208-0-00	IC11	931212-0-00
931207-0-00	IC12÷IC17	928218-0-00
931201-0-00	IC18	927470-0-00
926537-0-00	I - IS	
927475-0-00	P A M	
931157-0-00	R22	
926548-0-00	S1	
926547-0-00	S2	

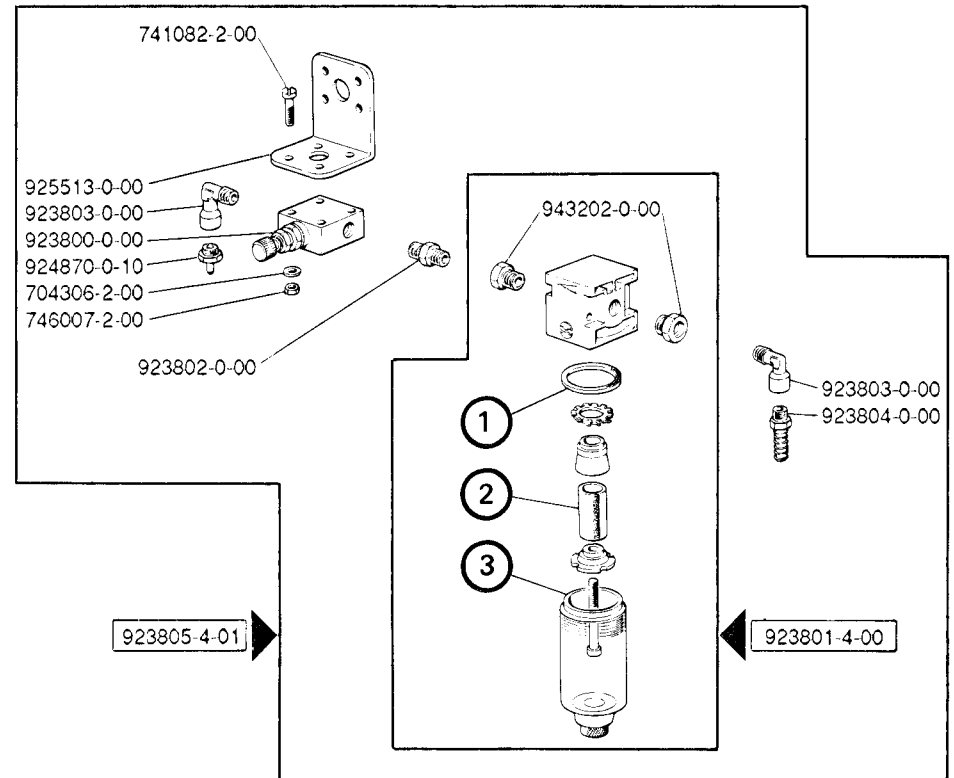
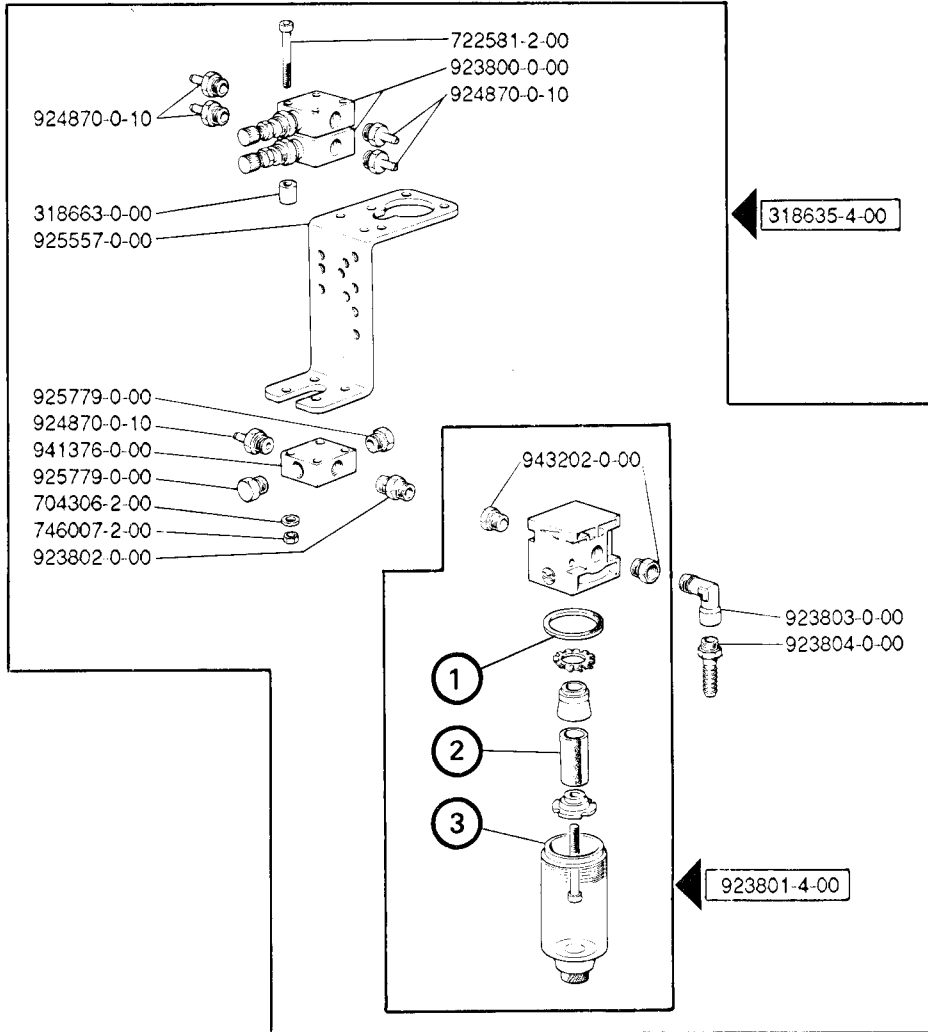
- GA1-34-2WR-25
- GA1-34-2WR-26
- GA1-34-2WR-35
- GA1-34-2WR-43
- GA1-34-2WR-25
- GA1-34-2WR-26
- GA1-34-2WR-35
- GA1-34-2WR-43
- GD1-34-2WR-25
- GD1-34-2WR-26
- GD1-34-2WR-35
- GD1-34-2WR-43



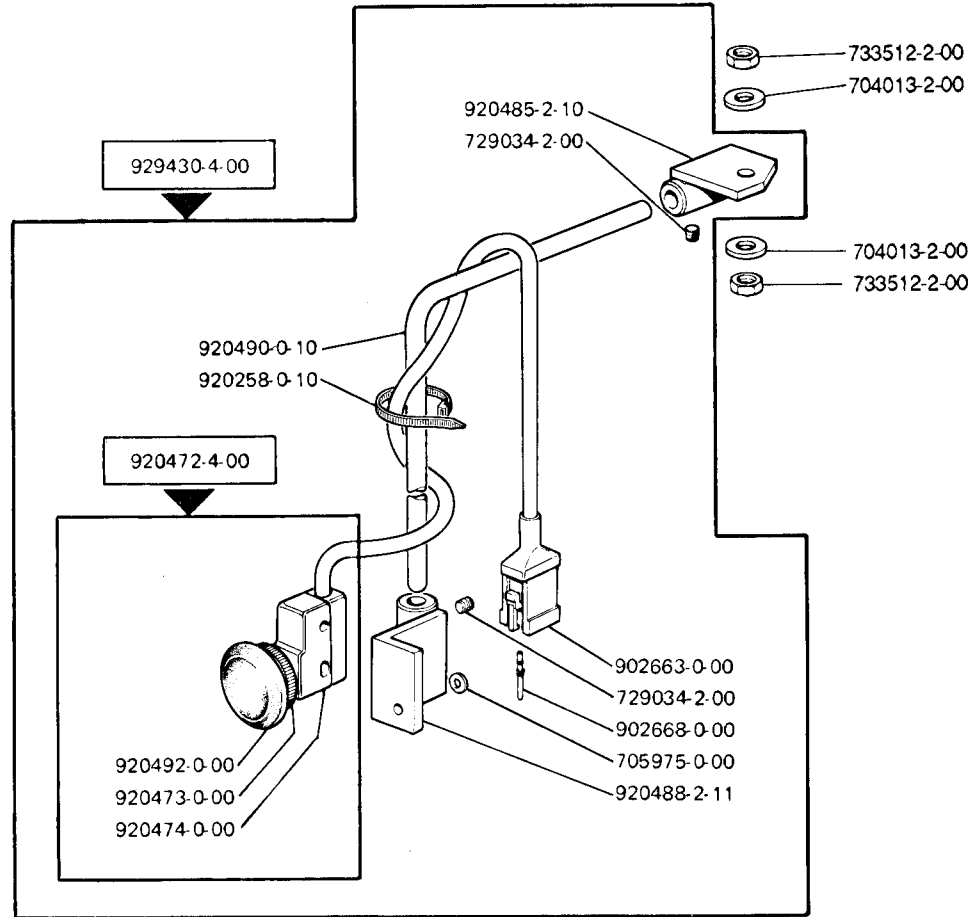
GA1-16-2MD-02
 GA1-16-2MD-03
 GA1-34-2MR-25
 GA1-34-2MR-26
 GA1-34-2WR-43
 GA1-34-2WR-25
 GA1-34-2WR-26
 GA1-34-2WR-35
 GA1-34-2WR-43
 GB1-34-2WR-25
 GB1-34-2WR-26
 GB1-34-2WR-35
 GB1-34-2WR-43
 GD1-34-2WR-25
 GD1-34-2WR-26
 GD1-34-2WR-35
 GD1-34-2WR-43

	①	②	③
METALWORK COLORE ARANCIO ORANGE COLOUR COLEUR ORANGE	924233-0-00	924238-0-00	924239-4-00
STAMPOTECNICA COLORE NERO BLACK COLOUR COLEUR NOIRE	701133-0-00	925196-0-00	925197-4-00

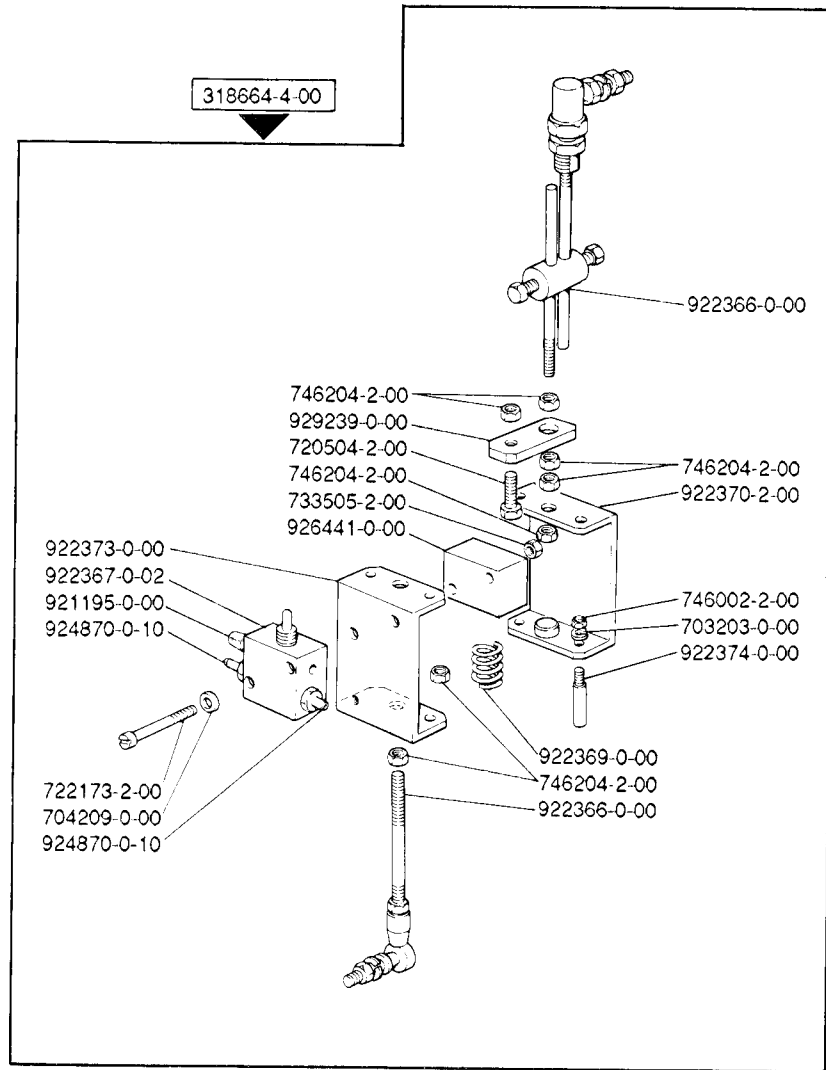
GB1-16-2MD-02
 GB1-16-2MD-03
 GD1-16-2MD-02
 GD1-16-2MD-03
 GB1-34-2MR-25
 GB1-34-2MR-26
 GB1-34-2MR-43
 GD1-34-2MR-25
 GD1-34-2MR-26
 GD1-34-2MR-43



GA1-34-2WR-25
GA1-34-2WR-26
GA1-34-2WR-35
GA1-34-2WR-43
GA1-34-2WR-25
GA1-34-2WR-26
GA1-34-2WR-35
GA1-34-2WR-43
GD1-34-2WR-25
GD1-34-2WR-26
GD1-34-2WR-35
GD1-34-2WR-43



- GB1-16-2MD-02
- GB1-16-2MD-03
- GD1-16-2MD-02
- GD1-16-2MD-03
- GB1-34-2MR-25
- GB1-34-2MR-26
- GB1-34-2MR-43
- GD1-34-2MR-25
- GD1-34-2MR-26
- GD1-34-2MR-43



- GA1-16-2MD-02
- GA1-16-2MD-03
- GA1-34-2MR-25
- GA1-34-2MR-26
- GA1-34-2WR-43
- GA1-34-2WR-25
- GA1-34-2WR-26
- GA1-34-2WR-35
- GA1-34-2WR-43
- GB1-34-2WR-25
- GB1-34-2WR-26
- GB1-34-2WR-35
- GB1-34-2WR-43
- GD1-34-2WR-25
- GD1-34-2WR-26
- GD1-34-2WR-35
- GD1-34-2WR-43

