

264-00-2CA-01	264-38-2CA-04
264-00-2CA-02	264-38-2CA-05
264-00-2CA-03	264-38-2CA-07
264-00-2LA-03	264-38-2CA-08
264-00-2LA-33	264-38-2CA-09
264-00-2LA-34	264-38-2CA-12
264-00-2LA-35	264-38-2CA-13
264-00-2LA-36	264-49-2CA-02
	264-49-2CA-04

EDIZIONE - EDITION 6/84

n. 319

ISTRUZIONI PER LA CONSULTAZIONE DEL CATALOGO

- Tutti i particolari delle teste sono rappresentati in più tavole come indicato nell'indice.
- I particolari sono esplosi nelle stesse posizioni in cui si trovano nelle teste.
- Le linee tratteggiate indicano i collegamenti tra i pezzi che per ragioni di disegno o di spazio non possono essere illustrati nello stesso asse.
- I simboli racchiusi da un riquadro (es. xxxxxx-x-xx) si riferiscono sempre a gruppi o sottogruppi.
- Nella rappresentazione grafica i componenti dei gruppi sono racchiusi da un riquadro; i componenti dei sottogruppi sono anch'essi riquadrati all'interno del gruppo.

TAVOLE CON PARTICOLARI COMUNI A TUTTE LE TESTE

- I simboli dei particolari o dei gruppi si leggono direttamente in corrispondenza dei pezzi.

TAVOLE CON PARTICOLARI NON COMUNI A TUTTE LE TESTE

- I simboli dei particolari o dei gruppi si leggono direttamente in corrispondenza dei pezzi.
- I particolari specifici per le singole teste sono indicati nel disegno con un numero progressivo evidenziato da un cerchio per i pezzi singoli o piccoli gruppi e da un quadrato per i gruppi principali. Per ricercare il simbolo del pezzo e del gruppo occorre consultare la relativa tabella riportata nella stessa tavola.

TAVOLE DOPPIE

- Per facilitare la consultazione alcune tavole sono state duplicate e sono indicate con lo stesso numero affiancato da una lettera (es. 3/A - 3/B).
- Nelle tavole /A /B/ i particolari comuni a tutte le teste sono contrassegnati dal simbolo ★.

ORGANI DI CUCITURA - GUIDE - ACCESSORI VARI

- Gli organi di cucitura - le guide - gli accessori vari sono preceduti da tavole riepilogative con l'indicazione dei particolari in dotazione e a richiesta.

AGHI

- Gli aghi sono contraddistinti dal sistema e dalla finezza. Il sistema dell'ago e la finezza sono marcati oltre che sulla busta, anche sull'ago stesso.
Nelle ordinazioni precisare, oltre al simbolo, il sistema e la finezza degli aghi desiderati. In caso di dubbio allegare un ago campione o una busta vuota.

INSTRUCTION TO CONSULT THE CATALOGUE

- All the spare parts are illustrated in several tables as indicated in the index.
- The parts are illustrated as they belong together in the machine
- The dashed illustration shows where the adjacent parts belong
- The symbols included in a square (e.g. xxxxxx-x-xx) are always referred to assemblies or sub-assemblies.
- In the graphical representation the components belonging to sub-assemblies are also included in a square within their assembly.

TABLES WITH PARTS COMMON TO ALL HEADS

- The symbols of the parts or of the assemblies can be read in direct reference to the parts.

TABLE WITH PARTS NOT COMMON TO ALL HEADS

- The symbols of the parts or of the assemblies can be read in direct reference to the parts.
- In the drawing the specific parts for the single heads are indicated by a progressive figure which is made evident by a circle for the single parts or small assemblies and by a square for the main assemblies. The symbol of the part or of the assembly can be located by consulting the relevant part-list included in the same table.

DOUBLE TABLES

- For easier reference, some tables have been duplicated. They are indicated by the same figure plus an additional letter, (e.g. 3/A and 3/B)
- In the tables /A /B the parts common to all heads are marked by the symbol ★

SEWING PARTS - FOLDERS - VARIOUS ACCESSORIES

- Sewing parts, folders and various accessories are preceded by summary tables indicating standard parts supplied and parts supplied on request.

NEEDLE

- The needles are marked with system and size.
The system and size of the needle are shown on the packet as well as on the needle itself. When ordering please state symbol, system and size. If you have doubts, enclose a sample needle or an empty packet with your order.

INSTRUCTION POUR LA CONSULTATION DU CATALOGUE

- Toutes les pièces des têtes sont représentées en plusieurs tables comme nous avons indiqué dans l'index.
- Les pièces figurent sur l'illustration comme elles vont ensemble
- Les figures en tirets montrent le lieu de montage des pièces figurant à côté.
- Les symboles compris entre panneaux (ex. xxxxxx-x-xx) se réfèrent toujours à des groupes ou sous-groupes.
- Dans la représentation graphique les composants des sous-groupes sont eux-mêmes encadrés à l'intérieur du groupe.

TABLES AVEC COMPOSANTS COMMUNS A TOUTES LES TÊTES

- Les symboles des composants et des groupes se lisent directement en correspondance des pièces.

TABLES AVEC COMPOSANTS NON COMMUNS A TOUTES LES TÊTES

- Les symboles des composants et des groupes se lisent directement en correspondance des pièces.
- Les composants spécifiques de chaque tête sont indiqués sur les dessins avec un numéro progressif encerclé pour les simples composants ou petits groupes et numéro encadré pour les groupes principaux. Pour chercher le symbole de la pièce ou du groupe il faut consulter la relative fiche reportée sur la même table.

TABLE DOUBLE

- Pour faciliter la consultation certaines tables ont été doublées et sont indiquées avec le même numéro suivi par une lettre (ex. 3/A - 3/B)
- Dans les tables /A /B les composants communs à toutes les têtes sont contrassegnés du symbole ★.

ORGANES DE COUTURES - GUIDES - ACCESSOIRES DIVERS

- Les organes de coutures - les guides - les divers accessoires sont précédés de tables résumés avec l'indication des composants en dotation et sur demande.

AIGUILLES

- Les aiguilles se différencient par le système et la grosseur.
Le système de l'aiguille et sa grosseur, sont indiqués non seulement sur le sachet mais également sur l'aiguille. Dans l'ordre précis, en plus du symbole, le système et la grosseur des aiguilles désirés. En cas de doute, joindre une aiguille comme modèle ou un sachet vide.

INDICE NUMERICO INDEX

INDICE NUMERICO INDEX

Part. N.	Tav. N.	Part. N.	Tav. N.	Part. N.	Tav. N.	Part. N.	Tav. N.	Part. N.	Tav. N.	Part. N.	Tav. N.	Part. N.	Tav. N.
200074-0-10	34	300482-0-10	7	302238-0-11	9	303375-3-10	17,28	305214-3-00	16,21	307135-4-01	15,16,25	308050-2-00	7
200324-0-10	2	300483-0-10	2, 3,25	302272-0-10	5	303442-0-11	22,24	305461-3-11	17,21	307136-0-01	25	308052-4-00	9
200356-0-10	25		30	302276-0-10	6	303458-0-12	8	305544-0-00	21,24	307137-0-00	24	308054-0-01	9
200698-0-10	34	300683-0-10	28	302289-0-10	6	303459-2-11	7	305547-3-02	15,21	307138-0-00	24	308055-2-00	9
200699-0-10	34	300686-2-10	28	302292-0-10	5	303494-0-10	8	305548-0-01	15,16,19	307146-3-01	15,24	308057-0-10	9
200710-0-10	1	300710-0-10	28,29	302338-0-10	4	303503-0-10	6	305549-0-00	15,16,18	307148-0-00	15,19	308058-0-00	9
200713-0-10	34	300917-0-10	28,30	302344-0-10	9	303504-0-10	22,24	305550-3-00	15,21	307149-0-01	15,18	308059-0-01	9
200714-0-10	1	300918-0-10	30	302349-0-10	33,34	303513-0-10	28	305552-0-00	21	307170-0-02	15,16,20	308060-4-10	9
201143-0-10	7, 8	301198-2-10	27	302352-0-10	4	303514-0-10	28	305553-0-00	21	307171-0-02	15,16,20	308061-0-01	9
202229-0-10	1	301199-2-10	27	302353-0-10	3	303515-0-10	28	305554-3-00	15,21	307676-0-00	8	308062-2-01	9
202397-0-10	7	301200-2-10	27	302354-0-20	3	303516-0-10	28	305556-0-00	15,19	307800-3-01	17,24	308086-0-11	5
202398-0-10	10	301201-2-10	27	302355-0-10	3	303517-4-10	17,28	305557-0-00	15,18	307808-0-00	31	308094-0-00	9
202474-0-10	6	301202-4-10	15,27	302356-0-10	5	303522-0-10	28	305666-0-00	10	307809-4-00	17,31	308098-0-00	9
202486-0-10	8	301203-4-10	15,27	302393-0-00	6	303538-0-00	6	306648-3-02	15,22	307990-0-00	10	308101-2-01	3
202556-0-01	1	301204-4-10	15,27	302590-4-10	5	303539-0-00	6	306649-3-01	17,22	307991-0-00	10	308102-0-00	3
202558-0-01	1	301205-4-10	15,27	302591-2-11	4	303549-0-13	25	306650-3-02	15,22	308002-0-00	11	308103-4-10	3
203949-0-10	31	301341-0-10	17,18	303045-0-10	1	303550-4-13	16,17,25	306655-3-01	17,22	308006-4-00	4	308104-0-00	10
204773-2-10	33	301343-0-01	16,18	303052-0-00	24	303551-0-10	16,18	306657-3-01	16,22	308007-0-00	9	308105-4-03	10
206545-0-00	11	301355-0-10	22,23,24	303149-2-00	25	303554-2-11	25	306658-3-01	16,22	308009-0-10	5	308107-0-01	1
206555-0-00	10	301425-0-12	15,17,20	303153-0-21	15,20	303611-3-10	28	306691-3-01	16,23	308012-2-10	5	308110-3-02	10
206557-0-00	10	301426-0-12	15,17,20	303154-0-21	15,20	303612-4-10	16,28	306693-3-01	17,23	308013-4-02	5	308111-0-00	10
206559-0-01	11	301459-4-10	7,8	303155-0-12	25	303618-0-10	28	306694-3-01	16,23	308015-0-00	5	308113-0-00	11
206560-0-10	11	301519-2-11	8	303156-4-13	15,25	303624-3-10	16,29	306876-3-00	16,23	308025-2-00	7	308114-2-02	10
206564-0-00	11	301531-0-10	21,23	303157-0-12	25	303625-3-10	17,29	307013-2-01	26	308028-2-00	8	308123-0-00	10
206669-2-02	10	301580-0-10	7,8	303160-2-11	25	303630-3-20	30	307027-0-00	7	308029-2-00	7,8	308125-0-01	11
207973-0-01	3	301586-0-10	8	303162-2-13	25	303728-0-11	24	307035-0-21	25	308030-2-00	7	308127-0-00	5
300006-0-12	3	301596-0-11	21,22,24	303163-0-12	25	304107-0-10	31	307038-4-11	15,16,25	308031-0-01	5	308128-0-01	3
300209-0-10	7, 8	301598-0-11	21,22,24	303171-4-10	5	304612-0-11	8	307039-0-00	30	308032-0-00	4	308129-0-01	3
300218-0-10	1	302052-2-21	6	303174-0-10	5	304616-0-11	8	307040-4-01	15,30	308035-0-00	5	308137-0-00	1
300310-0-10	2	302059-0-10	9	303334-0-12	15,17,20	304640-0-10	8	307043-2-00	30	308036-2-00	4	308138-0-13	10
300351-0-11	7	302060-0-11	9	303335-0-12	15,17,20	304684-0-10	8,19	307047-2-00	30	308037-0-01	4	308140-0-00	6
300352-0-10	7	302136-0-12	1	303336-0-11	25	304763-0-10	9	307048-0-00	30	308038-0-10	4	308148-0-00	9
300377-0-10	7	302149-0-11	2	303337-4-12	15,17,25	304767-2-11	9	307049-0-00	30	308039-0-01	4	308149-0-01	5
300391-0-10	2	302150-0-10	33,34	303338-0-11	15,17,18	304905-0-10	2	307055-3-01	16,23	308040-2-00	10	308159-2-01	5
300405-0-10	27,28,30	302151-0-10	33,34	303341-2-11	25	305068-2-00	29	307058-3-01	16,23	308041-0-00	4	308161-0-00	5
300406-0-10	27,28,30	302168-2-10	2	303357-0-13	25	305069-2-00	29	307062-0-02	15,16,20	308042-0-00	4	308162-0-00	5
	33,34	302172-0-10	2	303358-4-13	15,17,25	305071-4-00	15,29	307063-0-02	15,16,20	308043-0-00	10	308166-0-00	5
300407-0-10	27,28,30	302204-0-10	2	303359-0-11	15,17,18	305072-4-00	15,29	307064-4-00	15,30	308044-0-00	7	308174-3-01	5
300408-0-10	27,28,30	302232-0-10	9	303361-2-11	25	305075-2-00	29	307130-2-01	26	308045-0-01	7	308178-4-01	5
300414-0-10	27,28,30	302234-0-10	5	303370-2-10	28	305076-0-00	29	307133-2-01	25	308046-2-01	7	308179-0-00	11
300469-2-11	7	302234-0-20	9	303371-4-10	17,28	305194-0-00	6	307134-0-01	25	308047-0-00	7	308180-2-01	10

INDICE NUMERICO INDEX

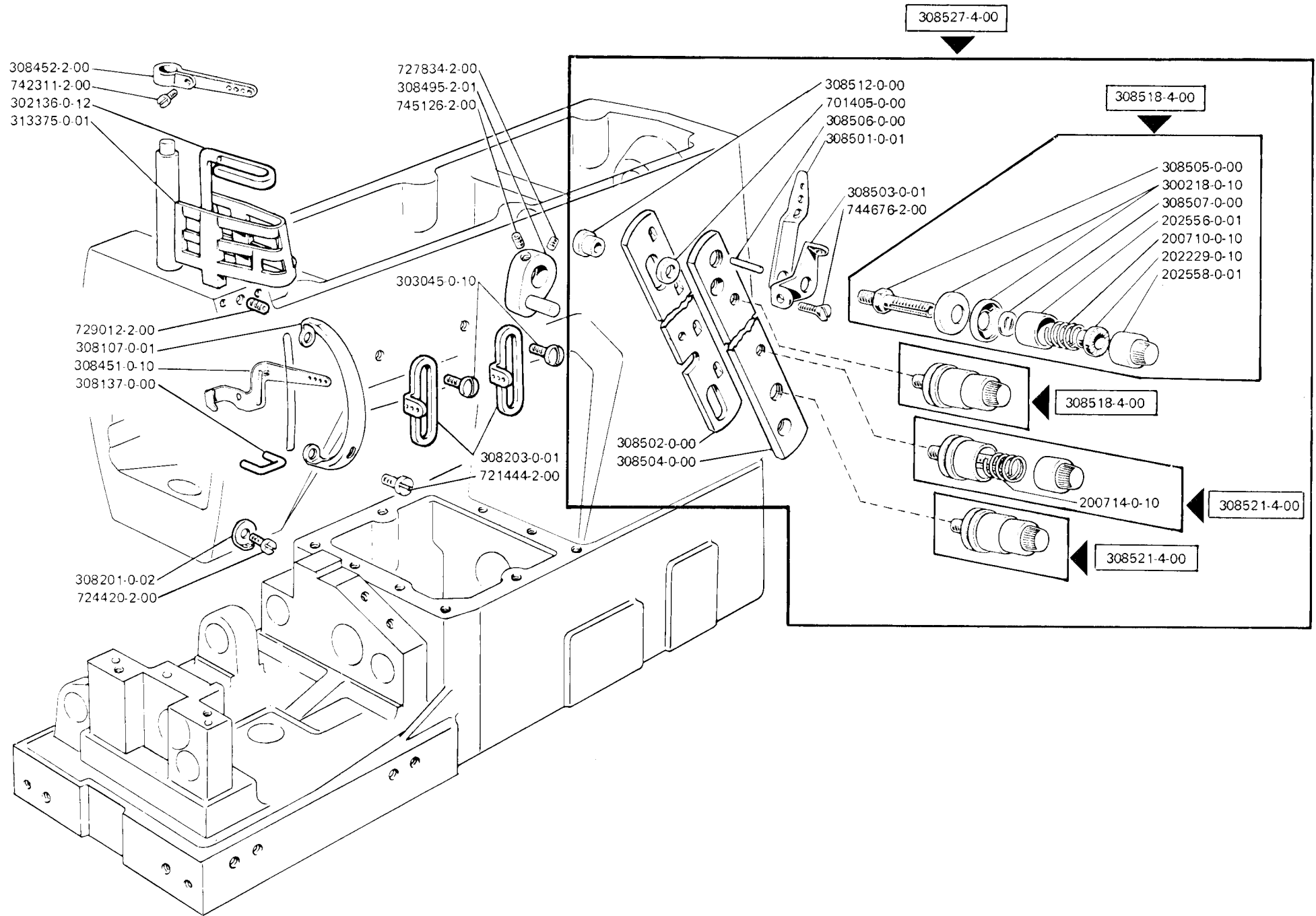
INDICE NUMERICO INDEX

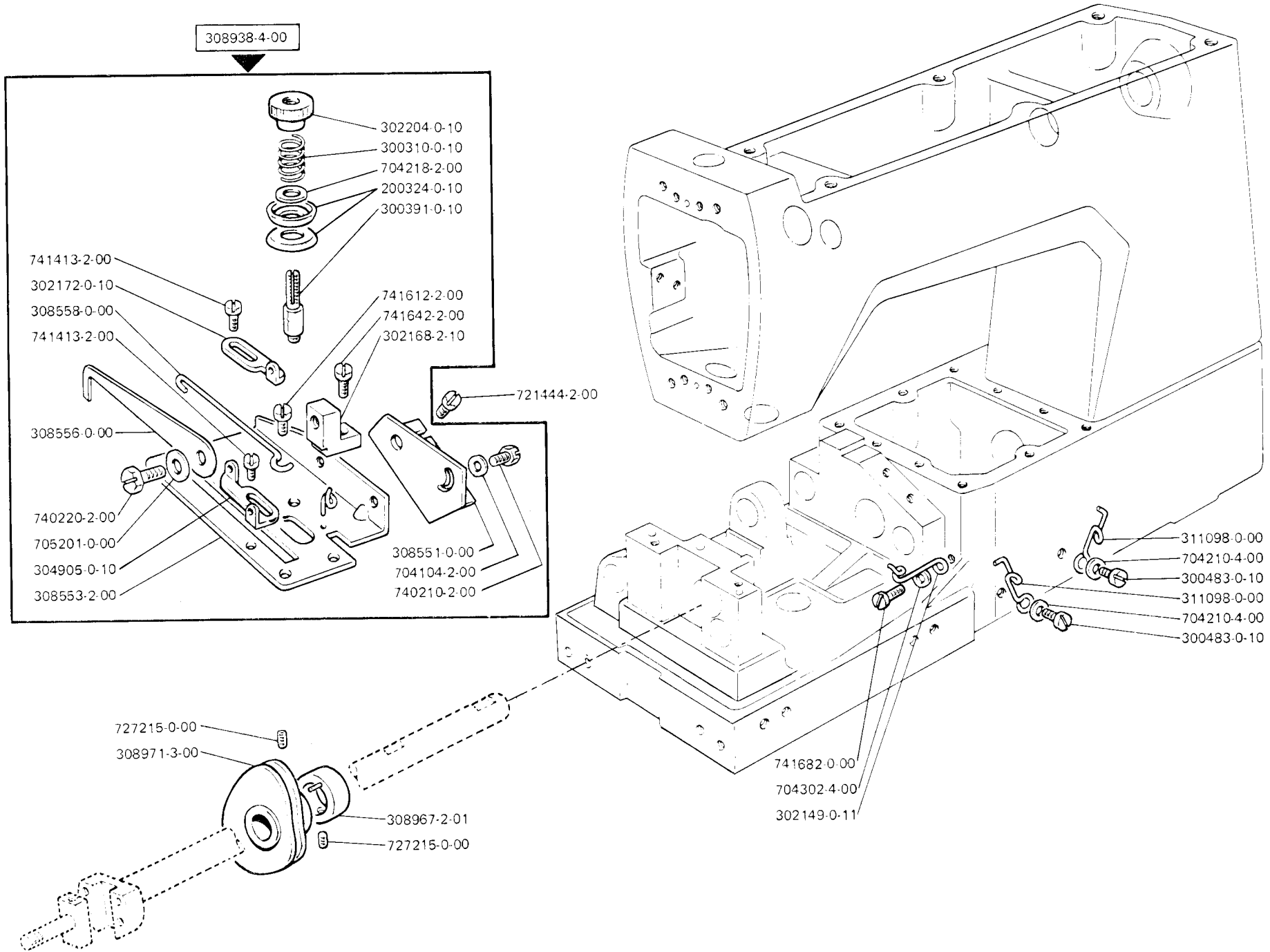
Part. N.	Tav. N.	Part. N.	Tav. N.	Part. N.	Tav. N.	Part. N.	Tav. N.	Part. N.	Tav. N.	Part. N.	Tav. N.	Part. N.	Tav. N.
308184-0-00	10	308327-0-00	6	308576-2-20	11	309139-4-00	3	309831-2-00	5	701032-0-00	10	706221-0-00	24
308185-0-00	10	308330-3-00	6	308698-0-00	15, 18	309177-3-00	3	309838-2-01	8	701051-0-00	11	706454-0-00	5
308190-0-00	8	308331-4-01	11	308699-0-00	16, 18	309179-3-00	3	309839-2-01	8	701134-0-00	11	707240-0-00	9
308191-4-01	8	308334-0-01	6	308700-0-00	16, 17, 19	309181-3-00	3	309850-4-00	15, 17, 26	701405-0-00	1	707241-0-00	9
308195-0-00	8	308340-4-00	7	308709-0-01	15, 16, 19	309227-0-00	3	309853-4-00	15, 17, 26	702403-0-00	6	707556-0-00	3
308197-0-00	5	308341-4-00	7	308710-0-00	15, 19	309228-0-00	3	309854-4-00	17, 26	702437-0-00	29, 33, 34	720411-2-00	3
308199-0-00	5	308342-4-00	7	308711-0-00	15, 17, 19	309239-0-00	3	309856-4-00	16, 26	703003-0-00	11	721412-2-00	30, 31
308201-0-02	1	308353-0-01	5	308712-0-00	17, 19	309241-0-00	3	309857-4-00	15, 26	703005-0-00	4, 14	721413-2-00	30
308203-0-01	1	308358-4-01	8	308713-0-00	17, 19	309242-0-00	3	309858-4-00	15, 16, 26	703810-0-00	6	721424-2-00	10
308206-0-00	11	308379-0-00	11	308716-3-01	5	309243-0-00	3	309859-4-01	15, 16, 26	704017-2-11	14	721435-2-00	28, 29, 30
308207-0-00	10	308381-2-10	8	308717-3-01	5	309252-0-00	3	310012-4-00	15, 16, 17	704104-2-00	2, 33	721443-2-00	7
308208-0-10	11	308389-0-00	5	308737-0-00	9	309302-2-00	3			704210-4-00	2, 4, 28	721444-2-00	1, 2, 10
308209-0-00	11	308406-0-00	9	308770-2-00	3	309314-2-00	3	310074-4-10	16, 30	704216-2-00	30, 33, 34	721474-2-00	3
308210-0-00	11	308407-4-00	5	308774-2-00	8	309323-0-00	3	310351-4-00	7	704218-2-00	2, 7	721475-2-00	12
308211-0-00	10	308410-0-00	5	308775-3-02	15, 16, 24	309324-2-10	3	310355-4-00	7	704226-2-00	6, 8	721484-2-00	11
308213-0-00	11	308412-2-02	9	308778-3-02	24	309332-0-00	3	310561-2-00	10	704236-2-00	9	721485-2-00	7
308214-0-00	10	308413-0-00	9	308780-2-00	8	309351-0-00	3	311098-0-00	2	704240-2-00	9	721494-2-00	9
308215-0-00	10	308418-4-00	8	308783-2-00	3	309352-0-00	3	311395-0-00	11	704302-4-00	2	721514-0-00	10
308218-0-00	4	308451-0-10	1	308802-0-00	7	309360-0-00	3	311408-0-00	32	704306-0-00	25	722063-2-00	11
308220-0-00	5	308452-2-00	1	308851-2-01	5	309371-0-00	3	312266-0-00	21, 24	704306-2-00	3	722084-2-00	3, 5
308226-0-02	11	308458-3-00	6	308852-0-00	5	309372-0-00	3	312268-0-00	21, 24	704309-4-00	7	722411-2-00	11
308228-2-00	11	308459-4-00	6	308853-0-02	5	309506-0-01	16, 20	312269-0-00	21, 24	704316-2-00	12	722431-2-00	14
308263-4-00	6	308461-0-00	12	308855-0-00	4	309507-0-01	16, 20	312271-0-00	21, 24	704345-2-00	12	722453-2-00	11
308272-0-00	6	308495-2-01	1	308858-0-00	5	309508-0-01	16, 20	312811-3-00	6	704346-2-00	12	722905-2-00	12
308273-0-00	6	308500-0-00	8	308859-2-00	5	309509-0-01	16, 20	312865-0-00	9	704347-2-00	8	723266-2-00	32
308278-0-01	8	308501-0-01	1	308887-0-00	5	309510-0-01	17, 20	312870-0-00	21, 24	704406-0-00	8, 21, 19	724420-2-00	1
308281-0-00	8	308502-0-00	1	308938-4-00	2	309511-0-01	17, 20	313375-0-01	1	704409-2-00	12, 30	724441-0-00	8
308283-2-10	8	308503-0-01	1	308957-0-00	11	309562-0-00	8	313624-0-00	9	704419-0-00	4	727002-0-00	34
308286-4-10	8	308504-0-00	1	308967-2-01	2	309758-2-00	26	314042-0-00	19	704608-0-00	29	727215-0-00	2, 7
308287-0-00	8	308505-0-00	1	308971-3-00	2	309761-2-00	26	314051-3-00	15, 19	704813-0-00	10	727834-2-00	1
308289-4-11	8	308506-0-00	1	308996-0-03	9	309762-2-00	26	314053-0-00	15, 18	704814-0-00	8	728232-0-00	8
308292-4-00	7	308507-0-00	1	309042-2-00	3	309763-2-00	26	314054-3-00	15, 24	704846-0-00	7, 8	729011-2-00	7
308293-0-02	5	308512-0-00	1	309045-2-00	3	309764-2-00	26	314169-0-00	5	704849-0-00	7	729012-2-00	1
308294-0-10	8	308518-4-00	1	309046-2-00	3	309765-2-00	26	314183-0-00	5	704869-0-00	5	729013-2-00	5, 8
308296-0-00	8	308521-4-00	1	309058-4-00	3	309766-0-00	26	700004-0-00	6	705013-0-00	5	729024-2-00	32
308297-0-00	7	308527-4-00	1	309059-4-00	3	309767-0-00	26	700205-0-00	9	705201-0-00	2	729032-2-00	10
308310-0-00	7	308551-0-00	2	309063-4-00	3	309768-0-00	26	700208-0-00	12	705718-0-00	3	729033-2-00	32
308311-0-00	7	308553-2-00	2	309084-0-00	3	309769-0-00	26	700215-2-00	8	705734-0-00	7	729034-2-00	14
308320-4-10	9	308556-0-00	2	309086-0-01	3	309773-0-00	26	700596-0-00	5	705834-0-00	7	729044-2-00	5
308325-3-00	6	308558-0-00	2	309088-0-01	3	309776-0-00	26	701004-0-00	10	705970-0-00	3	729054-2-00	32
308326-2-01	6	308558-4-10	11	309126-3-00	3	309830-2-00	5	701009-0-00	7	705977-0-00	11	729434-2-00	7

INDICE NUMERICO INDEX

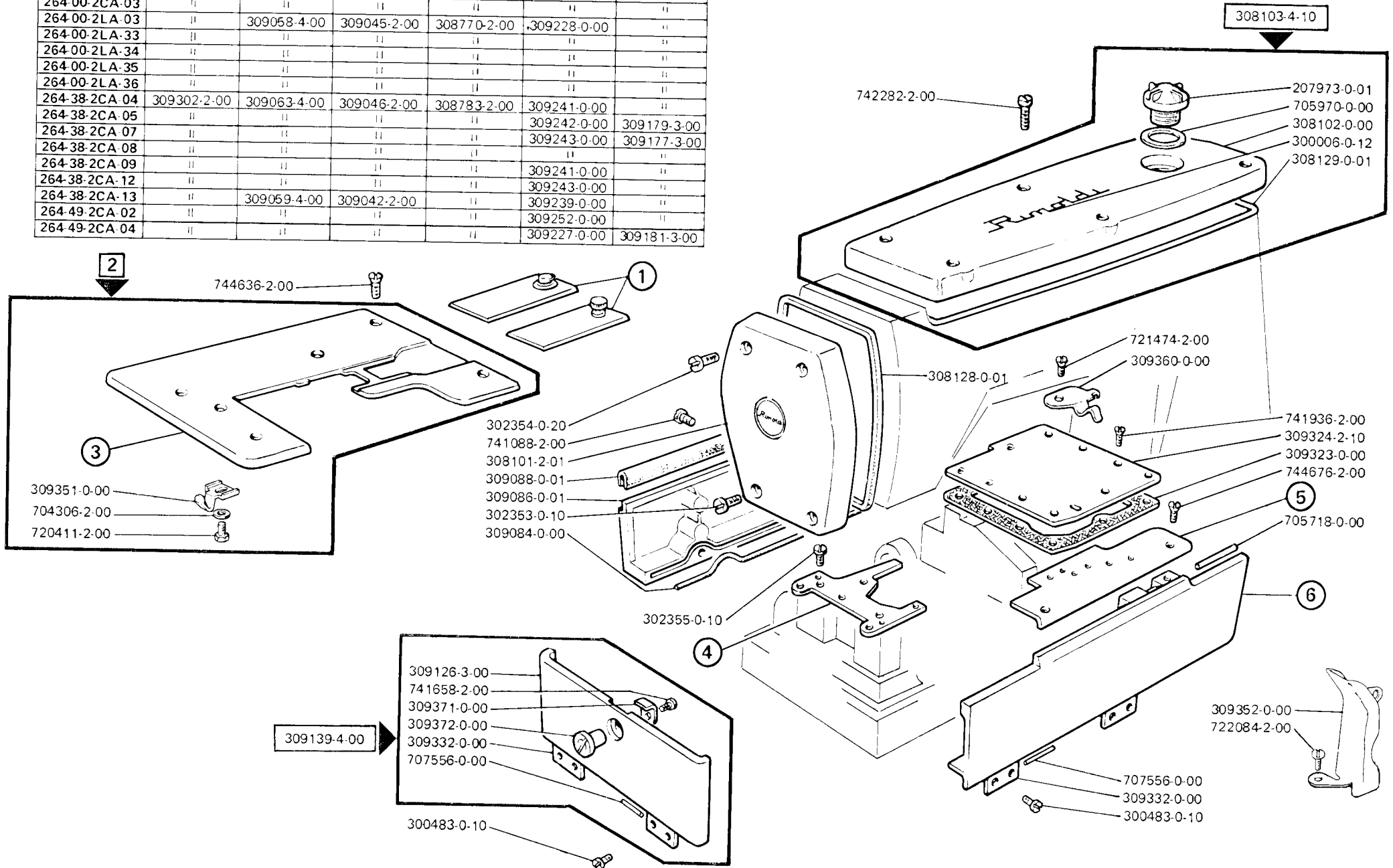
INDICE NUMERICO INDEX

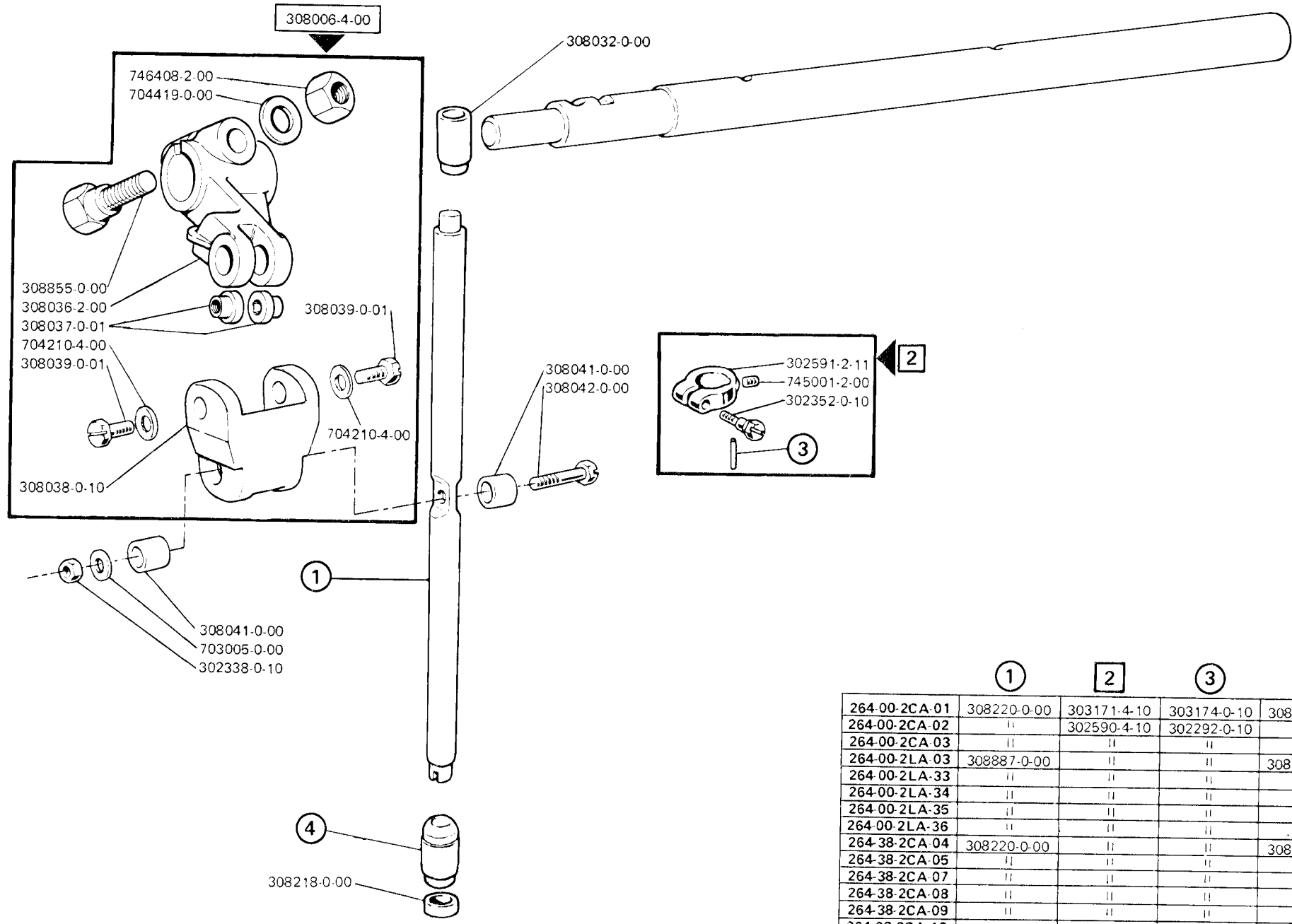
Part. N.	Tav. N.	Part. N.	Tav. N.	Part. N.	Tav. N.	Part. N.	Tav. N.	Part. N.	Tav. N.	Part. N.	Tav. N.	Part. N.	Tav. N.
729904-2-00	9	741675-2-00	6	778238-0-00	7,8	930882-4-00	33,34	991112-0-00	14				
730033-2-00	5,6	741682-0-00	2	778827-0-00	6	930883-4-00	33,34	991114-2-00	32				
730054-2-00	5	741781-2-00	21,22,23	790242-0-00	10	930908-4-01	17,34	991134-0-00	14				
731107-2-00	32		24	790315-0-00	10	930909-4-00	17,33	991135-5-02	14				
731265-0-00	34	741791-2-00	21,22,24	790325-0-00	10	930910-4-00	33	991137-2-02	14				
733008-2-00	12	741913-4-00	28,29	790342-0-00	10	960460-1-10	20	991143-0-10	14				
733211-2-00	14	741936-2-00	3,25	900201-0-10	12	960460-1-11	20	991153-2-00	32				
733504-2-00	21,22,23	741984-2-00	5	900203-0-10	12	960460-1-12	20	991172-0-00	14				
	24	742222-2-00	5,3	900694-0-11	12	990069-0-00	13	991179-0-01	14				
733505-2-00	14	742311-2-00	1	901101-0-00	12	990175-0-10	13	991193-4-00	14				
733507-0-00	10	742423-0-00	6	901102-0-00	12	990176-0-10	13	991199-0-00	14				
733508-2-00	14	742811-0-00	8	920091-0-00	32	990179-4-11	12	991206-0-00	14				
733806-2-00	14	742813-0-00	8	925433-0-00	14	990188-0-10	13	991219-0-00	14				
733813-0-00	12	743541-2-00	12	930062-0-10	34	990193-0-00	13	991246-2-00	14				
739034-2-00	9	743822-0-00	30	930064-0-10	34	990317-0-10	12	991250-0-01	12				
740034-0-00	9	744040-2-00	6	930067-0-10	33,34	990474-0-11	13	991251-4-00	12				
740051-2-00	31	744332-2-00	9	930079-4-10	33	990507-4-00	17,32	991253-4-00	12				
740210-2-00	2,21	744621-0-00	24	930081-0-10	33	990566-0-11	32	991255-0-00	12				
740220-2-00	2	744636-2-00	3	930090-2-11	33,34	990569-2-10	32	991256-0-00	12				
740226-0-00	6	744676-2-00	1,3,7	930091-4-10	33,34	990587-0-11	13	991257-0-00	12				
740240-0-00	11	744730-2-00	18,28,30	930094-0-10	33,34	990592-0-11	32	991259-3-00	12				
740245-2-00	30	744730-2-10	27,29	930105-0-10	13	990593-0-11	32	991264-2-00	14				
740267-0-00	32	745001-2-00	4	930119-0-10	33	990594-2-00	32	991267-0-00	14				
740444-2-00	9	745124-2-00	5	930121-0-10	33	990596-0-10	32	991268-0-00	14				
740632-2-00	9	745126-2-00	1	930136-0-10	33,34	990609-0-10	32	991269-2-00	14				
741050-0-00	5	745136-2-00	8	930202-2-01	33	990610-0-10	32	991279-2-00	14				
741082-2-00	10	745800-2-00	33	930281-0-11	33	990613-0-10	32	991280-0-00	13				
741088-2-00	3	745810-2-00	25,26	930284-4-12	16,17,33	990614-0-10	32	991321-2-00	32				
741092-0-00	10	745812-2-00	5,8	930291-4-10	33	990615-0-10	32	991383-0-10	14				
741403-0-00	31	745815-0-00	6	930302-3-21	33,34	990626-0-10	32	991408-4-02	13				
741413-2-00	2,21,24	745815-2-00	7,8	930308-0-10	33	990628-2-10	32	991415-0-00	13				
741420-2-00	19	745827-2-00	5,9	930310-4-11	33	990629-4-12	17,32	991581-2-00	32				
741433-2-00	21,24	746204-0-00	9	930322-0-10	34	990650-4-12	16,17,32	991582-2-00	32				
741519-0-00	33	746406-2-00	8	930427-3-10	33	990704-0-11	32	991588-4-00	16,32				
741520-2-00	25	746407-2-00	8	930428-4-10	16,17,33	990723-0-00	13						
741611-2-00	26	746408-2-00	4,5	930430-2-10	31	990806-0-00	22,23						
741612-2-00	2	746409-2-00	12	930431-4-10	16,17,31	990808-0-00	22						
741620-2-00	26	746612-2-00	8	930432-2-10	31	990808-0-01	21,24						
741630-2-00	30	766200-1-10	20	930634-0-11	33	990811-0-00	21,23						
741642-2-00	2	766200-1-80	20	930634-0-11	34	990982-0-00	12						
741658-2-00	3	766200-1-90	20	930644-4-11	17,34	991111-2-00	14						



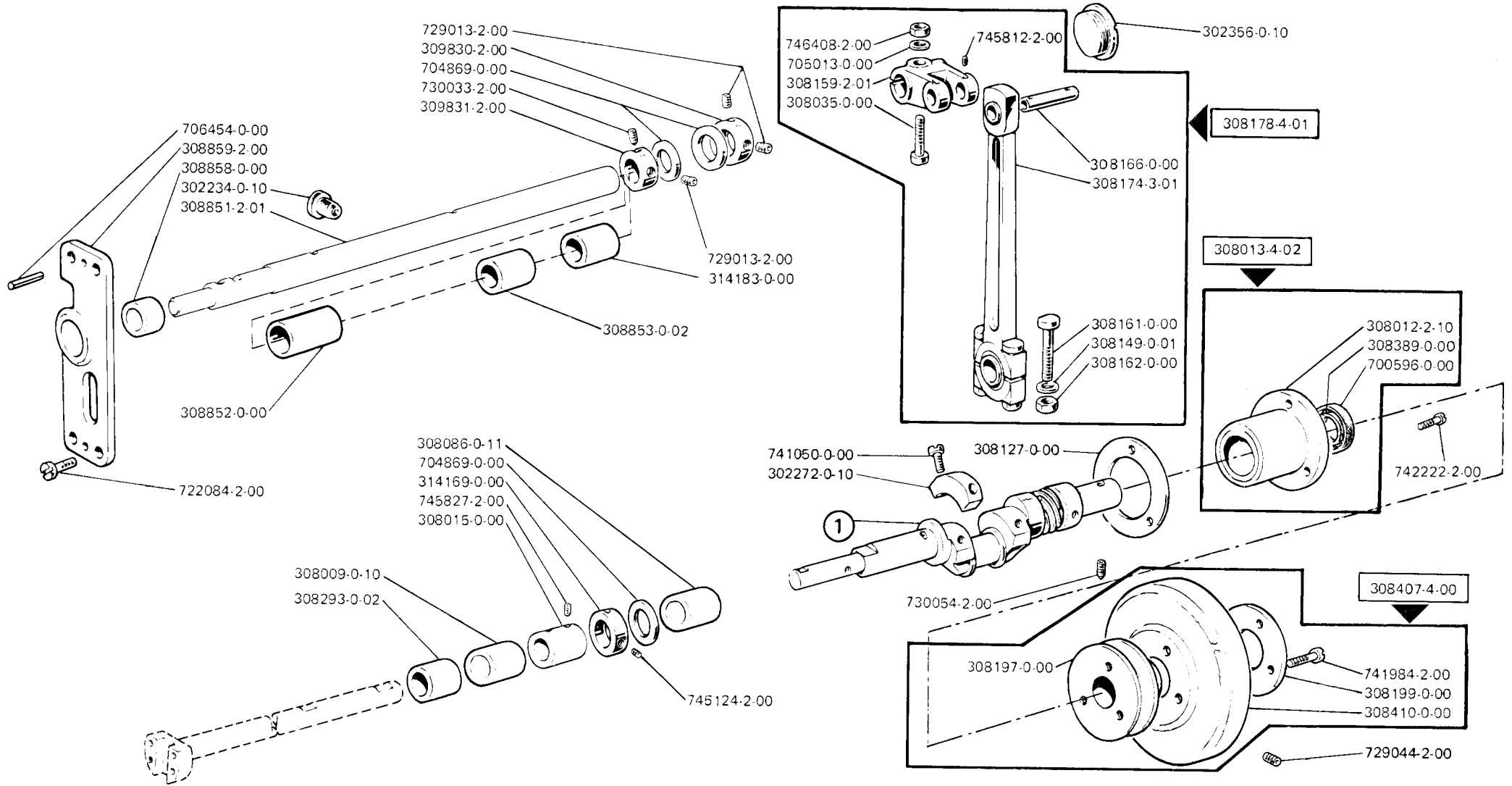


	①	②	③	④	⑤	⑥
264-00-2CA-01	309314-2-00	309059-4-00	309042-2-00	308783-2-00	309227-0-00	309177-3-00
264-00-2CA-02	"	"	"	"	"	"
264-00-2CA-03	"	"	"	"	"	"
264-00-2LA-03	"	309058-4-00	309045-2-00	308770-2-00	309228-0-00	"
264-00-2LA-33	"	"	"	"	"	"
264-00-2LA-34	"	"	"	"	"	"
264-00-2LA-35	"	"	"	"	"	"
264-00-2LA-36	"	"	"	"	"	"
264-38-2CA-04	309302-2-00	309063-4-00	309046-2-00	308783-2-00	309241-0-00	"
264-38-2CA-05	"	"	"	"	309242-0-00	309179-3-00
264-38-2CA-07	"	"	"	"	309243-0-00	309177-3-00
264-38-2CA-08	"	"	"	"	"	"
264-38-2CA-09	"	"	"	"	"	"
264-38-2CA-12	"	"	"	"	309241-0-00	"
264-38-2CA-13	"	309059-4-00	309042-2-00	"	309243-0-00	"
264-49-2CA-02	"	"	"	"	309239-0-00	"
264-49-2CA-04	"	"	"	"	309252-0-00	"
	"	"	"	"	309227-0-00	309181-3-00

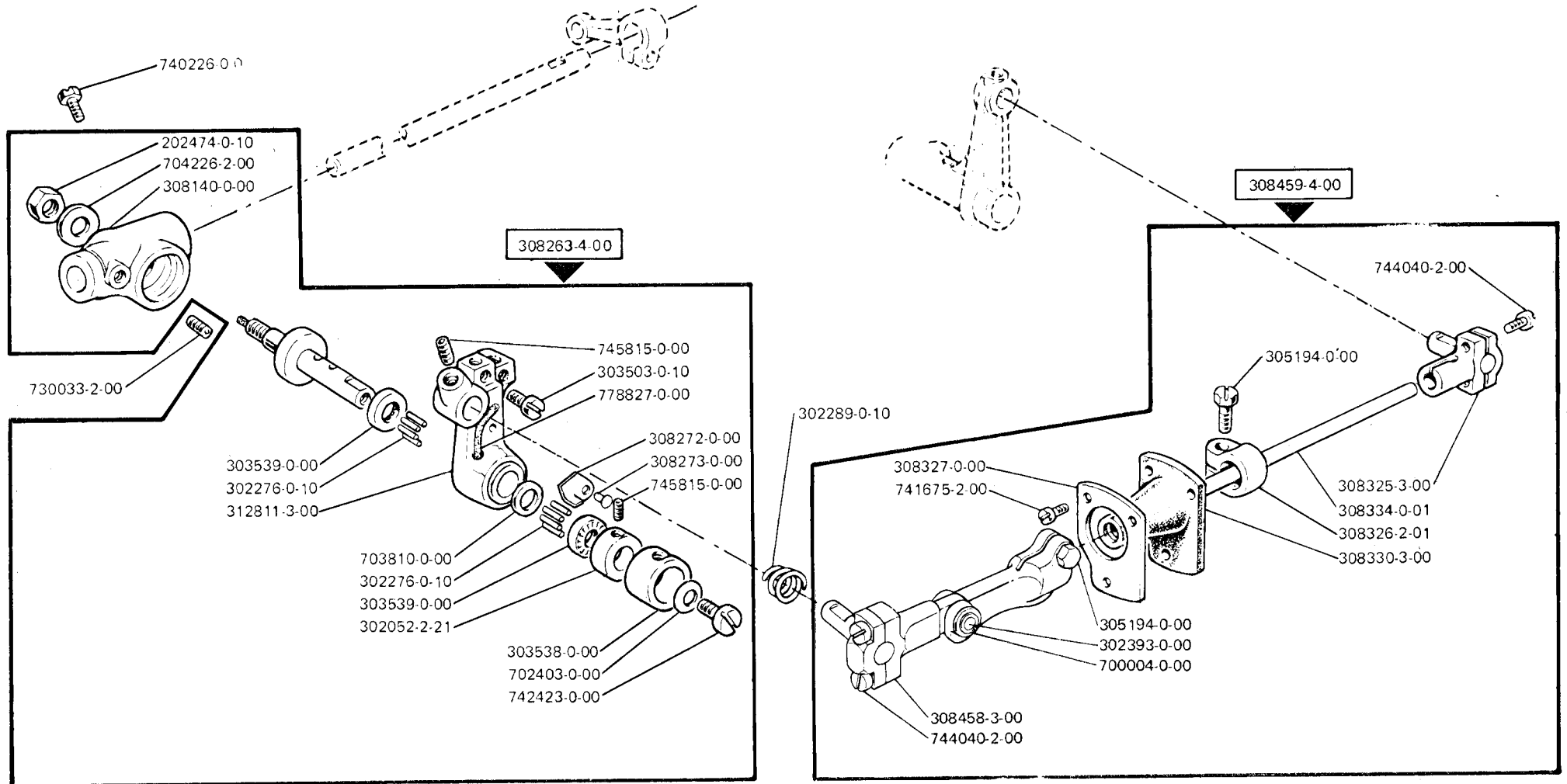


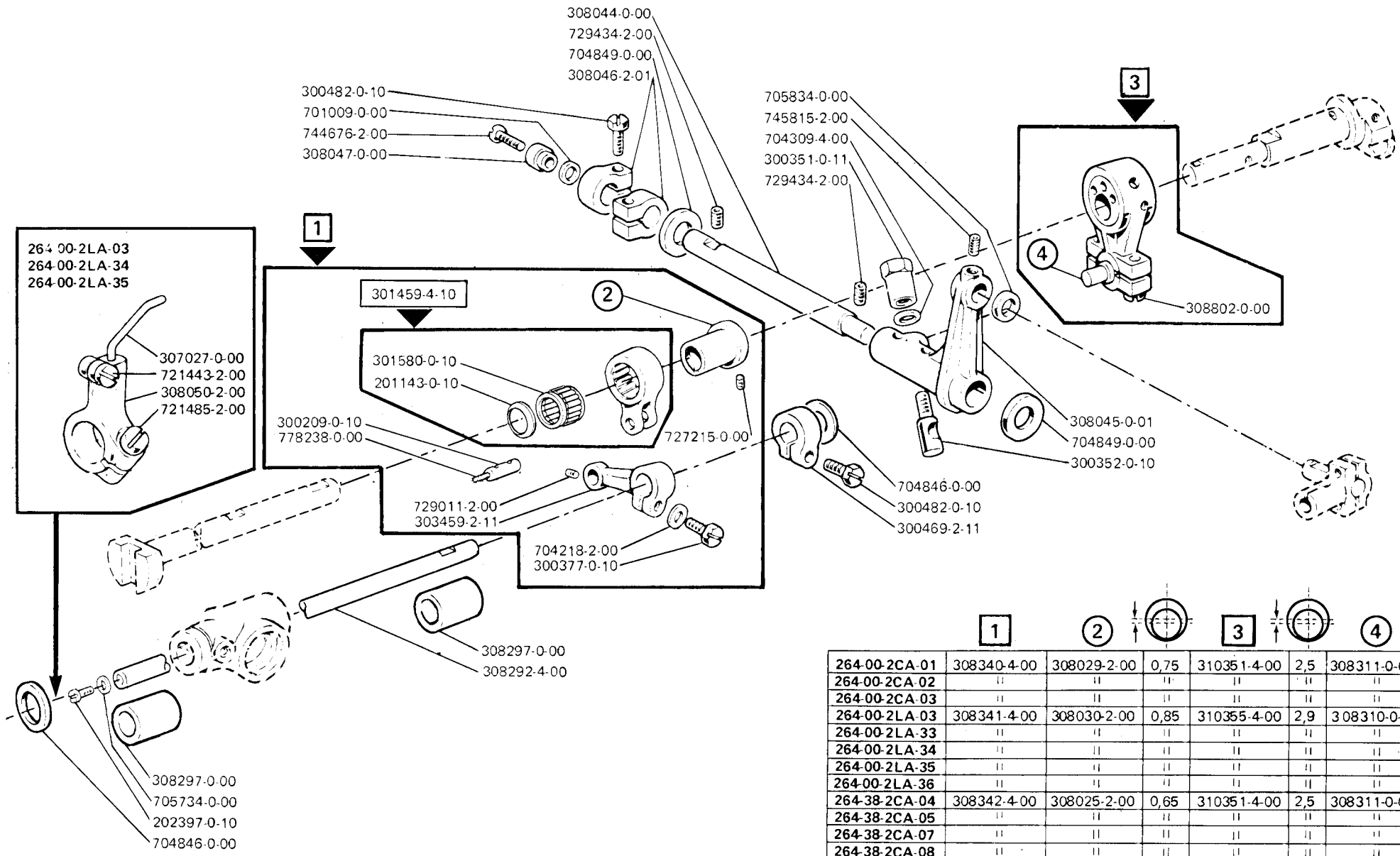


	1	2	3	4
264-00-2CA-01	308220-0-00	303171-4-10	303174-0-10	308031-0-01
264-00-2CA-02		302590-4-10	302292-0-10	
264-00-2CA-03				
264-00-2LA-03	308887-0-00			308353-0-01
264-00-2LA-33				
264-00-2LA-34				
264-00-2LA-35				
264-00-2LA-36				
264-38-2CA-04	308220-0-00			308031-0-01
264-38-2CA-05				
264-38-2CA-07				
264-38-2CA-08				
264-38-2CA-09				
264-38-2CA-12				
264-38-2CA-13				
264-49-2CA-02		303171-4-10	303174-0-10	
264-49-2CA-04				

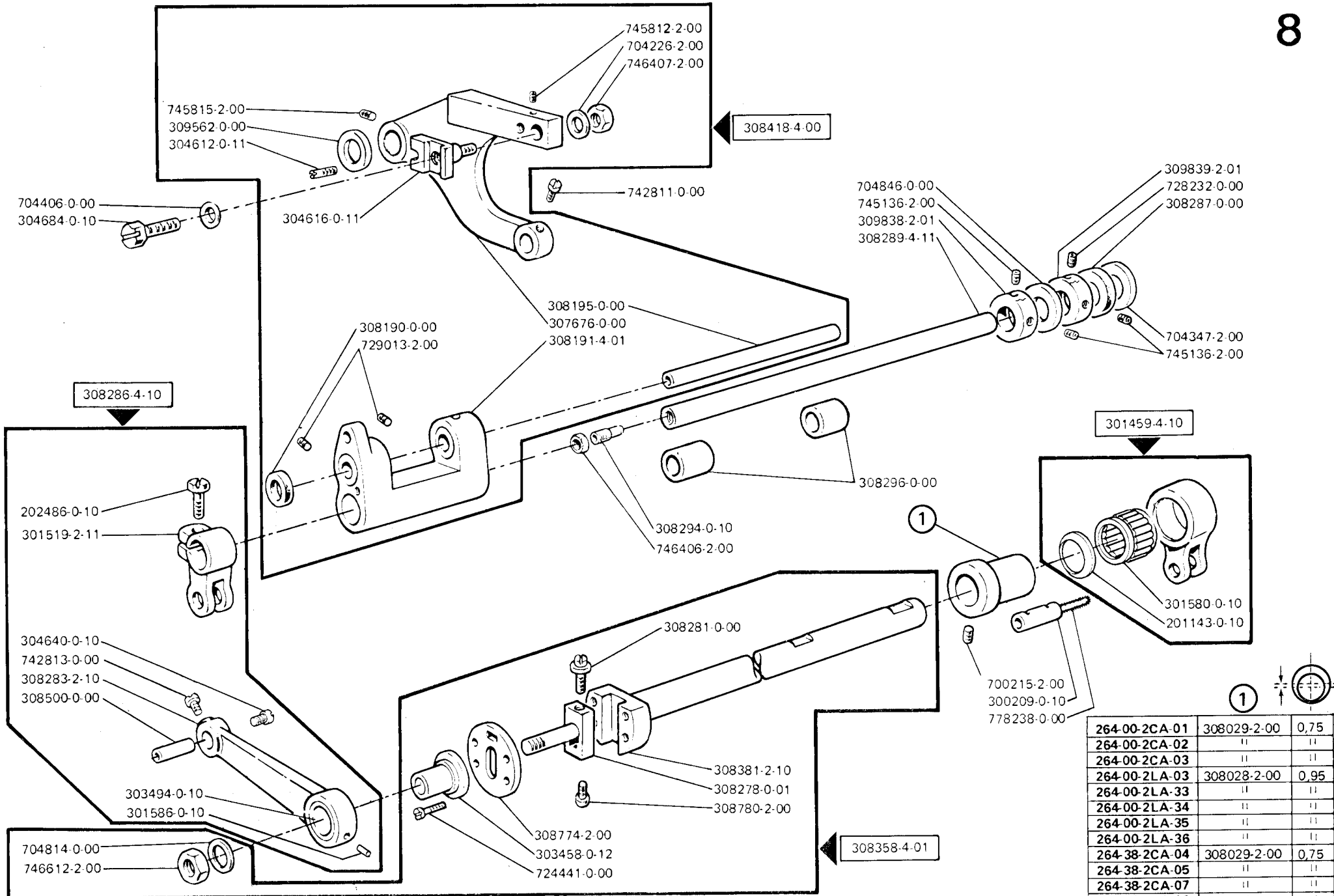


①		①	
264-00-2CA-01	308717-3-01	264-38-2CA-04	308717-3-01
264-00-2CA-02		264-38-2CA-05	
264-00-2CA-03		264-38-2CA-07	
264-00-2LA-03	308716-3-01	264-38-2CA-08	
264-00-2LA-33		264-38-2CA-09	
264-00-2LA-34		264-38-2CA-12	
264-00-2LA-35		264-38-2CA-13	
264-00-2LA-36		264-49-2CA-02	
		264-49-2CA-04	

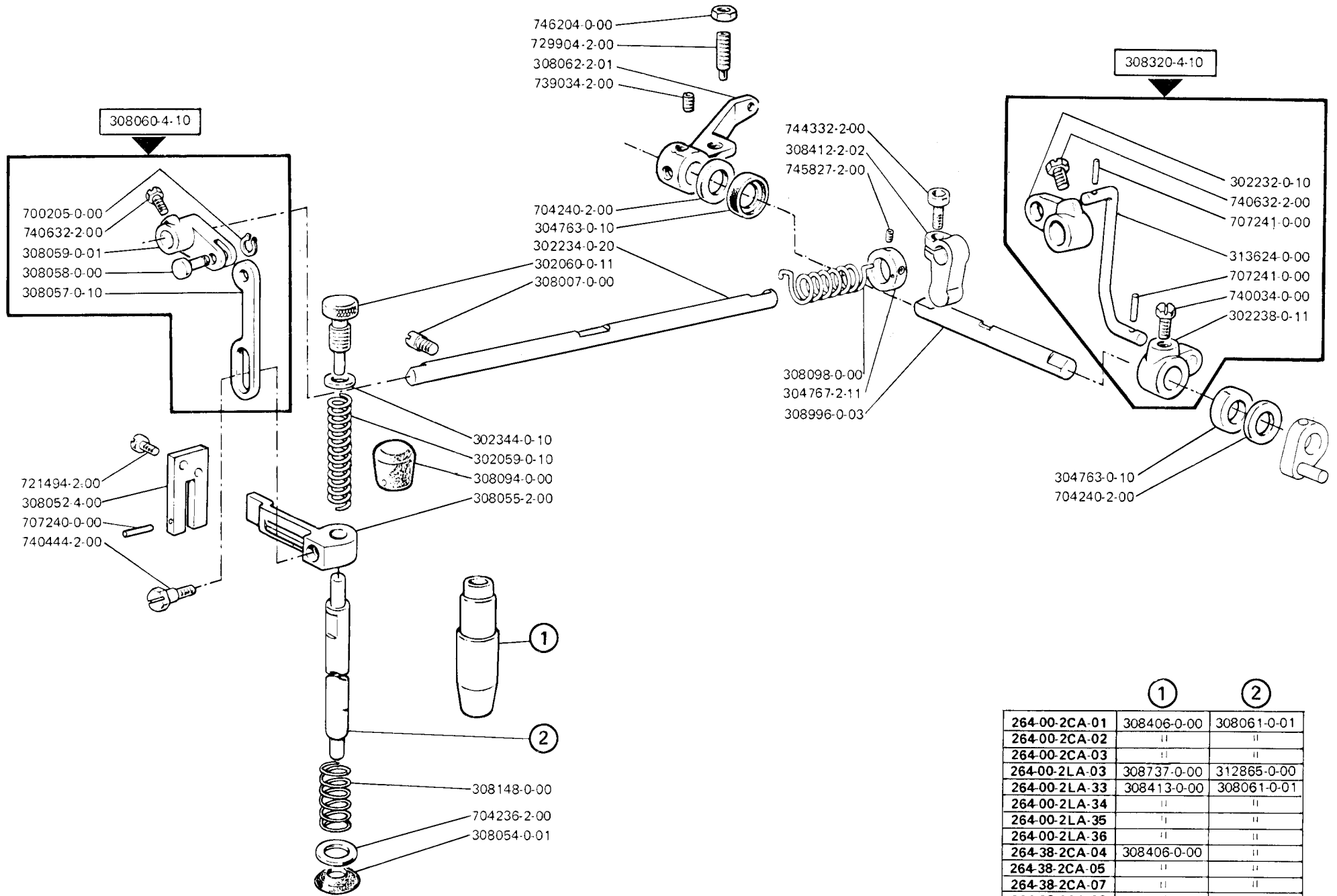




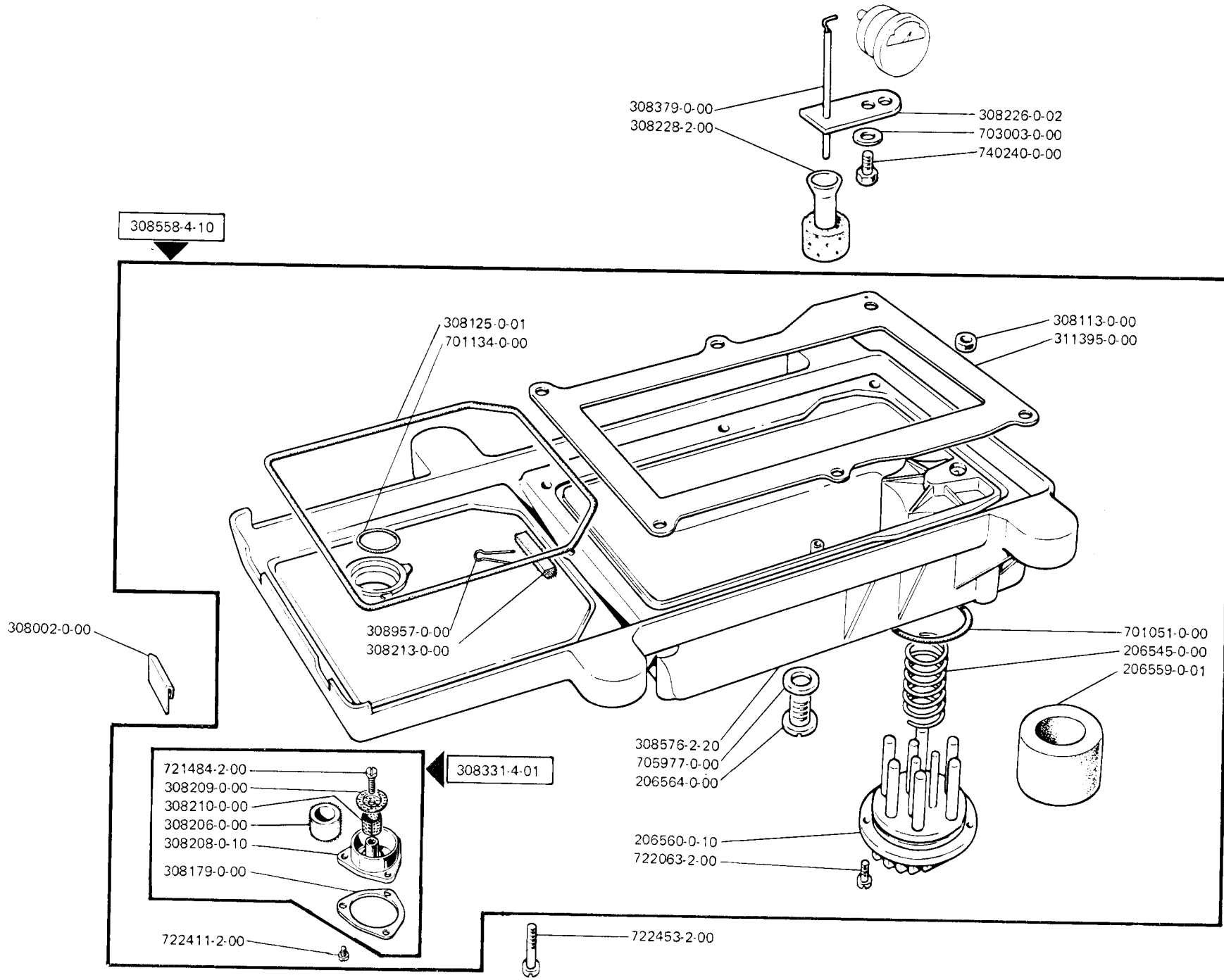
	1	2	3	4		
264-00-2CA-01	308340-4-00	308029-2-00	0,75	310351-4-00	2,5	308311-0-00
264-00-2CA-02						
264-00-2CA-03						
264-00-2LA-03	308341-4-00	308030-2-00	0,85	310355-4-00	2,9	308310-0-00
264-00-2LA-33						
264-00-2LA-34						
264-00-2LA-35						
264-00-2LA-36						
264-38-2CA-04	308342-4-00	308025-2-00	0,65	310351-4-00	2,5	308311-0-00
264-38-2CA-05						
264-38-2CA-07						
264-38-2CA-08						
264-38-2CA-09						
264-38-2CA-12						
264-38-2CA-13	308340-4-00	308029-2-00	0,75			
264-49-2CA-02						
264-49-2CA-04						

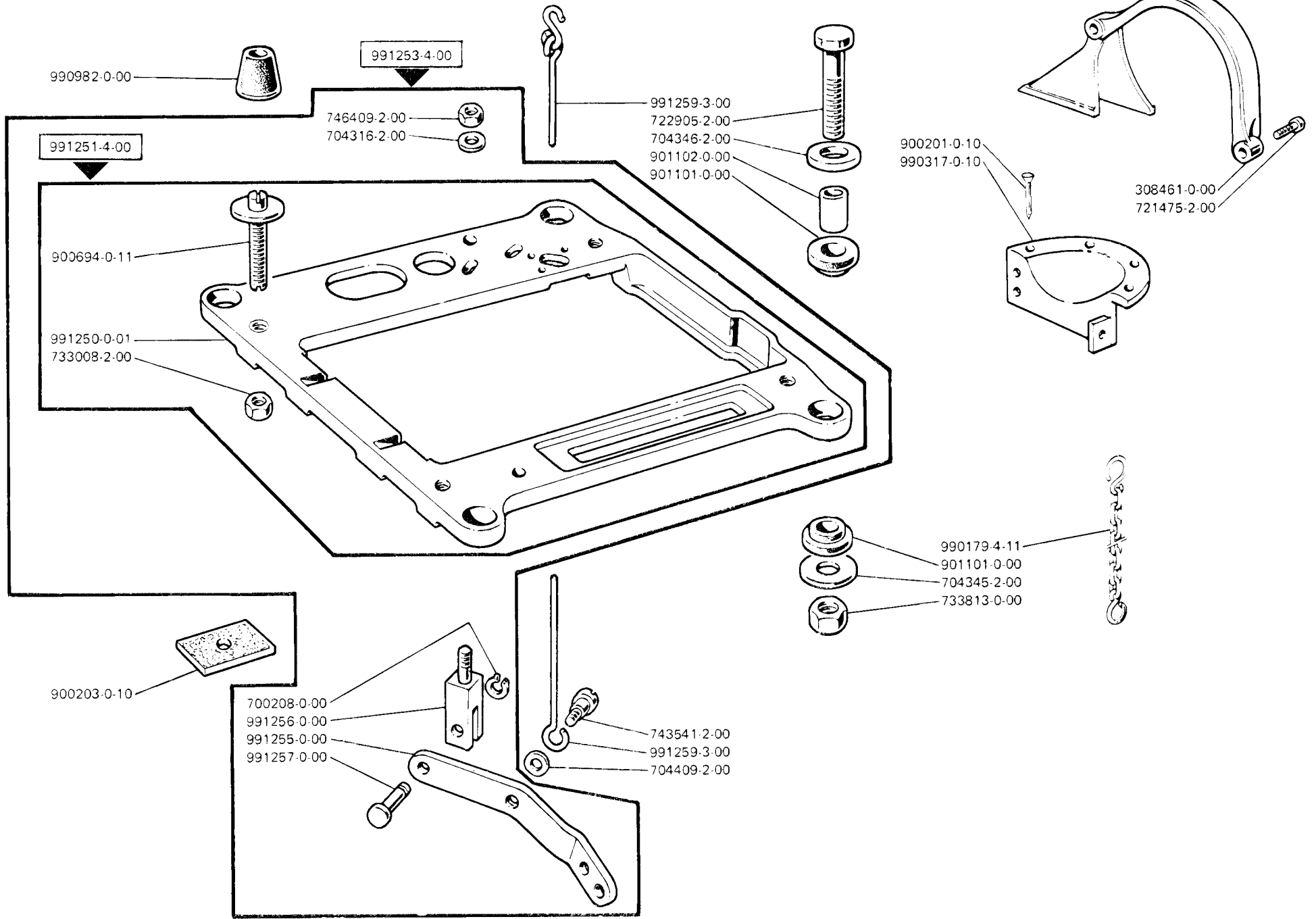


264-00-2CA-01	308029-2-00	0,75
264-00-2CA-02	"	"
264-00-2CA-03	"	"
264-00-2LA-03	308028-2-00	0,95
264-00-2LA-33	"	"
264-00-2LA-34	"	"
264-00-2LA-35	"	"
264-00-2LA-36	"	"
264-38-2CA-04	308029-2-00	0,75
264-38-2CA-05	"	"
264-38-2CA-07	"	"
264-38-2CA-08	"	"
264-38-2CA-09	"	"
264-38-2CA-12	"	"
264-38-2CA-13	"	"
264-49-2CA-02	"	"
264-49-2CA-04	"	"

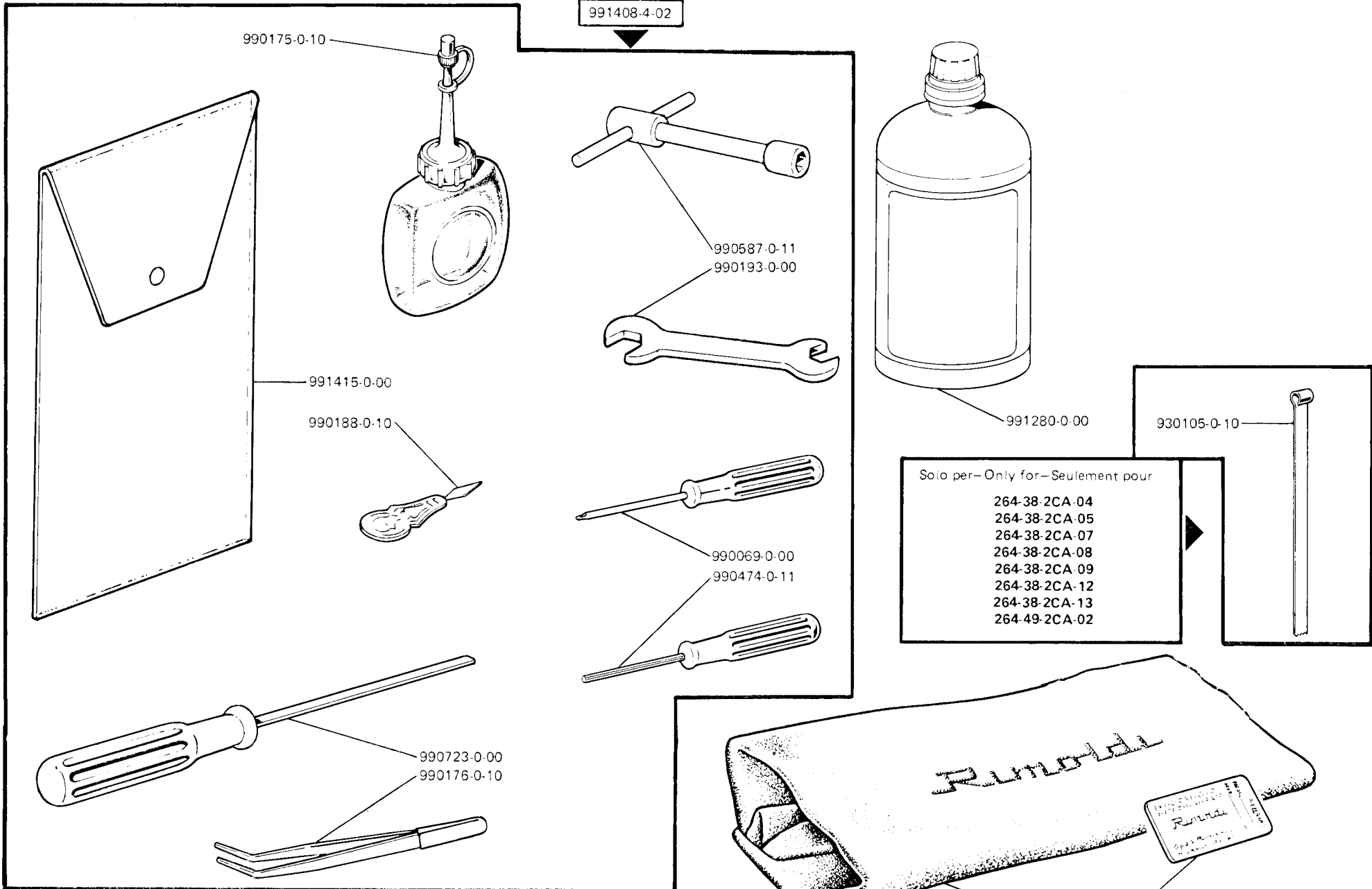


	①	②
264-00-2CA-01	308406-0-00	308061-0-01
264-00-2CA-02		
264-00-2CA-03		
264-00-2LA-03	308737-0-00	312865-0-00
264-00-2LA-33	308413-0-00	308061-0-01
264-00-2LA-34		
264-00-2LA-35		
264-00-2LA-36		
264-38-2CA-04	308406-0-00	
264-38-2CA-05		
264-38-2CA-07		
264-38-2CA-08		
264-38-2CA-09		
264-38-2CA-12		
264-38-2CA-13		
264-49-2CA-02		
264-49-2CA-04		





991408-4-02

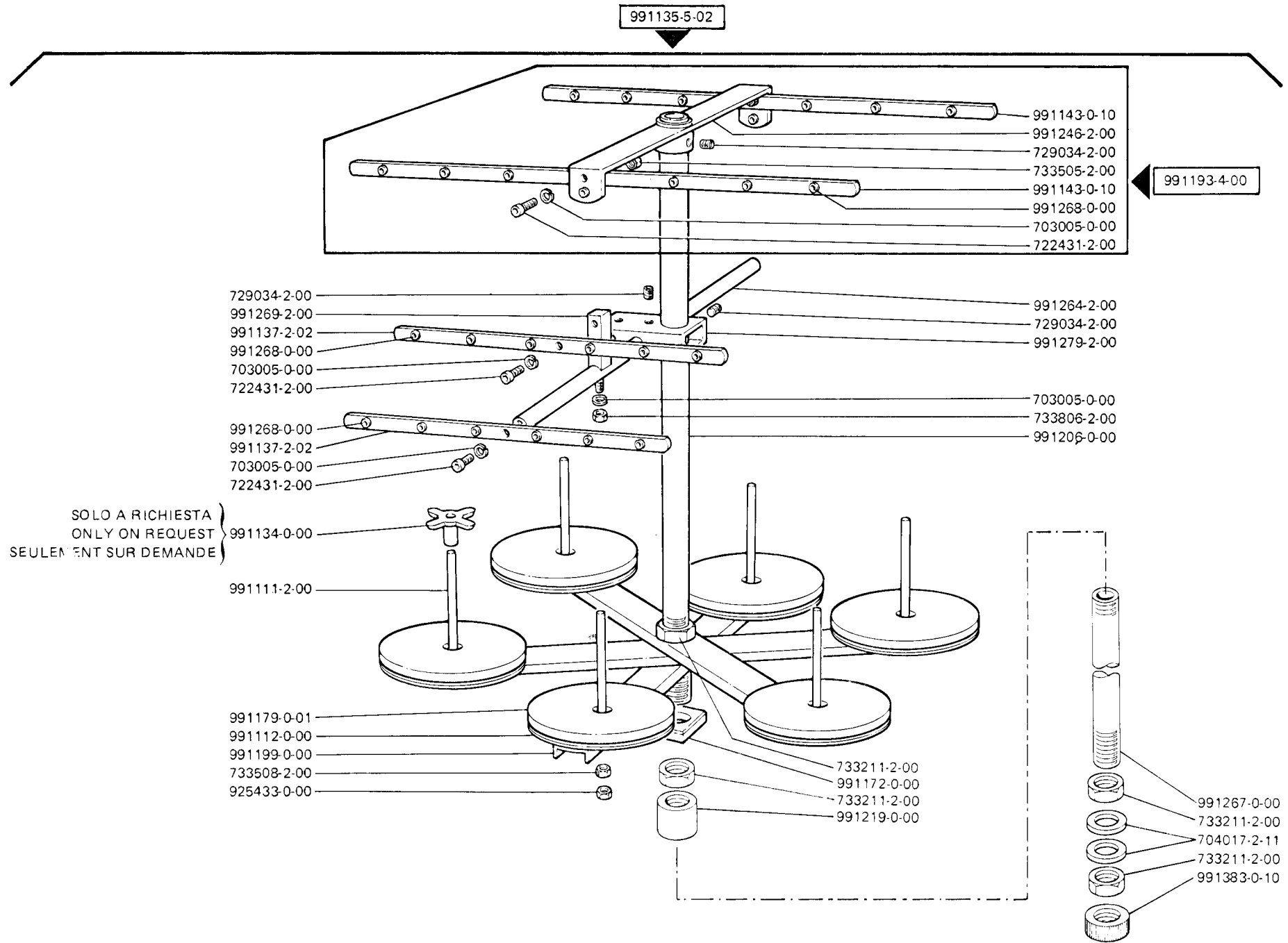


★ per l'ordinazione della bustina citare lo stesso simbolo dell'ago montato sulla testa.

★ to order packet of needles please specify symbol of needle fitted on machine.

★ pour commander un sachet d'aiguille donner le symbol de l'aiguille montee sur la tete.

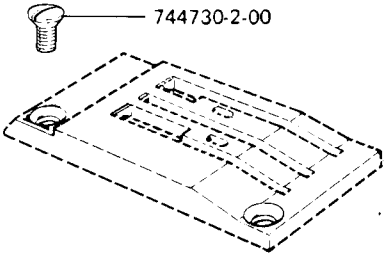
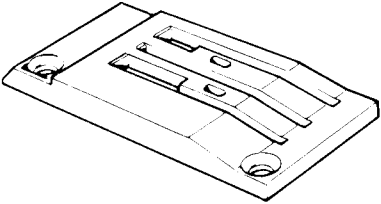
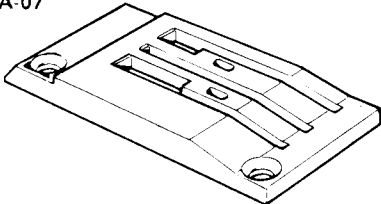
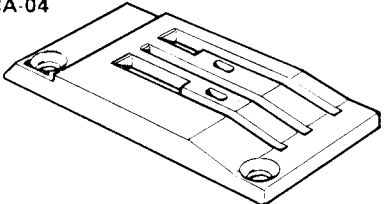
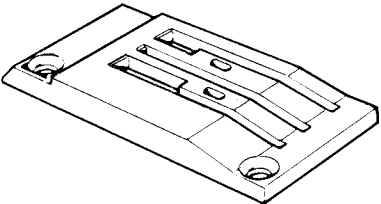
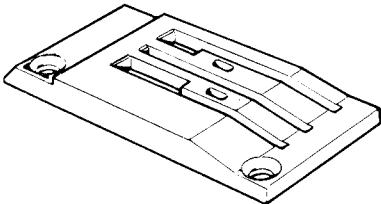
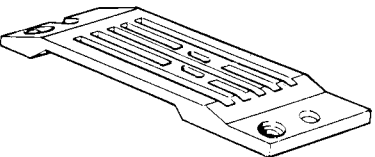
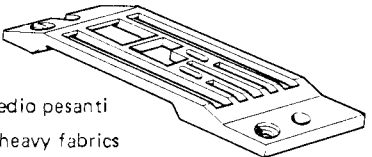
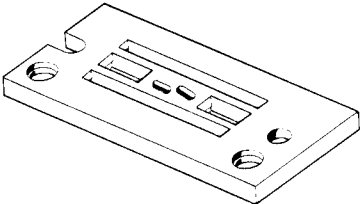
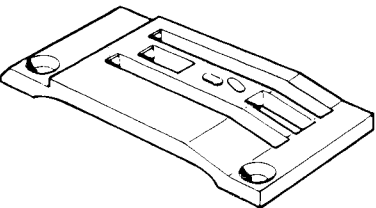
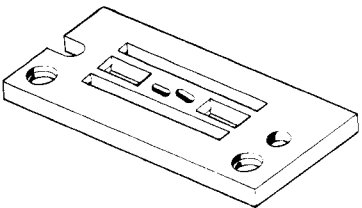
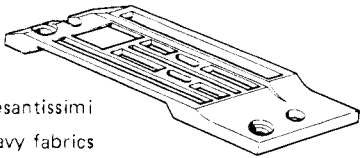
990578-0-13

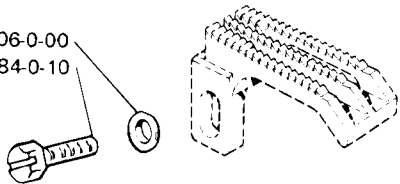
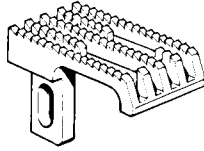

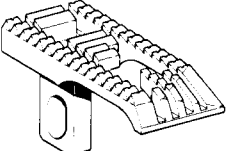
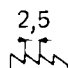
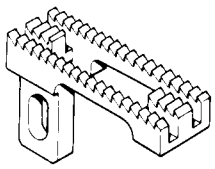
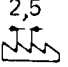
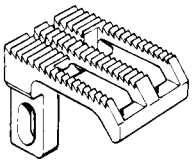
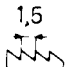
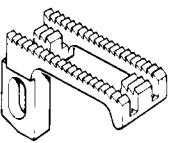

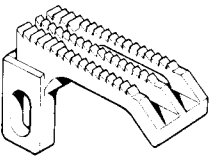
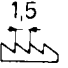
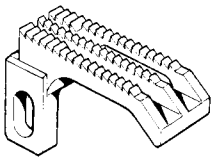

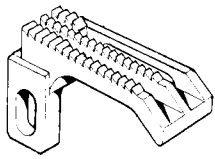

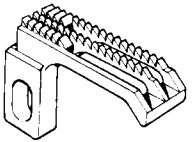
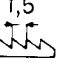
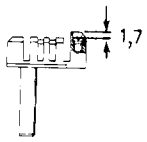
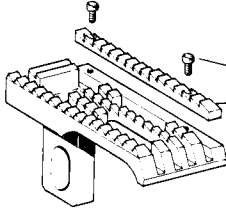



TAV. 15

ORGANI DI CUCITURA					SEWING PARTS					ORGANES DE COUTURE			
	R = A RICHIESTA					ON REQUEST				SUR DEMANDE			
	■ = ABBINAMENTO					COUPLING				JUMELAGE			
Testa Head Tête	Placca Plate Plaque		Griffa Feed-dog Griffe		Piedino Presserfoot Pied-presseur	Crochet ant. Front looper Crochet ant.	Crochet post. Rear looper Crochet pos.	Morsetto Needle clamp Porte aiguil.	Salva ago Rear needle guard Protège-aiguil	Guida Guide Guide	Supporto Support Support	Porta rotolo Roll-carrier Porte-rouleau	Frenaggio Brake Freinage
264-00-2CA-01	308698-0-00	0,4	308709-0-00	1,5	308775-3-02	303154-0-21	303153-0-21	309857-4-00	303156-4-13	310012-4-00			
264-00-2CA-02	303338-0-11	4,8	308710-0-00	1,5	306648-3-02	303335-0-12	303334-0-12	309853-4-00	303337-4-12	301202-4-10 301203-4-10 301204-4-10 301205-4-10	R R R R		
264-00-2CA-03	303359-0-11	6	308711-0-00	1,5	306650-3-02	301426-0-12	301425-0-12	309850-4-00	303358-4-13	301202-4-10 301203-4-10 301204-4-10 301205-4-10	R R R R		
264-00-2LA-03	314053-0-00 305557-0-00 ■ R	6,4 6,4	314051-3-00 305556-0-00 ■ R	2,5 2,5	314054-3-00 305554-3-00 ■ R	307062-0-02	307063-0-02	309859-4-01	307038-4-11	307040-4-01	R		
264-00-2LA-33	307149-0-01	0,4	307148-0-00	2,5	307146-3-01	307171-0-02	307170-0-02	309858-4-00	307135-4-01				
264-00-2LA-34	305549-0-00	6,4	305548-0-01	2,5	305547-3-02 305550-3-00 ■ R	307062-0-02	307063-0-02	309859-4-01	307038-4-11	305071-4-00 305072-4-00 307040-4-01 307064-4-00 ■ R	R R R R		

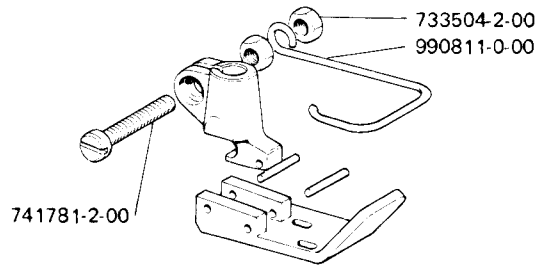
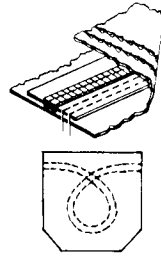
ORGANI DI CUCITURA					SEWING PARTS					ORGANES DE COUTURE				
R = A RICHIESTA ■ = ABBINAMENTO					ON REQUEST COUPLING					SUR DEMANDE JUMELAGE				
Testa Head Tête	Placca Plate Plaque		Griffa Feed-dog Griffe		Piedino Presserfoot Pied-presseur		Crochet ant. Front looper Crochet ant.	Crochet post. Rear looper Crochet pos.	Morsetto Needle clamp Porte aiguil.	Salva ago Rear needle guard Protège-aiguil	Guida Guide Guide	Supporto Support Support	Porta rotolo Roll-carrier Porte-rouleau	Frenaggio Brake Freinage
264-00-2LA-35	305549-0-00	6,4	305548-0-01	2,5	307058-3-01 305214-3-00 306876-3-00 307055-3-01	R R R	307062-0-02	307063-0-02	309859-4-01	307038-4-11				
264-00-2LA-36	308699-0-00	0,4	308709-0-01	1,5	308775-3-02		307171-0-02	307170-0-02	309858-4-00	307135-4-01				
264-38-2CA-04	301343-0-01	9	308700-0-00	1,5	306657-3-01		309509-0-01	309508-0-01	309856-4-00	303550-4-13	303624-3-10	930431-4-10	990650-4-12	930428-4-10
264-38-2CA-05	301343-0-10	9	308700-0-00	1,5	306658-3-01		309509-0-01	309508-0-01	309856-4-00	303550-4-13	303612-4-10 303624-3-10 310074-4-10	930431-4-10	990650-4-12 991588-4-00	930428-4-10
264-38-2CA-07	301343-0-10	9	308700-0-00	1,5	306694-3-01		309509-0-01	309508-0-01	309856-4-00	303550-4-13	310012-4-00		990650-4-12	930284-4-12
264-38-2CA-08	303551-0-10	10,5	308700-0-00	1,5	306691-3-01		309507-0-01	309506-0-01	309856-4-00	303550-4-13	310012-4-00		990650-4-12	930284-4-12

 <p>744730-2-00</p>	<p>301341-0-10</p> <p>264-38-2CA-09 264-38-2CA-12</p>  <p>12</p>	<p>301343-0-10</p> <p>264-38-2CA-04 264-38-2CA-05 264-38-2CA-07</p>  <p>9</p>
<p>303338-0-11</p> <p>264-00-2CA-02 264-49-2CA-02 264-49-2CA-04</p>  <p>4,8</p>	<p>303359-0-11</p> <p>264-00-2CA-03 264-38-2CA-13</p>  <p>6</p>	<p>303551-0-10</p> <p>264-38-2CA-08</p>  <p>10,5</p>
<p>305549-0-00</p> <p>264-00-2LA-34 264-00-2LA-35</p>  <p>6,4</p>	<p>305557-0-00</p> <p>264-00-2LA-03</p> <p>Per tessuti medio pesanti For medium-heavy fabrics Pour tissus moyen - épais</p>  <p>6,4</p>	<p>307149-0-01</p> <p>264-00-2LA-33</p>  <p>0,4</p>
<p>308698-0-00</p> <p>264-00-2CA-01</p>  <p>0,4</p>	<p>308699-0-00</p> <p>264-00-2LA-36</p>  <p>0,4</p>	<p>314053-0-00</p> <p>264-00-2LA-03</p> <p>Per tessuti pesantissimi For extra heavy fabrics Pour tissus tres épais</p>  <p>6,4</p>

<p>704406-0-00 304684-0-10</p> 	<p>305548-0-01</p> <p>264-00-2LA-34 264-00-2LA-35</p>  <p>2,5</p> 	<p>305556-0-00</p> <p>264-00-2LA-03</p>  <p>Per tessuti medio pesanti For medium-heavy fabrics Pour tissus moyen - épais</p> <p>2,5</p> 
<p>307148-0-00</p> <p>264-00-2LA-33</p>  <p>2,5</p> 	<p>308700-0-00</p> <p>264-38-2CA-04 264-38-2CA-05 264-38-2CA-07 264-38-2CA-08 264-38-2CA-09 264-38-2CA-12</p>  <p>1,5</p> 	<p>308709-0-01</p> <p>264-00-2CA-01 264-00-2LA-36</p>  <p>1,5</p> 
<p>308710-0-00</p> <p>264-00-2CA-02</p>  <p>1,5</p> 	<p>308711-0-00</p> <p>264-00-2CA-03 264-38-2CA-13</p>  <p>1,5</p> 	<p>308712-0-00</p> <p>264-49-2CA-02</p>  <p>1,5</p> 
<p>308713-0-00</p> <p>264-49-2CA-04</p>  <p>1,5</p> 	<p>314051-3-00</p> <p>264-00-2LA-03</p>  <p>1,7</p>  <p>741420-2-00 314042-0-00</p> <p>Per tessuti pesantissimi For extra heavy fabrics Pour tissus tres épais</p> <p>2,5</p> 	

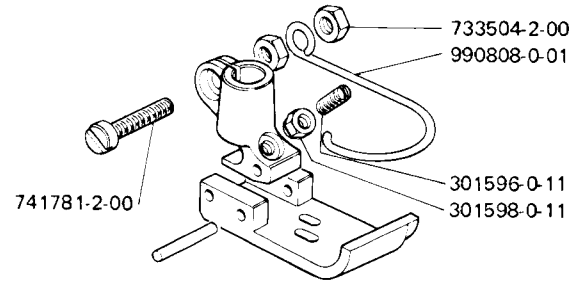
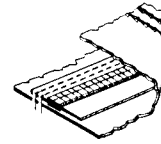
305214-3-00

264-00-2LA-35



305461-3-11

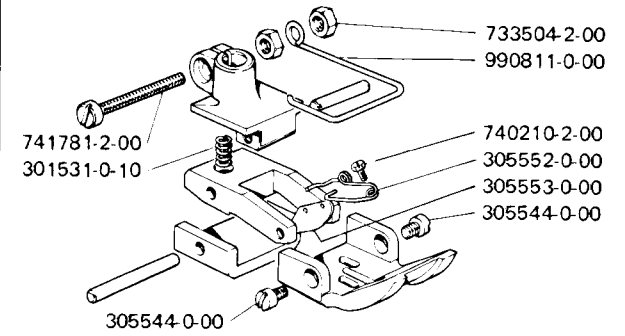
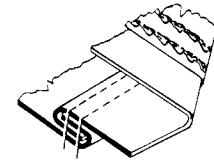
264-49-2CA-02



Per applicare la cerniera lampo sul rapporto sinistro dei pantaloni
 For attaching us zip fasteners on left fly of trousers
 Pour appliquer des fermeturet a glissiere sur la côté gauche des braguettes

305547-3-02

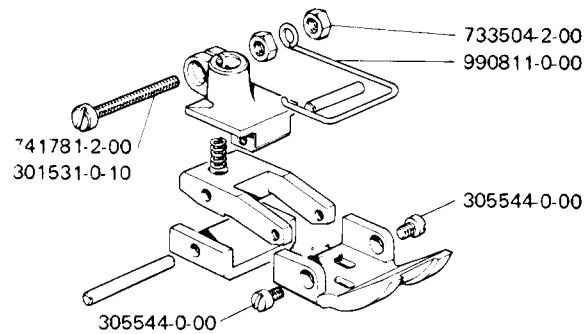
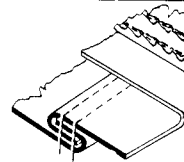
264-00-2LA-34



Piedino con pressello nella prua per premere il tessuto all'incrocio con cuciture preesistenti
 Presser foot with presser finger in the front of the shoe to press the fabrics when passing over cross seams
 Pied presseur avec doigt presseur dans la proue pour presser les tissus au croisement des coutures préexistantes

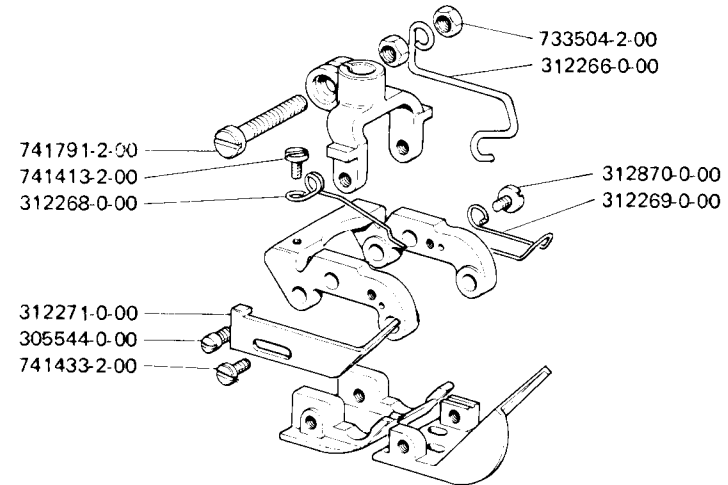
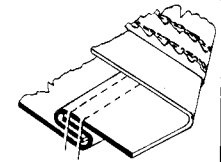
305550-3-00

264-00-2LA-34

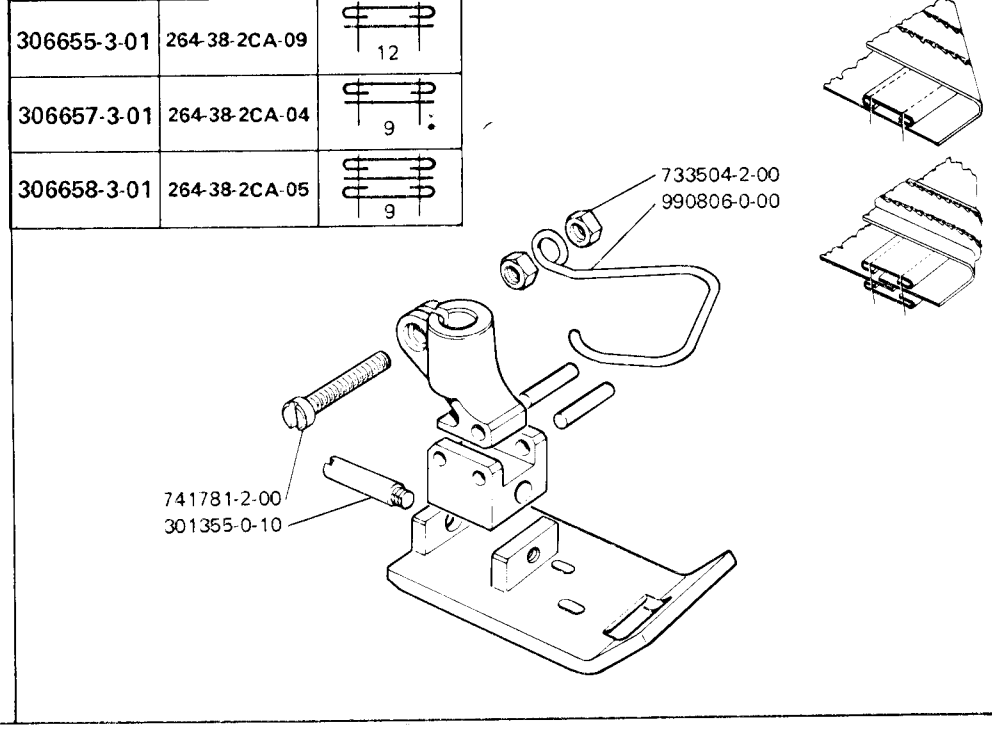
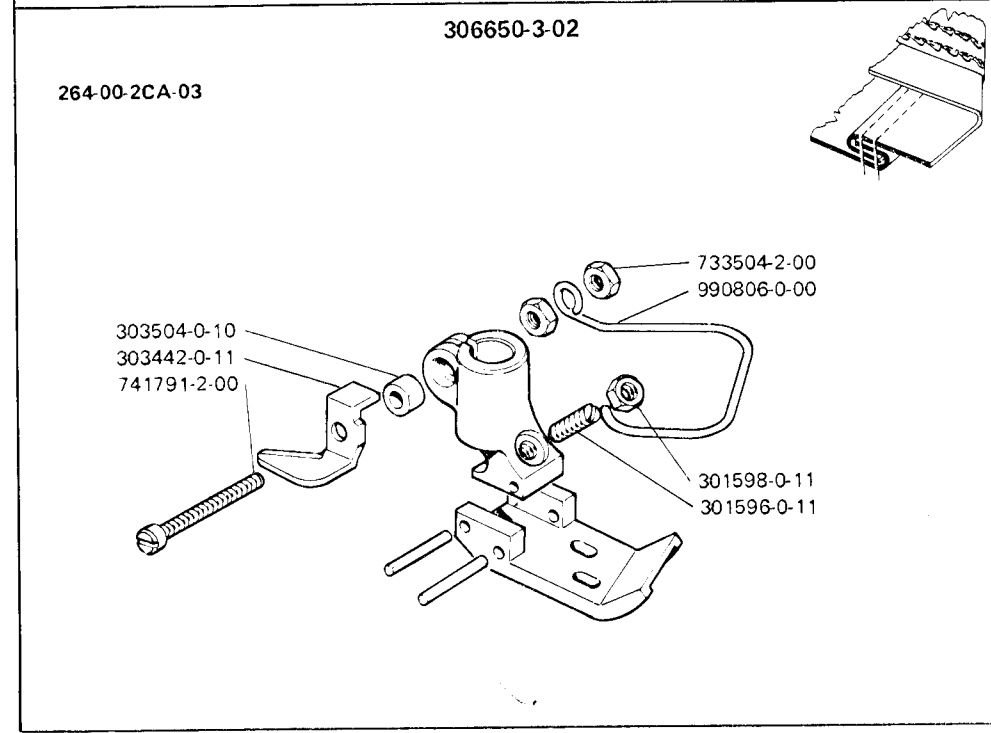
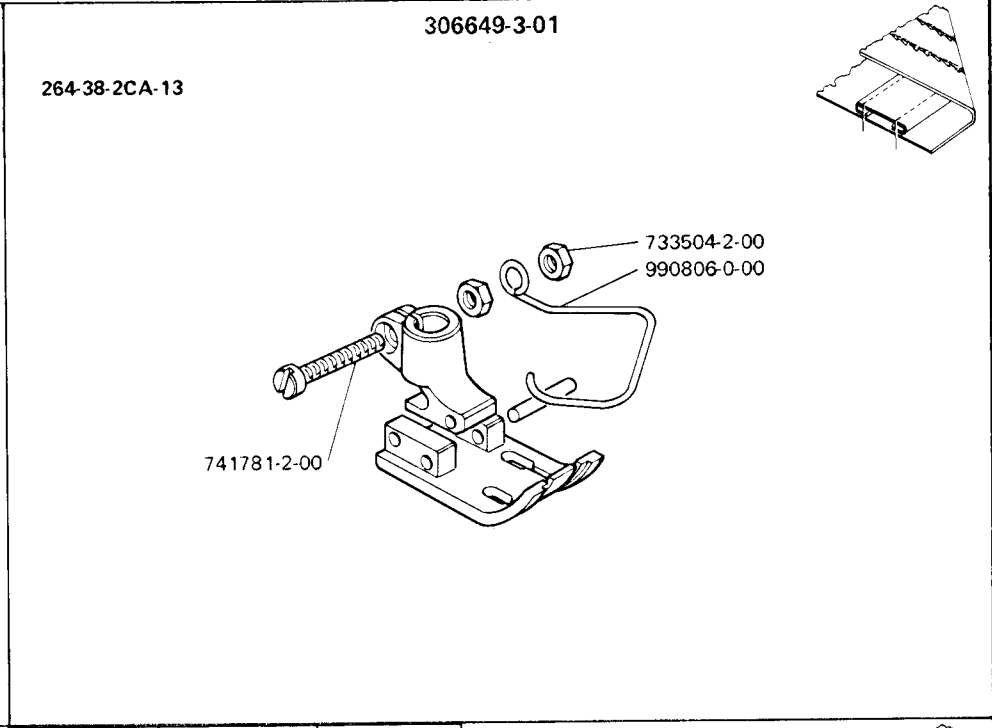
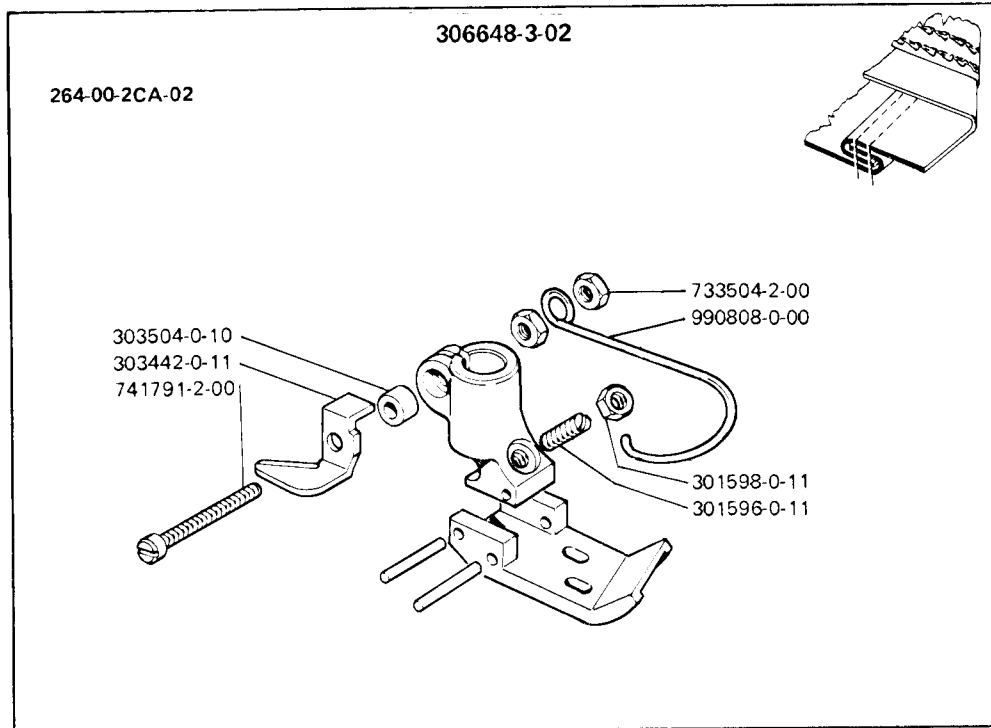


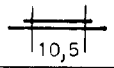
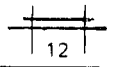
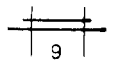
305554-3-00

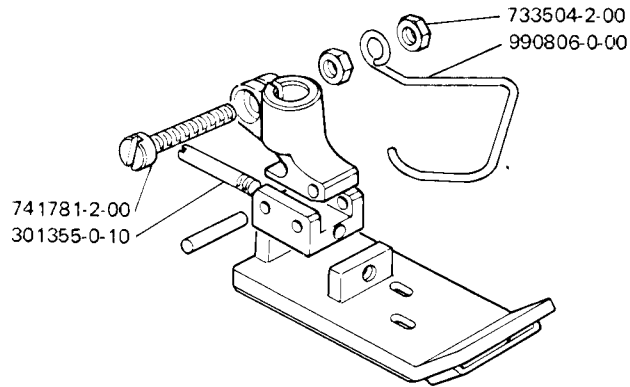
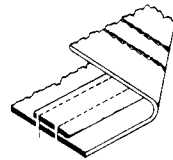
264-00-2LA-03



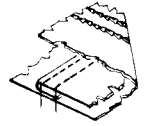
Per tessuti medio pesanti
 For medium-heavy fabrics
 Pour tissus moyen - épais



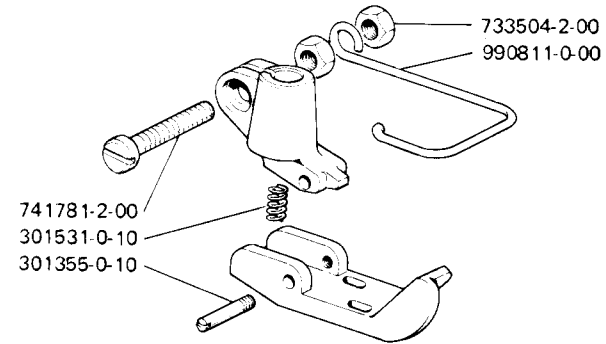
306691-3-01	264-38-2CA-08	 10,5
306693-3-01	264-38-2CA-12	 12
306694-3-01	264-38-2CA-07	 9



306876-3-00



264-00-2LA-35



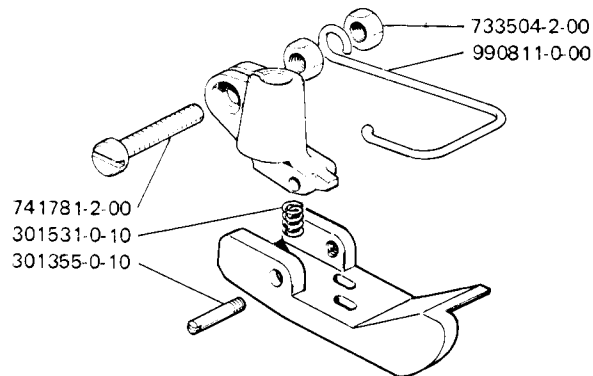
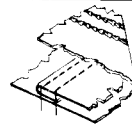
Piedino stretto per applicare tasche, con curve a piccolo raggio, girando in senso orario

Presser foot with narrow shoe for attaching patch pockets with tight curves, turning the work piece in counter clockwise direction

Pied presseur étroit pour l'application des poches avec courbes à rayon étroit, en faisant tourner l'article dans le sens des aiguilles d'un montre

307055-3-01

264-00-2LA-35



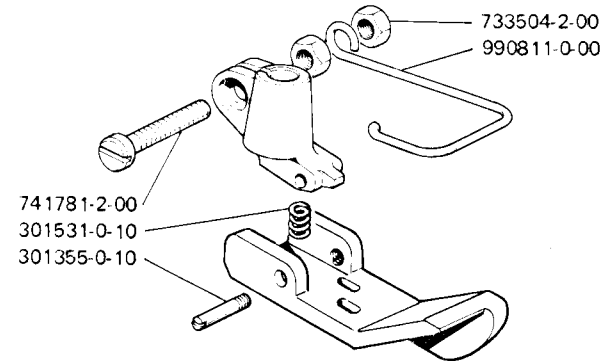
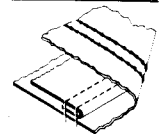
Per applicare tasche girando in senso orario. Per ritatture con bordo del tessuto a sinistra degli aghi

For attaching patch pockets turning the workpiece in clockwise direction. For topstitching following the edge to the left of the needles

Pour l'application des poches en faisant tourner l'article dans le sens des aiguilles d'une montre. Pour exécuter coutures rabattues en suivant le bord à gauche des aiguilles

307058-3-01

264-00-2LA-35



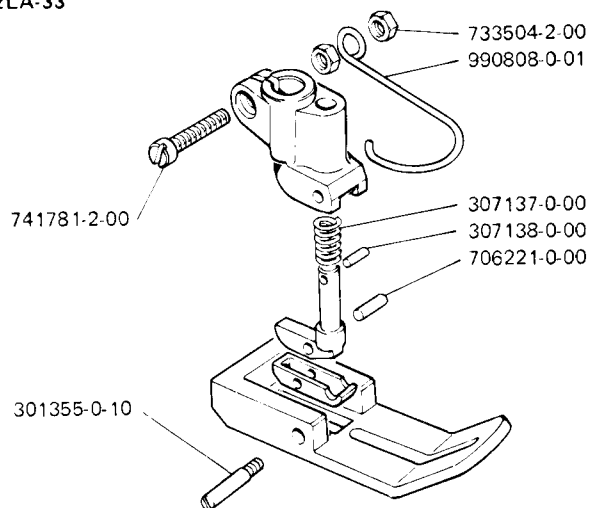
Per applicare tasche girando in senso antiorario. Ribattiture con bordo del tessuto a destra degli orli

For attaching patch pockets turning the workpiece in counter clockwise direction. For topstitching following the edge to the right of the needles

Pour l'application des poches en faisant tourner l'article dans le sens contraire à celui des aiguilles d'un montre. Pour exécuter coutures rabattues en suivant le bord à droite des aiguilles

307146-3-01

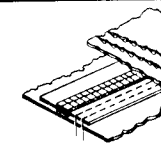
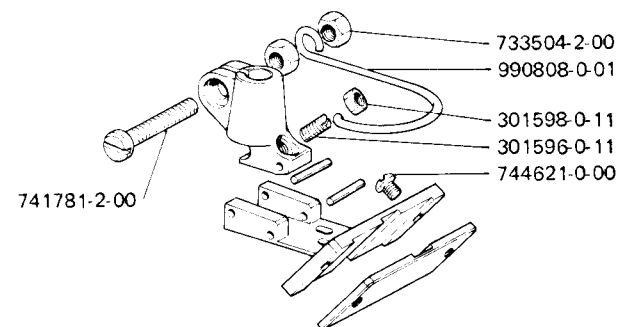
264-00-2LA-33



Per cucitura rinforzata al cavallo dei pantaloni su tessuti pesanti
 For reinforced trousers seat seam on heavy fabrics
 Pour la couture renforcee du fond de pantalon en tissus épais

307800-3-01

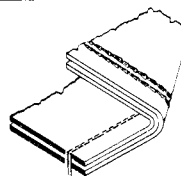
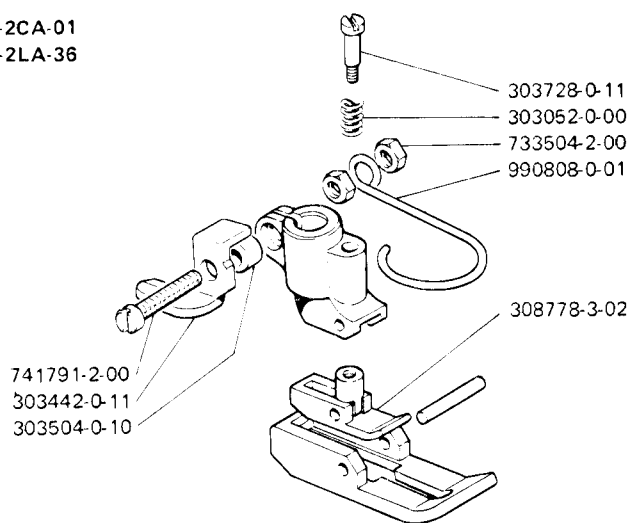
264-49-2CA-04



Per applicare la cerniera lampo sul rapporto destro dei pantaloni
 For attaching zip fasteners on right fly of trousers
 Pour appliquer des fermetures a glissiere sur la côté droite des braguettes

308775-3-02

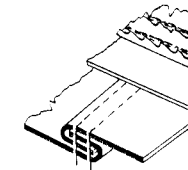
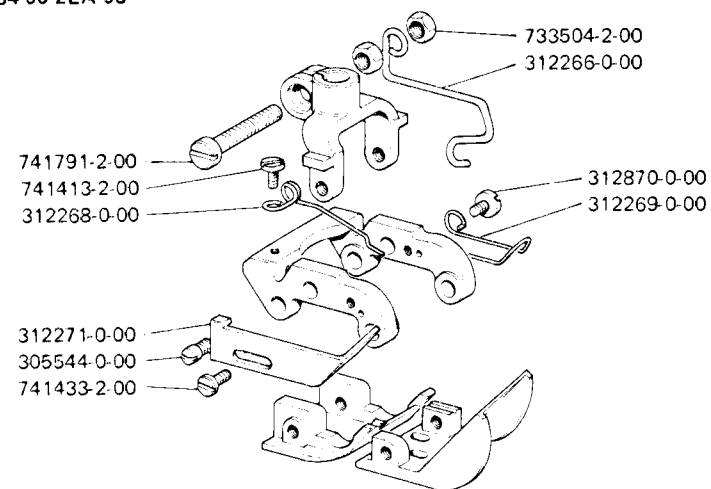
264-00-2CA-01
 264-00-2LA-36



Per cucitura rinforzata al cavallo dei pantaloni su tessuti leggeri e medi
 For reinforced trousers seat seam on light and medium fabrics
 Pour la couture renforcee du fond de pantalon en tissus légers et moyens

314054-3-00

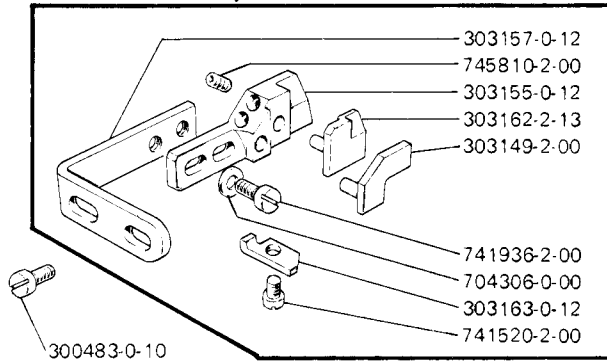
264-00-2LA-03



Per tessuti pesantissimi
 For extra heavy fabrics
 Pour tissus tres épais

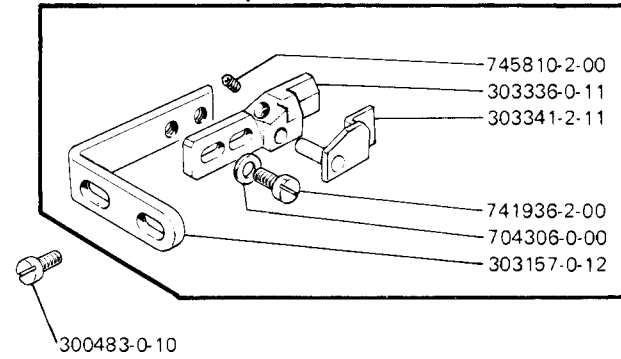
264-00-2CA-01

303156-4-13



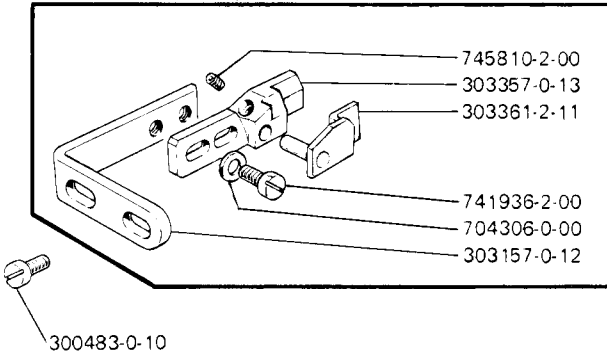
264-00-2CA-02
264-49-2CA-02
264-49-2CA-04

303337-4-12



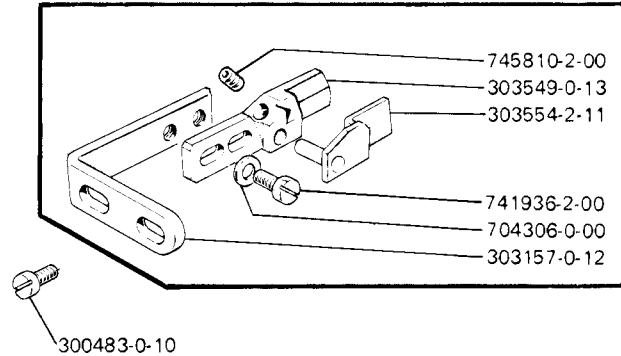
264-00-2CA-03
264-38-2CA-13

303358-4-13



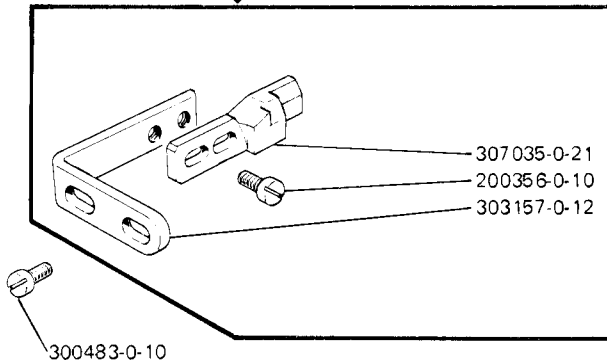
264-38-2CA-04
264-38-2CA-05
264-38-2CA-07
264-38-2CA-08
264-38-2CA-09
264-38-2CA-12
264-38-2CA-13

303550-4-13



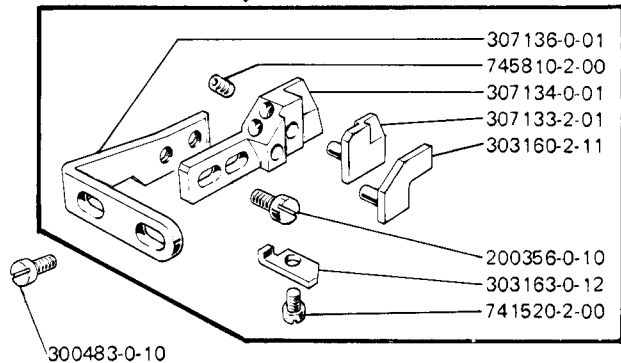
264-00-2LA-03
264-00-2LA-34
264-00-2LA-35

307038-4-11



264-00-2LA-33
264-00-2LA-36

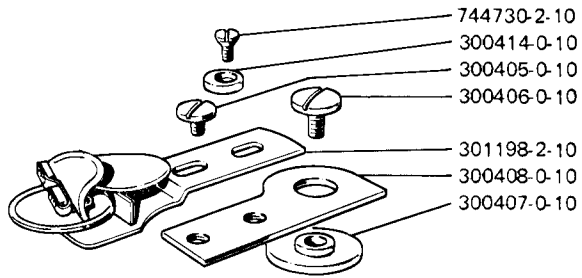
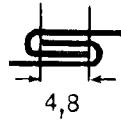
307135-4-01



<p>309850-4-00</p> <p>264-00-2CA-03 264-38-2CA-13</p> <p>309758-2-00 745810-2-00 309767-0-00 741620-2-00</p> <p>6</p>	<p>309853-4-00</p> <p>264-00-2CA-02 264-49-2CA-02 264-49-2CA-04</p> <p>309761-2-00 745810-2-00 309768-0-00 741620-2-00</p> <p>4,8</p>	<p>309854-4-00</p> <p>264-38-2CA-09 264-38-2CA-12</p> <p>309762-2-00 745810-2-00 309769-0-00 741620-2-00</p> <p>12</p>
<p>309855-4-00</p> <p>264-38-2CA-08</p> <p>309763-2-00 745810-2-00 309769-0-00 741620-2-00</p> <p>10,5</p>	<p>309856-4-00</p> <p>264-38-2CA-04 264-38-2CA-05 264-38-2CA-07</p> <p>309764-2-00 745810-2-00 309766-0-00 741620-2-00</p> <p>9</p>	<p>309857-4-00</p> <p>264-00-2CA-01</p> <p>309765-2-00 741611-2-00 309773-0-00 745810-2-00</p> <p>0,4</p>
<p>309858-4-00</p> <p>264-00-2LA-33 264-00-2LA-36</p> <p>307130-2-01 741611-2-00 309773-0-00 745810-2-00</p> <p>0,4</p>	<p>309859-4-01</p> <p>264-00-2LA-03 264-00-2LA-34 264-00-2LA-35</p> <p>745810-2-00 307013-2-01 745810-2-00 309776-0-00 741620-2-00</p> <p>6,4</p>	

301202-4-10

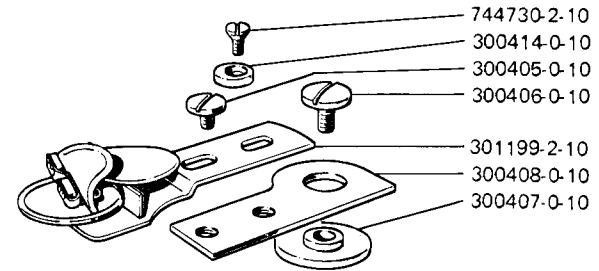
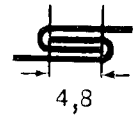
264-00-2CA-02
264-00-2CA-03



Tessuto leggerissimo
Very light fabric
Tissu tres leger

301203-4-10

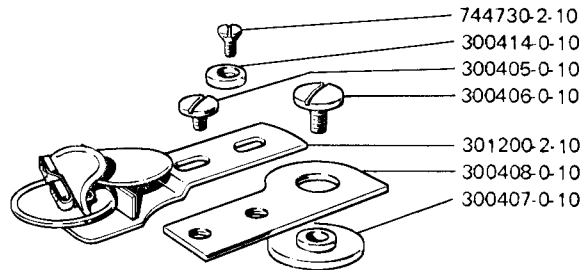
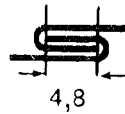
264-00-2CA-02
264-00-2CA-03



Tessuto leggero
Light fabric
Tissu leger

301204-4-10

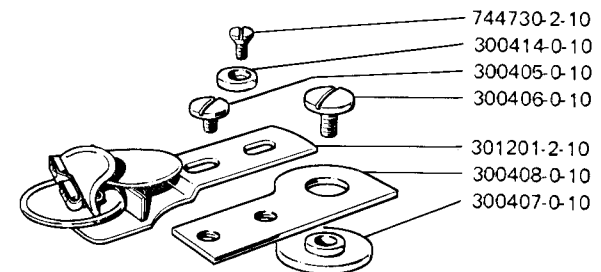
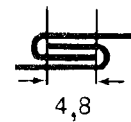
264-00-2CA-02
264-00-2CA-03



Tessuto medio
Medium weight fabric
Tissu moyen

301205-4-10

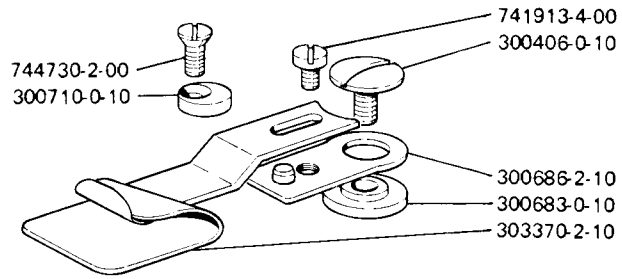
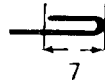
264-00-2CA-02
264-00-2CA-03



Tessuto pesante
Heavy weight fabric
Tissu lourd

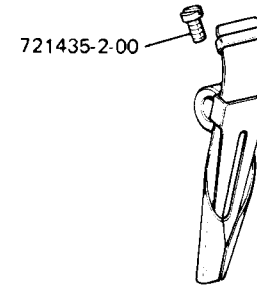
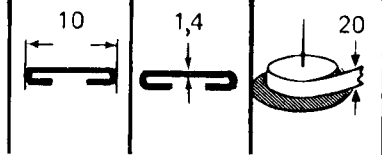
264-38-2CA-13

303371-4-10



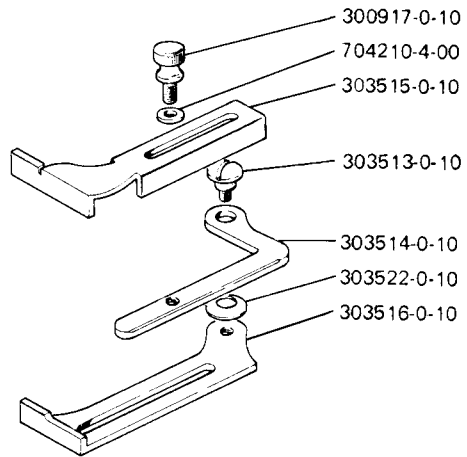
264-38-2CA-13

303375-3-10



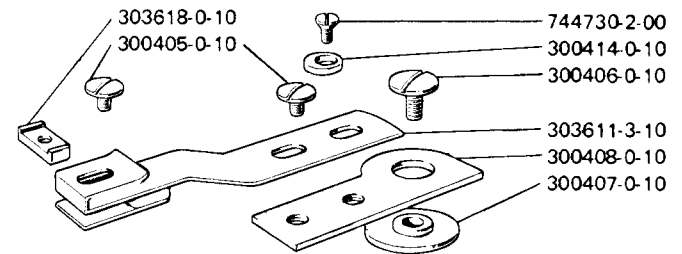
264-49-2CA-02

303517-4-10



264-38-2CA-05

303612-4-10



264-38-2CA-04
264-38-2CA-05

303624-3-10

721435-2-00

264-38-2CA-09

303625-3-10

721435-2-00

264-00-2LA-34

305071-4-00

10

744730-2-10
300710-0-10
741913-4-00
305076-0-00
702437-0-00
305068-2-00
305075-2-00
704608-0-00

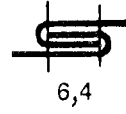
264-00-2LA-34

305072-4-00

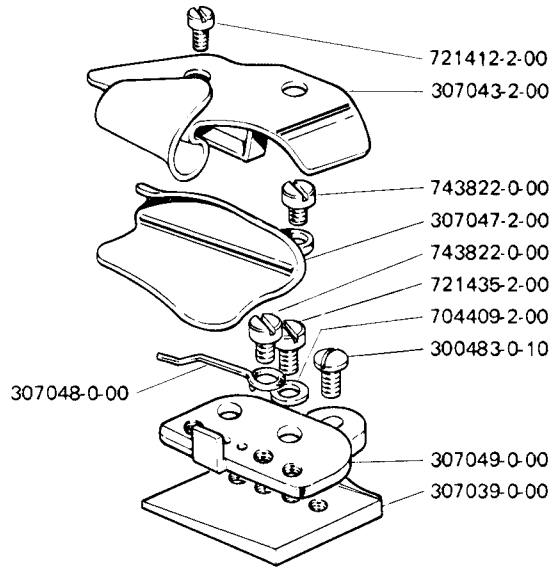
10

744730-2-10
300710-0-10
741913-4-00
305076-0-00
702437-0-00
305075-2-00
704608-0-00
305069-2-00

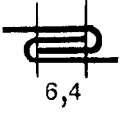
307040-4-01



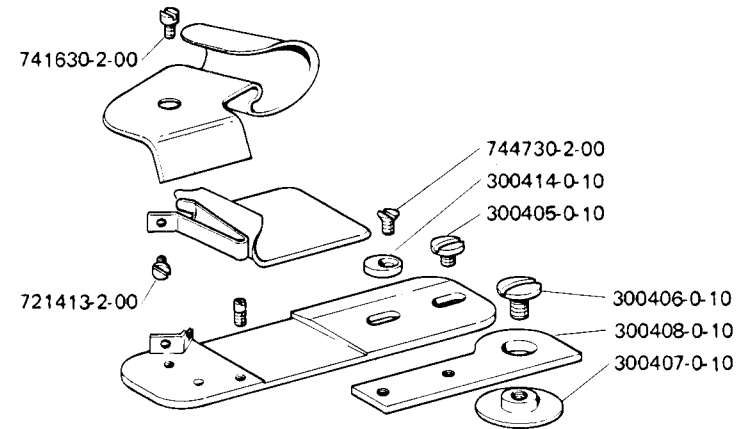
264-00-2LA-03
264-00-2LA-34



307064-4-00

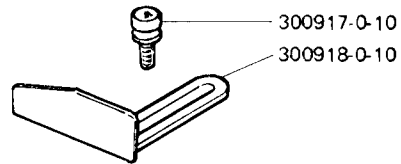


264-00-2LA-34



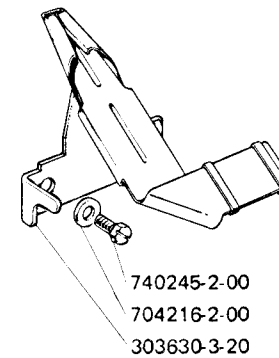
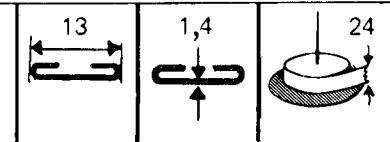
310012-4-00

264-00-2CA-01
264-38-2CA-07
264-38-2CA-08
264-38-2CA-12

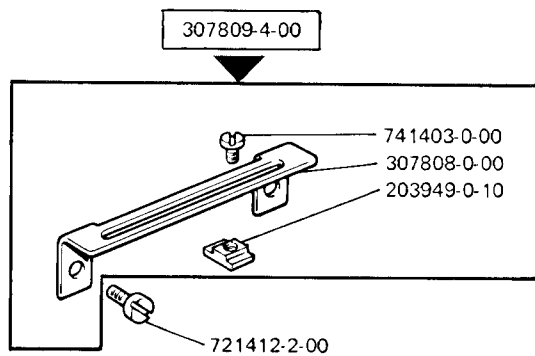


310074-4-10

264-38-2CA-05

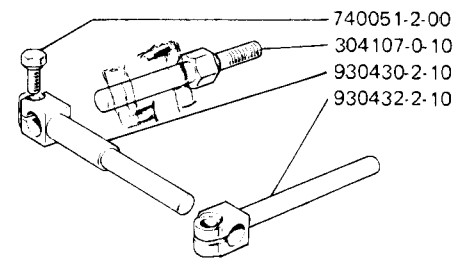


264-49-2CA-04



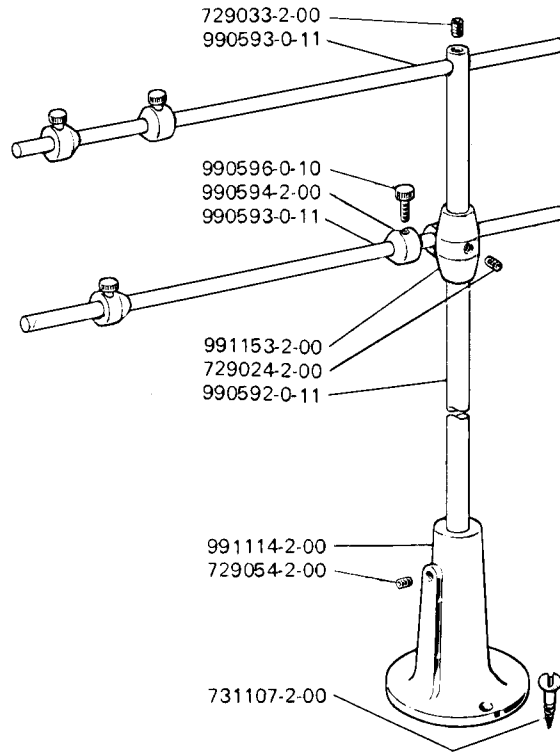
930431-4-10

264-38-2CA-04
264-38-2CA-05
264-38-2CA-09
264-38-2CA-13



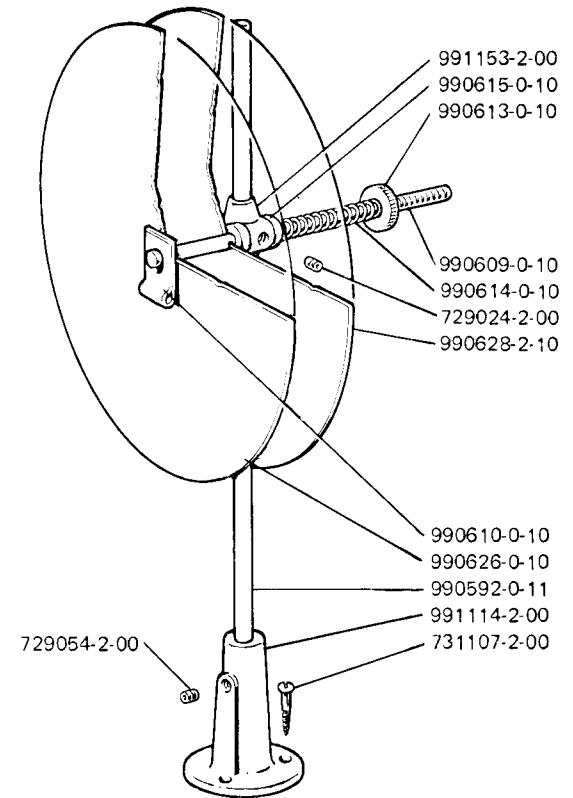
990650-4-12

- 264-38-2CA-04
- 264-38-2CA-05
- 264-38-2CA-07
- 264-38-2CA-08
- 264-38-2CA-09
- 264-38-2CA-12
- 264-49-2CA-02
- 264-49-2CA-04



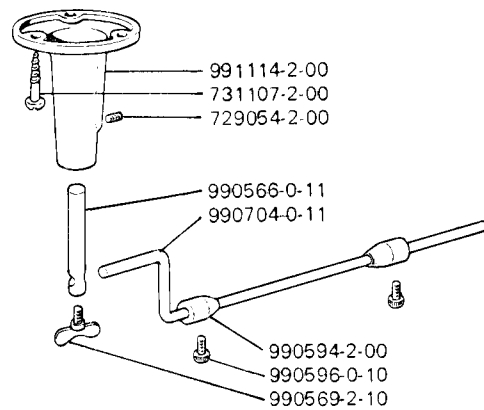
990629-4-12

- 264-38-2CA-13



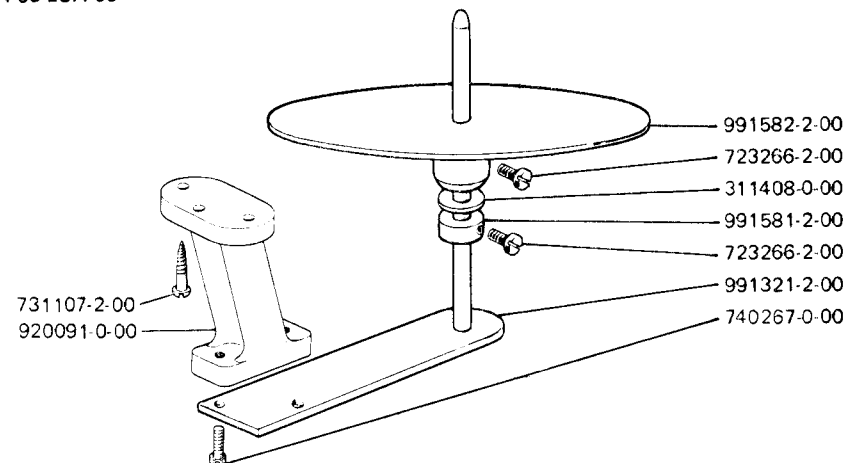
990507-4-00

- 264-49-2CA-04



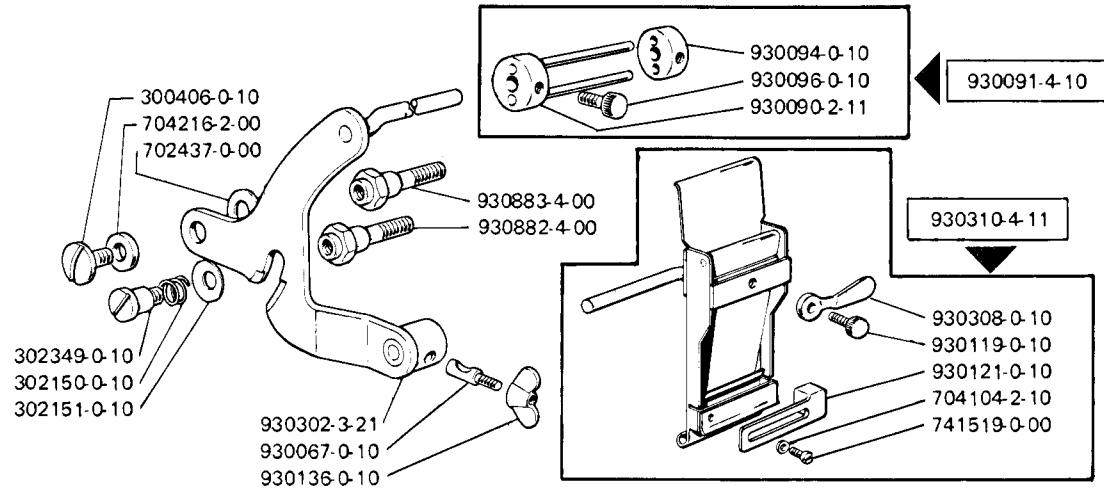
991588-4-00

- 264-38-2CA-05



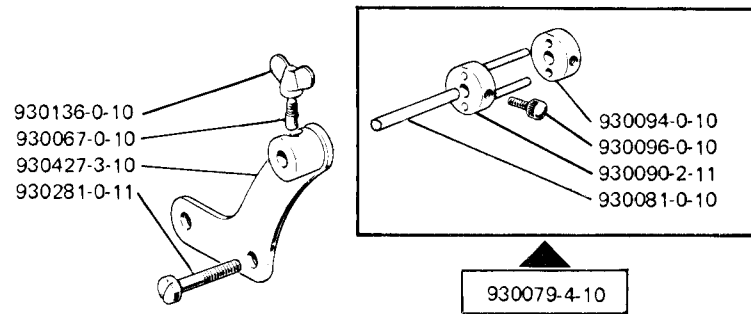
930284-4-12

264-38-2CA-07
 264-38-2CA-08
 264-38-2CA-12
 264-49-2CA-02



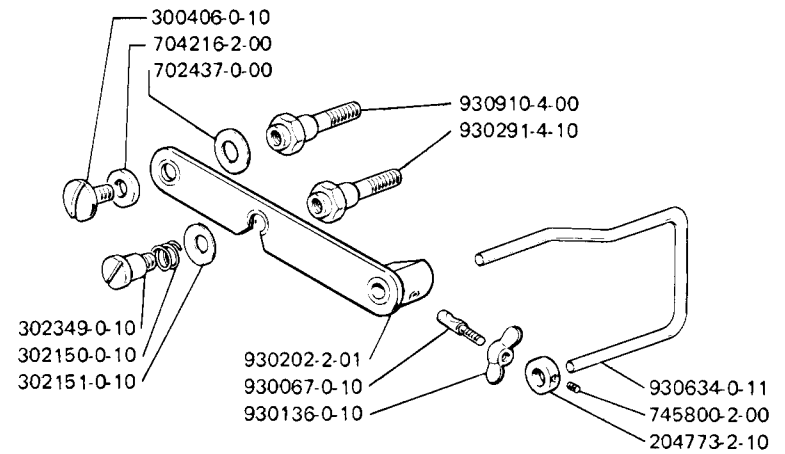
930428-4-10

264-38-2CA-04
 264-38-2CA-05
 264-38-2CA-09
 264-38-2CA-13



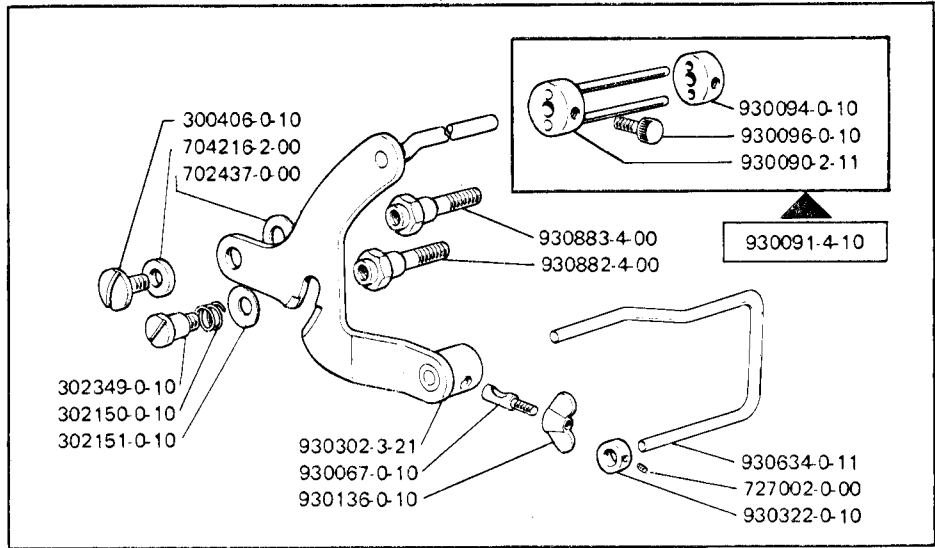
930909-4-00

264-49-2CA-02



264-49-2CA-04

930908-4-01



930644-4-11

