

523-00

PER TESTE 264-00-1LA-39
FOR HEADS 264-00-1MA-25
POUR TETES 264-00-1MA-35
264-00-1MD-11
264-00-1MD-24

523-00

PRINTED IN ITALY BY FEOPRINT - MILANO

1a EDIZIONE-EDITION 9/89

n. 472

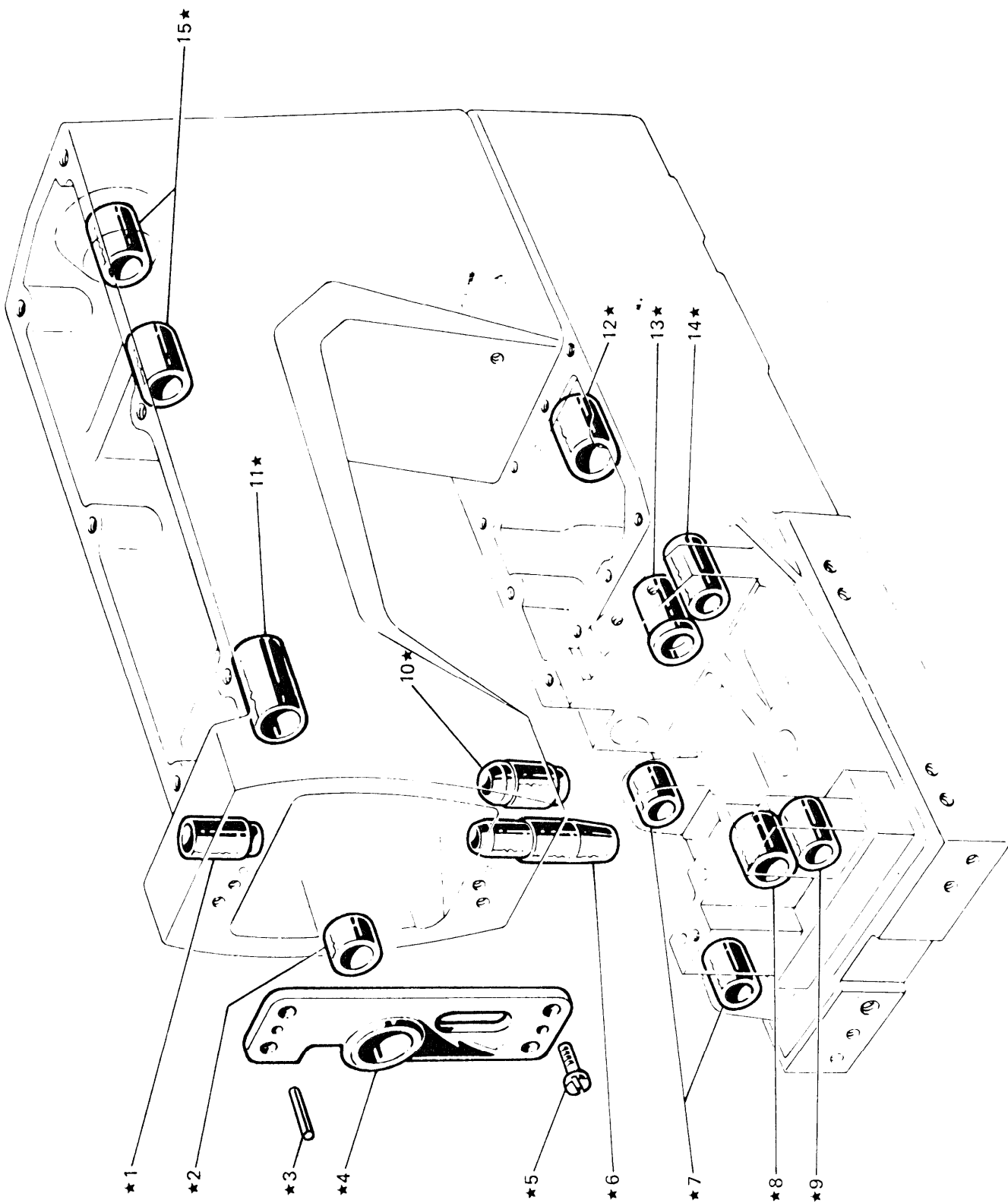


Fig. N. Abb. N.	Part. N. Bestell N. Pice N. Pieza N.	DESCRIZIONE	DESCRIPTION	DESCRIPTION	BENENNUNG	DESCRIPCION
★						
1	308032-0-00	base e braccio con bussola	base and arm with bushes	base et bras avec bagues		
2	308858-0-00	bussola	bush	bague		
3	706454-0-00	bussola	bush	bague		
4	308859-2-00	spina	pin	goupille		
5	722084-2-00	supporto con bussola fig. 2	support with bush fig. 2	support avec bague fig. 2		
6	308406-0-00	vite	screw	vis		
7	308296-0-00	bussola	bush	bague		
8	308293-0-02	bussola	bush	bague		
9	308297-0-00	bussola	bush	bague		
10	308031-0-00	bussola	bush	bague		
11	308852-0-00	bussola	bush	bague		
12	308086-0-10	bussola	bush	bague		
13	308009-0-00	bussola	bush	bague		
14	308298-0-00	bussola	bush	bague		
15	308853-0-00	bussola	bush	bague		
		SOLO PER	ONLY FOR	SEULEMENT POUR		
★	924102-3-20		<u>264-00-1LA-39</u>			
6	308413-0-00	base e braccio con bussola	base and arm with bushes	base et bras avec bagues		
10	308353-0-00	bussola	bush	bague		
			bush	bush		
		SOLO PER	ONLY FOR	SEULEMENT POUR		
★	924099-3-20		<u>264-00-1MA-35</u>			
6	309608-0-00	base e braccio con bussola	base and arm with bushes	base et bras avec bagues		
			bush	bague		
		SOLO PER	ONLY FOR	SEULEMENT POUR		
★	924103-3-20		<u>264-00-1MA-25 / 264-00-1MD-11 / 264-00-1MD-24</u>			
		base e braccio con bussola	base and arm with bushes	base et bras avec bagues		

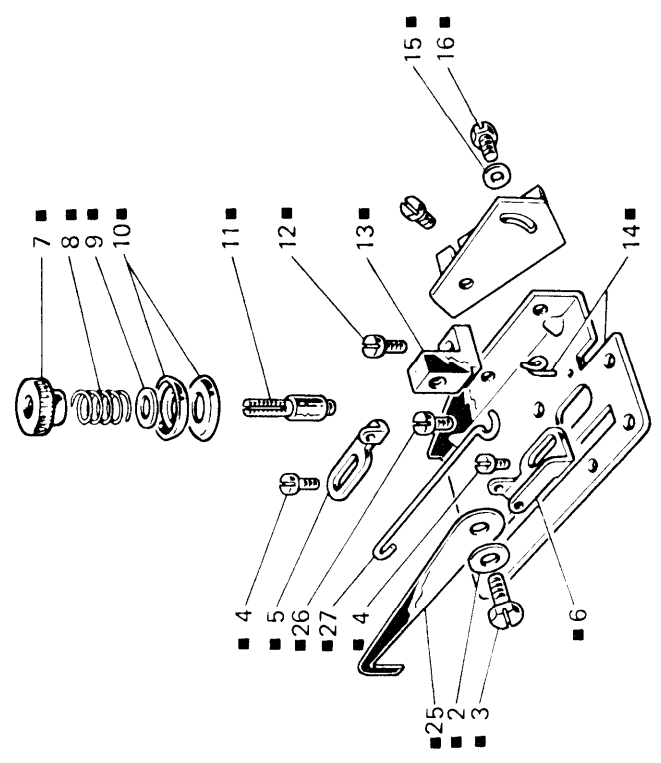
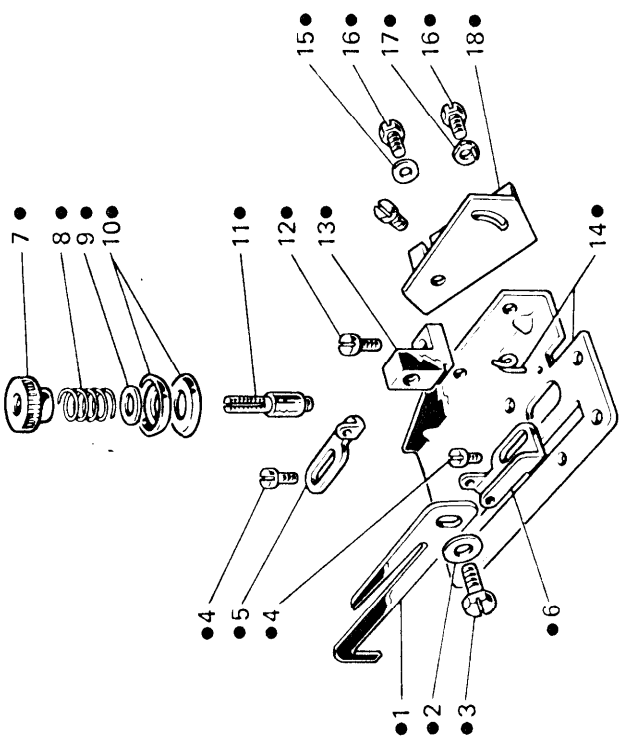
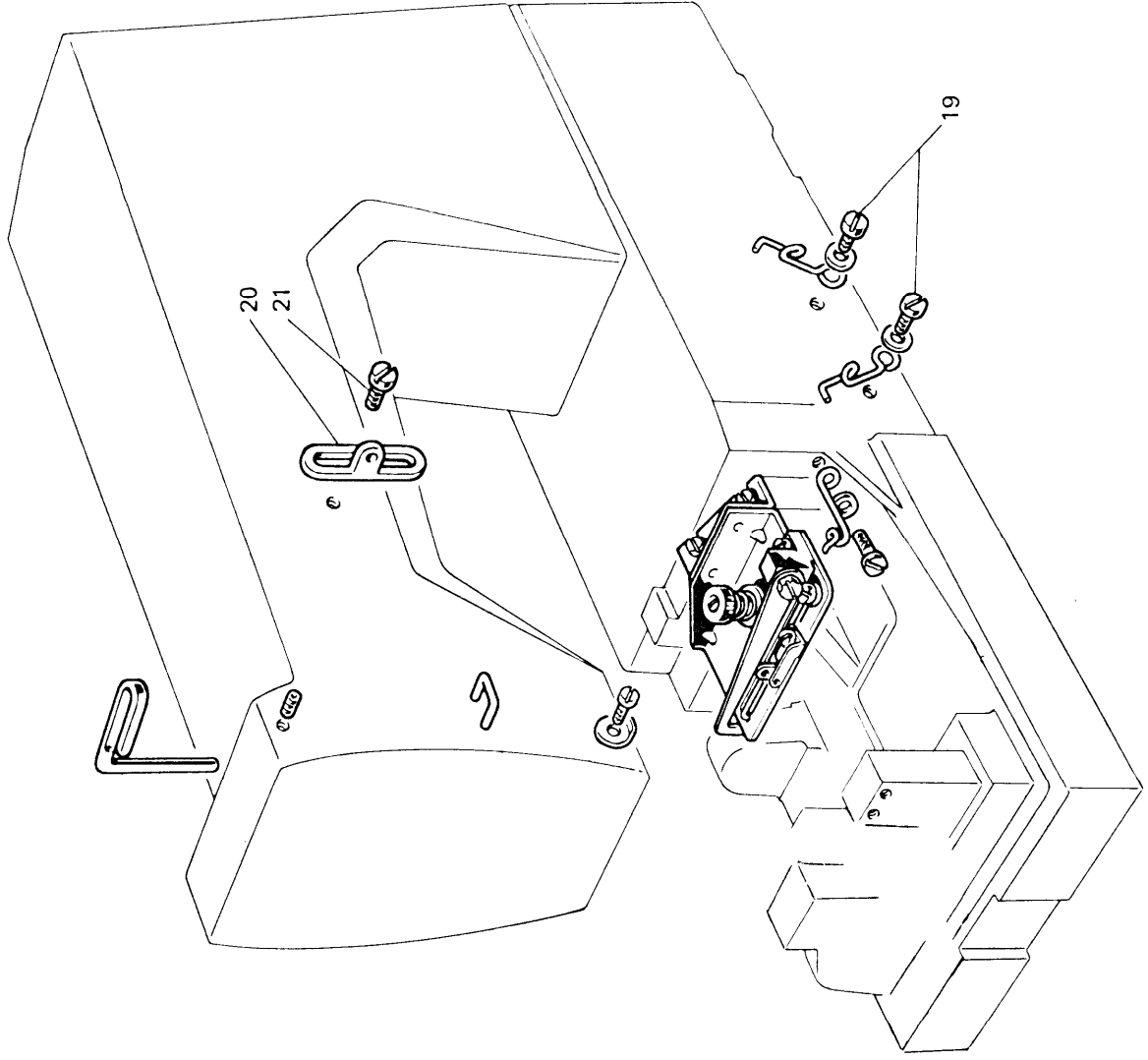


Fig. N. Abb. N.	Part. N. Piese N. Bestell N. Pieza N.	Q t y	DESCRIZIONE	DESCRIPTION	DESCRIPTION	BENENNUNG	DESCRIPCION
●	924110-4-00	1	gruppo tensione crochet inf.	tension assembly	groupe tension		
1	308557-0-00	1	astina	rod	tige		
2	705201-0-00	1	rondella	washer	rondelle		
3	740220-2-00	1	vite	screw	vis		
4	741413-2-00	2	vite	screw	vis		
5	302172-0-10	1	passafilo	thread guide	passse-fil		
6	924108-0-00	1	passafilo	thread guide	passse-fil		
7	302204-0-10	1	pomolo	knob	pommeau		
8	300310-0-10	1	molla	spring	ressort		
9	704218-2-00	1	rondella	washer	rondelle		
10	200324-0-10	2	disco tensione	tension disc	disque tension		
11	300391-0-10	1	perno a vite	threaded pin	pivot à vis		
12	741642-2-00	1	vite	screw	vis		
13	302168-2-10	1	supporto	support	support		
14	308553-2-00	1	piastra	plate	plaque		
15	704104-2-00	1	rondella	washer	rondelle		
16	740210-2-00	2	vite	screw	vis		
17	206580-2-00	1	rondella	washer	rondelle		
18	308551-0-00	1	squadretta	bracket	équerre		
19	300483-0-10	2	vite	screw	vis		
20	308200-0-01	1	guidafilo	thread guide	guide-fil		
21	303045-0-10	1	vite	screw	vis		
VARIANTE PER 264-00-1LA-39 / 264-00-1MA-25 / 264-00-1MA-35 / 264-00-1MD-24							
■	924109-4-00	1	gruppo tensione crochet inf.	tension assembly	groupe tension		
15	704104-2-00	2	rondella	washer	rondelle		
25	308556-0-00	1	astina	rod	tige		
26	741612-0-00	1	vite	screw	vis		
27	308558-0-00	1	traversino	tie	traverse		

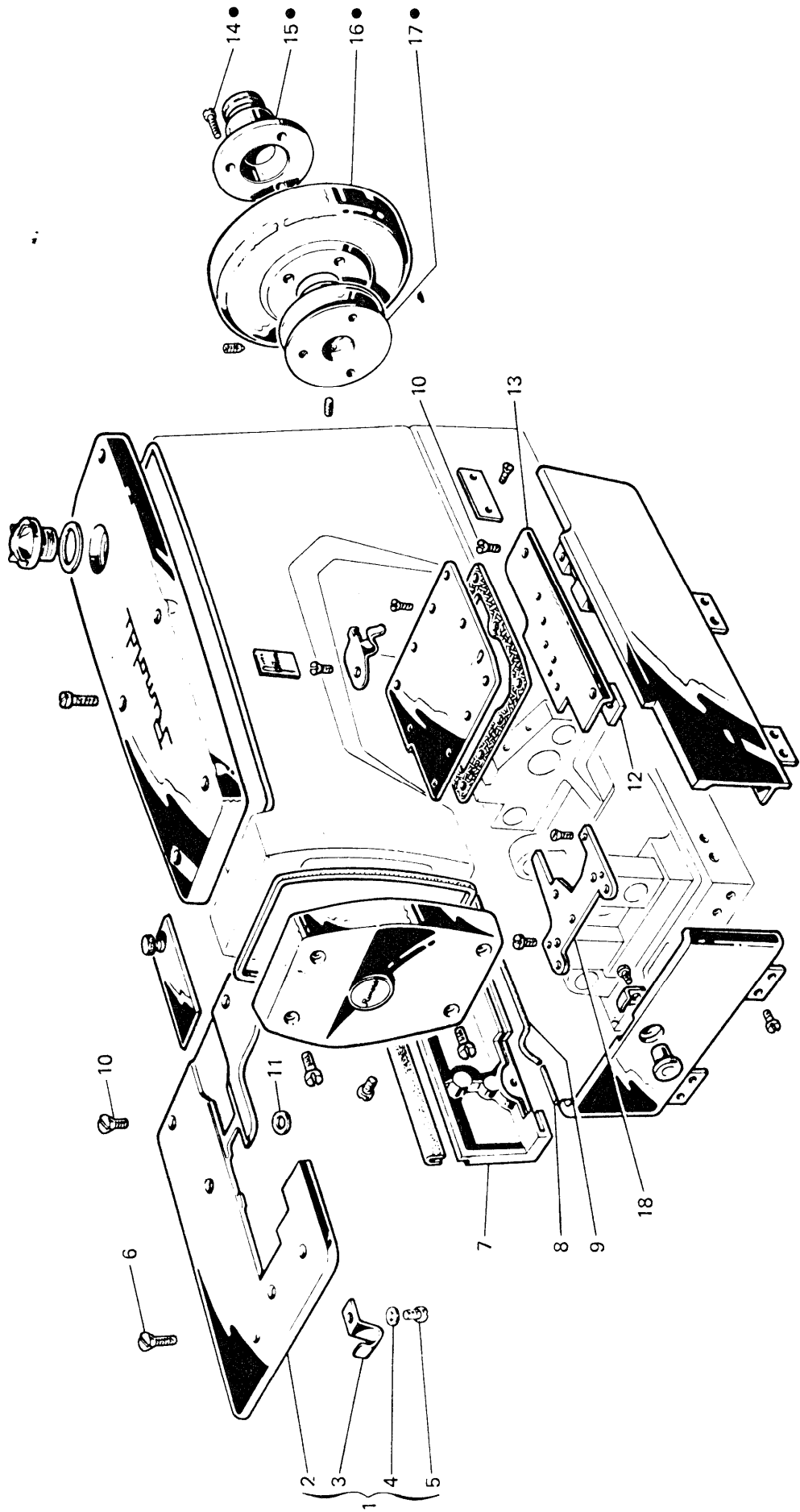


Fig. N. Abb. N.	Part. N. Bestell N. Piece N. Pieza N.	Q. Anzahl	DESCRIZIONE	DESCRIPTION	DESCRIPTION	BENENNUNG	DESCRIPCION
●	924237-4-00	1	volantino completo	handwheel	volant		
1	924125-4-00	1	piano di lavoro completo	working plate assembly	plan de travail complet		
2	924121-2-00	1	piano di lavoro	working plate	plan de travail		
3	309351-0-00	1	molla	spring	ressort		
4	704306-0-01	1	rondella	washer	rondelle		
5	720411-2-00	1	vite	screw	vis		
6	744676-2-00	2	vite	screw	vis		
7	927552-0-00	1	carter posteriore	rear cover	carter arrière		
8	309100-0-00	1	guarnizione	gasket	garniture		
9	309101-0-00	1	guarnizione	gasket	garniture		
10	744656-2-00	5	vite	screw	vis		
11	704419-0-00	2	rondella	washer	rondelle		
12	922408-0-00	2	piastrina	plate	plaque		
13	924119-0-00	1	piastra piano di lavoro	plate	plaque plan de travail		
14	741984-2-00	3	vite	screw	vis		
15	302247-0-10	1	fiangia	flange	flasque		
16	308410-0-00	1	corona	crow	couronne		
17	308197-0-00	1	puleggia	pulley	poulie		
18	308783-2-00	1	PEZZI ANNULLATI piastra porta placca	CANCELLED PARTS plate	PIECES ANNULEES plaque		
1	924126-4-00	1	VARIANTE PER piano di lavoro completo	VARIATION FOR 264-00-1LA-39 working plate assembly	VARIANTE POUR plan de travail complet		
2	924122-2-00	1	piano di lavoro	working plate	plan de travail		
13	924120-0-00	1	piastra piano di lavoro	plate	plaque plan de travail		
18	308770-2-00	1	PEZZI ANNULLATI piastra porta placca	CANCELLED PARTS plate	PIECES ANNULEES plaque		

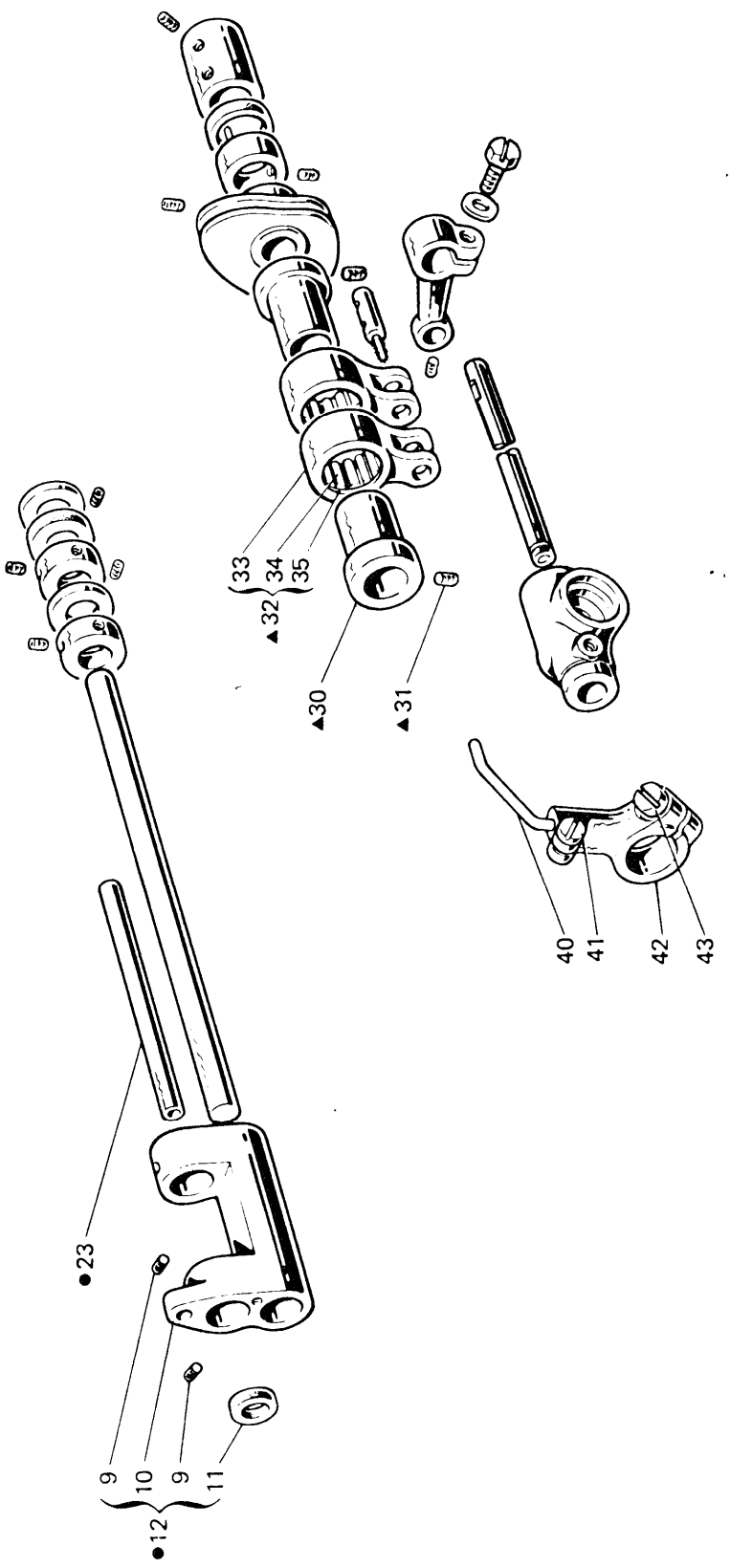
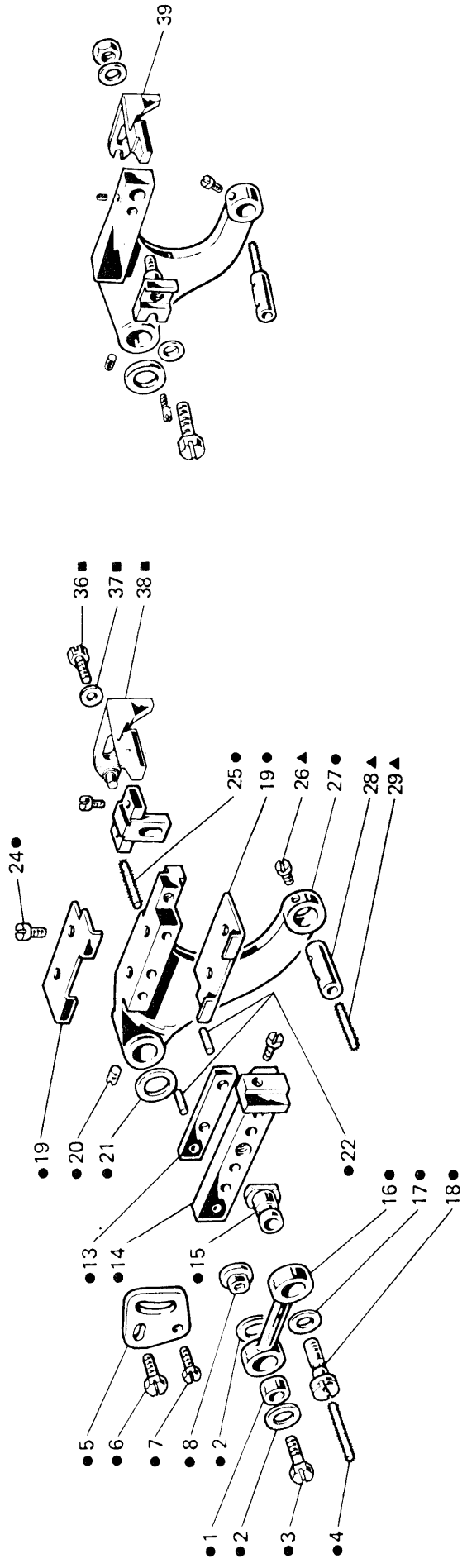


Fig. N. Abb. N.	Part. N. Bestell N. Piece N. Pieza N.	Anzahl Q	DESCRIZIONE	DESCRIPTION	DESCRIPTION	BENENNUNG	DESCRIPTION
			SOLO PER	ONLY FOR	SEULEMENT POUR		
			264-00-1MD-11	264-00-1MD-24			
1	308348-5-00	1	gruppo porta griffa (▲ con ●)	feed dog holder ass. (▲ with ●)	groupe porte griffe (▲ avec ●)		
1	308395-4-00	1	porta griffa completa	feed dog holder assembly	porte-griffe complet		
2	300228-0-10	1	bussola	bush	bague		
2	704805-0-00	2	rondella	washer	rondelle		
3	206588-0-00	1	vite	screw	vis		
4	778412-0-00	1	stoppino	wick	mèche		
5	308194-0-00	1	settore	sector	secteur		
6	740257-0-00	1	vite	screw	vis		
7	740243-0-00	1	vite	screw	vis		
8	300362-0-11	1	corsore	slider	curseur		
9	729013-2-00	2	vite	screw	vis		
10	308193-2-00	1	supporto con viti	support with screws	support avec vis		
11	308190-0-00	2	anello di tenuta	retainer ring	bague d'étanchéité		
12	308191-4-00	1	supporto completo	support assembly	support complet		
13	300361-0-10	1	piattina	sheet	plaque		
14	300231-0-10	1	slitta	slide	glissière		
15	308196-0-00	1	bussola	bush	bague		
16	308275-2-00	1	bielletta	con-rod	bielle		
17	705008-0-00	1	rondella	washer	ro delle		
18	308276-0-00	1	vite	screw	vis		
19	300371-0-10	2	squadretta	bracket	équerre		
20	745815-2-00	1	vite	screw	vis		
21	309560-0-00	2	rondella	washer	rondelle		
22	706434-0-00	2	spina	pin	goupille		
23	308195-0-00	1	perno	pin	pivot		
24	741928-0-00	4	vite	screw	vis		
25	778415-0-00	1	stoppino	wick	mèche		
26	742811-0-00	1	vite	screw	vis		
27	302028-0-11	1	braccio	arm	bras		
28	300209-0-10	1	perno	pin	pivot		
29	778238-0-00	1	stoppino	wick	mèche		
30	308029-2-00	1	eccentrico con viti	eccentric with screws	excentrique avec vis		
31	727215-0-00	2	vite	screw	vis		
32	301459-4-10	1	giunto completo	joint assembly	joint complet		
33	301458-0-10	1	giunto	joint	joint		
34	301579-0-10	1	gabbia a rullini	needle cage	cage à aiguilles		
35	201143-0-10	2	anello di tenuta	circlip	circlip		
			SOLO PER	ONLY FOR	SEULEMENT POUR		
			264-00-1MD-24				
36	309574-4-00	1	salva ago completo	rear needle guard assembly	protège-aiguille complet		
37	305172-0-00	1	vite	screw	vis		
38	704406-2-00	1	rondella	washer	rondelle		
38	308453-0-00	1	salva ago	rear needle guard	protège-aiguille		

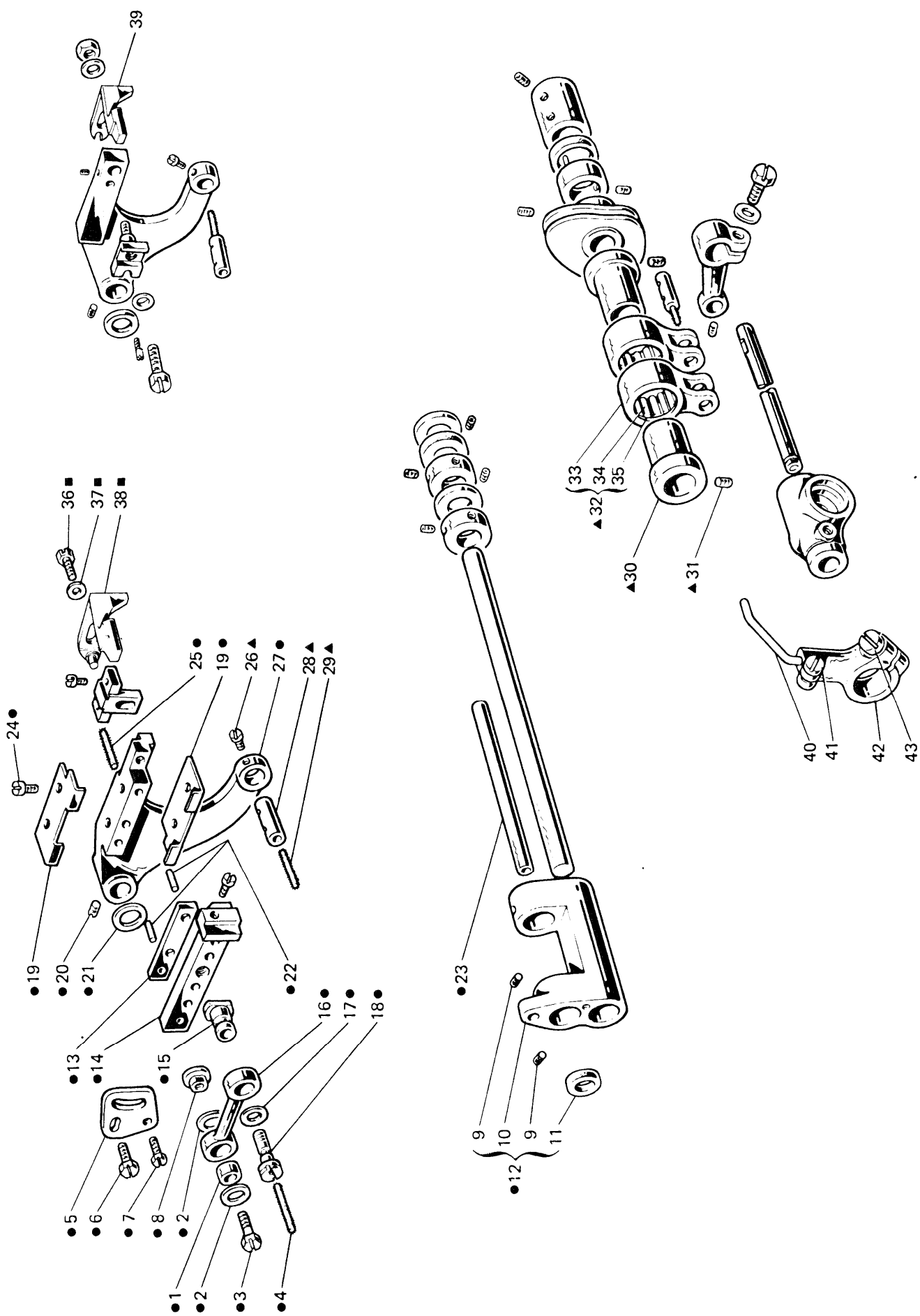


Fig. N. Abb. N.	Part. N. Bestell N. Piece N. Pieza N.	Anzahl Q.	DESCRIZIONE	DESCRIPTION	DESCRIPTION	BENENNUNG	DESCRIPCION
39	308465-0-01	1	SOLO PER salva ago	ONLY FOR rear needle guard	SEULEMENT POUR protège-aiguille	264-00-1MA-35	
40	308142-0-01	1	SOLO PER spingi asola	ONLY FOR front needle guard	SEULEMENT POUR pare-boucle		
41	721724-0-00	1	vite	screw	vis		
42	308050-2-00	1	porta spingi asola con viti	support with screws	support avec vis		
43	721485-2-00	1	vite	screw	vis		

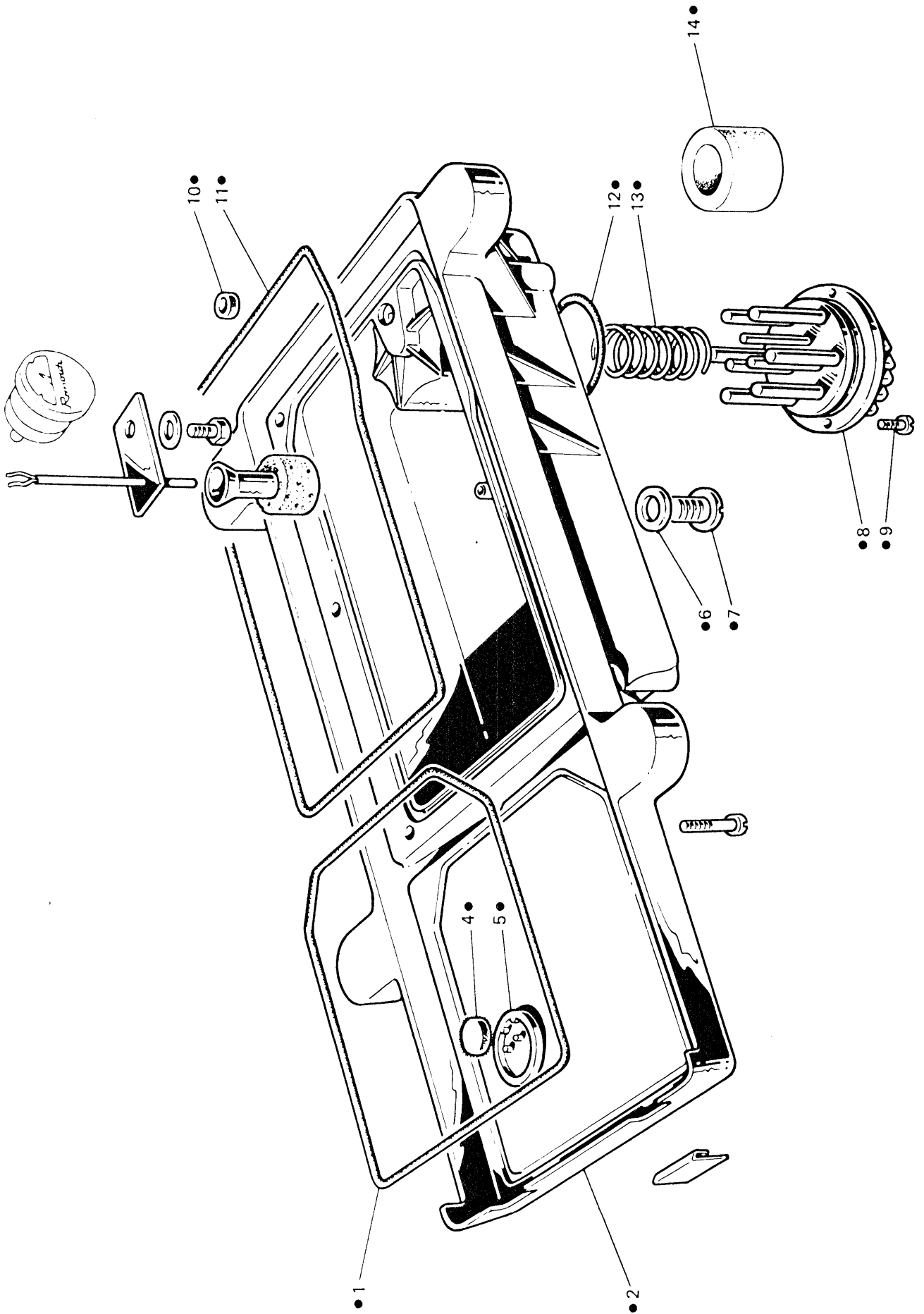
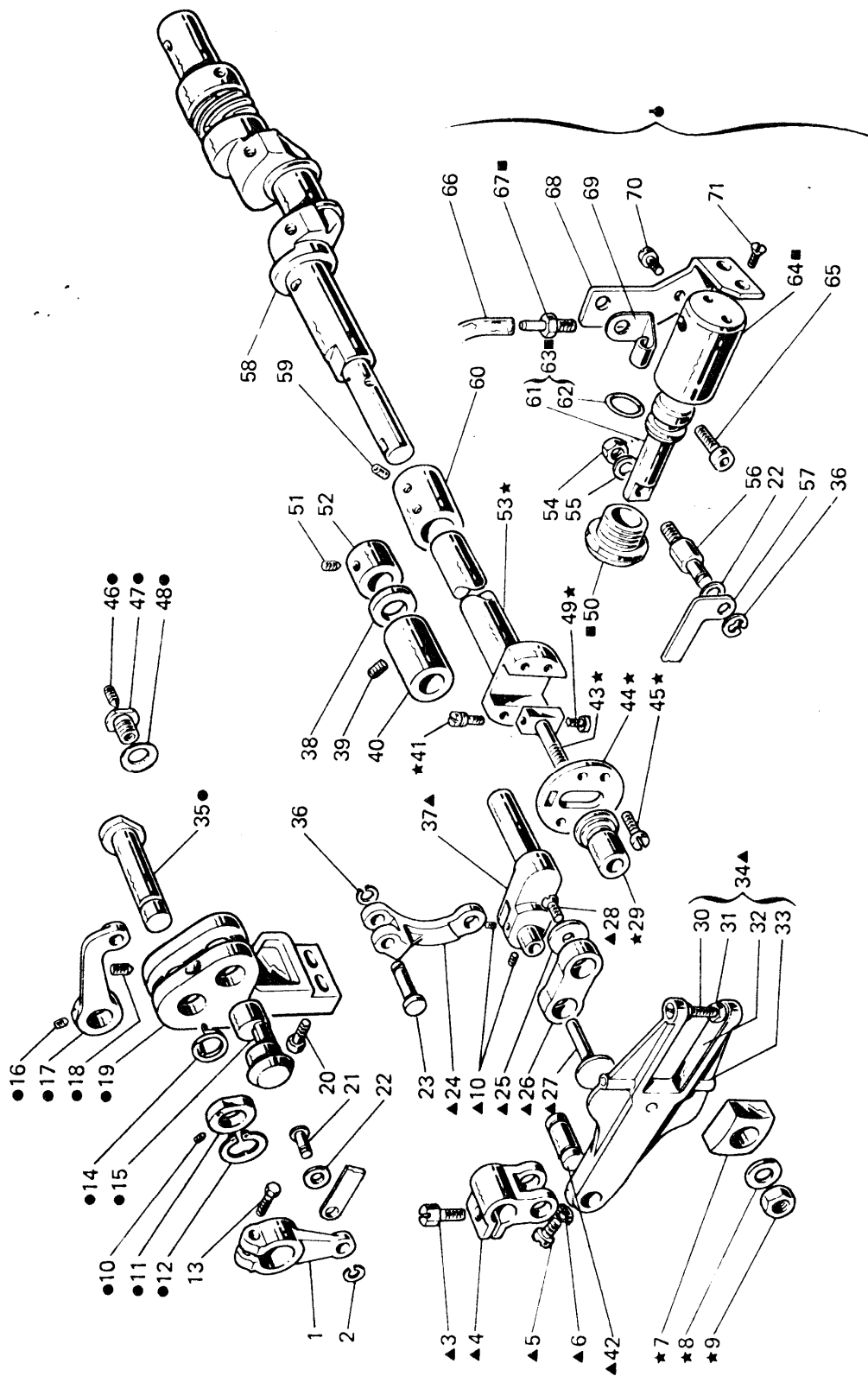


Fig. N. Abb. N.	Part. N. Bestell N. Piece N. Pieza N.	DESCRIZIONE	DESCRIPTION	DESCRIPTION	BENENNUNG	DESCRIPCION
●	308590-4-01	1	bacinella olio completa	oil sump assembly		réservoir huile complet
1	308125-0-00	1	guarnizione	gasket		garniture
2	308578-2-01	1	bacinella	oil sump		réservoir
4	308151-0-00	1	disco	disc		disque
5	308150-0-10	1	scodellino recupero olio	cup		cuvette
6	705977-0-00	1	rondella	washer		rondelle
7	206564-0-00	1	tappo	plug		bouchon
8	206560-0-10	1	coperchio	cover		couvercle
9	721464-2-00	2	vite	screw		vis
10	308113-0-00	1	anello	ring		anneau
11	308126-0-00	1	guarnizione	gasket		garniture
12	701051-0-00	1	guarnizione	gasket		garniture
13	206545-0-00	1	molla	spring		ressort
14	206559-0-00	1	filtro olio	oil filter		filtre huile

Fig. N. Abb. N.	Part. N. Bestell N. Piec. N. Piez. N.	Anzahl	DESCRIZIONE	DESCRIPTION	DESCRIPTION	BENENNUNG	DESCRIPTION
—	309709-4-20	1	gruppo albero inferiore (★ con 58-59-60)	lower shaft assembly (★ with 58-59-60)	groupe arbre inférieur (★ avec 58-59-60)		
●	308448-4-01	1	supporto completo	support assembly	support complet		
▲	308447-4-11	1	gruppo comando griffa	feed dog control assembly	groupe commande griffe		
★	308361-4-10	1	semialbero inferiore completo	lower half-shaft assembly	semi-arbre inférieur complet		
◆	924142-4-00	1	comando infittimento (escluso figg. 65-66-69)	stitch closing-up control (excluded figg. 65-66-69)	commande rapprochement point (exclu figg. 65-66-69)		
■	924771-4-10	1	pistoncino completo	piston assembly	petit piston complet		
1	308441-2-00	1	attacco	screw attachment	raccord à vis		
2	700206-0-00	1	anello elastico	spring ring	anneau ressort		
3	202486-0-10	1	vite	screw	vis		
4	301519-2-11	1	attacco con vite	coupling with screw	raccord avec vis		
5	742421-0-00	1	vite	screw	vis		
6	942597-2-00	1	dado	nut	écrou		
7	303776-0-20	1	blocchetto	block	bloc		
8	704814-0-00	1	rondella	washer	rondelle		
9	746612-2-00	1	dado	nut	écrou		
10	745800-2-00	4	vite	screw	vis		
11	303768-0-10	1	ghiera	ring nut	collier		
12	700211-0-00	1	anello elastico	spring ring	anneau ressort		
13	302352-0-10	1	vite	screw	vis		
14	303758-0-10	1	molla	spring	ressort		
15	303755-0-21	1	perno eccentrico	eccentric pin	pivot excentrique		
16	729013-2-00	1	vite	screw	vis		
17	308439-0-00	1	leva	lever	levier		
18	729032-2-00	1	vite	screw	vis		
19	308445-0-00	1	supporto	support	support		
20	722443-2-00	2	vite	screw	vis		
21	305444-0-00	1	perno	pin	pivot		
22	303766-0-10	2	rondella elastica	spring washer	rondelle élastique		
23	303767-0-10	1	perno	pin	pivot		
24	308440-0-10	1	tirante	tie-rod	tirant		
25	202475-0-10	1	rondella	washer	rondelle		
26	303712-2-30	1	giunto	joint	joint		
27	307528-0-01	1	perno	pin	pivot		
28	744922-2-00	1	vite	screw	vis		
29	303458-0-12	1	bussola	bush	bague		
30	724132-0-00	1	vite	screw	vis		
31	746002-2-00	2	dado	nut	écrou		
32	307530-0-02	2	piastrina	plate	plaque		
33	303708-2-34	1	forcella	fork	fourche		
34	303709-4-25	1	forcella completa	fork assembly	fourche complet		
35	303754-0-10	1	perno	pin	pivot		
36	700205-0-00	2	anello elastico	spring ring	anneau ressort		
37	303710-0-30	1	braccio oscillante	arm	bras		
38	704828-0-00	1	rondella	washer	rondelle		
39	727046-0-00	1	vite	screw	vis		
40	308443-0-00	1	bussola	bush	bague		
41	308281-0-00	1	vite da registro	adjustment screw	vis de réglage		



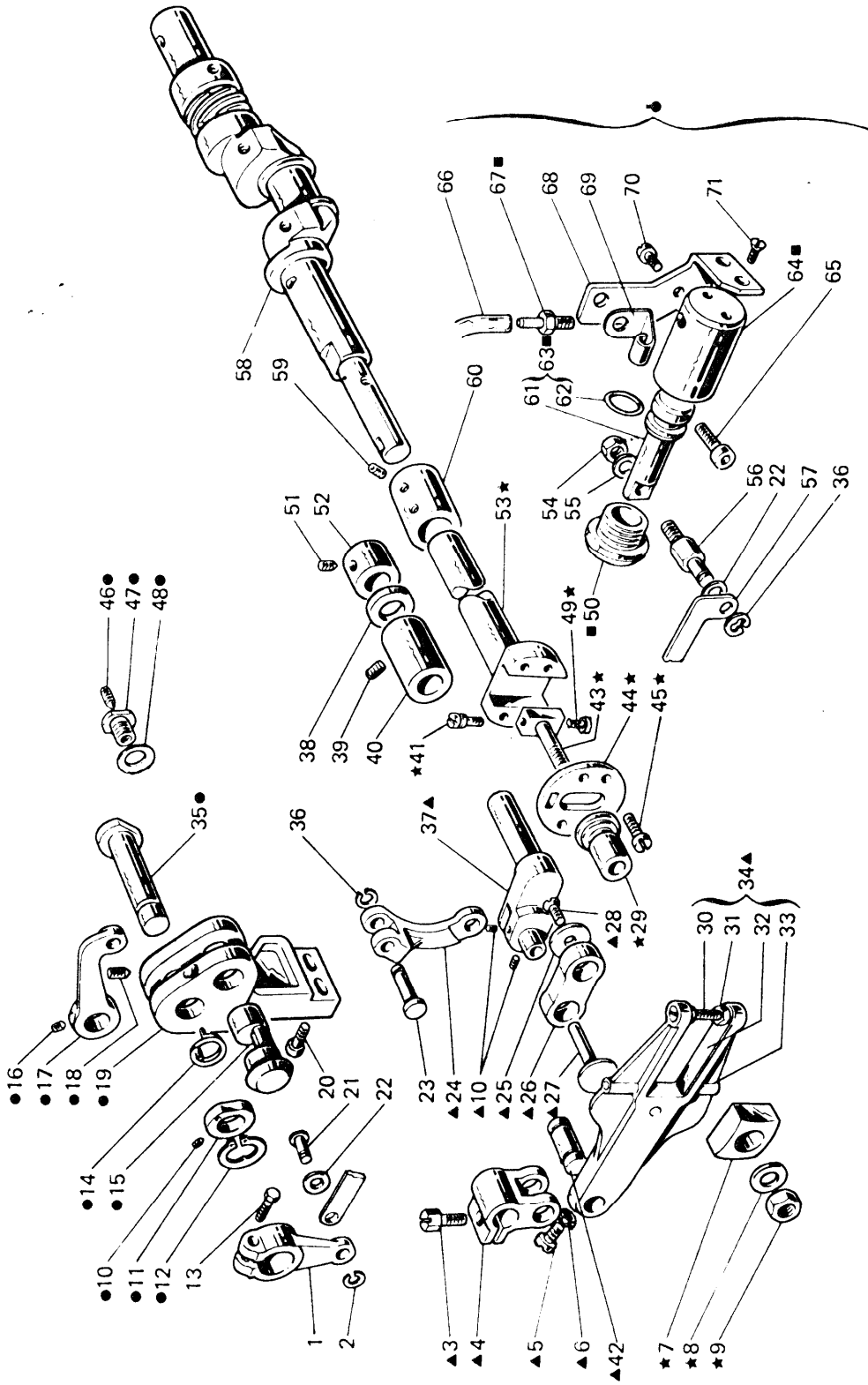


Fig. N. Abb. N.	Part. N. Bestell N. Piece N. Pieza N.	DESCRIZIONE	DESCRIPTION	DESCRIPTION	BENENNUNG	DESCRIPCION
42	308285-2-02	perno	pin	pivot		pivot
43	308278-0-01	perno scorrevole	pin	pivot		pivot
44	308774-2-00	piastra disco	disc plate	plaque		plaque
45	724441-0-00	vite	screw	screw		vis
46	730041-2-00	vite	screw	screw		vis
47	303762-0-11	raccordo	pipe connection	raccord		raccord
48	303765-0-10	rondella elastica	spring washer	rondelle élastique		rondelle élastique
49	308780-2-00	vite	screw	screw		vis
50	924773-0-10	tappo	plug	bouchon		bouchon
51	727024-0-00	vite	screw	screw		vis
52	302284-0-10	anello di registro	adjustment ring	bague de réglage		bague de réglage
53	308384-2-10	semialbero sinistro	left half-shaft	semi-arbre gauche		semi-arbre gauche
54	746403-2-00	dado	nut	écrou		écrou
55	704308-4-00	rondella	washer	rondelle		rondelle
56	924776-0-10	perno	pin	pivot		pivot
57	924141-0-00	asta	rod	tige		tige
58	314250-3-00	semialbero destro	right half-shaft	semi-arbre droit		semi-arbre droit
59	745827-2-00	vite	screw	screw		vis
60	308015-0-00	manicotto	coupling	manchon		manchon
61	924774-0-10	pistoncino	piston	petit piston		petit piston
62	701014-0-00	anello di tenuta	retainer ring	bague		bague
63	924775-4-10	pistoncino con anello	piston with ring	petit piston avec anneau		petit piston avec anneau
64	924770-0-10	corpo	body	corps		corps
65	722441-2-00	vite	screw	screw		vis
66	790425-0-00	tubetto	pipe	tube		tube
67	924701-0-10	attacco	pipe union	raccord		raccord
68	924140-0-00	staffa	bracket	bride		bride
69	924779-0-10	fascetta	clamp	bride		bride
70	741526-2-00	vite	screw	screw		vis
71	724422-2-00	vite	screw	screw		vis
		VARIANTE PER	VARIATION FOR	VARIANTE POUR		
			264-00-1LA-39			
		gruppo albero inferiore (★ con 58-59-60)	lower shaft assembly (★ with 58-59-60)	groupe arbre inférieur (★ avec 58-59-60)		groupe arbre inférieur (★ avec 58-59-60)
58	308716-3-01	semialbero destro	right half-shaft	semi-arbre droit		semi-arbre droit

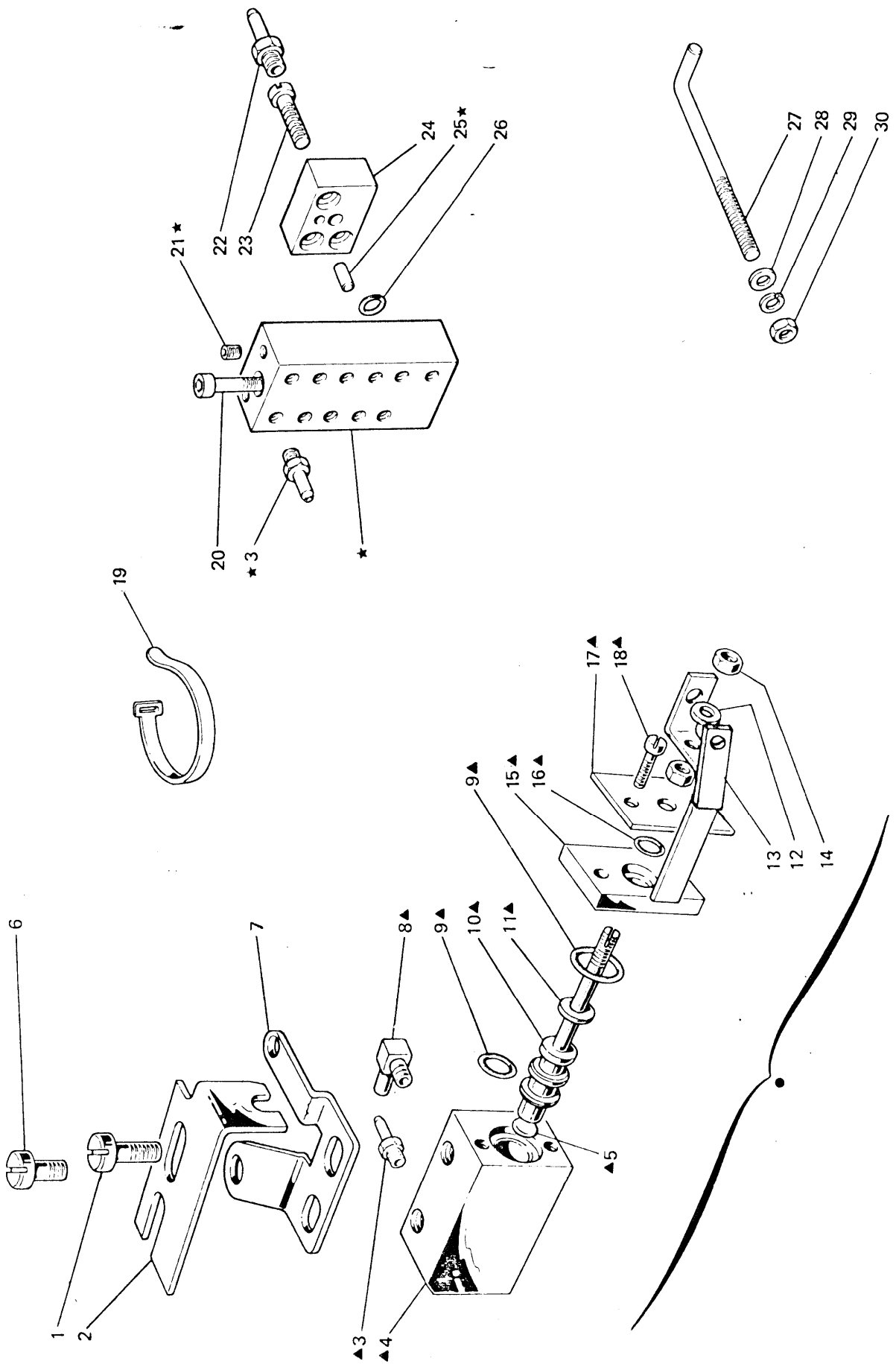


Fig. N. Abb. N.	Part. N. Bestell N. Pezza N.	DESCRIZIONE	DESCRIPTION	DESCRIPTION	BENENNUNG	DESCRIPCION
●	924043-4-00	gruppo tirafilo	thread take-up assembly	groupe tendeur du fil		
▲	924030-4-00	valvola completa	valve assembly	soupape complète		
★	944764-2-00	distributore completo	distributor assembly	distributeur complet		
1	741925-2-00	vite	screw	vis		
2	924693-0-11	squadretta	bracket	équerre		
3	924701-0-11	attacco	attachment	raccord		
4	924039-0-00	corpo	body	corps		
5	924045-0-00	ammortizzatore	dampner	amortisseur		
6	724442-0-00	vite	screw	vis		
7	924144-0-00	supporto	support	support		
8	943765-0-01	raccordo	pipe connection	raccord		
9	701009-0-00	anello di tenuta	retainer ring	bague d'étanchéité		
10	924031-0-01	pistoncino	piston	piston		
11	924731-0-20	ammortizzatore	dampner	amortisseur		
12	703205-0-00	rondella	washer	rondelle		
13	924688-2-20	tirafilo	thread take-up	tendeur du fil		
14	733505-2-00	dado	nut	écrou		
15	924032-0-00	flangia	flange	flaque		
16	701003-0-00	anello di tenuta	retainer ring	bague d'étanchéité		
17	924033-0-00	coperchio	cover	couvercle		
18	722070-2-00	vite	screw	vis		
19	920258-0-10	cinturino	strap	bride		
20	722573-2-00	vite	screw	vis		
21	729012-2-00	vite	screw	vis		
22	927655-0-00	attacco	attachment	raccord		
23	722431-2-00	vite	screw	vis		
24	944794-2-00	presa	socket	prise		
25	707221-0-00	spina	pin	goupille		
26	701104-0-00	anello di tenuta	retainer ring	bague d'étanchéité		
27	944795-0-00	perno posizionatore	pin	pivot		
28	704310-2-00	rondella	washer	rondelle		
29	703007-0-00	rondella elastica	spring washer	rondelle élastique		
30	733507-2-00	dado	nut	écrou		

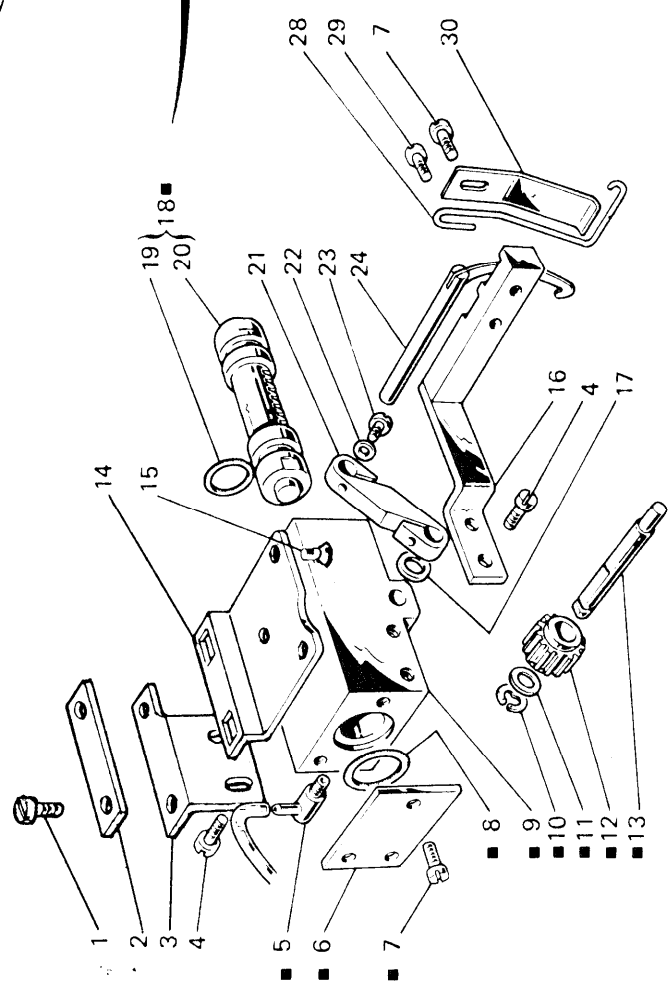
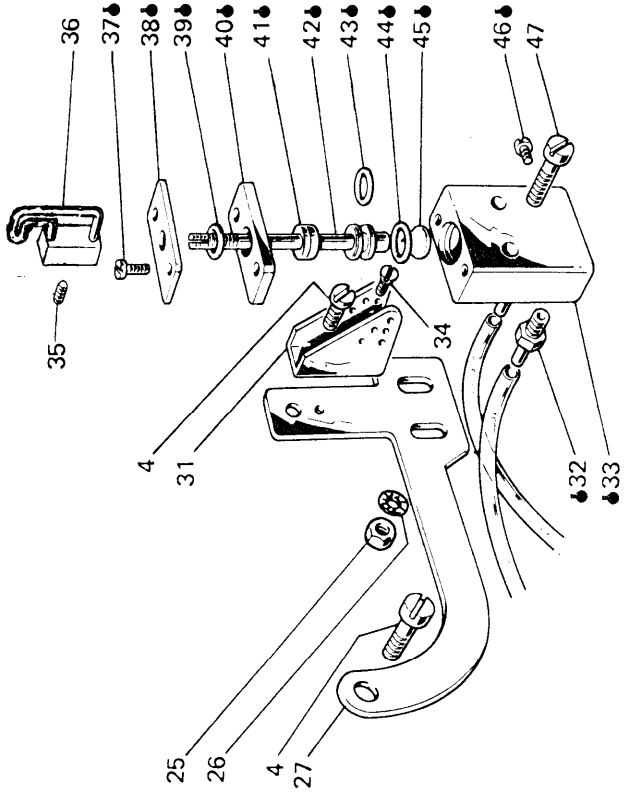


Fig. N. Abb. N.	Part. N. Pezza N. Bestell N. Pieza N.	DESCRIZIONE	DESCRIPTION	BENENNUNG	DESCRIPTION
●	9256668-5-01	appinzatore completo (escluso figg. 1-2-3-4-14-15)	gripping device assembly (excluded figs 1-2-3-4-14-15)		dispositif pinceur complet (exclu figg. 1-2-3-4-14-15)
■	9249614-11	cilindro completo	cylinder assembly		cylindre complet
▲	9247235-13	tirafilo completo (escluso fig. 4)	thread take-up assembly (excluded fig. 4)		tendeur du fil complet (exclu fig. 4)
◆	9240594-00	valvola completa	valve assembly		soupape complet
1	7214742-00	vite	screw		vis
2	9266770-00	piastrina	plate		plaque
3	9266670-10	squadretta	bracket		équerre
4	7419362-00	vite	screw		vis
5	9246980-11	raccordo	pipe connection		raccord
6	9249720-00	coperchio	cover		couvercle
7	7416342-00	vite	screw		vis
8	7010170-00	anello di tenuta	retainer ring		bague d'étanchéité
9	9249620-00	corpo	body		corps
10	7000050-00	anello elastico	spring ring		anneau ressort
11	7038020-00	rondella	washer		rondelle
12	9249650-11	pignone	pinion		pignon
13	9249730-10	albero	shaft		arbre
14	9266760-20	squadretta	bracket		équerre
15	7240560-00	vite	screw		vis
16	9249762-00	supporto	support		support
17	7043050-00	rondella	washer		rondelle
18	9249644-01	pistone completo	piston assembly		piston complet
19	7010090-00	anello di tenuta	retainer ring		bague d'étanchéité
20	9249630-01	pistone	piston		piston
21	9249770-02	leva	lever		levier
22	7030030-00	rondella	washer		rondelle
23	7224102-00	vite	screw		vis
24	9249702-00	gancio	hook		crochet
25	7335052-00	dado	nut		écrou
26	7033050-00	rondella dentellata	washer		rondelle
27	9247270-20	sostegno	support		support
28	9249710-01	molla	spring		ressort
29	7416542-00	vite	screw		vis
30	9249740-01	molla	spring		ressort
31	9247290-10	passafilo	thread guide		passa-fil
32	9247010-11	attacco	pipe union		raccord
33	9240490-00	valvola	valve		soupape
34	7244110-00	vite	screw		vis
35	7458105-00	vite	screw		vis
36	9249802-11	tendifilo	thread take-up		tendeur du fil
37	7220702-00	vite	screw		vis
38	9240470-00	coperchietto	cover		couvercle
39	7010030-00	anello di tenuta	retainer ring		bague d'étanchéité
40	9240480-00	coperchio	cover		couvercle
41	9244020-00	ammortizzatore	damper		amortisseur
42	9240460-00	pistoncino	piston		piston
43	7010040-00	anello di tenuta	retainer ring		bague d'étanchéité

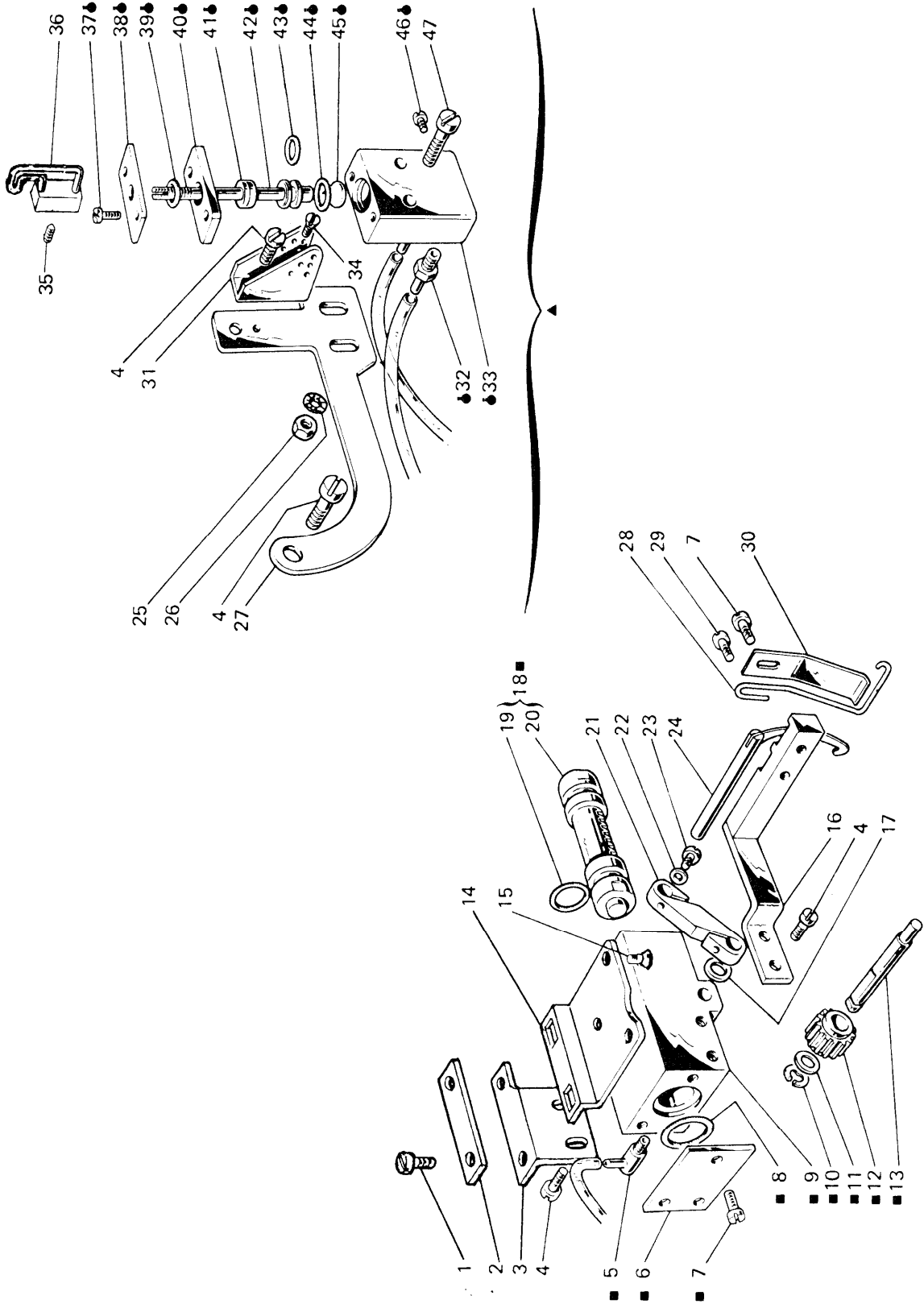


Fig. N. Abb. N.	Part. N. Piece N. Bestell N. Pieza N.	DESCRIZIONE	DESCRIPTION	DESCRIPTION	BENENNUNG	DESCRIPTION
44	701007-0-00	anello di tenuta	retainer ring			
45	924045-0-00	ammortizzatore	damper			
46	741303-4-00	tappo a vite	plug	bague d'étanchéité		
47	722123-2-00	vite	screw	amortisseur		
				bouchon		
				vis		

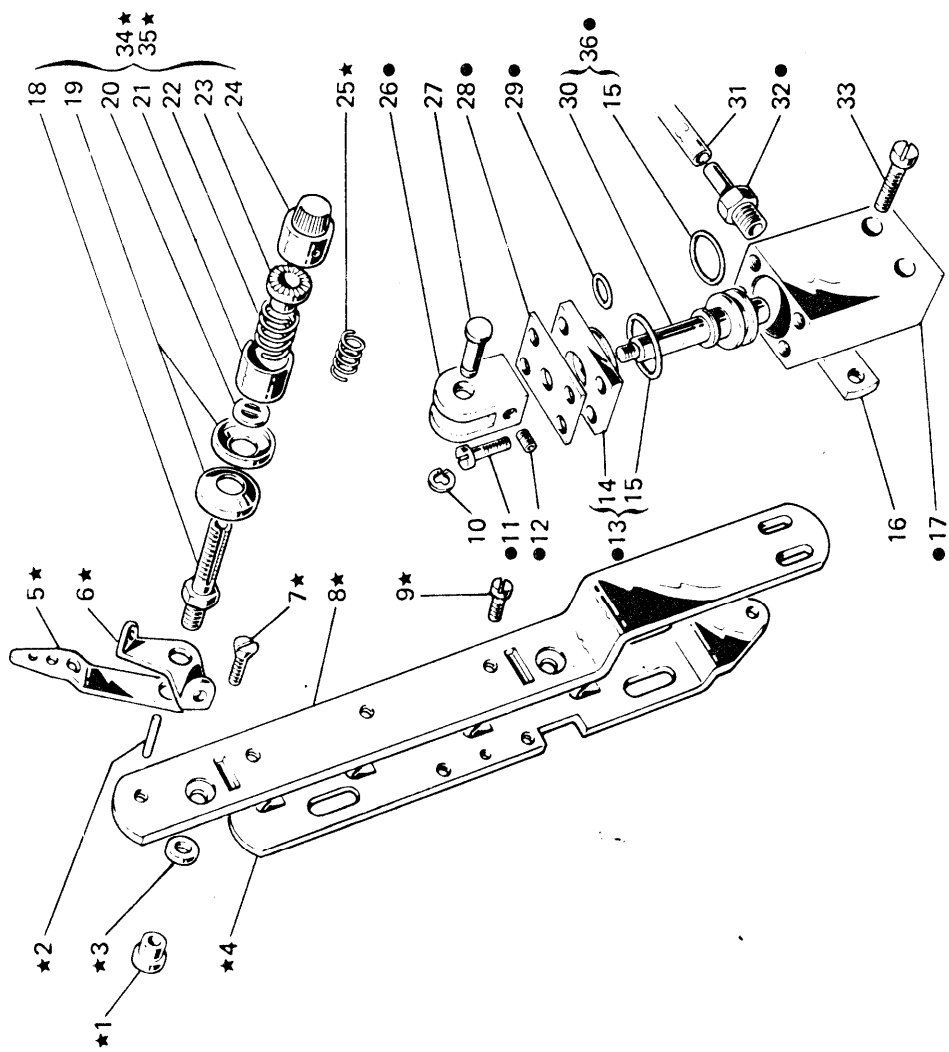


Fig. N. Abb. N.	Parr. N. Bestell N. Pieze N.	DESCRIZIONE	DESCRIPTION	DESCRIPTION	BENENNUNG	DESCRIPCION
★	926662-4-00	gruppo tensioni	tensions assembly	groupe tensions		
●	924735-4-11	valvola completa	valve assembly	soupape compl.		
1	308512-0-00	distanziale	spacer	entretroise		
2	308506-0-00	pernetto	pin	pivot		
3	701007-0-00	anello	ring	anneau		
4	924416-0-00	slitta per tensione	slide for tension	glissière for tension		
5	308501-0-01	passafilo	thread guide	passé-fil		
6	308503-0-01	guidafilo	thread guide	guide-fil		
7	744676-2-00	vite	screw	vis		
8	926657-0-00	supporto	support	support		
10	700205-0-00	anello elastico	spring ring	anneau ressort		
11	741495-0-00	vite	screw	vis		
12	745800-2-00	vite	screw	vis		
13	926669-4-00	flangia con anello di tenuta	flange	flisque		
14	924736-0-20	flangia	flange	flisque		
15	701009-0-00	anello di tenuta	retainer ring	anneau ressort		
16	924740-0-10	piastrina	plate	plaque		
17	924734-0-20	corpo	body	corps		
18	308506-0-00	perno a vite	threaded pin	pivot à vis		
19	300218-0-10	disco tensione	tension disc	disque tension		
20	308507-0-00	rondella	washer	rondelle		
21	202556-0-00	scodellino	cup	cuvette		
22	200710-0-10	molla	spring	ressort		
23	202229-0-10	bussola superiore	upper bush	bague supérieure		
24	202558-2-00	pomolo	knob	pommeau		
25	200714-0-10	molla	spring	ressort		
26	924739-0-10	forcella	fork	fourche		
27	202100-0-10	perno	pin	pivot		
28	924745-0-20	copercchio	cover	couvercle		
29	701104-0-00	anello di tenuta	retainer ring	anneau ressort		
30	924737-0-20	pistone	piston	piston		
31	790420-0-00	tubetto	pipe	tube		
32	924701-0-10	attacco per tubetto	pipe union	raccord pour tube		
33	721086-2-00	vite	screw	vis		
34	308518-4-00	tensione sup. con molla fig. 22	upper tension with spring fig. 22	tension sup. avec ressort fig. 22		
35	308521-4-00	tensione inf. con molla fig. 25	lower tension with spring fig. 25	tension inf. avec ressort fig. 25		
36	924738-4-20	pistone con anello di tenuta	piston with retainer ring	piston avec bague d'étanchéité		
		VARIANTE PER	VARIATION FOR	VARIANTE POUR		
			264-00-1MD-11			
★	926663-4-00	gruppo tensioni	tensions assembly	groupe tensions		
2	308506-0-00	pernetto	pin	pivot		
9	742838-2-00	vite	screw	vis		
18	308505-0-00	perno a vite	threaded pin	pivot à vis		
19	300218-0-10	disco tensione	tension disc	disque tension		
20	308507-0-00	rondella	washer	rondelle		
21	202556-0-00	scodellino	cup	cuvette		
22	200710-0-10	molla	spring	ressort		
23	202229-0-10	bussola superiore	upper bush	bague supérieure		

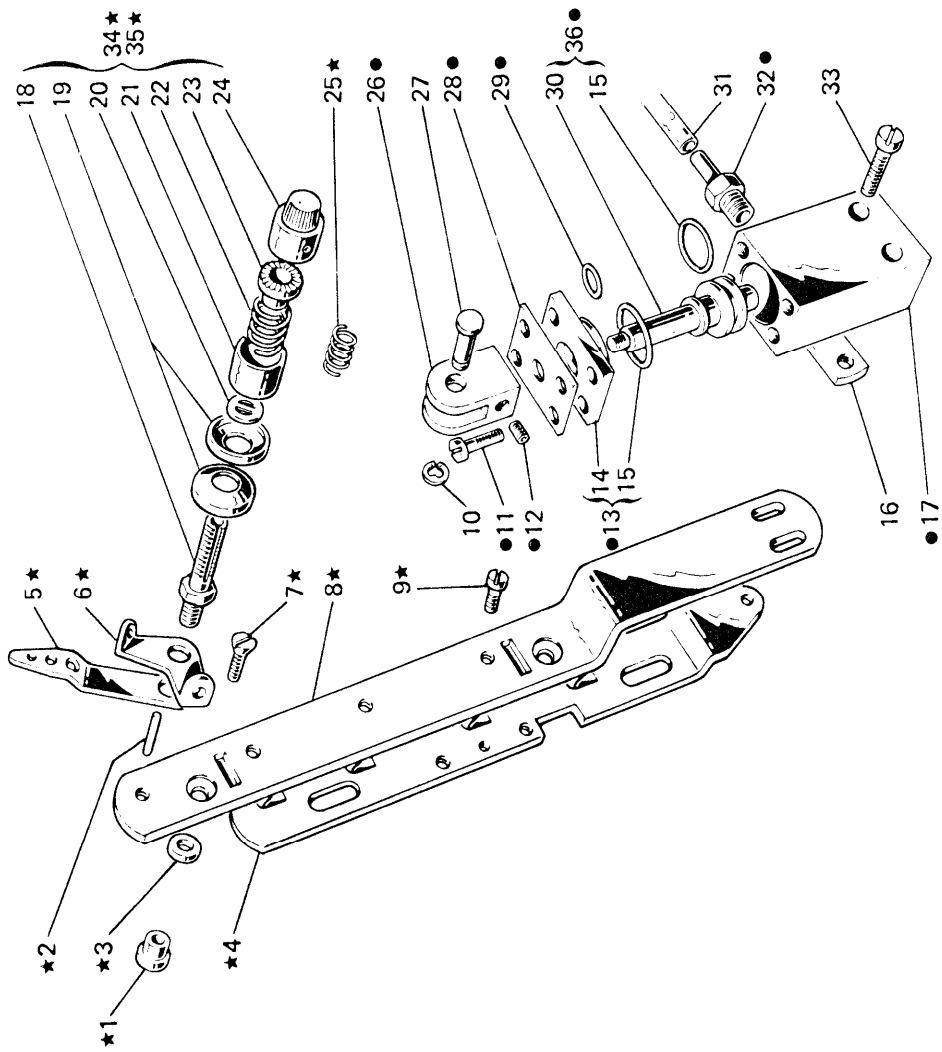


Fig. N. Abb. N.	Part. N. Piece N. Bestell N. Pieza N.	Q nt ità	DESCRIZIONE	DESCRIPTION	DESCRIPTION	BENENNUNG	DESCRIPCION
24	202558-2-00	1	pomolo	knob	potmeau		
34	308520-4-00	1	tensione sup. con molla fig. 22	upper tension with spring fig. 22	tension sup. avec ressort fig. 22		
35	308521-4-00	1	PEZZI ANNULLATI	CANCELLED PARTS	PIECES ANNULEES		
			tensione inf. con molla fig. 25	lower tension with spring fig. 25	tension inf. avec ressort fig. 25		

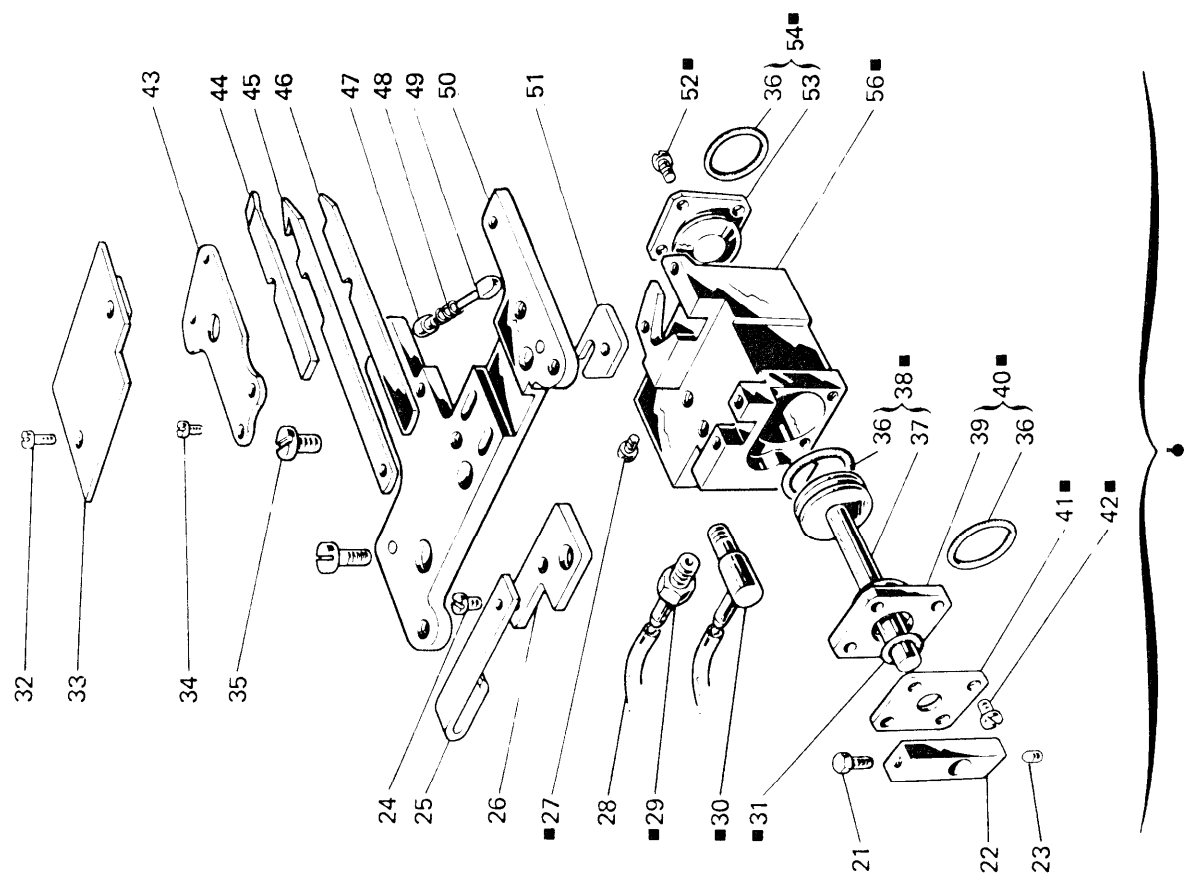
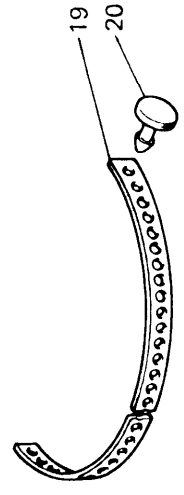
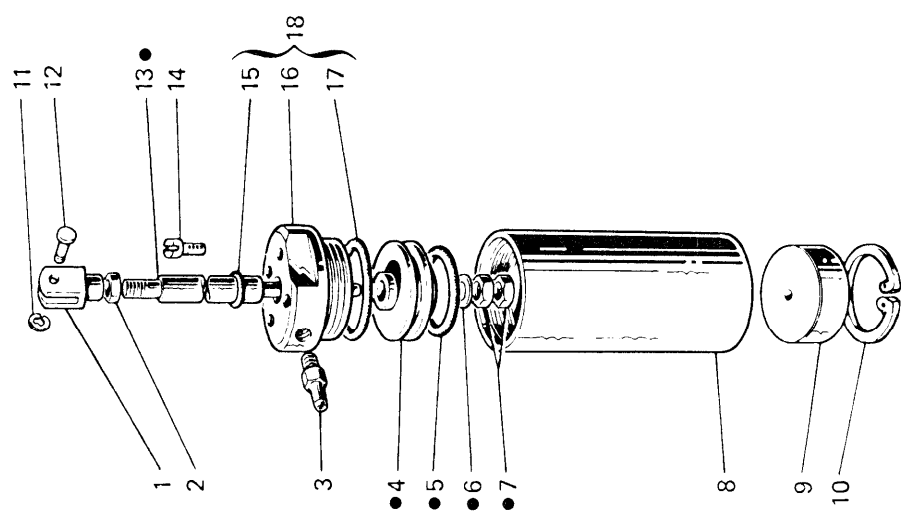


Fig. N. Abb. N.	Part. N. Bestell N. Pieza N.	DESCRIZIONE	DESCRIPTION	DESCRIPTION	BENENNUNG	DESCRIPCION
★	924185-4-00	gruppo pistone (escluso figg. 11-12-14)	piston assembly (excluded figs. 11-12-14)	piston complet (exclu figg. 11-12-14)		
●	924186-4-00	pistone completo	piston assembly	piston complet		
●	924134-4-01	gruppo pistone con coltelli (escluso figg.24-25-26-28-32-33-51)	piston assembly with knives (excluded figs.24-25-26-28-32-33-51)	groupe piston avec couteaux (exclu figg.24-25-26-28-32-33-51)		
■	924657-4-11	pistone completo	piston assembly	piston complet		
1	990310-0-10	forcella	fork	fourche		
2	746402-2-00	dado	nut	écrou		
3	924797-0-10	attacco	pipe union	raccord		
4	924187-0-01	pistone	piston	piston		
5	701121-0-00	anello di tenuta	retainer ring	bague d'étanchéité		
6	704218-2-00	rondella	washer	rondelle		
7	746402-0-00	dado	nut	écrou		
8	924190-0-00	cilindro	cylinder	cylindre		
9	924191-0-00	tappo inferiore	lower plug	bouchon inférieur		
10	700124-0-00	anello elastico	spring ring	anneau ressort		
11	700205-0-00	anello elastico	spring ring	anneau ressort		
12	990311-0-10	perno	pin	pivot		
13	924808-0-10	albero	shaft	arbre		
14	721474-2-00	vite	screw	vis		
15	701007-0-00	anello di tenuta	retainer ring	bague d'étanchéité		
16	924189-0-00	tappo superiore	upper plug	bouchon supérieur		
17	701033-0-00	anello di tenuta	retainer ring	bague d'étanchéité		
18	924188-4-00	tappo sup. con anello di tenuta	upper plug with retainer ring	bouchon sup avec bague d'étanchéité		
19	990441-0-10	cinturino	strap	bride		
20	990442-0-10	bottoncino	button	bouton		
21	924673-0-10	vite	screw	vis		
22	924668-0-10	fascetta	clamp	bride		
23	730011-2-00	vite	screw	vis		
24	741620-2-00	vite	screw	vis		
25	924137-0-00	fascetta	clamp	bride		
26	924136-0-00	piastrina	plate	plaque		
27	741405-4-00	tappo a vite	plug	bouchon		
28	790421-0-00	tubetto	pipe	tube		
29	924701-0-11	attacco	pipe union	raccord		
30	924666-0-11	attacco	pipe union	raccord		
31	701003-0-00	anello di tenuta	retainer ring	bague d'étanchéité		
32	741913-4-00	vite	screw	vis		
33	924130-2-00	carterino	cover	carter		
34	744530-0-00	vite	screw	vis		
35	741956-2-00	vite	screw	vis		
36	701009-0-00	anello di tenuta	retainer ring	bague d'étanchéité		
37	924659-0-11	pistoncino	piston	piston		
38	924660-4-11	pistoncino completo	piston assembly	piston complet		
39	924661-0-11	flangia anteriore	front flange	flaque avant		
40	924662-4-11	flangia completa	flange assembly	flaque complet		
41	924663-0-10	copercchio	cover	couvercle		
42	741461-2-00	vite	screw	vis		

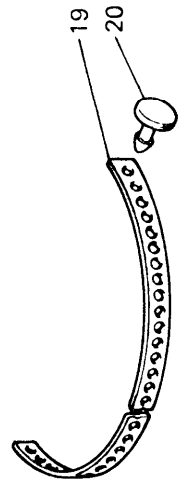
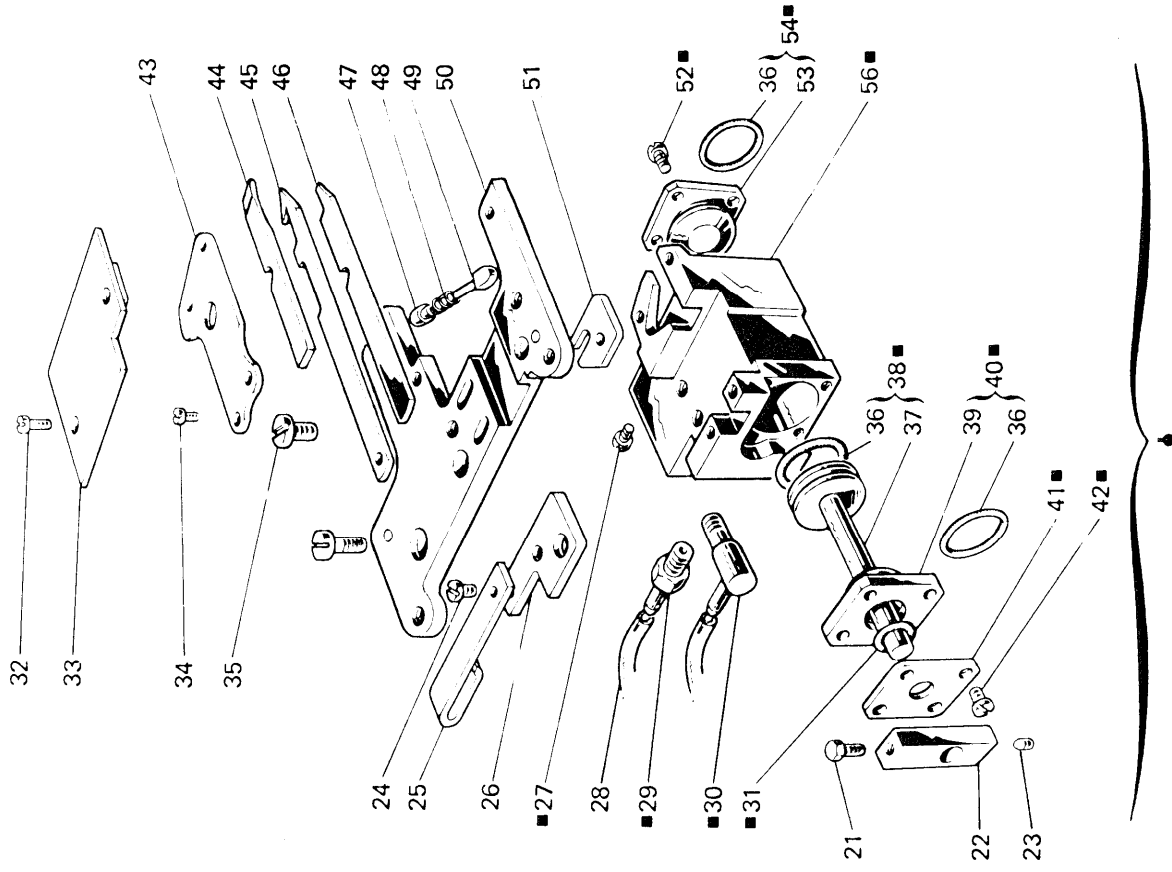
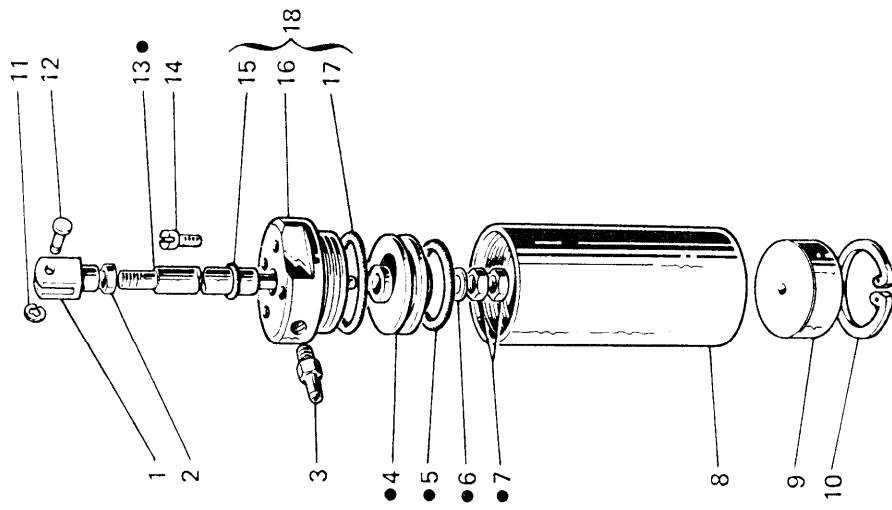
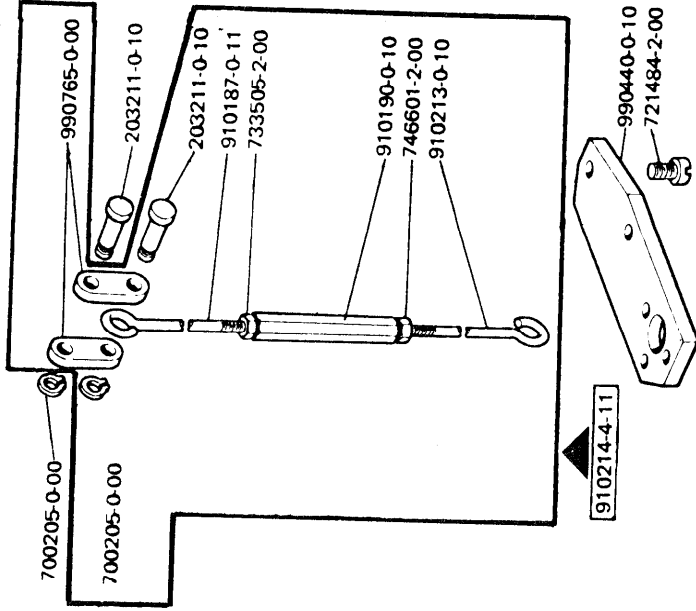


Fig. N. Abb. N.	Part. N. Bestell. N. Piece N. Pieza N.	QUANTITÀ	DESCRIZIONE	DESCRIPTION	DESCRIPTION	BENENNUNG	DESCRIPCION
43	924667-0-20	1	piastina	plate	plaque		
44	944422-0-00	1	coltello superiore	upper knife	cou-teau supérieur		
45	924670-0-20	1	coltello	knife	cou-teau		
46	924638-0-10	1	lama inferiore	lower sheet	plaque inférieur		
47	924675-0-10	1	fulcro	fulcrum	point		
48	100893-0-09	1	molla	spring	ressort		
49	924674-0-10	1	perno	pin	pivot		
50	924132-2-00	1	piastra	plate	plaque		
51	924135-0-01	1	piastina	plate	plaque		
52	741431-2-00	4	vite	screw	vis		
53	924664-0-11	1	flangia posteriore	rear flange	flaque arrière		
54	924665-4-11	1	flangia completa	flange assembly	flaque complet		
55	924656-0-11	1	corpo	body	corps		
			VARIANTE PER	VARIATION FOR	VARIANTE POUR		
			gruppo pistone con coltelli (escluso figg. 24-25-26-28-32-33-51)	piston assembly with knives (excluded figg. 24-25-26-28-32-33-51)	groupe piston avec couteaux (exclu figg. 24-25-26-28-32-33-51)		
33	924147-2-00	1	carterino	cover	carter		
50	924149-2-00	1	piastra	plate	plaque		
			SOLO A RICHIESTA	ONLY ON REQUEST	SEULEMENT SUR DEMANDE		
46	924669-0-20	1	lama inferiore	lower sheet	plaque inférieur		

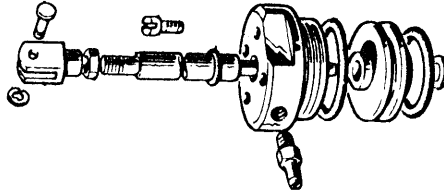
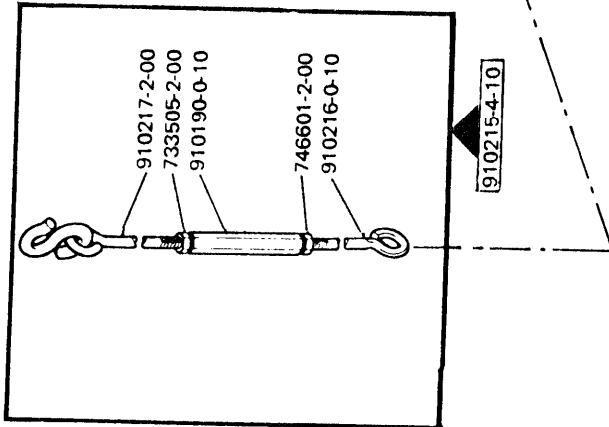
SOLO PER
BANCALE A COLONNA
ONLY FOR
COLUMN STAND

SEULEMENT POUR
BÂTI COLONNE



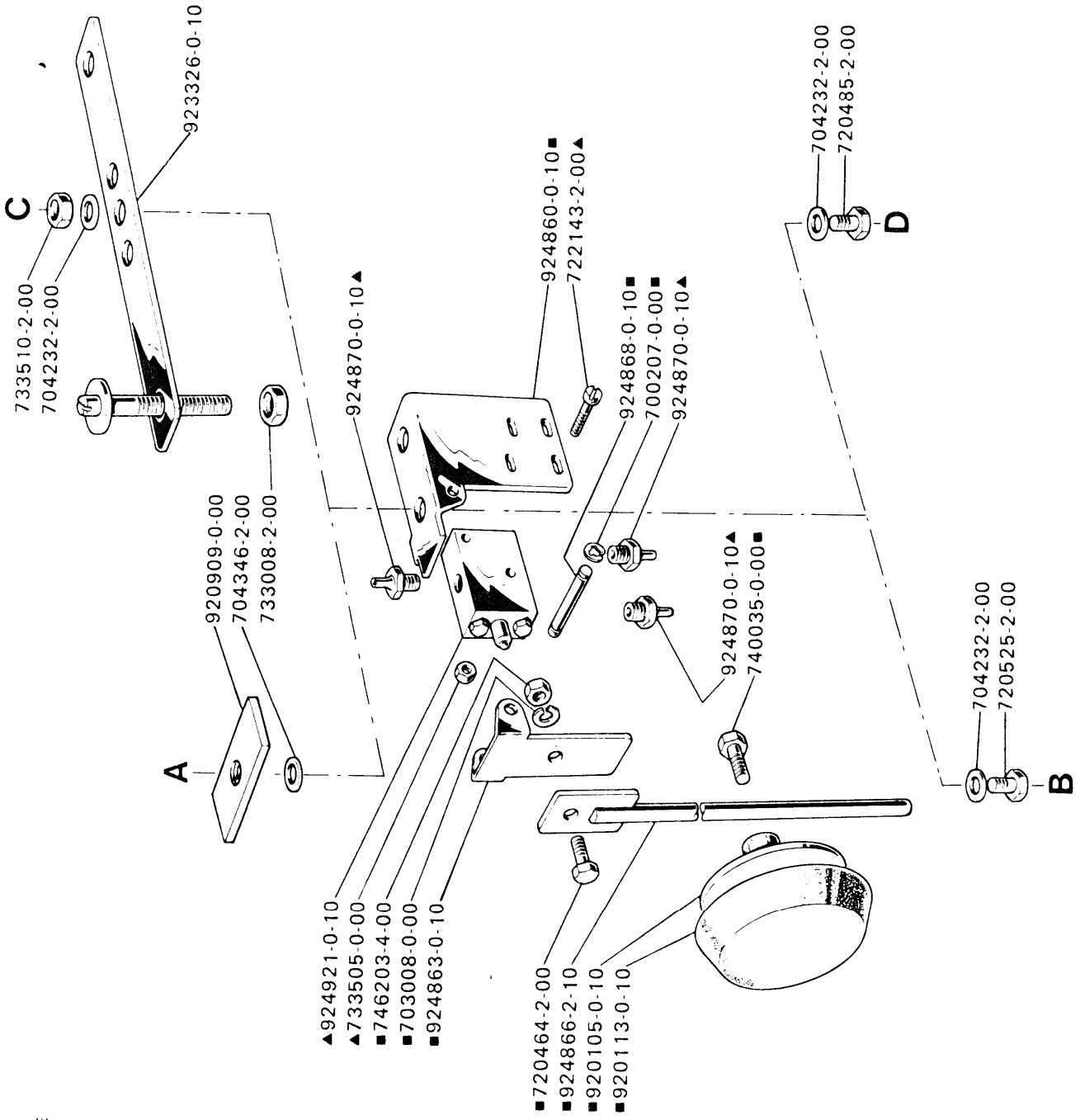
SOLO PER
BANCALE REGOLABILE
ONLY FOR
ADJUSTABLE STAND

SEULEMENT POUR
BÂTI REGLABLE

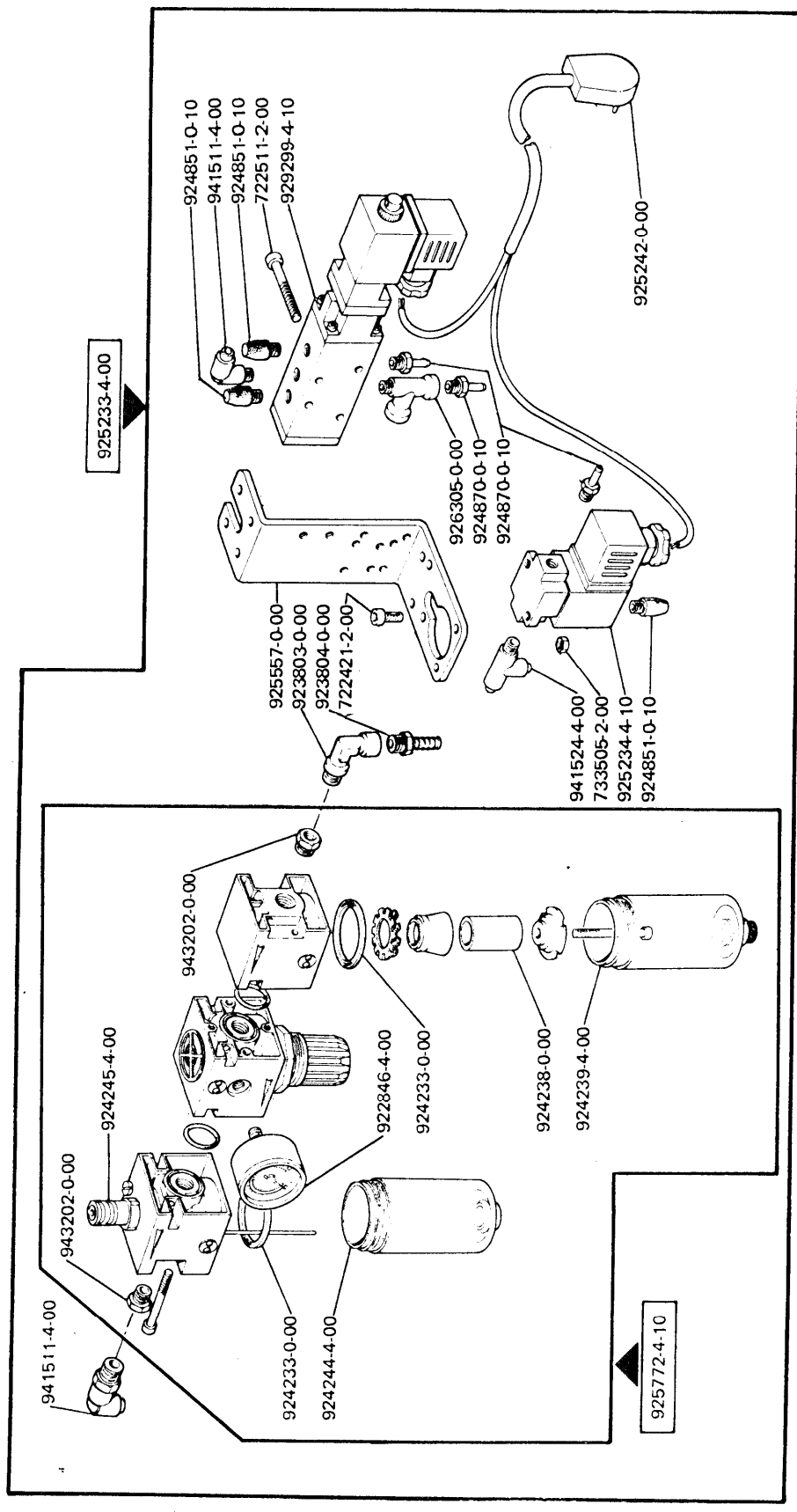


A-B BANCALE REGOLABILE
ADJUSTABLE STAND
BATI REGLABLE

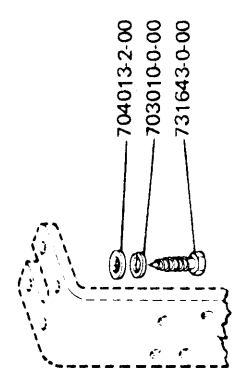
C-D BANCALE A COLONNA
COLUMN STAND
BATI A COLONNE



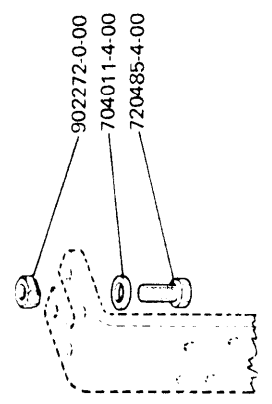
▲ 924922-4-10
■ 924864-4-10



PER BANCALE A COLONNA
FOR COLUMN STAND
POUR BÂTI A COLONNE

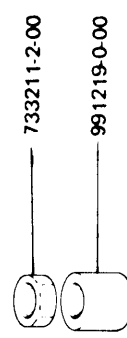
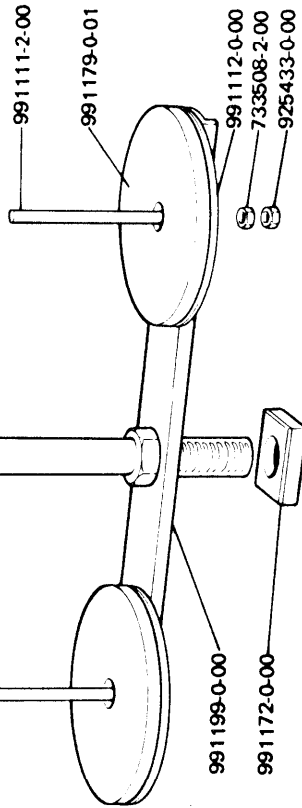
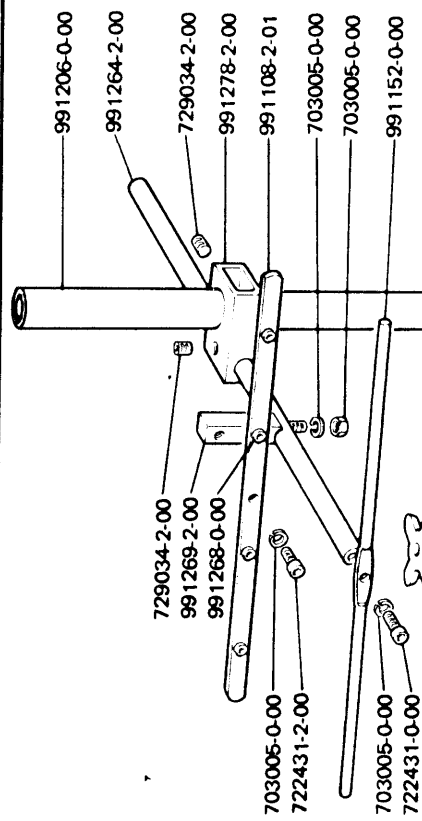
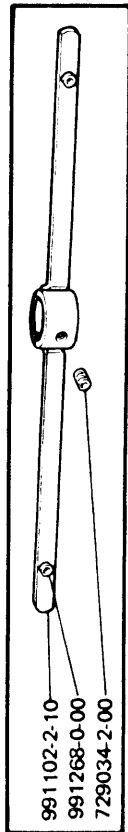


PER BANCALE REGOLABILE
FOR ADJUSTABLE STAND
POUR BÂTI REGLABLE

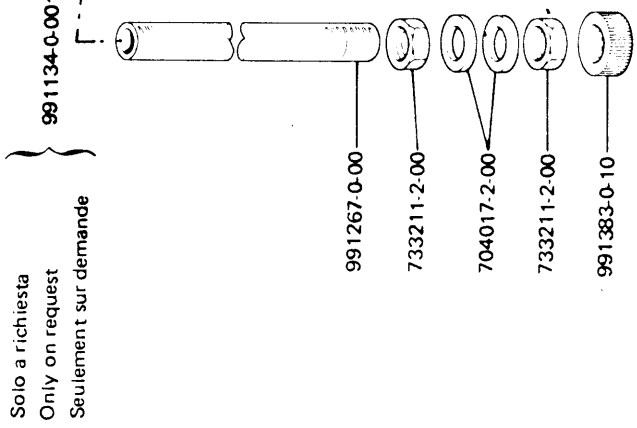
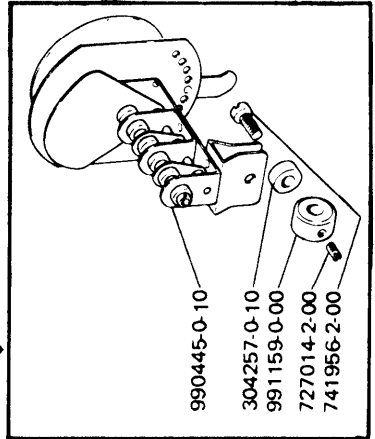


991150-5-02

991197-4-00



991158-4-00



Solo a richiesta
Only on request
Seulement sur demande

Fig. N. Abb. N.	Part. N. Bestell N. Pice N. Pieza N.	DESCRIZIONE	DESCRIPTION	DESCRIPTION	BENENNUNG	DESCRIPCION
1	300917-0-10	2	knob			
2	301050-0-11	1	fabric guide			
3	310013-4-00	1	guide assembly			
			ONLY FOR	264-00-1MD-24		
4	924552-0-11	1	griffa			

pommeau
 guide du tissu
 guide complet
 SEULEMENT POUR
 griffe

