

264-00-1CA-08 264-00-1MA-35 264-16-1MD-03  
264-00-1CA-18 264-00-1MD-24 264-16-1MD-04  
264-00-1CA-19 264-06-1CD-01 264-16-1MD-05  
264-00-1CA-23 264-10-1CA-02 264-16-1MD-06  
264-00-1CD-09 264-10-1CA-03 264-16-1MD-07  
264-00-1LA-39 264-12-1CA-04 264-16-1MD-14  
264-00-1MA-15 264-12-1CD-02 264-38-1LD-01  
264-00-1MA-25 264-16-1CD-01 264-38-1MD-14  
264-00-1MA-28 264-16-1MD-02

## ISTRUZIONI PER LA CONSULTAZIONE DEL CATALOGO

- Tutti i particolari delle teste sono rappresentati in più tavole come indicato nell'indice.
- I particolari sono esplosi nelle stesse posizioni in cui si trovano nelle teste.
- Le linee tratteggiate indicano i collegamenti tra i pezzi che per ragioni di disegno o di spazio non possono essere illustrati nello stesso asse.
- I simboli racchiusi da un riquadro (es. xxxxxx-x-xx ) si riferiscono sempre a gruppi o sottogruppi.
- Nella rappresentazione grafica i componenti dei gruppi sono racchiusi da un riquadro; i componenti dei sottogruppi sono anch'essi riquadrati all'interno del gruppo.

### TAVOLE CON PARTICOLARI COMUNI A TUTTE LE TESTE

- I simboli dei particolari o dei gruppi si leggono direttamente in corrispondenza dei pezzi.

### TAVOLE CON PARTICOLARI NON COMUNI A TUTTE LE TESTE

- I simboli dei particolari o dei gruppi si leggono direttamente in corrispondenza dei pezzi.
- I particolari specifici per le singole teste sono indicati nel disegno con un numero progressivo evidenziato da un cerchio per i pezzi singoli o piccoli gruppi e da un quadrato per i gruppi principali. Per ricercare il simbolo del pezzo e del gruppo occorre consultare la relativa tabella riportata nella stessa tavola.

### TAVOLE DOPPIE

- Per facilitare la consultazione alcune tavole sono state duplicate e sono indicate con lo stesso numero affiancato da una lettera (es. 3/A - 3/B).
- Nelle tavole . . . . . /A . . . . . /B i particolari comuni a tutte le teste sono contrassegnati dal simbolo ★.

### ORGANI DI CUCITURA - GUIDE - ACCESSORI VARI

- Gli organi di cucitura — le guide — gli accessori vari sono preceduti da tavole riepilogative con l'indicazione dei particolari in dotazione e a richiesta.

### AGHI

- Gli aghi sono contraddistinti dal sistema e dalla finezza. Il sistema dell'ago e la finezza sono marcati oltre che sulla busta, anche sull'ago stesso. Nelle ordinazioni precisare, oltre al simbolo, il sistema e la finezza degli aghi desiderati. In caso di dubbio allegare un ago campione o una busta vuota.

## INSTRUCTION TO CONSULT THE CATALOGUE

- All the spare parts are illustrated in several tables as indicated in the index.
- The parts are illustrated as they belong together in the machine
- The dashed illustration shows where the adjacent parts belong
- The symbols included in a square (e.g. xxxxxx-x-xx ) are always referred to assemblies or sub-assemblies.
- In the graphical representation the components belonging to sub-assemblies are also included in a square within their assembly.

### TABLES WITH PARTS COMMON TO ALL HEADS

- The symbols of the parts or of the assemblies can be read in direct reference to the parts.

### TABLE WITH PARTS NOT COMMON TO ALL HEADS

- The symbols of the parts or of the assemblies can be read in direct reference to the parts.
- In the drawing the specific parts for the single heads are indicated by a progressive figure which is made evident by a circle for the single parts or small assemblies and by a square for the main assemblies. The symbol of the part or of the assembly can be located by consulting the relevant part-list included in the same table.

### DOUBLE TABLES

- For easier reference, some tables have been duplicated. They are indicated by the same figure plus and additional letter, (e.g. 3/A and 3/B)
- In the tables . . . . . /A . . . . . /B the parts common to all heads are marked by the symbol ★

### SEWING PARTS - FOLDERS - VARIOUS ACCESSORIES

- Sewing parts, folders and various accessories are preceded by summary tables indicating standard parts supplied and parts supplied on request.

### NEEDLE

- The needles are marked with system and size. The system and size of the needle are shown on the packet as well as on the needle itself. When ordering please state symbol, system and size. If you have doubts, enclose a sample needle or an empty packet with your order.

## INSTRUCTION POUR LA CONSULTATION DU CATALOGUE

- Toutes les pièces des têtes sont représentées en plusieurs table comme nous avons indiqué dans l'index.
- Les pièces figurent sur l'illustration comme elles vont ensemble
- Les figures en tirets montrent le lieu de montage des pièces figurant à côté.
- Les symboles compris entre panneaux (ex. xxxxxx-x-xx ) se réfèrent toujours à des groupes ou sous-groupes.
- Dans la représentation graphique les composants des sous-groupes sont eux memes encadrés à l'intérieur du groupe.

### TABLES AVEC COMPOSANTS COMUNS A TOUTES LES TETES

- Les symboles des composants et des groupes se lisent directement en correspondance des pièces.

### TABLES AVEC COMPOSANTS NON COMUNS A TOUTES LES TETES

- Les symboles des composants et des groupes se lisent directement en correspondance des pièces.
- Les composants spécifiques de chaque tête sont indiqués sur les dessins avec un numero progressif encerclé pour les simples composants ou petits groupes et numero encadré pour les groupes principaux. Pour chercher le symbole de la pièce ou du groupe il faut consulter la relative fiche reportée sur la même table.

### TABLE DOUBLE

- Pour faciliter la consultation certaines tables ont été doublées et sont indiquées avec le même numero suivi par une lettre (ex. 3/A - 3/B)
- Dans les tables . . . . . /A . . . . . /B les composants comuns à toutes les têtes son contresignées du symbole ★

### ORGANES DE COUTURES - GUIDES - ACCESSOIRES DIVERS

- Les organes de coutures - les guides - les divers accessoires sont précédés de tables résumés avec l'indication des composants en dotation et sur demande.

### AIGUILLES

- Les aiguilles se différencient par le système et la grosseur. Le système de l'aiguille et sa grosseur, son indiqués non seulement sur le sachet mais également sur l'aiguille. Dans l'ordre précisé, en plus du symbole, le système et la grosseur des aiguilles désirés. En cas de doute, joindre une aiguille comme modèle ou un sachet vide.



INDICE NUMERICO INDEX

INDICE NUMERICO INDEX

Part. N.	Tav. N.	Part. N.	Tav. N.	Part. N.	Tav. N.	Part. N.	Tav. N.	Part. N.	Tav. N.	Part. N.	Tav. N.	Part. N.	Tav. N.
101633-0-10	28	300037-0-11	17-21	300371-0-11	8/B	302151-0-10	47	303419-0-12	15-16-17-30	303991-0-10	24	307676-0-00	8/A
200074-0-10	47	300039-0-11	19	300377-0-10	7	302152-0-10	8/B	303431-3-11	16-15-22	304414-0-10	46	307754-0-00	8/B
200324-0-10	2	300040-0-11	19	300391-0-10	2	302168-2-10	2	303442-0-11	22-23-24-	304612-0-11	8/A	307990-0-00	10
200356-0-10	34	300058-0-10	25-27-29	300406-0-10	47	302172-0-10	2		25-26-27	304616-0-11	8/A	307991-0-00	10
200699-0-10	47	300059-0-10	27	300469-2-11	7	302204-0-10	2	303455-0-10	4	304640-0-10	8/A-8/B	308002-0-00	11
200710-0-10	1	300068-0-10	8/B	300482-0-10	7	302232-0-10	9/A-9/B	303458-0-12	8/A-8/B	304684-0-10	8/A-21	308006-4-00	4
200713-0-10	9/B-47	300069-0-10	37-38	300483-0-10	2-3/A-3/B	302234-0-10	5	303459-2-11	7	304763-0-10	9/A-9/B	308007-0-00	9/A-9/B
200714-0-10	1	300072-2-10	37-38		4-35	302234-0-20	9/A-9/B	303484-0-10	15-16-17-21	304767-2-11	9/A-9/B	308009-0-10	5
200715-0-10	47	300073-0-10	37	300545-0-10	3/B	302238-0-11	9/A-9/B	303494-0-10	8/A-8/B	304809-0-10	22-23	308012-2-10	5
200716-0-10	47	300074-2-10	37	300605-0-10	23	302272-0-10	5	303503-0-10	6	304950-0-10	23	308013-4-02	5
200821-0-10	47	300077-0-11	37-38	300696-0-10	46	302276-0-10	6	303504-0-10	22-23-24-25-	304952-3-01	15-16-23	308015-0-00	5
201143-0-10	7-8/A-8/B	300089-0-10	19	300710-0-10	37-38-45	302289-0-10	6		26-27	305063-0-00	24	308028-2-00	8/A
201236-0-10	34-35	300104-0-11	17-18-21	300759-0-10	22	302292-0-10	4	303507-0-11	15-16-17-	305064-3-01	18-24	308029-2-00	7-8/A-8/B
202027-0-10	10	300118-0-10	24-25-26-	300822-0-10	22-24	302338-0-10	4		18-19	305154-0-00	22-23	308030-2-00	7-8/B
202229-0-10	1		27-29	300846-0-11	15-16-18-21	302344-0-10	9/A	303513-0-10	34	305194-0-00	6	308031-0-01	4
202397-0-10	7	300119-0-11	24-25-26-	300853-3-12	15-22	302349-0-10	47	303514-0-10	34	305385-3-10	16-24	308032-0-00	4
202398-0-10	10		27-29	300865-0-10	37	302352-0-10	4	303515-0-10	34	305435-0-10	16-21	308035-0-00	5
202465-0-10	28	300120-0-10	22-23-24-25	300866-2-10	36	302353-0-10	3/A-3/B	303516-0-10	34	305436-0-10	16-19	308036-2-00	4
202473-0-11	8/B		26-27-29	300868-2-10	36	302354-0-20	3/A-3/B	303517-4-10	31-34	305475-0-10	28	308037-0-01	4
202474-0-10	6	300126-0-10	35	300917-0-10	34-36	302355-0-10	3/A-3/B	303522-0-10	34	305481-3-11	15-24	308038-0-10	4
202486-0-10	8/A-8/B	300128-0-10	39-40-41	300918-0-10	36	302356-0-10	5	303538-0-00	6	305489-0-10	24	308039-0-01	4
202556-0-01	1		42-43	300974-0-11	19	302590-4-10	4	303539-0-00	6	305666-0-00	10	308040-2-00	10
202558-2-01	1	300129-0-10	31-32-44	300983-2-10	37	302591-2-11	4	303650-4-01	16-30	306600-3-02	17-18-24	308041-0-00	4
203231-0-10	4	300130-0-10	39-40-41	301268-0-10	22-26-27-	302734-0-00	17-30	303651-0-00	30	306601-3-01	17-25	308042-0-00	4
204869-0-10	28		42-43		29	302923-0-10	30	303687-4-00	32-34	306602-3-01	17-25	308043-0-00	10
206545-0-00	11	300163-0-10	35	301355-0-10	28	303023-0-10	44	303688-0-00	34	306603-3-02	17-25	308044-0-00	7
206555-0-00	10	300173-0-10	31-44	301459-4-10	7-8/A-8/B	303045-0-10	1	303689-0-00	34	306651-3-01	17-25	308045-0-01	7
206557-0-00	10	300174-0-11	31-32-44	301519-2-11	8/A-8/B	303052-0-00	22-24-26	303694-2-10	35	306653-3-00	16-26	308046-2-01	7
206559-0-01	11	300175-0-11	40-41-42	301579-0-10	7-8/A-8/B		27-29	303697-0-00	34	306660-3-01	17-26	308047-0-00	7
206560-0-10	11	300209-0-10	7-8/A-8/B	301586-0-10	8/A-8/B	303171-4-10	4	303713-0-12	15-16-18-21	306661-3-00	15-16-17-26	308052-4-00	9/A-9/B
206564-0-00	11	300216-0-10	47	301596-0-11	24-27	303174-0-10	4	303728-0-11	22-26-27-29	306663-3-02	15-26	308054-0-01	9/A-9/B
206669-2-02	10	300218-0-10	1	301598-0-10	24	303183-2-10	4	303770-3-11	15-16-17-22	306692-3-02	17-27	308055-2-00	9/A
207830-4-00	32-33-34	300231-0-30	8/B	301598-0-11	24-26-27	303184-4-10	4	303777-3-01	15-16-22	306696-3-02	17-27	308057-0-10	9/A-9/B
207831-2-00	34	300277-0-10	3/B	302028-2-20	8/B	303188-0-10	17-18-19	303780-3-01	15-16-23	306697-3-01	18-27	308058-0-00	9/A-9/B
207832-2-00	34	300288-0-10	8/B	302052-2-21	6	303189-0-20	17-19	303783-3-01	15-16-23	306711-3-01	16-27	308059-0-01	9/A-9/B
207833-0-00	34	300310-0-10	2	302057-0-13	16-17-18-30	303190-4-20	17-19	303786-3-01	15-16-23	307137-0-00	28	308060-4-10	9/A-9/B
207973-0-01	3/A-3/B	300351-0-11	7	302059-0-10	9/A-9/B	303191-0-10	19	303805-0-10	29	307138-0-00	28	308061-0-01	9/A
300006-0-12	3/A-3/B	300352-0-10	7	302060-0-11	9/A	303192-4-10	17-19	303834-0-11	24-26	307146-3-01	15-28	308062-2-01	9/A-9/B
300020-0-10	17-18-21	300361-0-20	8/B	302136-0-12	1	303288-0-10	17-18-19	303933-0-12	15-21	307151-0-02	15-18-30	308086-0-11	5
300034-0-20	17-21	300362-0-11	8/B	302149-0-11	2	303396-2-10	4	303934-0-10	15-19	307152-0-01	15-21	308094-0-00	9/A-9/B
300035-0-11	17-21	300364-0-10	8/B	302150-0-10	47	303397-4-10	4	303938-3-10	36	307153-0-01	15-20	308098-0-00	9/A-9/B

**INDICE NUMERICO      INDEX**

Part. N.	Tav. N.	Part. N.	Tav. N.	Part. N.	Tav. N.	Part. N.	Tav. N.	Part. N.	Tav. N.	Part. N.	Tav. N.	Part. N.	Tav. N.
308101-2-01	3/A-3/B	308207-0-00	10	308358-4-01	8/A-8/B	308783-2-00	3/A-3/B	309259-0-00	3/A	309607-3-00	15-16-29	312942-2-00	32-33-37
308102-0-00	3/A-3/B	308208-0-10	11	308379-0-00	11	308787-4-00	3/B	309261-0-10	3/B	309608-0-00	9/B	312943-2-00	46
308103-4-10	3/A-3/B	308209-0-00	11	308381-2-10	8/A-8/B	308800-3-00	16-28	309262-0-10	3/B	309609-0-00	9/B	312944-0-00	46
308104-0-00	10	308210-0-00	11	308389-0-00	5	308802-0-00	7	309263-0-00	3/B	309610-0-00	9/B	312945-2-00	46
308105-4-03	10	308211-0-00	10	308400-2-00	1	308804-0-00	28	309302-2-00	3/A	309611/0/00	9/B	312948-0-00	20
308107-0-01	1	308213-0-00	11	308401-0-20	1	308819-0-00	16-20	309305-2-00	3/B	309612-0-00	9/B	312949-2-00	46
308110-3-02	10	308214-0-00	10	308406-0-00	9/A	308820-0-00	16-21	309307-2-00	3/B	309614-0-00	9/B	312950-5-01	33
308111-0-00	10	308215-0-00	10	308407-4-00	5	308821-3-00	16-28	309313-2-00	3/A	309615-3-00	15-29	312951-5-00	33
308113-0-00	11	308218-0-00	4	308410-0-00	5	308824-0-00	28	309314-2-00	3/A-3/B	309616-2-00	9/B	312955-4-00	17-20
308114-2-02	10	308220-0-00	4	308412-2-02	9/A-9/B	308851-2-01	5	309323-0-00	3/A-3/B	309619-0-01	15-16-20	312956-0-00	20
308123-0-00	10	308222-0-00	4	308413-0-00	9/A	308852-0-00	5	309324-2-10	3/A-3/B	309620-0-00	15-16-21	312959-3-00	17-29
308125-0-01	11	308226-0-02	11	308418-4-00	8/A	308853-0-02	5	309331-0-00	3/B	309621-0-00	29	312960-4-00	31-32-38
308127-0-00	5	308228-2-00	11	308461-0-00	12	308855-0-00	4	309332-0-00	3/A-3/B	309624-0-00	15-20	312961-0-00	31-33-38
308128-0-01	3/A-3/B	308261-4-01	6	308495-2-01	1	308858-0-00	5	309342-0-11	37-38	309667-0-00	3/A	312962-0-00	31-33-38
308129-0-01	3/A-3/B	308272-0-00	6	308500-0-00	8/A-8/B	308859-2-00	5	309351-0-00	3/A-3/B	309830-2-00	5	312963-0-00	31-33-38
308137-0-00	1	308273-0-00	6	308501-0-01	1	308934-4-00	2	309352-0-00	3/A	309831-2-00	5	312964-0-00	31-33-38
308138-0-13	10	308275-2-00	8/B	308502-0-00	1	308957-0-00	11	309360-0-00	3/A	309838-2-01	8/A-8/B	312965-0-00	31-33-38
308140-0-00	6	308276-0-20	8/B	308503-0-01	1	308967-2-01	2	309371-0-00	3/A-3/B	309839-2-01	8/A-8/B	312966-0-00	31-33-38
308148-0-00	9/A	308278-0-01	8/A-8/B	308504-0-00	1	308971-3-00	2	309372-0-00	3/A-3/B	310000-4-00	31-32-35	312967-0-00	31
308149-0-01	5	308281-0-00	8/A-8/B	308505-0-00	1	308996-0-03	9/A-9/B	309440-3-00	15-16-28	310003-4-00	31-35	312967-2-00	33-38
308159-2-01	5	308283-2-10	8/A-8/B	308506-0-00	1	309042-2-00	3/A	309441-2-00	28	310004-0-00	31-34	312968-0-00	32
308161-0-00	5	308286-4-10	8/A-8/B	308507-0-00	1	309044-2-00	3/B	309442-0-00	28	310012-4-00	31-36	312968-2-00	33-38
308162-0-00	5	308287-0-00	8/A-8/B	308512-0-00	1	309045-2-00	3/A	309443-0-00	28	310041-4-00	31-36	312972-4-00	32-33-46
308166-0-00	5	308289-4-11	8/A-8/B	308518-4-00	1	309058-4-00	3/A	309444-0-00	28	310042-4-00	31-36	312973-0-00	46
308174-3-01	5	308292-4-00	7	308521-4-00	1	309059-4-00	3/A	309445-0-00	28	310048-4-00	31-36	312974-2-00	46
308178-4-01	5	308293-0-02	5	308529-4-00	1	309062-4-00	3/B	309446-0-00	28	310060-4-00	31-37	312976-0-00	33
308179-0-00	11	308294-0-10	8/A-8/B	308534-4-00	1	309084-0-00	3/A-3/B	309515-0-00	35	310151-4-01	31-37	312977-0-00	46
308180-2-01	10	308296-0-00	8/A-8/B	308551-0-00	2	309086-0-01	3/A-3/B	309516-0-00	35	310350-4-00	7	312978-0-00	46
308184-0-00	10	308297-0-00	7	308553-2-00	2	309088-0-01	3/A-3/B	309517-4-00	31-35	310354-4-00	7	312979-0-00	46
308185-0-00	10	308310-0-00	7	308556-0-00	2	309126-3-00	3/A-3/B	309519-3-00	16-29	310355-4-00	7	312980-4-00	32-46
308190-0-00	8/A-8/B	308311-0-00	7	308558-0-00	2	309139-4-00	3/A-3/B	309548-0-00	35	310561-2-00	10	312981-2-00	46
308191-4-01	8/A-8/B	308320-4-10	9/A-9/B	308558-4-10	11	309177-3-00	3/A	309549-0-00	35	310746-0-00	4	312984-0-00	46
308192-4-03	8/B	308325-3-00	6	308576-2-20	11	309186-3-00	3/B	309550-0-00	35	310747-0-00	4	312985-0-00	46
308194-0-01	8/B	308326-2-01	6	308708-0-00	17-21	309191-3-10	3/B	309551-0-00	35	311098-0-00	2	312986-2-00	46
308195-0-00	8/A	308327-0-00	6	308714-3-01	5	309192-3-00	3/B	309552-2-00	35	311343-2-00	8/B	312987-4-00	32-46
308196-0-10	8/B	308330-3-00	6	308716-3-01	5	309206-4-00	31-34	309554-0-00	35	311395-0-00	11	312988-2-00	46
308197-0-00	5	308331-4-01	11	308717-3-01	5	309227-0-00	3/A	309560-0-00	8/A-8/B	311408-0-00	45	312991-0-00	33-38
308199-0-00	5	308332-4-00	6	308725-0-00	17-20	309228-0-00	3/A	309603-0-00	29	311471-4-00	4	312992-0-00	33-38
308200-0-01	1	308333-0-00	6	308770-2-00	3/A	309232-0-00	3/B	309604-0-00	29	312057-0-00	30	312993-4-00	32-33-46
308201-0-02	1	308340-4-00	7	308774-2-00	8/A-8/B	309250-0-00	3/B	309605-0-00	29	312810-3-01	6	312994-2-00	46
308206-0-00	11	308341-4-00	7	308780-2-00	8/A-8/B	309254-0-00	3/A	309606-0-00	29	312939-0-00	31-32-37	313375-0-01	1

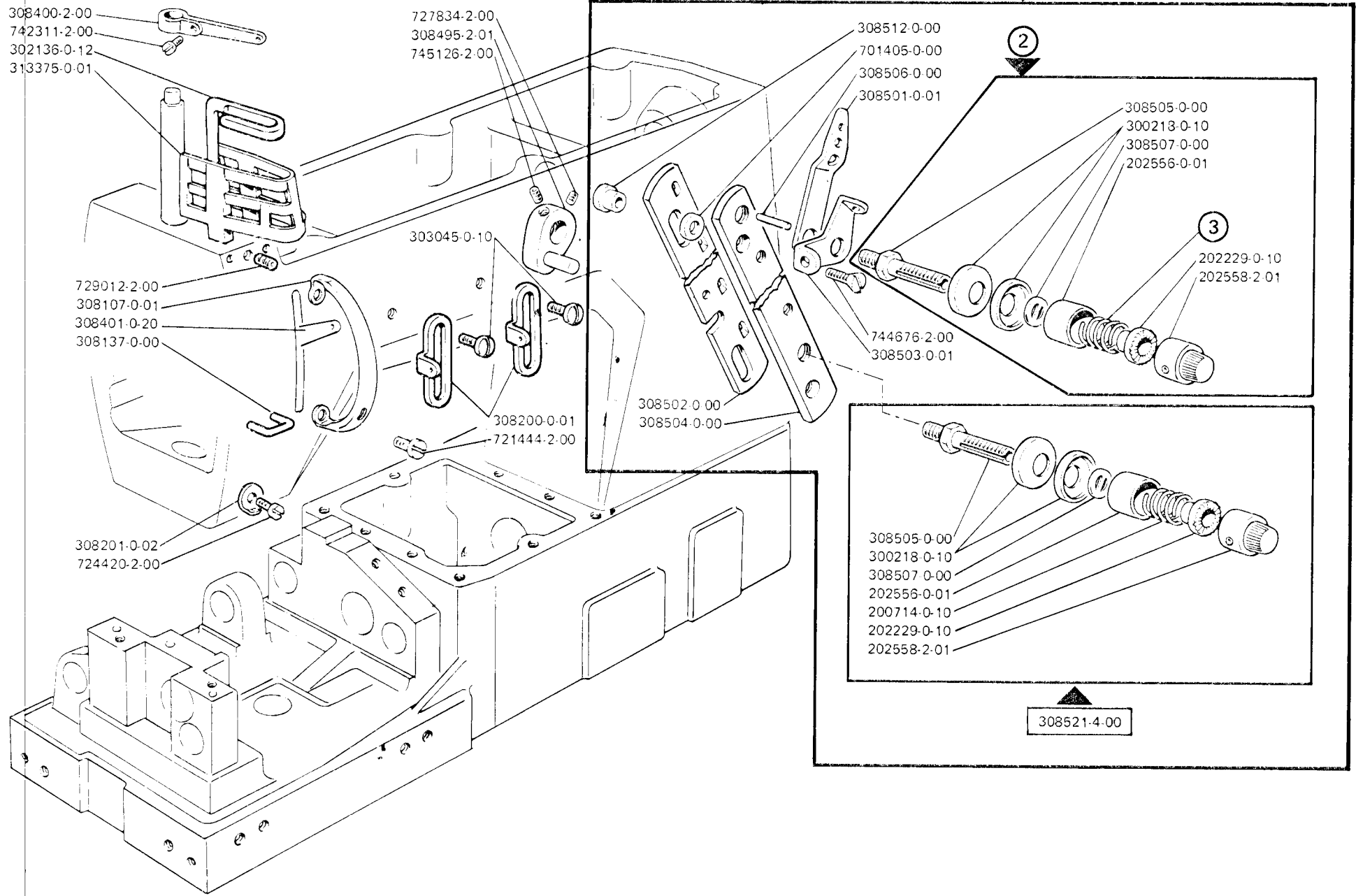
**INDICE NUMERICO INDEX**

Part. N.	Tav. N.	Part. N.	Tav. N.	Part. N.	Tav. N.	Part. N.	Tav. N.	Part. N.	Tav. N.	Part. N.	Tav. N.	Part. N.	Tav. N.
313624-0-00	9/A-9/B	704310-2-00	37	721444-2-00	1-2-8/B-10	730054-2-00	5	741602-0-00	28	745815-2-00	7-8/A-8/B	761808-0-00	31-40
314168-0-00	5	704316-2-00	12-35		21	731107-0-00	45	741612-2-00	2	745827-2-00	5-9/A-9/B	762000-0-00	31-41
314169-0-00	5	704345-2-00	12	721474-2-00	3/A	731107-2-00	45	741642-2-00	2-28-38	746007-2-00	29	762001-0-00	31-41
314183-0-00	5	704346-2-00	12	721475-2-00	12-46	731263-0-00	45	741658-2-00	3/A-3/B-29	746020-2-00	46	762002-0-00	31-41
314188-2-00	5	704347-2-00	8/A-8/B	721484-2-00	11	731265-0-00	47		35	746021-2-00	3/B-47	762004-0-00	31-41
314250-3-00	5	704406-0-00	8/A-8/B-21	721486-2-00	46-47	733008-2-00	12	741675-2-00	6	746204-0-00	9/A-9/B	762005-0-00	31-41
700205-0-00	9/A-9/B	704409-2-00	12-46	721494-2-00	9/A-9/B	733211-2-00	14	741682-0-00	2	746209-2-00	45	762006-0-00	31-41
700208-0-00	12	704419-0-00	4	721514-0-00	10	733503-2-00	29	741781-2-00	24-25-26-27	746404-2-00	8/B	762007-0-00	31-41
700211-0-00	9/B	704505-2-00	38	721514-2-00	46	733504-2-00	22-23-24-25		28-29	746406-2-00	8/A-8/B	762008-0-00	31-41
700215-2-00	8/A-8/B	704512-2-00	37-38	721515-2-00	46		26-27-28-29	741791-2-00	22-23-24-25	746407-2-00	8/A	762010-0-00	31-41
700596-0-00	5	704805-0-00	8/B	722063-2-00	11	733505-2-00	35		26-27-28	746408-2-00	4-5	762012-0-00	31-41
701004-0-00	10	704813-0-00	10	722084-2-00	3/A-5	733507-0-00	10	741928-0-00	8/B	746409-2-00	12	762013-0-00	31-41
701009-0-00	7	704814-0-00	8/A-8/B	722400-2-00	44	733507-2-00	37-38	741936-2-00	3/A-3/B	746612-2-00	8/A-8/B	762014-0-00	31-41
701032-0-00	10	704846-0-00	7-8/A-8/B	722410-2-00	28	733508-2-00	14	741984-2-00	5	760002-0-00	31-39	762015-0-00	31-41
701051-0-00	11	704849-0-00	7	722411-2-00	11	733806-2-00	14	742068-2-00	46	760005-0-00	31-39	762018-0-00	31-41
701134-0-00	11	704869-0-00	5	722431-2-00	14	733813-0-00	12	742222-2-00	5	760201-0-00	31-39	762019-0-00	31-41
701405-0-00	1	705013-0-00	5	722443-2-00	45	739034-2-00	9/A-9/B	742282-2-00	3/A-3/B	760203-0-00	31-39	762101-0-00	31-42
702403-0-00	6	705201-0-00	2	722453-2-00	11	740034-0-00	9/A-9/B	742311-2-00	1	761201-0-00	31-32-39	762102-0-00	31-42
702406-0-00	46	705408-0-00	35	722493-2-00	35-47	740210-2-00	19-20-33-37	742423-0-00	6	761202-0-00	31-32-39	762103-0-00	31-42
702408-0-00	35	705718-0-00	3/A	722905-2-00	12	740220-2-00	2	742811-0-00	8/A-8/B	761203-0-00	31-32-39	762107-0-00	31-42
702415-0-00	45	705734-0-00	7	723266-2-00	45	740226-0-00	6	742813-0-00	8/A-8/B	761204-0-00	31-32-39	762111-0-00	31-42
702437-0-00	47	705834-0-00	7	724420-2-00	1	740240-0-00	11	743265-2-00	22	761206-0-00	31-32-39	762113-0-00	31-42
703003-0-00	11	705970-0-00	3/A-3/B	724441-0-00	8/A-8/B	740243-2-00	8/B	743287-2-00	22	761207-0-00	31-32-39	762201-0-00	31-42
703005-0-00	4-14	705977-0-00	11	724856-2-00	39-40-41-42	740245-2-00	44	743541-2-00	12	761209-0-00	31-32-39	762202-0-00	31-42
703810-0-00	6-9/B	706221-0-00	24-28		43	740257-2-00	8/B	744040-2-00	6	761210-0-00	31-32-39	762203-0-00	31-42
704010-2-00	45	706222-0-00	28	727215-0-00	2-7	740444-2-00	9/A-9/B	744332-2-00	9/A-9/B	761212-0-00	31-32-39	762205-0-00	31-42
704017-2-00	14	706434-0-00	8/B	727834-2-00	1	740475-2-00	8/B	744636-2-00	3/A-3/B	761213-0-00	31-32-39	762206-0-00	31-42
704104-2-00	2-19-20-37	706454-0-00	5	728232-0-00	8/A-8/B	740632-2-00	9/A-9/B	744654-2-00	3/B	761216-0-00	31-32-39	762207-0-00	31-42
	44	707210-0-00	28	729011-2-00	7-34	740830-2-00	35	744656-2-00	3/B	761217-0-00	31-32-39	762208-0-00	31-42
704206-2-00	45	707240-0-00	9/A-9/B	729012-2-00	1-46	741056-0-00	5	744676-2-00	1-3/A-7	761219-0-00	31-32-39	762210-0-00	31-43
704207-2-00	38	707241-0-00	9/A-9/B	729013-2-00	5-8/A-8/B	741082-2-00	10	744730-0-00	19-20	761220-0-00	31-32-39	762211-0-00	31-43
704210-2-00	2	707556-0-00	3/A-3/B	729024-2-00	45	741088-2-00	3/A-3/B-5	744730-2-00	37-38-45	761222-0-00	31-32-40	762212-0-00	31-43
704210-4-00	2-4-34-35	707603-0-00	28	729031-2-00	29	741092-0-00	10	745001-0-00	4	761224-0-00	31-32-40	762213-0-00	31-43
704216-2-00	3/B-44-47	720411-2-00	3/A-3/B	729032-2-00	10	741402-2-00	28	745001-2-00	4	761226-0-00	31-32-40	762214-0-00	31-43
704218-2-00	2-7	721411-2-00	23-24-26-27	729034-2-00	14	741413-2-00	2-27	745124-2-00	5	761305-0-00	31-40	762216-0-00	31-43
704226-2-00	6-8/A-46	721421-2-00	25-27-29	729042-2-00	29	741414-2-00	24-25-26-	745126-2-00	1	761310-0-00	31-40	762217-0-00	31-43
704236-2-00	9/A	721424-2-00	3/B-10	729044-2-00	5		27-29	745136-2-00	8/A-8/B	761314-0-00	31-40	762218-0-00	31-43
704240-2-00	9/A-9/B	721433-2-00	29	729054-2-00	45	741415-2-00	25-27	745800-2-00	4-35	761801-0-00	31-40	762221-0-00	31-43
704302-4-00	2-33	721434-2-00	35-46	729434-2-00	7	741520-2-00	22	745810-2-00	28	761802-0-00	31-40	762224-0-00	31-43
704306-2-00	3/A-3/B-35	721435-2-00	37	729904-2-00	9/A-9/B	741532-2-00	4	745812-2-00	5-8/A-29	761804-0-00	31-40	762225-0-00	31-43
704309-4-00	7	721443-2-00	34	730033-2-00	5-6	741546-2-00	8/B-21	745815-0-00	6	761806-0-00	31-40	762226-0-00	31-43

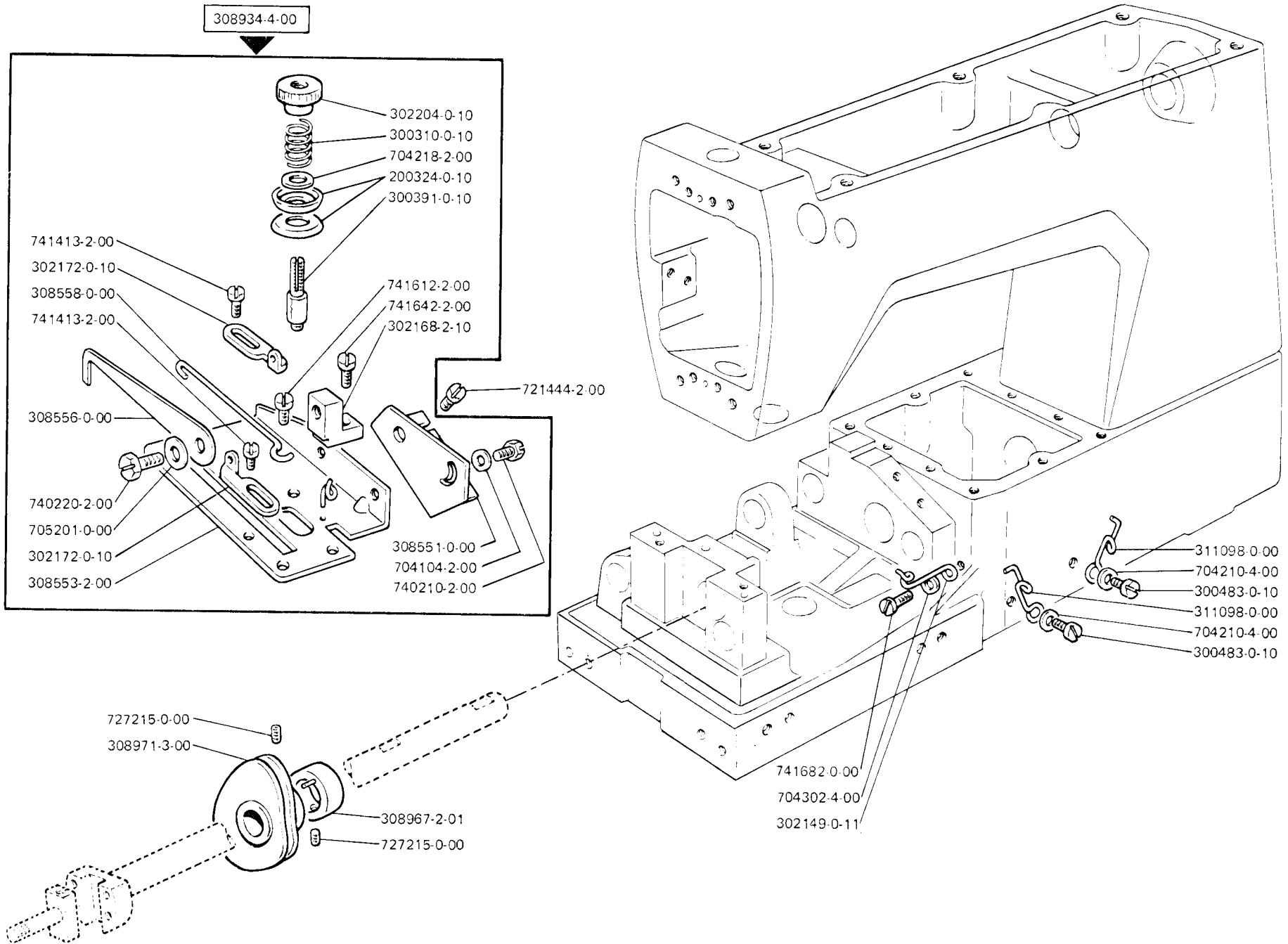


1

	1	2	3
Per tutte le teste escluso 264-00-1MA-28			
For all heads except 264-00-1MA-23	308529-4-00	308518-4-00	200710-0-10
Pour tous les tetes exclu 264-00-1MA-28			
264-00-1MA-28	308534-4-00	308521-4-00	200714-0-10

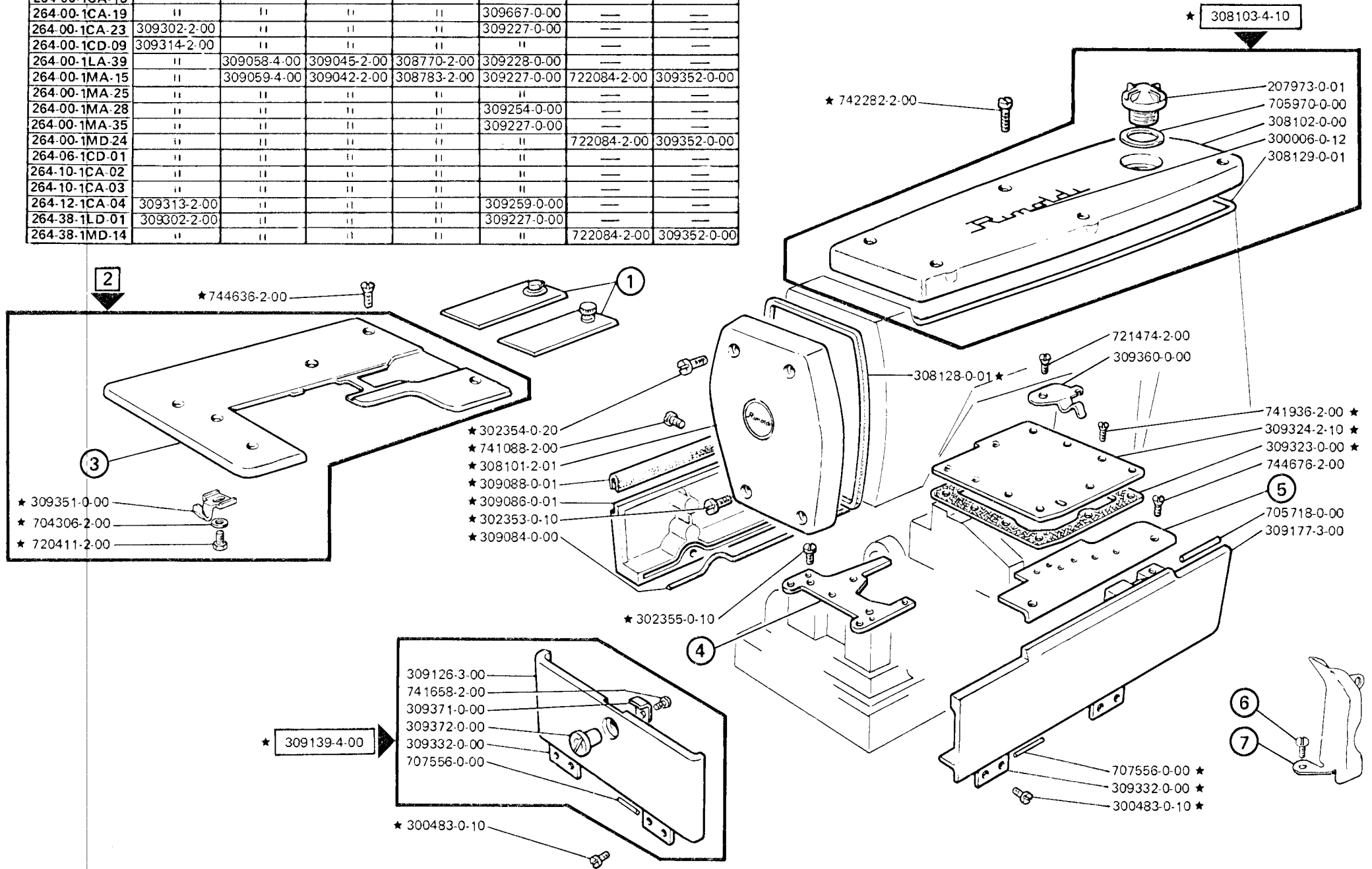




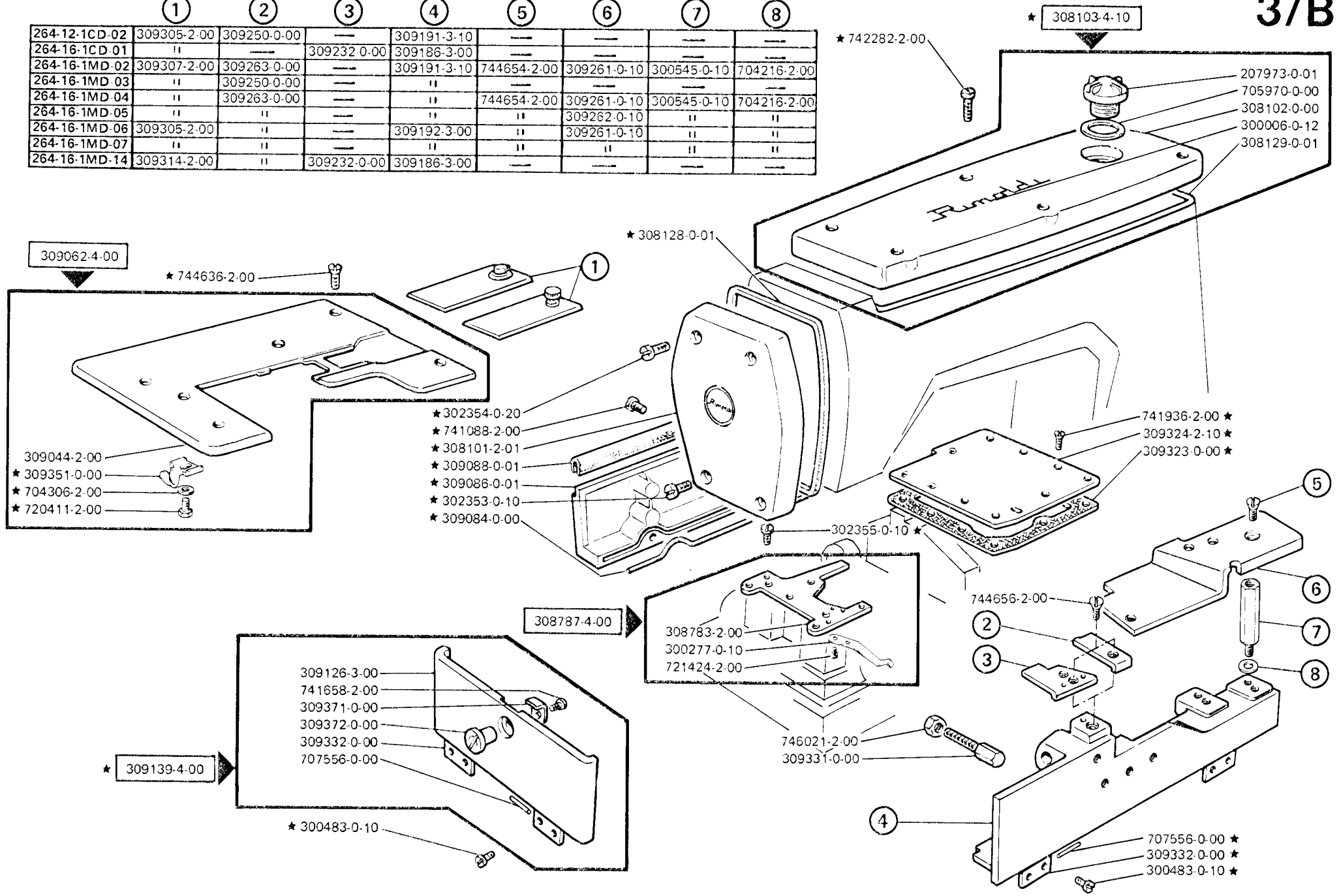


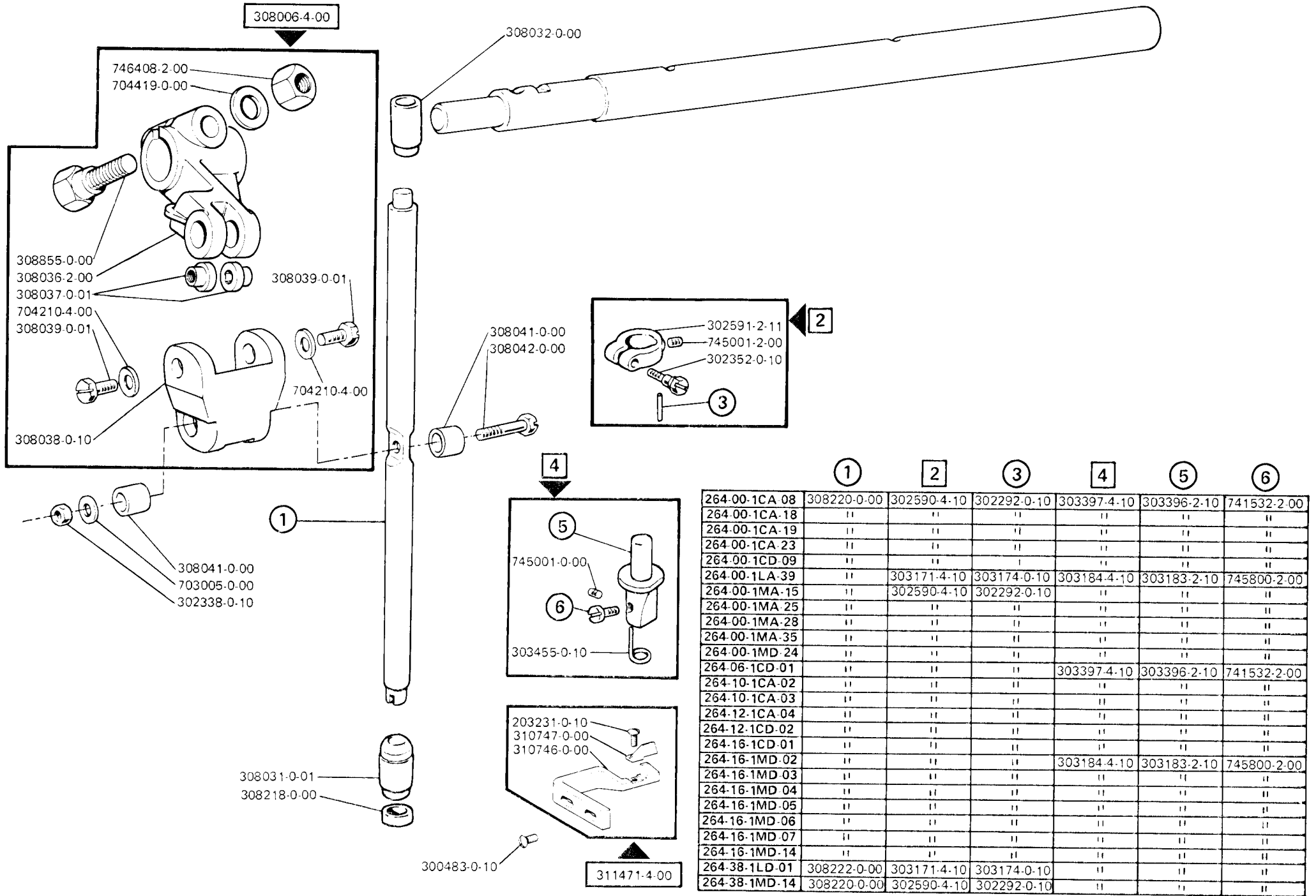
# 3/A

	①	②	③	④	⑤	⑥	⑦
264-00-1CA-08	309314-2-00	309059-4-00	309042-2-00	308783-2-00	309227-0-00	722084-2-00	309352-0-00
264-00-1CA-18						—	—
264-00-1CA-19					309667-0-00	—	—
264-00-1CA-23	309302-2-00				309227-0-00	—	—
264-00-1CD-09	309314-2-00					—	—
264-00-1LA-39		309058-4-00	309045-2-00	308770-2-00	309228-0-00	—	—
264-00-1MA-15		309059-4-00	309042-2-00	308783-2-00	309227-0-00	722084-2-00	309352-0-00
264-00-1MA-25						—	—
264-00-1MA-28					309254-0-00	—	—
264-00-1MA-35					309227-0-00	—	—
264-00-1MD-24						722084-2-00	309352-0-00
264-06-1CD-01						—	—
264-10-1CA-02						—	—
264-10-1CA-03						—	—
264-12-1CA-04	309313-2-00				309259-0-00	—	—
264-38-1LD-01	309302-2-00				309227-0-00	—	—
264-38-1MD-14						722084-2-00	309352-0-00

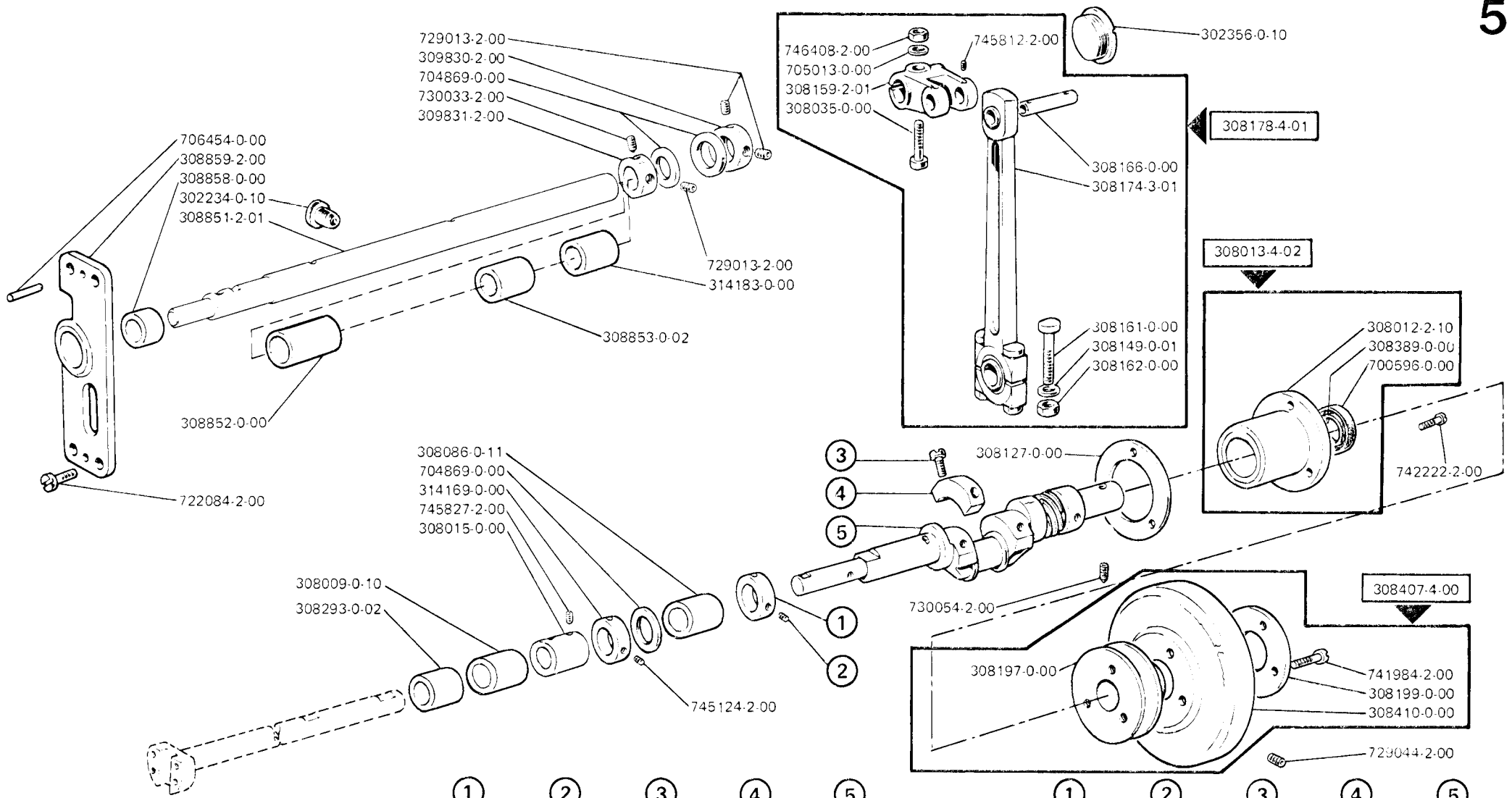


	①	②	③	④	⑤	⑥	⑦	⑧
264-12-1CD-02	309305-2-00	309250-0-00	---	309191-3-10	---	---	---	---
264-16-1CD-01	"	---	309232-0-00	309186-3-00	---	---	---	---
264-16-1MD-02	309307-2-00	309263-0-00	---	309191-3-10	744654-2-00	309261-0-10	300545-0-10	704216-2-00
264-16-1MD-03	"	309250-0-00	---	"	---	---	---	---
264-16-1MD-04	"	309263-0-00	---	"	744654-2-00	309261-0-10	300545-0-10	704216-2-00
264-16-1MD-05	"	"	---	"	"	309262-0-10	"	"
264-16-1MD-06	309305-2-00	"	---	309192-3-00	"	309261-0-10	"	"
264-16-1MD-07	"	"	---	"	"	"	"	"
264-16-1MD-14	309314-2-00	"	309232-0-00	309186-3-00	---	---	---	---

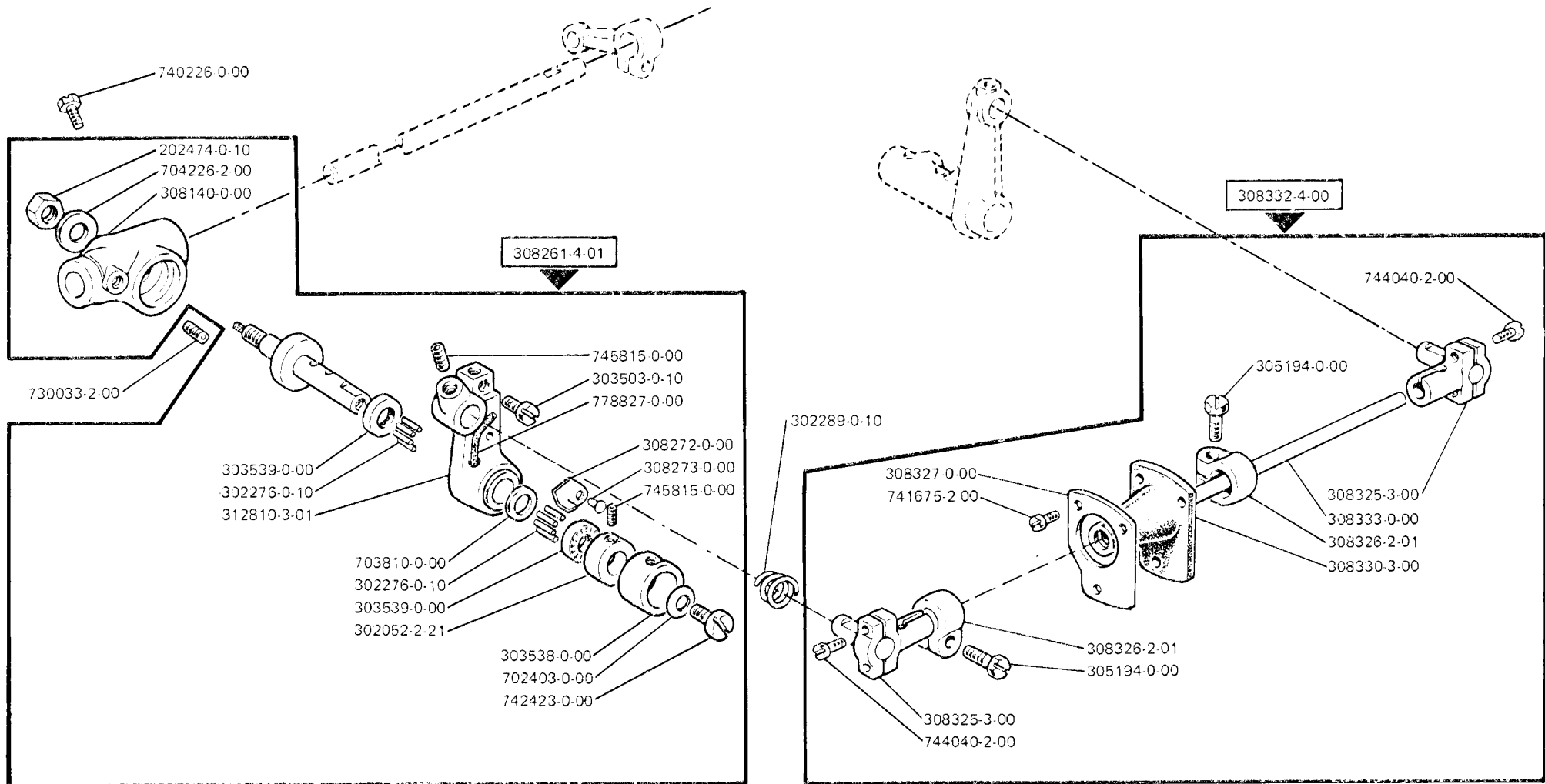


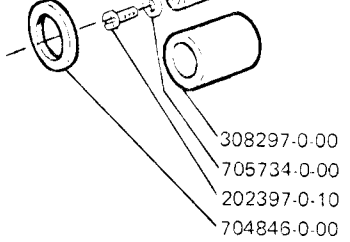
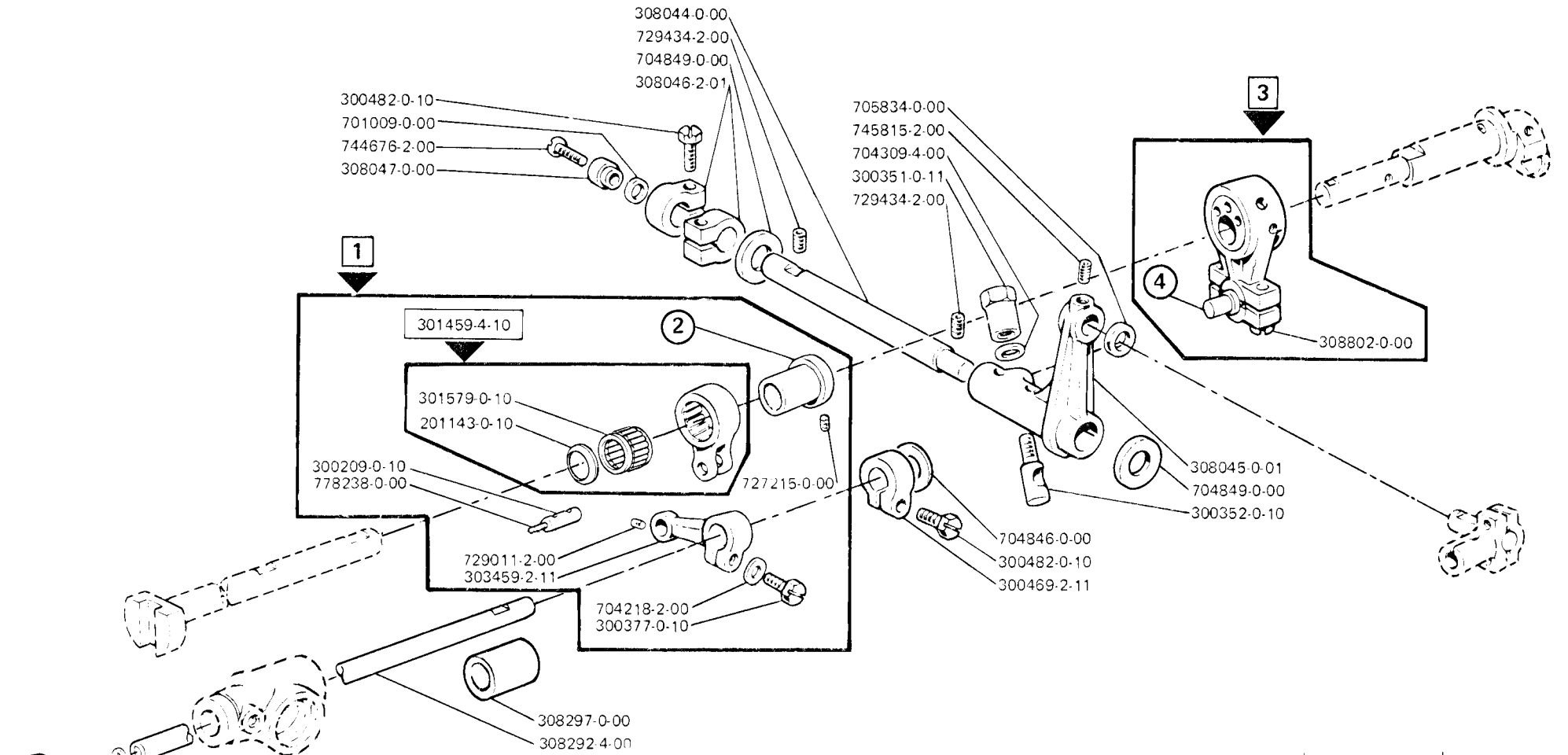


	①	②	③	④	⑤	⑥
264-00-1CA-08	308220-0-00	302590-4-10	302292-0-10	303397-4-10	303396-2-10	741532-2-00
264-00-1CA-18	"	"	"	"	"	"
264-00-1CA-19	"	"	"	"	"	"
264-00-1CA-23	"	"	"	"	"	"
264-00-1CD-09	"	"	"	"	"	"
264-00-1LA-39	"	303171-4-10	303174-0-10	303184-4-10	303183-2-10	745800-2-00
264-00-1MA-15	"	302590-4-10	302292-0-10	"	"	"
264-00-1MA-25	"	"	"	"	"	"
264-00-1MA-28	"	"	"	"	"	"
264-00-1MA-35	"	"	"	"	"	"
264-00-1MD-24	"	"	"	"	"	"
264-06-1CD-01	"	"	"	303397-4-10	303396-2-10	741532-2-00
264-10-1CA-02	"	"	"	"	"	"
264-10-1CA-03	"	"	"	"	"	"
264-12-1CA-04	"	"	"	"	"	"
264-12-1CD-02	"	"	"	"	"	"
264-16-1CD-01	"	"	"	"	"	"
264-16-1MD-02	"	"	"	303184-4-10	303183-2-10	745800-2-00
264-16-1MD-03	"	"	"	"	"	"
264-16-1MD-04	"	"	"	"	"	"
264-16-1MD-05	"	"	"	"	"	"
264-16-1MD-06	"	"	"	"	"	"
264-16-1MD-07	"	"	"	"	"	"
264-16-1MD-14	"	"	"	"	"	"
264-38-1LD-01	308222-0-00	303171-4-10	303174-0-10	"	"	"
264-38-1MD-14	308220-0-00	302590-4-10	302292-0-10	"	"	"

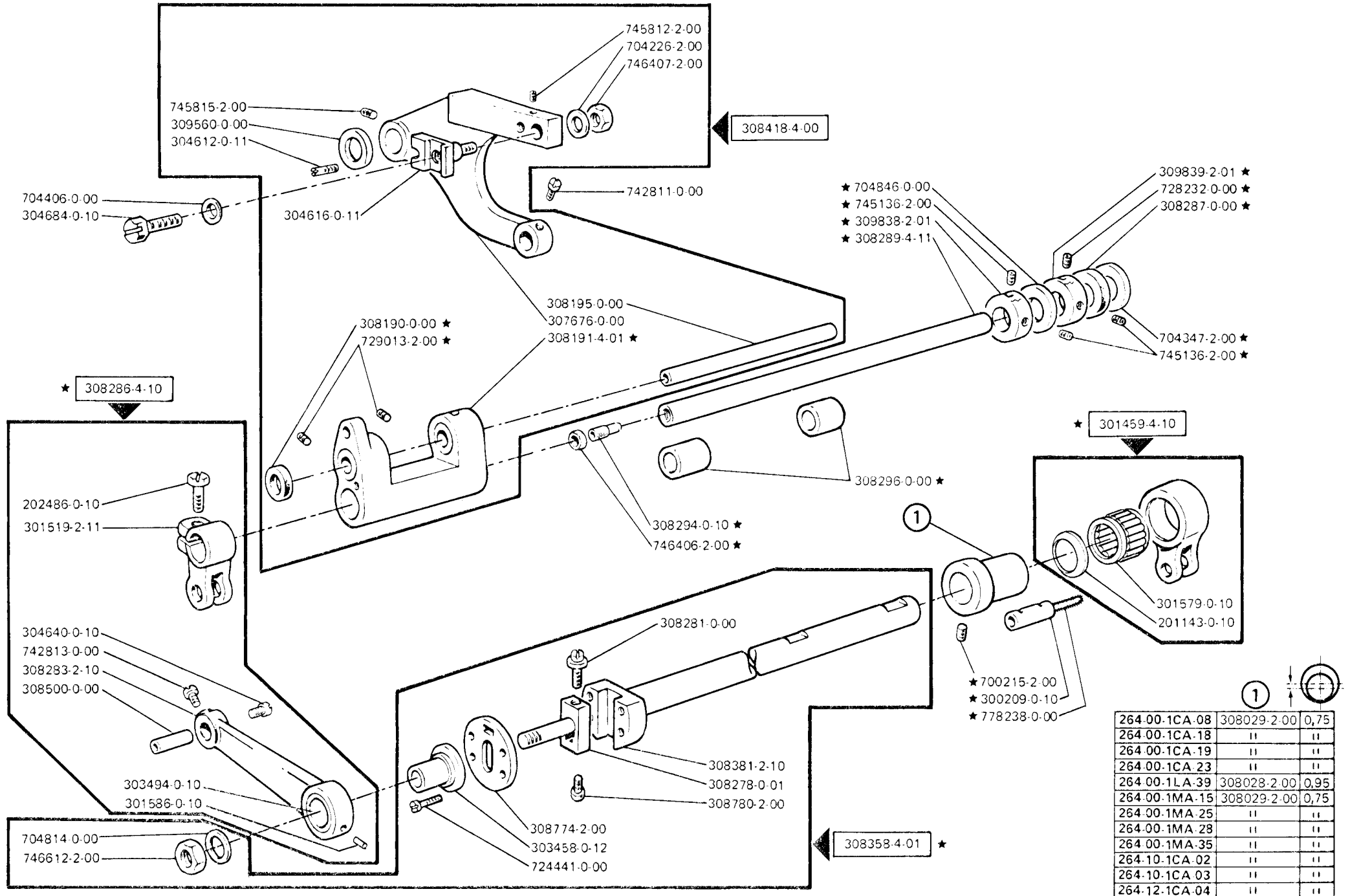


	①	②	③	④	⑤		①	②	③	④	⑤
264-00-1CA-08	—	—	741056-0-00	302272-0-10	308717-3-01	264-10-1CA-03	—	—	741056-0-00	302272-0-10	308717-3-01
264-00-1CA-18	—	—	—	—	—	264-12-1CA-04	—	—	—	—	—
264-00-1CA-19	—	—	—	—	—	264-12-1CD-02	—	—	—	—	—
264-00-1CA-23	—	—	—	—	—	264-16-1CD-01	—	—	—	—	—
264-00-1CD-09	—	—	—	—	—	264-16-1MD-02	314188-2-00	729013-2-00	741088-2-00	314168-0-00	314250-3-00
264-00-1LA-39	—	—	—	—	308716-3-01	264-16-1MD-03	—	—	—	—	—
264-00-1MA-15	314188-2-00	729013-2-00	741088-2-00	314168-0-00	314250-3-00	264-16-1MD-04	—	—	—	—	—
264-00-1MA-25	—	—	—	—	—	264-16-1MD-05	—	—	—	—	—
264-00-1MA-28	—	—	—	—	—	264-16-1MD-06	—	—	—	—	—
264-00-1MA-35	—	—	—	—	—	264-16-1MD-07	—	—	—	—	—
264-00-1MD-24	—	—	—	—	—	264-16-1MD-14	—	—	—	—	—
264-06-1CD-01	—	—	741056-0-00	302272-0-10	308717-3-01	264-38-1LD-01	—	—	741056-0-00	302272-0-10	308716-3-01
264-10-1CA-02	—	—	—	—	—	264-38-1MD-14	314188-2-00	729013-2-00	741088-2-00	314168-0-00	314250-3-00



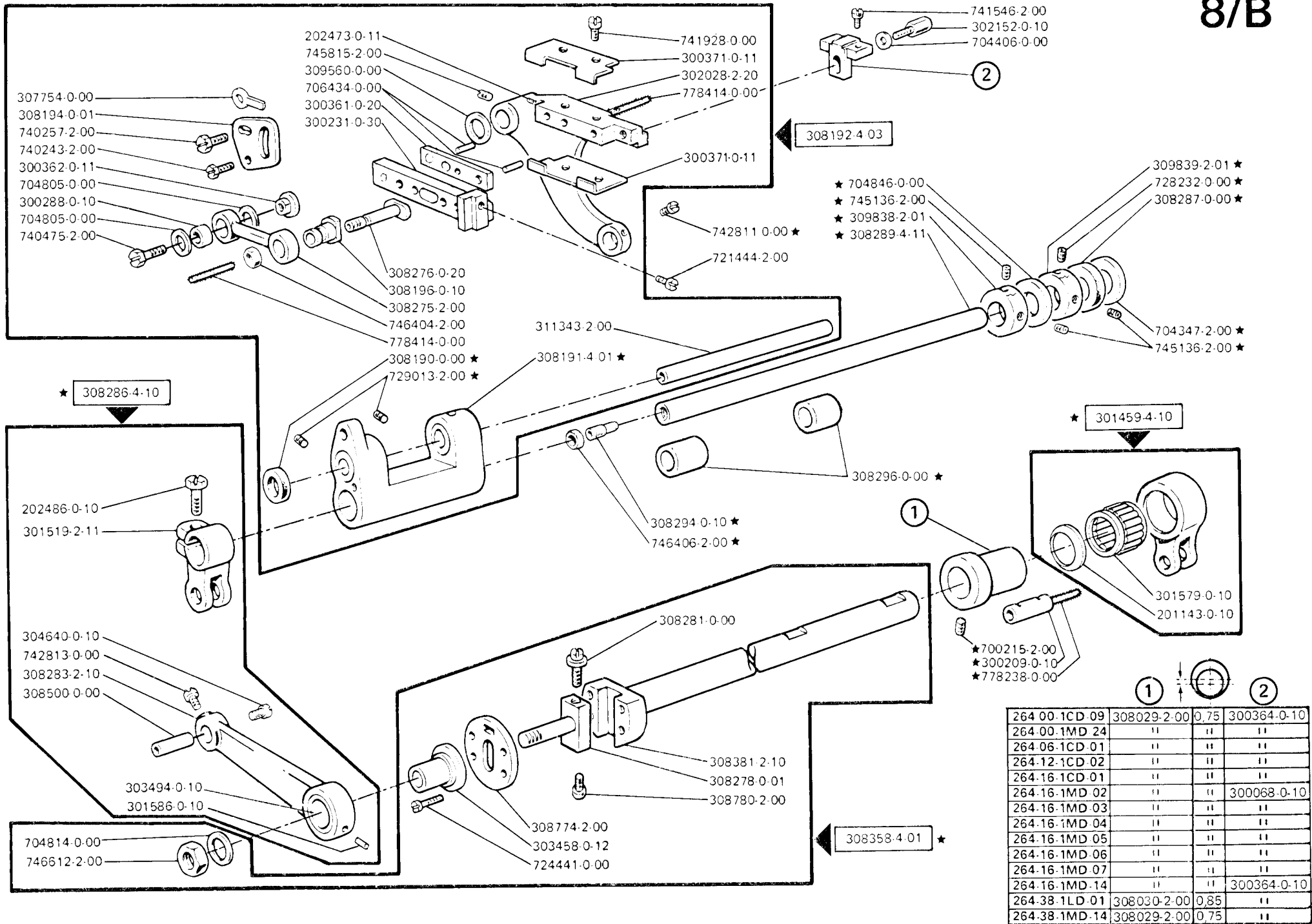


	1	2	3	4		1	2	3	4				
264-00-1CA-08	308340-4-00	308029-2-00	0,75	310350-4-00	2,5	308310-0-00	264-10-1CA-03	308340-4-00	308029-2-00	0,75	310350-4-00	2,5	308310-0-00
264-00-1CA-18	"	"	"	"	"	"	264-12-1CA-04	"	"	"	"	"	"
264-00-1CA-19	"	"	"	"	"	"	264-12-1CD-02	"	"	"	"	"	"
264-00-1CA-23	"	"	"	"	"	"	264-16-1CD-01	"	"	"	"	"	"
264-00-1CD-09	"	"	"	"	"	"	264-16-1MD-02	"	"	"	310354-4-00	3,9	308311-0-00
264-00-1LA-39	308341-4-00	308030-2-00	0,85	310355-4-00	2,9	"	264-16-1MD-03	"	"	"	"	"	"
264-00-1MA-15	308340-4-00	308029-2-00	0,75	310354-4-00	3,9	308311-0-00	264-16-1MD-04	"	"	"	"	"	"
264-00-1MA-25	"	"	"	"	"	"	264-16-1MD-05	"	"	"	"	"	"
264-00-1MA-28	"	"	"	"	"	"	264-16-1MD-06	"	"	"	"	"	"
264-00-1MA-35	"	"	"	"	"	"	264-16-1MD-07	"	"	"	"	"	"
264-00-1MD-24	"	"	"	"	"	"	264-16-1MD-14	"	"	"	"	"	"
264-06-1CD-01	"	"	"	310350-4-00	2,5	308310-0-00	264-38-1LD-01	308341-4-00	308030-2-00	0,85	310355-4-00	2,9	308310-0-00
264-10-1CA-02	"	"	"	"	"	"	264-38-1MD-14	308340-4-00	308029-2-00	0,75	310354-4-00	3,9	308311-0-00

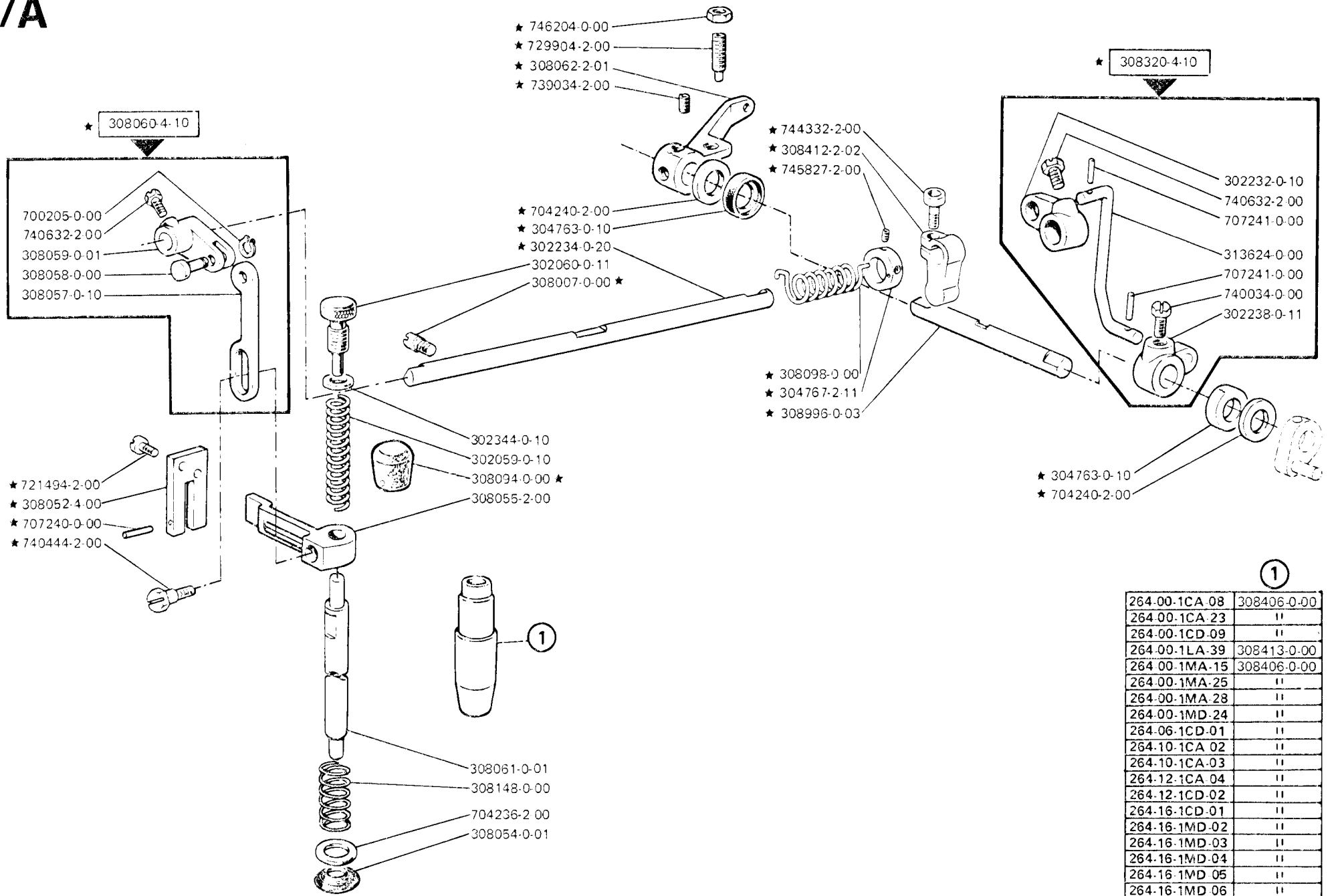


264.00.1CA.08	308029-2.00	0,75
264.00.1CA.18		
264.00.1CA.19		
264.00.1CA.23		
264.00.1LA.39	308028-2.00	0,95
264.00.1MA.15	308029-2.00	0,75
264.00.1MA.25		
264.00.1MA.28		
264.00.1MA.35		
264.10.1CA.02		
264.10.1CA.03		
264.12.1CA.04		





264-00-1CD-09	308029-2-00	0,75	300364-0-10
264-00-1MD-24	"	"	"
264-06-1CD-01	"	"	"
264-12-1CD-02	"	"	"
264-16-1CD-01	"	"	"
264-16-1MD-02	"	"	300068-0-10
264-16-1MD-03	"	"	"
264-16-1MD-04	"	"	"
264-16-1MD-05	"	"	"
264-16-1MD-06	"	"	"
264-16-1MD-07	"	"	"
264-16-1MD-14	"	"	300364-0-10
264-38-1LD-01	308030-2-00	0,85	"
264-38-1MD-14	308029-2-00	0,75	"



①

264-00-1CA-08	308406-0-00
264-00-1CA-23	''
264-00-1CD-09	''
264-00-1LA-39	308413-0-00
264-00-1MA-15	308406-0-00
264-00-1MA-25	''
264-00-1MA-28	''
264-00-1MD-24	''
264-06-1CD-01	''
264-10-1CA-02	''
264-10-1CA-03	''
264-12-1CA-04	''
264-12-1CD-02	''
264-16-1CD-01	''
264-16-1MD-02	''
264-16-1MD-03	''
264-16-1MD-04	''
264-16-1MD-05	''
264-16-1MD-06	''
264-16-1MD-07	''
264-16-1MD-14	''
264-38-1LD-01	308413-0-00
264-38-1MD-14	308406-0-00

★ 308320-4-10

★ 308060-4-10

- ★ 746204-0-00
- ★ 729904-2-00
- ★ 308062-2-01
- ★ 739034-2-00

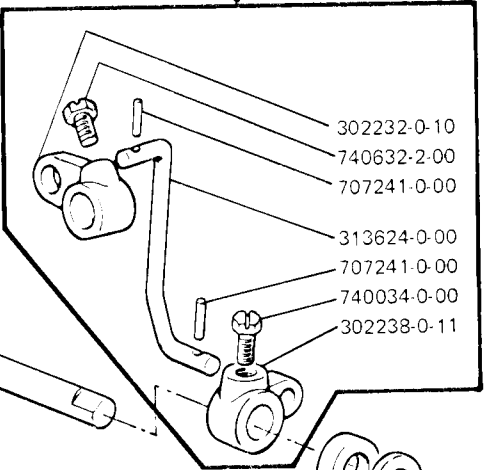
- ★ 744332-2-00
- ★ 308412-2-02
- ★ 745827-2-00

- ★ 704240-2-00
- ★ 304763-0-10
- ★ 302234-0-20

- 309614-0-00
- 308007-0-00 ★

- ★ 308098-0-00
- ★ 304767-2-11
- ★ 308996-0-03

- 700205-0-00
- 740632-2-00
- 308059-0-01
- 308058-0-00
- 308057-0-10



- 302232-0-10
- 740632-2-00
- 707241-0-00
- 313624-0-00
- 707241-0-00
- 740034-0-00
- 302238-0-11

- ★ 304763-0-10
- ★ 704240-2-00

- ★ 721494-2-00
- ★ 308052-4-00
- ★ 707240-0-00
- ★ 740444-2-00

- 308094-0-00 ★

- 309616-2-00
- 200713-0-10
- 703810-0-00
- 309610-0-00

- 308054-0-01
- 309608-0-00

- 700211-0-00

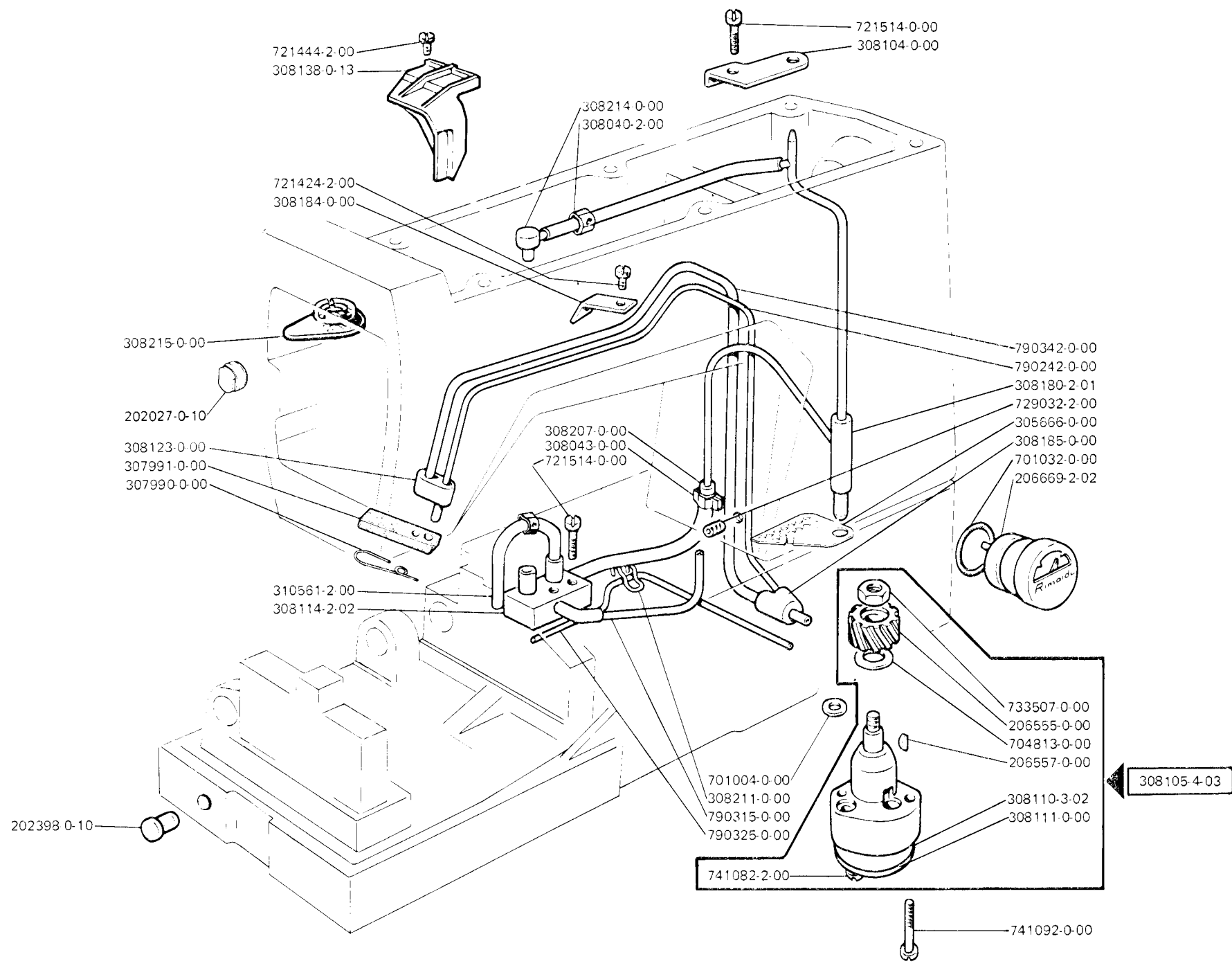
- 302059-0-10

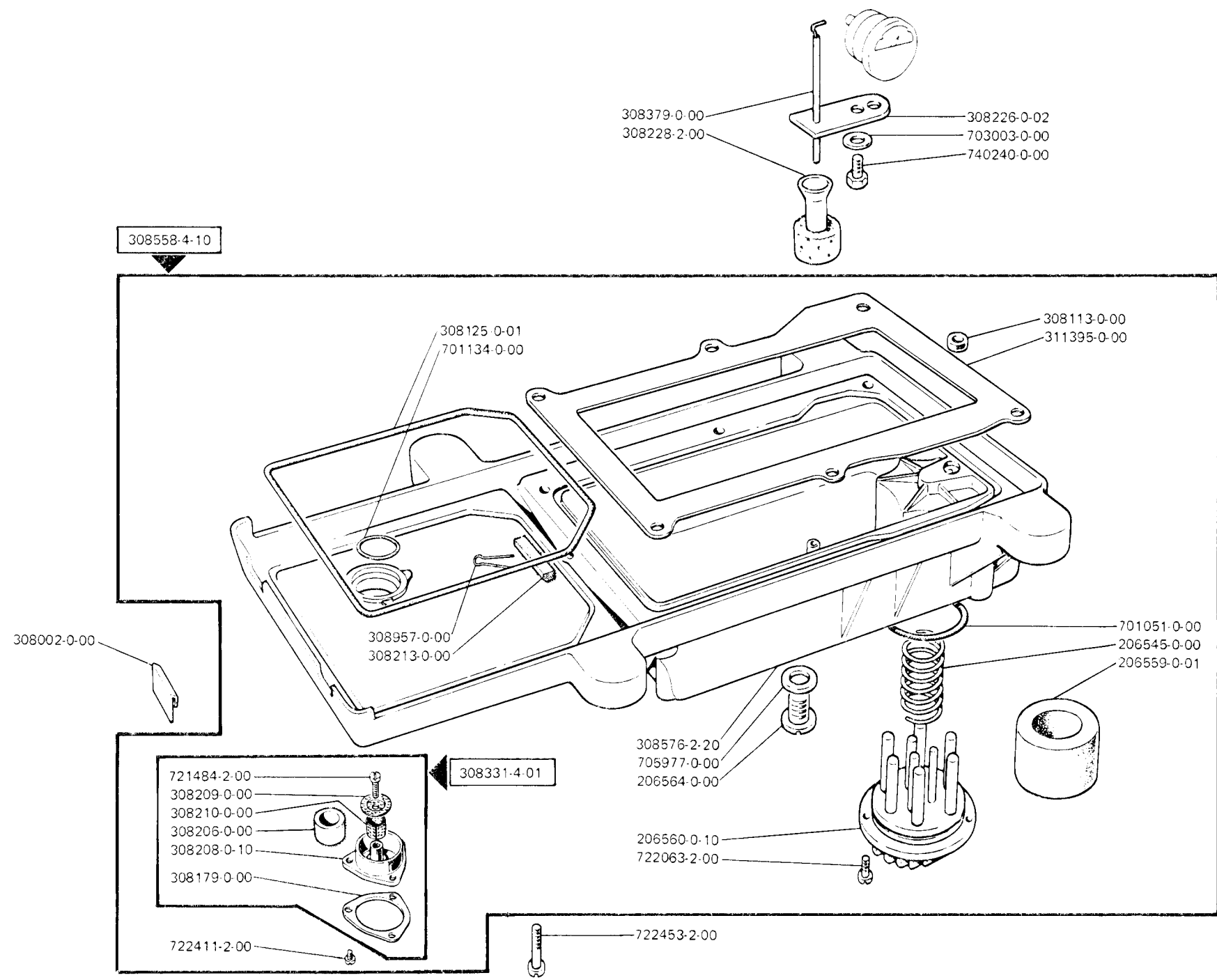
- 309612-0-00

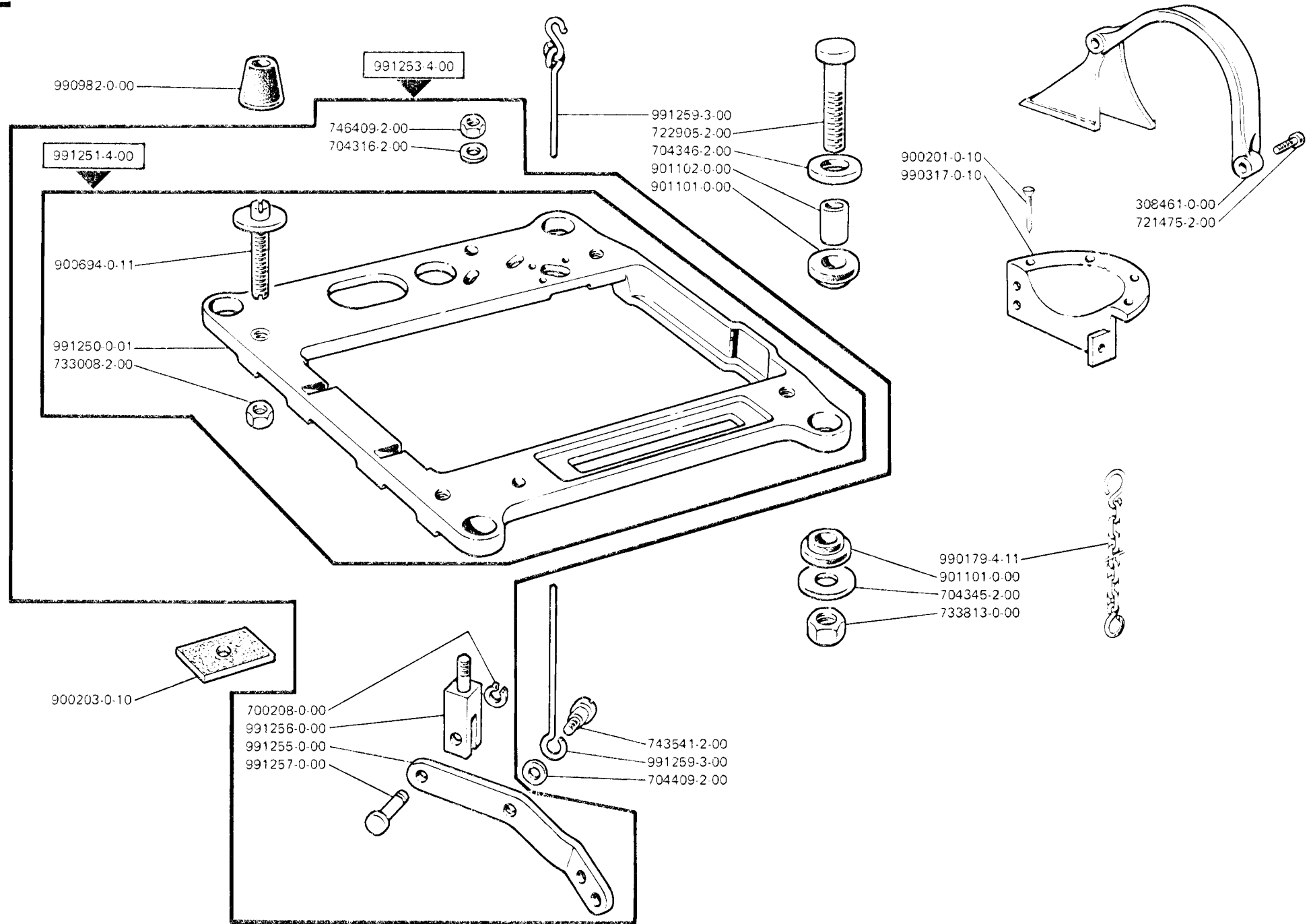
- 309609-0-00

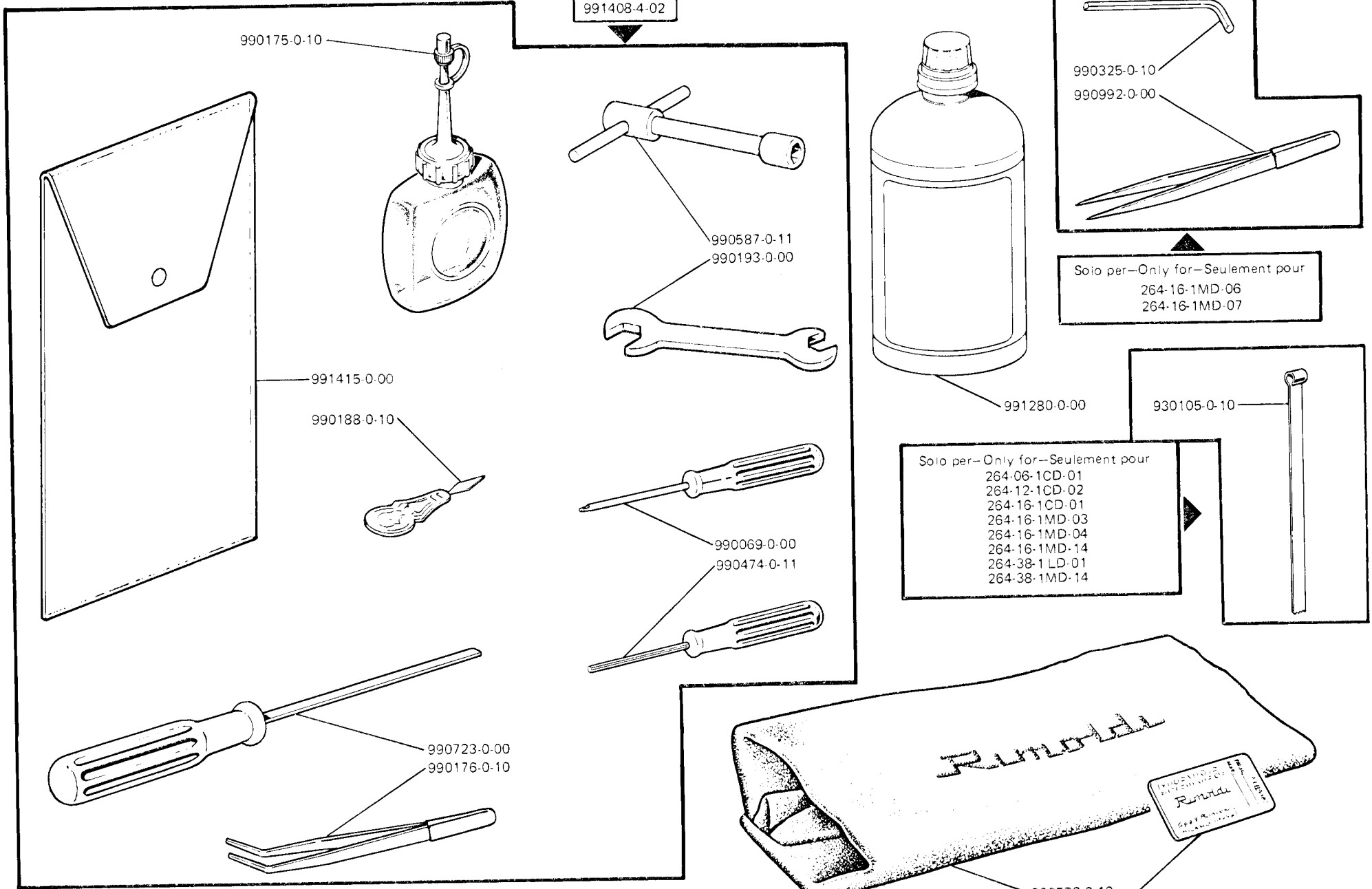
- 309611-0-00

264-00-1CA-18
264-00-1CA-19
264-00 1MA-35









990175-0-10

991408-4-02

990587-0-11  
990193-0-00

990325-0-10  
990992-0-00

Solo per—Only for—Seulement pour  
264-16-1MD-06  
264-16-1MD-07

991415-0-00

990188-0-10

991280-0-00

930105-0-10

Solo per—Only for—Seulement pour  
264-06-1CD-01  
264-12-1CD-02  
264-16-1CD-01  
264-16-1MD-03  
264-16-1MD-04  
264-16-1MD-14  
264-38-1LD-01  
264-38-1MD-14

990069-0-00  
990474-0-11

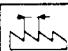





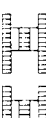

990723-0-00  
990176-0-10

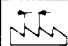


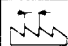






990578-0-13

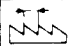
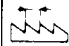





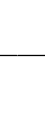





★ per l'ordinazione della bustina citare lo stesso simbolo dell'ago montato sulla testa. ★ to order packet of needles please specify symbol of needle fitted on machine. ★ pour commander un sachet d'aiguille donner le symbol de l'aiguille montee sur la tete.



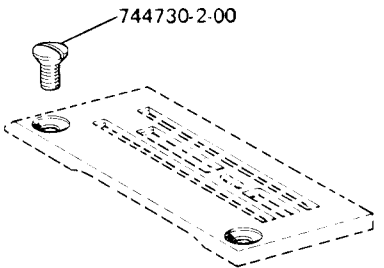
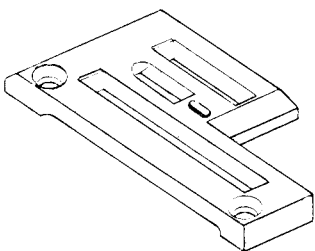
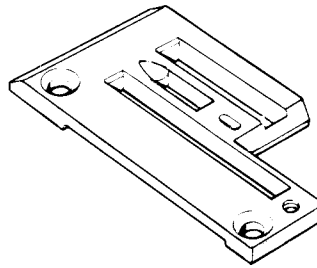
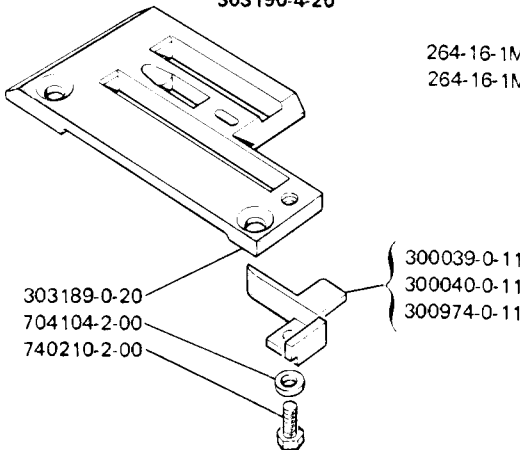
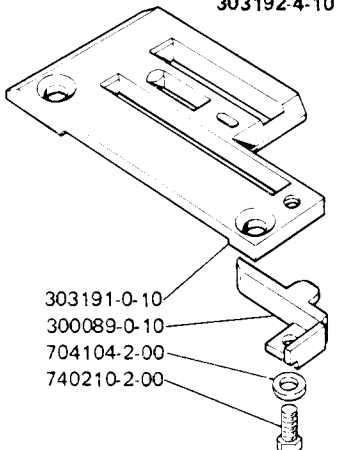
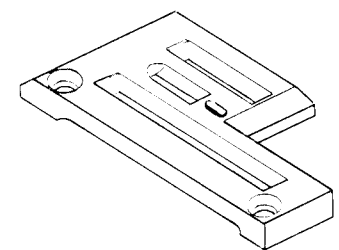
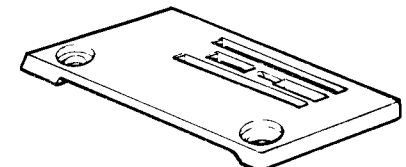
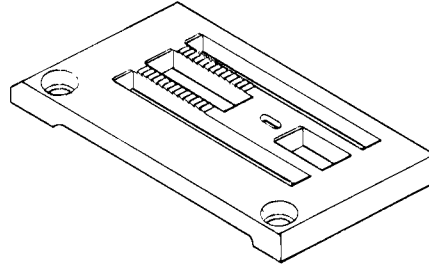
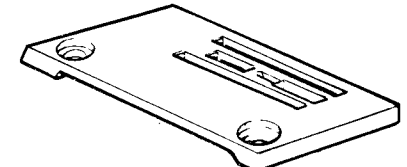


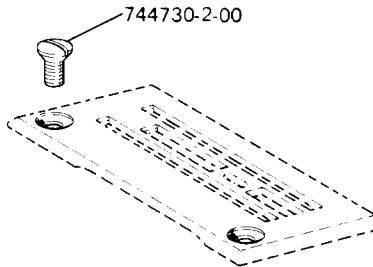
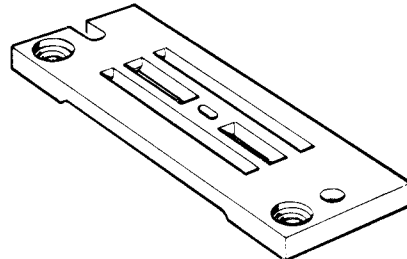
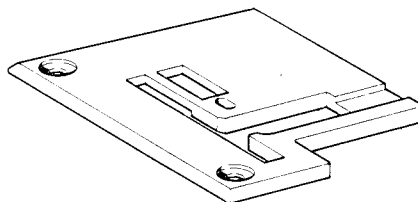
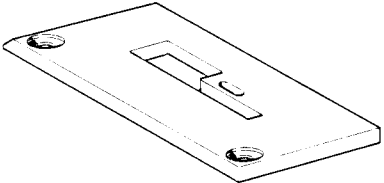
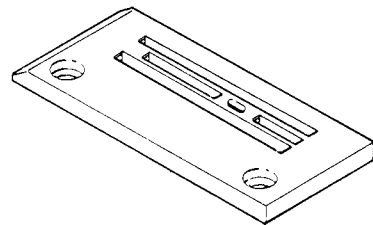
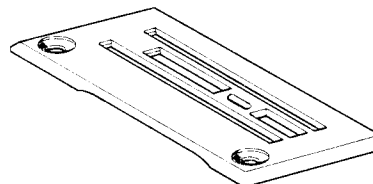
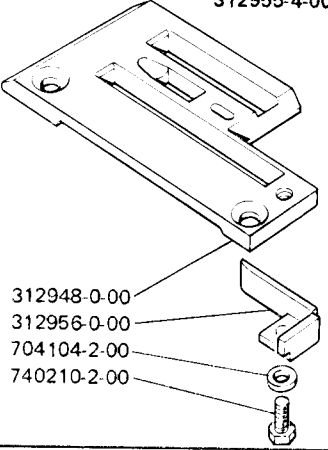
ORGANI DI CUCITURA – SEWING PARTS – ORGANES DE COUTURE										
R = a richiesta – on request – sur demande										
TESTA HEAD TETE	PLACCA AGO NEEDLE PLATE PLAQUE A AIGUILLE	GRIFFA PRINC. MAIN FEED DOG GRIFFE PRINC.	GRIFFA DIFF. DIFF. FEED DOG GRIFFE DIFF.			PIEDINO PRESSER FOOT PIED PRESSEUR	CROCHET COOPER CROCHET	AGO NEEDLE AIGUILLE		
264-00-1CA-08	303507-0-11	303484-0-10	1,5				306661-3-00 303431-3-11 303770-3-11 303777-3-01 303780-3-01 303783-3-01 303786-3-01 304952-3-01 309440-3-00	R R R R R R R R	303419-0-12	766200-1-80
264-00-1CA-18	309619-0-01	309620-0-00	1,5				309607-3-00		303419-0-12	766200-1-80
264-00-1CA-19	309624-0-00	309620-0-00	1,5				309615-3-00		303419-0-12	766200-1-70
264-00-1CA-23	303934-0-10	303933-0-12	3				306663-3-02 305481-3-11	R	303419-0-12	766200-1-11
264-00-1CD-09	303507-0-11	303713-0-12	1,5	300846-0-11	1,5		306661-3-00 300853-3-12 303431-3-11 303770-3-11 303777-3-01 303780-3-01 303783-3-01 303786-3-01 304952-3-01 309440-3-00	R R R R R R R R R	303419-0-12	766200-1-90
264-00-1LA-39	307153-0-01	307152-0-01	2,5				306663-3-02 307146-3-01	R	307151-0-02	960460-1-12

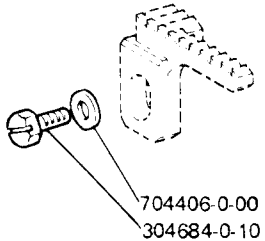
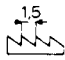
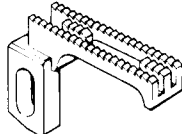

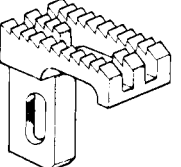

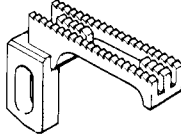
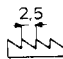
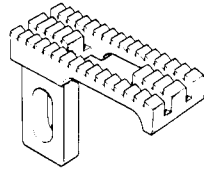

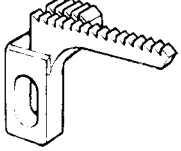
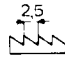
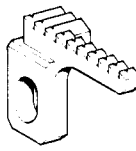
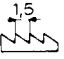
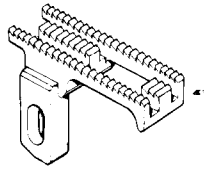
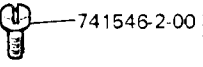


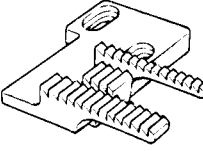
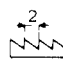
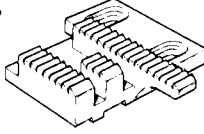
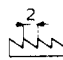
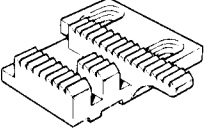

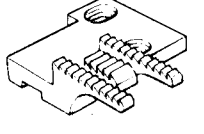
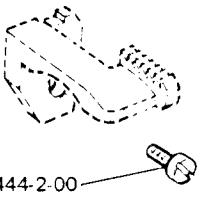

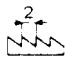
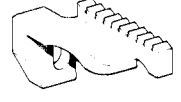

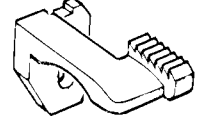
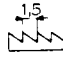
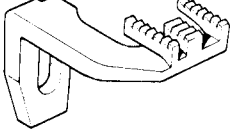
ORGANI DI CUCITURA – SEWING PARTS – ORGANES DE COUTURE											
R = a richiesta – on request – sur demande											
TESTA HEAD TETE	PLACCA AGO NEEDLE PLATE PLAQUE A AIGUILLE	GRIFFA PRINC. MAIN FEED DOG GRIFFE PRINC.	GRIFFA DIFF. DIFF. FEED DOG GRIFFE DIFF.				PIEDINO PRESSER FOOT PIED PRESSEUR	CROCHET COOPER CROCHET	AGO NEEDLE AIGUILLE		
264-00-1MA-15	308819-0-00	308820-0-00	2,5				308821-3-00 308800-3-00	R	302057-0-13	766000-1-90	
264-00-1MA-25	303507-0-11	303484-0-10	1,5				306661-3-00 303431-3-11 303770-3-11 303777-3-01 303780-3-01 303783-3-01 303786-3-01 304952-3-01 309440-3-00	R R R R R R R	302057-0-13	766000-1-90	
264-00-1MA-28	305436-0-10	305435-0-10	1,2,6				306711-3-01 305385-3-10	R	303650-4-01	766000-1-90	
264-00-1MA-35	309619-0-01	309620-0-00	1,5				309607-3-00		302057-0-13	766000-1-80	
264-00-1MD-24	303507-0-11	303713-0-12	1,5		300846-0-11	1,5	306661-3-00 303431-3-11 303770-3-11 303777-3-01 303780-3-01 303783-3-01 303786-3-01 304952-3-01 309440-3-00	R R R R R R R	302057-0-13	766000-1-90	
264-06-1CD-01	303507-0-11	303713-0-12	1,5		300846-0-11	1,5	309519-3-00		303419-0-12	766200-1-70	
264-10-1CA-02	303507-0-11	303484-0-10	1,5				306653-3-00		303419-0-12	766200-1-80	

ORGANI DI CUCITURA – SEWING PARTS – ORGANES DE COUTURE										
R = a richiesta – on request – sur demande										
TESTA HEAD TETE	PLACCA AGO NEEDLE PLATE PLAQUE A AIGUILLE	GRIFFA PRINC. MAIN FEED DOG GRIFFE PRINC.	GRIFFA DIFF. DIFF. FEED DOG GRIFFE DIFF.				PIEDINO PRESSER FOOT PIED PRESSEUR	CROCHET COOPER CROCHET	AGO NEEDLE AIGUILLE	
264-10-1CA-03	303507-0-11	303484-0-10	1,5				306661-3-00 303770-3-11	R	303419-0-12	766200-1-80
264-12-1CA-04	308725-0-00	308708-0-00	1,5				306651-3-01		303419-0-12	766200-1-90
264-12-1CD-02	303188-0-10 303288-0-10	300020-0-10	1,5	300104-0-11	1,5		306660-3-01 306692-3-02	R	303419-0-12	766200-1-80
264-16-1CD-01	303188-0-10	300020-0-10	1,5	300104-0-11	1,5		306600-3-02		303419-0-12	766200-1-80
264-16-1MD-02	303190-4-20	300034-0-20	2	300037-0-11	2		306601-3-01 306696-3-02	R	302057-0-13 302734-0-00	R 766000-1-90
264-16-1MD-03	303189-0-20	300034-0-20	2	300037-0-11	2		306603-3-02		302057-0-13	766000-1-10
264-16-1MD-04	303190-4-20	300034-0-20	2	300037-0-11	2		306601-3-01 306602-3-01 306696-3-02	R	302057-0-13 302734-0-00	R 766000-1-10
264-16-1MD-05	303192-4-10	300035-0-11	2	300037-0-11	2		306603-3-02		302057-0-13 302734-0-00	R 766000-1-10
264-16-1MD-06	312955-4-00	300034-0-20	2	300037-0-11	2		312959-3-00		302057-0-13 302734-0-00	R 766000-1-10
264-16-1MD-07	312955-4-00	300034-0-20	2	300037-0-11	2		312959-3-00		302057-0-13 302734-0-00	R 766000-1-10



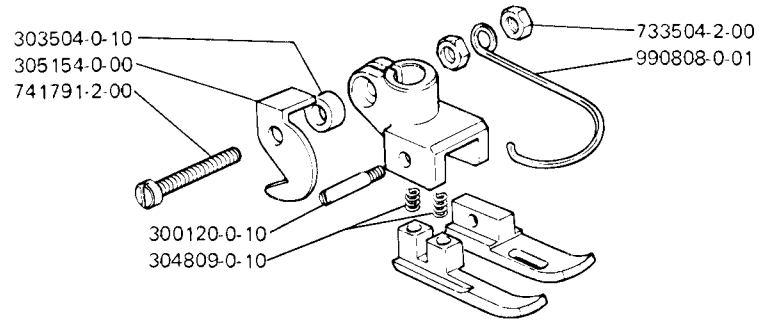
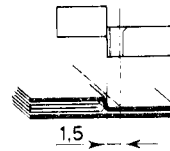
 <p>744730-2-00</p>	<p><b>303188-0-10</b></p> <p>264-12-1CD-02 264-16-1CD-01 264-16-1MD-14</p> 	<p><b>303189-0-20</b></p> <p>264-16-1MD-03</p> 
<p><b>303190-4-20</b></p> <p>264-16-1MD-02 264-16-1MD-04</p>  <p>303189-0-20 704104-2-00 740210-2-00</p> <p>300039-0-11 300040-0-11 300974-0-11</p>	<p><b>303192-4-10</b></p> <p>264-16-1MD-05</p>  <p>303191-0-10 300089-0-10 704104-2-00 740210-2-00</p>	<p><b>303288-0-10</b></p> <p>264-12-1CD-02 264-16-1MD-14</p> 
<p><b>303507-0-11</b></p> <p>264-00-1CA-08 264-00-1CD-09 264-00-1MA-25 264-00-1MD-24 264-06-1CD-01 264-10-1CA-02 264-10-1CA-03 264-38-1LD-01 264-38-1MD-14</p> 	<p><b>303934-0-10</b></p> <p>264-00-1CA-23</p> 	<p><b>305436-0-10</b></p> <p>264-00-1MA-28</p> 

 <p>744730-2-00</p>	<p>307153-0-01</p> <p>264-00-1LA-39</p> 	<p>308725-0-00</p> <p>264-12-1CA-04</p> 
<p>308819-0-00</p> <p>264-00-1MA-15</p> 	<p>309619-0-01</p> <p>264-00-1CA-18 264-00-1MA-35</p> 	<p>309624-0-00</p> <p>264-00-1CA-19</p> 
<p>312955-4-00</p> <p>264-16-1MD-06 264-16-1MD-07</p>  <p>312948-0-00 312956-0-00 704104-2-00 740210-2-00</p>		

 <p>704406-0-00 304684-0-10</p>	<p>303484-0-10 </p> <p>264-00-1CA-08 264-00-1MA-25 264-10-1CA-02 264-10-1CA-03</p> 	<p>303933-0-12 </p> <p>264-00-1CA-23</p> 	<p>305435-0-10 </p> <p>264-00-1MA-28</p> 	
<p>307152-0-01 </p> <p>264-00-1LA-39</p> 	<p>308708-0-00 </p> <p>264-12-1CA-04</p> 	<p>308820-0-00 </p> <p>264-00-1MA-15</p> 	<p>309620-0-00 </p> <p>264-00-1CA-18 264-00-1CA-19 264-00-1MA-35</p> 	
 <p>741546-2-00</p> 	<p>300020-0-10 </p> <p>264-12-1CD-02 264-16-1CD-01 264-16-1MD-14</p> 	<p>300034-0-20 </p> <p>264-16-1MD-02 264-16-1MD-03 264-16-1MD-04 264-16-1MD-06 264-16-1MD-07</p> 	<p>300035-0-11 </p> <p>264-16-1MD-05</p> 	<p>303713-0-12 </p> <p>264-00-1CD-09 264-00-1MD-24 264-06-1CD-01 264-38-1LD-01 264-38-1MD-14</p> 
 <p>721444-2-00</p> 	<p>300037-0-11 </p> <p>264-16-1MD-02 264-16-1MD-03 264-16-1MD-04 264-16-1MD-05 264-16-1MD-06 264-16-1MD-07</p> 	<p>300104-0-11 </p> <p>264-12-1CD-02 264-16-1CD-01 264-16-1MD-14</p> 	<p>300846-0-11 </p> <p>264-00-1CD-09 264-00-1MD-24 264-06-1CD-01 264-38-1LD-01 264-38-1MD-14</p> 	

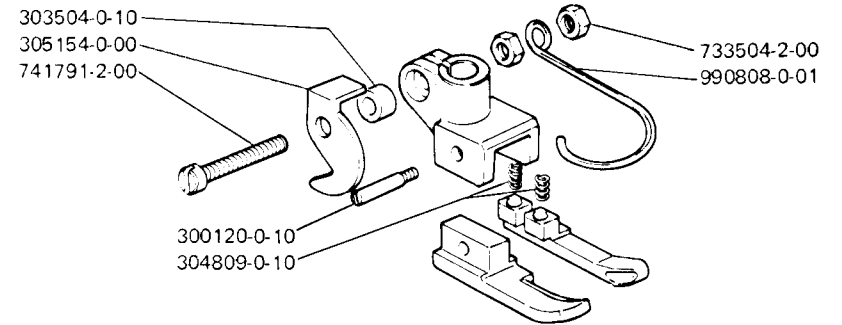
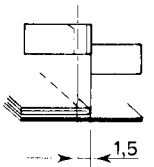
303780-3-01

264-00-1CA-08  
264-00-1CD-09  
264-00-1MA-25  
264-00-1MD-24



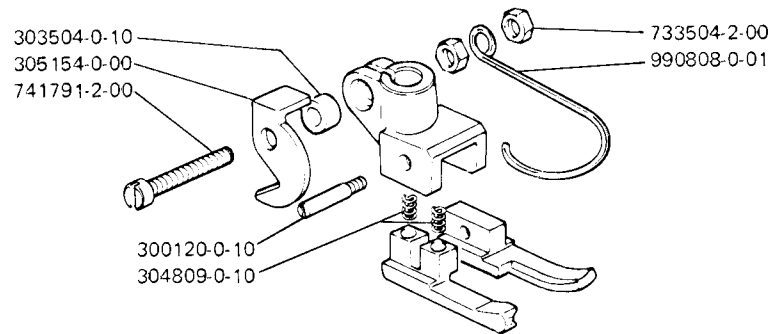
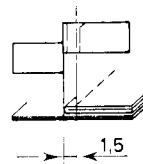
303783-3-01

264-00-1CA-08  
264-00-1CD-09  
264-00-1MA-25  
264-00-1MD-24



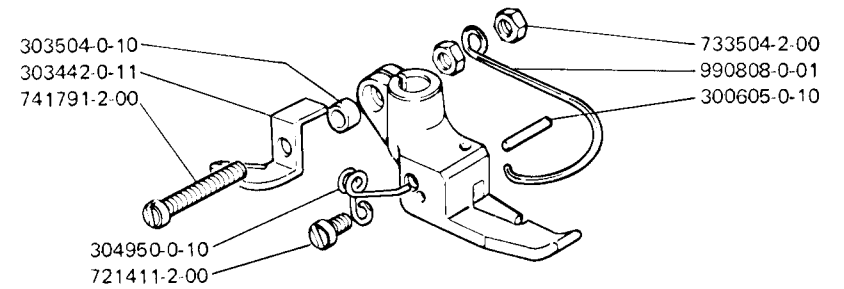
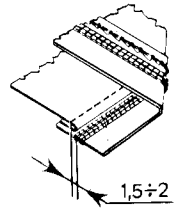
303786-3-01

264-00-1CA-08  
264-00-1CD-09  
264-00-1MA-25  
264-00-1MD-24

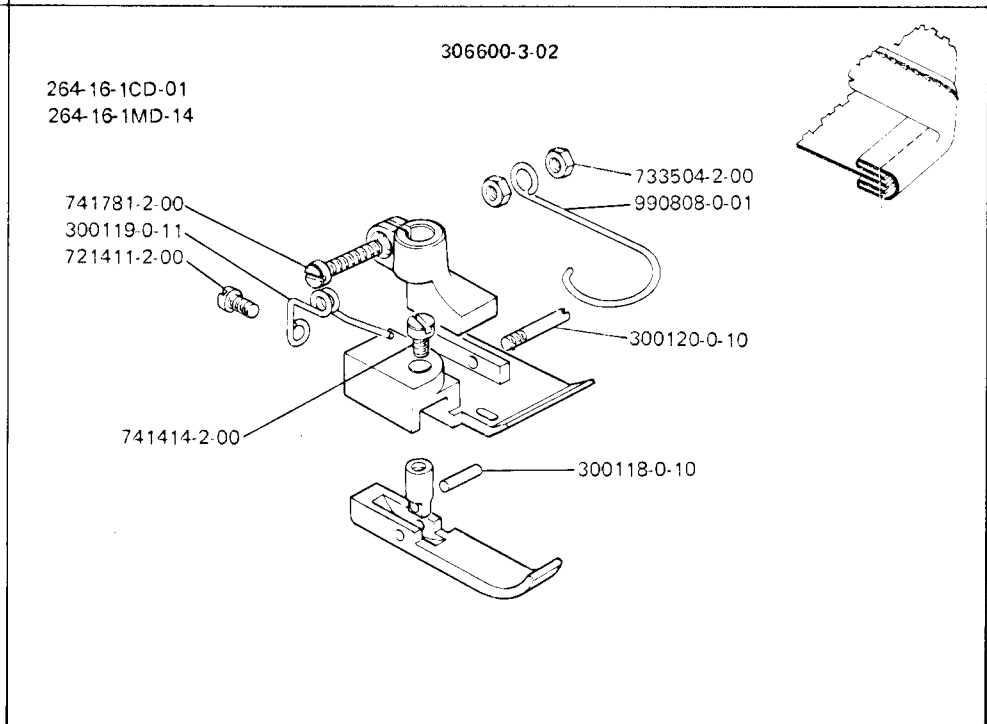
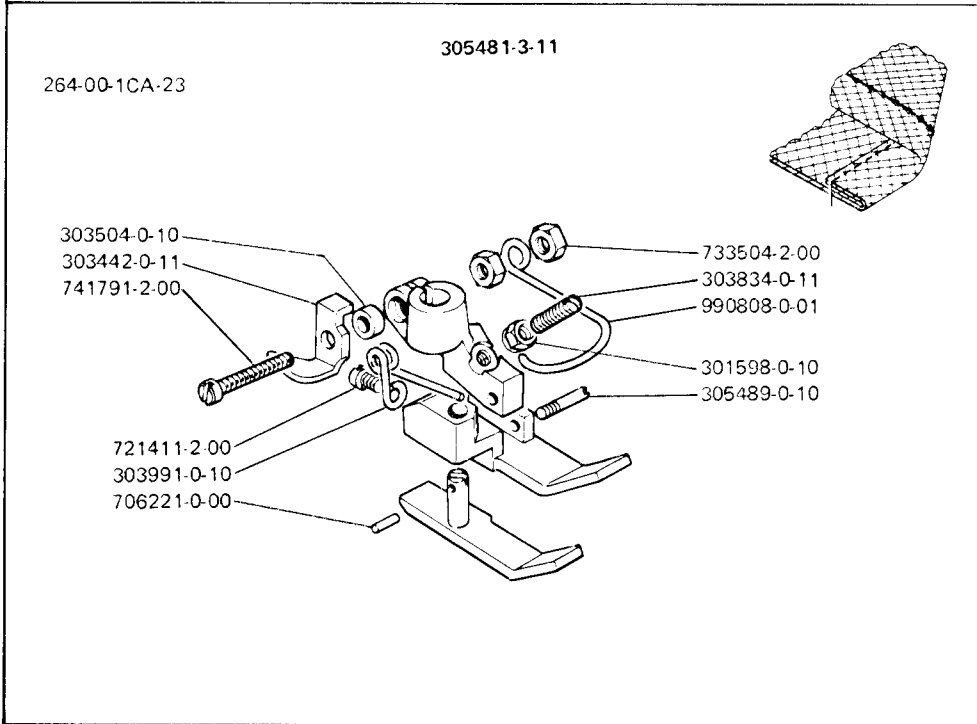
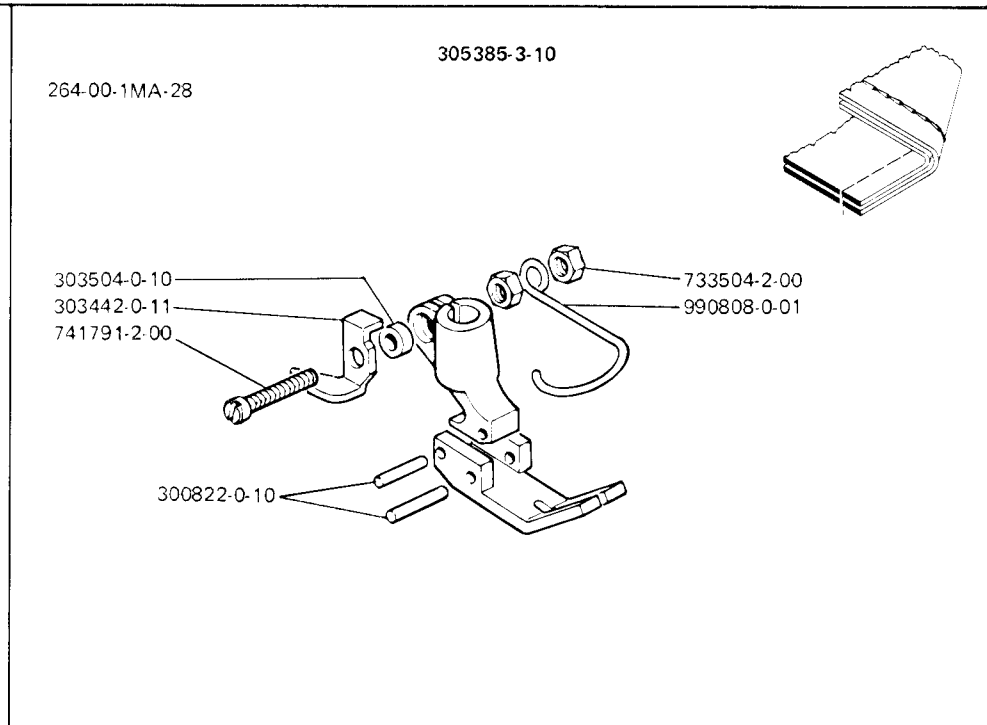
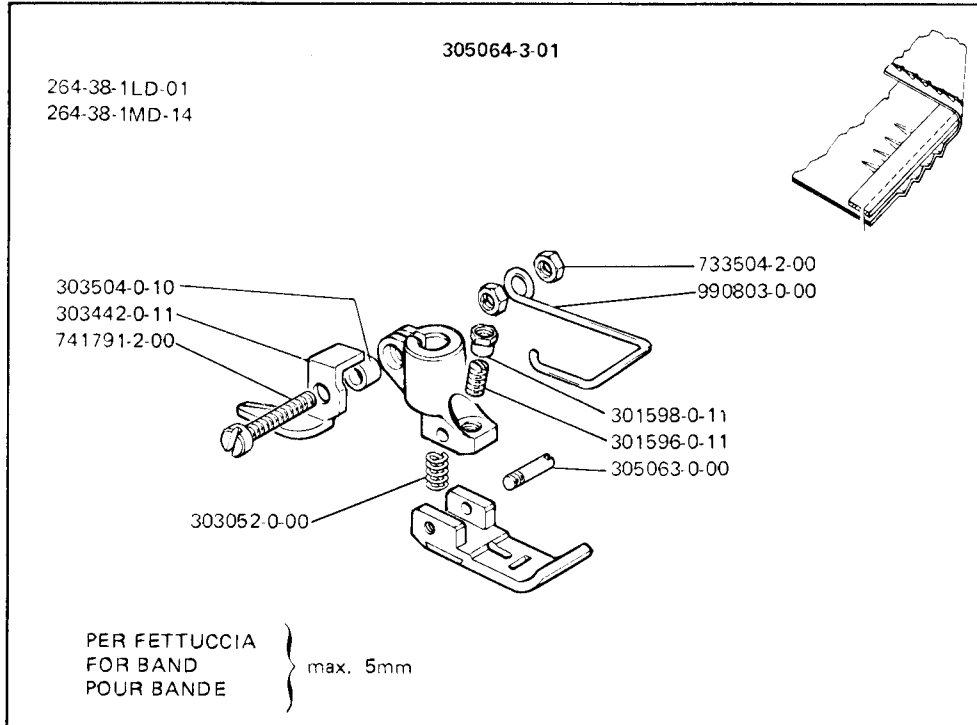


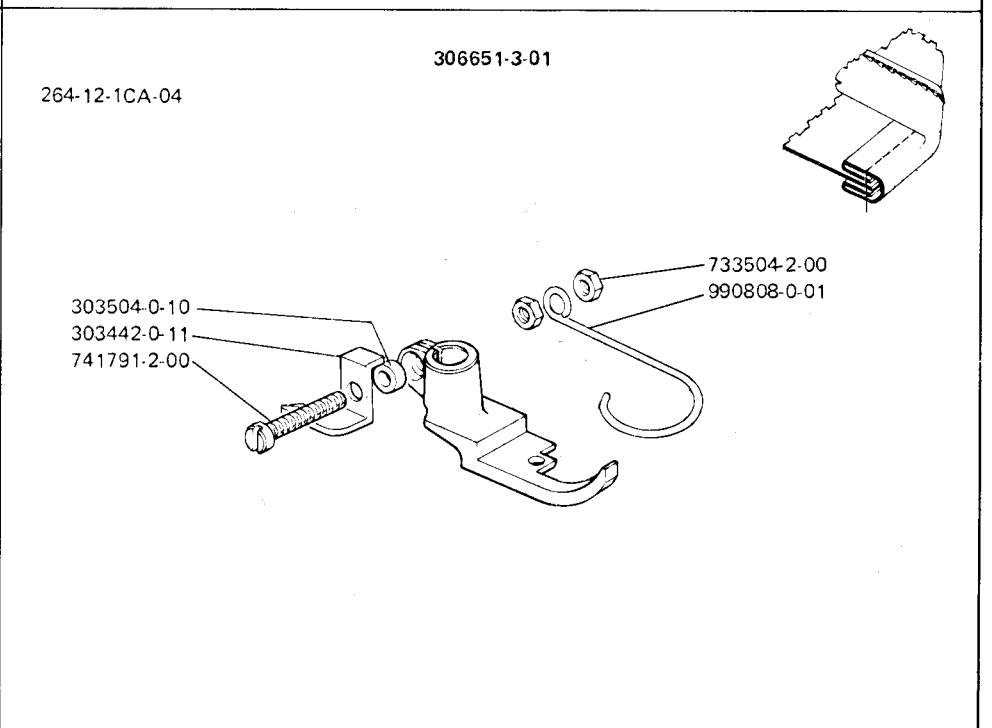
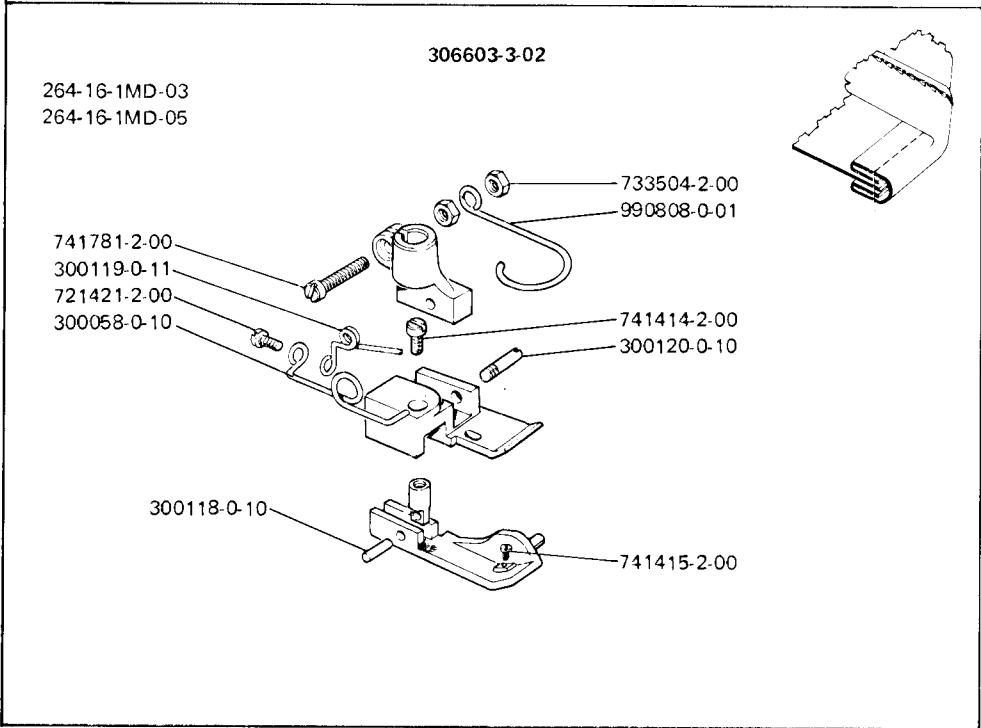
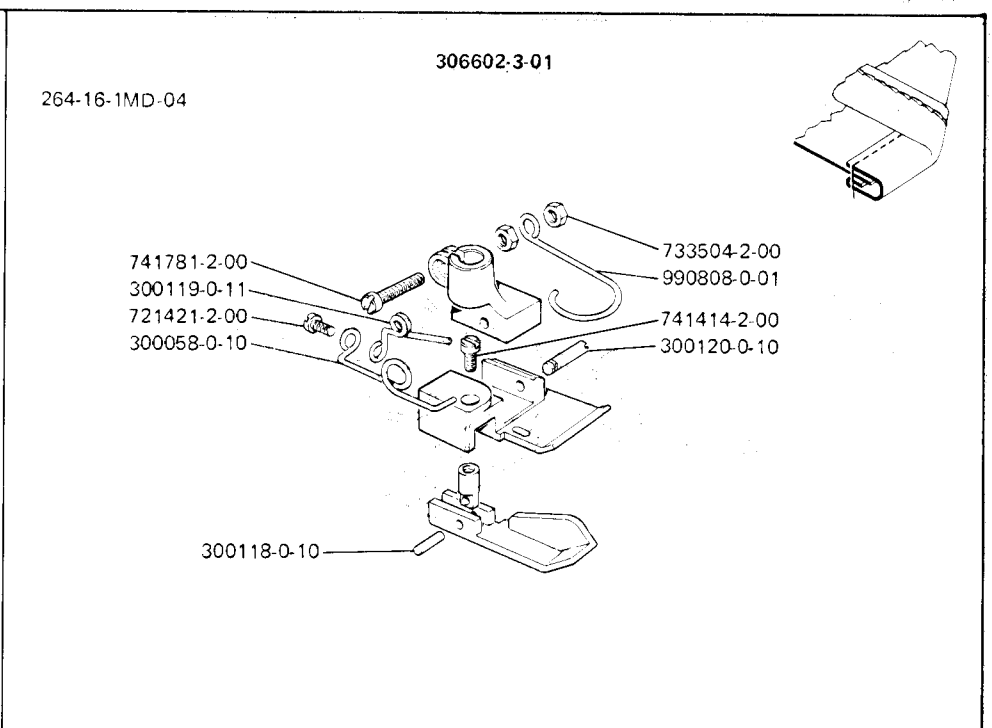
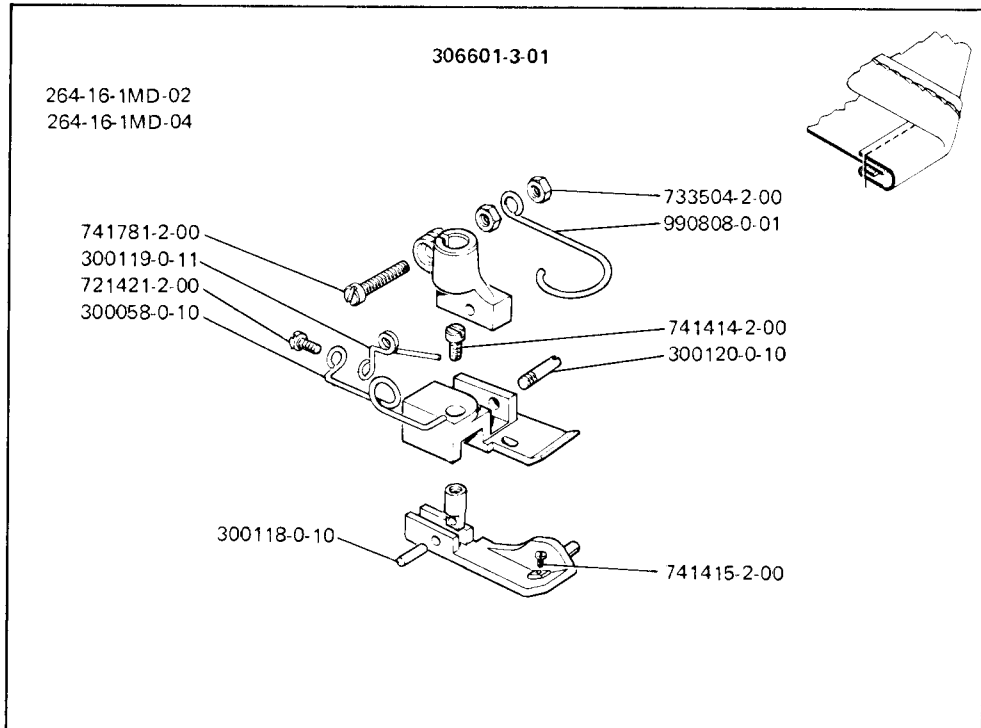
304952-3-01

264-00-1CA-08  
264-00-1CD-09  
264-00-1MA-25  
264-00-1MD-24



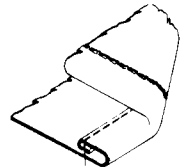
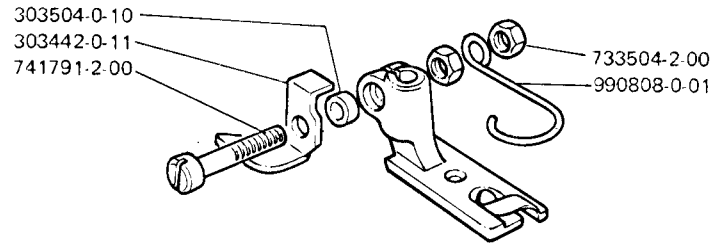






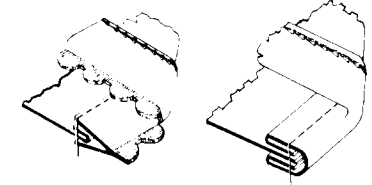
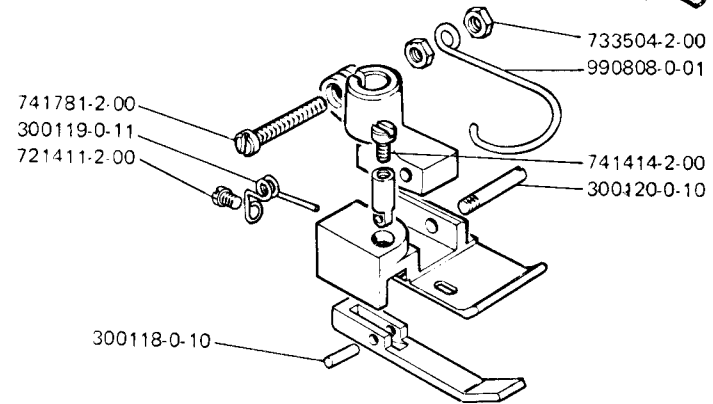
264-10-1CA-02

306653-3-00



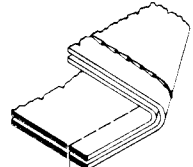
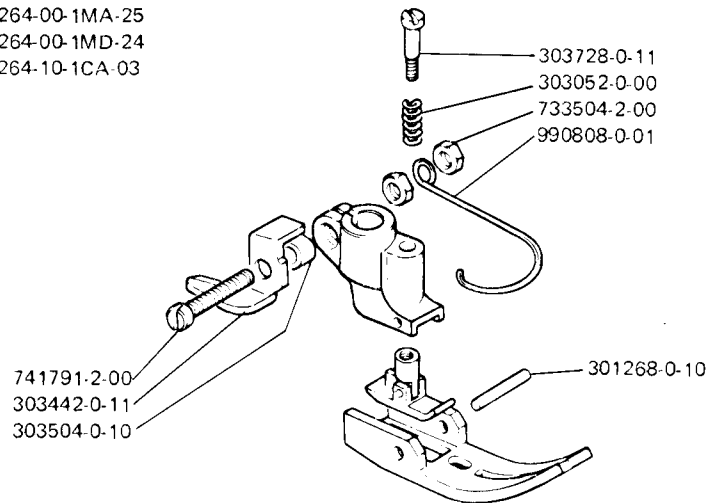
264-12-1CD-02

306660-3-01



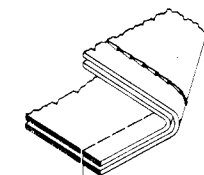
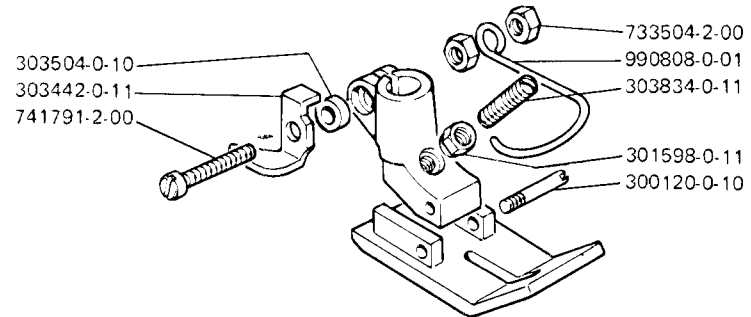
264-00-1CA-08  
264-00-1CD-09  
264-00-1MA-25  
264-00-1MD-24  
264-10-1CA-03

306661-3-00



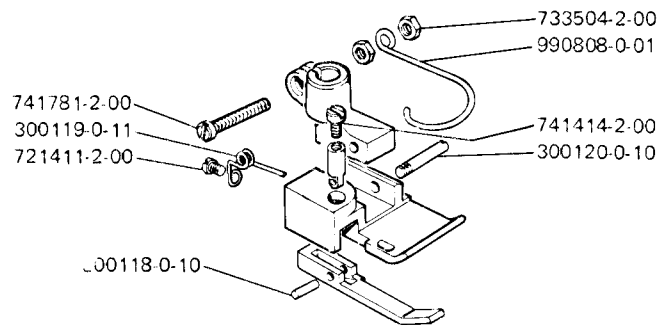
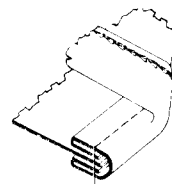
264-00-1CA-23  
264-00-1LA-39

306663-3-02



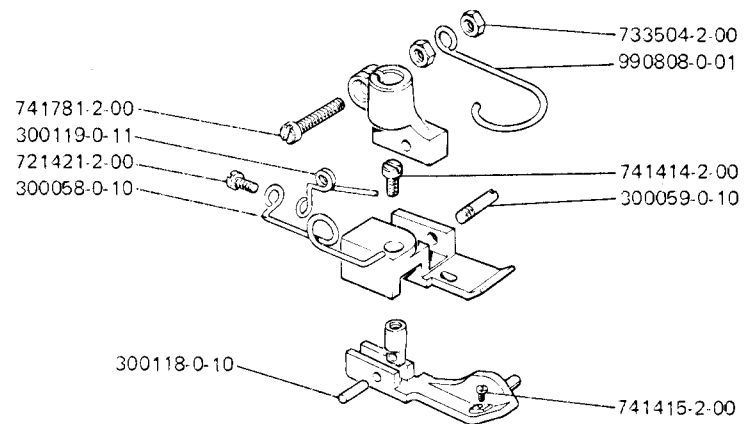
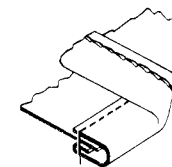
264-12-1CD-02

306692-3-02



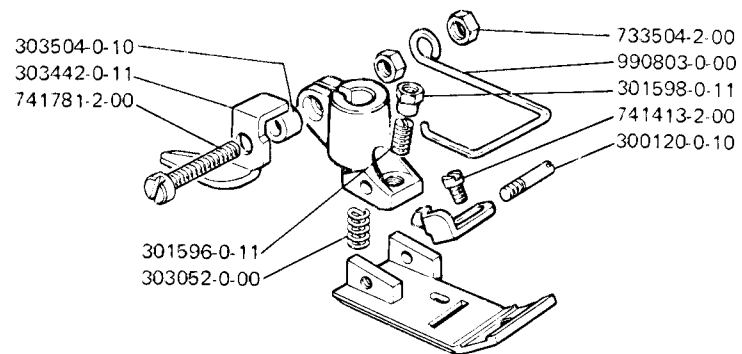
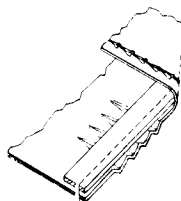
264-16-1MD-02  
264-16-1MD-04

306696-3-02



264-38-1LD-01  
264-38-1MD-14

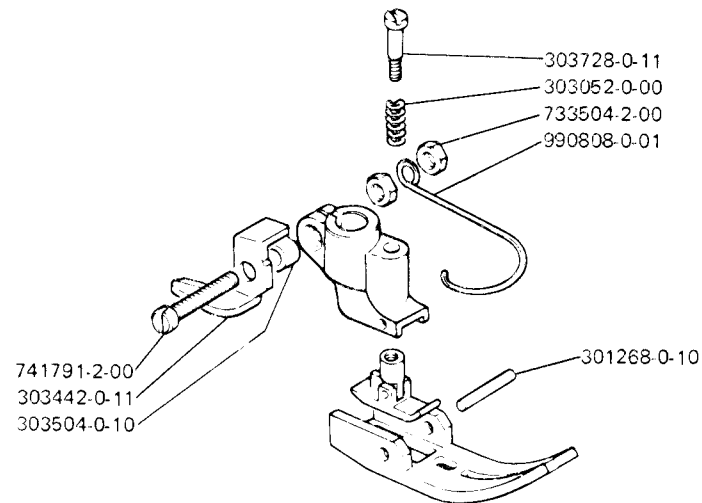
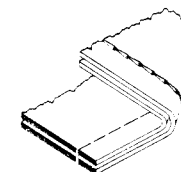
306697-3-01



PER FETTUCCIA }  
FOR BAND } 5 ÷ 10 mm  
POUR BANDE }

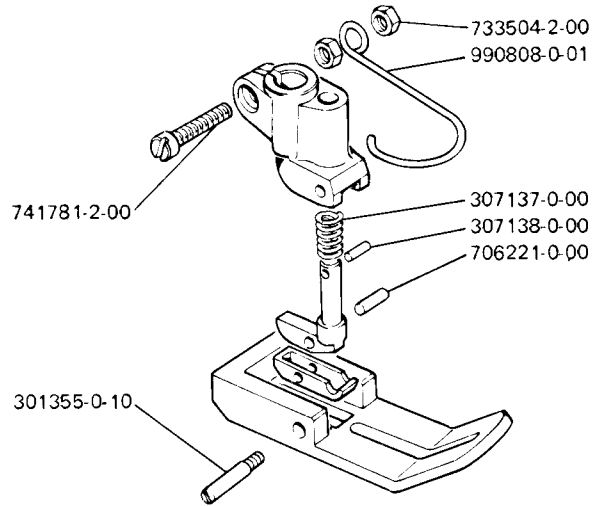
264-00-1MA-28

306711-3-01



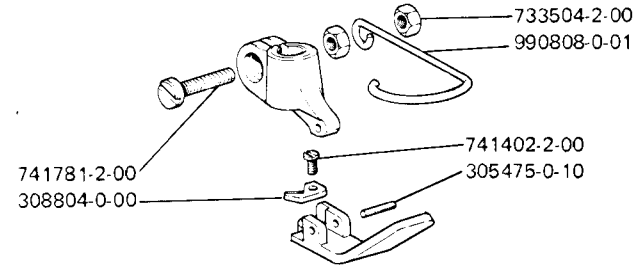
264-00-1LA-39

307146-3-01



264-00-1MA-15

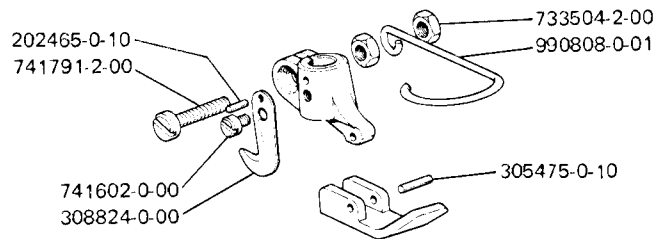
308800-3-00



PER LA CONFEZIONE DI GUANTI ( TAGLIACATENELLA ORIZZONTALE )  
 FOR MAKING - UP GLOVES ( HORIZONTAL CHAIN CUTTING )  
 POUR LA CONFECTION DES GANTS ( COUPE CHAINETTE HORIZONTALE )

264-00-1MA-15

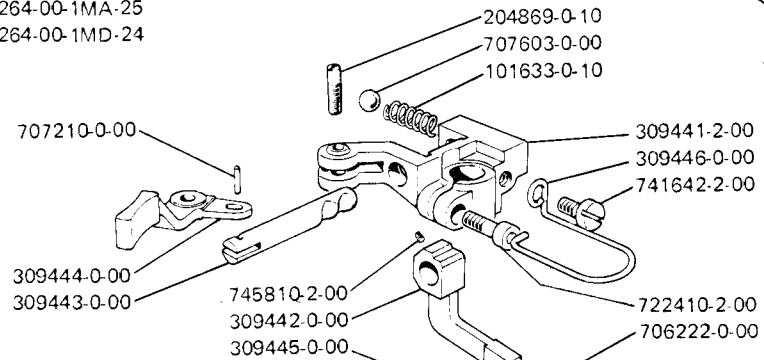
308821-3-00



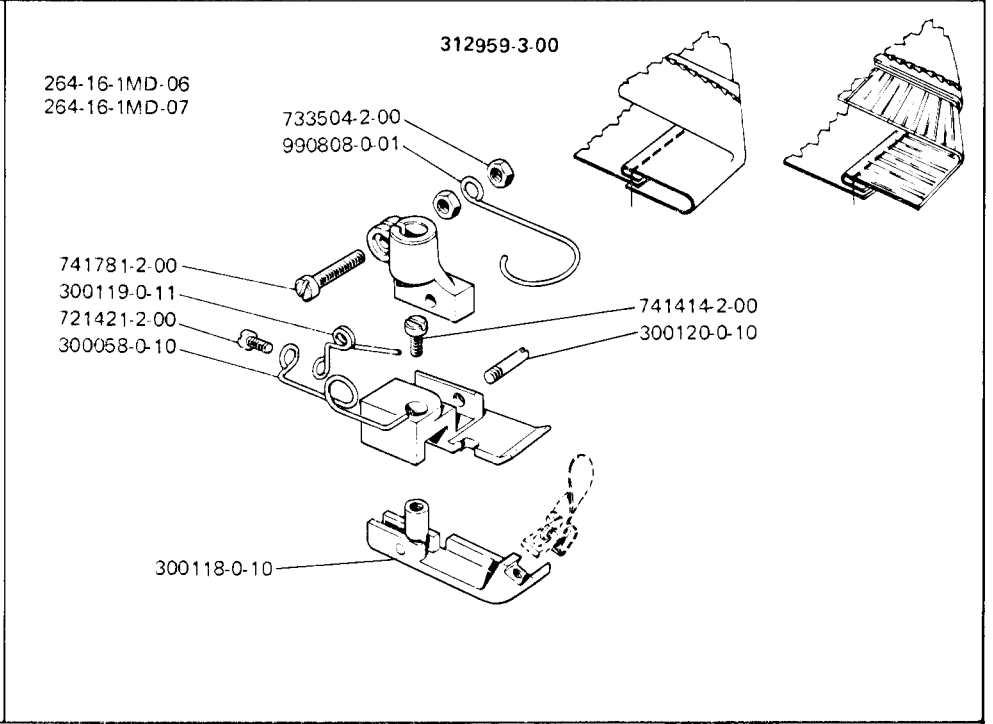
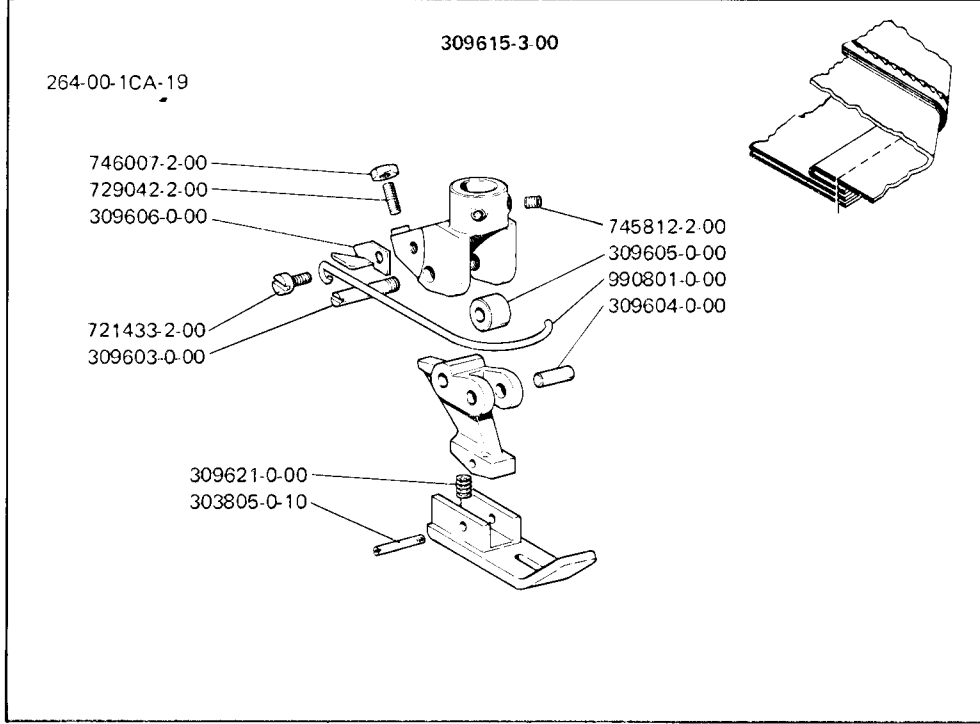
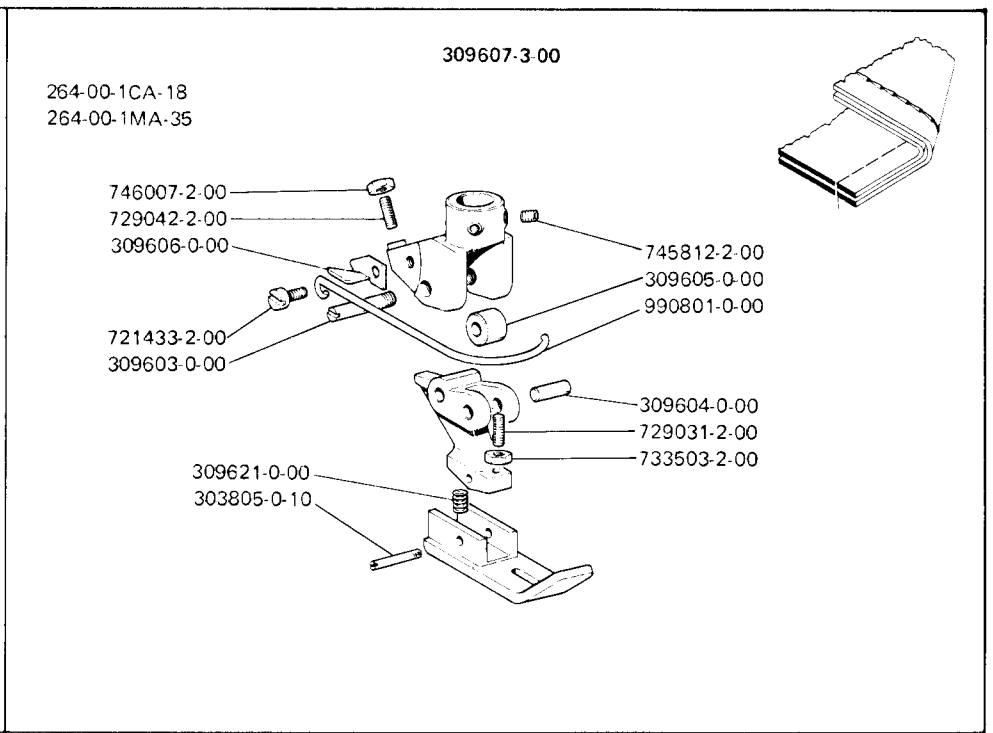
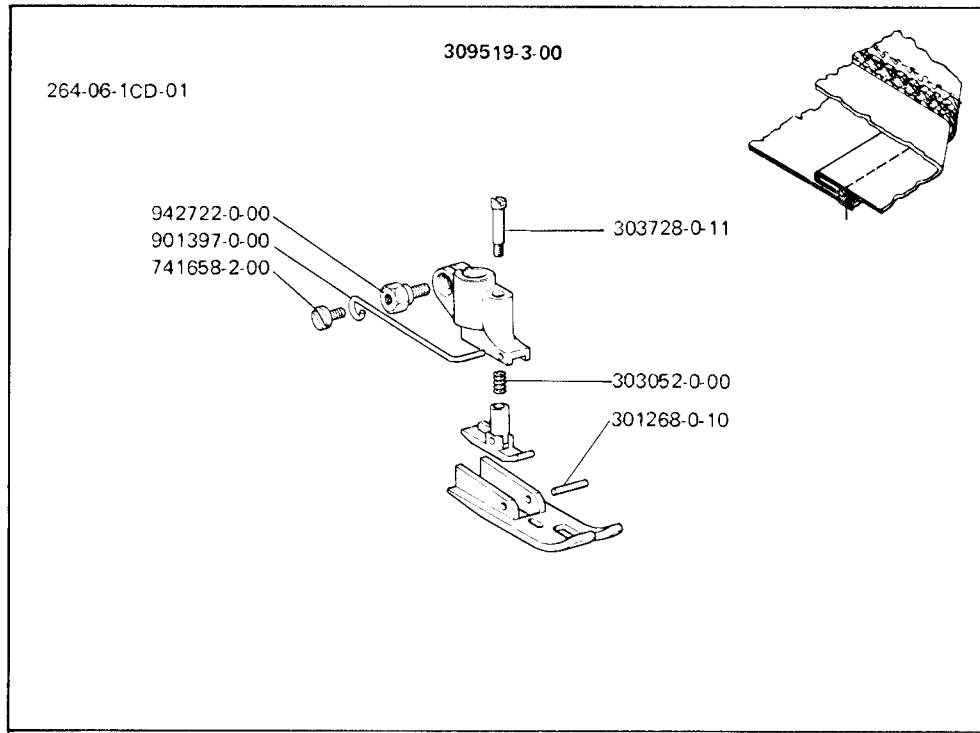
PER LA CONFEZIONE DI GUANTI ( TAGLIACATENELLA VERTICALE )  
 FOR MAKING - UP GLOVES ( VERTICAL CHAIN CUTTING )  
 POUR LA CONFECTION DES GANTS ( COUPE CHAINETTE VERTICAL )

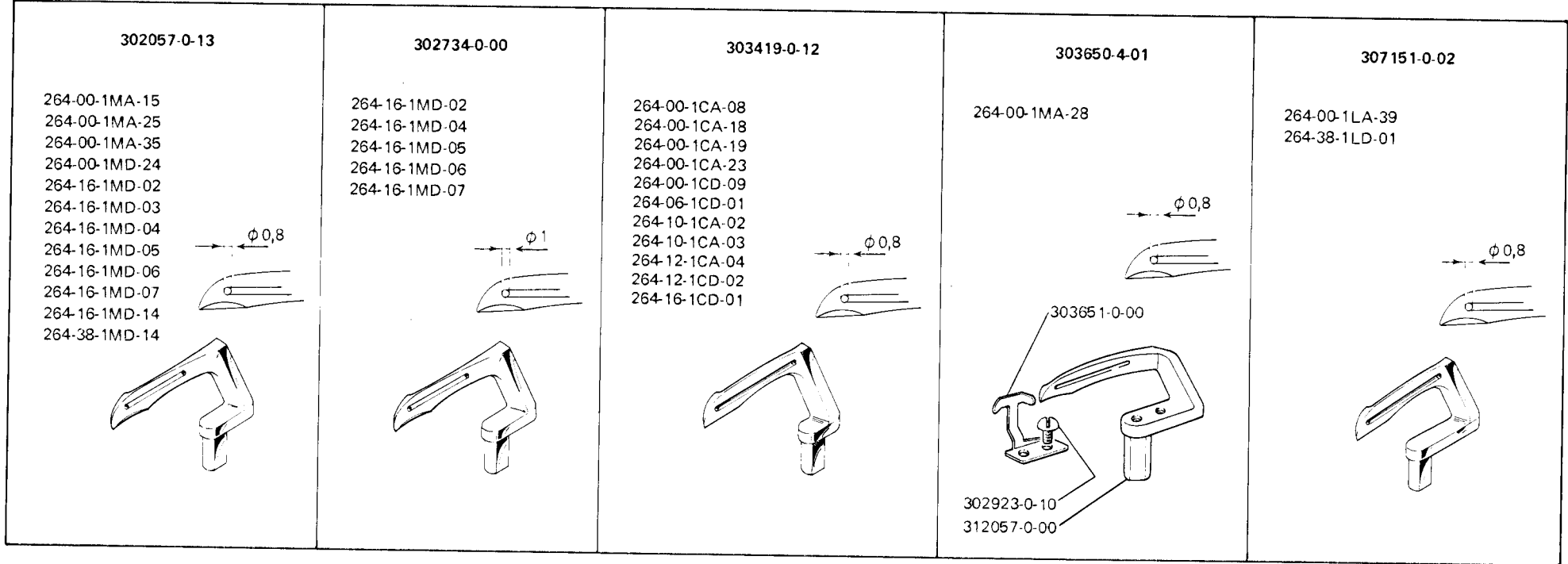
264-00-1CA-08  
 264-00-1CD-09  
 264-00-1MA-25  
 264-00-1MD-24

309440-3-00



CON SLITTA SPOSTABILE MEDIANTE LEVETTA  
 ALLA DESTRA ED ALLA SINISTRA DELL' AGO.  
 WITH MOVABLE SHOE BY LEVER TO THE RIGHT  
 OR LEFT OF THE NEEDLE.  
 AVEC GLISSIERE MOBILE, A L' AIDE DU LEVIER,  
 A DROITE OU A GAUCHE DE L' AIGUILLE.





AGO - NEEDLE - AIGUILLE

SIMBOLO SYMBOL SYMBOLE	RIM	FIN. SIZE GAUGE	TESTA HEAD TETE	SIMBOLO SYMBOL SYMBOLE	RIM	FIN. SIZE GAUGE	TESTA HEAD TETE	SIMBOLO SYMBOL SYMBOLE	UY GAS	FIN. SIZE GAUGE	TESTA HEAD TETE
766000-1-10	63	100	264-16-1MD-03 264-16-1MD-04 264-16-1MD-05 264-16-1MD-06 264-16-1MD-07	766200-1-11	64	110	264-00-1CA-23	960460-1-12	128	120	264-00-1LA-39
766000-1-80	63	80	264-00-1MA-35 264-16-1MD-14 264-38-1MD-14	766200-1-70	64	70	264-00-1CA-19 264-06-1CD-01	960460-1-90	128	90	264-38-1LD-01
766000-1-90	63	90	264-00-1MA-15 264-00-1MA-25 264-00-1MA-28 264-00-1MD-24 264-16-1MD-02	766200-1-80	64	80	264-00-1CA-08 264-00-1CA-18 264-10-1CA-02 264-10-1CA-03 264-12-1CD-02 264-16-1CD-01				
				766200-1-90	64	90	264-00-1CD-09 264-12-1CA-04				

GUIDE - FRENAGGI - ACCESSORI				GUIDES - BRAKES - ACCESSORY				GUIDES - FREINAGES - ACCESSOIRES				
R = a richiesta - on request - sur demande												
TESTA HEAD TETE	GUIDA GUIDE GUIDE	SUPPORTO SUPPORT SUPPORT	FRENAGGIO BRAKE FREINAGE	PORTA ROT. ROLL. CARR. PORTE ROUL.	MISURATORE MEASURER REGLE	TESTA HEAD TETE	GUIDA GUIDE GUIDE	SUPPORTO SUPPORT SUPPORT	FRENAGGIO BRAKE FREINAGE	PORTA ROT. ROLL. CARR. PORTE ROUL.	MISURATORE MEASURER REGLE	
264-00-1CA-08	310012-4-00					264-16-1CD-01	762010-0-00	R	300174-0-11	R	930745-4-00	R
264-00-1CA-18	310012-4-00						762012-0-00	"	"	"	"	"
264-00-1CA-19	309206-4-00	943237-0-00					762013-0-00	"	"	"	"	"
264-00-1CD-23	310048-4-00						762014-0-00	"	"	"	"	"
264-00-1CD-09	310012-4-00						762015-0-00	"	"	"	"	991580-4-00
264-00-1MA-25	310012-4-00						762018-0-00	"	"	"	"	930820-4-00
264-00-1MA-28	313517-4-10						762019-0-00	"	"	"	"	990214-4-11
264-00-1MA-35	310012-4-00						762019-0-00	"	"	"	"	"
264-00-1MD-24	310012-4-00						762101-0-00	"	300129-0-10		930000-4-12	"
264-06-1CD-01	309517-4-00						762102-0-00	"	"	"	"	"
264-10-1CA-03	310042-4-00						762103-0-00	"	"	"	"	"
	310041-4-00	R					762107-0-00	"	"	"	"	"
264-12-1CA-04	310060-4-00						762111-0-00	"	300174-0-11	R	930745-4-00	R
264-12-1CD-02	310004-0-00						762113-0-00	"	"	"	"	"
	760002-0-00	R	300129-0-10	930000-4-12			762302-0-00	"	300129-0-10		930000-4-12	"
	760005-0-00	"	"	"	991580-4-00	264-16-1MD-02	310151-4-01					
			930436-4-11			264-16-1MD-03	310003-4-00					
264-16-1CD-01	310000-4-00						761305-0-00	R				
	760201-0-00	R	300129-0-10	930000-4-12			761310-0-00	"				
	760203-0-00	"	"	"			761314-0-00	"				
	761201-0-00	"	"	"			761801-0-00	"				
	761202-0-00	"	"	"			761802-0-00	"				
	761203-0-00	"	"	"			761804-0-00	"				
	761204-0-00	"	"	"			761806-0-00	"				
	761206-0-00	"	"	"			761808-0-00	"				
	761207-0-00	"	"	"			762210-0-00	"	300173-0-10	930745-4-00	991580-4-00	
	761209-0-00	"	"	"			762211-0-00	"				
	761210-0-00	"	"	"			762212-0-00	"				
	761212-0-00	"	"	"			762213-0-00	"				
	761213-0-00	"	"	"			762214-0-00	"				
	761216-0-00	"	"	"	930820-4-00	R		762216-0-00	"			
	761217-0-00	"	"	"	991580-4-00	"		762217-0-00	"			
	761219-0-00	"	300174-0-11	R	930745-4-00	R		762218-0-00	"			
	761220-0-00	"	"	"	"	"		762221-0-00	"			
	761222-0-00	"	"	"	"	"		762224-0-00	"			
	761224-0-00	"	"	"	"	"		762225-0-00	"			
	761226-0-00	"	"	"	"	"		762226-0-00	"			
	762000-0-00	"	300129-0-10	930000-4-12				762227-0-00	"			
	762001-0-00	"	"	"				762229-0-00	"			
	762002-0-00	"	"	"				762231-0-00	"			
	762004-0-00	"	"	"				762235-0-00	"			
	762005-0-00	"	"	"								
	762006-0-00	"	"	"								
	762007-0-00	"	"	"								
	762008-0-00	"	"	"								





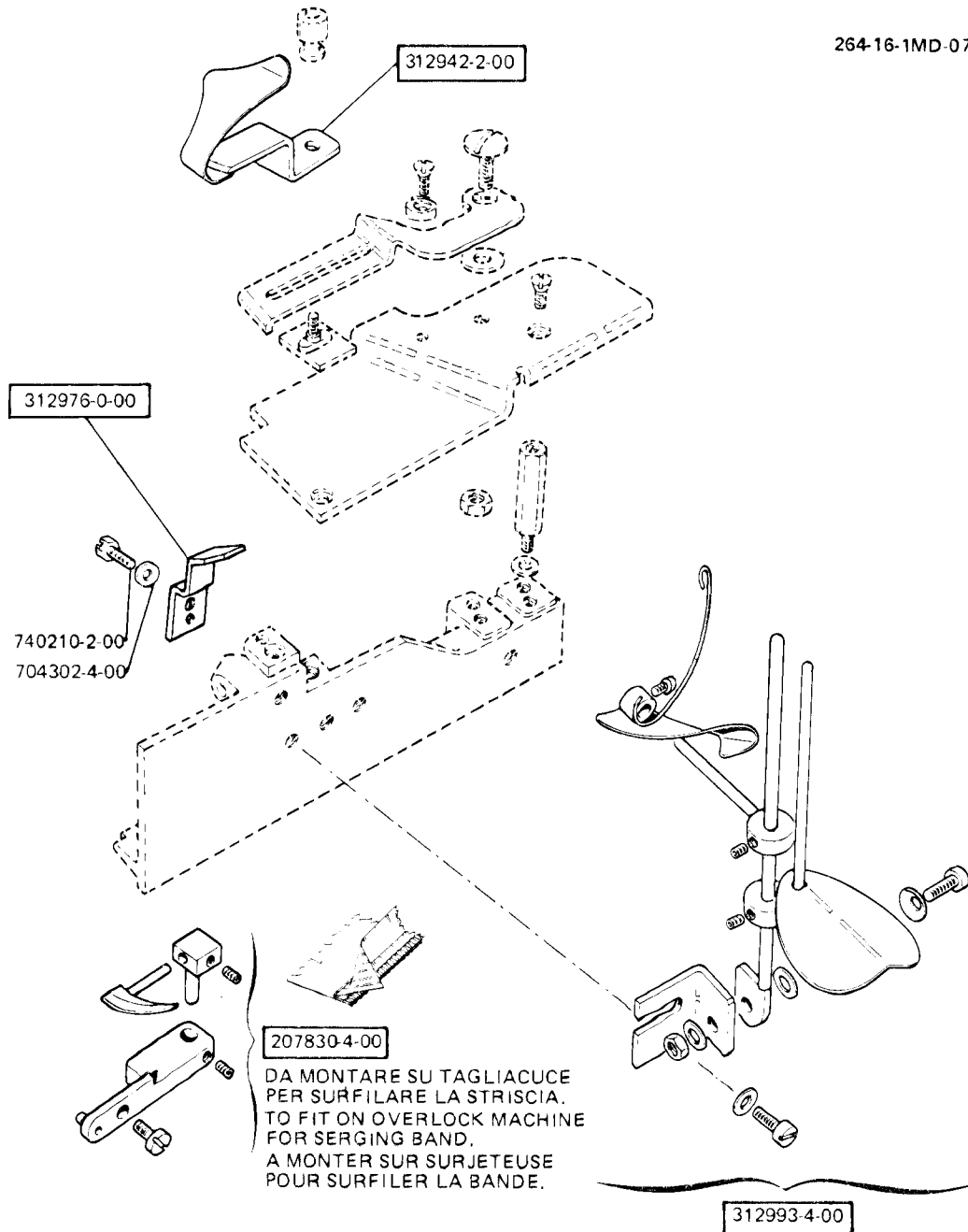
312950-5-01

GRUPPO DI TRASFORMAZIONE  
DA 264-16-1MD-06  
IN 264-16-1MD-07

CONVERSION SET  
FROM 264-16-1MD-06  
IN TO 264-16-1MD-07

GROUPE DE TRASFORMATION  
DE 264-16-1MD-06  
EN 264-16-1MD-07

264-16-1MD-07



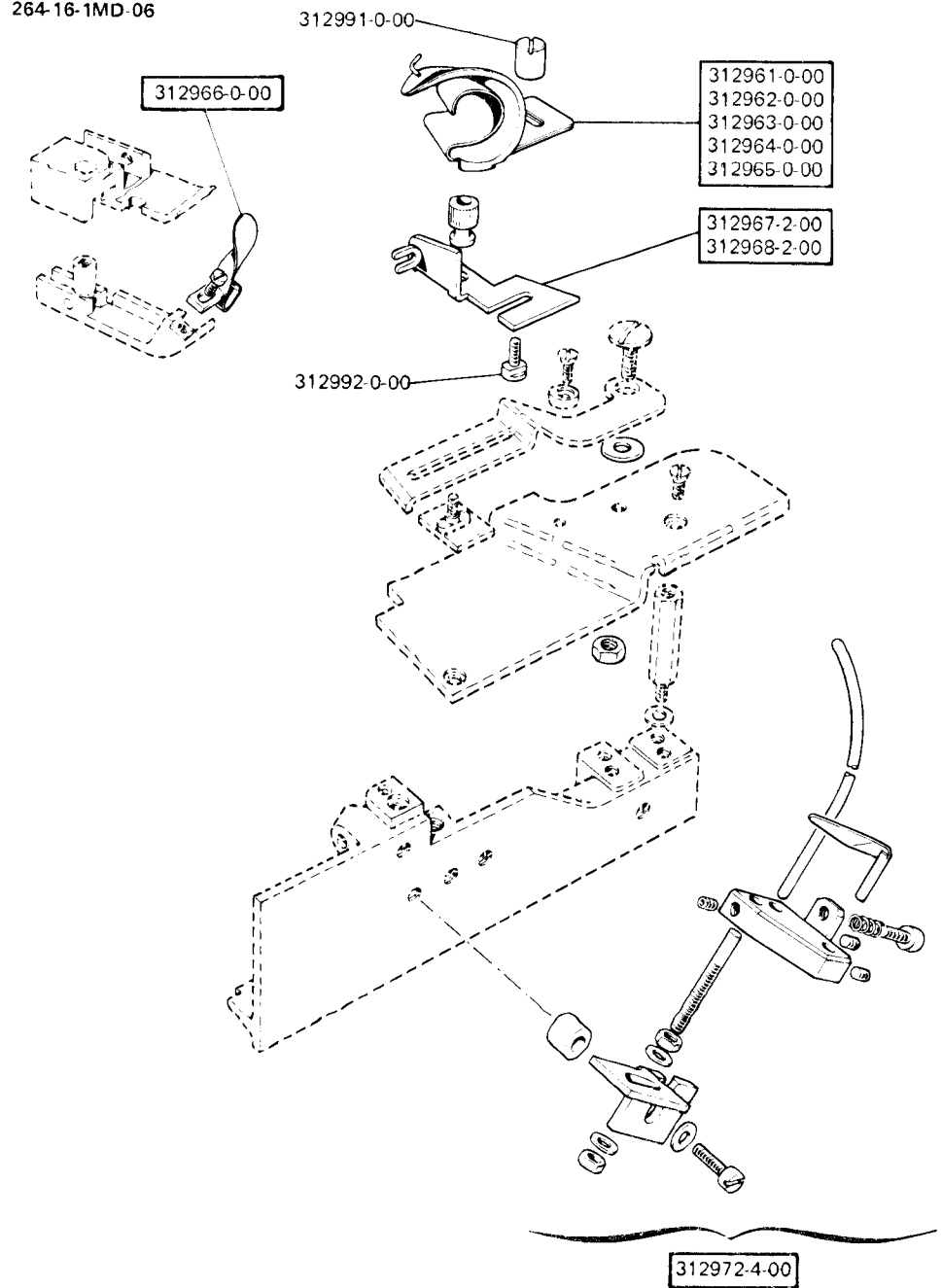
312951-5-00

GRUPPO DI TRASFORMAZIONE  
DA 264-16-1MD-07  
IN 264-16-1MD-06

CONVERSION SET  
FROM 264-16-1MD-07  
IN TO 264-16-1MD-06

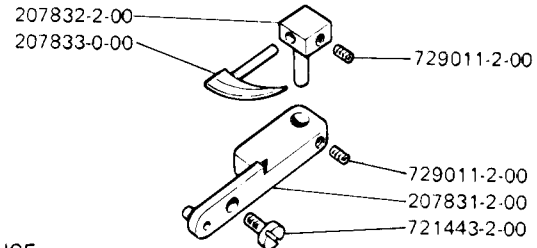
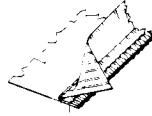
GROUPE DE TRASFORMATION  
DE 264-16-1MD-07  
EN 264-16-1MD-06

264-16-1MD-06



207830-4-00

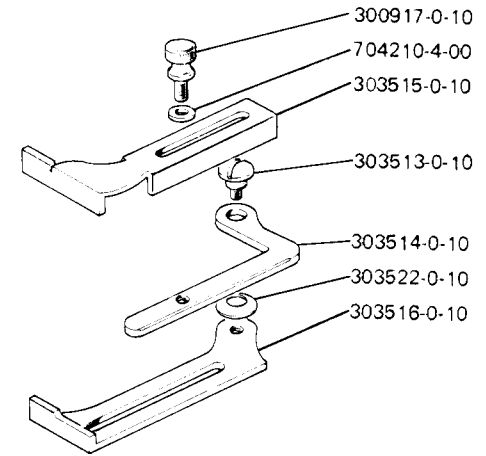
264-16-1MD-07



DA MONTARE SU TAGLIACUCE  
PER SURFILARE LA STRISCIA.  
TO FIT ON OVERLOCK MACHINE  
FOR SERGING BAND.  
A MONTER SUR SURJETEUSE  
POUR SURFILER LA BANDE.

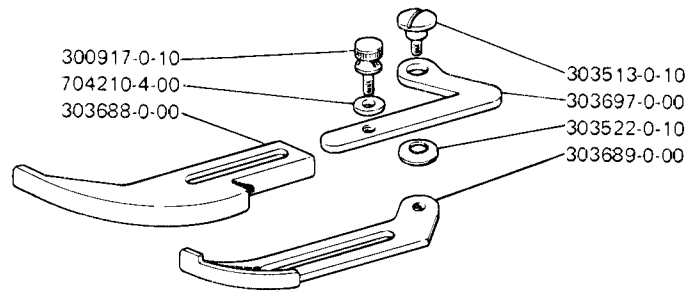
303517-4-10

264-00-1MA-28



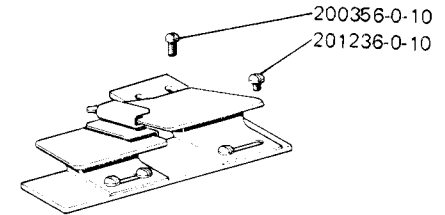
303687-4-00

264-38-1LD-01  
264-38-1MD-14



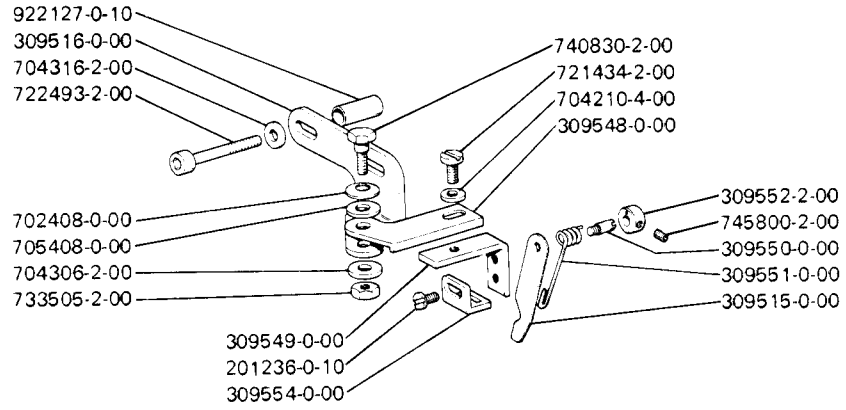
309206-4-00

264-00-1CA-19



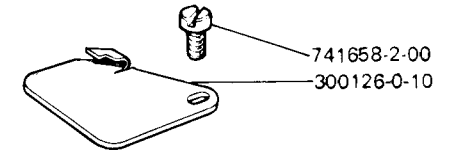
309517-4-00

264-06-1CD-01



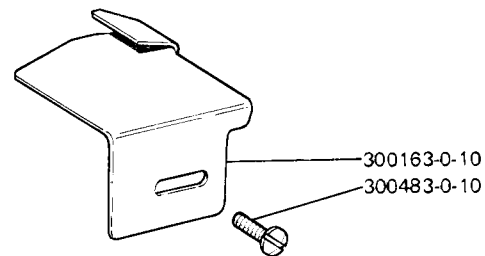
310000-4-00

264-16-1CD-01  
264-16-1MD-14



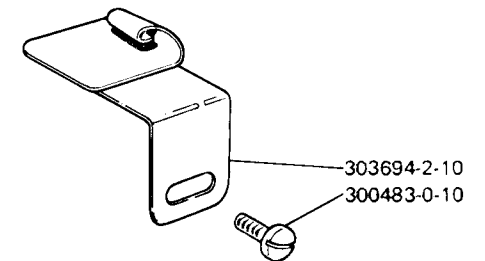
310003-4-00

264-16-1MD-03  
264-16-1MD-04



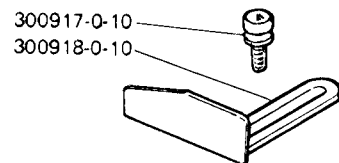
310004-0-00

264-12-1CD-02



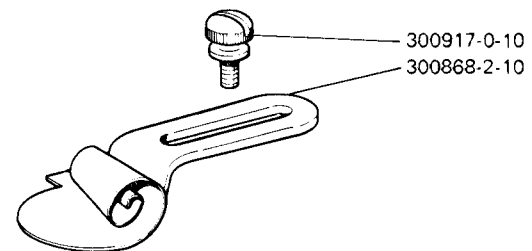
310012-4-00

264-00-1CA-08  
264-00-1CA-18  
264-00-1CD-09  
264-00-1MA-25  
264-00-1MA-35  
264-00-1MD-24



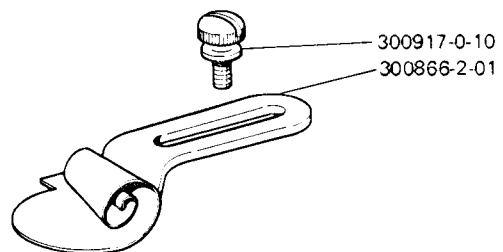
310041-4-00

264-10-1CA-03



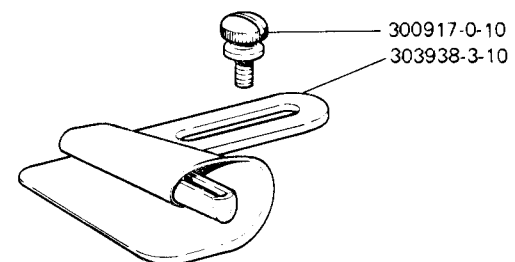
310042-4-00

264-10-1CA-03



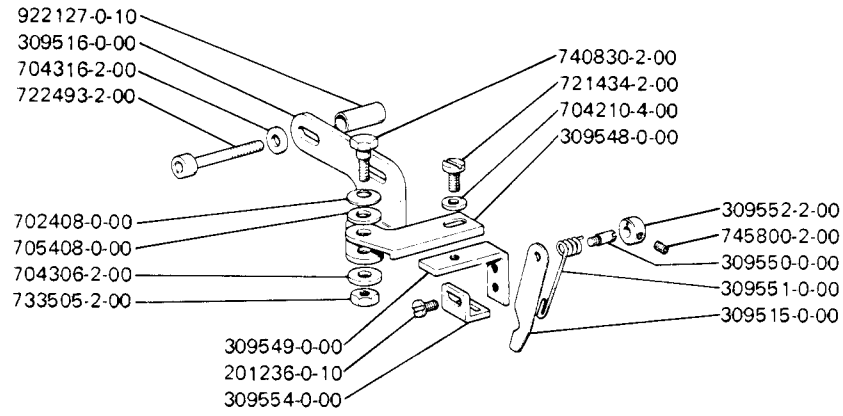
310048-4-00

264-00-1CA-23



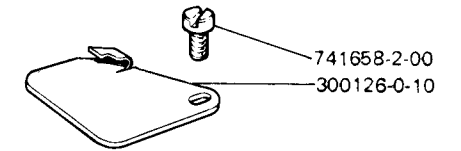
309517-4-00

264-06-1CD-01



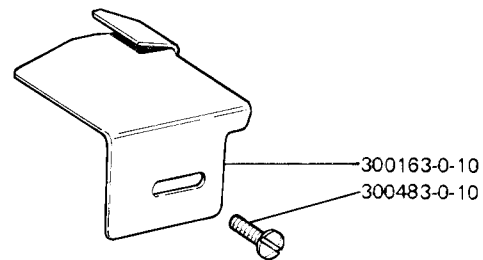
310000-4-00

264-16-1CD-01  
264-16-1MD-14



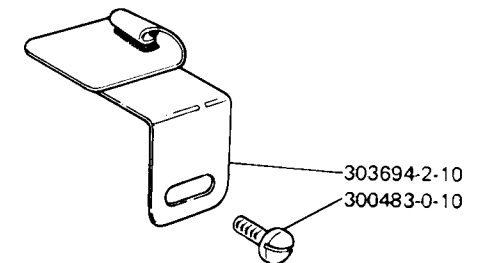
310003-4-00

264-16-1MD-03  
264-16-1MD-04



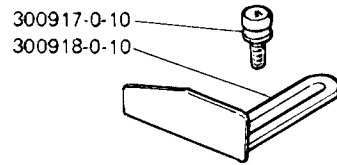
310004-0-00

264-12-1CD-02



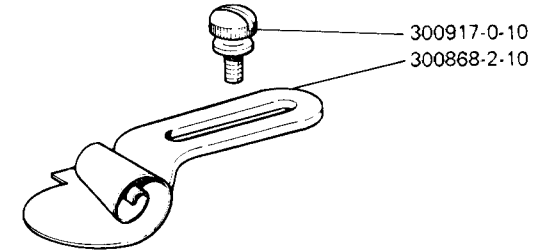
310012-4-00

264-00-1CA-08  
 264-00-1CA-18  
 264-00-1CD-09  
 264-00-1MA-25  
 264-00-1MA-35  
 264-00-1MD-24



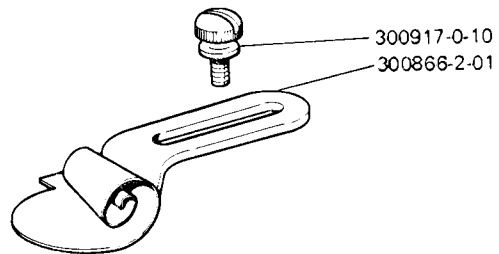
310041-4-00

264-10-1CA-03



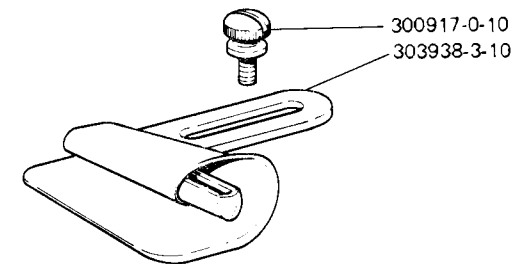
310042-4-00

264-10-1CA-03



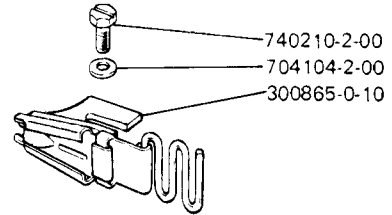
310048-4-00

264-00-1CA-23



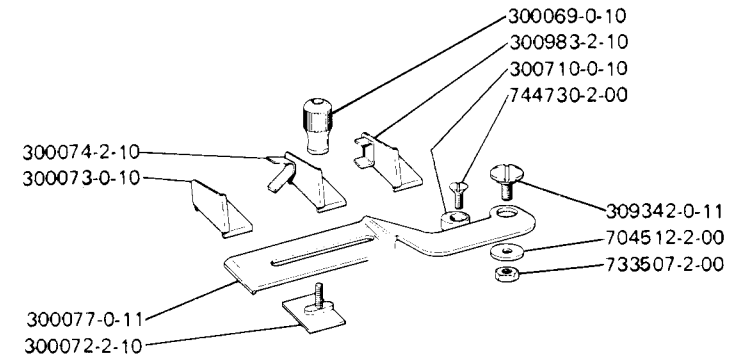
310060-4-00

264-12-1CA-03



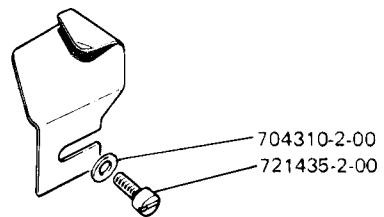
310151-4-01

264-16-1MD-02  
264-16-1MD-04  
264-16-1MD-05



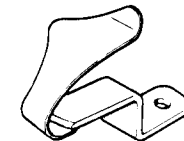
312939-0-00

264-16-1MD-06  
264-16-1MD-07



312942-2-00

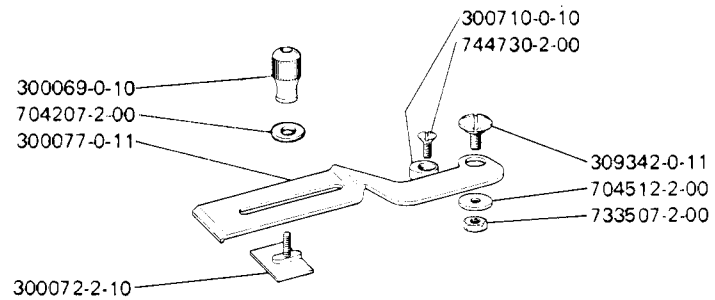
264-16-1MD-07





312960-4-00

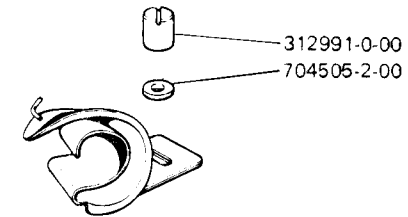
264-16-1MD-06  
264-16-1MD-07



	A
312961-0-00	mm 15
312962-0-00	mm 20
312963-0-00	mm 25
312964-0-00	mm 30
312965-0-00	mm 40

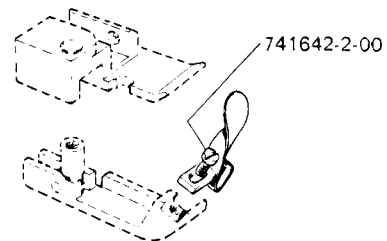


264-16-1MD-06



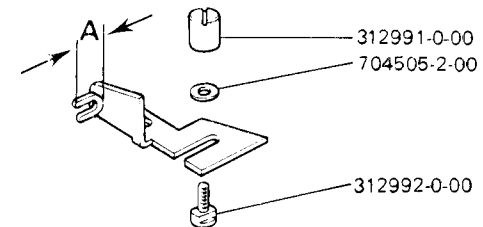
312966-0-00

264-16-1MD-06



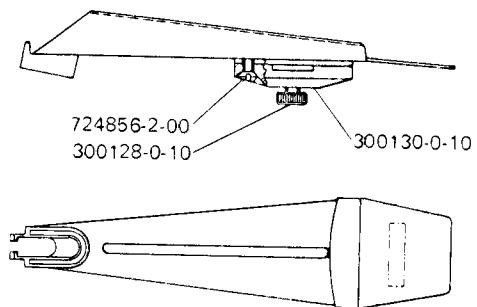
	A
312967-2-00	mm 13
312968-2-00	mm 24

264-16-1MD-06



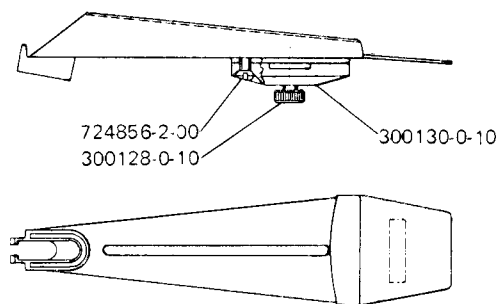
SIMBOLO SYMBOL SYMBOLE			TESTA HEAD TETE
760002-0-00	10	10	2,5
760005-0-00	14	14	2,5

GUIDA LATERALE - SIDE GUIDE - GUIDE LATERAL



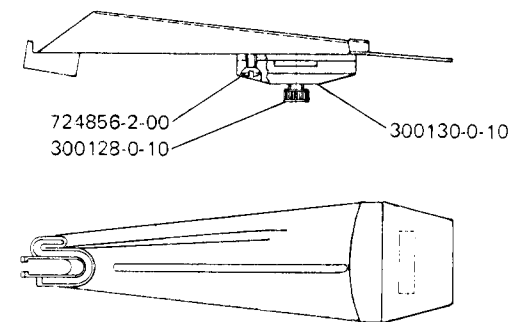
SIMBOLO SYMBOL SYMBOLE			TESTA HEAD TETE
760201-0-00	7	1	15
760203-0-00	14	1,5	28

GUIDA LATERALE - SIDE GUIDE - GUIDE LATERAL



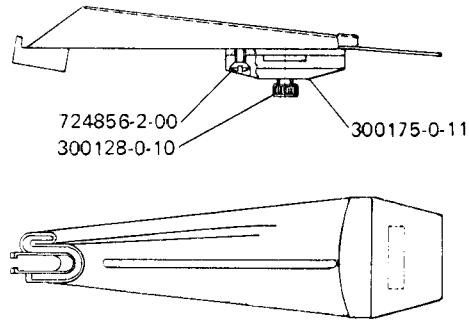
SIMBOLO SYMBOL SYMBOLE			TESTA HEAD TETE
761201-0-00	12,5	1,7	33
761202-0-00	12,5	2,7	33
761203-0-00	16	1,7	40
761204-0-00	16	2,7	40
761206-0-00	19	2	46
761207-0-00	19	3	46
761209-0-00	22	2	52
761210-0-00	22	3	52
761212-0-00	25,5	2	59
761213-0-00	25,5	3,2	59
761216-0-00	32	2	72
761217-0-00	32	3,7	72
761219-0-00	37	2	82
761220-0-00	37	3,7	82

GUIDA LATERALE - SIDE GUIDE - GUIDE LATERAL



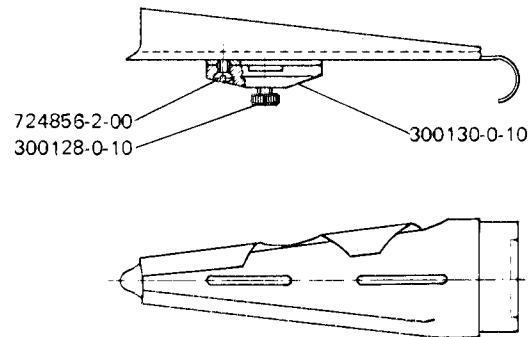
SIMBOLO SYMBOL SYMBOLE				TESTA HEAD TETE
761222-0-00	47	3	103	264-16-1CD-01
761224-0-00	57	3	123	264-16-1MD-14
761226-0-00	62	3	133	

GUIDA LATERALE — SIDE GUIDE — GUIDE LATERAL



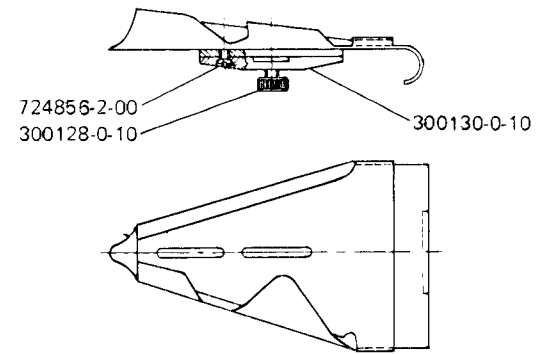
SIMBOLO SYMBOL SYMBOLE				TESTA HEAD TETE
761305-0-00	20	1,5	50	264-16-1MD-03
761310-0-00	29	3	69	264-16-1MD-04
761314-0-00	35	2,5	80	

GUIDA FRONTALE — FRONT GUIDE — GUIDE AVANT



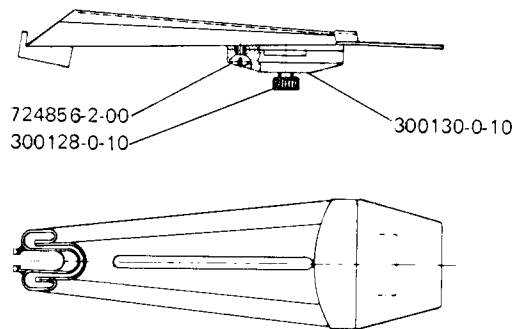
SIMBOLO SYMBOL SYMBOLE				TESTA HEAD TETE
761801-0-00	15	2,5 ÷ 3,5	38 ÷ 39	264-16-1MD-03
761802-0-00	17	2	41	264-16-1MD-04
761804-0-00	25	1,5	63	
761806-0-00	28 ÷ 30	2,5	70	
761808-0-00	33	3	78	

GUIDA FRONTALE — FRONT GUIDE — GUIDE AVANT



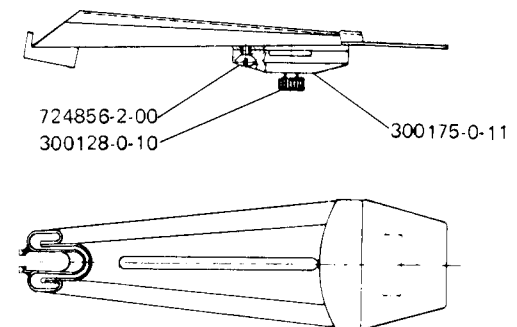
SIMBOLO SYMBOL SYMBOLE				TESTA HEAD TETE
762000-0-00	8	1,5	32	264-16-1CD-01
762001-0-00	12	2	38	
762002-0-00	14	2	42	
762004-0-00	21	2,5	56	
762005-0-00	26	2	66	
762006-0-00	26	3,5	66	
762007-0-00	29	2	78	
762008-0-00	32	1,4	78	
762010-0-00	35	1,5	86	

GUIDA LATERALE – SIDE GUIDE – GUIDE LATERAL



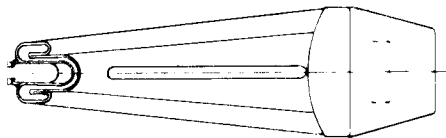
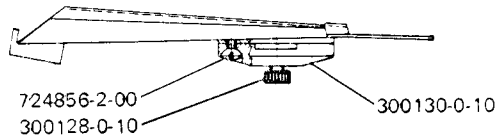
SIMBOLO SYMBOL SYMBOLE				TESTA HEAD TETE
762012-0-00	38	1,2	92	264-16-1CD-01
762013-0-00	40	2,5	96	
762014-0-00	40	3,5	96	
762015-0-00	42	1,5	100	
762018-0-00	57	2,5	130	
762019-0-00	57	3,5	130	

GUIDA LATERALE – SIDE GUIDE – GUIDE LATERAL



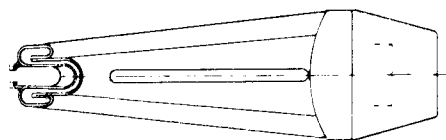
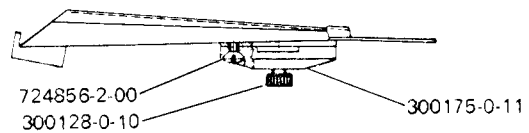
SIMBOLO SYMBOL SYMBOLE				TESTA HEAD TETE
762101-0-00	4	0,9	16	264-16-1CD-01
762102-0-00	6	0,9	22	
762103-0-00	7	0,9	28	
762107-0-00	27,5	1,3	73	

GUIDA LATERALE - SIDE GUIDE - GUIDE LATERAL



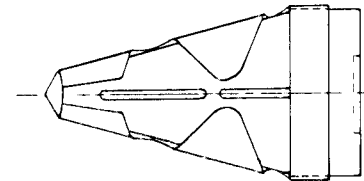
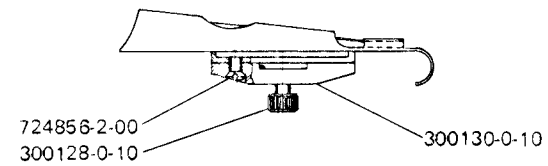
SIMBOLO SYMBOL SYMBOLE				TESTA HEAD TETE
762111-0-00	38	2	92	264-16-1CD-01
762113-0-00	42	2	100	

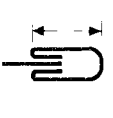

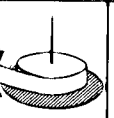
GUIDA LATERALE - SIDE GUIDE - GUIDE LATERAL



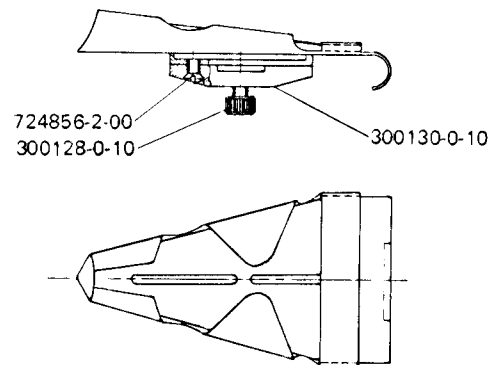
SIMBOLO SYMBOL SYMBOLE				TESTA HEAD TETE
762201-0-00	8	1,5	29	264-16-1MD-04
762202-0-00	9	1,5	32	
762203-0-00	10	2	34	
762205-0-00	13	2	38 ÷ 40	
762206-0-00	15	1,5	46	
762207-0-00	15 ÷ 17	2,5	46 ÷ 52	
762208-0-00	17	2,5	52	

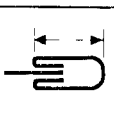

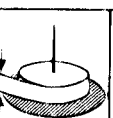
GUIDA FRONTALE - FRONT GUIDE - GUIDE AVANT



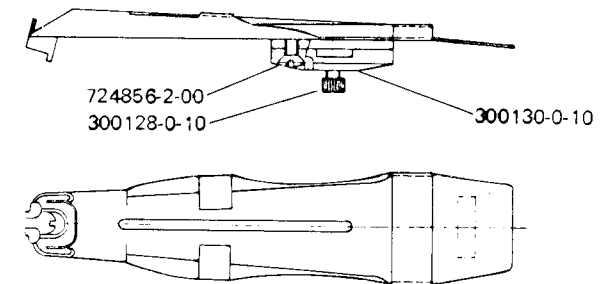
SIMBOLO SYMBOL SYMBOLE				TESTA HEAD TETE
762210-0-00	20	1,5	57	264-16-1MD-03 264-16-1MD-04
762211-0-00	20	2,5	57	
762212-0-00	22	1,5	65	
762213-0-00	22	2,5	65	
762214-0-00	22	1,3	80	
762216-0-00	25	1	67	
762217-0-00	25	2,5	67	
762218-0-00	25	3,5 ÷ 4,5	73	
762221-0-00	30	2,5	78	
762224-0-00	34	1,3	86	
762225-0-00	34	2,5	86	
762226-0-00	35	2,5	90	
762227-0-00	35	3,3	90	
762229-0-00	35	2,5 ÷ 4	98	
762231-0-00	40	2,6 ÷ 3,7	104	
762235-0-00	57	3,5 ÷ 4,5	137	

## GUIDA FRONTALE - FRONT GUIDE - GUIDE AVANT



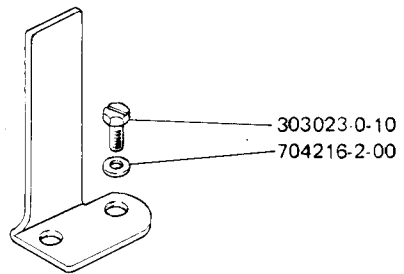
SIMBOLO SYMBOL SYMBOLE				TESTA HEAD TETE
762302-0-00	9	2,5	34	264-16-1CD-01

## GUIDA LATERALE - SIDE GUIDE - GUIDE LATERAL



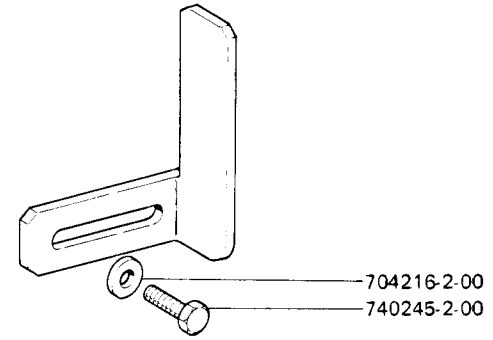
300129-0-10

264-12-1CD-02  
264-16-1CD-01  
264-16-1MD-14



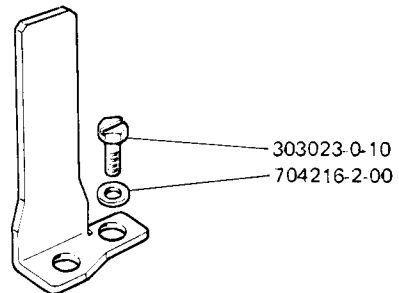
300173-0-10

264-16-1MD-03  
264-16-1MD-04



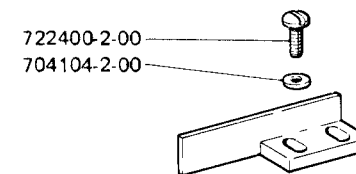
300174-0-11

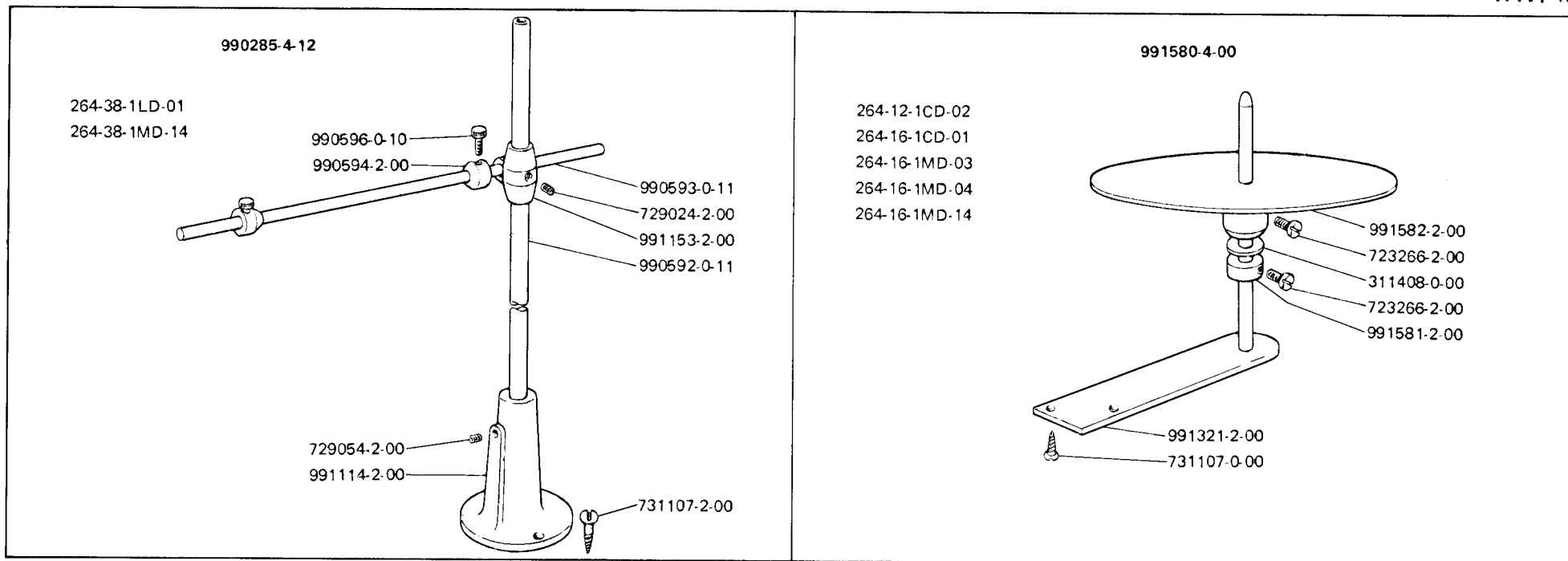
264-16-1CD-01  
264-16-1MD-14



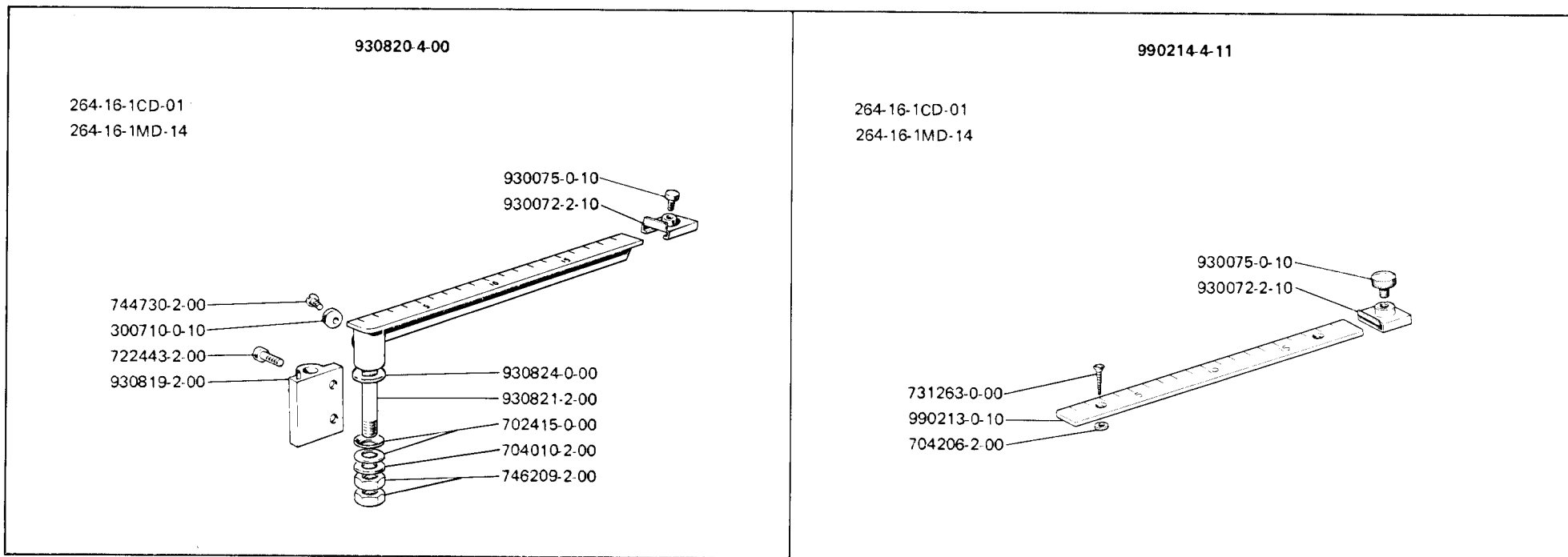
943237-0-00

264-00-1CA-19





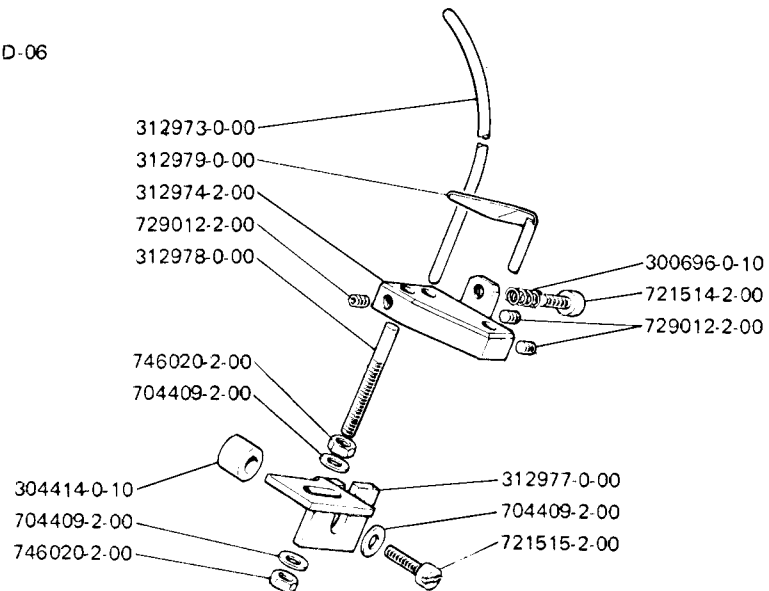
MISURATORE - MEASURER - REGLE





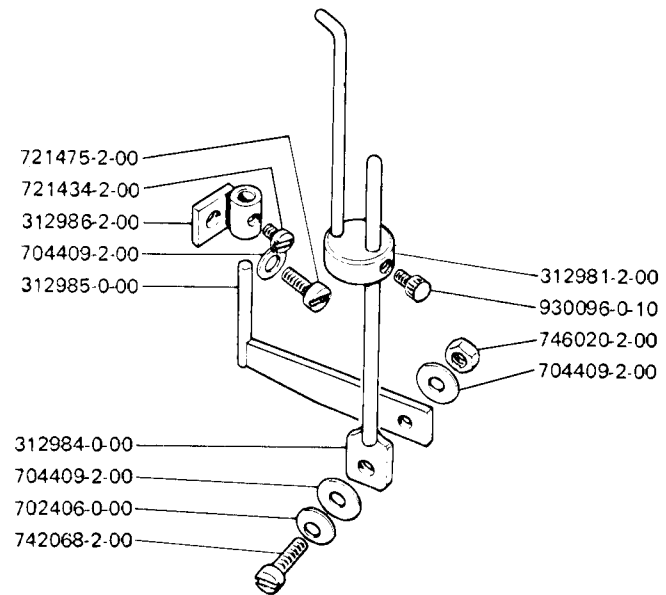
312972-4-00

264-16-1MD-06



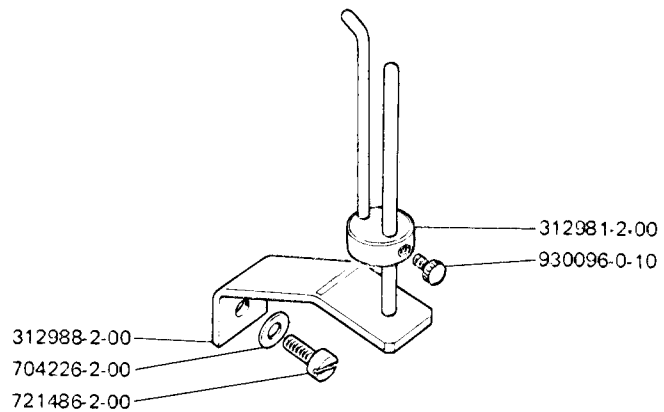
312980-4-00

264-16-1MD-06  
264-16-1MD-07



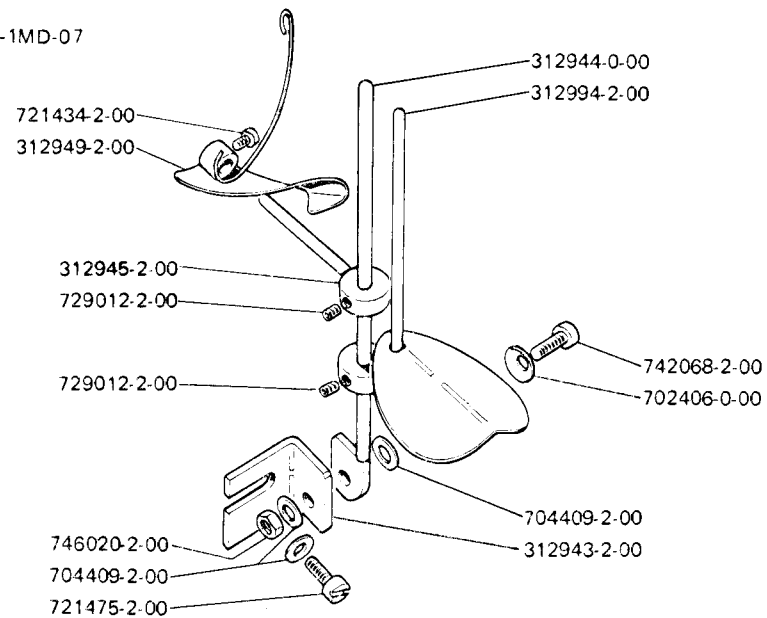
312987-4-00

264-16-1MD-06  
264-16-1MD-07



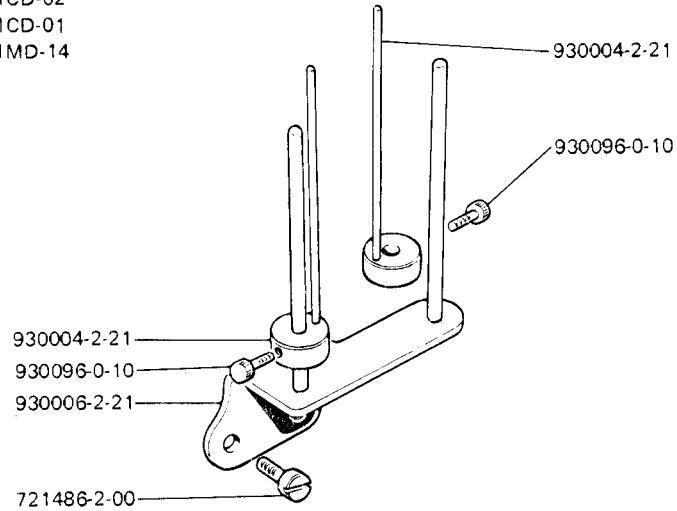
312993-4-00

264-16-1MD-07



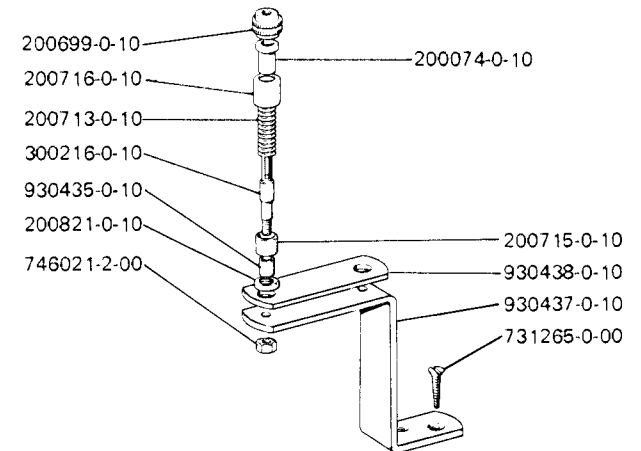
930000-4-12

264-12-1CD-02  
264-16-1CD-01  
264-16-1MD-14



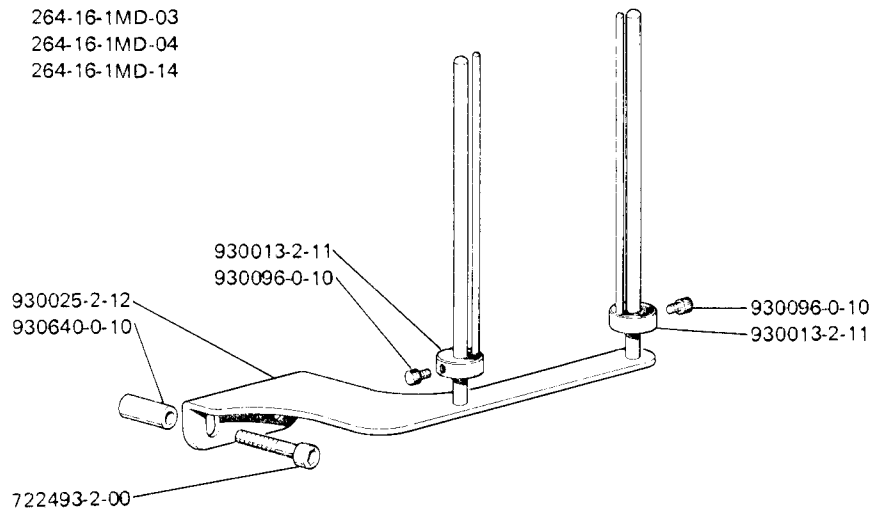
930436-4-11

264-12-1CD-02



930745-4-00

264-16-1CD-01  
264-16-1MD-03  
264-16-1MD-04  
264-16-1MD-14



930911-4-01

264-38-1LD-01  
264-38-1MD-14

