

263-34-2WR-20
263-34-2WR-21
263-34-2WR-22
263-34-2WR-27

EDIZIONE - EDITION 12/83

n. 299

ISTRUZIONI PER LA CONSULTAZIONE DEL CATALOGO

Tutti i particolari delle teste sono rappresentati in più tavole come indicato nell'indice.

Quando i particolari rappresentati in una tavola **sono comuni a tutte le teste riportate nel catalogo**, sulla tavola e nell'indice **non sono indicati i simboli delle teste** poiché sono gli stessi riportati sulla copertina.

Eventuali varianti sono rappresentate in un riquadro sulla medesima tavola, con l'indicazione delle teste a cui si riferiscono.

Quando i particolari rappresentati in una tavola **non sono comuni a tutte le teste riportate nel catalogo**, la tavola viene ripetuta più volte con lo stesso numero seguito da una lettera.

Sulla tavola e nell'indice (di fianco alla descrizione della tavola) **sono indicate le teste interessate**. Eventuali varianti sono rappresentate in un riquadro sulla medesima tavola, con l'indicazione delle teste a cui si riferiscono.

- 1) tutti i particolari non fornibili sciolti non vengono richiamati singolarmente ma soltanto illustrati nel gruppo d'appartenenza.
- 2) I numeri riguardanti le figure dei particolari che compongono il gruppo sono di norma raggruppati in una parentesi. In alcuni casi però, dove non è possibile il raggruppamento, i numeri sono affiancati dallo stesso segno particolare (es. ★▲●■ ecc.) con cui è indicato l'intero gruppo.

I particolari a richiesta rappresentati nelle tavole sono contrassegnati con la voce "A RICHIESTA".

Le teste su cui tali particolari possono essere montati sono indicate nelle descrizioni della tavola.

Per facilitare la ricerca viene riportato l'elenco di tutti i particolari illustrati sul Catalogo Base, con la relativa tavola in cui gli stessi sono richiamati.

AGHI

Gli aghi sono contraddistinti dal sistema e dalla finezza.

Il sistema dell'ago e la finezza sono marcati oltre che sulla busta, anche sull'ago stesso. Nelle ordinazioni precisare, oltre al simbolo, il sistema e la finezza degli aghi desiderati. In caso di dubbio allegare un ago campione o una bustina vuota.

IMPORTANTE

Nella richiesta di parti di ricambio citare sempre il relativo numero della testa, il numero della tavola e il simbolo del particolare con relativa descrizione usata sul catalogo.

INSTRUCTIONS TO CONSULT THE CATALOGUE

All the spare parts are illustrated in several table as indicated in the index.

When the parts illustrated in one table **are common to all the heads listed in the catalogue**, the symbols of the heads, have not been indicated on the table and in the index because they are listed on the cover.

Eventual variations are illustrated in a square on the same table, with the indication of the heads to whom it refers.

When the parts illustrated in one table **are not common to all the heads listed in the catalogue**, the table is reproduced several times with the same reference number followed by a letter.

The heads concerned have been indicated on the table and in the index (by the side of the description of the table).

Eventual variations are illustrated in a square on the same table, with the indication of the heads to whom it refers.

- 1) all parts which cannot be supplied by themselves are not indicated alone, but shown together with the group to which they belong.
- 2) The references of the pictures of the parts making up the group are usually put in brackets. In some cases, however, when their grouping is not possible, the numbers of the various parts in the tables are marked with the same particular sign (for ex ★▲●■ etc.) with which the whole group is indicated.

The parts on request illustrated on the tables have the indication "ON REQUEST".

The heads on which those parts can be fitted are indicated in the description of the table.

NEEDLES

The needles are marked with system and size.

The system and size of the needle are shown on the packet as well as on the needle itself. When ordering please state symbol, system and size. If you have doubts, enclose a sample needle or an empty packet with your order.

ATTENTION

When ordering spare parts always state the serial number of the machine, the symbol of the part in question and the description given in the catalogue.

INSTRUCTIONS POUR LA CONSULTATION DU CATALOGUE

Toutes les pièces des têtes sont représentées en plusieurs tables comme nous avons indiqué dans l'index.

Quand les pièces représentées dans une table **sont communes à toutes les têtes mentionnées dans le catalogue**, sur la table et dans l'index **ne sont pas indiqués les symboles des têtes** car ce sont les mêmes imprimés sur la couverture.

Les modifications éventuelles sont indiquées dans un panneau sur la table même avec l'indication des têtes auxquelles elles se réfèrent.

Quand les pièces représentées dans une table **ne sont pas communes à toutes les têtes mentionnées dans le catalogue**, la table est publiée plusieurs fois avec les mêmes chiffres suivis d'une lettre. **Sur la table et dans l'index** (à côté de la description de la table) **sont indiqués les têtes intéressées**. Les modifications éventuelles sont indiquées dans un panneau sur la table même avec l'indication des têtes auxquelles elles se réfèrent.

- 1) toutes les pièces qui ne sont pas fournies séparément mais qui font partie d'un groupe, ne sont pas indiquées séparément.
- 2) Les symboles des pièces qui forment un groupe sont regroupés entre parenthèses. Cependant, lorsque ceci n'a pas été possible, les symboles, qui dans les tables d'illustration correspondent aux pièces, sont suivis du même signe particulier (ex ★▲●■ etc.) qui indique le groupe tout entier.

Les pièces sur demande représentées dans les tables sont marquées avec la mention "SUR DEMANDE".

Pour faciliter la recherche, le catalogue renferme l'index numérique de toutes les pièces illustrées avec indication de la table dans laquelle elles sont indiquées.

AIGUILLES

Les aiguilles se différencient par le système et la grosseur.

Le système de l'aiguille et sa grosseur, sont indiqués non seulement sur le sachet mais également sur l'aiguille. Dans l'ordre préciser, en plus du symbole, le système et la grosseur des aiguilles désirés. En cas de doute, joindre une aiguille comme modèle ou un sachet vide.

ATTENTION

En cas d'ordre de pièces détachées indiquer toujours le numéro de la machine, le symbole de la pièce et la dénomination officielle mentionnée sur le catalogue.

INDICE NUMERICO INDEX

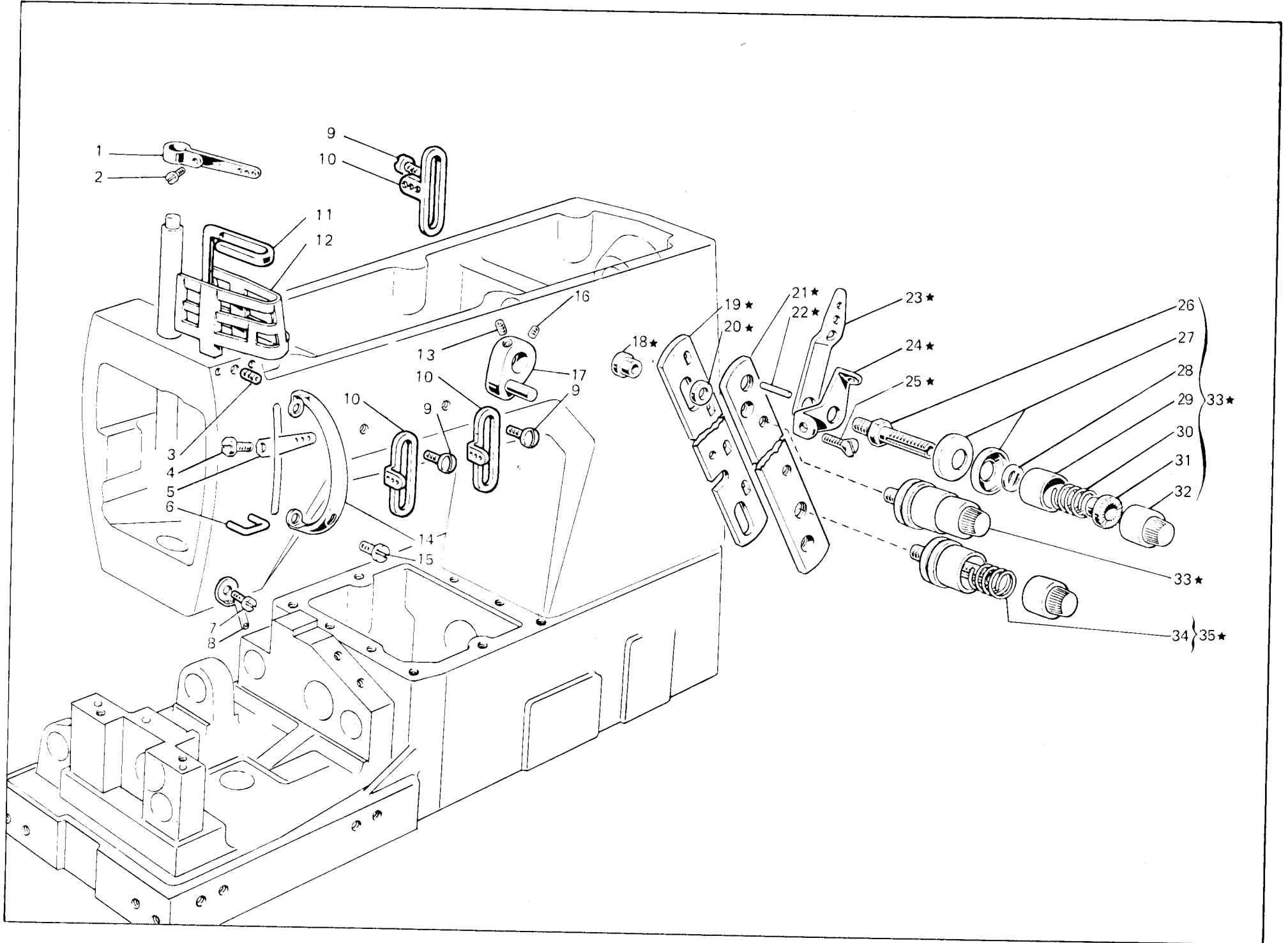
| Part. N. | Tav. N. | Part. N. | Tav. N. | Part. N. | Tav. N. | Part. N. | Tav. N. | Part. N. | Tav. N. | Part. N. | Tav. N. | Part. N. | Tav. N. |
|-------------|---------|-------------|---------|-------------|---------|-------------|---------|-------------|---------|-------------|---------|-------------|---------|
| 200324-0-10 | 2 | 300364-0-10 | 6 | 302355-0-10 | 3 | 302873-3-12 | 23 | 307990-0-00 | 15 | 308075-0-00 | 9 | 308190-0-00 | 6 |
| 200356-0-10 | 10 | 300371-0-11 | 6 | 302356-0-10 | 4 | 302876-0-10 | 23 | 307991-0-00 | 15 | 308076-2-01 | 7 | 308191-4-01 | 6 |
| 200710-0-10 | 1 | 300377-0-10 | 5 | 302708-0-01 | 13 | 302883-0-00 | 23 | 308002-0-00 | 14 | 308077-2-01 | 9 | 308192-4-03 | 6 |
| 200714-0-10 | 1 | 300391-0-10 | 2 | 302753-0-10 | 22 | 303045-0-10 | 1 | 308005-0-00 | 8 | 308078-0-00 | 9 | 308194-0-01 | 6 |
| 201128-0-10 | 8-9 | 300469-2-11 | 5 | 302754-0-10 | 22 | 303052-0-00 | 23 | 308006-4-00 | 8 | 308079-4-20 | 9 | 308196-0-10 | 6 |
| 201143-0-10 | 5-6 | 300482-0-10 | 5-9 | 302762-0-10 | 22 | 303458-0-12 | 6 | 308007-0-00 | 7 | 308080-0-00 | 9 | 308203-0-01 | 1 |
| 202032-0-11 | 8-9 | 300483-0-10 | 2-3 | 302764-2-10 | 22 | 303459-2-11 | 5 | 308009-0-10 | 4 | 308081-4-00 | 9 | 308206-0-00 | 14 |
| 202229-0-10 | 1 | 300710-0-10 | 20 | 302765-4-10 | 22 | 303494-0-10 | 6 | 308012-2-10 | 4 | 308082-2-00 | 9 | 308207-0-00 | 15 |
| 202397-0-10 | 5 | 301458-0-10 | 5-6 | 302766-0-10 | 22 | 303503-0-10 | 5 | 308013-4-02 | 4 | 308086-0-11 | 4 | 308208-0-00 | 14 |
| 202398-0-10 | 15 | 301459-4-10 | 5-6 | 302767-0-10 | 22 | 303538-0-00 | 5 | 308015-0-00 | 4 | 308098-0-00 | 7 | 308209-0-00 | 14 |
| 202473-0-11 | 6 | 301519-2-11 | 6 | 302768-0-10 | 22 | 303539-0-00 | 5 | 308029-2-00 | 6 | 308101-2-00 | 3 | 308210-0-00 | 14 |
| 202474-0-10 | 5 | 301579-0-10 | 5-6 | 302769-0-10 | 22 | 303899-0-11 | 8 | 308030-2-00 | 5 | 308102-0-00 | 3 | 308211-0-00 | 15 |
| 202486-0-10 | 6 | 301586-0-10 | 6 | 302770-0-10 | 22 | 304407-3-11 | 23 | 308031-0-01 | 8 | 308103-4-10 | 3 | 308213-0-00 | 14 |
| 202487-0-10 | 7 | 301596-0-11 | 23 | 302773-0-11 | 23 | 304408-3-11 | 23 | 308032-0-00 | 8 | 308104-0-00 | 15 | 308214-0-00 | 15 |
| 202556-0-01 | 1 | 301598-0-11 | 23 | 302795-0-10 | 22 | 304411-0-11 | 23 | 308036-2-00 | 8 | 308105-4-03 | 15 | 308215-0-00 | 15 |
| 202558-2-01 | 1 | 302028-2-20 | 6 | 302796-0-10 | 22 | 304424-0-10 | 10 | 308037-0-01 | 8 | 308107-0-01 | 1 | 308220-0-00 | 8 |
| 203658-0-10 | 23 | 302052-2-21 | 5 | 302797-0-10 | 22 | 304437-0-10 | 10 | 308038-0-10 | 8 | 308110-3-02 | 15 | 308226-0-02 | 14 |
| 203949-0-10 | 10 | 302057-0-13 | 5 | 302798-0-10 | 22 | 304438-0-10 | 10 | 308039-0-01 | 1-8 | 308111-0-00 | 15 | 308228-2-00 | 14 |
| 206545-0-00 | 14 | 302059-0-10 | 7 | 302801-3-11 | 13 | 304453-2-10 | 10 | 308040-2-00 | 15 | 308113-0-00 | 14 | 308232-0-01 | 8 |
| 206555-0-00 | 15 | 302060-0-11 | 7 | 302803-0-10 | 13 | 304457-0-10 | 10 | 308041-0-00 | 8 | 308114-2-02 | 15 | 308234-2-00 | 8 |
| 206557-0-00 | 15 | 302064-0-10 | 2 | 302804-2-11 | 13 | 304458-0-10 | 10 | 308042-0-00 | 8 | 308123-0-00 | 15 | 308235-0-00 | 8-9 |
| 206559-0-01 | 14 | 302136-0-12 | 1 | 302806-0-10 | 13 | 304459-0-10 | 10 | 308043-0-00 | 15 | 308125-0-01 | 14 | 308236-2-01 | 8 |
| 206560-0-10 | 14 | 302149-0-11 | 2 | 302807-0-10 | 13 | 304460-0-10 | 10 | 308044-0-00 | 5 | 308127-0-00 | 4 | 308238-4-00 | 8 |
| 206564-0-00 | 14 | 302152-0-10 | 6 | 302808-0-10 | 13 | 304472-0-10 | 10 | 308045-0-01 | 5 | 308128-0-01 | 3 | 308239-0-00 | 1 |
| 206583-0-00 | 8 | 302168-2-10 | 2 | 302810-0-10 | 22 | 304473-4-10 | 10 | 308046-2-01 | 5 | 308129-0-01 | 3 | 308244-4-00 | 8 |
| 206669-2-02 | 15 | 302172-0-10 | 2 | 302811-0-10 | 22 | 304474-0-10 | 10 | 308047-0-00 | 5 | 308137-0-00 | 1 | 308254-3-00 | 5 |
| 207893-0-00 | 10 | 302204-0-10 | 2 | 302812-0-10 | 13 | 304475-0-10 | 10 | 308050-2-00 | 5 | 308138-0-13 | 3 | 308261-4-01 | 5 |
| 207973-0-01 | 3 | 302232-0-10 | 7 | 302813-4-10 | 13 | 304488-3-11 | 23 | 308051-0-01 | 7 | 308140-0-00 | 5 | 308269-0-00 | 9 |
| 300006-0-12 | 3 | 302234-0-20 | 7 | 302821-0-10 | 23 | 304559-0-00 | 10 | 308052-4-00 | 7 | 308142-0-01 | 5 | 308272-0-00 | 5 |
| 300119-0-11 | 23 | 302238-0-11 | 7 | 302840-0-10 | 13 | 304568-2-00 | 10 | 308054-0-01 | 7 | 308148-0-00 | 7 | 308273-0-00 | 5 |
| 300120-0-10 | 23 | 302260-4-11 | 8 | 302842-0-10 | 6 | 304569-2-00 | 10 | 308055-2-00 | 7 | 308149-0-01 | 4 | 308275-2-00 | 6 |
| 300209-0-10 | 5-6 | 302261-2-11 | 8 | 302844-3-10 | 13 | 304640-0-10 | 6 | 308057-0-10 | 7 | 308159-2-01 | 4 | 308276-0-20 | 6 |
| 300218-0-10 | 1 | 302276-0-10 | 5 | 302846-0-10 | 13 | 304662-0-10 | 3 | 308058-0-00 | 7 | 308161-0-00 | 4 | 308278-0-01 | 6 |
| 300228-0-10 | 6 | 302289-0-10 | 5 | 302851-2-10 | 22 | 304763-0-10 | 7 | 308059-0-01 | 7 | 308162-0-00 | 4 | 308281-0-00 | 6 |
| 300231-0-30 | 6 | 302292-0-10 | 8 | 302857-0-10 | 13 | 304767-2-11 | 7 | 308060-4-10 | 7 | 308166-0-00 | 4 | 308283-2-10 | 6 |
| 300310-0-10 | 2 | 302338-0-10 | 8 | 302859-0-10 | 13 | 305044-0-10 | 4 | 308061-0-01 | 7 | 308174-3-01 | 4 | 308285-2-02 | 6 |
| 300348-0-10 | 8 | 302344-0-10 | 7 | 302864-0-10 | 13 | 305194-0-00 | 5 | 308062-2-01 | 7 | 308178-4-01 | 4 | 308286-4-10 | 6 |
| 300351-0-11 | 5 | 302347-0-10 | 9 | 302869-0-10 | 13 | 305666-0-00 | 15 | 308067-0-01 | 9 | 308179-0-00 | 14 | 308287-0-00 | 6 |
| 300352-0-10 | 5 | 302352-0-10 | 8 | 302870-0-10 | 23 | 305670-2-00 | 13 | 308071-3-02 | 9 | 308180-2-01 | 15 | 308289-4-11 | 6 |
| 300361-0-20 | 6 | 302353-0-10 | 3 | 302871-0-00 | 23 | 305671-2-00 | 13 | 308072-2-10 | 9 | 308184-0-00 | 15 | 308292-4-00 | 5 |
| 300362-0-11 | 6 | 302354-0-20 | 3 | 302872-0-10 | 23 | 307754-0-00 | 6 | 308074-0-00 | 9 | 308185-0-00 | 15 | 308293-0-02 | 4 |

INDICE NUMERICO INDEX

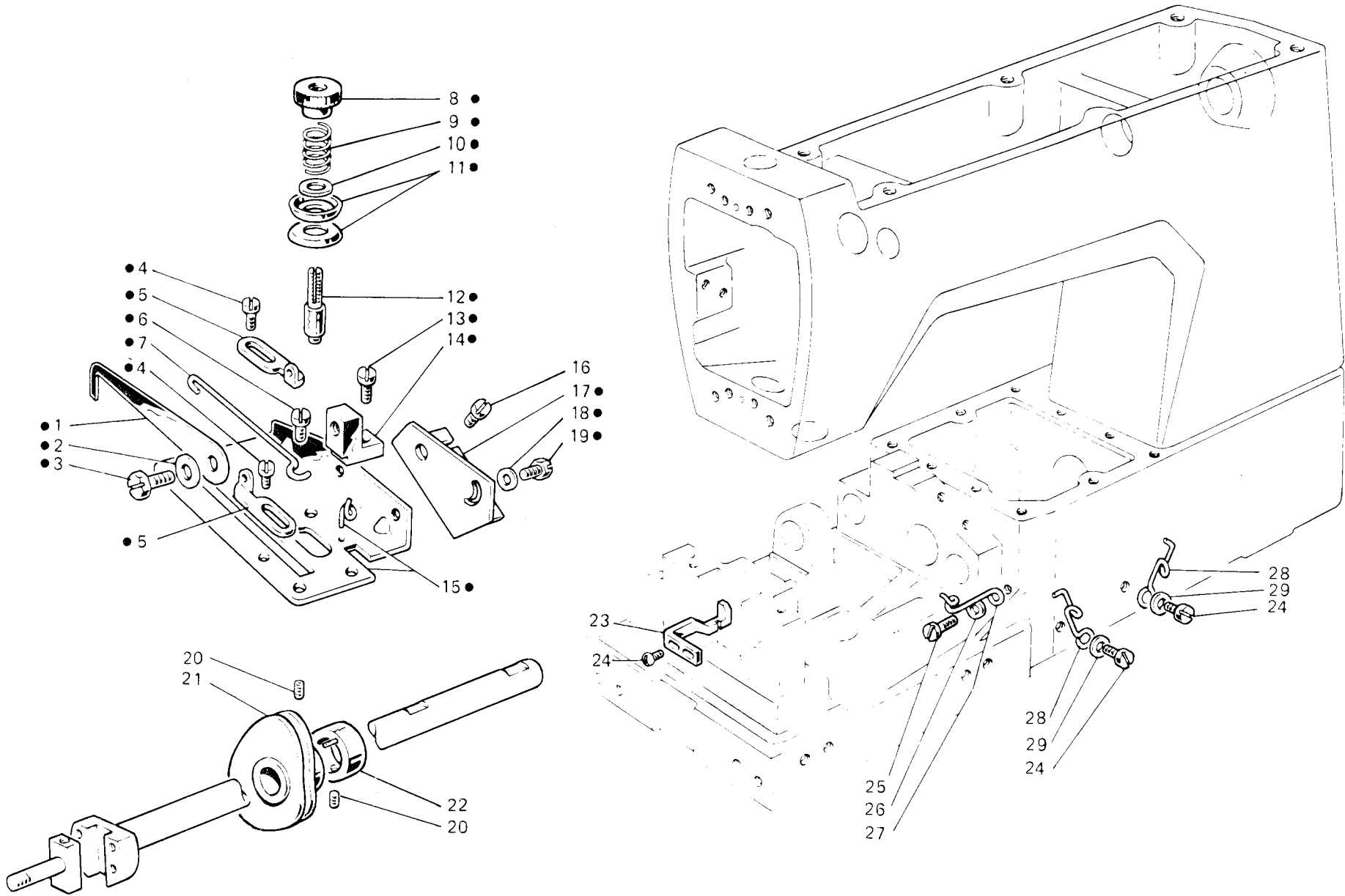
| Part. N. | Tav. N. | Part. N. | Tav. N. | Part. N. | Tav. N. | Part. N. | Tav. N. | Part. N. | Tav. N. | Part. N. | Tav. N. | Part. N. | Tav. N. |
|-------------|---------|-------------|---------|-------------|---------|-------------|---------|-------------|----------|-------------|-----------|-------------|---------|
| 308294-0-10 | 6 | 308774-2-00 | 6 | 309351-0-00 | 3 | 314169-0-00 | 9 | 704316-2-00 | 17 | 721475-2-00 | 4-13 | 730023-2-00 | 13 |
| 308296-0-00 | 6 | 308780-2-00 | 6 | 309360-0-00 | 3 | 314182-0-00 | 9 | 704345-2-00 | 17 | 721484-2-00 | 14 | 730032-2-00 | 4 |
| 308297-0-00 | 5 | 308783-2-00 | 3 | 309371-0-00 | 3 | 314183-0-00 | 4 | 704346-2-00 | 17 | 721485-2-00 | 5 | 730033-2-00 | 5-9 |
| 308310-0-00 | 5 | 308802-0-00 | 5 | 309372-0-00 | 3 | 314186-4-00 | 9 | 704347-2-00 | 6 | 721494-2-00 | 7-9-11-22 | 730054-2-00 | 4 |
| 308318-0-00 | 8 | 308851-2-01 | 4 | 309373-2-00 | 13 | 314187-2-00 | 9 | 704406-0-00 | 6 | 721514-0-00 | 11-15 | 731044-0-00 | 11 |
| 308320-4-10 | 7 | 308852-0-10 | 4 | 309380-4-01 | 13 | 314189-2-00 | 9 | 704409-2-00 | 17 | 721863-2-00 | 10 | 731107-2-00 | 11-20 |
| 308325-3-00 | 5 | 308853-0-02 | 4 | 309562-0-00 | 6-9 | 314193-4-00 | 9 | 704419-0-00 | 4-8 | 722063-2-00 | 14 | 731263-0-00 | 20 |
| 308326-2-01 | 5 | 308855-0-00 | 4-8 | 309750-2-00 | 22 | 314194-4-00 | 9 | 704536-0-00 | 19 | 722084-2-00 | 4 | 731506-2-00 | 18 |
| 308327-0-00 | 5 | 308858-0-00 | 4 | 309754-2-00 | 22 | 314195-4-00 | 9 | 704805-0-00 | 6 | 722143-0-00 | 19 | 733008-2-00 | 17 |
| 308330-3-00 | 5 | 308859-2-00 | 4 | 309755-2-00 | 22 | 314248-0-00 | 9 | 704813-0-00 | 15 | 722411-2-00 | 10-14 | 733104-0-00 | 11 |
| 308331-4-00 | 14 | 308860-0-00 | 9 | 309756-2-01 | 22 | 314250-3-00 | 4 | 704814-0-00 | 6 | 722422-2-00 | 4-8 | 733211-2-00 | 18 |
| 308332-4-00 | 5 | 308861-0-00 | 9 | 309770-0-00 | 22 | 700205-0-00 | 7 | 704819-0-00 | 10 | 722431-2-00 | 18 | 733505-2-00 | 10-11 |
| 308333-0-01 | 5 | 308862-0-01 | 9 | 309771-0-00 | 22 | 700208-0-00 | 17 | 704828-0-00 | 8 | 722433-2-00 | 10 | | 18-19 |
| 308340-4-00 | 5 | 308863-0-00 | 9 | 309803-4-00 | 22 | 700210-0-00 | 13 | 704835-0-00 | 9 | 722443-2-00 | 20 | 733507-0-00 | 15 |
| 308362-4-01 | 6 | 308864-4-01 | 9 | 309804-4-00 | 22 | 700596-0-00 | 4 | 704846-0-00 | 5-6 | 722453-2-00 | 14 | 733508-2-00 | 18 |
| 308379-0-00 | 14 | 308865-0-00 | 9 | 309805-4-00 | 22 | 701004-0-00 | 15 | 704849-0-00 | 5 | 722454-2-00 | 13 | 733806-2-00 | 18 |
| 308385-2-10 | 4 | 308867-4-01 | 9 | 309806-4-01 | 22 | 701009-0-00 | 5 | 704852-0-00 | 9 | 722472-2-00 | 4 | 733813-0-00 | 17-19 |
| 308389-0-00 | 4 | 308868-2-00 | 9 | 309831-2-00 | 4 | 701032-0-00 | 15 | 704869-0-00 | 4 | 722905-2-00 | 17 | 734001-2-00 | 10 |
| 308412-2-02 | 7 | 308869-0-00 | 9 | 309838-2-01 | 6 | 701051-0-00 | 14 | 705201-0-00 | 2 | 724420-2-00 | 1 | 740034-0-00 | 7 |
| 308452-2-00 | 1 | 308874-0-00 | 9 | 309839-2-01 | 6 | 701134-0-00 | 14 | 705208-0-00 | 8-9 | 724441-0-00 | 6 | 740210-2-00 | 2 |
| 308462-0-00 | 4 | 308890-0-00 | 1 | 310040-4-00 | 22 | 701405-0-00 | 1 | 705734-0-00 | 5 | 727014-2-00 | 10 | 740220-2-00 | 2-10 |
| 308495-2-01 | 1 | 308934-4-00 | 2 | 310043-4-00 | 22 | 702403-0-00 | 5 | 705834-0-00 | 5 | 727056-0-00 | 13 | 740226-0-00 | 5-9 |
| 308501-0-01 | 1 | 308957-0-00 | 14 | 310353-4-00 | 5 | 702415-0-00 | 20 | 705970-0-00 | 3 | 727082-0-00 | 10 | 740236-0-00 | 9 |
| 308502-0-00 | 1 | 308967-2-01 | 2 | 310500-4-00 | 15 | 703003-0-00 | 14 | 705977-0-00 | 14 | 727215-0-00 | 2-5-6 | 740240-0-00 | 14 |
| 308503-0-01 | 1 | 308971-3-00 | 2 | 310561-2-00 | 15 | 703005-0-00 | 8-9-18 | 706434-0-00 | 6 | 727654-0-00 | 9 | 740243-2-00 | 6 |
| 308504-0-00 | 1 | 308996-0-03 | 7 | 311098-0-00 | 2 | 703208-0-00 | 13 | 706454-0-00 | 4 | 727834-2-00 | 1 | 740244-0-00 | 10 |
| 308505-0-00 | 1 | 309042-2-00 | 3 | 311343-2-00 | 6 | 703305-0-00 | 11-19 | 707240-0-00 | 7 | 728232-0-00 | 6 | 740257-2-00 | 6 |
| 308506-0-00 | 1 | 309059-4-00 | 3 | 311395-0-00 | 14 | 703810-0-00 | 5 | 707241-0-00 | 7 | 729011-2-00 | 5-9-10 | 740444-2-00 | 7 |
| 308507-0-00 | 1 | 309084-0-00 | 3 | 312810-3-01 | 5 | 703825-0-00 | 13 | 707283-0-00 | 10 | 729012-2-00 | 1 | 740475-2-00 | 6 |
| 308512-0-00 | 1 | 309086-0-01 | 3 | 313375-0-01 | 1 | 704010-2-00 | 20 | 707518-0-00 | 3 | 729013-2-00 | 4-6-13 | 740632-2-00 | 7 |
| 308518-4-00 | 1 | 309088-0-01 | 3 | 313587-0-00 | 9 | 704104-2-00 | 2-11 | 707536-0-00 | 3 | 729022-2-00 | 9-10 | 741082-2-00 | 15 |
| 308521-4-00 | 1 | 309126-3-00 | 3 | 313588-0-00 | 9 | 704106-2-00 | 10-11 | 707556-0-00 | 3 | 729024-2-00 | 20 | 741088-2-00 | 3-4 |
| 308528-4-00 | 1 | 309139-4-00 | 3 | 313624-0-00 | 7 | 704206-2-00 | 20 | 720411-2-00 | 3 | 729032-2-00 | 15 | 741092-0-00 | 15 |
| 308551-0-00 | 2 | 309155-0-00 | 3 | 314160-2-00 | 9 | 704210-4-00 | 2-8 | 720526-0-00 | 19 | 729034-2-00 | 7-18 | 741403-0-00 | 10 |
| 308553-2-00 | 2 | 309205-3-00 | 3 | 314162-2-01 | 9 | 704218-2-00 | 2-5 | 721411-2-00 | 23 | 729042-2-00 | 10 | 741413-2-00 | 2-9-23 |
| 308556-0-00 | 2 | 309229-0-00 | 3 | 314163-2-00 | 9 | 704226-2-00 | 5 | 721412-2-00 | 10-11-13 | 729043-2-00 | 19 | 741414-2-00 | 23 |
| 308558-0-00 | 2 | 309249-0-00 | 3 | 314164-2-00 | 9 | 704236-2-00 | 7 | 721424-2-00 | 15 | 729044-2-00 | 4 | 741546-2-00 | 6 |
| 308577-2-20 | 14 | 309302-2-00 | 3 | 314165-2-00 | 9 | 704240-2-00 | 7 | 721434-2-00 | 22 | 729051-2-00 | 9 | 741559-2-00 | 4 |
| 308589-4-10 | 14 | 309323-0-00 | 3 | 314166-2-00 | 4 | 704302-4-00 | 2 | 721443-2-00 | 5-22 | 729054-2-00 | 11-20 | 741611-2-00 | 22 |
| 308751-0-00 | 9 | 309324-2-10 | 3 | 314167-2-00 | 9 | 704306-2-00 | 3 | 721444-2-00 | 1-2-3-6 | 729434-2-00 | 5 | 741612-2-00 | 2 |
| 308762-2-00 | 13 | 309332-0-00 | 3 | 314168-0-00 | 4 | 704309-4-00 | 5-9 | 721474-2-00 | 3-11-22 | 729904-2-00 | 7 | 741642-2-00 | 2-13 |

INDICE NUMERICO INDEX

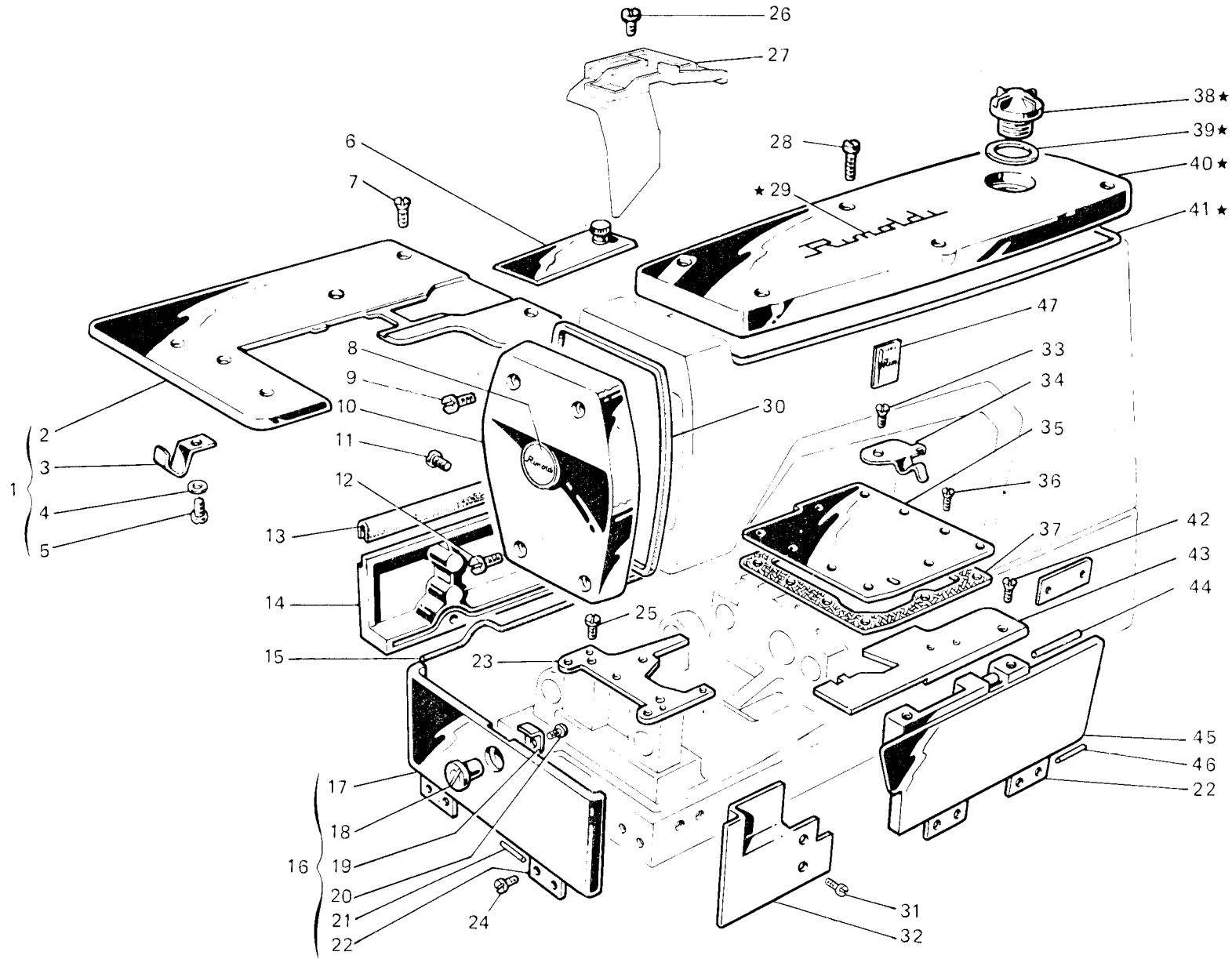
| Part. N. | Tav. N. | Part. N. | Tav. N. | Part. N. | Tav. N. | Part. N. | Tav. N. | Part. N. | Tav. N. | Part. N. | Tav. N. | Part. N. | Tav. N. |
|-------------|---------|-------------|----------|-------------|---------|-------------|---------|-------------|---------|----------|---------|----------|---------|
| 741658-2-00 | 3-9 | 746406-2-00 | 6 | 923010-0-10 | 10 | 930281-0-11 | 20 | 991134-0-00 | 18 | | | | |
| 741675-2-00 | 5-11 | 746408-2-00 | 4-8 | 923302-0-10 | 10 | 930427-3-10 | 20 | 991153-2-00 | 20 | | | | |
| 741682-0-00 | 2 | 746409-2-00 | 17 | 924235-0-01 | 4 | 930428-4-10 | 20 | 991172-0-00 | 18 | | | | |
| 741721-2-00 | 23 | 746612-2-00 | 6 | 925122-0-00 | 11 | 930819-2-00 | 20 | 991174-0-00 | 18 | | | | |
| 741724-0-00 | 9 | 766000-1-80 | 22 | 925433-0-00 | 18 | 930820-4-00 | 20 | 991179-0-01 | 18 | | | | |
| 741925-2-00 | 3 | 778202-0-00 | 9 | 925651-0-00 | 11 | 930821-2-00 | 20 | 991194-4-00 | 18 | | | | |
| 741928-0-00 | 6 | 778203-0-00 | 8 | 927385-0-00 | 12 | 930824-0-00 | 20 | 991199-0-00 | 18 | | | | |
| 741936-2-00 | 3 | 778204-0-00 | 9 | 927387-0-00 | 12 | 940431-0-00 | 11 | 991206-0-00 | 18 | | | | |
| 742222-2-00 | 4 | 778205-0-00 | 9 | 927458-4-10 | 11 | 941396-0-00 | 11 | 991247-2-00 | 18 | | | | |
| 742282-2-00 | 3 | 778208-0-00 | 9 | 927486-0-00 | 12 | 944634-0-00 | 11 | 991250-0-00 | 17 | | | | |
| 742311-2-00 | 1 | 778237-0-00 | 9 | 927490-2-00 | 11 | 990069-0-00 | 16 | 991251-4-00 | 17 | | | | |
| 742423-0-00 | 5 | 778238-0-00 | 5-6 | 929420-4-01 | 10 | 990175-0-10 | 16 | 991253-4-00 | 17 | | | | |
| 742811-0-00 | 6-10 | 778406-0-00 | 9 | 929422-0-00 | 10 | 990176-0-10 | 16 | 991255-0-00 | 17 | | | | |
| 742813-0-00 | 6 | 778407-0-00 | 8-9 | 929423-0-00 | 10 | 990179-4-11 | 17 | 991256-0-00 | 17 | | | | |
| 743134-2-00 | 23 | 778414-0-00 | 6 | 929424-0-00 | 10 | 990188-0-10 | 16 | 991257-0-00 | 17 | | | | |
| 743243-2-00 | 13 | 778502-0-00 | 9 | 929425-2-01 | 10 | 990193-0-00 | 16 | 991259-3-00 | 17 | | | | |
| 743541-2-00 | 17 | 778707-0-00 | 9 | 929427-0-00 | 10 | 990213-0-10 | 20 | 991264-2-00 | 18 | | | | |
| 744040-2-00 | 5 | 778827-0-00 | 5 | 929430-4-00 | 19 | 990214-4-11 | 20 | 991268-0-00 | 18 | | | | |
| 744636-2-00 | 3 | 788020-0-01 | 3 | 929431-0-00 | 10 | 990317-0-10 | 17 | 991269-2-00 | 18 | | | | |
| 744676-2-00 | 1-3-5 | 790242-0-00 | 15 | 929433-0-00 | 4 | 990474-0-11 | 16 | 991279-2-00 | 18 | | | | |
| 744730-2-00 | 22 | 790315-0-00 | 15 | 929434-0-00 | 4 | 990578-0-13 | 16 | 991280-0-00 | 16 | | | | |
| 745001-2-00 | 8 | 790325-0-00 | 15 | 929436-0-00 | 10 | 990587-0-11 | 16 | 991408-4-02 | 16 | | | | |
| 745002-0-00 | 10 | 790342-0-00 | 15 | 929437-0-00 | 10 | 990592-0-11 | 20 | 991415-0-00 | 16 | | | | |
| 745114-0-00 | 13 | 900201-0-10 | 17 | 929438-0-00 | 10 | 990609-0-10 | 20 | | | | | | |
| 745124-0-00 | 9 | 900203-0-10 | 17 | 929439-0-00 | 10 | 990610-0-10 | 20 | | | | | | |
| 745126-2-00 | 1 | 901101-0-00 | 17 | 929443-0-00 | 11 | 990613-0-10 | 20 | | | | | | |
| 745136-2-00 | 6 | 901102-0-00 | 17 | 929444-4-11 | 11-12 | 990614-0-10 | 20 | | | | | | |
| 745421-0-00 | 9 | 902663-0-00 | 19 | 929445-0-11 | 11 | 990615-0-10 | 20 | | | | | | |
| 745800-2-00 | 8-9 | 902668-0-00 | 19 | 929448-0-00 | 10 | 990626-0-10 | 20 | | | | | | |
| 745810-2-00 | 22 | 910044-0-10 | 11 | 929453-0-00 | 10 | 990628-2-10 | 20 | | | | | | |
| 745812-2-00 | 4-7-8 | 910442-0-00 | 11 | 929462-4-01 | 10 | 990629-4-12 | 20 | | | | | | |
| | 9-10 | 920258-0-10 | 10-11-19 | 930067-0-10 | 20 | 990675-0-10 | 17 | | | | | | |
| 745815-2-00 | 5-6 | 920278-0-10 | 11 | 930072-2-10 | 20 | 990694-0-11 | 17 | | | | | | |
| 745827-2-00 | 4-7 | 920472-4-00 | 19 | 930075-0-10 | 20 | 990723-0-00 | 16 | | | | | | |
| 746002-2-00 | 10 | 920473-0-00 | 19 | 930079-4-10 | 20 | 990982-0-00 | 17 | | | | | | |
| 746007-2-00 | 9 | 920474-0-00 | 19 | 930081-0-10 | 20 | 991108-2-01 | 18 | | | | | | |
| 746008-0-00 | 8-9 | 920485-2-10 | 19 | 930090-2-11 | 20 | 991111-2-00 | 18 | | | | | | |
| 746021-2-00 | 22 | 920488-2-10 | 19 | 930094-0-10 | 20 | 991112-0-00 | 18 | | | | | | |
| 746204-2-00 | 7-13 | 920490-0-10 | 19 | 930096-0-10 | 20 | 991114-2-00 | 11-20 | | | | | | |
| 746209-2-00 | 20 | 920492-0-00 | 19 | 930105-0-10 | 20 | 991120-5-01 | 18 | | | | | | |
| 746404-2-00 | 6 | 921036-0-10 | 12 | 930136-0-10 | 20 | 991126-0-10 | 18 | | | | | | |



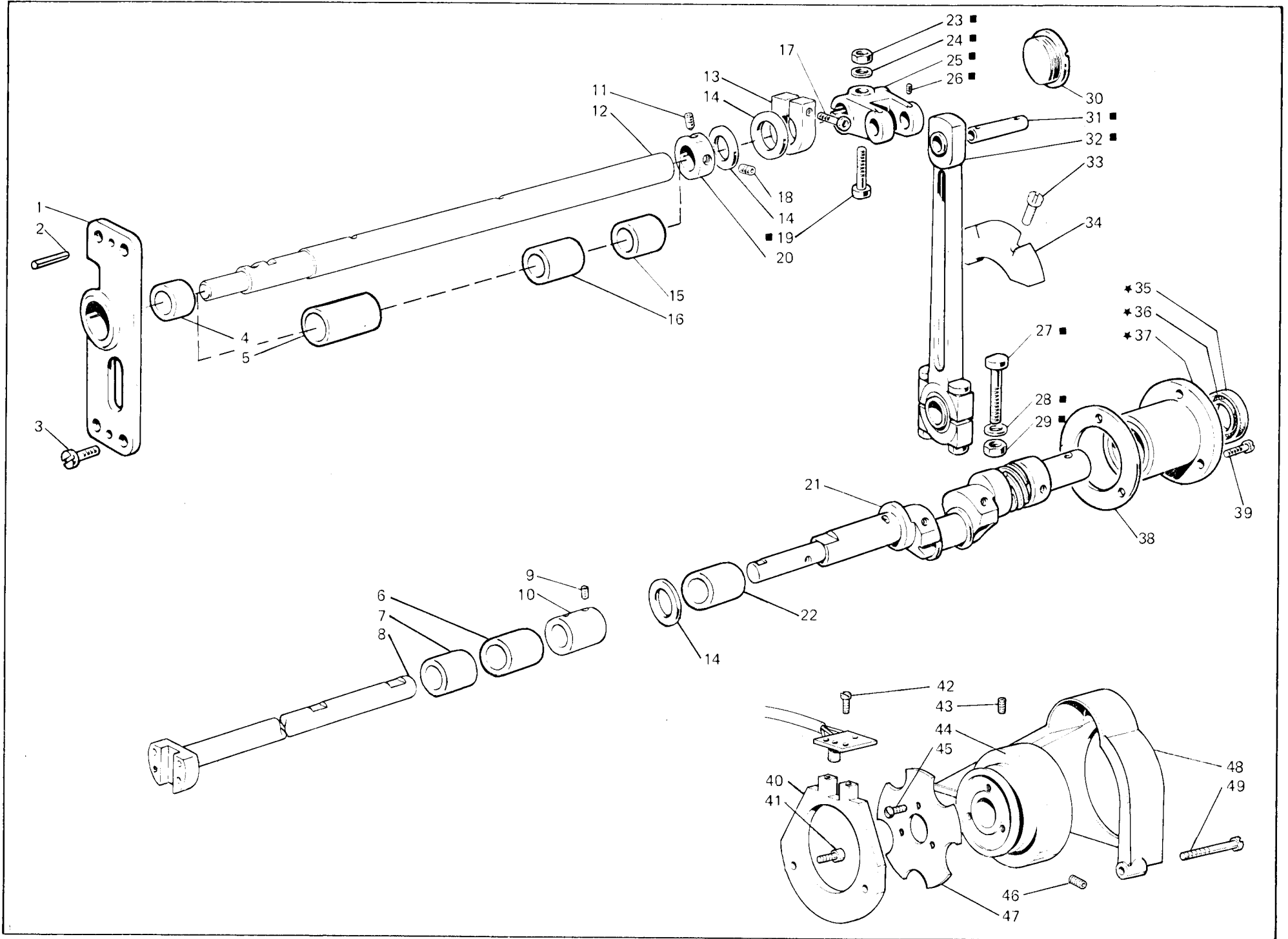
| Fig. N. Abb. N. | Part. N. Piec. N. Bestell N. Pieza N. | Qt. Anzahl | DESCRIZIONE | DESCRIPTION | DESCRIPTION |
|--------------------|------------------------------------------------|---------------|--------------------------------|---------------------------------|--------------------------------|
| ★ | 308528-4-00 | 1 | gruppo tensioni (2 aghi) | tension assembly (2 needles) | groupe tension (2 aiguilles) |
| 1 | 308452-2-00 | 1 | tendifilo superiore | upper thread take-up | tendeur du fil supérieur |
| 2 | 742311-2-00 | 1 | vite | screw | vis |
| 3 | 729012-2-00 | 3 | vite | screw | vis |
| 4 | 308039-0-01 | 1 | vite | screw | vis |
| 5 | 308239-0-00 | 1 | tendifilo inferiore | lower thread take-up | tendeur du fil inférieur |
| 6 | 308137-0-00 | 1 | cavallotto | coupling | cavalier |
| 7 | 724420-2-00 | 1 | vite | screw | vis |
| 8 | 308890-0-00 | 1 | passafilo | thread guide | passe-fil |
| 9 | 303045-0-10 | 3 | vite | screw | vis |
| 10 | 308203-0-01 | 3 | guidafilo | thread guide | guide-fil |
| 11 | 302136-0-12 | 1 | passafilo | thread guide | passe-fil |
| 12 | 313375-0-01 | 1 | protezione tendifilo superiore | upper thread take-up protection | protection tendeur du fil sup. |
| 13 | 745126-2-00 | 1 | vite | screw | vis |
| 14 | 308107-0-01 | 1 | protezione tendifilo inferiore | lower thread take-up protection | protection tendeur du fil inf. |
| 15 | 721444-2-00 | 2 | vite | screw | vis |
| 16 | 727834-2-00 | 1 | vite | screw | vis |
| 17 | 308495-2-01 | 1 | leva sblocca tensione | lever | levier |
| 18 | 308512-0-00 | 2 | distanziale | spacer | entretoise |
| 19 | 308502-0-00 | 1 | slitta per tensione | slide | glissière |
| 20 | 701405-0-00 | 2 | anello | ring | anneau |
| 21 | 308504-0-00 | 1 | supporto | support | support |
| 22 | 308506-0-00 | 3 | permetto | pin | pivot |
| 23 | 308501-0-01 | 3 | passafilo | thread guide | passe-fil |
| 24 | 308503-0-01 | 3 | guidafilo | thread guide | guide-fil |
| 25 | 744676-0-00 | 2 | vite | screw | vis |
| 26 | 308505-0-00 | 3 | perno a vite | threaded pin | pivot à vis |
| 27 | 300218-0-10 | 6 | disco tensione | tension disc | disque tension |
| 28 | 308507-0-00 | 3 | rondella | washer | rondelle |
| 29 | 202556-0-01 | 3 | scodellino | cup | cuvette |
| 30 | 200710-0-10 | 2 | molla \varnothing 0,9 mm. | spring \varnothing 0,9 mm. | ressort \varnothing 0,9 mm |
| 31 | 202229-0-10 | 3 | bussola superiore | upper bush | bague supérieur |
| 32 | 202558-2-01 | 3 | pomoio | knob | pommeau |
| 33 | 308518-4-00 | 2 | tensione superiore completa | upper tension ass. | tension supérieur compl. |
| 34 | 200714-0-10 | 1 | molla \varnothing 0,5 mm. | spring \varnothing 0,5 mm. | ressort \varnothing 0,5 mm. |
| 35 | 308521-4-00 | 1 | tensione inferiore completa | lower tension assembly | tension inférieur complet |



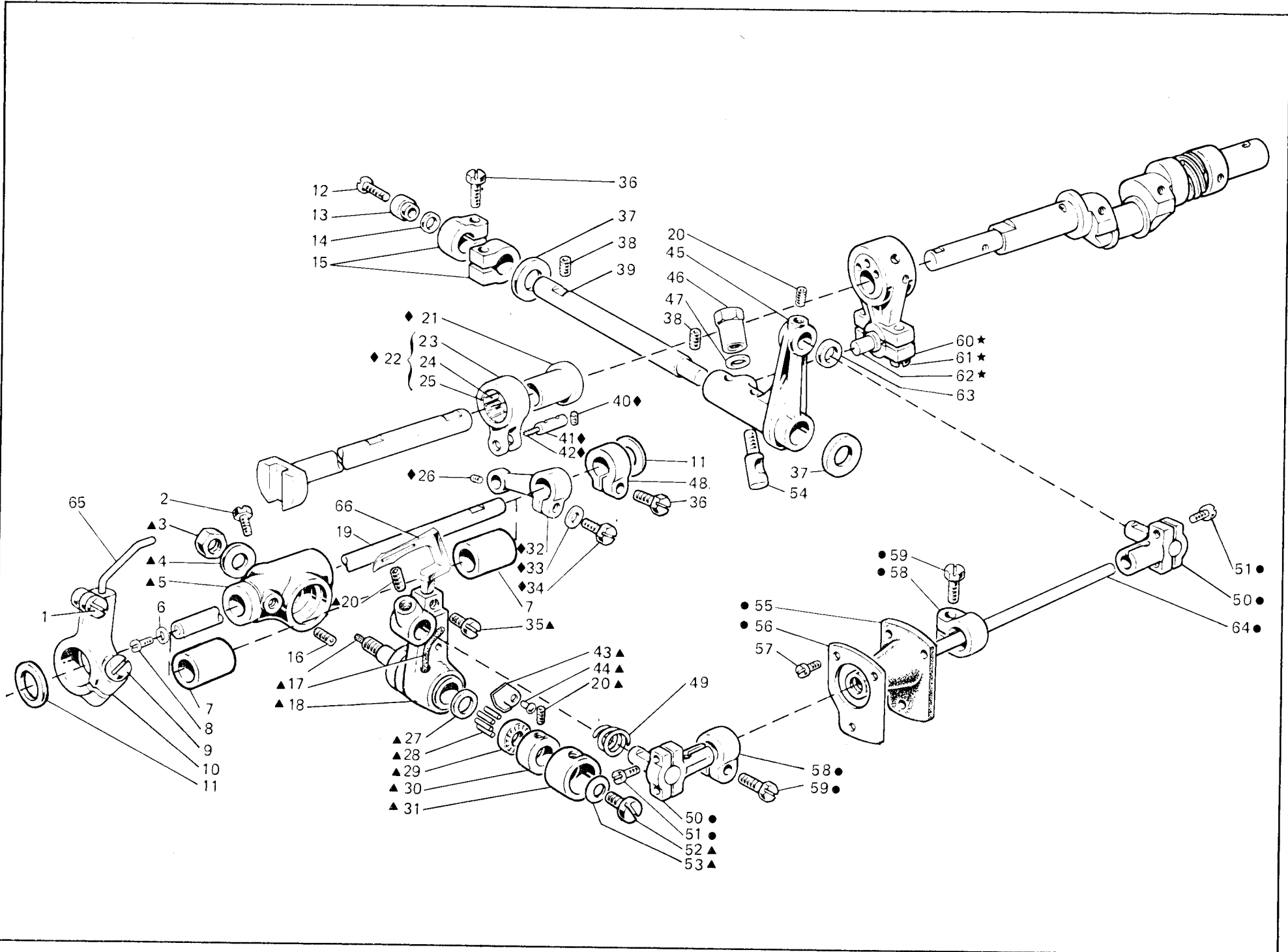
| Fig. N. Abb. N. | Part. N. Piece N. Bestell N. Pieza N. | Qt. Anzahl | DESCRIZIONE | DESCRIPTION | DESCRIPTION |
|--------------------|------------------------------------------------|---------------|------------------------------|-------------------------------|-----------------------------|
| ● | 308934-4-00 | 1 | gruppo tensione crochet inf. | lower looper tension assembly | groupe tension crochet inf. |
| 1 | 308556-0-00 | 1 | astina | rod | tige |
| 2 | 705201-0-00 | 1 | rosetta | washer | rondelle |
| 3 | 740220-2-00 | 1 | vite | screw | vis |
| 4 | 741413-2-00 | 2 | vite | screw | vis |
| 5 | 302172-0-10 | 2 | passafilo | thread guide | passe-fil |
| 6 | 741612-2-00 | 1 | vite | screw | vis |
| 7 | 308558-0-00 | 1 | traversino | tie | traverse |
| 8 | 302204-0-10 | 1 | pomolo | knob | pommeau |
| 9 | 300310-0-10 | 1 | molla | spring | ressort |
| 10 | 704218-2-00 | 1 | rosetta | washer | rondelle |
| 11 | 200324-0-10 | 2 | dischi tensione | tension disc | disque tension |
| 12 | 300391-0-10 | 1 | perno a vite | threaded pin | pivot à vis |
| 13 | 741642-2-00 | 1 | vite | screw | vis |
| 14 | 302168-2-10 | 1 | supporto | support | support |
| 15 | 308553-2-00 | 1 | piastra porta tensioni | plate | plaque |
| 16 | 721444-2-00 | 2 | vite | screw | vis |
| 17 | 308551-0-00 | 1 | squadretta | bracket | équerre |
| 18 | 704104-2-00 | 2 | rosetta | washer | rondelle |
| 19 | 740210-2-00 | 2 | vite | screw | vis |
| 20 | 727215-0-00 | 2 | vite | screw | vis |
| 21 | 308971-3-00 | 1 | tendifilo a camma con viti | cam thread take-up | tendeur du fil à came |
| 22 | 308967-2-01 | 1 | anello limitatore | limiter ring | anneau limiteur |
| 23 | 302064-0-10 | 1 | salva ago | rear needle guard | protège-aiguille |
| 24 | 300483-0-10 | 4 | vite | screw | vis |
| 25 | 741682-0-00 | 1 | vite | screw | vis |
| 26 | 704302-4-00 | 1 | rosetta | washer | rondelle |
| 27 | 302149-0-11 | 1 | passafilo | thread guide | passe-fil |
| 28 | 311098-0-00 | 2 | passafilo | thread guide | passe-fil |
| 29 | 704210-4-00 | 2 | rosetta | washer | rondelle |



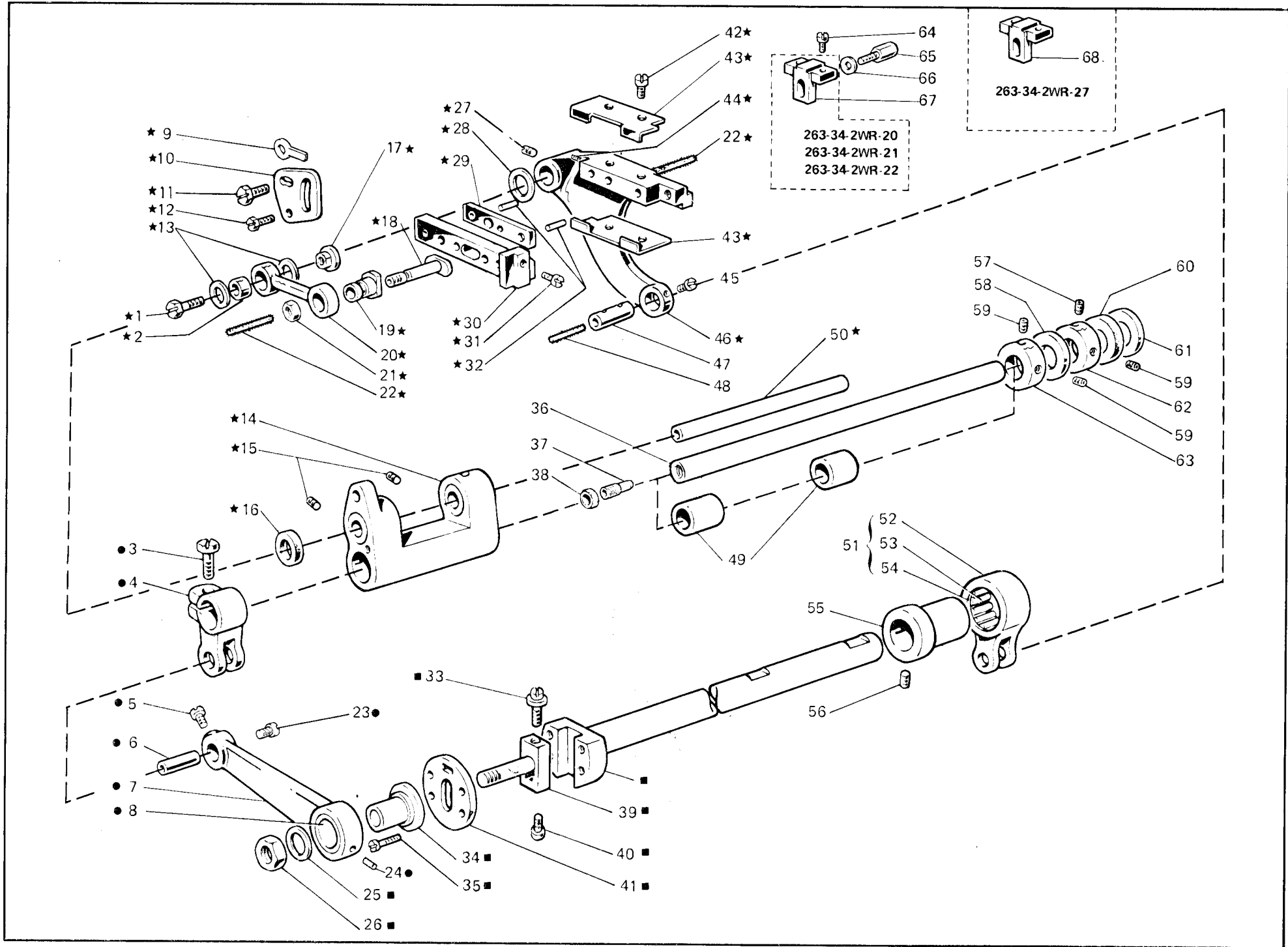
| Fig. N. Abb. N. | Part. N. Piece N. Bestell N. Pieza N. | Qt. Anzahl | DESCRIZIONE | DESCRIPTION | DESCRIPTION |
|--------------------|------------------------------------------------|---------------|---------------------------------------------|--------------------------|-------------------------------------------------|
| ★ | 308103-4-10 | 1 | coperchio superiore compl. | upper cover assembly | couvercle supérieur compl. |
| 1 | 309059-4-00 | 1 | piano di lavoro compl. | working plate assembly | plan de travail complet |
| 2 | 309042-2-00 | 1 | piano di lavoro | working plate | plan de travail |
| 3 | 309351-0-00 | 1 | molla | spring | ressort |
| 4 | 704306-2-00 | 1 | rondella | washer | rondelle |
| 5 | 720411-2-00 | 1 | vite | screw | vis |
| 6 | 309302-2-00 | 1 | coperchio scorrevole | sliding cover | couvercle coulissant |
| 7 | 744636-2-00 | 5 | vite | screw | vis |
| 8 | 304662-0-10 | 1 | targhetta | plate | plaque |
| 9 | 302354-0-20 | 2 | vite superiore | upper screw | vis supérieur |
| 10 | 308101-2-00 | 1 | coperchio laterale | side cover | couvercle latéral |
| 11 | 741088-2-00 | 3 | vite per carter posteriore | screw for rear cover | vis pour carter arrière |
| 12 | 302353-0-10 | 2 | vite inferiore | lower screw | vis inférieur |
| 13 | 309088-0-01 | 1 | guarnizione | gasket | garniture |
| 14 | 309086-0-01 | 1 | carter posteriore | rear cover | carter arrière |
| 15 | 309084-0-00 | 1 | guarnizione | gasket | garniture |
| 16 | 309139-4-00 | 1 | carter laterale completo | side cover assembly | carter latéral complet |
| 17 | 309126-3-00 | 1 | carter laterale | side cover | carter latéral |
| 18 | 309372-0-00 | 1 | perno | pin | pivot |
| 19 | 309371-0-00 | 1 | chiavistello | key | clé |
| 20 | 741658-2-00 | 1 | vite | screw | vis |
| 21 | 707556-0-00 | 2 | spina elastica | split pin | goupille réglable |
| 22 | 309332-0-00 | 4 | cerniera destra | right hinge | charnière droite |
| 23 | 308783-2-00 | 1 | piastra porta placca | plate | plaque |
| 24 | 300483-0-10 | 8 | vite per cerniera | screw for hinge | vis pour charnière |
| 25 | 302355-0-10 | 2 | vite per piastra | screw for plate | vis pour plaque |
| 26 | 721444-2-00 | 1 | vite | screw | vis |
| 27 | 308138-0-13 | 1 | carter paraolio | oil retainer cover | carter pare-huile |
| 28 | 742282-2-00 | 6 | vite per coperchio | screw for cover | vis pour couvercle |
| 29 | 300006-0-12 | 2 | decalcomania | decal | décalcomanie |
| 30 | 308128-0-01 | 1 | guarnizione coperchio | cover gasket | garniture couvercle |
| 31 | 741925-2-00 | 2 | vite | screw | vis |
| 32 | 309155-0-00 | 1 | semicarter anteriore sinistro | left front cover | carter avant gauche |
| 33 | 721474-2-00 | 1 | vite | screw | vis |
| 34 | 309360-0-00 | 1 | molla chiusura carter | spring | ressort |
| 35 | 309324-2-10 | 1 | piastra superiore | upper plate | plaque supérieur |
| 36 | 741936-2-00 | 9 | vite per piastra | screw for plate | vis pour plaque |
| 37 | 309323-0-00 | 1 | guarnizione | gasket | garniture |
| 38 | 207973-0-01 | 1 | cupolina | cup | cupille |
| 39 | 705970-0-00 | 1 | guarnizione per cupolina | gasket | garniture |
| 40 | 308102-0-00 | 1 | coperchio superiore | upper cover | couvercle supérieur |
| 41 | 308129-0-01 | 1 | guarnizione per coperchio | gasket for cover | garniture pour couvercle |
| 42 | 744676-2-00 | 2 | vite | screw | vis |
| 43 | 309229-0-00 | 1 | piastra piano di lavoro | working plate | plaque plan de travail |
| 44 | 707518-0-00 | 1 | spina elastica | split pin | goupille réglable |
| 45 | 309205-3-00 | 1 | carter anteriore | front cover | carter avant |
| 46 | 707536-0-00 | 2 | spina elastica | split pin | goupille réglable |
| 47 | 788020-0-01 | 1 | decalcomania | decal | décalcomanie |
| 43 | 309249-0-00 | 1 | SOLO A RICHIESTA piastra piano di lavoro | ONLY ON REQUEST plate | SEULEMENT SUR DEMANDE plaque plan de travail |



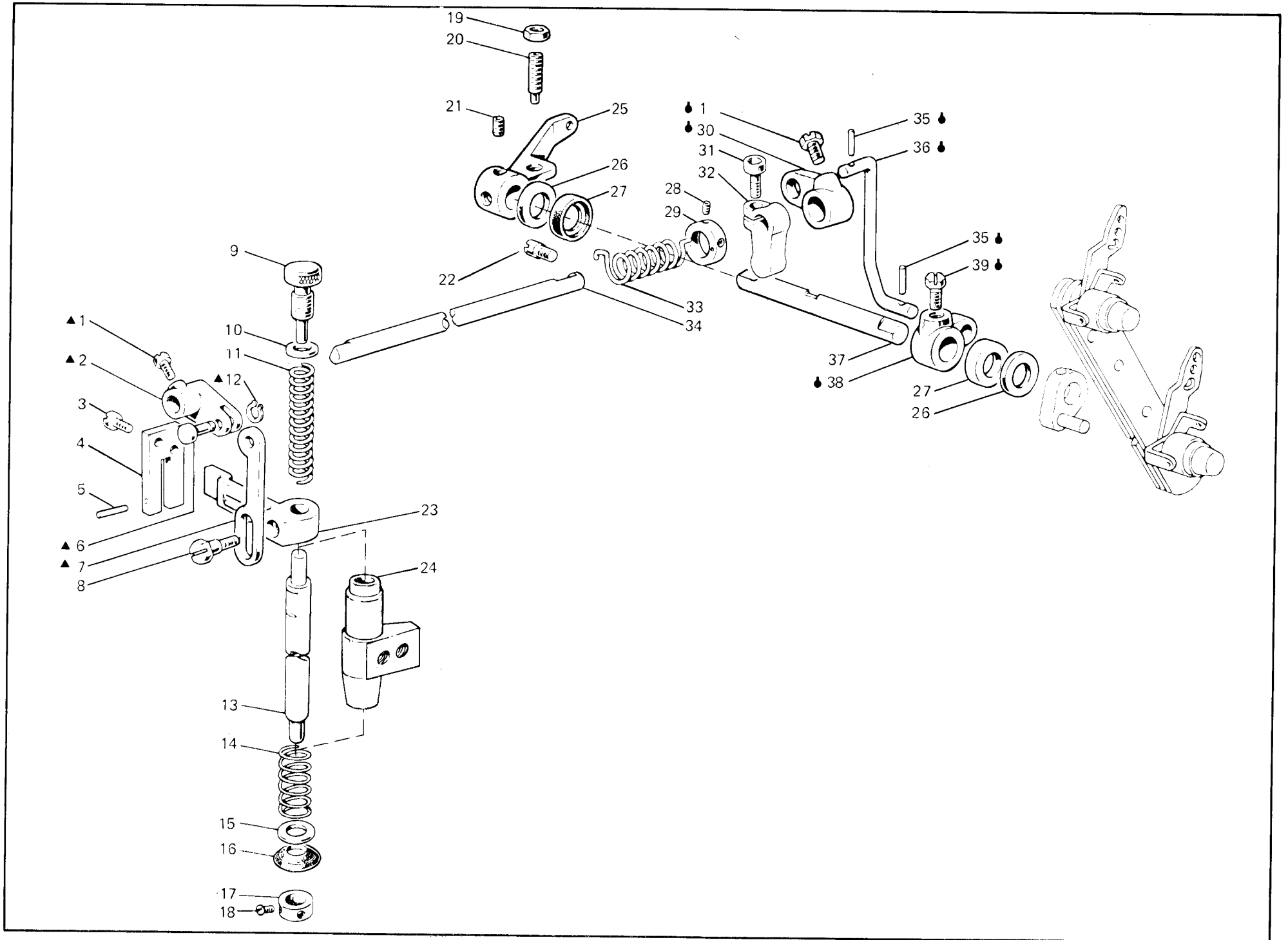
| Fig. N. Abb. N. | Part. N. Piece N. Bestell N. Pieza N. | Qt. Anzahl | DESCRIZIONE | DESCRIPTION | DESCRIPTION |
|--------------------|------------------------------------------------|---------------|-----------------------------|-------------------------|-----------------------------|
| ■ | 308178-4-01 | 1 | gruppo biella principale | main con-rod assembly | groupe bielle principale |
| ★ | 308013-4-02 | 1 | bussola destra completa | right bush assembly | bague droite complète |
| 1 | 308859-2-00 | 1 | supporto con bussola rif. 5 | support and bush rif. 5 | support avec bague rif. 5 |
| 2 | 706454-0-00 | 2 | spina | pin | goupille |
| 3 | 722084-2-00 | 4 | vite | screw | vis |
| 4 | 308858-0-00 | 1 | bussola | bush | bague |
| 5 | 308852-0-10 | 1 | bussola | bush | bague |
| 6 | 308009-0-10 | 1 | bussola | bush | bague |
| 7 | 308293-0-02 | 1 | bussola | bush | bague |
| 8 | 308385-2-10 | 1 | semialbero inf. sinistro | left lower half-shaft | semi-arbre inférieur gauche |
| 9 | 745827-2-00 | 4 | vite per manicotto | screw | vis |
| 10 | 308015-0-00 | 1 | manicotto | coupling | manchon |
| 11 | 730032-2-00 | 1 | vite | screw | vis |
| 12 | 308851-2-01 | 1 | albero superiore | upper shaft | arbre supérieur |
| 13 | 314166-2-00 | 1 | fascetta con vite | clamp | bride |
| 14 | 704869-0-00 | 3 | rondella | washer | rondelle |
| 15 | 314183-0-00 | 1 | bussola | bush | bague |
| 16 | 308853-0-02 | 1 | bussola | bush | bague |
| 17 | 722472-2-00 | 1 | vite | screw | vis |
| 18 | 729013-2-00 | 1 | vite | screw | vis |
| 19 | 308855-0-00 | 1 | vite | screw | vis |
| 20 | 309831-2-00 | 1 | anello di registro | adjustment ring | anneau d'étanchéité |
| 21 | 314250-3-00 | 1 | semialbero inf. destro | right lower half-shaft | semi-arbre inférieur droite |
| 22 | 308086-0-11 | 1 | bussola | bush | bague |
| 23 | 746408-2-00 | 1 | dado | nut | écrou |
| 24 | 704419-0-00 | 1 | rondella | washer | rondelle |
| 25 | 308159-2-01 | 1 | manovella | crank | manivelle |
| 26 | 745812-2-00 | 2 | vite | screw | vis |
| 27 | 308161-0-00 | 2 | vite | screw | vis |
| 28 | 308149-0-01 | 2 | rondella | washer | rondelle |
| 29 | 308162-0-00 | 2 | dado | nut | écrou |
| 30 | 302356-0-10 | 1 | tappo | plug | bouchon |
| 31 | 308166-0-00 | 1 | perno | pin | pivot |
| 32 | 308174-3-01 | 1 | biella principale completa | main con-rod assembly | bielle principale complète |
| 33 | 741088-2-00 | 4 | vite | screw | vis |
| 34 | 314168-0-00 | 2 | contrappeso | counterweight | contrepoids |
| 35 | 700596-0-00 | 1 | anello di tenuta | retainer ring | anneau d'étanchéité |
| 36 | 308389-0-00 | 1 | anello elastico | spring ring | anneau élastique |
| 37 | 308012-2-10 | 1 | bussola | bush | bague |
| 38 | 308127-0-00 | 1 | guarnizione | gasket | garniture |
| 39 | 742222-2-00 | 3 | vite | screw | vis |
| 40 | 929434-0-00 | 1 | flangia | flange | flasque |
| 41 | 722422-2-00 | 2 | vite | screw | vis |
| 42 | 741559-2-00 | 2 | vite | screw | vis |
| 43 | 730054-2-00 | 1 | vite | screw | vis |
| 44 | 924235-0-01 | 1 | puleggia | pulley | poulie |
| 45 | 305044-0-10 | 3 | vite | screw | vis |
| 46 | 729044-2-00 | 1 | vite | screw | vis |
| 47 | 929433-0-00 | 1 | disco | disc | disque |
| 48 | 308462-0-00 | 1 | carter paracinghia | cover | carter |
| 49 | 721475-2-00 | 2 | vite | screw | vis |



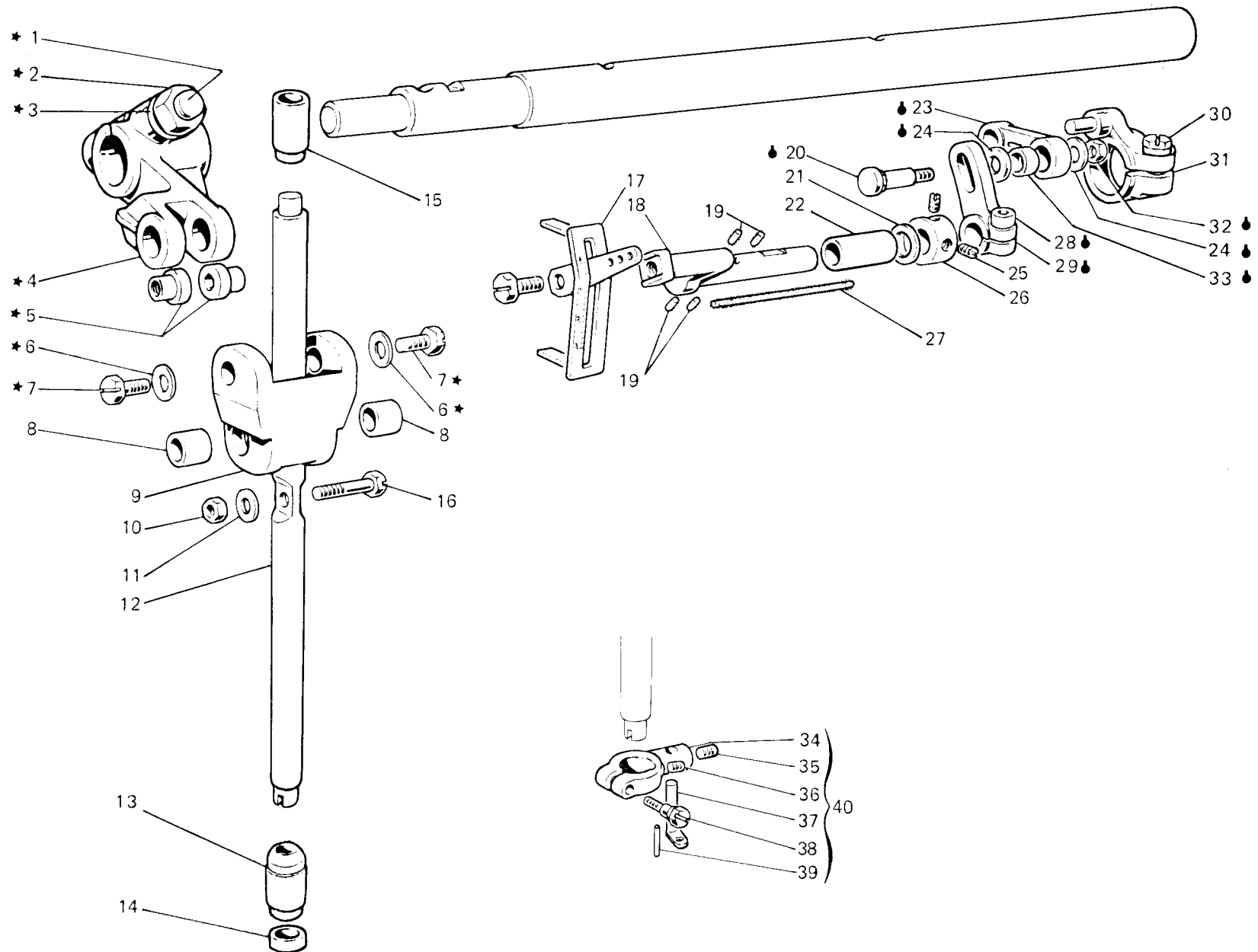
| N. Fig. Abb. | Part. Bestell. N. Piece N. Pieza | N. Anzahl | DESCRIZIONE | DESCRIPTION | DESCRIPTION | N. Fig. Abb. | Part. Bestell. N. Piece N. Pieza | N. Anzahl | DESCRIZIONE | DESCRIPTION | DESCRIPTION |
|--------------------|-------------------------------------------------|--------------|-------------------------|---------------------------|---------------------------|--------------------|-------------------------------------------------|--------------|-----------------------|--------------------|-----------------------|
| | | | | | | | | | | | |
| ★ | 310353-4-00 | 1 | gruppo biella compl. | con-rod assembly | bielle complet | 44 | 308273-0-00 | 1 | rivetto | rivet | rivet |
| ▲ | 308261-4-01 | 1 | gruppo porta crochet | looper holder ass. | groupe porte-crochet | 45 | 308045-0-01 | 1 | supporto oscillante | support | support |
| ◆ | 308340-4-00 | 1 | gruppo com. crochet | looper control ass. | groupe comm. crochet | 46 | 300351-0-11 | 1 | dado | nut | écrou |
| ● | 308332-4-00 | 1 | grup. com. crochet inf. | lower looper control ass. | groupe comm. crochet inf. | 47 | 704309-4-00 | 1 | rosetta | washer | rondelle |
| 1 | 721443-2-00 | 1 | vite | screw | vis | 48 | 300469-2-11 | 1 | fascetta | clamp | bride |
| 2 | 740226-0-00 | 1 | vite | screw | vis | 49 | 302289-0-10 | 1 | molla | spring | ressort |
| 3 | 202474-0-10 | 1 | dado | nut | écrou | 50 | 308325-3-00 | 2 | testa di biella | con-rod big end | tête de bielle |
| 4 | 704226-2-00 | 1 | rosetta | washer | rondelle | 51 | 744040-2-00 | 4 | vite | screw | vis |
| 5 | 308140-0-00 | 1 | supp. del porta crochet | support | support | 52 | 742423-0-00 | 1 | vite | screw | vis |
| 6 | 705734-0-00 | 1 | guarnizione | gasket | garniture | 53 | 702403-0-00 | 1 | molla a tazza | cup spring | ressort à tasse |
| 7 | 308297-0-00 | 2 | bussola | bush | bague | 54 | 300352-0-10 | 1 | spina filettata | pin | goupille |
| 8 | 202397-0-10 | 1 | vite | screw | vis | 55 | 308330-3-00 | 1 | manicotto paraolio | oil protection | manchon pare huile |
| 9 | 721485-2-00 | 1 | vite | screw | vis | 56 | 308327-0-00 | 1 | mascherina per manic. | flange | flasque |
| 10 | 308050-2-00 | 1 | porta spingi asola | front needle guard holder | porte pare-boucle | 57 | 741675-2-00 | 2 | vite | screw | vis |
| 11 | 704846-0-00 | 2 | rosetta | washer | rondelle | 58 | 308326-2-01 | 1 | fascetta | clamp | bride |
| 12 | 744676-2-00 | 1 | vite | screw | vis | 59 | 305194-0-00 | 2 | vite | screw | vis |
| 13 | 308047-0-00 | 1 | scodellino | cup | cuvette | 60 | 308254-3-00 | 1 | biella con ecc. | eccentric con-rod | bielle avec. excentr. |
| 14 | 701009-0-00 | 1 | anello di tenuta | retainer ring | bague d'étanchéité | 61 | 308802-0-00 | 2 | vite | screw | vis |
| 15 | 308046-2-01 | 2 | fascetta | clamp | bride | 62 | 308310-0-00 | 1 | perno a sfera | ball joint | pivot à sphère |
| 16 | 730033-2-00 | 1 | vite | screw | vis | 63 | 705834-0-00 | 1 | rosetta in fibra | washer | rondelle |
| 17 | 778827-0-00 | 2 | stoppino | wick | mèche | 64 | 308333-0-01 | 1 | tirante per biella | tie-rod | tirant pour bielle |
| 18 | 312810-3-01 | 1 | porta crochet compl. | looper holder ass. | porte crochet compl. | 65 | 308142-0-01 | 1 | spingi asola | front needle guard | pare-boucle |
| 19 | 308292-4-00 | 1 | contralbero compl. | coutershaft ass. | axe compl. | 66 | 302057-0-13 | 1 | crochet inf. | lower looper | crochet inférieur |
| 20 | 745815-2-00 | 3 | vite | screw | vis | | | | | | |
| 21 | 308030-2-00 | 1 | eccentrico alza griffa | eccentric | excentrique | | | | | | |
| 22 | 301459-4-10 | 1 | giunto completo | joint ass. | joint complet | | | | | | |
| 23 | 301458-0-10 | 1 | giunto | joint | joint | | | | | | |
| 24 | 301579-0-10 | 1 | gabbia a rullini | needles cage | cage à aiguilles | | | | | | |
| 25 | 201143-0-10 | 2 | anello di tenuta | retainer ring | bague d'étanchéité | | | | | | |
| 26 | 729011-2-00 | 1 | vite | screw | vis | | | | | | |
| 27 | 703810-0-00 | 1 | distanziale | spacer | entretoise | | | | | | |
| 28 | 302276-0-10 | 40 | rullini | roller | rouleau | | | | | | |
| 29 | 303539-0-00 | 2 | reggispinta | thrust bearing | butée | | | | | | |
| 30 | 302052-2-21 | 1 | ghiera | ring nut | collier | | | | | | |
| 31 | 303538-0-00 | 1 | cappellotto di prot. | protection cap | capuchon de protection | | | | | | |
| 32 | 303459-2-11 | 1 | braccio | arm | bras | | | | | | |
| 33 | 704218-2-00 | 1 | rosetta | washer | rondelle | | | | | | |
| 34 | 300377-0-10 | 1 | vite | screw | vis | | | | | | |
| 35 | 303503-0-10 | 1 | vite | screw | vis | | | | | | |
| 36 | 300482-0-10 | 3 | vite | screw | vis | | | | | | |
| 37 | 704849-0-00 | 2 | rosetta | washer | rondelle | | | | | | |
| 38 | 729434-2-00 | 2 | vite | screw | vis | | | | | | |
| 39 | 308044-0-00 | 1 | perno per supporto | pin for support | pivot pour support | | | | | | |
| 40 | 727215-0-00 | 2 | vite | screw | vis | | | | | | |
| 41 | 300209-0-10 | 1 | perno | pin | pivot | | | | | | |
| 42 | 778238-0-00 | 1 | stoppino | wick | mèche | | | | | | |
| 43 | 308272-0-00 | 1 | piastrina | plate | plaque | | | | | | |



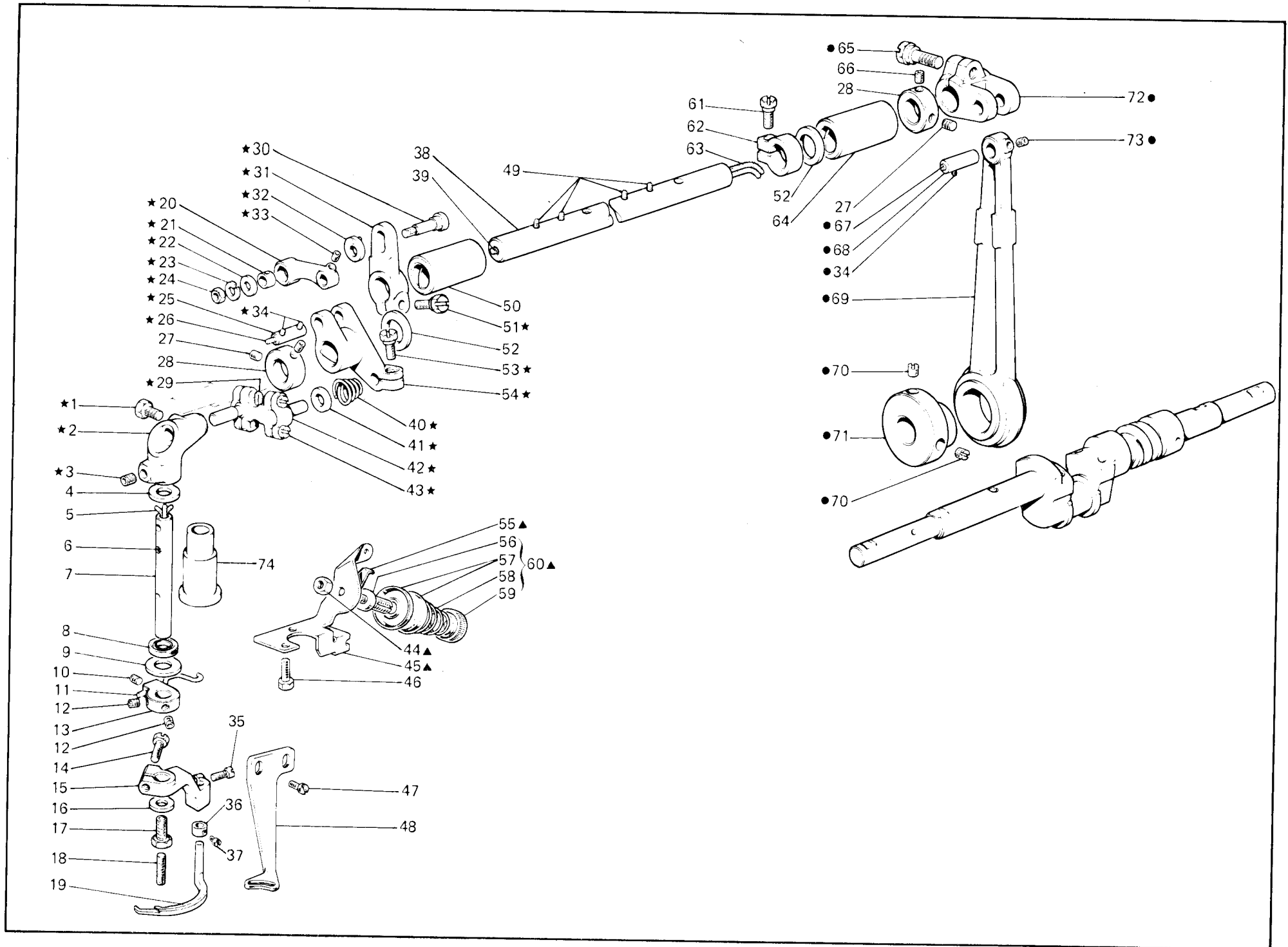
| Fig. N. Abb. N. | Part. N. Bestell. N. Piece N. Pieza N. | Qt. Anzahl | DESCRIZIONE | DESCRIPTION | DESCRIPTION | Fig. N. Abb. N. | Part. N. Bestell. N. Piece N. Pieza N. | Qt. Anzahl | DESCRIZIONE | DESCRIPTION | DESCRIPTION |
|--------------------|-------------------------------------------------|---------------|--------------------------------|---------------------------------|------------------------|--------------------|-------------------------------------------------|---------------|--------------------------|-----------------|--------------------|
| | | | | | | | | | | | |
| ● | 308286-4-10 | 1 | gruppo leva | lever assembly | groupe levier | 45 | 742811-0-00 | 1 | vite | screw | vis |
| ★ | 308192-4-03 | 1 | gruppo porta griffa | feed dog holder ass. | groupe porte griffe | 46 | 302028-2-20 | 1 | braccio porta griffa | arm | bras |
| ■ | 308362-4-01 | 1 | semialbero inf.compl. | lower half-shaft ass. | semi-arbre inf. compl. | 47 | 300209-0-10 | 1 | perno | pin | pivot |
| 1 | 740475-2-00 | 1 | vite | screw | vis | 48 | 778238-0-00 | 1 | stoppino | wick | mèche |
| 2 | 300228-0-10 | 1 | bussola | bush | bague | 49 | 308296-0-00 | 2 | bussola | bush | bague |
| 3 | 202486-0-10 | 1 | vite | screw | vis | 50 | 311343-2-00 | 1 | perno | pin | pivot |
| 4 | 301519-2-11 | 1 | attacco | coupling | raccord | 51 | 301459-4-10 | 1 | giunto completo | joint assembly | joint complet |
| 5 | 742813-0-00 | 1 | vite | screw | vis | 52 | 301458-0-10 | 1 | giunto | joint | joint |
| 6 | 308285-2-02 | 1 | perno | pin | pivot | 53 | 301579-0-10 | 1 | gabbia a rullini | needles cage | cage à aiguille |
| 7 | 308283-2-10 | 1 | leva com. porta griffa | lever | levier | 54 | 201143-0-10 | 2 | anello di tenuta | retainer ring | bague d'étanchéité |
| 8 | 303494-0-10 | 1 | cuscinetto | bearing | coussinet | 55 | 308029-2-00 | 1 | eccentrico | eccentric | excentrique |
| 9 | 307754-0-00 | 1 | piastrina | plate | plaque | 56 | 727215-0-00 | 2 | vite | screw | vis |
| 10 | 308194-0-01 | 1 | settore | sector | secteur | 57 | 728232-0-00 | 1 | vite | screw | vis |
| 11 | 740257-2-00 | 1 | vite | screw | vis | 58 | 704846-0-00 | 1 | rosetta | washer | rondelle |
| 12 | 740243-2-00 | 1 | vite | screw | vis | 59 | 745136-2-00 | 3 | vite | screw | vis |
| 13 | 704805-0-00 | 2 | rosetta | washer | rondelle | 60 | 308287-0-00 | 1 | anello di tenuta | retainer ring | bague d'étanchéité |
| 14 | 308191-4-01 | 1 | supp. oscillante compl. | support assembly | support complet | 61 | 704347-2-00 | 1 | rosetta | washer | rondelle |
| 15 | 729013-2-00 | 2 | vite | screw | vis | 62 | 309839-2-01 | 1 | anello di registro | adjustment ring | bague de réglage |
| 16 | 308190-0-00 | 2 | anello di tenuta | retainer ring | bague d'étanchéité | 63 | 309838-2-01 | 1 | anello di registro | adjustment ring | bague de réglage |
| 17 | 300362-0-11 | 1 | cursore | slider | curseur | 64 | 741546-2-00 | 2 | vite fissa griffa princ. | screw | vis |
| 18 | 308276-0-20 | 1 | perno slitta porta griffa | pin | pivot | 65 | 302152-0-10 | 1 | vite | screw | vis |
| 19 | 308196-0-10 | 1 | bussola | bush | bague | 66 | 704406-0-00 | 1 | rondella | washer | rondelle |
| 20 | 308275-2-00 | 1 | biella | con-rod | bielle | 67 | 300364-0-10 | 1 | squadretta porta griffa | bracket | équerre |
| 21 | 746404-2-00 | 1 | dado | nut | écrou | 68 | 302842-0-10 | 1 | squadretta porta griffa | bracket | équerre |
| 22 | 778414-0-00 | 2 | stoppino | wick | mèche | | | | | | |
| 23 | 304640-0-10 | 1 | vite | screw | vis | | | | | | |
| 24 | 301586-0-10 | 1 | pastiglia | plug | bouchon | | | | | | |
| 25 | 704814-0-00 | 1 | rosetta | washer | rondelle | | | | | | |
| 26 | 746612-2-00 | 1 | dado | nut | écrou | | | | | | |
| 27 | 745815-2-00 | 1 | vite | screw | vis | | | | | | |
| 28 | 309562-0-00 | 2 | rosetta | washer | rondelle | | | | | | |
| 29 | 300361-0-20 | 1 | piastrina | plate | plaque | | | | | | |
| 30 | 300231-0-30 | 1 | slitta porta griffa | slide | glissière | | | | | | |
| 31 | 721444-2-00 | 1 | vite fissa griffa diff. | screw | vis | | | | | | |
| 32 | 706434-0-00 | 2 | spina | pin | goupille | | | | | | |
| 33 | 308281-0-00 | 1 | vite di registro | adjustment screw | vis de réglage | | | | | | |
| 34 | 303458-0-12 | 1 | bussola | bush | bague | | | | | | |
| 35 | 724441-0-00 | 4 | vite | screw | vis | | | | | | |
| 36 | 308289-4-11 | 1 | contralbero trasporto completo | transport countershaft assembly | axe transport complet | | | | | | |
| 37 | 308294-0-10 | 1 | limitatore port.olio | oil limiter | limiteur huile | | | | | | |
| 38 | 746406-2-00 | 1 | dado | nut | écrou | | | | | | |
| 39 | 308278-0-01 | 1 | perno | pin | pivot | | | | | | |
| 40 | 308780-2-00 | 1 | vite di registro | adjustment screw | vis de réglage | | | | | | |
| 41 | 308774-2-00 | 1 | piastra disco | disc plate | plaque disque | | | | | | |
| 42 | 741928-0-00 | 4 | vite | screw | vis | | | | | | |
| 43 | 300371-0-11 | 2 | squadretta | bracket | équerre | | | | | | |
| 44 | 202473-0-11 | 1 | vite | screw | vis | | | | | | |



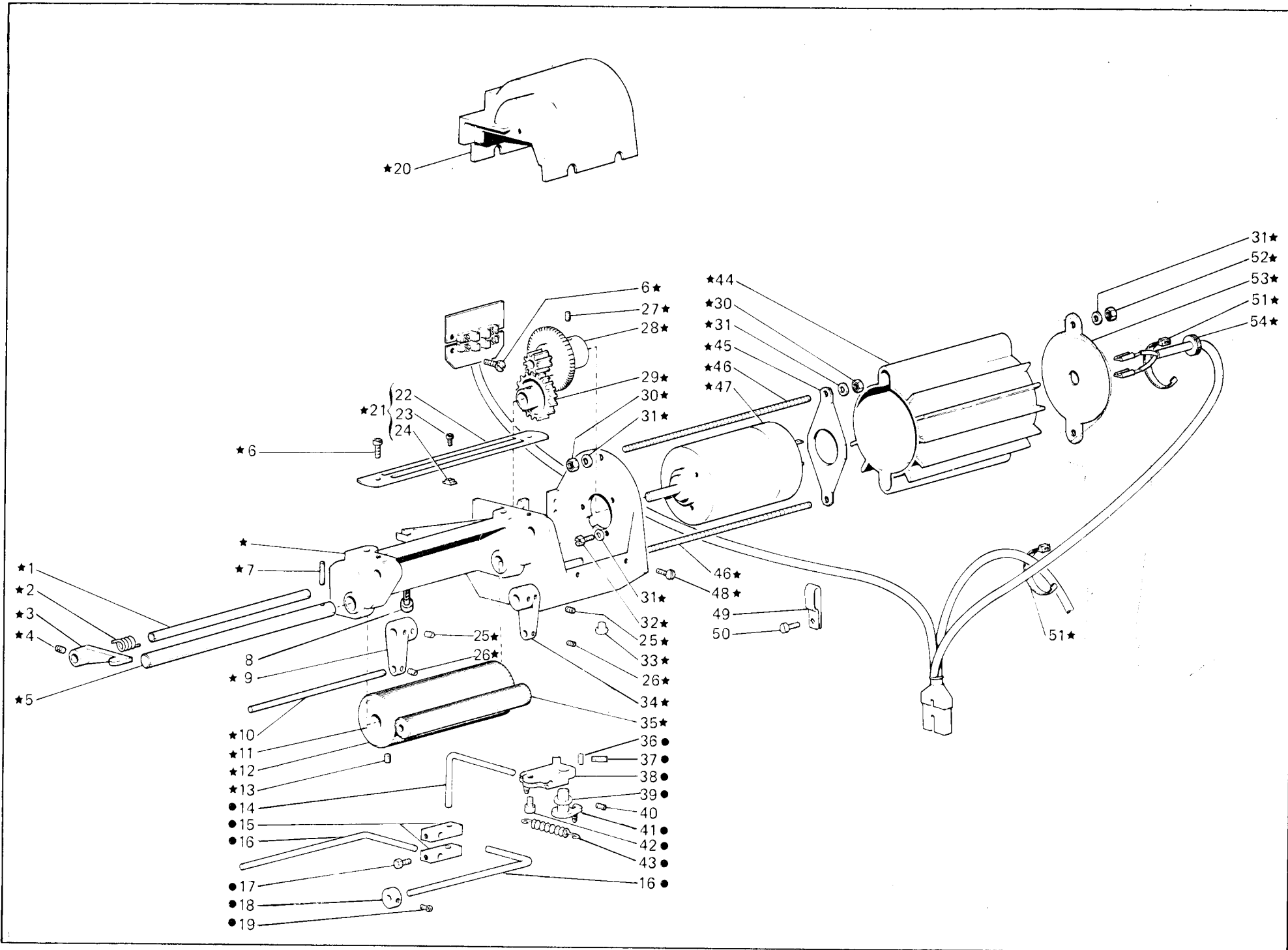
| Fig. N. Abb. N. | Part. N. Piecce N. Bestell N. Pieza N. | Qt. Anzahl | DESCRIZIONE | DESCRIPTION | DESCRIPTION |
|--------------------|-------------------------------------------------|---------------|-----------------------------------|--------------------|---------------------------|
| ◆ | 308320-4-10 | 1 | tirante con leva | tie-rod with lever | tirant avec levier |
| ▲ | 308060-4-10 | 1 | gruppo manovella tirante premist. | crank assembly | groupe manivelle |
| 1 | 740632-2-00 | 2 | vite | screw | vis |
| 2 | 308059-0-01 | 1 | manovella | crank | manivelle |
| 3 | 721494-2-00 | 2 | vite | screw | vis |
| 4 | 308052-4-00 | 1 | piastra con spina | plate | plaque |
| 5 | 707240-0-00 | 1 | spina elastica | split pin | goupille réglable |
| 6 | 308058-0-00 | 1 | spina | pin | goupille |
| 7 | 308057-0-10 | 1 | tirante per alzapiedino | tie-rod | tirant |
| 8 | 740444-2-00 | 1 | vite | screw | vis |
| 9 | 302060-0-11 | 1 | pomolo di regolazione | adjustment knob | pommeau de réglage |
| 10 | 302344-0-10 | 1 | rosetta | washer | rondelle |
| 11 | 302059-0-10 | 1 | molla premi piedino | spring | ressort |
| 12 | 700205-0-00 | 1 | anello elastico | spring ring | anneau ressort |
| 13 | 308061-0-01 | 1 | barra porta piedino | presserfoot bar | barre porte pied de biche |
| 14 | 308148-0-00 | 1 | molla | spring | ressort |
| 15 | 704236-2-00 | 1 | rosetta | washer | rondelle |
| 16 | 308054-0-01 | 1 | paraolio | oil retainer | pare-huile |
| 17 | 308076-2-01 | 1 | anello con viti | ring with screw | anneau avec vis |
| 18 | 745812-2-00 | 2 | vite | screw | vis |
| 19 | 746204-2-00 | 1 | dado | nut | écrou |
| 20 | 729904-2-00 | 1 | vite | screw | vis |
| 21 | 729034-2-00 | 2 | vite | screw | vis |
| 22 | 308007-0-00 | 1 | perno filettato | threaded pin | pivot fileté |
| 23 | 308055-2-00 | 1 | guida a forcella | fork guide | guide à fourchette |
| 24 | 308051-0-01 | 1 | bussola | bush | bague |
| 25 | 308062-2-01 | 1 | leva comando alza piedino | lever | levier |
| 26 | 704240-2-00 | 2 | rosetta | washer | rondelle |
| 27 | 304763-0-10 | 2 | anello di tenuta | retainer ring | bague d'étanchéité |
| 28 | 745827-2-00 | 2 | vite | screw | vis |
| 29 | 304767-2-11 | 1 | anello | ring | anneau |
| 30 | 302232-0-10 | 1 | leva superiore | upper lever | levier supérieur |
| 31 | 202487-0-10 | 1 | vite | screw | vis |
| 32 | 308412-2-02 | 1 | fascetta | clamp | bride |
| 33 | 308098-0-00 | 1 | molla di torsione | spring | ressort |
| 34 | 302234-0-20 | 1 | albero | shaft | arbre |
| 35 | 707241-0-00 | 2 | spina elastica | split pin | goupille réglable |
| 36 | 313624-0-00 | 1 | tirante | tie-rod | tirant |
| 37 | 308996-0-03 | 1 | albero comando alza piedino | shaft | arbre |
| 38 | 302238-0-11 | 1 | leva per tirante | lever | levier |
| 39 | 740034-0-00 | 1 | vite | screw | vis |



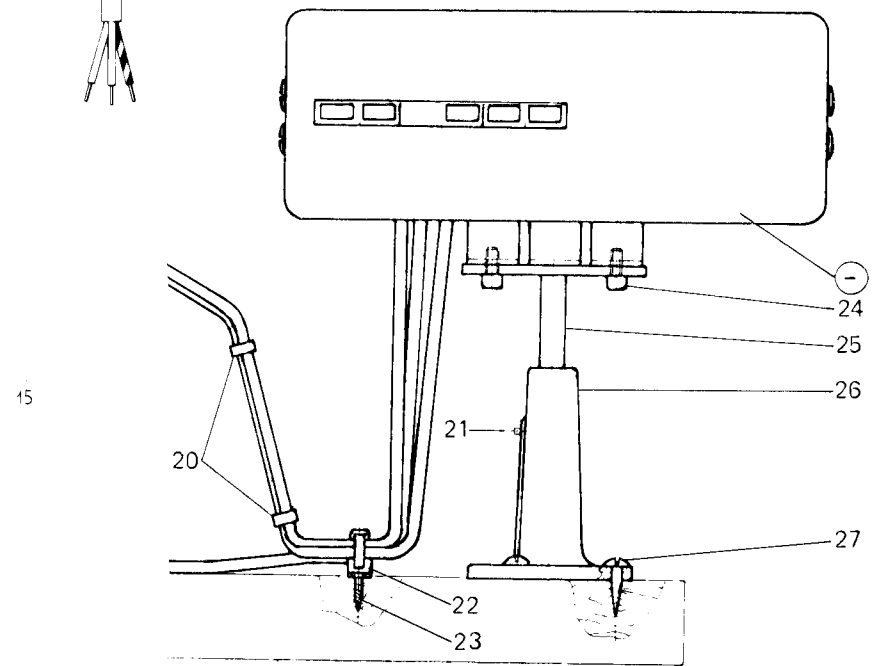
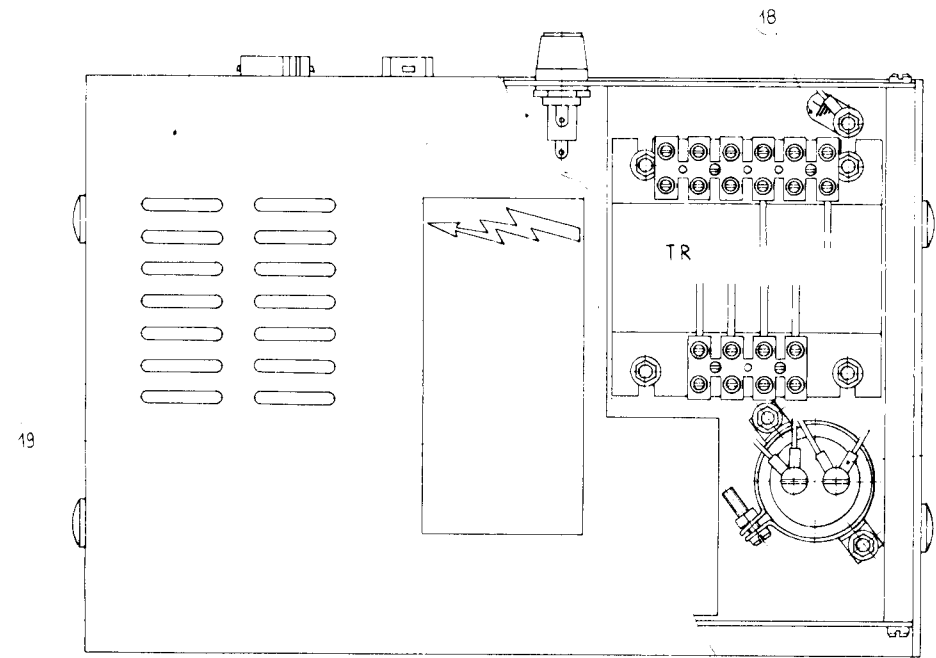
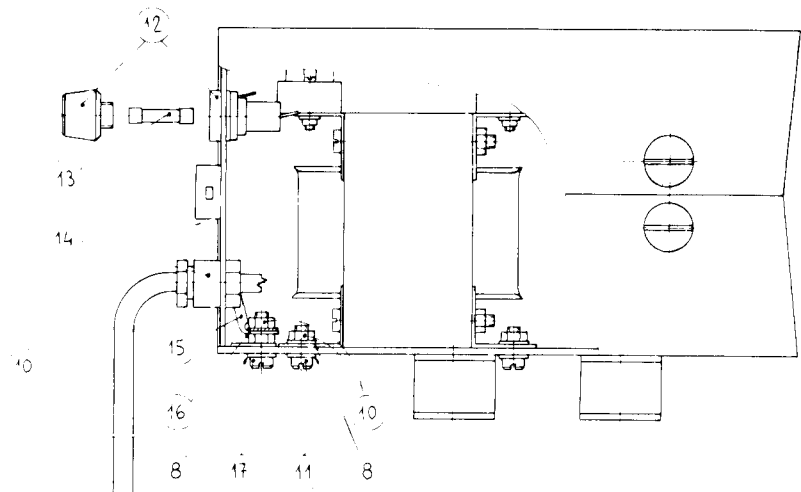
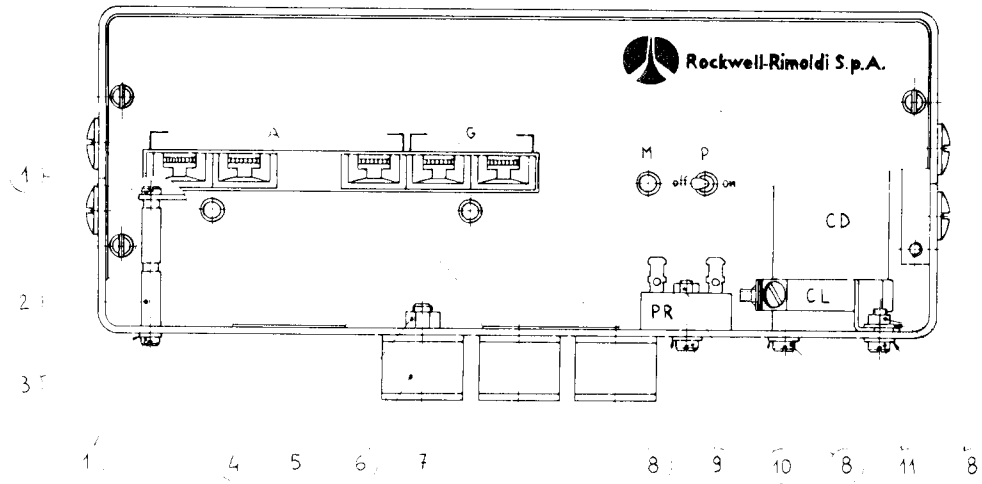
| Fig. N. Abb. N. | Part. N. Pezze N. Bestell N. Pieza N. | Qt. Anzahl | DESCRIZIONE | DESCRIPTION | DESCRIPTION |
|--------------------|------------------------------------------------|---------------|-----------------------------------|-----------------|-------------------|
| ★ | 308006-4-00 | 1 | gr. manovella giunto barra d'ago | crank assembly | groupe manivelle |
| ⚙ | 308244-4-00 | 1 | gruppo settore tenditore articol. | sector assembly | groupe secteur |
| 1 | 308855-0-00 | 1 | perno a vite | threaded pin | pivot à vis |
| 2 | 746408-2-00 | 1 | dado | nut | écrou |
| 3 | 704419-0-00 | 1 | rondella | washer | rondelle |
| 4 | 308036-2-00 | 1 | manovella completa | crank assembly | manivelle compl. |
| 5 | 308037-0-01 | 2 | perno superiore | upper pin | pivot supérieur |
| 6 | 704210-4-00 | 2 | rosetta | washer | rondelle |
| 7 | 308039-0-01 | 2 | vite | screw | vis |
| 8 | 308041-0-00 | 2 | bussola inferiore | lower bush | bague inférieur |
| 9 | 308038-0-10 | 1 | giunto barra d'ago | joint | joint |
| 10 | 302338-0-10 | 1 | dado | nut | écrou |
| 11 | 703005-0-00 | 1 | rosetta | washer | rondelle |
| 12 | 308220-0-00 | 1 | barra d'ago | needle bar | barre aiguille |
| 13 | 308031-0-01 | 1 | bussola | bush | bague |
| 14 | 308318-0-00 | 1 | scodellino inferiore | lower cup | cuvette inférieur |
| 15 | 308032-0-00 | 1 | bussola | bush | bague |
| 16 | 308042-0-00 | 1 | perno per barra ago | pin | pivot |
| 17 | 308005-0-00 | 1 | targhetta | plate | plaque |
| 18 | 308238-4-00 | 1 | braccio con stoppini | arm with wicks | bras avec mèches |
| 19 | 778203-0-00 | 4 | stoppino | wick | mèche |
| 20 | 308235-0-00 | 1 | perno | pin | pivot |
| 21 | 704828-0-00 | 1 | rosetta | washer | rondelle |
| 22 | 308232-0-01 | 1 | bussola | bush | bague |
| 23 | 206583-0-00 | 1 | biellino | con-rod | petite bielle |
| 24 | 705208-0-00 | 2 | rosetta | washer | rondelle |
| 25 | 745812-2-00 | 2 | vite | screw | vis |
| 26 | 303899-0-11 | 1 | anello | ring | anneau |
| 27 | 778407-0-00 | 1 | stoppino | wick | mèche |
| 28 | 722422-2-00 | 1 | vite | screw | vis |
| 29 | 308234-2-00 | 1 | settore | sector | secteur |
| 30 | 201128-0-10 | 1 | vite | screw | vis |
| 31 | 308236-2-01 | 1 | braccio con vite | arm with screw | bras avec vis |
| 32 | 746008-0-00 | 1 | dado | nut | écrou |
| 33 | 202032-0-11 | 1 | bussolina | bush | bague |
| 34 | 302261-2-11 | 1 | fascetta | clamp | bride |
| 35 | 745800-2-00 | 1 | vite | screw | vis |
| 36 | 745001-2-00 | 1 | vite | screw | vis |
| 37 | 300348-0-10 | 1 | passafilo | thread guide | passe-fil |
| 38 | 302352-0-10 | 1 | vite | screw | vis |
| 39 | 302292-0-10 | 1 | spina | pin | goupille |
| 40 | 302260-4-11 | 1 | fascetta completa | clamp assembly | bride complet |



| Fig. N Abb. N | Part N. Bestell N. Piece N. Pieza N. | Qt. Anzahl | DESCRIZIONE | DESCRIPTION | DESCRIPTION | Fig. N Abb. N | Part N. Bestell N. Piece N. Pieza N. | Qt. Anzahl | DESCRIZIONE | DESCRIPTION | DESCRIPTION |
|------------------|-----------------------------------------------|---------------|------------------------|--------------------------|-------------------------|------------------|-----------------------------------------------|---------------|---------------------|-----------------------|----------------------|
| | | | | | | | | | | | |
| ★ | 308079-4-20 | 1 | gruppo crochet cop. | looper assembly | groupe crochet | 46 | 740236-0-00 | 2 | vite | screw | vis |
| ▲ | 308867-4-01 | 1 | gruppo tensione cop. | tension assembly | groupe tension | 47 | 741658-2-00 | 2 | vite | screw | vis |
| ● | 314195-4-00 | 1 | gruppo biella | con-rod assembly | groupe bielle | 48 | 308751-0-00 | 1 | passafile a camma | thread guide | passé-fil |
| 1 | 740226-0-00 | 1 | vite | screw | vis | 49 | 778205-0-00 | 8 | stoppino | wick | mèche |
| 2 | 308072-2-10 | 1 | raccordo con vite | connection with screw | raccord avec vis | 50 | 313587-0-00 | 1 | bussola | bush | bague |
| 3 | 730033-2-00 | 1 | vite | screw | vis | 51 | 314248-0-00 | 1 | vite | screw | vis |
| 4 | 309562-0-00 | 1 | rondella | washer | rondelle | 52 | 704852-0-00 | 2 | rondella | washer | rondelle |
| 5 | 778502-0-00 | 1 | stoppino | wick | mèche | 53 | 302347-0-10 | 1 | vite | screw | vis |
| 6 | 778204-0-00 | 4 | stoppino | wick | mèche | 54 | 314164-2-00 | 1 | attacco con viti | coupling with screw | raccord avec vis |
| 7 | 308081-4-00 | 1 | perno con stoppini | pin with wicks | pivot avec mèches | 55 | 308874-0-00 | 1 | passafile | thread guide | passé fil |
| 8 | 308075-0-00 | 1 | anello di tenuta | retainer ring | bage d'étanchéité | 56 | 308862-0-01 | 1 | perno a vite | threaded pin | pivot à vis |
| 9 | 704835-0-00 | 1 | rondella | washer | rondelle | 57 | 308863-0-00 | 2 | disco tensione | tension disc | disque tension |
| 10 | 745800-2-00 | 1 | vite | screw | vis | 58 | 308860-0-00 | 1 | molla | spring | ressort |
| 11 | 308869-0-00 | 1 | astina tendifilo | thread take-up rod | tige tension fil | 59 | 308861-0-00 | 1 | pomolo | knob | pommeau |
| 12 | 745812-2-00 | 2 | vite | screw | vis | 60 | 308864-4-01 | 1 | gruppo tensione | tension assembly | groupe tension |
| 13 | 308868-2-00 | 1 | anello porta astina | rod holder ring | bage porte tige | 61 | 300482-0-10 | 1 | vite | screw | vis |
| 14 | 721494-2-00 | 1 | vite | screw | vis | 62 | 314189-2-00 | 1 | fascetta con vite | clamp with screw | bride avec vis |
| 15 | 308077-2-01 | 1 | porta crochet con viti | looper holder with screw | porte crochet avec vis | 63 | 778407-0-00 | 1 | stoppino | wick | mèche |
| 16 | 704309-4-00 | 1 | rondella | washer | rondelle | 64 | 313588-0-00 | 1 | bussola | bush | bage |
| 17 | 308078-0-00 | 1 | vite di registro | adjustment screw | vis de réglage | 65 | 201128-0-10 | 1 | vite | screw | vis |
| 18 | 729051-2-00 | 1 | vite | screw | vis | 66 | 745421-0-00 | 1 | vite | screw | vis |
| 19 | 308080-0-00 | 1 | crochet di copertura | looper | crochet | 67 | 778237-0-00 | 1 | stoppino | wick | mèche |
| 20 | 314165-2-00 | 1 | biellino con vite | con-rod with screw | bielle avec vis | 68 | 314194-4-00 | 1 | spina completa | pin group | groupe pivot |
| 21 | 202032-0-11 | 1 | bussolina | bush | bage | 69 | 314160-2-00 | 1 | biella con vite | con-rod with screw | bielle avec vis |
| 22 | 705208-0-00 | 1 | rondella | washer | rondelle | 70 | 727654-0-00 | 2 | vite | screw | vis |
| 23 | 703005-0-00 | 1 | rondella elastica | spring washer | rondelle élastique | 71 | 314167-2-00 | 1 | eccentrico con viti | eccentric with screws | excentrique avec vis |
| 24 | 746008-0-00 | 1 | dado | nut | écrou | 72 | 314162-2-01 | 1 | attacco con vite | coupling with screw | raccord avec vis |
| 25 | 314193-4-00 | 1 | spina completa | pin group | groupe pivot | 73 | 729022-2-00 | 1 | vite | screw | vis |
| 26 | 778208-0-00 | 1 | stoppino | wick | mèche | 74 | 308074-0-00 | 1 | bussola | bush | bage |
| 27 | 745124-0-00 | 3 | vite | screw | vis | | | | | | |
| 28 | 314169-0-00 | 2 | anello di rasamento | shim | bage | | | | | | |
| 29 | 778707-0-00 | 1 | stoppino | wick | mèche | | | | | | |
| 30 | 308235-0-00 | 1 | perno | pin | pivot | | | | | | |
| 31 | 314163-2-00 | 1 | settore con vite | sector with screw | secteur avec vis | | | | | | |
| 32 | 314187-2-00 | 1 | rondella con spina | washer with pin | rondelle avec goupille | | | | | | |
| 33 | 729011-2-00 | 1 | vite | screw | vis | | | | | | |
| 34 | 778202-0-00 | 8 | stoppino | wick | mèche | | | | | | |
| 35 | 741724-0-00 | 1 | vite | screw | vis | | | | | | |
| 36 | 308082-2-00 | 1 | anello con vite | ring with screw | bage avec vis | | | | | | |
| 37 | 741413-2-00 | 1 | vite | screw | vis | | | | | | |
| 38 | 314186-4-00 | 1 | contralbero con stop. | countershaft with wicks | contre-arbre avec mèche | | | | | | |
| 39 | 778406-0-00 | 1 | stoppino | wick | mèche | | | | | | |
| 40 | 308269-0-00 | 1 | molla | spring | ressort | | | | | | |
| 41 | 314182-0-00 | 1 | distanziale | spacer | entretoise | | | | | | |
| 42 | 308071-3-02 | 1 | gruppo biella | con-rod assembly | groupe bielle | | | | | | |
| 43 | 308067-0-01 | 4 | vite | screw | vis | | | | | | |
| 44 | 746007-2-00 | 1 | dado | nut | écrou | | | | | | |
| 45 | 308865-0-00 | 1 | piastra con passafile | plate with thread guide | plaque avec passé-fil | | | | | | |

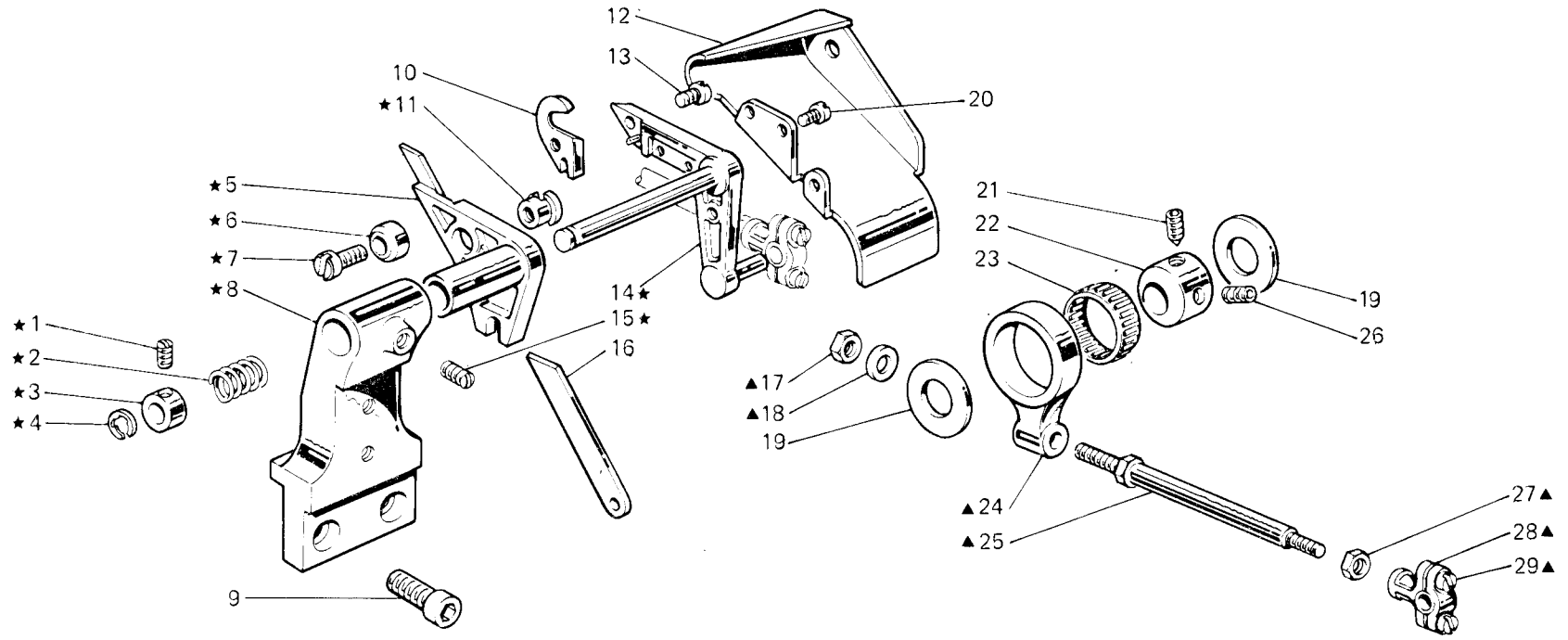


| N. Fig. Abb. N. | Part. N. Bestell. N. Piece N. | Qt. Anzahl | DESCRIZIONE | DESCRIPTION | DESCRIPTION | N. Fig. Abb. N. | Part. N. Bestell. N. Piece N. | Qt. Anzahl | DESCRIZIONE | DESCRIPTION | DESCRIPTION |
|-----------------|-------------------------------|------------|-----------------------|--------------------|-------------------------|-----------------|-------------------------------|------------|-------------|-------------|-------------|
| ● ★ | 929420-4-01 | 1 | gruppo rulli dosatori | rollers assembly | groupe rouleaux | 48 | 200356-0-10 | 4 | vite | screw | vis |
| ★ | 929462-4-01 | 1 | gruppo rulli alimen. | feeder roller ass. | groupe rouleaux alimen. | 49 | 923302-0-10 | 1 | fascetta | clamp | bride |
| 1 | 304475-0-10 | 1 | astina | little rod | petite tige | 50 | 721863-2-00 | 1 | vite | screw | vis |
| 2 | 929453-0-00 | 1 | molla | spring | ressort | 51 | 920258-0-10 | 6 | fascetta | clamp | bride |
| 3 | 304424-0-10 | 1 | leva | lever | levier | 52 | 734001-2-00 | 1 | dado | nut | écrou |
| 4 | 745812-2-00 | 1 | vite | screw | vis | 53 | 929438-0-00 | 1 | coperchio | cover | couvercle |
| 5 | 929422-0-00 | 1 | albero | shaft | arbre | 54 | 923010-0-10 | 1 | passacavo | gommet | passé-cable |
| 6 | 721412-2-00 | 6 | vite | screw | vis | | | | | | |
| 7 | 797283-0-00 | 1 | spina elastica | split pin | goupille réglable | | | | | | |
| 8 | 722433-2-00 | 2 | vite | screw | vis | | | | | | |
| 9 | 304438-0-10 | 1 | spalla sinistra | left support | support gauche | | | | | | |
| 10 | 304474-0-10 | 1 | perno | pin | pivot | | | | | | |
| 11 | 304559-0-00 | 2 | tappo | plug | bouchon | | | | | | |
| 12 | 304569-2-00 | 1 | rullo con viti | roller with screw | rouleau avec vis | | | | | | |
| 13 | 729022-2-00 | 2 | vite | screw | vis | | | | | | |
| 14 | 929431-0-00 | 1 | asta di guida | rod | tige | | | | | | |
| 15 | 304460-0-10 | 2 | blocchetto | block | bloc | | | | | | |
| 16 | 304459-0-10 | 2 | asta di guida | rod | tige | | | | | | |
| 17 | 740220-2-00 | 4 | vite | screw | vis | | | | | | |
| 18 | 304458-0-10 | 4 | anello di regolazione | ring | anneau | | | | | | |
| 19 | 742811-0-00 | 4 | vite | screw | vis | | | | | | |
| 20 | 929436-0-00 | 1 | carter | cover | carter | | | | | | |
| 21 | 304473-4-10 | 1 | piastrina completa | sheet assembly | plaquette compl. | | | | | | |
| 22 | 304472-0-10 | 1 | piastrina | sheet | plaquette | | | | | | |
| 23 | 741403-0-00 | 4 | vite | screw | vis | | | | | | |
| 24 | 203949-0-10 | 4 | cursore | slider | curseur | | | | | | |
| 25 | 727014-2-00 | 4 | vite | screw | vis | | | | | | |
| 26 | 745002-0-00 | 2 | vite | screw | vis | | | | | | |
| 27 | 729011-2-00 | 2 | vite | screw | vis | | | | | | |
| 28 | 929425-2-01 | 1 | disco dentato | disc | disque | | | | | | |
| 29 | 929423-0-00 | 1 | ingranaggio | gear | engrenage | | | | | | |
| 30 | 733505-2-00 | 8 | dado | nut | écrou | | | | | | |
| 31 | 704106-2-00 | 12 | rondella | washer | rondelle | | | | | | |
| 32 | 740244-0-00 | 3 | vite | screw | vis | | | | | | |
| 33 | 207893-0-00 | 1 | tappo | plug | bouchon | | | | | | |
| 34 | 304437-0-10 | 1 | spalla destra | right support | support droite | | | | | | |
| 35 | 304568-2-00 | 1 | rullino | roller | rouleau | | | | | | |
| 36 | 746002-2-00 | 1 | dado | nut | écrou | | | | | | |
| 37 | 727082-0-00 | 1 | vite | screw | vis | | | | | | |
| 38 | 304453-2-10 | 1 | attacco con spina | pipe | raccord | | | | | | |
| 39 | 704819-0-00 | 1 | rosetta | washer | rondelle | | | | | | |
| 40 | 729042-2-00 | 1 | vite | screw | vis | | | | | | |
| 41 | 929424-0-00 | 1 | perno | pin | pivot | | | | | | |
| 42 | 722411-2-00 | 1 | vite | screw | vis | | | | | | |
| 43 | 304457-0-10 | 1 | molla | spring | ressort | | | | | | |
| 44 | 929437-0-00 | 1 | protezione motore | protection | protection | | | | | | |
| 45 | 929427-0-00 | 1 | piastra | plate | plaque | | | | | | |
| 46 | 929439-0-00 | 2 | tirante | tie-rod | tirant | | | | | | |
| 47 | 929448-0-00 | 1 | motore elettrico | electric motor | moteur électrique | | | | | | |

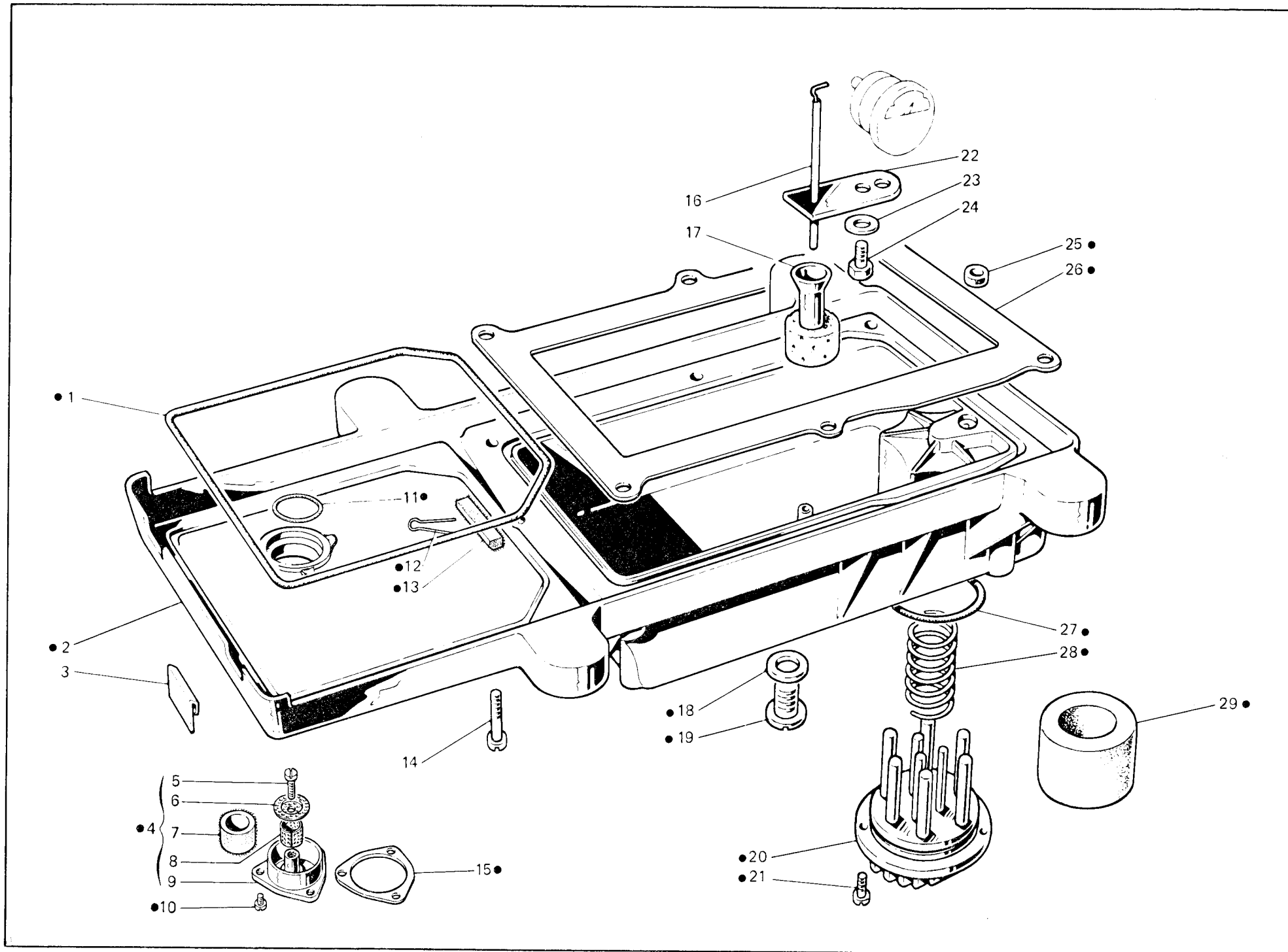


| Fig. N. Abb. N. | Part. N. Piece N. Bestell N. Pieza N. | Qt. Anzahl | DESCRIZIONE | DESCRIPTION | DESCRIPTION |
|--------------------|------------------------------------------------|---------------|--------------------------|---------------------------------|-------------------------|
| ⊖ | 929445.4-11 | 1 | scatola comandi completa | electrical control box assembly | boîte commande complète |
| 1 | 741675-2-00 | 8 | vite | screw | vis |
| 2 | 929443-0-00 | 4 | distanziale | spacer | entretoise |
| 3 | 704104-2-00 | 4 | rondella | washer | rondelle |
| 4 | 927458-4-10 | 1 | scatola completa | electrical control box | boîte commande |
| 5 | 733104-0-00 | 3 | dado | nut | écrou |
| 6 | 940431-0-00 | 3 | ammortizzatore | damper | amortisseur |
| 7 | 929444.4-11 | 1 | pannello completo | panel assembly | panneau compl. |
| 8 | 704106-2-00 | 4 | rondella | washer | rondelle |
| 9 | 721514-0-00 | 1 | vite | screw | vis |
| 10 | 733505-2-00 | 9 | dado | nut | écrou |
| 11 | 721474-2-00 | 6 | vite | screw | vis |
| 12 | 920278-0-10 | 1 | portafusibile | fuse-box | porte-fusible |
| 13 | 925651-0-00 | 1 | fusibile | fuse | fusible |
| 14 | 941396-0-00 | 1 | passacavo | gommet | passe-câble |
| 15 | 910442-0-00 | 5 | capocorda | terminal | extrémité corde |
| 16 | 703305-0-00 | 1 | rondella dentata | washer | rondelle |
| 17 | 721494-2-00 | 1 | vite | screw | vis |
| 18 | 910044-0-10 | 1 | targhetta | plate | plaque |
| 19 | 925122-0-00 | 1 | targhetta | plate | plaque |
| 20 | 920258-0-10 | 3 | fascetta | clamp | bride |
| 21 | 729054-2-00 | 1 | vite | screw | vis |
| 22 | 944634-0-00 | 1 | supporto | support | support |
| 23 | 731044-0-00 | 1 | vite da legno | screw | vis |
| 24 | 722433-2-00 | 3 | vite | screw | vis |
| 25 | 927490-2-00 | 1 | supporto | support | support |
| 26 | 991114-2-00 | 1 | basetta con vite | base | base |
| 27 | 731107-2-00 | 3 | vite da legno | screw | vis |

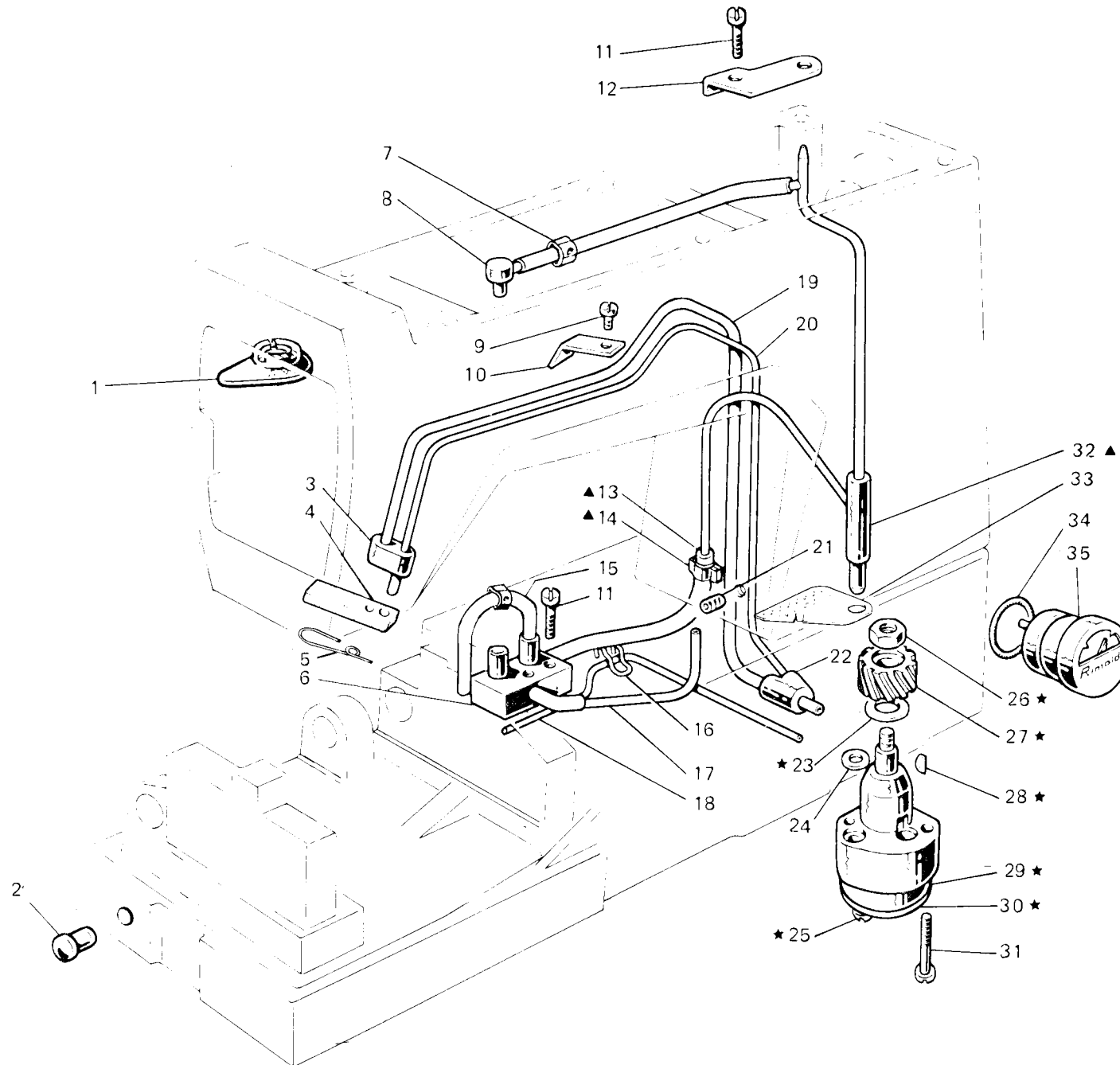
| Fig. N. Abb. N. | Part. N. Piece N. Bestell N. Pieza N. | Qt. Anzahl | DESCRIZIONE | DESCRIPTION | DESCRIPTION |
|--------------------|------------------------------------------------|---------------|----------------------|----------------|-----------------|
| — | 929444-4-11 | 1 | pannello completo | panel assembly | panneau complet |
| 1 | 921036-0-10 | 1 | fusibile 3A 5x20 | fuse 3A 5x20 | fusible 3A 5x20 |
| 2 | 927385-0-00 | 1 | connettore a 3 poli | connector | connecteur |
| 3 | 927387-0-00 | 1 | connettore a 12 poli | connector | connecteur |
| 4 | 927476-0-00 | 5 | stripswitch | stripswitch | stripswitch |



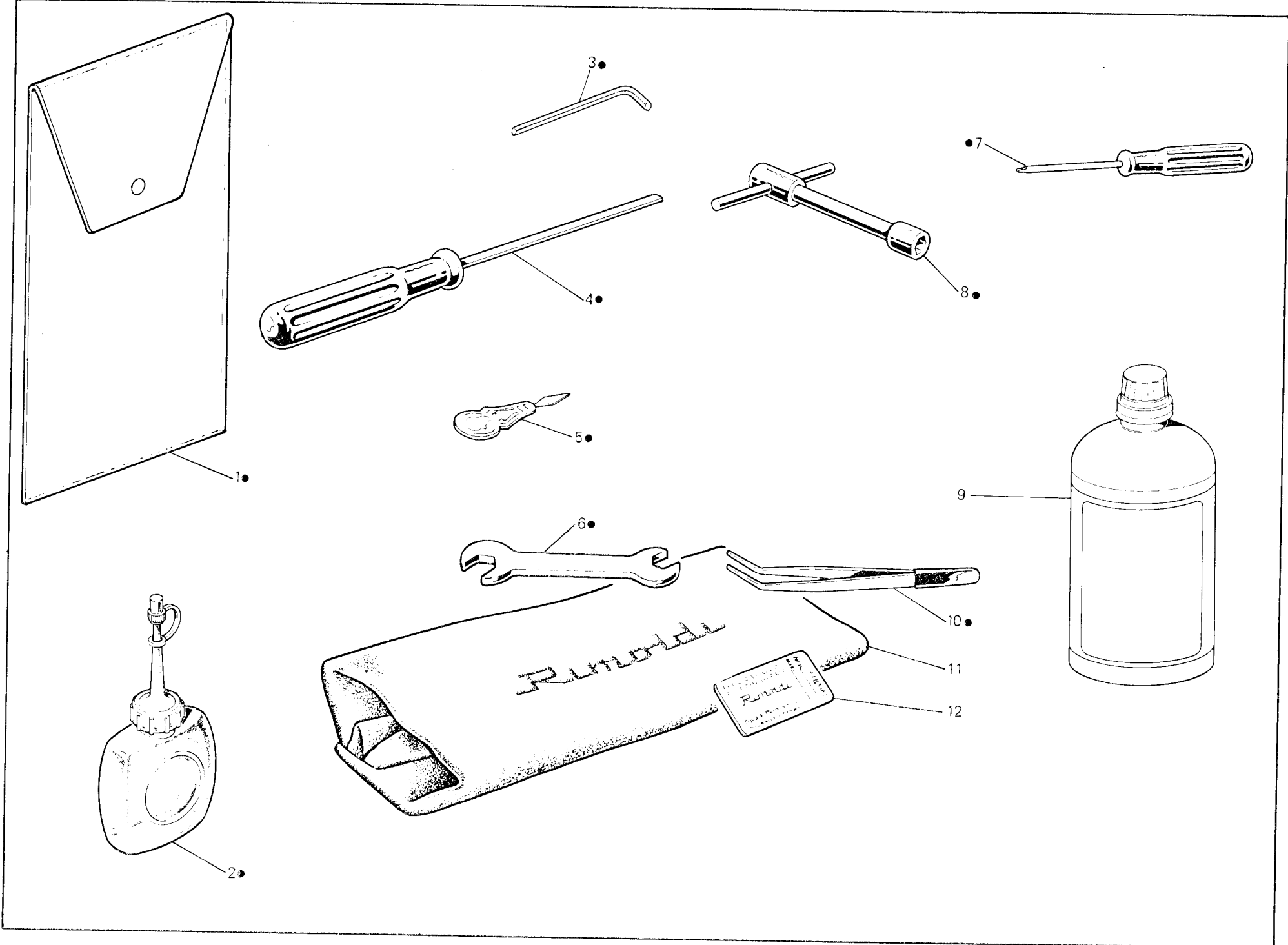
| Fig. N. Abb. N. | Part. N. Piece N. Bestell N. Pieza N. | Qt. Anzahl | DESCRIZIONE | DESCRIPTION | DESCRIPTION |
|--------------------|------------------------------------------------|---------------|-------------------------------------------|-----------------------------------|-------------------------------------------------|
| ★ | 309380-4-01 | 1 | porta coltello completo | knife holder assembly | porte-couteau complet |
| ▲ | 302813-4-10 | 1 | biella comando coltello compl. | knife con-rod assembly | bielle com. couteau compl. |
| 1 | 745114-0-00 | 2 | vite | screw | vis |
| 2 | 302803-0-10 | 1 | molla | spring | ressort |
| 3 | 302859-0-10 | 1 | anello | ring | anneau |
| 4 | 700210-0-00 | 1 | anello elastico | spring ring | anneau ressort |
| 5 | 302804-2-11 | 1 | porta coltello inferiore | lower knife holding | porte couteau inférieur |
| 6 | 302864-0-10 | 1 | scodellino | cup | cuvette |
| 7 | 721475-2-00 | 1 | vite | screw | vis |
| 8 | 309373-2-00 | 1 | supporto | support | support |
| 9 | 722454-2-00 | 2 | vite | screw | vis |
| 10 | 302807-0-10 | 1 | coltello superiore | upper knife | couteau supérieur |
| 11 | 302806-0-10 | 1 | anello | ring | anneau |
| 12 | 302840-0-10 | 1 | carterino | cover | carter |
| 13 | 741642-2-00 | 1 | vite | screw | vis |
| 14 | 302801-3-11 | 1 | porta coltello superiore | upper knife holding | porte couteau supérieur |
| 15 | 727056-0-00 | 1 | vite | screw | vis |
| 16 | 302808-0-10 | 1 | coltello inferiore | lower knife | couteau inférieur |
| 17 | 746204-2-00 | 1 | dado | nut | écrou |
| 18 | 703208-0-00 | 1 | rondella elastica | spring washer | rondelle élastique |
| 19 | 703825-0-00 | 2 | rondella | washer | rondelle |
| 20 | 721412-2-00 | 3 | vite | screw | vis |
| 21 | 730023-2-00 | 1 | vite | screw | vis |
| 22 | 308762-2-00 | 1 | eccentrico compl. con viti | eccentric ass. with screw | excentrique complet avec vis |
| 23 | 302857-0-10 | 1 | gabbia a rullini | needles cage | cage à aiguilles |
| 24 | 302812-0-10 | 1 | giunto | joint | joint |
| 25 | 302846-0-10 | 1 | tirante | tie-rod | tirant |
| 26 | 729013-2-00 | 1 | vite | screw | vis |
| 27 | 302708-0-01 | 1 | dado | nut | écrou |
| 28 | 302844-3-10 | 1 | testa di biella | con-rod big end | tête de bielle |
| 29 | 743243-2-00 | 2 | vite | screw | vis |
| | | | SOLO A RICHIESTA | ONLY ON REQUEST | SEULEMENT SUR DEMANDE |
| 10 | 305671-2-00 | 1 | coltello sup. con placchetta in lega dura | upper knife with plate hard alloy | couteau supérieur avec plaquette en alliage dur |
| 12 | 302869-0-10 | 1 | carterino | cover | carter |
| 16 | 305670-2-00 | 1 | coltello inf. con placchetta in lega dura | lower knife with plate hard alloy | couteau supérieur avec plaquette en alliage dur |



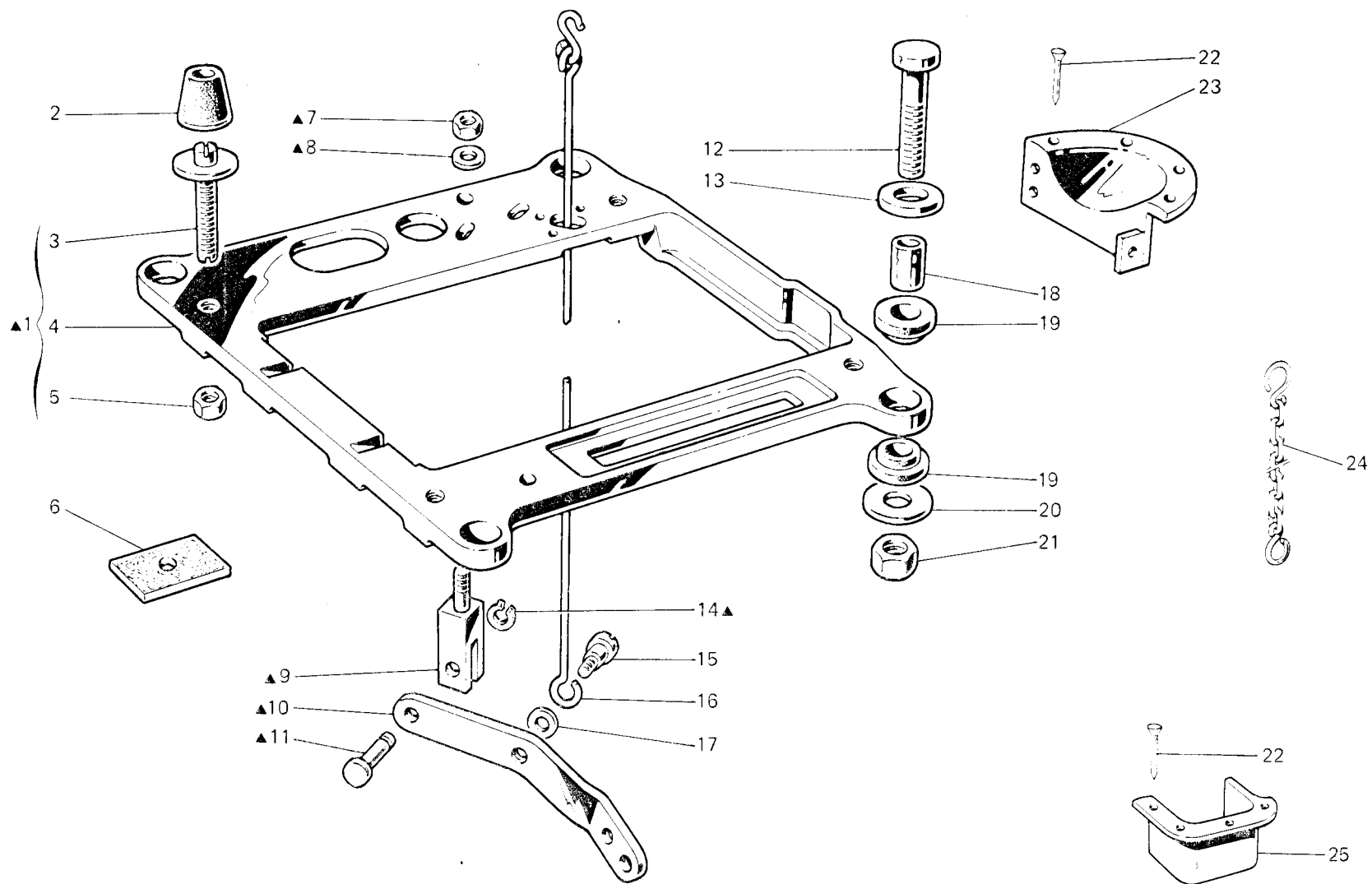
| Fig. N. Abb. N. | Part. N. Piece N. Bestell N. Pieza N. | Qt. Anzahl | DESCRIZIONE | DESCRIPTION | DESCRIPTION | BENENNUNG | DESCRIPTION |
|--------------------|------------------------------------------------|---------------|-------------------------|-----------------------|-------------|--------------------------|-------------|
| ● | 308589-4-10 | 1 | bacinella olio completa | oil sump assembly | | réservoir huile complet | |
| 1 | 308125-0-01 | 1 | guarnizione | gasket | | garniture | |
| 2 | 308577-2-20 | 1 | bacinella | oil sump | | réservoir | |
| 3 | 308002-0-00 | 2 | piastrina per bacinella | sheet for oil sump | | plaquette pour réservoir | |
| 4 | 308331-4-00 | 1 | tappo completo | plug assembly | | bouchon complet | |
| 5 | 721484-2-00 | 1 | vite | screw | | vis | |
| 6 | 308209-0-00 | 1 | dischetto | disc | | disque | |
| 7 | 308206-0-00 | 1 | filtro olio | oil filter | | filtre huile | |
| 8 | 308210-0-00 | 1 | cilindretto | cylinder | | cylindre | |
| 9 | 308208-0-00 | 1 | tappo | plug | | bouchon | |
| 10 | 722411-2-00 | 3 | vite | screw | | vis | |
| 11 | 701134-0-00 | 1 | guarnizione | gasket | | garniture | |
| 12 | 308957-0-00 | 1 | clip | clip | | clip | |
| 13 | 308213-0-00 | 1 | feltro | felt | | feutre | |
| 14 | 722453-2-00 | 6 | vite fiss. bacinella | oil sump fixing screw | | vis blocage réservoir | |
| 15 | 308179-0-00 | 1 | guarnizione | gasket | | garniture | |
| 16 | 308379-0-00 | 1 | astina livello olio | stick | | jauge niveau huile | |
| 17 | 308228-2-00 | 1 | galleggiante | float | | floatteur | |
| 18 | 705977-0-00 | 1 | rondella | washer | | rondelle | |
| 19 | 206564-0-00 | 1 | tappo | plug | | bouchon | |
| 20 | 206560-0-10 | 1 | coperchio | cover | | couvercle | |
| 21 | 722063-2-00 | 2 | vite | screw | | vis | |
| 22 | 308226-0-02 | 1 | guida astina | guide for stick | | guide barre | |
| 23 | 703003-0-00 | 1 | rondella elastica | spring washer | | rondelle élastique | |
| 24 | 740240-0-00 | 1 | vite | screw | | vis | |
| 25 | 308113-0-00 | 1 | anello | ring | | anneau | |
| 26 | 311395-0-00 | 1 | guarnizione | gasket | | garniture | |
| 27 | 701051-0-00 | 1 | guarnizione | gasket | | garniture | |
| 28 | 206545-0-00 | 1 | molla a spirale | spring | | ressort | |
| 29 | 206559-0-01 | 1 | filtro olio | oil filter | | filtre huile | |



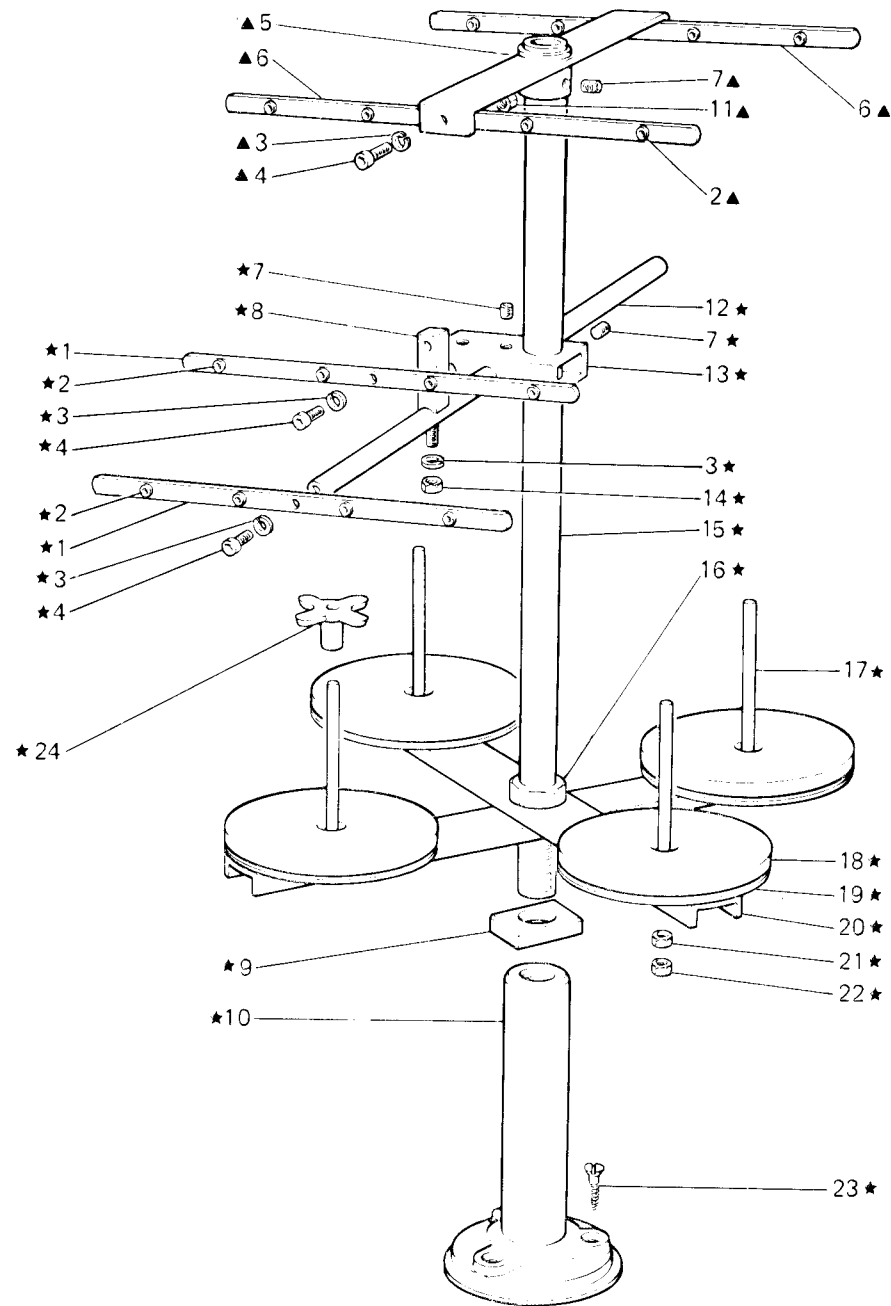
| Fig. N. Abb. N. | Part. N. Pezze N. Bestell N. Pieza N. | Qt. Anzahl | DESCRIZIONE | DESCRIPTION | DESCRIPTION |
|--------------------|------------------------------------------------|---------------|------------------------------|-----------------------------------|----------------------------|
| ★ | 308105-4-03 | 1 | pompa olio completa | oil pump assembly | pompe à huile complet |
| ▲ | 310500-4-00 | 1 | raccordo mandata olio compl. | pipe connection oil delivery ass. | raccord envoi huile compl. |
| 1 | 308215-0-00 | 1 | protezione olio | oil protection | protection huile |
| 2 | 202398-0-10 | 1 | tappo | plug | bouchon |
| 3 | 308123-0-00 | 1 | raccordo superiore | upper pipe connection | raccord supérieur |
| 4 | 307991-0-00 | 1 | feltro | felt | feutre |
| 5 | 307990-0-00 | 1 | molletta | spring | ressort |
| 6 | 308114-2-02 | 1 | distributore | distributor | distributeur |
| 7 | 308040-2-00 | 1 | tubetto | pipe | tube |
| 8 | 308214-0-00 | 1 | raccordo mandata olio | pipe connection oil delivery | raccord envoi huile |
| 9 | 721424-2-00 | 1 | vite | screw | vis |
| 10 | 308184-0-00 | 1 | fascetta | clamp | bride |
| 11 | 721514-0-00 | 3 | vite | screw | vis |
| 12 | 308104-0-00 | 1 | piastrina | plate | plaque |
| 13 | 308207-0-00 | 1 | tubetto | pipe | tube |
| 14 | 308043-0-00 | 1 | fascetta | clamp | bride |
| 15 | 310561-2-00 | 1 | tubetto | pipe | tube |
| 16 | 308211-0-00 | 2 | clip | clip | clip |
| 17 | 790315-0-00 | 1 | tubetto | pipe | tube |
| 18 | 790325-0-00 | 1 | tubetto | pipe | tube |
| 19 | 790342-0-00 | 1 | tubetto recupero olio | pipe | tube |
| 20 | 790242-0-00 | 1 | tubetto recupero olio | pipe | tube |
| 21 | 729032-2-00 | 1 | vite | screw | vis |
| 22 | 308185-0-00 | 1 | raccordo inferiore | lower pipe connection | raccord inférieur |
| 23 | 704813-0-00 | 1 | rondella | washer | rondelle |
| 24 | 701004-0-00 | 1 | anello di tenuta | retainer ring | bague d'étanchéité |
| 25 | 741082-2-00 | 2 | vite | screw | vis |
| 26 | 733507-0-00 | 1 | dado | nut | écrou |
| 27 | 206555-0-00 | 1 | ingranaggio | gear | engrenage |
| 28 | 206557-0-00 | 1 | chiavetta | key | clé |
| 29 | 308110-3-02 | 1 | corpo pompa aspirante | suction pump body | corps pompe admission |
| 30 | 308111-0-00 | 1 | coperchio pompa | pump cover | couvercle pompe |
| 31 | 741092-0-00 | 2 | vite fissaggio pompa | screw | vis |
| 32 | 308180-2-01 | 1 | raccordo mandata olio | pipe connection oil delivery | raccord envoi huile |
| 33 | 305666-0-00 | 1 | lamierino di protezione | sheet | plaque |
| 34 | 701032-0-00 | 1 | anello di tenuta | circlip | circlip |
| 35 | 206669-2-02 | 1 | indicatore livello olio | oil level gauge | indicateur niveau huile |



| Fig. N. Abb. N. | Part. N. Piece N. Bestell N. Pieza N. | Qt. Anzahl | DESCRIZIONE | DESCRIPTION | DESCRIPTION | BENENNUNG | DESCRIPTION |
|--------------------|------------------------------------------------|---------------|-----------------------------------------------------------------------------------------------|--------------------------------------------------------------------------------------|-----------------------------------------------------------------------------------------------|-----------|-------------|
| ● | 991408-4-02 | 1 | busta accessori completa | accessories envelope assembly | envelope accessoires complète | | |
| 1 | 991415-0-00 | 1 | busta accessori | accessories envelope | envelope accessoires | | |
| 2 | 990175-0-10 | 1 | oliatore | oilier | graisseur | | |
| 3 | 990474-0-11 | 1 | chiave esagonale da 1,5 mm | 1,5 mm hexagonal key | clé hexagonale de 1,5 mm | | |
| 4 | 990723-0-00 | 1 | cacciavite medio | screw-driver | tournevis moyen | | |
| 5 | 990188-0-10 | 1 | infilatura aghi | needles threading | enfiles aiguilles | | |
| 6 | 990193-0-00 | 1 | chiave da 5-7 mm | 5-7 mm key | clé de 5-7 mm | | |
| 7 | 990069-0-00 | 1 | cacciavite piccolo | screw driver | petite tournevis | | |
| 8 | 990587-0-11 | 1 | chiave a tubo da 9 mm | 9 mm key | clé à tube de 9 mm | | |
| 9 | 991280-0-00 | 1 | lattina olio | oil container | bidon huile | | |
| 10 | 990176-0-10 | 1 | pinza per infilatura | threading tweezers | pince pour enfilage | | |
| 11 | 990578-0-13 | 1 | cuffia protez. macchina | machine cover | couverture protection machine | | |
| 12 | ★ | 1 | bustina aghi | needles packet | paquette aiguilles | | |
| | | | ★ per l'ordinazione della bustina citare lo stesso simbolo dell'ago montato sulla testa | ★ to order packet of needles please specify symbol of needle fitted on machine | ★ pour commander un sachet d'aiguille donner le symbol de l'aiguille montée sur la tête | | |

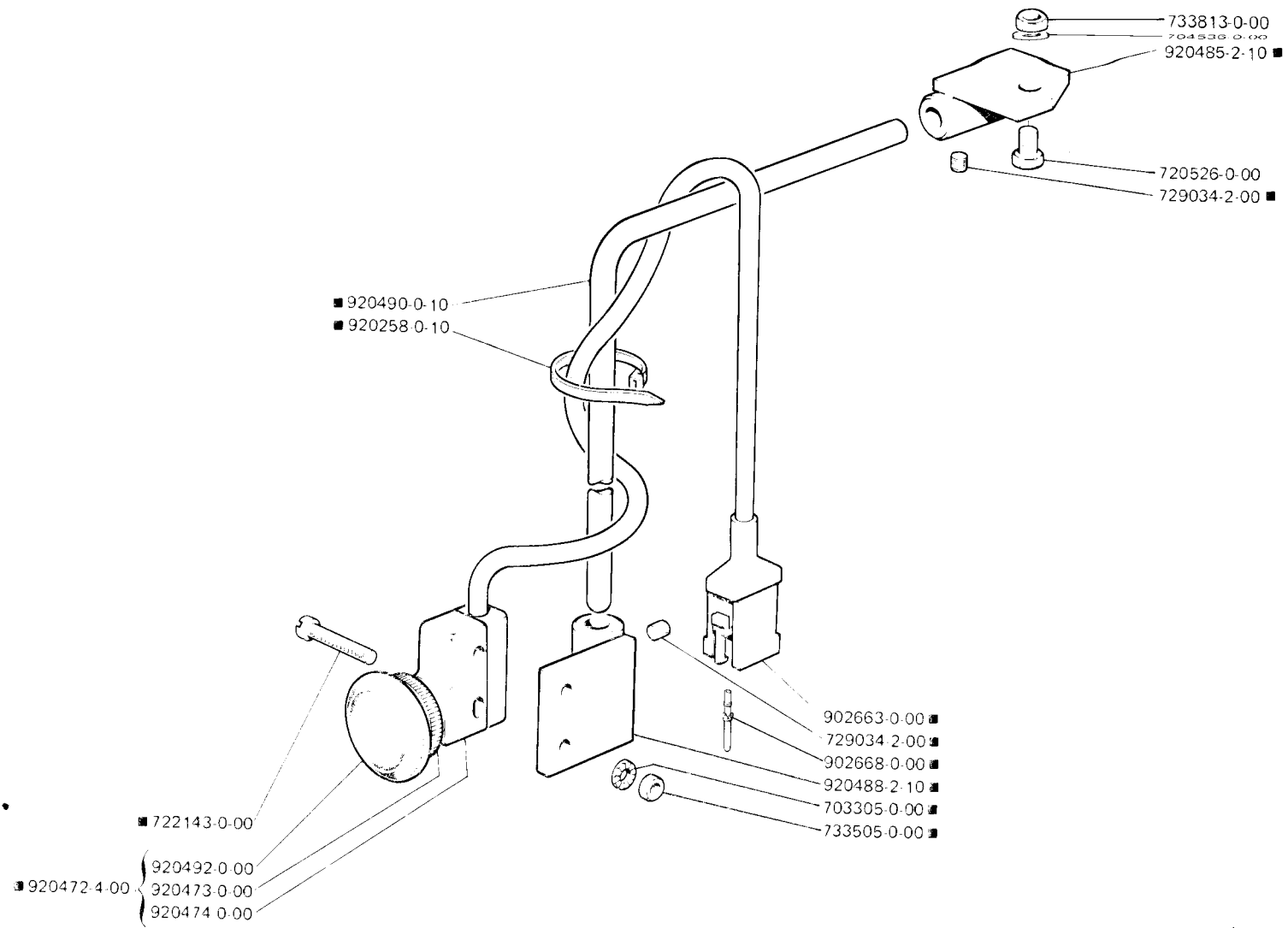


| Fig. N. Abb. N. | Part. N. Bestell N. Piece N. Pieza N. | Qt. Anzahl | DESCRIZIONE | DESCRIPTION | DESCRIPTION |
|--------------------|------------------------------------------------|---------------|---------------------------|-----------------------|-------------------------|
| ▲ | 991253-4-00 | 1 | supporto testa completo | head support assembly | support tête complet |
| 1 | 991251-4-00 | 1 | supporto testa con perno | head support with pin | support tête avec pivot |
| 2 | 990982-0-00 | 4 | ammortizzatore | shock absorber | amortisseur |
| 3 | 990694-0-11 | 4 | perno | pin | pivot |
| 4 | 991250-0-00 | 1 | supporto testa | head support | support tête |
| 5 | 733008-2-00 | 4 | dado | nut | écrou |
| 6 | 900203-0-10 | 4 | ammortizzatore per tavola | shock absorber | amortisseur pour table |
| 7 | 746409-2-00 | 1 | dado | nut | écrou |
| 8 | 704316-2-00 | 1 | rondella | washer | rondelle |
| 9 | 991256-0-00 | 1 | supportino per leva | support for lever | support pour levier |
| 10 | 991255-0-00 | 1 | leva | lever | levier |
| 11 | 991257-0-00 | 1 | perno | pin | pivot |
| 12 | 722905-2-00 | 4 | vite | screw | vis |
| 13 | 704346-2-00 | 4 | rondella | washer | rondelle |
| 14 | 700208-0-00 | 1 | anello elastico | spring ring | anneau ressort |
| 15 | 743541-2-00 | 1 | vite | screw | vis |
| 16 | 991259-3-00 | 1 | tirante | tie-rod | tirant |
| 17 | 704310-2-00 | 1 | rondella | washer | rondelle |
| 18 | 901102-0-00 | 4 | distanziale | spacer | entretoise |
| 19 | 901101-0-00 | 8 | ammortizzatore | shock absorber | amortisseur |
| 20 | 704345-2-00 | 4 | rondella | washer | rondelle |
| 21 | 733813-0-00 | 4 | dado | nut | écrou |
| 22 | 900201-0-10 | 13 | chiodini | rivets | clous |
| 23 | 990317-0-10 | 1 | protezione volante | handwheel protection | protection volant |
| 24 | 990179-4-11 | 1 | catenella | chain | chainette |
| 25 | 990675-0-10 | 1 | bocchetta | cup | bouche |

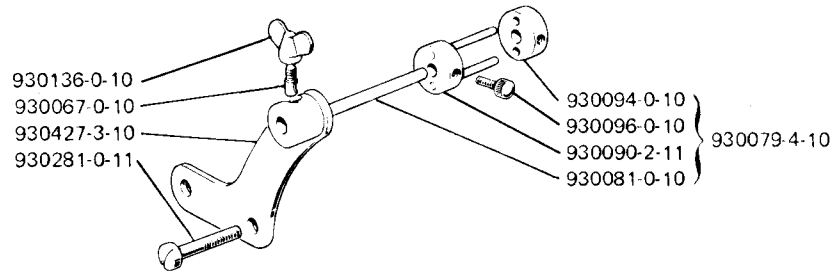


| Fig. N. Abb. N. | Part. N. Piece N. Bestell N. Pieza N. | Qt. Anzahl | DESCRIZIONE | DESCRIPTION | DESCRIPTION |
|--------------------|------------------------------------------------|---------------|---------------------------------|-----------------------------|-------------------------------|
| ▲ ★ | 991120-5-01 | 1 | porta bobine completo 3-4- fili | bobbin carrier 3-4- threads | porte bobine compl. 3-4- fils |
| ▲ | 991194-4-00 | 1 | telaio completo | frame assembly | bâti complet |
| 1 | 991108-2-01 | 2 | piattina | disc | plateau |
| 2 | 991268-0-00 | 16 | bussolina | bush | bague |
| 3 | 703005-0-00 | 6 | rondella elastica | spring washer | rondelle élastique |
| 4 | 722431-2-00 | 6 | vite | screw | vis |
| 5 | 991247-2-00 | 1 | traversa con mozzo | tie with hub | traverse avec moyeau |
| 6 | 991126-0-10 | 2 | piattina | disc | plateau |
| 7 | 729034-2-00 | 3 | vite | screw | vis |
| 8 | 991269-2-00 | 1 | supporto completo | support assembly | support complet |
| 9 | 991172-0-00 | 2 | distanziale | spacer | entretoise |
| 10 | 991174-0-00 | 1 | basetta | base | base |
| 11 | 733505-2-00 | 2 | dado | nut | écrou |
| 12 | 991264-2-00 | 1 | asta | rod | tige |
| 13 | 991279-2-00 | 1 | blocchetto | block | block |
| 14 | 733806-2-00 | 1 | dado | nut | écrou |
| 15 | 991206-0-00 | 1 | tubo | pipe | tube |
| 16 | 733211-2-00 | 1 | dado | nut | écrou |
| 17 | 991111-2-00 | 4 | astina con dadi | rod with nut | tige avec écrou |
| 18 | 991179-0-01 | 4 | disco | disc | disque |
| 19 | 991112-0-00 | 4 | piatto | disc | plateau |
| 20 | 991199-0-00 | 2 | traversa | tie | traverse |
| 21 | 733508-2-00 | 4 | dado | nut | écrou |
| 22 | 925433-0-00 | 4 | dado | nut | écrou |
| 23 | 731506-2-00 | 3 | vite da legno | screw | vis |
| | | | SOLO A RICHIESTA | ONLY ON REQUEST | SEULEMENT SUR DEMANDE |
| 24 | 991134-0-00 | 4 | centrabobine | bobbin center | centre bobine |

■ 929430-4-00



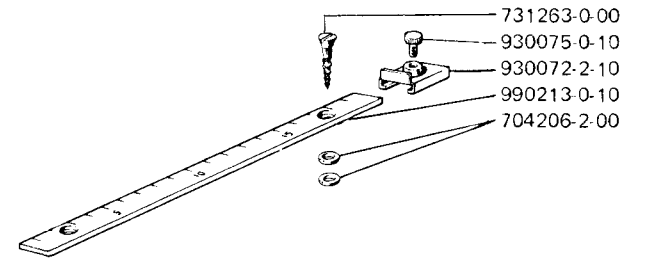
930428-4-10



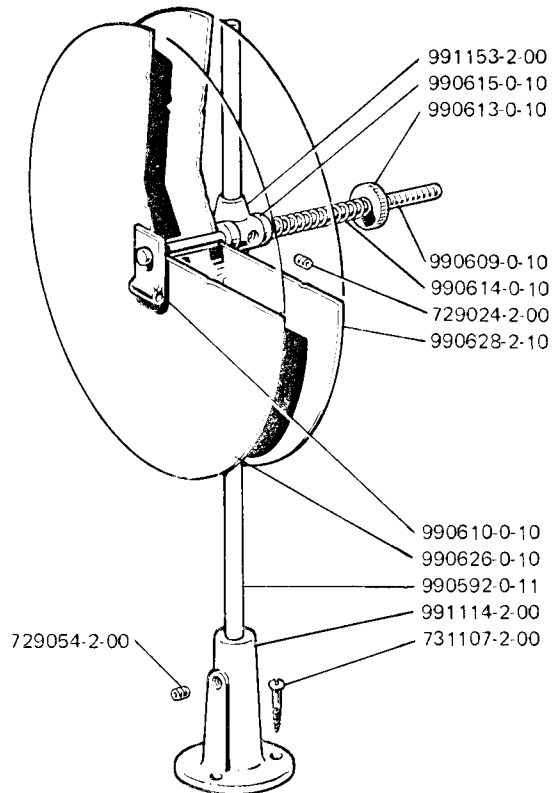
990214-4-11

263-34-2WR-21

SOLO A RICHIESTA
 ONLY ON REQUEST
 SEULEMENT SUR DEMANDE



990629-4-12



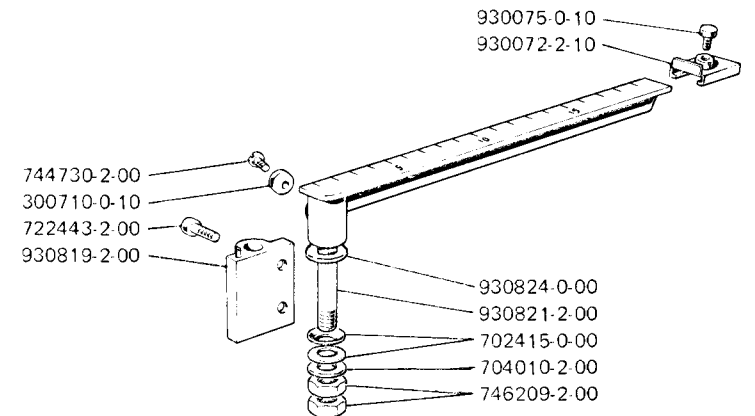
930105-0-10

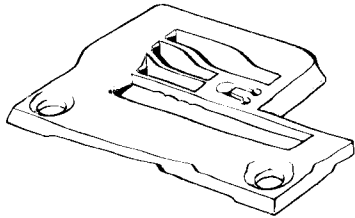
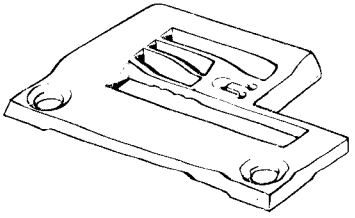
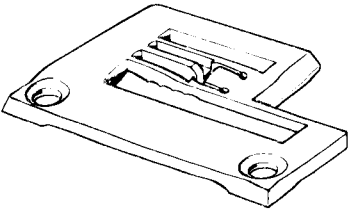
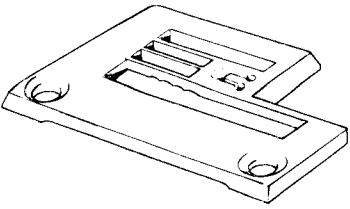
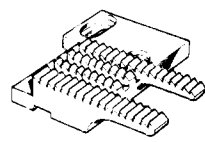
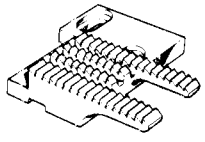
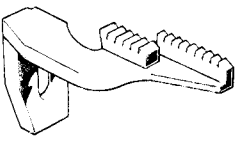
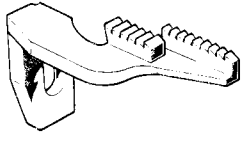
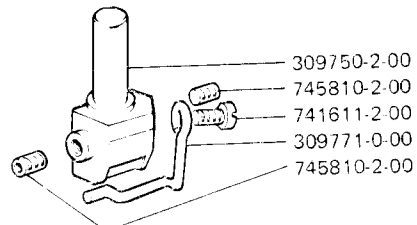
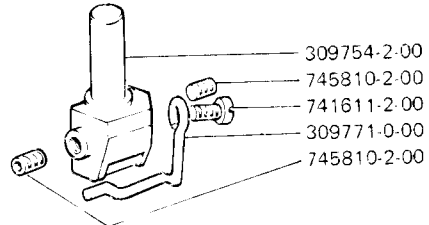
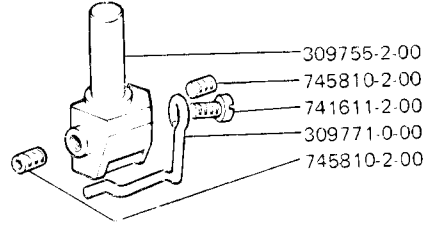
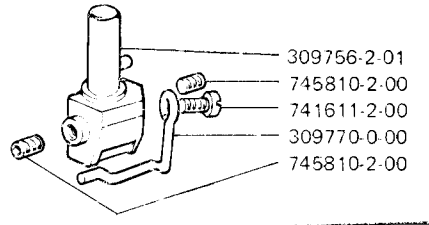

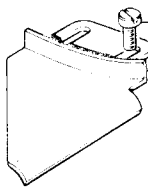
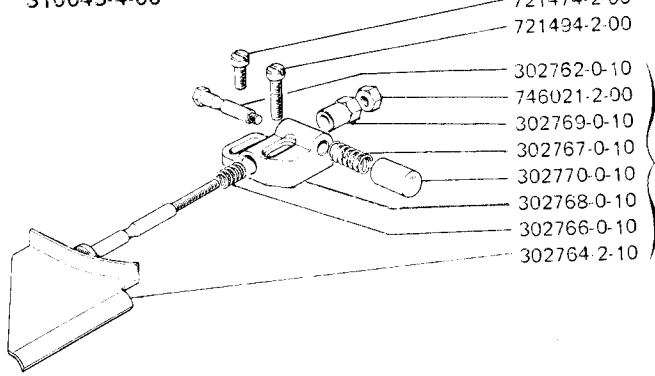


930820-4-00

263-34-2WR-21

SOLO A RICHIESTA
 ONLY ON REQUEST
 SEULEMENT SUR DEMANDE



| | | | |
|--------------------------------------------------------------------------------------------------------------------------------------------------------------------------------------------------------------------------------------------------------------------------------------|-------------------------------------------------------------------------------------------------------------------------------------------------------------------------------------------------------------------------------------------------------------------------------------|----------------------------------------------------------------------------------------------------------------------------------------------------------------------------------------------------------------------------------------------------------------------------------------------------------------------------------------------------------------------------------------|----------------------------------------------------------------------------------------------------------------------------------------------------------------------------------------------------------------------------------------------------------------------------------------|
| <p>302753-0-10 263-34-2WR-21</p>  <p>2,5</p> | <p>302754-0-10 263-34-2WR-22</p>  <p>3</p> | <p>302810-0-10 263-34-2WR-27</p>  <p>4,5</p> | <p>302811-0-10 263-34-2WR-20</p>  <p>3,5</p> |
| <p>302795-0-10 263-34-2WR-27</p>  <p>1,5</p> | <p>302796-0-10 263-34-2WR-20 263-34-2WR-21 263-34-2WR-22</p>  <p>1,5</p> | <p>302797-0-10 263-34-2WR-27</p>  <p>1,5</p> | <p>302798-0-10 263-34-2WR-20 263-34-2WR-21 263-34-2WR-22</p>  <p>1,5</p> |
| <p>309803-4-00 263-34-2WR-20</p>  <p>3,5</p> <ul style="list-style-type: none"> 309750-2-00 745810-2-00 741611-2-00 309771-0-00 745810-2-00 | <p>309804-4-00 263-34-2WR-22</p>  <p>3</p> <ul style="list-style-type: none"> 309754-2-00 745810-2-00 741611-2-00 309771-0-00 745810-2-00 | <p>309805-4-00 263-34-2WR-21</p>  <p>2,5</p> <ul style="list-style-type: none"> 309755-2-00 745810-2-00 741611-2-00 309771-0-00 745810-2-00 | <p>309806-4-01 263-34-2WR-27</p>  <p>4,5</p> <ul style="list-style-type: none"> 309756-2-01 745810-2-00 741611-2-00 309770-0-00 745810-2-00 |
| <p>766000-1-80</p>  | <p>310040-4-00</p>  <ul style="list-style-type: none"> 721434-2-00 302851-2-10 | <p>310043-4-00</p>  <ul style="list-style-type: none"> 721474-2-00 721494-2-00 302762-0-10 746021-2-00 302769-0-10 302767-0-10 302770-0-10 302768-0-10 302766-0-10 302764-2-10 <p>302765-4-10</p> | |

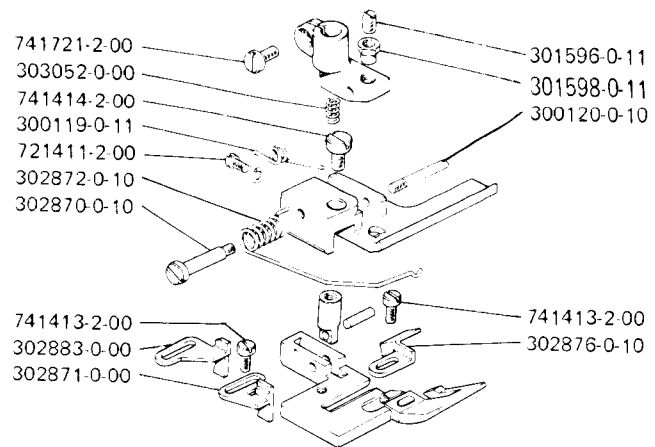
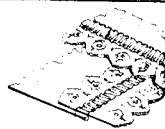
744730-2-00 vite placca ago

needle plate screw

vis plaque aiguille

302873-3-12

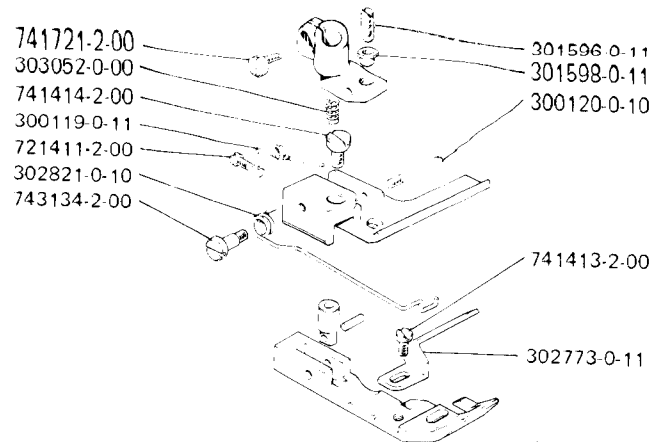
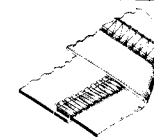
263-34-2WR-20
263-34-2WR-22



Per l'applicazione di pizzi rigidi con cucitura all'interno del bordo del pizzo distante 25 mm dal lato sinistro
For attaching non-elastic lace with a seam on an inner part of lace up to 25 mm from left hand edge
Pour l'application de dentelles rigides avec une couture au milieu de la dentelle jusqu'à une distance maximum de 25 mm du bord gauche

304407-3-11

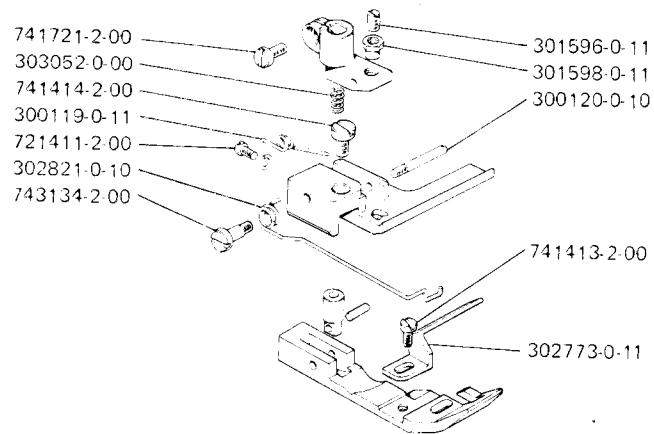
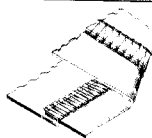
263-34-2WR-20
263-34-2WR-22



Per l'applicazione di elastici e pizzi elastici con larghezza max 40 mm
For attaching of elastics and elastics lace with width max 40 mm
Pour l'application d'élastiques et dentelles élastiques avec largeur max 40 mm

304408-3-11

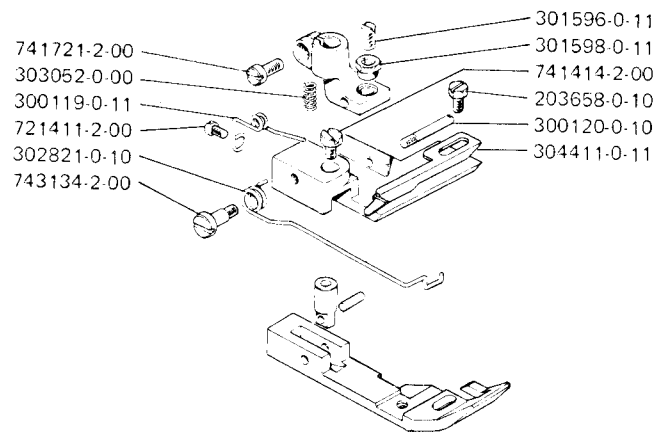
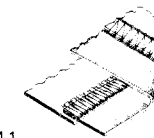
263-34-2WR-21



Per l'applicazione di elastici e pizzi elastici con larghezza max 40 mm
For attaching of elastics and elastics lace with width max 40 mm
Pour l'application d'élastiques et dentelles élastiques avec largeur max 40 mm

304488-3-11

263-34-2WR-27



Per l'applicazione di elastici e pizzi elastici con larghezza max 40 mm
For attaching of elastics and elastics lace with width max 40 mm
Pour l'application d'élastiques et dentelles élastiques avec largeur max 40 mm