

SOMMARIO - SUMMARY - SOMMAIRE

TAVOLA TABLE	DESCRIZIONE	DESCRIPTION	DESCRIPTION	125-10	125-11	125-20	125-21	125-30	125-31	125-80	127-10	127-20	127-30	127-80
1/A	GINOCCHIELLO	KNEE-PRESS	GENOUILLERE	•	•									
1/B	GINOCCHIELLO	KNEE-PRESS	GENOUILLERE								•			
2/A	CILINDRO ALZAPIEDINO	PRESSER-FOOT LIFTER CYLINDER	CYLINDRE-SOULEVE PIED PRESSEUR	•		•		•		•				
2/B	CILINDRO ALZAPIEDINO	PRESSER-FOOT LIFTER CYLINDER	CYLINDRE-SOULEVE PIED PRESSEUR	•		•		•		•				
2/C	CILINDRO ALZAPIEDINO	PRESSER-FOOT LIFTER CYLINDER	CYLINDRE-SOULEVE PIED PRESSEUR		•		•		•	•				
2/D	CILINDRO ALZAPIEDINO	PRESSER-FOOT LIFTER CYLINDER	CYLINDRE-SOULEVE PIED PRESSEUR								•	•	•	•
3	TIRANTE ALZAPIEDINO	PRESSER-FOOT LIFTER TIE-ROD	TIRANT-SOULEVE PIED PRESSEUR								•	•	•	•
4	TIRANTE MOTORE	MOTOR TIE-ROD	TIRANT MOTEUR					•	•	•			•	•
5/A	GRUPPO F.R.L.	F.R.L. ASSEMBLY	GROUPE F.R.L.	•	•	•	•	•	•		•	•	•	
5/B	GRUPPO F.R.L.	F.R.L. ASSEMBLY	GROUPE F.R.L.							•				•
6	PEDALINA	PEDAL	PEDALE			•	•					•		

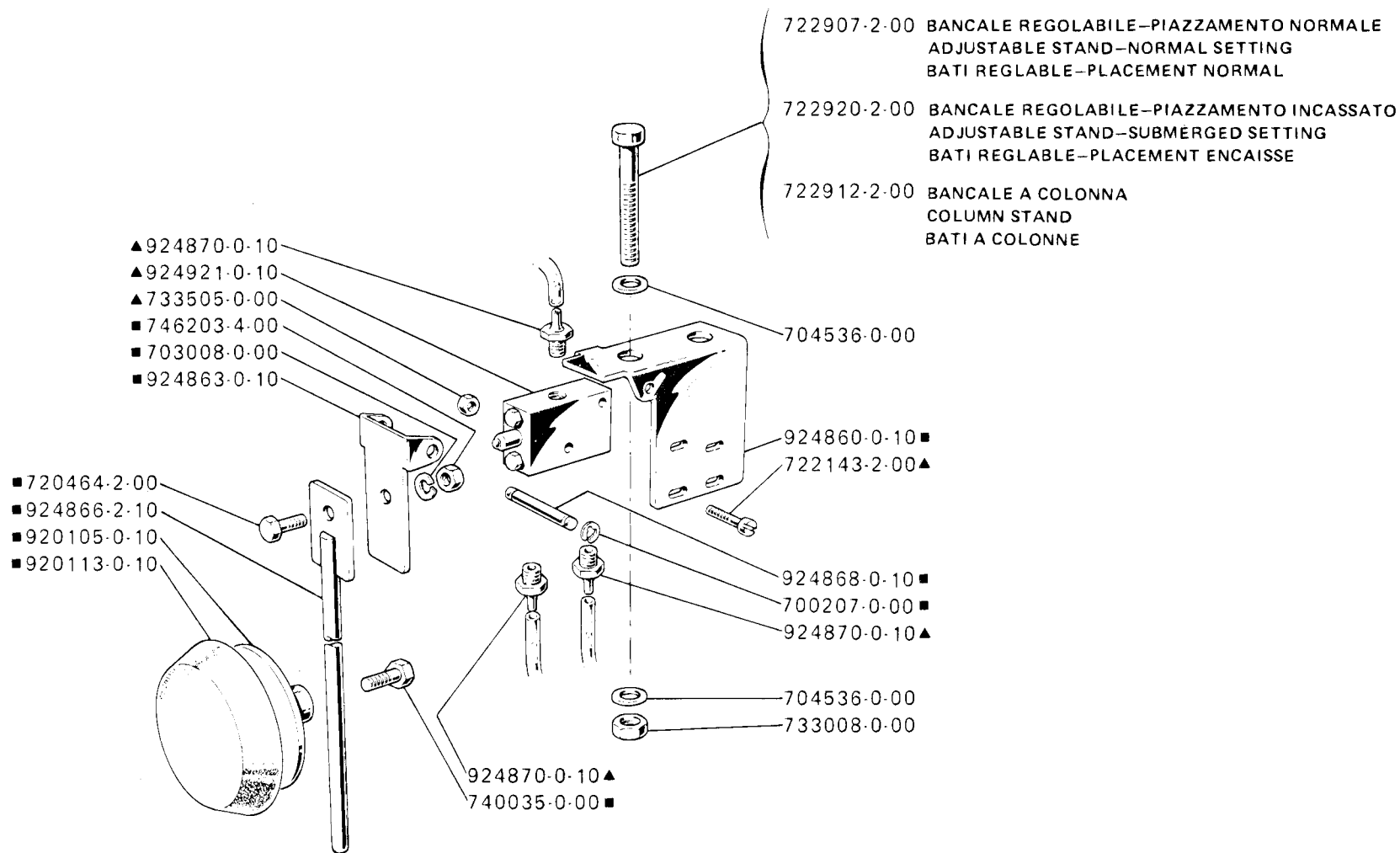
APPARECCHIATURE - ATTACHMENTS - DISPOSITIFS

125-10	127-10
125-11	127-20
125-20	127-30
125-21	127-80
125-30	
125-31	
125-80	

EDIZIONE - EDITION 9/83

**n. 290**

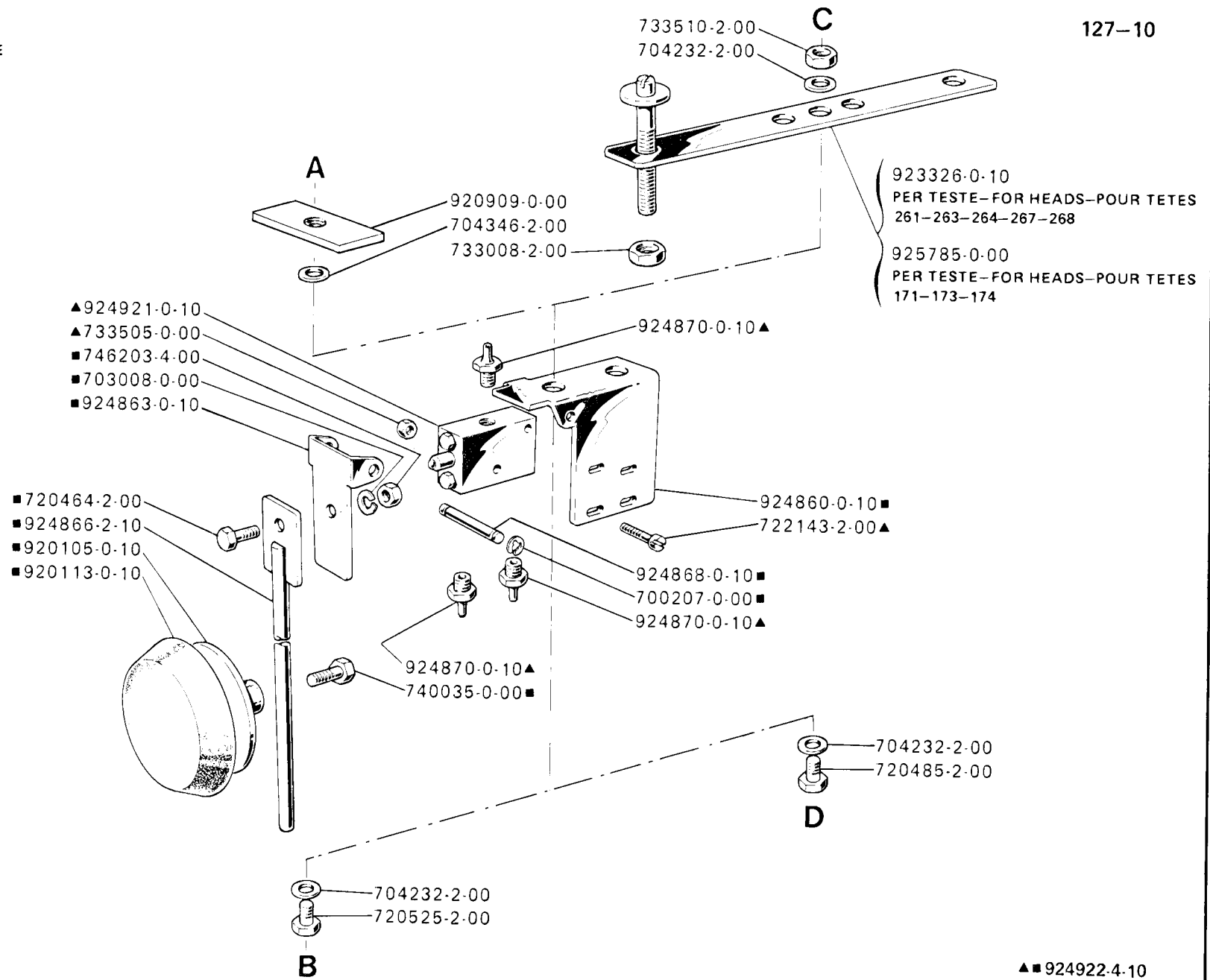
125-10  
125-11



▲ ■ 924922-4-10  
■ 924864-4-10

A-B BANCALE REGOLABILE  
ADJUSTABLE STAND  
BATI REGLABLE

C-D BANCALE A COLONNA  
COLUMN STAND  
BATI A COLONNE



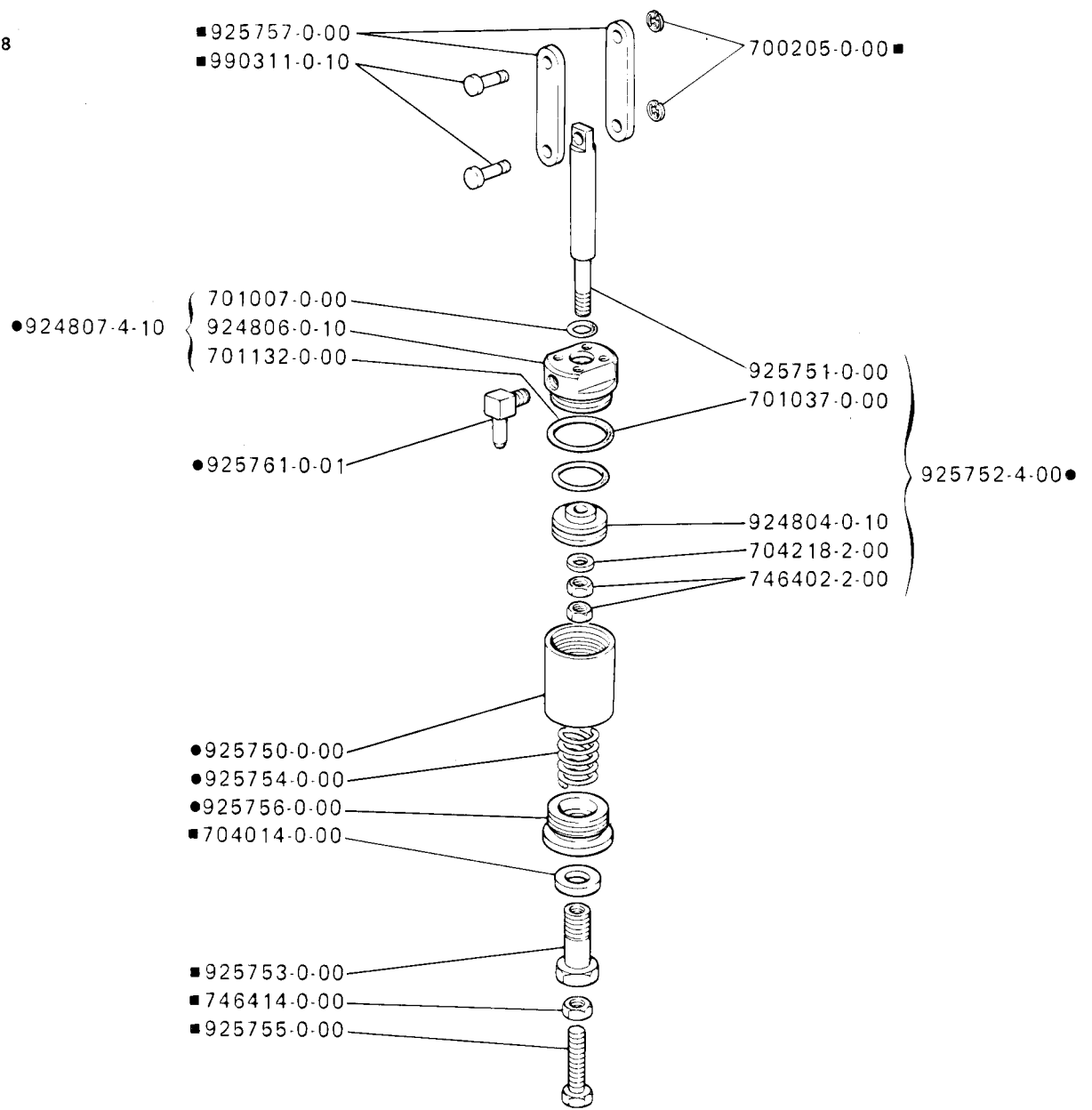
▲■924922-4-10  
■924864-4-10

125-10  
 125-20  
 125-30  
 125-80 PER TESTE-FOR HEADS-POUR TETES 028/228

BANCALE REGOLABILE/COLONNA  
 PIAZZAMENTO NORMALE

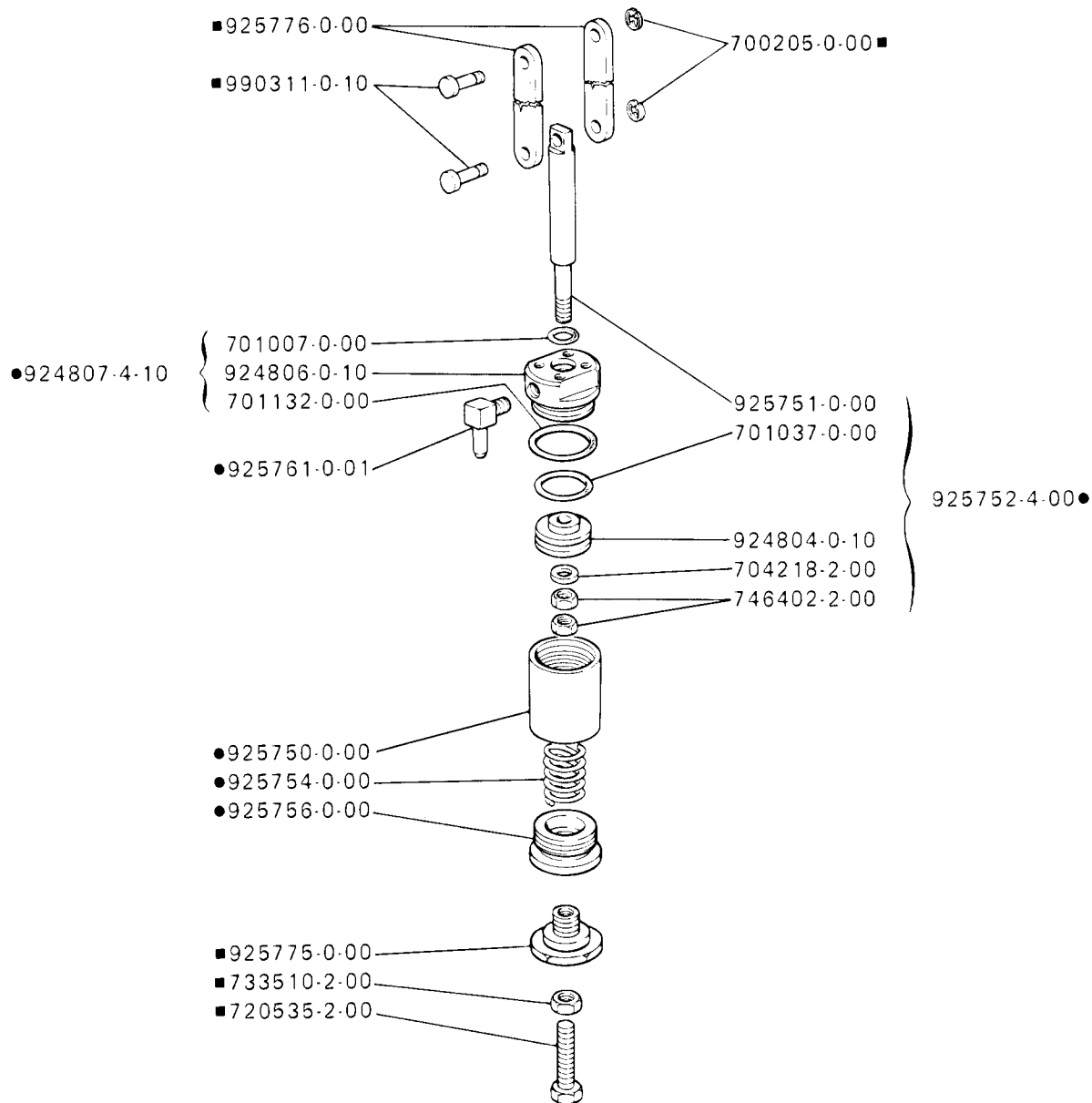
ADJUSTABLE/COLUMN STAND  
 NORMAL SETTING

BATI REGLABLE/COLONNE  
 PLACEMENT NORMAL



925759-5-00  
 925758-4-00

125-10  
 125-20  
 125-30  
 125-80 PER TESTE-FOR HEADS-POUR TETES 028/228



BANCALE REGOLABILE  
 PIAZZAMENTO INCASSATO

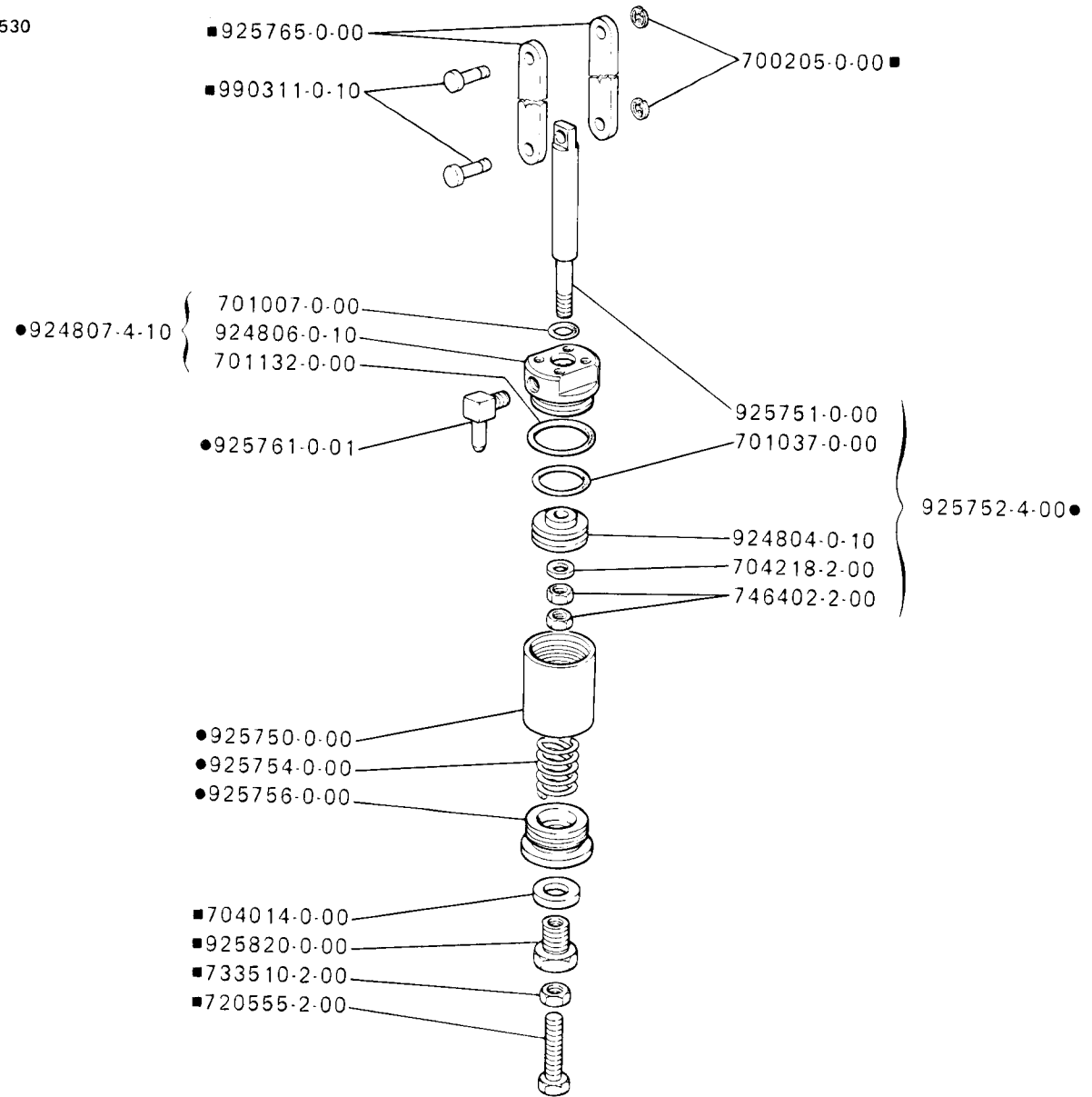
ADJUSTABLE STAND  
 SUBMERGED SETTING

BATI REGLABLE  
 PLACEMENT ENCAISSE

925777-5-00  
 925758-4-00

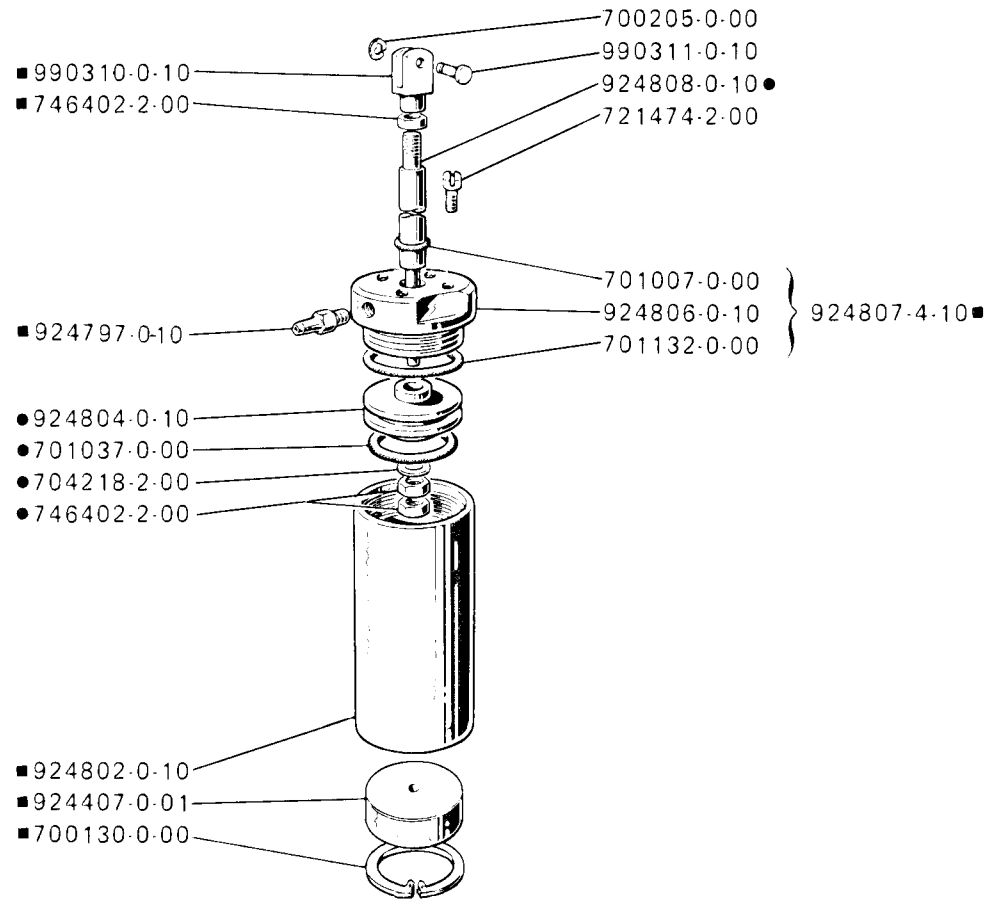
125-11  
 125-21  
 125-31  
 125-80 PER TESTE-FOR HEADS-POUR TETES 527/529/530

BANCALE REGOLABILE  
 PIAZZAMENTO NORMALE/INCASSATO  
 ADJUSTABLE STAND  
 NORMAL/SUBMERGED SETTING  
 BATI REGLABLE  
 PLACEMENT NORMAL/ENCAISSE



■● 925764-5-00  
 ● 925758-4-00

127-10  
127-20  
127-30  
127-80



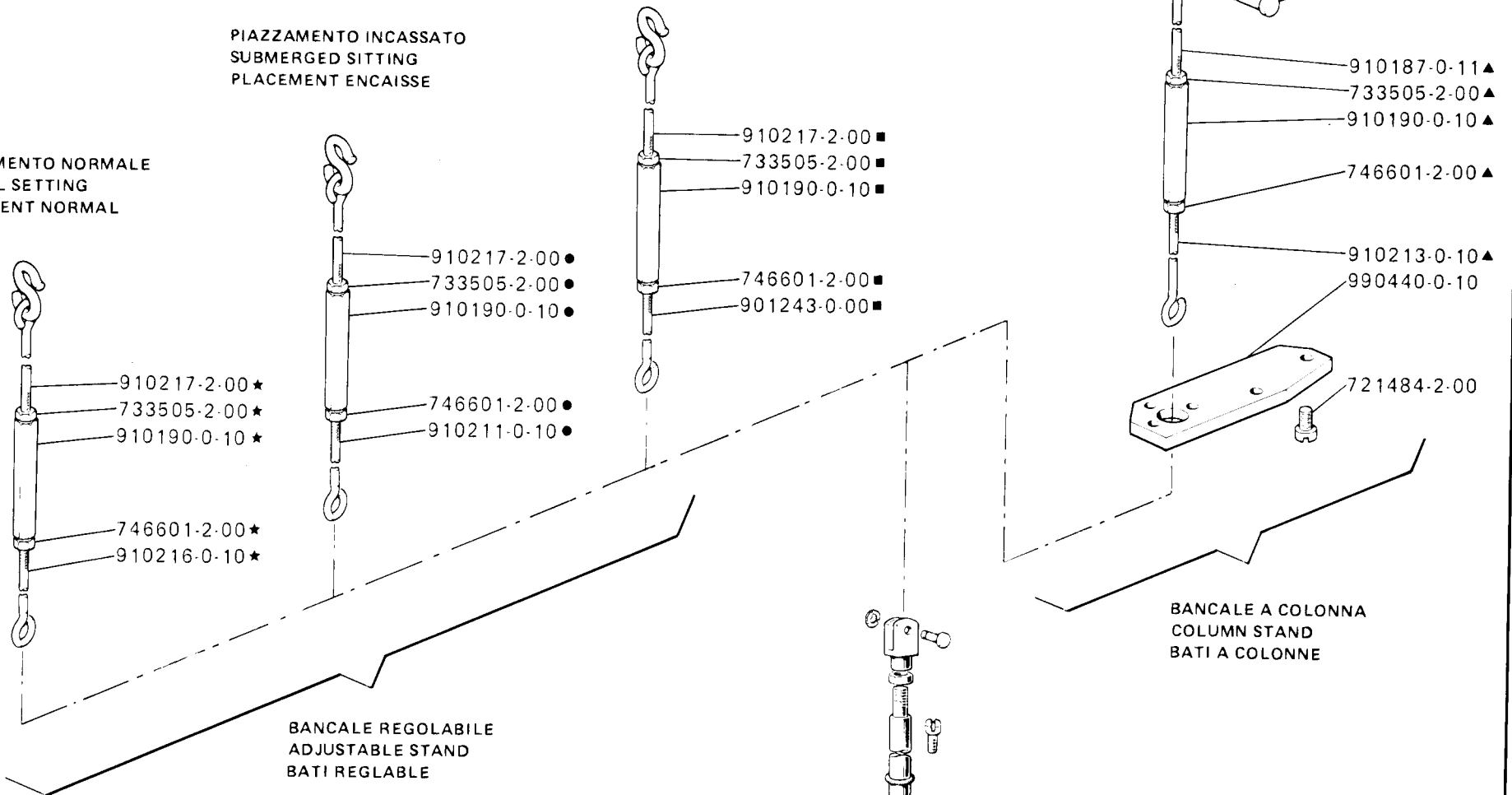
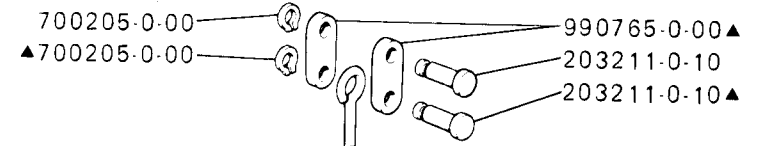
●● 924408-4-00  
● 924805-4-10

127-10  
 127-20  
 127-30  
 127-80

PIAZZAMENTO NORMALE/INCASSATO  
 NORMAL/SUBMERGED SITTING  
 PLACEMENT NORMAL/ENCAISSE  
 PER TESTE-FOR HEADS-POUR TETES  
 171-173-174-176-177

PIAZZAMENTO INCASSATO  
 SUBMERGED SITTING  
 PLACEMENT ENCAISSE

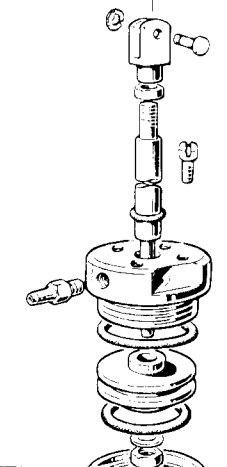
PIAZZAMENTO NORMALE  
 NORMAL SETTING  
 PLACEMENT NORMAL



BANCALE A COLONNA  
 COLUMN STAND  
 BATI A COLONNE

BANCALE REGOLABILE  
 ADJUSTABLE STAND  
 BATI REGLABLE

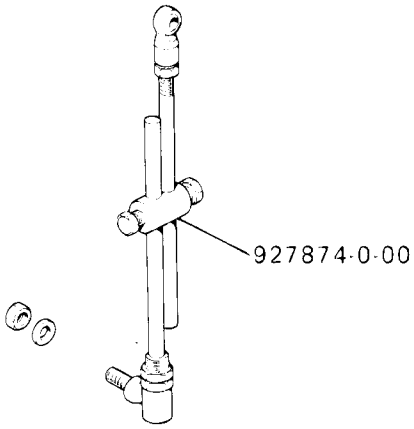
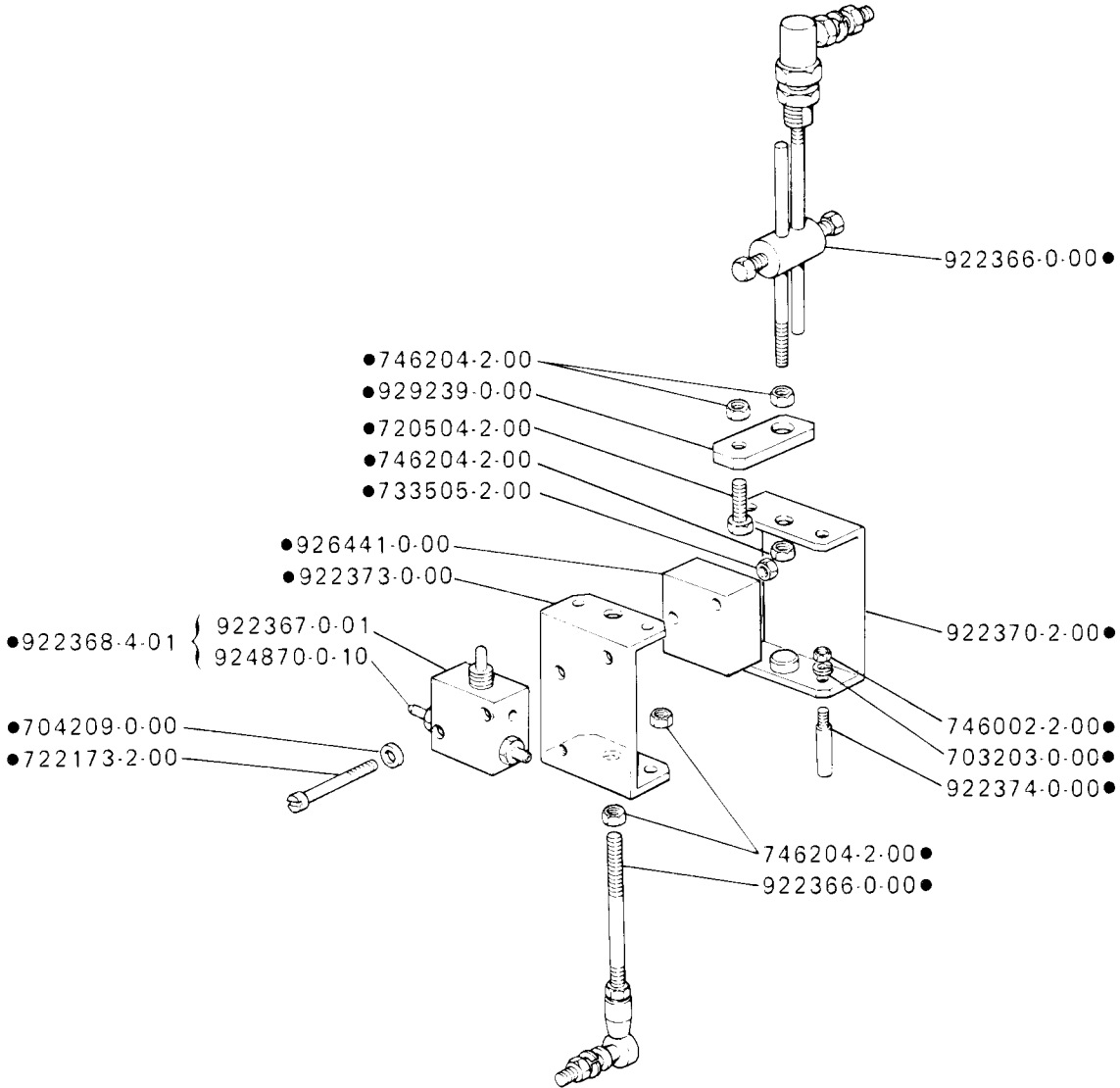
★ 910215-4-10  
 ● 910210-4-10  
 ■ 901244-4-00  
 ▲ 910214-4-11





125-30  
125-31  
127-30

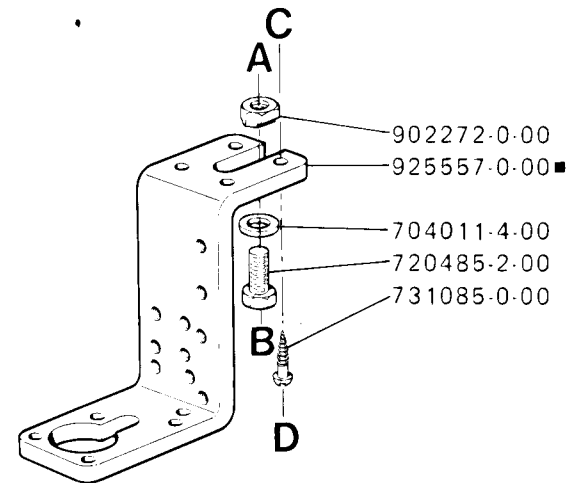
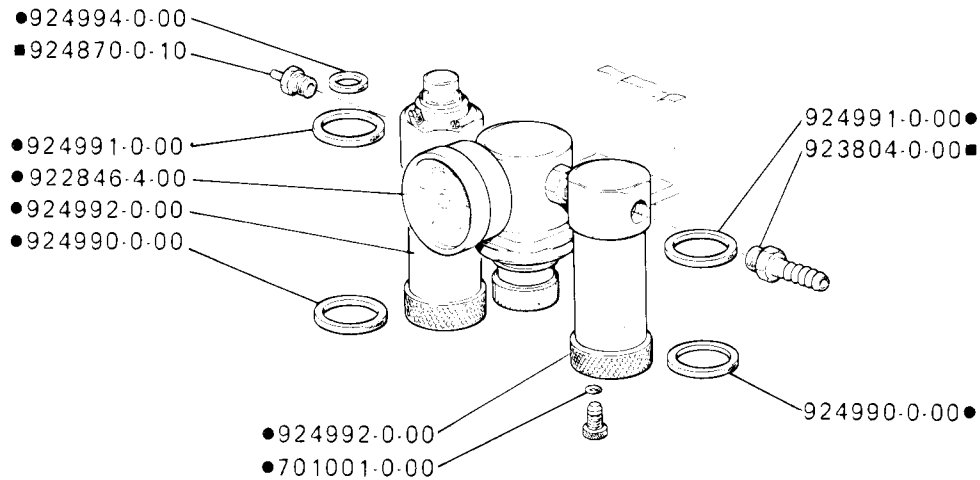
125-80  
127-80



●925795-4-01

925874-0-00

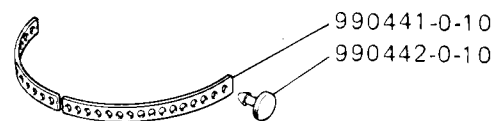
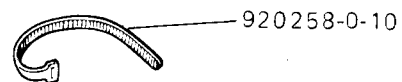
- 125--10
- 125-11
- 125-20
- 125-21
- 125-30
- 125-31
- 127-10
- 127-20
- 127-30



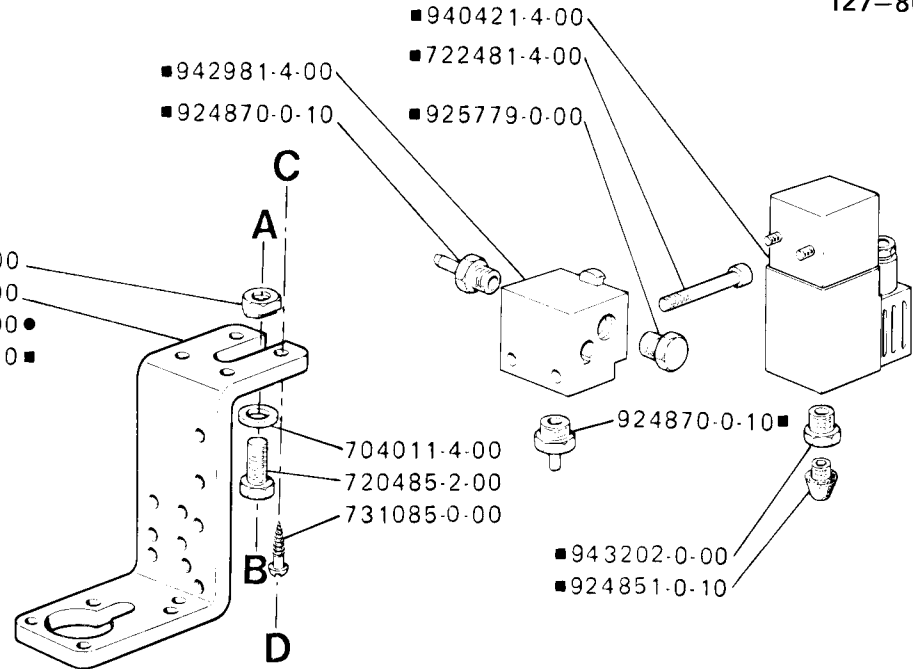
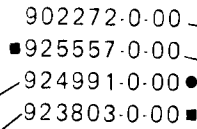
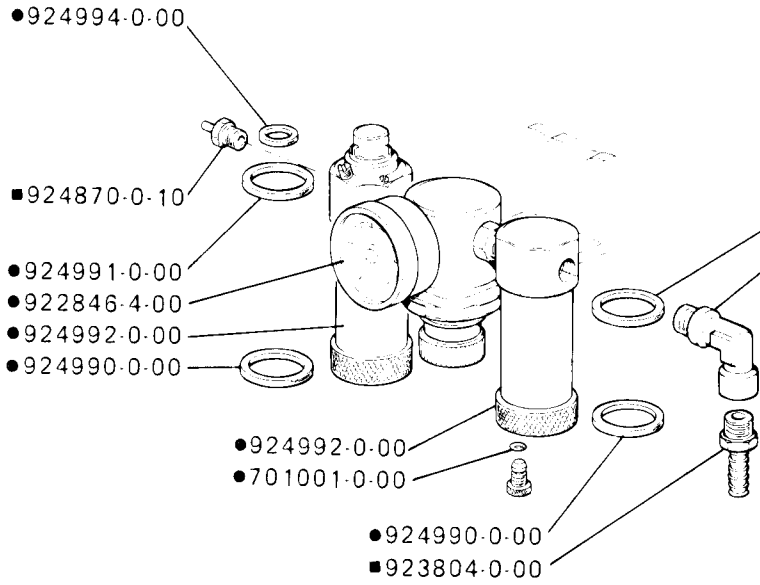
A-B BANCALE REGOLABILE  
ADJUSTABLE STAND  
BATI REGLABLE

C-D BANCALE A COLONNA  
COLUMN STAND  
BATI A COLONNE

- 925760-4-00
- 925772-4-10



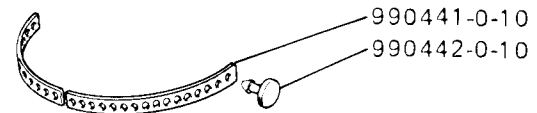
125-80  
127-80



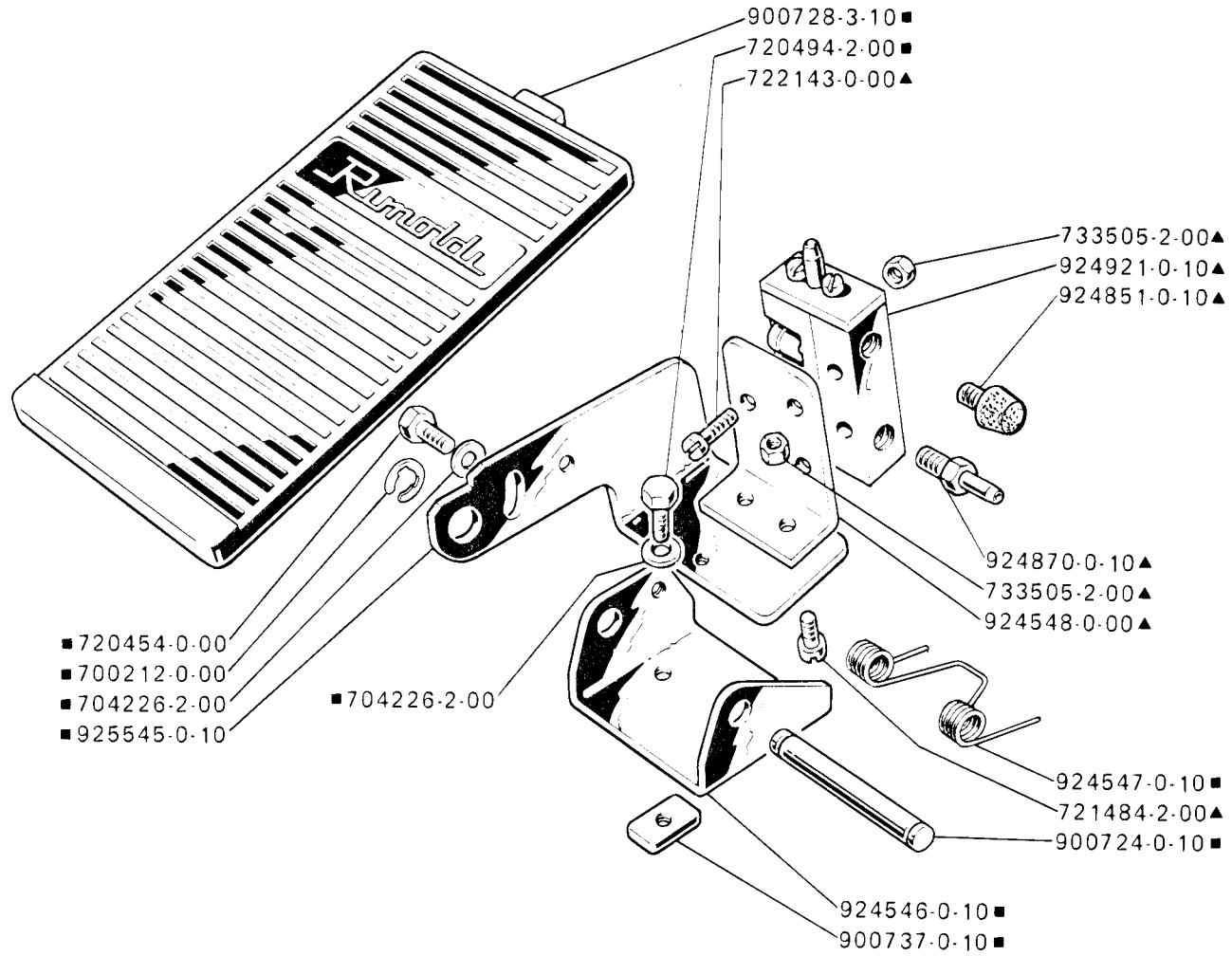
A-B BANCALE REGOLABILE  
ADJUSTABLE STAND  
BATI REGLABLE

C-D BANCALE A COLONNA  
COLUMN STAND  
BATI A COLONNE

■●926850-4-00  
●925772-4-10



125-20  
 125-21  
 127-20



▲ ■ 925792-4-00  
 ■ 925549-4-10