

527-00-2CD-14	527-00-2CD-18	527-00-2CD-47
527-00-2CD-12	527-00-2CD-32	527-01-2CD-05
527-00-2CD-13	527-00-2CD-38	527-01-2CD-06
527-00-2CD-15	527-00-2CD-41	527-01-2CD-20
527-00-2CD-16	527-00-2CD-44	527-22-2CD-06
527-00-2CD-17	527-00-2CD-45	

n. 248
EDIZIONE · EDITION 7/81

Il presente Catalogo Pezzi di Ricambio è costituito da due parti: la prima, definita come "Catalogo base", comprende i particolari montati sulla testa più significativa (la prima dell'elenco in copertina); la seconda comprende tutti i particolari delle altre teste basi o derivate, che differiscono da quella del Catalogo base.

Le Teste basi sono elencate in copertina con un carattere più grande rispetto a quello delle derivate.

Nella consultazione del Catalogo tenere presente che:

1. Tutti i particolari non fornibili sciolti non vengono richiamati singolarmente, ma soltanto illustrati nel gruppo d'appartenenza.
2. I riferimenti delle figure dei particolari che compongono il gruppo sono di norma raggruppati in una parentesi. In alcuni casi però, dove non è possibile il raggruppamento, i numeri che nelle tavole illustrative richiamano i singoli pezzi sono affiancati dallo stesso segno particolare, con cui è indicato l'intero gruppo.
3. Sulle tavole relative alle altre teste sono elencati tutti i particolari diversi o non montati sulla testa del Catalogo Base.
Dette tavole portano in alto a destra il simbolo della testa cui si riferiscono (con indicato fra parentesi - nel caso di derivata - il simbolo della testa da cui deriva).
I disegni di questo gruppo di tavole illustrano soltanto i pezzi nuovi o sostanzialmente diversi rispetto a quelli montati sulla testa più significativa del Catalogo.
I particolari richiamati come simbolo, ma non illustrati, conservano lo stesso numero di figura dei corrispondenti raffigurati sul Catalogo base.
I particolari comuni a tutte le teste comprese nel Catalogo, vengono richiamati soltanto nel primo gruppo di tavole.
I particolari definiti come "pezzi annullati" si intendono quelli non montati sulla testa a cui la tavola si riferisce. Nel caso di un gruppo annullato, viene indicato soltanto il simbolo del gruppo, ma devono intendersi annullati anche tutti i particolari componenti il gruppo stesso.
Per ogni testa viene sempre riportata interamente la tavola relativa agli organi di cucitura.

Per facilitare la ricerca viene riportato l'indice numerico di tutti i particolari illustrati sul Catalogo base, con la relativa tavola in cui gli stessi sono richiamati.

AGHI

Gli aghi sono contraddistinti dal sistema e dalla finezza, la quale indica il diametro medio espresso in centesimi di millimetro.

Il sistema dell'ago e la finezza sono marcati oltre che sulla busta, anche sull'ago stesso.

Nelle ordinazioni precisare, oltre il simbolo, il sistema e la finezza degli aghi desiderati. In caso di dubbio, allegare, un ago campione o una bustina vuota.

AVVERTENZA

Nella richiesta di parti di ricambio citare sempre il relativo numero di matricola della macchina, il simbolo del particolare e la denominazione ufficiale usata sul catalogo.

This spare parts catalogue is made up of two parts: in the first one, called "basic catalogue", all the details of most representative head are listed (the first head listed on the cover), the second one includes the details of the other main heads or derived ones, which are different from that of the basic catalogue

The main heads are listed on the cover in bigger lettering to distinguish them from the derived heads.

When you consult the catalogue will you please note that:

- 1 all parts which cannot be supplied by themselves are not indicated alone, but shown together with the group to which they belong;
- 2 the references of the pictures of the parts making up the group are usually put in brackets
In some cases, however, when their grouping is not possible, the numbers of the various parts in the tables are marked with the same particular sign with which the whole group is indicated.
- 3 In the tables of the other heads there are listed all the parts not fitted on the head in the basic catalogue
These tables are marked at the top right hand corner with the symbol of the head which the table refers to
The drawings in this group of tables show only the parts which are new or basically different from those fitted on the most representative head in the catalogue
The parts which are represented only by the symbol but not illustrated keep the same figure number as the corresponding parts shown in the basic catalogue
The parts which are common to all the heads in the catalogue are listed only in the first group of tables.
Parts marked "annulled part" are those not fitted on the head which the table refers to
When an assembly has been annulled only the assembly symbol is specified, but all the parts forming the assembly must also be considered annulled
For each head the table for sewing parts is always repeated completely

To make it easier to locate the parts, the reference numbers of all of those shown in the basic catalogue are listed together with the number of the table in which they are to be found

NEEDLES

The needles are marked with system and size, the size indicates the average diameter in hundredths of a millimeter

The system and size of the needle are shown on the packet as well as on the needle itself
When ordering please state symbol, system and size. If you have doubts, enclose a sample needle or an empty packet with your order

ATTENTION

When ordering spare parts always state the serial number of the machine, the symbol of the part in question and the description given in the catalogue

Ce catalogue "pieces detachees" est formé de deux parties: la premiere appelee "catalogue base" comprend toutes les pieces montees sur la tete la plus significative (celle en tête de la liste de couverture), la seconde comprend toutes les pieces montees sur les autres tetes de base ou derivees qui sont differentes de celle du "catalogue base"

Les tetes de base sont enumerees sur la couverture, en caracteres plus grands que les tetes derivees

Lorsque l'on consulte le catalogue, se souvenir que

- 1 Toutes les pieces qui ne sont pas fournies separement mais qui font partie d'un groupe, ne sont pas indiquees separement
- 2 Les symboles des pieces qui forment un groupe sont regroupes entre parentheses
Cependant, lorsque ceci n'a pas ete possible, les symboles, qui dans les tables d'illustration correspondent aux pieces, sont suivis du meme signe particulier qui indique le groupe tout entier
- 3 Dans les tables relatives aux autres tetes, nous avons indique toutes les pieces differentes de celles de tete du "catalogue base" ou qui ne sont pas montees sur ces dernieres
Ces tables portent, en haut a droite, le symbole des tetes auxquelles elles se referent (pour les derivees, le symbole de la tete de laquelle elles derivent est indique entre parentheses)
Les dessins de ce groupe de tables representent seulement les nouvelles pieces ou celles qui sont differentes des pieces montees sur la tete la plus significative du catalogue
Les pieces indiquees par un symbole, mais qui ne sont pas illustrees, gardent le meme numero de dessin que celles correspondantes, illustrees sur le catalogue base
Les pieces communes a toutes les tetes du catalogue, sont indiquees seulement dans le premier groupe de tables
Les pieces definies comme "pieces annulees" sont celles qui ne sont pas montees sur la tete a laquelle se refere la table
Dans le cas de l'annulation d'un groupe, nous indiquons seulement le symbole du groupe, mais toutes les pieces qui forment ce groupe sont annulees
Pour chaque tete est toujours indiquee la table se referant aux organes de couture

Pour faciliter la recherche, le catalogue renferme l'index numerique de toutes les pieces illustrees avec indication de la table dans laquelle elles sont indiquees

AIGUILLES

Les aiguilles se differentient par le systeme et la grosseur, laquelle indique le diametre moyen exprime en centiemes de millimetre

Le systeme de l'aiguille et sa grosseur, sont indiquees non seulement sur le sachet mais egalement sur l'aiguille

Dans la commande, preciser, en plus du symbole, le systeme et la grosseur des aiguilles desirees
En cas de doute, joindre une aiguille comme modele ou un sachet vide

ATTENTION

Dans la commande de pieces detachees, indiquer toujours le numero de la machine, le symbole de la piece et la denomination officielle mentionnee sur le catalogue

TAV. N. TAB. N.	DESCRIZIONE	DESCRIPTION	DESCRIPTION
1	COPERCHIO E PIANO DI LAVORO	COVER AND WORKING PLATE	COUVERCLE ET PLAN DE TRAVAIL
2	SPORTELLLO E CARTER ANTERIORE	COVER AND FRONT CARTER	COUVERCLE ET CARTER AVANT
3	COPERCHIO CON TENS. E PASSAFILI	COVER WITH TENS.AND THREAD GUIDE	COUVERCLE AVEC TENSIONS ET PASSE-FILS
4	ALBERO PRINCIPALE CON ECCENTRICO	MAIN SHAFT WITH ECCENTRIC	ARBRE PRINCIPAL AVEC EXCENTRIQUE
5	COMANDO GRIFFA CON ECCENTR. REG.	FEED DOG CONTROL WITH ECCENTRIC	COMM. GRIFFE AVEC EXCENTRIQUE
6	GR. MANIC. E PORTA CROCHET SUP. INF.	COUPLING ASS. AND UPPER-LOWER LOOPER	GROUPE MANCHON ET CROCHET SUP. INF.
7	CINEMATISMO BARRA AGO	NEEDLE BAR CONTROL	CINEMATISME BARRE-AIGUILLE
8	SUPPORTO E LEVA PREMISTOFFA	SUPPORT AND PRESSER LEVER	SUPPORT ET LEVIER PRESSE-TISSUE
9	PORTA COLTELLI	KNIVES HOLDER	PORTE COUTEAUX
10	BACINELLA E POMPA OLIO	OIL SUMP AND OIL PUMP	RESERVOIR ET POMPE A HUILE
11	ORGANI DI CUCITURA	SEWING PARTS	ORGANES DE COUTURE
12	ACCESSORI IN DOTAZIONE	AUXILIARY EQUIPMENT	ACCESSOIRES EN DOTATION
13	GRUPPO GINOCCHIELLO	KNEE-PRESS ASSEMBLY	GROUPE GENOUILLERE
14	PIAZZAMENTO NORMALE	NORMAL SETTING	INSTALLATION NORMALE
15	PIAZZAMENTO INCASSATO	SUBMERGED SETTING	INSTALLATION ENCASTREE
16	PORTA BOBINE	BOBBIN CARRIER	PORTE BOBINE
17	TESTA 527-00-2CD-12	527-00-2CD-12 HEAD	TETE 527-00-2CD-12
18	TESTA 527-00-2CD-13	527-00-2CD-13 HEAD	TETE 527-00-2CD-13
19	TESTA 527-00-2CD-15	527-00-2CD-15 HEAD	TETE 527-00-2CD-15
20	TESTA 527-00-2CD-16	527-00-2CD-16 HEAD	TETE 527-00-2CD-16
21	TESTA 527-00-2CD-17	527-00-2CD-17 HEAD	TETE 527-00-2CD-17
22	TESTA 527-00-2CD-18	527-00-2CD-18 HEAD	TETE 527-00-2CD-18
23	TESTA 527-00-2CD-32	527-00-2CD-32 HEAD	TETE 527-00-2CD-32
24	TESTA 527-00-2CD-38	527-00-2CD-38 HEAD	TETE 527-00-2CD-38
25	TESTA 527-00-2CD-41	527-00-2CD-41 HEAD	TETE 527-00-2CD-41
26	TESTA 527-00-2CD-44	527-00-2CD-44 HEAD	TETE 527-00-2CD-44
27	TESTA 527-00-2CD-45	527-00-2CD-45 HEAD	TETE 527-00-2CD-45
28	TESTA 527-00-2CD-47	527-00-2CD-47 HEAD	TETE 527-00-2CD-47
29	TESTA 527-01-2CD-05	527-01-2CD-05 HEAD	TETE 527-01-2CD-05
30	TESTA 527-01-2CD-06	527-01-2CD-06 HEAD	TETE 527-01-2CD-06
31	TESTA 527-01-2CD-20	527-01-2CD-20 HEAD	TETE 527-01-2CD-20
32	TESTA 527-22-2CD-06	527-22-2CD-06 HEAD	TETE 527-22-2CD-06

INDICE NUMERICO INDEX

Part. N.	Tav. N.	Part. N.	Tav. N.	Part. N.	Tav. N.	Part. N.	Tav. N.	Part. N.	Tav. N.	Part. N.	Tav. N.	Part. N.	Tav. N.
100305-0-10	3	202398-0-10	1	206410-3-00	6	206595-0-00	5	206693-0-00	4	207096-2-00	6	207945-0-00	5
100620-2-10	5	202408-0-10	5	206415-4-00	6	206598-2-00	5	206695-0-00	6	207421-0-00	9	207946-0-00	5
200490-0-00	5	202412-0-11	5	206451-4-00	6	206599-0-01	5	206697-4-01	4	207512-4-00	11	207947-0-00	5
200662-0-10	9	202473-0-11	5	206452-4-00	6	206602-0-00	5	206699-0-01	4	207522-2-00	11	207948-0-00	5
201128-0-10	6	202475-0-10	5	206507-0-00	4	206603-0-10	5-7	206700-2-01	4	207542-0-00	11	207950-4-00	5
201358-0-10	5	202478-0-10	5	206508-0-00	4	206605-0-01	5	206703-4-01	4	207551-4-00	3	207951-4-00	1
201610-0-01	5	202480-0-10	1	206521-0-00	7	206606-2-00	5-7	206708-0-00	4	207562-0-00	3	207952-2-00	1
202026-0-10	1	202484-0-10	2	206533-0-00	7	206613-0-00	5	206711-0-00	3	207574-0-00	7	207953-0-00	1
202027-0-10	1	202488-0-10	5	206538-0-00	7	206615-4-00	5	206713-2-00	3	207588-0-00	9	207954-0-00	1
202032-0-11	5	202489-0-10	5	206539-0-00	9	206617-0-00	5	206733-0-01	2	207589-0-00	9	207955-2-01	1
202033-0-10	5	202490-0-10	5	206541-2-00	7	206618-0-10	5	206734-2-00	2	207692-2-00	7	207958-0-00	1
202062-2-10	6	202492-0-10	4	206543-0-01	4	206619-0-00	5	206740-0-00	3	207711-2-10	5	207959-0-00	8
202063-0-10	5	202529-0-10	8	206544-0-00	4	206620-0-00	8	206747-0-01	3	207719-0-00	5	207960-0-00	8
202065-0-00	6	202556-0-01	3	206545-0-00	10	206621-0-00	8	206748-0-00	1	207724-2-00	5	207961-0-00	2
202071-2-20	6	202558-2-01	3	206546-0-00	5	206622-0-00	8	206754-0-00	3	207758-0-01	1	207962-0-00	8
202086-0-11	6	202681-0-10	3	206549-2-00	7	206632-2-00	8	206755-0-00	3	207856-0-00	2	207965-0-00	8
202094-0-11	11	202720-0-00	6	206550-4-03	10	206635-0-00	8	206756-0-01	2	207858-0-00	2	207967-0-00	8
202095-0-11	11	202932-0-10	11	206554-0-02	10	206637-0-00	8	206757-0-00	9	207861-4-00	9	207968-0-00	3
202110-0-10	8	203012-0-10	11	206555-0-01	10	206642-0-00	8	206758-0-10	9	207871-0-00	3	207970-2-01	10
202128-0-10	9	203135-2-10	3	206556-0-01	4	206643-0-01	6	206764-0-00	2	207876-2-00	8	207971-0-00	10
202129-0-10	9	203547-0-11	11	206557-0-00	10	206645-4-01	6	206767-0-00	2	207878-3-00	8	207972-4-01	10
202130-0-11	9	203569-0-11	11	206558-0-01	10	206649-2-02	6	206768-0-00	2	207879-0-00	8	207973-0-00	10
202132-0-10	9	203572-0-10	3	206559-0-01	10	206651-0-00	6	206769-0-10	2	207880-0-00	8	207975-0-00	10
202133-4-10	9	203578-0-11	11	206560-0-20	10	206652-2-01	6	206771-0-12	8	207881-2-00	8	207977-0-00	10
202134-0-11	9	203609-0-10	11	206564-0-00	10	206654-2-10	6	206790-2-10	5	207882-2-00	8	207978-0-00	10
202165-0-10	11	203612-0-10	11	206565-0-01	10	206658-2-01	6	206794-0-00	5	207887-4-00	8	207979-0-00	10
202194-0-10	11	203635-0-10	3	206566-0-00	10	206662-0-00	10	206795-0-00	5	207893-0-00	3	207980-0-00	1
202214-0-10	8	203647-2-13	3	206567-0-01	10	206665-2-00	10	206796-0-00	5	207901-0-01	10	207981-0-00	1
202214-0-11	2	203772-0-11	11	206568-0-01	10	206667-0-00	10	206797-0-00	2	207909-0-00	10	207983-0-00	1
202227-0-10	3	204026-0-11	11	206569-0-01	10	206679-0-00	4	206798-0-00	5	207910-0-00	3	207984-0-00	1
202228-0-10	3	204037-3-11	11	206574-2-00	9	206680-0-01	4	206799-0-00	5	207916-0-00	3	207985-0-00	1
202229-0-10	3	204122-0-10	4	206578-2-00	9	206682-0-01	4	206808-0-01	8	207917-0-00	10	207988-0-00	1
202257-0-10	3	204947-0-10	8	206580-2-00	5	206683-0-00	4	206810-2-00	8	207918-0-00	3	207990-0-00	7
202258-0-10	3	205021-0-10	8	206583-0-00	5	206684-0-00	4	206812-0-00	3	207919-0-00	3	207991-0-00	7
202260-0-10	3	206208-0-00	11	206584-2-00	5	206685-0-00	2	206872-0-00	5	207922-3-10	7	207994-0-00	11
202278-0-10	3	206209-0-00	11	206586-0-01	5	206686-0-00	6	206875-0-00	5	207927-0-01	7	207997-0-00	11
202283-0-10	3	206296-0-00	1	206587-0-01	5	206687-2-00	2	206882-0-00	8	207930-0-01	7	207998-2-00	7
202371-0-10	8	206298-0-00	11	206588-0-00	5	206688-0-00	2	206974-0-00	4	207932-0-10	7	207999-0-00	7
202385-0-10	5	206342-4-00	3	206592-3-00	5	206689-0-01	4	207001-2-00	11	207942-3-00	5	208012-4-01	10
202386-0-10	4	206343-4-00	3	206593-0-00	5	206690-2-00	2	207016-2-00	11	207943-2-00	5	208015-0-00	6
202391-0-11	8	206391-4-00	6	206594-0-00	5	206692-0-00	4	207095-2-00	6	207944-0-00	5	208022-2-00	2

INDICE NUMERICO INDEX

Part. N.	Tav. N.	Part. N.	Tav. N.	Part. N.	Tav. N.	Part. N.	Tav. N.	Part. N.	Tav. N.	Part. N.	Tav. N.	Part. N.	Tav. N.
208023-4-00	2	701005-0-00	10	720464-4-00	14-15	733508-2-00	16	745812-0-00	7	900928-0-00	14-15	990694-0-00	11
208039-4-00	6	701007-0-00	5	720505-4-00	14-15	733508-4-00	14-15	745812-2-00	5-6-8	900929-0-01	14-15	990723-0-00	12
208060-4-00	2	701051-0-00	10	720545-4-00	14-15	733510-4-00	14-15	745815-2-00	5	900931-0-00	14-15	990981-0-00	14-15
208080-2-00	2	701106-0-00	10	720566-2-00	15	740035-0-00	13	746007-2-00	2-8-10	901101-0-00	14-15	990982-0-00	14-15
208087-3-00	10	701113-0-00	6	721412-2-00	1	740053-2-00	5	746008-0-00	5	901102-0-00	14-15	990984-4-01	14-15
208090-0-00	3	701116-0-00	4	721434-2-00	8	741405-0-00	7	746020-2-00	8	901103-0-00	14-15	990986-4-01	14-15
208091-0-00	3	701124-0-00	10	721435-2-00	2	741413-0-00	5	746208-2-00	2	901103-0-10	15	991106-2-00	16
208097-4-00	5	701133-0-00	4	721475-2-00	15	741415-0-00	6	746402-2-00	14-15	901104-0-00	15	991107-2-00	16
208105-4-00	3	701151-0-00	10	721484-2-00	3-10	741415-2-00	11	746409-2-00	14-15	901105-0-00	15	991108-2-00	16
208133-2-00	8	702415-0-00	1	721494-2-00	10	741453-0-00	8	765200-6-10	7	920103-0-10	13	991111-2-00	16
208136-4-00	8	703005-0-00	16	721524-2-00	8	741535-0-00	10	778202-0-00	6	920105-0-10	13	991112-0-00	16
208140-4-10	7	703405-0-00	2	721883-0-00	6	741546-2-00	5	778204-0-00	7-8	920106-0-10	13	991113-0-00	16
208142-3-01	7	704004-0-00	8	722031-2-00	1	741552-0-00	7	778206-0-00	11	920113-0-10	13	991114-2-00	16
208161-4-01	7	704009-4-00	14-15	722063-2-00	2-4-5-8-10	741558-0-00	3	778208-0-00	7	920114-0-10	13	991120-5-00	16
208163-4-00	7	704314-2-00	5	722431-2-00	16	741657-0-00	3	778236-0-00	6	920128-0-00	13	991121-3-00	16
208164-0-00	2	704345-2-00	14-15	722471-2-00	9	741658-2-00	1-8	778241-0-00	1	920230-0-00	13	991128-2-00	16
208165-0-00	1	704346-2-00	14	722480-2-00	7	741675-2-00	11	778401-0-00	6	920231-0-00	13	991129-3-00	16
208169-0-00	3	704406-0-00	9	722511-2-00	10	741724-0-00	2	778403-0-00	6	920232-2-00	13	991179-0-00	16
208172-4-00	3	704409-0-00	9	722905-2-00	14-15	741745-2-00	5	778405-0-00	6	920235-0-00	13	991186-0-00	14-15
208179-2-00	3	704409-2-00	14-15	722917-2-00	15	741936-2-00	1	778410-0-00	6	920236-0-01	13	991186-1-00	14-15
208184-2-00	3	704424-2-00	14-15	724032-0-00	5-7	741956-2-00	3-4	778414-0-00	7	920237-0-01	13	991187-0-00	14
208185-2-00	3	704428-2-00	1	724895-2-00	2	741963-0-00	1	778417-0-00	2-5-7	920241-0-00	13	991188-0-00	15
208197-3-00	3	704536-0-00	14-15	727014-2-00	7	742068-2-00	14-15	778419-0-00	7	920242-2-00	13	991189-0-00	14-15
208204-2-00	3	704630-0-00	3	727021-0-00	11	742086-2-00	10	778503-0-00	7	920245-4-01	13	991218-0-00	14-15
208220-0-00	3	704808-0-00	5	727096-0-00	8	742457-2-00	9	778511-0-00	7	920246-4-01	13	991400-4-02	12
208221-0-00	3	704813-0-00	10	727884-0-00	5	742758-0-00	9	778522-0-00	8	920490-0-10	13	991415-4-00	12
208222-0-00	3	704829-0-00	5	729012-2-00	7	742838-2-00	2	778832-0-00	2	925433-0-00	16		
208224-0-00	3	704841-0-00	5	729013-2-00	13	743243-2-00	6	778833-0-00	2	990075-1-13	12		
208311-4-00	3	704847-0-00	6	729022-2-00	1-10	743471-2-00	7-9	778835-0-00	9	990176-0-10	12		
300218-0-10	3	704848-0-00	6	729032-2-00	5	744332-2-00	5-8	778837-0-00	7	990179-4-11	14-15		
301586-0-10	8-10	705008-0-00	5	729034-2-00	7-16	744334-2-00	5-7-9	780214-0-40	11	990183-0-12	12		
301608-0-00	2	705029-0-00	7-9	729051-2-00	5-7-8	744512-4-00	5	788001-0-01	3	990310-0-10	14-15		
307137-0-00	1	705208-0-00	5	729054-2-00	16	744533-0-00	9	900201-0-10	14	990311-0-10	14-15		
309562-0-00	7	705230-0-00	5	730011-2-00	5	744631-2-00	3	900203-0-10	14-15	990314-0-11	14-15		
310167-0-00	7	705408-0-00	5	730023-2-00	2	744634-2-00	2	900204-0-10	14-15	990316-0-10	14-15		
700205-0-00	14-15	705970-0-00	10	731107-2-00	16	744742-0-00	1	900694-0-11	14-15	990325-0-10	12		
700206-0-00	5-13	705975-0-00	1	733008-2-00	13-14-15	745002-0-00	3-6-7	900918-0-00	14-15	990335-0-10	10		
700207-0-00	5	705977-0-00	10	733503-0-00	3	745114-0-00	7-8	922920-0-00	14-15	990452-0-00	14-15		
700630-0-00	4	705982-0-00	1	733505-2-00	8	745168-0-00	6	900925-4-01	14-15	990474-0-11	12		
701002-0-00	10	720411-2-00	10	733507-0-00	10	745800-2-00	2-3-6	900926-0-00	14-15	990639-0-10	12		
701004-0-00	5-10	720431-2-00	3	733507-2-00	14-15	745810-2-00	6-11	900927-0-00	14-15	990685-0-10	12		

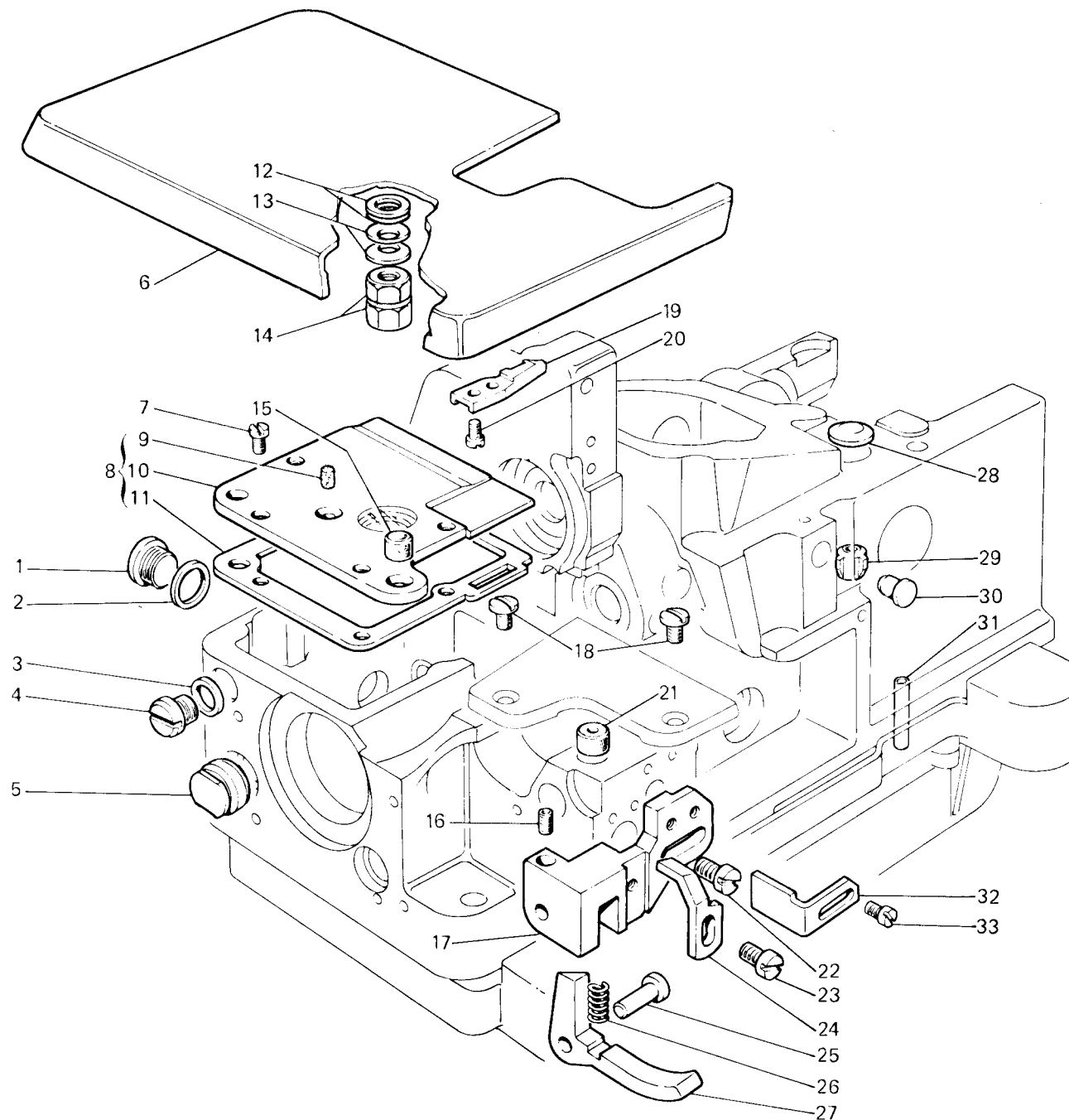


Fig. N. Abb. N.	Part. N. Bestell N. Piece N. Pieza N.	Qt. Anzahl	DESCRIZIONE	DESCRIPTION	DESCRIPTION	BENENNUNG	DESCRIPCION
1	202026-0-10	1	tappo	plug			
2	705982-0-00	1	guarnizione	gasket	bouchon		
3	705975-0-00	1	guarnizione	gasket	garniture		
4	202480-0-10	1	tappo	plug	garniture		
5	202027-0-10	1	tappo	plug	bouchon		
6	207955-2-01	1	piano di lavoro	working plate	bouchon		
7	722031-2-00	4	vite	screw	plan de travail		
8	207951-4-00	1	coperchio completo	cover assembly	vis		
9	778241-0-00	1	stoppino	wick	couvercle complet		
10	207952-2-00	1	coperchio	cover	mèche		
11	207953-0-00	1	guarnizione	gasket	couvercle		
12	704428-2-00	2	rondella	washer	garniture		
13	702415-0-00	2	molla a tazza	cup spring	rondelle		
14	208165-0-00	2	dado	nut	ressort à tasse		
15	207954-0-00	1	tappo	plug	écrou		
16	729022-2-00	1	vite	screw	bouchon		
17	207981-0-00	1	supporto sgancio piano di lavoro	support	vis		
18	744742-0-00	2	vite fissa placca ago	screw	support		
19	207985-0-00	1	gancio arresto piano di lavoro	hook	vis		
20	741936-2-00	2	vite	screw	crochet		
21	207958-0-00	1	tappo	plug	vis		
22	741963-0-00	2	vite	screw	bouchon		
23	741658-2-00	1	vite	screw	vis		
24	207988-0-00	1	squadretta	bracket	vis		
25	207980-0-00	1	perno	pin	équerre		
26	307137-0-00	1	molla	spring	pivot		
27	207983-0-00	1	leva per sgancio	lever	ressort		
28	206748-0-00	1	tappo espansione	plug	levier		
29	206296-0-00	1	tubetto scarico olio	pipe	bouchon		
30	202398-0-10	1	tappo	plug	tube		
31	207758-0-01	1	bussola guida astina	bush	bouchon		
32	207984-0-00	1	squadretta	bracket	bague		
33	721412-2-00	2	vite	screw	équerre		
					vis		

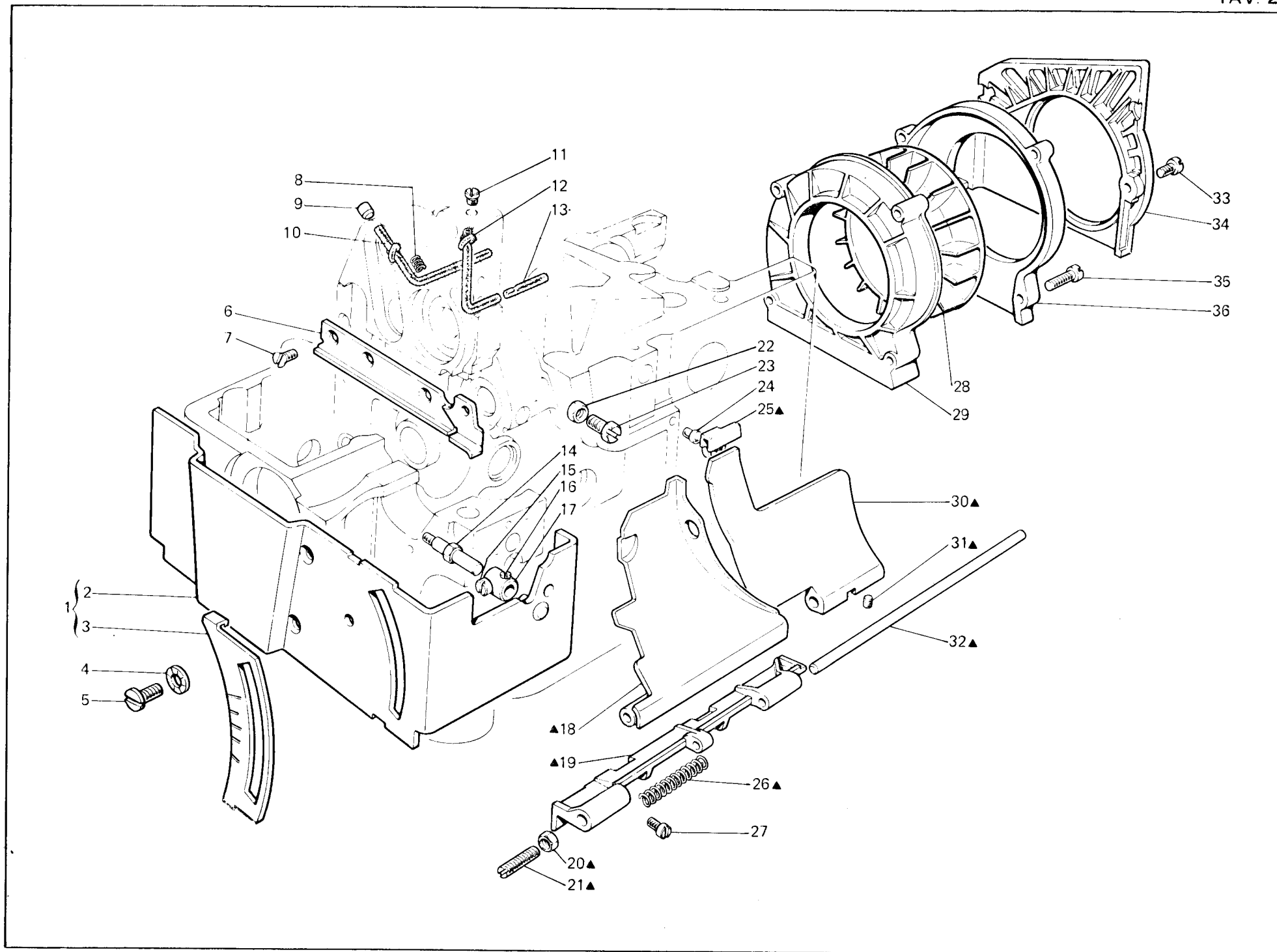


Fig. N. Abb. N.	Part. N. Bestell N. Piece N. Pieza N.	Qt. Anzahl	DESCRIZIONE	DESCRIPTION	DESCRIPTION	BENENNUNG	DESCRIPCION
▲	208060-4-00	1	sportello anteriore completo	front cover assembly		carter avant complet	
1	208023-4-00	1	carter laterale completo	side cover assembly		carter latéral complet	
2	208022-2-00	1	carter laterale	side cover		carter latéral	
3	206797-0-00	1	piastrina	plate		plaque	
4	703405-0-00	4	rondella elastica	spring washer		rondelle élastique	
5	724895-2-00	4	vite	screw		vis	
6	207961-0-00	1	carterino	cover		carter	
7	744634-2-00	3	vite	screw		vis	
8	208164-0-00	1	molla	spring		ressort	
9	301608-0-00	1	tappo	plug		bouchon	
10	778832-0-00	1	stoppino	wick		mèche	
11	742838-2-00	1	vite	screw		vis	
12	778833-0-00	1	stoppino	wick		mèche	
13	778417-0-00	1	stoppino	wick		mèche	
14	206733-0-01	1	vite per carter laterale	screw		vis	
15	721435-2-00	1	vite	screw		vis	
16	730023-2-00	1	vite	screw		vis	
17	206734-2-00	1	morsetto con viti	clamp with screws		collier de serrage avec vis	
18	208080-2-00	1	sportello scorrevole	sliding cover		carter coulissant	
19	206756-0-01	1	cerniera	hinge		charnière	
20	746208-2-00	1	dado	nut		écrou	
21	206769-0-10	1	vite di regolazione	adjustment screw		vis de réglage	
22	746007-2-00	1	dado	nut		écrou	
23	202214-0-11	1	vite	screw		vis	
24	207856-0-00	1	gommino	dumper		caoutchouc	
25	206764-0-00	1	zoccolo	block		socle	
26	206768-0-00	1	molla	spring		ressort	
27	741724-0-00	4	vite	screw		vis	
28	206690-2-00	1	ventola di raffreddamento	cooling fan		ventilateur	
29	206688-0-00	1	coclea per ventola	scroll		palier	
30	207858-0-00	1	sportello ribaltabile	tipping cover		carter amovible	
31	745800-2-00	1	vite	screw		vis	
32	206767-0-00	1	perno	pin		pivot	
33	722063-2-00	1	vite per coperchio	screw		vis	
34	206685-0-00	1	coperchio cinghia	cover		couvercle	
35	202484-0-10	4	vite	screw		vis	
36	206687-2-00	1	coperchio coclea	scroll cover		couvercle palier	

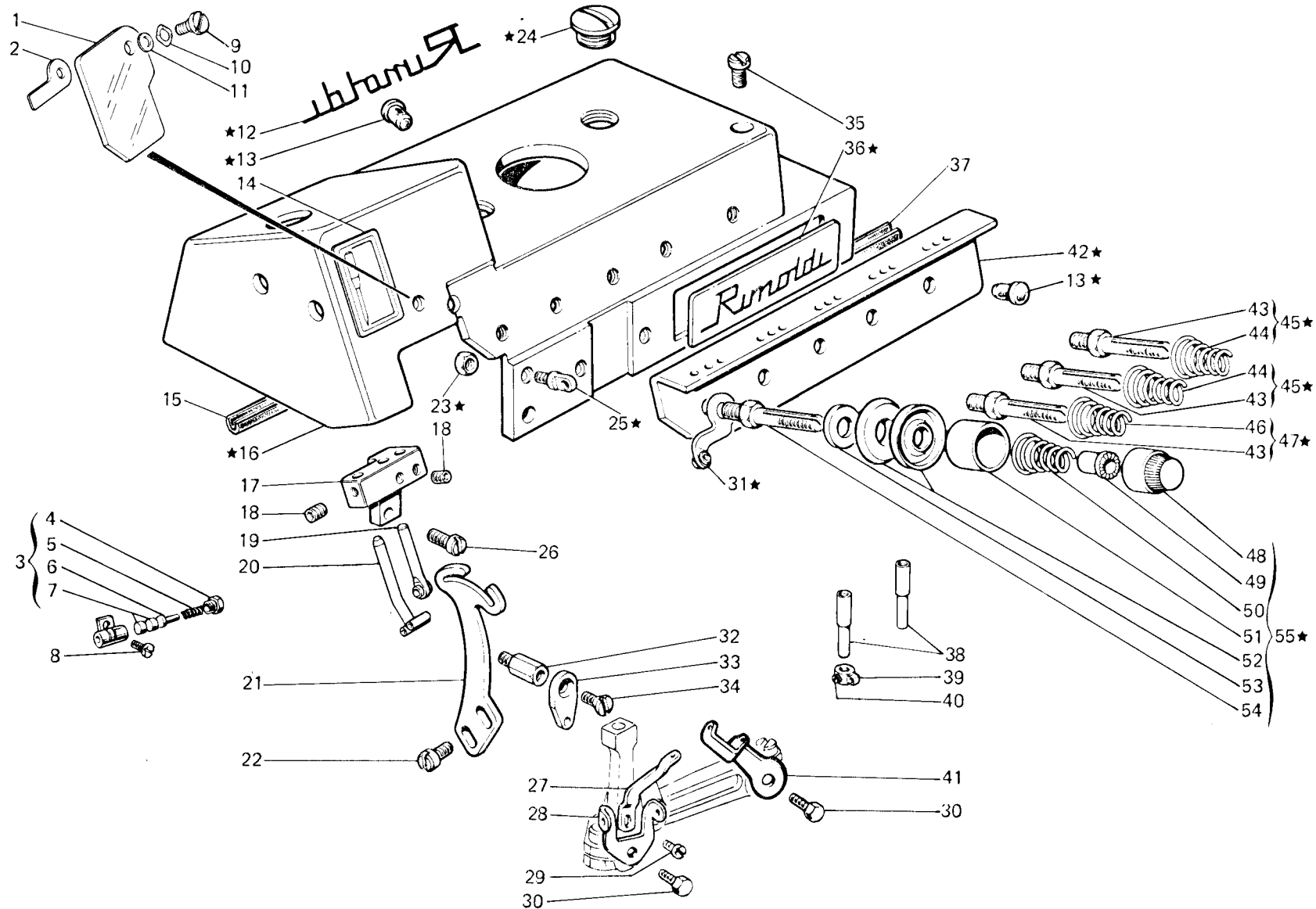


Fig. N. Abb. N.	Part. N. Bestell N. Piece N. Pieza N.	Qt. Anzahl	DESCRIZIONE	DESCRIPTION	DESCRIPTION	BENENNUNG	DESCRIPCION
★	208105-4-00	1	coperchio superiore completo	upper cover assembly	couvercle supérieur complet		
1	208221-0-00	1	piastrina protezione	plate	plaquette		
2	208222-0-00	1	piastrina	plate	plaquette		
3	207551-4-00	1	pressafilo completo	thread presser assembly	presse-fil complet		
4	202260-0-10	1	tappo	plug	bouchon		
5	202257-0-10	1	molla	spring	ressort		
6	202258-0-10	1	perno	pin	pivot		
7	203635-0-10	2	pastiglia	plug	bouchon		
8	207562-0-00	1	vite	screw	vis		
9	208224-0-00	1	vite	screw	vis		
10	208220-0-00	1	anello elastico	spring ring	anneau ressort		
11	704630-0-00	1	rondella	washer	rondelle		
12	100305-0-10	1	decalcomania	decalcomania	décalcomanie		
13	207893-0-00	3	tappo	plug	bouchon		
14	788001-0-01	1	decalcomania sist. aghi	needles syst. decalcomania	décalcomanie syst. aiguilles		
15	208091-0-00	1	guarnizione	gasket	garniture		
16	207910-0-00	1	coperchio superiore	upper cover	couvercle supérieur		
17	207916-0-00	1	supporto passafili aghi	needles thread guide support	support passe-fil aiguilles		
18	745800-2-00	2	vite	screw	vis		
19	208184-2-00	1	passafilo	thread guide	passe-fil		
20	203647-2-13	1	passafilo	thread guide	passe-fil		
21	207871-0-00	1	tendifilo	thread take-up	tendeur du fil		
22	741558-0-00	2	vite	screw	vis		
23	733503-0-00	3	dado	nut	écrou		
24	207968-0-00	2	tappo	plug	bouchon		
25	206711-0-00	3	passafilo	thread guide	passe-fil		
26	741956-2-00	2	vite	screw	vis		
27	203572-0-10	1	tendifilo crochet sup.	thread take-up	tendeur du fil		
28	202278-0-10	1	tendifilo crochet inf.	thread take-up	tendeur du fil		
29	741657-0-00	1	vite	screw	vis		
30	720431-2-00	2	vite	screw	vis		
31	206713-2-00	1	passafilo	thread guide	passe-fil		
32	206755-0-00	1	colonnina	column	colonne		
33	206812-0-00	1	passafilo crochet sup.	upper looper thread guide	passe-fil crochet sup.		
34	744631-2-00	1	vite	screw	vis		
35	721484-2-00	3	vite fissa coperchio sup.	screw	vis		
36	207918-0-00	1	targhetta	plate	plaque		
37	205090-0-00	1	guarnizione	gasket	garniture		
38	205740-0-00	2	tubetto passafilo	thread guide pipe	tube passe-fil		
39	203135-2-10	1	passafilo con vite	thread guide with screw	passe-fil avec vis		
40	745002-0-00	1	vite	screw	vis		
41	202283-0-10	1	tendifilo crochet inf.	thread take-up	tendeur du fil		
42	207919-0-00	1	piastra passafili	plate	plaque		
43	206747-0-01	3	perno	pin	pivot		
44	202681-0-10	2	molla	spring	ressort		
45	206343-4-00	2	tensione completa	tension assembly	tension complète		
46	202228-0-10	1	molla	spring	ressort		
47	206342-4-00	1	tensione completa	tension assembly	tension complète		
48	202558-2-01	4	pomo	knob	pommeau		

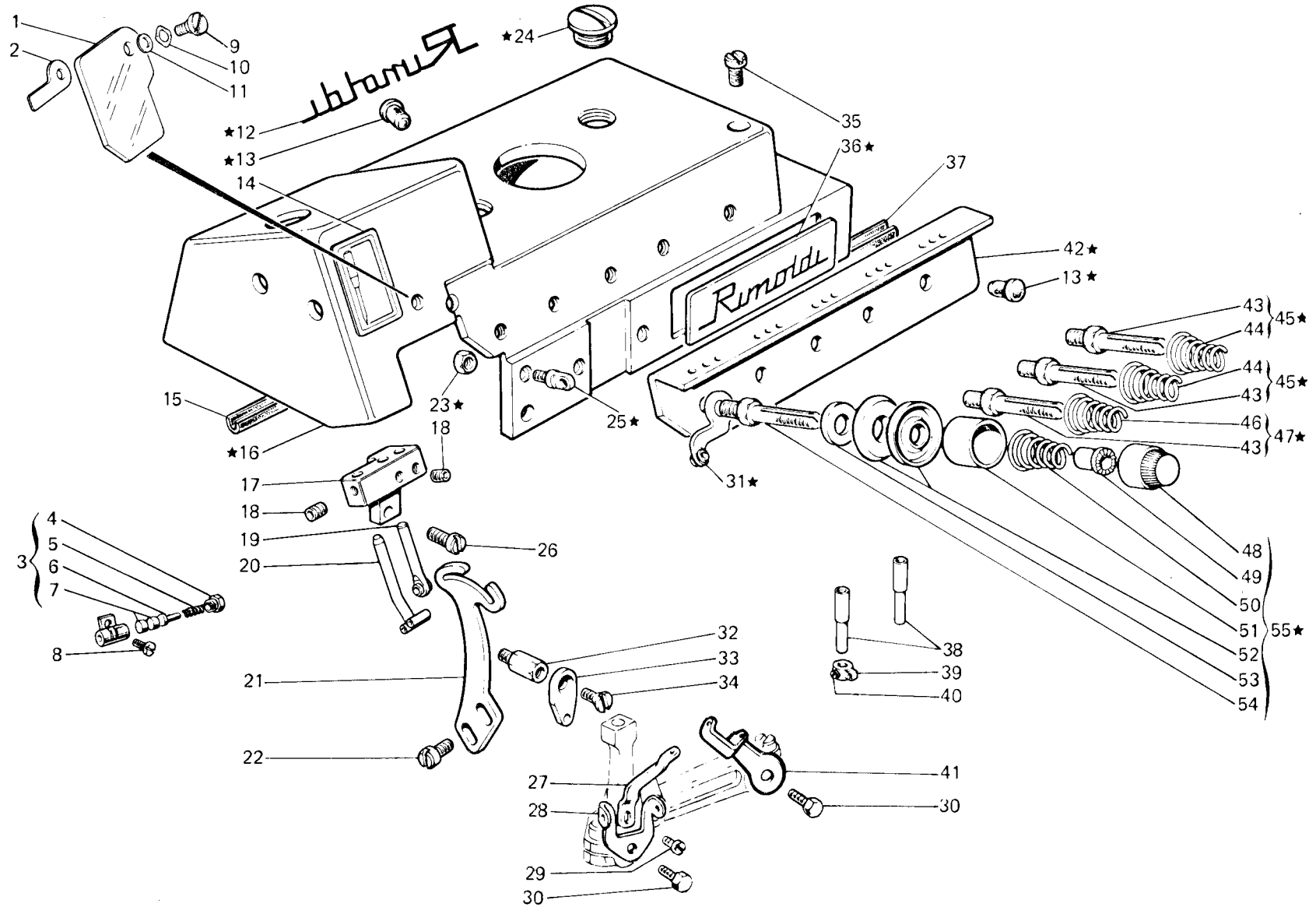


Fig. N. Abb. N.	Part. N. Bestell N. Piece N. Pieza N.	Qt. Anzahl	DESCRIZIONE	DESCRIPTION	DESCRIPTION	BENENNUNG	DESCRIPCION
49	202229-0-10	4	bussola	bush	bague		
50	202227-0-10	1	molla	spring	ressort		
51	202556-0-01	4	scodellino	cup	cuvette		
52	300218-0-10	8	disco tensione	tension disc	disque tension		
53	206754-0-00	4	rondella	washer	rondelle		
54	208169-0-00	1	perno	pin	pivot		
55	208172-4-00	1	tensione completa	tension assembly	tension complète		
			SOLO A RICHIESTA	ONLY ON REQUEST	SEULEMENT SUR DEMANDE		
—	208311-4-00	1	gruppo passafili	thread guide assembly	groupe passe-fils		
19	208179-2-00	1	passafilo	thread guide	passe-fil		
20	208197-3-00	1	passafilo	thread guide	passe-fil		
23	733503-0-00	3	dado	nut	écrou		
25	208204-2-00	3	passafilo	thread guide	passe-fil		
31	208185-2-00	1	passafilo	thread guide	passe-fil		

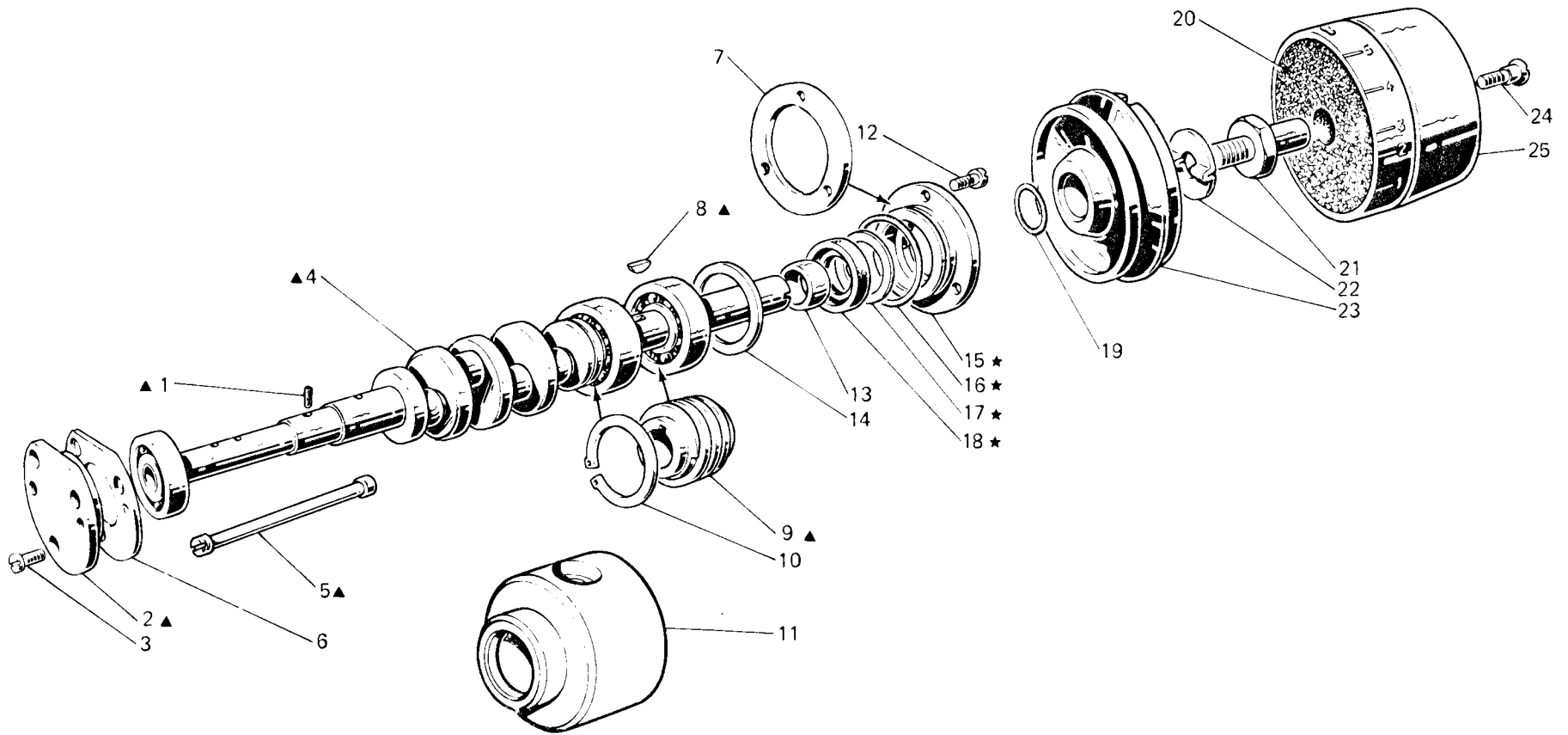


Fig. N. Abb. N.	Part. N. Bestell N. Piece N. Pieza N.	Qt. Anzahl	DESCRIZIONE	DESCRIPTION	DESCRIPTION	BENENNUNG	DESCRIPCION
▲	206703-4-01	1	albero princ. con cuscinetti	main shaft	arbre principale		
★	206697-4-01	1	gruppo flangia con anelli	flange with ring assembly	groupe flasque avec anneau		
1	206708-0-00	1	stoppino	wick	mèche		
2	206680-0-01	1	flangia sinistra	left flange	flasque gauche		
3	741956-2-00	3	vite	screw	vis		
4	206700-2-01	1	albero principale	main shaft	arbre principal		
5	206974-0-00	1	limitatore olio	oil limiter	limiteur huile		
6	206543-0-01	1	guarnizione	gasket	garniture		
7	206544-0-00	1	guarnizione	gasket	garniture		
8	204122-0-10	1	chiavetta	key	clavette		
9	206556-0-01	1	vite senza fine	worm screw	vis sans fin		
10	202386-0-10	1	anello elastico	spring ring	anneau ressort		
11	206682-0-01	1	bussola	bush	bague		
12	722063-2-00	3	vite	screw	vis		
13	206692-0-00	1	distanziale albero principale	spacer	entretoise		
14	206689-0-01	1	anello compensazione	ring	anneau		
15	206699-0-01	1	flangia	flange	flasque		
16	701133-0-00	1	anello di tenuta	retainer ring	bague d'étanchéité		
17	206693-0-00	1	rondella	washer	rondelle		
18	700630-0-00	1	anello di tenuta	retainer ring	bague d'étanchéité		
19	701116-0-00	1	anello di tenuta	retainer ring	bague d'étanchéité		
20	206507-0-00	1	tampone per volante	pad	tampon		
21	206683-0-00	1	perno volante	pin	pivot		
22	206684-0-00	1	chiavetta albero principale	key	clavette		
23	206508-0-00	1	volantino	handwheel	volant		
24	202492-0-10	1	vite	screw	vis		
25	206679-0-00	1	coperchio volante	handwheel cover	couvercle volant		

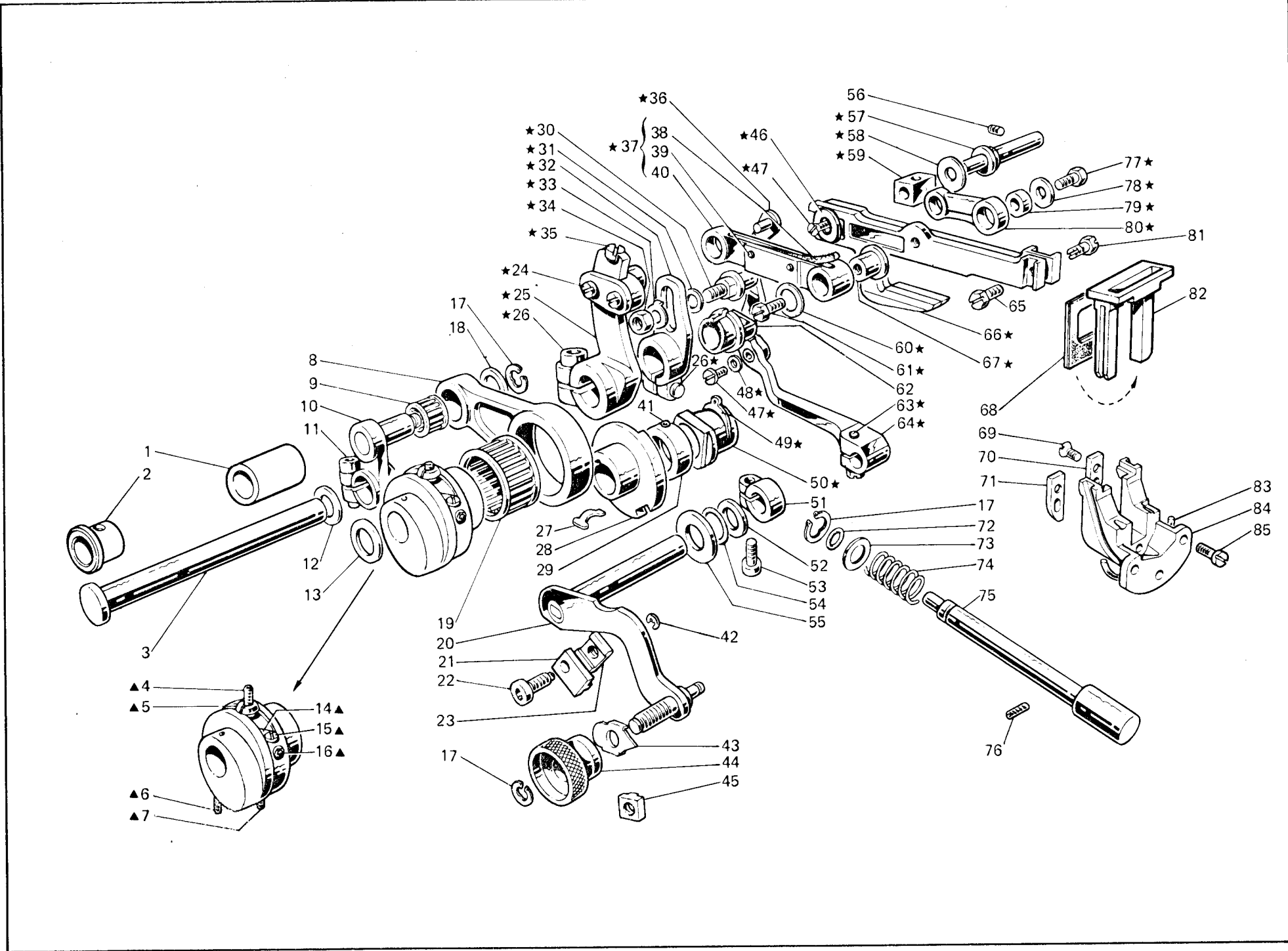


Fig. N. Abb. N.	Part. N. Bestell N. Pieza N.	Qt. Anzahl	DESCRIZIONE	DESCRIPTION	DESCRIPTION	BENENNUNG	DESCRIPCION
★	208097-4-00	1	gruppo comando slitta	slide control assembly		groupe commande glissière	
▲	207950-4-00	1	gruppo eccentr. regol. trasporto	eccentric group		groupe excentrique	
1	206594-0-00	1	bussola	bush		bague	
2	206595-0-00	1	bussola	bush		bague	
3	206593-0-00	1	contralbero trasporto	transport countershaft		axe transport	
4	729051-2-00	1	vite	screw		vis	
5	206603-0-10	1	fermo eccentrico	eccentric retainer		pièce blocage excentrique	
6	745815-2-00	1	vite	screw		vis	
7	727884-0-00	1	vite	screw		vis	
8	206599-0-01	1	biella comando trasporto	transport con-rod		bielle commande transport	
9	201358-0-10	1	gabbia a rullini	needles cage		cage à aiguilles	
10	206598-2-00	1	braccio a manov. con vite	crank arm with screw		bras à manivelle avec vis	
11	744334-2-00	1	vite	screw		vis	
12	704841-0-00	1	rondella	washer		rondelle	
13	206602-0-00	1	rondella	washer		rondelle	
14	202412-0-11	1	lardone	gib		lardon	
15	202473-0-11	2	vite	screw		vis	
16	730011-2-00	2	vite	screw		vis	
17	700207-0-00	3	anello elastico	spring ring		anneau ressort	
18	206546-0-00	1	rondella	washer		rondelle	
19	202385-0-10	1	gabbia a rullini	needles cage		cage à aiguilles	
20	206790-2-10	1	leva	lever		levier	
21	206799-0-00	1	arresto reg. esterno	stopping		butée	
22	206875-0-00	2	vite	screw		vis	
23	206795-0-00	2	arresto reg. interno	stopping		butée	
24	741546-2-00	2	vite	screw		vis	
25	206592-3-00	1	manovella trasp. con viti	transport crank with screw		manivelle transport avec vis	
26	744332-2-00	2	vite	screw		vis	
27	206872-0-00	1	molla	spring		ressort	
28	206605-0-01	1	eccentrico	eccentric		excentrique	
29	206606-2-00	1	anello di rasamento	shim		bague	
30	202063-0-10	1	spina	pin		goupille	
31	704808-0-00	1	rondella	washer		rondelle	
32	206584-2-00	1	braccio manovella	crank arm		bras manivelle	
33	206580-2-00	1	rondella con spina	washer with pin		rondelle avec goupille	
34	746008-0-00	1	dado	nut		écrou	
35	741413-0-00	1	vite	screw		vis	
36	207724-2-00	1	giunto	joint		joint	
37	206615-4-00	1	biellino completo	con-rod assembly		petite-bielle complète	
38	778417-0-00	1	stoppino	wick		mèche	
39	200490-0-00	2	spillo	needle		épingle	
40	206587-0-01	1	biellino	con-rod		petite-bielle	
41	745812-2-00	2	vite	screw		vis	
42	700206-0-00	2	anello elastico	spring ring		anneau ressort	
43	206796-0-00	1	indice	index		indice	
44	206798-0-00	1	bottone	button		bouton	
45	206794-0-00	1	arresto regolabile esterno	external retainer		butée réglable externe	
46	202475-0-10	1	rondella	washer		rondelle	
47	724032-0-00	2	vite	screw		vis	

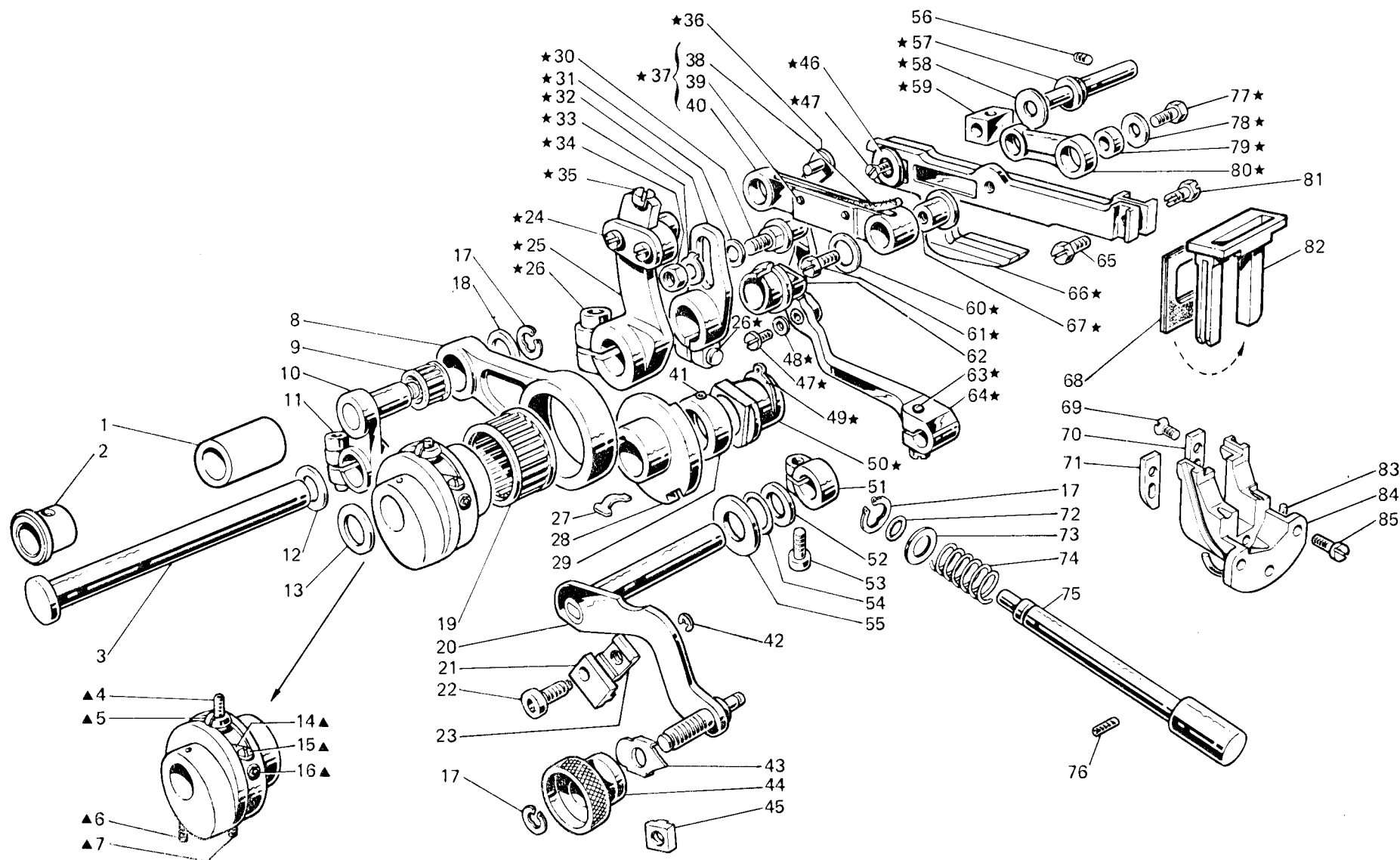


Fig. N. Abb. N.	Part. N. Bestell N. Piece N. Pieza N.	Qt. Anzahl	DESCRIZIONE	DESCRIPTION	DESCRIPTION	BENENNUNG	DESCRIPCION
48	207719-0-00	1	rondella	washer	rondelle		
49	201610-0-01	1	anello elastico	spring ring	anneau ressort		
50	206617-0-00	1	blocchetto	block	bloc		
51	100620-2-10	1	morsetto con vite	clamp with screw	collier de serrage avec vis		
52	704829-0-00	1	rondella	washer	rondelle		
53	741745-2-00	1	vite	screw	vis		
54	701007-0-00	1	anello di tenuta	retainer ring	bague d'étanchéité		
55	705230-0-00	1	rondella	washer	rondelle		
56	202478-0-10	1	vite	screw	vis		
57	206613-0-00	1	perno eccentrico	eccentric pin	pivot excentrique		
58	705408-0-00	1	rondella	washer	rondelle		
59	202033-0-10	1	blocchetto	block	bloc		
60	705008-0-00	1	rondella	washer	rondelle		
61	206588-0-00	1	vite	screw	vis		
62	206619-0-00	1	vaschetta olio	oil sump	cuvette huile		
63	740053-2-00	1	vite	screw	vis		
64	207711-2-10	1	braccio reg. differenz.	differential arm	bras regl. différentiel		
65	202489-0-10	1	vite	screw	vis		
66	207942-3-00	1	gruppo slitta	slide assembly	groupe glissière		
67	206586-0-01	1	bussola per biellino	bush	bague		
68	207944-0-00	2	guarnizione raschia olio	gasket	garniture		
69	744512-4-00	2	vite	screw	vis		
70	207947-0-00	1	piastrina	plate	plaque		
71	207945-0-00	1	piastrina	plate	plaque		
72	701004-0-00	1	anello	ring	anneau		
73	704314-2-00	1	rondella	washer	rondelle		
74	202408-0-10	1	molla	spring	ressort		
75	206618-0-10	1	pulsante reg. punto	push-button	poussoir		
76	729032-2-00	1	vite	screw	vis		
77	202490-0-10	1	vite	screw	vis		
78	705208-0-00	1	rondella	washer	rondelle		
79	202032-0-11	1	bussolina	bush	bague		
80	206583-0-00	1	biellino	con-rod	petite bielle		
81	202488-0-10	1	vite	screw	vis		
82	207946-0-00	1	telaio raschia olio	oil scraper frame	râcheur huile		
83	207948-0-00	1	guarnizione	gasket	garniture		
84	207943-2-00	1	guida slitta	slide guide	guide coulissant		
85	722063-2-00	3	vite	screw	vis		

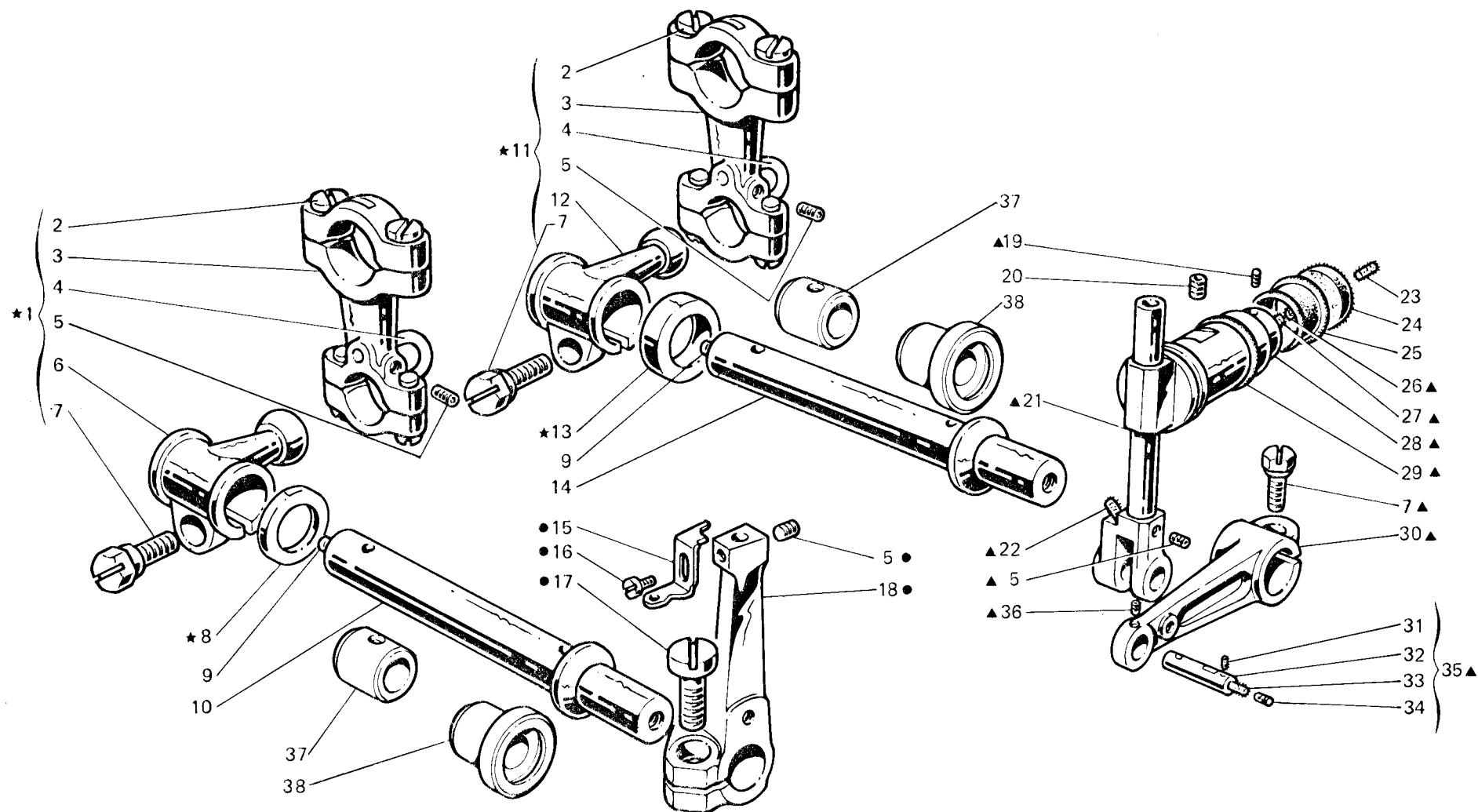


Fig. N. Abb. N.	Part. N. Bestell N. Piece N. Pieza N.	Qt. Anzahl	DESCRIZIONE	DESCRIPTION	DESCRIPTION	BENENNUNG	DESCRIPCION
★	206391-4-00	1	gruppo manicotti com. crochet	looper control coupling ass.			
▲	206415-4-00	1	gruppo comando crochet sup.	upper looper control assembly		groupe manchon comm. crochet	
●	208039-4-00	1	gruppo porta crochet inferiore	lower looper assembly		groupe commande crochet sup.	
1	206452-4-00	1	gruppo manicotto con biella	coupling assembly with con-rod		groupe porte crochet inférieur	
2	743243-2-00	8	vite per biella	screw		groupe manchon avec bielle	
3	202071-2-20	2	biella con viti	con-rod with screw		vis	
4	206643-0-01	2	cavallotto	coupling		bielle avec vis	
5	745812-2-00	4	vite	screw		cavalier	
6	206658-2-01	1	manicotto	coupling		vis	
7	201128-0-10	3	vite	screw		manchon	
8	704848-0-00	1	rondella	washer		vis	
9	206695-0-00	2	tappo per albero	plug for shaft		rondelle	
10	207096-2-00	1	albero crochet inferiore	shaft lower looper		bouchon pour arbre	
11	206451-4-00	1	gruppo manicotto con biella	coupling with con-rod		arbre crochet inférieur	
12	206649-2-02	1	manicotto	coupling		groupe manchon avec bielle	
13	704847-0-00	1	rondella	washer		manchon	
14	207095-2-00	1	albero crochet superiore	upper looper shaft		rondelle	
15	208015-0-00	1	squadretta	bracket		arbre crochet supérieur	
16	741415-0-00	1	vite	screw		équerre	
17	721883-0-00	1	vite	screw		vis	
18	206654-2-10	1	porta crochet inf.	lower looper holder		vis	
19	745800-2-00	1	vite	screw		porte crochet inférieur	
20	745168-0-00	1	vite	screw		vis	
21	206410-3-00	1	guida oscillante	oscillating guide		vis	
22	778403-0-00	1	stoppino	wick		guide oscillant	
23	778236-0-00	1	stoppino	wick		mèche	
24	206686-0-00	1	disco lubrificazione guida	disc		mèche	
25	202720-0-00	1	paraolio	oil retainer		disque	
26	778405-0-00	1	stoppino	wick		pare-huile	
27	778410-0-00	1	stoppino	wick		mèche	
28	202062-2-10	1	anello con vite	ring with screw		mèche	
29	701113-0-00	1	anello di tenuta	circlip		anneau avec vis	
30	206652-2-01	1	braccio	arm		circlip	
31	778202-0-00	4	stoppino	wick		bras	
32	202086-0-11	1	spina	pin		mèche	
33	778401-0-00	1	stoppino	wick		goupille	
34	745002-0-00	1	vite	screw		mèche	
35	206645-4-01	1	spina completa	pin assembly		vis	
36	745810-2-00	1	vite	screw		goupille compl.	
37	206651-0-00	2	bussola	bush		vis	
38	202065-0-20	2	bussola	bush		bague	
						bague	

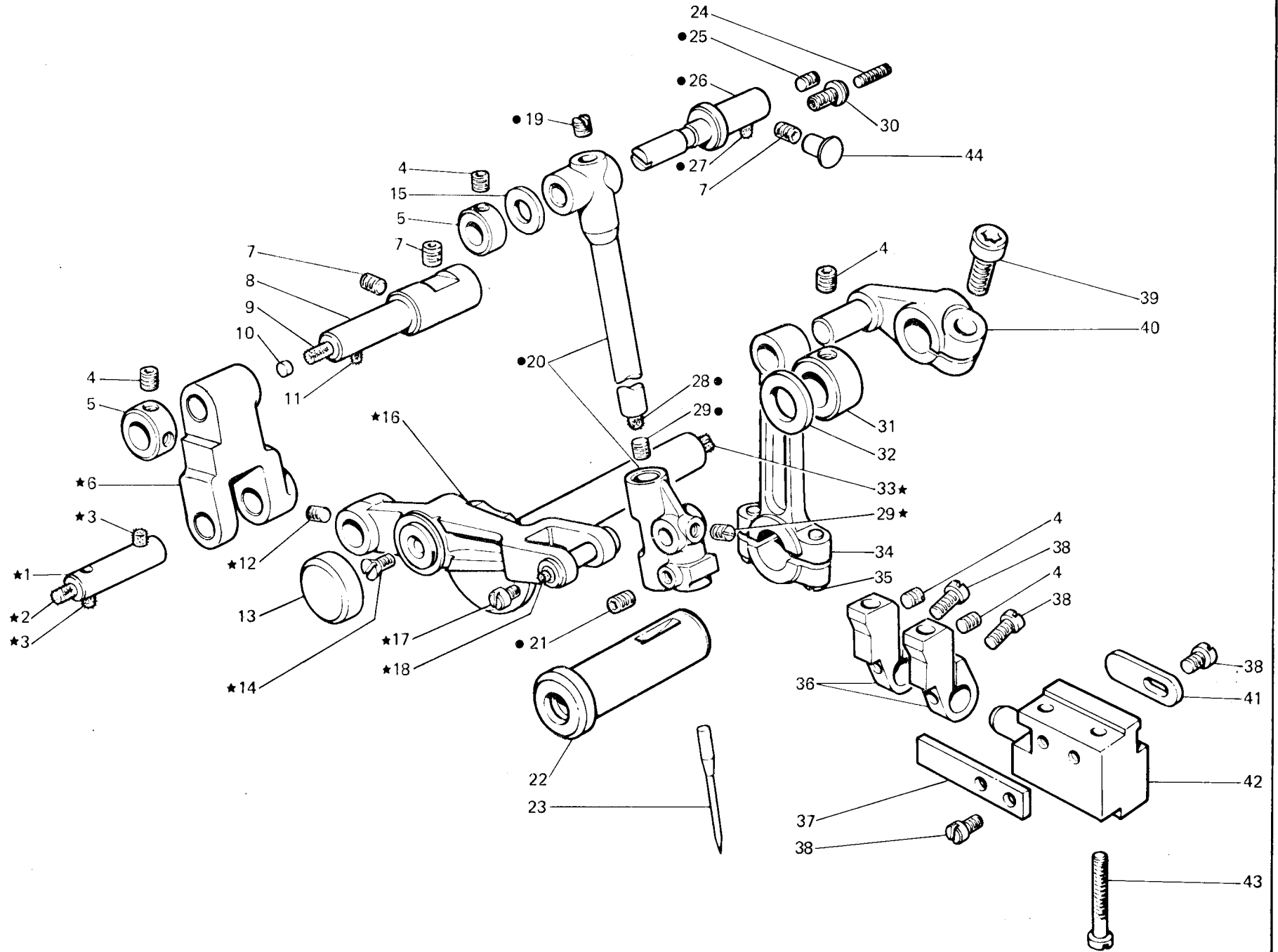


Fig. N. Abb. N.	Part. N. Piece N. Bestell N. Pieza N.	Qt. Anzahl	DESCRIZIONE	DESCRIPTION	DESCRIPTION	BENENNUNG	DESCRIPCION
★	208140-4-10	1	cinematismo comando ago (con fig. ●)	needle control assembly (with fig. ●)	cinématisme comm. aiguille (avec fig. ●)		
●	208161-4-01	1	slitta con barra completa	slide with bar assembly	glissière avec barre complète		
1	207930-0-01	1	spina	pin	goupille		
2	778414-0-00	1	stoppino	wick	mèche		
3	778204-0-00	3	stoppino	wick	mèche		
4	745812-0-00	7	vite	screw	vis		
5	207692-2-00	2	anello di rasamento con viti	ring with screw	anneau avec vis		
6	207932-0-10	1	leva	lever	levier		
7	729034-2-00	3	vite	screw	vis		
8	208163-4-00	1	perno con stoppini e tappo	pin with wick and plug	pivot avec mèche et bouchon		
9	778417-0-00	1	stoppino	wick	mèche		
10	206521-0-00	1	tappo	plug	bouchon		
11	778511-0-00	2	stoppino	wick	mèche		
12	745114-0-00	1	vite	screw	vis		
13	206533-0-00	1	coperchio per leva	cover for lever	couvercle pour levier		
14	724032-0-00	1	vite	screw	vis		
15	309562-0-00	1	rondella	washer	rondelle		
16	208142-3-01	1	gruppo leva con spina	lever with pin assembly	groupe levier avec goupille		
17	741405-0-00	1	vite	screw	vis		
18	778208-0-00	1	stoppino	wick	mèche		
19	310167-0-00	1	vite	screw	vis		
20	207922-3-10	1	slitta con barra	slide with bar	glissière avec barre		
21	729012-2-00	1	vite	screw	vis		
22	206538-0-00	1	bussola	bush	bague		
23	765200-6-10	2	ago RIM 27 fin. 100	needle RIM 27 size 100	aiguille RIM 27 jauge 100		
24	729051-2-00	1	vite	screw	vis		
25	727014-2-00	1	vite	screw	vis		
26	207927-0-01	1	perno	pin	pivot		
27	778419-0-00	1	stoppino	wick	mèche		
28	778503-0-00	1	stoppino	wick	mèche		
29	745002-0-00	2	vite	screw	vis		
30	206603-0-10	1	vite di fermo	screw	vis		
31	206606-2-00	1	anello di rasamento con vite	ring	anneau		
32	705029-0-00	1	rondella	washer	rondelle		
33	778837-0-00	1	stoppino	wick	mèche		
34	206549-2-00	1	biella con viti	con-rod with screw	bielle avec vis		
35	743471-2-00	2	vite	screw	vis		
36	207998-2-00	2	porta salva ago e spingi asola	front and rear needle guard holder	porte protège-aiguille et pare-boucle		
37	207991-0-00	1	piastrina	plate	plaque		
38	741552-0-00	5	vite	screw	vis		
39	744334-2-00	1	vite	screw	vis		
40	206541-2-00	1	manovella alb. sup. con vite	crank	manivelle		
41	207999-0-00	1	piastrina	plate	plaque		
42	207990-0-00	1	supporto salva ago	rear needle guard support	support protège-aiguille		
43	722480-2-00	2	vite	screw	vis		
44	207574-0-00	1	tappo	plug	bouchon		

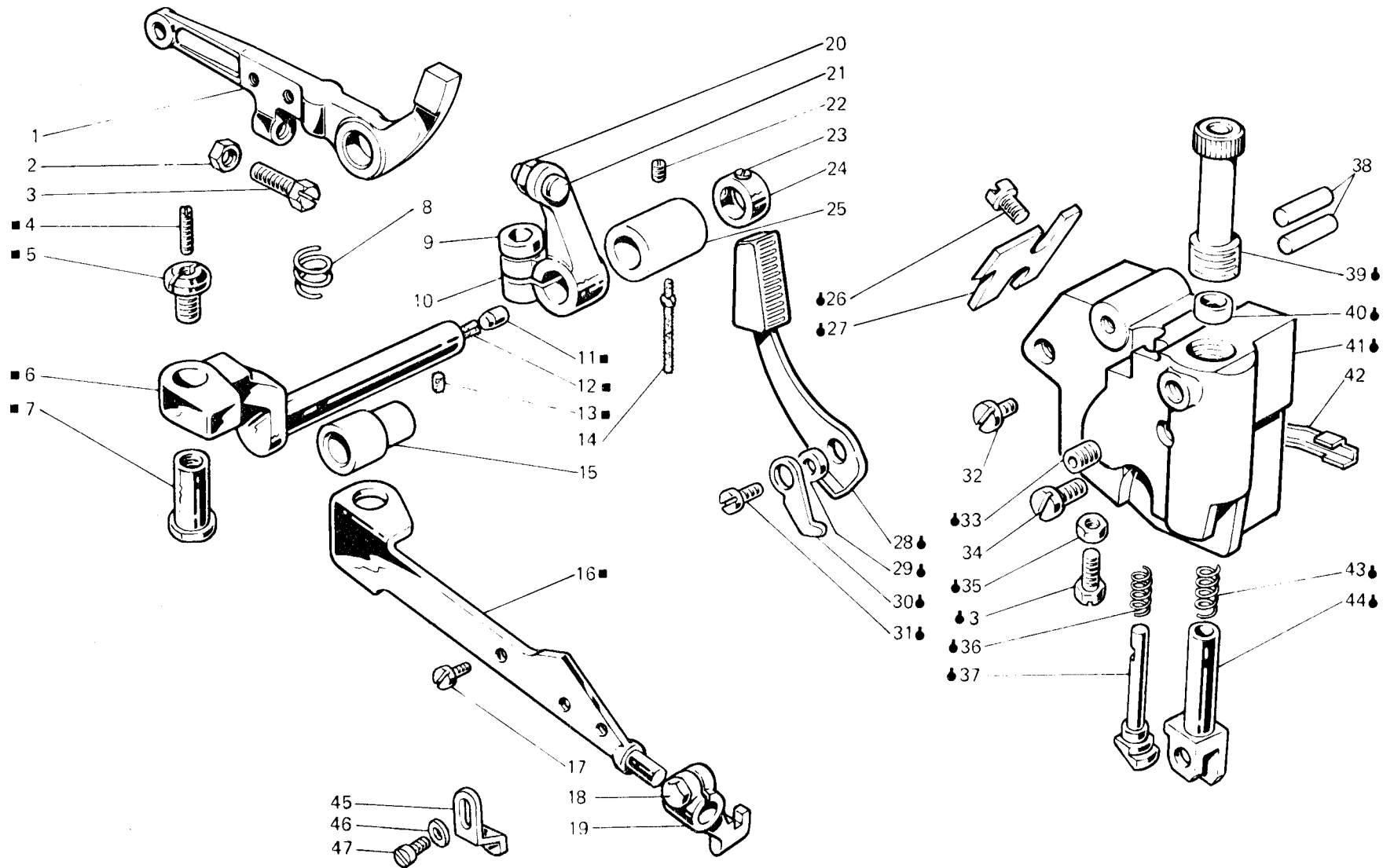


Fig. N. Abb. N.	Part. N. Piece N. Bestell N. Pieza N.	Qt. Anzahl	DESCRIZIONE	DESCRIPTION	DESCRIPTION	BENENNUNG	DESCRIPCION
●	208136-4-00	1	gruppo supporto premistoffa	presser support assembly	groupe support pied-presseur		
■	207887-4-00	1	leva premistoffa con perno	presser lever	levier du pied-presseur		
1	207881-2-00	1	leva alza premistoffa	lever	levier		
2	733505-2-00	1	dado	nut	écrou		
3	202214-0-10	2	vite	screw	vis		
4	729051-2-00	1	vite	screw	vis		
5	202529-0-10	1	perno di fermo	pin	pivot		
6	207878-3-00	1	perno con tappo e stoppini	pin with plug and wicks	pivot avec bouchon et mèches		
7	206622-0-00	1	spina	pin	goupille		
8	206621-0-00	1	molla richiamo leva alza premist.	spring	ressort		
9	744332-2-00	1	vite	screw	vis		
10	207876-2-00	1	leva arresto prest. con viti	lever	levier		
11	301586-0-10	1	pastiglia	plug	bouchon		
12	778522-0-00	1	stoppino	wick	mèche		
13	778204-0-00	1	stoppino	wick	mèche		
14	206620-0-00	1	stoppino	wick	mèche		
15	207880-0-00	1	bussola	bush	bague		
16	206808-0-01	1	leva	lever	levier		
17	741453-0-00	2	vite	screw	vis		
18	204947-0-10	1	vite	screw	vis		
19	206810-2-00	1	attacco a morsetto premist.	coupling	raccord		
20	746020-2-00	1	dado	nut	écrou		
21	727096-0-00	1	vite	screw	vis		
22	745812-2-00	1	vite	screw	vis		
23	745114-0-00	2	vite	screw	vis		
24	207882-2-00	1	anello con viti	ring	anneau		
25	207879-0-00	1	bussola	bush	bague		
26	721434-2-00	2	vite	screw	vis		
27	207965-0-00	1	arresto	stopping	butée		
28	208133-2-00	1	leva	lever	levier		
29	206637-0-00	1	distanziale	spacer	entretoise		
30	206635-0-00	1	nasello	snug	déclic		
31	722063-2-00	1	vite	screw	vis		
32	721524-2-00	1	vite	screw	vis		
33	202391-0-11	1	vite	screw	vis		
34	206642-0-00	1	vite	screw	vis		
35	746007-2-00	1	dado	nut	écrou		
36	202110-0-10	1	molla	spring	ressort		
37	207959-0-00	1	tirante	tie-rod	tirant		
38	202371-0-10	2	spina	pin	goupille		
39	207967-0-00	1	vite	screw	vis		
40	206882-0-00	1	distanziale	spacer	entretoise		
41	207960-0-00	1	supporto	support	support		
42	207962-0-00	1	guarnizione	gasket	garniture		
43	205021-0-10	1	molla	spring	ressort		
44	206632-2-00	1	cannotto	column	fourche		
45	206771-0-12	1	squadretta fermo piedino	bracker	équerre		
46	704004-0-00	1	rondella	washer	rondelle		
47	741658-2-00	1	vite	screw	vis		

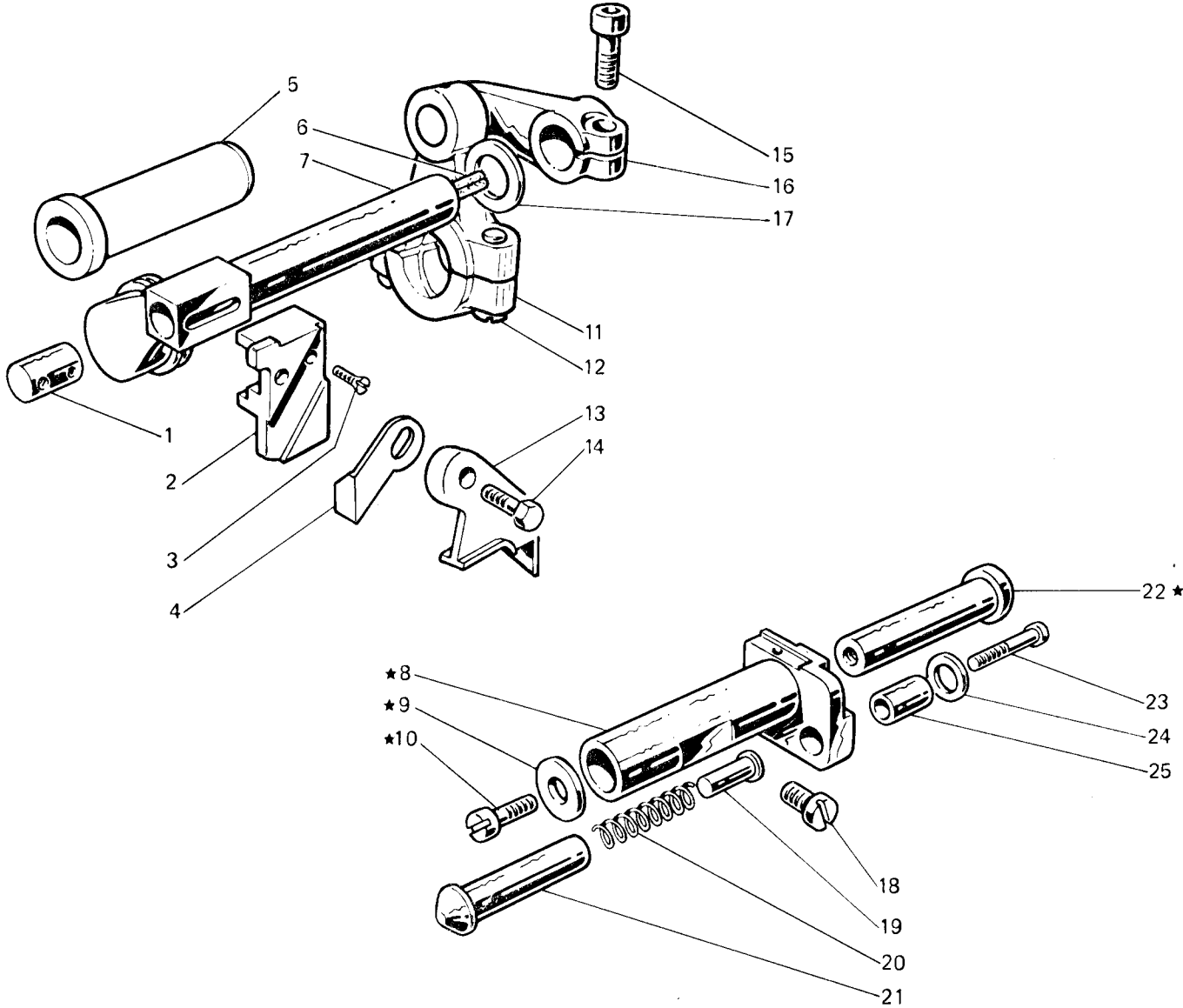


Fig. N. Abb. N.	Part. N. Bestell N. Pieza N.	Qt. Anzahl	DESCRIZIONE	DESCRIPTION	DESCRIPTION	BENENNUNG	DESCRIPCION
★	202133-4-10	1	porta coltello inferiore compl.	lower knife holder assembly	porte couteau inférieur compl.		
1	202130-0-11	1	perno	pin	pivot		
2	207588-0-00	1	placchetta	plate	plaque		
3	744533-0-00	1	vite	screw	vis		
4	200662-0-10	1	carterino	cover	carter		
5	206539-0-00	1	bussola	bush	bague		
6	778835-0-00	1	stoppino	wick	mèche		
7	207861-4-00	1	albero colt. sup. con stoppino	shaft	arbre		
8	202132-0-10	1	porta coltello inferiore	lower knife holding	porte couteau inférieur		
9	704409-0-00	1	rondella	washer	rondelle		
10	742457-2-00	1	vite	screw	vis		
11	206578-2-00	1	biella con viti	con-rod with screw	bielle avec vis		
12	743471-2-00	2	vite	screw	vis		
13	207589-0-00	1	staffa	bracket	équerre		
14	207421-0-00	1	vite	screw	vis		
15	744334-2-00	1	vite	screw	vis		
16	206574-2-00	1	manovella alb. coltello sup.	crank for upper knife shaft	manivelle arbre couteau sup.		
17	705029-0-00	1	rondella	washer	rondelle		
18	742758-0-00	1	vite	screw	vis		
19	206758-0-10	1	puntalino	pin	pivot		
20	202128-0-10	1	molla	spring	ressort		
21	206757-0-00	1	bussola	bush	bague		
22	202134-0-11	1	perno	pin	pivot		
23	722471-2-00	1	vite	screw	vis		
24	704406-0-00	1	rondella	washer	rondelle		
25	202129-0-10	1	bussola	bush	bague		

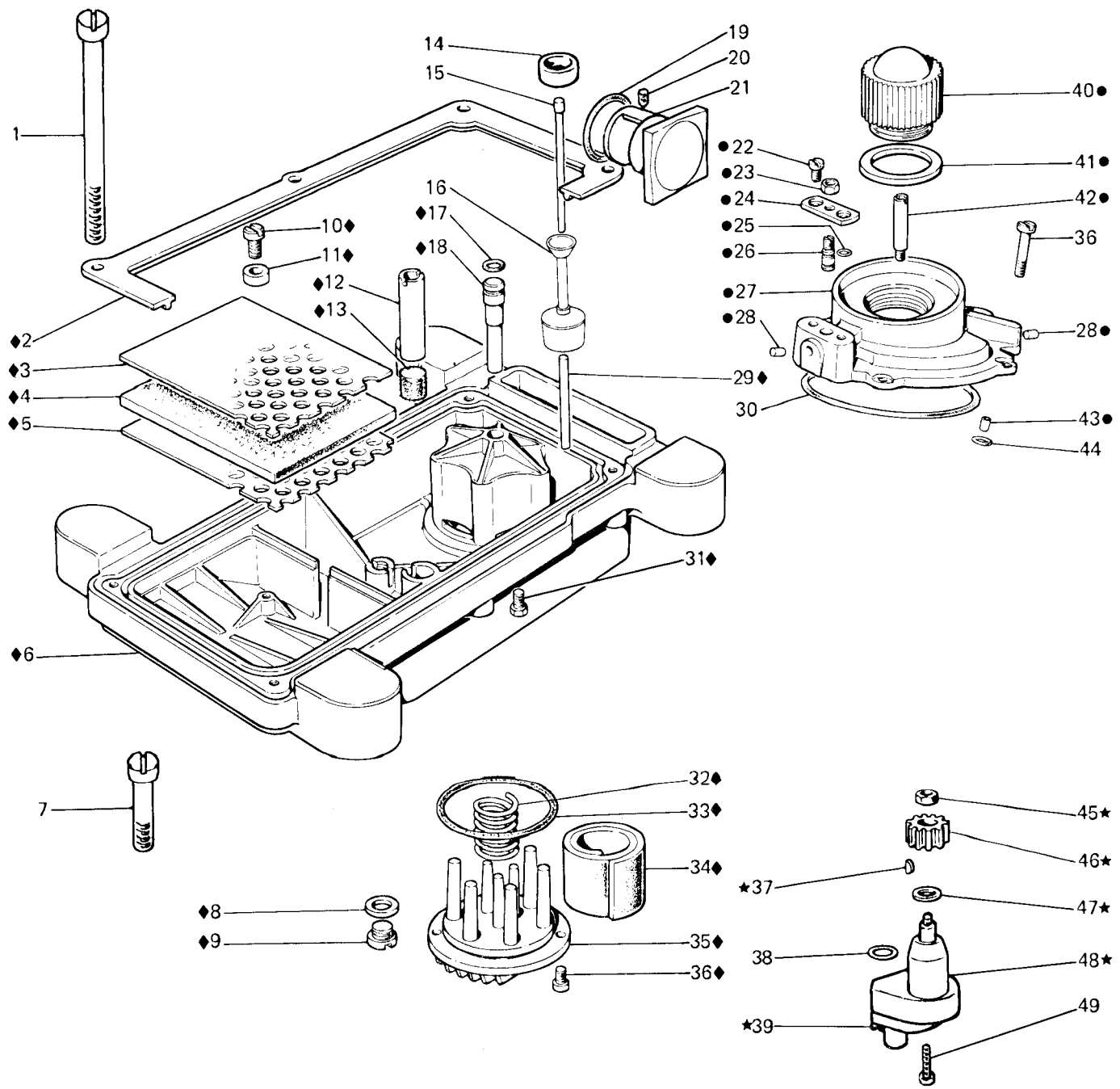


Fig. N. Abb. N.	Part. N. Bestell N. Piec N. Pieza N.	Qt. Anzahl	DESCRIZIONE	DESCRIPTION	DESCRIPTION	BENENNUNG	DESCRIPCION
●	207972-4-01	1	coperchio distrib. olio compl.	cover assembly		couvercle complet	
★	206550-4-03	1	gruppo pompa olio	oil pump assembly		groupe pompe à huile	
◆	208012-4-01	1	bacinella olio completa	oil sump assembly		réservoir huile complet	
1	207917-0-00	4	vite fissa bacinella	screw		vis	
2	207909-0-00	1	guarnizione bacinella	gasket		garniture	
3	206567-0-01	1	lamiera forata superiore	upper sheet		plaque perforée sup.	
4	206566-0-00	1	filtro	filter		filtre	
5	206565-0-01	1	lamiera forata inferiore	lower sheet		plaque perforée inf.	
6	207901-0-01	1	bacinella	oil sump		réservoir	
7	748086-2-00	1	vite fissa bacinella	screw		vis	
8	705977-0-00	1	rondella	washer		rondelle	
9	206564-0-00	1	tappo	plug		bouchon	
10	721484-2-00	1	vite	screw		vis	
11	990335-0-10	1	distanziale	spacer		entretoise	
12	206568-0-01	1	tubetto	pipe		tube	
13	206569-0-01	1	filtro	filter		filtre	
14	206667-0-00	1	tappo decompressione	plug		bouchon	
15	207975-0-00	1	astina indicat. liv. olio	stick		jauge niveau huile	
16	206665-2-00	1	galleggiante completo	float assembly		flotteur complet	
17	701005-0-00	1	anello di tenuta	retainer ring		bague d'étanchéité	
18	206558-0-01	1	tubo aspirante	pipe		tube	
19	701124-0-00	1	anello di tenuta	retainer ring		bague d'étanchéité	
20	729022-2-00	1	vite	screw		vis	
21	208087-3-00	1	indicatore livello olio	oil level gauge		indicateur niveau huile	
22	741535-0-00	2	vite	screw		vis	
23	746007-2-00	1	dado	nut		écrou	
24	207979-0-00	1	piastrina	plate		plaque	
25	701002-0-00	1	anello di tenuta	retainer ring		bague d'étanchéité	
26	207978-0-00	1	pistoncino	piston		piston	
27	207970-2-01	1	coperchio con tappo	cover with plug		couvercle with bouchon	
28	301586-0-10	2	tappo	plug		bouchon	
29	206662-0-00	1	spina	pin		goupille	
30	701151-0-00	1	anello di tenuta	retainer ring		bague d'étanchéité	
31	720411-2-00	1	vite	screw		vis	
32	206545-0-00	1	spirale per coperchio	spiral for cover		spirale pour couvercle	
33	701051-0-00	1	guarnizione	gasket		garniture	
34	206559-0-01	1	filtro	filter		filtre	
35	206560-0-20	1	coperchio	cover		couvercle	
36	722063-2-00	6	vite	screw		vis	
37	206557-0-00	1	chiavetta	key		clavette	
38	701004-0-00	1	anello di tenuta	retainer ring		bague d'étanchéité	
39	721494-2-00	2	vite	screw		vis	
40	207973-0-00	1	cupolina	cup		coupole	
41	705970-0-00	1	guarnizione	gasket		garniture	
42	207971-0-00	1	ugello	nozzle		gicleur	
43	207977-0-00	1	bussolina	bush		bague	
44	701106-0-00	1	anello di tenuta	retainer ring		bague d'étanchéité	
45	733507-0-00	1	dado	nut		écrou	
46	206555-0-01	1	ruota	wheel		roue	
47	704813-0-00	1	rondella	washer		rondelle	
48	206554-0-02	1	coperchio	cover		couvercle	
49	722511-2-00	2	vite	screw		vis	

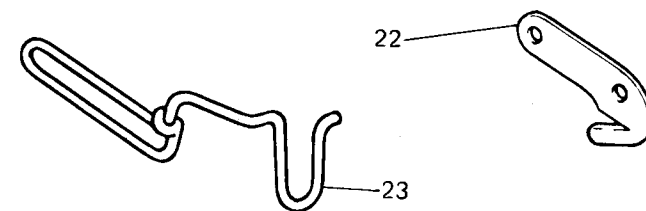
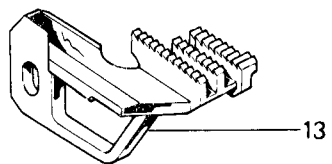
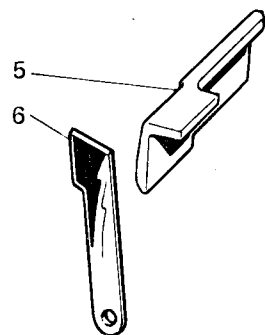
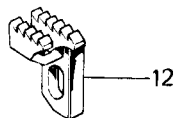
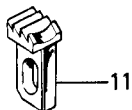
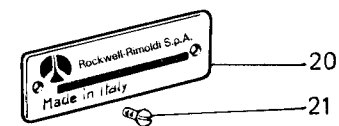
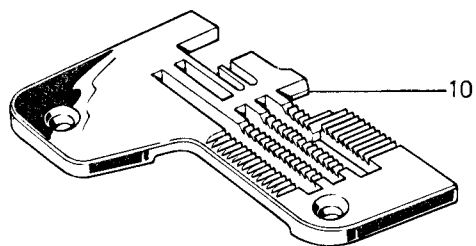
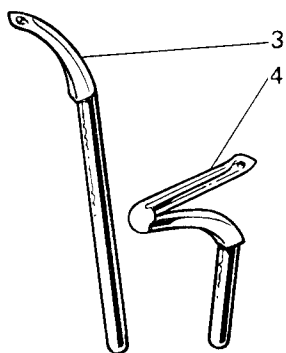
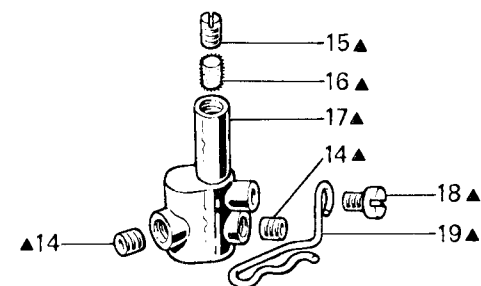
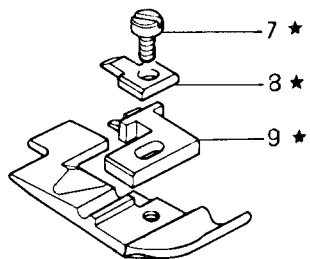
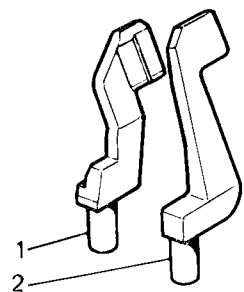


Fig. N. Abb. N.	Part. N. Piecce N. Bestell N. Pieza N.	Qt. Anzahl	DESCRIZIONE	DESCRIPTION	DESCRIPTION	BENENNUNG	DESCRIPTION
★	204037-3-11	1	piedino completo	presserfoot assembly	pied-presseur complet		
▲	207512-4-00	1	morsetto porta aghi completo	needles clamp assembly	porte-aiguilles complet		
1	207994-0-00	1	salva ago	rear needle guard	protège-aiguille		
2	207997-0-00	1	spingi asola	front needle guard	pare-boucle		
3	206208-0-00	1	crochet superiore	upper looper	crochet supérieur		
4	202094-0-11	1	crochet inferiore	lower looper	crochet inférieur		
5	202932-0-10	1	coltello superiore	upper knife	couteau supérieur		
6	203012-0-10	1	coltello inferiore	lower knife	couteau inférieur		
7	741675-2-00	1	vite	screw	vis		
8	203772-0-11	1	staffa	bracket	bride		
9	203569-0-11	1	linguetta	tongue	languette		
10	203547-0-11	1	placca ago larg. costa 8 mm	needle plate width bight 8 mm	plaque à aiguille larg. surjet 8 mm		
11	203612-0-10	1	griffino	feed dog	petite griffe		
12	203609-0-10	1	griffa sussidiaria	subsidiary feed dog	griffe subsidiaire		
13	206298-0-00	1	griffa principale	main feed dog	griffe principale		
14	745810-2-00	2	vite	screw	vis		
15	727021-0-00	1	vite	screw	vis		
16	778206-0-00	1	stoppino	wick	mèche		
17	207522-2-00	1	morsetto porta aghi	needles clamp	porte-aiguilles		
18	741415-2-00	1	vite	screw	vis		
19	207542-0-00	1	guidafilo	thread guide	guide-fil		
20	780214-0-40	1	targhetta classe testa	head class plate	plaque classe tête		
21	202165-0-10	2	vite	screw	vis		
22	202194-0-10	1	piastrina	plate	plaque		
23	990694-0-00	1	salvadita	protection	protection		
			SOLO A RICHIESTA	ONLY ON REQUEST	SEULEMENT SUR DEMANDE		
3	206209-0-00	1	crochet superiore	upper looper	crochet supérieur		
4	202095-0-11	1	crochet inferiore	lower looper	crochet inférieur		
5	207001-2-00	1	coltello superiore	upper knife	couteau supérieur		
6	207016-2-00	1	coltello inferiore	lower knife	couteau inférieur		
10	203578-0-11	1	placca ago larg. costa 5,5 mm	needle plate width bight 5,5 mm	plaque à aiguille larg. surjet 5,5 mm		
	204026-0-11	1	placca ago larg. costa 7 mm	needle plate width bight 7 mm	plaque à aiguille larg. surjet 7 mm		

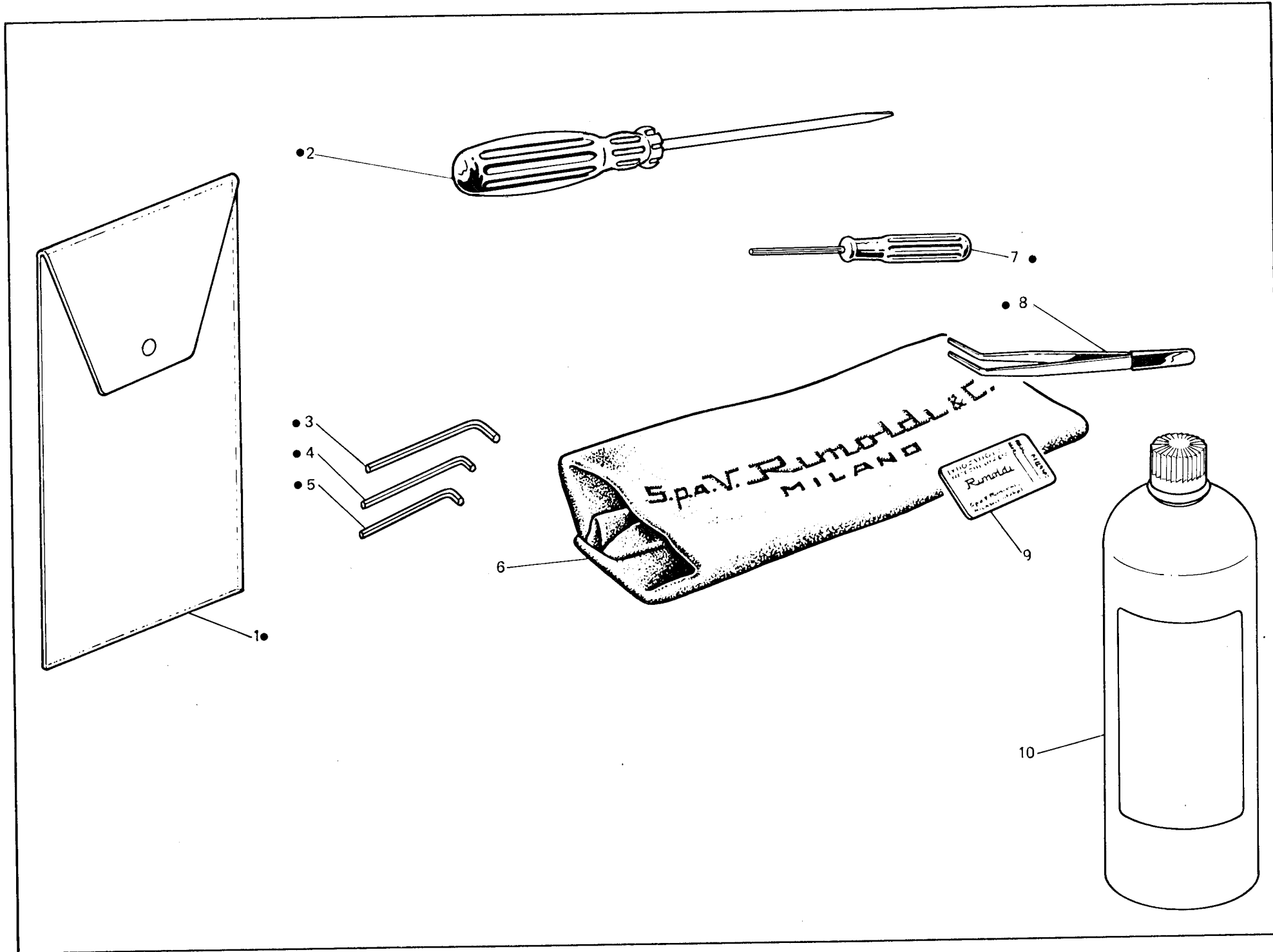
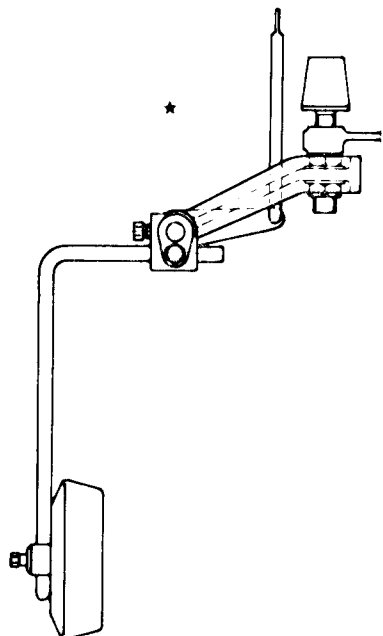


Fig. N. Abb. N.	Part. N. Piecce N. Bestell N. Pieza N.	Qt. Anzahl	DESCRIZIONE	DESCRIPTION	DESCRIPTION	BENENNUNG	DESCRIPCION
●	991400-4-02	1	busta accessori completa	accessories envelope assembly	envelope accessoires complète		
1	991415-0-00	1	busta accessori	accessories envelope	envelope accessoires		
2	990723-0-00	1	cacciavite medio	screw driver	tournevis moyen		
3	990639-0-10	1	chiave esag. da 3 mm	3 mm hexagonal key	clé hexagonale de 3 mm		
4	990685-0-10	1	chiave esag. da 2,5 mm	2,5 mm hexagonal key	clé hexagonale de 2,5 mm		
5	990325-0-10	1	chiave esag. da 2 mm	2 mm hexagonal key	clé hexagonale de 2 mm		
6	990183-0-12	1	cuffia protezione testa	machine cover	couverture protection tête		
7	990474-0-11	1	chiave esag. da 1,5 mm	1,5 mm hexagonal key	clé hexagonale de 1,5 mm		
8	990176-0-10	1	pinza per infilatura	threading clers	pince pour enfilage		
9	★	1	bustina aghi	needles packet	paquette aiguilles		
10	990075-1-13	1	lattina olio da 1 kg	oil container 1 kg	bidon huile de 1 kg		
			★ per l'ordinazione della bustina citare lo stesso simbolo dell'ago montato sulla testa	to order packet of needles please specify symbol of needle fitted on machine	pour commander un sachet d'aiguille donner le symbol de l'aiguille montée sur la tête		

PIAZZAMENTO NORMALE
NORMAL SETTING



PIAZZAMENTO INCASSATO
SUBMERGED SETTING

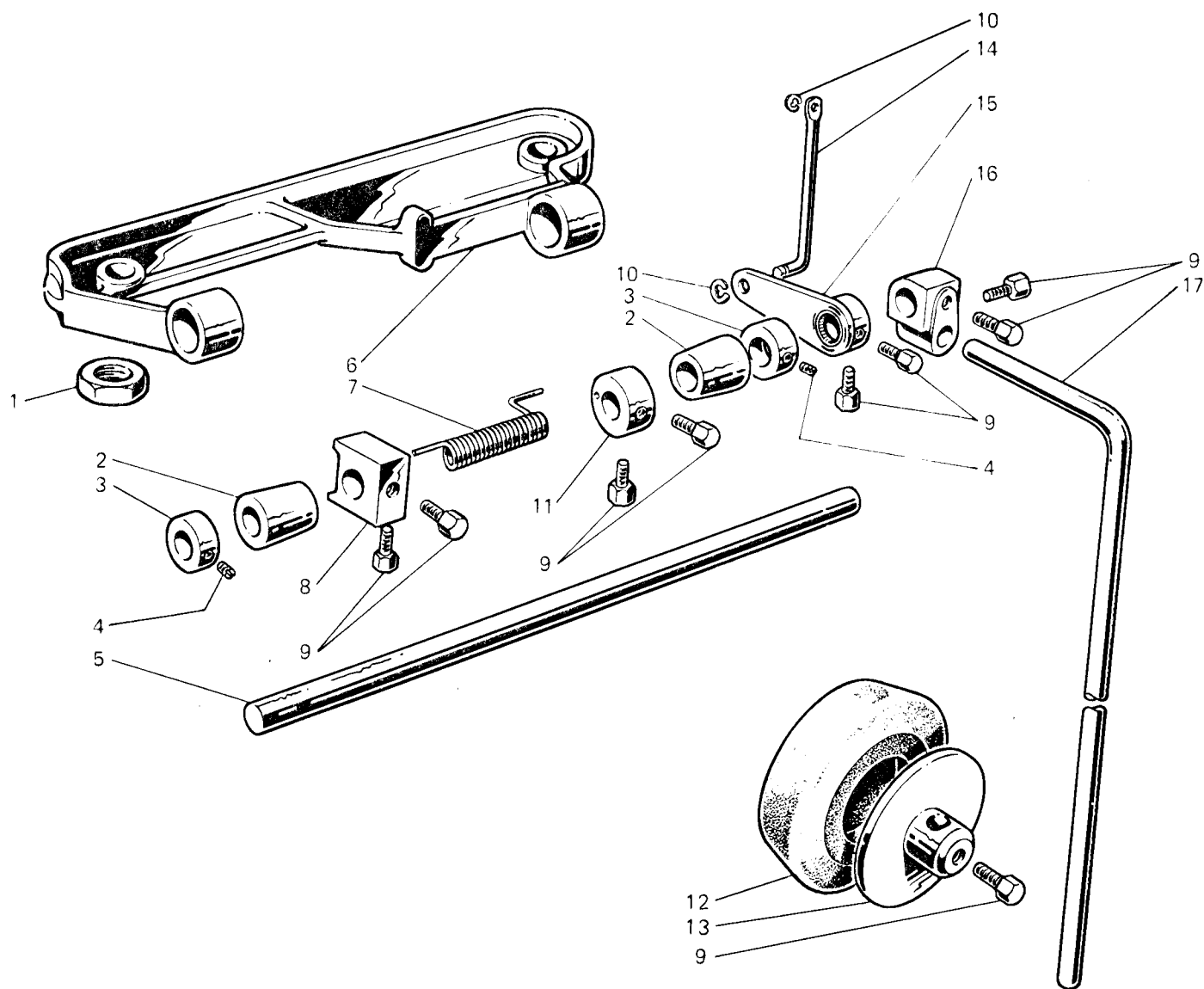
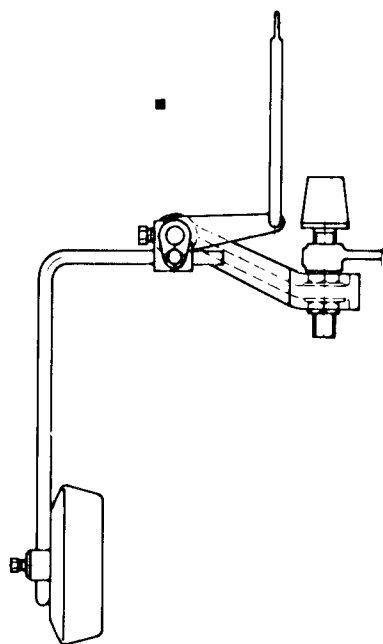


Fig. N. Abb. N.	Part. N. Bestell N. Piece N. Pieza N.	Qt. Anzahl	DESCRIZIONE	DESCRIPTION	DESCRIPTION	BENENNUNG	DESCRIPCION
★	920245-4-01	1	ginocchiello completo (piazzamento normale)	knee-press assembly (normal setting)	genouillère complète (installation normale)		
■	920246-4-01	1	ginocchiello completo (piazzamento incassato)	knee-press assembly (submerged setting)	genouillère complète (installation encastrée)		
1	733008-2-00	2	dado	nut	écrou		
2	920231-0-00	2	bussola	bush	bague		
3	920242-2-00	2	anello	ring	anneau		
4	729013-2-00	2	vite	screw	vis		
5	920230-0-00	1	albero	shaft	arbre		
6	920241-0-00	1	supporto	support	support		
7	920235-0-00	1	molla (piazz. normale)	spring (normal setting)	ressort (installation normale)		
	920106-0-10	1	molla (piazz. incassato)	spring (submerged setting)	ressort (installation encastrée)		
8	920128-0-00	1	ancora	anchoring	butée		
9	740035-0-00	9	vite	screw	vis		
10	700206-0-00	2	anello elastico	spring ring	anneau ressort		
11	920114-0-10	1	anello	ring	anneau		
12	920113-0-10	1	cuscinio	pad	coussin		
13	920105-0-10	1	disco	disc	disque		
14	920236-0-01	1	tirante (piazz. normale)	tie-rod (normal setting)	tirant (installation normale)		
	920237-0-01	1	tirante (piazz. incassato)	tie-rod (submerged setting)	tirant (installation encastrée)		
15	920232-2-00	1	leva	lever	levier		
16	920103-0-10	1	attacco	coupling	raccord		
17	920490-0-10	1	asta	rod	tige		

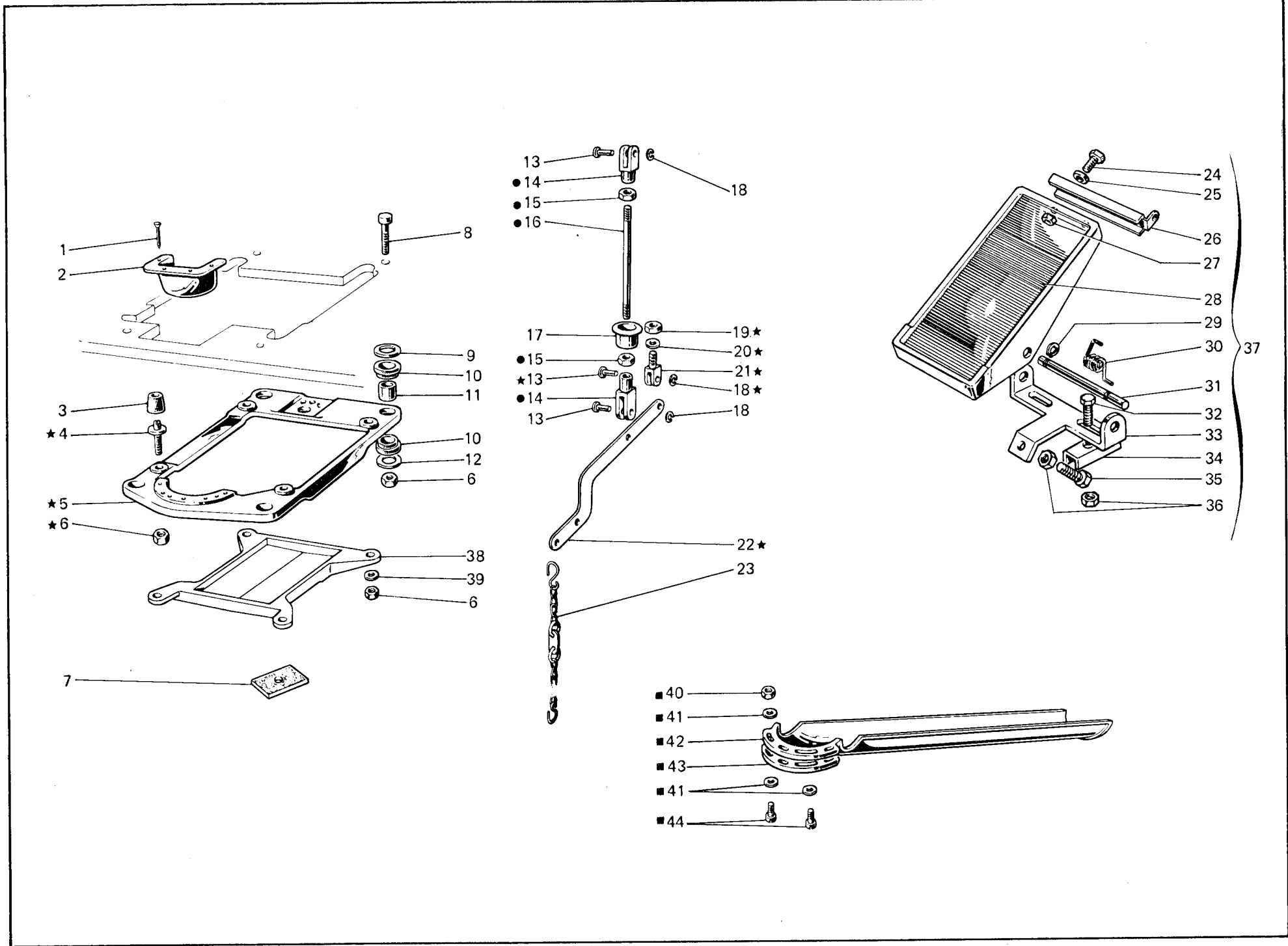


Fig. N. Abb. N.	Part. N. Bestell N. Piece N. Pieza N.	Qt. Anzahl	DESCRIZIONE	DESCRIPTION	DESCRIPTION	BENENNUNG	DESCRIPCION
★	990986-4-01	1	PIAZZAMENTO NORMALE	NORMAL SETTING	INSTALLATION NORMAL		
●	990984-4-01	1	supporto testa completo	head support assembly	support tête complet		
1	900201-0-10	4	tirante alza piedino completo	presser tie rod assembly	tirant pour soulèvement pied-presseur		
2	991187-0-00	1	chiodino	rivet	clou		
3	990982-0-00	4	bocchetta	cup	bouche		
4	900694-0-11	4	ammortizzatore	shock absorber	amortisseur		
5	990981-0-00	1	perno	pin	pivot		
6	733008-2-00	12	supporto testa	head support	support tête		
7	900203-0-10	4	dado	nut	écrou		
8	722905-2-00	4	ammortizzatori per tavola	shock absorber	amortisseur		
9	704346-2-00	4	vite	screw	vis		
10	901101-0-00	4	rondella	washer	rondelle		
11	901102-0-00	8	ammortizzatore	shock absorber	amortisseur		
12	704345-2-00	4	distanziale	spacer	entretoise		
13	990311-0-10	4	rondella	washer	rondelle		
14	990310-0-10	3	perno	pin	pivot		
15	746402-2-00	2	giunto	joint	joint		
16	990452-0-00	2	dado	nut	écrou		
17	900204-0-10	1	tirante	tie-rod	tirant		
18	700205-0-00	1	bussola	bush	bague		
19	746409-2-00	3	anello elastico	spring ring	anneau ressort		
20	704424-2-00	1	dado	nut	écrou		
21	990314-0-11	1	rondella	washer	rondelle		
22	990316-0-10	1	supportino	support	support		
23	990179-4-11	1	leva	lever	levier		
24	720464-4-00	1	catenella completa	chain assembly	chaînette complète		
25	704009-4-00	2	vite	screw	vis		
26	900926-0-00	2	rondella	washer	rondelle		
27	733508-4-00	1	attacco	coupling	raccord		
28	900931-0-00	2	dado	nut	écrou		
29	900918-0-00	1	copertura	covering	couverture		
30	900927-0-00	2	anello elastico	spring ring	anneau ressort		
31	900928-0-00	1	molla	spring	anneau		
32	720505-4-00	1	perno	pin	pivot		
33	900929-0-01	2	vite	screw	vis		
34	900920-0-00	1	supporto	support	support		
35	720545-4-00	2	piastrina	plate	plaque		
36	733510-4-00	1	vite	screw	vis		
37	733510-4-00	3	dado	nut	écrou		
38	900925-4-01	1	pedalina completa	pedal assembly	pédale complète		
39	991218-0-00	1	sottobacinella	under ban	sous réservoir		
40	704536-0-00	4	rondella	washer	rondelle		
■	991186-1-00	1	SOLO A RICHIESTA	ONLY ON REQUEST	SEULEMENT SUR DEMANDE		
41	733507-2-00	1	gruppo canale scarica ritagli	offlet assembly	groupe décharge chutes		
42	704409-2-00	1	dado	nut	écrou		
43	991186-0-00	4	rondella	washer	rondelle		
44	991189-0-00	1	canale scarica ritagli	offlet	décharge chutes		
45	742068-2-00	1	piastra di rinforzo	plate	plaque		
46		3	vite	screw	vis		

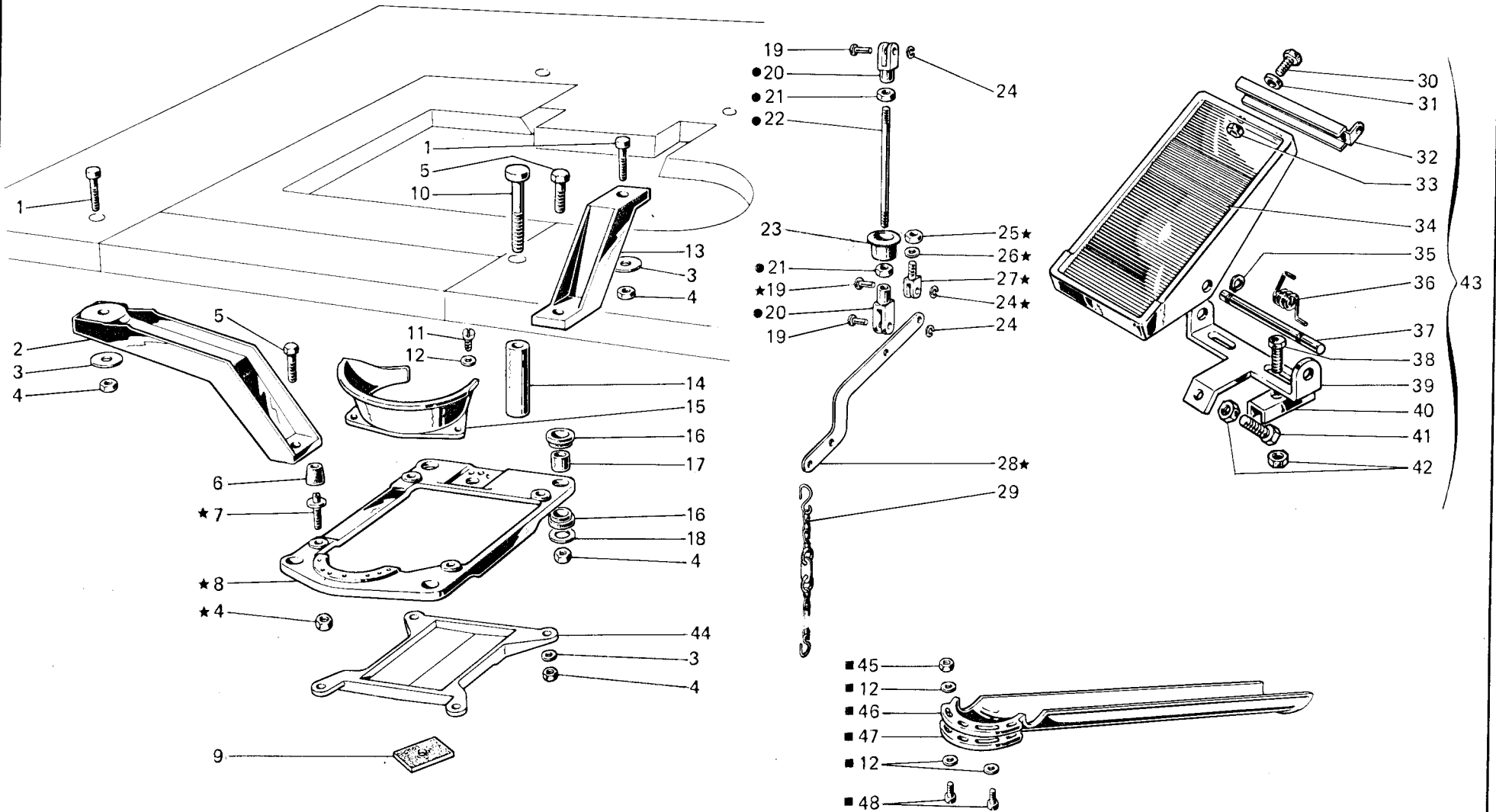


Fig. N. Abb. N.	Part. N. Bestell N. Piece N. Pieza N.	Qt. Anzahl	DESCRIZIONE	DESCRIPTION	DESCRIPTION	BENENNUNG	DESCRIPCION
			PIAZZAMENTO INCASSATO	SUBMERGED SETTING	INSTALLATION ENCASTREE		
★	990986-4-01	1	supporto testa completo	head support assembly	support tête complet		
●	990984-4-01	1	tirante alza piedino completo	presser tie-rod assembly	tirant pour soulèvement pied-presseur		
1	722905-2-00	2	vite	screw	vis		
2	901105-0-00	1	staffa laterale	side bracket	bride latéral		
3	704536-0-00	6	rondella	washer	rondelle		
4	733008-2-00	14	dado	nut	écrou		
5	720566-2-00	2	vite	screw	vis		
6	990982-0-00	4	ammortizzatore	shock absorber	amortisseur		
7	900694-0-11	4	perno	pin	pivot		
8	990981-0-00	1	supporto testa	head support	support tête		
9	900203-0-10	4	ammortizzatore per tavola	shock absorber	amortisseur		
10	722917-2-00	2	vite	screw	vis		
11	721475-2-00	2	vite	screw	vis		
12	704409-2-00	2	rondella	washer	rondelle		
13	901104-0-00	1	staffa posteriore	bracket	bride		
14	901103-0-10	2	distanziale	spacer	entretoise		
15	991188-0-00	1	bocchetta	cup	bouche		
16	901101-0-00	8	ammortizzatore	shock absorber	amortisseur		
17	901102-0-00	4	distanziale	spacer	entretoise		
18	704345-2-00	4	rondella	washer	rondelle		
19	990311-0-10	3	perno	pin	pivot		
20	990310-0-10	2	giunto	joint	joint		
21	746402-2-00	2	dado	nut	écrou		
22	990452-0-00	1	tirante	tie-rod	tirante		
23	900204-0-10	1	bussola	bush	bague		
24	700205-0-00	3	anello elastico	spring ring	anneau ressort		
25	746409-2-00	1	dado	nut	écrou		
26	704424-2-00	1	rondella	washer	rondelle		
27	990314-0-11	1	supportino	support	support		
28	990316-0-10	1	leva	lever	levier		
29	990179-4-11	1	catenella completa	chain assembly	chaînette complète		
30	720464-4-00	2	vite	screw	vis		
31	704009-4-00	2	rondella	washer	rondelle		
32	900926-0-00	1	attacco	coupling	raccord		
33	733508-4-00	2	dado	nut	écrou		
34	900931-0-00	1	copertura	covering	couverture		
35	900918-0-00	2	anello elastico	spring ring	anneau ressort		
36	900927-0-00	1	molla	spring	ressort		
37	900928-0-00	1	perno	pin	pivot		
38	720505-4-00	2	vite	screw	vis		
39	900929-0-01	1	supporto	support	support		
40	900920-0-00	2	piastrina	plate	plaque		
41	720545-4-00	1	vite	screw	vis		
42	733510-4-00	3	dado	nut	écrou		
43	900925-4-01	1	pedalina completa	pedal assembly	pédale complète		
44	991218-0-00	1	sottobacinella	underban	sous réservoir		
			SOLO A RICHIESTA	ONLY ON REQUEST	SEULEMENT SUR DEMANDE		
■	991186-1-00	1	gruppo canale scarica ritagli	offlet assembly	groupe décharge chutes		
12	704409-2-00	4	rondella	washer	rondelle		
45	733507-2-00	1	dado	nut	écrou		
46	991186-0-00	1	canale scarica ritagli	offlet	décharge chutes		
47	991189-0-00	1	piastra di rinforzo	plate	plaque		
48	742068-2-00	3	vite	screw	vis		

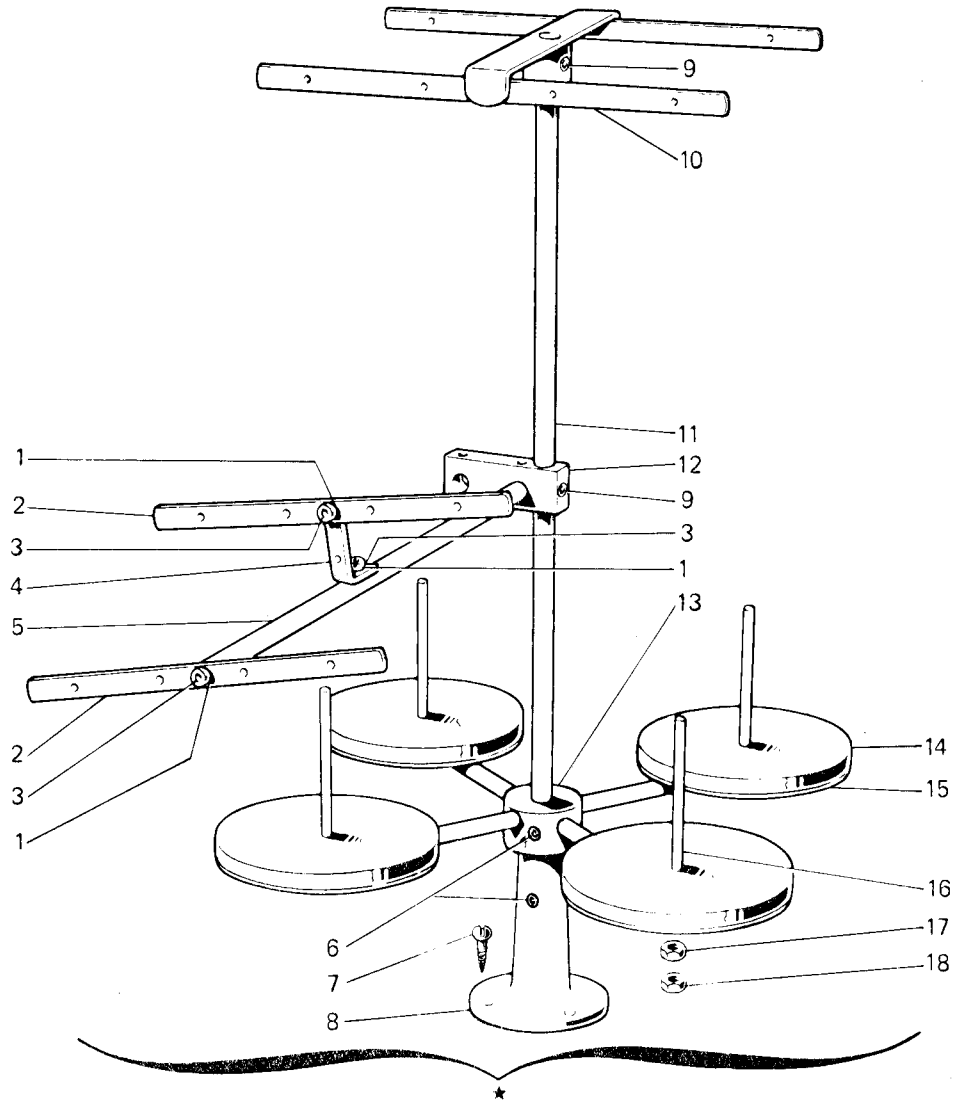


Fig. N. Abb. N.	Part. N. Bestell N. Piece N. Pieza N.	Qt. Anzahl	DESCRIZIONE	DESCRIPTION	DESCRIPTION	BENENNUNG	DESCRIPCION
★	991120-5-00	1	porta bobine compl. (4-3 fili)	bobbin carrier ass.(4-3 threads)	porte bobine compl.(4-3 fils)		
1	703005-0-00	3	rondella	washer	rondelle		
2	991108-2-00	2	tubetto con bussole	frame with bushes	bâti avec bagues		
3	722431-2-00	3	vite	screw	vis		
4	991107-2-00	1	squadretta con viti e rondelle	bracket with screws and washers	équerre avec vis et rondelles		
5	991106-2-00	1	asta con rondelle e viti	rod with washers and screws	tige avec rondelles et vis		
6	729054-2-00	3	vite	screw	vis		
7	731107-2-00	3	vite	screw	vis		
8	991114-2-00	1	basetta	base	base		
9	729034-2-00	3	vite	screw	vis		
10	991121-3-00	1	telaietto superiore	upper frame	bâti supérieur		
11	991113-0-00	1	asta principale	main rod	tige principale		
12	991128-2-00	1	blocchetto con viti	block with screws	bloc avec vis		
13	991129-3-00	1	mozzo con aste e viti	hub with rod and screws	moyeau avec tiges et vis		
14	991179-0-00	4	disco	disc	disque		
15	991112-0-00	4	piatto	disc	plateau		
16	991111-2-00	4	astina con dadi	rod with nuts	tige avec écrous		
17	733508-2-00	4	dado	nut	écrou		
18	925433-0-00	4	dado	nut	écrou		

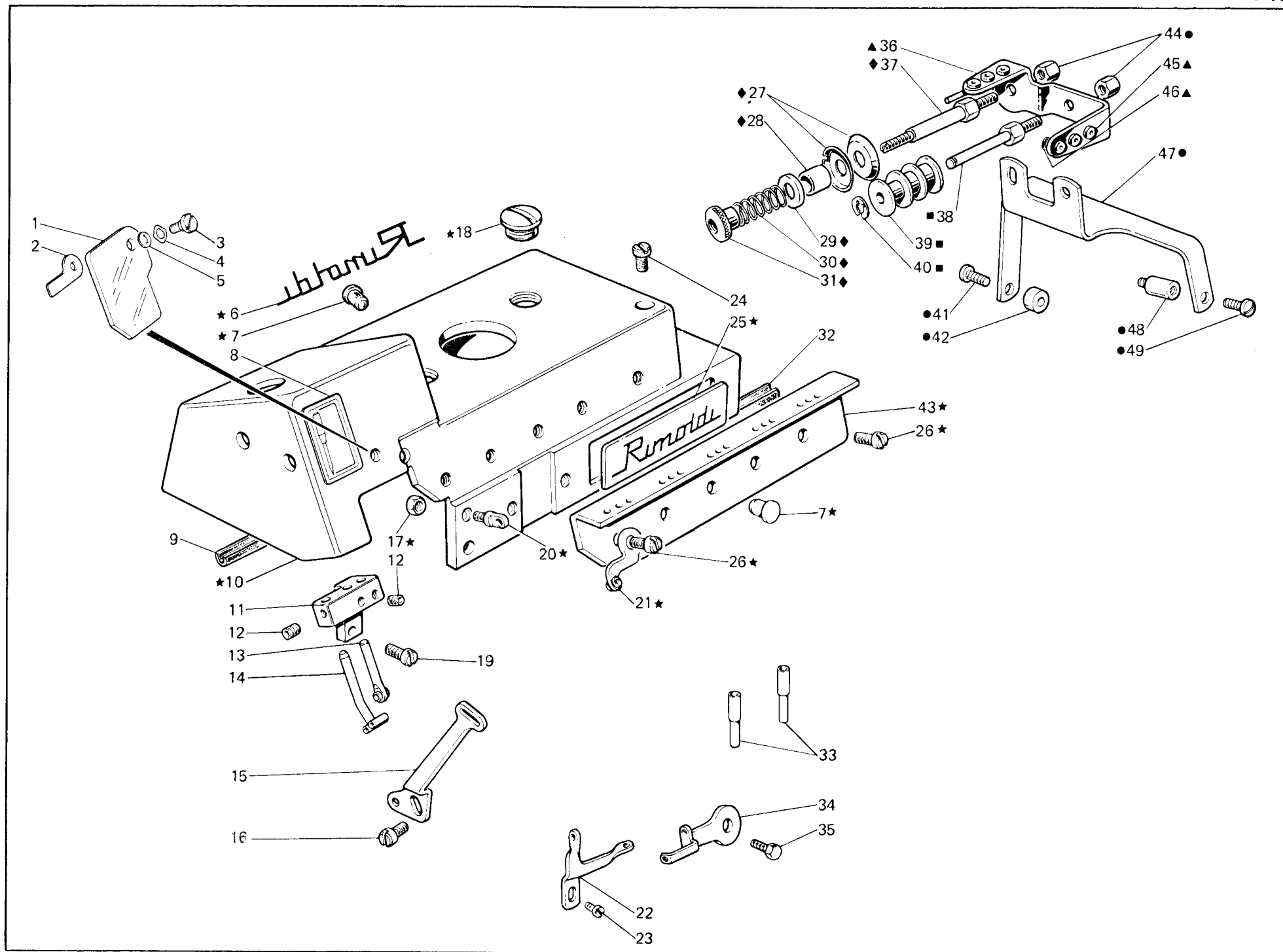


Fig. N. Abb. N.	Part. N. Piece N. Bestell N. Pieza N.	Qt. Anzahl	DESCRIZIONE	DESCRIPTION	DESCRIPTION	BENENNUNG	DESCRIPCION
★	208115-4-00	1	coperchio sup. compl. (con fig. ●)	upper cover assembly (with fig. ●)	couvercle sup. complet (avec fig. ●)		
●	208017-4-00	1	gruppo tensione a carrucola (con fig. ◆ ■ ▲)	tension assembly (with fig. ◆ ■ ▲)	groupe tension (avec fig. ◆ ■ ▲)		
◆	203395-4-10	1	perno con dischi tensione	pin	pivot		
■	203393-4-10	1	carrucola guidafile	thread guide pulley	poulie guide-fil		
▲	203390-4-10	1	piastra con bussole passafili	plate	plaque		
1	208221-0-00	1	piastrina protezione	protection plate	plaque protection		
2	208222-0-00	1	piastrina	plate	plaque		
3	208224-0-00	1	vite	screw	vis		
4	208220-0-00	1	anello elastico	spring ring	anneau ressort		
5	704630-0-00	1	rondella	washer	rondelle		
6	100305-0-10	1	decalcomania	decalcomania	décalcomanie		
7	207893-0-00	3	tappo	plug	bouchon		
8	788002-0-01	1	decalcomania sist. aghi	needles syst. decalcomania	décalcomanie syst. aiguilles		
9	208091-0-00	1	guarnizione	gasket	garniture		
10	207910-0-00	1	coperchio superiore	upper cover	couvercle supérieur		
11	207916-0-00	1	supporto passafili aghi	support	support		
12	745800-2-00	2	vite	screw	vis		
13	208184-2-00	1	passafilo	thread guide	passe-fil		
14	203647-2-13	1	passafilo ago	needle thread guide	passe-fil aiguille		
15	207870-0-00	1	tendifilo ago	needle thread take-up	tendeur du fil aiguille		
16	741558-0-00	2	vite	screw	vis		
17	733503-0-00	3	dado	nut	écrou		
18	207968-0-00	2	tappo	plug	bouchon		
19	741956-2-00	2	vite	screw	vis		
20	206711-0-00	3	passafilo	thread guide	passe-fil		
21	206713-2-00	1	passafilo	thread guide	passe-fil		
22	202280-0-10	1	tendifilo	thread take-up	tendeur du fil		
23	741657-0-00	1	vite	screw	vis		
24	721484-2-00	3	vite fissa coperchio superiore	screw	vis		
25	207918-0-00	1	targhetta	plate	plaque		
26	202397-0-10	2	vite	screw	vis		
27	201009-0-10	6	disco tensione	tension disc	disque tension		
28	203396-0-10	2	distanziale	spacer	entretoise		
29	200821-0-10	1	scodellino	cup	cuvette		
30	203381-0-10	1	molla	spring	ressort		
31	100529-0-10	1	pomolo	knob	pommeau		
32	208090-0-00	1	guarnizione	gasket	garniture		
33	206740-0-00	2	tubetto passafilo	thread guide pipe	tube passe-fil		
34	202283-0-10	1	tendifilo	thread take-up	tendeur du fil		
35	720431-2-00	1	vite	screw	vis		
36	203389-2-10	1	piastra passafili	plate	plaque		
37	203394-0-10	1	perno	pin	pivot		
38	100528-0-10	1	perno	pin	pivot		
39	203392-2-10	1	carrucola	pulley	poulie		
40	700205-0-00	1	anello elastico	spring ring	anneau ressort		
41	742652-0-00	1	vite	screw	vis		
42	206893-0-00	1	distanziale	spacer	entretoise		
43	207919-0-00	1	piastra passafili	thread guide plate	plaque pour passe-fil		

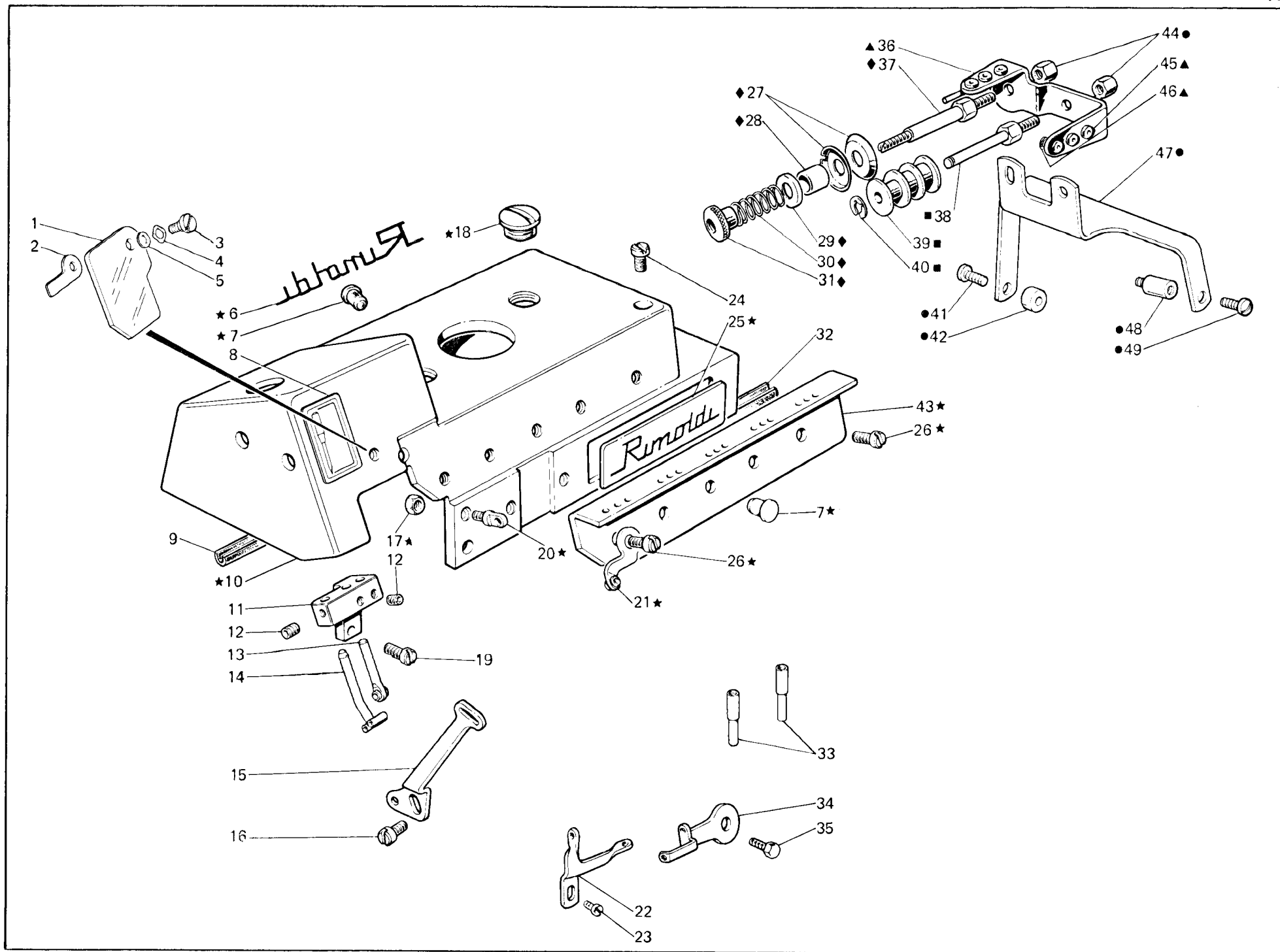


Fig. N. Abb. N.	Part. N. Bestell N. Piece N. Pieza N.	Qt. Anzahl	DESCRIZIONE	DESCRIPTION	DESCRIPTION	BENENNUNG	DESCRIPCION
44	746022-2-00	2	dado	nut	écrou		
45	100527-0-10	6	bussola passafilo	bush	bague		
46	300429-0-10	6	anellino	ring	anneau		
47	208016-0-00	1	sostegno	support	support		
48	206896-0-00	1	colonnina	column	colonne		
49	202397-0-10	1	vite	screw	vis		
			SOLO A RICHIESTA	ONLY ON REQUEST	SEULEMENT SUR DEMANDE		
--	208311-4-00	1	gruppo passafilo	thread guide assembly	groupe passe-fil		
13	208179-2-00	1	passafilo	thread guide	passe-fil		
14	208197-3-00	1	passafilo ago	needle thread guide	passe-fil aiguille		
17	733503-0-00	3	dado	nut	écrou		
20	208204-2-00	3	passafilo	thread guide	passe-fil		
21	208185-2-00	1	passafilo	thread guide	passe-fil		

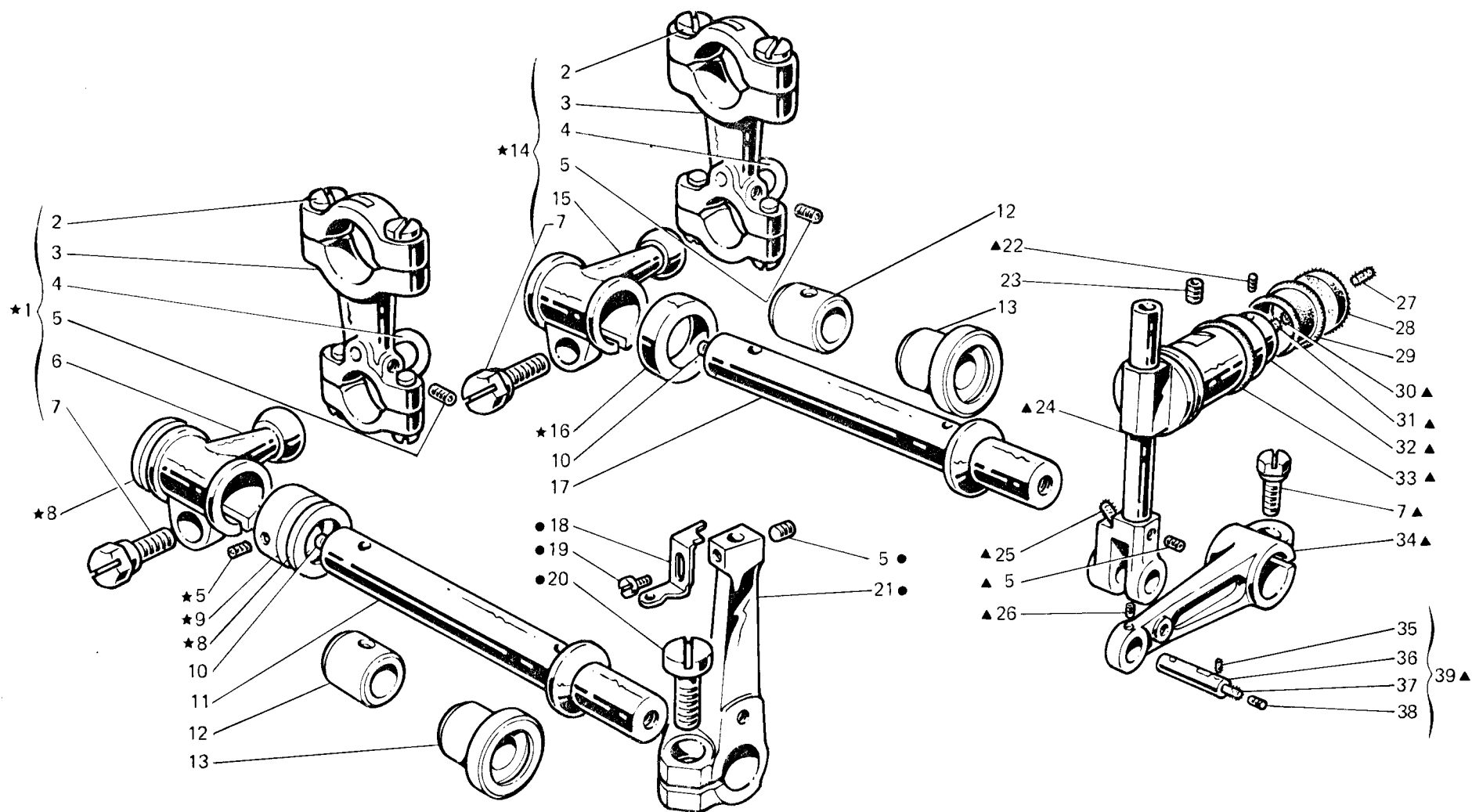


Fig. N. Abb. N.	Part. N. Piese N. Bestell N. Pieza N.	Qt. Anzahl	DESCRIZIONE	DESCRIPTION	DESCRIPTION	BENENNUNG	DESCRIPCION
★	206396-4-01	1	gruppo manicotti com. crochet	looper control coupling assembly	groupe manchon comm. crochet		
▲	206416-4-00	1	gruppo comando crochet sup.	upper looper control assembly	groupe commande crochet sup.		
●	208039-4-00	1	gruppo porta crochet inferiore	lower looper assembly	groupe porte crochet inférieur		
1	206454-4-01	1	gruppo manicotto con biella	coupling assembly with con-rod	groupe manchon avec bielle		
2	743243-2-00	8	vite per biella	screw	vis		
3	202071-2-20	1	biella con viti	con-rod with screw	bielle avec vis		
4	206643-0-01	2	cavallotto	coupling	cavalier		
5	745812-2-00	6	vite	screw	vis		
6	206660-2-02	1	manicotto	coupling	manchon		
7	201128-0-10	3	vite	screw	vis		
8	704848-0-00	2	rondella	washer	rondelle		
9	206606-2-00	1	anello con viti	ring	bague		
10	206695-0-00	2	tappo per albero	plug for shaft	bouchon pour arbre		
11	207096-2-00	1	albero crochet inferiore	shaft lower looper	arbre crochet inférieur		
12	206651-0-00	2	bussola	bush	bague		
13	202065-0-20	2	bussola	bush	bague		
14	206452-4-00	1	gruppo manicotto con biella	coupling with con-rod	groupe manchon avec bielle		
15	206658-2-02	1	manicotto	coupling	manchon		
16	704847-0-00	1	rondella	washer	rondelle		
17	207095-2-00	1	albero crochet superiore	upper looper shaft	arbre crochet supérieur		
18	208015-0-00	1	squadretta	bracket	équerre		
19	741415-0-00	1	vite	screw	vis		
20	721883-0-00	1	vite	screw	vis		
21	206654-2-10	1	porta crochet inf.	lower looper holder	porte crochet inférieur		
22	745800-2-00	1	vite	screw	vis		
23	745168-0-00	1	vite	screw	vis		
24	206411-3-00	1	guida oscillante	oscillating guide	guide oscillant		
25	778403-0-00	1	stoppino	wick	mèche		
26	745810-2-00	1	vite	screw	vis		
27	778236-0-00	1	stoppino	wick	mèche		
28	206686-0-00	1	disco lubrificazione guida	disc	disque		
29	202720-0-00	1	paraolio	oil retainer	pare-huile		
30	778405-0-00	1	stoppino	wick	mèche		
31	778410-0-00	1	stoppino	wick	mèche		
32	202062-2-10	1	anello con vite	ring with screw	anneau avec vis		
33	701113-0-00	1	anello di tenuta	circlip	circlip		
34	206652-2-01	1	braccio	arm	bras		
35	778202-0-00	4	stoppino	wick	mèche		
36	202086-0-11	1	spina	pin	goupille		
37	778401-0-00	1	stoppino	wick	mèche		
38	745002-0-00	1	vite	screw	vis		
39	206645-4-01	1	spina completa	pin assembly	goupille compl.		

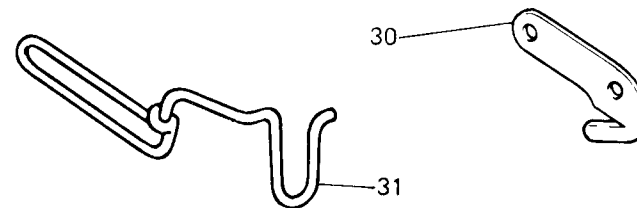
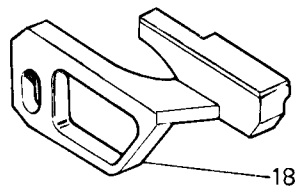
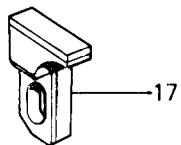
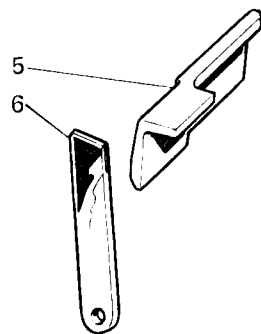
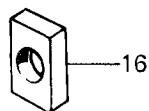
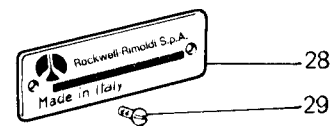
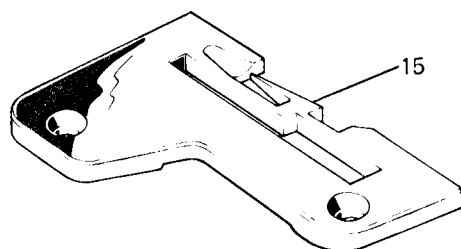
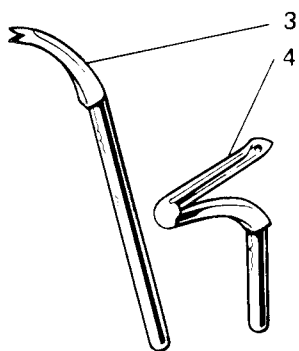
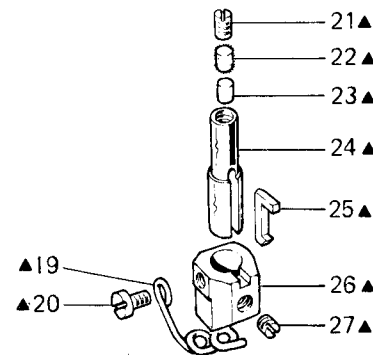
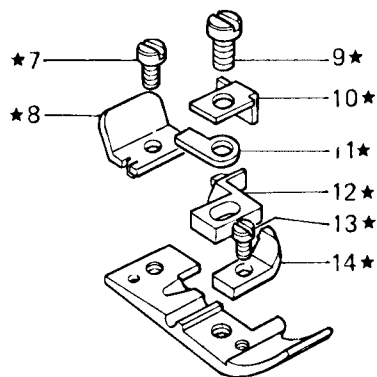
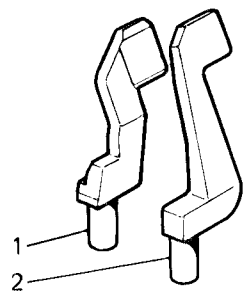


Fig. N. Abb. N.	Part. N. Piecce N. Bestell N. Pieza N.	Qt. Anzahl	DESCRIZIONE	DESCRIPTION	DESCRIPTION	BENENNUNG	DESCRIPCION
★	203447-3-11	1	pedino completo	presserfoot assembly	pied-presseur complet		
▲	207511-4-10	1	morsetto porta aghi completo	needles clamp assembly	porte-aiguilles complet		
1	207992-0-00	1	salva ago	rear needle guard	protège-aiguille		
2	207995-0-00	1	spingi asola	front needle guard	pare-boucle		
3	202092-0-11	1	crochet superiore cieco	upper blind looper	crochet supérieur aveugle		
4	202413-0-11	1	crochet inferiore	lower looper	crochet inférieur		
5	207000-2-00	1	coltello superiore	upper knife	couteau supérieur		
6	207015-2-00	1	coltello inferiore	lower knife	couteau inférieur		
7	741413-2-00	1	vite	screw	vis		
8	202192-0-10	1	piastrina	plate	plaque		
9	741675-2-00	1	vite	screw	vis		
10	203483-0-11	1	piastrina	plate	plaque		
11	202201-0-11	1	staffa	bracket	bride		
12	203453-0-11	1	linguetta	tongue	languette		
13	741431-2-00	1	vite	screw	vis		
14	202184-0-11	1	blocchetto	block	bloc		
15	203437-0-11	1	placca ago larg. costa 3,2 mm	needle plate width bight 3,2 mm	plaque à aiguille largeur surjet 3,2 mm		
16	203426-0-10	1	finto griffino	mock feed dog	fausse petite griffe		
17	203423-2-11	1	griffa sussidiaria	subsidiary feed dog	griffe subsidiaire		
18	203419-2-11	1	griffa principale	main feed dog	griffe principale		
19	207541-0-00	1	guidafilo	thread guide	guide-fil		
20	207563-0-00	1	vite	screw	vis		
21	727021-0-00	1	vite	screw	vis		
22	778206-0-00	1	stoppino	wick	mèche		
23	309749-0-00	1	spina	pin	goupille		
24	207521-2-10	1	morsetto porta aghi	needles clamp	porte-aiguilles		
25	203416-0-10	1	chiavetta	key	clavette		
26	203415-0-10	1	fascetta	clamp	bride		
27	745501-0-00	1	vite	screw	vis		
28	780212-0-40	1	targhetta classe testa	head class plate	plaque classe tête		
29	202165-0-10	2	vite	screw	vis		
30	202194-0-10	1	piastrina	plate	plaque		
31	990694-0-00	1	salvadita	protection	protection		
			SOLO A RICHIESTA	ONLY ON REQUEST	SEULEMENT SUR DEMANDE		
5	202142-0-10	1	coltello superiore	upper knife	couteau supérieur		
	202143-0-10	1	coltello superiore	upper knife	couteau supérieur		
	207008-2-00	1	coltello superiore	upper knife	couteau supérieur		
6	202146-0-10	1	coltello inferiore	lower knife	couteau inférieur		
15	203435-0-10	1	placca ago larg. costa 3 mm	needle plate width bight 3 mm	plaque à aiguille largeur surjet 3 mm		
	203436-0-11	1	placca ago larg. costa 2,5 mm	needle plate width bight 2,5 mm	plaque à aiguille largeur surjet 2,5 mm		
17	203498-0-10	1	griffa sussidiaria	subsidiary feed dog	griffe subsidiaire		
18	203497-0-10	1	griffa principale	main feed dog	griffe principale		

Fig. N. Abb. N.	Part. N. Piece N. Bestell N. Pieza N.	Qt. Anzahl	DESCRIZIONE	DESCRIPTION	DESCRIPTION	BENENNUNG	DESCRIPCION
▲ 4	<u>Tav. 4</u> 206705-4-01	1	albero princ. con cuscinetti	main shaft with bearing	arbre princ. avec coussinet		
	206702-2-01	1	albero principale	main shaft	arbre principal		
23 40	<u>Tav. 7</u> 765400-6-60	2	ago RIM 27 FMB fin. 60	needle RIM 27 FMB size 60	aiguille RIM 27 FMB jauge 60		
	206540-2-00	1	manovella alb. sup. con vite	con-rod with screw	bras arbre sup. avec vis		
⚙ 43 48 49	<u>Tav. 8</u> 208135-4-00	1	gruppo supporto premistoffa	presser support assembly	groupe support pied-presseur		
	203142-0-10	1	molla	spring	ressort		
	203380-0-10	1	squadretta	bracket	équerre		
	721443-2-00	1	vite	screw	vis		
	<u>Tav. 3</u>		PEZZI ANNULLATI	CANCELLED PARTS	PIECES ANNULEES		
	<u>Tav. 6</u>		ANNULLATA	CANCELLED	ANNULEES		
	<u>Tav. 6</u>		ANNULLATA	CANCELLED	ANNULEES		
40 45 46 47	<u>Tav. 8</u> 206882-0-00	1	distanziale	spacer	entretoise		
	206771-0-12	1	squadretta fermo piedino	bracket	équerre		
	704004-0-00	1	rondella	washer	rondelle		
	741658-2-00	1	vite	screw	vis		

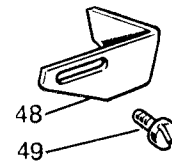
TAV. 8

Fig. N. Abb. N.	Part. N. Bestell N. Piese N. Pieza N.	Qt. Anzahl	DESCRIZIONE	DESCRIPTION	DESCRIPTION	BENENNUNG	DESCRIPCION
▲ 4	<u>Tav. 4</u> 206705-4-01 206702-2-01	1 1	albero princ. con cuscinetti albero principale	main shaft with bearing main shaft	arbre princ. avec coussinet arbre principal		
23 40	<u>Tav. 7</u> 765400-6-80 206540-2-00	2 1	ago RIM 27 FMB fin, 80 manovella alb. sup. con vite	needle RIM 27 FMB size 80 con-rod with screw	aiguille RIM 27 FMB jauge 80 bras arbre sup. avec vis		
● 43	<u>Tav. 8</u> 208135-4-00 203142-0-10	1 1	gruppo supporto premistoffa molla	presser support assembly spring	groupe support pied-presseur ressort		
	<u>Tav. 3</u>		ANNULLATA	CANCELLED	ANNULEE		
	<u>Tav. 6</u>		ANNULLATA	CANCELLED	ANNULEE		
	<u>Tav. 8</u>		PEZZI ANNULLATI	CANCELLED PARTS	PIECES ANNULEE		
40	206882-0-00	1	distanziale	spacer	entretoise		
45	206771-0-12	1	squadretta fermo piedino	bracket	équerre		
46	704004-0-00	1	rondella	washer	rondelle		
47	741658-2-00	1	vite	screw	vis		

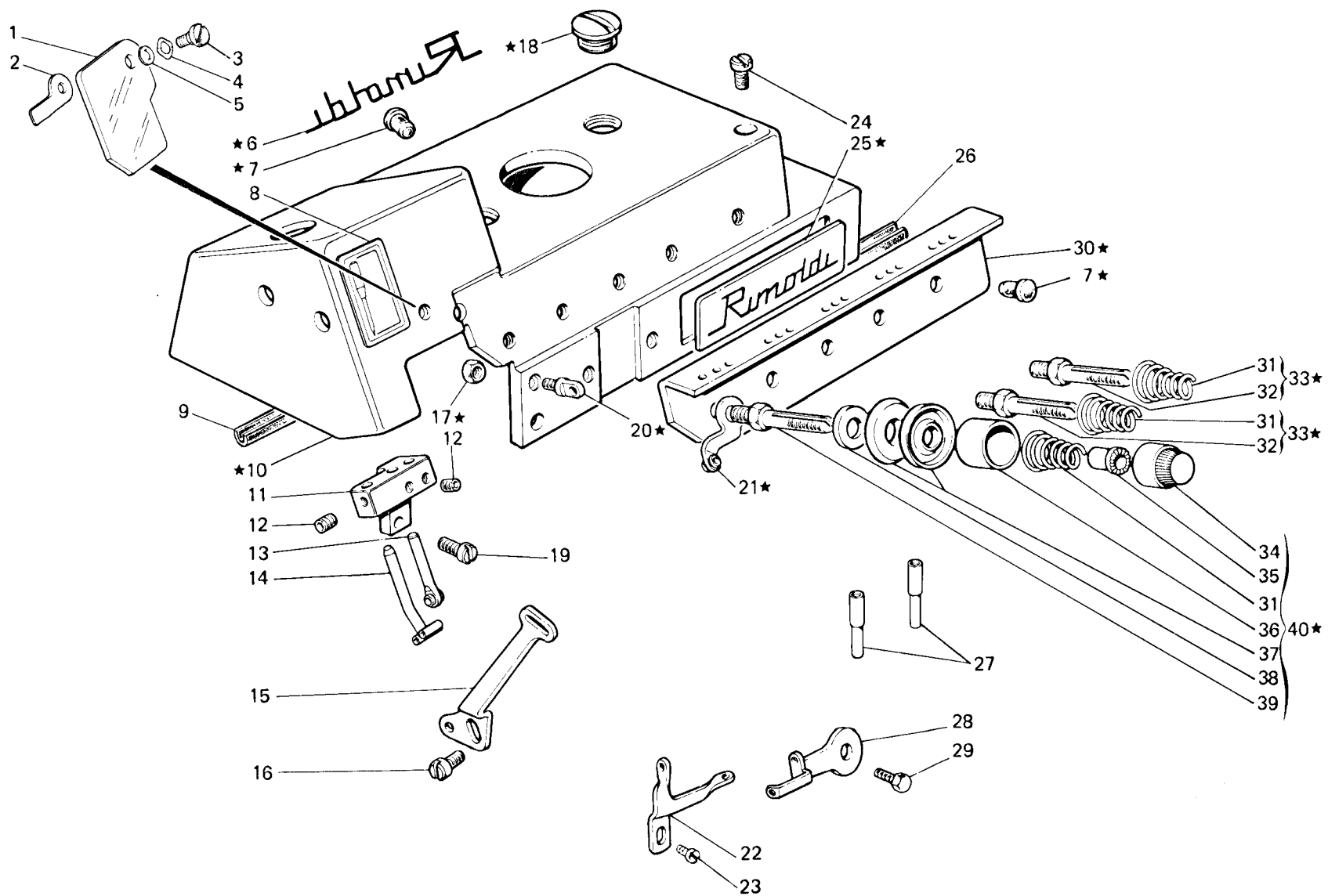


Fig. N. Abb. N.	Part. N. Piece N. Bestell N. Pieza N.	Qt. Anzahl	DESCRIZIONE	DESCRIPTION	DESCRIPTION	BENENNUNG	DESCRIPTION
★	208104-4-00	1	coperchio superiore completo	upper cover assembly	couvercle supérieur complet		
1	208221-0-00	1	piastrina protezione	plate	plaquette		
2	208222-0-00	1	piastrina	plate	plaquette		
3	208224-0-00	1	vite	screw	vis		
4	208220-0-00	1	anello elastico	spring ring	anneau ressort		
5	704630-0-00	1	rondella	washer	rondelle		
6	100305-0-10	1	decalcomania	decalcomania	décalcomanie		
7	207893-0-00	4	tappo	plug	bouchon		
8	788002-0-01	1	decalcomania sist. aghi	needles syst. decalcomania	décalcomanie syst. aiguilles		
9	208091-0-00	1	guarnizione	gasket	garniture		
10	207910-0-00	1	coperchio superiore	upper cover	couvercle supérieur		
11	207916-0-00	1	supporto passafili aghi	needles thread guide support	support passe-fil aiguilles		
12	745800-2-00	2	vite	screw	vis		
13	208184-2-00	1	passafilo	thread guide	passe-fil		
14	203647-2-13	1	passafilo	thread guide	passe-fil		
15	207870-0-00	1	tendifilo	thread take-up	tendeur du fil		
16	741558-0-00	2	vite	screw	vis		
17	733503-0-00	3	dado	nut	écrou		
18	207968-0-00	2	tappo	plug	bouchon		
19	741956-2-00	2	vite	screw	vis		
20	206711-0-00	3	passafilo	thread guide	passe-fil		
21	206713-2-00	1	passafilo	thread guide	passe-fil		
22	202280-0-10	1	tendifilo crochet sup.	thread take-up	tendeur du fil		
23	741657-0-00	1	vite	screw	vis		
24	721484-2-00	3	vite fissa coperchio sup.	screw	vis		
25	207918-0-00	1	targhetta	plate	plaque		
26	208090-0-00	1	guarnizione	gasket	garniture		
27	206740-0-00	2	tubetto passafilo	thread guide pipe	tube passe-fil		
28	202283-0-10	1	tendifilo crochet inf.	thread take-up	tendeur du fil		
29	720431-2-00	1	vite	screw	vis		
30	207919-0-00	1	piastra passafili	plate	plaque		
31	202681-0-10	3	molla	spring	ressort		
32	206747-0-01	2	perno	pin	pivot		
33	206343-4-00	2	tensione completa	tension assembly	tension complète		
34	202558-2-01	3	pomolo	knob	pommeau		
35	202229-0-10	3	bussola	bush	bage		
36	202556-0-01	3	scodellino	cup	cuvette		
37	300218-0-10	6	disco tensione	tension disc	disque tension		
38	206754-0-00	3	rondella	washer	rondelle		
39	208169-0-00	1	perno	pin	pivot		
40	208171-4-00	1	tensione completa	tension assembly	tension complète		
			SOLO A RICHIESTA	ONLY ON REQUEST	SEULEMENT SUR DEMANDE		
-	208311-4-00	1	gruppo passafili	thread guide assembly	groupe passe-fil		
13	208179-2-00	1	passafilo	thread guide	passe-fil		
14	208197-3-00	1	passafilo	thread guide	passe-fil		
17	733503-0-00	3	dado	nut	écrou		
20	208204-2-00	3	passafilo	thread guide	passe-fil		
21	208185-2-00	1	passafilo	thread guide	passe-fil		

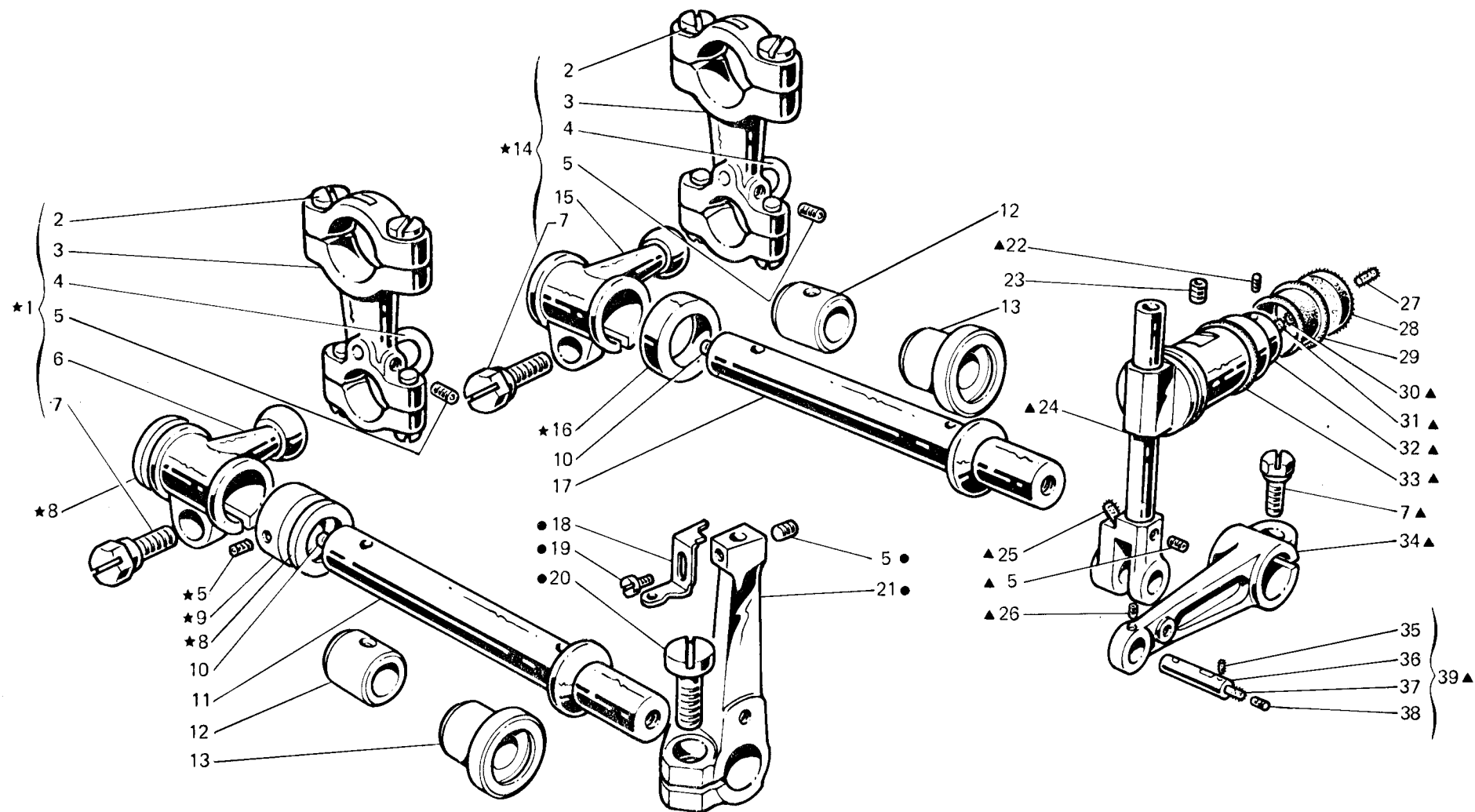


Fig. N. Abb. N.	Part. N. Piece N. Bestell N. Pieza N.	Qt. Anzahl	DESCRIZIONE	DESCRIPTION	DESCRIPTION	BENENNUNG	DESCRIPCION
★	206396-4-01	1	gruppo manicotti com. crochet	looper control coupling assembly	groupe manchon comm. crochet		
▲	206416-4-00	1	gruppo comando crochet sup.	upper looper control assembly	groupe commande crochet sup.		
●	208039-4-00	1	gruppo porta crochet inferiore	lower looper assembly	groupe porte crochet inférieur		
1	206454-4-01	1	gruppo manicotto con biella	coupling assembly with con-rod	groupe manchon avec bielle		
2	743243-2-00	8	vite per biella	screw	vis		
3	202071-2-20	1	biella con viti	con-rod with screw	bielle avec vis		
4	206643-0-01	2	cavallotto	coupling	cavalier		
5	745812-2-00	6	vite	screw	vis		
6	206660-2-02	1	manicotto	coupling	manchon		
7	201128-0-10	3	vite	screw	vis		
8	704848-0-00	2	rondella	washer	rondelle		
9	206606-2-00	1	anello con viti	ring	bague		
10	206695-0-00	2	tappo per albero	plug for shaft	bouchon pour arbre		
11	207096-2-00	1	albero crochet inferiore	shaft lower looper	arbre crochet inférieur		
12	206651-0-00	2	bussola	bush	bague		
13	202065-0-20	2	bussola	bush	bague		
14	206452-4-00	1	gruppo manicotto con biella	coupling with con-rod	groupe manchon avec bielle		
15	206658-2-02	1	manicotto	coupling	manchon		
16	704847-0-00	1	rondella	washer	rondelle		
17	207095-2-00	1	albero crochet superiore	upper looper shaft	arbre crochet supérieur		
18	208015-0-00	1	squadretta	bracket	équerre		
19	741415-0-00	1	vite	screw	vis		
20	721883-0-00	1	vite	screw	vis		
21	206654-2-10	1	porta crochet inf.	lower looper holder	porte crochet inférieur		
22	745800-2-00	1	vite	screw	vis		
23	745168-0-00	1	vite	screw	vis		
24	206411-3-00	1	guida oscillante	oscillating guide	guide oscillant		
25	778403-0-00	1	stoppino	wick	mèche		
26	745810-2-00	1	vite	screw	vis		
27	778236-0-00	1	stoppino	wick	mèche		
28	206686-0-00	1	disco lubrificazione guida	disc	disque		
29	202720-0-00	1	paraolio	oil retainer	pare-huile		
30	778405-0-00	1	stoppino	wick	mèche		
31	778410-0-00	1	stoppino	wick	mèche		
32	202062-2-10	1	anello con vite	ring with screw	anneau avec vis		
33	701113-0-00	1	anello di tenuta	circlip	circlip		
34	206652-2-01	1	braccio	arm	bras		
35	778202-0-00	4	stoppino	wick	mèche		
36	202086-0-11	1	spina	pin	goupille		
37	778401-0-00	1	stoppino	wick	mèche		
38	745002-0-00	1	vite	screw	vis		
39	206645-4-01	1	spina completa	pin assembly	goupille compl.		

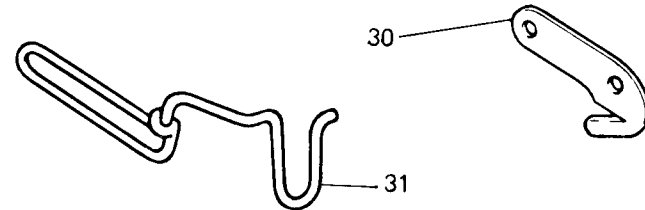
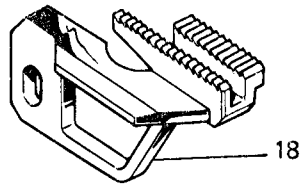
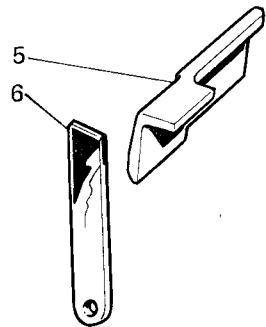
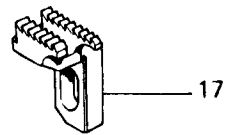
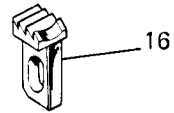
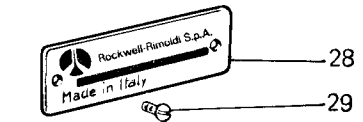
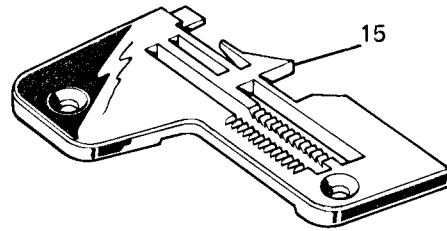
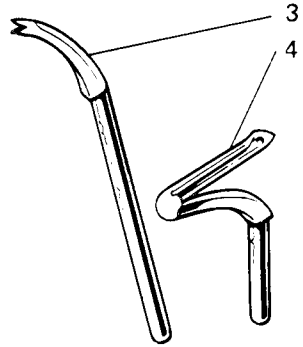
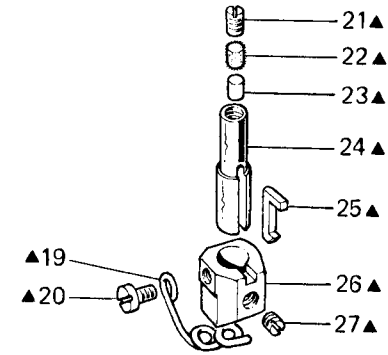
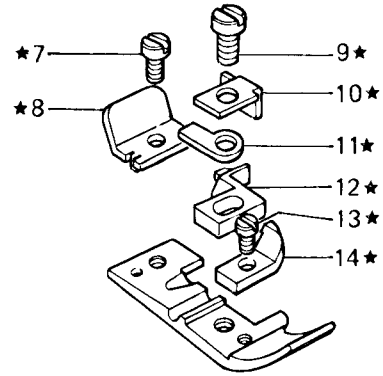
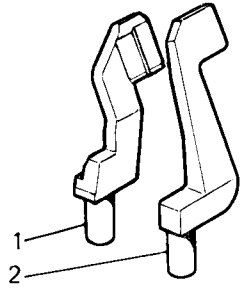


Fig. N. Abb. N.	Part. N. Bestell N. Piece N. Pieza N.	Qt. Anzahl	DESCRIZIONE	DESCRIPTION	DESCRIPTION	BENENNUNG	DESCRIPCION
★	203447-3-11	1	pedino completo	presserfoot assembly	pied-presseur complet		
▲	207511-4-10	1	morsetto porta aghi completo	needles clamp assembly	porte-aiguilles complet		
1	207992-0-00	1	salva ago	rear needle guard	protège-aiguille		
2	207995-0-00	1	spingi asola	front needle guard	pare-boucle		
3	202092-0-11	1	crochet superiore cieco	upper blind looper	crochet supérieur aveugle		
4	202413-0-11	1	crochet inferiore	lower looper	crochet inférieur		
5	207000-2-00	1	coltello superiore	upper knife	couteau supérieur		
6	207015-2-00	1	coltello inferiore	lower knife	couteau inférieur		
7	741413-2-00	1	vite	screw	vis		
8	202192-0-10	1	piastrina	plate	plaque		
9	741675-2-00	1	vite	screw	vis		
10	203483-0-11	1	piastrina	plate	plaque		
11	202201-0-11	1	staffa	bracket	bride		
12	203453-0-11	1	linguetta	tongue	languette		
13	741431-2-00	1	vite	screw	vis		
14	202184-0-11	1	blocchetto	block	bloc		
15	203478-0-11	1	placca ago larg. costa 3 mm	needle plate width bight 3 mm	plaque à aiguille largeur surjet 3 mm		
16	203003-0-10	1	griffino	feed dog	petite griffe		
17	203425-0-10	1	griffa sussidiaria	subsidiary feed dog	griffe subsidiaire		
18	203421-0-10	1	griffa principale	main feed dog	griffe principale		
19	207541-0-00	1	guidafilo	thread guide	guide-fil		
20	207563-0-00	1	vite	screw	vis		
21	727021-0-00	1	vite	screw	vis		
22	778206-0-00	1	stoppino	wick	mèche		
23	309749-0-00	1	spina	pin	goupille		
24	207521-2-10	1	morsetto porta aghi	needles clamp	porte-aiguilles		
25	203416-0-10	1	chiavetta	key	clavette		
26	203415-0-20	1	fascetta	clamp	bride		
27	745501-0-00	1	vite	screw	vis		
28	780200-0-40	1	targhetta classe testa	head class plate	plaque classe tête		
29	202165-0-10	2	vite	screw	vis		
30	202194-0-10	1	piastrina	plate	plaque		
31	990694-0-00	1	salvadita	protection	protection		
			SOLO A RICHIESTA	ONLY ON REQUEST	SEULEMENT SUR DEMANDE		
5	202142-0-10	2	coltello superiore	upper knife	couteau supérieur		
	202143-0-10	2	coltello superiore	upper knife	couteau supérieur		
	207008-2-00	1	coltello superiore	upper knife	couteau supérieur		
6	202146-0-10	2	coltello inferiore	lower knife	couteau inférieur		
15	203439-0-11	1	placca ago larg. costa 4,5 mm	needle plate width bight 4,5 mm	plaque à aiguille largeur surjet 4,5 mm		
	203475-0-11	1	placca ago larg. costa 3,5 mm	needle plate width bight 3,5 mm	plaque à aiguille largeur surjet 3,5 mm		
	203482-2-10	1	placca ago larg. costa 3,1 mm	needle plate width bight 3,1 mm	plaque à aiguille largeur surjet 3,1 mm		
17	207049-0-00	1	griffa sussidiaria	subsidiary feed dog	griffe subsidiaire		
18	207048-0-00	1	griffa principale	main feed dog	griffe principale		

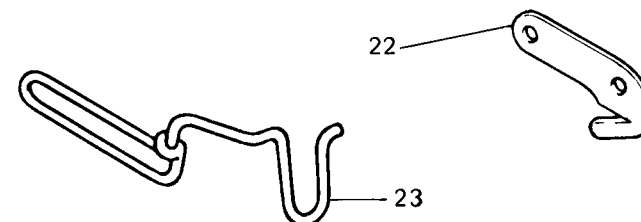
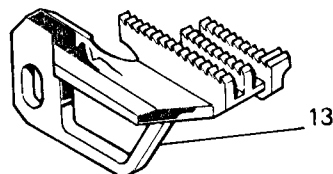
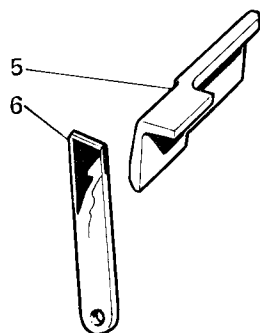
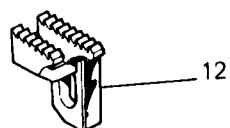
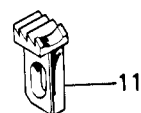
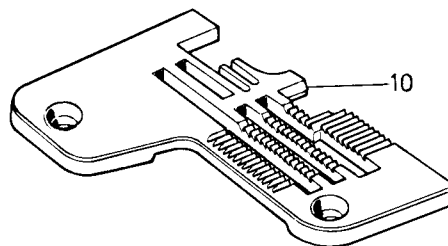
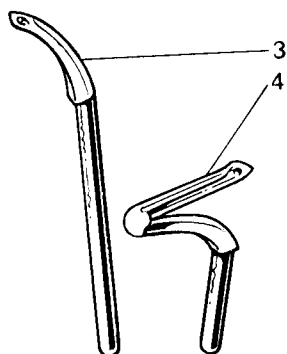
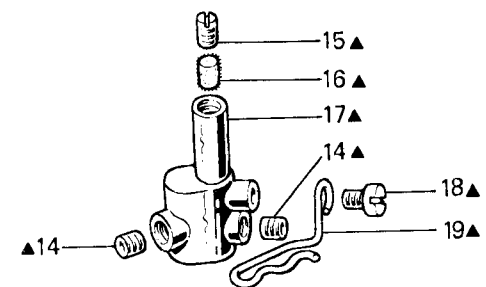
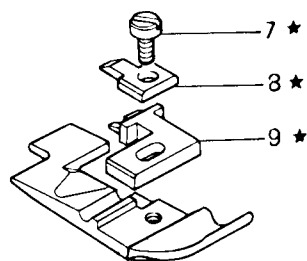
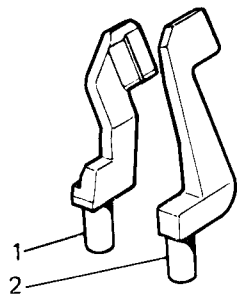


Fig. N. Abb. N.	Part. N. Piece N. Bestell N. Pieza N.	Qt. Anzahl	DESCRIZIONE	DESCRIPTION	DESCRIPTION	BENENNUNG	DESCRIPCION
★	204037-3-11	1	piedino completo	presserfoot assembly	pied-presseur complet		
▲	207512-4-00	1	morsetto porta aghi completo	needles clamp assembly	porte-aiguilles complet		
1	207994-0-00	1	salva ago	rear needle guard	protège-aiguille		
2	207997-0-00	1	spingi asola	front needle guard	pare-boucle		
3	206208-0-00	1	crochet superiore	upper looper	crochet supérieur		
4	202094-0-11	1	crochet inferiore	lower looper	crochet inférieur		
5	202142-0-10	2	coltello superiore	upper knife	couteau supérieur		
6	202146-0-10	2	coltello inferiore	lower knife	couteau inférieur		
7	741675-2-00	1	vite	screw	vis		
8	203772-0-11	1	staffa	bracket	bride		
9	203569-0-11	1	linguetta	tongue	languette		
10	203551-0-11	1	placca ago larg. costa 5 mm	needle plate width bight 5 mm	plaque à aiguille largeur surjet 5 mm		
11	203612-0-10	1	griffino	feed dog	petite griffe		
12	203540-0-10	1	griffa sussidiaria	subsidiary feed dog	griffe subsidiaire		
13	203533-0-10	1	griffa principale	main feed dog	griffe principale		
14	745810-2-00	2	vite	screw	vis		
15	727021-0-00	1	vite	screw	vis		
16	778206-0-00	1	stoppino	wick	mèche		
17	207522-2-00	1	morsetto porta aghi	needles clamp	porte-aiguilles		
18	741415-2-00	1	vite	screw	vis		
19	207542-0-00	1	guidafilo	thread guide	guide-fil		
20	780215-0-40	1	targhetta classe testa	head class plate	plaque classe tête		
21	202165-0-10	2	vite	screw	vis		
22	202194-0-10	1	piastrina	plate	plaque		
23	990694-0-00	1	salvadita	protection	protection		
			SOLO A RICHIESTA	ONLY ON REQUEST	SEULEMENT SUR DEMANDE		
4	202095-0-11	1	crochet inferiore	lower looper	crochet inférieur		
5	202143-0-10	2	coltello superiore	upper knife	couteau supérieur		
	207000-2-00	1	coltello superiore	upper knife	couteau supérieur		
	207003-2-00	1	coltello superiore	upper knife	couteau supérieur		
6	207015-2-00	1	coltello inferiore	lower knife	couteau inférieur		
10	203579-0-11	1	placca ago larg. costa 5,2 mm	needle plate width bight 5,2 mm	plaque à aiguille largeur surjet 5,2 mm		
	203695-0-01	1	placca ago larg. costa 7 mm	needle plate width bight 7 mm	plaque à aiguille largeur surjet 7 mm		
12	203609-0-10	1	griffa sussidiaria	subsidiary feed dog	griffe subsidiaire		
13	203668-0-11	1	griffa principale	main feed dog	griffe principale		

Fig. N. Abb. N.	Part. N. Piece N. Bestell N. Pieza N.	Qt. Anzahl	DESCRIZIONE	DESCRIPTION	DESCRIPTION	BENENNUNG	DESCRIPCION
▲	<u>Tav. 4</u> 206705-4-01	1	albero princ. con cuscinetti	main shaft with bearing	arbre princ. avec coussinet		
4	206702-2-01	1	albero principale	main shaft	arbre principal		
★	<u>Tav. 6</u> 206392-4-00	1	gruppo manicotti com. crochet	control looper assembly	groupe manchon comm. crochet		
11	206452-4-00	1	gruppo manicotto con biella	coupling ass. with con-rod	groupe manchon avec bielle		
12	206658-2-02	1	manicotto	coupling	manchon		
13	704845-0-00	1	rondella	washer	rondelle		
	<u>Tav. 7</u> 765200-6-80	2	ago RIM 27 fin. 80	needle RIM 27 size 80	aiguille RIM 27 jauge 80		
♣	<u>Tav. 8</u> 208135-4-00	1	gruppo supporto premistoffa	presser support assembly	groupe support pied-presseur		
43	203142-0-10	1	molla	spring	ressort		
	<u>Tav. 8</u> 206882-0-00	1	PEZZI ANNULLATI distanziale	CANCELLED PARTS spacer	PIECES ANNULEES entretoise		

Fig. N. Abb. N.	Part. N. Bestell N. Piece N. Pieza N.	Ct. Anzahl	DESCRIZIONE	DESCRIPTION	DESCRIPTION	BENENNUNG	DESCRIPCION
	<u>Tav. 4</u>						
▲	206705-4-01	1	albero princ. con cuscinetti	main shaft with bearing	arbre princ. avec coussinet		
4	206702-2-01	1	albero principale	main shaft	arbre principal		
	<u>Tav. 6</u>						
★	206392-4-00	1	gruppo manicotti com. crochet	control looper assembly	groupe manchon comm. crochet		
11	206452-4-00	1	gruppo manicotto con biella	coupling ass. with con-rod	groupe manchon avec bielle		
12	206658-2-02	1	manicotto	coupling	manchon		
13	704845-0-00	1	rondella	washer	rondelle		
	<u>Tav. 7</u>						
23	765200-6-80	2	ago RIM 27 fin. 80	needle RIM 27 size 80	aiguille RIM 27 jauge 80		
	<u>Tav. 8</u>						
♣	208135-4-00	1	gruppo supporto premistoffa	presser support assembly	groupe support pied-presseur		
43	203142-0-10	1	molla	spring	ressort		
	<u>Tav. 8</u>						
40	206882-0-00	1	PEZZI ANNULLATI distanziale	CANCELLED PARTS spacer	PIECES ANNULEES entretoise		

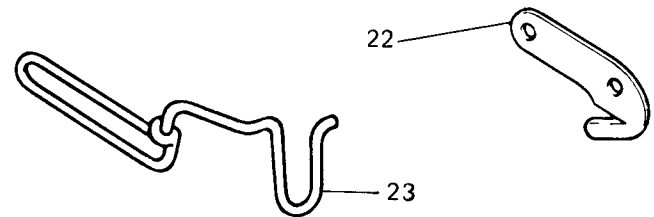
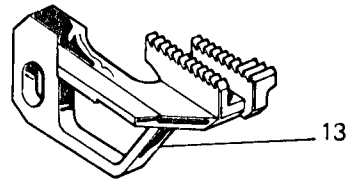
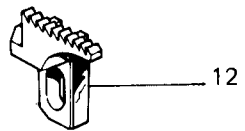
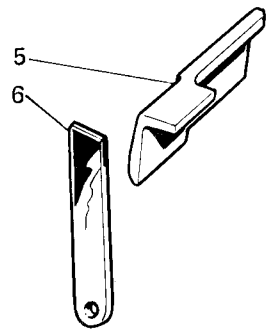
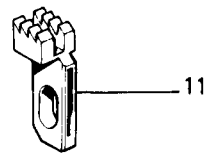
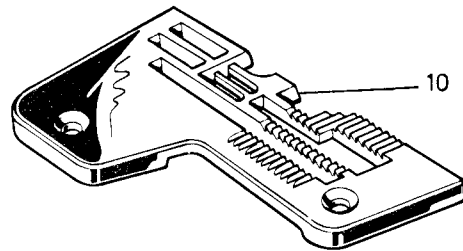
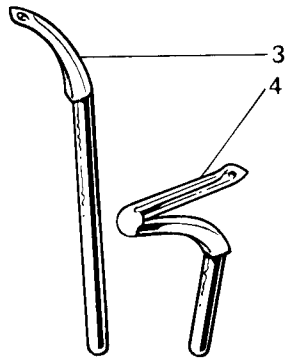
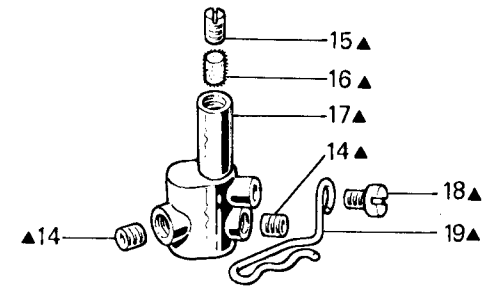
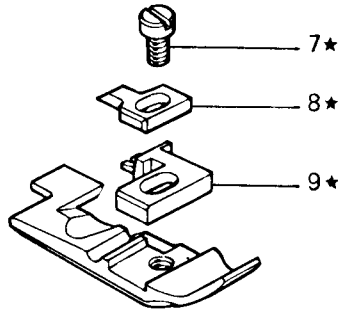
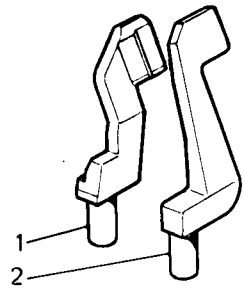


Fig. N. Abb. N.	Part. N. Bestell N. Piece N. Pieza N.	Qt. Anzahl	DESCRIZIONE	DESCRIPTION	DESCRIPTION	BENENNUNG	DESCRIPCION
★	203597-3-11	1	piedino completo	presserfoot assembly			
▲	207512-4-00	1	morsetto porta aghi completo	needles clamp assembly			
1	207994-0-00	1	salva ago	rear needle guard			
2	207997-0-00	1	spingi asola	front needle guard			
3	206208-0-00	1	crochet superiore	upper looper			
4	202094-0-11	1	crochet inferiore	lower looper			
5	202142-0-10	2	coltello superiore	upper knife			
6	202146-0-10	2	coltello inferiore	lower knife			
7	741675-2-00	1	vite	screw			
8	203772-0-11	1	staffa	bracket			
9	203569-0-11	1	linguetta	tongue			
10	203552-0-11	1	placca ago larg. costa 5 mm	needle plate width bight 5 mm			
11	203544-0-11	1	griffino	feed dog			
12	203542-0-10	1	griffa sussidiaria	subsidiary feed dog			
13	203536-0-10	1	griffa principale	main feed dog			
14	745810-2-00	2	vite	screw			
15	727021-0-00	1	vite	screw			
16	778206-0-00	1	stoppino	wick			
17	207522-2-00	1	morsetto porta aghi	needles clamp			
18	741415-2-00	1	vite	screw			
19	207542-0-00	1	guidafilo	thread guide			
20	780200-0-40	1	targhetta classe testa	head class plate			
21	202165-0-10	2	vite	screw			
22	202194-0-10	1	piastrina	plate			
23	990694-0-00	1	salvadita	protection			
			SOLO A RICHIESTA	ONLY ON REQUEST			
5	202143-0-10	2	coltello superiore	upper knife			
	207000-2-00	1	coltello superiore	upper knife			
	207008-2-00	1	coltello superiore	upper knife			
6	207015-2-00	1	coltello inferiore	lower knife			
10	203580-0-11	1	placca ago larg. costa 5,2 mm	needle plate width bight 5,2 mm			
	203583-0-11	1	placca ago larg. costa 6 mm	needle plate width bight 6 mm			

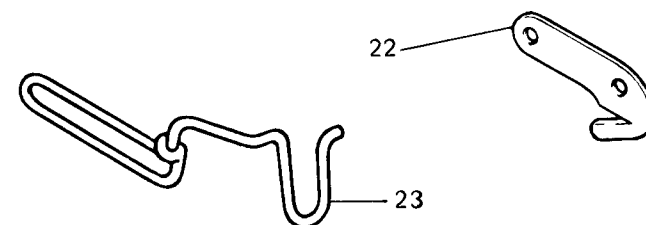
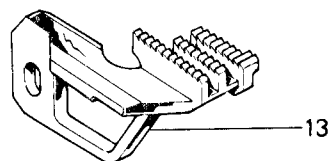
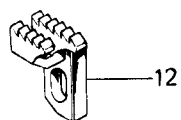
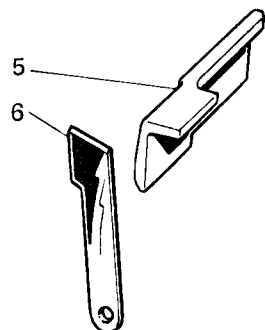
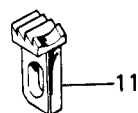
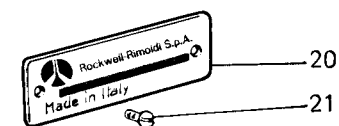
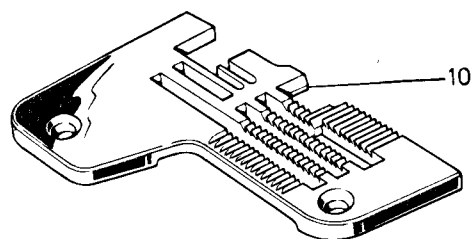
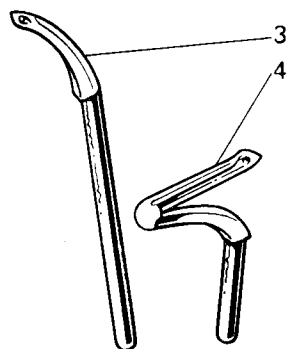
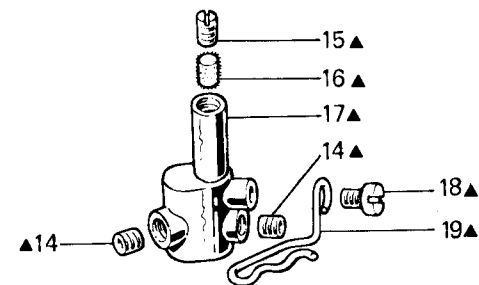
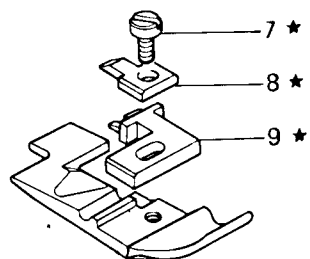
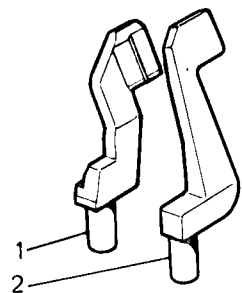


Fig. N. Abb. N.	Part. N. Piece N. Bestell N. Pieza N.	Qt. Anzahl	DESCRIZIONE	DESCRIPTION	DESCRIPTION	BENENNUNG	DESCRIPCION
★	204037-3-11	1	piedino completo	presserfoot assembly	pied-presseur complet		
▲	207512-4-00	1	morsetto porta aghi completo	needles clamp assembly	porte-aiguilles complet		
1	207994-0-00	1	salva ago	rear needle guard	protège-aiguille		
2	207997-0-00	1	spingi asola	front needle guard	pare-boucle		
3	206209-0-00	1	crochet superiore	upper looper	crochet supérieur		
4	202095-0-11	1	crochet inferiore	lower looper	crochet inférieur		
5	203010-0-10	2	coltello superiore	upper knife	couteau supérieur		
6	203012-0-10	1	coltello inferiore	lower knife	couteau inférieur		
7	741675-2-00	1	vite	screw	vis		
8	203772-0-11	1	staffa	bracket	bride		
9	203569-0-11	1	linguetta	tongue	languette		
10	204026-0-11	1	placca ago larg. costa 7 mm	needle plate width bight 7 mm	plaque à aiguille larg. surjet 7 mm		
11	203612-0-10	1	griffino	feed dog	petite griffe		
12	203609-0-10	1	griffa sussidiaria	subsidiary feed dog	griffe subsidiaire		
13	206298-0-00	1	griffa principale	main feed dog	griffe principale		
14	745810-2-00	2	vite	screw	vis		
15	727021-0-00	1	vite	screw	vis		
16	778206-0-00	1	stoppino	wick	mèche		
17	207522-2-00	1	morsetto porta aghi	needles clamp	porte-aiguilles		
18	741415-2-00	1	vite	screw	vis		
19	207542-0-00	1	guidafilo	thread guide	guide-fil		
20	780217-0-40	1	targhetta classe testa	head class plate	plaque classe tête		
21	202165-0-10	2	vite	screw	vis		
22	202194-0-10	1	piastrina	plate	plaque		
23	990694-0-00	1	salvadita	protection	protection		
			SOLO A RICHIESTA	ONLY ON REQUEST	SEULEMENT SUR DEMANDE		
3	206208-0-00	1	crochet superiore	upper looper	crochet supérieur		
4	202094-0-11	1	crochet inferiore	lower looper	crochet inférieur		
5	207002-2-00	1	coltello superiore	upper knife	couteau supérieur		
6	207016-2-00	1	coltello inferiore	lower knife	couteau inférieur		
10	203547-0-11	1	placca ago larg. costa 8 mm	needle plate width bight 8 mm	plaque à aiguille larg. surjet 8 mm		
	203578-0-11	1	placca ago larg. costa 5,5 mm	needle plate width bight 5,5 mm	plaque à aiguille larg. surjet 5,5 mm		
12	203540-0-10	1	griffa sussidiaria	subsidiary feed dog	griffe subsidiaire		
	203611-2-11	1	griffa sussidiaria	subsidiary feed dog	griffe subsidiaire		
13	203607-2-11	1	griffa principale	main feed dog	griffe principale		
	203651-0-11	1	griffa principale	main feed dog	griffe principale		
27	Tav. 3 203027-0-10	1	tendifilo crochet superiore	thread take-up	tendeur du fil		
28	203133-0-10	1	tendifilo crochet inferiore	thread take-up	tendeur du fil		
41	203136-0-10	1	tendifilo crochet inferiore	thread take-up	tendeur du fil		

Fig. N. Abb. N.	Part. N. Piecce N. Bestell N. Pieza N.	Qt. Anzahl	DESCRIZIONE	DESCRIPTION	DESCRIPTION	BENENNUNG	DESCRIPCION
	<u>Tav. 3</u>						
14	788000-0-01	1	decalcomania sist. aghi	needles syst. decalcomania	décalcomanie syst. aiguilles		
27	203027-0-10	1	tendifilo crochet sup.	thread take-up	tendeur du fil		
28	203133-0-10	1	tendifilo crochet inf.	thread take-up	tendeur du fil		
41	203136-0-10	1	tendifilo crochet inf.	thread take-up	tendeur du fil		
	<u>Tav. 6</u>						
★	206393-4-00	1	gruppo manicotti com. crochet	control looper assembly	groupe manchon comm. crochet		
▲	206417-4-00	1	gruppo comando crochet sup.	upper looper control assembly	groupe comm. crochet inférieur		
11	206452-4-00	1	gruppo manicotto con biella	coupling ass. with con-rod	groupe manchon avec bielle		
12	206658-2-02	1	manicotto	coupling	manchon		
13	704848-0-00	1	rondella	washer	rondelle		
21	206412-3-00	1	guida oscillante	guide	guide		
	<u>Tav. 7</u>						
23	765000-6-90	2	ago RIM 26 fin. 90	needle RIM 26 size 90	aiguille RIM 26 jauge 90		

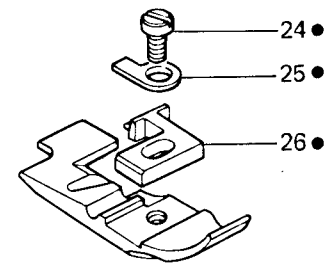
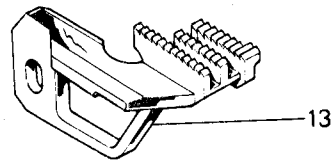
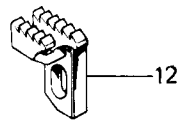
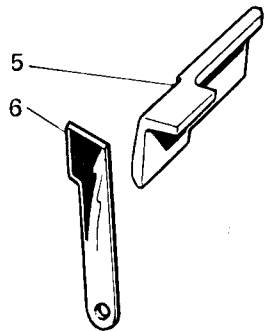
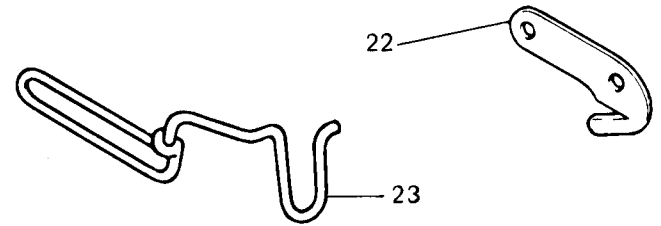
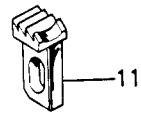
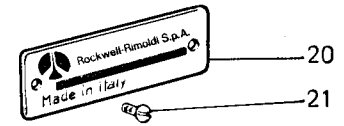
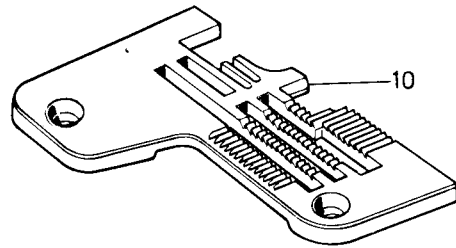
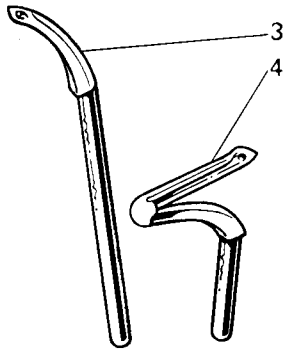
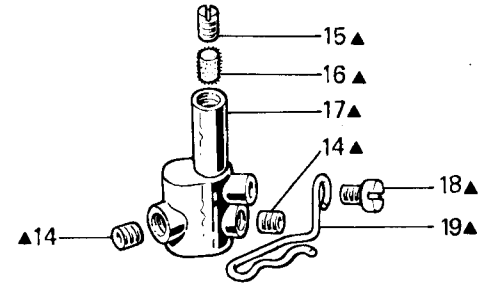
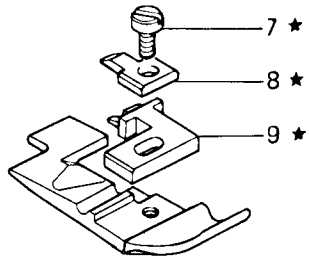
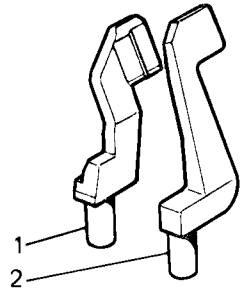


Fig. N. Abb. N.	Part. N. Bestell N. Piece N. Pieza N.	Qt. Anzahl	DESCRIZIONE	DESCRIPTION	DESCRIPTION	BENENNUNG	DESCRIPCION
★	204009-3-12	1	pedino completo	presserfoot assembly	ped-presseur complet		
▲	207513-4-00	1	morsetto porta aghi completo	needles clamp assembly	porte-aiguilles complet		
1	207993-0-00	1	salva ago	rear needle guard	protège-aiguille		
2	207996-0-00	1	spingi asola	front needle guard	pare-boucle		
3	204021-0-10	1	crochet superiore	upper looper	crochet supérieur		
4	202095-0-11	1	crochet inferiore	lower looper	crochet inférieur		
5	203010-0-10	2	coltello superiore	upper knife	couteau supérieur		
6	203012-0-10	1	coltello inferiore	lower knife	couteau inférieur		
7	741675-2-00	1	vite	screw	vis		
8	203772-0-11	1	staffa	bracket	bride		
9	204011-0-11	1	linguetta	tongue	languette		
10	204006-0-11	1	placca ago larg. costa 5,5 mm	needle plate width bight 5,5 mm	plaque à aiguille larg. surjet 5,5 mm		
11	203612-0-10	1	griffino	feed dog	petite griffe		
12	203609-0-10	1	griffa sussidiaria	subsidiary feed dog	griffe subsidiaire		
13	206298-0-00	1	griffa principale	main feed dog	griffe principale		
14	745810-2-00	2	vite	screw	vis		
15	727021-0-00	1	vite	screw	vis		
16	778206-0-00	1	stoppino	wick	mèche		
17	207523-2-00	1	morsetto porta aghi	needles clamp	porte-aiguilles		
18	741415-2-00	1	vite	screw	vis		
19	207542-0-00	1	guidafilo	thread guide	guide-fil		
20	780218-0-40	1	targhetta classe testa	head class plate	plaque classe tête		
21	202165-0-10	2	vite	screw	vis		
22	202194-0-10	1	piastrina	plate	plaque		
23	990694-0-00	1	salvadita	protection	protection		
			SOLO A RICHIESTA	ONLY ON REQUEST	SEULEMENT SUR DEMANDE		
●	204017-3-11	1	pedino completo	presserfoot assembly	ped-presseur complet		
3	204033-0-10	1	crochet superiore	upper looper	crochet supérieur		
4	202094-0-11	1	crochet inferiore	lower looper	crochet inférieur		
5	207002-2-00	1	coltello superiore	upper knife	couteau supérieur		
6	207016-2-00	1	coltello inferiore	lower knife	couteau inférieur		
10	204007-0-11	1	placca ago larg. costa 6,5 mm	needle plate width bight 6,5 mm	plaque à aiguille larg. surjet 6,5 mm		
	204012-0-11	1	placca ago larg. costa 4 mm	needle plate width bight 4 mm	plaque à aiguille larg. surjet 4 mm		
	920691-0-01	1	placca ago larg. costa 6 mm	needle plate width bight 6 mm	plaque à aiguille larg. surjet 6 mm		
12	203540-0-10	1	griffa sussidiaria	subsidiary feed dog	griffe subsidiaire		
	203611-2-11	1	griffa sussidiaria	subsidiary feed dog	griffe subsidiaire		
13	203607-2-11	1	griffa principale	main feed dog	griffe principale		
	203651-0-11	1	griffa principale	main feed dog	griffe principale		
	203668-0-11	1	griffa principale	main feed dog	griffe principale		
24	741665-2-00	1	vite	screw	vis		
25	202201-0-11	1	staffa	bracket	bride		
26	204018-0-11	1	linguetta	tongue	languette		

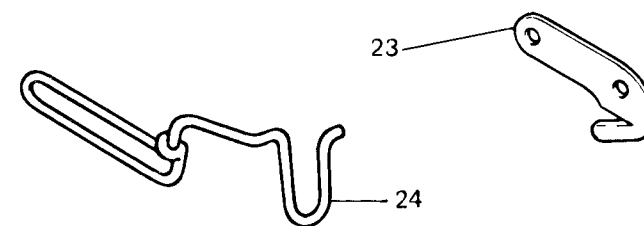
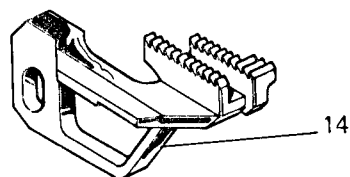
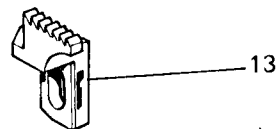
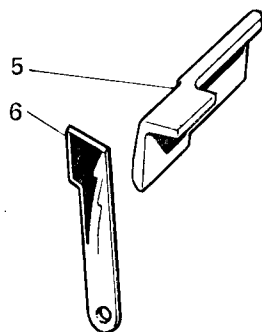
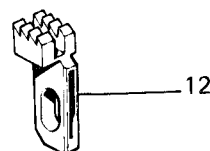
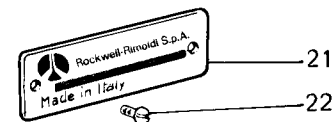
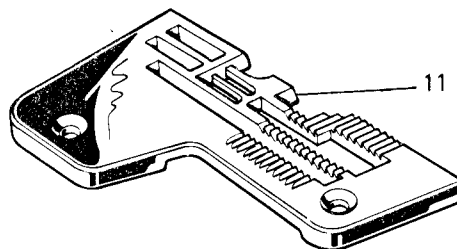
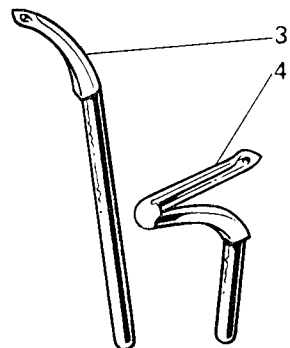
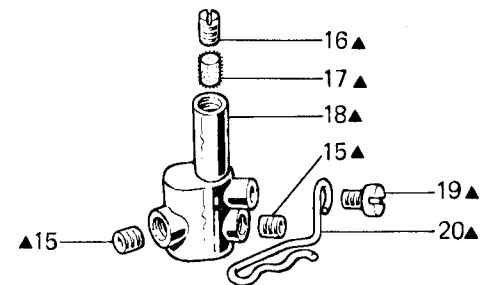
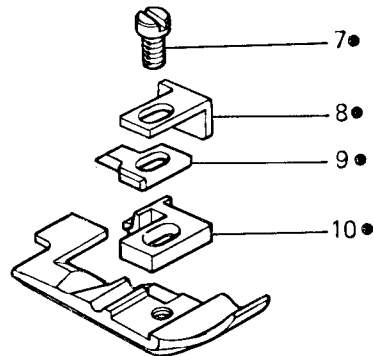
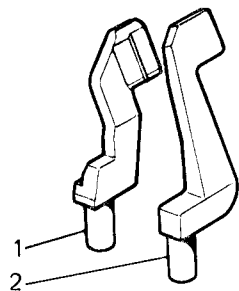


Fig. N. Abb. N.	Part. N. Piece N. Bestell N. Pieza N.	Qt. Anzahl	DESCRIZIONE	DESCRIPTION	DESCRIPTION	BENENNUNG	DESCRIPTION
●	203556-3-11	1	piedino completo	presserfoot assembly	pied-presseur complet		
▲	207512-4-00	1	morsetto porta aghi completo	needles clamp assembly	porte-aiguilles complet		
1	207994-0-00	1	salva ago	rear needle guard	protège-aiguille		
2	207997-0-00	1	spingi asola	front needle guard	pare-boucle		
3	204033-0-10	1	crochet superiore	upper looper	crochet supérieur		
4	202094-0-11	1	crochet inferiore	lower looper	crochet inférieur		
5	207001-2-00	1	coltello superiore	upper knife	couteau supérieur		
6	207016-2-00	1	coltello inferiore	lower knife	couteau inférieur		
7	741685-2-00	1	vite	screw	vis		
8	203768-0-11	1	piastrina	plate	plaque		
9	203772-0-11	1	staffa	bracket	bride		
10	203569-0-11	1	linguetta	tongue	languette		
11	203549-0-11	1	placca ago larg. costa 7 mm	needle plate width bight 7 mm	plaque à aiguille larg. surjet 7 mm		
12	203544-0-10	1	griffino	feed dog	petite griffe		
13	203539-0-10	1	griffa sussidiaria	subsidiary feed dog	griffe subsidiaire		
14	203532-0-10	1	griffa principale	main feed dog	griffe principale		
15	745810-2-00	2	vite	screw	vis		
16	727021-0-00	1	vite	screw	vis		
17	778206-0-00	1	stoppino	wick	mèche		
18	207522-2-00	1	morsetto porta aghi	needles clamp	porte-aiguilles		
19	741415-2-00	1	vite	screw	vis		
20	207542-0-00	1	guidafilo	thread guide	guide-fil		
21	780232-0-40	1	targhetta classe testa	head class plate	plaque classe tête		
22	202165-0-10	2	vite	screw	vis		
23	202194-0-10	1	piastrina	plate	plaque		
24	990694-0-00	1	salvadita	protection	protection		
			SOLO A RICHIESTA	ONLY ON REQUEST	SEULEMENT SUR DEMANDE		
5	202932-0-10	2	coltello superiore	upper knife	couteau supérieur		
6	203012-0-10	2	coltello inferiore	lower knife	couteau inférieur		
11	203548-0-11	1	placca ago larg. costa 7,5 mm	needle plate width bight 7,5 mm	plaque à aiguille larg. surjet 7,5 mm		
	203550-0-11	1	placca ago larg. costa 5,5 mm	needle plate width bight 5,5 mm	plaque à aiguille larg. surjet 5,5 mm		

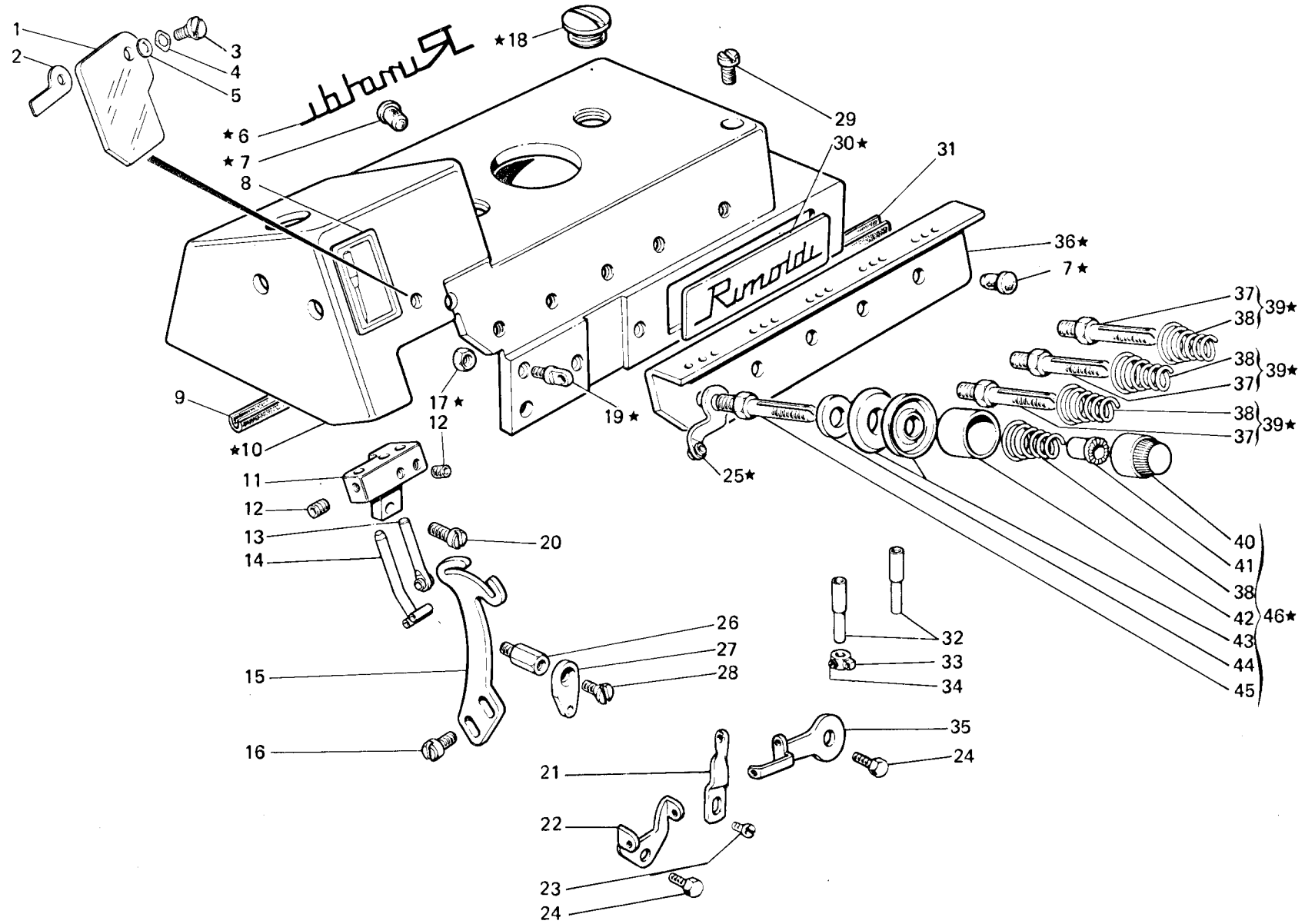


Fig. N. Abb. N.	Part. N. Piece N. Bestell N. Pieza N.	Qt. Anzahl	DESCRIZIONE	DESCRIPTION	DESCRIPTION	BENENNUNG	DESCRIPCION
★	208106-4-00	1	coperchio superiore completo	upper cover assembly	couvercle supérieur complet		
1	208221-0-00	1	piastrina protezione	plate	plaquette		
2	208222-0-00	1	piastrina	plate	plaquette		
3	208224-0-00	1	vite	screw	vis		
4	208220-0-00	1	anello elastico	spring ring	anneau ressort		
5	704630-0-00	1	rondella	washer	rondelle		
6	100305-0-10	1	decalcomania	decalcomania	décalcomanie		
7	207893-0-00	3	tappo	plug	bouchon		
8	788002-0-01	1	decalcomania sist. aghi	needles syst. decalcomania	décalcomanie syst. aiguilles		
9	208091-0-00	1	guarnizione	gasket	garniture		
10	207910-0-00	1	coperchio superiore	upper cover	couvercle supérieur		
11	207916-0-00	1	supporto passafili aghi	needles thread guide support	support passe-fil aiguilles		
12	745800-2-00	2	vite	screw	vis		
13	208184-2-00	1	passafilo	thread guide	passe-fil		
14	203647-2-13	1	passafilo	thread guide	passe-fil		
15	207871-0-00	1	tendifilo	thread take-up	tendeur du fil		
16	741558-0-00	2	vite	screw	vis		
17	733503-0-00	3	dado	nut	écrou		
18	207968-0-00	2	tappo	plug	bouchon		
19	206711-0-00	3	passafilo	thread guide	passe-fil		
20	741956-2-00	2	vite	screw	vis		
21	202280-0-09	1	tendifilo crochet sup.	thread take-up	tendeur du fil		
22	202278-0-10	1	tendifilo crochet inf.	thread take-up	tendeur du fil		
23	741657-0-00	1	vite	screw	vis		
24	720431-2-00	2	vite	screw	vis		
25	206713-2-00	1	passafilo	thread guide	passe-fil		
26	206755-0-00	1	colonnina	column	colonne		
27	206812-0-00	1	passafilo crochet sup.	upper looper thread guide	passe-fil crochet sup.		
28	744631-2-00	1	vite	screw	vis		
29	721484-2-00	3	vite fissa coperchio sup.	screw	vis		
30	207918-0-00	1	targhetta	plate	plaque		
31	208090-0-00	1	guarnizione	gasket	garniture		
32	206740-0-00	2	tubetto passafilo	thread guide pipe	tube passe-fil		
33	203135-2-10	1	passafilo con vite	thread guide with screw	passe-fil avec vis		
34	745002-0-00	1	vite	screw	vis		
35	202283-0-10	1	tendifilo crochet inf.	thread take-up	tendeur du fil		
36	207919-0-00	1	piastra passafili	plate	plaque		
37	206747-0-01	3	perno	pin	pivot		
38	202681-0-10	4	molla	spring	ressort		
39	206343-4-00	3	tensione completa	tension assembly	tension complète		
40	202558-2-01	4	pomolo	knob	pommeau		
41	202229-0-10	4	bussola	bush	bague		
42	202556-0-01	4	scodellino	cup	cuvette		
43	300218-0-10	8	disco tensione	tension disc	disque tension		
44	206754-0-00	4	rondella	washer	rondelle		
45	208169-0-00	1	perno	pin	pivot		
46	208171-4-00	1	tensione completa	tension assembly	tension complète		

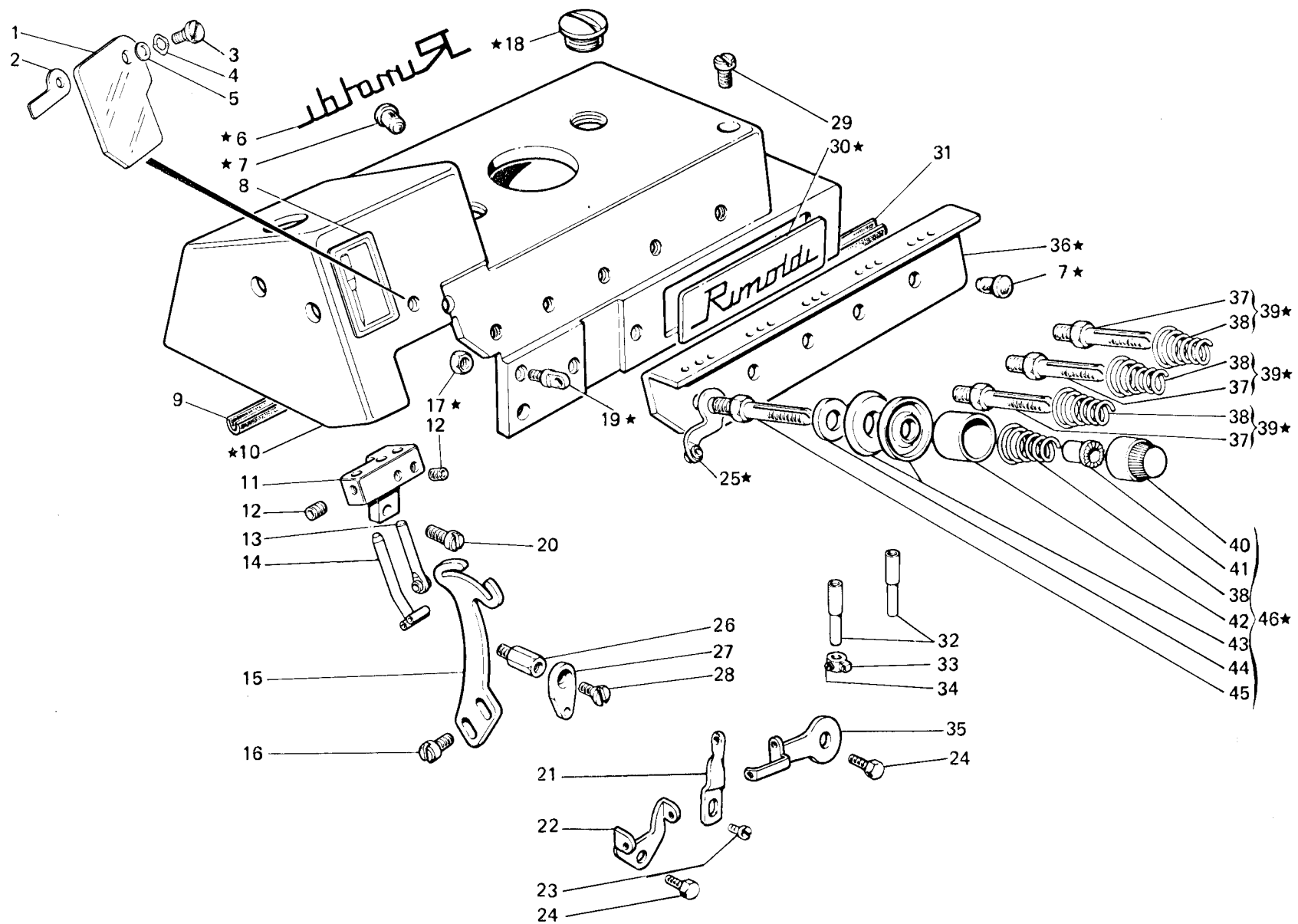


Fig. N. Abb. N.	Part. N. Bestell N. Piece N. Pieza N.	Qt. Anzahl	DESCRIZIONE	DESCRIPTION	DESCRIPTION	BENENNUNG	DESCRIPCION
—	208311-4-00	1	SOLO A RICHIESTA	ONLY ON REQUEST	SEULEMENT SUR DEMANDE		
13	208179-2-00	1	gruppo passafili	thread guide assembly	groupe passe-fil		
14	208197-3-00	1	passafilo	thread guide	passe-fil		
17	733503-0-00	3	passafilo	thread guide	passe-fil		
19	208204-2-00	3	dado	nut	écrou		
25	208185-2-00	1	passafilo	thread guide	passe-fil		
			passafilo	thread guide	passe-fil		

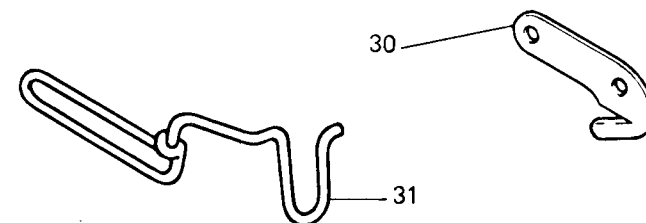
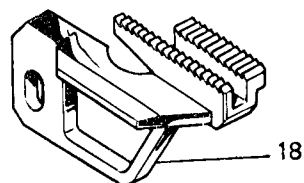
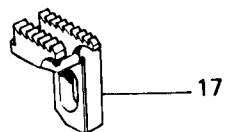
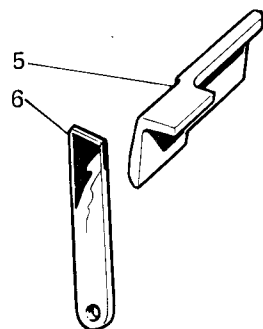
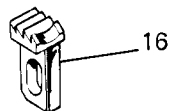
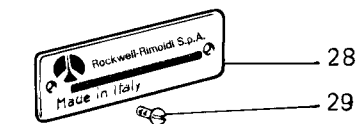
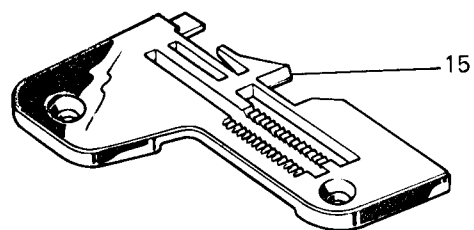
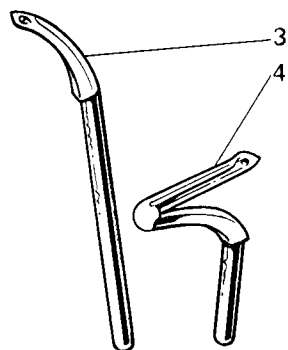
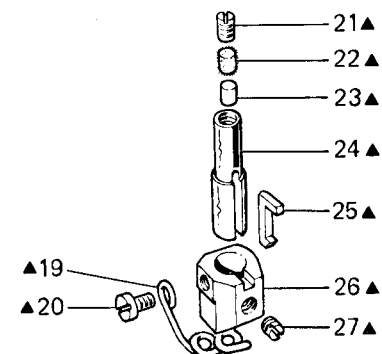
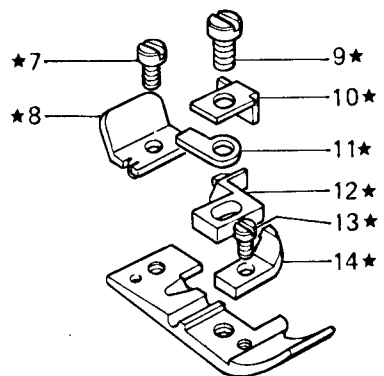
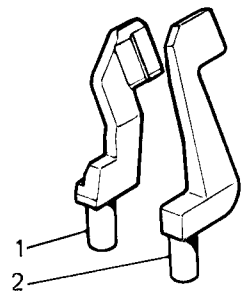


Fig. N. Abb. N.	Part. N. Piece N. Bestell N. Pieza N.	Qt. Anzahl	DESCRIZIONE	DESCRIPTION	DESCRIPTION	BENENNUNG	DESCRIPCION
★	203447-3-11	1	pieдино completo	presserfoot assembly			
▲	207511-4-10	1	morsetto porta aghi completo	needles clamp assembly			
1	207992-0-00	1	salva ago	rear needle guard			
2	207995-0-00	1	spingi asola	front needle guard			
3	204033-0-10	1	crochet superiore	upper looper			
4	202094-0-11	1	crochet inferiore	lower looper			
5	207000-2-00	1	coltello superiore	upper knife			
6	207015-2-00	1	coltello inferiore	lower knife			
7	741413-2-00	1	vite	screw			
8	202192-0-10	1	piastrina	plate			
9	741675-2-00	1	vite	screw			
10	203483-0-11	1	piastrina	plate			
11	202201-0-11	1	staffa	bracket			
12	203453-0-11	1	linguetta	tongue			
13	741431-2-00	1	vite	screw			
14	202184-0-11	1	blocchetto	block			
15	203442-0-11	1	placca ago larg. costa 3,5 mm	needle plate width bight 3,5 mm			
16	203003-0-10	1	griffino	feed dog			
17	203425-0-10	1	griffa sussidiaria	subsidiary feed dog			
18	203421-0-10	1	griffa principale	main feed dog			
19	207541-0-00	1	guidafilo	thread guide			
20	207563-0-00	1	vite	screw			
21	727021-0-00	1	vite	screw			
22	778206-0-00	1	stoppino	wick			
23	309749-0-00	1	spina	pin			
24	207521-2-10	1	morsetto porta aghi	needles clamp			
25	203416-0-10	1	chiavetta	key			
26	203415-0-20	1	fascetta	clamp			
27	745501-0-00	1	vite	screw			
28	780238-0-40	1	targhetta classe testa	head class plate			
29	202165-0-10	2	vite	screw			
30	202194-0-10	1	piastrina	plate			
31	990694-0-00	1	salvadita	protection			
			SOLO A RICHIESTA	ONLY ON REQUEST			SEULEMENT SUR DEMANDE
5	202142-0-10	2	coltello superiore	upper knife			
	202143-0-10	2	coltello superiore	upper knife			
	207008-2-00	1	coltello superiore	upper knife			
6	202146-0-10	2	coltello inferiore	lower knife			
15	205661-0-01	1	placca ago larg. costa 3,5 mm	needle plate width bight 3,5 mm			
	207050-0-01	1	placca ago larg. costa 3,3 mm	needle plate width bight 3,3 mm			
17	203423-2-11	1	griffa sussidiaria	subsidiary feed dog			
	207049-0-00	1	griffa sussidiaria	subsidiary feed dog			
18	203419-2-11	1	griffa principale	main feed dog			
	207048-0-00	1	griffa principale	main feed dog			

Fig. N. Abb. N.	Part. N. Piece N. Bestell N. Pieza N.	Qt. Anzahl	DESCRIZIONE	DESCRIPTION	DESCRIPTION	BENENNUNG	DESCRIPTION
	<u>Tav. 4</u>						
▲ 4	206705-4-01 206702-2-01	1 1	albero principale con cuscinetti albero	main shaft with bearing shaft	arbre princ. avec coussinet arbre		
	<u>Tav. 6</u>						
★ ▲ 1 6 8 11 12 13 21	206386-4-00 206417-4-00 206453-4-00 206659-2-01 704847-0-00 206452-4-00 206658-2-02 704845-0-00 206412-3-00	1 1 1 1 1 1 1 1 1	gruppo manicotti com. crochet gruppo comando crochet sup. gruppo manicotto con biella manicotto rondella gruppo manicotto con biella manicotto rondella guida oscillante	control looper assembly upper looper control assembly coupling assembly with con-rod coupling washer coupling assembly with con-rod coupling washer guide	groupe manchon comm. crochet groupe comm. crochet supérieur groupe manchon avec bielle manchon rondelle groupe manchon avec bielle manchon rondelle guide		
	<u>Tav. 7</u>						
23 40	765400-6-70 206540-2-00	2 1	ago RIM 27 fin. 70 manovella alb. sup. con vite	needle RIM 27 size 70 con-rod with screw	aiguille RIM 27 jauge 70 bras arbre sup. avec vis		
	<u>Tav. 8</u>						
● 43 48 49	208135-4-00 203142-0-10 203380-0-10 721443-2-00	1 1 1 1	gruppo supporto premistoffa molla squadretta vite	presser support assembly spring bracket screw	groupe support pied-presseur ressort équerre vis		
	<u>Tav. 3</u>		ANNULLATA	CANCELLED	ANNULEES		
	<u>Tav. 8</u>		PEZZI ANNULLATI	CANCELLED PARTS	PIECES ANNULEES		
40 45 46 47	206882-0-00 206771-0-12 704004-0-00 741658-2-00	1 1 1 1	distanziale squadretta ferma piedino rondella vite	spacer bracket washer screw	entretoise équerre rondelle vis		

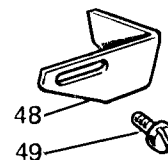
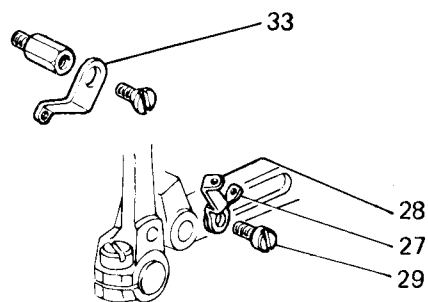
TAV. 8

Fig. N. Abb. N.	Part. N. Bestell N. Piece N. Pieza N.	Qt. Anzahl	DESCRIZIONE	DESCRIPTION	DESCRIPTION	BENENNUNG	DESCRIPCION
	<u>Tav. 3</u>						
27	202281-0-10	1	tendifilo crochet sup.	thread take-up	tendeur du fil		
28	202279-0-10	1	tendifilo crochet inf.	thread take-up	tendeur du fil		
33	204035-0-10	1	passafilo crochet sup.	upper looper passe-fil	passe-fil crochet sup.		
	<u>Tav. 4</u>						
▲	206705-4-01	1	albero princ. con cuscinetti	main shaft with bearing	arbre princ. avec coussinet		
4	206702-2-01	1	albero principale	main shaft	arbre principal		
	<u>Tav. 6</u>						
★	206399-4-00	1	gruppo manicotti com. crochet	control looper assembly	groupe manchon comm. crochet		
▲	206417-4-00	1	gruppo comando crochet sup.	upper looper control ass.	groupe comm. crochet supérieur		
13	704845-0-00	1	rondella	washer	rondelle		
21	206412-3-00	1	guida oscillante	guide	guide		
	<u>Tav. 7</u>						
23	765200-6-80	2	ago RIM 27 fin. 80	needle RIM 27 size 80	aiguille RIM 27 jauge 80		
	<u>Tav. 8</u>						
43	208135-4-00	1	gruppo supporto premistoffa	presser support assembly	groupe support pied-presseur		
	203142-0-10	1	molla	spring	ressort		
			PEZZI ANNULLATI	CANCELLED PARTS	PIECES ANNULEES		
	<u>Tav. 3</u>						
30	720431-2-00	2	vite	screw	vis		
41	202283-0-10	1	tendifilo crochet inferiore	thread take-up	tendeur du fil		
	<u>Tav. 8</u>						
40	206882-0-00	1	distanziale	spacer	entretoise		

TAV. 3

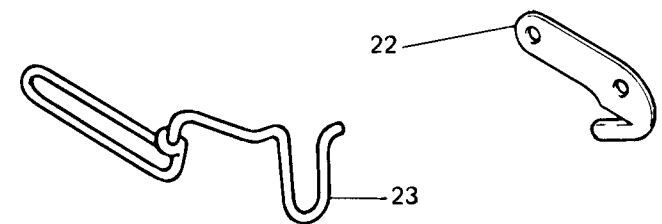
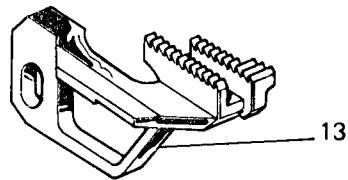
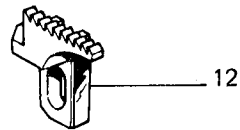
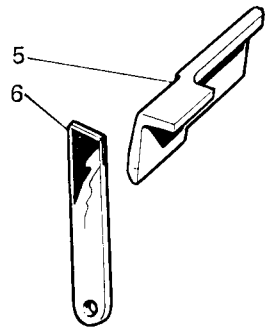
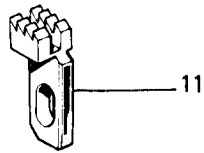
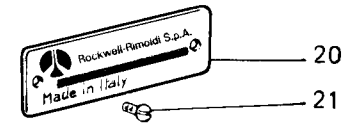
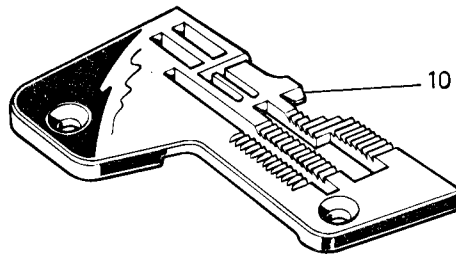
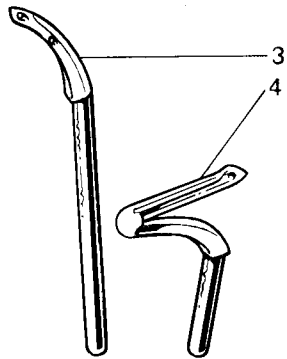
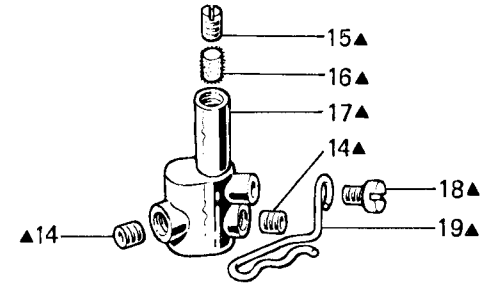
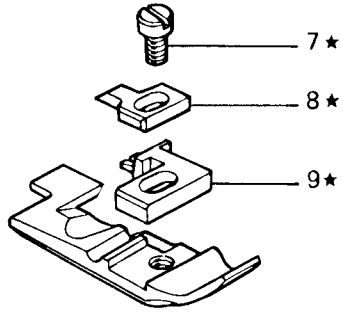
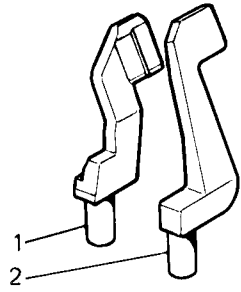
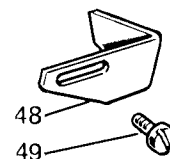


Fig. N. Abb. N.	Part. N. Piec. N. Bestell. N. Pieza N.	Qt. Anzahl	DESCRIZIONE	DESCRIPTION	DESCRIPTION	BENENNUNG	DESCRIPCION
★	203597-3-11	1	piedino completo	presserfoot assembly			
▲	207512-4-00	1	morsetto porta aghi	needles clamp assembly			
1	207994-0-00	1	salva ago	rear needle guard			
2	207997-0-00	1	spingi asola	front needle guard			
3	207059-0-00	1	crochet superiore	upper looper			
4	202094-0-11	1	crochet inferiore	lower looper			
5	202142-0-10	2	coltello superiore	upper knife			
6	202146-0-10	2	coltello inferiore	lower knife			
7	741675-2-00	1	vite	screw			
8	203772-0-11	1	staffa	bracket			
9	203569-0-11	1	linguetta	tongue			
10	203583-0-11	1	placca ago larg. costa 6 mm	needle plate width bight 6 mm			
11	203544-0-10	1	griffino	feed dog			
12	203542-0-10	1	griffa sussidiaria	subsidiary feed dog			
13	203536-0-10	1	griffa principale	main feed dog			
14	745810-2-00	1	vite	screw			
15	727021-0-00	1	vite	screw			
16	778206-0-00	1	stoppino	wick			
17	207522-2-00	1	morsetto porta aghi	needles clamp			
18	741415-2-00	1	vite	screw			
19	207542-0-00	1	guidafilo	thread guide			
20	780241-0-40	1	targhetta classe testa	head class plate			
21	202165-0-10	2	vite	screw			
22	202194-0-10	1	piastrina	plate			
23	990694-0-00	1	salvadita	protection			
			SOLO A RICHIESTA	ONLY ON REQUEST			SEULEMENT SUR DEMANDE
5	202143-0-10	2	coltello superiore	upper knife			couteau supérieur
	207000-2-00	1	coltello superiore	upper knife			couteau supérieur
	207008-2-00	1	coltello superiore	upper knife			couteau supérieur
6	207015-2-00	1	coltello inferiore	lower knife			couteau inférieur
10	203552-0-11	1	placca ago larg. costa 5 mm	needle plate width bight 5 mm			plaque à aiguille larg. surjet 5 mm
	203580-0-11	1	placca ago larg. costa 5,2 mm	needle plate width bight 5,2 mm			plaque à aiguille larg. surjet 5,2 mm

Fig. N. Abb. N.	Part. N. Bestell N. Piece N. Pieza N.	Qt. Anzahl	DESCRIZIONE	DESCRIPTION	DESCRIPTION	BENENNUNG	DESCRIPCION
27	<u>Tav. 1</u> 208034-0-00	1	leva per sgancio	lever	levier		
▲ 4	<u>Tav. 4</u> 206705-4-01 206702-2-01	1 1	albero princ. con cuscinetti albero principale	main shaft with bearing main shaft	arbre princ. avec coussinet arbre principal		
★ ▲ 1 6 8 11 12 21	<u>Tav. 6</u> 206387-4-00 206417-4-00 206453-4-00 206659-2-01 704847-0-00 206452-4-00 206658-2-02 206412-3-00	1 1 1 1 1 1 1 1	gruppo manicotti com. crochet gruppo comando crochet sup. gruppo manicotto con biella manicotto rondella gruppo manicotto con biella manicotto guida oscillante	control looper assembly upper looper control assembly coupling assembly with con-rod coupling washer coupling assembly with con-rod coupling guide	groupe manchon comm. crochet groupe comm. crochet supérieur groupe manchon avec bielle manchon rondelle groupe manchon avec bielle manchon guide		
23 40	<u>Tav. 7</u> 765400-6-60 206540-2-00	2 1	ago RIM 27 fin. 60 manovella albero sup. con vite	needle RIM 27 size 60 con-rod with screw	aiguille RIM 27 jauge 60 bras arbre sup. avec vis		
● 43 48 49	<u>Tav. 8</u> 208135-4-00 203142-0-10 203380-0-10 721443-2-00	1 1 1 1	gruppo supporto premistoffa molla squadretta vite	presser support assembly spring bracket screw	groupe support pied-presseur ressort équerre vis		
			PEZZI ANNULLATI	CANCELLED PARTS	PIECES ANNULEES		
	<u>Tav. 2</u>		ANNULLATA	CANCELLED	ANNULEE		
	<u>Tav. 3</u>		ANNULLATA	CANCELLED	ANNULEE		
40 45 46 47	<u>Tav. 8</u> 206882-0-00 206771-0-12 704004-0-00 741658-2-00	1 1 1 1	distanziale squadretta ferma piedino rondella vite	spacer bracket washer screw	entretoise équerre rondelle vis		

TAV. 8



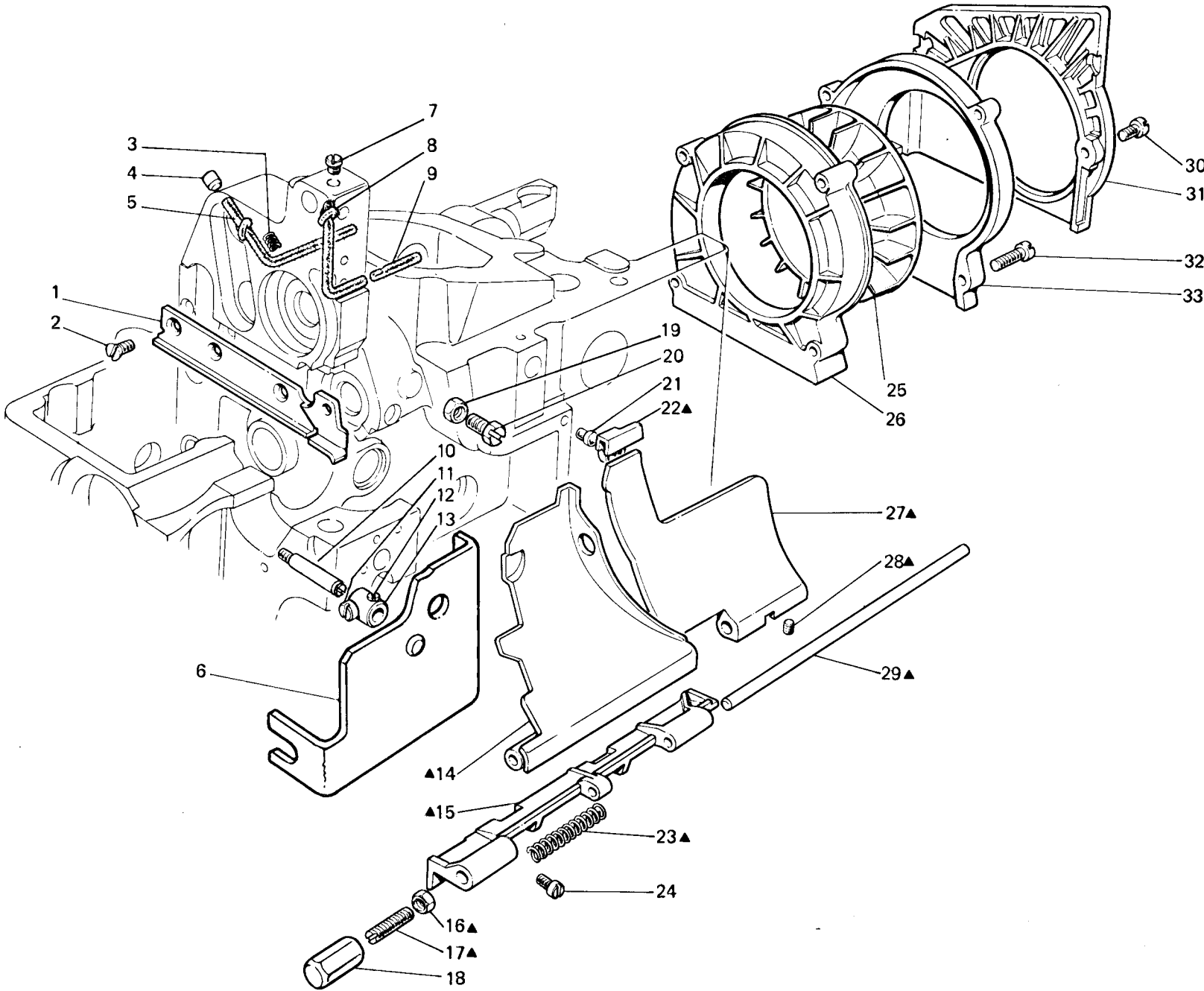


Fig. N. Abb. N.	Part. N. Piecce N. Bestell N. Pieza N.	Qt. Anzahl	DESCRIZIONE	DESCRIPTION	DESCRIPTION	BENENNUNG	DESCRIPCION
▲	208060-4-00	1	sportello anteriore completo	front cover assembly			
1	207961-0-00	1	carterino	cover		carter avant complet	
2	744634-2-00	3	vite	screw		carter	
3	208164-0-00	1	molla	spring		vis	
4	301608-0-00	1	tappo	plug		ressort	
5	778832-0-00	1	stoppino	wick		bouchon	
6	208031-2-00	1	carter laterale	side cover		mèche	
7	742838-2-00	1	vite	screw		carter latéral	
8	778833-0-00	1	stoppino	wick		vis	
9	778417-0-00	1	stoppino	wick		mèche	
10	207069-0-01	1	vite per carter laterale	screw		mèche	
11	721435-2-00	1	vite	screw		vis	
12	730023-2-00	1	vite	screw		vis	
13	206734-2-00	1	morsetto con viti	clamp with screw		vis	
14	208080-2-00	1	sportello scorrevole	sliding cover		collier de serrage avec vis	
15	206756-0-01	1	cerniera	hinge		carter coulissant	
16	746208-2-00	1	dado	nut		charnière	
17	206769-0-10	1	vite di regolazione	adjustment screw		écrou	
18	207071-0-00	1	cappuccio protez. filetto	protection cap		vis de réglage	
19	746007-2-00	1	dado	nut		capuchon de protection	
20	202214-0-11	1	vite	screw		écrou	
21	207856-0-00	1	gommino	dumper		vis	
22	206764-0-00	1	zoccolo	block		caoutchouc	
23	206768-0-00	1	molla	spring		socle	
24	741724-0-00	4	vite	screw		ressort	
25	206690-2-00	1	ventola di raffreddamento	cooling fan		vis	
26	206688-0-00	1	coclea per ventola	scroll		ventilateur	
27	207858-0-00	1	sportello ribaltabile	tipping cover		palier	
28	745800-2-00	1	vite	screw		carter amovible	
29	206767-0-00	1	perno	pin		vis	
30	722063-2-00	1	vite per coperchio	screw		pivot	
31	206685-0-00	1	coperchio cinghia	cover		vis	
32	202484-0-10	4	vite	screw		couvercle	
33	206687-2-00	1	coperchio coclea	scroll cover		vis	
						couvercle palier	

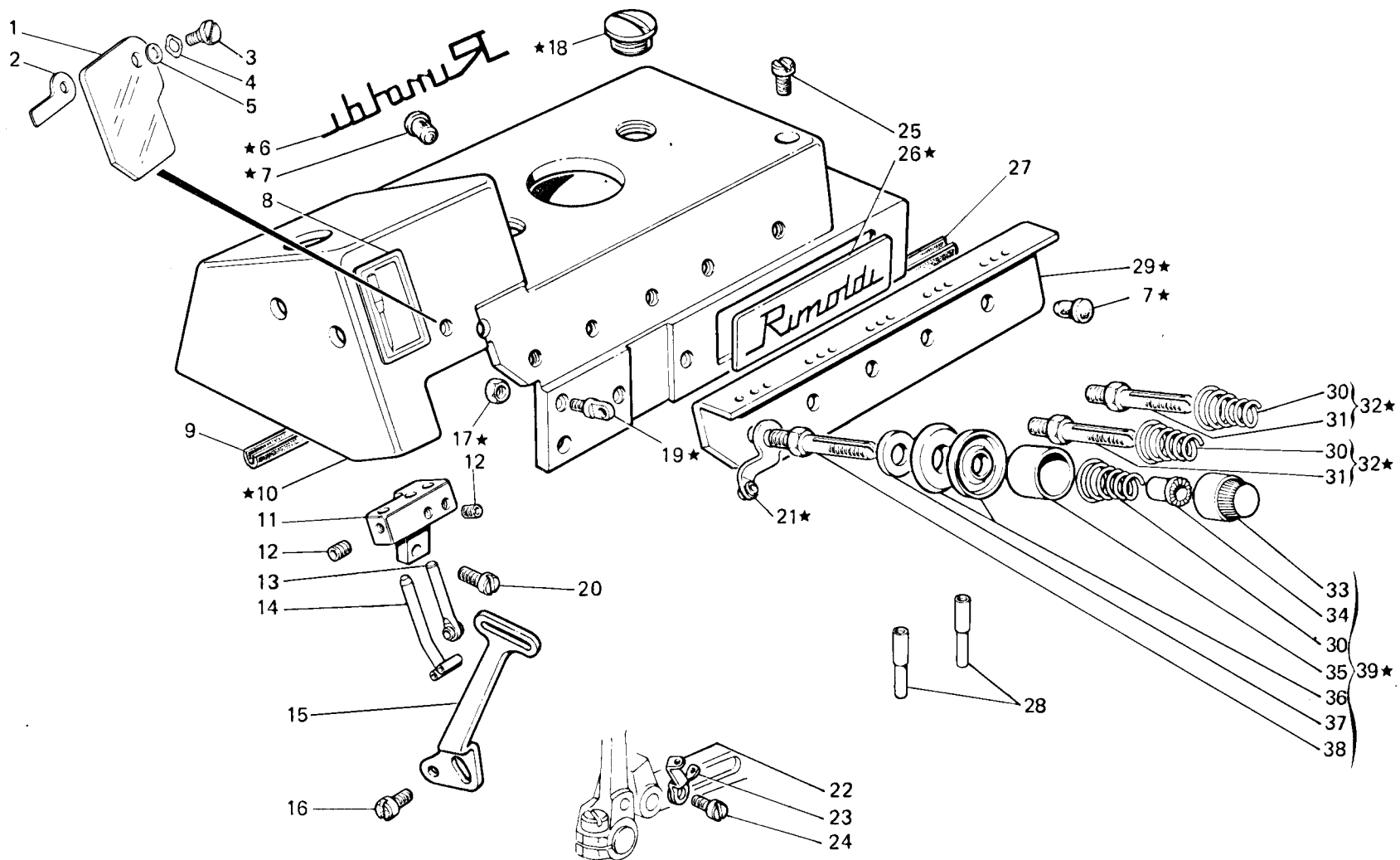


Fig. N. Abb. N.	Part. N. Piece N. Bestell N. Pieza N.	Qt. Anzahl	DESCRIZIONE	DESCRIPTION	DESCRIPTION	BENENNUNG	DESCRIPTION
★	208103-4-00	1	coperchio superiore completo	upper cover assembly	couvercle supérieur complet		
1	208221-0-00	1	piastrina protezione	plate	plaquette		
2	208222-0-00	1	piastrina	plate	plaquette		
3	208224-0-00	1	vite	screw	vis		
4	208220-0-00	1	anello elastico	spring ring	anneau ressort		
5	704630-0-00	1	rondella	washer	rondelle		
6	100305-0-10	1	decalcomania	decalcomania	décalcomanie		
7	207893-0-00	4	tappo	plug	bouchon		
8	788002-0-01	1	decalcomania sist. aghi	needles syst. decalcomania	décalcomanie syst. aiguilles		
9	208091-0-00	1	guarnizione	gasket	garniture		
10	207910-0-00	1	coperchio superiore	upper cover	couvercle supérieur		
11	207916-0-00	1	supporto passafili aghi	needles thread guide support	support passe-fil aiguilles		
12	745800-2-00	2	vite	screw	vis		
13	208184-2-00	1	passafilo	thread guide	passe-fil		
14	203647-2-13	1	passafilo	thread guide	passe-fil		
15	207869-0-00	1	tendifilo	thread take-up	tendeur du fil		
16	741558-0-00	2	vite	screw	vis		
17	733503-0-00	3	dado	nut	écrou		
18	207968-0-00	2	tappo	plug	bouchon		
19	206711-0-00	3	passafilo	thread guide	passe-fil		
20	741956-2-00	2	vite	screw	vis		
21	206713-2-00	1	passafilo	thread guide	passe-fil		
22	202281-0-10	1	tendifilo crochet sup.	thread take-up	tendeur du fil		
23	202279-0-10	1	tendifilo crochet inf.	thread take-up	tendeur du fil		
24	741657-0-00	1	vite	screw	vis		
25	721484-2-00	3	vite fissa coperchio sup.	screw	vis		
26	207918-0-00	1	targhetta	plate	plaque		
27	208090-0-00	1	guarnizione	gasket	garniture		
28	206740-0-00	2	tubetto passafilo	thread guide pipe	tube passe-fil		
29	207919-0-00	1	piastra passafili	plate	plaque		
30	203457-0-10	3	molla	spring	ressort		
31	206747-0-01	2	perno	pin	pivot		
32	206344-4-00	2	tensione completa	tension assembly	tension complète		
33	202558-2-01	3	pomolo	knob	pommeau		
34	202229-0-10	3	bussola	bush	bage		
35	202556-0-01	3	scodellino	cup	cuvette		
36	300218-0-10	6	disco tensione	tension disc	disque tension		
37	206754-0-00	3	rondella	washer	rondelle		
38	208169-0-00	1	perno	pin	pivot		
39	208170-4-00	1	tensione completa	tension assembly	tension complète		
			SOLO A RICHIESTA	ONLY ON REQUEST	SEULEMENT SUR DEMANDE		
—	208311-4-00	1	gruppo passafili	thread guide assembly	groupe passe-fils		
13	208179-2-00	1	passafilo	thread guide	passe-fil		
14	208197-3-00	1	passafilo	thread guide	passe-fil		
17	733503-0-00	3	dado	nut	écrou		
19	208204-2-00	3	passafilo	thread guide	passe-fil		
21	208185-2-00	1	passafilo	thread guide	passe-fil		

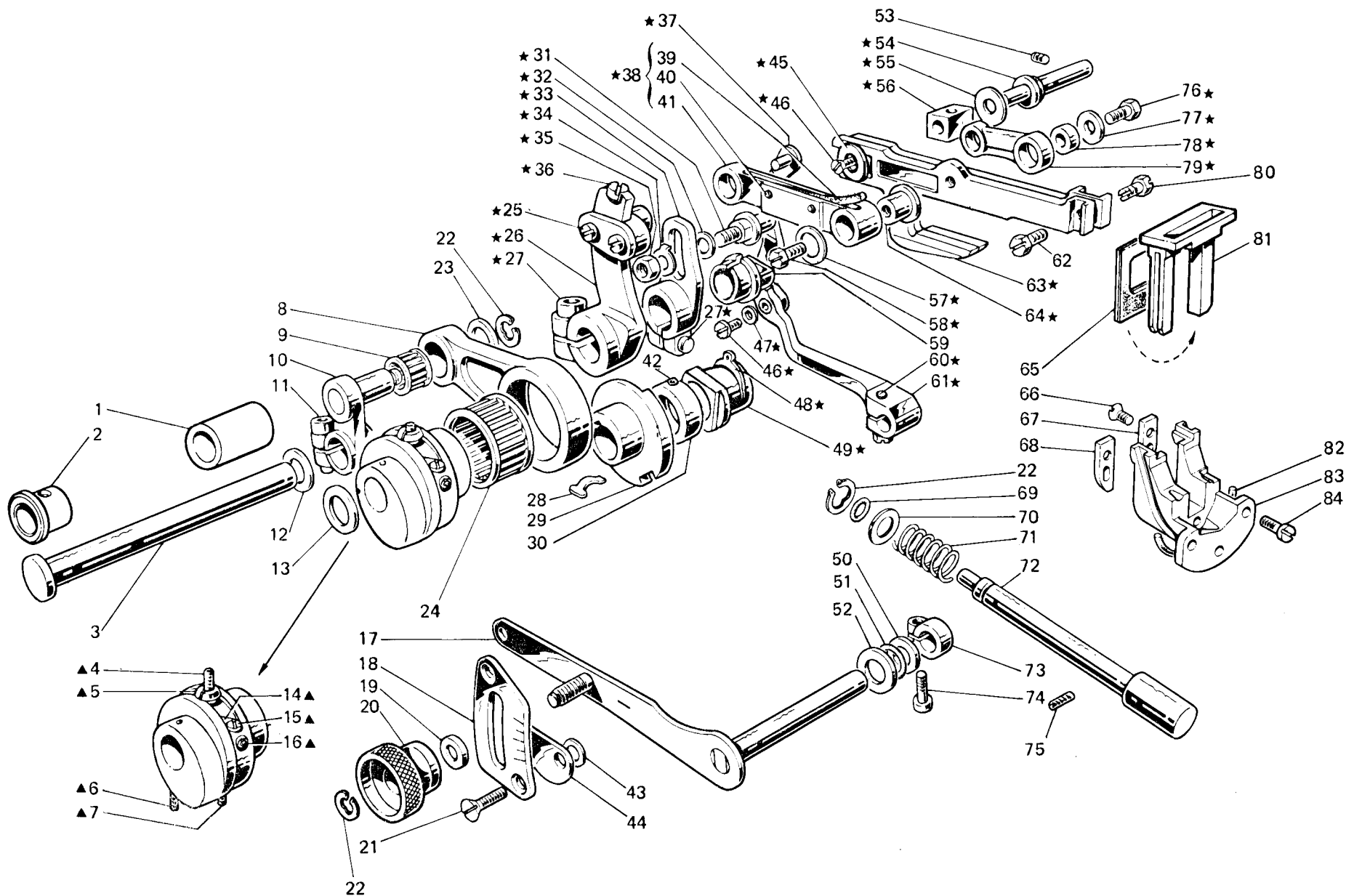


Fig. N. Abb. N.	Part. N. Bestell N. Piece N. Pieza N.	Qt. Anzahl	DESCRIZIONE	DESCRIPTION	DESCRIPTION	BENENNUNG	DESCRIPCION
★	208097-4-00	1	gruppo comando slitta	slide control assembly	groupe commande glissière		
▲	207950-4-00	1	gruppo eccentr. regol. trasporto	eccentric assembly	groupe excentrique		
1	206594-0-00	1	bussola	bush	bague		
2	206595-0-00	1	bussola	bush	bague		
3	206593-0-00	1	contralbero trasporto	transport countershaft	axe transport		
4	729051-2-00	1	vite	screw	vis		
5	206603-0-10	1	fermo eccentrico	eccentric retainer	pièce blocage excentrique		
6	745815-2-00	1	vite	screw	vis		
7	727884-0-00	1	vite	screw	vis		
8	206599-0-01	1	biella comando trasporto	transport con-rod	bielle commande transport		
9	201358-0-10	1	gabbia a rullini	needles cage	cage à aiguilles		
10	206598-2-00	1	braccio a manov. con vite	crank arm with screw	bras à manivelle avec vis		
11	744334-2-00	1	vite	screw	vis		
12	704841-0-00	1	rondella	washer	rondelle		
13	206602-0-00	1	rondella	washer	rondelle		
14	202412-0-11	1	lardone	gib	lardon		
15	202473-0-11	2	vite	screw	vis		
16	730011-2-00	2	vite	screw	vis		
17	202345-2-30	1	leva	lever	levier		
18	207060-0-00	1	settore con indice regol.	sector	secteur		
19	704228-4-00	1	rondella	washer	rondelle		
20	202350-0-10	1	pomolo	knob	pommeau		
21	724895-2-00	2	vite	screw	vis		
22	700207-0-00	3	anello elastico	spring ring	anneau ressort		
23	206546-0-00	1	rondella	washer	rondelle		
24	202385-0-10	1	gabbia a rullini	needles cage	cage à aiguilles		
25	741546-2-00	2	vite	screw	vis		
26	206592-3-00	1	manovella trasp. con viti	transport crank with screw	manivelle transport avec vis		
27	744332-2-00	2	vite	screw	vis		
28	206872-0-00	1	molla	spring	ressort		
29	206605-0-01	1	eccentrico	eccentric	eccentrique		
30	206606-2-00	1	anello di rasamento	shim	bague		
31	202063-0-10	1	spina	pin	goupille		
32	704808-0-00	1	rondella	washer	rondelle		
33	206584-2-00	1	braccio manovella	crank arm	bras manivelle		
34	206580-2-00	1	rondella con spina	washer with pin	rondelle avec goupille		
35	746008-0-00	1	dado	nut	écrou		
36	741413-0-00	1	vite	screw	vis		
37	207724-2-00	1	giunto	joint	joint		
38	206615-4-00	1	biellino completo	con-rod assembly	petite-bielle complète		
39	778417-0-00	1	stoppino	wick	mèche		
40	200490-0-00	2	spillo	needle	épingle		
41	206587-0-01	1	biellino	con-rod	petite-bielle		
42	745812-2-00	2	vite	screw	vis		
43	704308-4-00	2	rondella	washer	rondelle		
44	202292-0-10	2	settore	sector	secteur		
45	202475-0-10	1	rondella	washer	rondelle		
46	724032-0-00	2	vite	screw	vis		
47	207719-0-00	1	rondella	washer	rondelle		

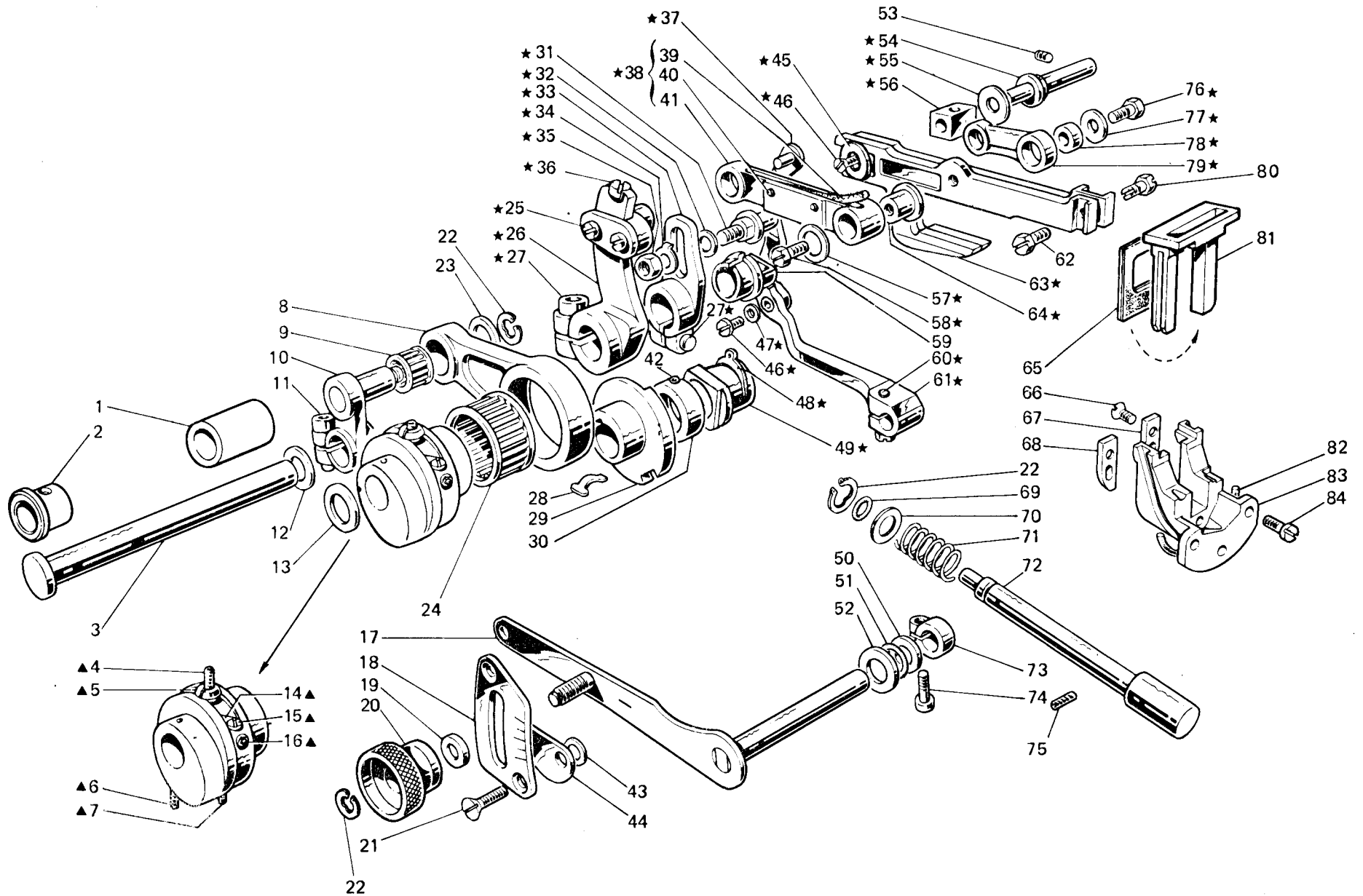


Fig. N. Abb. N.	Part. N. Piec. N. Bestell N. Pieza N.	Qt. Anzahl	DESCRIZIONE	DESCRIPTION	DESCRIPTION	BENENNUNG	DESCRIPCION
48	201610-0-01	1	anello elastico	spring ring	anneau ressort		
49	206617-0-00	1	blocchetto	block	bloc		
50	704829-0-00	1	rondella	washer	rondelle		
51	701007-0-00	1	anello di tenuta	retainer ring	bague d'étanchéité		
52	705230-0-00	1	rondella	washer	rondelle		
53	202478-0-10	1	vite	screw	vis		
54	206613-0-00	1	perno eccentrico	eccentric pin	pivot excentrique		
55	705408-0-00	1	rondella	washer	rondelle		
56	202033-0-10	1	blocchetto	block	bloc		
57	705008-0-00	1	rondella	washer	rondelle		
58	206588-0-00	1	vite	screw	vis		
59	206619-0-00	1	vaschetta olio	oil sump	cuvette huile		
60	740053-2-00	1	vite	screw	vis		
61	207711-2-10	1	braccio reg. differenziale	differential arm	bras reg. différentiel		
62	202489-0-10	1	vite	screw	vis		
63	207942-3-00	1	gruppo slitta	slide assembly	groupe glissière		
64	206586-0-01	1	bussola per biellino	bush	bague		
65	207944-0-00	2	guarnizione raschia olio	gasket	garniture		
66	744512-4-00	2	vite	screw	vis		
67	207947-0-00	1	piastrina	plate	plaque		
68	207945-0-00	1	piastrina	plate	plaque		
69	701004-0-00	1	anello	ring	anneau		
70	704314-2-00	1	rondella	washer	rondelle		
71	202408-0-10	1	molla	spring	ressort		
72	207070-0-00	1	pulsante reg. punto	push-button	poussoir		
73	100620-2-10	1	morsetto con vite	clamp with screw	collier de serrage avec vis		
74	741745-2-00	1	vite	screw	vis		
75	729032-2-00	1	vite	screw	vis		
76	202490-0-10	1	vite	screw	vis		
77	705208-0-00	1	rondella	washer	rondelle		
78	202032-0-11	1	bussolina	bush	bague		
79	206583-0-00	1	biellino	con-rod	petite bielle		
80	202488-0-10	1	vite	screw	vis		
81	207946-0-00	1	telaio raschia olio	oil scraper frame	râcheur huile		
82	207948-0-00	1	guarnizione	gasket	garniture		
83	207943-2-00	1	guida slitta	slide guide	guide coulissant		
84	722063-2-00	3	vite	screw	vis		

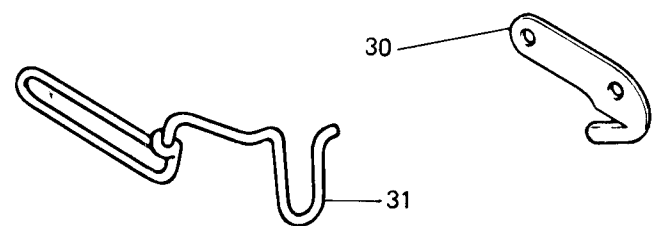
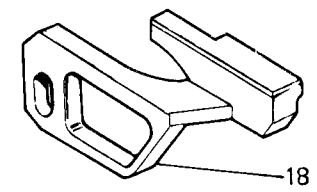
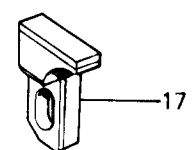
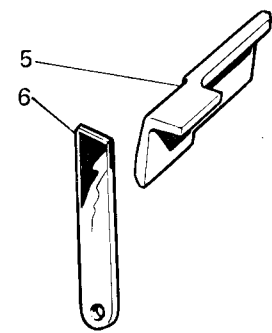
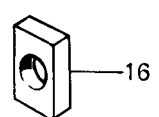
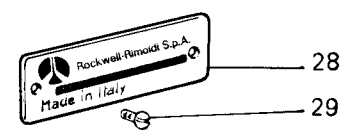
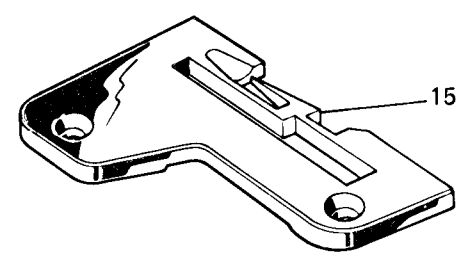
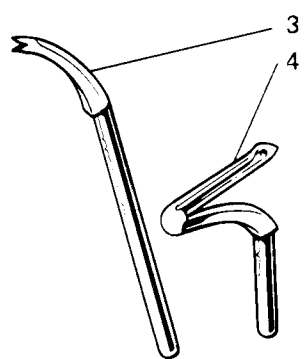
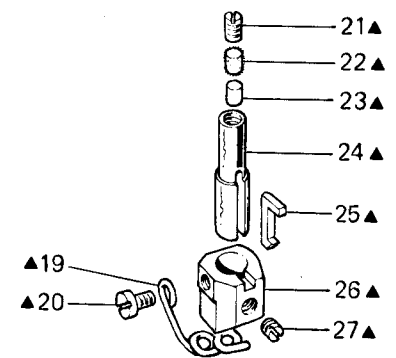
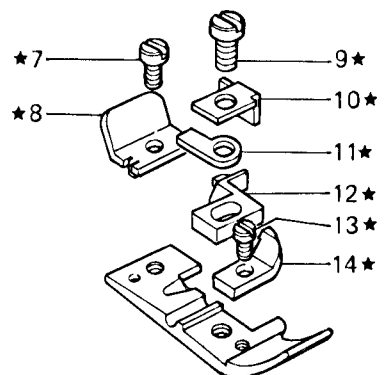
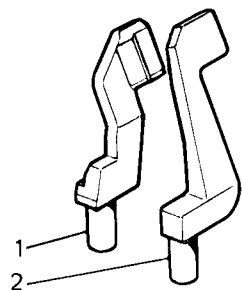


Fig. N. Abb. N.	Part. N. Piece N. Bestell N. Pieza N.	Qt. Anzahl	DESCRIZIONE	DESCRIPTION	DESCRIPTION	BENENNUNG	DESCRIPCION
★	203447-3-11	1	pedino completo	presserfoot assembly	pied-presseur complet		
▲	207511-4-10	1	morsetto porta aghi completo	needles clamp assembly	porte-aiguilles complet		
1	207992-0-00	1	salva ago	rear needle guard	protège-aiguille		
2	207995-0-00	1	spingi asola	front needle guard	pare-boucle		
3	202092-0-11	1	crochet superiore cieco	upper blind looper	crochet supérieur aveugle		
4	202094-0-11	1	crochet inferiore	lower looper	crochet inférieur		
5	207000-2-00	1	coltello superiore	upper knife	couteau supérieur		
6	207015-2-00	1	coltello inferiore	lower knife	couteau inférieur		
7	741413-2-00	1	vite	screw	vis		
8	202192-0-10	1	piastrina	plate	plaque		
9	741675-2-00	1	vite	screw	vis		
10	203483-0-11	1	piastrina	plate	plaque		
11	202201-0-11	1	staffa	bracket	bride		
12	203453-0-11	1	linguetta	tongue	languette		
13	741431-2-00	1	vite	screw	vis		
14	202184-0-11	1	blocchetto	block	bloc		
15	203436-0-11	1	placca ago larg. costa 2,5 mm	needle plate width bight 2,5 mm	plaque à aiguille larg. surjet 2,5 mm		
16	203426-0-10	1	finto griffino	mock feed dog	fausse griffe		
17	203423-2-11	1	griffa sussidiaria	subsidiary feed dog	griffe subsidiaire		
18	203419-2-11	1	griffa principale	main feed dog	griffe principale		
19	207541-0-00	1	guidafilo	thread guide	guide-fil		
20	207563-0-00	1	vite	screw	vis		
21	727021-0-00	1	vite	screw	vis		
22	778206-0-00	1	stoppino	wick	mèche		
23	309749-0-00	1	spina	pin	goupille		
24	207521-2-10	1	morsetto porta aghi	needles clamp	porte-aiguilles		
25	203416-0-10	1	chiavetta	key	clavette		
26	203415-0-20	1	fascetta	clamp	bride		
27	745501-0-00	1	vite	screw	vis		
28	780244-0-40	1	targhetta classe testa	head class plate	plaque classe tête		
29	202165-0-10	2	vite	screw	vis		
30	202194-0-10	1	piastrina	plate	plaque		
31	990694-0-00	1	salvadita	protection	protection		
			SOLO A RICHIESTA	ONLY ON REQUEST	SEULEMENT SUR DEMANDE		
3	206208-0-00	1	crochet superiore	upper looper	crochet supérieur		
5	207008-2-00	1	coltello superiore	upper knife	couteau supérieur		
	202143-0-10	2	coltello superiore	upper knife	couteau supérieur		
	202142-0-10	2	coltello superiore	upper knife	couteau supérieur		
6	202146-0-10	2	coltello inferiore	lower knife	couteau inférieur		
15	203435-0-11	1	placca ago larg. costa 3 mm	needle plate width bight 3 mm	plaque à aiguille larg. surjet 3 mm		
17	203498-0-10	1	griffa sussidiaria	subsidiary feed dog	griffe subsidiaire		
18	203497-0-10	1	griffa principale	main feed dog	griffe principale		

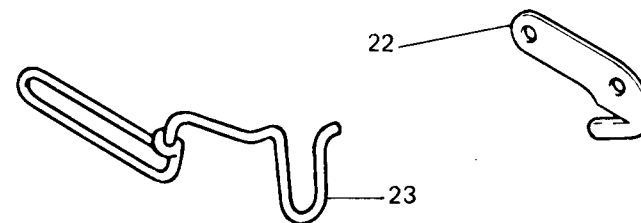
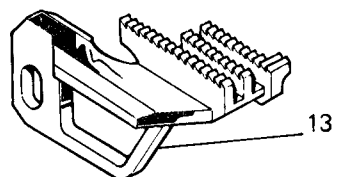
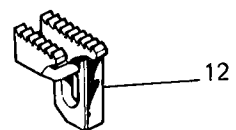
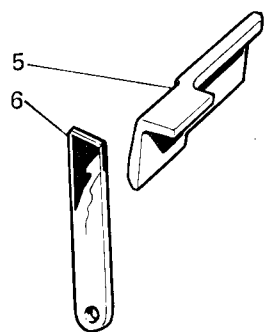
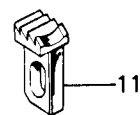
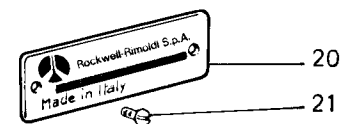
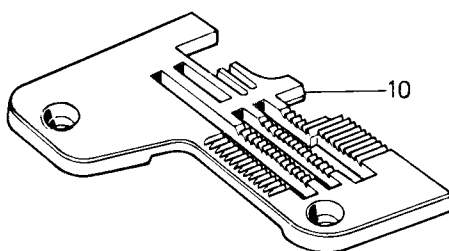
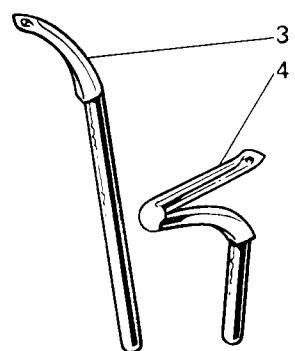
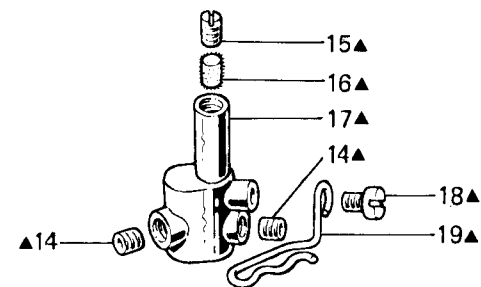
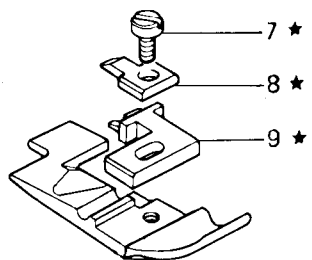
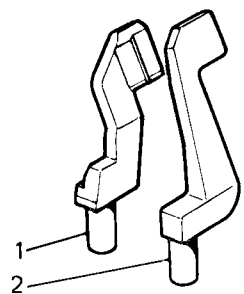


Fig. N. Abb. N.	Part. N. Piece N. Bestell N. Pieza N.	Ct. Anzahl	DESCRIZIONE	DESCRIPTION	DESCRIPTION	BENENNUNG	DESCRIPCION
★	204037-3-11	1	piedino completo	presserfoot assembly			
▲	207512-4-00	1	morsetto porta aghi completo	needles clamp assembly	pied-presseur complet		
1	207994-0-00	1	salva ago	rear needle guard	porte-aiguilles complet		
2	207997-0-00	1	spingi asola	front needle guard	protège-aiguille		
3	206209-0-00	1	crochet superiore	upper looper	pare-boucle		
4	202095-0-11	1	crochet inferiore	lower looper	crochet supérieur		
5	202143-0-10	1	coltello superiore	upper knife	crochet inférieur		
6	202146-0-10	1	coltello inferiore	lower knife	couteau supérieur		
7	741675-2-00	1	vite	screw	couteau inférieur		
8	203772-0-11	1	staffa	bracket	vis		
9	203569-0-11	1	linguetta	tongue	vis		
10	203551-0-11	1	placca ago larg. costa 5 mm	needle plate width bight 5 mm	bride		
11	203612-0-10	1	griffino	feed dog	languette		
12	203540-0-10	1	griffa sussidiaria	subsidiary feed dog	plaque à aiguille larg. surjet 5 mm		
13	203533-0-10	1	griffa principale	main feed dog	petite griffe		
14	745810-2-00	2	vite	screw	griffe subsidiaire		
15	727021-0-00	1	vite	screw	griffe principale		
16	778206-0-00	1	stoppino	wick	vis		
17	207522-2-00	1	morsetto porta aghi	needles clamp	vis		
18	741415-2-00	1	vite	screw	mèche		
19	207542-0-00	1	guidafilo	thread guide	porte-aiguilles		
20	780200-0-40	1	targhetta classe testa	head class plate	vis		
21	202165-0-10	2	vite	screw	guide-fil		
22	202194-0-10	1	piastrina	plate	plaque classe tête		
23	990694-0-00	1	salvadita	protection	vis		
			SOLO A RICHIESTA	ONLY ON REQUEST	SEULEMENT SUR DEMANDE		
4	202094-0-11	1	crochet inferiore	lower looper	crochet inférieur		
5	202142-0-10	2	coltello superiore	upper knife	couteau supérieur		
	207000-2-00	1	coltello superiore	upper knife	couteau supérieur		
	207008-2-00	1	coltello superiore	upper knife	couteau supérieur		
6	207015-2-00	1	coltello inferiore	lower knife	couteau supérieur		
10	203695-0-01	1	placca ago larg. costa 7 mm	needle plate width bight 7 mm	couteau inférieur		
					plaque à aiguille larg. surjet 7 mm		
27	<u>Tav. 3</u> 203027-0-10	1	tendifilo crochet sup.	upper looper thread take-up	tendeur du fil crochet sup.		
28	203133-0-10	1	tendifilo crochet inf.	lower looper thread take-up	tendeur du fil crochet inf.		
41	203136-0-10	1	tendifilo crochet inf.	lower looper thread take-up	tendeur du fil crochet inf.		
23	<u>Tav. 7</u> 765200-6-90	2	ago RIM 27 fin. 90	needle RIM 27 size 90	aiguille RIM 27 jauge 90		

Fig. N. Abb. N.	Part. N. Bestell N. Piece N. Pieza N.	Qt. Anzahl	DESCRIZIONE	DESCRIPTION	DESCRIPTION	BENENNUNG	DESCRIPCION
27	<u>Tav. 1</u> 208034-0-00	1	leva per sgancio	lever	levier		
▲ 4	<u>Tav. 4</u> 206705-4-01 206702-2-01	1 1	albero princ. con cuscinetti albero principale	main shaft with bearing main shaft	arbre princ. avec coussinet arbre principal		
23 40	<u>Tav. 7</u> 765400-6-60 206540-2-00	2 1	ago RIM 27 fin. 60 manovella albero sup. con vite	needle RIM 27 size 60 con-rod with screw	aiguille RIM 27 jauge 60 bras arbre sup. avec vis		
43	<u>Tav. 8</u> 208135-4-00 203142-0-10	1 1	gruppo supporto premistoffa molla	presser support assembly spring	groupe support pied-presseur ressort		
			PEZZI ANNULLATI	CANCELLED PARTS	PIECES ANNULEES		
	<u>Tav. 2</u>		ANNULLATA	CANCELLED	ANNULEE		
	<u>Tav. 3</u>		ANNULLATA	CANCELLED	ANNULEE		
	<u>Tav. 5</u>		ANNULLATA	CANCELLED	ANNULEE		
	<u>Tav. 6</u>		ANNULLATA	CANCELLED	ANNULEE		
40	<u>Tav. 8</u> 206882-0-00	1	distanziale	spacer	entretoise		

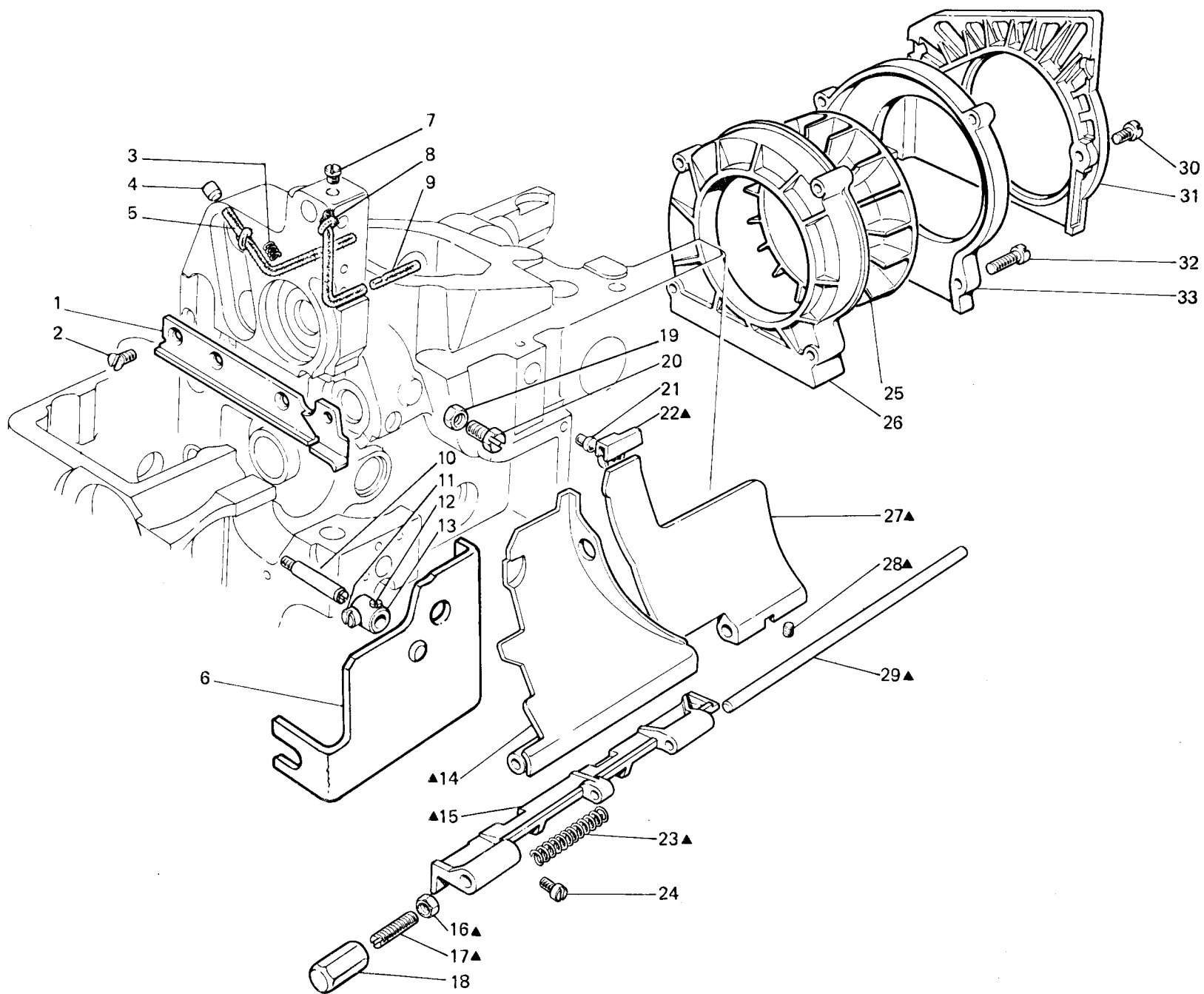


Fig. N. Abb. N.	Part. N. Piece N. Bestell N. Pieza N.	Qt. Anzahl	DESCRIZIONE	DESCRIPTION	DESCRIPTION	BENENNUNG	DESCRIPTION
★	203447-3-11	1	piedino completo	presserfoot assembly	pied-presseur complet		
●	207174-4-00	1	gruppo placca ago	needle plate assembly	plaque à aiguille complet		
▲	207511-4-10	1	morsetto porta aghi completo	needles clamp assembly	porte-aiguilles complet		
1	207994-0-00	1	salva ago	rear needle guard	protège-aiguille		
2	207997-0-00	1	spingi asola	front needle guard	pare-boucle		
3	202092-0-11	1	crochet superiore	upper looper	crochet supérieur		
4	202413-0-11	1	crochet inferiore	lower looper	crochet inférieur		
5	207000-2-00	1	coltello superiore	upper knife	couteau supérieur		
6	207015-2-00	1	coltello inferiore	lower knife	couteau inférieur		
7	741413-2-00	1	vite	screw	vis		
8	202192-0-10	1	piastrina	plate	plaque		
9	741675-2-00	1	vite	screw	vis		
10	203483-0-11	1	piastrina	plate	plaque		
11	202201-0-11	1	staffa	bracket	bride		
12	203453-0-11	1	linguetta	tongue	languette		
13	741431-2-00	1	vite	screw	vis		
14	202184-0-11	1	blocchetto	block	bloc		
15	207172-0-00	1	placca ago larg. costa 3 mm	needle plate width bight 3 mm	plaque à aiguille larg. surjet 3 mm		
16	207157-0-00	1	prolunga	extension	extension		
17	741559-2-00	2	vite	screw	vis		
18	202061-0-10	1	griffino	feed dog	petite griffe		
19	206295-2-00	1	griffa sussidiaria	subsidiary feed dog	griffe subsidiaire		
20	206293-2-00	1	griffa principale	main feed dog	griffe principale		
21	207541-0-00	1	guidafilo	thread guide	guide-fil		
22	207563-0-00	1	vite	screw	vis		
23	727021-0-00	1	vite	screw	vis		
24	778206-0-00	1	stoppino	wick	mèche		
25	309749-0-00	1	spina	pin	goupille		
26	207521-2-10	1	morsetto porta aghi	needles clamp	porte-aiguilles		
27	203416-0-10	1	chiavetta	key	clavette		
28	203415-0-20	1	fascetta	clamp	bride		
29	745501-0-00	1	vite	screw	vis		
30	780247-0-40	1	targhetta classe testa	head class plate	plaque classe tête		
31	202165-0-10	2	vite	screw	vis		
32	202194-0-10	1	piastrina	plate	plaque		
33	990694-0-00	1	salvadita	protection	protection		

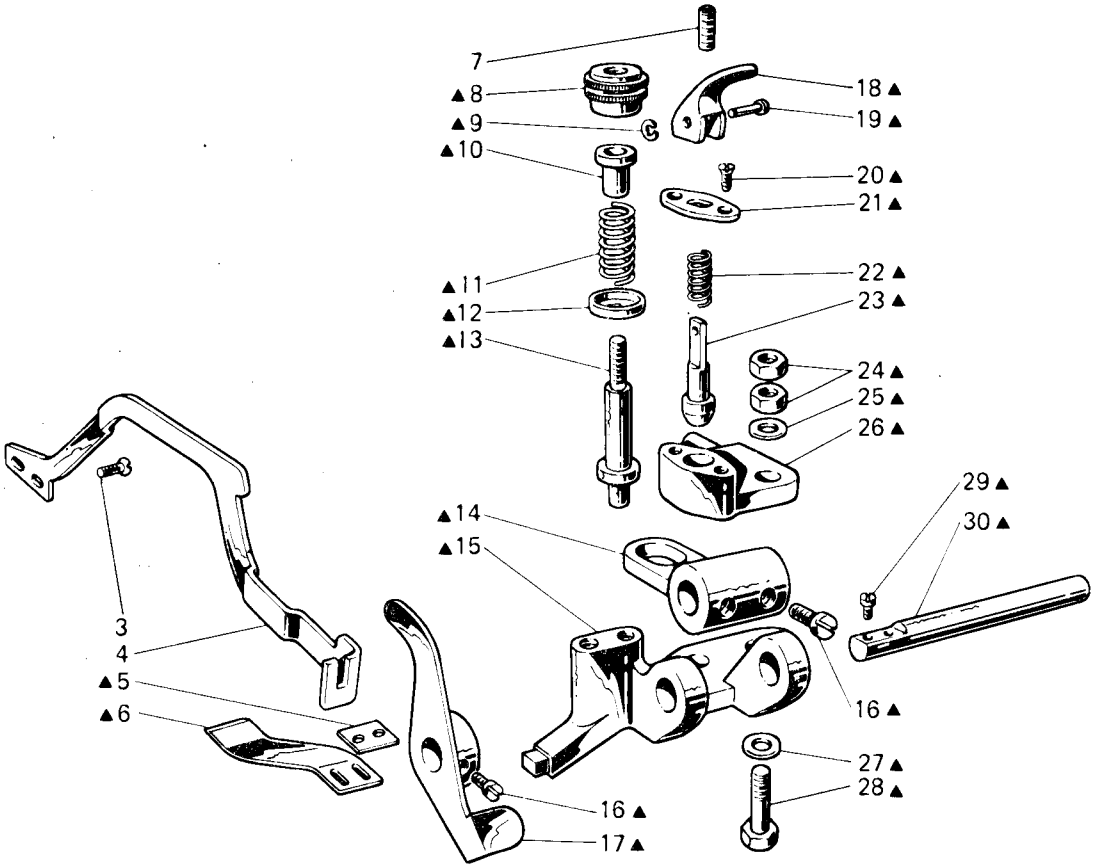
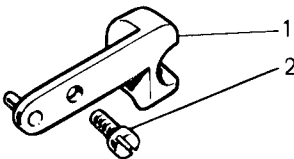


Fig. N. Abb. N.	Part. N. Bestell N. Pieca N. Pieza N.	Qt. Anzahl	DESCRIZIONE	DESCRIPTION	DESCRIPTION	BENENNUNG	DESCRIPCION
★	208104-4-00	1	coperchio superiore compl.	upper cover assembly	couvercle supérieur complet		
1	208221-0-00	1	piastrina protezione	plate	plaquette		
2	208222-0-00	1	piastrina	plate	plaquette		
3	208224-0-00	1	vite	screw	vis		
4	208220-0-00	1	anello elastico	spring ring	anneau ressort		
5	704630-0-00	1	rondella	washer	rondelle		
6	100305-0-10	1	decalcomania	decalcomania	décalcomanie		
7	207893-0-00	4	tappo	plug	bouchon		
8	788002-0-01	1	decalcomania sist. aghi	needles syst. decalcomania	décalcomanie syst. aiguilles		
9	208091-0-00	1	guarnizione	gasket	garniture		
10	207910-0-00	1	coperchio superiore	upper cover	couvercle supérieur		
11	207916-0-00	1	supporto passafili aghi	needles thread guide support	support passe-fil aiguilles		
12	745800-2-00	2	vite	screw	vis		
13	208184-2-00	1	passafilo	thread guide	passe-fil		
14	207874-0-00	1	tendifilo	thread take-up	tendeur du fil		
15	741558-0-00	2	vite	screw	vis		
16	733503-0-00	3	dado	nut	écrou		
17	207968-0-00	2	tappo	plug	bouchon		
18	741956-2-00	2	vite	screw	vis		
19	206711-0-00	3	passafilo	thread guide	passe-fil		
20	202280-0-10	1	tendifilo crochet sup.	thread take-up	tendeur du fil		
21	741657-0-00	1	vite	screw	vis		
22	206713-2-00	1	passafilo	thread guide	passe-fil		
23	721484-2-00	3	vite fissa coperchio sup.	screw	vis		
24	207918-0-00	1	targhetta	plate	plaque		
25	208090-0-00	1	guarnizione	gasket	garniture		
26	206740-0-00	2	tubetto passafilo	thread guide pipe	tube passe-fil		
27	202283-0-10	1	tendifilo crochet inf.	thread take-up	tendeur du fil		
28	720431-2-00	1	vite	screw	vis		
29	207919-0-00	1	piastra passafili	plate	plaque		
30	202681-0-10	3	molla	spring	ressort		
31	206747-0-01	2	perno	pin	pivot		
32	206343-4-00	2	tensione completa	tension assembly	tension complète		
33	202558-2-01	3	pomolo	knob	poignée		
34	202229-0-10	3	bussola	bush	bague		
35	202556-0-01	3	scodellino	cup	cuvette		
36	300218-0-10	6	disco tensione	tension disc	disque tension		
37	206754-0-00	3	rondella	washer	rondelle		
38	208169-0-00	1	perno	pin	pivot		
39	208171-4-00	1	tensione completa	tension assembly	tension complète		

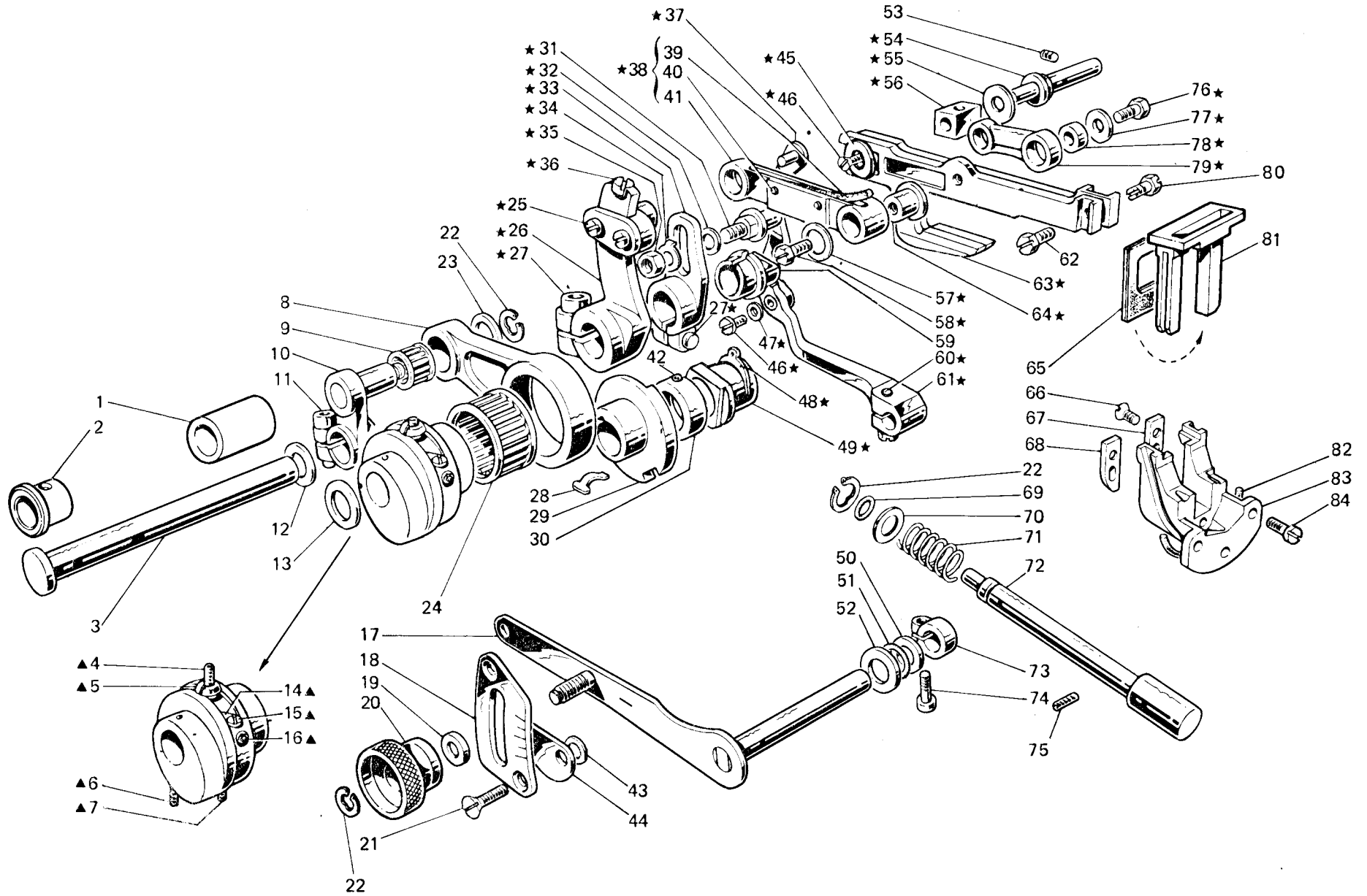


Fig. N. Abb. N.	Part. N. Bestell N. Piece N. Pieza N.	Qt. Anzahl	DESCRIZIONE	DESCRIPTION	DESCRIPTION	BENENNUNG	DESCRIPCION
★	208097-4-00	1	gruppo comando slitta	slide control assembly			
▲	207950-4-00	1	gruppo eccentr. regol. trasporto	eccentric assembly			
1	206594-0-00	1	bussola	bush			
2	206595-0-00	1	bussola	bush			
3	206593-0-00	1	contralbero trasporto	transport countershaft			
4	729051-2-00	1	vite	screw			
5	206603-0-10	1	fermo eccentrico	eccentric retainer			
6	745815-2-00	1	vite	screw			
7	727884-0-00	1	vite	screw			
8	206599-0-01	1	biella comando trasporto	transport con-rod			
9	201358-0-10	1	gabbia a rullini	needles cage			
10	206598-2-00	1	braccio a manov. con vite	crank arm with screw			
11	744334-2-00	1	vite	screw			
12	704841-0-00	1	rondella	washer			
13	206602-0-00	1	rondella	washer			
14	202412-0-11	1	lardone	gib			
15	202473-0-11	2	vite	screw			
16	730011-2-00	2	vite	screw			
17	202345-2-30	1	leva	lever			
18	207060-0-00	1	settore con indice regol.	sector			
19	704228-4-00	1	rondella	washer			
20	202350-0-10	1	pomolo	knob			
21	724895-2-00	2	vite	screw			
22	700207-0-00	3	anello elastico	spring ring			
23	206546-0-00	1	rondella	washer			
24	202385-0-10	1	gabbia a rullini	needles cage			
25	741546-2-00	2	vite	screw			
26	206592-3-00	1	manovella trasp. con viti	transport crank with screw			
27	744332-2-00	2	vite	screw			
28	206872-0-00	1	molla	spring			
29	206605-0-01	1	eccentrico	eccentric			
30	206606-2-00	1	anello di rasamento	shim			
31	202063-0-10	1	spina	pin			
32	704808-0-00	1	rondella	washer			
33	206584-2-00	1	braccio manovella	crank arm			
34	206580-2-00	1	rondella con spina	washer with pin			
35	746008-0-00	1	dado	nut			
36	741413-0-00	1	vite	screw			
37	207724-2-00	1	giunto	joint			
38	206615-4-00	1	biellino completo	con-rod assembly			
39	778417-0-00	1	stoppino	wick			
40	200490-0-00	2	spillo	needle			
41	206587-0-01	1	biellino	con-rod			
42	745812-2-00	2	vite	screw			
43	704308-4-00	2	rondella	washer			
44	202292-0-10	2	settore	sector			
45	202475-0-10	1	rondella	washer			
46	724032-0-00	2	vite	screw			
47	207719-0-00	1	rondella	washer			

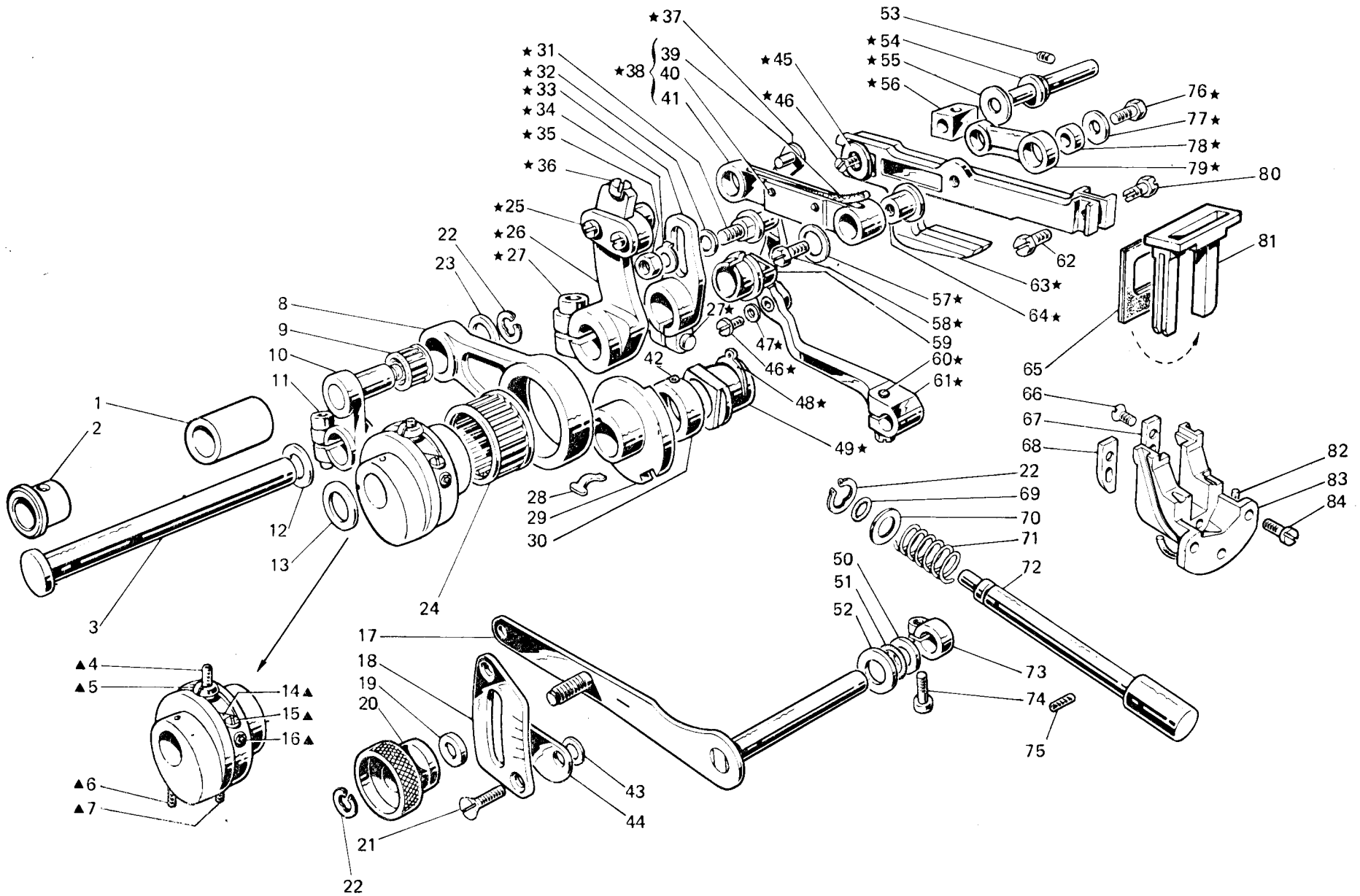


Fig. N. Abb. N.	Part. N. Piece N. Bestell N. Pieza N.	Qt. Anzahl	DESCRIZIONE	DESCRIPTION	DESCRIPTION	BENENNUNG	DESCRIPCION
48	201610-0-01	1	anello elastico	spring ring	anneau ressort		
49	206617-0-00	1	blocchetto	block	bloc		
50	704829-0-00	1	rondella	washer	rondelle		
51	701007-0-00	1	anello di tenuta	retainer ring	bague d'étanchéité		
52	705230-0-00	1	rondella	washer	rondelle		
53	202478-0-10	1	vite	screw	vis		
54	206613-0-00	1	perno eccentrico	eccentric pin	pivot excentrique		
55	705408-0-00	1	rondella	washer	rondelle		
56	202033-0-10	1	blocchetto	block	bloc		
57	705008-0-00	1	rondella	washer	rondelle		
58	206588-0-00	1	vite	screw	vis		
59	206619-0-00	1	vaschetta olio	oil sump	cuvette huile		
60	740053-2-00	1	vite	screw	vis		
61	207711-2-10	1	braccio reg. differenziale	differential arm	bras reg. différentiel		
62	202489-0-10	1	vite	screw	vis		
63	207942-3-00	1	gruppo slitta	slide assembly	groupe glissière		
64	206586-0-01	1	bussola per biellino	bush	bague		
65	207944-0-00	2	guarnizione raschia olio	gasket	garniture		
66	744512-4-00	2	vite	screw	vis		
67	207947-0-00	1	piastrina	plate	plaque		
68	207945-0-00	1	piastrina	plate	plaque		
69	701004-0-00	1	anello	ring	anneau		
70	704314-2-00	1	rondella	washer	rondelle		
71	202408-0-10	1	molla	spring	ressort		
72	207070-0-00	1	pulsante reg. punto	push-button	poussoir		
73	100620-2-10	1	morsetto con vite	clamp with screw	collier de serrage avec vis		
74	741745-2-00	1	vite	screw	vis		
75	729032-2-00	1	vite	screw	vis		
76	202490-0-10	1	vite	screw	vis		
77	705208-0-00	1	rondella	washer	rondelle		
78	202032-0-11	1	bussolina	bush	bague		
79	206583-0-00	1	biellino	con-rod	petite bielle		
80	202488-0-10	1	vite	screw	vis		
81	207946-0-00	1	telaio raschia olio	oil scraper frame	râcheur huile		
82	207948-0-00	1	guarnizione	gasket	garniture		
83	207943-2-00	1	guida slitta	slide guide	guide coulissant		
84	722063-2-00	3	vite	screw	vis		

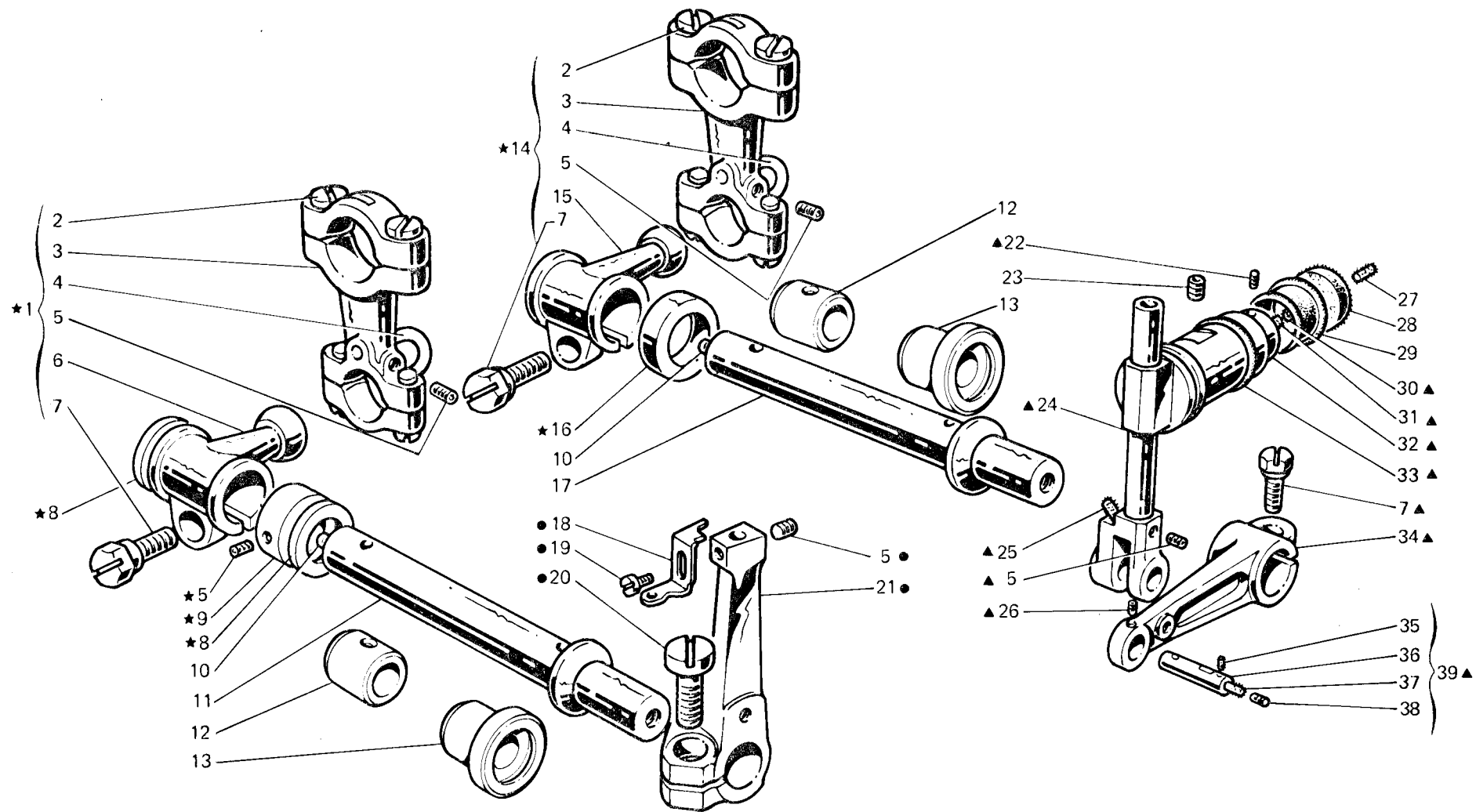


Fig. N. Abb. N.	Part. N. Bestell N. Piece N. Pieza N.	Qt. Anzahl	DESCRIZIONE	DESCRIPTION	DESCRIPTION	BENENNUNG	DESCRIPCION
★	206396-4-01	1	gruppo manicotti com. crochet	looper control coupling assembly	groupe manchon comm. crochet		
▲	206416-4-00	1	gruppo comando crochet sup.	upper looper control assembly	groupe commande crochet sup.		
●	208039-4-00	1	gruppo porta crochet inferiore	lower looper assembly	groupe porte crochet inférieur		
1	206454-4-01	1	gruppo manicotto con biella	coupling assembly with con-rod	groupe manchon avec bielle		
2	743243-2-00	8	vite per biella	screw	vis		
3	202071-2-20	1	biella con viti	con-rod with screw	bielle avec vis		
4	206643-0-01	2	cavallotto	coupling	cavalier		
5	745812-2-00	6	vite	screw	vis		
6	206660-2-02	1	manicotto	coupling	manchon		
7	201128-0-10	3	vite	screw	vis		
8	704848-0-00	2	rondella	washer	rondelle		
9	206606-2-00	1	anello con viti	ring	bague		
10	206695-0-00	2	tappo per albero	plug for shaft	bouchon pour arbre		
11	207096-2-00	1	albero crochet inferiore	shaft lower looper	arbre crochet inférieur		
12	206651-0-00	2	bussola	bush	bague		
13	202065-0-20	2	bussola	bush	bague		
14	206452-4-00	1	gruppo manicotto con biella	coupling with con-rod	groupe manchon avec bielle		
15	206658-2-02	1	manicotto	coupling	manchon		
16	704847-0-00	1	rondella	washer	rondelle		
17	207095-2-00	1	albero crochet superiore	upper looper shaft	arbre crochet supérieur		
18	208015-0-00	1	squadretta	bracket	équerre		
19	741415-0-00	1	vite	screw	vis		
20	721883-0-00	1	vite	screw	vis		
21	206654-2-10	1	porta crochet inf.	lower looper holder	porte crochet inférieur		
22	745800-2-00	1	vite	screw	vis		
23	745168-0-00	1	vite	screw	vis		
24	206411-3-00	1	guida oscillante	oscillating guide	guide oscillant		
25	778403-0-00	1	stoppino	wick	mèche		
26	745810-2-00	1	vite	screw	vis		
27	778236-0-00	1	stoppino	wick	mèche		
28	206686-0-00	1	disco lubrificazione guida	disc	disque		
29	202720-0-00	1	paraolio	oil retainer	pare-huile		
30	778405-0-00	1	stoppino	wick	mèche		
31	778410-0-00	1	stoppino	wick	mèche		
32	202062-2-10	1	anello con vite	ring with screw	anneau avec vis		
33	701113-0-00	1	anello di tenuta	circlip	circlip		
34	206652-2-01	1	braccio	arm	bras		
35	778202-0-00	4	stoppino	wick	mèche		
36	202086-0-11	1	spina	pin	goupille		
37	778401-0-00	1	stoppino	wick	mèche		
38	745002-0-00	1	vite	screw	vis		
39	206645-4-01	1	spina completa	pin assembly	goupille compl.		

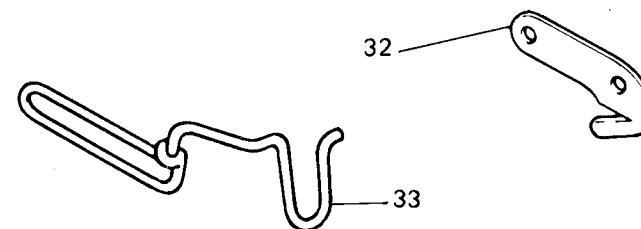
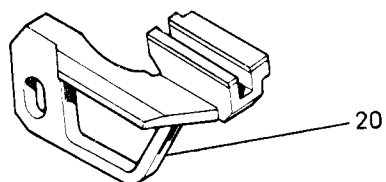
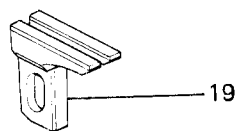
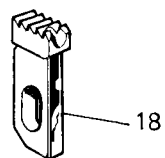
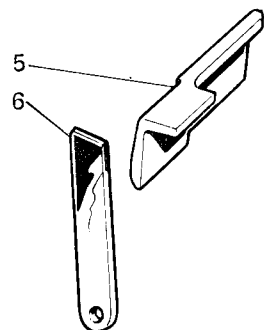
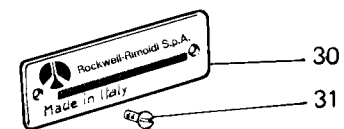
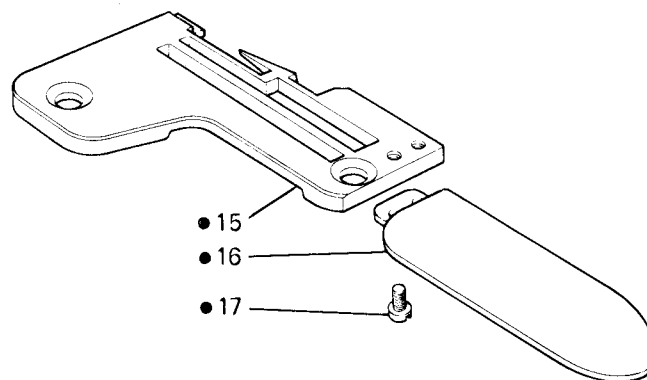
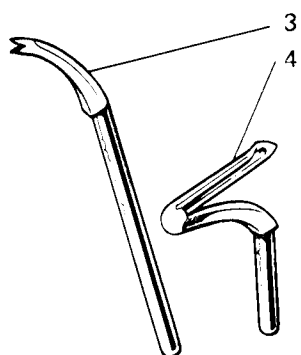
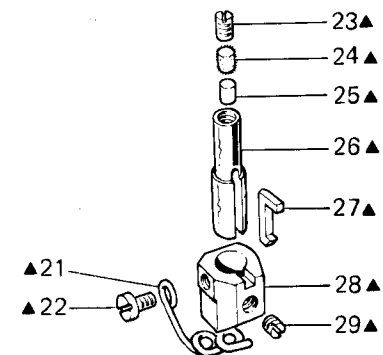
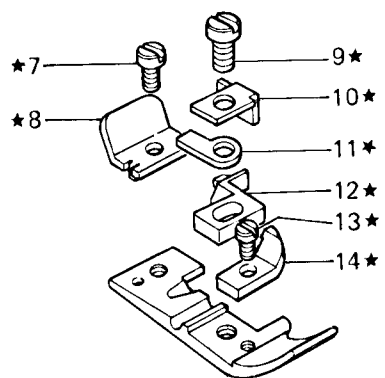
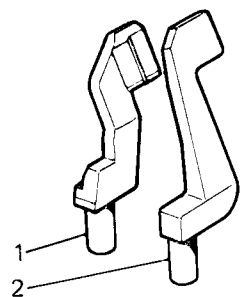


Fig. N. Abb. N.	Part. N. Piecce N. Bestell N. Pieza N.	Qt. Anzahl	DESCRIZIONE	DESCRIPTION	DESCRIPTION	BENENNUNG	DESCRIPCION
▲	208060-4-00	1	sportello anteriore completo	front cover assembly		carter avant complet	
1	207961-0-00	1	carterino	cover		carter	
2	744634-2-00	3	vite	screw		vis	
3	208164-0-00	1	molla	spring		ressort	
4	301608-0-00	1	tappo	plug		bouchon	
5	778832-0-00	1	stoppino	wick		mèche	
6	208031-2-00	1	carter laterale	side cover		carter latéral	
7	742838-2-00	1	vite	screw		vis	
8	778833-0-00	1	stoppino	wick		mèche	
9	778417-0-00	1	stoppino	wick		mèche	
10	207069-0-01	1	vite per carter laterale	screw		vis	
11	721435-2-00	1	vite	screw		vis	
12	730023-2-00	1	vite	screw		vis	
13	206734-2-00	1	morsetto con viti	clamp with screw		collier de serrage avec vis	
14	208080-2-00	1	sportello scorrevole	sliding cover		carter coulissant	
15	206756-0-01	1	cerniera	hinge		charnière	
16	746208-2-00	1	dado	nut		écrou	
17	206769-0-10	1	vite di regolazione	adjustment screw		vis de réglage	
18	207071-0-00	1	cappuccio protez. filetto	protection cap		capuchon de protection	
19	746007-2-00	1	dado	nut		écrou	
20	202214-0-11	1	vite	screw		vis	
21	207856-0-00	1	gommino	dumper		caoutchouc	
22	206764-0-00	1	zoccolo	block		socle	
23	206768-0-00	1	molla	spring		ressort	
24	741724-0-00	4	vite	screw		vis	
25	206690-2-00	1	ventola di raffreddamento	cooling fan		ventilateur	
26	206688-0-00	1	coclea per ventola	scroll		palier	
27	207858-0-00	1	sportello ribaltabile	tipping cover		carter amovible	
28	745800-2-00	1	vite	screw		vis	
29	206767-0-00	1	perno	pin		pivot	
30	722063-2-00	1	vite per coperchio	screw		vis	
31	206685-0-00	1	coperchio cinghia	cover		couvercle	
32	202484-0-10	4	vite	screw		vis	
33	206687-2-00	1	coperchio coclea	scroll cover		couvercle palier	

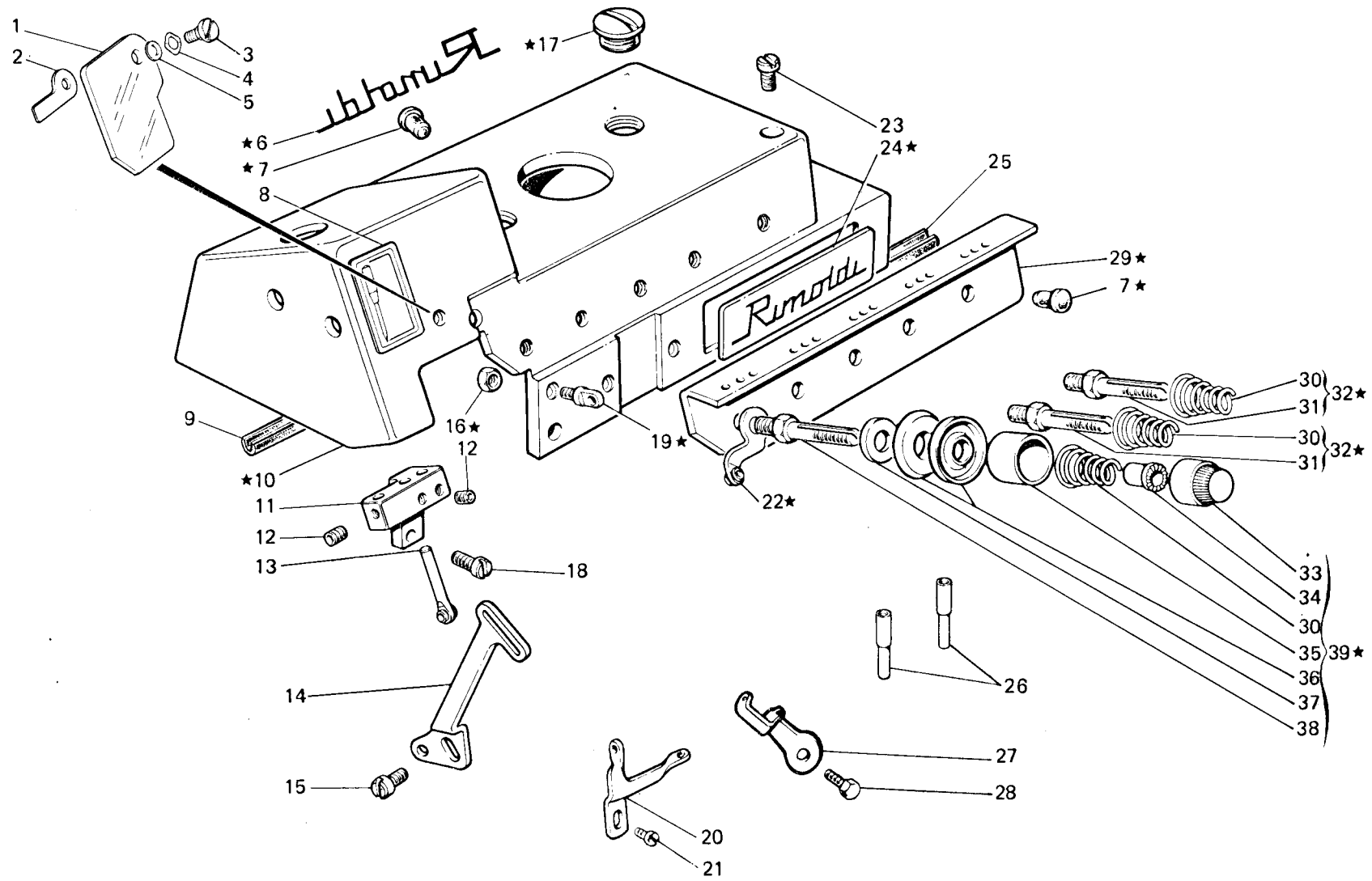


Fig. N. Abb. N.	Part. N. Bestell N. Piece N. Pieza N.	Qt. Anzahl	DESCRIZIONE	DESCRIPTION	DESCRIPTION	BENENNUNG	DESCRIPCION
▲	204915-4-13	1	pieghettatore completo	folding device	disp. du plissage		
1	203193-2-10	1	squadretta di fermo	bracket	équerre		
2	721443-2-00	1	vite	screw	vis		
3	720431-2-00	2	vite	screw	vis		
4	208058-0-00	1	leva pieghettatore	folding lever	levier du plissage		
5	204964-0-00	1	piastrina	sheet	plaquette		
6	205468-0-00	1	lamina	sheet	plaque		
	205469-0-00	1	lamina	sheet	plaque		
7	729013-2-00	1	vite	screw	vis		
8	200699-0-10	1	pomolo	knob	pommeau		
9	700205-0-00	1	anello	ring	anneau		
10	200074-0-10	1	bussola	bush	bague		
11	204937-0-10	1	molla	spring	ressort		
12	200821-0-10	1	scodellino	cup	cuvette		
13	200698-0-10	1	perno	pin	pivot		
14	204926-0-10	1	leva	lever	levier		
15	204914-0-10	1	corpo pieghettatore	folding device body	corps du plissage		
16	721434-2-00	4	vite	screw	vis		
17	204924-2-10	1	leva	lever	levier		
18	206909-0-00	1	leva	lever	levier		
19	202100-0-10	1	spina	pin	goupille		
20	744533-0-00	2	vite	screw	vis		
21	204935-0-10	1	piastrina	plate	plaquette		
22	204938-0-10	1	molla	spring	ressort		
23	204936-0-10	1	puntale	pin	pivot		
24	746021-2-00	2	dado	nut	écrou		
25	704216-2-00	1	rondella	washer	rondelle		
26	204927-0-10	1	sostegno	support	support		
27	704424-2-00	1	rondella	washer	rondelle		
28	204934-0-10	1	vite a perno	screw	vis		
29	741675-2-00	2	vite	screw	vis		
30	204918-0-10	1	perno	pin	pivot		

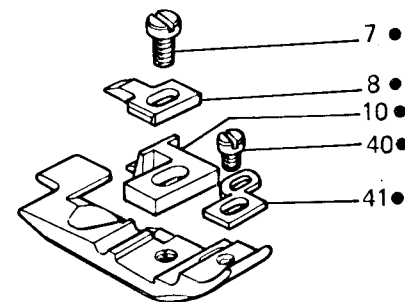
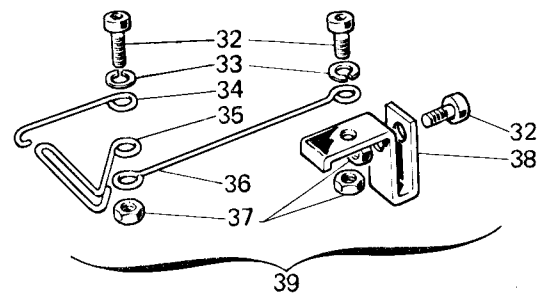
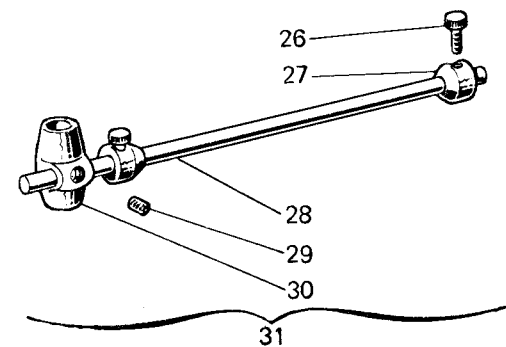
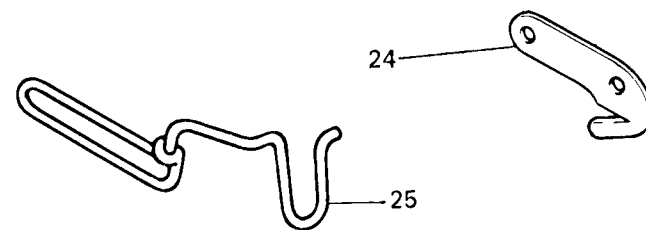
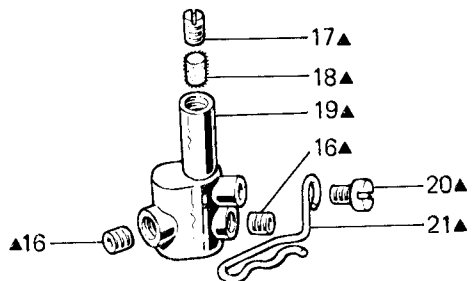
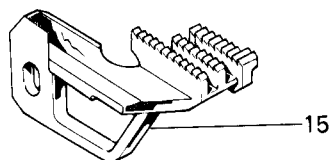
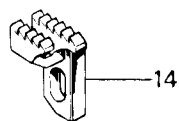
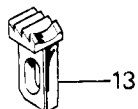
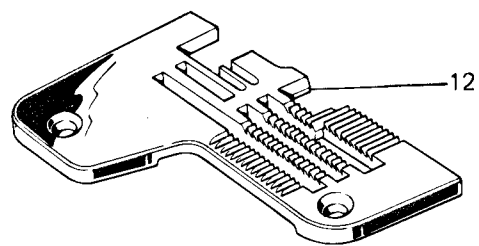
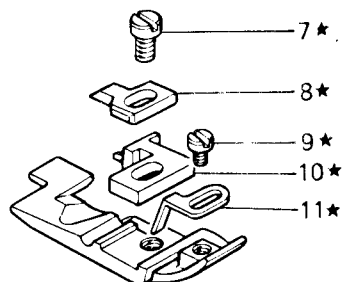
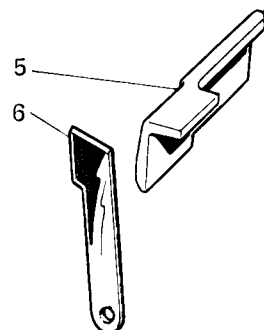
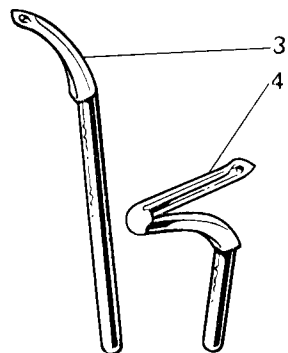
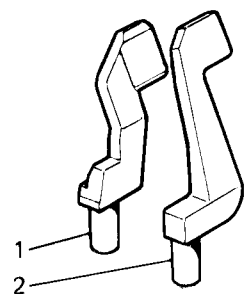


Fig. N. Abb. N.	Part. N. Pieça N. Bestell N. Pieza N.	Qt. Anzahl	DESCRIZIONE	DESCRIPTION	DESCRIPTION	BENENNUNG	DESCRIPCION
★	204028-3-11	1	piedino completo	presserfoot assembly	pied-presseur complet		
▲	207512-4-00	1	morsetto porta aghi compl.	needles clamp assembly	porte-aiguilles complet		
1	207994-0-00	1	salva ago	rear needle guard	protège-aiguille		
2	207997-0-00	1	spingi asola	front needle guard	pare-boucle		
3	206209-0-00	1	crochet superiore	upper looper	crochet supérieur		
4	202095-0-11	1	crochet inferiore	lower looper	crochet inférieur		
5	203010-0-10	2	coltello superiore	upper knife	couteau supérieur		
6	203012-0-10	1	coltello inferiore	lower knife	couteau inférieur		
7	741675-2-00	1	vite	screw	vis		
8	203772-0-11	1	staffa	bracket	bride		
9	741519-2-00	1	vite	screw	vis		
10	203569-0-11	1	linguetta	tongue	languette		
11	204020-0-11	1	piastrina	plate	plaque		
12	204026-0-11	1	placca ago larg. costa 7 mm	needle plate width bight 7 mm	plaque à aiguille larg. surjet 7 mm		
13	203612-0-10	1	griffino	feed dog	petite griffe		
14	203609-0-10	1	griffa sussidiaria	subsidiary feed dog	griffe subsidiaire		
15	206298-0-00	1	griffa principale	main feed dog	griffe principale		
16	745810-2-00	2	vite	screw	vis		
17	727021-0-00	1	vite	screw	vis		
18	778206-0-00	1	stoppino	wick	mèche		
19	207522-2-00	1	morsetto porta aghi	needles clamp	porte-aiguilles		
20	741415-2-00	1	vite	screw	vis		
21	207542-0-00	1	guidafilo	thread guide	guide-fil		
22	780200-0-40	1	targhetta classe testa	head class plate	plaque classe tête		
23	202165-0-10	2	vite	screw	vis		
24	202194-0-10	1	piastrina	plate	plaque		
25	990694-0-00	1	salvadita	protection	protection		
26	990596-0-10	2	vite	screw	vis		
27	990594-2-00	2	anello di registro	adjustment ring	bague de réglage		
28	991226-0-00	1	asta	rod	tige		
29	729024-2-00	2	vite	screw	vis		
30	991153-2-00	1	supporto	support	support		
31	991228-4-00	1	portarotolo completo	roll carrier assembly	porte-rouleau complet		
32	722420-2-00	3	vite	screw	vis		
33	703003-2-00	2	rondella elastica	spring washer	rondelle élastique		
34	991222-0-00	1	asta di regolazione	adjustment rod	tige de réglage		
35	991221-0-00	1	guida fettuccia	guide	guide		
36	991220-0-00	1	asta centrale	central rod	tige centrale		
37	746003-0-00	3	dado	nut	écrou		
38	991223-0-00	1	supporto	support	support		
39	991225-4-00	1	guida fettuccia completa	guide assembly	guide complet		
			SOLO A RICHIESTA	ONLY ON REQUEST	SEULEMENT SUR DEMANDE		
●	203618-3-11	1	piedino completò	presserfoot assembly	pied-presseur complet		
5	207002-2-00	1	coltello superiore	upper knife	couteau supérieur		
6	207016-2-00	1	coltello inferiore	lower knife	couteau inférieur		
12	203547-0-11	1	placca ago larg. costa 8 mm	needle plate width bight 8 mm	plaque à aiguille larg. surjet 8 mm		
	203578-0-11	1	placca ago larg. costa 5,5 mm	needle plate width bight 5,5 mm	plaque à aiguille larg. surjet 5,5 mm		
14	203540-0-10	1	griffa sussidiaria	subsidiary feed dog	griffe subsidiaire		
	203611-2-11	1	griffa sussidiaria	subsidiary feed dog	griffe subsidiaire		

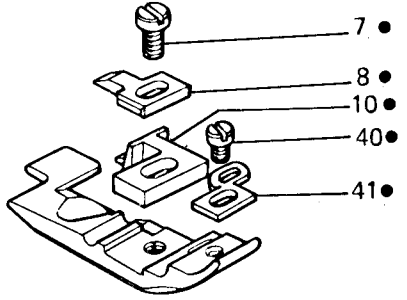
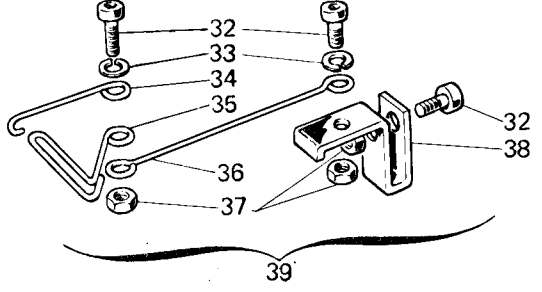
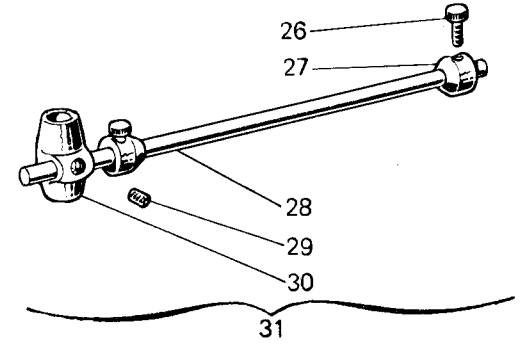
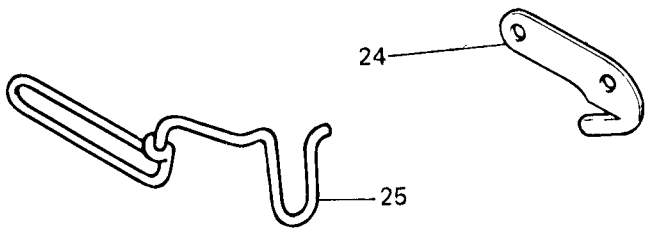
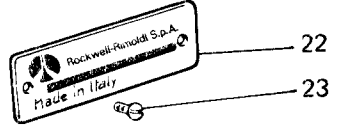
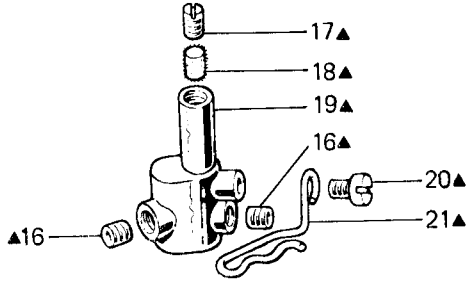
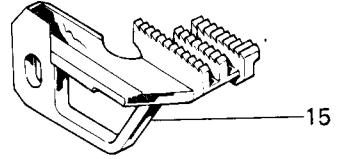
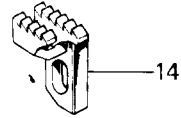
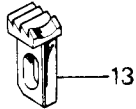
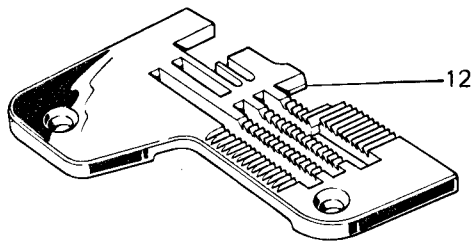
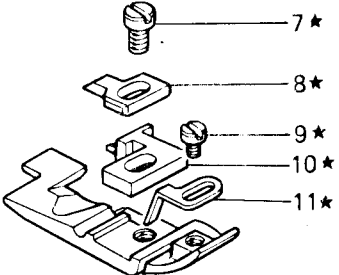
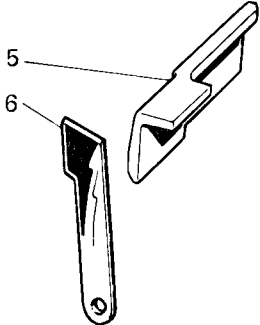
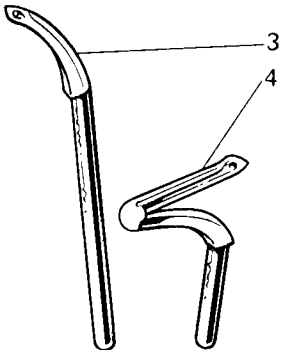
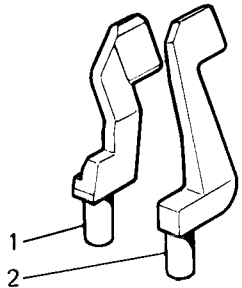


Fig. N. Abb. N.	Part. N. Piece N. Bestell N. Pieza N.	Qt. Anzahl	DESCRIZIONE	DESCRIPTION	DESCRIPTION	BENENNUNG	DESCRIPCION
15	203607-2-11	1	griffa principale	main feed dog	griffe principale		
40	203651-0-11	1	griffa principale	main feed dog	griffe principale		
41	741612-2-00	1	vite	screw	vis		
41	203613-0-11	1	piastrina	plate	plaque		
27	<u>Tav. 3</u> 203027-0-10	1	tendifilo crochet superiore	upper looper thread take-up	tendeur du fil crochet sup.		
28	203133-0-10	1	tendifilo crochet inf.	lower looper thread take-up	tendeur du fil crochet inf.		
41	203136-0-10	1	tendifilo crochet inf.	lower looper thread take-up	tendeur du fil crochet inf.		

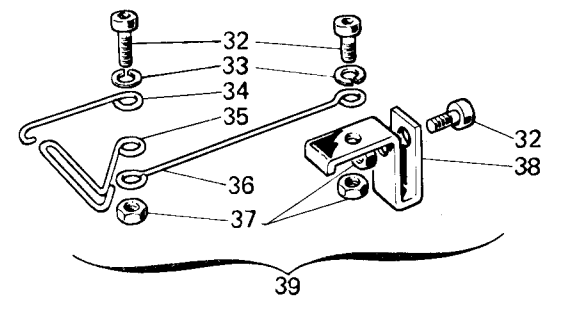
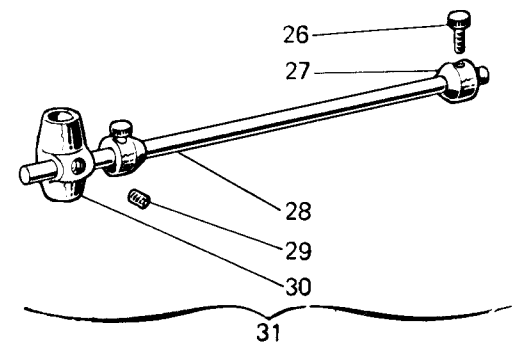
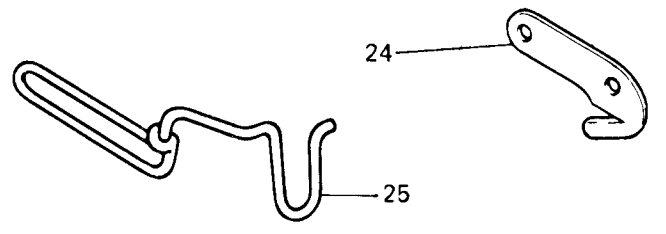
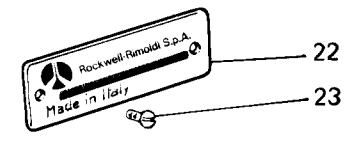
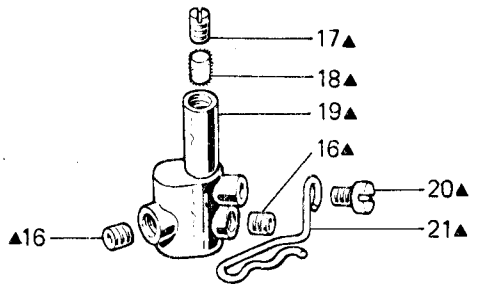
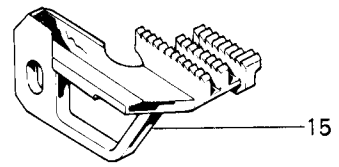
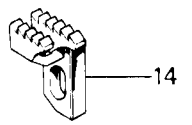
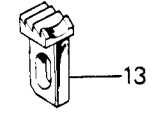
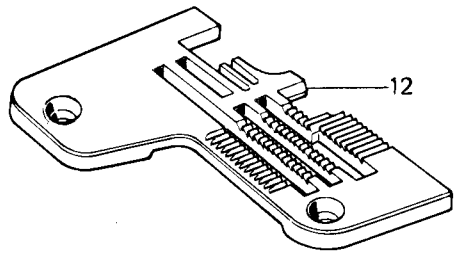
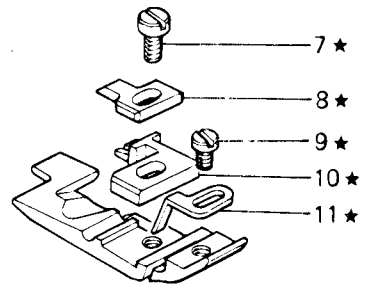
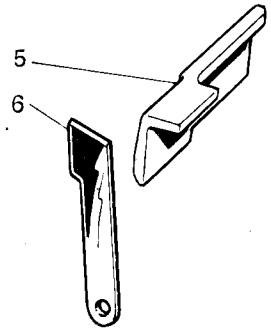
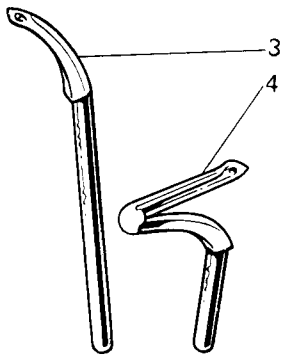
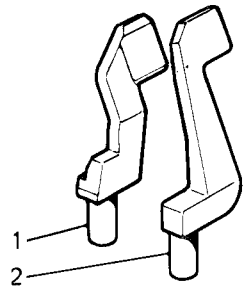


Fig. N. Abb. N.	Part. N. Piec. N. Bestell N. Pieza N.	Qt. Anzahl	DESCRIZIONE	DESCRIPTION	DESCRIPTION	BENENNUNG	DESCRIPCION
★	204010-3-11	1	piedino completo	presserfoot assembly	pied-presseur complet		
▲	207513-2-00	1	morsetto porta aghi compl.	needles clamp assembly	porte-aiguilles complet		
1	207993-0-00	1	salva ago	rear needle guard	protège-aiguille		
2	207996-0-00	1	spingi asola	front needle guard	pare-boucle		
3	204021-0-10	1	crochet superiore	upper looper	crochet supérieur		
4	202095-0-11	1	crochet inferiore	lower looper	crochet inférieur		
5	203010-0-10	1	coltello superiore	upper knife	couteau supérieur		
6	203012-0-10	1	coltello inferiore	lower knife	couteau inférieur		
7	741675-2-00	1	vite	screw	vis		
8	203772-0-11	1	staffa	bracket	bride		
9	204011-0-11	1	linguetta	tongue	languette		
10	741519-2-00	1	vite	screw	vis		
11	204020-0-11	1	piastrina	plate	plaque		
12	204006-0-11	1	placca ago larg. costa 5,5 mm	needle plate width bight 5,5 mm	plaque à aiguille larg. surjet 5,5 mm		
13	203612-0-10	1	griffino	feed dog	petite griffe		
14	203609-0-10	1	griffa sussidiaria	subsidiary feed dog	griffe subsidiaire		
15	206298-0-00	1	griffa principale	main feed dog	griffe principale		
16	745810-2-00	2	vite	screw	vis		
17	727021-0-00	1	vite	screw	vis		
18	778206-0-00	1	stoppino	wick	mèche		
19	207523-2-00	1	morsetto porta aghi	needles clamp	porte-aiguilles		
20	741415-2-00	1	vite	screw	vis		
21	207542-0-00	1	guidafilo	thread guide	guide-fil		
22	780200-0-40	1	targhetta classe testa	head class plate	plaque classe tête		
23	202165-0-10	2	vite	screw	vis		
24	202194-0-10	1	piastrina	plate	plaque		
25	990694-0-00	1	salvadita	protection	protection		
26	990596-0-10	2	vite	screw	vis		
27	990594-2-00	2	anello di registro	adjustment ring	bague de réglage		
28	991226-0-00	1	asta	rod	tige		
29	729024-2-00	2	vite	screw	vis		
30	991153-2-00	1	supporto	support	support		
31	991228-4-00	1	portarotolo completo	roll carrier assembly	porte-rouleau complet		
32	722420-2-00	3	vite	screw	vis		
33	703003-2-00	2	rondella elastica	spring washer	rondelle élastique		
34	991222-0-00	1	asta di regolazione	adjustment rod	tige de réglage		
35	991221-0-00	1	guida fettuccia	guide	guide		
36	991220-0-00	1	asta centrale	central rod	tige centrale		
37	746003-0-00	3	dado	nut	écrou		
38	991223-0-00	1	supporto	support	support		
39	991225-4-00	1	guida fettuccia completa	guide assembly	guide complet		
			SOLO A RICHIESTA	ONLY ON REQUEST	SEULEMENT SUR DEMANDE		
5	207002-2-00	1	coltello superiore	upper knife	couteau supérieur		
6	207016-2-00	1	coltello inferiore	lower knife	couteau inférieur		
12	204007-0-11	1	placca ago larg. costa 6,5 mm	needle plate width bight 6,5 mm	plaque à aiguille larg. surjet 6,5 mm		
	204012-0-11	1	placca ago larg. costa 4 mm	needle plate width bight 4 mm	plaque à aiguille larg. surjet 4 mm		
	205650-0-01	1	placca ago larg. costa 7,5 mm	needle plate width bight 7,5 mm	plaque à aiguille larg. surjet 7,5 mm		
14	203540-0-10	1	griffa sussidiaria	subsidiary feed dog	griffe subsidiaire		
	203611-2-11	1	griffa sussidiaria	subsidiary feed dog	griffe subsidiaire		

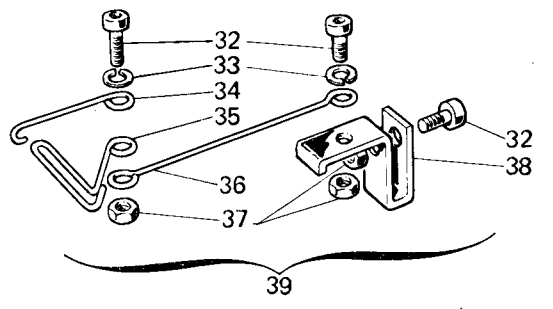
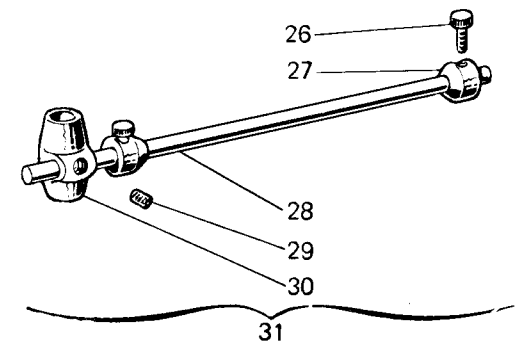
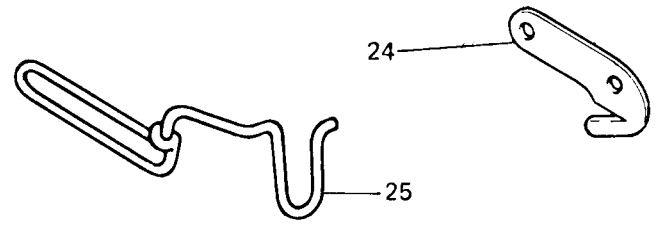
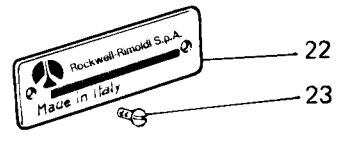
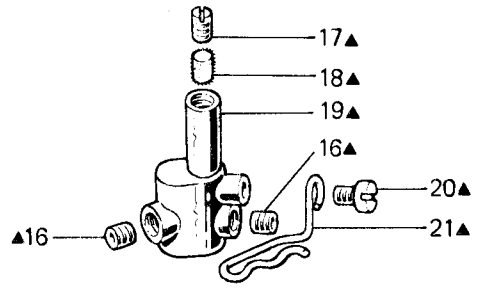
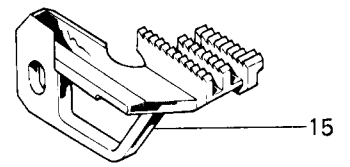
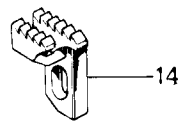
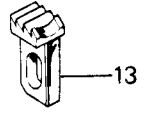
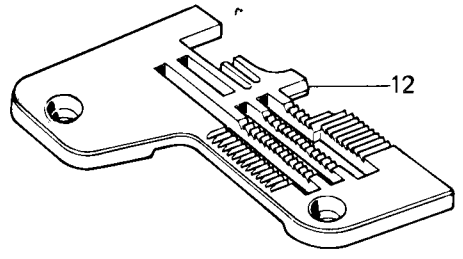
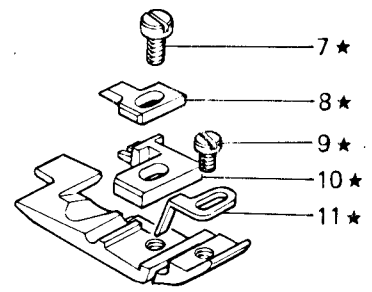
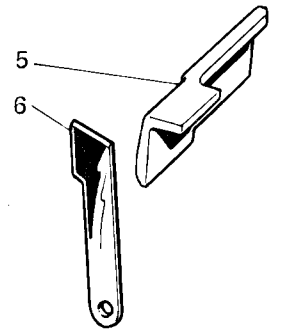
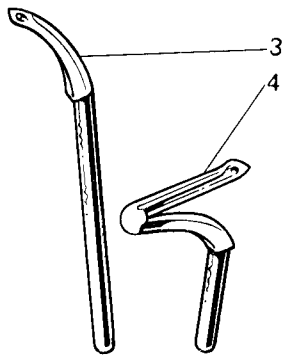
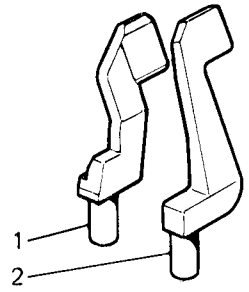


Fig. N. Abb. N.	Part. N. Bestell N. Piece N. Pieza N.	Ct. Anzahl	DESCRIZIONE	DESCRIPTION	DESCRIPTION	BENENNUNG	DESCRIPCION
15	203607-2-11 203651-0-11 203668-0-11	1 1 1	griffa principale griffa principale griffa principale	main feed dog main feed dog main feed dog	griffe principale griffe principale griffe principale		
14	<u>Tav. 3</u> 788000-0-01	1	decalcomania sist. aghi	needles syst. decalcomania	décalcomanie syst. aiguilles		
27	203027-0-10	1	tendifilo crochet sup.	upper looper thread take-up	tendeur du fil crochet sup.		
28	203133-0-10	1	tendifilo crochet inf.	lower looper thread take-up	tendeur du fil crochet inf.		
40	203136-0-10	1	tendifilo crochet inf.	lower looper thread take-up	tendeur du fil crochet inf.		
	<u>Tav. 6</u>						
★	206393-4-00	1	gruppo manicotti com. crochet	control looper assembly	groupe manchon comm. crochet		
▲	206417-4-00	1	gruppo comando crochet sup.	upper looper control ass.	groupe comm. crochet supérieur		
11	206452-4-00	1	gruppo manicotto con biella	coupling ass. with con-rod	groupe manchon avec bielle		
12	206658-2-02	1	manicotto	coupling	manchon		
13	704848-0-00	1	rondella	washer	rondelle		
21	206412-3-00	1	guida oscillante	guide	guide		
	<u>Tav. 7</u>						
23	765000-6-90	2	ago RIM 26 fin. 90	needle RIM 26 size 90	aiguille RIM 26 jauge 90		

Fig. N. Abb. N.	Part. N. Bestell N. Piese N. Pieza N.	Qt. Anzahl	DESCRIZIONE	DESCRIPTION	DESCRIPTION	BENENNUNG	DESCRIPCION
	<u>Tav. 4</u>						
▲	206704-4-01	1	albero princ. con cuscinetti	main shaft with bearing	arbre princ. avec coussinet		
2	206860-0-01	1	flangia sinistra	left flange	flasque gauche		
4	206701-2-01	1	albero principale	main shaft	arbre principal		
	<u>Tav. 5</u>						
21	206794-0-00	1	arresto reg. esterno	external retainer	butée réglable externe		
	<u>Tav. 6</u>						
★	206394-4-00	1	gruppo manicotti com. crochet	control looper assembly	groupe manchon comm. crochet		
▲	206422-4-00	1	gruppo comando crochet sup.	upper looper control ass.	groupe comm. crochet supérieur		
11	206450-4-00	1	gruppo manicotto con biella	coupling ass. with con-rod	groupe manchon avec bielle		
12	206648-2-02	1	manicotto	coupling	manchon		
13	704840-0-00	1	rondella	washer	rondelle		
21	206414-3-00	1	guida oscillante	oscillating guide	guide oscillant		
	<u>Tav. 7</u>						
23	765000-6-90	2	ago RIM 26 fin. 90	needle RIM 26 size 90	aiguille RIM 26 jauge 90		
40	206540-2-00	1	manovella alb. sup. con vite	con-rod with screw	bras arbre sup. avec vis		
	<u>Tav. 8</u>						
●	208138-4-00	1	gruppo supporto premistoffa	presser support assembly	groupe support pied-presseur		
43	202118-0-10	1	molla	spring	ressort		
	<u>Tav. 3</u>		PEZZI ANNULLATI	CANCELLED PARTS	PIECES ANNULEES		
	<u>Tav. 8</u>		ANNULLATA	CANCELLED	ANNULEE		
40	206882-0-00	1	distanziale	spacer	entretoise		
43	205021-0-10	1	molla	spring	ressort		
45	206771-0-12	1	squadretta ferma piedino	bracket	équerre		
46	704004-0-00	1	rondella	washer	rondelle		
47	741658-2-00	1	vite	screw	vis		

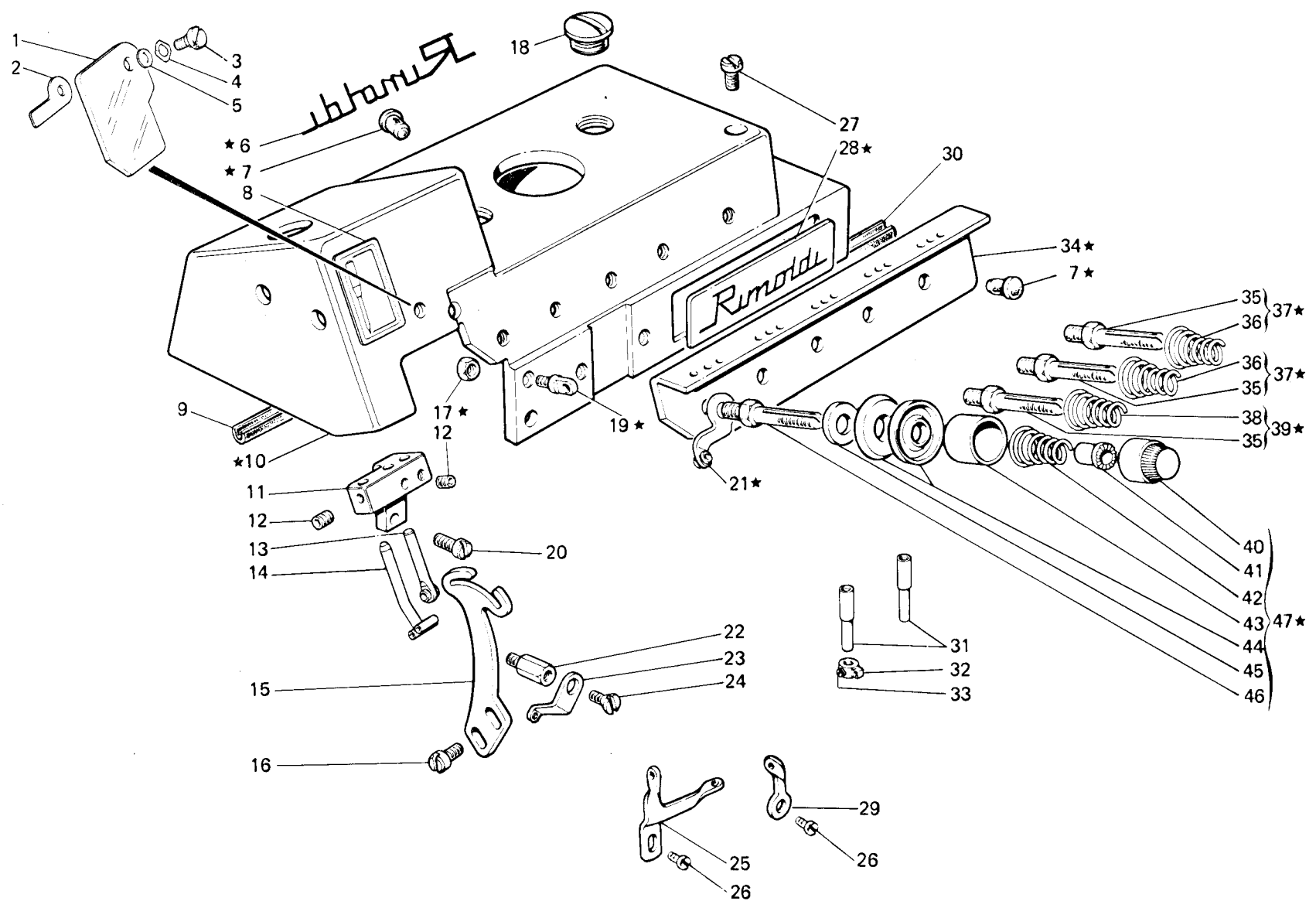


Fig. N. Abb. N.	Part. N. Bestell N. Piece N. Pieza N.	Qt. Anzahl	DESCRIZIONE	DESCRIPTION	DESCRIPTION	BENENNUNG	DESCRIPCION
★	208105-4-00	1	coperchio superiore completo	upper cover assembly	couvercle supérieur complet		
1	208221-0-00	1	piastrina protezione	plate	plaquette		
2	208222-0-00	1	piastrina	plate	plaquette		
3	208224-0-00	1	vite	screw	vis		
4	208220-0-00	1	anello elastico	spring ring	anneau ressort		
5	704630-0-00	1	rondella	washer	rondelle		
6	100305-0-10	1	decalcomania	decalcomania	décalcomanie		
7	207893-0-00	3	tappo	plug	bouchon		
8	788000-0-01	1	decalcomania sist. aghi	needles syst. decalcomania	décalcomanie syst. aiguilles		
9	208091-0-00	1	guarnizione	gasket	garniture		
10	207910-0-00	1	coperchio superiore	upper cover	couvercle supérieur		
11	207916-0-00	1	supporto passafili aghi	needles thread guide support	support passe-fil aiguilles		
12	745800-2-00	2	vite	screw	vis		
13	208184-2-00	1	passafilo	thread guide	passe-fil		
14	203647-2-13	1	passafilo	thread guide	passe-fil		
15	207871-0-00	1	tendifilo	thread take-up	tendeur du fil		
16	741558-0-00	2	vite	screw	vis		
17	733503-0-00	3	dado	nut	écrou		
18	207968-0-00	2	tappo	plug	bouchon		
19	206711-0-00	3	passafilo	thread guide	passe-fil		
20	741956-2-00	2	vite	screw	vis		
21	206713-2-00	1	passafilo	thread guide	passe-fil		
22	206755-0-00	1	colonnina	column	colonne		
23	202280-0-10	1	tendifilo crochet sup.	thread take-up	tendeur du fil		
24	741657-0-00	2	vite	screw	vis		
25	204035-0-10	1	passafilo crochet sup.	upper looper thread guide	passe-fil crochet supérieur		
26	744631-2-00	1	vite	screw	vis		
27	721484-2-00	3	vite fissa coperchio sup.	screw	vis		
28	207918-0-00	1	targhetta	plate	plaque		
29	300827-0-10	1	tendifilo crochet inf.	thread take-up	tendeur du fil		
30	208090-0-00	1	guarnizione	gasket	garniture		
31	206740-0-00	2	tubetto passafilo	thread guide pipe	tube passe-fil		
32	203135-2-10	1	passafilo con vite	thread guide with screw	passe-fil avec vis		
33	745002-0-00	1	vite	screw	vis		
34	207919-0-00	1	piastra passafili	plate	plaque		
35	206747-0-01	3	perno	pin	pivot		
36	202681-0-10	2	molla	spring	ressort		
37	206343-4-00	2	tensione completa	tension assembly	tension complète		
38	202228-0-10	1	molla	spring	ressort		
39	206342-4-00	1	tensione completa	tension assembly	tension complète		
40	202558-2-01	4	pomolo	knob	pommeau		
41	202229-0-10	4	bussola	bush	bague		
42	202227-0-10	1	molla	spring	ressort		
43	202556-0-01	4	scodellino	cup	cuvette		
44	300218-0-10	8	disco tensione	tension disc	disque tension		
45	206754-0-00	4	rondella	washer	rondelle		
46	208169-0-00	1	perno	pin	pivot		
47	208172-4-00	1	tensione completa	tension assembly	tension complète		

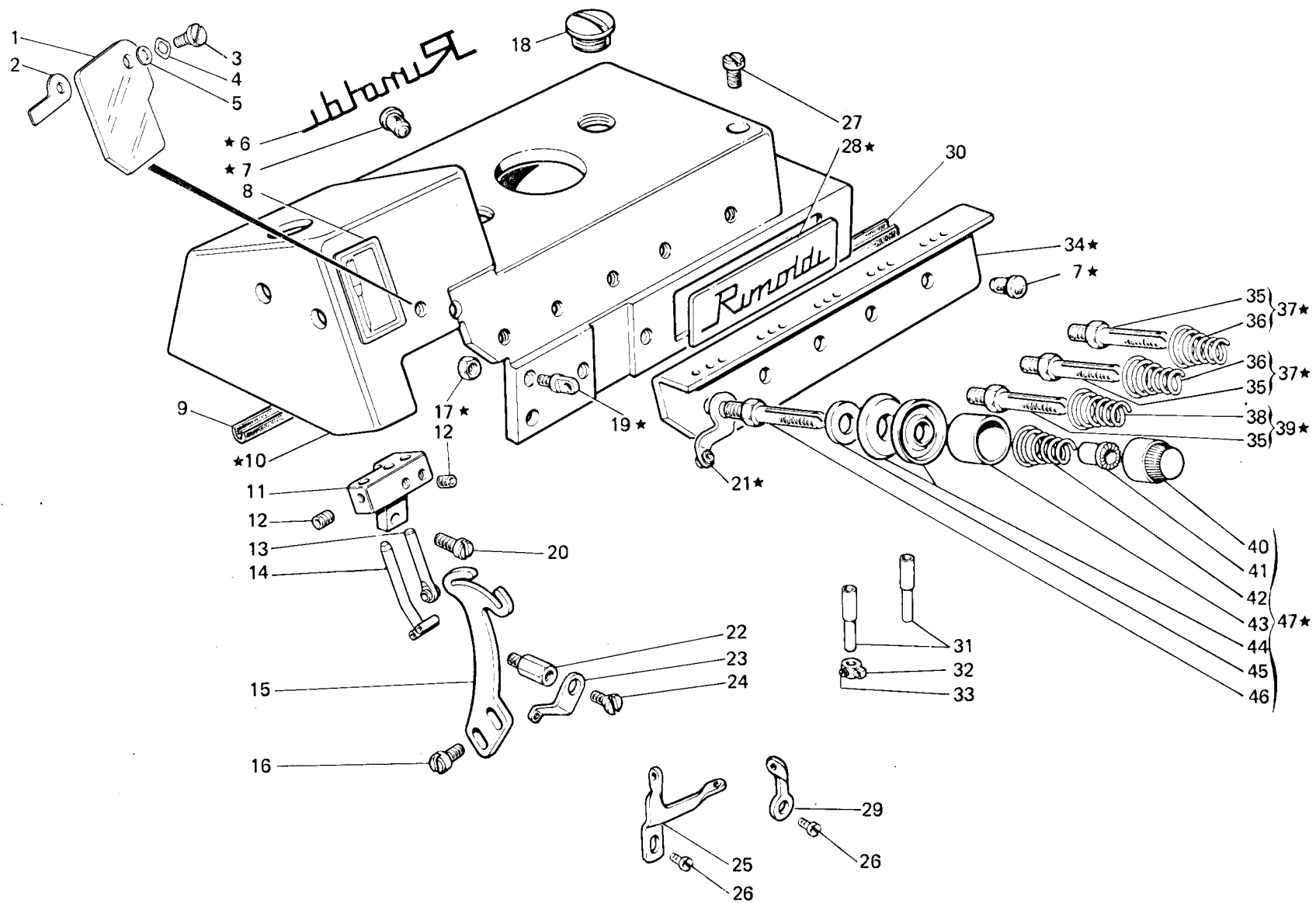


Fig. N. Abb. N.	Part. N. Piece N. Bestell N. Pieza N.	Qt. Anzahl	DESCRIZIONE	DESCRIPTION	DESCRIPTION	BENENNUNG	DESCRIPCION
—	208311-4-00	1	SOLO A RICHIESTA gruppo passafili	ONLY ON REQUEST thread guide assembly	SEULEMENT SUR DEMANDE groupe passe-fil		
13	208179-2-00	1	passafilo	thread guide	passe-fil		
14	208197-3-00	1	passafilo	thread guide	passe-fil		
17	733503-0-00	3	dado	nut	écrou		
19	208204-2-00	3	passafilo	thread guide	passe-fil		
21	208185-2-00	1	passafilo	thread guide	passe-fil		

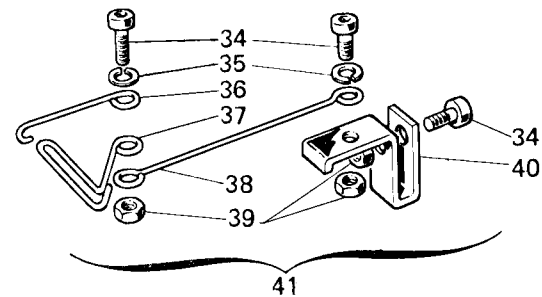
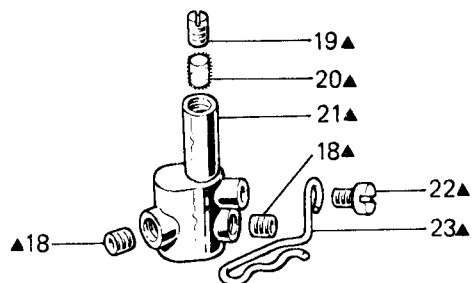
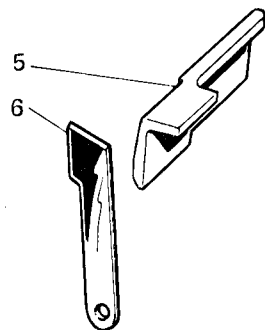
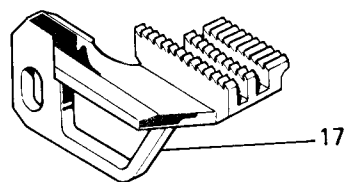
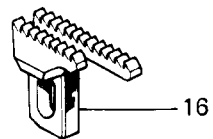
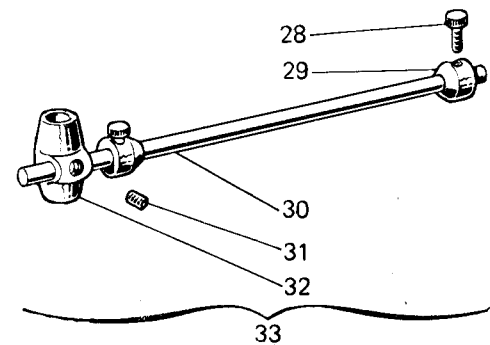
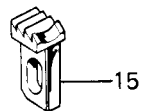
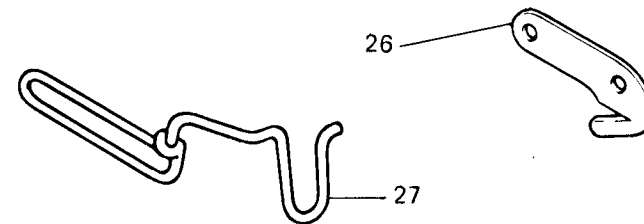
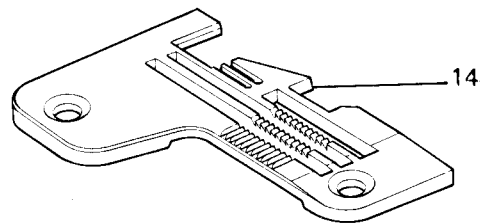
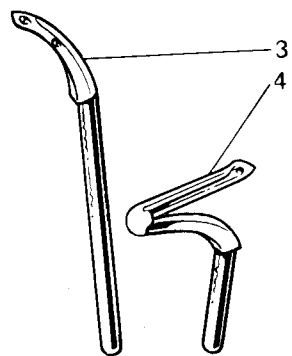
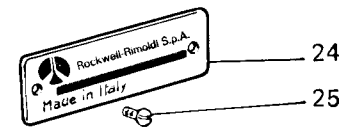
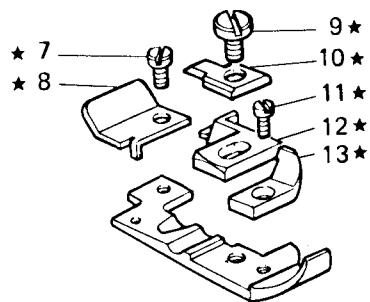
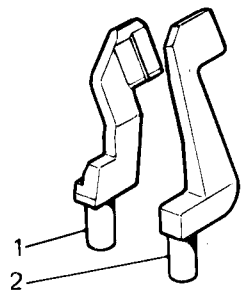


Fig. N. Abb. N.	Part. N. Piece N. Bestell N. Pieza N.	Qt. Anzahl	DESCRIZIONE	DESCRIPTION	DESCRIPTION	BENENNUNG	DESCRIPCION
★	207235-3-00	1	piedino completo	presserfoot assembly			
▲	207513-4-00	1	morsetto porta aghi completo	needles clamp assembly	pied-presseur complet		
1	207993-0-00	1	salva ago	rear needle guard	porte-aiguilles complet		
2	207996-0-00	1	spingi asola	front needle guard	protège-aiguille		
3	206309-0-00	1	crochet superiore	upper looper	pare-boucle		
4	202095-0-11	1	crochet inferiore	lower looper	crochet supérieur		
5	202143-0-10	2	coltello superiore	upper knife	crochet inférieur		
6	202146-0-10	2	coltello inferiore	lower knife	couteau supérieur		
7	741413-2-00	1	vite	screw	couteau inférieur		
8	203025-0-10	1	piastrina	plate	vis		
9	741675-2-00	1	vite	screw	plaque		
10	203772-0-11	1	staffa	bracket	vis		
11	207236-0-00	1	linguetta	tongue	bride		
12	741431-2-00	1	vite	screw	languette		
13	203112-0-11	1	blocchetto	block	vis		
14	207571-0-00	1	placca ago larg. costa 5,5 mm	needle plate width bight 5,5 mm	bloc		
15	203612-0-10	1	griffino	feed dog	plaque à aiguille larg. surjet 5,5 mm		
16	207243-0-00	1	griffa sussidiaria	subsidiary feed dog	petite griffe		
17	207193-0-00	1	griffa principale	main feed dog	griffe subsidiaire		
18	745810-2-00	2	vite	screw	griffe principale		
19	727021-0-00	1	vite	screw	vis		
20	778206-0-00	1	stoppino	wick	vis		
21	207523-2-00	1	morsetto porta aghi	needles clamp	mèche		
22	741415-2-00	1	vite	screw	porte-aiguilles		
23	207542-0-00	1	guidafilo	thread guide	vis		
24	780277-0-40	1	targhetta classe testa	head class plate	guide-fil		
25	202165-0-10	2	vite	screw	plaque classe tête		
26	202194-0-10	1	piastrina	plate	vis		
27	990694-0-00	1	salvadita	protection	plaque		
28	990596-0-10	2	vite	screw	protection		
29	990594-2-00	2	anello di registro	adjustment ring	screw		
30	991226-0-00	1	asta	rod	vis		
31	729024-2-00	2	vite	screw	bague de réglage		
32	991153-2-00	1	supporto	support	tige		
33	991228-4-00	1	portarotolo completo	roll carrier assembly	vis		
34	722420-2-00	3	vite	screw	support		
35	703003-0-00	2	rondella elastica	spring washer	porte-rouleau complet		
36	991222-0-00	1	asta di regolazione	adjustment rod	vis		
37	991221-0-00	1	guida fettuccia	guide	rondelle élastique		
38	991220-0-00	1	asta centrale	central rod	tige de réglage		
39	746003-0-00	3	dado	nut	guide		
40	991223-0-00	1	supporto	support	tige centrale		
41	991225-4-00	1	guida fettuccia completa	guide assembly	écrou		
			SOLO A RICHIESTA	ONLY ON REQUEST	SEULEMENT SUR DEMANDE		
3	206208-0-00	1	crochet superiore	upper looper	crochet supérieur		
4	202094-0-11	1	crochet inferiore	lower looper	crochet inférieur		
5	202142-0-10	1	coltello superiore	upper knife	couteau supérieur		
14	207241-0-01	1	placca ago larg. costa 5,5 mm	needle plate width bight 5,5 mm	plaque à aiguille larg. surjet 5,5 mm		
	207535-0-00	1	placca ago larg. costa 6 mm	needle plate width bight 6 mm	plaque à aiguille larg. surjet 6 mm		
	207536-0-00	1	placca ago larg. costa 4,5 mm	needle plate width bight 4,5 mm	plaque à aiguille larg. surjet 4,5 mm		

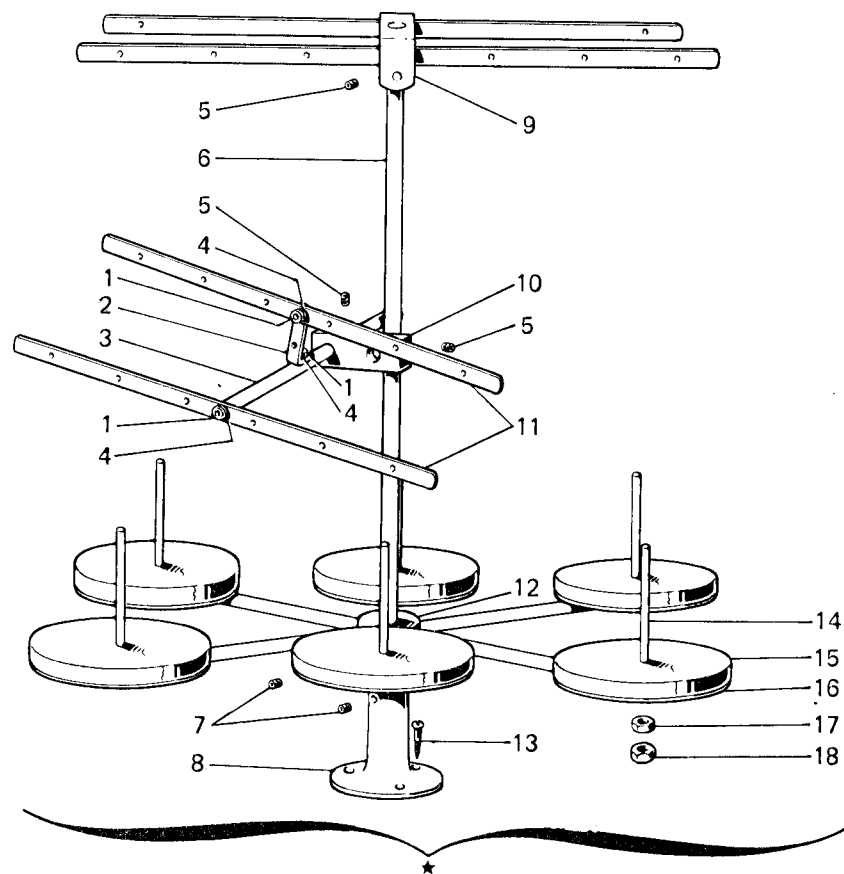


Fig. N. Abb. N.	Part. N. Piece N. Bestell N. Pieza N.	Qt. Anzahl	DESCRIZIONE	DESCRIPTION	DESCRIPTION	BENENNUNG	DESCRIPTION
★	991135-5-00	1	porta bobine compl. (5-6 fili)	bobbin carrier ass. (5-6 threads)	porte bobine compl. (5-6 fils)		
1	722431-2-00	3	vite	screw	vis		
2	991107-2-00	1	squadretta	bracket	équerre		
3	991106-2-00	1	asta	rod	tige		
4	703005-0-00	3	rondella	washer	rondelle		
5	729034-2-00	3	vite	screw	vis		
6	991113-0-00	1	asta principale	main rod	tige principale		
7	729054-2-00	3	vite	screw	vis		
8	991114-2-00	1	basetta con vite	base with screw	base avec vis		
9	991139-3-00	1	telaietto sup. completo	upper frame assembly	bâti supérieur complet		
10	991128-2-00	1	blocchetto	block	bloc		
11	991137-2-00	2	telaietto con bussole	frame with bush	bâti avec bagùe		
12	991144-3-00	1	mozzo con aste	hub with rods	moyeu avec tiges		
13	731107-2-00	3	vite da legno	screw	vis		
14	991111-2-00	6	astina	rod	tige		
15	991179-0-00	6	disco	disc	disque		
16	991112-0-00	6	piatto	disc	plateau		
17	733508-2-00	6	dado	nut	écrou		
18	925433-0-00	6	dado	nut	écrou		

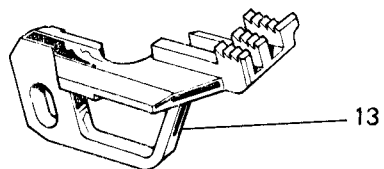
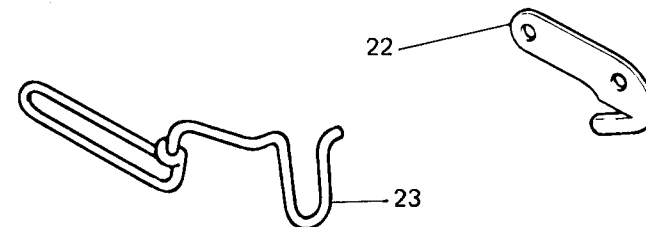
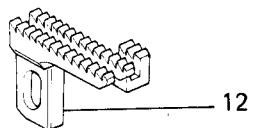
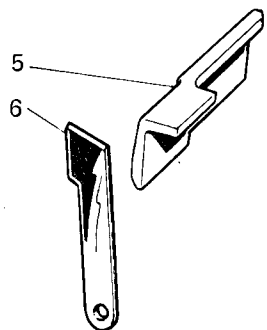
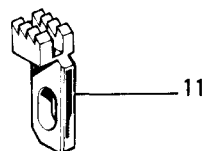
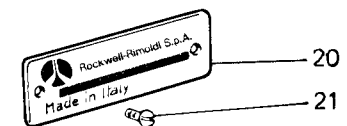
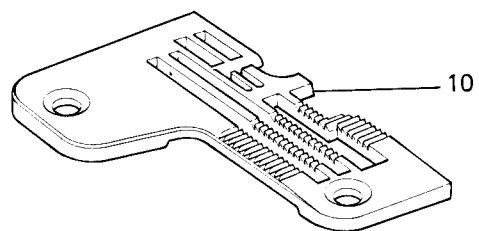
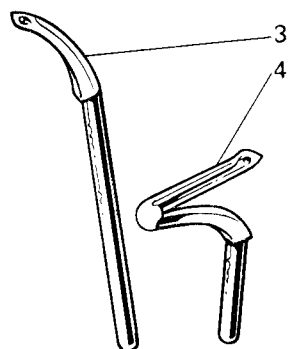
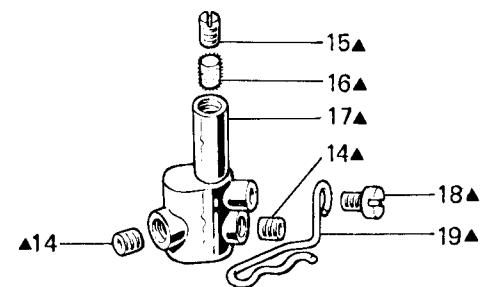
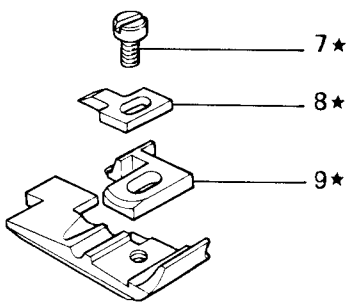
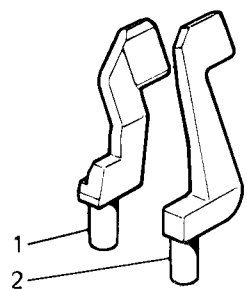


Fig. N. Abb. N.	Part. N. Bestell N. Piece N. Pieza N.	Qt. Anzahl	DESCRIZIONE	DESCRIPTION	DESCRIPTION	BENENNUNG	DESCRIPCION
★	206135-3-00	1	piedino completo	presserfoot assembly	pied-presseur complet		
▲	207512-4-00	1	morsetto porta aghi compl.	needles clamp assembly	porte-aiguilles complet		
1	207994-0-00	1	salva ago	rear needle guard	protège-aiguille		
2	207997-0-00	1	spingi à sola	front needle guard	pare-boucle		
3	206208-0-00	1	crochet superiore	upper looper	crochet supérieur		
4	202094-0-11	1	crochet inferiore	lower looper	crochet inférieur		
5	202932-0-10	1	coltello superiore	upper knife	couteau supérieur		
6	203012-0-10	1	coltello inferiore	lower knife	couteau inférieur		
7	741675-2-00	1	vite	screw	vis		
8	203772-0-11	1	staffa	bracket	bride		
9	206134-0-00	1	linguetta	tongue	languette		
10	206137-0-00	1	placca ago larg. costa 6 mm	needle plate width bight 6 mm	plaque à aiguille larg. surjet 6 mm		
11	203544-0-10	1	griffino	feed dog	petite griffe		
12	206139-0-00	1	griffa sussidiaria	subsidiary feed dog	griffe subsidiaire		
13	206138-0-00	1	griffa principale	main feed dog	griffe principale		
14	745810-2-00	2	vite	screw	vis		
15	727021-0-00	1	vite	screw	vis		
16	778206-0-00	1	stoppino	wick	mèche		
17	207522-2-00	1	morsetto porta aghi	needles clamp	plaque à aiguilles		
18	741415-2-00	1	vite	screw	vis		
19	207542-0-00	1	guidafilo	thread guide	guide-fil		
20	780365-0-40	1	targhetta classe testa	head class plate	plaque classe tête		
21	202165-0-10	2	vite	screw	vis		
22	202194-0-10	1	piastrina	plate	plaque		
23	990694-0-00	1	salvadita	protection	protection		
			SOLO A RICHIESTA	ONLY ON REQUEST	SEULEMENT SUR DEMANDE		
5	207001-2-00	1	coltello superiore	upper knife	couteau supérieur		
6	207016-2-00	1	coltello inferiore	lower knife	couteau inférieur		
10	206117-0-00	1	placca ago larg. costa 6 mm	needle plate width bight 6 mm	plaque à aiguille larg. surjet 6 mm		
	206118-0-00	1	placca ago larg. costa 5 mm	needle plate width bight 5 mm	plaque à aiguille larg. surjet 5 mm		
	206119-0-00	1	placca ago larg. costa 5 mm	needle plate width bight 5 mm	plaque à aiguille larg. surjet 5 mm		
30	Tav. 1 202398-0-10	1	PEZZI ANNULLATI tappo	CANCELLED PARTS plug	PIECES ANNULEES bouchon		

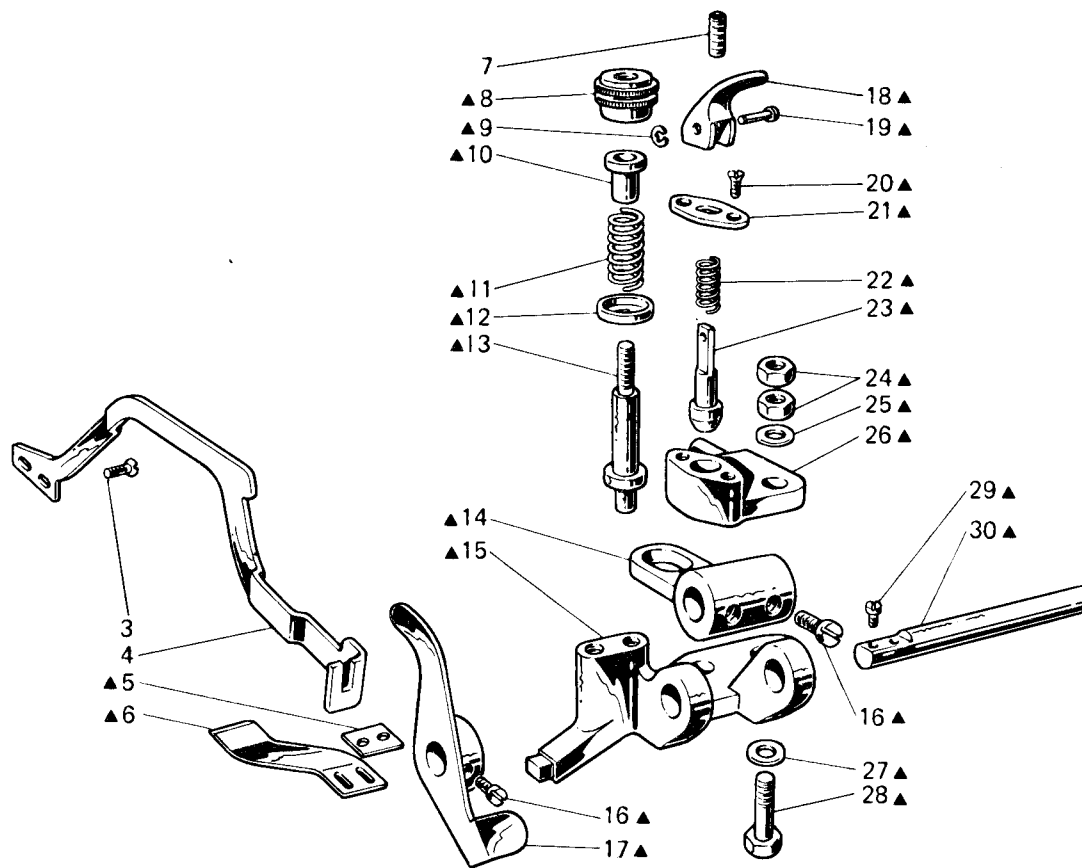
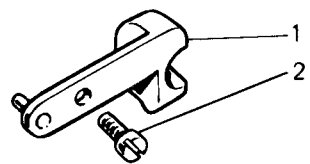


Fig. N. Abb. N.	Part. N. Bestell N. Piece N. Pieza N.	Qt. Anzahl	DESCRIZIONE	DESCRIPTION	DESCRIPTION	BENENNUNG	DESCRIPCION
▲	204915-4-13	1	pieghettatore completo	folding device assembly	disp. du plissage compl.		
1	203193-2-10	1	squadretta di fermo	bracket	équerre		
2	721443-2-00	1	vite	screw	vis		
3	720431-2-00	2	vite	screw	vis		
4	208058-0-00	1	leva pieghettatore	folding lever	levier du plissage		
5	204964-0-00	1	piastrina	sheet	plaquette		
6	205468-0-00	1	lamina	sheet	plaque		
	205469-0-00	1	lamina	sheet	plaque		
7	729013-2-00	1	vite	screw	vis		
8	200699-0-10	1	pomolo	knob	pommeau		
9	700205-0-00	1	anello	ring	anneau		
10	200074-0-10	1	bussola	bush	bague		
11	204937-0-10	1	molla	spring	ressort		
12	200821-0-10	1	scodellino	cup	cuvette		
13	200698-0-10	1	perno	pin	pivot		
14	204926-0-10	1	leva	lever	levier		
15	204914-0-10	1	corpo pieghettatore	folding device body	corps du plissage		
16	721434-2-00	4	vite	screw	vis		
17	204924-2-1Q	1	leva	lever	levier		
18	206909-0-00	1	leva	lever	levier		
19	202100-0-10	1	spina	pin	goupille		
20	744533-0-00	2	vite	screw	vis		
21	204935-0-10	1	piastrina	plate	plaquette		
22	204938-0-10	1	molla	spring	ressort		
23	204936-0-10	1	puntale	pin	pivot		
24	746021-2-00	2	dado	nut	écrou		
25	704216-2-00	1	rondella	washer	rondelle		
26	204927-0-10	1	sostegno	support	support		
27	704424-2-00	1	rondella	washer	rondelle		
28	204934-0-10	1	vite a perno	screw	vis		
29	741675-2-00	2	vite	screw	vis		
30	204918-0-10	1	perno	pin	pivot		