

# Rimoldi

CATALOGO PEZZI DI RICAMBIO  
SPARE PARTS CATALOGUE  
CATALOGUE RECHANGES  
ERSATZTEILELISTE

ZEFIR/2  
ZEFIRET/2

**n. 223**

652990002

UFFICIO CATALOGHI 9/79

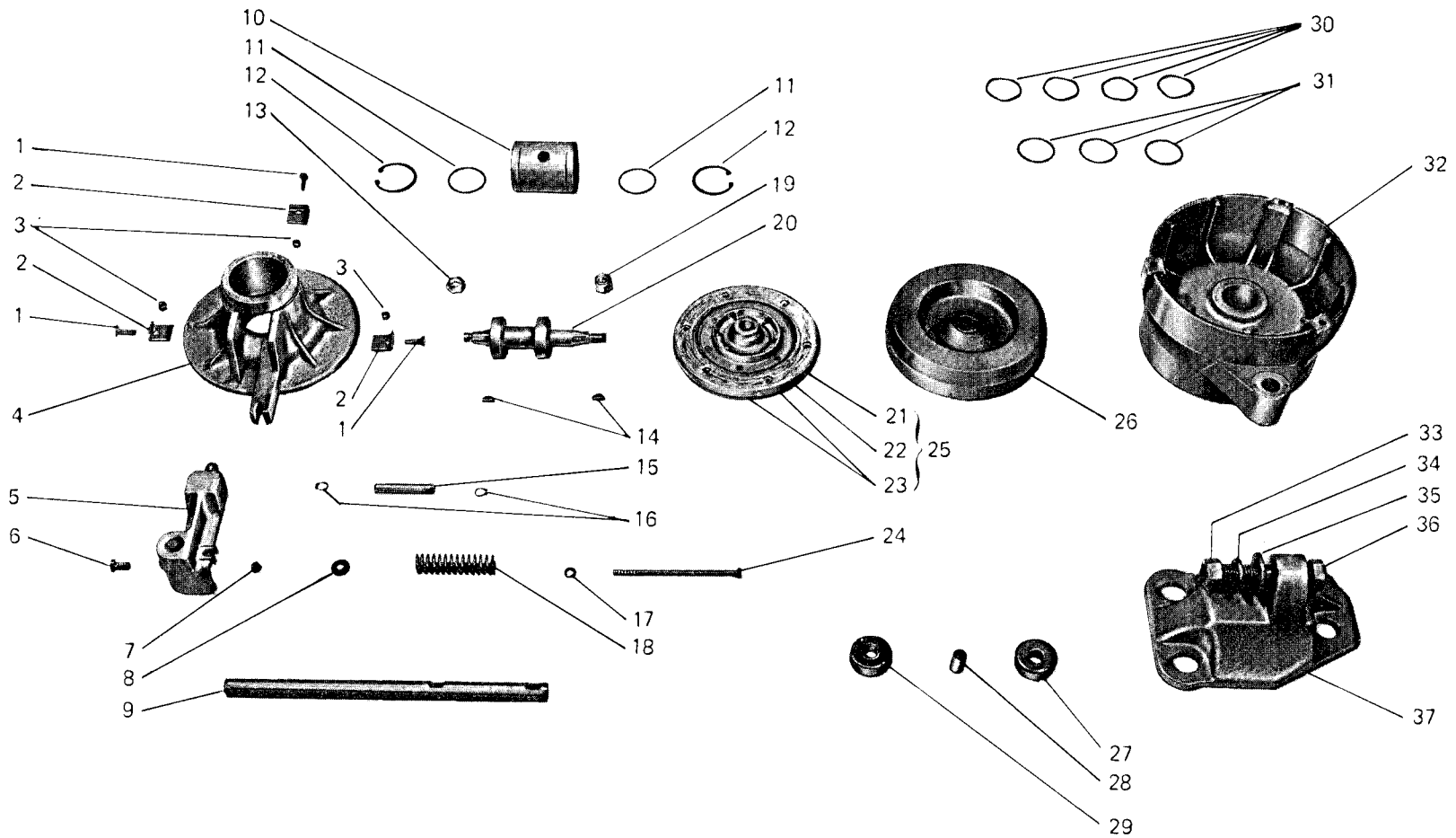


Fig. N. Abb. N.	Part. N. Bestell N. Piece N. Pieza N.	DESCRIZIONE	DESCRIPTION	DESCRIPTION	BENENNUNG	DESCRIPCION
1	RFR-M5x25/5737	vite fiss. squadretta	bracket screw	vis de blocage équerre		
2	RFR-11/30/199	squadretta	bracket	équerre		
3	RFR-M5UNI/5587	dado	nut	écrou		
4	RFR-11/41/103	coperchio frizione	clutch cover	couvercle friction		
5	RFR-11/41/211	leva frizione	clutch lever	levier friction		
6	RFR-M6x12UNI/6107	vite fiss. asta	rod screw	vis blocage tige		
7	RFR-M5UNI/5587	dado	nut	écrou		
8	RFR-50/164	rondella per molla	washer for spring	rondelle pour ressort		
9	RFR-60/005	asta frizione	clutch rod	tige friction		
10	RFR-11/30/102	bussola frizione	clutch bush	bague friction		
11	RFR-39,1x33x0,2	rondella spessoraz.	washer	rondelle		
12	RFR-40UNI/3654	anello d'arresto	stopping ring	anneau butée		
13	RFR-11/40/056	dado autobloccante	nut	écrou		
14	RFR-4x5UNI/6606	linguetta americana	tongue	languette		
15	RFR-11/31/213	spina per leva	pin for lever	goupille pour levier		
16	RFR-8UNI/3653	anello d'arresto	stopping ring	anneau butée		
17	RFR-5,3UNI/6592	rondella	washer	rondelle		
18	RFR-50/024/1	molla per leva	spring for lever	ressort pour levier		
19	RFR-M10x1DIN/980	dado autobloccante	nut	écrou		
20	RFR-PM11/40/111	albero friz. con cuscinetti	clutch shaft with bearings	arbre friction avec coussinets		
21	RFR-11/40/113	disco ferodo	disc	disque		
22	RFR-PM11/40/126	disco lamiera con sughero	disc	disque		
23	RFR-0/08/tipo 9F	rivetto	rivet	rivet		
24	RFR-M5x105/5737	tirante per molla	tie-rod for spring	tirant pour ressort		
25	RFR-G11/40/100	disco frizione compl.	clutch disc assembly	disque friction complet		
26	RFR-11/40/015	volano	flywheel	volant		
27	RFR-10/064/1	rondella per ammortizz.	washer	rondelle		
28	RFR-10/065	tubetto per ammortizzatore	pipe for damper	tube pour amortisseur		
29	RFR-10/063/1	ammortizzatore	damper	amortisseur		
30	RFR-LMKAS/40	anello compensaz.	ring	anneau		
31	RFR-39,1x33x0,5	rondella distanziale	spacer washer	rondelle entretoise		
32	RFR-11/41/003	coperchio portante	cover	couvercle		
33	RFR-M16UNI/5587	dado	nut	écrou		
34	RFR-A17UNI/1751	rondella	washer	rondelle		
35	RFR-10/093	rondella per snodo	washer for knuckle	rondelle pour axe		
36	RFR-M16x80/5727	vite per base	screw for base	vis pour base		
37	RFR-11/30/001/1	base	base	base		

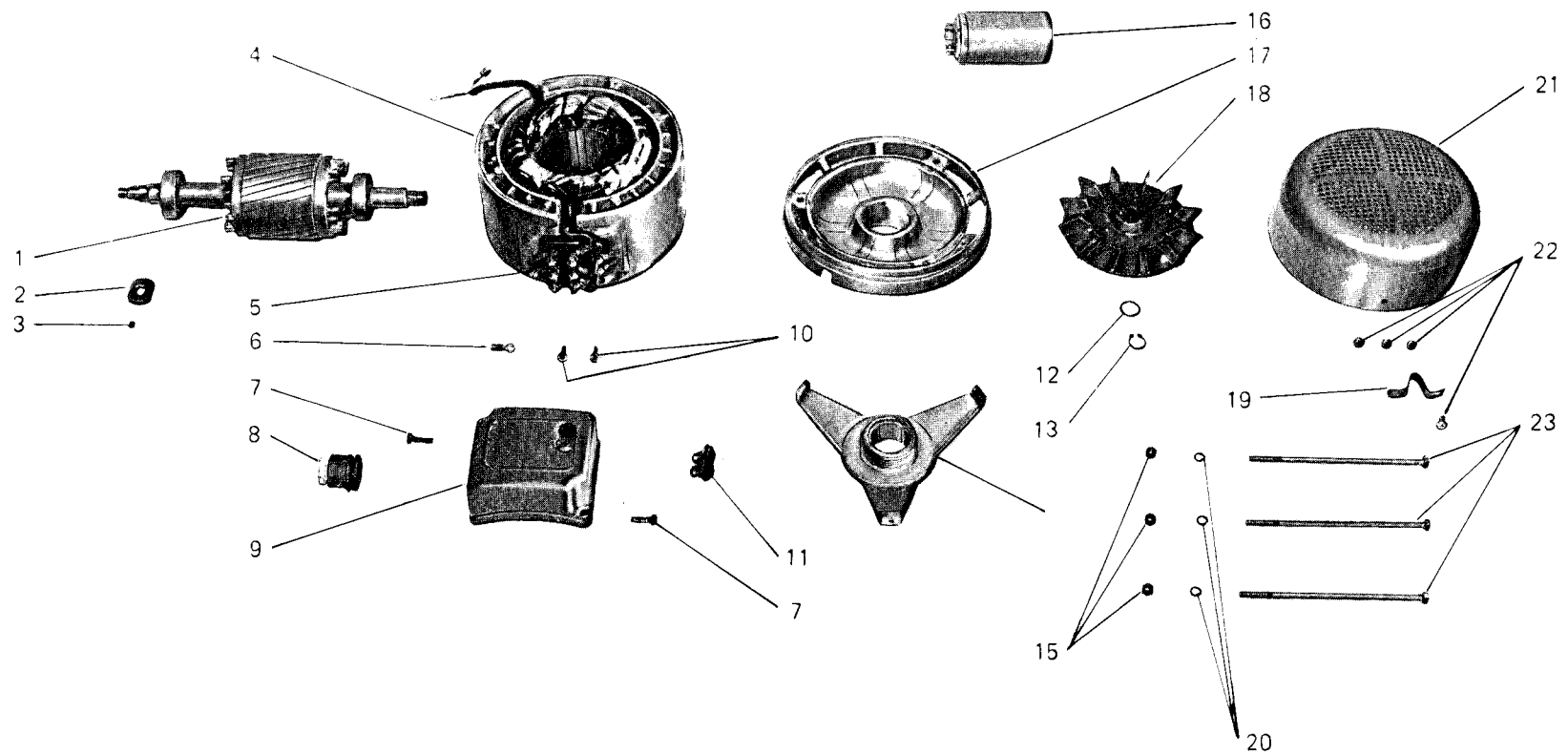


Fig. N. Abb. N.	Part. N. Bestell N. Piece N. Pieza N.	DESCRIZIONE	DESCRIPTION	DESCRIPTION	BENENNUNG	DESCRIPCION
1	RFR-PM11/41/012	albero con rotore e cuscin.	shaft assembly	arbre complet		
2	RFR-10/026	ghiera	ring nut	collier		
3	RFR-M5x6UNI/2389	grano	screw	vis		
4	RFR-PM11/41/002	carcassa con statore	casing	carcasse		
5	RFR-10/033/2	morsettiera	junction box	plaque à bornes		
6	RFR-AMP34145	terminale	terminal	extrémité		
7	RFR-M5x16/6107	vite fiss, copri morsett.	screw	vis		
8	RFR-11/40/094	passacavo	grommet	passe-câble		
9	RFR-11/03/092	coprimorsettiera	junction box cover	couvercle pour plaque à bornes		
10	RFR-taptiteM4x12	vite fiss, morsett.	screw	vis		
11	RFR-10/068	copertura isolante	cover	couvercle		
12	RFR-17x13x0,3	rondella spessoraz.	washer	rondelle		
13	RFR-12UNI/3653	anello d'arresto	stopping ring	anneau du butée		
14	RFR-11/40/053	crocera	coupling	croisière		
15	RFR-M5UNI/5587	dado	nut	écrou		
16	—	condensatore	condenser	condensateur		
	RFR-11/40/028	porta condensatore	condenser holder	porte condensateur		
	RFR-TaptiteM5x8	vite	screw	vis		
	RFR-N11C	fascetta	clamp	bride		
17	RFR-11/41/032	coperchio posteriore	rear cover	couvercle arrière		
18	RFR-12/050	ventola	fan	ventilateur		
19	RFR-11/41/051	molla regolazione	adjustment spring	ressort de réglage		
20	RFR-5AZUNI/3703	rondella dentell.	washer	rondelle		
21	RFR-11/03/041	copriventola	fan protector	couvre-ventilateur		
22	RFR-taptiteM4x12	vite	screw	vis		
23	RFR-M5x130/5737	tirante	tie-rod	tirant		

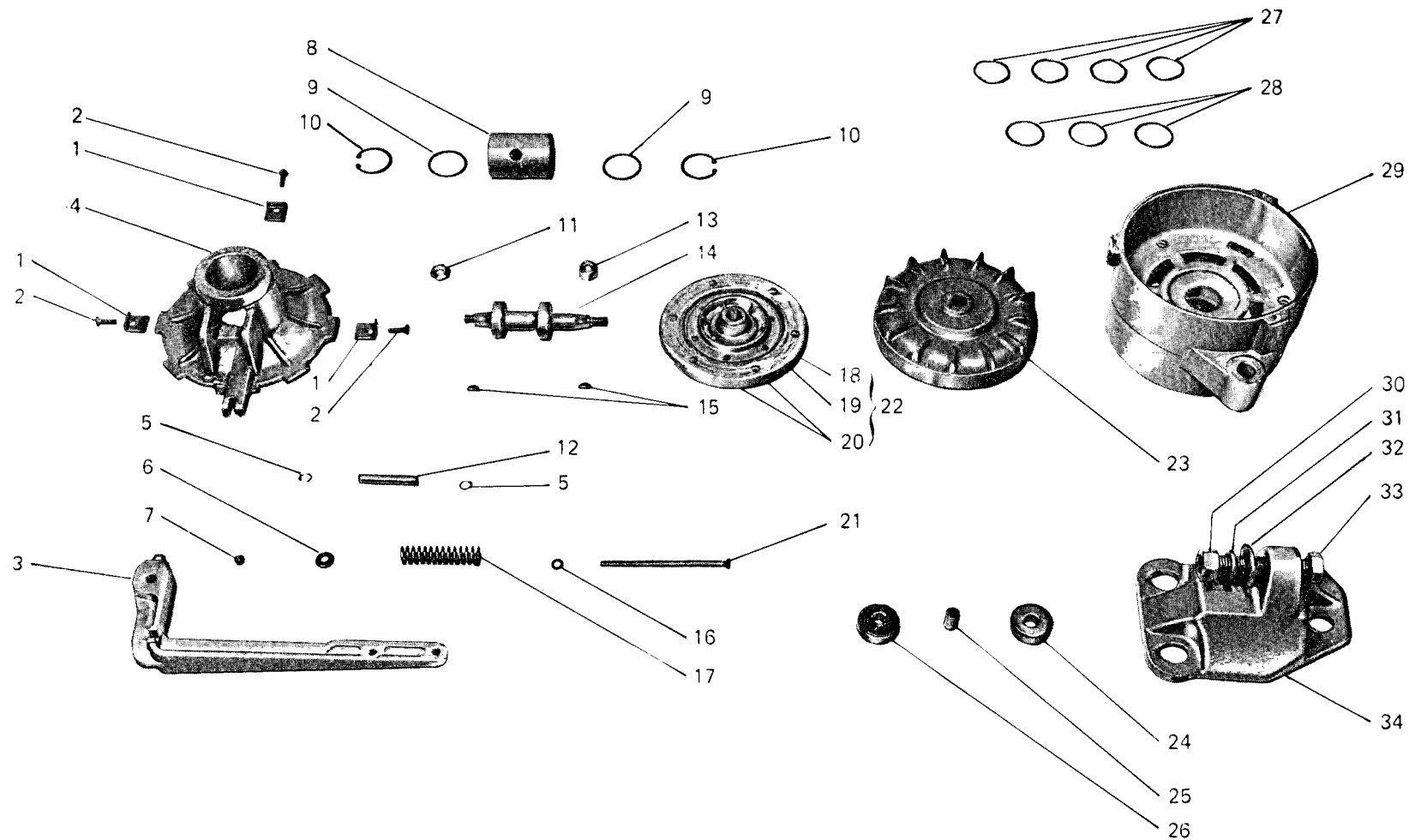


Fig. N. Abb. N.	Part. N. Bestell N. Piecce N. Pieza N.	DESCRIZIONE	DESCRIPTION	DESCRIPTION	BENENNUNG	DESCRIPCION
1	RFR-11/30/199	squadretta	bracket	équerre		
2	RFR-M5x25/5737	vite fiss.squadretta	bracket screw	vis de blocage équerre		
3	RFR-11/31/211	leva frizione	clutch lever	levier frietion		
4	RFR-11/04/103	coperchio frizione	clutch cover	couvercle friction		
5	RFR-8UNI3653	anello d'arresto	stopping ring	anneau butée		
6	RFR-50/164	rondella per molla	washer for spring	rondelle pour ressort		
7	RFR-M5UNI5587	dado	nut	écrou		
8	RFR-11/31/102	bussola frizione	clutch bush	bague friction		
9	RFR-34,5x28x0,2	rondella spessoraz.	washer	rondelle		
10	RFR-35UNI3654	anello d'arresto	stopping ring	anneau butée		
11	RFR-11/40/056	dado autobloccante	nut	écrou		
12	RFR-11/31/213	spina per leva	pin for lever	goupille pour levier		
13	RFR-M10x1DIN980	dado autobloccante	nut	écrou		
14	RFR-PM11/31/111	albero frizione con cuscin.	clutch shaft for bearings	arbre friction avec coussinets		
15	RFR-4x5UNI6606	linguetta americana	tongue	languette		
16	RFR-5,3UNI6592	rondella	washer	rondelle		
17	RFR-50/024/1	molla per leva	spring for lever	ressort pour levier		
18	RFR-11/40/113	disco ferodo	disc	disque		
19	RFR-PM11/40/126	disco lamiera con sughero	disc assembly	disque complet		
20	RFR-0/08-tipo9F	rivetto	rivet	rivet		
21	RFR-M5x105/5737	tirante per molla	tie-rod for spring	tirant pour ressort		
22	RFR-G11/40/100	disco frizione completo	clutch disc assembly	disque friction complet		
23	RFR-11/30/015/1	volano	flywheel	volant		
24	RFR-10/064/1	rondella per ammort.	washer	rondelle		
25	RFR-10/065	tubetto per ammortizz.	pipe for damper	tube pour amortisseur		
26	RFR-10/063/1	ammortizzatore	damper	amortisseur		
27	RFR-LMKAS40	anello compensaz.	ring	anneau		
28	RFR-39,1x33x0,5	rondella distanziale	spacer washer	rondelle entretoise		
29	RFR-11/30/003	coperchio portante	cover	couvercle		
30	RFR-M16UNI5587	dado	nut	écrou		
31	RFR-A17UNI1751	rondella	washer	rondelle		
32	RFR-10/093	rondella per snodo	washer for knuckle	rondelle pour axe		
33	RFR-M16x80/5727	vite per base	screw for base	vis pour base		
34	RFR-11/30/001/1	base	base	base		

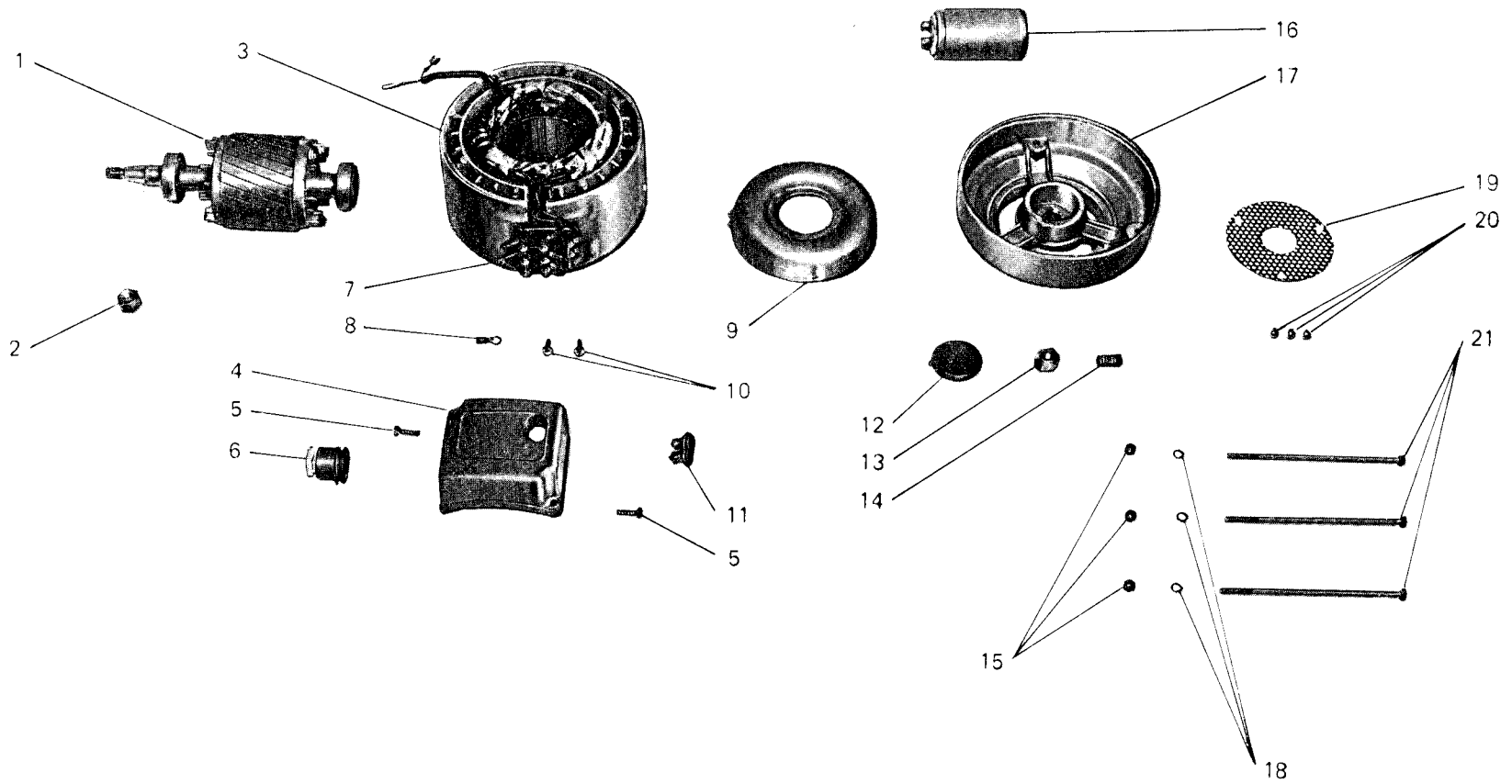




Fig. N. Abb. N.	Part. N. Bestell N. Piece N. Pieza N.	DESCRIZIONE	DESCRIPTION	DESCRIPTION	BENENNUNG	DESCRIPCION
1	RFR-PM11/30/012	albero con rotore e cusc.	shaft assembly	arbre complet		
2	RFR-M10x1DIN980	dado autobloccante	nut	écrou		
3	RFR-PM11/41/002	carcasa con statore	casing	carcasse		
4	RFR-11/03/092	coprimorsettiera	junction box cover	couvercle pour plaque à bornes		
5	RFR-M5x16/6107	vite fiss.coprimorsettiera	screw	vis		
6	RFR-11/40/094	passacavo	grommet	passe-câble		
7	RFR-10/033/2	morsettiera	junction box	plaque à bornes		
8	RFR-AMP34145	terminale	terminal	extrémité		
9	RFR-11/30/027	calottina protez.avvolg.	cover	couvercle		
10	RFR-TaptiteM4x12	vite fissa morsettiera	screw	vis		
11	RFR-10/068	copertura isolante	cover	couvercle		
12	RFR-11/30/054	rondella regolazione	adjustment ring	rondelle de réglage		
13	RFR-11/30/056	dado autobl. x vite regol.	nut	écrou		
14	RFR-11/30/055	vite regolazione	adjustment screw	vis de réglage		
15	RFR-M5UNI5587	dado	nut	écrou		
16	-----	condensatore	condenser	condensateur		
	RFR-11/40/028	porta condensatore	conder holder	porte condensateur		
	RFR-TaptiteM5x8	vite	screw	vis		
	RFR-N11C	fascetta	clamp	bride		
17	RFR-11/30/032	coperchio posteriore	rear cover	couvercle arrière		
18	RFR-5AZ/3703	rondella dentellata	washer	rondelle		
19	RFR-11/30/052	disco forato di protez.	disc	disque		
20	RFR-Sir6Mx6,35	rivetto fiss. disco	rivet	rivet		
21	RFR-M5x160/5737	tirante	tie-rod	tirant		