

Rimoldi

CATALOGO PEZZI DI RICAMBIO
SPARE PARTS CATALOGUE
CATALOGUE RECHANGES
ERSATZTEILELISTE

COMEZ
810

n.206

652800650

UFFICIO CATALOGHI 9/78

Nella consultazione del Catalogo tenere presente che:

- 1 Tutti i particolari non fornibili sciolti non vengono richiamati, ma soltanto illustrati nel gruppo di appartenenza.
- 2 Tutti i particolari che variano in finezza, hanno il numero di riferimento e la descrizione ripetuti per ogni finezza fornibile
- 3 I riferimenti delle figure dei particolari che compongono un gruppo sono di norma raggruppati in una parentesi. In alcuni casi però, dove non è possibile il raggruppamento, i numeri che nelle tavole illustrative richiamano i singoli pezzi sono affiancati dallo stesso segno particolare, con cui è indicato l'intero gruppo.

AVVERTENZA

Per facilitare la ricerca viene riportato l'indice numerico di tutti i particolari illustrati sul Catalogo, con la relativa tavola in cui gli stessi sono richiamati. Nella richiesta di parti di ricambio, citare sempre il modello ed il numero di matricola della macchina, il simbolo del particolare, la finezza e la denominazione ufficiale usata sul catalogo.

When using the catalogue please bear in mind that:

- 1 All the parts that are not supplied separately have no individual reference but are illustrated only in their relative assemblies
- 2 All parts that vary in gauge have the reference number and description repeated for each gauge that can be supplied
- 3 References to illustrations of parts that form an assembly are usually grouped in brackets. In some cases, however, where grouping is impossible, the special sign that indicates the whole assembly is printed at the side of the number referring to the separate parts in the illustrated tables.

IMPORTANT

To facilitate its use, this catalogue contains a numerical index of all the parts illustrated, together with the table in which they are to be found. When ordering spares always state the model and serial number of the machine, the reference number of the part required, the gauge and official description given in the catalogue.

Lors de la consultation de ce catalogue se rappeler que:

- 1 Les pièces qui ne sont pas fournies séparément ne sont pas citées, mais sont seulement illustrées dans le groupe auquel elles appartiennent
- 2 Toutes les pièces qui varient selon les jauges ont le numéro de référence et la description répétés pour chaque jauge fournies
- 3 Les références des illustrations des pièces qui composent un groupe sont généralement regroupées entre parenthèses. Dans certains cas cependant, lorsque le regroupement n'est pas possible, les chiffres qui dans les tableaux illustratifs indiquent les pièces ont à côté un même signe particulier avec lequel tout le groupe est indiqué.

AVERTISSEMENT

Pour faciliter les recherches, nous donnons l'index numérique de toutes les pièces illustrées dans ce catalogue ainsi que le tableau où elles sont indiquées. Lors des commandes de pièces détachées, il faut toujours citer le modèle et le numéro de matricule de la machine, le symbole de la pièce, la jauge et la dénomination officielle utilisée dans le catalogue.

INDICE NUMERICO

| Part. N. | Tav. N. | Part. N. | Tav. N. | Part. N. | Tav. N. | Part. N. | Tav. N. | Part. N. | Tav. N. |
|-----------------|------------|-----------------|-------------|-----------------|------------|-------------------|-------------|------------------|-------------|
| RZR-BPE | 22 | RZR-015/60/211 | 14 | RZR-015/80/361 | 9 | RZR-015/60/576 | 19 | RZR-125/80/4830 | 8 |
| RZR-BT | 23 | RZR-015/60/212 | 14 | RZR-015/80/362 | 9 | RZR-015/60/577 | 19 | RZR-125/80/4831 | 8 |
| RZR-PEC | 18-20 | RZR-015/60/214 | 14 | RZR-015/80/364 | 1-21 | RZR-015/60/579 | 19 | RZR-125/80/4832 | 8-19 |
| RZR-REF | 21 | RZR-015/60/217 | 14 | RZR-015/80/367 | 8 | RZR-015/60/580 | 19 | RZR-125/80/4863 | 7 |
| RZR-SM | 20 | RZR-015/60/222 | 14 | RZR-G015/80/367 | 8 | RZR-020/60/646 | 6 | RZR-125/80/4864 | 7 |
| RZR-TR | 10 | RZR-015/60/223 | 14 | RZR-015/80/369 | 8 | RZR-020/60/671 | 2 | RZR-125/80/4866 | 7-22-23 |
| RZR-015/60/010 | 7-21-22-23 | RZR-015/60/230 | 11 | RZR-015/80/370 | 14 | RZR-020/80/679 | 8 | RZR-125/80/4868 | 7 |
| RZR-015/60/021 | 2 | RZR-015/60/234 | 14 | RZR-015/80/373 | 14 | RZR-026/60/715 | 2 | RZR-125/80/4908 | 4 |
| RZR-015/60/057 | 6-8 | RZR-015/60/235 | 14 | RZR-G015/80/374 | 14 | RZR-G035/60/846 | 12-13-14-21 | RZR-125/80/4910 | 4 |
| RZR-P015/60/067 | 11 | RZR-015/60/240 | 16 | RZR-015/80/374 | 14 | RZR-082/150/2020 | 5-10 | RZR-125/80/4913 | 3-4-5-10-12 |
| RZR-015/60/068 | 16 | RZR-P015/60/241 | 11 | RZR-015/80/375 | 8 | RZR-082/150/2065 | 2 | RZR-125/80/4916 | 4 |
| RZR-015/60/083 | 4 | RZR-015/60/243 | 11 | RZR-015/80/380 | 15 | RZR-082/150/2099 | 4 | RZR-P125/80/4917 | 4 |
| RZR-015/60/086 | 3 | RZR-P015/60/244 | 11 | RZR-G015/80/382 | 9 | RZR-082/150/2104 | 2 | RZR-G125/80/4919 | 4 |
| RZR-015/60/092 | 8 | RZR-015/60/245 | 11-13-21 | RZR-P015/80/391 | 14 | RZR-082/150/2229 | 9 | RZR-125/80/4919 | 4 |
| RZR-015/60/093 | 8 | RZR-015/60/247 | 11-13-24-25 | RZR-015/80/394 | 9 | RZR-P082/150/2379 | 14 | RZR-125/80/4920 | 4 |
| RZR-015/60/094 | 8 | RZR-015/60/248 | 11 | RZR-015/80/395 | 1-13-15-21 | RZR-082/150/2400 | 24 | RZR-125/80/4921 | 4 |
| RZR-015/60/099 | 8 | RZR-015/60/249 | 11 | RZR-015/80/396 | 8 | RZR-082/150/2401 | 24 | RZR-P135/80/5007 | 1 |
| RZR-015/60/100 | 8 | RZR-015/60/257 | 19 | RZR-P015/80/398 | 11 | RZR-082/150/2432 | 6 | RZR-G135/80/5013 | 1 |
| RZR-015/60/102 | 8 | RZR-015/60/258 | 19 | RZR-014/80/400 | 7 | RZR-020/80/2551 | 18 | RZR-P135/80/5013 | 1 |
| RZR-015/60/105 | 8 | RZR-015/60/264 | 9-13-15 | RZR-014/80/402 | 8 | RZR-020/80/2703 | 2 | RZR-135/80/5018 | 1 |
| RZR-015/60/114 | 4 | RZR-015/60/271 | 4-10 | RZR-G014/80/402 | 8 | RZR-110/280/3554 | 1 | RZR-135/80/5020 | 1 |
| RZR-015/60/138 | 3-5-10 | RZR-015/60/277 | 14 | RZR-014/80/404 | 8 | RZR-015/80/4518 | 3 | RZR-135/80/5039 | 2 |
| RZR-015/60/139 | 3-5-10-12 | RZR-015/60/278 | 14 | RZR-015/60/405 | 8 | RZR-015/80/4528 | 10 | RZR-135/80/5040 | 2 |
| RZR-015/60/140 | 8 | RZR-015/60/279 | 14 | RZR-014/80/411 | 1-13-15-21 | RZR-015/80/4529 | 4 | RZR-135/80/5041 | 2 |
| RZR-G015/60/145 | 16 | RZR-015/60/280 | 14 | RZR-G015/80/413 | 9 | RZR-015/80/4534 | 4 | RZR-P135/80/5043 | 2 |
| RZR-015/60/145 | 16 | RZR-015/60/285 | 6 | RZR-014/60/423 | 8 | RZR-015/80/4535 | 4 | RZR-135/80/5053 | 2 |
| RZR-015/60/146 | 6 | RZR-015/60/286 | 19 | RZR-P014/60/427 | 19-22 | RZR-015/80/4560 | 8 | RZR-P135/80/5055 | 2 |
| RZR-015/60/158 | 16 | RZR-015/60/288 | 19 | RZR-012/60/453 | 8 | RZR-014/80/4561 | 8 | RZR-135/80/5082 | 3 |
| RZR-015/60/164 | 16 | RZR-P015/60/289 | 19 | RZR-P012/60/457 | 19-22 | RZR-012/80/4562 | 8 | RZR-135/80/5083 | 3 |
| RZR-015/60/165 | 10 | RZR-015/60/289 | 19 | RZR-012/80/480 | 7 | RZR-015/80/4604 | 6 | RZR-135/80/5084 | 3 |
| RZR-015/60/169 | 10 | RZR-P015/60/291 | 19 | RZR-012/60/481 | 9 | RZR-015/80/4605 | 6 | RZR-135/80/5085 | 3 |
| RZR-P015/60/171 | 19-22 | RZR-015/60/291 | 19 | RZR-012/80/482 | 8 | RZR-015/80/4610 | 7 | RZR-135/80/5089 | 4 |
| RZR-015/60/182 | 16 | RZR-015/60/295 | 19 | RZR-G012/80/482 | 8 | RZR-G010/80/4611 | 7 | RZR-135/80/5090 | 4 |
| RZR-015/60/187 | 7-22-23 | RZR-P015/60/295 | 19 | RZR-012/80/484 | 8 | RZR-010/80/4611 | 7 | RZR-135/80/5091 | 4 |
| RZR-015/60/168 | 7-22-23 | RZR-P015/60/298 | 19 | RZR-012/80/490 | 1-13-15-21 | RZR-G015/80/4770 | 16 | RZR-135/80/5098 | 3 |
| RZR-015/60/190 | 7-23 | RZR-015/60/298 | 19 | RZR-015/60/570 | 19 | RZR-P015/80/4770 | 16 | RZR-135/80/5099 | 3 |
| RZR-015/60/191 | 21 | RZR-015/60/302 | 14 | RZR-015/60/571 | 19 | RZR-015/80/4771 | 16 | RZR-135/80/5102 | 3 |
| RZR-015/60/195 | 16 | RZR-015/60/304 | 14 | RZR-015/60/572 | 19 | RZR-015/80/4772 | 16 | RZR-135/80/5105 | 3 |
| RZR-015/60/196 | 16 | RZR-015/60/320 | 6 | RZR-015/60/573 | 19 | RZR-015/80/4773 | 16 | RZR-135/80/5106 | 3 |
| RZR-015/60/200 | 16 | RZR-015/60/321 | 6 | RZR-015/60/574 | 19 | RZR-015/80/4774 | 1 | RZR-135/80/5140 | 5 |
| RZR-015/60/210 | 14 | RZR-015/80/360 | 7 | RZR-015/60/575 | 19 | RZR-G125/80/4830 | 8 | RZR-135/80/5141 | 5 |

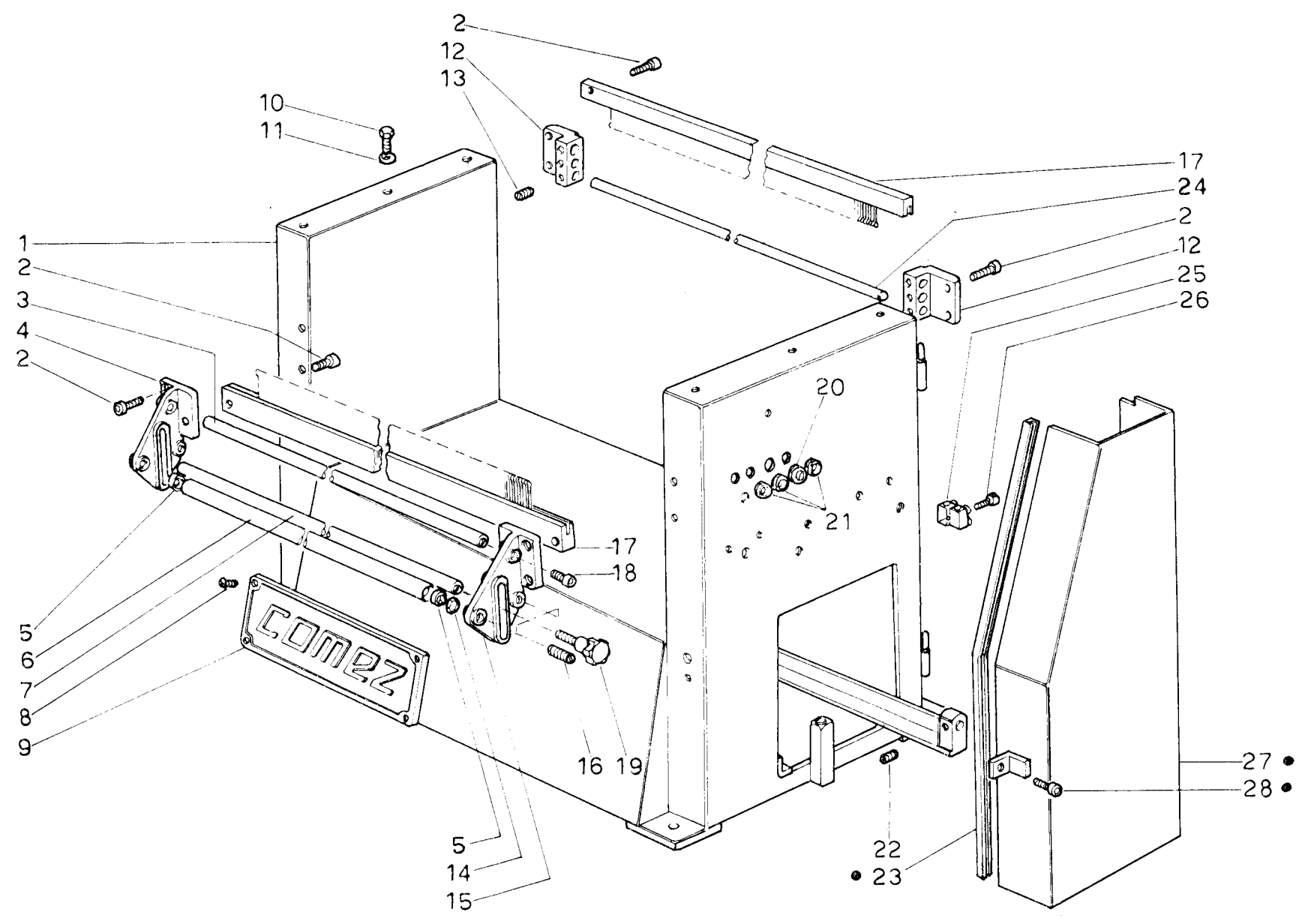
INDICE NUMERICO

| Part. N. | Tav. N. | Part. N. | Tav. N. | Part. N. | Tav. N. | Part. N. | Tav. N. | Part. N. | Tav. N. |
|------------------|----------|------------------|---------|------------------|---------|------------------|----------|------------------|---------|
| RZR-135/80/5142 | 5 | RZR-G134/80/5385 | 15 | RZR-135/80/7309 | 21 | RZR-135/80/7776 | 10 | RZR-015/60/8182 | 20 |
| RZR-135/80/5145 | 5 | RZR-G132/80/5386 | 15 | RZR-135/80/7310 | 21 | RZR-135/80/7777 | 10 | RZR-015/60/8183 | 24 |
| RZR-P135/80/5146 | 5 | RZR-135/80/5388 | 15 | RZR-135/80/7311 | 21 | RZR-135/80/7780 | 10 | RZR-P015/60/8185 | 20 |
| RZR-135/80/5148 | 5 | RZR-135/80/5472 | 1-16 | RZR-135/80/7312 | 21 | RZR-015/60/7808 | 21 | RZR-015/60/8187 | 20 |
| RZR-135/80/5152 | 5 | RZR-135/80/5473 | 16 | RZR-135/80/7315 | 21 | RZR-015/60/7810 | 21 | RZR-015/60/8188 | 20 |
| RZR-135/80/5153 | 5 | RZR-135/80/5474 | 16 | RZR-P135/80/7317 | 21 | RZR-015/60/7811 | 21 | RZR-015/60/8189 | 20 |
| RZR-135/80/5154 | 5 | RZR-135/80/5475 | 16 | RZR-135/80/7420 | 21 | RZR-015/60/7813 | 21 | RZR-P015/60/8190 | 20 |
| RZR-135/80/5156 | 12-13-21 | RZR-135/80/5476 | 1 | RZR-135/80/7321 | 21 | RZR-P015/60/7816 | 21 | RZR-015/60/8191 | 20 |
| RZR-135/80/5180 | 6 | RZR-135/80/5477 | 16 | RZR-135/80/7327 | 21 | RZR-015/60/7817 | 21 | RZR-015/60/8192 | 20 |
| RZR-135/80/5181 | 6 | RZR-135/80/5478 | 16 | RZR-135/80/7328 | 21 | RZR-015/60/7820 | 21 | RZR-015/60/8194 | 20 |
| RZR-135/80/5188 | 6 | RZR-135/80/5479 | 16 | RZR-135/80/7329 | 21 | RZR-015/60/7829 | 11-14-21 | RZR-015/60/8195 | 20 |
| RZR-135/80/5220 | 7 | RZR-135/80/5480 | 15-16 | RZR-135/80/7330 | 21 | RZR-015/60/7834 | 21 | RZR-015/60/8196 | 20 |
| RZR-135/80/5221 | 7 | RZR-G135/80/5480 | 15-16 | RZR-015/60/7400 | 18 | RZR-015/60/7835 | 21 | RZR-015/60/8197 | 20 |
| RZR-135/80/5226 | 7 | RZR-135/80/5480 | 16 | RZR-015/60/7402 | 18 | RZR-015/60/7845 | 21 | RZR-015/60/8198 | 20 |
| RZR-135/80/5227 | 7-22 | RZR-135/80/5481 | 15-16 | RZR-015/60/7405 | 18 | RZR-015/60/7846 | 21 | RZR-G015/60/8261 | 18 |
| RZR-135/80/5228 | 7 | RZR-135/80/5482 | 15-16 | RZR-015/60/7406 | 18 | RZR-015/80/7905 | 21 | RZR-015/60/8261 | 18 |
| RZR-G135/80/5229 | 7 | RZR-135/80/5483 | 16 | RZR-015/60/7407 | 18 | RZR-015/80/7909 | 21 | RZR-015/60/8681 | 15-16 |
| RZR-G134/80/5230 | 7 | RZR-135/80/5484 | 16 | RZR-015/60/7410 | 18 | RZR-015/80/7914 | 21 | RZR-015/60/8688 | 11-16 |
| RZR-G132/80/5231 | 7 | RZR-135/80/5485 | 16 | RZR-015/60/7413 | 18 | RZR-015/80/7917 | 21 | RZR-015/60/8689 | 11-16 |
| RZR-135/80/5233 | 7 | RZR-135/100/5623 | 23 | RZR-015/60/7414 | 18 | RZR-015/80/7919 | 21 | RZR-020/60/8707 | 20 |
| RZR-P135/80/5275 | 9 | RZR-110/310/6450 | 13 | RZR-015/60/7443 | 18 | RZR-015/60/8001 | 20 | RZR-035/60/8806 | 18 |
| RZR-P135/80/5276 | 9 | RZR-110/310/6451 | 12-13 | RZR-015/60/7455 | 1 | RZR-015/60/8013 | 21 | RZR-035/60/8807 | 18 |
| RZR-135/80/5283 | 9 | RZR-110/310/6452 | 12-13 | RZR-015/60/7456 | 1 | RZR-015/80/8044 | 13-18-20 | RZR-G035/60/8809 | 18 |
| RZR-135/80/5284 | 9 | RZR-110/310/6453 | 12-13 | RZR-135/80/7460 | 1 | RZR-015/60/8047 | 22 | RZR-040/100/8851 | 18 |
| RZR-135/80/5320 | 10 | RZR-110/310/6454 | 12-13 | RZR-135/80/7461 | 1 | RZR-015/60/8069 | 21 | RZR-015/60/9200 | 25 |
| RZR-135/80/5330 | 11 | RZR-110/310/6456 | 12-13 | RZR-015/80/7470 | 1 | RZR-015/60/8116 | 13-20 | RZR-015/60/9201 | 25 |
| RZR-135/80/5332 | 11 | RZR-110/310/6456 | 12-13 | RZR-015/80/7471 | 1 | RZR-015/60/8127 | 20 | RZR-015/60/9203 | 24-25 |
| RZR-135/80/5334 | 11 | RZR-110/310/6457 | 13 | RZR-015/80/7472 | 1 | RZR-015/60/8133 | 13-25 | RZR-015/60/9204 | 24-25 |
| RZR-135/80/5335 | 11 | RZR-110/310/6458 | 12 | RZR-015/60/7508 | 18 | RZR-015/60/8142 | 18-20 | RZR-P015/60/9205 | 24-25 |
| RZR-135/80/5339 | 11 | RZR-110/310/6459 | 12 | RZR-P015/60/7509 | 18 | RZR-015/60/8150 | 20 | RZR-015/60/9206 | 24-25 |
| RZR-135/80/5340 | 11 | RZR-110/310/6464 | 12 | RZR-015/60/7703 | 4-10 | RZR-015/60/8154 | 20 | RZR-015/60/9207 | 24-25 |
| RZR-125/80/5350 | 14 | RZR-110/310/6465 | 12 | RZR-015/60/7714 | 10 | RZR-015/60/8166 | 18-20 | RZR-P015/80/9211 | 24-25 |
| RZR-125/80/5351 | 14 | RZR-110/310/6466 | 12 | RZR-P015/60/7714 | 10 | RZR-015/60/8168 | 20 | RZR-P015/60/9215 | 24 |
| RZR-135/80/5374 | 15 | RZR-110/310/6467 | 12 | RZR-015/60/7715 | 10 | RZR-015/60/8169 | 20 | RZR-P015/60/9220 | 25 |
| RZR-135/80/5375 | 15 | RZR-135/80/7300 | 21 | RZR-P015/60/7715 | 10 | RZR-P015/60/8170 | 20 | RZR-P015/60/9407 | 23 |
| RZR-135/80/5376 | 15 | RZR-135/80/7301 | 21 | RZR-015/60/7717 | 9-10 | RZR-015/60/8171 | 20 | RZR-014/60/9408 | 23 |
| RZR-135/80/5377 | 15 | RZR-135/80/7302 | 21 | RZR-015/60/7718 | 10 | RZR-015/60/8172 | 20 | RZR-P012/60/9409 | 23 |
| RZR-135/80/5378 | 15 | RZR-135/80/7303 | 21 | RZR-015/60/7719 | 10 | RZR-015/60/8173 | 20 | RZR-G135/80/9414 | 22-23 |
| RZR-G135/80/5381 | 15 | RZR-P135/80/7305 | 21 | RZR-015/60/7722 | 10 | RZR-P015/60/8174 | 20 | RZR-015/80/9430 | 22-23 |
| RZR-G132/80/5383 | 15 | RZR-P135/80/7307 | 21 | RZR-135/80/7771 | 10 | RZR-P015/60/8175 | 20 | RZR-015/80/9431 | 22-23 |
| RZR-G135/80/5384 | 15 | RZR-135/80/7308 | 21 | RZR-135/80/7774 | 3-10 | RZR-P015/60/8176 | 20 | RZR-012/80/9434 | 22-23 |

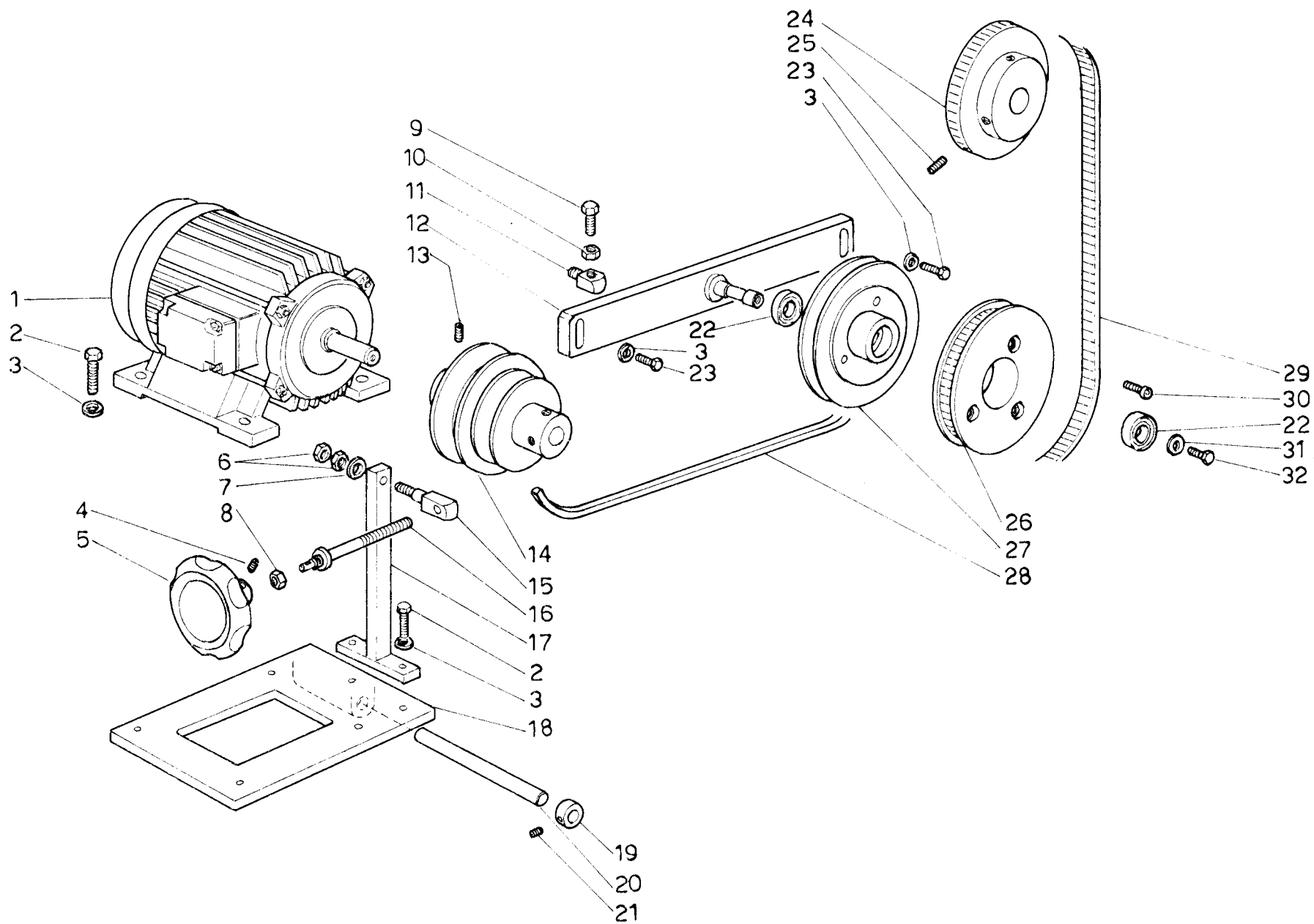
INDICE NUMERICO

| Part. N. | Tav. N. | Part. N. | Tav. N. | Part. N. | Tav. N. | Part. N. | Tav. N. | Part. N. | Tav. N. |
|-------------------|---------|-------------------|---------|-------------------|---------|-------------------|---------|-------------------|-------------|
| RZR-015/60/9507 | 14 | RZR-801/15/10060 | 6 | RZR-801/15/10129 | 12 | RZR-G801/15/10196 | 20 | RZR-810/15/10715 | 9 |
| RZR-015/60/9518 | 14 | RZR-801/15/10061 | 9 | RZR-801/15/10130 | 9 | RZR-801/15/10200 | 19 | RZR-810/14/10716 | 9 |
| RZR-801/15/10002 | 2 | RZR-801/15/10062 | 9 | RZR-801/15/10131 | 12 | RZR-801/15/10201 | 19 | RZR-810/12/10717 | 9 |
| RZR-801/15/10003 | 2 | RZR-801/15/10063 | 9 | RZR-801/15/10132 | 12 | RZR-801/15/10204 | 10 | RZR-810/15/10718 | 9 |
| RZR-801/15/10004 | 2 | RZR-801/15/10064 | 9 | RZR-801/15/10133 | 12 | RZR-801/15/10205 | 6 | RZR-H810/15/10724 | 5 |
| RZR-801/15/10006 | 3 | RZR-801/15/10065 | 9 | RZR-801/15/10135 | 9 | RZR-801/15/10206 | 6 | RZR-810/15/10725 | 5 |
| RZR-G801/15/10007 | 3 | RZR-801/15/10066 | 7 | RZR-801/15/10136 | 4 | RZR-801/15/10210 | 7 | RZR-810/15/10726 | 5 |
| RZR-801/15/10010 | 3 | RZR-P801/15/10085 | 9 | RZR-801/15/10137 | 3 | RZR-801/15/10211 | 9 | RZR-810/15/10730 | 4 |
| RZR-801/15/10011 | 3 | RZR-801/15/10090 | 10 | RZR-801/15/10138 | 12 | RZR-805/15/10500 | 2 | RZR-P810/15/10731 | 4 |
| RZR-801/15/10012 | 4 | RZR-801/15/10091 | 10 | RZR-801/15/10139 | 11 | RZR-805/15/10501 | 2 | RZR-G810/15/10732 | 4 |
| RZR-801/15/10013 | 3 | RZR-801/15/10092 | 10 | RZR-801/15/10140 | 11 | RZR-805/15/10502 | 2 | RZR-810/15/10733 | 4 |
| RZR-801/15/10014 | 3 | RZR-801/15/10093 | 8 | RZR-801/15/10150 | 13 | RZR-805/15/10503 | 5 | RZR-810/15/10736 | 7 |
| RZR-P801/15/10016 | 4 | RZR-G801/15/10094 | 10 | RZR-801/15/10151 | 12 | RZR-P805/15/10504 | 5 | RZR-810/15/10738 | 8 |
| RZR-801/15/10019 | 4 | RZR-801/15/10095 | 10 | RZR-P801/15/10152 | 13 | RZR-805/15/10508 | 3 | RZR-810/15/10740 | 8 |
| RZR-801/15/10022 | 5 | RZR-801/15/10096 | 10 | RZR-801/15/10154 | 13 | RZR-805/15/10509 | 3 | RZR-1/C/8 | 20 |
| RZR-801/15/10026 | 5 | RZR-801/15/10097 | 10 | RZR-801/15/10155 | 13 | RZR-805/15/10533 | 7 | RZR-1/C/10 | 15-16 |
| RZR-801/15/10030 | 6 | RZR-801/15/10098 | 10 | RZR-801/15/10156 | 13 | RZR-G805/20/10538 | 15 | RZR-1/C/15 | 16 |
| RZR-801/15/10031 | 6 | RZR-801/15/10099 | 10 | RZR-P801/15/10157 | 13 | RZR-805/20/10539 | 1-13-15 | RZR-1/C/20 | 16 |
| RZR-801/15/10032 | 6 | RZR-801/15/10100 | 10 | RZR-801/15/10160 | 13 | RZR-G805/20/10540 | 8 | RZR-1/D/5 | 9-15-20 |
| RZR-801/15/10033 | 6 | RZR-801/15/10101 | 10 | RZR-801/15/10161 | 13 | RZR-805/20/10541 | 8 | RZR-1/D/7 | 8 |
| RZR-801/15/10034 | 6 | RZR-801/15/10102 | 10 | RZR-801/15/10162 | 13 | RZR-805/20/10542 | 8 | RZR-1/E/5 | 1-9-13-15 |
| RZR-P801/15/10035 | 6 | RZR-801/15/10105 | 12 | RZR-P801/15/10163 | 13 | RZR-805/20/10543 | 8 | RZR-1/E/8 | 24-25 |
| RZR-P801/15/10036 | 6 | RZR-801/15/10106 | 12 | RZR-801/15/10164 | 13 | RZR-805/20/10546 | 19-22 | RZR-1/E/10 | 15-16 |
| RZR-801/15/10037 | 3 | RZR-801/15/10107 | 12 | RZR-801/15/10165 | 13 | RZR-805/20/10548 | 22 | RZR-1/E/15 | 16 |
| RZR-801/15/10038 | 6 | RZR-801/15/10108 | 12 | RZR-P801/15/10166 | 13 | RZR-805/20/10551 | 15 | RZR-1/E/25 | 11-16 |
| RZR-801/15/10039 | 3 | RZR-801/15/10109 | 12 | RZR-801/15/10168 | 13 | RZR-805/15/10561 | 8 | RZR-1/G/6 | 11 |
| RZR-801/15/10040 | 7 | RZR-801/15/10110 | 12 | RZR-801/15/10169 | 13 | RZR-801/15/10562 | 8 | RZR-1/G/10 | 5-10-13-14 |
| RZR-801/15/10041 | 7 | RZR-801/15/10111 | 12 | RZR-801/15/10170 | 13 | RZR-805/15/10565 | 13 | | 18 |
| RZR-801/15/10042 | 7 | RZR-P801/15/10112 | 12 | RZR-801/15/10175 | 13 | RZR-805/15/10566 | 12-13 | RZR-1/G/14 | 8 |
| RZR-801/15/10043 | 7 | RZR-P801/15/10115 | 12 | RZR-801/15/10176 | 13 | RZR-801/15/10700 | 9 | RZR-1/H/10 | 6-21 |
| RZR-801/15/10044 | 5 | RZR-801/15/10117 | 12 | RZR-801/15/10177 | 13 | RZR-801/12/10701 | 9 | RZR-2/A/10 | 7 |
| RZR-801/15/10045 | 8 | RZR-801/15/10119 | 6 | RZR-801/15/10180 | 15 | RZR-810/15/10702 | 9 | RZR-2/B/10 | 7-11-12-13 |
| RZR-P801/15/10046 | 2 | RZR-801/15/10120 | 12 | RZR-801/15/10181 | 15 | RZR-810/15/10703 | 9 | | 14-21 |
| RZR-801/15/10048 | 6 | RZR-801/15/10121 | 12 | RZR-801/15/10182 | 13 | RZR-810/15/10707 | 9 | RZR-2/B/12 | 7-15 |
| RZR-801/15/10049 | 3-5 | RZR-801/15/10122 | 12 | RZR-801/15/10183 | 13 | RZR-810/15/10708 | 9 | RZR-2/B/15 | 16 |
| RZR-801/15/10054 | 9 | RZR-801/15/10123 | 12 | RZR-801/15/10184 | 13 | RZR-810/15/10709 | 9 | RZR-2/B/20 | 1-12 |
| RZR-801/15/10055 | 9 | RZR-801/15/10124 | 12 | RZR-G801/15/10185 | 13 | RZR-810/15/10710 | 9 | RZR-2/B/30 | 21 |
| RZR-G801/15/10056 | 9 | RZR-P801/15/10125 | 12 | RZR-P801/15/10189 | 20 | RZR-810/15/10711 | 9 | RZR-2/C/10 | 4-6-10-12 |
| RZR-801/15/10057 | 9 | RZR-801/15/10126 | 12 | RZR-801/15/10193 | 20 | RZR-810/15/10712 | 9 | | 22-23 |
| RZR-801/15/10058 | 9 | RZR-P801/15/10127 | 12 | RZR-801/15/10194 | 20 | RZR-810/15/10713 | 9 | RZR-2/C/14 | 1-3-8-20-24 |
| RZR-801/15/10059 | 9 | RZR-P801/15/10128 | 12 | RZR-G801/15/10195 | 20 | RZR-810/15/10714 | 9 | | 25 |

| Part. N. | Tav. N. | Part. N. | Tav. N. | Part. N. | Tav. N. | Part. N. | Tav. N. | Part. N. | Tav. N. |
|------------|-----------------------------------|--------------|------------|-------------|--------------|-------------|-------------|----------|---------|
| RZR-2/C/15 | 3-9-13-24 25 | RZR-5/N/55 | 8 | RZR-31/D/12 | 7-9 | RZR-59/E/12 | 8 | | |
| | | RZR-7/H/30 | 7-10 | RZR-31/E/12 | 8 | RZR-59/H/12 | 2 | | |
| RZR-2/C/16 | 21 | RZR-7/G/20 | 12 | RZR-32/E/12 | 6 | RZR-60/C/5 | 4 | | |
| RZR-2/C/25 | 15 | RZR-7/R/55 | 8 | RZR-36/E/10 | 8-10-20-22 | RZR-60/E/6 | 2-12-13 | | |
| RZR-2/C/30 | 2 | RZR-9/B/25 | 4-8 | | 23 | RZR-60/F/8 | 12 | | |
| RZR-2/D/16 | 1-9-11-21 | RZR-12/B/16 | 9 | RZR-36/E/20 | 7-8 | RZR-60/L/12 | 8 | | |
| RZR-2/D/20 | 9-14-24 | RZR-12/C/15 | 12 | RZR-36/E/30 | 18 | RZR-60/R/4 | 21 | | |
| RZR-2/D/25 | 6-8-9-10 | RZR-12/D/20 | 3-4-5 | RZR-36/F/10 | 2-5-12-13-14 | RZR-60/T/70 | 8 | | |
| RZR-2/D/30 | 6-9 | RZR-12/E/25 | 3 | RZR-36/F/15 | 5-6-7-8-11 | RZR-60/W/15 | 4 | | |
| RZR-2/D/35 | 5 | RZR-13/B/10 | 11 | | 12-20-25 | RZR-61/A/6 | 20 | | |
| RZR-2/M/14 | 8 | RZR-14/B/5 | 10 | RZR-36/F/20 | 3-4-8-18 | RZR-61/E/8 | 7 | | |
| RZR-3/C/6 | 9-13 | RZR-14/C/6 | 5 | RZR-36/F/22 | 13 | RZR-62/A/4 | 16 | | |
| RZR-3/C/8 | 2-6-9-10-20 | RZR-14/G/10 | 18 | RZR-36/F/25 | 9-15-20-21 | RZR-62/C/5 | 5-8-13-18 | | |
| RZR-3/D/6 | 2-7-10-22 23 | RZR-16/F/4 | 7-21-22-23 | RZR-36/F/30 | 20-24-25 | | 20-22-23 | | |
| | | RZR-16/F/5 | 10-21 | RZR-36/F/40 | 18 | RZR-62/D/6 | 3-4-5-6-8-9 | | |
| RZR-3/D/8 | 1-3-4-7-9-11 12-20-21-22 23 | RZR-16/F/6 | 4-15 | RZR-36/F/50 | 2-18-20 | | 11-12-18-20 | | |
| | | RZR-16/F/12 | 5 | RZR-36/G/20 | 2-4-5-6-7-10 | | 21-24-25 | | |
| | | RZR-16/G/6 | 1-14-15-16 | | 13-14-20-21 | RZR-62/F/8 | 2-3-4-5-6-7 | | |
| RZR-3/D/10 | 5-6-7-9-11 12-13-14-15 20 | | 21 | RZR-36/G/25 | 2-3-5-6-9-10 | | 8-9-10-11 | | |
| | | RZR-16/G/8 | 9-15 | | 12-13 | | 12-13-14-18 | | |
| | | RZR-16/G/10 | 14 | RZR-36/G/40 | 8 | | 21 | | |
| RZR-3/D/15 | 4-24-25 | RZR-16/G/15 | 2 | RZR-36/H/25 | 1 | RZR-62/G/10 | 1-2-9-12 | | |
| RZR-3/D/50 | 8 | RZR-17/Z/51 | 10 | RZR-36/H/40 | 12 | | 13-21 | | |
| RZR-3/E/8 | 9 | RZR-18/R/55 | 7-10 | RZR-36/R/25 | 7-22-23 | RZR-62/H/12 | 10 | | |
| RZR-3/E/10 | 4-8-10-12-13 24-25 | RZR-18/S/100 | 8 | RZR-41/B/7 | 10-19-22-23 | RZR-62/H/24 | 9 | | |
| | | RZR-20/D/30 | 8 | RZR-50/D/6 | 7-8 | RZR-63/G/32 | 9 | | |
| RZR-3/E/15 | 2-6-7-10 | RZR-20/E/30 | 6 | RZR-50/F/10 | 8 | | | | |
| RZR-3/E/30 | 8 | RZR-26/E/8 | 20-21 | RZR-51/B/3 | 16 | | | | |
| RZR-4/A/8 | 1 | RZR-26/E/10 | 20 | RZR-51/F/5 | 5-7-13-16-18 | | | | |
| RZR-4/D/10 | 5-12-13-21 | RZR-26/F/10 | 3-9-10-14 | | 20 | | | | |
| RZR-4/E/12 | 13 | RZR-26/F/15 | 1-4-8 | RZR-51/G/6 | 2-7-13-18-20 | | | | |
| RZR-4/F/15 | 2-10-11-12 13-20 | RZR-26/L/25 | 11 | | 22-23-24-25 | | | | |
| | | RZR-26/H/8 | 21 | RZR-51/H/8 | 7-9-10-11-13 | | | | |
| RZR-4/H/20 | 3-5-6-10 | RZR-26/H/10 | 12 | | 14-18-20-21 | | | | |
| RZR-4/L/25 | 24-25 | RZR-26/H/15 | 11 | RZR-51/L/10 | 1-2-9-12-13 | | | | |
| RZR-4/O/30 | 7-10 | RZR-27/L/40 | 9 | | 21 | | | | |
| RZR-4/S/5 | 13-18-20 | RZR-28/H/20 | 4 | RZR-51/M/12 | 10 | | | | |
| RZR-4/T/12 | 10 | RZR-28/L/25 | 3-4 | RZR-58/F/16 | 5-10 | | | | |
| RZR-4/X/20 | 6 | RZR-30/B/14 | 7 | RZR-58/F/16 | 5-10 | | | | |
| RZR-4/Y/12 | 9 | RZR-30/E/25 | 3 | RZR-58/M/45 | 3 | | | | |
| RZR-4/W/20 | 5 | RZR-31/C/10 | 10 | RZR-59/C/10 | 8 | | | | |

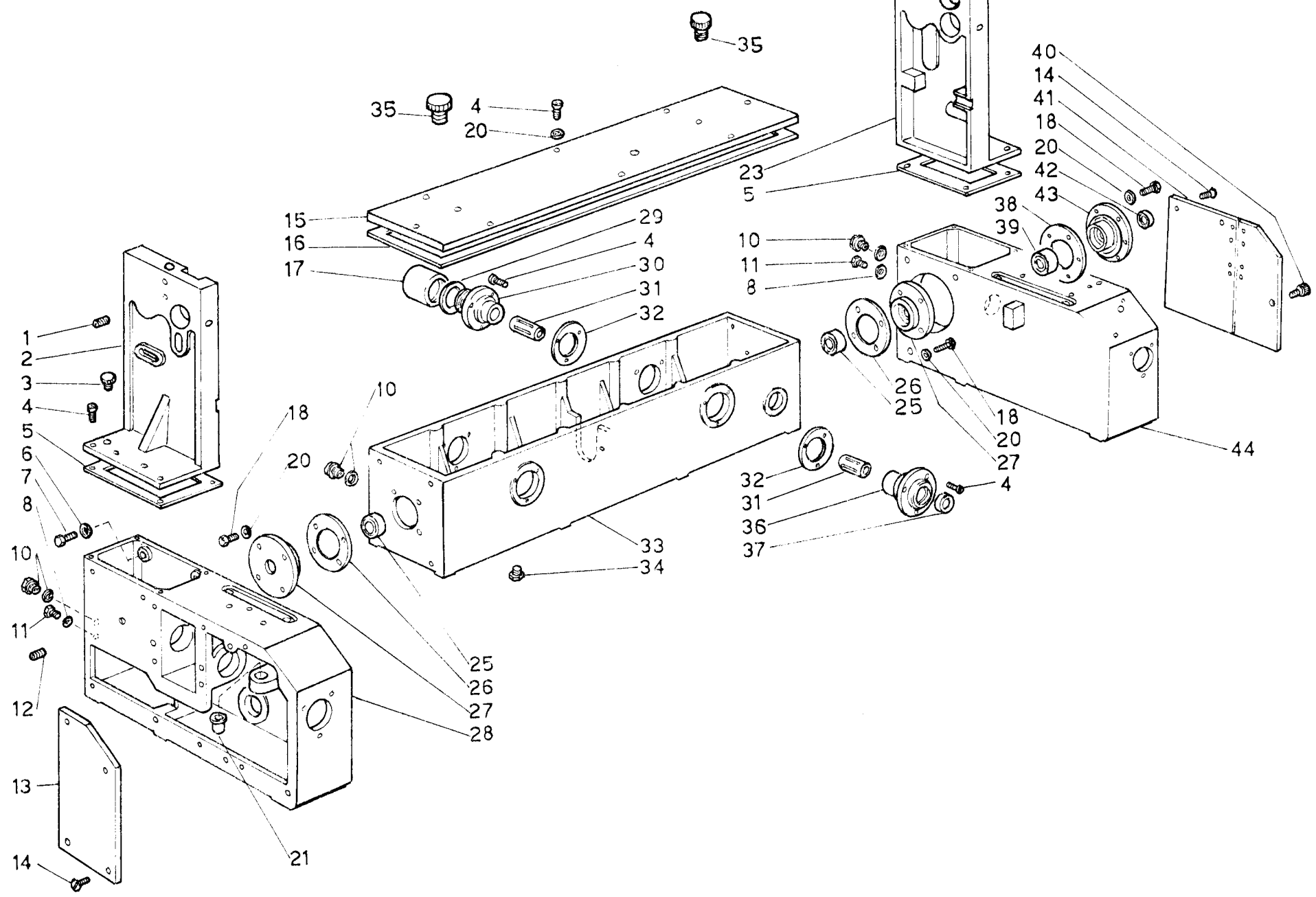


| Fig. N. Abb. N. | Part. N. Bestell N. Piece N. Pieza N. | DESCRIZIONE | Fig. N. Abb. N. | Part. N. Bestell N. Piece N. Pieza N. | DESCRIZIONE |
|--------------------|--|--------------------------------|--------------------|--|-------------|
| ● | RZR-G135/80/5013 | carter trasmissione completo | | | |
| 1 | RZR-P135/80/5007 | basamento | | | |
| 2 | RZR-2/C/14 | vite | | | |
| 3 | RZR-015/80/7471 | asta fissa tensionatore | | | |
| 4 | RZR-135/80/7461 | supporto sinistro tensionatore | | | |
| 5 | RZR-4/A/8 | cuscinetto | | | |
| 6 | RZR-015/80/7470 | asta tensionatore | | | |
| 7 | RZR-015/80/7472 | asta mobile tensionatore | | | |
| 8 | RZR-26/F/15 | vite | | | |
| 9 | RZR-110/280/3554 | targhetta "COMEZ" | | | |
| 10 | RZR-36/H/25 | vite | | | |
| 11 | RZR-62/G/10 | rondella | | | |
| 12 | RZR-135/80/5020 | supporto pettine posteriore | | | |
| 13 | RZR-16/G/6 | vite | | | |
| 14 | RZR-51/L/10 | dado | | | |
| 15 | RZR-135/80/7460 | supporto destro tensionatore | | | |
| 16 | RZR-015/60/7455 | vite | | | |
| 17 | RZR-015/80/395 | pettine aperto fin. 15 | | | |
| 17 | RZR-014/80/411 | pettine aperto fin. 14 | | | |
| 17 | RZR-012/80/490 | pettine aperto fin. 12 | | | |
| 17 | RZR-805/20/10539 | pettine aperto fin. 20 | | | |
| 18 | RZR-2/D/16 | vite | | | |
| 19 | RZR-015/60/7456 | pomello | | | |
| 20 | RZR-125/80/5476 | passacavi | | | |
| 21 | RZR-015/80/4774 | passacavi | | | |
| 22 | RZR-3/D/8 | vite | | | |
| 23 | RZR-135/80/5018 | guarnizione carter | | | |
| 24 | RZR-015/80/364 | asta pettine posteriore | | | |
| 25 | RZR-135/80/5472 | morsetto | | | |
| 26 | RZR-1/E/5 | vite | | | |
| 27 | RZR-P135/80/5013 | carter trasmissione | | | |
| 28 | RZR-2/B/20 | vite | | | |

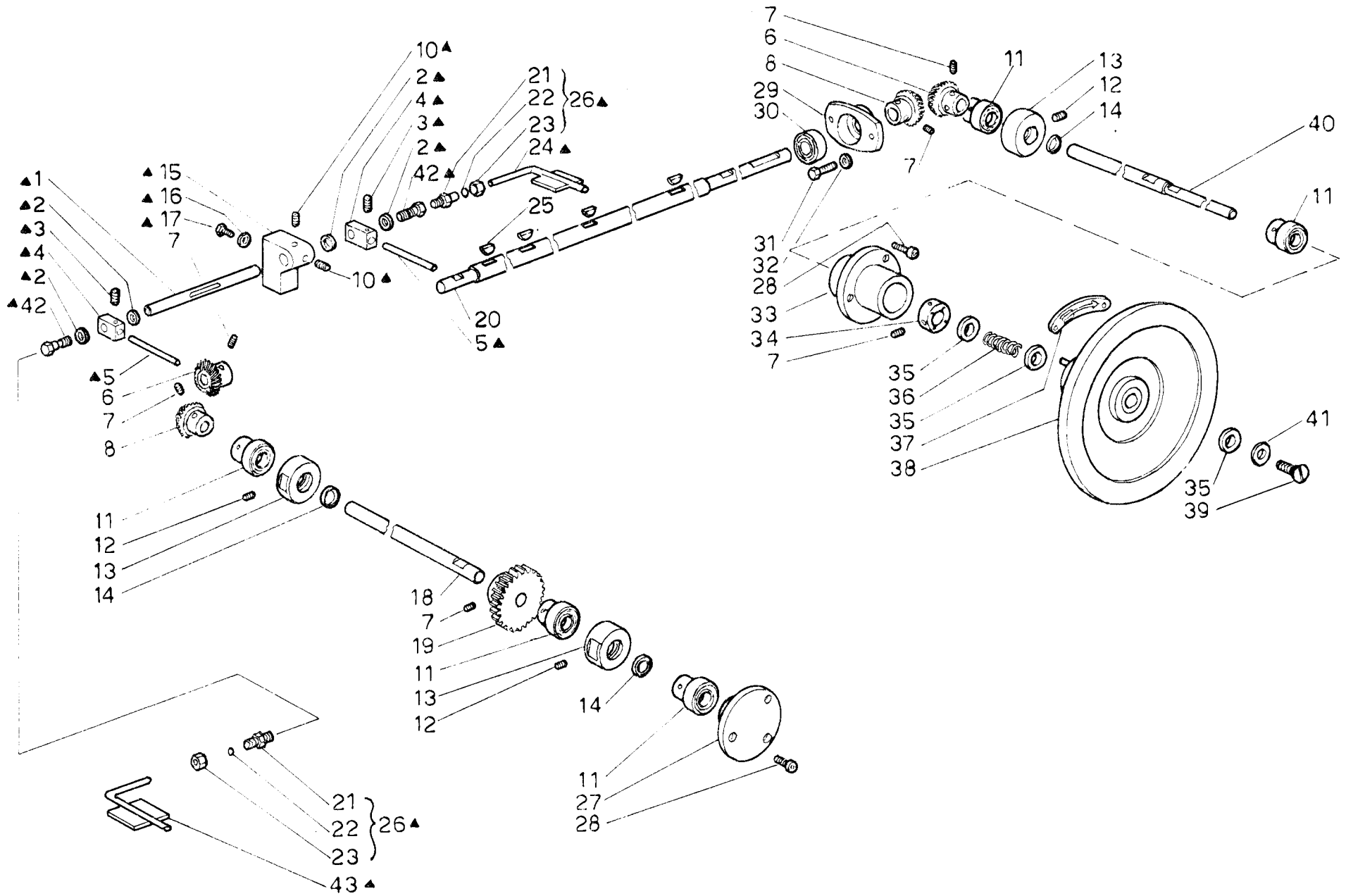


| Fig. N. Abb. N. | Part. N. Bestell N. Piece N. Pieza N. | DESCRIZIONE | Fig. N. Abb. N. | Part. N. Bestell N. Piece N. Pieza N. | DESCRIZIONE |
|--------------------|--|-----------------------------|--------------------|--|-------------|
| 1 | RZR-135/80/5039 | motore HP 1 | | | |
| 2 | RZR-36/G/20 | vite | | | |
| 3 | RZR-62/F/8 | rondella | | | |
| 4 | RZR-3/D/6 | vite | | | |
| 5 | RZR-135/80/5053 | volantino | | | |
| 6 | RZR-51/L/10 | dado | | | |
| 7 | RZR-62/G/10 | rondella | | | |
| 8 | RZR-59/H/12 | dado | | | |
| 9 | RZR-36/F/50 | vite | | | |
| 10 | RZR-51/G/6 | dado | | | |
| 11 | RZR-082/150/2065 | perno | | | |
| 12 | RZR-P801/15/10046 | supporto | | | |
| 13 | RZR-3/C/8 | vite | | | |
| 14 | RZR-805/15/10500 | puleggia motore | | | |
| 15 | RZR-015/60/021 | spinotto | | | |
| 16 | RZR-P135/80/5055 | alberino | | | |
| 17 | RZR-P135/80/5043 | braccio | | | |
| 18 | RZR-135/80/5040 | piastra | | | |
| 19 | RZR-082/150/2104 | anello | | | |
| 20 | RZR-135/80/5041 | perno | | | |
| 21 | RZR-16/G/15 | vite | | | |
| 22 | RZR-4/F/15 | cuscinetto | | | |
| 23 | RZR-36/G/25 | vite | | | |
| 24 | RZR-801/15/10003 | ruota dentata | | | |
| 25 | RZR-3/E/15 | vite | | | |
| 26 | RZR-801/15/10002 | ruota dentata | | | |
| 27 | RZR-805/15/10501 | puleggia trasm. 50 Hz | | | |
| 27 | RZR-805/15/10502 | puleggia trasm. 60 Hz | | | |
| 28 | RZR-020/60/671 | cinghia trapez. 50 Hz (A36) | | | |
| 28 | RZR-026/60/715 | cinghia trapez. 60 Hz (A38) | | | |
| 29 | RZR-801/15/10004 | cinghia dentata | | | |
| 30 | RZR-2/C/30 | vite | | | |
| 31 | RZR-60/E/6 | rondella | | | |
| 32 | RZR-36/F/10 | vite | | | |

CASSETTE - LATERALI - CENTRALE

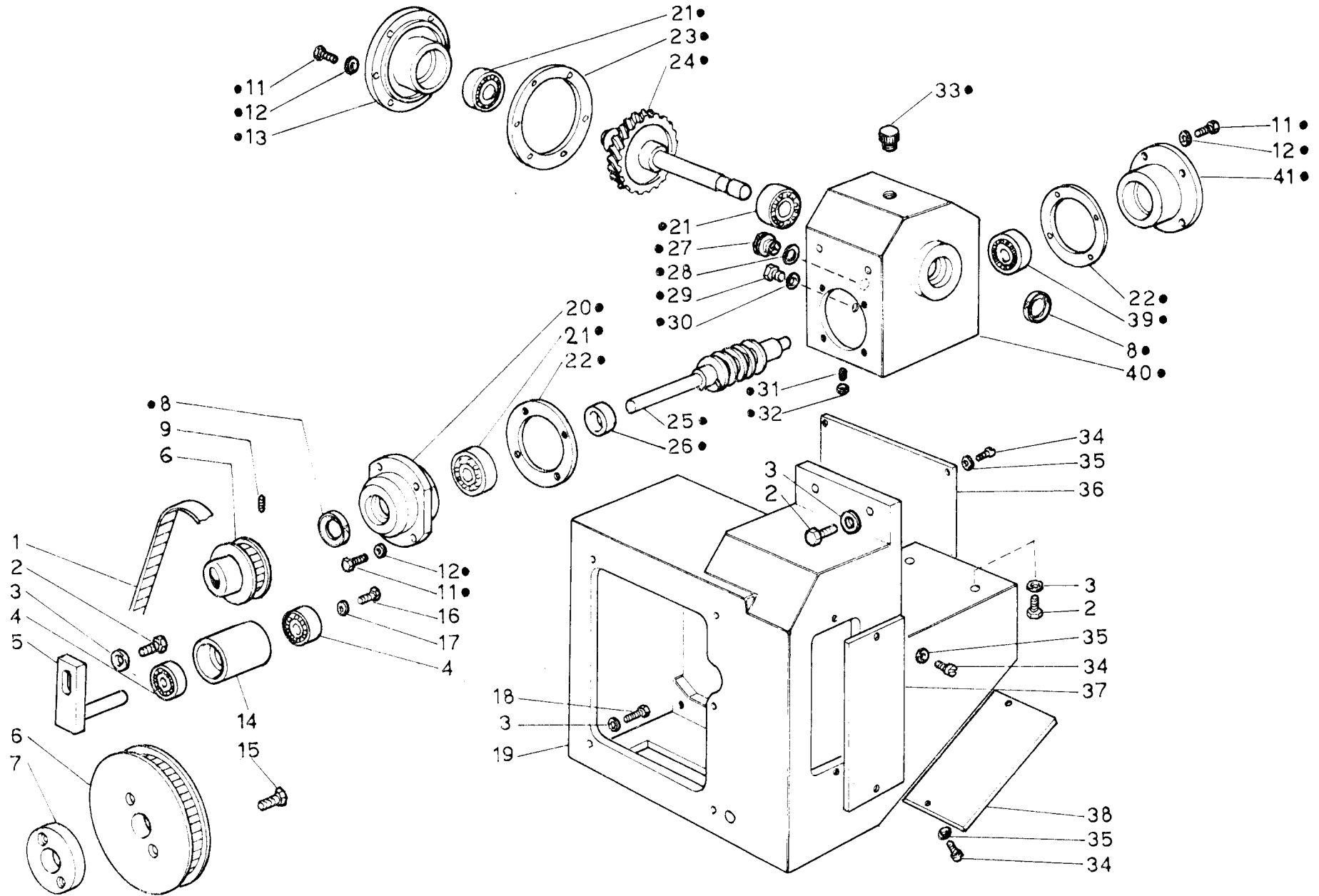


| Fig. N. Abb. N. | Part. N. Bestell N. Piece N. Pieza N. | DESCRIZIONE | Fig. N. Abb. N. | Part. N. Bestell N. Piece N. Pieza N. | DESCRIZIONE |
|--------------------|--|------------------------------|--------------------|--|-------------|
| 1 | RZR-3/D/8 | vite | | | |
| 2 | RZR-801/15/10014 | spalletta sinistra | | | |
| 3 | RZR-015/60/138 | tappo | | | |
| 4 | RZR-2/C/14 | vite | | | |
| 5 | RZR-801/15/10006 | guarnizione | | | |
| 6 | RZR-62/F/8 | rondella | | | |
| 7 | RZR-36/G/25 | vite | | | |
| 8 | RZR-125/80/4913 | guarnizione | | | |
| 10 | RZR-805/15/10509 | livello olio | | | |
| 11 | RZR-015/60/139 | tappo scarico olio | | | |
| 12 | RZR-135/80/5102 | tappo cassetta sinistra | | | |
| 13 | RZR-135/80/7774 | carter cassetta sinistra | | | |
| 14 | RZR-26/F/10 | vite | | | |
| 15 | RZR-135/80/5098 | coperchio cassetta centrale | | | |
| 16 | RZR-135/80/5099 | guarnizione | | | |
| 17 | RZR-015/80/4518 | coperchio bussola posteriore | | | |
| 18 | RZR-36/F/20 | vite | | | |
| 20 | RZR-62/D/6 | rondella | | | |
| 21 | RZR-135/80/5106 | bronzina | | | |
| 23 | RZR-801/15/10013 | spalletta destra | | | |
| 25 | RZR-28/L/25 | cuscinetto | | | |
| 26 | RZR-801/15/10039 | guarnizione | | | |
| 27 | RZR-135/80/5082 | copricuscinetto | | | |
| 28 | RZR-135/80/5085 | cassetta sinistra | | | |
| 29 | RZR-58/M/45 | rondella speciale | | | |
| 30 | RZR-801/15/10011 | bussola posteriore | | | |
| 31 | RZR-30/E/25 | cuscinetto assiale | | | |
| 32 | RZR-801/15/10037 | guarnizione | | | |
| 33 | RZR-801/15/10137 | cassetta centrale | | | |
| 34 | RZR-015/60/086 | tappo scarico olio | | | |
| 35 | RZR-805/15/10508 | tappo sfiato olio | | | |
| 36 | RZR-801/15/10010 | bussola anteriore | | | |
| 37 | RZR-12/E/25 | anello tenuta | | | |
| 38 | RZR-801/15/10049 | guarnizione | | | |
| 39 | RZR-4/H/20 | cuscinetto | | | |
| 40 | RZR-135/80/5105 | pomello carter | | | |
| 41 | RZR-G801/15/10007 | carter cassetta destra | | | |
| 42 | RZR-12/D/20 | anello tenuta | | | |
| 43 | RZR-135/80/5083 | copri cuscinetto | | | |
| 44 | RZR-135/80/5084 | cassetta destra | | | |

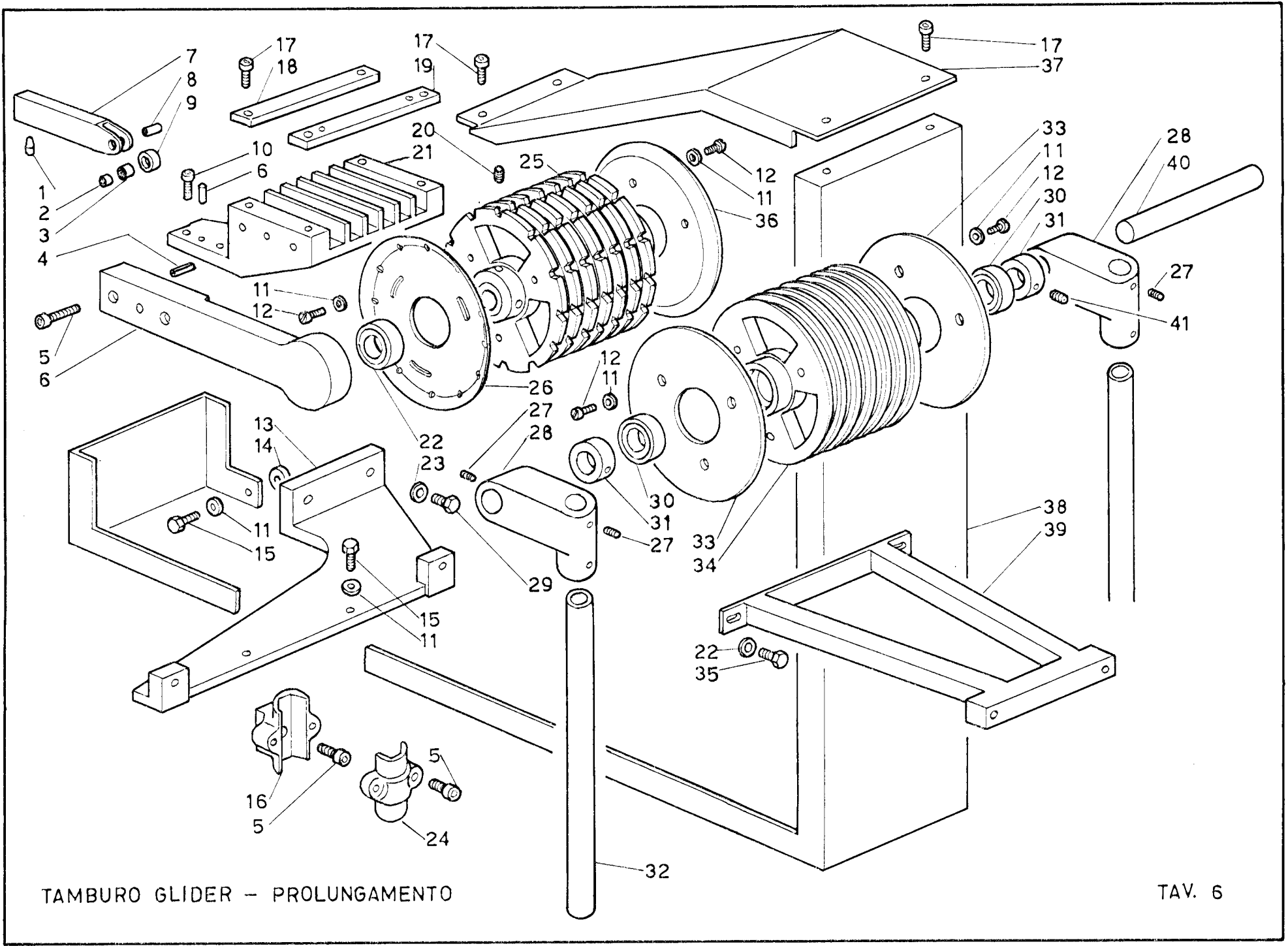


| Fig. N. Abb. N. | Part. N. Bestell N. Piece N. Pieza N. | DESCRIZIONE | Fig. N. Abb. N. | Part. N. Bestell N. Piece N. Pieza N. | DESCRIZIONE |
|--------------------|--|---------------------------|--------------------|--|-------------|
| ▲ | RZR-G810/15/10732 | gruppo lubrificazione | | | |
| 1 | RZR-125/80/4908 | tubo distribuzione | | | |
| 2 | RZR-125/80/4913 | guarnizione | | | |
| 3 | RZR-16/F/6 | vite | | | |
| 4 | RZR-125/80/4910 | blocchetto distribuzione | | | |
| 5 | RZR-801/15/10136 | tubetto | | | |
| 6 | RZR-015/80/4535 | pignone conico sinistro | | | |
| 7 | RZR-3/E/10 | vite | | | |
| 8 | RZR-015/80/4534 | pignone conico | | | |
| 10 | RZR-3/D/8 | vite | | | |
| 11 | RZR-28/H/20 | cuscinetto | | | |
| 12 | RZR-3/D/15 | vite | | | |
| 13 | RZR-135/80/5091 | porta cuscinetto | | | |
| 14 | RZR-12/D/20 | anello di tenuta | | | |
| 15 | RZR-810/15/10733 | supporto | | | |
| 16 | RZR-62/D/6 | rondella | | | |
| 17 | RZR-36/F/20 | vite | | | |
| 18 | RZR-135/80/5090 | albero sinistro | | | |
| 19 | RZR-015/60/7703 | ingranaggio per tramatore | | | |
| 20 | RZR-810/15/10730 | albero centrale | | | |
| 21 | RZR-125/80/4919 | nipplo | | | |
| 22 | RZR-125/80/4920 | anello di tenuta | | | |
| 23 | RZR-125/80/4921 | dado per raccordo | | | |
| 24 | RZR-P125/80/4917 | tubetto destro | | | |
| 25 | RZR-9/B/25 | chiavetta | | | |
| 26 | RZR-G125/80/4919 | raccordo completo | | | |
| 27 | RZR-015/80/4529 | copricuscinetto | | | |
| 28 | RZR-2/C/10 | vite | | | |
| 29 | RZR-015/60/083 | supporto cuscinetto | | | |
| 30 | RZR-28/L/25 | cuscinetto | | | |
| 31 | RZR-36/G/20 | vite | | | |
| 32 | RZR-62/F/8 | rondella | | | |
| 33 | RZR-801/15/10012 | copricuscinetto | | | |
| 34 | RZR-801/15/10019 | anello | | | |
| 35 | RZR-60/W/15 | rondella | | | |
| 36 | RZR-082/150/2099 | molla | | | |
| 37 | RZR-015/60/114 | targhetta di rotazione | | | |
| 38 | RZR-P801/15/10016 | volantino | | | |
| 39 | RZR-26/F/15 | vite | | | |
| 40 | RZR-135/80/5089 | albero destro | | | |
| 41 | RZR-60/C/5 | rondella | | | |
| 42 | RZR-125/80/4916 | raccordo | | | |
| 43 | RZR-P810/15/10731 | tubetto sinistro | | | |

RIDUTTORE

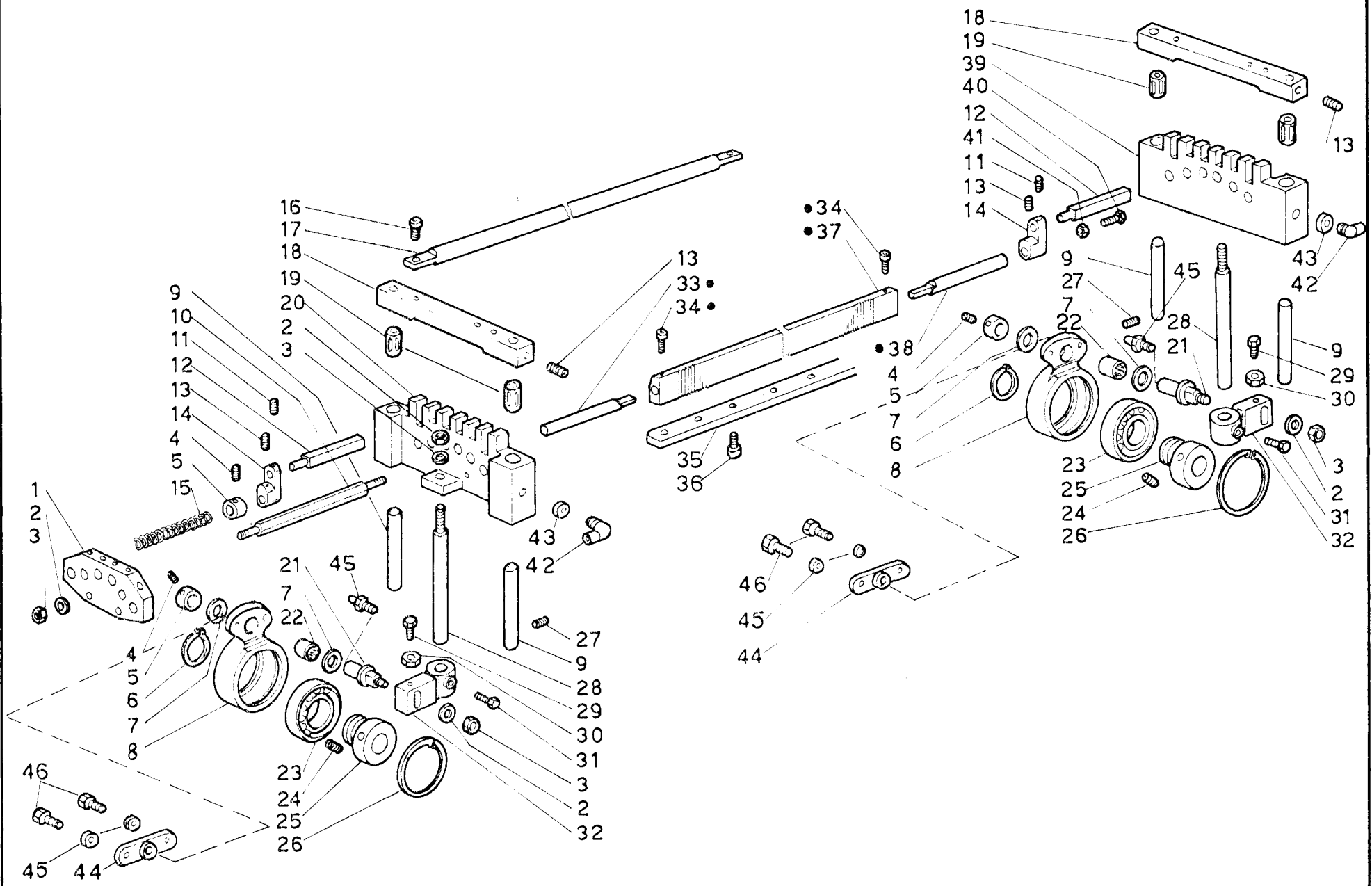


| Fig. N. Abb. N. | Part. N. Bestell N. Piece N. Pieza N. | DESCRIZIONE | Fig. N. Abb. N. | Part. N. Bestell N. Piece N. Pieza N. | DESCRIZIONE |
|--------------------|--|----------------------------|--------------------|--|-------------|
| ● | RZR-G810/15/10724 | riduttore completo | | | |
| 1 | RZR-801/15/10022 | cinghia dentata | | | |
| 2 | RZR-36/G/25 | vite | | | |
| 3 | RZR-62/F/8 | rondella | | | |
| 4 | RZR-4/D/10 | cuscinetto | | | |
| 5 | RZR-P805/15/10504 | supporto | | | |
| 6 | RZR-805/15/10503 | ingranaggio | | | |
| 8 | RZR-12/D/20 | anello di tenuta | | | |
| 9 | RZR-3/D/10 | vite | | | |
| 11 | RZR-36/F/15 | vite | | | |
| 12 | RZR-14/C/6 | rondella | | | |
| 13 | RZR-135/80/5142 | copricuscinetto laterale | | | |
| 14 | RZR-801/15/10026 | rullo tendicinghia | | | |
| 15 | RZR-2/D/35 | vite | | | |
| 16 | RZR-36/F/10 | vite | | | |
| 17 | RZR-62/D/6 | rondella | | | |
| 18 | RZR-36/G/20 | vite | | | |
| 19 | RZR-135/80/5140 | supporto riduttore | | | |
| 20 | RZR-135/80/5145 | copricuscinetto anteriore | | | |
| 21 | RZR-4/H/20 | cuscinetto | | | |
| 22 | RZR-801/15/10044 | guarnizione | | | |
| 23 | RZR-801/15/10049 | guarnizione | | | |
| 24 | RZR-P135/80/5146 | ingranaggio | | | |
| 25 | RZR-810/15/10725 | vite senza fine | | | |
| 26 | RZR-135/80/5148 | distanziale | | | |
| 27 | RZR-082/150/2020 | livello olio | | | |
| 28 | RZR-58/F/16 | rondella | | | |
| 29 | RZR-015/60/139 | tappo scarico | | | |
| 30 | RZR-125/80/4913 | guarnizioni | | | |
| 31 | RZR-16/F/12 | vite | | | |
| 32 | RZR-51/F/5 | dado | | | |
| 33 | RZR-015/60/138 | tappo rifornimento | | | |
| 34 | RZR-1/G/10 | vite | | | |
| 35 | RZR-62/C/5 | rondella | | | |
| 36 | RZR-135/80/5152 | carter trasmissione | | | |
| 37 | RZR-135/80/5153 | carter rullo tendicinghia | | | |
| 38 | RZR-135/80/5154 | carter inferiore | | | |
| 39 | RZR-4/H/20 | cuscinetto | | | |
| 40 | RZR-135/80/5141 | scatola riduttore | | | |
| 41 | RZR-810/15/10726 | copricuscinetto posteriore | | | |
| 42 | RZR-4/W/20 | cuscinetto | | | |

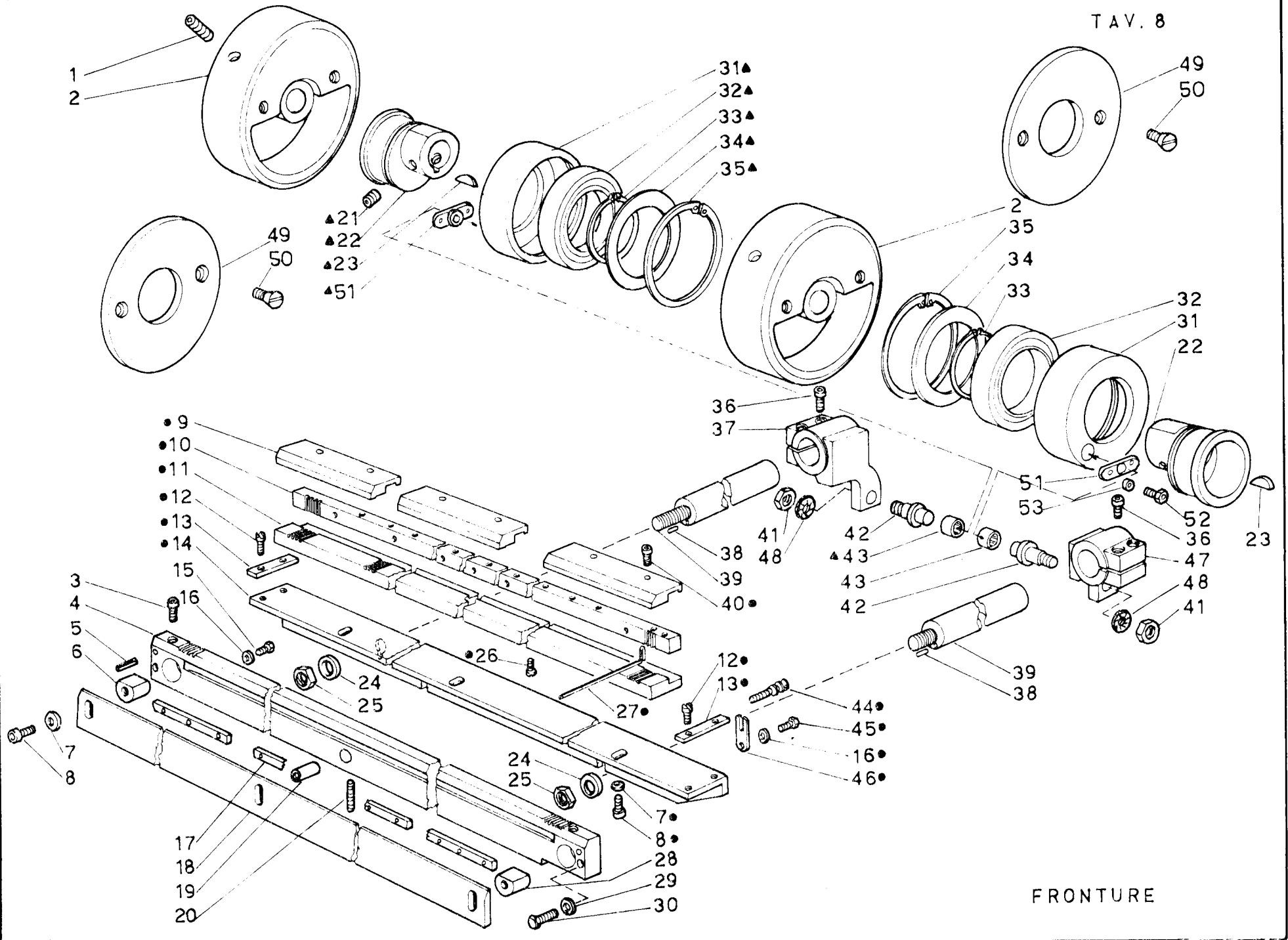


TAMBURO GLIDER - PROLUNGAMENTO

| Fig. N. Abb. N. | Part. N. Bestell N. Piece N. Pieza N. | DESCRIZIONE | Fig. N. Abb. N. | Part. N. Bestell N. Piece N. Pieza N. | DESCRIZIONE |
|--------------------|--|------------------------|--------------------|--|-------------|
| 1 | RZR-015/60/057 | pernetto arresto | | | |
| 2 | RZR-015/60/285 | anello interno | | | |
| 3 | RZR-32/E/12 | cuscinetto a rullini | | | |
| 4 | RZR-20/E/30 | spina elastica | | | |
| 5 | RZR-2/D/25 | vite | | | |
| 6 | RZR-135/80/5181 | supporto | | | |
| 7 | RZR-015/80/4605 | asta scorrevole | | | |
| 8 | RZR-015/60/146 | perno | | | |
| 9 | RZR-015/80/4604 | rullo cuscinetto | | | |
| 10 | RZR-2/D/30 | vite | | | |
| 11 | RZR-62/D/6 | rondella | | | |
| 12 | RZR-1/H/10 | vite | | | |
| 13 | RZR-801/15/10033 | attacco superiore | | | |
| 14 | RZR-801/15/10048 | distanziale | | | |
| 15 | RZR-36/F/15 | vite | | | |
| 16 | RZR-801/15/10205 | corpo del morsetto | | | |
| 17 | RZR-2/C/10 | vite | | | |
| 18 | RZR-135/80/5188 | piastra | | | |
| 19 | RZR-801/15/10119 | piastra | | | |
| 20 | RZR-3/E/15 | vite | | | |
| 21 | RZR-135/80/5180 | supporto | | | |
| 22 | RZR-4/H/20 | cuscinetto | | | |
| 23 | RZR-62/F/8 | rondella | | | |
| 24 | RZR-082/150/2432 | coperchio del morsetto | | | |
| 25 | RZR-801/15/10060 | tamburo glider | | | |
| 26 | RZR-015/60/321 | flangia sinistra | | | |
| 27 | RZR-3/D/10 | vite | | | |
| 28 | RZR-801/15/10206 | supporto | | | |
| 29 | RZR-36/G/25 | vite | | | |
| 30 | RZR-4/X/20 | cuscinetto | | | |
| 31 | RZR-020/60/646 | anello | | | |
| 32 | RZR-801/15/10034 | asta | | | |
| 33 | RZR-801/15/10031 | flangia | | | |
| 34 | RZR-801/15/10030 | tamburo | | | |
| 35 | RZR-36/G/20 | vite | | | |
| 36 | RZR-015/60/320 | flangia | | | |
| 37 | RZR-801/15/10038 | carter superiore | | | |
| 38 | RZR-P801/15/10036 | carter inferiore | | | |
| 39 | RZR-P801/15/10035 | sostegno inferiore | | | |
| 40 | RZR-801/15/10032 | perno | | | |
| 41 | RZR-3/C/8 | vite | | | |

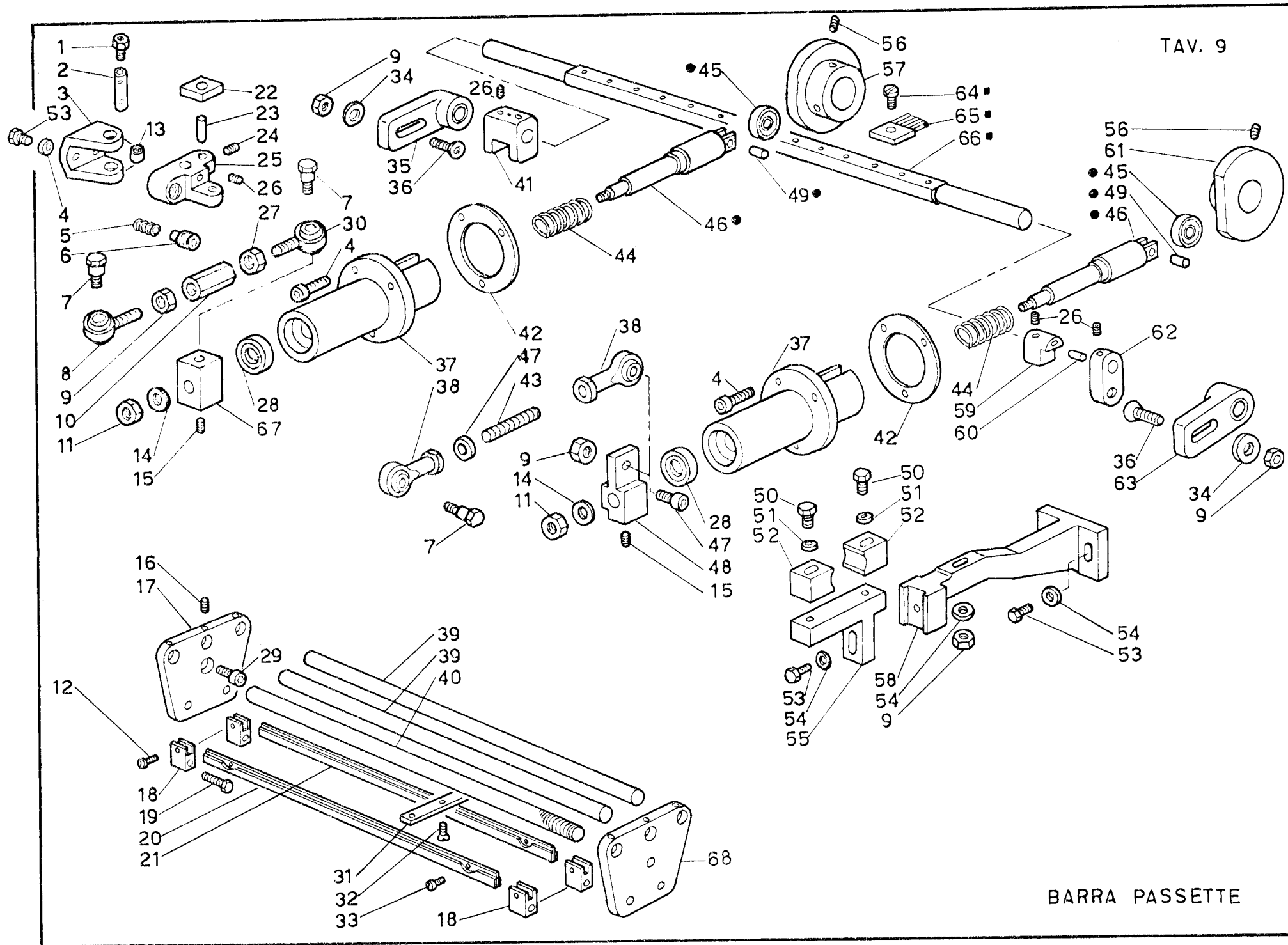


| Fig. N. Abb. N. | Part. N. Bestell N. Piecce N. Pieza N. | DESCRIZIONE | Fig. N. Abb. N. | Part. N. Bestell N. Piecce N. Pieza N. | DESCRIZIONE |
|--------------------|---|--|--------------------|---|----------------------------|
| ● | RZR-G135/80/5229 | barra completa fin. 15 | 39 | RZR-801/15/10040 | piastra porta barre destra |
| ● | RZR-G134/80/5230 | barra completa fin. 14 | 40 | RZR-36/R/25 | vite |
| ● | RZR-G132/80/5231 | barra completa fin. 12 | 41 | RZR-51/G/6 | dado |
| ● | RZR-G010/80/4611 | barra completa fin. 10 (per m/c fin. 20) | 42 | RZR-801/15/10066 | ingrassatore |
| 1 | RZR-135/80/5226 | piastra | 43 | RZR-61/E/8 | rondella |
| 2 | RZR-62/F/8 | rondella | 44 | RZR-810/15/10736 | blocchetto |
| 3 | RZR-51/H/8 | dado | 45 | RZR-805/15/10533 | ingrassatore |
| 4 | RZR-16/F/4 | vite | 46 | RZR-36/F/15 | vite |
| 5 | RZR-015/60/010 | anello | 47 | RZR-50/D/6 | rondella |
| 6 | RZR-7/H/30 | anello di fermo | | | |
| 7 | RZR-125/80/4864 | rondella di rasamento | | | |
| 8 | RZR-135/80/5228 | biella | | | |
| 9 | RZR-801/15/10043 | colonna guida piastra | | | |
| 10 | RZR-125/80/4868 | perno | | | |
| 11 | RZR-3/D/6 | vite | | | |
| 12 | RZR-015/60/188 | spina | | | |
| 13 | RZR-3/D/8 | vite | | | |
| 14 | RZR-015/60/187 | supportino | | | |
| 15 | RZR-015/60/190 | molla | | | |
| 16 | RZR-2/B/12 | vite | | | |
| 17 | RZR-015/80/4610 | asta rinvio fili | | | |
| 18 | RZR-801/15/10042 | blocchetti | | | |
| 19 | RZR-30/B/14 | cuscinetti assiali | | | |
| 20 | RZR-801/15/10041 | piastra porta barre sinistra | | | |
| 21 | RZR-125/80/4863 | perno | | | |
| 22 | RZR-31/D/12 | cuscinetti a rullini | | | |
| 23 | RZR-4/Q/30 | cuscinetto | | | |
| 24 | RZR-3/E/15 | vite | | | |
| 25 | RZR-135/80/5233 | eccentrico | | | |
| 26 | RZR-18/R/55 | anello di fermo | | | |
| 27 | RZR-3/D/10 | vite | | | |
| 28 | RZR-135/80/5221 | perno | | | |
| 29 | RZR-36/E/20 | vite | | | |
| 30 | RZR-51/F/5 | dado | | | |
| 31 | RZR-36/G/20 | vite | | | |
| 32 | RZR-135/80/5220 | supporto | | | |
| 33 | RZR-125/80/4866 | perno lungo | | | |
| 34 | RZR-2/B/10 | vite | | | |
| 35 | RZR-801/15/10210 | piattina rinforzo 1 ^a barra | | | |
| 36 | RZR-2/A/10 | vite | | | |
| 37 | RZR-015/80/360 | barra tubetti fin. 15 | | | |
| 37 | RZR-014/80/400 | barra tubetti fin. 14 | | | |
| 37 | RZR-012/80/480 | barra tubetti fin. 12 | | | |
| 37 | RZR-010/80/4611 | barra tubetti fin. 10 (per m/c fin. 20) | | | |
| 38 | RZR-135/80/5227 | perno corto | | | |



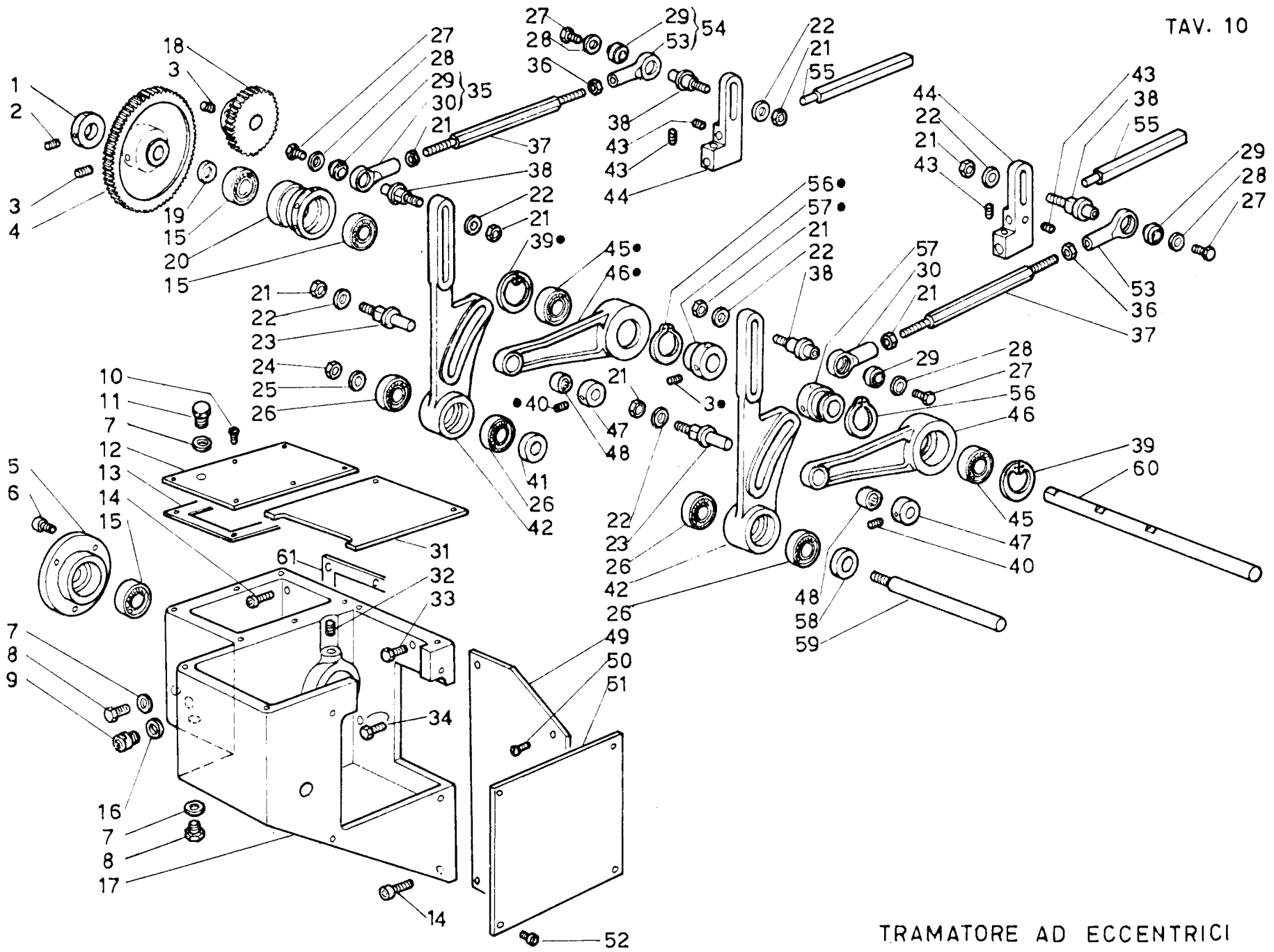
FRONTURE

| Fig. N. Abb. N. | Part. N. Bestell N. Piece N. Pieza N. | DESCRIZIONE | Fig. N. Abb. N. | Part. N. Bestell N. Piece N. Pieza N. | DESCRIZIONE |
|--------------------|--|----------------------------------|--------------------|--|---------------------------|
| ● | RZR-G015/80/367 | frontura posteriore fin. 15 | 29 | RZR-62/F/8 | rondella |
| ● | RZR-G014/80/402 | frontura posteriore fin. 14 | 30 | RZR-36/G/40 | vite |
| ● | RZR-G012/80/482 | frontura posteriore fin. 12 | 31 | RZR-125/80/4831 | biella per eccentrico |
| ● | RZR-G805/20/10540 | frontura posteriore fin. 20 | 32 | RZR-5/N/55 | cuscinetto |
| ▲ | RZR-G125/80/4830 | eccentrico frontura completo | 33 | RZR-7/R/55 | anello di fermo |
| 1 | RZR-3/E/30 | vite | 34 | RZR-60/T/70 | rondella |
| 2 | RZR-801/15/10045 | volano | 35 | RZR-18/S/100 | anello di fermo |
| 3 | RZR-36/F/20 | vite | 36 | RZR-2/D/25 | vite |
| 4 | RZR-015/80/375 | frontura anteriore fin. 15 | 37 | RZR-015/60/093 | supporto sinistro |
| 4 | RZR-014/80/404 | frontura anteriore fin. 14 | 38 | RZR-015/60/057 | spina |
| 4 | RZR-012/80/484 | frontura anteriore fin. 12 | 39 | RZR-015/60/094 | pistone cassetta centrale |
| 4 | RZR-805/20/10543 | frontura anteriore fin. 20 | 40 | RZR-2/M/14 | vite |
| 5 | RZR-20/D/30 | spina elastica | 41 | RZR-59/C/10 | dado |
| 6 | RZR-015/60/105 | perno di regolazione | 42 | RZR-810/15/10738 | perno |
| 7 | RZR-62/D/6 | rondella | 43 | RZR-31/E/12 | cuscinetto a rullini |
| 8 | RZR-2/C/14 | vite | 44 | RZR-015/60/100 | vite di regolazione |
| 9 | RZR-015/60/102 | placca fissa aghi fin. 15 | 45 | RZR-36/E/10 | vite |
| 9 | RZR-014/60/423 | placca fissa aghi fin. 14 | 46 | RZR-015/60/099 | piastrina |
| 9 | RZR-012/60/453 | placca fissa aghi fin. 12 | 47 | RZR-015/60/092 | supporto destro |
| 9 | RZR-020/60/679 | placca fin. 10 (per m/c fin. 20) | 48 | RZR-50/F/10 | rondella |
| 10 | RZR-015/80/4560 | barretta ferma aghi fin. 15 | 49 | RZR-810/15/10740 | coperchietto |
| 10 | RZR-014/80/4561 | barretta ferma aghi fin. 14 | 50 | RZR-26/F/15 | vite |
| 10 | RZR-012/80/4562 | barretta ferma aghi fin. 12 | 51 | RZR-805/15/10561 | blocchetto |
| 10 | RZR-805/20/10542 | barretta ferma aghi fin. 20 | 52 | RZR-36/F/15 | vite |
| 11 | RZR-015/80/367 | frontura posteriore fin. 15 | 53 | RZR-50/D/6 | rondella |
| 11 | RZR-014/80/402 | frontura posteriore fin. 14 | | | |
| 11 | RZR-012/80/482 | frontura posteriore fin. 12 | | | |
| 11 | RZR-805/20/10541 | frontura posteriore fin. 20 | | | |
| 12 | RZR-1/D/7 | vite | | | |
| 13 | RZR-015/60/140 | piastrina | | | |
| 14 | RZR-015/80/369 | angolare porta barre | | | |
| 15 | RZR-36/E/20 | vite | | | |
| 16 | RZR-62/C/5 | rondella | | | |
| 17 | RZR-801/15/10093 | barretta riportata | | | |
| 18 | RZR-805/15/10562 | asta ferma lavoro | | | |
| 19 | RZR-015/80/396 | perno centrale | | | |
| 20 | RZR-3/D/50 | vite | | | |
| 21 | RZR-3/E/10 | vite | | | |
| 22 | RZR-125/80/4830 | corpo eccentrico | | | |
| 23 | RZR-9/B/25 | chiavetta | | | |
| 24 | RZR-60/L/12 | rondella | | | |
| 25 | RZR-59/E/12 | dado | | | |
| 26 | RZR-1/G/14 | vite | | | |
| 27 | RZR-125/80/4832 | ago a becco | | | |
| 28 | RZR-015/60/405 | perno di regolazione | | | |



BARRA PASSETTE

| Fig. N. Abb. N. | Part. N. Bestell N. Piece N. Pieza N. | DESCRIZIONE | Fig. N. Abb. N. | Part. N. Bestell N. Piece N. Pieza N. | DESCRIZIONE |
|--------------------|--|----------------------------------|--------------------|--|------------------------|
| ● | RZR-G801/15/10056 | pistone completo | 46 | RZR-801/15/10057 | pistone |
| 1 | RZR-801/15/10130 | ingrassatore | 47 | RZR-2/D/30 | vite |
| 2 | RZR-810/15/10712 | perno | 48 | RZR-801/15/10064 | blocchetto |
| 3 | RZR-810/15/10707 | supporto | 49 | RZR-801/15/10061 | perno |
| 4 | RZR-2/D/20 | vite | 50 | RZR-2/C/15 | vite |
| 5 | RZR-810/15/10711 | molla | 51 | RZR-62/D/6 | rondella |
| 6 | RZR-810/15/10718 | pernetto | 52 | RZR-P801/15/10135 | blocchetto |
| 7 | RZR-2/D/25 | vite | 53 | RZR-36/G/25 | vite |
| 8 | RZR-810/15/10702 | testa di biella filetto destro | 54 | RZR-62/F/8 | rondella |
| 9 | RZR-51/H/8 | dado | 55 | RZR-P801/15/10085 | supporto |
| 10 | RZR-810/15/10710 | manicotto | 56 | RZR-3/E/8 | vite |
| 11 | RZR-51/L/10 | dado | 57 | RZR-810/15/10700 | camme fin. 15-14 |
| 12 | RZR-1/E/5 | vite | 57 | RZR-810/12/10701 | camme fin. 12 |
| 13 | RZR-31/D/12 | astuccio a rullini | 58 | RZR-801/15/10211 | supporto |
| 14 | RZR-62/G/10 | rondella | 59 | RZR-63/G/32 | spina |
| 15 | RZR-3/D/10 | vite | 60 | RZR-3/C/8 | vite |
| 16 | RZR-16/G/8 | vite | 61 | RZR-801/15/10055 | camme |
| 17 | RZR-135/80/5283 | piastra sinistra | 62 | RZR-801/15/10065 | leva rotazione |
| 18 | RZR-015/60/264 | cavallotto | 63 | RZR-P135/80/5276 | supporto destro |
| 19 | RZR-36/F/25 | vite | 64 | RZR-801/15/10054 | passetta |
| 20 | RZR-G015/80/413 | comando arresto autom. ant. | 65 | RZR-810/15/10715 | barra passette fin. 15 |
| 21 | RZR-G015/80/382 | comando arresto autom. post. | 66 | RZR-810/14/10716 | barra passette fin. 14 |
| 22 | RZR-810/15/10713 | quadretto | 66 | RZR-810/12/10717 | barra passette fin. 12 |
| 23 | RZR-62/H/24 | spina | 67 | RZR-810/15/10709 | blocchetto |
| 24 | RZR-3/C/6 | vite | 68 | RZR-135/80/5284 | piastra destra |
| 25 | RZR-810/15/10708 | leva | | | |
| 26 | RZR-3/D/8 | vite | | | |
| 27 | RZR-015/60/7717 | dado filettato sinistro | | | |
| 28 | RZR-12/B/16 | anello di tenuta | | | |
| 29 | RZR-2/D/16 | vite | | | |
| 30 | RZR-810/15/10703 | testa di biella filetto sinistro | | | |
| 31 | RZR-015/80/394 | piattina | | | |
| 32 | RZR-26/F/10 | vite | | | |
| 33 | RZR-1/D/5 | vite | | | |
| 34 | RZR-082/150/2229 | rondella | | | |
| 35 | RZR-P135/80/5275 | supporto sinistro | | | |
| 36 | RZR-27/L/40 | vite | | | |
| 37 | RZR-801/15/10058 | canotto | | | |
| 38 | RZR-801/15/10062 | testa di biella | | | |
| 39 | RZR-015/80/362 | asta | | | |
| 40 | RZR-015/80/361 | vite divisione fili fin. 15-14 | | | |
| 40 | RZR-012/80/481 | vite divisione fili fin. 12 | | | |
| 41 | RZR-810/15/10714 | blocchetto | | | |
| 42 | RZR-801/15/10063 | guarnizione | | | |
| 43 | RZR-801/15/10063 | asta filettata | | | |
| 44 | RZR-801/15/10059 | molla | | | |
| 45 | RZR-4/Y/12 | cuscinetto | | | |

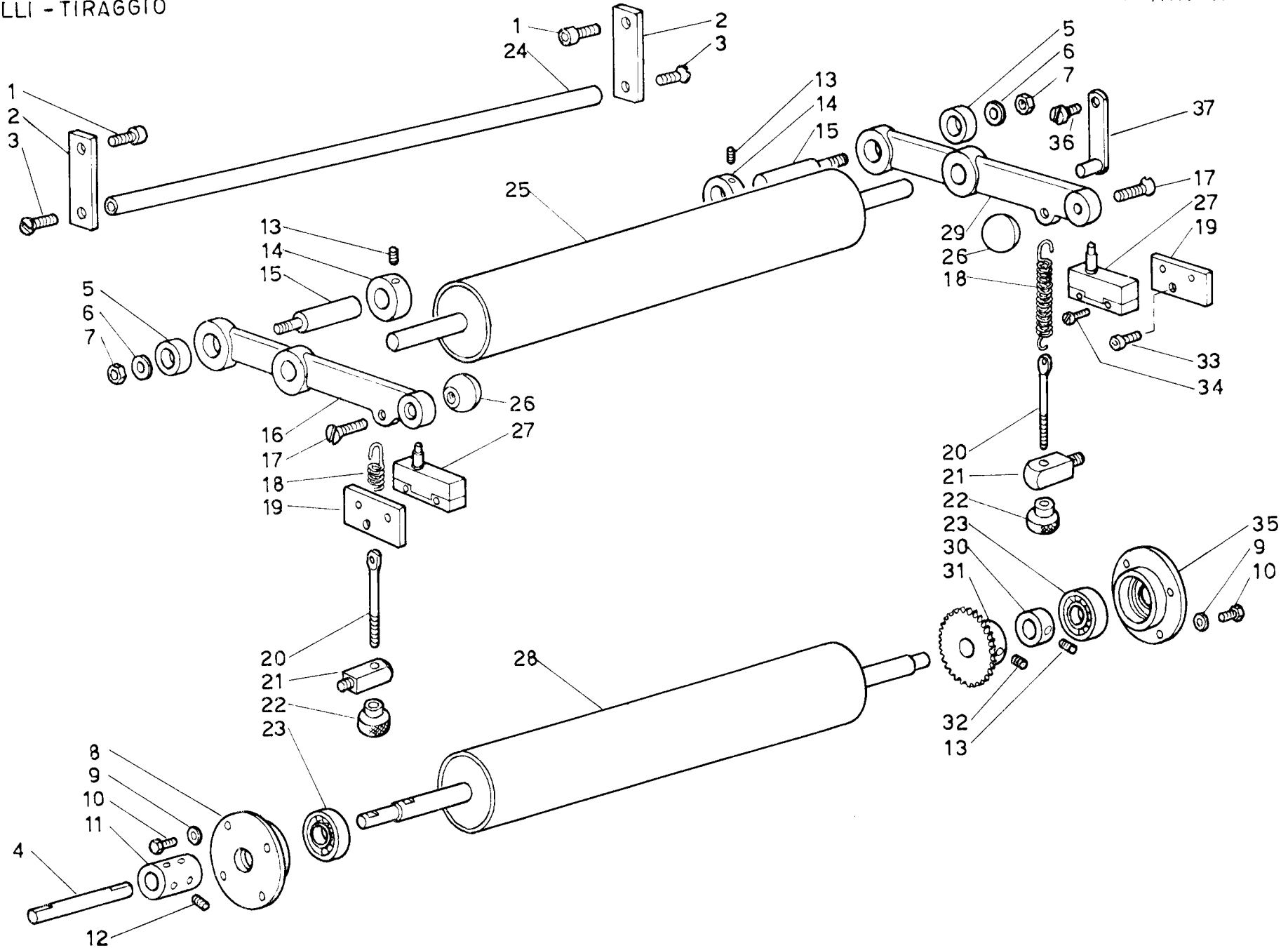


TRAMATORE AD ECCENTRICI

| Fig. N. Abb. N. | Part. N. Bestell N. Piece N. Pieza N. | DESCRIZIONE | Fig. N. Abb. N. | Part. N. Bestell N. Piece N. Pieza N. | DESCRIZIONE |
|--------------------|--|---------------------------------------|--------------------|--|----------------------------------|
| ● | RZR-G801/15/10094 | gruppo eccentrico | 49 | RZR-135/80/7774 | carter |
| 1 | RZR-015/60/271 | anello di spallamento | 50 | RZR-26/F/10 | vite |
| 2 | RZR-3/D/8 | vite | 51 | RZR-801/15/10099 | carter |
| 3 | RZR-3/E/10 | vite | 52 | RZR-1/G/10 | vite |
| 4 | RZR-135/80/7776 | ingranaggio | 53 | RZR-015/60/7715 | testa di biella fil. sinistra |
| 5 | RZR-015/80/4528 | copri cuscinetto | 54 | RZR-P015/60/7715 | testa di biella fil. sin. compl. |
| 6 | RZR-2/C/10 | vite | 55 | RZR-015/60/7722 | pernetto |
| 7 | RZR-125/80/4913 | rondella | 56 | RZR-7/H/30 | anello di fermo |
| 8 | RZR-015/60/139 | tappo scarico | 57 | RZR-135/80/5320 | corpo eccentrico |
| 9 | RZR-082/150/2020 | livello olio | 58 | RZR-801/15/10098 | distanziale |
| 10 | RZR-41/B/7 | vite | 59 | RZR-135/80/7780 | perno |
| 11 | RZR-015/60/138 | tappo filettato | 60 | RZR-801/15/10092 | perno |
| 12 | RZR-135/80/7771 | carter | 61 | RZR-801/15/10102 | guarnizione |
| 13 | RZR-801/15/10204 | guarnizione | | | |
| 14 | RZR-2/D/25 | vite | | | |
| 15 | RZR-4/H/20 | cuscinetto | | | |
| 16 | RZR-58/F/16 | rondella | | | |
| 17 | RZR-801/15/10090 | supporto | | | |
| 18 | RZR-015/60/7703 | ingranaggio conduttore | | | |
| 19 | RZR-17/Z/51 | anello di tenuta | | | |
| 20 | RZR-135/80/7777 | eccentrico | | | |
| 21 | RZR-51/H/8 | dado | | | |
| 22 | RZR-62/F/8 | rondella | | | |
| 23 | RZR-801/15/10100 | perno | | | |
| 24 | RZR-51/M/12 | dado | | | |
| 25 | RZR-62/H/12 | rondella | | | |
| 26 | RZR-4/F/15 | cuscinetto | | | |
| 27 | RZR-36/E/10 | vite | | | |
| 28 | RZR-14/B/5 | rondella | | | |
| 29 | RZR-015/60/165 | boccola oscillante | | | |
| 30 | RZR-015/60/7714 | testa di biella filett. destra | | | |
| 31 | RZR-801/15/10091 | carter | | | |
| 32 | RZR-3/E/15 | vite | | | |
| 33 | RZR-36/G/25 | vite | | | |
| 34 | RZR-36/G/20 | vite | | | |
| 35 | RZR-P015/60/7714 | testa di biella filett. destra compl. | | | |
| 36 | RZR-015/60/7717 | dadi filetto sinistro | | | |
| 37 | RZR-015/60/7718 | braccio di biella | | | |
| 38 | RZR-015/60/169 | pernetto | | | |
| 39 | RZR-18/R/55 | anello di fermo | | | |
| 40 | RZR-16/F/5 | vite | | | |
| 41 | RZR-801/15/10097 | distanziale | | | |
| 42 | RZR-801/15/10096 | leva | | | |
| 43 | RZR-3/D/6 | vite | | | |
| 44 | RZR-015/60/7719 | supporto | | | |
| 45 | RZR-4/Q/30 | cuscinetto | | | |
| 46 | RZR-801/15/10095 | biella per eccentrico | | | |
| 47 | RZR-801/15/10101 | anello | | | |
| 48 | RZR-31/C/10 | astuccio a rullini | | | |

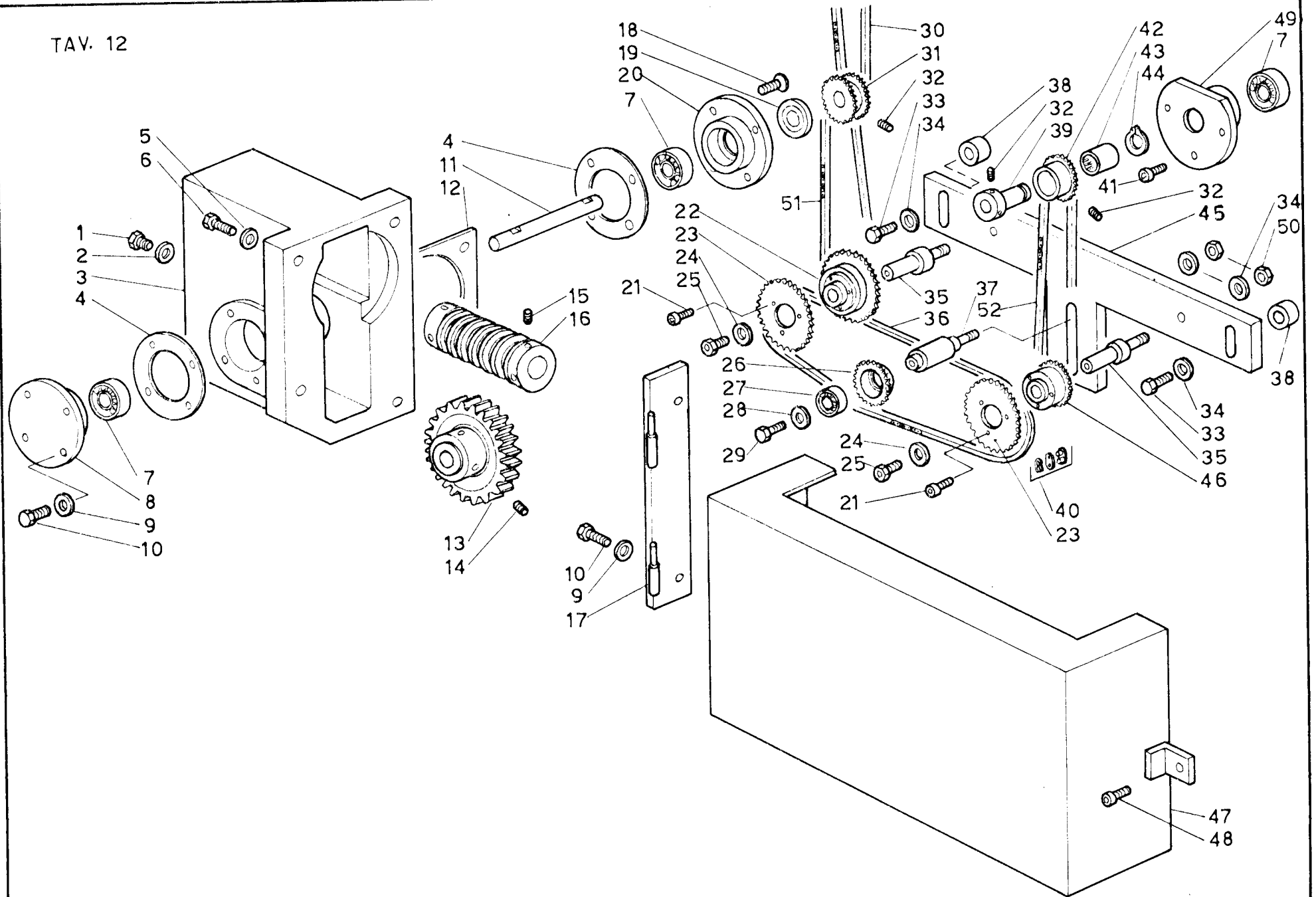
RULLI - TIRAGGIO

TAV. 11



| Fig. N. Abb. N. | Part. N. Bestell N. Piece N. Pieza N. | DESCRIZIONE | Fig. N. Abb. N. | Part. N. Bestell N. Piece N. Pieza N. | DESCRIZIONE |
|--------------------|--|------------------------|--------------------|--|-------------|
| 1 | RZR-2/D/16 | vite | | | |
| 2 | RZR-135/80/5340 | piastrina | | | |
| 3 | RZR-26/H/15 | vite | | | |
| 4 | RZR-801/15/10139 | albero | | | |
| 5 | RZR-015/60/243 | distanziale | | | |
| 6 | RZR-62/F/8 | rondella | | | |
| 7 | RZR-51/H/8 | dado | | | |
| 8 | RZR-135/80/5330 | copri cuscinetto | | | |
| 9 | RZR-62/D/6 | rondella | | | |
| 10 | RZR-36/F/15 | vite | | | |
| 11 | RZR-801/15/10140 | giunto | | | |
| 12 | RZR-3/D/8 | vite | | | |
| 13 | RZR-1/G/6 | vite | | | |
| 14 | RZR-015/60/245 | anello | | | |
| 15 | RZR-135/80/5334 | perno | | | |
| 16 | RZR-P015/60/067 | leva sinistra | | | |
| 17 | RZR-26/L/25 | vite | | | |
| 18 | RZR-015/60/230 | molla | | | |
| 19 | RZR-015/60/8689 | piastrina | | | |
| 20 | RZR-015/60/248 | tenditore | | | |
| 21 | RZR-135/80/5335 | sostegno | | | |
| 22 | RZR-015/60/247 | pomello | | | |
| 23 | RZR-4/F/15 | cuscinetto | | | |
| 24 | RZR-135/80/5339 | asta rinvio tessuto | | | |
| 25 | RZR-P015/80/398 | rullo superiore | | | |
| 26 | RZR-015/60/249 | pomolo | | | |
| 27 | RZR-015/60/8688 | microcontatto | | | |
| 28 | RZR-135/80/5332 | rullo inferiore | | | |
| 29 | RZR-P015/60/241 | leva destra | | | |
| 30 | RZR-015/60/245 | anello | | | |
| 31 | RZR-015/60/7829 | ingranaggio conduttore | | | |
| 32 | RZR-3/D/10 | vite | | | |
| 33 | RZR-2/B/10 | vite | | | |
| 34 | RZR-1/E/25 | vite | | | |
| 35 | RZR-135/80/5330 | copri cuscinetto | | | |
| 36 | RZR-13/B/10 | vite | | | |
| 37 | RZR-P015/60/244 | levetta | | | |

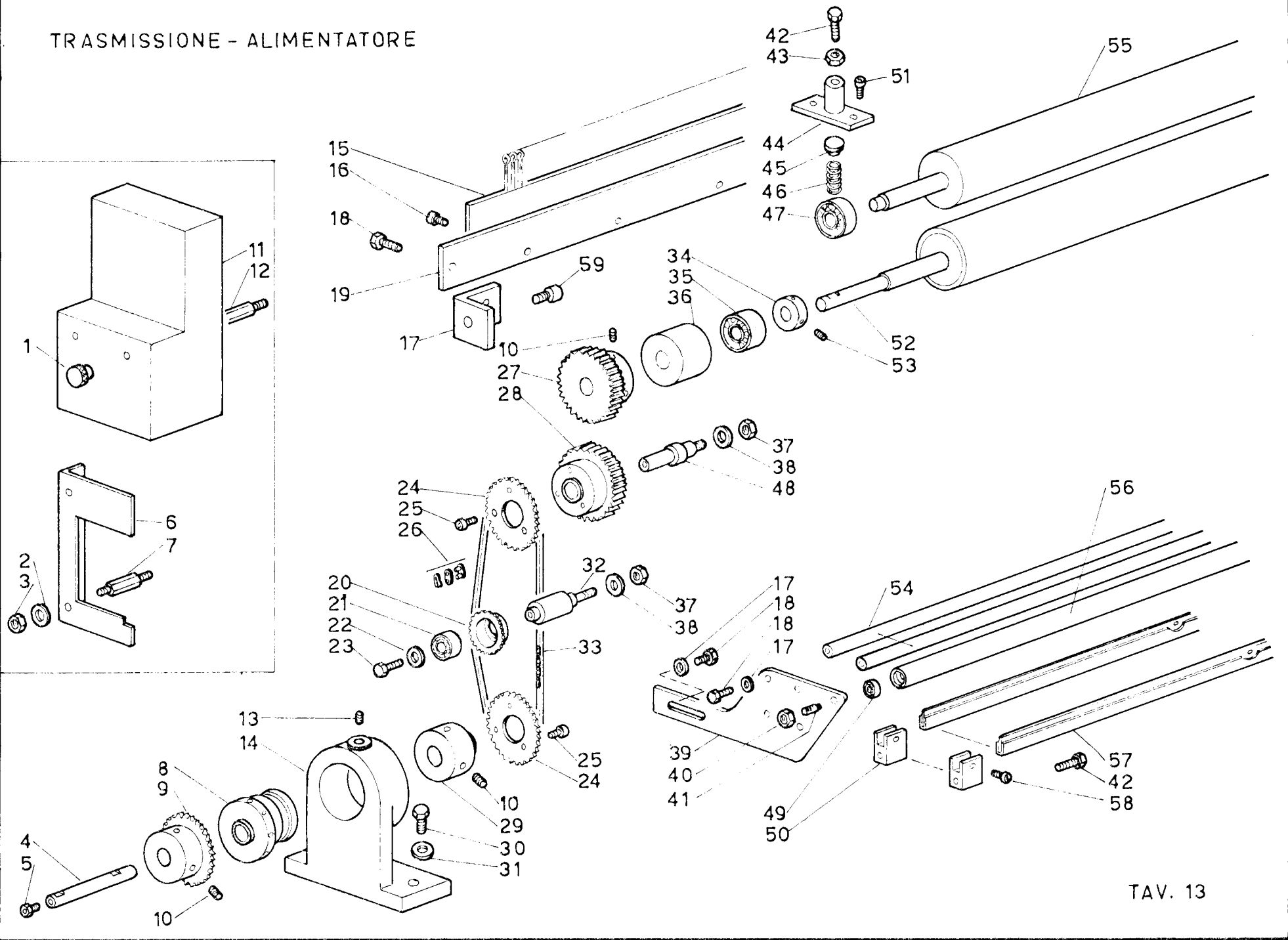
TAV. 12



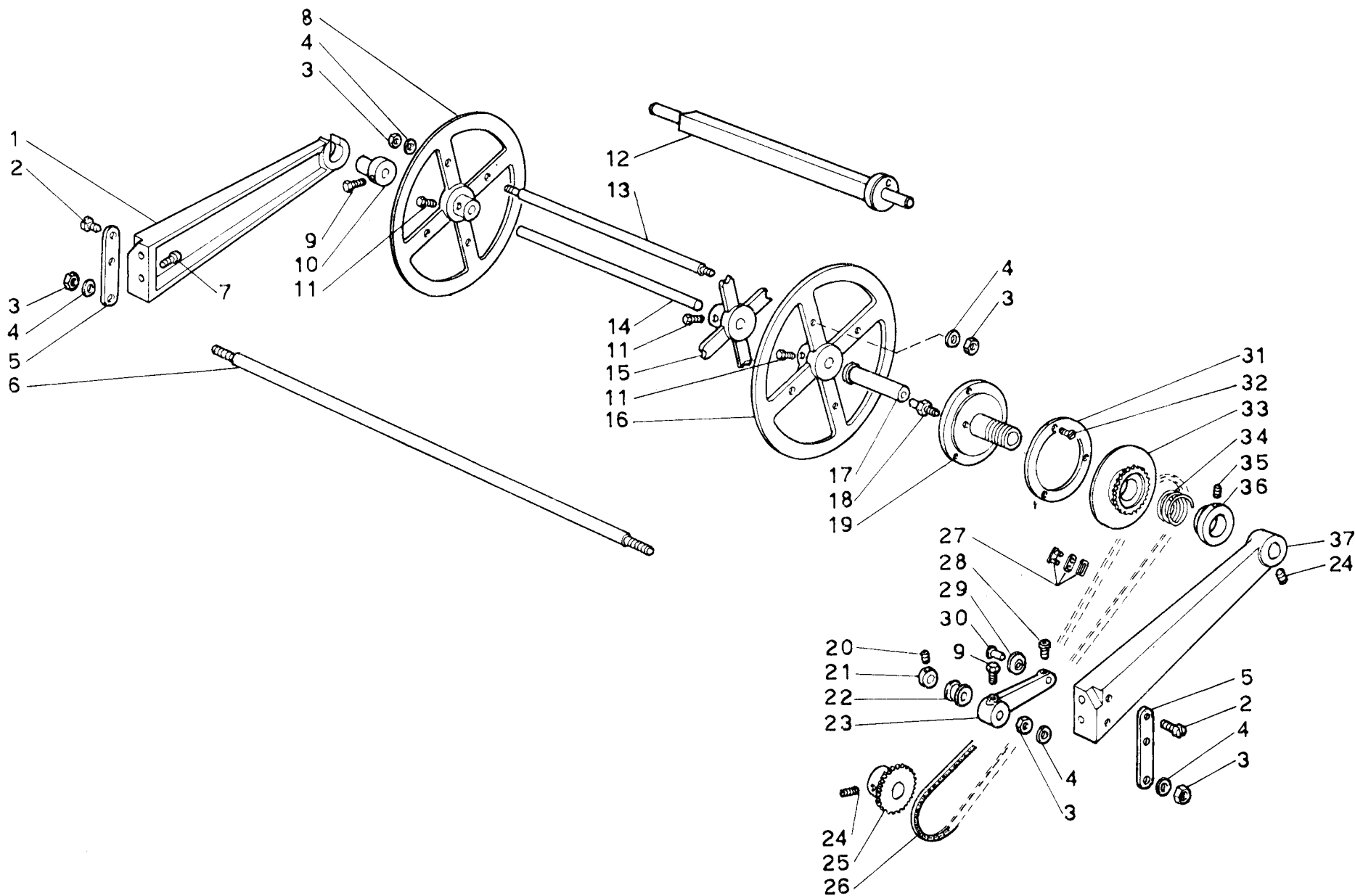
TRASMISSIONE - TIRAGGIO - DIRETTO

| Fig. N. Abb. N. | Part. N. Bestell N. Piece N. Pieza N. | DESCRIZIONE | Fig. N. Abb. N. | Part. N. Bestell N. Piece N. Pieza N. | DESCRIZIONE |
|--------------------|--|------------------------|--------------------|--|-------------------|
| 1 | RZR-015/60/139 | tappo | 39 | RZR-801/15/10132 | bussola |
| 2 | RZR-125/80/4913 | rondella | 40 | RZR-G135/60/846 | giunto per catena |
| 3 | RZR-801/15/10105 | scatola riduttore | 41 | RZR-2/C/10 | vite |
| 4 | RZR-801/15/10131 | guarnizione | 42 | RZR-801/15/10117 | ingranaggio |
| 5 | RZR-62/F/8 | rondella | 43 | RZR-801/15/10133 | ruota libera |
| 6 | RZR-36/G/25 | vite | 44 | RZR-7/G/20 | anello seeger |
| 7 | RZR-4/F/15 | cuscinetto | 45 | RZR-P801/15/10125 | supporto |
| 8 | RZR-801/15/10107 | copri cuscinetto | 46 | RZR-P801/15/10115 | ingranaggio |
| 9 | RZR-62/D/6 | rondella | 47 | RZR-P801/15/10127 | carter |
| 10 | RZR-36/F/15 | vite | 48 | RZR-2/B/20 | vite |
| 11 | RZR-801/15/10110 | albero | 49 | RZR-801/15/10138 | copri cuscinetto |
| 12 | RZR-801/15/10129 | guarnizione | 50 | RZR-51/L/10 | dado |
| 13 | RZR-801/15/10109 | ruota elicoidale | 51 | RZR-801/15/10121 | catena |
| 14 | RZR-3/E/10 | vite | 52 | RZR-801/15/10122 | catena |
| 15 | RZR-3/D/8 | vite | | | |
| 16 | RZR-801/15/10106 | vite per riduttore | | | |
| 17 | RZR-P801/15/10128 | piattina | | | |
| 18 | RZR-26/H/10 | vite | | | |
| 19 | RZR-12/C/15 | anello di tenuta | | | |
| 20 | RZR-801/15/10108 | copri cuscinetto | | | |
| 21 | RZR-2/B/10 | vite | | | |
| 22 | RZR-P801/15/10112 | ingranaggio | | | |
| 23 | RZR-110/310/6451 | corona Z 18 | | | |
| 23 | RZR-110/310/6464 | corona Z 19 | | | |
| 23 | RZR-110/310/6452 | corona Z 20 | | | |
| 23 | RZR-110/310/6465 | corona Z 21 | | | |
| 23 | RZR-110/310/6453 | corona Z 22 | | | |
| 23 | RZR-110/310/6466 | corona Z 23 | | | |
| 23 | RZR-110/310/6454 | corona Z 24 | | | |
| 23 | RZR-110/310/6467 | corona Z 25 | | | |
| 23 | RZR-110/310/6455 | corona Z 26 | | | |
| 23 | RZR-110/310/6458 | corona Z 27 | | | |
| 23 | RZR-110/310/6456 | corona Z 28 | | | |
| 23 | RZR-110/310/6459 | corona Z 29 | | | |
| 24 | RZR-60/F/8 | rondella | | | |
| 25 | RZR-805/15/10566 | ingrassatore | | | |
| 26 | RZR-135/80/5156 | ingranaggio tendicaten | | | |
| 27 | RZR-4/D/10 | cuscinetto | | | |
| 28 | RZR-60/E/6 | rondella | | | |
| 29 | RZR-36/F/10 | vite | | | |
| 30 | RZR-801/15/10151 | catena | | | |
| 31 | RZR-801/15/10111 | ingranaggio | | | |
| 32 | RZR-3/D/10 | vite | | | |
| 33 | RZR-36/H/40 | vite | | | |
| 34 | RZR-62/G/10 | rondella | | | |
| 35 | RZR-801/15/10120 | perno | | | |
| 36 | RZR-801/15/10124 | catena | | | |
| 37 | RZR-801/15/10123 | perno | | | |
| 38 | RZR-801/15/10126 | distanziale | | | |

TRASMISSIONE - ALIMENTATORE

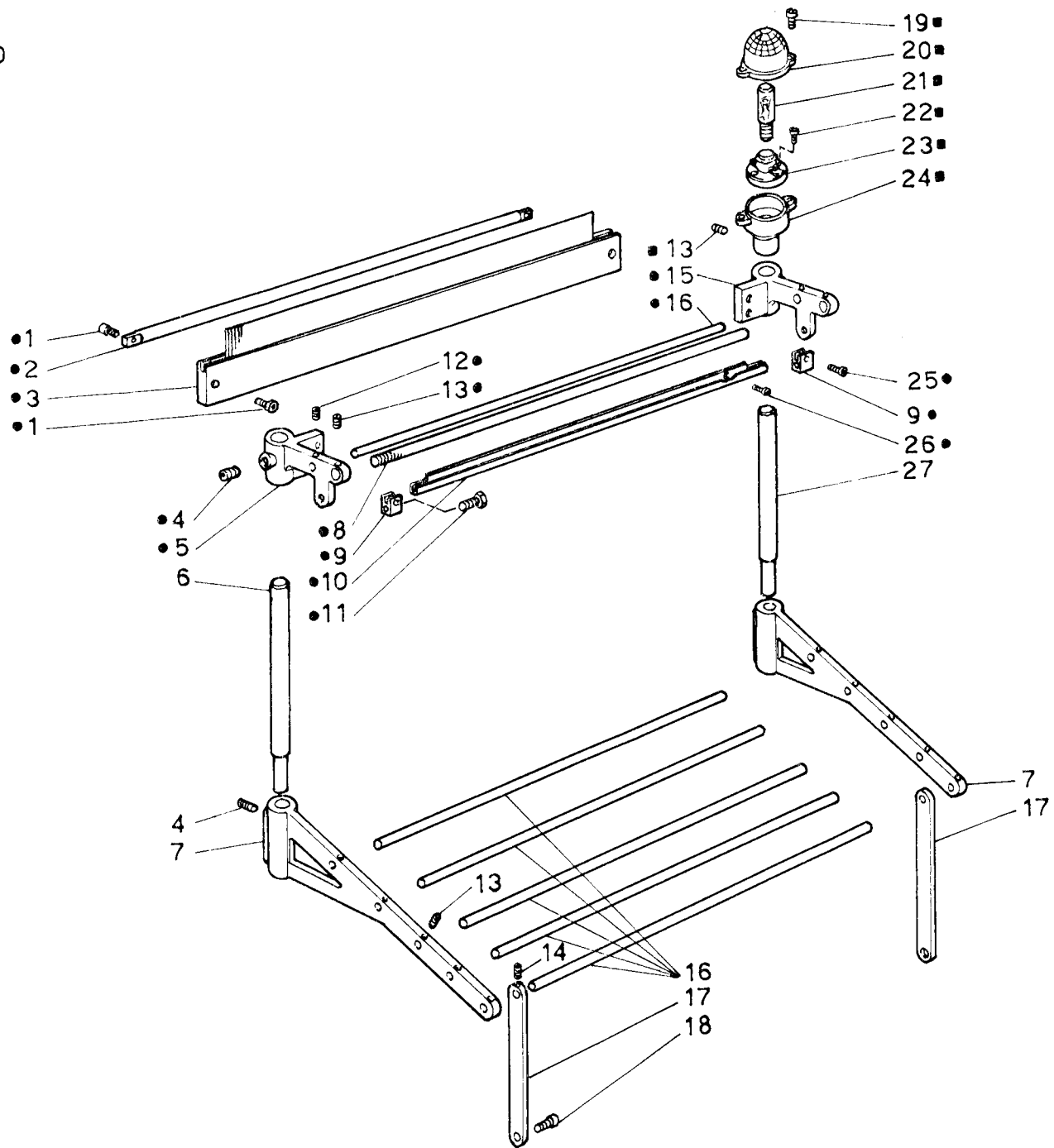


| Fig. N. Abb. N. | Part. N. Bestell N. Piece N. Pieza N. | DESCRIZIONE | Fig. N. Abb. N. | Part. N. Bestell N. Piece N. Pieza N. | DESCRIZIONE |
|--------------------|--|--------------------|--------------------|--|----------------------------|
| 1 | RZR-015/60/247 | pomello | 37 | RZR-51/L/10 | dado |
| 2 | RZR-62/C/5 | rondella | 38 | RZR-62/G/10 | rondella |
| 3 | RZR-51/F/5 | dado | 39 | RZR-801/15/10182 | piattina |
| 4 | RZR-801/15/10156 | perno | 40 | RZR-51/H/8 | dado |
| 5 | RZR-805/15/10566 | ingrassatore | 41 | RZR-015/80/8044 | vite |
| 6 | RZR-801/15/10169 | carter | 42 | RZR-36/F/22 | vite |
| 7 | RZR-801/15/10177 | tirante | 43 | RZR-51/G/6 | dado |
| 8 | RZR-P801/15/10152 | bussola eccentrica | 44 | RZR-801/15/10168 | blocchetti |
| 9 | RZR-801/15/10150 | ingranaggio | 45 | RZR-015/60/8116 | tappo per molla |
| 10 | RZR-3/D/10 | vite | 46 | RZR-015/60/8133 | molla |
| 11 | RZR-801/15/10170 | carter | 47 | RZR-4/E/12 | cuscinetto |
| 12 | RZR-801/15/10176 | tirante | 48 | RZR-801/15/10160 | perno |
| 13 | RZR-3/E/10 | vite | 49 | RZR-4/S/5 | cuscinetto |
| 14 | RZR-801/15/10154 | supporto | 50 | RZR-015/60/264 | cavallotto |
| 15 | RZR-015/80/395 | pettine fin. 15 | 51 | RZR-2/C/15 | vite |
| 15 | RZR-014/80/411 | pettine fin. 14 | 52 | RZR-P801/15/10163 | ruolo inferiore |
| 15 | RZR-012/80/490 | pettine fin. 12 | 53 | RZR-3/C/6 | vite |
| 15 | RZR-805/20/10539 | pettine fin. 20 | 54 | RZR-801/15/10183 | asta |
| 16 | RZR-1/G/10 | vite | 55 | RZR-P801/15/10166 | ruolo superiore |
| 17 | RZR-805/15/10565 | squadretta | 56 | RZR-801/15/10184 | asta ruotante |
| 18 | RZR-36/F/10 | vite | 57 | RZR-G801/15/10185 | comando arresto automatico |
| 19 | RZR-801/15/10175 | asta | 58 | RZR-1/E/5 | vite |
| 20 | RZR-135/80/5156 | tendicatena | 59 | RZR-36/G/20 | vite |
| 21 | RZR-4/D/10 | cuscinetto | | | |
| 22 | RZR-60/E/6 | rondella | | | |
| 23 | RZR-36/F/10 | vite | | | |
| 24 | RZR-110/310/6450 | ingranaggio Z-16 | | | |
| 24 | RZR-110/310/6451 | ingranaggio Z-18 | | | |
| 24 | RZR-110/310/6452 | ingranaggio Z-20 | | | |
| 24 | RZR-110/310/6453 | ingranaggio Z-22 | | | |
| 24 | RZR-110/310/6454 | ingranaggio Z-24 | | | |
| 24 | RZR-110/310/6455 | ingranaggio Z-26 | | | |
| 24 | RZR-110/310/6456 | ingranaggio Z-28 | | | |
| 24 | RZR-110/310/6457 | ingranaggio Z-30 | | | |
| 25 | RZR-2/B/10 | vite | | | |
| 26 | RZR-G035/60/846 | giunto per catena | | | |
| 27 | RZR-801/15/10165 | ingranaggio | | | |
| 28 | RZR-P801/15/10157 | ingranaggio | | | |
| 29 | RZR-801/15/10155 | bussola | | | |
| 30 | RZR-36/G/25 | vite | | | |
| 31 | RZR-62/F/8 | rondella | | | |
| 32 | RZR-801/15/10161 | perno | | | |
| 33 | RZR-801/15/10162 | catena | | | |
| 34 | RZR-015/60/245 | anello | | | |
| 35 | RZR-4/F/15 | cuscinetto | | | |
| 36 | RZR-801/15/10164 | bussola | | | |

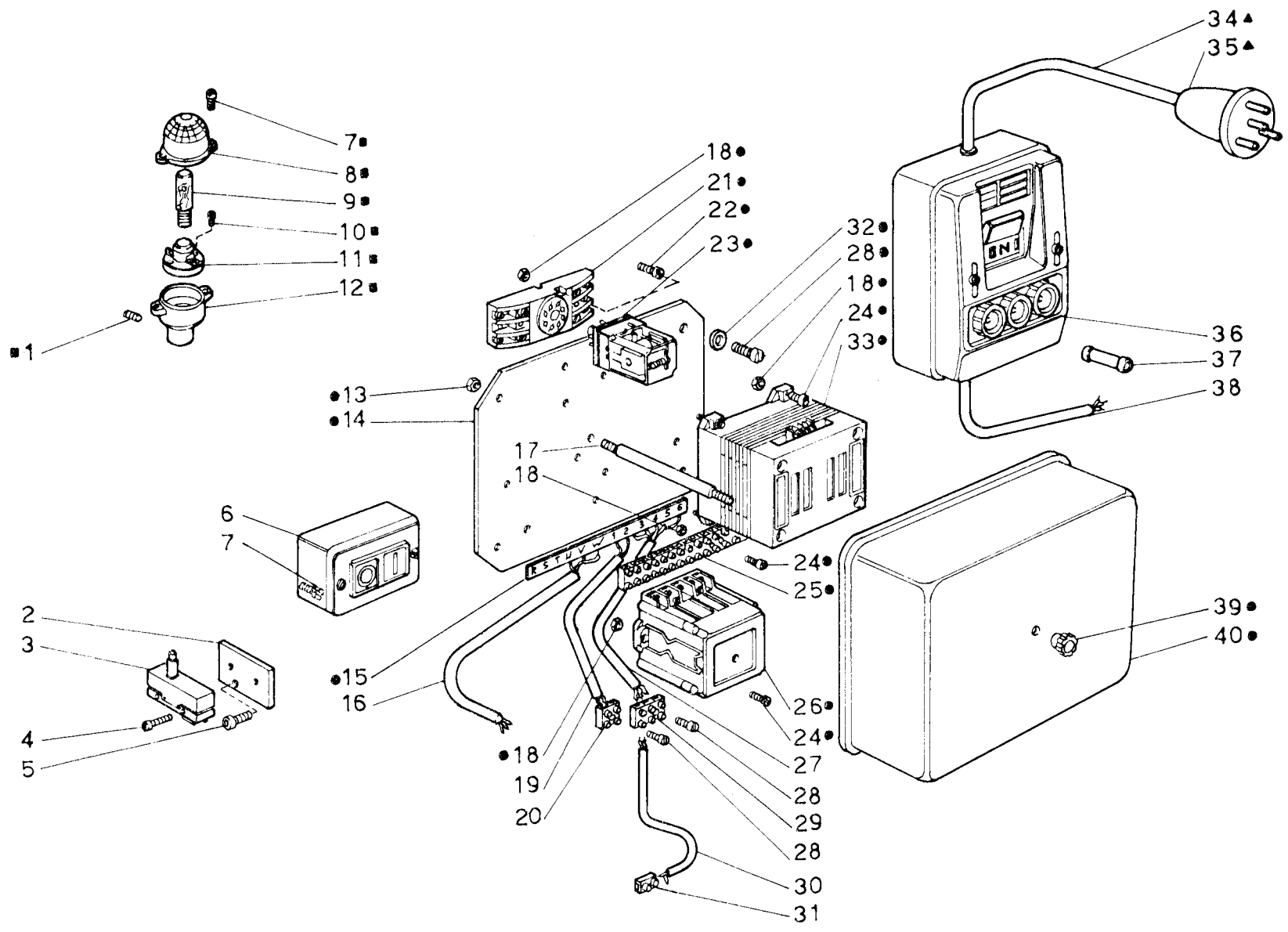


| Fig. N. Abb. N. | Part. N. Bestell N. Piece N. Pieza N. | DESCRIZIONE | Fig. N. Abb. N. | Part. N. Bestell N. Piece N. Pieza N. | DESCRIZIONE |
|--------------------|--|-------------------------------------|--------------------|--|-------------|
| — | RZR-G015/80/374 | aspo racc. compl. (esclusa fig. 12) | | | |
| 1 | RZR-015/60/234 | supporto sinistro | | | |
| 2 | RZR-1/G/10 | vite | | | |
| 3 | RZR-51/H/8 | dado | | | |
| 4 | RZR-62/F/8 | rondella | | | |
| 5 | RZR-015/60/210 | piastrina | | | |
| 6 | RZR-015/80/370 | asta | | | |
| 7 | RZR-2/D/20 | vite | | | |
| 8 | RZR-015/60/279 | flangia sinistra | | | |
| 9 | RZR-36/G/20 | vite | | | |
| 10 | RZR-015/60/212 | bussola | | | |
| 11 | RZR-36/F/10 | vite | | | |
| 12 | RZR-P015/80/391 | asta (solo a richiesta) | | | |
| 13 | RZR-015/80/373 | asta | | | |
| 14 | RZR-015/80/374 | asta centrale | | | |
| 15 | RZR-015/60/278 | flangia centrale | | | |
| 16 | RZR-015/60/280 | flangia destra | | | |
| 17 | RZR-G015/60/217 | perno frizione | | | |
| 18 | RZR-015/60/223 | perno trascinatore | | | |
| 19 | RZR-015/60/302 | flangia frizione | | | |
| 20 | RZR-16/G/6 | vite | | | |
| 21 | RZR-015/60/211 | anello | | | |
| 22 | RZR-015/60/214 | galoppino | | | |
| 23 | RZR-125/80/5350 | supporto | | | |
| 24 | RZR-3/D/10 | vite | | | |
| 25 | RZR-015/60/7829 | ingranaggio conduttore | | | |
| 26 | RZR-125/80/5351 | catena | | | |
| 27 | RZR-G035/60/846 | giunzione catena | | | |
| 28 | RZR-2/B/10 | vite | | | |
| 29 | RZR-015/60/9507 | rullino tendicatena | | | |
| 30 | RZR-015/60/9518 | pernetto | | | |
| 31 | RZR-015/60/304 | anello frizione | | | |
| 32 | RZR-26/F/10 | vite | | | |
| 33 | RZR-P082/150/2379 | ingranaggio | | | |
| 34 | RZR-015/60/277 | molla | | | |
| 35 | RZR-16/G/10 | vite | | | |
| 36 | RZR-015/60/222 | anello regolazione frizione | | | |
| 37 | RZR-015/60/235 | supporto destro | | | |

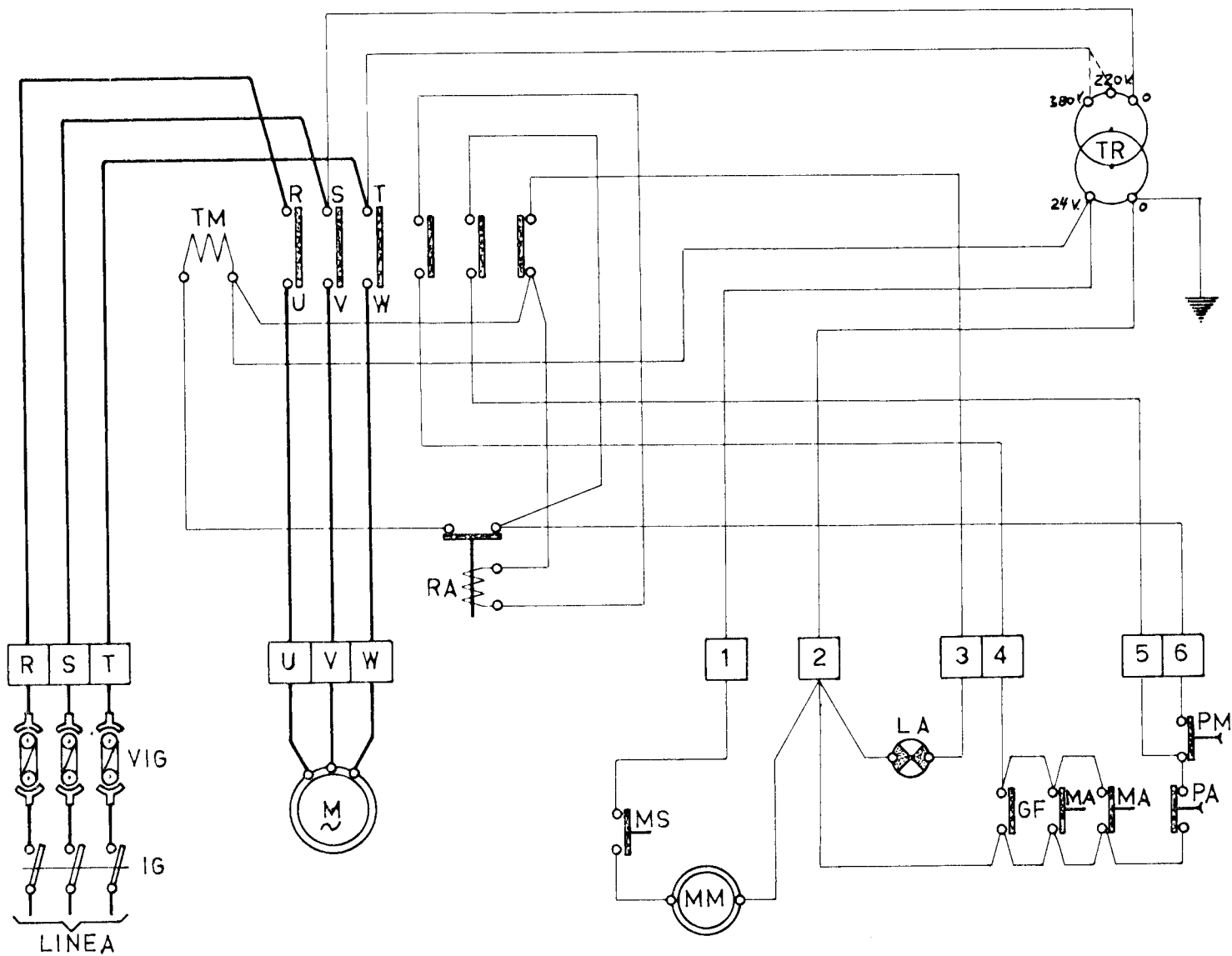
CASTELLO



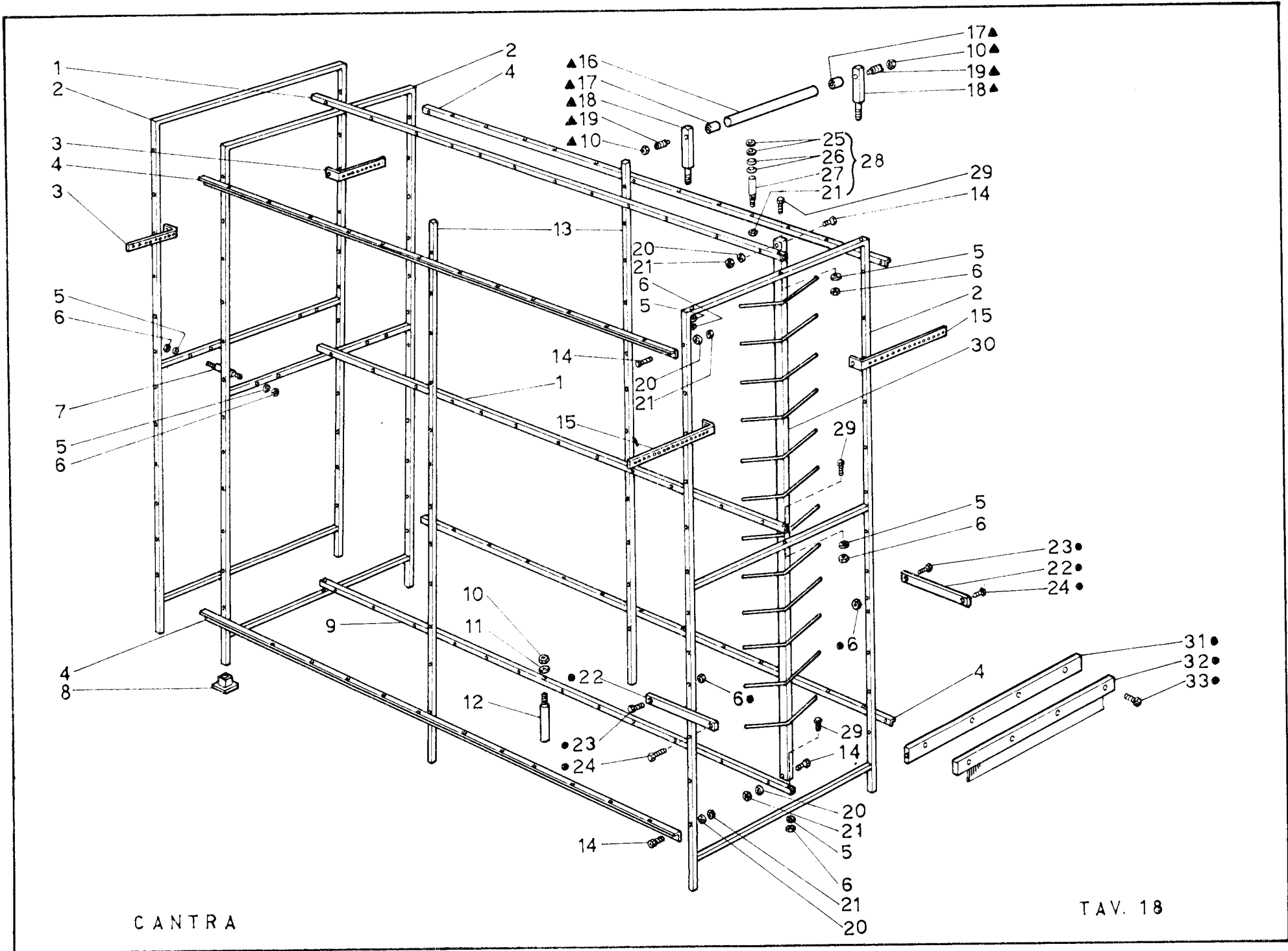
| Fig. N. Abb. N. | Part. N. Bestell N. Piece N. Pieza N. | DESCRIZIONE | Fig. N. Abb. N. | Part. N. Bestell N. Piece N. Pieza N. | DESCRIZIONE |
|--------------------|--|-----------------------------------|--------------------|--|-------------|
| ■ | RZR-G135/80/5480 | lampada spia completa | | | |
| ● | RZR-G135/80/5384 | pett. per trama compl. fin. 15 | | | |
| ● | RZR-G134/80/5385 | pett. per trama compl. fin. 14 | | | |
| ● | RZR-G132/80/5386 | pett. per trama compl. fin. 12 | | | |
| ● | RZR-G805/20/10538 | pett. per trama compl. fin. 20 | | | |
| 1 | RZR-2/B/12 | vite | | | |
| 2 | RZR-135/80/5377 | asta rinvio fili | | | |
| 3 | RZR-015/80/395 | pettine aperto fin. 15 | | | |
| 3 | RZR-014/80/411 | pettine aperto fin. 14 | | | |
| 3 | RZR-012/80/490 | pettine aperto fin. 12 | | | |
| 3 | RZR-805/20/10539 | pettine aperto fin. 20 | | | |
| 4 | RZR-3/D/10 | vite | | | |
| 5 | RZR-135/80/5374 | supporto sinistro | | | |
| 6 | RZR-801/15/10181 | piantana sinistra | | | |
| 7 | RZR-135/80/5376 | supporto per aste | | | |
| 8 | RZR-135/80/5378 | vite divis. fili fin. 15/14 | | | |
| 8 | RZR-132/80/5383 | vite divis. fili fin. 12 | | | |
| 8 | RZR-805/20/10551 | vite divis. fili fin. 20 | | | |
| 9 | RZR-015/60/264 | cavallotto | | | |
| 10 | RZR-G135/80/5381 | comando per arresto | | | |
| 11 | RZR-36/F/25 | vite | | | |
| 12 | RZR-16/G/8 | vite | | | |
| 13 | RZR-16/G/6 | vite | | | |
| 14 | RZR-16/F/6 | vite | | | |
| 15 | RZR-135/80/5375 | supporto destro | | | |
| 16 | RZR-015/80/380 | aste per pett. sup. e divis. fili | | | |
| 17 | RZR-135/80/5388 | asta di rinforzo | | | |
| 18 | RZR-2/C/25 | vite | | | |
| 19 | RZR-1/E/10 | vite | | | |
| 20 | RZR-135/80/5482 | calotta | | | |
| 21 | RZR-015/60/8681 | lampada | | | |
| 22 | RZR-1/C/10 | vite | | | |
| 23 | RZR-135/80/5481 | porta lampada | | | |
| 24 | RZR-135/80/5480 | corpo porta lampada | | | |
| 25 | RZR-1/E/5 | vite | | | |
| 26 | RZR-1/D/5 | vite | | | |
| 27 | RZR-801/15/10180 | piantana destra | | | |



| Fig. N. Abb. N. | Part. N. Bestell N. Piece N. Pieza N. | DESCRIZIONE | Fig. N. Abb. N. | Part. N. Bestell N. Piece N. Pieza N. | DESCRIZIONE |
|--------------------|--|---------------------------------|--------------------|--|-------------|
| ● | RZR-G015/80/4770 | scatola elettrica completa | | | |
| ■ | RZR-G135/80/5480 | lampada spia completa | | | |
| ▲ | RZR-G015/60/145 | cavo completo di spina | | | |
| 1 | RZR-16/G/6 | vite | | | |
| 2 | RZR-015/60/8689 | piastrina | | | |
| 3 | RZR-015/60/8688 | microcontatto | | | |
| 4 | RZR-1/E/25 | vite | | | |
| 5 | RZR-2/B/15 | vite | | | |
| 6 | RZR-015/60/158 | pulsante marcia-arresto | | | |
| 7 | RZR-1/E/10 | vite | | | |
| 8 | RZR-135/80/5482 | calotta | | | |
| 9 | RZR-015/60/8681 | lampada spia | | | |
| 10 | RZR-1/C/10 | vite | | | |
| 11 | RZR-135/80/5481 | porta lampada | | | |
| 12 | RZR-135/80/5480 | corpo porta lampada | | | |
| 13 | RZR-51/F/5 | dado | | | |
| 14 | RZR-P015/80/4770 | piastra scatola elettrica | | | |
| 15 | RZR-015/60/240 | piastrina basetta | | | |
| 16 | RZR-135/80/5478 | cavo elettrico coll. motore | | | |
| 17 | RZR-015/80/4771 | perno fissaggio coperchio | | | |
| 18 | RZR-51/B/3 | dado | | | |
| 19 | RZR-135/80/5473 | cavo elettrico coll. sollevat. | | | |
| 20 | RZR-135/80/5472 | morsetto | | | |
| 21 | RZR-015/80/4773 | zoccolo relé | | | |
| 22 | RZR-1/C/20 | vite | | | |
| 23 | RZR-015/60/182 | relé | | | |
| 24 | RZR-1/C/15 | vite | | | |
| 25 | RZR-015/60/196 | basetta | | | |
| 26 | RZR-015/60/195 | teleruttore | | | |
| 27 | RZR-135/80/5479 | cavo elettrico coll. pulsante | | | |
| 28 | RZR-1/E/15 | vite | | | |
| 29 | RZR-135/80/5483 | morsetto | | | |
| 30 | RZR-135/80/5485 | cavo elettrico coll. lampada | | | |
| 31 | RZR-135/80/5484 | morsetto | | | |
| 32 | RZR-62/A/4 | rondella | | | |
| 33 | RZR-015/80/4772 | trasformatore | | | |
| 34 | RZR-015/60/145 | cavo alimentatore | | | |
| 35 | RZR-015/60/200 | spina trifase | | | |
| 36 | RZR-135/80/5474 | interruttore generale | | | |
| 37 | RZR-135/80/5475 | valvola interruttore | | | |
| 38 | RZR-135/80/5477 | cavo elettr. coll. interruttore | | | |
| 39 | RZR-015/60/068 | ghiera | | | |
| 40 | RZR-015/60/164 | coperchio scatola | | | |



| RIF. | DESCRIZIONE |
|------|---|
| GF | Arresti guardiafilii |
| IG | Interruttore generale |
| LA | Lampada spia arresto macchina |
| M | Motore |
| MA | Microinterruttori di arresto sui rulli del tiraggio |
| MM | Motore monofase per sollev. automatico |
| MS | Microinterruttore per sollev. automatico |
| PA | Pulsante arresto |
| PM | Pulsante marcia |
| RA | Relé arresti |
| TM | Teleruttore motore |
| TR | Trasformatore |
| VIG | Valvole interruttore generale |



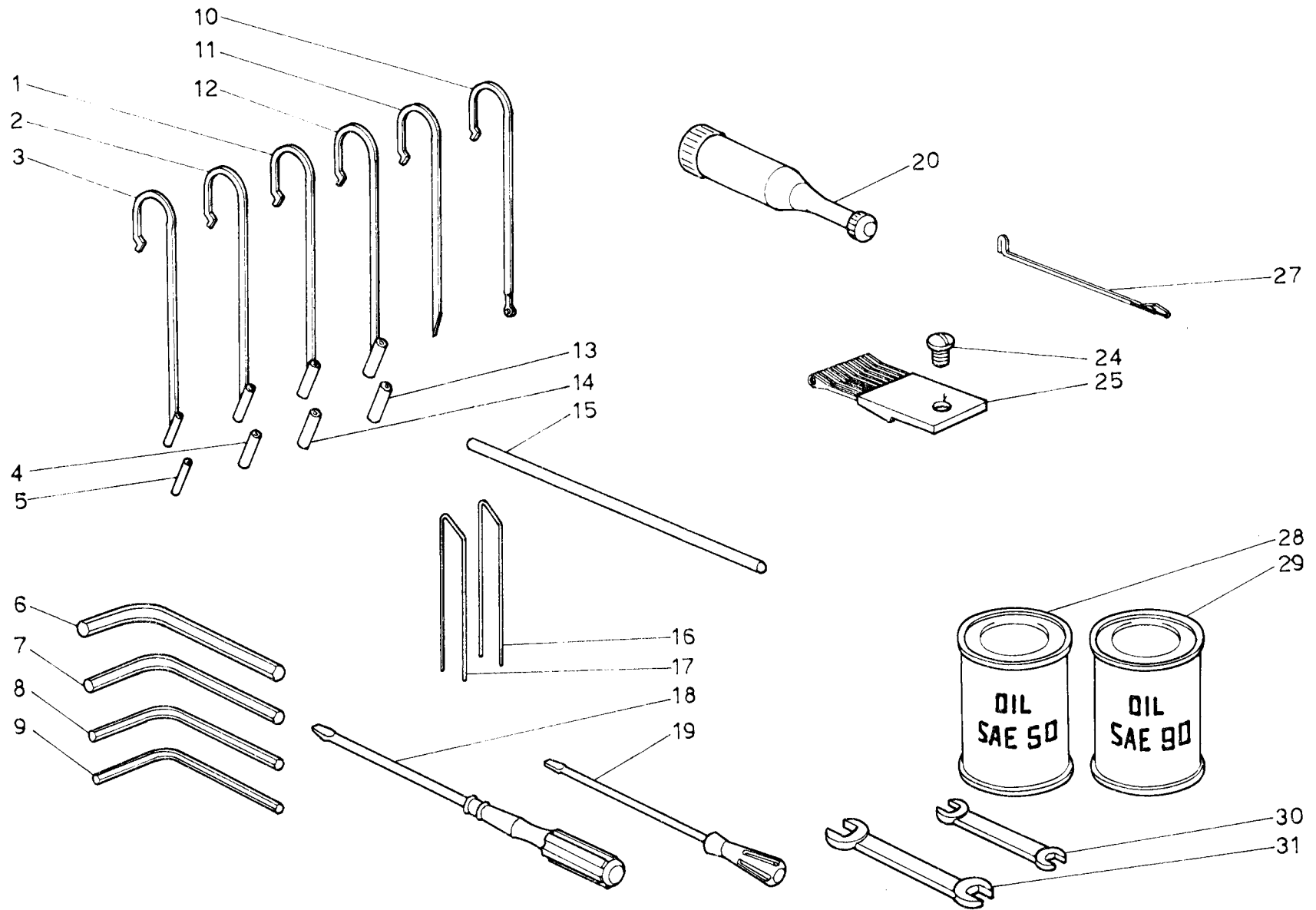
CANTRA

TAV. 18

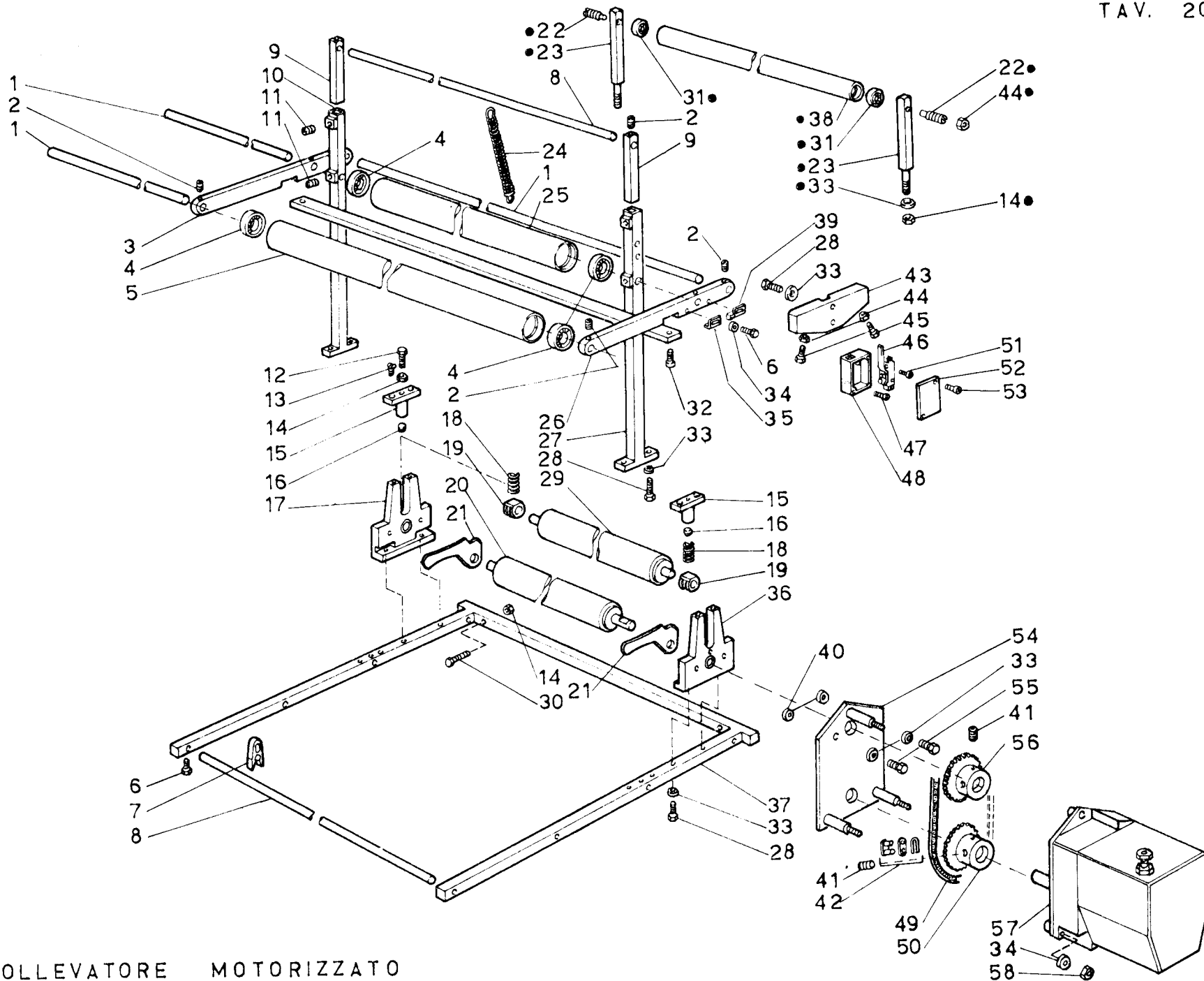
| Fig. N. Abb. N. | Part. N. Bestell N. Piece N. Pieza N. | DESCRIZIONE | Fig. N. Abb. N. | Part. N. Bestell N. Piece N. Pieza N. | DESCRIZIONE |
|--------------------|--|-------------------------------------|--------------------|--|-------------|
| — | RZR-12/MTN/288 | cantra completa da 288 posti rocche | | | |
| — | RZR-12/MTN/576 | cantra completa da 576 posti rocche | | | |
| ● | RZR-G035/60/8809 | pettine rinvio fili completo | | | |
| ▲ | RZR-PEC | gruppo passaggi elastici | | | |
| 1 | RZR-015/60/7405 | scatolato superiore e centrale | | | |
| 2 | RZR-015/60/7400 | telaio | | | |
| 3 | RZR-015/60/7413 | passafilo da 12 fori | | | |
| 4 | RZR-015/60/7402 | angolare porta tensioni | | | |
| 5 | RZR-62/D/6 | rondella | | | |
| 6 | RZR-51/G/6 | dado | | | |
| 7 | RZR-040/100/8851 | tirante unione cantre | | | |
| 8 | RZR-015/60/7410 | pedino | | | |
| 9 | RZR-015/60/7406 | scatolato inferiore | | | |
| 10 | RZR-51/H/8 | dado | | | |
| 11 | RZR-62/F/8 | rondella | | | |
| 12 | RZR-015/60/7508 | sostegno centrale | | | |
| 13 | RZR-015/60/7407 | scatolato sostegno centrale | | | |
| 14 | RZR-36/E/30 | vite | | | |
| 15 | RZR-015/60/7414 | passafilo da 24 fori | | | |
| 16 | RZR-015/60/8166 | asta ruotante | | | |
| 17 | RZR-4/S/5 | cuscinetto | | | |
| 18 | RZR-015/60/8142 | sostegno | | | |
| 19 | RZR-015/80/8044 | vite | | | |
| 20 | RZR-62/C/5 | rondella | | | |
| 21 | RZR-51/F/5 | dado | | | |
| 22 | RZR-035/60/8807 | listello | | | |
| 23 | RZR-36/F/40 | vite | | | |
| 24 | RZR-36/F/20 | vite | | | |
| 25 | RZR-14/G/10 | rondella | | | |
| 26 | RZR-035/60/8806 | piattello tensione | | | |
| 27 | RZR-015/60/8261 | perno tensione | | | |
| 28 | RZR-G015/60/8261 | tensione completa | | | |
| 29 | RZR-36/F/50 | vite | | | |
| 30 | RZR-P015/60/7509 | angolare porta coni | | | |
| 31 | RZR-015/60/7443 | asta porta pettine | | | |
| 32 | RZR-020/80/2551 | pettine rinvio fili | | | |
| 33 | RZR-1/G/10 | vite | | | |

DOTAZIONE

TAV. 19

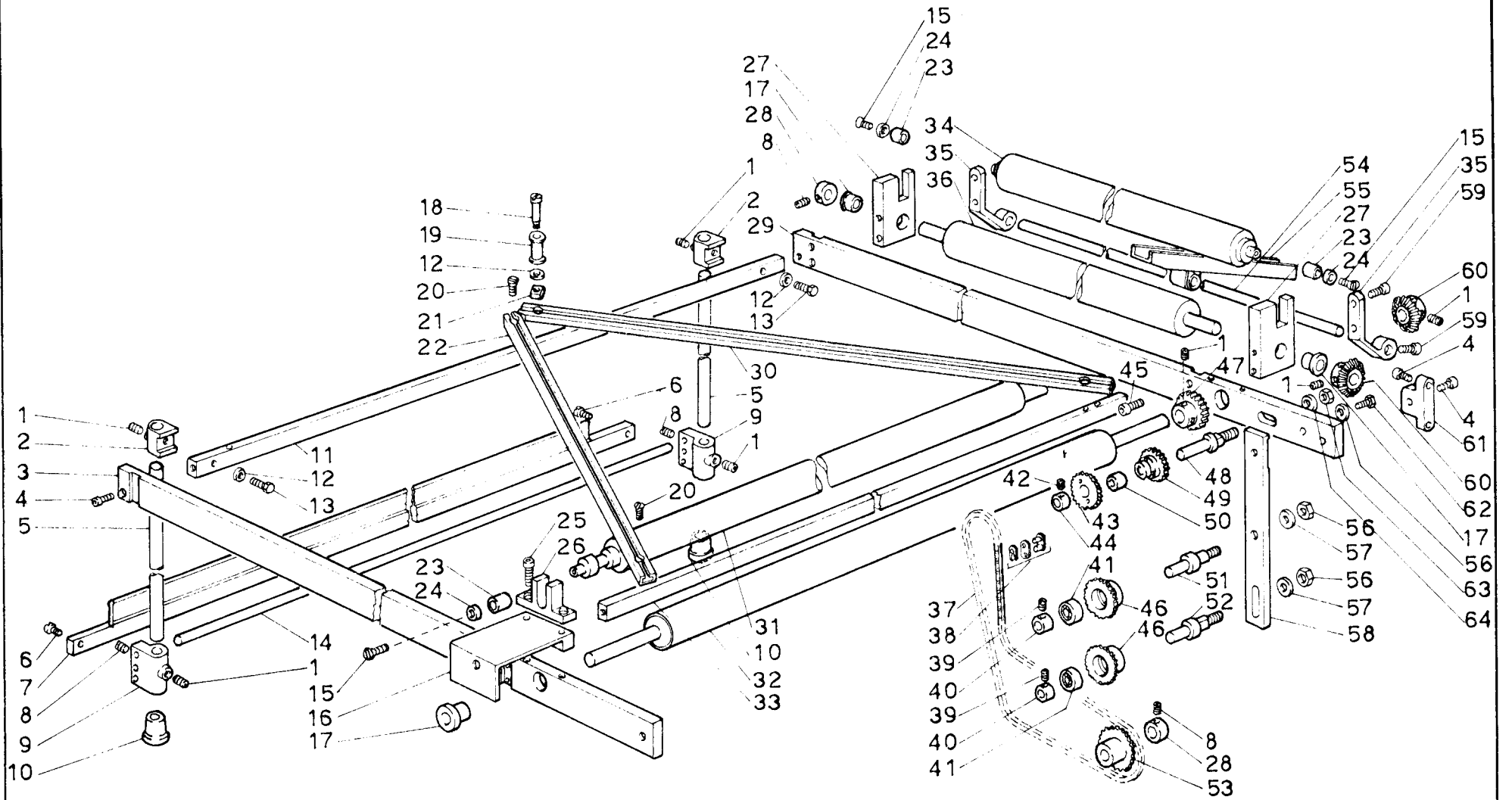


| Fig. N. Abb. N. | Part. N. Bestell N. Piece N. Pieza N. | DESCRIZIONE | Fig. N. Abb. N. | Part. N. Bestell N. Piece N. Pieza N. | DESCRIZIONE |
|--------------------|--|-----------------------------|--------------------|--|-------------|
| 1 | RZR-P015/60/295 | guidafilo completo mm. 1,2 | | | |
| 2 | RZR-P015/60/289 | guidafilo completo mm. 1 | | | |
| 3 | RZR-P015/60/298 | guidafilo completo mm. 0,8 | | | |
| 4 | RZR-015/60/289 | tubetto guidafilo mm. 1 | | | |
| 5 | RZR-015/60/298 | tubetto guidafilo mm. 0,8 | | | |
| 6 | RZR-015/60/573 | chiave esagonale da 6 | | | |
| 7 | RZR-015/60/572 | chiave esagonale da 5 | | | |
| 8 | RZR-015/60/571 | chiave esagonale da 4 | | | |
| 9 | RZR-015/60/570 | chiave esagonale da 3 | | | |
| 10 | RZR-015/60/286 | guidafilo con occhiello | | | |
| 11 | RZR-015/60/288 | gambo per tubetto guidafilo | | | |
| 12 | RZR-P015/60/291 | guidafilo completo mm. 1,4 | | | |
| 13 | RZR-015/60/291 | tubetto guidafilo mm. 1,4 | | | |
| 14 | RZR-015/60/295 | tubetto guidafilo mm. 1,2 | | | |
| 15 | RZR-801/15/10200 | perno glider catena | | | |
| 16 | RZR-015/60/257 | cavaliere pesante | | | |
| 17 | RZR-015/60/258 | cavaliere leggero | | | |
| 18 | RZR-015/60/577 | cacciavite da 6 | | | |
| 19 | RZR-015/60/576 | cacciavite da 3 | | | |
| 20 | RZR-801/15/10201 | pompeta per ingrassatori | | | |
| 24 | RZR-41/B/7 | vite | | | |
| 25 | RZR-P015/60/171 | blocco passette fin. 15 | | | |
| 25 | RZR-P014/60/427 | blocco passette fin. 14 | | | |
| 25 | RZR-P012/60/457 | blocco passette fin. 12 | | | |
| 25 | RZR-P805/20/10546 | blocco passette fin. 20 | | | |
| 27 | RZR-125/80/4832 | ago a becco | | | |
| 28 | RZR-015/60/579 | lattina olio SAE 50 lt. 1 | | | |
| 29 | RZR-015/60/580 | lattina olio SAE 90 lt. 1 | | | |
| 30 | RZR-015/60/574 | chiave fissa 8-10 | | | |
| 31 | RZR-015/60/575 | chiave fissa 13-17 | | | |

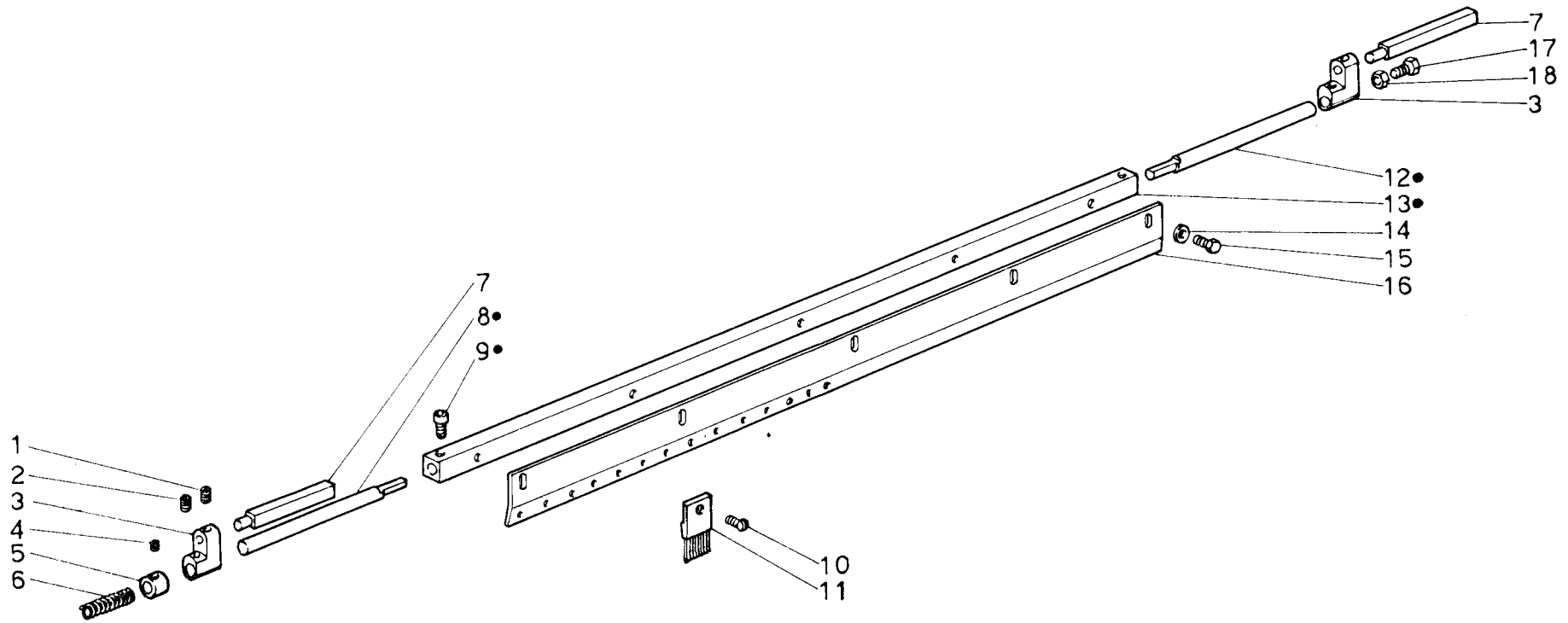


SOLLEVATORE MOTORIZZATO

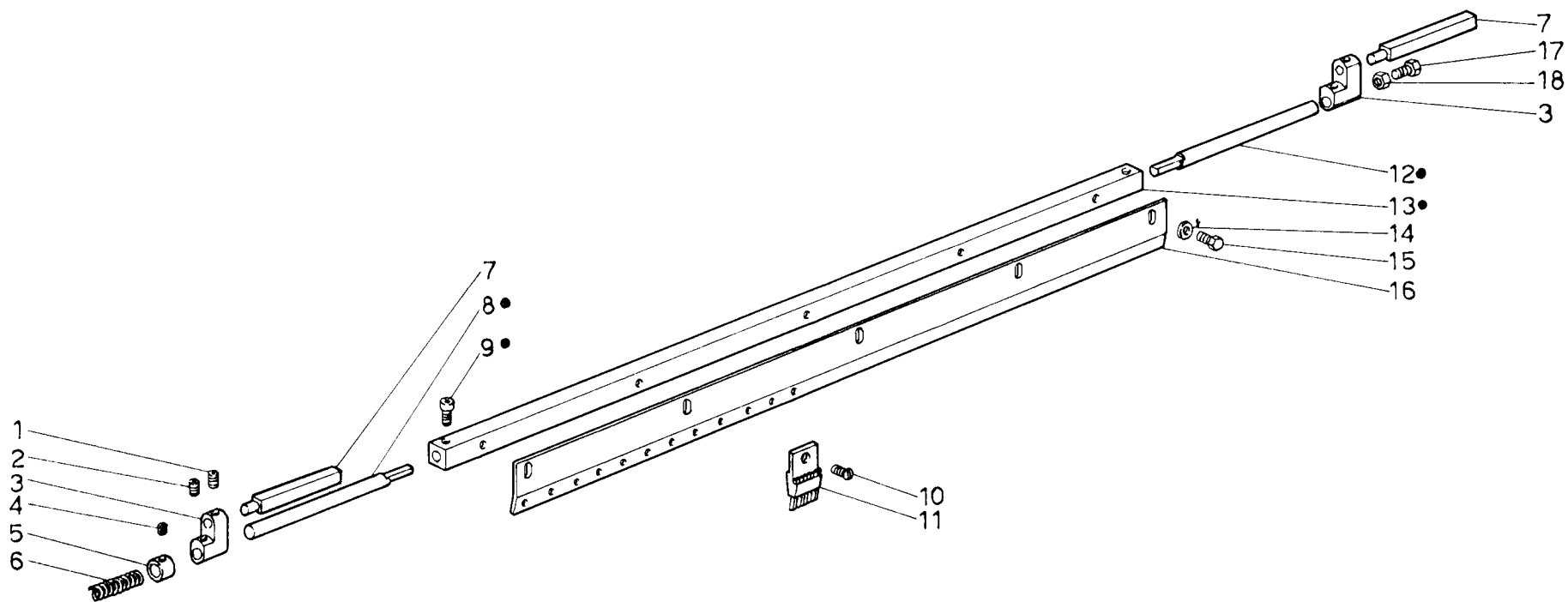
| Fig. N. Abb. N. | Part. N. Bestell N. Piece N. Pieza N. | DESCRIZIONE | Fig. N. Abb. N. | Part. N. Bestell N. Piece N. Pieza N. | DESCRIZIONE |
|--------------------|--|---------------------------------------|--------------------|--|----------------------|
| - | RZR-SM | gruppo sollevatore elastico (escluso) | 48 | RZR-015/60/8197 | scatola |
| ● | RZR-PEC | gruppo passaggio elastici | 49 | RZR-801/15/10195 | catena |
| 1 | RZR-015/60/8188 | perno | 50 | RZR-801/15/10193 | ingranaggio |
| 2 | RZR-3/D/8 | vite | 51 | RZR-1/C/8 | vite |
| 3 | RZR-015/60/8168 | asta destra | 52 | RZR-015/60/8198 | coperchio |
| 4 | RZR-4/F/15 | cuscinetto | 53 | RZR-1/D/5 | vite |
| 5 | RZR-015/60/8187 | rullo lungo | 54 | RZR-P801/15/10189 | piastra porta motore |
| 6 | RZR-36/E/10 | vite | 55 | RZR-36/F/15 | vite |
| 7 | RZR-015/60/8150 | molletta divisione elastici | 56 | RZR-801/15/10194 | ingranaggio |
| 8 | RZR-015/60/8182 | asta | 57 | RZR-015/60/8172 | motore |
| 9 | RZR-015/60/8194 | perno | 58 | RZR-51/F/5 | dado |
| 10 | RZR-P015/60/8190 | piantana destra | | | |
| 11 | RZR-3/D/10 | vite | | | |
| 12 | RZR-36/F/25 | vite | | | |
| 13 | RZR-26/E/10 | vite | | | |
| 14 | RZR-51/G/6 | dado | | | |
| 15 | RZR-015/60/8154 | porta molla | | | |
| 16 | RZR-015/60/8116 | tappo | | | |
| 17 | RZR-P015/60/8171 | supporto destro | | | |
| 18 | RZR-015/60/8191 | molla | | | |
| 19 | RZR-015/60/8001 | bronzina | | | |
| 20 | RZR-P015/60/8175 | rullo inferiore | | | |
| 21 | RZR-015/60/8127 | leva | | | |
| 22 | RZR-015/80/8044 | vite | | | |
| 23 | RZR-015/60/8142 | sostegno | | | |
| 24 | RZR-020/60/8707 | molla | | | |
| 25 | RZR-015/60/8173 | rullo corto | | | |
| 26 | RZR-015/60/8169 | asta sinistra | | | |
| 27 | RZR-P015/60/8185 | piantana sinistra | | | |
| 28 | RZR-36/F/30 | vite | | | |
| 29 | RZR-P015/60/8176 | rullo superiore | | | |
| 30 | RZR-36/F/50 | vite | | | |
| 31 | RZR-4/S/5 | cuscinetto | | | |
| 32 | RZR-2/C/14 | vite | | | |
| 33 | RZR-62/D/6 | rondella | | | |
| 34 | RZR-62/C/5 | rondella | | | |
| 35 | RZR-015/60/8192 | contrasto sinistro | | | |
| 36 | RZR-P015/60/8170 | supporto sinistro | | | |
| 37 | RZR-P015/60/8174 | telaio | | | |
| 38 | RZR-015/60/8166 | asta | | | |
| 39 | RZR-015/60/8195 | contrasto destro | | | |
| 40 | RZR-61/A/6 | rondella | | | |
| 41 | RZR-3/C/8 | vite | | | |
| 42 | RZR-G801/15/10196 | giunto per catena | | | |
| 43 | RZR-015/60/8189 | piastrina arresto | | | |
| 44 | RZR-51/H/8 | dado | | | |
| 45 | RZR-36/G/20 | vite | | | |
| 46 | RZR-015/60/8196 | microinterruttore | | | |
| 47 | RZR-26/E/8 | vite | | | |



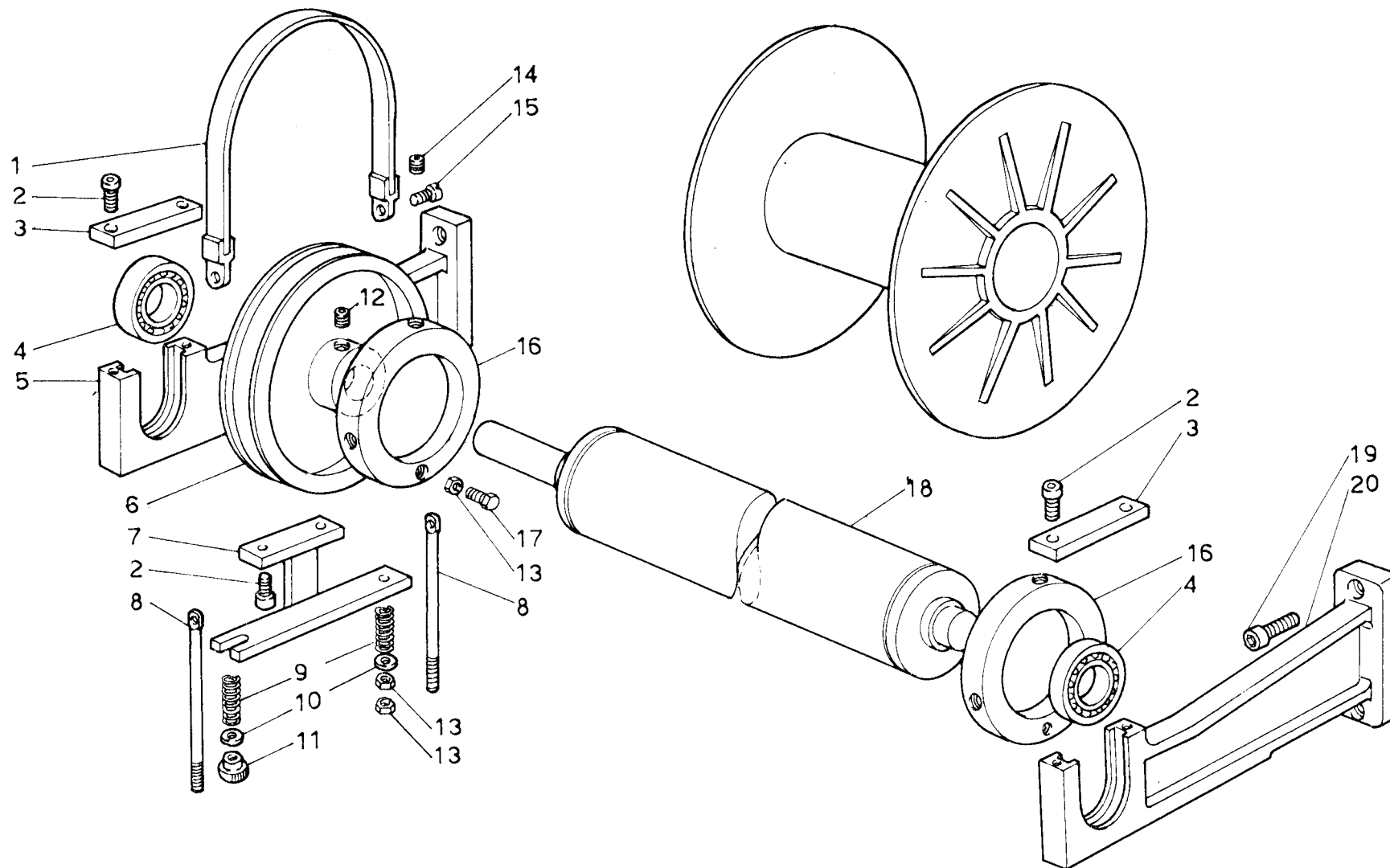
| Fig. N. Abb. N. | Part. N. Bestell N. Piece N. Pieza N. | DESCRIZIONE | Fig. N. Abb. N. | Part. N. Bestell N. Piece N. Pieza N. | DESCRIZIONE |
|--------------------|--|--|--------------------|--|---------------------------|
| — | RZR-REF | raccogliore elastico finito fin. 15 | 44 | RZR-015/60/010 | anello |
| — | RZR-REF | raccogliore elastico finito fin. 14 | 45 | RZR-2/C/16 | vite |
| — | RZR-REF | raccogliore elastico finito fin. 12 | 46 | RZR-135/80/5156 | ingranaggio |
| 1 | RZR-3/D/8 | vite | 47 | RZR-015/60/7820 | ingranaggio condotto |
| 2 | RZR-015/60/8069 | supporto | 48 | RZR-015/60/7846 | perno |
| 3 | RZR-135/80/7310 | supporto sinistro | 49 | RZR-135/80/7328 | ingranaggio conduttore |
| 4 | RZR-2/D/16 | vite | 50 | RZR-015/60/7845 | bronzina |
| 5 | RZR-135/80/7320 | aste registrabili | 51 | RZR-135/80/7302 | perno galoppino superiore |
| 6 | RZR-1/H/10 | vite | 52 | RZR-135/80/7303 | perno galoppino inferiore |
| 7 | RZR-015/80/395 | pettine anteriore e posteriore fin. 15 | 53 | RZR-015/60/7829 | ingranaggio conduttore |
| 7 | RZR-014/80/411 | pettine anteriore e posteriore fin. 14 | 54 | RZR-015/80/7905 | asta |
| 7 | RZR-012/80/490 | pettine anteriore e posteriore fin. 12 | 55 | RZR-P015/60/7816 | canalino guida elastico |
| 8 | RZR-16/G/6 | vite | 56 | RZR-51/H/8 | dado |
| 9 | RZR-135/80/7321 | supporto | 57 | RZR-62/F/8 | rondella |
| 10 | RZR-135/80/7327 | piecino | 58 | RZR-135/80/7301 | supporto |
| 11 | RZR-135/80/7312 | asta collegamento estremità | 59 | RZR-2/B/10 | vite |
| 12 | RZR-62/D/6 | rondella | 60 | RZR-015/60/7835 | ingranaggio conico |
| 13 | RZR-36/F/25 | vite | 61 | RZR-135/80/7308 | supporto |
| 14 | RZR-015/80/364 | asta rinvio fili | 62 | RZR-36/G/20 | vite |
| 15 | RZR-26/E/8 | vite | 63 | RZR-51/L/10 | dado |
| 16 | RZR-P135/80/7307 | protezione | 64 | RZR-62/G/10 | rondella |
| 17 | RZR-015/60/8013 | bronzina | | | |
| 18 | RZR-015/60/7811 | perno | | | |
| 19 | RZR-015/60/7810 | rullino | | | |
| 20 | RZR-26/H/8 | vite | | | |
| 21 | RZR-015/60/7817 | piastrina | | | |
| 22 | RZR-015/80/7919 | guida sinistra | | | |
| 23 | RZR-015/60/7834 | boccola antivibrante | | | |
| 24 | RZR-60/R/4 | rondella | | | |
| 25 | RZR-2/B/30 | vite | | | |
| 26 | RZR-015/60/7807 | supporto guida | | | |
| 27 | RZR-135/80/7315 | guida rulli laterali | | | |
| 28 | RZR-015/60/245 | anello | | | |
| 29 | RZR-135/80/7309 | supporto destro | | | |
| 30 | RZR-015/80/7917 | guida destra | | | |
| 31 | RZR-015/80/7909 | rullo superiore centrale | | | |
| 32 | RZR-P135/80/7305 | rullo inferiore centrale | | | |
| 33 | RZR-135/80/7311 | asta collegamento centrale | | | |
| 34 | RZR-015/80/7914 | rullo superiore laterale | | | |
| 35 | RZR-015/60/7813 | supporto | | | |
| 36 | RZR-P135/80/7317 | rullo inferiore laterale | | | |
| 37 | RZR-135/80/7300 | catena trasmissione | | | |
| 38 | RZR-G035/60/846 | giunzione catena | | | |
| 39 | RZR-16/F/5 | vite | | | |
| 40 | RZR-015/60/191 | anello | | | |
| 41 | RZR-4/D/10 | cuscinetto | | | |
| 42 | RZR-16/F/4 | vite | | | |
| 43 | RZR-135/80/7329 | ingranaggio condotto Z 18 | | | |
| 43 | RZR-135/80/7330 | ingranaggio condotto Z 15 | | | |



| Fig. N. Abb. N. | Part. N. Bestell N. Piece N. Pieza N. | DESCRIZIONE | Fig. N. Abb. N. | Part. N. Bestell N. Piece N. Pieza N. | DESCRIZIONE |
|--------------------|--|--------------------------------|--------------------|--|-------------|
| | RZR-B.P.E. | gruppo barra passette fin. 15 | | | |
| | RZR-B.P.E. | gruppo barra passette fin. 14 | | | |
| | RZR-B.P.E. | gruppo barra passette fin. 12 | | | |
| | RZR-B.P.E. | gruppo barra passette fin. 20 | | | |
| ● | RZR-G135/80/9414 | barra passette completa | | | |
| 1 | RZR-3/D/6 | vite | | | |
| 2 | RZR-3/D/8 | vite | | | |
| 3 | RZR-015/60/187 | supporto barre | | | |
| 4 | RZR-16/F/4 | vite | | | |
| 5 | RZR-015/60/010 | anello | | | |
| 6 | RZR-015/60/8047 | molla | | | |
| 7 | RZR-015/60/188 | spina | | | |
| 8 | RZR-125/80/4866 | perno lungo | | | |
| 9 | RZR-2/C/10 | vite | | | |
| 10 | RZR-41/B/7 | vite | | | |
| 11 | RZR-P015/60/171 | blocco passette fin. 15 | | | |
| 11 | RZR-P014/60/427 | blocco passette fin. 14 | | | |
| 11 | RZR-P012/60/457 | blocco passette fin. 12 | | | |
| 11 | RZR-P805/20/10546 | blocco passette fin. 20 | | | |
| 12 | RZR-135/80/5227 | perno corto | | | |
| 13 | RZR-015/80/9430 | barra passette | | | |
| 14 | RZR-62/C/5 | rondella | | | |
| 15 | RZR-36/E/10 | vite | | | |
| 16 | RZR-015/80/9431 | lamella porta pass. fin. 15-14 | | | |
| 16 | RZR-012/80/9434 | lamella porta pass. fin. 12 | | | |
| 16 | RZR-805/20/10548 | lamella porta pass. fin. 20 | | | |
| 17 | RZR-36/R/25 | vite | | | |
| 18 | RZR-51/G/6 | dado | | | |



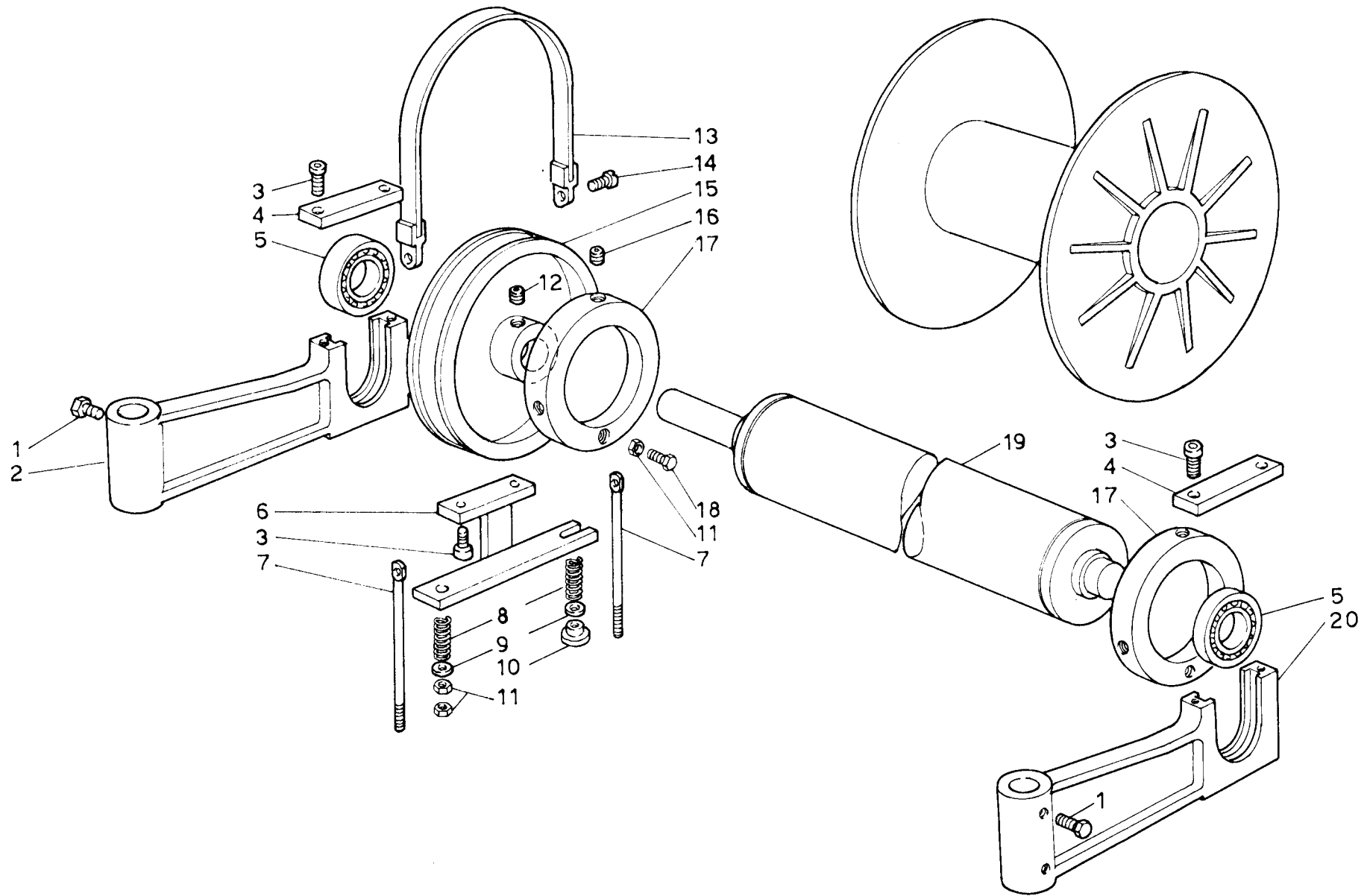
| Fig. N. Abb. N. | Part. N. Bestell N. Piece N. Pieza N. | DESCRIZIONE | Fig. N. Abb. N. | Part. N. Bestell N. Piece N. Pieza N. | DESCRIZIONE |
|--------------------|--|----------------------------------|--------------------|--|-------------|
| — | RZR-BT | gruppo barra tubetti fin. 15 | | | |
| — | RZR-BT | gruppo barra tubetti fin. 14 | | | |
| — | RZR-BT | gruppo barra tubetti fin. 12 | | | |
| ● | RZR-P135/80/9414 | barra tubetti completa | | | |
| 1 | RZR-3/D/6 | vite | | | |
| 2 | RZR-3/D/8 | vite | | | |
| 3 | RZR-015/60/187 | supporto barre | | | |
| 4 | RZR-16/F/4 | vite | | | |
| 5 | RZR-015/60/010 | anello | | | |
| 6 | RZR-015/60/190 | molla | | | |
| 7 | RZR-015/60/188 | spina | | | |
| 8 | RZR-125/80/4866 | perno lungo | | | |
| 9 | RZR-2/C/10 | vite | | | |
| 10 | RZR-41/B/7 | vite | | | |
| 11 | RZR-P015/60/9407 | blocco tubetti fin. 15 | | | |
| 11 | RZR-014/60/9408 | blocco tubetti fin. 14 | | | |
| 11 | RZR-P012/60/9409 | blocco tubetti fin. 12 | | | |
| 12 | RZR-135/100/5623 | perno corto | | | |
| 13 | RZR-015/80/9430 | barra tubetti | | | |
| 14 | RZR-62/C/5 | rondella | | | |
| 15 | RZR-36/E/10 | vite | | | |
| 16 | RZR-015/80/9431 | lamella porta tubetti fin. 15-14 | | | |
| 16 | RZR-012/80/9434 | lamella porta tubetti fin. 12 | | | |
| 17 | RZR-36/R/25 | vite | | | |
| 18 | RZR-51/G/6 | dado | | | |



| Fig. N. Abb. N. | Part. N. Bestell N. Piece N. Pieza N. | DESCRIZIONE | Fig. N. Abb. N. | Part. N. Bestell N. Piece N. Pieza N. | DESCRIZIONE |
|--------------------|--|--------------------|--------------------|--|-------------|
| 1 | RZR-P015/60/9205 | listello frenante | | | |
| 2 | RZR-2/C/14 | vite | | | |
| 3 | RZR-015/60/9203 | piastrina | | | |
| 4 | RZR-4/L/25 | cuscinetto | | | |
| 5 | RZR-082/150/2401 | supporto sinistro | | | |
| 6 | RZR-015/60/9204 | puleggia | | | |
| 7 | RZR-P015/60/9215 | piastrina | | | |
| 8 | RZR-015/60/9206 | tenditore | | | |
| 9 | RZR-015/60/8183 | molletta | | | |
| 10 | RZR-62/D/6 | rondella | | | |
| 11 | RZR-015/60/247 | pomello | | | |
| 12 | RZR-3/E/10 | vite | | | |
| 13 | RZR-51/G/6 | dado | | | |
| 14 | RZR-3/D/15 | vite | | | |
| 15 | RZR-1/E/8 | vite | | | |
| 16 | RZR-015/60/9207 | anello | | | |
| 17 | RZR-36/F/30 | vite | | | |
| 18 | RZR-P015/80/9211 | albero porta subbi | | | |
| 19 | RZR-2/D/20 | vite | | | |
| 20 | RZR-082/150/2400 | supporto destro | | | |

PORTA SUBBI SUPERIORE

TAV. 25



| Fig. N. Abb. N. | Part. N. Bestell N. Piece N. Pieza N. | DESCRIZIONE | Fig. N. Abb. N. | Part. N. Bestell N. Piece N. Pieza N. | DESCRIZIONE |
|--------------------|--|--------------------|--------------------|--|-------------|
| 1 | RZR-36/F/15 | vite | | | |
| 2 | RZR-015/60/9201 | supporto sinistro | | | |
| 3 | RZR-2/C/14 | vite | | | |
| 4 | RZR-015/60/9203 | piastrina | | | |
| 5 | RZR-4/L/25 | cuscinetto | | | |
| 6 | RZR-P015/60/9220 | piastrina | | | |
| 7 | RZR-015/60/9206 | tenditore | | | |
| 8 | RZR-015/60/8133 | molletta | | | |
| 9 | RZR-62/D/6 | rondella | | | |
| 10 | RZR-015/60/247 | pomello | | | |
| 11 | RZR-51/G/6 | dado | | | |
| 12 | RZR-3/E/10 | vite | | | |
| 13 | RZR-P015/60/9205 | listello frenante | | | |
| 14 | RZR-1/E/8 | vite | | | |
| 15 | RZR-015/60/9204 | puleggia | | | |
| 16 | RZR-3/D/15 | vite | | | |
| 17 | RZR-015/60/9207 | anello | | | |
| 18 | RZR-36/F/30 | vite | | | |
| 19 | RZR-P015/80/9211 | albero porta subbi | | | |
| 20 | RZR-015/60/9200 | supporto destro | | | |