

Rimoldi

CATALOGO PEZZI DI RICAMBIO
SPARE PARTS CATALOGUE
CATALOGUE RECHANGES
ERSATZTEILELISTE

COMEZ
805

n. 205

652800640

UFFICIO CATALOGHI 9/78

Nella consultazione del Catalogo tenere presente che:

- 1 Tutti i particolari non fornibili scolti non vengono richiamati, ma soltanto illustrati nel gruppo di appartenenza.
- 2 Tutti i particolari che variano in finezza, hanno il numero di riferimento e la descrizione ripetuti per ogni finezza fornibile
- 3 I riferimenti delle figure dei particolari che compongono un gruppo sono di norma raggruppati in una parentesi. In alcuni casi però, dove non é possibile il raggruppamento, i numeri che nelle tavole illustrative richiamano i singoli pezzi sono affiancati dallo stesso segno particolare, con cui é indicato l'intero gruppo.

AVVERTENZA

Per facilitare la ricerca viene riportato l'indice numerico di tutti i particolari illustrati sul Catalogo, con la relativa tavola in cui gli stessi sono richiamati. Nella richiesta di parti di ricambio, citare sempre il modello ed il numero di matricola della macchina, il simbolo del particolare, la finezza e la denominazione ufficiale usata sul catalogo.

When using the catalogue please bear in mind that:

- 1 All the parts that are not supplied separately have no individual reference but are illustrated only in their relative assemblies
- 2 All parts that vary in gauge have the reference number and description repeated for each gauge that can be supplied
- 3 References to illustrations of parts that form an assembly are usually grouped in brackets. In some cases, however, where grouping is impossible, the special sign that indicates the whole assembly is printed at the side of the number referring to the separate parts in the illustrated tables.

IMPORTANT

To facilitate its use, this catalogue contains a numerical index of all the parts illustrated, together with the table in which they are to be found. When ordering spares always state the model and serial number of the machine, the reference number of the part required, the gauge and official description given in the catalogue.

Lors de la consultation de ce catalogue se rappeler que:

- 1 Les pièces qui ne sont pas fournies séparément ne sont pas citées, mais sont seulement illustrées dans le groupe auquel elles appartiennent
- 2 Toutes les pièces qui varient selon les jauges ont le numéro de référence et la description répétés pour chaque jauge fournies
- 3 Les références des illustrations des pièces qui composent un groupe sont généralement regroupées entre parenthèses. Dans certains cas cependant, lorsque le regroupement n'est pas possible, les chiffres qui dans les tableaux illustratifs indiquent les pièces ont à côté un même signe particulier avec lequel tout le groupe est indiqué.

AVERTISSEMENT

Pour faciliter les recherches, nous donnons l'index numérique de toutes les pièces illustrées dans ce catalogue ainsi que le tableau où elles sont indiquées.

Lors des commandes de pièces détachées, il faut toujours citer le modèle et le numéro de matricule de la machine, le symbole de la pièce, la jauge et la dénomination officielle utilisée dans le catalogue.

INDICE NUMERICO

Part. N.	Tav. N.	Part. N.	Tav. N.	Part. N.	Tav. N.	Part. N.	Tav. N.	Part. N.	Tav. N.
RZR-015/60/010	7-21-22-23	RZR-015/60/223	14	RZR-015/80/369	8	RZR-020/60/679	8	RZR-125/80/4868	7
RZR-015/60/021	2	RZR-015/60/234	14	RZR-015/80/370	14	RZR-020/60/715	2	RZR-125/80/4908	4
RZR-015/60/057	6-8	RZR-015/60/235	14	RZR-015/80/373	14	RZR-G035/60/846	12-13-14	RZR-125/80/4909	4
RZR-P015/60/067	11	RZR-015/60/240	16	RZR-G015/80/374	14		21	RZR-125/80/4910	4
RZR-015/60/068	16	RZR-P015/60/241	11	RZR-015/80/374	14	RZR-082/150/2020	5-10	RZR-125/80/4913	3-4-5-10
RZR-015/60/083	4	RZR-015/60/243	11	RZR-015/80/375	8	RZR-082/150/2065	2		12
RZR-015/60/086	3	RZR-P015/60/244	11	RZR-015/80/380	15	RZR-082/150/2099	4	RZR-125/80/4916	4
RZR-015/60/092	8	RZR-015/60/245	11-13-21	RZR-G015/80/382	9	RZR-082/150/2104	2	RZR-P125/80/4917	4
RZR-015/60/093	8	RZR-015/60/247	11-13-24	RZR-P015/80/391	14	RZR-082/150/2229	9	RZR-G125/80/4919	4
RZR-015/60/094	8		25	RZR-015/80/394	9	RZR-P082/150/2379	14	RZR-125/80/4919	4
RZR-015/60/099	8	RZR-015/60/248	11	RZR-015/80/395	1-13-15-21	RZR-082/150/2400	24	RZR-125/80/4920	4
RZR-015/60/100	8	RZR-015/60/249	11	RZR-015/80/396	8	RZR-082/150/2401	24	RZR-125/80/4921	4
RZR-015/60/102	8	RZR-015/60/257	19	RZR-P015/80/398	11	RZR-050/80/2551	18	RZR-P135/80/5007	1
RZR-015/60/105	8	RZR-015/60/258	19	RZR-014/80/400	7	RZR-110/380/3554	1	RZR-P135/80/5013	1
RZR-015/60/114	4	RZR-015/60/264	9-13-15	RZR-G014/80/402	8	RZR-015/80/4518	3	RZR-G135/80/5013	1
RZR-015/60/138	3-5-10	RZR-015/60/271	6	RZR-014/80/402	8	RZR-015/80/4528	10	RZR-135/80/5018	1
RZR-015/60/139	3-5-10-12	RZR-015/60/277	14	RZR-014/80/404	8	RZR-015/80/4529	4	RZR-135/80/5020	1
RZR-015/60/140	8	RZR-015/60/278	14	RZR-015/80/405	8	RZR-015/80/4534	4	RZR-135/80/5039	2
RZR-G015/60/145	16	RZR-015/60/279	14	RZR-014/80/411	1-13-15-21	RZR-015/80/4535	4	RZR-135/80/5040	2
RZR-015/60/145	16	RZR-015/60/280	14	RZR-G015/80/413	9	RZR-015/80/4560	8	RZR-135/80/5041	2
RZR-015/60/146	6	RZR-015/60/285	6	RZR-014/60/423	8	RZR-014/80/4561	8	RZR-P135/80/5043	2
RZR-015/60/158	16	RZR-015/60/286	19	RZR-P014/60/427	9-19-22	RZR-012/80/4562	8	RZR-135/80/5053	2
RZR-015/60/164	16	RZR-015/60/288	19	RZR-012/60/453	8	RZR-015/80/4580	9	RZR-P135/80/5055	2
RZR-015/60/165	10	RZR-P015/60/289	19	RZR-P012/60/457	9-19-22	RZR-015/80/4604	6	RZR-135/80/5082	3
RZR-015/60/169	10	RZR-015/60/289	19	RZR-012/80/480	7	RZR-015/80/4605	6	RZR-135/80/5083	3
RZR-P015/60/171	9-19-22	RZR-P015/60/291	19	RZR-012/80/481	9	RZR-015/80/4610	7	RZR-135/80/5084	3
RZR-015/60/174	9	RZR-015/60/291	19	RZR-G012/80/482	8	RZR-G010/80/4611	7	RZR-135/80/5085	3
RZR-015/60/182	16	RZR-P015/60/295	19	RZR-012/80/482	8	RZR-010/80/4611	7	RZR-135/80/5089	4
RZR-015/60/187	7-22-23	RZR-015/60/295	19	RZR-012/80/484	8	RZR-G015/80/4770	16	RZR-135/80/5090	4
RZR-015/60/188	7-22-23	RZR-P015/60/298	19	RZR-012/80/490	1-13-15-21	RZR-P015/80/4770	16	RZR-135/80/5091	4
RZR-015/60/190	7-23	RZR-015/60/298	19	RZR-015/60/570	19	RZR-015/80/4771	16	RZR-135/80/5098	3
RZR-015/60/191	21	RZR-015/60/302	14	RZR-015/60/571	19	RZR-015/80/4772	16	RZR-135/80/5099	3
RZR-015/60/195	16	RZR-015/60/304	14	RZR-015/60/572	19	RZR-015/80/4773	16	RZR-135/80/5102	3
RZR-015/60/196	16	RZR-015/60/320	6	RZR-015/60/573	19	RZR-015/80/4774	1	RZR-135/80/5105	3
RZR-015/60/200	16	RZR-015/60/321	6	RZR-015/60/574	19	RZR-G125/80/4830	8	RZR-135/80/5106	3
RZR-015/60/210	14	RZR-015/80/360	7	RZR-015/60/575	19	RZR-125/80/4830	8	RZR-135/80/5140	5
RZR-015/60/211	14	RZR-015/80/361	9	RZR-015/60/576	19	RZR-125/80/4831	8	RZR-135/80/5141	5
RZR-015/60/212	14	RZR-015/80/362	9	RZR-015/60/577	19	RZR-125/80/4832	8-19	RZR-135/80/5142	5
RZR-015/60/214	14	RZR-015/80/364	1-21	RZR-015/60/579	19	RZR-125/80/4863	7	RZR-135/80/5145	5
RZR-G015/60/217	14	RZR-G015/80/367	8	RZR-015/80/580	19	RZR-125/80/4864	7	RZR-P135/80/5146	5
RZR-015/60/222	14	RZR-015/80/367	8	RZR-020/60/671	2	RZR-125/80/4866	7-22-23	RZR-135/80/5148	5

INDICE NUMERICO

Part. N.	Tav. N.	Part. N.	Tav. N.	Part. N.	Tav. N.	Part. N.	Tav. N.	Part. N.	Tav. N.
RZR-135/80/5152	5	RZR-G135/80/5381	15	RZR-P135/80/7307	21	RZR-015/60/7717	9-10	RZR-015/60/8116	13-20
RZR-135/80/5153	5	RZR-132/80/5383	15	RZR-135/80/7308	21	RZR-015/60/7718	10	RZR-015/60/8127	20
RZR-135/80/5154	5	RZR-G135/80/5384	15	RZR-135/80/7309	21	RZR-015/60/7719	10	RZR-015/60/8133	13-25
RZR-135/80/5156	12-13-21	RZR-G134/80/5385	15	RZR-135/80/7310	21	RZR-015/60/7722	10	RZR-015/60/8142	18-20
RZR-135/80/5180	6	RZR-G132/80/5386	15	RZR-135/80/7311	21	RZR-015/60/7727	10	RZR-015/60/8150	20
RZR-135/80/5181	6	RZR-135/80/5388	15	RZR-135/80/7312	21	RZR-135/80/7771	10	RZR-015/60/8154	20
RZR-135/80/5182	6	RZR-135/80/5472	1-16	RZR-135/80/7315	21	RZR-135/80/7772	10	RZR-015/60/8166	18-20
RZR-135/80/5186	6	RZR-135/80/5473	16	RZR-P135/80/7317	21	RZR-135/80/7774	3-10	RZR-015/60/8168	20
RZR-135/80/5188	6	RZR-135/80/5474	16	RZR-135/80/7320	21	RZR-135/80/7776	10	RZR-015/60/8169	20
RZR-P135/80/5190	6	RZR-135/80/5475	16	RZR-135/80/7321	21	RZR-135/80/7777	10	RZR-P015/60/8170	20
RZR-135/80/5190	6	RZR-135/80/5476	1	RZR-135/80/7327	21	RZR-135/80/7779	10	RZR-P015/60/8171	20
RZR-135/80/5191	6	RZR-135/80/5477	16	RZR-135/80/7328	21	RZR-135/80/7780	10	RZR-015/60/8172	20
RZR-135/80/5192	6	RZR-135/80/5478	16	RZR-135/80/7329	21	RZR-135/80/7781	10	RZR-015/60/8273	20
RZR-135/80/5193	6	RZR-135/80/5479	16	RZR-135/80/7330	21	RZR-015/60/7782	10	RZR-P015/60/8174	20
RZR-135/80/5194	6	RZR-G135/80/5480	15-16	RZR-015/60/7400	18	RZR-125/80/7792	10	RZR-P015/60/8175	20
RZR-P135/80/5195	6	RZR-135/80/5480	15-16	RZR-015/60/7402	18	RZR-125/80/7793	10	RZR-P015/60/8176	20
RZR-135/80/5220	7	RZR-135/80/5481	15-16	RZR-015/60/7405	18	RZR-125/80/7794	10	RZR-015/60/8182	20
RZR-135/80/5221	7	RZR-135/80/5482	15-16	RZR-015/60/7460	18	RZR-125/80/7795	10	RZR-015/60/8183	24
RZR-135/80/5226	7	RZR-135/80/5483	16	RZR-015/60/7407	18	RZR-125/80/7796	10	RZR-P015/60/8185	20
RZR-135/80/5227	7-22	RZR-135/80/5484	16	RZR-015/60/7410	18	RZR-015/60/7807	21	RZR-015/60/8187	20
RZR-135/80/5228	7	RZR-135/80/5485	16	RZR-015/60/7413	18	RZR-015/60/7810	21	RZR-015/60/8188	20
RZR-G135/80/5229	7	RZR-135/100/5623	23	RZR-015/60/7414	18	RZR-015/60/7811	21	RZR-015/60/8189	20
RZR-G134/80/5230	7	RZR-110/310/6450	13	RZR-015/60/7443	18	RZR-015/60/7813	21	RZR-P015/60/8190	20
RZR-G132/80/5231	7	RZR-110/310/6451	12-13	RZR-015/60/7455	1	RZR-015/60/7816	21	RZR-015/60/8192	20
RZR-135/80/5233	7	RZR-110/310/6452	12-13	RZR-015/60/7456	1	RZR-015/60/7817	21	RZR-015/60/8192	20
RZR-P135/80/5276	9	RZR-110/310/6453	12-13	RZR-135/80/7460	1	RZR-015/60/7820	21	RZR-015/60/8194	20
RZR-135/80/5283	9	RZR-110/310/6454	12-13	RZR-135/80/7461	1	RZR-015/60/7829	11-14-21	RZR-015/60/8195	20
RZR-135/80/5284	9	RZR-110/310/6455	12-13	RZR-015/80/7470	1	RZR-015/60/7834	21	RZR-015/60/8196	20
RZR-135/80/5330	11	RZR-110/310/6456	12-13	RZR-015/80/7471	1	RZR-015/60/7835	21	RZR-015/60/8197	20
RZR-135/80/5332	11	RZR-110/310/6457	13	RZR-015/80/7472	1	RZR-015/60/7845	21	RZR-015/60/8198	20
RZR-135/80/5334	11	RZR-110/310/6458	12	RZR-015/60/7508	18	RZR-015/60/7846	21	RZR-015/60/8261	18
RZR-135/80/5335	11	RZR-110/310/6459	12	RZR-P015/60/7509	18	RZR-015/80/7905	21	RZR-015/60/8681	15-16
RZR-135/80/5339	11	RZR-110/310/6464	12	RZR-015/60/7703	4-10	RZR-015/80/7909	21	RZR-015/60/8688	11-16
RZR-135/80/5340	11	RZR-110/310/6465	12	RZR-015/60/7707	10	RZR-015/80/7914	21	RZR-015/60/8689	11-16
RZR-125/80/5350	14	RZR-110/310/6466	12	RZR-015/60/7708	10	RZR-015/80/7917	21	RZR-020/60/8707	20
RZR-125/80/5351	14	RZR-110/310/6467	12	RZR-015/60/7710	10	RZR-015/80/7919	21	RZR-035/60/8806	18
RZR-135/80/5374	15	RZR-135/80/7300	21	RZR-015/60/7711	10	RZR-015/60/8001	20	RZR-035/60/8807	18
RZR-135/80/5375	15	RZR-135/80/7301	21	RZR-P015/60/7714	10	RZR-015/60/8013	21	RZR-G035/60/8809	18
RZR-135/80/5376	15	RZR-135/80/7302	21	RZR-015/60/7714	10	RZR-015/80/8044	13-18-20	RZR-040/100/8851	18
RZR-135/80/5377	15	RZR-135/80/7303	21	RZR-P015/60/7715	10	RZR-015/60/8047	22	RZR-015/60/9200	25
RZR-135/80/5378	15	RZR-P135/80/7305	21	RZR-015/60/7715	10	RZR-015/60/8069	21	RZR-015/60/9201	25

INDICE NUMERICO

Part. N.	Tav. N.	Part. N.	Tav. N.	Part. N.	Tav. N.	Part. N.	Tav. N.	Part. N.	Tav. N.
RZR-015/60/9203	24-25	RZR-801/15/10049	3-5	RZR-801/15/10126	12	RZR-801/15/10195	20	RZR-805/20/10548	22
RZR-015/60/9204	24-25	RZR-801/15/10052	9	RZR-P801/15/10127	12	RZR-G801/15/10196	20	RZR-805/20/10549	9
RZR-P015/60/9205	24-25	RZR-801/15/10053	9	RZR-P801/15/10128	12	RZR-801/15/10200	19	RZR-805/20/10550	9
RZR-015/60/9206	24-25	RZR-801/15/10055	9	RZR-801/15/10129	12	RZR-801/15/10201	19	RZR-805/20/10551	15
RZR-015/60/9207	24-25	RZR-G801/15/10056	9	RZR-801/15/10131	12	RZR-801/15/10202	9	RZR-805/15/10561	8
RZR-P015/80/9211	24-25	RZR-801/15/10057	9	RZR-801/15/10133	12	RZR-801/15/10203	9	RZR-805/15/10562	8
RZR-P015/60/9215	24	RZR-801/15/10058	9	RZR-P801/15/10135	9	RZR-801/15/10204	10	RZR-805/15/10565	13
RZR-P015/60/9220	25	RZR-801/15/10059	9	RZR-801/15/10136	4	RZR-801/15/10210	7	RZR-805/15/10566	12-13
RZR-P015/60/9407	23	RZR-801/15/10061	9	RZR-801/15/10137	3	RZR-801/15/10211	9	RZR-G810/15/10724	5
RZR-P014/60/9408	23	RZR-801/15/10062	9	RZR-801/15/10138	12	RZR-805/15/10500	2	RZR-810/15/10725	5
RZR-P012/60/9409	23	RZR-801/15/10063	9	RZR-801/15/10139	11	RZR-805/15/10501	2	RZR-810/15/10726	5
RZR-G135/80/9414	22	RZR-801/15/10064	9	RZR-801/15/10140	11	RZR-805/15/10502	2	RZR-810/15/10730	4
RZR-P135/80/9414	23	RZR-801/15/10065	9	RZR-801/15/10150	13	RZR-805/15/10503	5	RZR-G810/15/10732	4
RZR-015/80/9430	22-23	RZR-801/15/10066	7-9	RZR-801/15/10151	12	RZR-P805/15/10504	5	RZR-810/15/10733	4
RZR-015/80/9431	22-23	RZR-P801/15/10074	9	RZR-P801/15/10152	13	RZR-805/15/10508	3	RZR-810/15/10736	7
RZR-012/80/9434	22-23	RZR-801/15/10076	9	RZR-801/15/10154	13	RZR-805/15/10509	3	RZR-810/15/10738	8
RZR-015/60/9507	14	RZR-801/15/10077	9	RZR-801/15/10155	13	RZR-G805/15/10510	9	RZR-810/15/10740	8
RZR-015/60/9518	14	RZR-801/15/10078	9	RZR-801/15/10156	13	RZR-G805/14/10511	9	RZR-1/C/8	20
RZR-801/15/10002	2	RZR-801/15/10080	9	RZR-P801/15/10157	13	RZR-G805/12/10512	9	RZR-1/C/10	15-16
RZR-801/15/10003	2	RZR-P801/15/10085	9	RZR-801/15/10160	13	RZR-805/15/10513	9	RZR-1/C/15	16
RZR-801/15/10004	2	RZR-P801/15/10090	10	RZR-801/15/10161	13	RZR-805/15/10514	9	RZR-1/C/20	16
RZR-801/15/10006	3	RZR-801/15/10092	10	RZR-801/15/10162	13	RZR-805/12/10515	9	RZR-1/D/5	9-15-20
RZR-G801/15/10007	3	RZR-801/15/10093	8	RZR-P801/15/10163	13	RZR-805/12/10516	9	RZR-1/D/7	8
RZR-801/15/10010	3	RZR-801/15/10099	10	RZR-801/15/10164	13	RZR-805/15/10517	9	RZR-1/D/8	3
RZR-801/15/10011	3	RZR-801/15/10102	10	RZR-801/15/10165	13	RZR-805/15/10518	9	RZR-1/E/5	1-9-13-15
RZR-801/15/10012	4	RZR-801/15/10105	12	RZR-P801/15/10166	13	RZR-805/15/10519	9	RZR-1/E/8	24-25
RZR-801/15/10013	3	RZR-801/15/10107	12	RZR-801/15/10168	13	RZR-G805/15/10525	9	RZR-1/E/10	15-16
RZR-801/15/10014	3	RZR-801/15/10108	12	RZR-801/15/10169	13	RZR-805/15/10526	9	RZR-1/E/15	16
RZR-P801/15/10016	4	RZR-801/15/10109	12	RZR-801/15/10170	13	RZR-P805/15/10527	9	RZR-1/E/25	11-16
RZR-P801/15/10019	4	RZR-801/15/10110	12	RZR-801/15/10175	13	RZR-P805/15/10530	9	RZR-1/G/6	11
RZR-801/15/10022	5	RZR-801/15/10111	12	RZR-801/15/10176	13	RZR-805/15/10533	9	RZR-1/G/10	5-10-13-14
RZR-801/15/10026	5	RZR-P801/15/10112	12	RZR-801/15/10177	13	RZR-G805/20/10538	15		18
RZR-801/15/10037	3	RZR-P801/15/10115	12	RZR-801/15/10180	15	RZR-805/20/10539	1-13-15	RZR-1/G/14	8
RZR-801/15/10039	3	RZR-801/15/10117	12	RZR-801/15/10181	15	RZR-G805/20/10540	8	RZR-1/H/10	6-21
RZR-801/15/10040	7	RZR-801/15/10118	9	RZR-801/15/10182	13	RZR-805/20/10541	8	RZR-2/A/10	7
RZR-801/15/10041	7	RZR-801/15/10120	12	RZR-801/15/10183	13	RZR-805/20/10542	8	RZR-2/B/10	7-9-11-12
RZR-801/15/10042	7	RZR-801/15/10121	12	RZR-801/15/10184	13	RZR-805/20/10543	8		13-14-21
RZR-801/15/10043	7	RZR-801/15/10122	12	RZR-G801/15/10185	13	RZR-805/20/10544	9	RZR-2/B/12	7-15
RZR-801/15/10044	5	RZR-801/15/10123	12	RZR-P801/15/10189	20	RZR-805/20/10545	9	RZR-2/B/15	16
RZR-801/15/10045	8	RZR-801/15/10124	12	RZR-801/15/10193	20	RZR-P805/20/10546	9-19-22	RZR-2/B/20	1-12
RZR-P801/15/10046	2	RZR-P801/15/10125	12	RZR-801/15/10194	20	RZR-G805/20/10547	9	RZR-2/B/30	21

INDICE NUMERICO

Part. N.	Tav. N.	Part. N.	Tav. N.	Part. N.	Tav. N.	Part. N.	Tav. N.	Part. N.	Tav. N.
RZR-2/C/10	4-6-12-22 23	RZR-4/W/20	5	RZR-30/B/14	7	RZR-51/H/8	7-9-10-11-13		
RZR-2/C/14	1-3-8-20 24-25	RZR-5/N/55	8	RZR-30/E/25	3	RZR-51/L/10	14-18-20-21		
RZR-2/C/15	9-13	RZR-7/G/20	12	RZR-31/D/12	7		1-2-9-12-13		
RZR-2/C/16	21	RZR-7/H/30	7	RZR-31/E/12	8		21		
RZR-2/C/25	15	RZR-7/R/55	8	RZR-32/E/12	6	RZR-51/M/12	9		
RZR-2/C/30	2	RZR-9/B/25	4-8	RZR-36/E/10	8-10-20-22	RZR-58/F/16	5-10		
RZR-2/D/16	1-6-9-11-21	RZR-12/B/16	9		23	RZR-58/M/45	3		
RZR-2/D/20	9-14-24	RZR-12/C/15	12	RZR-36/E/20	7-8	RZR-59/C/10	8		
RZR-2/D/25	6-8-10	RZR-12/D/20	3-4-5	RZR-36/E/30	18	RZR-59/E/12	8		
RZR-2/D/30	6-9	RZR-12/E/25	3	RZR-36/F/10	2-5-12-13	RZR-59/H/12	2		
RZR2/D/35	5	RZR-13/B/10	11		14	RZR-60/C/5	4		
RZR-2/M/14	8	RZR-14/B/5	10	RZR-36/F/15	5-6-7-8-11	RZR-60/E/6	2-12-13		
RZR-3/C/6	9-13	RZR-14/C/6	5		12-20-25	RZR-60/F/8	12		
RZR-3/C/8	2-9-20	RZR-14/G/10	18	RZR-36/F/20	3-4-8-18	RZR-60/L/12	8		
RZR-3/D/6	2-7-10-22 23	RZR-14/F/4	7	RZR-36/F/22	13	RZR-60/R/4	21		
RZR-3/D/8	1-4-7-9-11 12-20-21-22 23	RZR-16/F/4	21-22-23	RZR-36/F/25	9-15-20-21	RZR-60/T/70	8		
RZR-3/D/10	5-7-9-11-12 13-14-15-20	RZR-16/F/5	21	RZR-36/F/30	20-24-25	RZR-60/W/15	4		
RZR-3/D/15	4-24-25	RZR-16/F/6	4-15	RZR-36/F/40	18	RZR-61/A/6	20		
RZR-3/D/50	8	RZR-16/F/12	5	RZR-36/F/50	2-18-20	RZR-61/E/8	7-9		
RZR-3/E/8	9	RZR-16/G/5	6	RZR-36/G/20	2-4-5-6-7-10	RZR-62/A/4	16		
RZR-3/E/10	4-8-10-12 13-24-25	RZR-16/G/6	1-14-15-16		13-14-20-21	RZR-62/C/5	5-8-13-18		
RZR-3/E/15	2-6-7-10	RZR-16/G/8	21	RZR-36/G/25	2-3-5-9-10		20-22-23		
RZR-3/E/30	8	RZR-16/G/10	6-9-15		12-13	RZR-62/D/6	3-4-5-6-8-9		
RZR-4/A/8	1	RZR-16/G/15	6-14	RZR-36/G/30	9		11-12-18-20		
RZR-4/D/10	5-12-13-21	RZR-17/Z/51	2	RZR-36/G/40	8		21-25		
RZR-4/E/12	13	RZR-18/Z/51	10	RZR-36/H/25	1	RZR-62/F/8	2-3-4-5-6-7		
RZR-4/F/15	2-10-11-12 13-20	RZR-18/R/55	7	RZR-36/H/40	12		8-9-10-11-12		
RZR-4/H/20	3-5-6-10	RZR-18/S/100	8	RZR-36/H/50	6		13-14-18-21		
RZR-4/L/25	24-25	RZR-20/D/30	8	RZR-36/R/25	7-22-23	RZR-62/G/10	1-2-6-9-12		
RZR-4/Q/30	7	RZR-20/E/30	6	RZR-40/P/8	10		13-21		
RZR-4/S/5	13-18-20	RZR-26/E/8	20-21	RZR-41/B/7	9-10-19-22	RZR-62/H/12	9		
RZR-4/T/12	10	RZR-26/E/10	20		23	RZR-63/G/32	9		
RZR-4/Y/12	9	RZR-26/F/10	3-9-10-14	RZR-50/D/6	7-8				
		RZR-26/F/15	1-4-8	RZR-50/F/10	8				
		RZR-26/H/8	21	RZR-51/B/3	16				
		RZR-26/H/10	12	RZR-51/F/5	5-7-13-16				
		RZR-26/H/15	11		18-20				
		RZR-26/L/25	11	RZR-51/G/6	2-7-10-13-18				
		RZR-27/L/40	9		20-22-23-24				
		RZR-28/H/20	4		25				
		RZR-28/L/25	3-4						

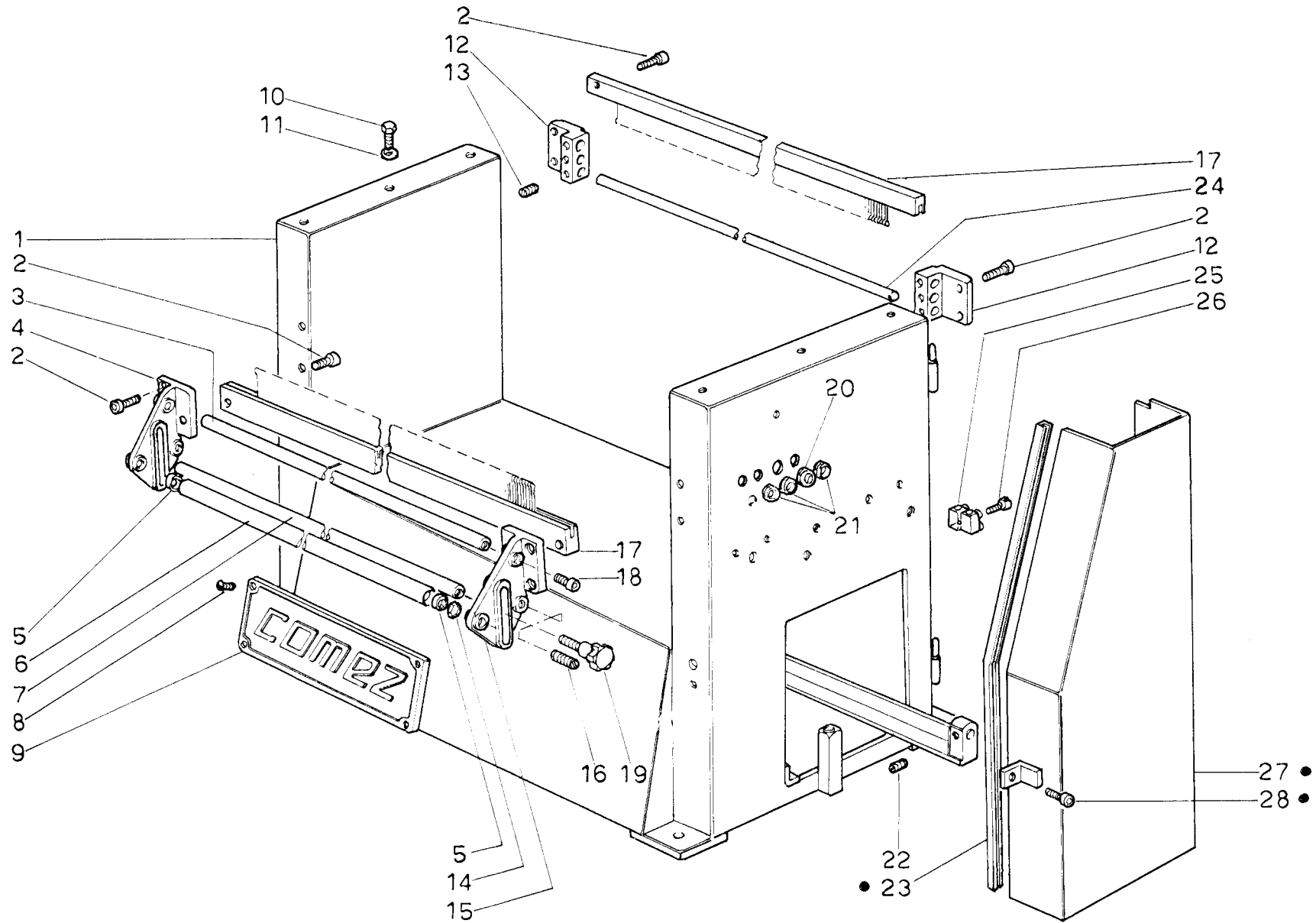


Fig. N. Abb. N.	Part. N. Bestell N. Piece N. Pieza N.	DESCRIZIONE	Fig. N. Abb. N.	Part. N. Bestell N. Piece N. Pieza N.	DESCRIZIONE
●	RZR-G135/80/5013	carter trasmissione completo			
1	RZR-P135/80/5007	basamento			
2	RZR-2/C/14	vite			
3	RZR-015/80/7471	asta fissa tensionatore			
4	RZR-135/80/7461	supporto sinistro tensionatore			
5	RZR-4/A/8	cuscinetto			
6	RZR-015/80/7470	asta tensionatore			
7	RZR-015/80/7472	asta mobile tensionatore			
8	RZR-26/F/15	vite			
9	RZR-110/280/3554	targhetta "COMEZ"			
10	RZR-36/H/25	vite			
11	RZR-62/G/10	rondella			
12	RZR-135/80/5020	supporto pettine posteriore			
13	RZR-16/G/6	vite			
14	RZR-51/L/10	dado			
15	RZR-135/80/7460	supporto destro tensionatore			
16	RZR-015/60/7455	vite			
17	RZR-015/80/395	pettine aperto fin. 15			
17	RZR-014/80/411	pettine aperto fin. 14			
17	RZR-012/80/490	pettine aperto fin. 12			
17	RZR-805/20/10539	pettine aperto fin. 20			
18	RZR-2/D/16	vite			
19	RZR-015/60/7456	pomello			
20	RZR-125/80/5476	passacavi			
21	RZR-015/80/4774	passacavi			
22	RZR-3/D/8	vite			
23	RZR-135/80/5018	guarnizione carter			
24	RZR-015/80/364	asta pettine posteriore			
25	RZR-135/80/5472	morsetto			
26	RZR-1/E/5	vite			
27	RZR-P135/80/5013	carter trasmissione			
28	RZR-2/B/20	vite			

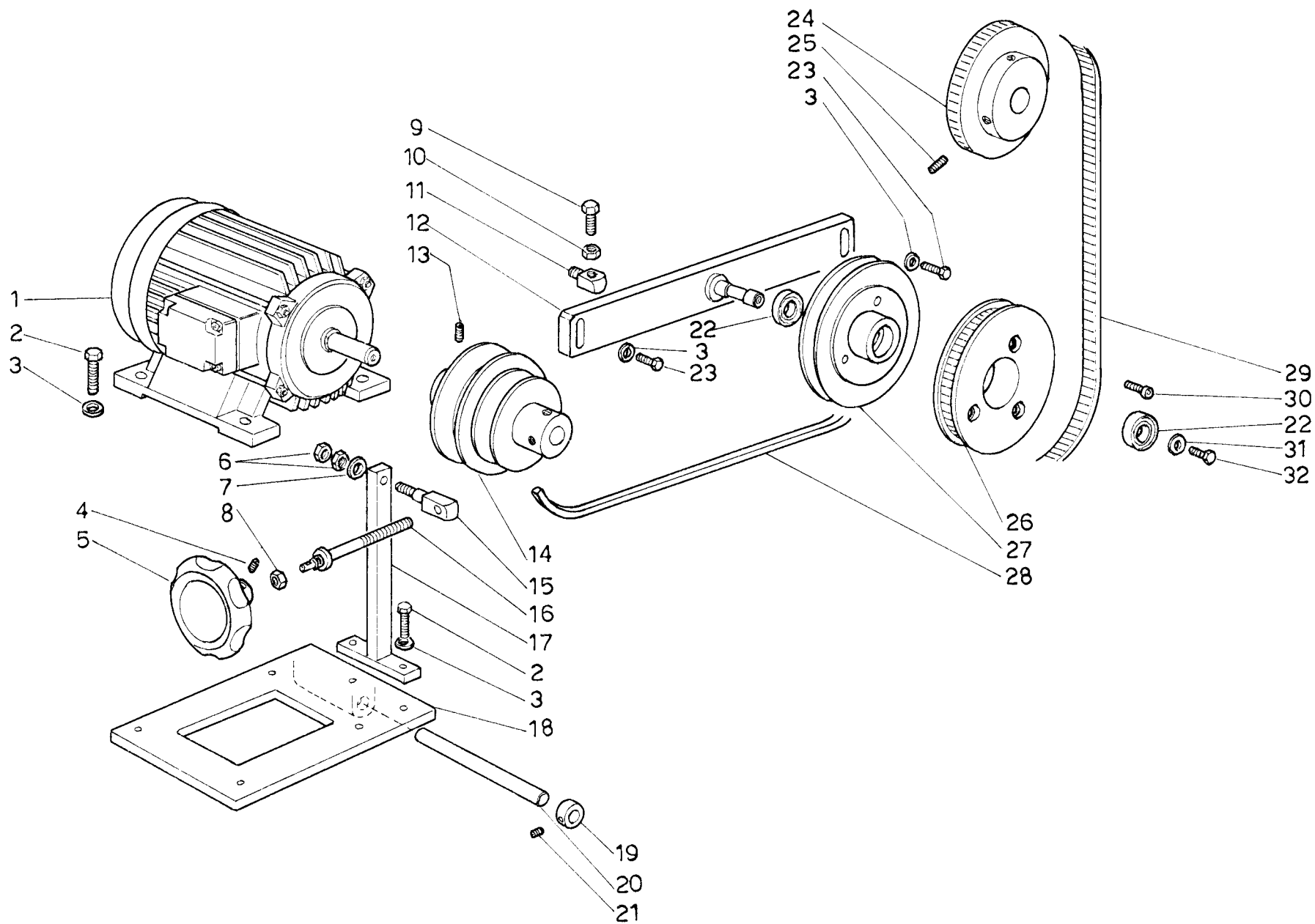


Fig. N. Abb. N.	Part. N. Bestell N. Piece N. Pieza N.	DESCRIZIONE	Fig. N. Abb. N.	Part. N. Bestell N. Piece N. Pieza N.	DESCRIZIONE
1	RZR-135/80/5039	motore HP 1			
2	RZR-36/G/20	vite			
3	RZR-62/F/8	rondella			
4	RZR-3/D/6	vite			
5	RZR-135/80/5053	volantino			
6	RZR-51/L/10	dado			
7	RZR-62/G/10	rondella			
8	RZR-59/H/12	dado			
9	RZR-36/F/50	vite			
10	RZR-51/G/6	dado			
11	RZR-082/150/2065	perno			
12	RZR-P801/15/10046	supporto			
13	RZR-3/C/8	vite			
14	RZR-805/15/10500	puleggia motore			
15	RZR-015/60/021	spinotto			
16	RZR-P135/80/5055	alberino			
17	RZR-P135/80/5043	braccio			
18	RZR-135/80/5040	piastra			
19	RZR-082/150/2104	anello			
20	RZR-135/80/5041	perno			
21	RZR-16/G/15	vite			
22	RZR-4/F/15	cuscinetto			
23	RZR-36/G/25	vite			
24	RZR-801/15/10003	ruota dentata			
25	RZR-3/E/15	vite			
26	RZR-801/15/10002	ruota dentata			
27	RZR-805/15/10501	puleggia trasm. 50 Hz			
27	RZR-805/15/10502	puleggia trasm. 60 Hz			
28	RZR-020/60/671	cinghia trapez. 50 Hz (A 36)			
28	RZR-026/60/715	cinghia trapez. 60 Hz (A38)			
29	RZR-801/15/10004	cinghia dentata			
30	RZR-2/C/30	vite			
31	RZR-60/E/6	rondella			
32	RZR-36/F/10	vite			

CASSETTE - LATERALI - CENTRALE

TAV. 3

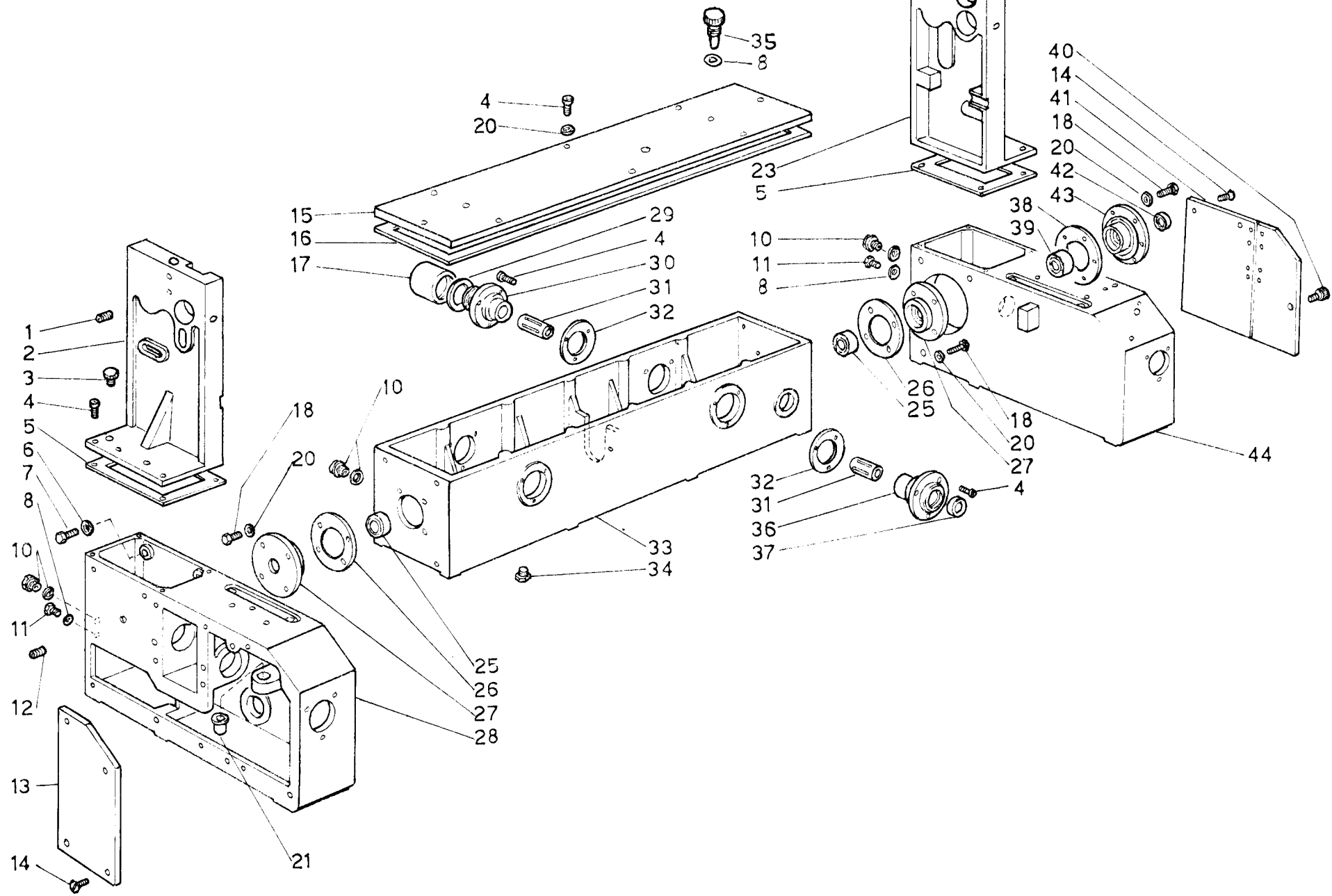


Fig. N. Abb. N.	Part. N. Bestell N. Piece N. Pieza N.	DESCRIZIONE	Fig. N. Abb. N.	Part. N. Bestell N. Piece N. Pieza N.	DESCRIZIONE
1	RZR-3/D/8	vite			
2	RZR-801/15/10014	spalletta sinistra			
3	RZR-015/60/138	tappo			
4	RZR-2/C/14	vite			
5	RZR-801/15/10006	guarnizione			
6	RZR-62/F/8	rondella			
7	RZR-36/G/25	vite			
8	RZR-125/80/4913	guarnizione			
10	RZR-805/15/10509	livello olio			
11	RZR-015/60/139	tappo scarico olio			
12	RZR-135/80/5102	tappo cassetta sinistra			
13	RZR-135/80/7774	carter cassetta sinistra			
14	RZR-26/F/10	vite			
15	RZR-135/80/5098	coperchio cassetta centrale			
16	RZR-135/80/5099	guarnizione			
17	RZR-015/80/4518	coperchio bussola posteriore			
18	RZR-36/F/20	vite			
20	RZR-62/D/6	rondella			
21	RZR-135/80/5106	bronzina			
23	RZR-801/15/10013	spalletta destra			
25	RZR-28/L/25	cuscinetto			
26	RZR-801/15/10039	guarnizione			
27	RZR-135/80/5082	copricuscinetto			
28	RZR-135/80/5085	cassetta sinistra			
29	RZR-58/M/45	rondella speciale			
30	RZR-801/15/10011	bussola posteriore			
31	RZR-30/E/25	cuscinetto assiale			
32	RZR-801/15/10037	guarnizione			
33	RZR-801/15/10137	cassetta centrale			
34	RZR-015/60/086	tappo scarico olio			
35	RZR-805/15/10508	tappo sfiato olio			
36	RZR-801/15/10010	bussola anteriore			
37	RZR-12/E/25	anello tenuta			
38	RZR-801/15/10049	guarnizione			
39	RZR-4/H/20	cuscinetto			
40	RZR-135/80/5105	pomello carter			
41	RZR-G801/15/10007	carter cassetta destra			
42	RZR-12/D/20	anello tenuta			
43	RZR-135/80/5083	copri cuscinetto			
44	RZR-135/80/5084	cassetta destra			

ALBERI - POMPETTA

TAV. 4

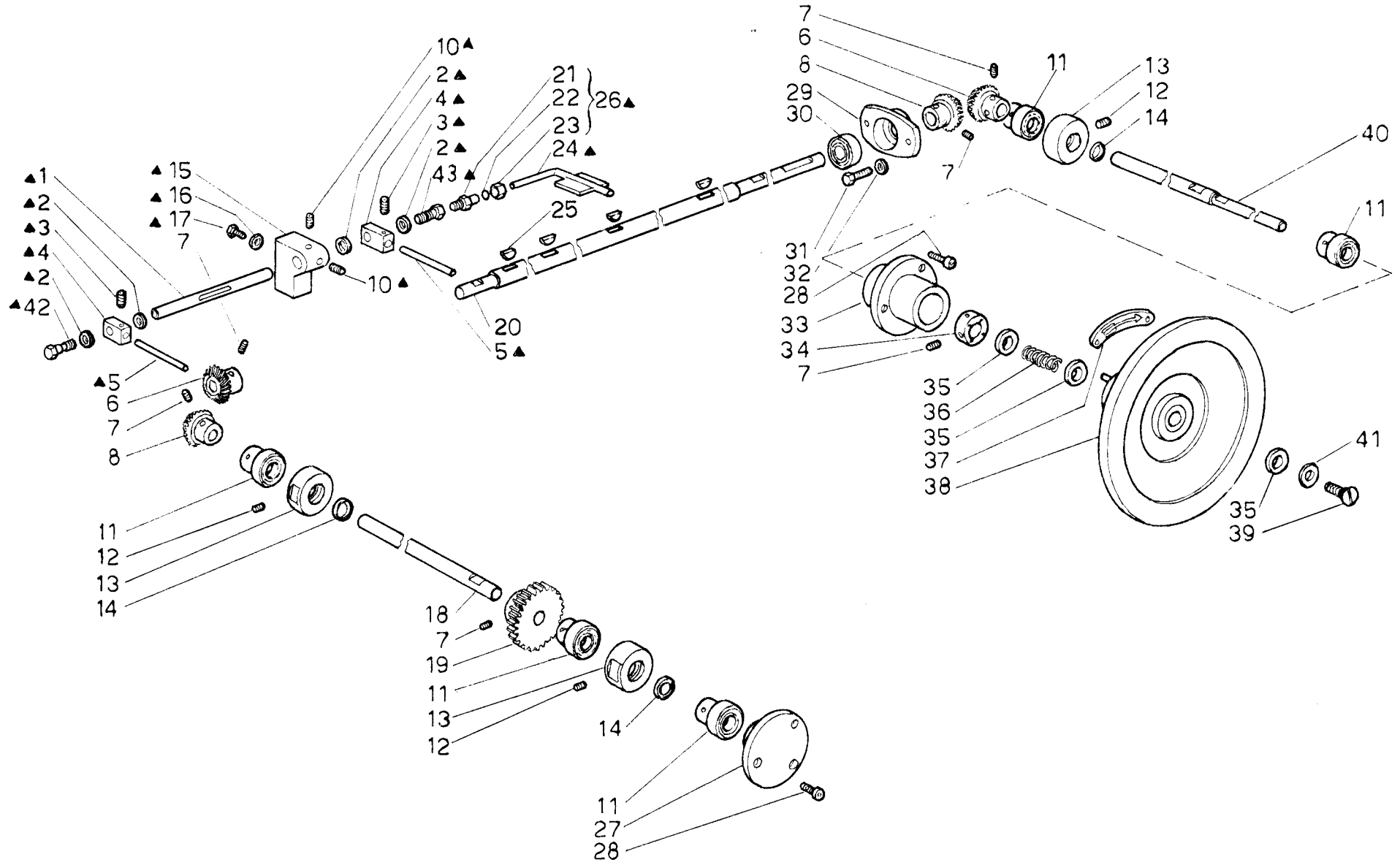


Fig. N. Abb. N.	Part. N. Bestell N. Piece N. Pieza N.	DESCRIZIONE	Fig. N. Abb. N.	Part. N. Bestell N. Piece N. Pieza N.	DESCRIZIONE
▲	RZR-G810/15/10732	gruppo lubrificazione			
1	RZR-125/80/4908	tubo distribuzione			
2	RZR-125/80/4913	guarnizione			
3	RZR-16/F/6	vite			
4	RZR-125/80/4910	blocchetto distribuzione			
5	RZR-801/15/10136	tubetto			
6	RZR-015/80/4535	pignone conico sinistro			
7	RZR-3/E/10	vite			
8	RZR-015/80/4534	pignone conico DX			
10	RZR-3/D/8	vite			
11	RZR-28/H/20	cuscinetto			
12	RZR-3/D/15	vite			
13	RZR-135/80/5091	porta cuscinetto			
14	RZR-12/D/20	anello di tenuta			
15	RZR-810/15/10733	supporto			
16	RZR-62/D/6	rondella			
17	RZR-36/F/20	vite			
18	RZR-135/80/5090	albero sinistro			
19	RZR-015/60/7703	ingranaggio per tramatore			
20	RZR-810/15/10730	albero centrale			
21	RZR-125/80/4919	niples			
22	RZR-125/80/4920	anello di tenuta			
23	RZR-125/80/4921	dado per raccordo			
24	RZR-P125/80/4917	tubetto destro			
25	RZR-9/B/25	chiavetta			
26	RZR-G125/80/4919	raccordo completo			
27	RZR-015/80/4529	copricuscinetto			
28	RZR-2/C/10	vite			
29	RZR-015/60/083	supporto cuscinetto			
30	RZR-28/L/25	cuscinetto			
31	RZR-36/G/20	vite			
32	RZR-62/F/8	rondella			
33	RZR-801/15/10012	copricuscinetto			
34	RZR-801/15/10019	anello			
35	RZR-60/W/15	rondella			
36	RZR-082/150/2099	molla			
37	RZR-015/60/114	targhetta di rotazione			
38	RZR-P801/15/10016	volantino			
39	RZR-26/F/15	vite			
40	RZR-135/80/5089	albero destro			
41	RZR-60/C/5	rondella			
42	RZR-125/80/4909	raccordo sinistro			
43	RZR-125/80/4916	raccordo destro			

RIDUTTORE

TAV. 5

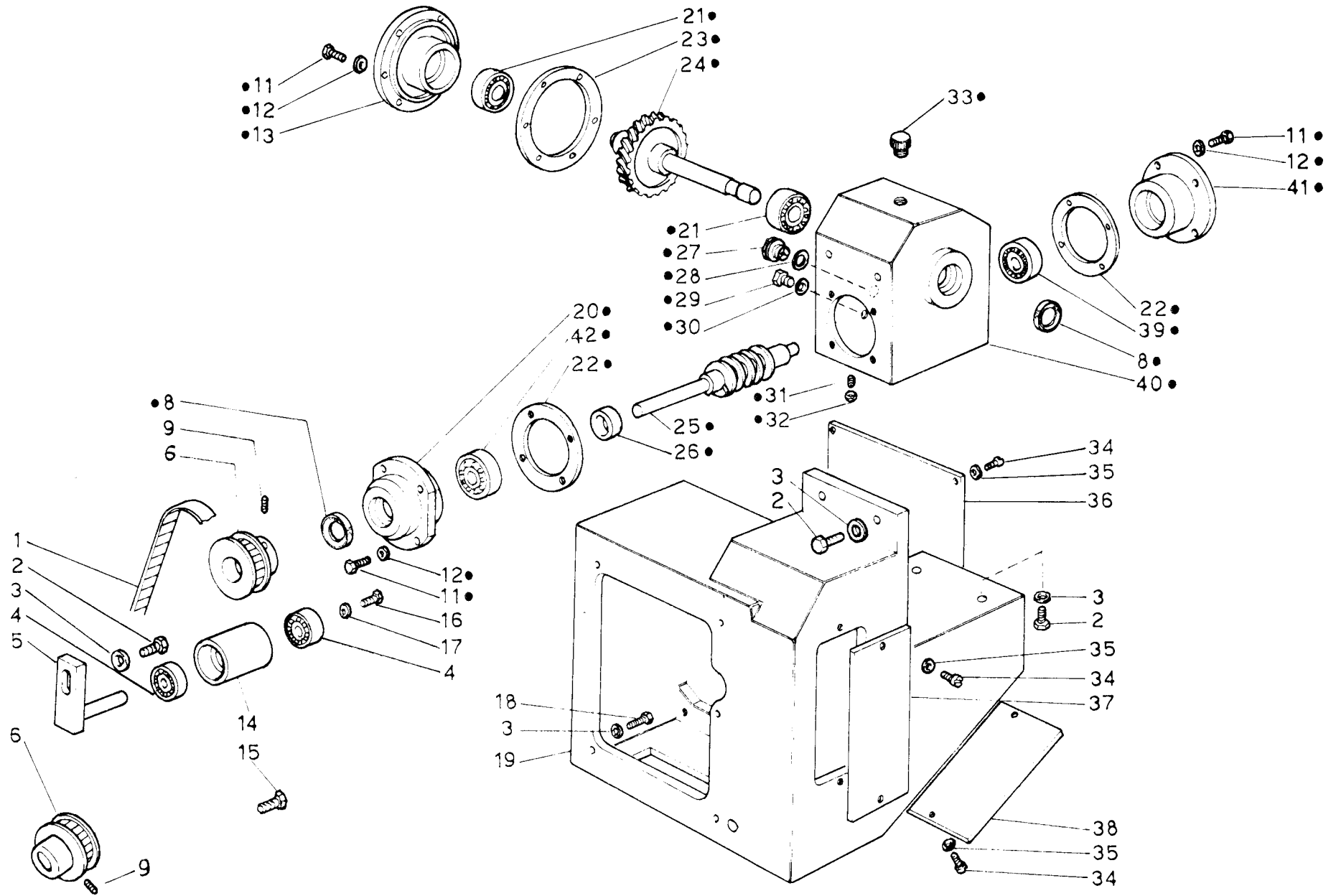


Fig. N. Abb. N.	Part. N. Bestell N. Piece N. Pieza N.	DESCRIZIONE	Fig. N. Abb. N.	Part. N. Bestell N. Piece N. Pieza N.	DESCRIZIONE
●	RZR-G810/15/10724	riduttore completo			
1	RZR-801/15/10022	cinghia dentata			
2	RZR-36/G/25	vite			
3	RZR-62/F/8	rondella			
4	RZR-4/D/10	cuscinetto			
5	RZR-P805/15/10504	supporto			
6	RZR-805/15/10503	ingranaggio			
8	RZR-12/D/20	anello di tenuta			
9	RZR-3/D/10	vite			
11	RZR-36/F/15	vite			
12	RZR-14/C/6	rondella			
13	RZR-135/80/5142	copricuscinetto laterale			
14	RZR-801/15/10026	rullo tendicinghia			
15	RZR-2/D/35	vite			
16	RZR-36/F/10	vite			
17	RZR-62/D/6	rondella			
18	RZR-36/G/20	vite			
19	RZR-135/80/5140	supporto riduttore			
20	RZR-135/80/5145	copricuscinetto anteriore			
21	RZR-4/H/20	cuscinetto			
22	RZR-801/15/10044	guarnizione			
23	RZR-801/15/10049	guarnizione			
24	RZR-P135/80/5146	ingranaggio			
25	RZR-810/15/10725	vite senza fine			
26	RZR-135/80/5148	distanziale			
27	RZR-082/150/2020	livello olio			
28	RZR-58/F/16	rondella			
29	RZR-015/60/139	tappo scarico			
30	RZR-125/80/4913	guarnizioni			
31	RZR-16/F/12	vite			
32	RZR-51/F/5	dado			
33	RZR-015/60/138	tappo rifornimento			
34	RZR-1/G/10	vite			
35	RZR-62/C/5	rondella			
36	RZR-135/80/5152	carter trasmissione			
37	RZR-135/80/5153	carter rullo tendicinghia			
38	RZR-135/80/5154	carter inferiore			
39	RZR-4/H/20	cuscinetto			
40	RZR-135/80/5141	scatola riduttore			
41	RZR-810/15/10726	copricuscinetto posteriore			
42	RZR-4/W/20	cuscinetto			

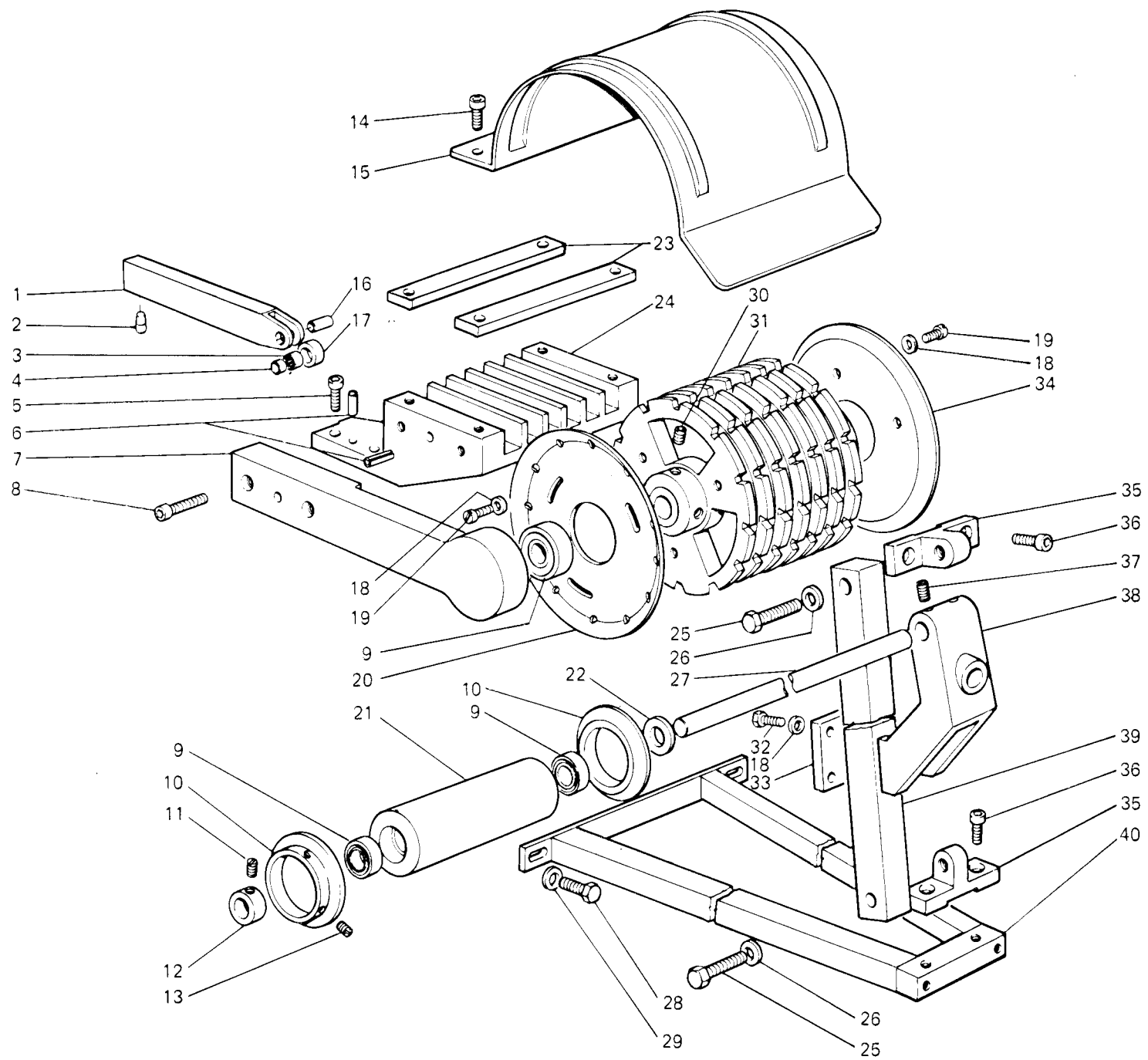


Fig. N. Abb. N.	Part. N. Bestell N. Piece N. Pieza N.	DESCRIZIONE	Fig. N. Abb. N.	Part. N. Bestell N. Piece N. Pieza N.	DESCRIZIONE
1	RZR-015/80/4605	asta scorrevole			
2	RZR-015/60/057	pernetto			
3	RZR-32/E/12	cuscinetto a rullini			
4	RZR-015/60/285	anello interno			
5	RZR-2/D/30	vite			
6	RZR-20/E/30	spina elastica			
7	RZR-135/80/5181	supporto			
8	RZR-2/D/25	vite			
9	RZR-4/H/20	cuscinetto			
10	RZR-015/80/4682	flangia			
11	RZR-16/G/5	vite			
12	RZR-015/60/271	anello			
13	RZR-16/G/10	vite			
14	RZR-2/C/10	vite			
15	RZR-135/80/5196	carter			
16	RZR-015/60/146	perno			
17	RZR-015/80/4604	rullo cuscinetto			
18	RZR-62/D/6	rondella			
19	RZR-1/H/10	vite			
20	RZR-015/60/321	flangia sinistra			
21	RZR-P135/80/5190	cilindro			
22	RZR-135/80/5191	anello			
23	RZR-135/80/5188	piastra			
24	RZR-135/80/5180	supporto			
25	RZR-36/H/50	vite			
26	RZR-62/G/10	rondella			
27	RZR-135/80/5189	perno			
28	RZR-36/G/20	vite			
29	RZR-62/F/8	rondella			
30	RZR-3/E/15	vite			
31	RZR-135/80/5182	tamburo glider			
32	RZR-36/F/15	vite			
33	RZR-135/80/5186	staffa			
34	RZR-015/60/320	flangia destra			
35	RZR-135/80/5193	attacco per asta			
36	RZR-2/D/16	vite			
37	RZR-16/G/8	vite			
38	RZR-135/80/5192	supporto			
39	RZR-135/80/5194	asta			
40	RZR-P135/80/5195	sostegno			

PIASTRE ALZABARRE

TAV. 7

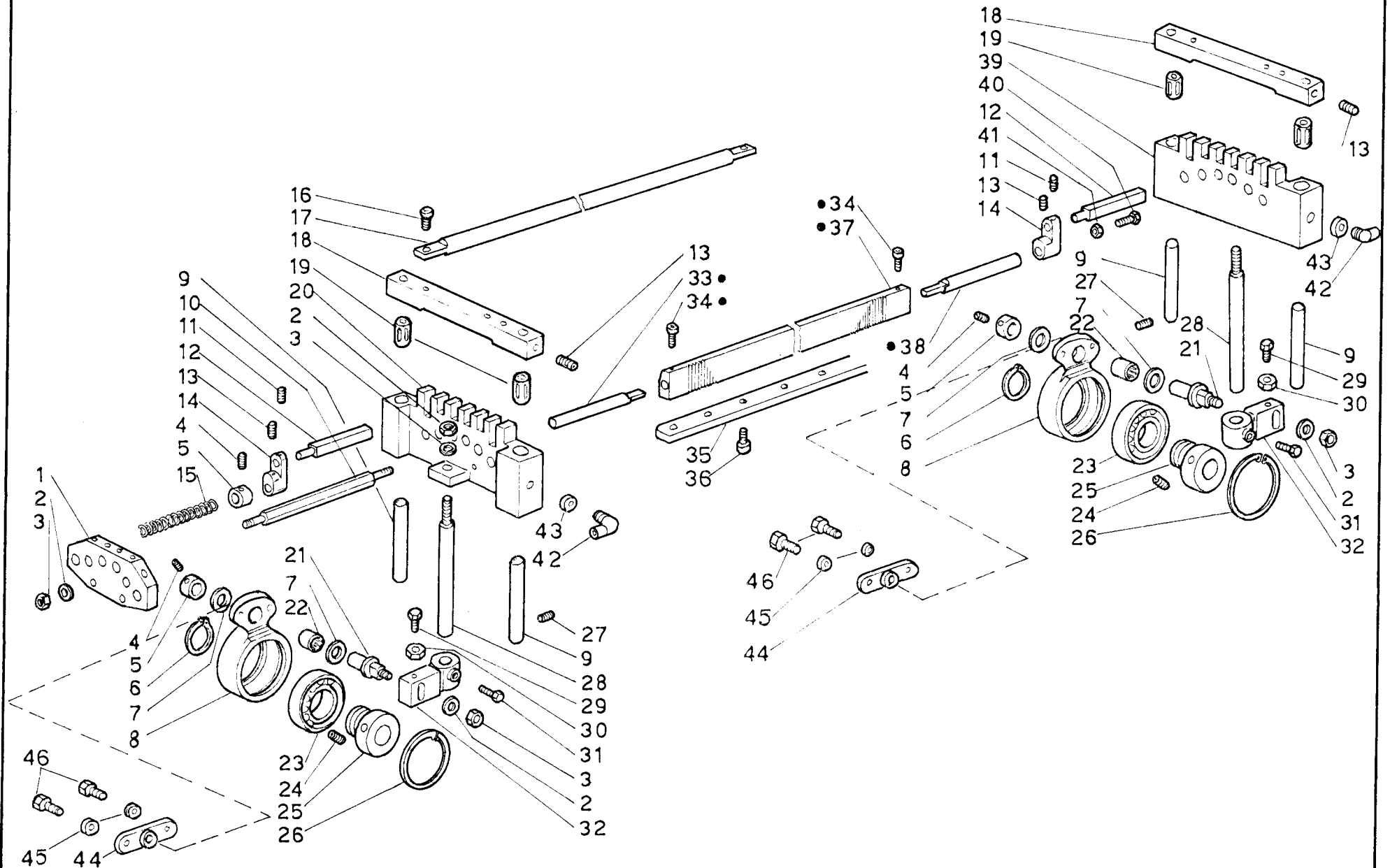
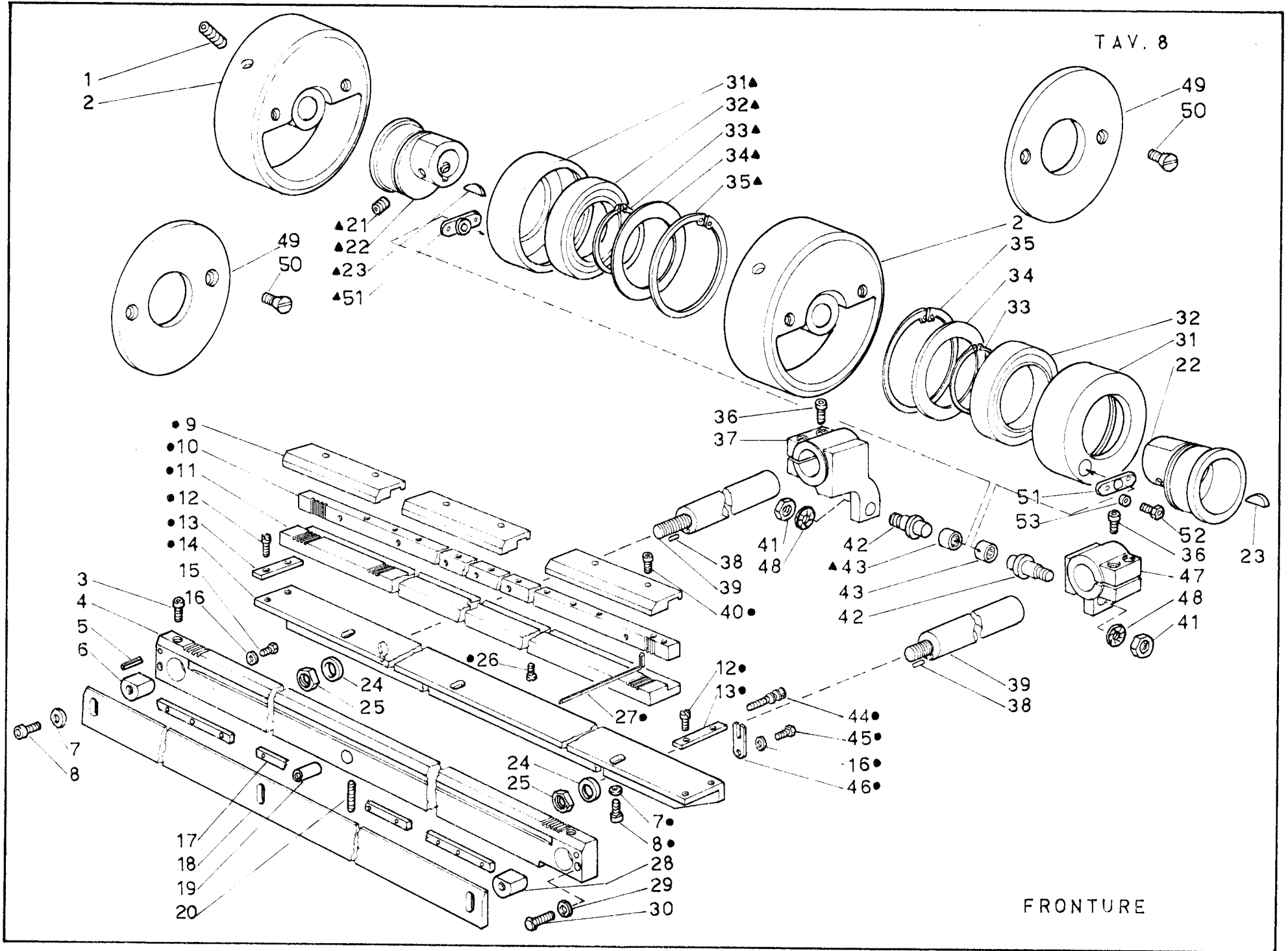
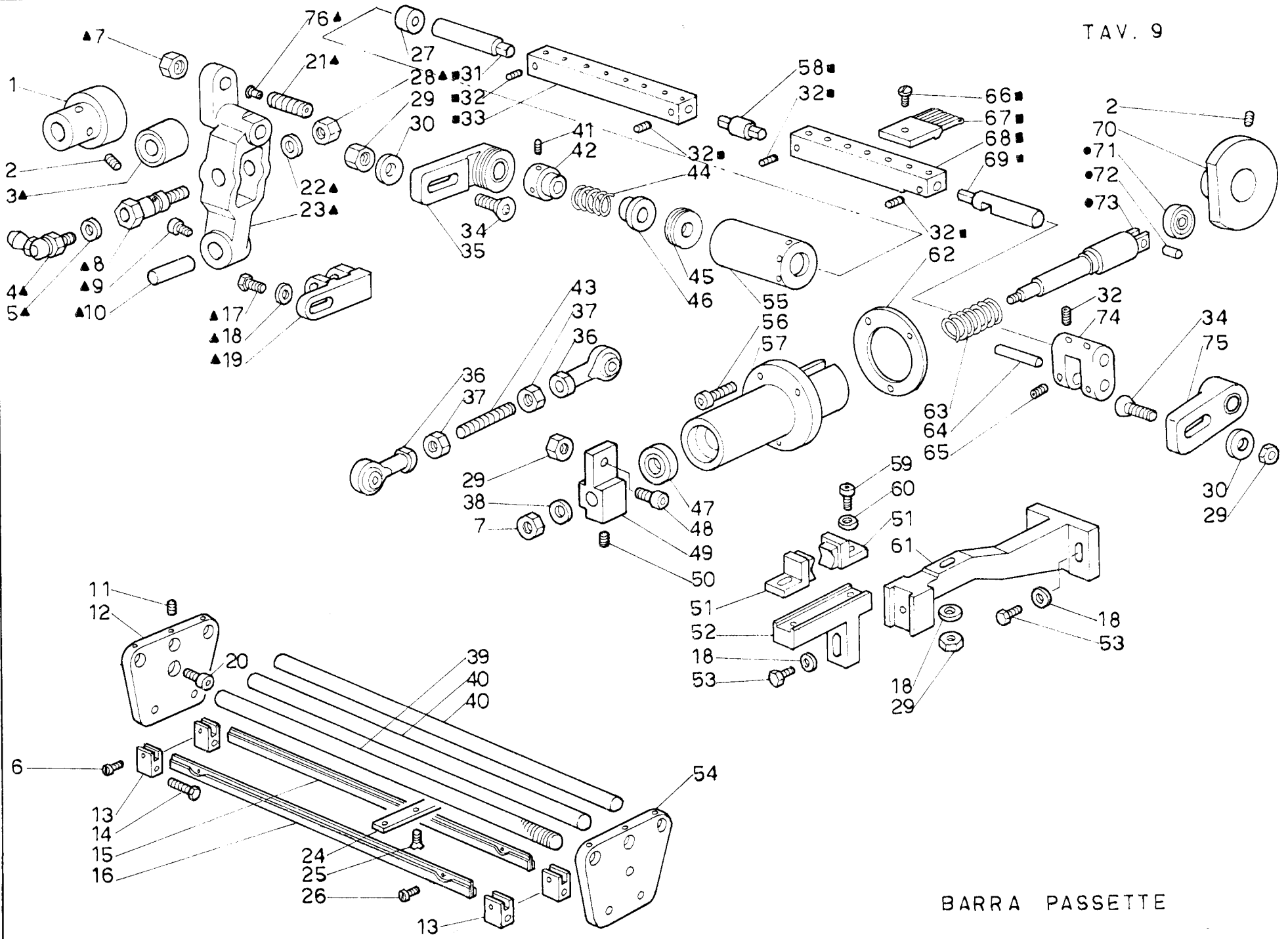


Fig. N. Abb. N.	Part. N. Bestell N. Piece N. Pieza N.	DESCRIZIONE	Fig. N. Abb. N.	Part. N. Bestell N. Piece N. Pieza N.	DESCRIZIONE
●	RZR-G135/80/5229	barra completa fin. 15	39	RZR-801/15/10040	piastra porta barre destra
●	RZR-G134/80/5230	barra completa fin. 14	40	RZR-36/R/25	vite
●	RZR-G132/80/5231	barra completa fin. 12	41	RZR-51/G/6	dado
●	RZR-G010/80/4611	barra completa fin. 10 (per m/c fin. 20)	42	RZR-801/15/10066	ingrassatore
1	RZR-135/80/5226	piastra	43	RZR-61/E/8	rondella
2	RZR-62/F/8	rondella	44	RZR-810/15/10736	bloccetto
3	RZR-51/H/8	dado	45	RZR-50/D/6	rondella
4	RZR-16/F/4	vite	46	RZR-36/F/15	vite
5	RZR-015/60/010	anello			
6	RZR-7/H/30	anello di fermo			
7	RZR-125/80/4864	rondella di rasamento			
8	RZR-135/80/5228	biella			
9	RZR-801/15/10043	colonna guida piastra			
10	RZR-125/80/4868	perno			
11	RZR-3/D/6	vite			
12	RZR-015/60/188	spina			
13	RZR-3/D/8	vite			
14	RZR-015/60/187	supportino			
15	RZR-015/60/190	molla			
16	RZR-2/B/12	vite			
17	RZR-015/80/4610	asta rinvio fili			
18	RZR-801/15/10042	bloccetti			
19	RZR-30/B/14	cuscinetti assiali			
20	RZR-801/15/10041	piastra porta barre sinistra			
21	RZR-125/80/4863	perno			
22	RZR-31/D/12	cuscinetti a rullini			
23	RZR-4/Q/30	cuscinetto			
24	RZR-3/E/15	vite			
25	RZR-135/80/5233	eccentrico			
26	RZR-18/R/55	anello di fermo			
27	RZR-3/D/10	vite			
28	RZR-135/80/5221	perno			
29	RZR-36/E/20	vite			
30	RZR-51/F/5	dado			
31	RZR-36/G/20	vite			
32	RZR-135/80/5220	supporto			
33	RZR-125/80/4866	perno lungo			
34	RZR-2/B/10	vite			
35	RZR-801/15/10210	piattina rinforzo 1 ^a barra			
36	RZR-2/A/10	vite			
37	RZR-015/80/360	barra tubetti fin. 15			
37	RZR-014/80/400	barra tubetti fin. 14			
37	RZR-012/80/480	barra tubetti fin. 12			
37	RZR-010/80/4611	barra tubetti fin. 10 (per m/c fin. 20)			
38	RZR-135/80/5227	perno corto			



FRONTURE

Fig. N. Abb. N.	Part. N. Bestell N. Pieça N. Pieça N.	DESCRIZIONE.	Fig. N. Abb. N.	Part. N. Bestell N. Pieça N. Pieça N.	DESCRIZIONE
●	RZR-G015/80/367	frontura posteriore fin. 15	29	RZR-62/F/8	rondella
●	RZR-G014/80/402	frontura posteriore fin. 14	30	RZR-36/G/40	vite
●	RZR-G012/80/482	frontura posteriore fin. 12	31	RZR-125/80/4831	biella per eccentrico
●	RZR-G805/20/10540	frontura posteriore fin. 20	32	RZR-5/N/55	cuscinetto
▲	RZR-G125/80/4830	eccentrico frontura completo	33	RZR-7/R/55	anello di fermo
1	RZR-3/E/30	vite	34	RZR-60/T/70	rondella
2	RZR-801/15/10045	volano	35	RZR-18/S/100	anello di fermo
3	RZR-36/F/20	vite	36	RZR-2/D/25	vite
4	RZR-015/80/375	frontura anteriore fin. 15	37	RZR-015/60/093	supporto sinistro
4	RZR-014/80/404	frontura anteriore fin. 14	38	RZR-015/60/057	spina
4	RZR-012/80/484	frontura anteriore fin. 12	39	RZR-015/60/094	pistone cassetta centrale
4	RZR-805/20/10543	frontura anteriore fin. 20	40	RZR-2/M/14	vite
5	RZR-20/D/30	spina elastica	41	RZR-59/C/10	dado
6	RZR-015/60/105	perno di regolazione	42	RZR-810/15/10738	perno
7	RZR-62/D/6	rondella	43	RZR-31/E/12	cuscinetto a rullini
8	RZR-2/C/14	vite	44	RZR-015/60/100	vite di regolazione
9	RZR-015/60/102	placca fissa aghi fin. 15	45	RZR-36/E/10	vite
9	RZR-014/60/423	placca fissa aghi fin. 14	46	RZR-015/60/099	piastrina
9	RZR-012/60/453	placca fissa aghi fin. 12	47	RZR-015/60/092	supporto destro
9	RZR-020/60/679	placca fin. 10 (per m/c fin. 20)	48	RZR-50/F/10	rondella
10	RZR-015/80/4560	barretta ferma aghi fin. 15	49	RZR-810/15/10740	coperchietto
10	RZR-014/80/4561	barretta ferma aghi fin. 14	50	RZR-26/F/15	vite
10	RZR-012/80/4562	barretta ferma aghi fin. 12	51	RZR-805/15/10561	blocchetto
10	RZR-805/20/10542	barretta ferma aghi fin. 20	52	RZR-36/F/15	vite
11	RZR-015/80/367	frontura posteriore fin. 15	53	RZR-50/D/6	rondella
11	RZR-014/80/402	frontura posteriore fin. 14			
11	RZR-012/80/482	frontura posteriore fin. 12			
11	RZR-805/20/10541	frontura posteriore fin. 20			
12	RZR-1/D/7	vite			
13	RZR-015/60/140	piastrina			
14	RZR-015/80/369	angolare porta barre			
15	RZR-36/E/20	vite			
16	RZR-62/C/5	rondella			
17	RZR-801/15/10093	barretta riportata			
18	RZR-805/15/10562	asta ferma lavoro			
19	RZR-015/80/396	perno centrale			
20	RZR-3/D/50	vite			
21	RZR-3/E/10	vite			
22	RZR-125/80/4830	corpo eccentrico			
23	RZR-9/B/25	chiavetta			
24	RZR-60/L/12	rondella			
25	RZR-59/E/12	dado			
26	RZR-1/G/14	vite			
27	RZR-125/80/4832	ago a becco			
28	RZR-015/60/405	perno di regolazione			



BARRA PASSETTE

Fig. N. Abb. N.	Part. N. Bestell N. Piece N. Pieza N.	DESCRIZIONE	Fig. N. Abb. N.	Part. N. Bestell N. Piece N. Pieza N.	DESCRIZIONE
■	RZR-G805/15/10510	barra passette fin, 15	39	RZR-012/80/481	vite divisione fili fin, 12
■	RZR-G805/14/10511	barra passette fin, 14	39	RZR-805/20/10544	vite divisione fili fin, 20
■	RZR-805/12/10512	barra passette fin, 12	40	RZR-015/80/362	asta divisione fili
■	RZR-G805/20/10547	barra passette fin, 20	41	RZR-3/C/6	vite
●	RZR-G801/15/10056	pistone completo	42	RZR-801/15/10202	bussola
▲	RZR-G805/15/10525	leva sposta barra passette	43	RZR-801/15/10063	asta filettata
1	RZR-801/15/10078	camme fin, 15-14-12	44	RZR-801/15/10118	molla
1	RZR-805/20/10545	camme fin, 20	45	RZR-801/15/10076	cuscinetto reggispinta
2	RZR-3/E/8	vite	46	RZR-801/15/10077	rondella
3	RZR-801/15/10052	rotella	47	RZR-12/B/16	anello di tenuta
4	RZR-801/15/10066	ingrassatore	48	RZR-2/D/30	vite
5	RZR-61/E/8	rondella	49	RZR-801/15/10064	blocchetto
6	RZR-1/E/5	vite	50	RZR-3/D/10	vite
7	RZR-51/L/10	dado	51	RZR-P801/15/10135	blocchetto di registro
8	RZR-P805/15/10527	perno	52	RZR-P801/15/10085	supporto
9	RZR-2/B/10	vite	53	RZR-36/G/25	vite
10	RZR-015/60/174	perno	54	RZR-135/80/5284	piastra destra
11	RZR-16/G/8	vite	55	RZR-801/15/10203	canotto per molla
12	RZR-135/80/5283	piastra sinistra	56	RZR-2/D/20	vite
13	RZR-015/60/264	cavallotto	57	RZR-801/15/10058	canotto
14	RZR-36/F/25	vite	58	RZR-805/15/10519	perno centrale
15	RZR-G015/80/382	comando arresto aut. post.	59	RZR-2/C/15	vite
16	RZR-G015/80/413	comando arresto aut. ant.	60	RZR-62/D/6	rondella
17	RZR-36/G/30	vite	61	RZR-801/15/10211	supporto centrale
18	RZR-62/F/8	rondella	62	RZR-801/15/10053	guarnizione
19	RZR-015/80/4580	supporto per leva	63	RZR-801/15/10059	molla
20	RZR-2/D/16	vite	64	RZR-63/G/32	spina
21	RZR-805/15/10526	vite di centratura	65	RZR-3/C/8	vite
22	RZR-62/H/12	rondella	66	RZR-41/B/7	vite
23	RZR-801/15/10080	leva	67	RZR-P015/60/171	blocco passette fin, 15
24	RZR-015/80/394	piastrina	67	RZR-P014/60/427	blocco passette fin, 14
25	RZR-26/F/10	vite	67	RZR-P012/60/457	blocco passette fin, 12
26	RZR-1/D/5	vite	67	RZR-P805/20/10546	blocco passette fin, 20
27	RZR-P805/15/10530	blocchetto	68	RZR-805/15/10514	parte destra barra pass, fin, 15/14
28	RZR-51/M/12	dado	68	RZR-805/12/10516	parte destra barra pass, fin, 12
29	RZR-51/H/8	dado	68	RZR-805/20/10550	parte destra barra pass, fin, 20
30	RZR-082/150/2229	rondella	69	RZR-805/15/10518	perno destro
31	RZR-805/15/10517	perno sinistro	70	RZR-801/15/10055	camme
32	RZR-3/D/8	vite	71	RZR-4/Y/12	cuscinetto
33	RZR-805/15/10513	parte sin, barra pass, fin, 15-14	72	RZR-801/15/10061	perno
33	RZR-805/12/10515	parte sin, barra pass, fin, 12	73	RZR-801/15/10057	pistone
33	RZR-805/20/10549	parte sin, barra pass, fin, 20	74	RZR-801/15/10065	leva
34	RZR-27/L/40	vite	75	RZR-P135/80/5276	supporto destro
35	RZR-P801/15/10074	supporto sinistro	76	RZR-805/15/10533	ingrassatore
36	RZR-801/15/10062	testa di biella			
37	RZR-015/60/7717	dado			
38	RZR-62/G/10	rondella			
39	RZR-015/80/361	vite divisione fili fin, 15-14			

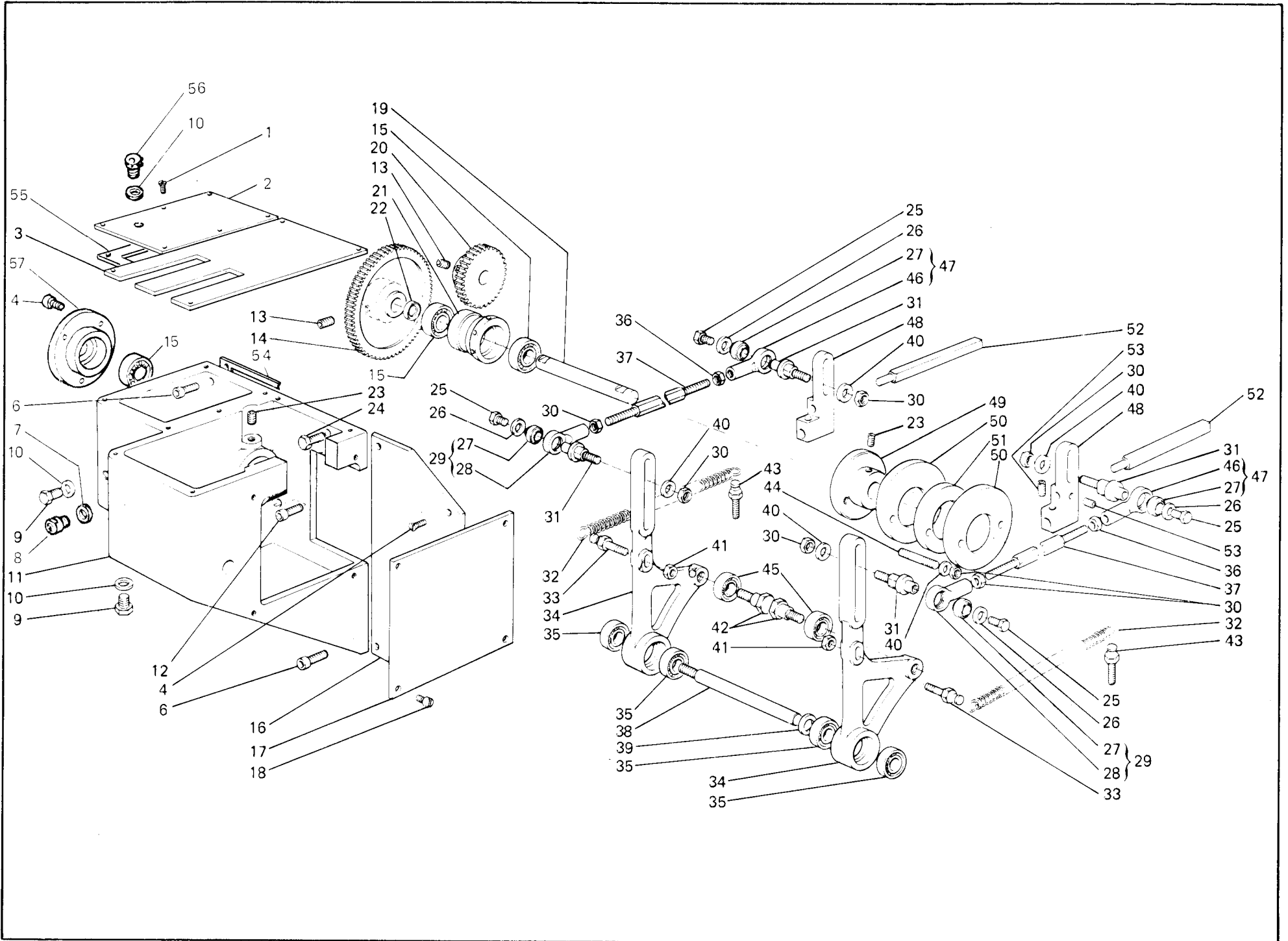


Fig. N. Abb. N.	Part. N. Bestell N. Piece N. Pieza N.	DESCRIZIONE	Fig. N. Abb. N.	Part. N. Bestell N. Piece N. Pieza N.	DESCRIZIONE
—	RZR-TR	gruppo tramatore doppia camma da 7÷18 aghi			
1	RZR-41/B/7	vite	47	RZR-P015/60/7714	testa di biella filetto sinistro completa
2	RZR-135/80/7771	carter lato trasmissione	48	RZR-015/60/7719	supporto
3	RZR-135/80/7772	carter lato leva	49	RZR-135/80/7779	mozzo
4	RZR-26/F/10	vite	50	RZR-125/80/7796	camme barre da 7 a 10 aghi
6	RZR-2/D/25	vite	50	RZR-125/80/7792	camme barre da 11 a 14 aghi
7	RZR-58/F/16	rondella speciale	50	RZR-125/80/7793	camme barre da 15 a 18 aghi
8	RZR-082/150/2020	livello olio	51	RZR-015/60/7708	anello distanziale
9	RZR-015/60/139	tappo scarico	52	RZR-015/60/7722	pernetto
10	RZR-125/80/4913	rondella	53	RZR-3/D/6	vite
11	RZR-801/15/10090	supporto tramatore	54	RZR-801/15/10102	guarnizione
12	RZR-36/G/20	vite	55	RZR-801/15/10204	guarnizione
13	RZR-3/E/10	vite	56	RZR-015/60/138	tappo
14	RZR-135/80/7776	ingranaggio	57	RZR-015/80/4528	copricuscinetto
15	RZR-4/H/20	cuscinetto			SOLO A RICHIESTA
16	RZR-135/80/7774	coperchio anteriore	50	RZR-125/80/7794	camme barre da 19 a 22 aghi
17	RZR-801/15/10099	carter lato camme	50	RZR-125/80/7795	camme barre da 23 a 30 aghi
18	RZR-1/G/10	vite			
19	RZR-801/15/10092	albero			
20	RZR-015/60/7703	ingranaggio conduttore			
21	RZR-135/80/7777	eccentrico porta cuscinetti			
22	RZR-17/Z/51	anello di tenuta			
23	RZR-3/E/15	vite			
24	RZR-36/G/25	vite			
25	RZR-36/E/10	vite			
26	RZR-14/B/5	rondella			
27	RZR-015/60/165	boccola oscillante			
28	RZR-015/60/7714	testa di biella filetto destro			
29	RZR-P015/60/7715	testa di biella filetto destro completa			
30	RZR-51/H/8	dado			
31	RZR-015/60/169	pernetto			
32	RZR-015/60/7707	molla			
33	RZR-015/60/7727	pernetto			
34	RZR-015/60/7710	leva			
35	RZR-4/F/15	cuscinetto			
36	RZR-015/60/7717	dado filetto sinistro			
37	RZR-015/60/7718	braccio di biella			
38	RZR-135/80/7780	perno			
39	RZR-015/60/7711	anello distanziale			
40	RZR-62/F/8	rondella			
41	RZR-51/G/6	dado			
42	RZR-40/P/8	perno			
43	RZR-135/80/7781	pernetto			
44	RZR-015/60/7782	prigioniero			
45	RZR-4/T/12	cuscinetto			
46	RZR-015/60/7715	testa di biella filetto sinistro			

RULLI - TIRAGGIO

TAV. 11

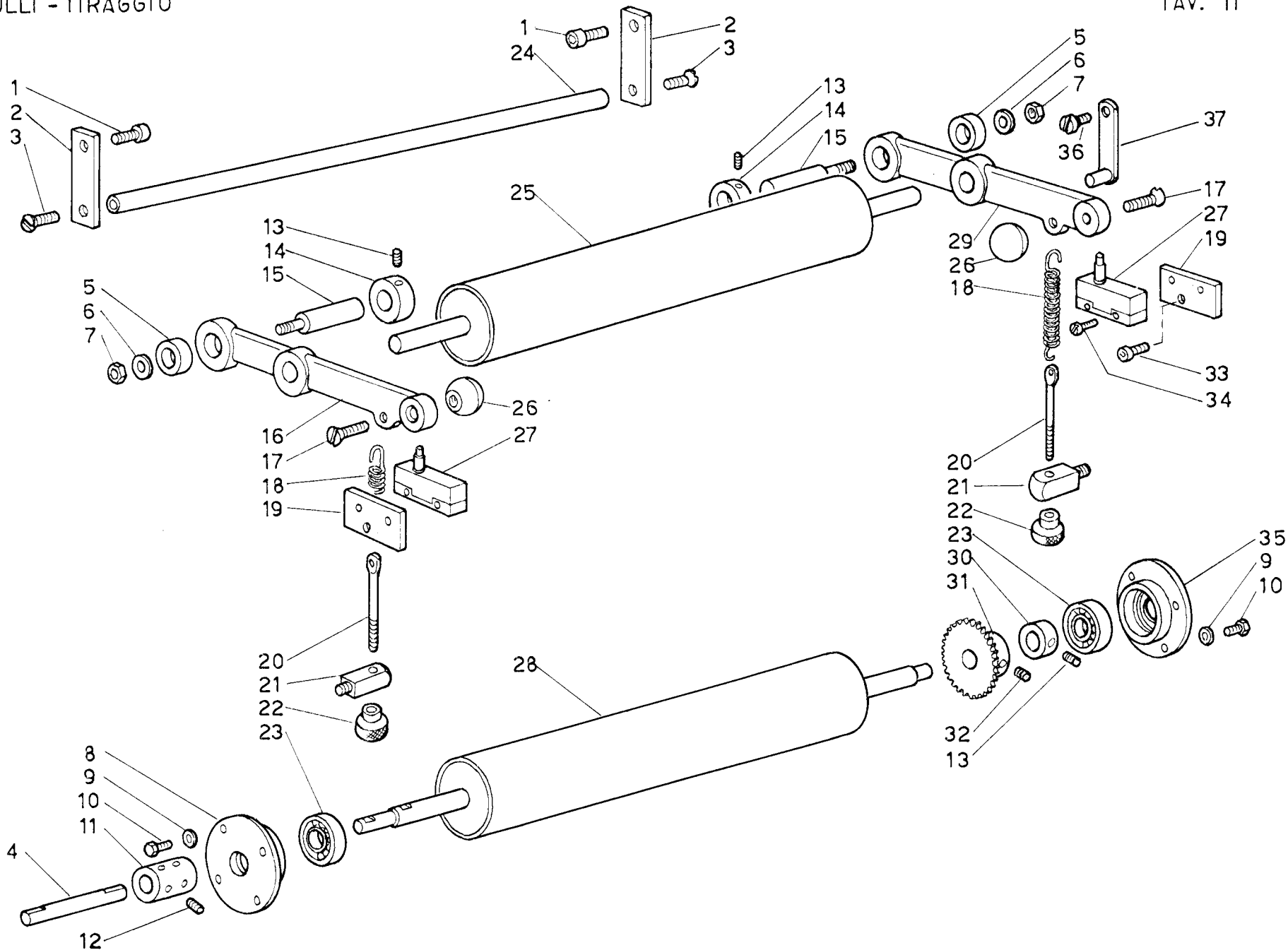


Fig. N. Abb. N.	Part. N. Bestell N. Piece N. Pieza N.	DESCRIZIONE	Fig. N. Abb. N.	Part. N. Bestell N. Piece N. Pieza N.	DESCRIZIONE
1	RZR-2/D/16	vite			
2	RZR-135/80/5340	piastrina			
3	RZR-26/H/15	vite			
4	RZR-801/15/10139	albero			
5	RZR-015/60/243	distanziale			
6	RZR-62/F/8	rondella			
7	RZR-51/H/8	dado			
8	RZR-135/80/5330	copri cuscinetto			
9	RZR-62/D/6	rondella			
10	RZR-36/F/15	vite			
11	RZR-801/15/10140	giunto			
12	RZR-3/D/8	vite			
13	RZR-1/G/6	vite			
14	RZR-015/60/245	anello			
15	RZR-135/80/5334	perno			
16	RZR-P015/60/067	leva sinistra			
17	RZR-26/L/25	vite			
18	RZR-015/60/230	molla			
19	RZR-015/60/8689	piastrina			
20	RZR-015/60/248	tenditore			
21	RZR-135/80/5335	sostegno			
22	RZR-015/60/247	pomello			
23	RZR-4/F/15	cuscinetto			
24	RZR-135/80/5339	asta rinvio tessuto			
25	RZR-P015/80/398	ruolo superiore			
26	RZR-015/60/249	pomolo			
27	RZR-015/60/8688	microcontatto			
28	RZR-135/80/5332	ruolo inferiore			
29	RZR-P015/60/241	leva destra			
30	RZR-015/60/245	anello			
31	RZR-015/60/7829	ingranaggio conduttore			
32	RZR-3/D/10	vite			
33	RZR-2/B/10	vite			
34	RZR-1/E/25	vite			
35	RZR-135/80/5330	copri cuscinetto			
36	RZR-13/B/10	vite			
37	RZR-P015/60/244	levetta			

Fig. N. Abb. N.	Part. N. Bestell N. Piece N. Pieza N.	DESCRIZIONE	Fig. N. Abb. N.	Part. N. Bestell N. Piece N. Pieza N.	DESCRIZIONE
1	RZR-015/60/139	tappo	39	RZR-801/15/10132	bussola
2	RZR-125/80/4913	rondella	40	RZR-G135/60/846	giunto per catena
3	RZR-801/15/10105	scatola riduttore	41	RZR-2/C/10	vite
4	RZR-801/15/10131	guarnizione	42	RZR-801/15/10117	ingranaggio
5	RZR-62/F/8	rondella	43	RZR-801/15/10133	ruota libera
6	RZR-36/G/25	vite	44	RZR-7/G/20	anello seeger
7	RZR-4/F/15	cuscinetto	45	RZR-P801/15/10125	supporto
8	RZR-801/15/10107	copri cuscinetto	46	RZR-P801/15/10115	ingranaggio
9	RZR-62/D/6	rondella	47	RZR-P801/15/10127	carter
10	RZR-36/F/15	vite	48	RZR-2/B/20	vite
11	RZR-801/15/10110	albero	49	RZR-801/15/10138	copri cuscinetto
12	RZR-801/15/10129	guarnizione	50	RZR-51/L/10	dado
13	RZR-801/15/10109	ruota elicoidale	51	RZR-801/15/10121	catena
14	RZR-3/E/10	vite	52	RZR-801/15/10122	catena
15	RZR-3/D/8	vite			
16	RZR-801/15/10106	vite per riduttore			
17	RZR-P801/15/10128	piattina			
18	RZR-26/H/10	vite			
19	RZR-12/C/15	anello di tenuta			
20	RZR-801/15/10108	copri cuscinetto			
21	RZR-2/B/10	vite			
22	RZR-P801/15/10112	ingranaggio			
23	RZR-110/310/6451	corona Z 18			
23	RZR-110/310/6464	corona Z 19			
23	RZR-110/310/6452	corona Z 20			
23	RZR-110/310/6465	corona Z 21			
23	RZR-110/310/6453	corona Z 22			
23	RZR-110/310/6466	corona Z 23			
23	RZR-110/310/6454	corona Z 24			
23	RZR-110/310/6467	corona Z 25			
23	RZR-110/310/6455	corona Z 26			
23	RZR-110/310/6458	corona Z 27			
23	RZR-110/310/6456	corona Z 28			
23	RZR-110/310/6459	corona Z 29			
24	RZR-60/F/8	rondella			
25	RZR-805/15/10566	ingrassatore			
26	RZR-135/80/5156	ingranaggio tendicatena			
27	RZR-4/D/10	cuscinetto			
28	RZR-60/E/6	rondella			
29	RZR-36/F/10	vite			
30	RZR-801/15/10151	catena			
31	RZR-801/15/10111	ingranaggio			
32	RZR-3/D/10	vite			
33	RZR-36/H/40	vite			
34	RZR-62/G/10	rondella			
35	RZR-801/15/10120	perno			
36	RZR-801/15/10124	catena			
37	RZR-801/15/10123	perno			
38	RZR-801/15/10126	distanziale			

TRASMISSIONE - ALIMENTATORE

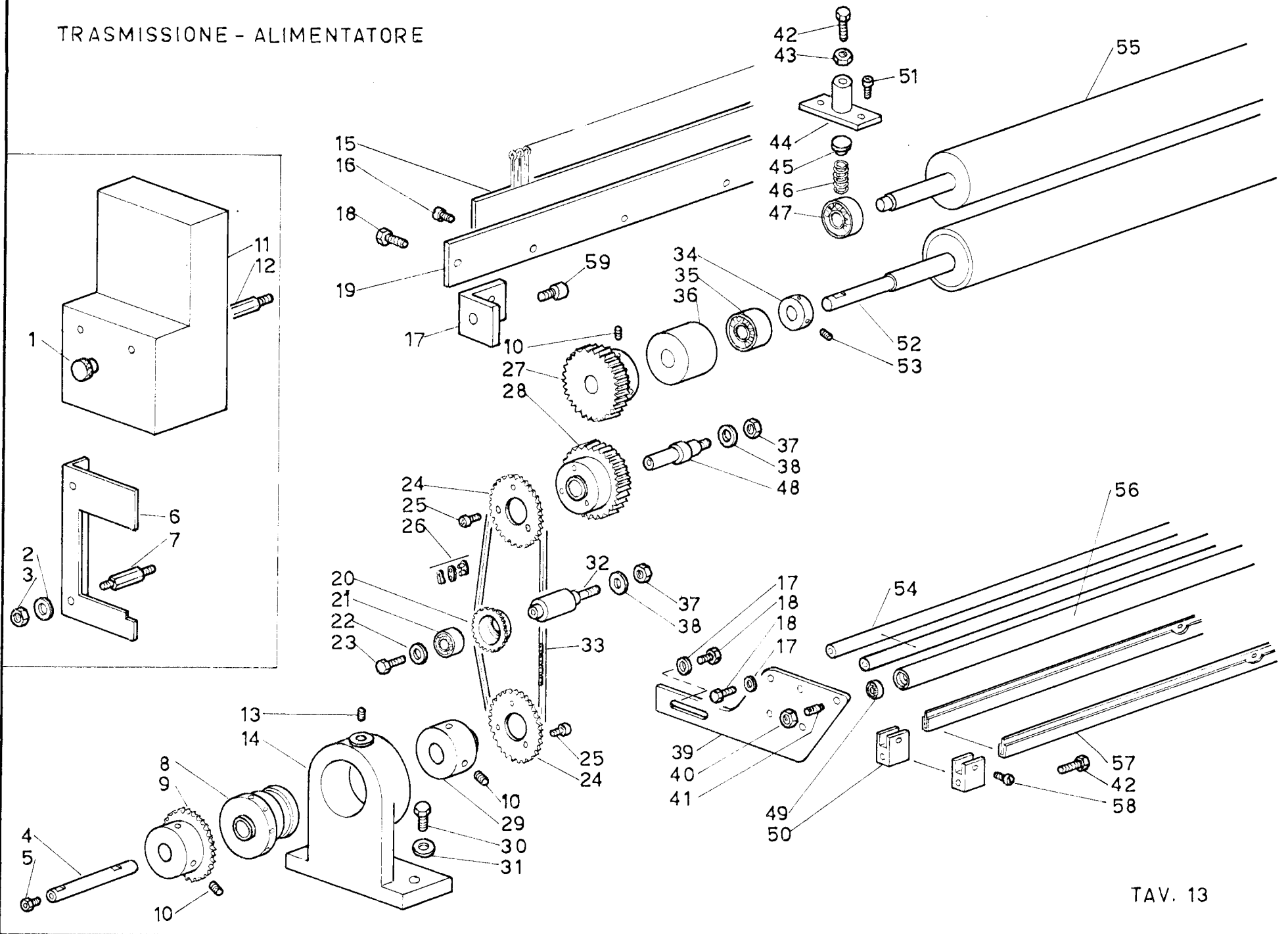


Fig. N. Abb. N.	Part. N. Bestell N. Piece N. Pieza N.	DESCRIZIONE	Fig. N. Abb. N.	Part. N. Bestell N. Piece N. Pieza N.	DESCRIZIONE
1	RZR-015/60/247	pomello	37	RZR-51/L/10	dado
2	RZR-62/C/5	rondella	38	RZR-62/G/10	rondella
3	RZR-51/F/5	dado	39	RZR-801/15/10182	piattina
4	RZR-801/15/10156	perno	40	RZR-51/H/8	dado
5	RZR-805/15/10566	ingrassatore	41	RZR-015/80/8044	vite
6	RZR-801/15/10169	carter	42	RZR-36/F/22	vite
7	RZR-801/15/10177	tirante	43	RZR-51/G/6	dado
8	RZR-P801/15/10152	bussola eccentrica	44	RZR-801/15/10168	blocchetti
9	RZR-801/15/10150	ingranaggio	45	RZR-015/60/8116	tappo per molla
10	RZR-3/D/10	vite	46	RZR-015/60/8133	molla
11	RZR-801/15/10170	carter	47	RZR-4/E/12	cuscinetto
12	RZR-801/15/10176	tirante	48	RZR-801/15/10160	perno
13	RZR-3/E/10	vite	49	RZR-4/S/5	cuscinetto
14	RZR-801/15/10154	supporto	50	RZR-015/60/264	cavallotto
15	RZR-015/80/395	pettine fin. 15	51	RZR-2/C/15	vite
15	RZR-014/80/411	pettine fin. 14	52	RZR-P801/15/10163	rullo inferiore
15	RZR-012/80/490	pettine fin. 12	53	RZR-3/C/6	vite
15	RZR-805/20/10539	pettine fin. 20	54	RZR-801/15/10183	asta
16	RZR-1/G/10	vite	55	RZR-P801/15/10166	rullo superiore
17	RZR-805/15/10565	squadretta	56	RZR-801/15/10184	asta ruotante
18	RZR-36/F/10	vite	57	RZR-G801/15/10185	comando arresto automatico
19	RZR-801/15/10175	asta	58	RZR-1/E/5	vite
20	RZR-135/80/5156	tendicatena	59	RZR-36/G/20	vite
21	RZR-4/D/10	cuscinetto			
22	RZR-60/E/6	rondella			
23	RZR-36/F/10	vite			
24	RZR-110/310/6450	ingranaggio Z-16			
24	RZR-110/310/6451	ingranaggio Z-18			
24	RZR-110/310/6452	ingranaggio Z-20			
24	RZR-110/310/6453	ingranaggio Z-22			
24	RZR-110/310/6454	ingranaggio Z-24			
24	RZR-110/310/6455	ingranaggio Z-26			
24	RZR-110/310/6456	ingranaggio Z-28			
24	RZR-110/310/6457	ingranaggio Z-30			
25	RZR-2/B/10	vite			
26	RZR-G035/60/846	giunto per catena			
27	RZR-801/15/10165	ingranaggio			
28	RZR-P801/15/10157	ingranaggio			
29	RZR-801/15/10155	bussola			
30	RZR-36/G/25	vite			
31	RZR-62/F/8	rondella			
32	RZR-801/15/10161	perno			
33	RZR-801/15/10162	catena			
34	RZR-015/60/245	anello			
35	RZR-4/F/15	cuscinetto			
36	RZR-801/15/10164	bussola			

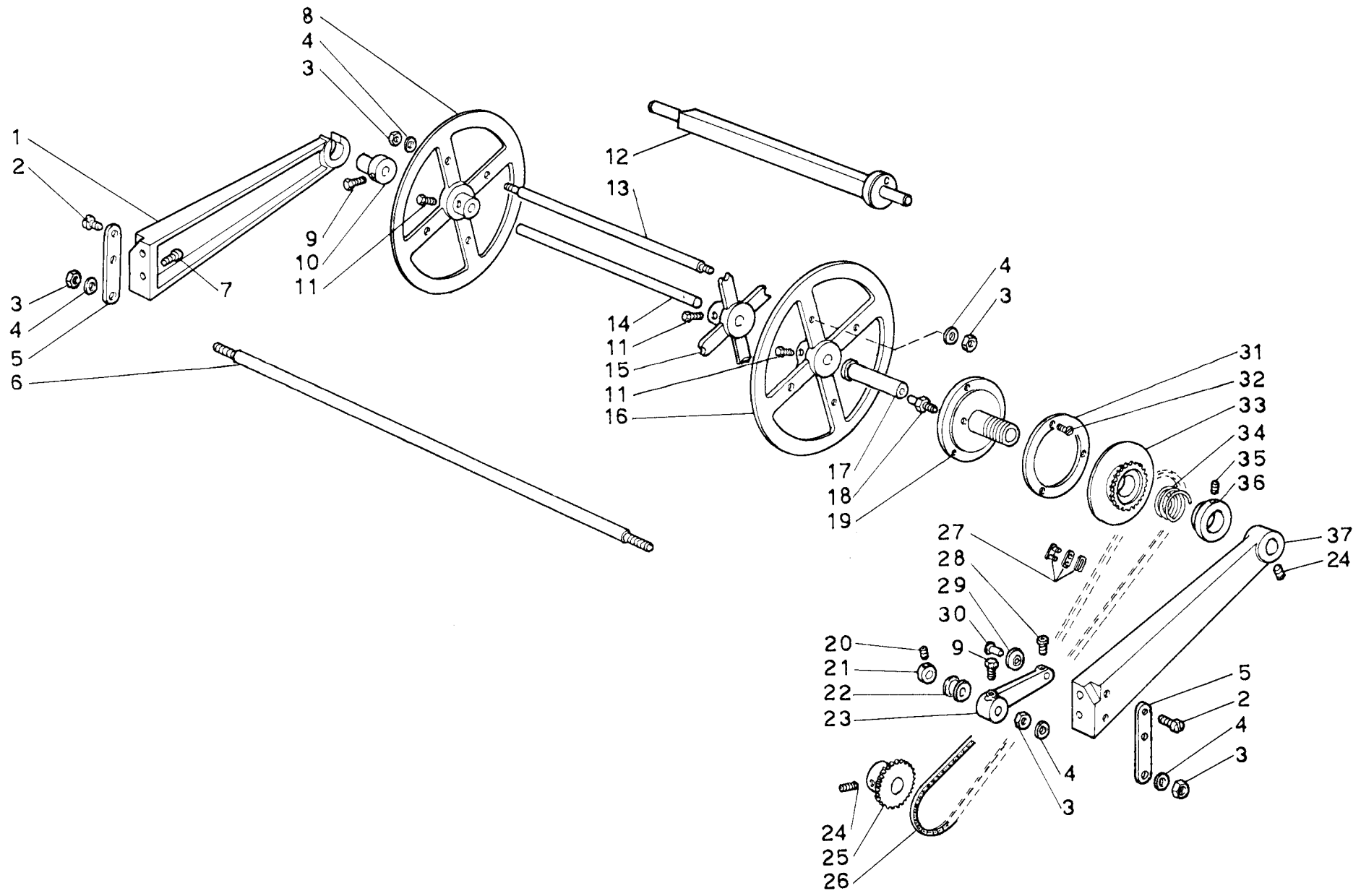


Fig. N. Abb. N.	Part. N. Bestell N. Piece N. Pieza N.	DESCRIZIONE	Fig. N. Abb. N.	Part. N. Bestell N. Piece N. Pieza N.	DESCRIZIONE
—	RZR-G015/80/374	aspo racc. compl. (esclusa fig. 12)			
1	RZR-015/60/234	supporto sinistro			
2	RZR-1/G/10	vite			
3	RZR-51/H/8	dado			
4	RZR-62/F/8	rondella			
5	RZR-015/60/210	piastrina			
6	RZR-015/80/370	asta			
7	RZR-2/D/20	vite			
8	RZR-015/60/279	flangia sinistra			
9	RZR-36/G/20	vite			
10	RZR-015/60/212	bussola			
11	RZR-36/F/10	vite			
12	RZR-P015/80/391	asta (solo a richiesta)			
13	RZR-015/80/373	asta			
14	RZR-015/80/374	asta centrale			
15	RZR-015/60/278	flangia centrale			
16	RZR-015/60/280	flangia destra			
17	RZR-G015/60/217	perno frizione			
18	RZR-015/60/223	perno trascinatore			
19	RZR-015/60/302	flangia frizione			
20	RZR-16/G/6	vite			
21	RZR-015/60/211	anello			
22	RZR-015/60/214	galoppino			
23	RZR-125/80/5350	supporto			
24	RZR-3/D/10	vite			
25	RZR-015/60/7829	ingranaggio conduttore			
26	RZR-125/80/5351	catena			
27	RZR-G035/60/846	giunzione catena			
28	RZR-2/B/10	vite			
29	RZR-015/60/9507	rullino tendicatena			
30	RZR-015/60/9518	pernetto			
31	RZR-015/60/304	anello frizione			
32	RZR-26/F/10	vite			
33	RZR-P082/150/2379	ingranaggio			
34	RZR-015/60/277	molla			
35	RZR-16/G/10	vite			
36	RZR-015/60/222	anello regolazione frizione			
37	RZR-015/60/235	supporto destro			

CASTELLO

TAV. 15

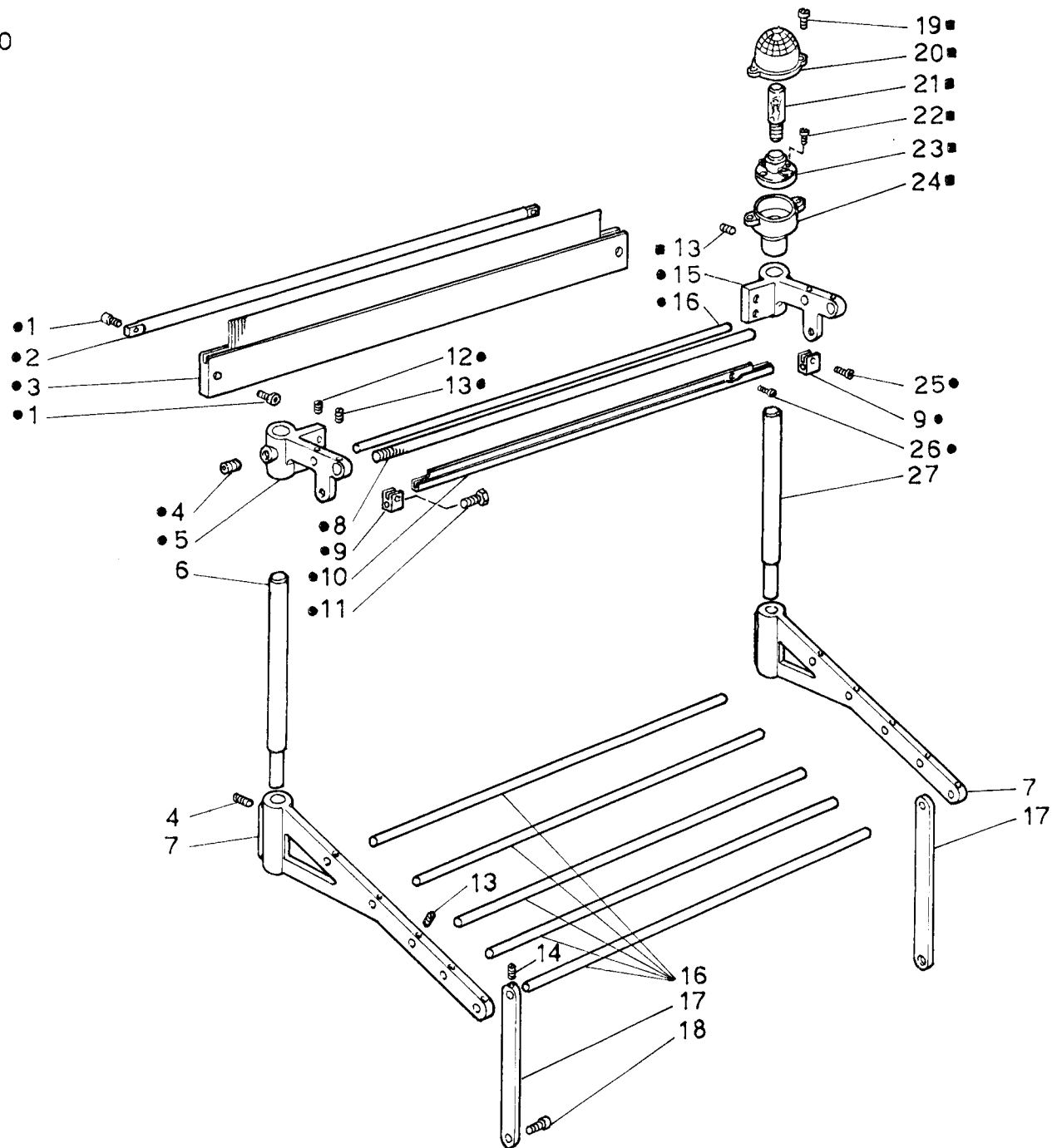


Fig. N. Abb. N.	Part. N. Bestell N. Piece N. Pieza N.	DESCRIZIONE	Fig. N. Abb. N.	Part. N. Bestell N. Piece N. Pieza N.	DESCRIZIONE
■	RZR-G135/80/5480	lampada spia completa			
●	RZR-G135/80/5384	pett. per trama compl. fin. 15			
●	RZR-G134/80/5385	pett. per trama compl. fin. 14			
●	RZR-G132/80/5386	pett. per trama compl. fin. 12			
●	RZR-G805/20/10538	pett. per trama compl. fin. 20			
1	RZR-2/B/12	vite			
2	RZR-135/80/5377	asta rinvio fili			
3	RZR-015/80/395	pettine aperto fin. 15			
3	RZR-014/80/411	pettine aperto fin. 14			
3	RZR-012/80/490	pettine aperto fin. 12			
3	RZR-805/20/10539	pettine aperto fin. 20			
4	RZR-3/D/10	vite			
5	RZR-135/80/5374	supporto sinistro			
6	RZR-801/15/10181	piantana sinistra			
7	RZR-135/80/5376	supporto per aste			
8	RZR-135/80/5378	vite divis. fili fin. 15/14			
8	RZR-132/80/5383	vite divis. fili fin. 12			
8	RZR-805/20/10551	vite divis. fili fin. 20			
9	RZR-015/60/264	cavallotto			
10	RZR-G135/80/5381	comando per arresto			
11	RZR-36/F/25	vite			
12	RZR-16/G/8	vite			
13	RZR-16/G/6	vite			
14	RZR-16/F/6	vite			
15	RZR-135/80/5375	supporto destro			
16	RZR-015/80/380	aste per pett. sup. e divis. fili			
17	RZR-135/80/5388	asta di rinforzo			
18	RZR-2/C/25	vite			
19	RZR-1/E/10	vite			
20	RZR-135/80/5482	calotta			
21	RZR-015/60/8681	lampada			
22	RZR-1/C/10	vite			
23	RZR-135/80/5481	porta lampada			
24	RZR-135/80/5480	corpo porta lampada			
25	RZR-1/E/5	vite			
26	RZR-1/D/5	vite			
27	RZR-801/15/10180	piantana destra			

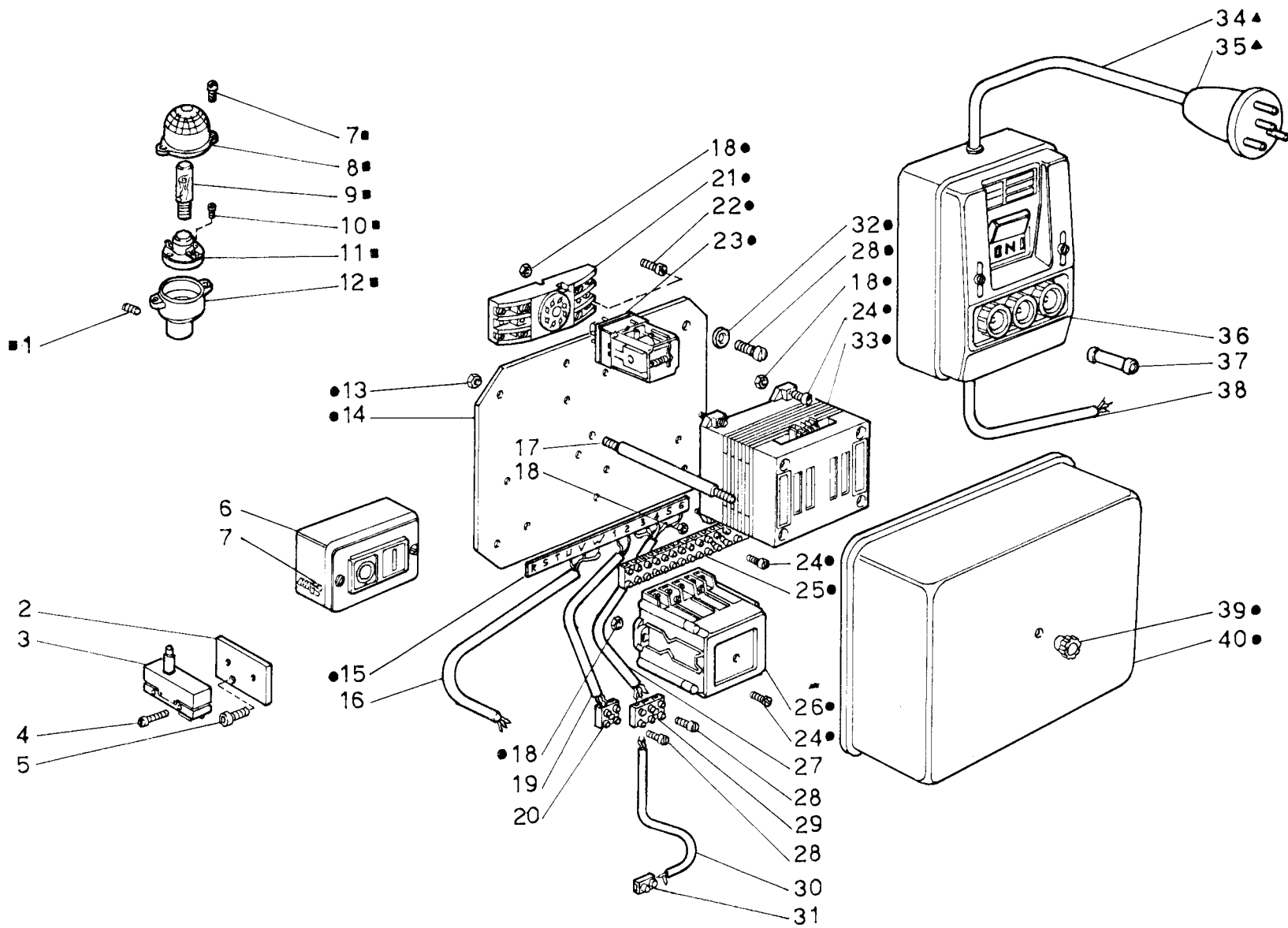
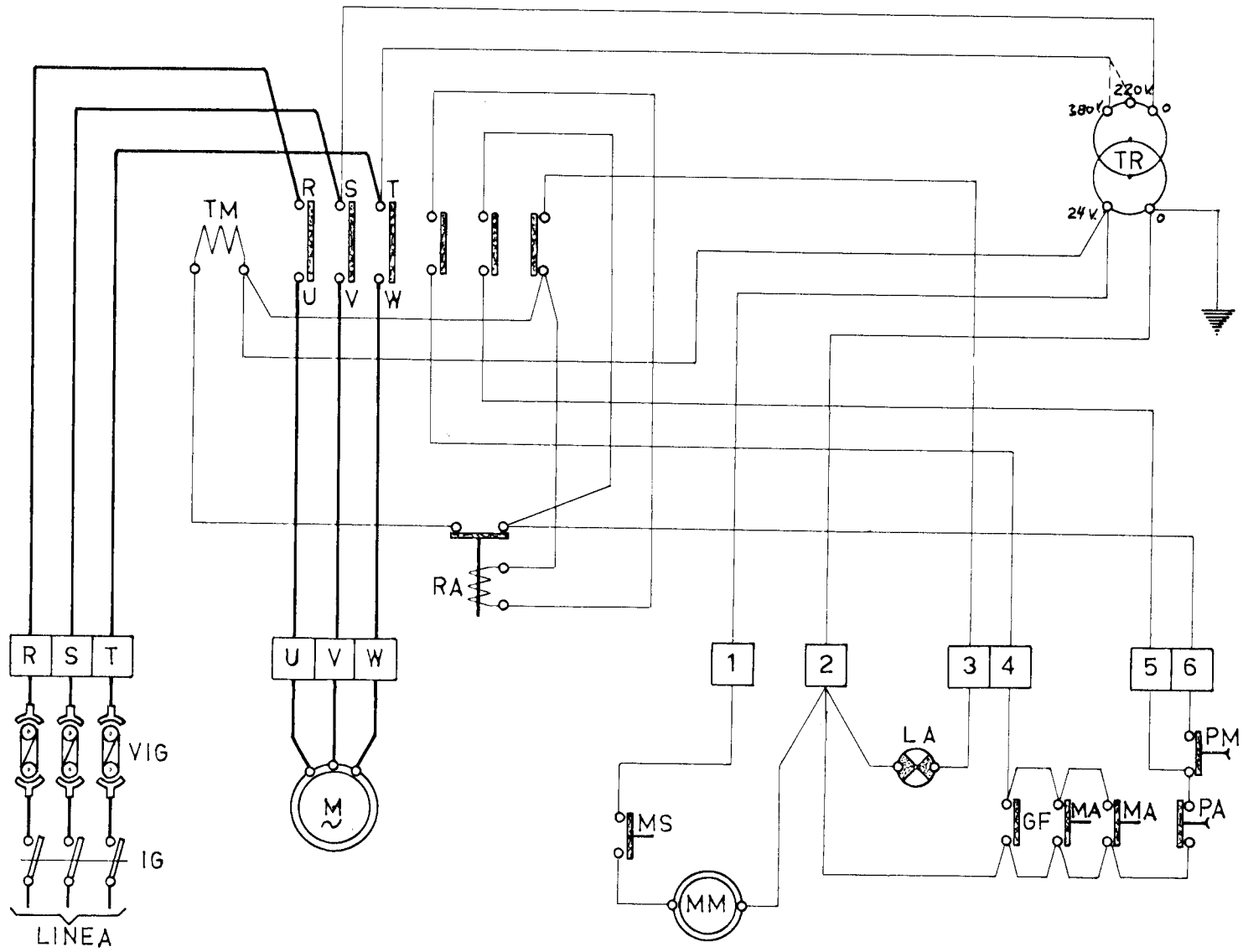


Fig. N. Abb. N.	Part. N. Bestell N. Piece N. Pieza N.	DESCRIZIONE	Fig. N. Abb. N.	Part. N. Bestell N. Piece N. Pieza N.	DESCRIZIONE
●	RZR-G015/80/4770	scatola elettrica completa			
■	RZR-G135/80/5480	lampada spia completa			
▲	RZR-G015/60/145	cavo completo di spina			
1	RZR-16/G/6	vite			
2	RZR-015/60/8689	piastrina			
3	RZR-015/60/8688	microcontatto			
4	RZR-1/E/25	vite			
5	RZR-2/B/15	vite			
6	RZR-015/60/158	pulsante marcia-arresto			
7	RZR-1/E/10	vite			
8	RZR-135/80/5482	calotta			
9	RZR-015/60/8681	lampada spia			
10	RZR-1/C/10	vite			
11	RZR-135/80/5481	porta lampada			
12	RZR-135/80/5480	corpo porta lampada			
13	RZR-51/F/5	dado			
14	RZR-P015/80/4770	piastra scatola elettrica			
15	RZR-015/60/240	piastrina basetta			
16	RZR-135/80/5478	cavo elettrico coll. motore			
17	RZR-015/80/4771	perno fissaggio coperchio			
18	RZR-51/B/3	dado			
19	RZR-135/80/5473	cavo elettrico coll. sollevat.			
20	RZR-135/80/5472	morsetto			
21	RZR-015/80/4773	zoccolo relé			
22	RZR-1/C/20	vite			
23	RZR-015/60/182	relé			
24	RZR-1/C/15	vite			
25	RZR-015/60/196	basetta			
26	RZR-015/60/195	teleruttore			
27	RZR-135/80/5479	cavo elettrico coll. pulsante			
28	RZR-1/E/15	vite			
29	RZR-135/80/5483	morsetto			
30	RZR-135/80/5485	cavo elettrico coll. lampada			
31	RZR-135/80/5484	morsetto			
32	RZR-62/A/4	rondella			
33	RZR-015/80/4772	trasformatore			
34	RZR-015/60/145	cavo alimentatore			
35	RZR-015/60/200	spina trifase			
36	RZR-135/80/5474	interruttore generale			
37	RZR-135/80/5475	valvola interruttore			
38	RZR-135/80/5477	cavo elettr. coll. interruttore			
39	RZR-015/60/068	ghiera			
40	RZR-015/60/164	coperchio scatola			



RIF.	DESCRIZIONE
GF	Arresti guardiafilii
IG	Interruttore generale
LA	Lampada spia arresto macchina
M	Motore
MA	Microinterruttori di arresto sui rulli del tiraggio
MM	Motore monofase per sollev. automatico
MS	Microinterruttore per sollev. automatico
PA	Pulsante arresto
PM	Pulsante marcia
RA	Relé arresti
TM	Teleruttore motore
TR	Trasformatore
VIG	Valvole interruttore generale

Fig. N. Abb. N.	Part. N. Bestell N. Piece N. Pieza N.	DESCRIZIONE	Fig. N. Abb. N.	Part. N. Bestell N. Piece N. Pieza N.	DESCRIZIONE
—	RZR-12/MTN/288	cantra completa da 288 posti rocche			
—	RZR-12/MTN/576	cantra completa da 576 posti rocche			
●	RZR-G035/60/8809	pettine rinvio fili completo			
▲	RZR-PEC	gruppo passaggi elastici			
1	RZR-015/60/7405	scatolato superiore e centrale			
2	RZR-015/60/7400	telaio			
3	RZR-015/60/7413	passafilo da 12 fori			
4	RZR-015/60/7402	angolare porta tensioni			
5	RZR-62/D/6	rondella			
6	RZR-51/G/6	dado			
7	RZR-040/100/8851	tirante unione cantre			
8	RZR-015/60/7410	piedino			
9	RZR-015/60/7406	scatolato inferiore			
10	RZR-51/H/8	dado			
11	RZR-62/F/8	rondella			
12	RZR-015/60/7508	sostegno centrale			
13	RZR-015/60/7407	scatolato sostegno centrale			
14	RZR-36/E/30	vite			
15	RZR-015/60/7414	passafilo da 24 fori			
16	RZR-015/60/8166	asta ruotante			
17	RZR-4/S/5	cuscinetto			
18	RZR-015/60/8142	sostegno			
19	RZR-015/80/8044	vite			
20	RZR-62/C/5	rondella			
21	RZR-51/F/5	dado			
22	RZR-035/60/8807	listello			
23	RZR-36/F/40	vite			
24	RZR-36/F/20	vite			
25	RZR-14/G/10	rondella			
26	RZR-035/60/8806	piattello tensione			
27	RZR-015/60/8261	perno tensione			
28	RZR-G015/60/8261	tensione completa			
29	RZR-36/F/50	vite			
30	RZR-P015/60/7509	angolare porta coni			
31	RZR-015/60/7443	asta porta pettine			
32	RZR-020/80/2551	pettine rinvio fili			
33	RZR-1/G/10	vite			

DOTAZIONE

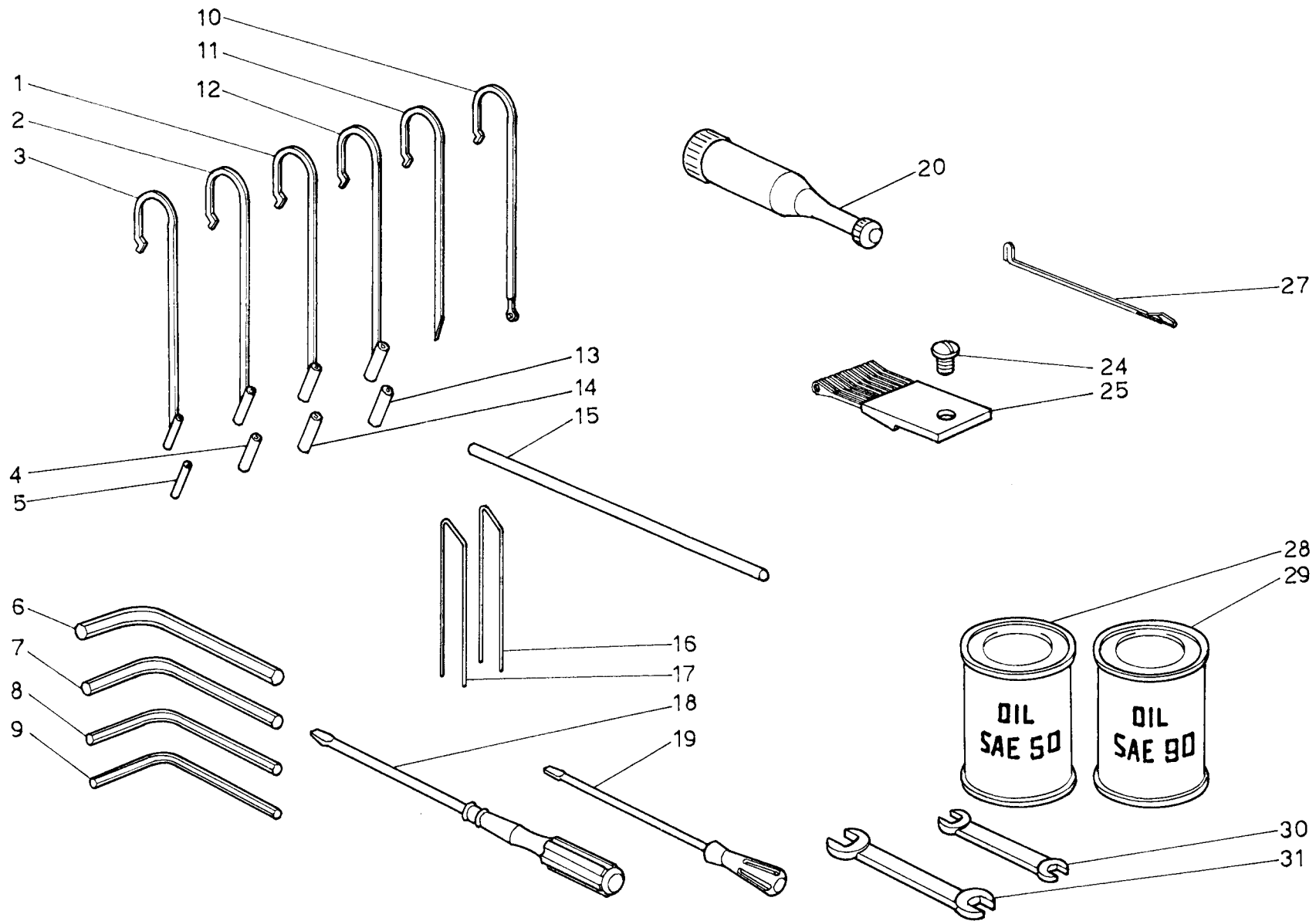
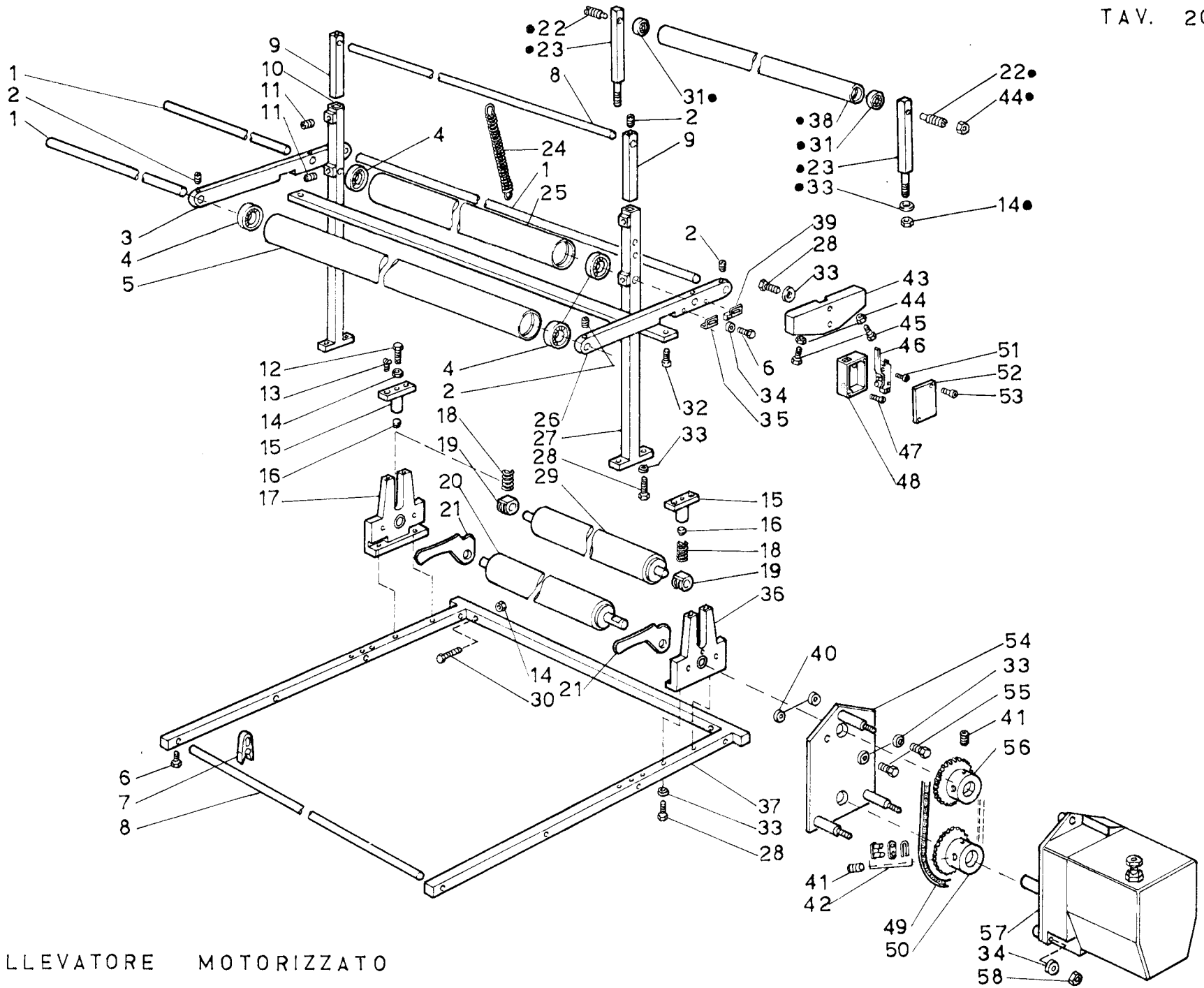


Fig. N. Abb. N.	Part. N. Bestell N. Piece N. Pieza N.	DESCRIZIONE	Fig. N. Abb. N.	Part. N. Bestell N. Piece N. Pieza N.	DESCRIZIONE
1	RZR-P015/60/295	guidafilo completo mm. 1,2			
2	RZR-P015/60/289	guidafilo completo mm. 1			
3	RZR-P015/60/298	guidafilo completo mm. 0,8			
4	RZR-015/60/289	tubetto guidafilo mm. 1			
5	RZR-015/60/298	tubetto guidafilo mm. 0,8			
6	RZR-015/60/573	chiave esagonale da 6			
7	RZR-015/60/572	chiave esagonale da 5			
8	RZR-015/60/571	chiave esagonale da 4			
9	RZR-015/60/570	chiave esagonale da 3			
10	RZR-015/60/286	guidafilo con occhiello			
11	RZR-015/60/288	gambo per tubetto guidafilo			
12	RZR-P015/60/291	guidafilo completo mm. 1,4			
13	RZR-015/60/291	tubetto guidafilo mm. 1,4			
14	RZR-015/60/295	tubetto guidafilo mm. 1,2			
15	RZR-801/15/10200	perno glider catena			
16	RZR-015/60/257	cavaliere pesante			
17	RZR-015/60/258	cavaliere leggero			
18	RZR-015/60/577	cacciavite da 6			
19	RZR-015/60/576	cacciavite da 3			
20	RZR-801/15/10201	pompetta per ingrassatori			
24	RZR-41/B/7	vite			
25	RZR-P015/60/171	blocco passette fin. 15			
25	RZR-P014/60/427	blocco passette fin. 14			
25	RZR-P012/60/457	blocco passette fin. 12			
25	RZR-P805/20/10546	blocco passette fin. 20			
27	RZR-125/80/4832	ago a becco			
28	RZR-015/60/579	lattina olio SAE 50 lt. 1			
29	RZR-015/60/580	lattina olio SAE 90 lt. 1			
30	RZR-015/60/574	chiave fissa 8-10			
31	RZR-015/60/575	chiave fissa 13-17			



SOLLEVATORE MOTORIZZATO

Fig. N. Abb. N.	Part. N. Bestell N. Piese N. Pieza N.	DESCRIZIONE	Fig. N. Abb. N.	Part. N. Bestell N. Piese N. Pieza N.	DESCRIZIONE
—	RZR-SM	gruppo sollevatore elastico (escluso)	48	RZR-015/60/8197	scatola
●	RZR-PEC	gruppo passaggio elastici	49	RZR-801/15/10195	catena
1	RZR-015/60/8188	perno	50	RZR-801/15/10193	ingranaggio
2	RZR-3/D/8	vite	51	RZR-1/C/8	vite
3	RZR-015/60/8168	asta destra	52	RZR-015/60/8198	coperchio
4	RZR-4/F/15	cuscinetto	53	RZR-1/D/5	vite
5	RZR-015/60/8187	rullo lungo	54	RZR-P801/15/10189	piastra porta motore
6	RZR-36/E/10	vite	55	RZR-36/F/15	vite
7	RZR-015/60/8150	molletta divisione elastici	56	RZR-801/15/10194	ingranaggio
8	RZR-015/60/8182	asta	57	RZR-015/60/8172	motore
9	RZR-015/60/8194	perno	58	RZR-51/F/5	dado
10	RZR-P015/60/8190	piantana destra			
11	RZR-3/D/10	vite			
12	RZR-36/F/25	vite			
13	RZR-26/E/10	vite			
14	RZR-51/G/6	dado			
15	RZR-015/60/8154	porta molla			
16	RZR-015/60/8116	tappo			
17	RZR-P015/60/8171	supporto destro			
18	RZR-015/60/8191	molla			
19	RZR-015/60/8001	bronzina			
20	RZR-P015/60/8175	rullo inferiore			
21	RZR-015/60/8127	leva			
22	RZR-015/80/8044	vite			
23	RZR-015/60/8142	sostegno			
24	RZR-020/60/8707	molla			
25	RZR-015/60/8173	rullo corto			
26	RZR-015/60/8169	asta sinistra			
27	RZR-P015/60/8185	piantana sinistra			
28	RZR-36/F/30	vite			
29	RZR-P015/60/8176	rullo superiore			
30	RZR-36/F/50	vite			
31	RZR-4/S/5	cuscinetto			
32	RZR-2/C/14	vite			
33	RZR-62/D/6	rondella			
34	RZR-62/C/5	rondella			
35	RZR-015/60/8192	contrasto sinistro			
36	RZR-P015/60/8170	supporto sinistro			
37	RZR-P015/60/8174	telaio			
38	RZR-015/60/8166	asta			
39	RZR-015/60/8195	contrasto destro			
40	RZR-61/A/6	rondella			
41	RZR-3/C/8	vite			
42	RZR-G801/15/10196	giunto per catena			
43	RZR-015/60/8189	piastrina arresto			
44	RZR-51/H/8	dado			
45	RZR-36/G/20	vite			
46	RZR-015/60/8196	microinterruttore			
47	RZR-26/E/8	vite			

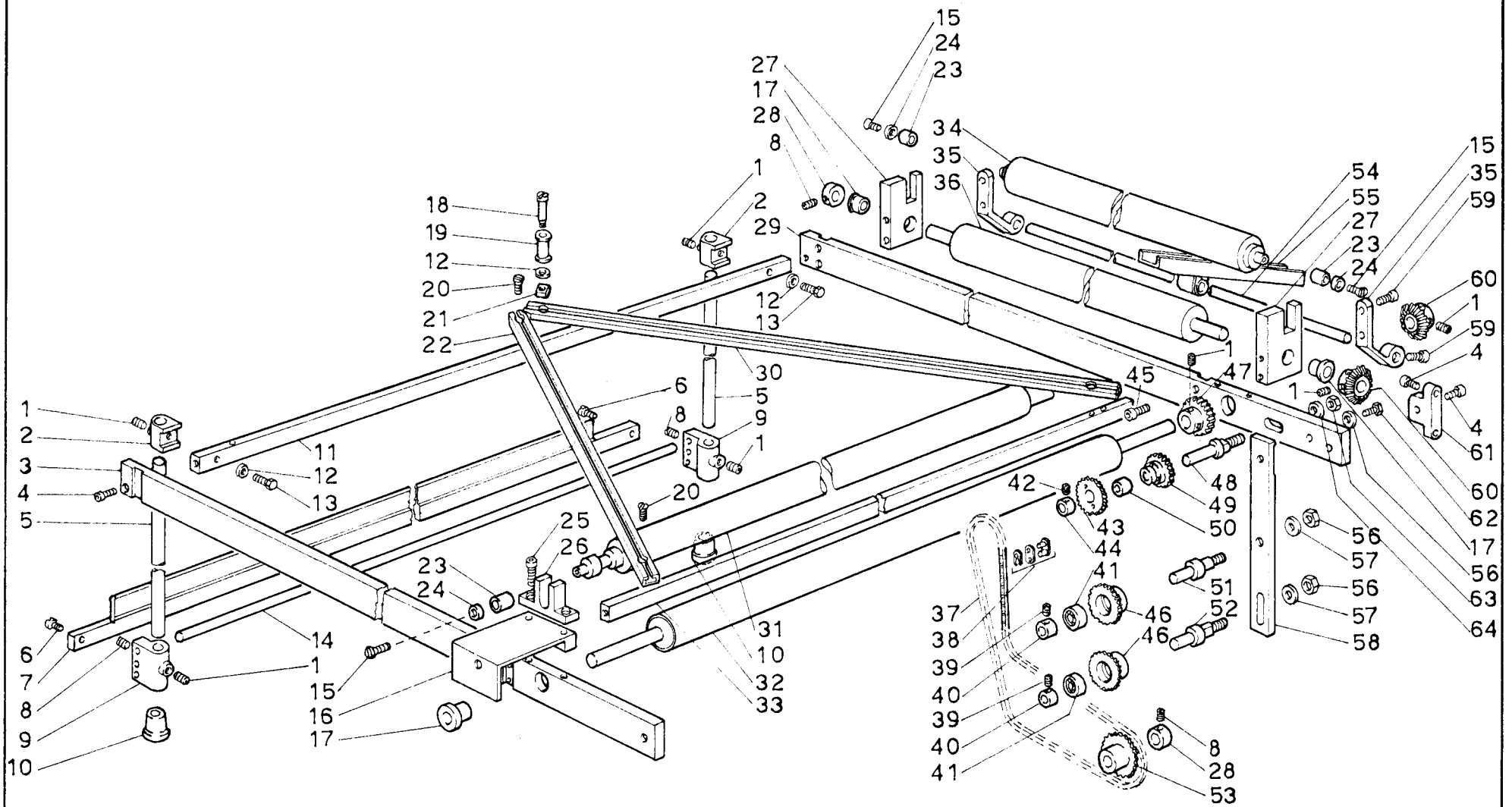


Fig. N. Abb. N.	Part. N. Bestell N. Piece N. Pieza N.	DESCRIZIONE	Fig. N. Abb. N.	Part. N. Bestell N. Piece N. Pieza N.	DESCRIZIONE
—	RZR-REF	raccoglitore elastico finito fin. 15	44	RZR-015/60/010	anello
—	RZR-REF	raccoglitore elastico finito fin. 14	45	RZR-2/C/16	vite
—	RZR-REF	raccoglitore elastico finito fin. 12	46	RZR-135/80/5156	ingranaggio
1	RZR-3/D/8	vite	47	RZR-015/60/7820	ingranaggio condotto
2	RZR-015/60/8069	supporto	48	RZR-015/60/7846	perno
3	RZR-135/80/7310	supporto sinistro	49	RZR-135/80/7328	ingranaggio conduttore
4	RZR-2/D/16	vite	50	RZR-015/60/7845	bronzina
5	RZR-135/80/7320	aste registrabili	51	RZR-135/80/7302	perno galoppino superiore
6	RZR-1/H/10	vite	52	RZR-135/80/7303	perno galoppino inferiore
7	RZR-015/80/395	pettine anteriore e posteriore fin. 15	53	RZR-015/60/7829	ingranaggio conduttore
7	RZR-014/80/411	pettine anteriore e posteriore fin. 14	54	RZR-015/80/7905	asta
7	RZR-012/80/490	pettine anteriore e posteriore fin. 12	55	RZR-P015/60/7816	canalino guida elastico
8	RZR-16/G/6	vite	56	RZR-51/H/8	dado
9	RZR-135/80/7321	supporto	57	RZR-62/F/8	rondella
10	RZR-135/80/7327	piedino	58	RZR-135/80/7301	supporto
11	RZR-135/80/7312	asta collegamento estremità	59	RZR-2/B/10	vite
12	RZR-62/D/6	rondella	60	RZR-015/60/7835	ingranaggio conico
13	RZR-36/F/25	vite	61	RZR-135/80/7308	supporto
14	RZR-015/80/364	asta rinvio fili	62	RZR-36/G/20	vite
15	RZR-26/E/8	vite	63	RZR-51/L/10	dado
16	RZR-P135/80/7307	protezione	64	RZR-62/G/10	rondella
17	RZR-015/60/8013	bronzina			
18	RZR-015/60/7811	perno			
19	RZR-015/60/7810	rullino			
20	RZR-26/H/8	vite			
21	RZR-015/60/7817	piastrina			
22	RZR-015/80/7919	guida sinistra			
23	RZR-015/60/7834	boccola antivibrante			
24	RZR-60/R/4	rondella			
25	RZR-2/B/30	vite			
26	RZR-015/60/7807	supporto guida			
27	RZR-135/80/7315	guida rulli laterali			
28	RZR-015/60/245	anello			
29	RZR-135/80/7309	supporto destro			
30	RZR-015/80/7917	guida destra			
31	RZR-015/80/7909	rullo superiore centrale			
32	RZR-P135/80/7305	rullo inferiore centrale			
33	RZR-135/80/7311	asta collegamento centrale			
34	RZR-015/80/7914	rullo superiore laterale			
35	RZR-015/60/7813	supporto			
36	RZR-P135/80/7317	rullo inferiore laterale			
37	RZR-135/80/7300	catena trasmissione			
38	RZR-G035/60/846	giunzione catena			
39	RZR-16/F/5	vite			
40	RZR-015/60/191	anello			
41	RZR-4/D/10	cuscinetto			
42	RZR-16/F/4	vite			
43	RZR-135/80/7329	ingranaggio condotto Z 18			
43	RZR-135/80/7330	ingranaggio condotto Z 15			

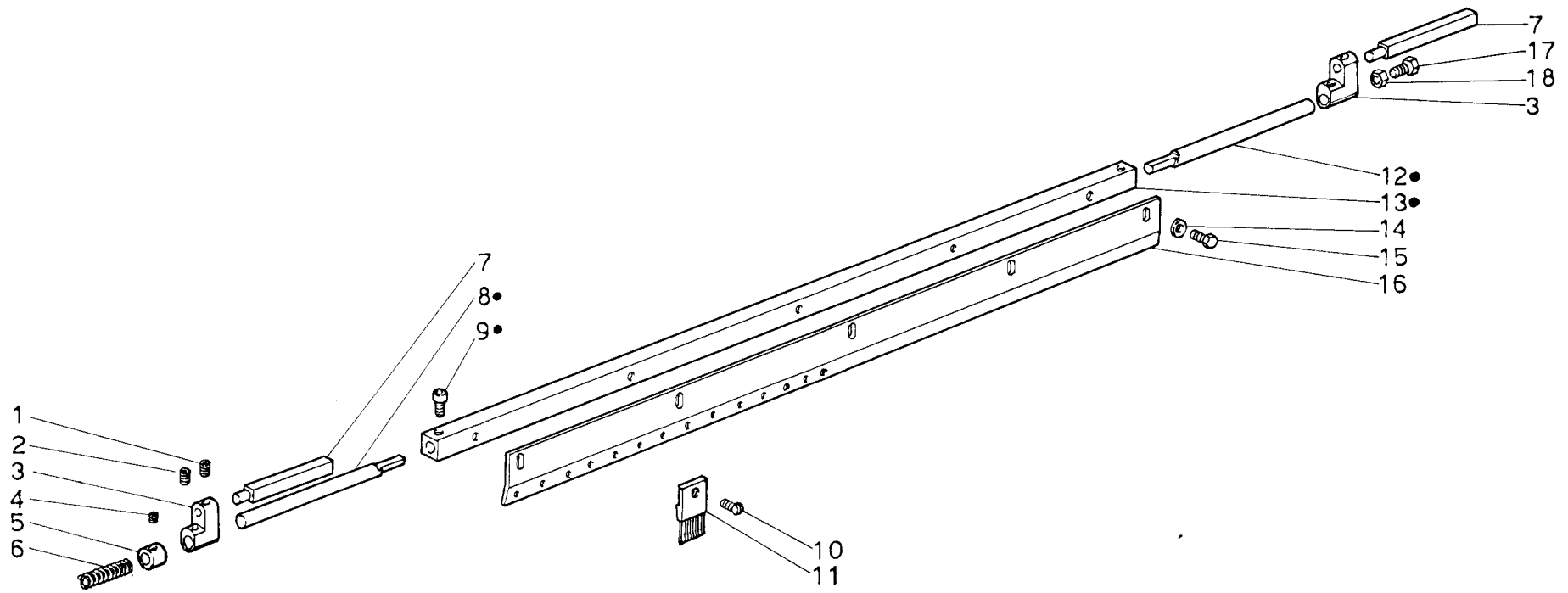


Fig. N. Abb. N.	Part. N. Bestell N. Piece N. Pieza N.	DESCRIZIONE	Fig. N. Abb. N.	Part. N. Bestell N. Piece N. Pieza N.	DESCRIZIONE
	RZR-B,P.E.	gruppo barra passette fin, 15			
	RZR-B,P.E.	gruppo barra passette fin, 14			
	RZR-B,P.E.	gruppo barra passette fin, 12			
	RZR-B,P.E.	gruppo barra passette fin, 20			
●	RZR-G135/80/9414	barra passette completa			
1	RZR-3/D/6	vite			
2	RZR-3/D/8	vite			
3	RZR-015/60/187	supporto barre			
4	RZR-16/F/4	vite			
5	RZR-015/60/010	anello			
6	RZR-015/60/8047	molla			
7	RZR-015/60/188	spina			
8	RZR-125/80/4866	perno lungo			
9	RZR-2/C/10	vite			
10	RZR-41/B/7	vite			
11	RZR-P015/60/171	blocco passette fin, 15			
11	RZR-P014/60/427	blocco passette fin, 14			
11	RZR-P012/60/457	blocco passette fin, 12			
11	RZR-P805/20/10546	blocco passette fin, 20			
12	RZR-135/80/5227	perno corto			
13	RZR-015/80/9430	barra passette			
14	RZR-62/C/5	rondella			
15	RZR-36/E/10	vite			
16	RZR-015/80/9431	lamella porta pass. fin. 15-14			
16	RZR-012/80/9434	lamella porta pass. fin. 12			
16	RZR-805/20/10548	lamella porta pass. fin. 20			
17	RZR-36/R/25	vite			
18	RZR-51/G/6	dado			

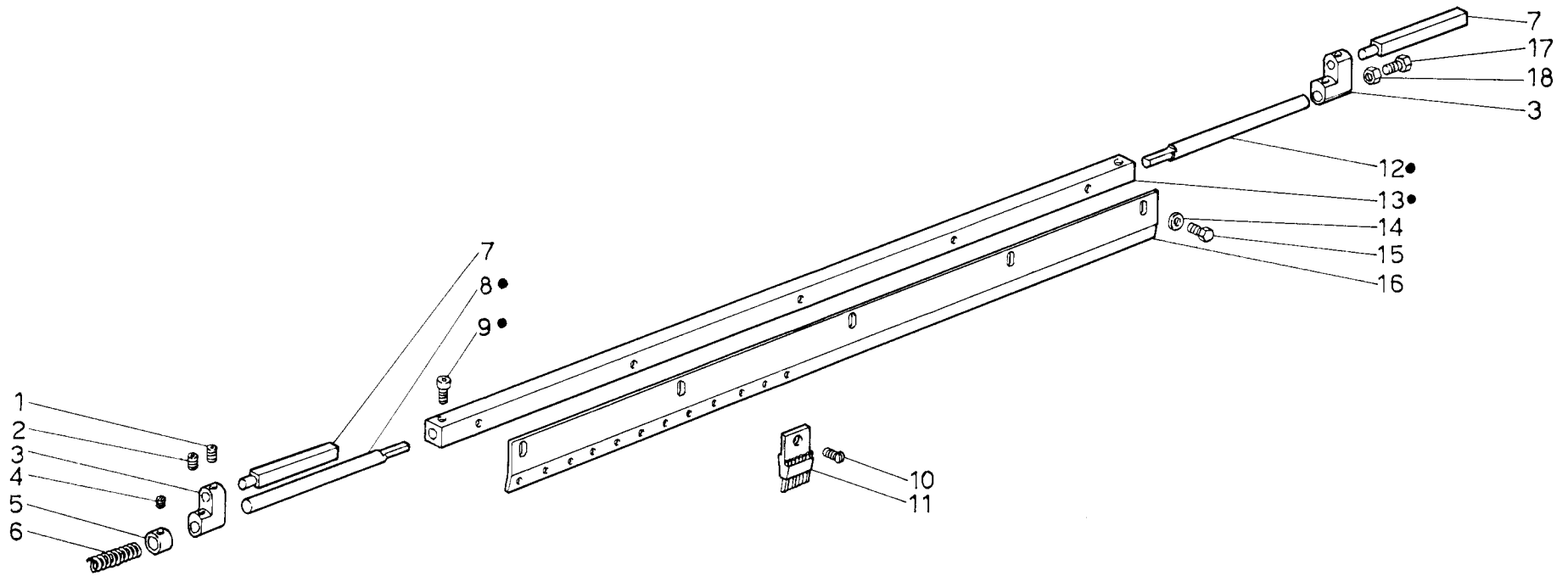


Fig. N. Abb. N.	Part. N. Bestell N. Piece N. Pieza N.	DESCRIZIONE	Fig. N. Abb. N.	Part. N. Bestell N. Piece N. Pieza N.	DESCRIZIONE
—	RZR-BT	gruppo barra tubetti fin. 15			
—	RZR-BT	gruppo barra tubetti fin. 14			
—	RZR-BT	gruppo barra tubetti fin. 12			
●	RZR-P135/80/9414	barra tubetti completa			
1	RZR-3/D/6	vite			
2	RZR-3/D/8	vite			
3	RZR-015/60/187	supporto barre			
4	RZR-16/F/4	vite			
5	RZR-015/60/010	anello			
6	RZR-015/60/190	molla			
7	RZR-015/60/188	spina			
8	RZR-125/80/4866	perno lungo			
9	RZR-2/C/10	vite			
10	RZR-41/B/7	vite			
11	RZR-P015/60/9407	blocco tubetti fin. 15			
11	RZR-014/60/9408	blocco tubetti fin. 14			
11	RZR-P012/60/9409	blocco tubetti fin. 12			
12	RZR-135/100/5623	perno corto			
13	RZR-015/80/9430	barra tubetti			
14	RZR-62/C/5	rondella			
15	RZR-36/E/10	vite			
16	RZR-015/80/9431	lamella porta tubetti fin. 15-14			
16	RZR-012/80/9434	lamella porta tubetti fin. 12			
17	RZR-36/R/25	vite			
18	RZR-51/G/6	dado			

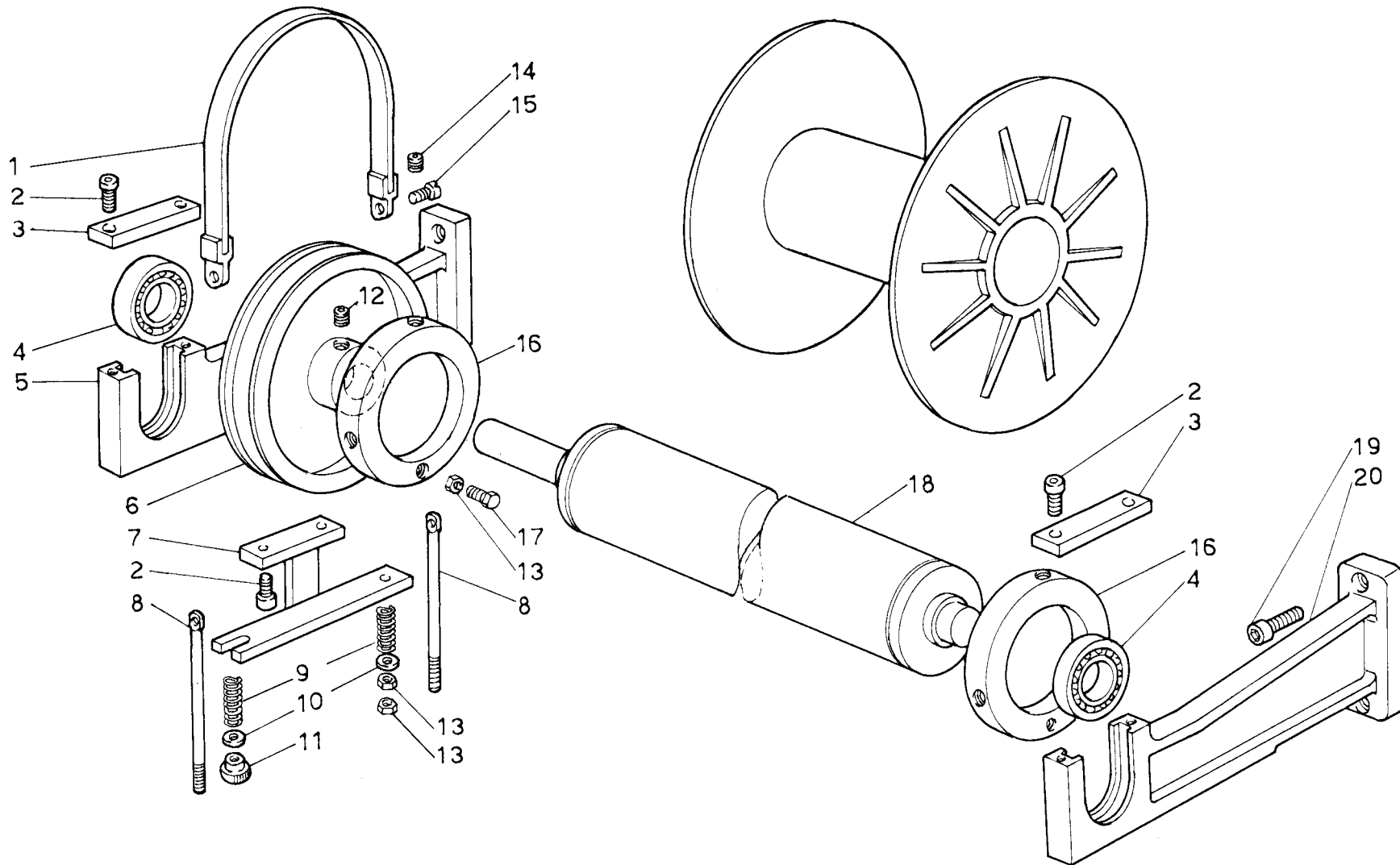


Fig. N. Abb. N.	Part. N. Bestell N. Piece N. Pieza N.	DESCRIZIONE	Fig. N. Abb. N.	Part. N. Bestell N. Piece N. Pieza N.	DESCRIZIONE
1	RZR-P015/60/9205	listello frenante			
2	RZR-2/C/14	vite			
3	RZR-015/60/9203	piastrina			
4	RZR-4/L/25	cuscinetto			
5	RZR-082/150/2401	supporto sinistro			
6	RZR-015/60/9204	puleggia			
7	RZR-P015/60/9215	piastrina			
8	RZR-015/60/9206	tenditore			
9	RZR-015/60/8183	molletta			
10	RZR-62/D/6	rondella			
11	RZR-015/60/247	pomello			
12	RZR-3/E/10	vite			
13	RZR-51/G/6	dado			
14	RZR-3/D/15	vite			
15	RZR-1/E/8	vite			
16	RZR-015/60/9207	anello			
17	RZR-36/F/30	vite			
18	RZR-P015/80/9211	albero porta subbi			
19	RZR-2/D/20	vite			
20	RZR-082/150/2400	supporto destro			

PORTA SUBBI SUPERIORE

TAV. 25

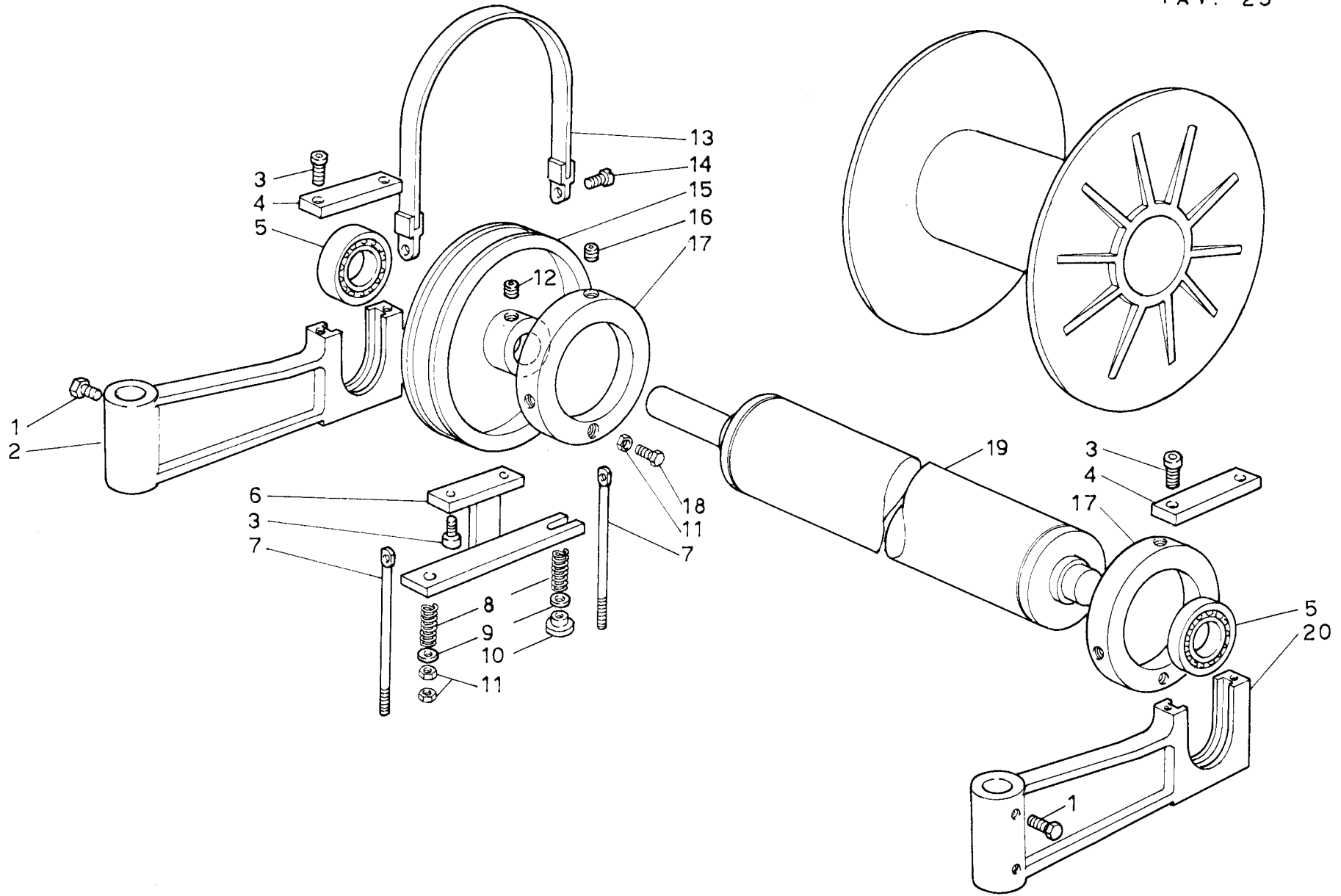


Fig. N. Abb. N.	Part. N. Bestell N. Piece N. Pieza N.	DESCRIZIONE	Fig. N. Abb. N.	Part. N. Bestell N. Piece N. Pieza N.	DESCRIZIONE
1	RZR-36/F/15	vite			
2	RZR-015/60/9201	supporto sinistro			
3	RZR-2/C/14	vite			
4	RZR-015/60/9203	piastrina			
5	RZR-4/L/25	cuscinetto			
6	RZR-P015/60/9220	piastrina			
7	RZR-015/60/9206	tenditore			
8	RZR-015/60/8133	mollotta			
9	RZR-62/D/6	rondella			
10	RZR-015/60/247	pomello			
11	RZR-51/G/6	dado			
12	RZR-3/E/10	vite			
13	RZR-P015/60/9205	listello frenante			
14	RZR-1/E/8	vite			
15	RZR-015/60/9204	puleggia			
16	RZR-3/D/15	vite			
17	RZR-015/60/9207	anello			
18	RZR-36/F/30	vite			
19	RZR-P015/80/9211	albero porta subbi			
20	RZR-015/60/9200	supporto destro			