

Rimoldi

CATALOGO PEZZI DI RICAMBIO
SPARE PARTS CATALOGUE
CATALOGUE RECHANGES
ERSATZTEILELISTE

COMEZ
MPR 3100

n.203

652800630

UFFICIO CATALOGHI 7/78

INDICE NUMERICO

Part. N.	Tav. N.	Part. N.	Tav. N.	Part. N.	Tav. N.	Part. N.	Tav. N.	Part. N.	Tav. N.
RZR-015/60/027	2	RZR-015/60/257	26	RZR-083/150/2112	11	RZR-135/80/5482	22	RZR-110/310/6097	4
RZR-015/60/029	2	RZR-015/60/263	8	RZR-082/150/2113	11	RZR-110/310/6000	1	RZR-110/310/6098	5
RZR-015/60/030	2	RZR-G/015/60/263	8	RZR-082/150/2114	11	RZR-110/310/6030	2	RZR-110/310/6099	4
RZR-015/60/031	1	RZR-015/60/264	7-17	RZR-082/150/2118	11	RZR-110/310/6031	2	RZR-110/310/6109	5
RZR-015/60/031/1	1	RZR-015/60/271	2-4-5-10-16	RZR-082/150/2270	9	RZR-P110/310/6032	2	RZR-P110/310/6110	4
RZR-015/60/037	19-24	RZR-015/60/288	26	RZR-082/150/2421	21	RZR-G110/310/6035	2	RZR-110/310/6111	5
RZR-015/60/046	15-24	RZR-015/60/338	7-18-19	RZR-082/150/2423	21	RZR-110/310/6036	2	RZR-110/310/6112	4
RZR-015/60/047	15-24	RZR-015/60/405	6	RZR-082/150/2425	21	RZR-110/310/6037	2	RZR-110/310/6113	4-5
RZR-015/60/052	9	RZR-015/60/568	26	RZR-082/150/2427	21	RZR-P110/310/6038	2	RZR-110/310/6114	17
RZR-015/60/057	6	RZR-015/60/569	26	RZR-082/150/2431	21	RZR-110/310/6041	2	RZR-110/310/6115	4
RZR-015/60/076	2	RZR-015/60/570	26	RZR-082/150/2432	21	RZR-110/310/6042	2	RZR-110/310/6116	3
RZR-015/60/083	15	RZR-015/60/571	26	RZR-110/280/3554	1	RZR-110/310/6043	2	RZR-110/310/6117	3
RZR-015/60/089	19	RZR-015/60/572	26	RZR-015/80/4516	3	RZR-110/310/6044	2	RZR-110/310/6118	4-5
RZR-015/60/097	3	RZR-015/60/573	26	RZR-015/80/4517	3	RZR-G110/310/6045	2	RZR-110/310/6119	4
RZR-015/60/099	6	RZR-015/60/574	26	RZR-015/80/4528	4-5	RZR-P110/310/6046	2	RZR-110/310/6122	5
RZR-015/60/100	6	RZR-015/60/575	26	RZR-015/80/4632	24	RZR-110/310/6049	2	RZR-110/310/6140	6
RZR-015/60/105	6	RZR-015/60/576	26	RZR-015/80/4635	24	RZR-110/310/6050	2	RZR-110/310/6141	6
RZR-015/60/114	4	RZR-015/60/577	26	RZR-P/015/80/4636	24	RZR-110/310/6051	2	RZR-G110/310/6142	6
RZR-015/60/125	19	RZR-020/60/581	26	RZR-015/80/4638	15-24	RZR-110/310/6052	2	RZR-110/310/6143	6
RZR-015/60/138	11-15	RZR-015/60/611	26	RZR-G015/80/4639	24	RZR-110/310/6053	2	RZR-110/310/6144	6
RZR-015/60/139	3-11-15	RZR-020/60/683	26	RZR-015/80/4639	24	RZR-110/310/6054	2	RZR-110/310/6145	6
RZR-015/60/140	6	RZR-020/60/684	26	RZR-015/80/4640	24	RZR-110/310/6055	2	RZR-110/310/6146	6
RZR-015/60/145	22	RZR-G020/60/713	26	RZR-015/80/4772	22	RZR-110/310/6056	2	RZR-110/310/6147	6
RZR-015/60/156	19	RZR-G035/60/846	2-15	RZR-015/80/4773	22	RZR-110/310/6057	2	RZR-110/310/6148	6
RZR-015/60/165	8-18-19-24	RZR-P040/100/1091	26	RZR-125/80/4913	11-15	RZR-P110/310/6058	2	RZR-110/310/6149	6
RZR-015/60/169	8-18	RZR-040/160/1301	6	RZR-135/80/5053	2	RZR-110/310/6062	2	RZR-110/310/6150	6
RZR-015/60/174	8	RZR-040/160/1307	6	RZR-135/80/5082	4	RZR-110/310/6063	2	RZR-110/310/6151	6
RZR-015/60/182	22	RZR-040/160/1369	4	RZR-135/80/5106	4-5	RZR-110/310/6064	2	RZR-110/310/6152	6
RZR-015/60/191	19-20-24	RZR-G040/160/1372	4	RZR-135/80/5141	15	RZR-110/310/6065	2	RZR-110/310/6153	6
RZR-015/60/195	22	RZR-040/160/1380	8	RZR-135/80/5142	15	RZR-110/310/6066	2	RZR-110/310/6154	6
RZR-015/60/196	22	RZR-040/160/1404	3	RZR-135/80/5144	15	RZR-G110/310/6067	2	RZR-110/310/6155	6
RZR-015/60/200	22	RZR-040/160/1411	8	RZR-135/80/5145	15	RZR-110/310/6069	2	RZR-110/310/6156	6
RZR-015/60/204	19-24	RZR-040/160/1418	4	RZR-135/80/5148	15	RZR-P110/310/6080	3	RZR-110/310/6157	6
RZR-015/60/223	16	RZR-040/160/1426	6	RZR-135/80/5156	15-20	RZR-110/310/6089	3	RZR-P110/310/6180	7
RZR-015/60/230	16	RZR-082/150/2020	11-15	RZR-G135/80/5156	20	RZR-110/310/6090	3	RZR-110/310/6184	7
RZR-015/60/232	16	RZR-082/150/2041	16-20-23	RZR-135/80/5191	16	RZR-110/310/6091	3	RZR-110/310/6185	7
RZR-015/60/240	22	RZR-082/150/2099	7	RZR-135/80/5222	4-5-14	RZR-110/310/6092	3	RZR-110/310/6186	7
RZR-015/60/245	19	RZR-082/150/2100	7	RZR-P135/80/5275	8	RZR-110/310/6093	3	RZR-P110/310/6187	7
RZR-015/60/247	3-16	RZR-082/150/2104	7-8-19	RZR-P135/80/5276	8	RZR-G110/310/6094	3	RZR-110/310/6191	7
RZR-015/60/248	16	RZR-082/150/2110	11	RZR-135/80/5472	22	RZR-110/310/6095	3	RZR-G110/310/6192	7
RZR-015/60/249	16	RZR-083/150/2111	11	RZR-135/80/5481	22	RZR-P110/310/6096	4	RZR-110/310/6196	7

INDICE NUMERICO

Part. N.	Tav. N.	Part. N.	Tav. N.	Part. N.	Tav. N.	Part. N.	Tav. N.	Part. N.	Tav. N.
RZR-110/310/6586	21	RZR-015/60/7400	27	RZR-801/15/10064	8	RZR-2/D/30	8-14	RZR-12/B/16	8
RZR-110/310/6587	21	RZR-015/60/7402	27	RZR-801/15/10066	8	RZR-2/E/10	16	RZR-12/D/20	11-15
RZR-110/310/6588	21	RZR-015/60/7405	27	RZR-801/15/10089	8	RZR-2/E/20	19	RZR-12/E/25	3
RZR-110/310/6589	21	RZR-015/60/7406	27	RZR-801/15/10132	2	RZR-2/E/25	2-6-14	RZR-12/G/30	11
RZR-110/310/6650	22	RZR-015/60/7407	27	RZR-801/15/10133	2	RZR-2/E/30	4-5	RZR-12/H/35	3
RZR-G110/310/6651	22	RZR-015/60/7410	27	RZR-P801/15/10527	8	RZR-2/E/55	20	RZR-12/L/40	14
RZR-110/310/6652	22	RZR-015/60/7413	27	RZR-120/51034	13	RZR-2/G/25	13	RZR-14/B/5	8
RZR-110/310/6653	22	RZR-015/60/7414	27	RZR-120/51043	8	RZR-3/B/14	6	RZR-14/C/6	15
RZR-110/310/6654	22	RZR-015/60/7508	27	RZR-1/C/10	22	RZR-3/C/6	6	RZR-14/G/10	27
RZR-110/310/6655	22	RZR-P015/60/7509	27	RZR-1/D/7	3-6-7	RZR-3/D/6	2-13-18	RZR-16/F/4	24
RZR-G110/310/6656	22	RZR-015/60/7714	18-19-24	RZR-1/E/5	7-17	RZR-3/D/8	2-4-5-7-10-13	RZR-16/F/5	19-20
RZR-110/310/6657	22	RZR-P015/60/7714	13-18-19-24	RZR-1/E/8	7		15-16-18-19	RZR-16/G/6	6-17-19-22
RZR-110/310/6658	22	RZR-015/60/7715	19-24	RZR-1/E/10	17-22		20-23-24-25	RZR-16/G/10	6
RZR-110/310/6659	22	RZR-P015/60/7715	13-19-24	RZR-1/E/15	22	RZR-3/D/10	2-8-10-17	RZR-16/G/16	8
RZR-G110/310/6660	22	RZR-015/60/7717	13-19-24	RZR-1/E/25	22		18-21	RZR-18/P/50	15-24
RZR-110/310/6661	22	RZR-P015/60/7986	23	RZR-1/G/8	9	RZR3/D/15	4-15	RZR-21/D/8	24
RZR-110/310/6671	22	RZR-015/60/8007	23	RZR-1/G/10	1-4-7-12	RZR-3/E/8	8-23	RZR-21/D/15	15
RZR-P110/310/6700	23	RZR-P015/60/8021	23		17-20	RZR-3/E/10	3-4-5-8-9-13	RZR-22/F/8	2-7
RZR-110/310/6703	23	RZR-015/60/8057	19	RZR-2/A/10	13		14-16-19-20	RZR-26/E/8	9
RZR-P110/310/6704	23	RZR-015/60/8261	27	RZR-2/B/10	3-8-16		21-23	RZR-26/F/10	17
RZR-P110/310/6705	23	RZR-G015/60/8261	27	RZR-2/B/14	15	RZR-3/E/15	4-6-9	RZR-26/F/15	4
RZR-110/310/6706	24	RZR-020/60/8357	9	RZR-2/B/15	3-4-5-6-7-17	RZR-3/E/30	14	RZR-26/L/25	16
RZR-110/310/6707	24	RZR-020/60/8431	26		23-25	RZR-3/S/15	2	RZR-31/C/10	8-19
RZR-110/310/6708	24	RZR-P020/60/8447	27	RZR-2/C/5	3	RZR-4/D/10	15-19-20	RZR-33/C/8	18
RZR-P110/310/6711	23	RZR-135/80/8592	21	RZR-2/C/8	7	RZR-4/F/15	2	RZR-36/E/10	6-8-13-14-18
RZR-110/310/6713	23	RZR-020/60/8603	19	RZR-2/C/10	19-22	RZR-4/G/15	15	RZR-36/E/15	23
RZR-110/310/6714	25	RZR-015/60/8681	22	RZR-2/C/14	15-20-22	RZR-4/H/20	2-4-5-10	RZR-36/E/25	13
RZR-110/310/6715	25	RZR-015/60/8688	22	RZR-2/C/15	4-5-6-7-8-9		11-15-21	RZR-36/E/30	27
RZR-110/310/6716	25	RZR-015/60/8689	16		14-16-17-25	RZR-4/L/25	4-5-16-20	RZR-36/F/10	2-12-15
RZR-110/310/6717	25	RZR-035/60/8806	27	RZR-2/C/20	7-13-17-24		21-23	RZR-36/F/15	3-15-17
RZR-110/310/6718	25	RZR-040/100/8851	27	RZR-2/C/25	12-19	RZR-4/M/30	9	RZR-36/F/20	3-11
RZR-110/310/6719	25	RZR-801/15/10037	3	RZR-2/C/35	2-13	RZR-4/N/30	11	RZR-36/F/25	7-17
RZR-P110/310/6720	24	RZR-801/15/10044	15	RZR-2/C/45	6	RZR-4/R/20	15	RZR-36/F/50	27
RZR-110/310/6723	24	RZR-801/15/10049	15	RZR-2/D/8	23	RZR-4/Z/35	3	RZR-36/G/15	18-20
RZR-110/310/6724	23	RZR-801/15/10052	8	RZR-2/D/10	17-19	RZR-4/Y/12	8	RZR-36/G/20	3-4-5-9-17-25
RZR-110/310/6725	23	RZR-801/15/10053	8	RZR-2/D/15	5-8-9-10-13-15	RZR-5/D/4	25	RZR-36/G/25	2-5-6-8-14
RZR-110/310/6726	23	RZR-G801/15/10056	8		16-18-20-25	RZR-5/D/15	13-14		15-20-23
RZR-110/310/6727	25	RZR-801/15/10057	8	RZR-2/D/20	3-6-7-8-9	RZR-7/G/20	2	RZR-36/G/30	20
RZR-P110/310/6736	26	RZR-801/15/10058	8		10-13	RZR-8/D/25	4	RZR-36/G/40	14-20
RZR-135/80/7302	20	RZR-801/16/10059	8	RZR-2/D/25	4-7-9-13	RZR-10/G/30	3	RZR-36/H/30	2-3
RZR-135/80/7303	20	RZR-801/15/10061	8		21-25	RZR-10/H/50	11	RZR-40/B/14	18

INDICE NUMERICO

Part. N.	Tav. N.	Part. N.	Tav. N.	Part. N.	Tav. N.	Part. N.	Tav. N.	Part. N.	Tav. N.
RZR-P110/310/6197	7	RZR-P110/310/6274	12	RZR-P110/310/6345	13	RZR-110/310/6427	15	RZR-110/310/6505	18
RZR-110/310/6200	7	RZR-110/310/6276	12	RZR-P110/310/6348	13	RZR-P110/310/6428	15	RZR-110/310/6506	18
RZR-110/310/6201	7-17	RZR-110/310/6277	9	RZR-110/310/6350	13	RZR-110/310/6429	16	RZR-110/310/6508	18
RZR-110/310/6202	7	RZR-110/310/6278	10	RZR-110/310/6351	13	RZR-110/310/6430	16	RZR-110/310/6509	18
RZR-110/310/6203	7-18	RZR-110/310/6279	10	RZR-110/310/6352	13	RZR-P110/310/6431	16-20	RZR-110/310/6510	18
RZR-110/310/6204	7	RZR-110/310/6280	10	RZR-110/310/6353	13	RZR-P110/310/6435	16	RZR-110/310/6511	18
RZR-110/310/6205	7	RZR-110/310/6281	10	RZR-110/310/6354	13	RZR-P110/310/6439	16	RZR-110/310/6512	18
RZR-110/310/6222	8	RZR-P110/310/6282	10	RZR-110/310/6355	13	RZR-110/310/6440	16	RZR-110/310/6513	18
RZR-110/310/6224	8	RZR-P110/310/6285	10	RZR-110/310/6356	13	RZR-110/310/6441	16	RZR-110/310/6514	18
RZR-110/310/6226	9	RZR-110/310/6287	10	RZR-110/310/6357	13	RZR-P110/310/6442	16	RZR-110/310/6515	18
RZR-110/310/6227	9	RZR-110/310/6288	10	RZR-110/310/6358	13	RZR-110/310/6443	16	RZR-G110/310/6520	19
RZR-110/310/6228	8	RZR-110/310/6289	10	RZR-110/310/6359	13	RZR-110/310/6444	16	RZR-110/310/6521	19
RZR-110/310/6230	8	RZR-110/310/6290	10	RZR-110/310/6360	13	RZR-110/310/6445	16-20	RZR-110/310/6522	19
RZR-110/310/6231	9	RZR-110/310/6291	10	RZR-110/310/6361	13	RZR-P110/310/6446	16	RZR-110/310/6523	19
RZR-G110/310/6232	8	RZR-110/310/6292	10	RZR-110/310/6362	13	RZR-110/310/6450	15	RZR-110/310/6524	19
RZR-110/310/6233	8	RZR-110/310/6293	10	RZR-110/310/6363	13	RZR-110/310/6451	15	RZR-110/310/6525	19
RZR-110/310/6234	8	RZR-110/310/6294	10	RZR-110/310/6364	13	RZR-110/310/6452	15	RZR-P110/310/6526	19
RZR-110/310/6235	8	RZR-110/310/6295	10	RZR-110/310/6365	14	RZR-110/310/6453	15	RZR-110/310/6527	19
RZR-P110/310/6240	9	RZR-110/310/6296	10	RZR-110/310/6367	14	RZR-110/310/6454	15	RZR-110/310/6528	18-19
RZR-110/310/6251	9	RZR-110/310/6298	10	RZR-110/310/6368	14	RZR-110/310/6455	15	RZR-110/310/6529	19
RZR-110/310/6252	9	RZR-110/310/6299	10	RZR-110/310/6369	14	RZR-110/310/6456	15	RZR-110/310/6530	19
RZR-110/310/6253	9	RZR-110/310/6300	10	RZR-110/310/6371	14	RZR-110/310/6457	15	RZR-110/310/6531	19
RZR-110/310/6254	11	RZR-110/310/6301	26	RZR-110/310/6372	14	RZR-110/310/6460	15	RZR-P110/310/6550	20
RZR-110/310/6255	11	RZR-110/310/6302	9	RZR-110/310/6400	15	RZR-110/310/6461	15	RZR-P110/310/6554	20
RZR-P110/310/6256	11	RZR-110/310/6303	10	RZR-110/310/6401	15	RZR-110/310/6462	15	RZR-110/310/6555	20
RZR-110/310/6258	9	RZR-110/310/6304	10	RZR-P110/310/6402	15	RZR-110/310/6480	17	RZR-110/310/6556	20
RZR-110/310/6259	9	RZR-110/310/6305	9	RZR-110/310/6406	15	RZR-110/310/6481	17	RZR-P110/310/6557	20
RZR-110/310/6260	9	RZR-P110/310/6306	12	RZR-G110/310/6410	15	RZR-110/310/6482	17	RZR-110/310/6558	20
RZR-110/310/6261	9-13	RZR-110/310/6330	14	RZR-P110/310/6411	15	RZR-110/310/6483	17	RZR-P110/310/6560	20
RZR-110/310/6262	9	RZR-110/310/6331	13	RZR-110/310/6414	15	RZR-110/310/6484	17	RZR-110/310/6563	20
RZR-110/310/6263	9	RZR-110/310/6332	13-14	RZR-P110/310/6415	15	RZR-110/310/6485	17	RZR-110/310/6564	20
RZR-110/310/6264	9	RZR-110/310/6333	13	RZR-110/310/6417	15	RZR-110/310/6486	17	RZR-110/310/6565	20
RZR-110/310/6265	9	RZR-110/310/6334	13	RZR-G110/310/6418	15	RZR-110/310/6487	17	RZR-110/310/6566	20
RZR-110/310/6266	9	RZR-110/310/6335	13	RZR-110/310/6419	15	RZR-110/310/6488	17	RZR-110/310/6567	20
RZR-110/310/6267	9	RZR-110/310/6336	13	RZR-P110/310/6420	15	RZR-110/310/6489	17	RZR-110/310/6568	16
RZR-110/310/6268	9	RZR-110/310/6337	13	RZR-110/310/6421	15	RZR-110/310/6490	7-20	RZR-110/310/6580	21
RZR-110/310/6269	9	RZR-110/310/6338	13	RZR-110/310/6422	15	RZR-110/310/6491	17-20	RZR-110/310/6581	21
RZR-110/310/6270	9	RZR-110/310/6339	13	RZR-P110/310/6423	15	RZR-110/310/6492	17	RZR-110/310/6582	21
RZR-110/310/6271	9	RZR-110/310/6340	13	RZR-110/310/6424	15	RZR-110/310/6493	17	RZR-110/310/6583	21
RZR-110/310/6272	9	RZR-P110/310/6341	13	RZR-110/310/6425	15	RZR-110/310/6494	17	RZR-110/310/6584	21
RZR-P110/310/6273	9	RZR-110/310/6344	13	RZR-110/310/6426	15	RZR-G110/310/6495	17	RZR-110/310/6585	21

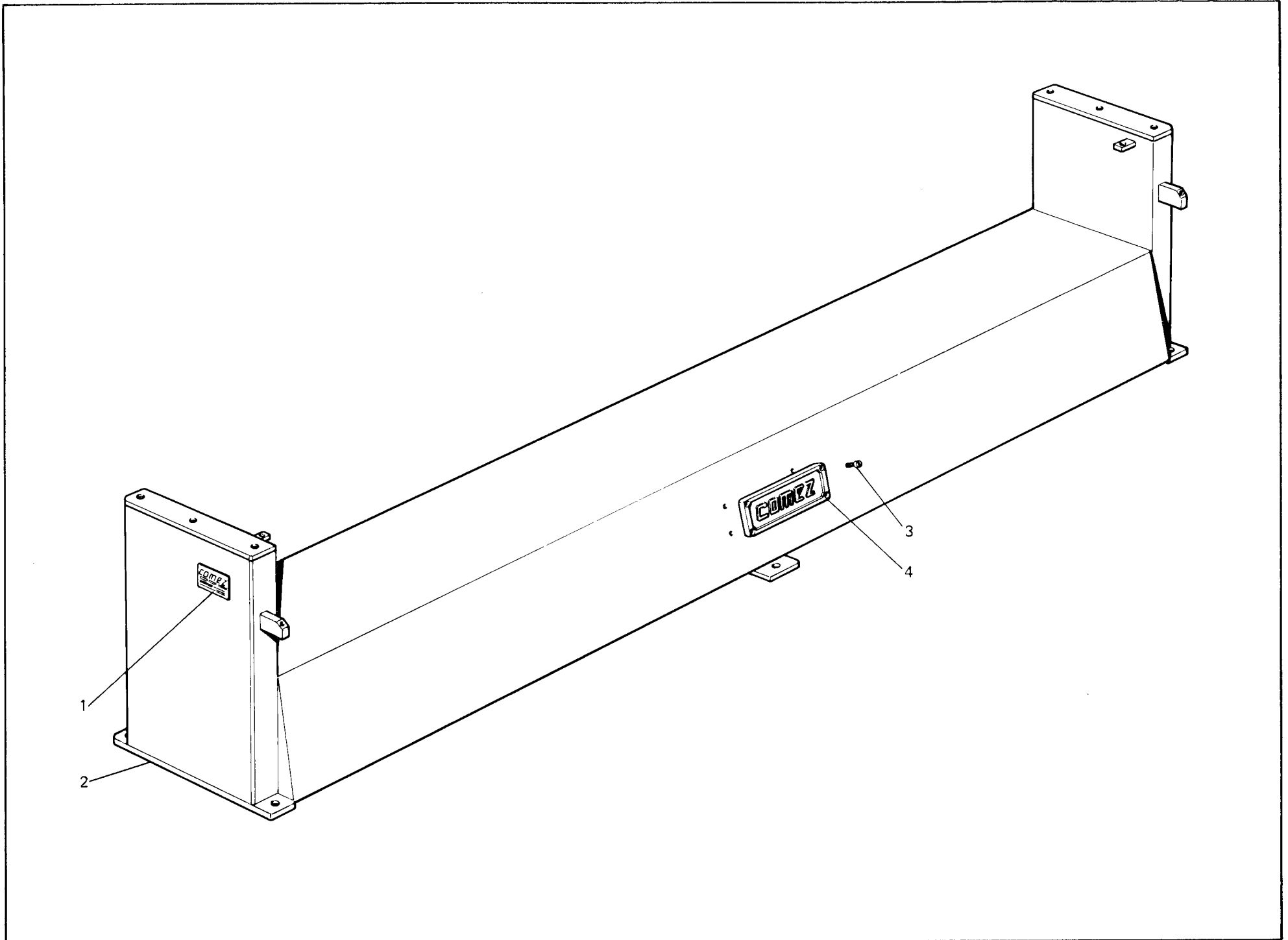


Fig. N.	Particolare N.	Q.tà	Descrizione
1	RZR-015/60/031	1	targhetta
1	RZR-015/60/031-1	1	targhetta (in alternativa)
2	RZR-P110/310/6000	1	basamento
3	RZR-1/G/10	—	vite
4	RZR-110/280/3554	1	scritta Comez

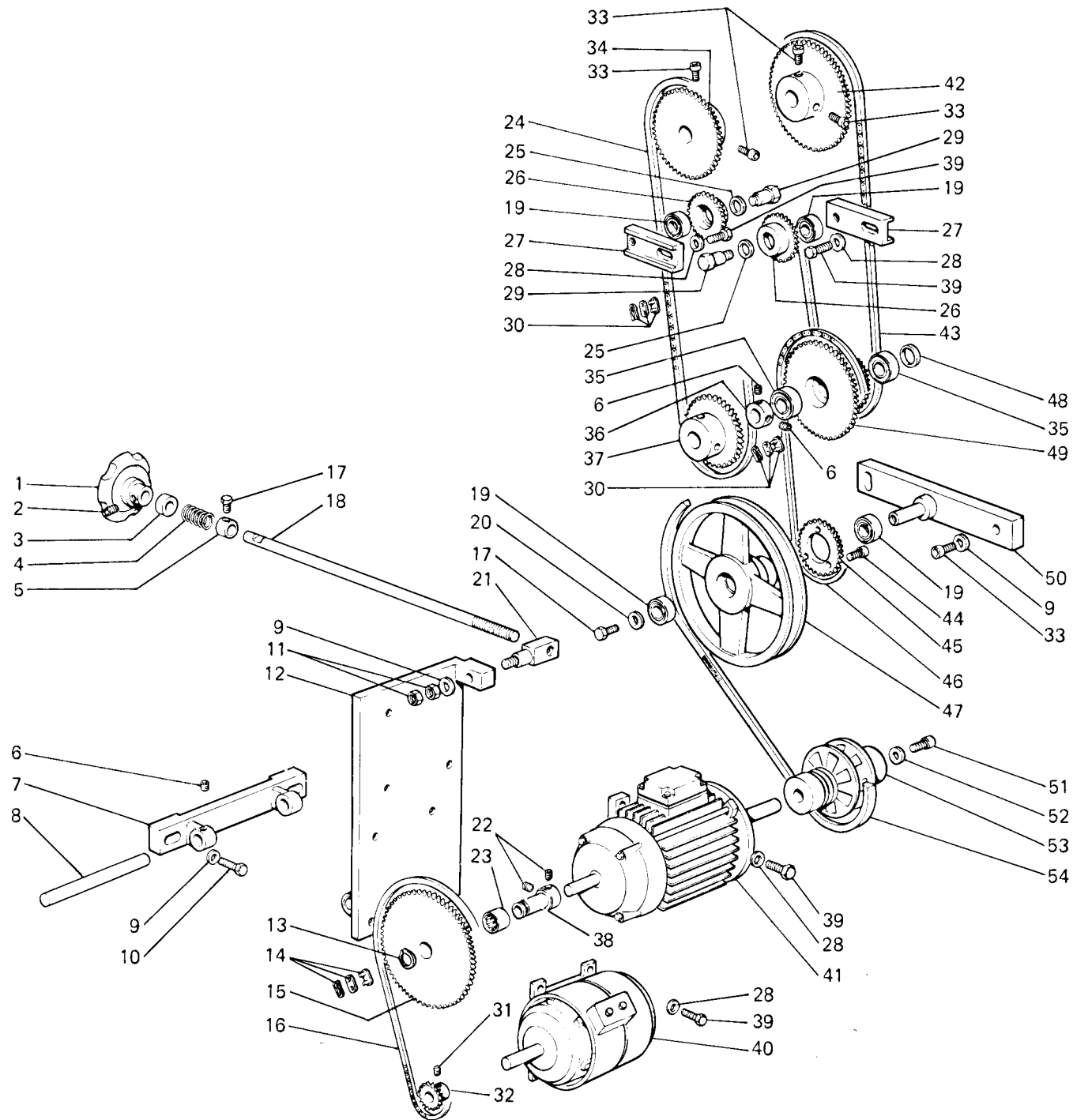
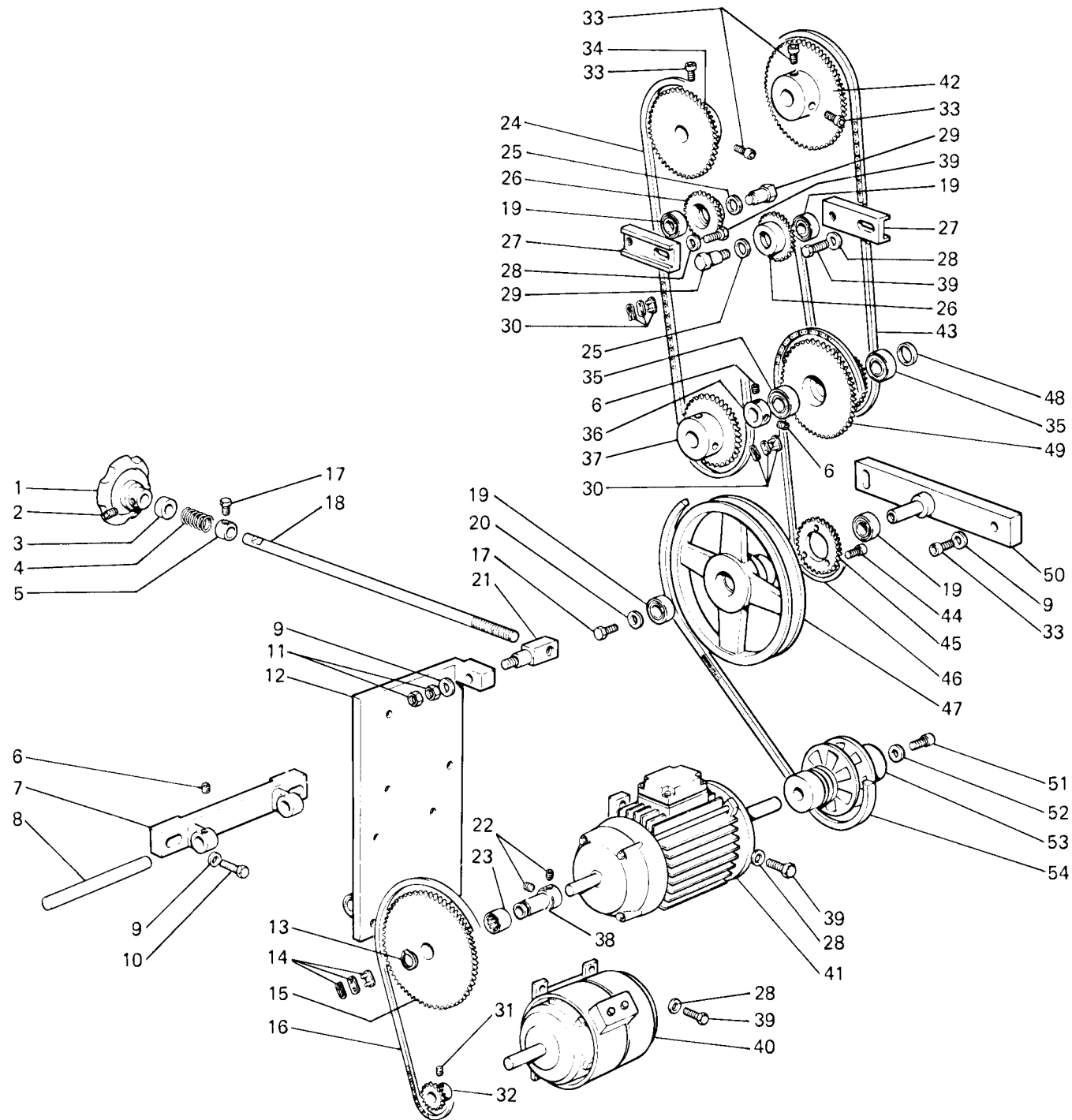


Fig. N.	Particolare N.	Q.tà	Descrizione
1	RZR-135/80/5053	1	volantino
2	RZR-3/D/6	—	vite
3	RZR-015/60/029	1	anello
4	RZR-015/60/030	1	molla
5	RZR-015/60/027	1	anello
6	RZR-3/D/8	—	vite
7	RZR-110/310/6057	1	supporto piastra
8	RZR-110/310/6062	1	perno
9	RZR-62/G/10	—	rondella
10	RZR-36/H/30	—	vite
11	RZR-51/L/10	—	dado
12	RZR-P110/310/6058	1	piastra motore
13	RZR-7/G/20	1	anello elastico
14	RZR-G035/60/846	1	giunzione catena
15	RZR-P110/310/6032	1	ingranaggio condotto moto lento
16	RZR-110/310/6064	1	catena
17	RZR-36/F/10	—	vite
18	RZR-110/310/6063	1	alberino
19	RZR-4/F/15	4	cuscinetto radiale
20	RZR-60/E/6	1	rondella speciale
21	RZR-110/310/6069	1	spinotto di regolazione
22	RZR-3/D/10	—	vite
23	RZR-801/15/10133	1	ruota libera
24	RZR-110/310/6066	1	catena
25	RZR-110/310/6054	2	anello distanziale
26	RZR-110/310/6055	2	ingranaggio per galoppino
27	RZR-110/310/6052	2	piastra
28	RZR-62/F/8	—	rondella
29	RZR-110/310/6053	2	perno
30	RZR-G110/310/6045	3	giunzione catena
31	RZR-22/F/8	—	vite
32	RZR-110/310/6031	1	ingranaggio conduttore moto lento
33	RZR-2/E/25	—	vite
34	RZR-110/310/6050	1	ingranaggio conduttore per riduttore
35	RZR-4/H/20	2	cuscinetto radiale
36	RZR-015/60/271	1	distanziale
37	RZR-110/310/6051	1	ingranaggio condotto per riduttore
38	RZR-801/15/10132	1	bussola ruota libera
39	RZR-36/G/25	—	vite
40	RZR-015/60/076	1	motore moto lento V 220-380 HP 0,5 giri 1400
40	RZR-015/60/076	1	motore moto lento V 260-450 HP 0,5 giri 1400 (in alternativa)
41	RZR-110/310/6030	1	motore principale V 220-380 HP 1 giri 1400
41	RZR-110/310/6030	1	motore principale V 260-450 HP 1 giri 900 (in alternativa)
42	RZR-110/310/6049	1	ingranaggio albero principale
43	RZR-110/310/6065	1	catena
44	RZR-3/S/15	—	vite



TRASMISSIONE

Fig. N.	Particolare N.	Q.tà	Descrizione
45	RZR-110/310/6043	1	ingranaggio conduttore 1° rinvio
46	RZR-110/310/6044	1	catena
47	RZR-110/310/6041	1	puleggia 1° rinvio 50 Hz
47	RZR-110/310/6042	1	puleggia 1° rinvio 60 Hz (in alternativa)
48	RZR-110/310/6056	1	distanziale 2° rinvio
49	RZR-P110/310/6046	1	ingranaggio catena 2° rinvio
50	RZR-P110/310/6038	1	supporto puleggia
51	RZR-2/C/35	—	vite
52	RZR-60/P/6	1	anello spallamento
53	RZR-G110/310/6035	1	puleggia variabile Berges 50 Hz
53	RZR-G110/310/6067	1	puleggia variabile Berges 60 Hz (in alternativa)
54	RZR-110/310/6036	1	cinghia trasmissione 50 Hz
54	RZR-110/310/6037	1	cinghia trasmissione 60 Hz (in alternativa)

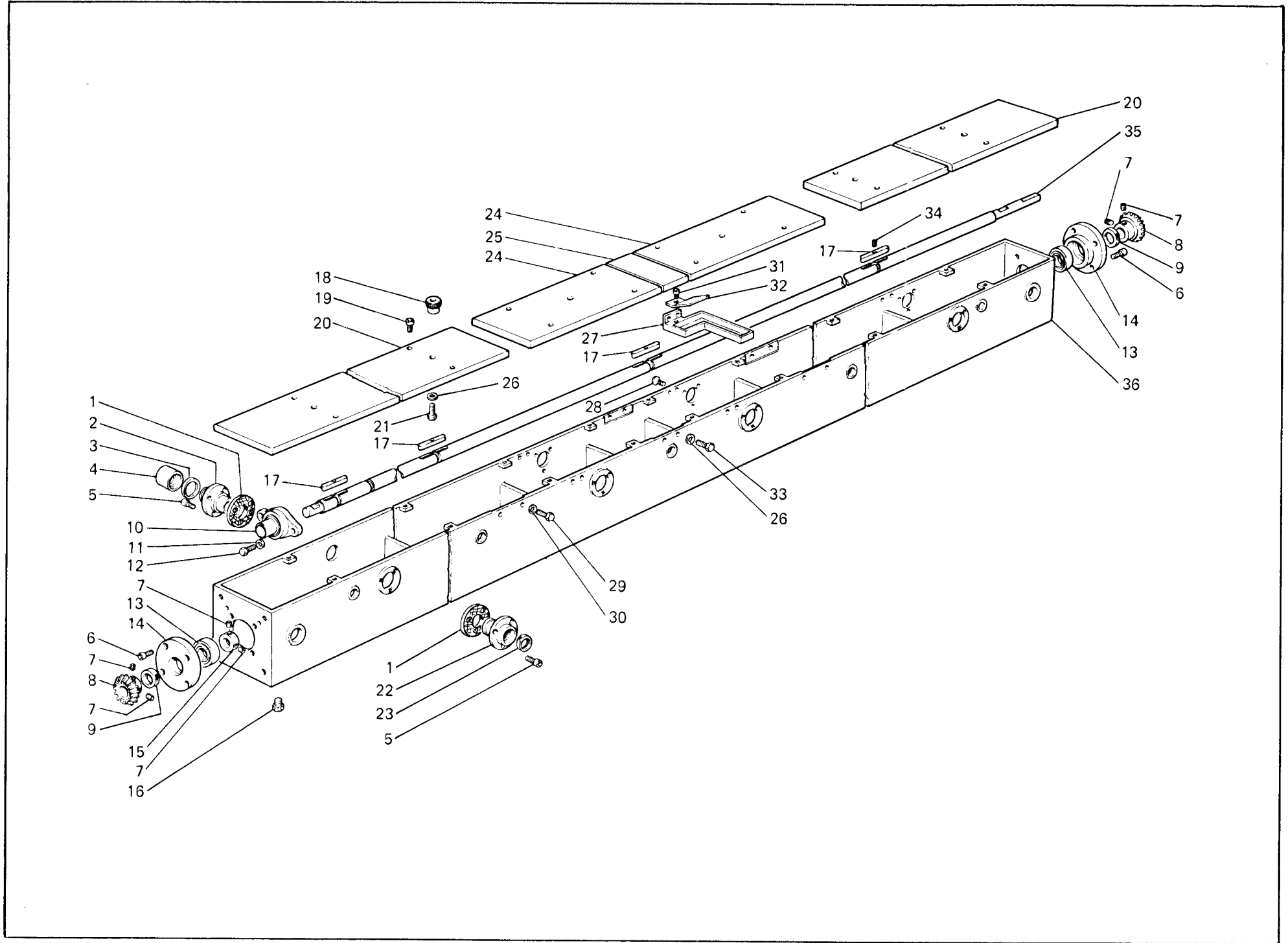


Fig. N.	Particolare N.	Q.ta	Descrizione
1	RZR-801/15/10037	8	guarnizione
2	RZR-015/80/4517	4	bussola posteriore
3	RZR-68/M/45	4	rondella speciale
4	RZR-015/60/097	4	coperchio bussola posteriore
5	RZR-2/B/15	—	vite
6	RZR-2/D/20	—	vite
7	RZR-3/E/10	—	vite
8	RZR-110/310/6117	2	pignone conico
9	RZR-12/H/35	2	anello di tenuta
10	RZR-G110/310/6094	4	supporto con cuscinetto
11	RZR-62/G/10	—	rondella
12	RZR-36/H/30	—	vite
13	RZR-4/Z/35	2	cuscinetto radiale
14	RZR-110/310/6093	2	copricuscinetto
15	RZR-110/310/6095	2	anello di spallamento
16	RZR-015/60/139	4	tappo scarico olio
17	RZR-10/G/30	4	chiavetta
18	RZR-015/60/247	6	pomello
19	RZR-2/C/5	—	vite
20	RZR-110/310/6091	2	coperchio esterno
21	RZR-36/F/15	—	vite
22	RZR-015/80/4516	4	bussola anteriore
23	RZR-12/E/25	4	anello di tenuta
24	RZR-110/310/6092	2	coperchio interno
25	RZR-110/310/6089	1	piastra centrale
26	RZR-62/D/6	—	rondella
27	RZR-110/310/6090	4	canalino
28	RZR-26/F/15	—	vite
29	RZR-36/G/20	—	vite
30	RZR-62/F/8	—	rondella
31	RZR-2/B/10	—	vite
32	RZR-040/160/1404	4	piastrina para olio
33	RZR-36/F/20	—	vite
34	RZR-1/D/7	—	vite
35	RZR-110/310/6116	1	albero cassetta centrale
36	RZR-P110/310/6080	1	cassetta centrale

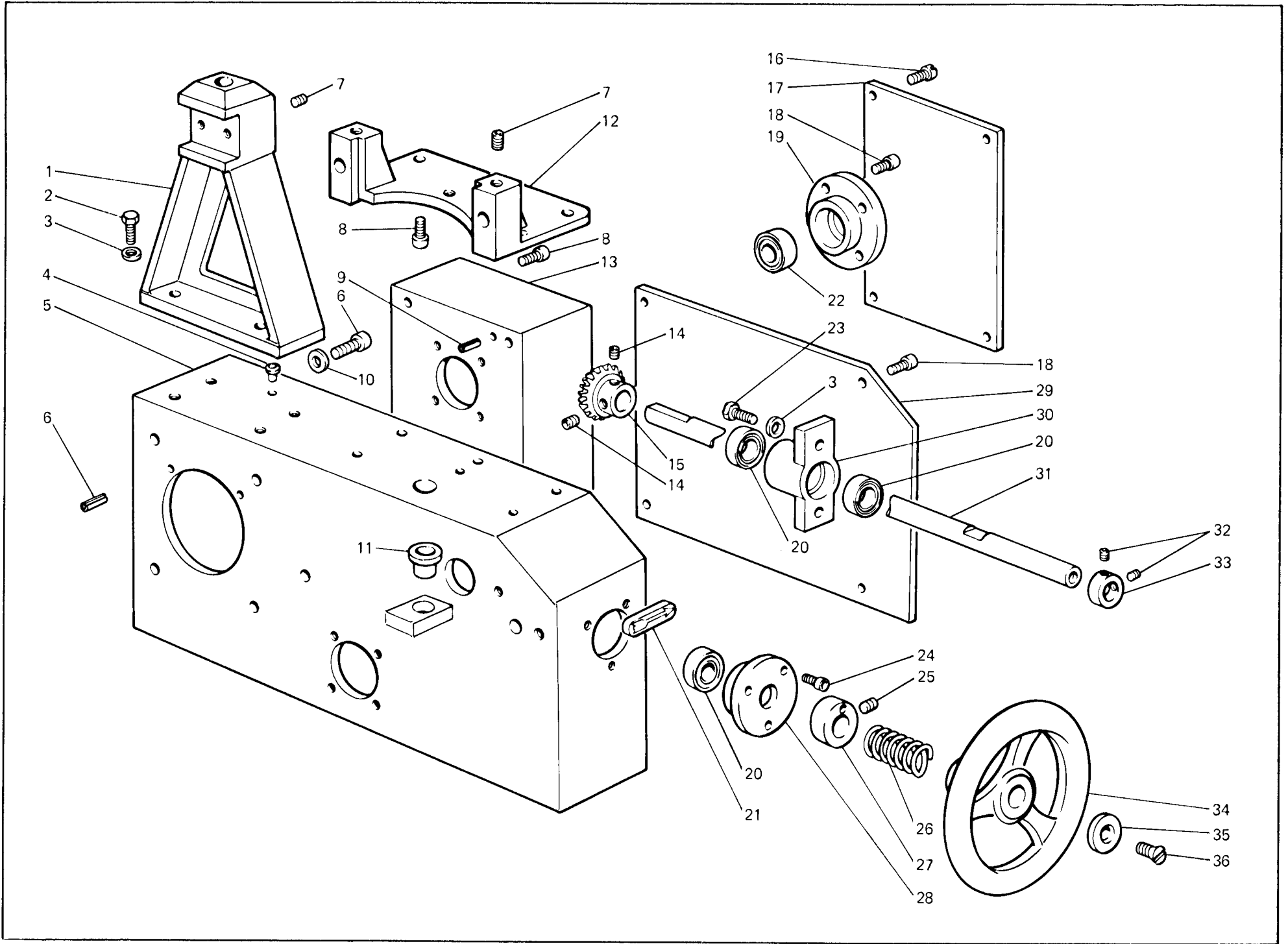


Fig. N.	Particolare N.	Q.tà	Descrizione
1	RZR-110/310/6113	1	supporto
2	RZR-36/G/20	—	vite
3	RZR-62/F/8	—	rondella
4	RZR-135/80/5222	1	oliatore
5	RZR-110/310/6097	1	cassetta destra
6	RZR-8/D/25	—	spina elastica
7	RZR-3/D/15	—	vite
8	RZR-2/D/25	—	vite
9	RZR-2/E/30	—	vite
10	RZR-62/G/10	—	rondella
11	RZR-135/80/5106	1	bronzina
12	RZR-110/310/6115	1	guida destra
13	RZR-P110/310/6096	1	scatola trasmissione
14	RZR-3/E/10	—	vite
15	RZR-110/310/6118	1	pignone conico
16	RZR-1/G/10	—	vite
17	RZR-110/310/6099	1	carter
18	RZR-2/C/15	—	vite
19	RZR-135/80/5082	1	copricuscinetto
20	RZR-4/H/20	3	cuscinetto radiale
21	RZR-015/60/114	1	targhetta
22	RZR-4/L/25	1	cuscinetto radiale
23	RZR-36/G/25	—	vite
24	RZR-2/B/15	—	vite
25	RZR-3/E/15	—	vite
26	RZR-040/160/1418	1	molla
27	RZR-040/160/1369	1	anello
28	RZR-015/80/4528	1	copricuscinetto
29	RZR-110/310/6112	1	carter destro
30	RZR-P110/310/6110	1	supporto cuscinetto
31	RZR-110/310/6119	1	albero destro
32	RZR-3/D/8	—	vite
33	RZR-015/60/271	3	anello spallamento
34	RZR-G040/160/1372	1	volantino
35	RZR-60/C/5	1	rondella speciale
36	RZR-26/F/15	—	vite

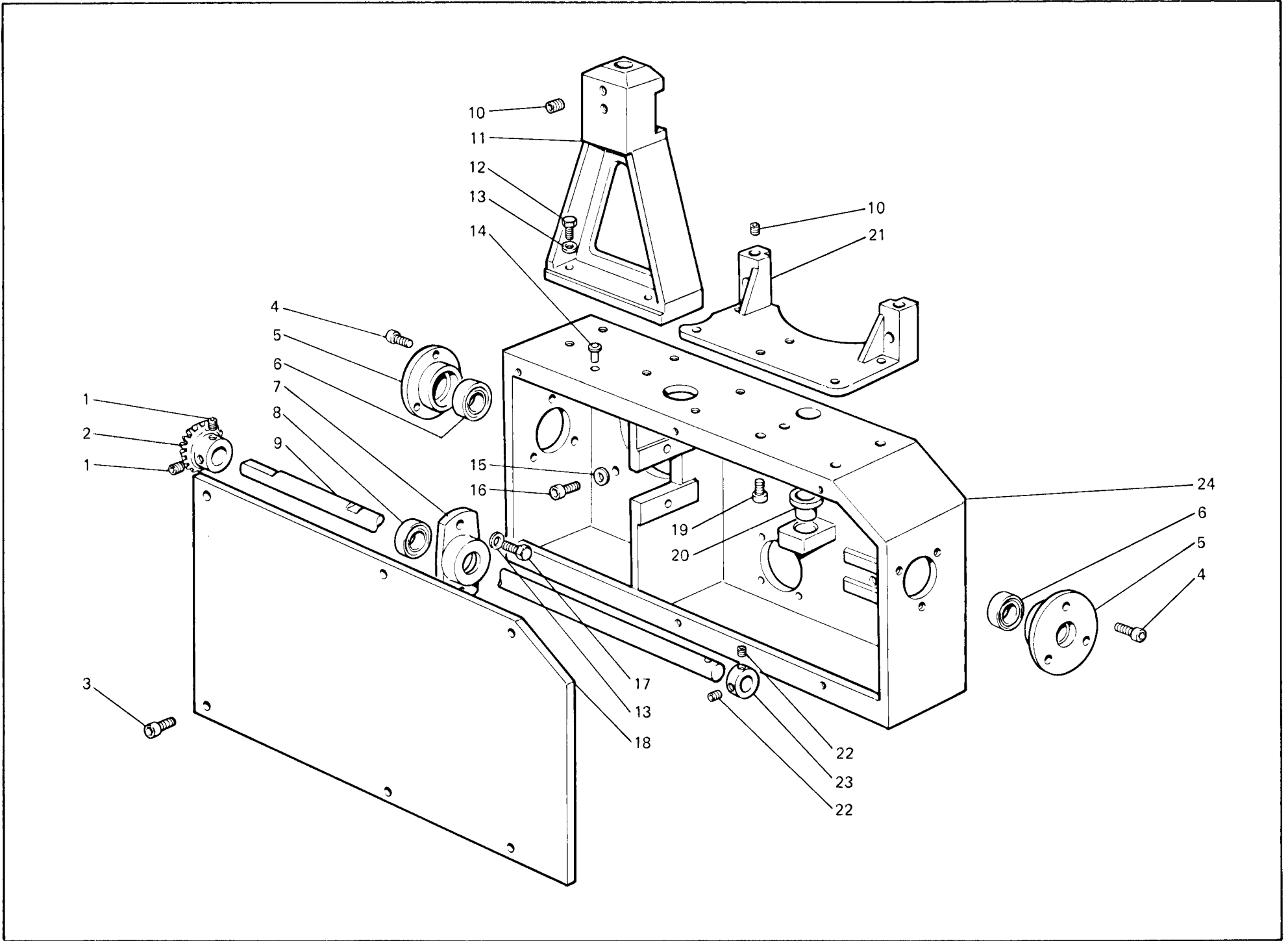


Fig. N.	Particolare N.	Q.tá	Descrizione
1	RZR-3/E/10	—	vite
2	RZR-110/310/6118	1	pignone conico
3	RZR-2/C/15	—	vite
4	RZR-2/B/15	—	vite
5	RZR-015/80/4528	2	copri cuscinetto
6	RZR-4/H/20	2	cuscinetto radiale
7	RZR-110/310/6109	1	supporto cuscinetto
8	RZR-4/L/25	1	cuscinetto radiale
9	RZR-110/310/6120	1	albero sinistro
10	RZR-3/D/15	—	vite
11	RZR-110/310/6113	1	supporto
12	RZR-36/G/20	—	vite
13	RZR-62/F/8	—	rondella
14	RZR-135/80/5222	1	oliatore
15	RZR-62/G/10	—	rondella
16	RZR-2/E/30	—	vite
17	RZR-36/G/25	—	vite
18	RZR-110/310/6111	1	carter sinistro
19	RZR-2/D/15	—	vite
20	RZR-135/80/5106	1	bronzina
21	RZR-110/310/6122	1	guida sinistra
22	RZR-3/D/8	—	vite
23	RZR-015/60/271	3	anello spallamento
24	RZR-110/310/6098	1	cassetta sinistra

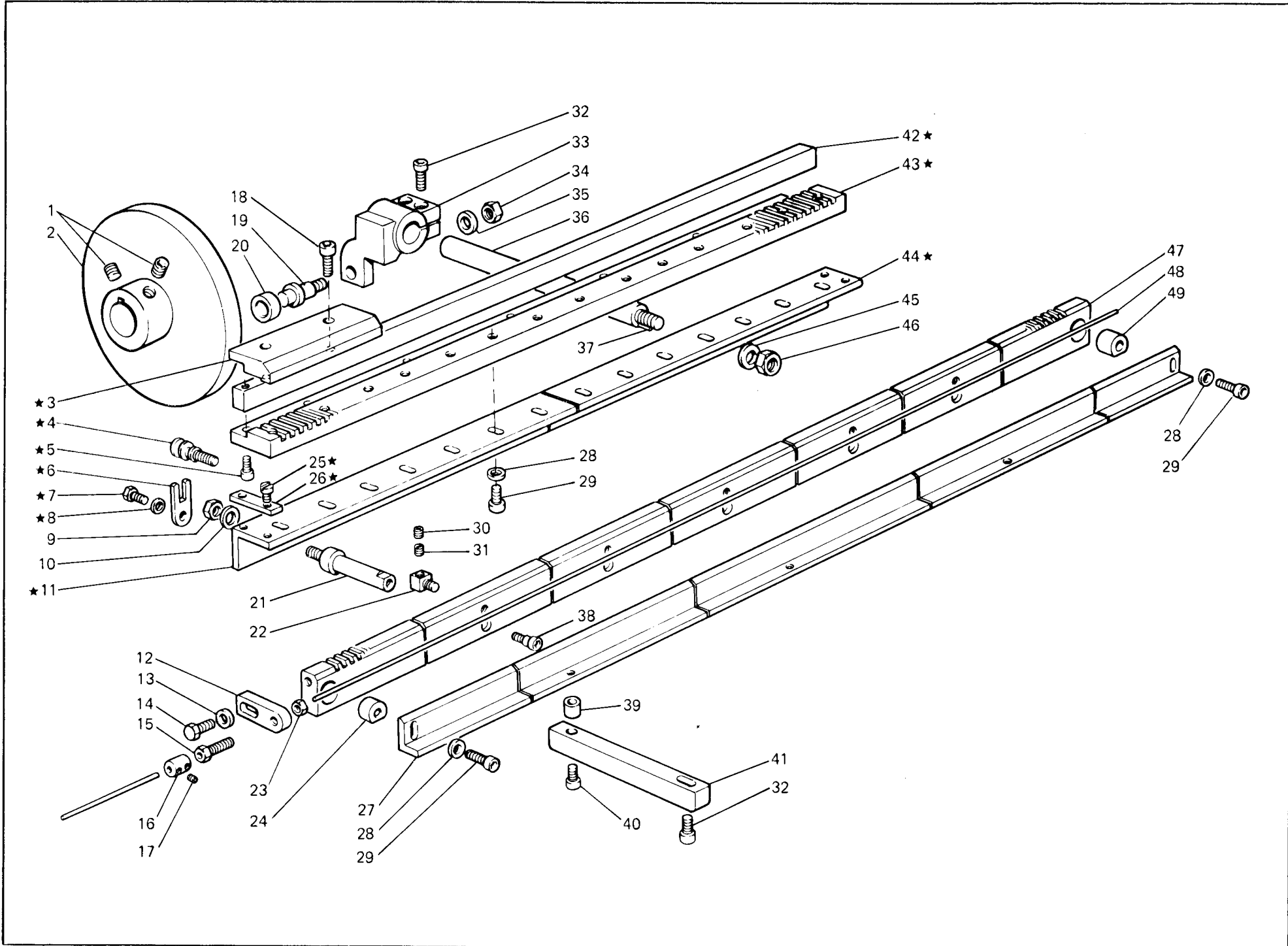


Fig. N.	Particolare N.	Q.ta	Descrizione
★	RZR-G110/310/6142	1	barra sposta aghi completa
1	RZR-3/E/15	—	vite
2	RZR-110/310/6140	4	camma sposta aghi
3	RZR-110/310/6147	31	placca fissaggio aghi
4	RZR-015/60/100	6	vite regolazione
5	RZR-3/B/14	—	vite
6	RZR-015/60/099	6	piastrina
7	RZR-36/E/10	—	vite
8	RZR-62/C/5	—	rondella
9	RZR-51/N/14	5	dado
10	RZR-62/L/14	5	rondella
11	RZR-110/310/6144	1	angolare sinistro
12	RZR-110/310/6154	2	braccio
13	RZR-62/F/8	—	rondella
14	RZR-36/G/25	—	vite
15	RZR-110/310/6155	2	bullone per cavo
16	RZR-110/310/6156	2	blocco per fissaggio cavo
17	RZR-3/C/6	—	vite
18	RZR-2/B/15	—	vite
19	RZR-040/160/1307	4	perno
20	RZR-110/310/6141	4	rullo per camme
21	RZR-110/310/6150	5	perno
22	RZR-110/310/6149	5	blocchetto
23	RZR-51/H/8	—	dado
24	RZR-015/60/105	1	perno sinistro
25	RZR-1/D/7	—	vite
26	RZR-015/60/140	2	piastrina
27	RZR-110/310/6151	1	angolare ferma lavoro
28	RZR-62/D/6	—	rondella
29	RZR-2/C/15	—	vite
30	RZR-16/G/6	—	vite
31	RZR-16/G/10	—	vite
32	RZR-2/D/20	—	vite
33	RZR-040/160/1426	4	supporto
34	RZR-59/C/10	—	dado
35	RZR-62/H/12	—	rondella
36	RZR-040/160/1301	4	pistone
37	RZR-015/60/057	4	pernetto
38	RZR-2/E/25	—	vite a perno
39	RZR-110/310/6152	3	distanziale
40	RZR-2/C/45	—	vite
41	RZR-110/310/6153	3	sostegno
42	RZR-110/310/6146	1	barretta ferma aghi
43	RZR-110/310/6145	1	barra porta aghi
44	RZR-110/310/6143	1	angolare destro
45	RZR-60/L/12	—	rondella
46	RZR-59/E/12	—	dado
47	RZR-110/310/6148	1	frontura anteriore
48	RZR-110/310/6157	1	cavo
49	RZR-015/60/405	1	perno destro

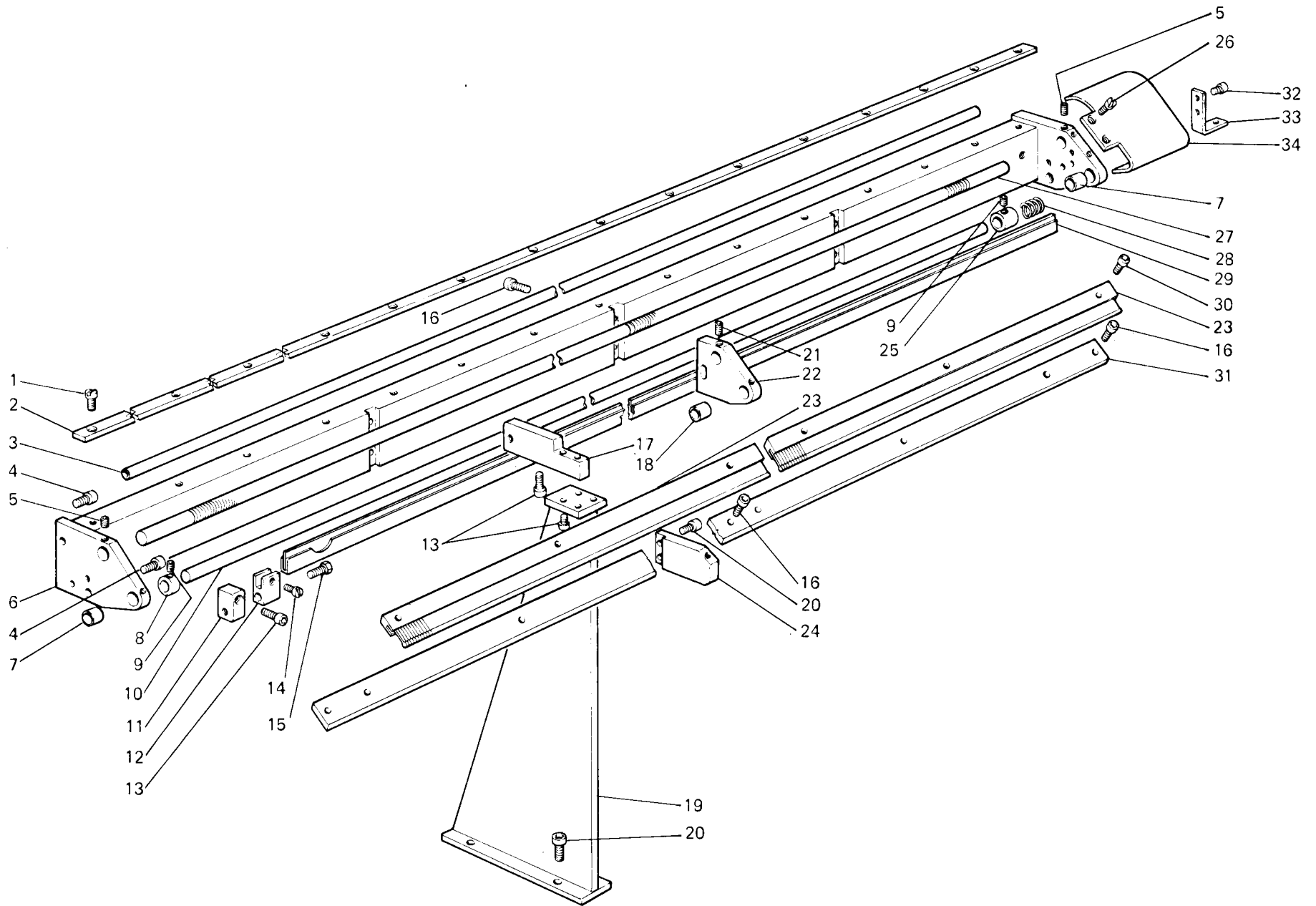


Fig. N.	Particolare N.	Q.tà	Descrizione
1	RZR-1/D/7	—	vite
2	RZR-110/310/6186	1	piattina
3	RZR-110/310/6202	1	tubo
4	RZR-2/D/25	—	vite
5	RZR-3/D/8	—	vite
6	RZR-P110/310/6180	—	traversa
7	RZR-015/60/338	2	bronzina
8	RZR-082/150/2104	1	anello spallamento
9	RZR-22/F/8	—	vite
10	RZR-110/310/6196	1	asta comando arresto
11	RZR-110/310/6201	2	blocchetti
12	RZR-015/60/264	2	cavallotto
13	RZR-2/C/20	—	vite
14	RZR-1/E/5	—	vite
15	RZR-36/F/25	—	vite
16	RZR-2/C/15	—	vite
17	RZR-110/310/6185	3	supporto centrale barra
18	RZR-110/310/6203	3	bronzina
19	RZR-P110/310/6187	1	supporto traversa
20	RZR-2/D/20	—	vite
21	RZR-2/C/8	—	vite
22	RZR-110/310/6184	3	supporto centrale asta
23	RZR-110/310/6490	2	pettine fin. 10
24	RZR-110/310/6204	1	supporto centrale pettine
25	RZR-082/150/2100	1	anello
26	RZR-1/E/8	—	vite
27	RZR-110/310/6191	1	vite divisione fili
28	RZR-082/150/2099	1	molla
29	RZR-G110/310/6192	1	comando arresto automatico
30	RZR-1/G/10	—	vite
31	RZR-110/310/6205	1	asta
32	RZR-2/B/15	—	vite
33	RZR-110/310/6200	1	squadretta
34	RZR-P110/310/6197	1	carterino

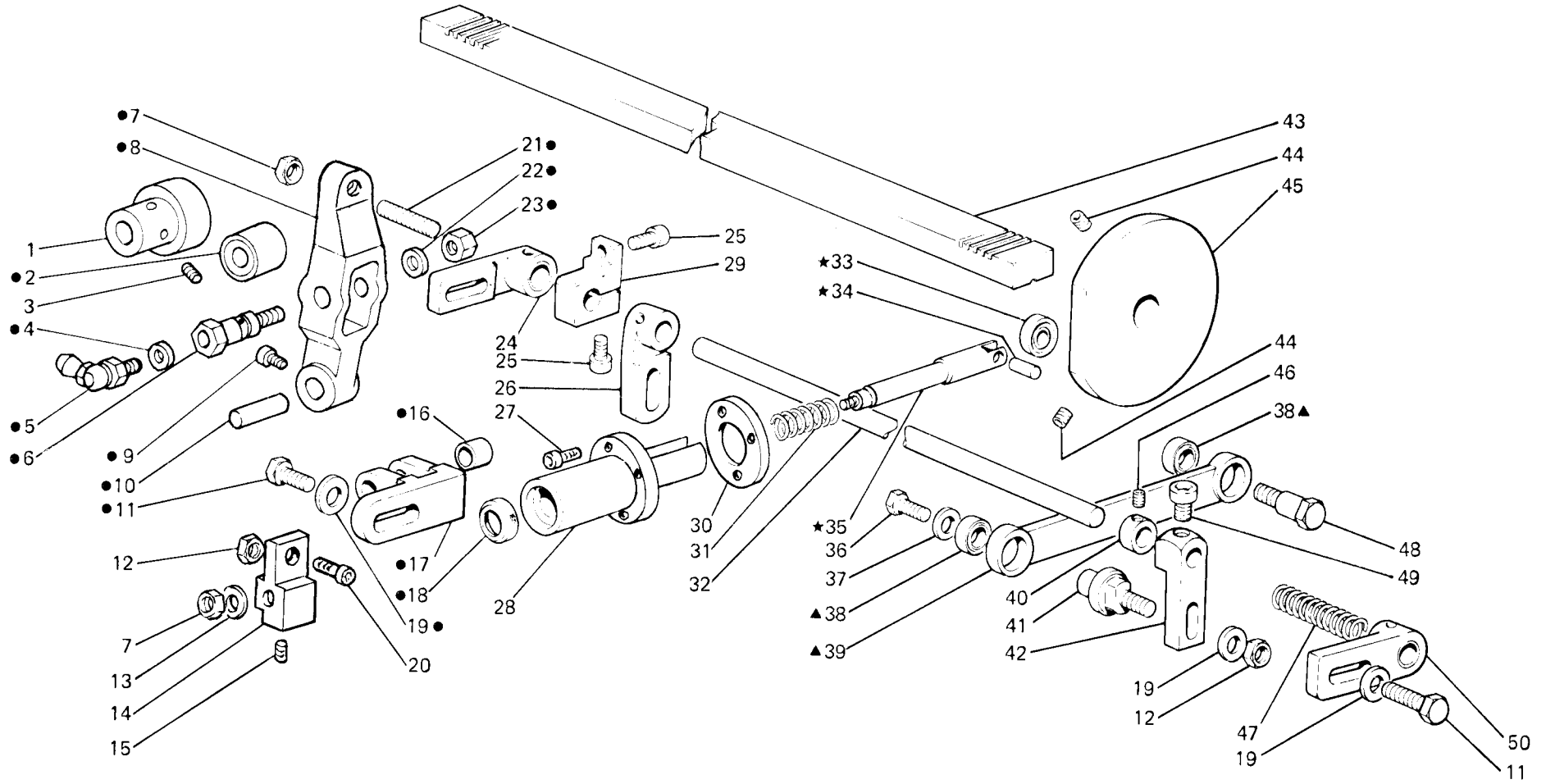


Fig. N.	Particolare N.	Q.tà	Descrizione
●	RZR-G110/310/6232	1	gruppo leva barra passette
★	RZR-G801/15/10056	2	pistone completo
▲	RZR-G015/60/263	2	braccio completo
1	RZR-110/310/6234	1	camma
2	RZR-801/15/10052	1	rotella
3	RZR-3/E/8	—	vite
4	RZR-61/E/8	—	rondella
5	RZR-801/15/10066	1	ingrassatore
6	RZR-P805/15/10527	1	perno
7	RZR-51/L/10	—	dado
8	RZR-110/310/6233	1	leva
9	RZR-2/B/10	—	vite
10	RZR-015/60/174	1	perno
11	RZR-36/G/25	—	vite
12	RZR-51/H/8	—	dado
13	RZR-62/G/10	—	rondella
14	RZR-801/15/10064	2	blocchetto
15	RZR-3/D/10	—	vite
16	RZR-31/C/10	2	astuccio a rullini
17	RZR-110/310/6224	1	supporto leva
18	RZR-12/B/16	2	anello di tenuta
19	RZR-62/F/8	—	rondella
20	RZR-2/D/30	—	vite
21	RZR-801/15/10089	1	vite
22	RZR-62/H/12	—	rondella
23	RZR-51/M/12	—	dado
24	RZR-P135/80/5275	1	supporto sinistro
25	RZR-2/C/15	—	vite
26	RZR-040/160/1380	3	sostegno
27	RZR-2/D/20	—	vite
28	RZR-801/15/10058	2	cannotto
29	RZR-040/160/1411	6	supporto
30	RZR-801/15/10053	2	guarnizione
31	RZR-801/15/10059	2	molla
32	RZR-110/310/6229	1	asta
33	RZR-4/Y/12	2	cuscinetto
34	RZR-801/15/10061	2	perno
35	RZR-801/15/10057	2	pistone
36	RZR-36/E/10	—	vite
37	RZR-14/B/5	—	rondella
38	RZR-015/60/165	2	boccola oscillante
39	RZR-015/60/263	1	braccio di rotazione
40	RZR-082/150/2104	1	anello spallamento
41	RZR-015/60/169	2	perno
42	RZR-110/310/6222	2	leva
43	RZR-110/310/6230	1	barra passette
44	RZR-3/E/10	—	vite
45	RZR-110/310/6235	2	camma

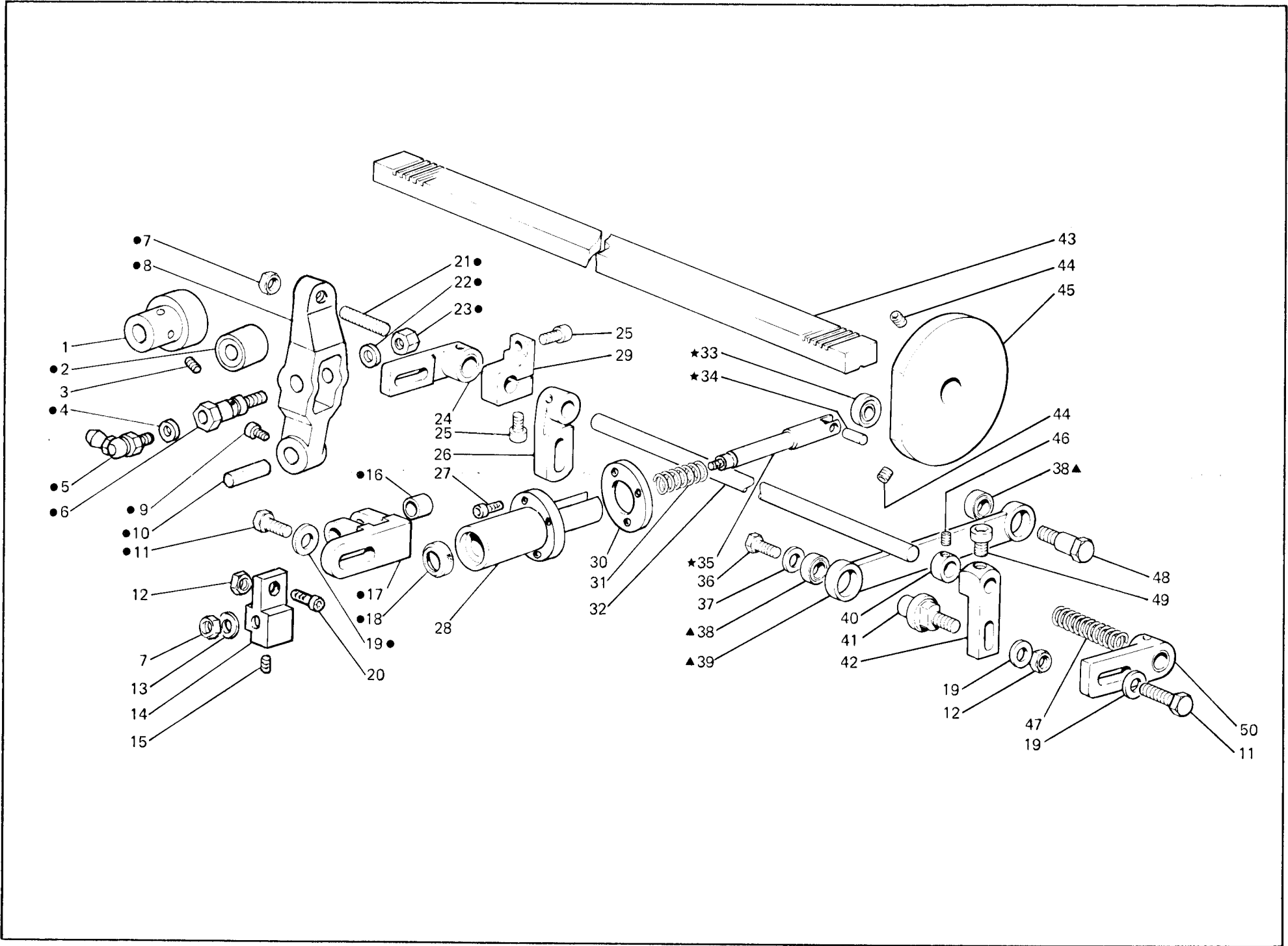
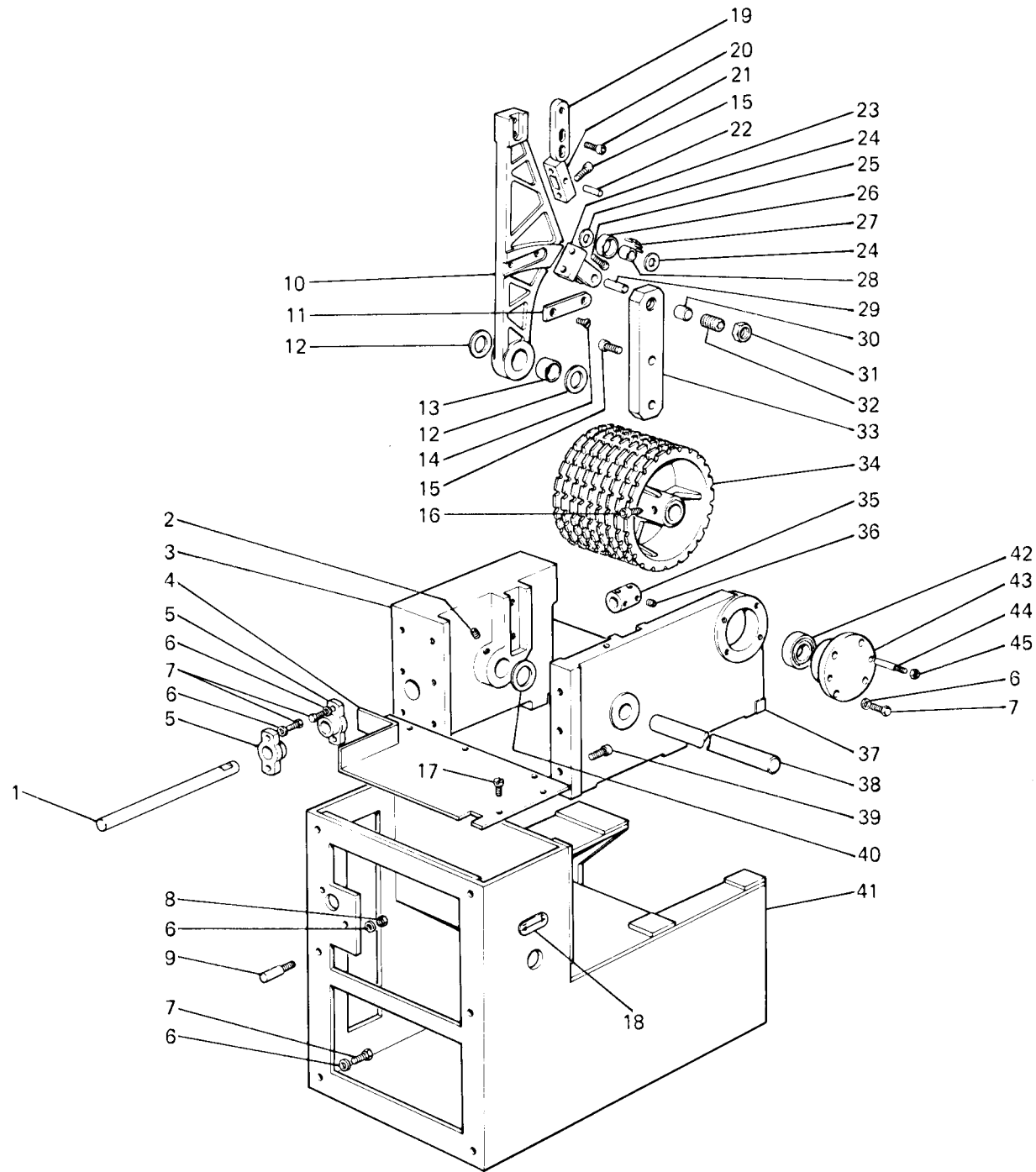


Fig. N.	Particolare N.	Q.tà	Descrizione
46	RZR-16/G/16	-	vite
47	RZR-120/ 51043	1	molla
48	RZR-40/C/8	1	vite a perno
49	RZR-2/D/15	-	vite
50	RZR-P135/80/5276	1	supporto destro



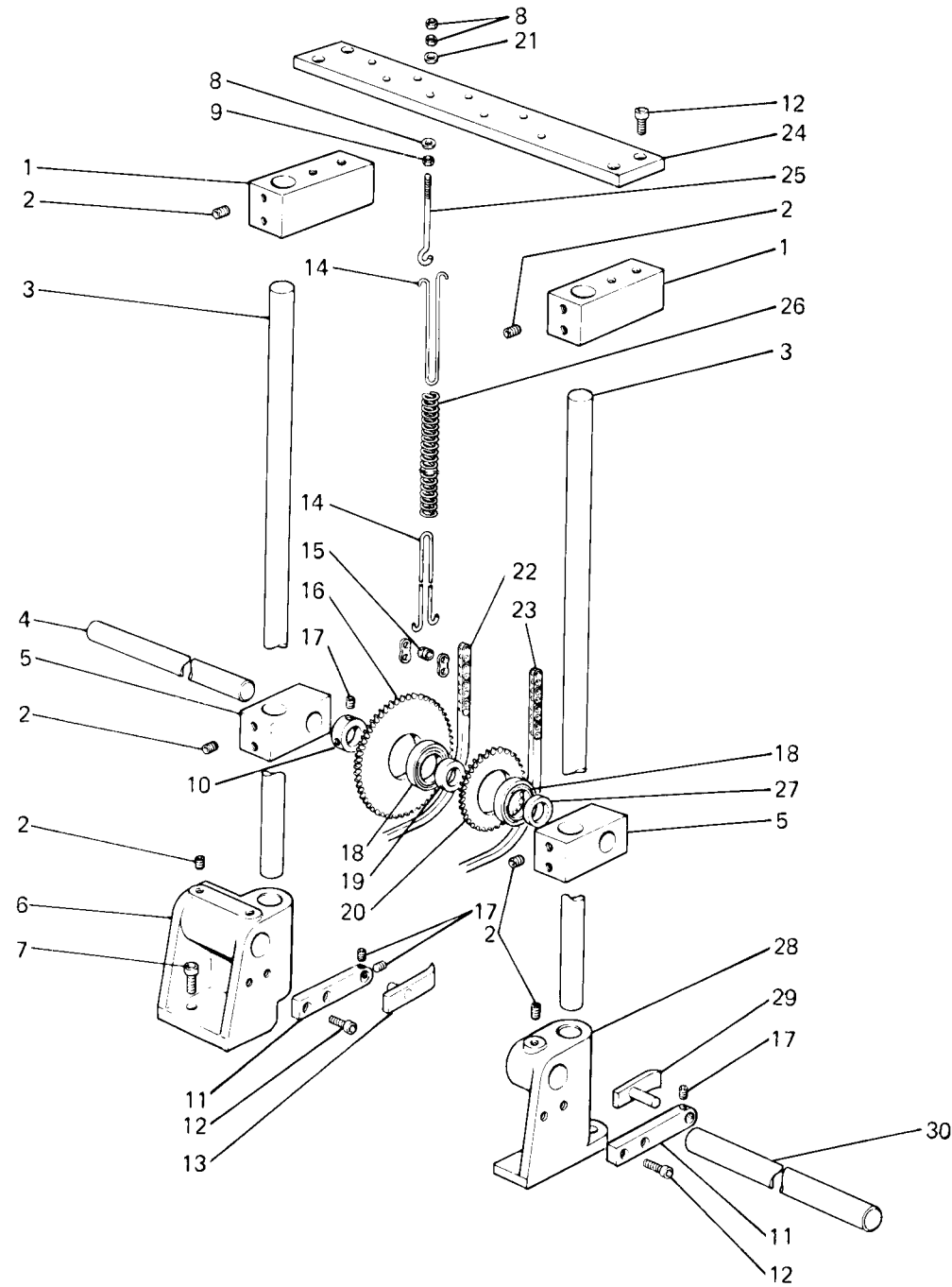


Fig. N.	Particolare N.	Q.tá	Descrizione
1	RZR-110/310/6293	2	supporto piastre
2	RZR-3/D/10	—	vite
3	RZR-110/310/6280	2	piantana
4	RZR-110/310/6287	1	albero
5	RZR-110/310/6288	2	supporto alberi
6	RZR-110/310/6279	1	supporto posteriore
7	RZR-2/D/20	—	vite
8	RZR-51/G/6	—	rondella
9	RZR-62/R/6	—	dado
10	RZR-015/60/271	1	anello
11	RZR-110/310/6300	2	supporto settori
12	RZR-2/D/15	—	vite
13	RZR-P110/310/6285	1	settore posteriore
14	RZR-110/310/6298	16	asta tendimolla
15	RZR-110/310/6295	8	rullino
16	RZR-110/310/6290	4	ingranaggio
17	RZR-3/D/8	—	vite
18	RZR-4/H/20	8	cuscinetto radiale
19	RZR-110/310/6291	7	distanziale per ingranaggi
20	RZR-110/310/6289	4	ingranaggio
21	RZR-62/D/6	—	rondella
22	RZR-110/310/6304	4	catena
23	RZR-110/310/6303	4	catena
24	RZR-110/310/6294	1	piastra
25	RZR-110/310/6299	8	ganci
26	RZR-110/310/6296	8	molla
27	RZR-110/310/6292	1	distanziale 1° ingranaggio
28	RZR-110/310/6278	1	supporto anteriore
29	RZR-P110/310/6282	1	settore anteriore
30	RZR-110/310/6281	1	perno

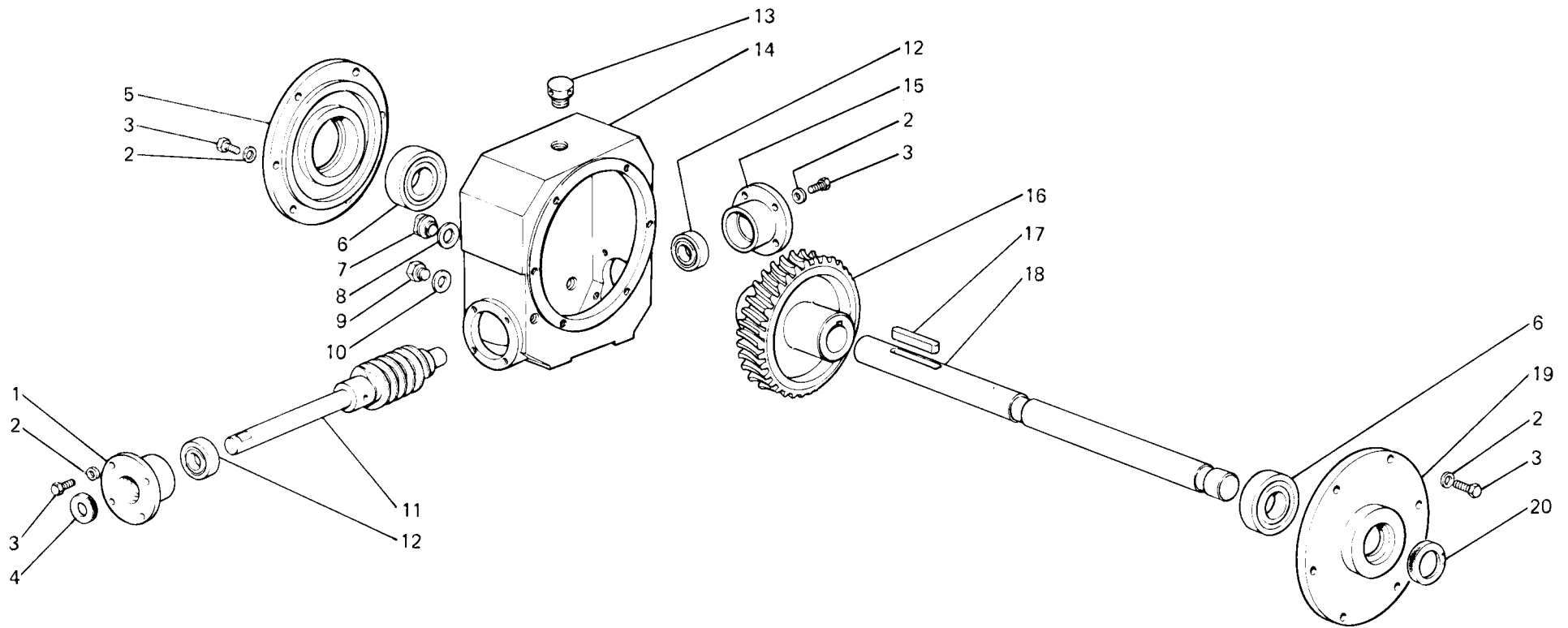


Fig. N.	Particolare N.	Q.tà	Descrizione
-	RZR-110/310/6254	1	riduttore completo
1	RZR-082/150/2114	1	copricuscinetto forato
2	RZR-62/D/6	-	rondella
3	RZR-36/F/20	-	vite
4	RZR-12/D/20	1	anello di tenuta
5	RZR-082/150/2111	1	coperchio cieco
6	RZR-4/N/30	2	cuscinetto
7	RZR-082/150/2020	1	spia olio
8	RZR-125/80/4913	1	rondella guarnizione
9	RZR-015/60/139	1	tappo scarico olio
10	RZR-58/F/16	1	rondella
11	RZR-P110/310/6256	1	vite senza fine
12	RZR-4/H/20	2	cuscinetto
13	RZR-015/60/138	1	tappo carico olio
14	RZR-082/150/2110	1	scatola riduttore
15	RZR-082/150/2113	1	copricuscinetto cieco
16	RZR-082/150/2118	1	ruota elicoidale
17	RZR-10/H/50	1	chiavetta
18	RZR-110/310/6255	1	albero
19	RZR-082/150/2112	1	coperchio forato
20	RZR-12/G/30	1	anello di tenuta

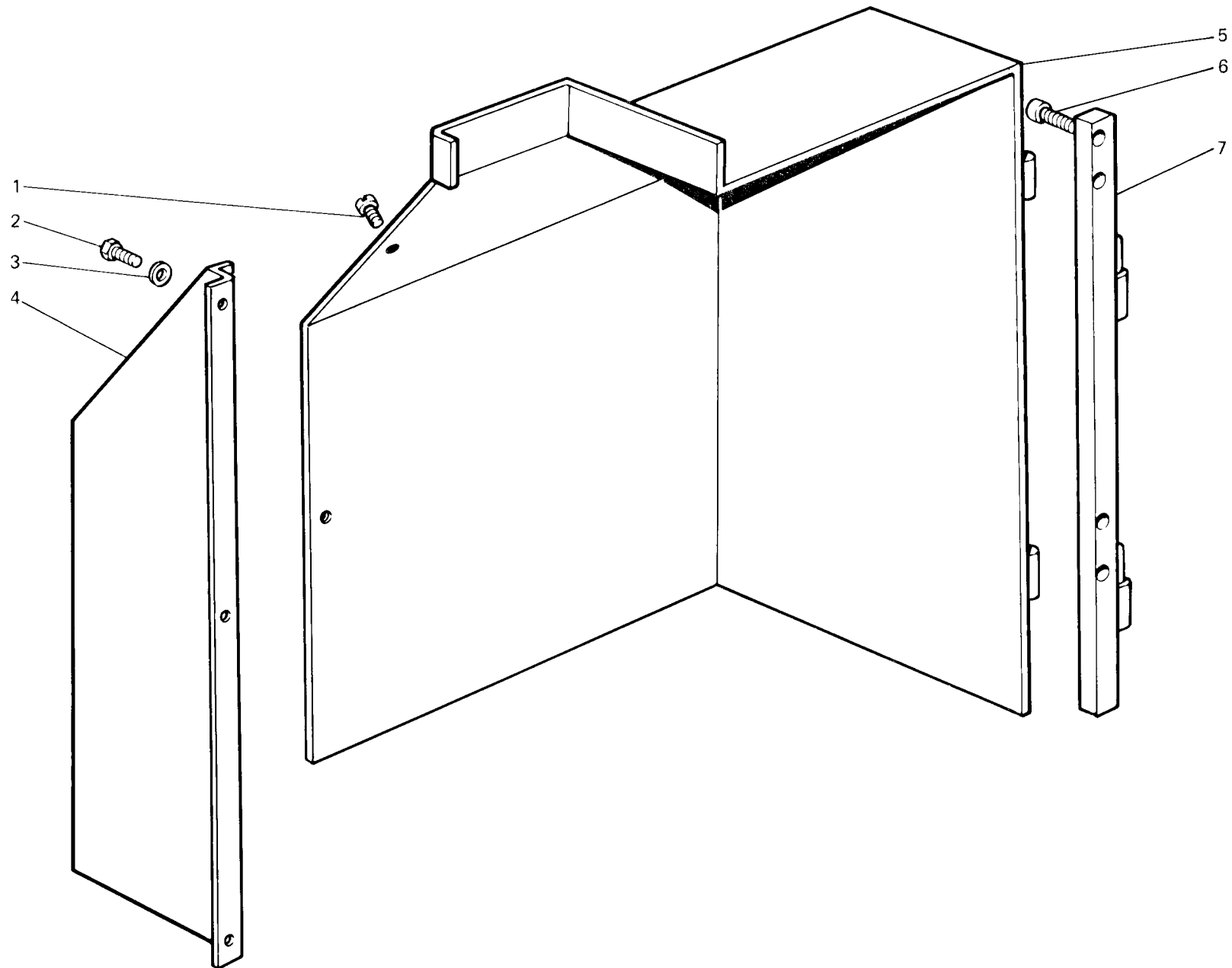


Fig. N.	Particolare N.	Q.tà	Descrizione
1	RZR-1/G/10	-	vite
2	RZR-36/F/10	-	vite
3	RZR-62/D/6	-	rondella
4	RZR-110/310/6276	1	carter fisso
5	RZR-P110/310/6274	1	carter motori
6	RZR-2/C/25	-	vite
7	RZR-P110/310/6306	1	asta

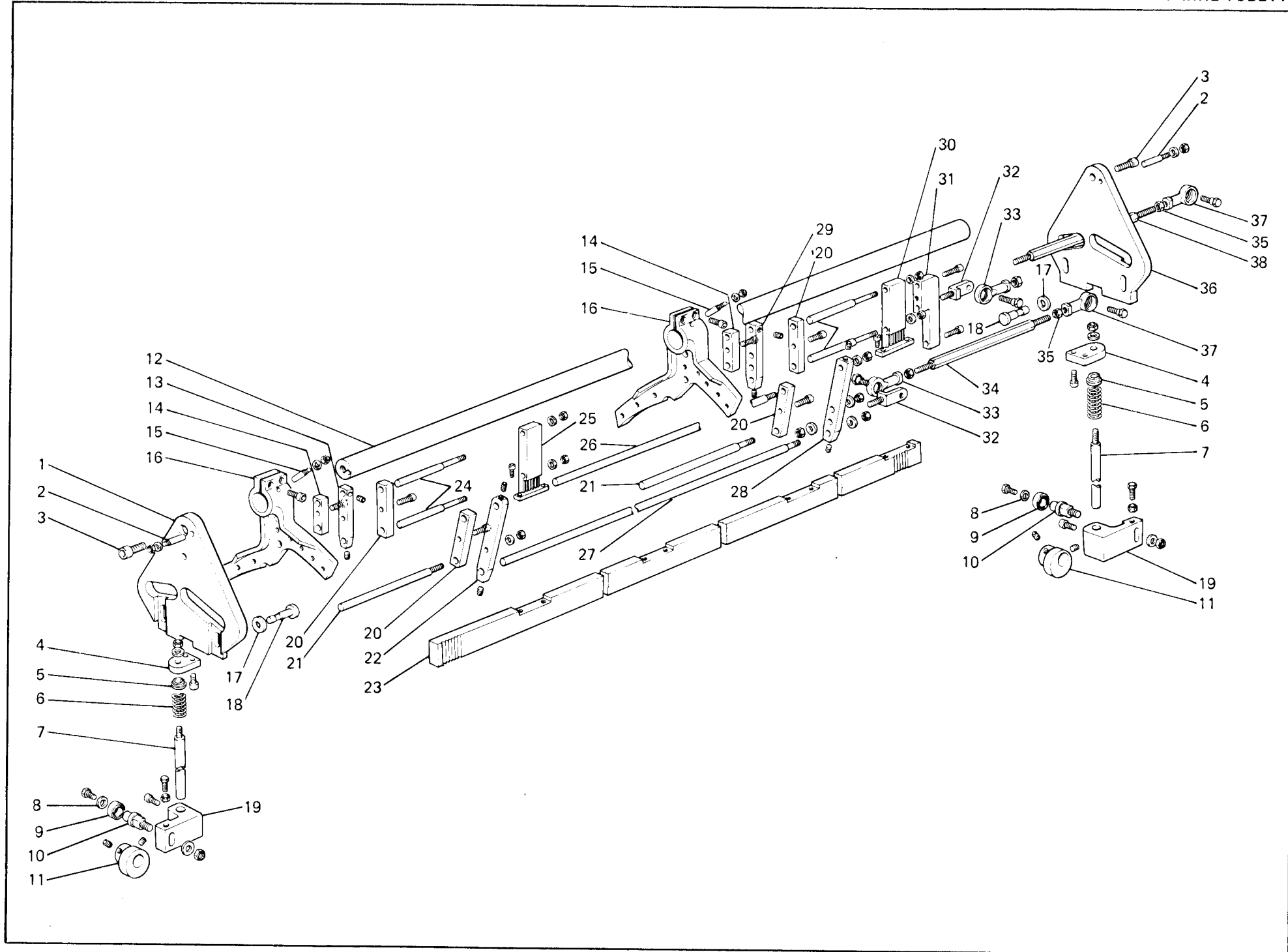


Fig. N.	Particolare N.	Q.tà	Descrizione
1	RZR-110/310/6338	1	piastra sinistra
2	RZR-110/310/6261	2	spinotto
3	RZR-2/G/25	2	vite
4	RZR-110/310/6335	2	blocchetto
5	RZR-110/310/6336	2	rondella speciale
6	RZR-120/51034	2	molla
7	RZR-110/310/6334	2	perno
8	RZR-60/B/5	2	rondella
9	RZR-5/D/15	2	cuscinetto radiale
10	RZR-110/310/6332	2	perno
11	RZR-110/310/6331	2	camma
12	RZR-P110/310/6341	1	tubo
13	RZR-110/310/6355	3	sostegno
14	RZR-P110/310/6348	4	blocchetto 4 ^a barra
15	RZR-110/310/6261	4	spina
16	RZR-110/310/6344	4	supporto barre
17	RZR-110/310/6340	4	anello rasamento
18	RZR-110/310/6339	4	perno
19	RZR-110/310/6333	2	supporto
20	RZR-P110/310/6345	28	blocchetti guida 4 ^a barra
21	RZR-110/310/6358	20	perni guida barre tonde
22	RZR-110/310/6354	12	sostegno centrale 5 ^a 6 ^a 7 ^a 8 ^a barre tonde
23	RZR-110/310/6353	3	barra tubetti
24	RZR-110/310/6352	24	perno guida barre fresate
25	RZR-110/310/6350	9	pettine centrale barre fresate
26	RZR-110/310/6360	5	asta guida barre superiori
27	RZR-110/310/6359	5	barra porta tubetti tondi
28	RZR-110/310/6356	4	sostegno collegamento bielle 5 ^a 6 ^a 7 ^a 8 ^a barre tonde
29	RZR-110/310/6357	1	sostegno collegamento bielle 4 ^a barra tonda
30	RZR-110/310/6351	3	pettine collegamento bielle
31	RZR-110/310/6361	3	rinforzo collegamento bielle 1 ^a 2 ^a 3 ^a barra
32	RZR-110/310/6362	8	blocchetto
33	RZR-P015/60/7714	8	testa biella filetto destro
34	RZR-110/310/6364	5	braccio biella 4 ^a 5 ^a 6 ^a 7 ^a 8 ^a barra
35	RZR-015/60/7717	8	dadi filetto sinistro
36	RZR-110/310/6337	1	piastra destra
37	RZR-P015/60/7715	8	testa di biella filetto sinistro
38	RZR-110/310/6363	3	braccio biella 1 ^a 2 ^a 3 ^a barra
39	RZR-62/C/5	—	rondella
40	RZR-51/F/5	—	dado
41	RZR-51/L/10	—	dado
42	RZR-62/G/10	—	rondella
43	RZR-36/E/25	—	vite
44	RZR-2/D/15	—	vite
45	RZR-36/E/10	—	vite
46	RZR-3/E/10	—	vite
47	RZR-2/D/25	—	vite

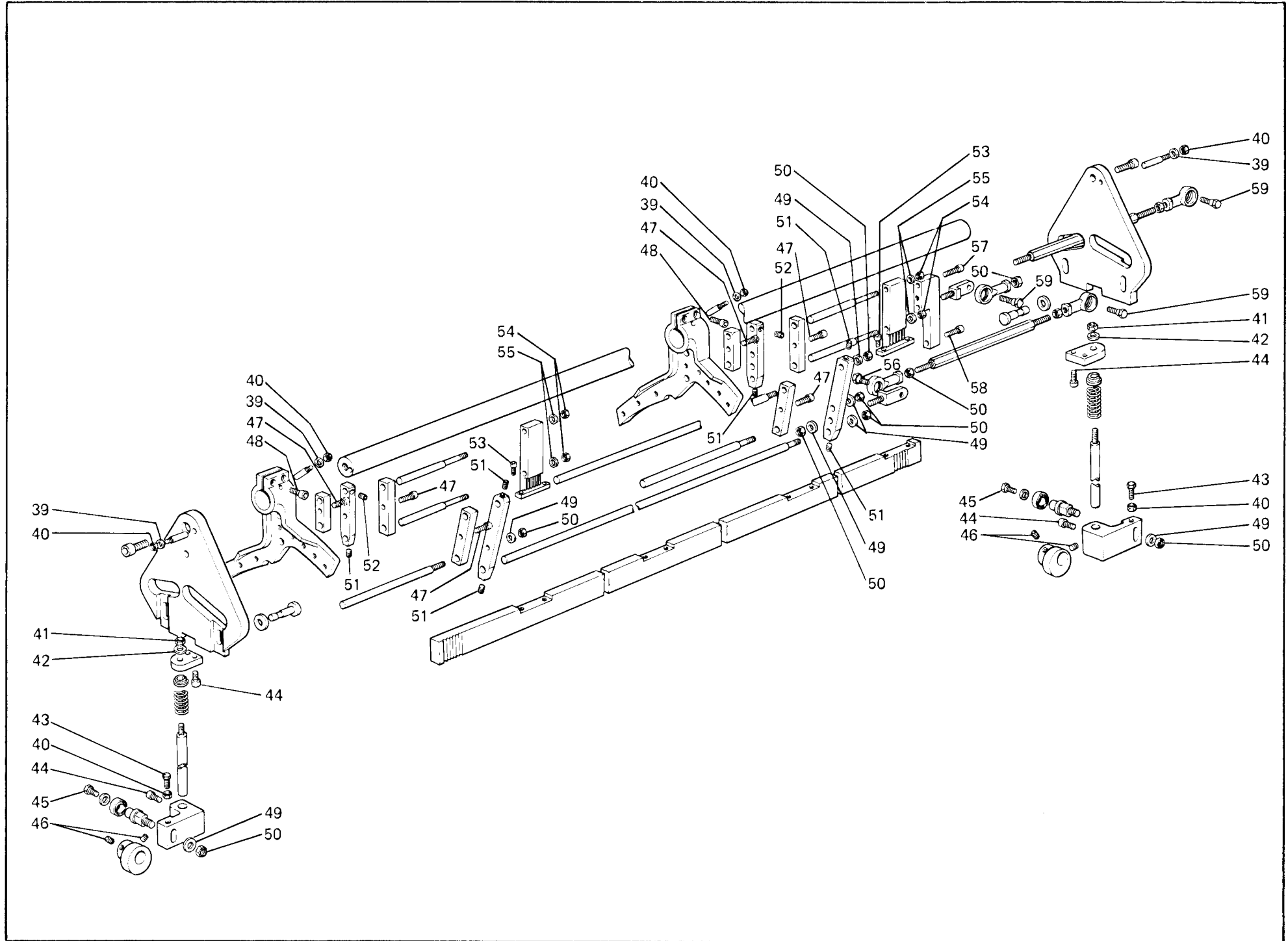


Fig. N.	Particolare N.	Q.tá	Descrizione
48	RZR-2/D/20	-	vite
49	RZR-62/F/8	-	rondella
50	RZR-51/H/8	-	dado
51	RZR-3/D/8	-	vite
52	RZR-3/D/6	-	vite
53	RZR-2/A/10	-	vite
54	RZR-51/G/6	-	dado
55	RZR-62/D/6	-	rondella
56	RZR-40/H/10	4	perno collegamento (interno) biella 5 ^a 6 ^a 7 ^a 8 ^a barra
57	RZR-2/C/35	-	vite
58	RZR-2/C/20	-	vite
59	RZR-40/R/10	12	perno collegamento biella 1 ^a 2 ^a 3 ^a 4 ^a 5 ^a 6 ^a 7 ^a 8 ^a barra

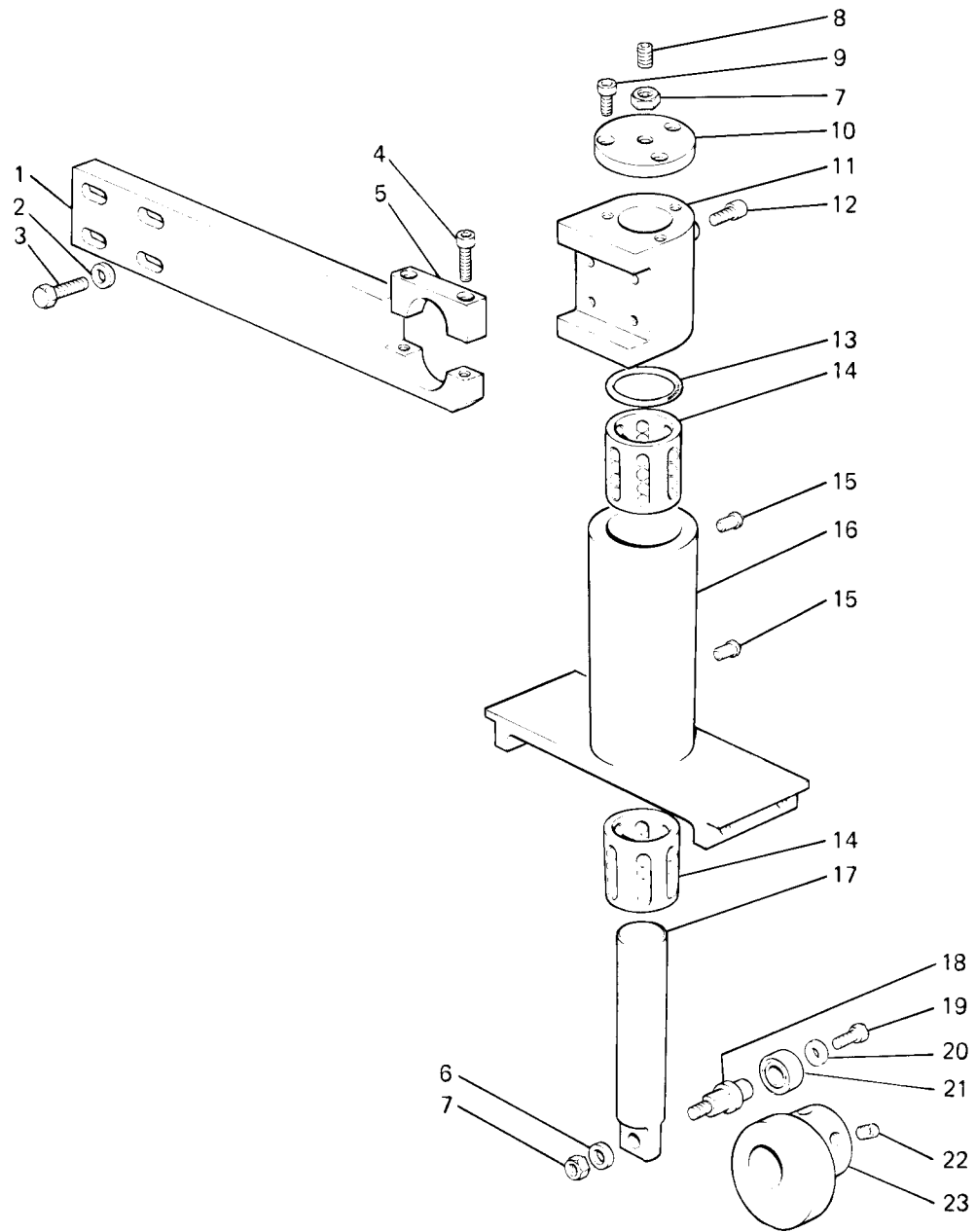


Fig. N.	Particolare N.	Q.tà	Descrizione
1	RZR-110/310/6371	2	traversa
2	RZR-62/F/8	—	rondella
3	RZR-36/G/25	—	vite
4	RZR-2/D/30	—	vite
5	RZR-110/310/6372	2	staffa
6	RZR-62/G/10	—	rondella
7	RZR-51/L/10	—	dado
8	RZR-3/E/30	—	vite
9	RZR-2/C/15	—	vite
10	RZR-110/310/6369	2	coperchio
11	RZR-110/310/6368	2	supporto
12	RZR-2/E/25	—	vite
13	RZR-12/L/40	2	anello di tenuta
14	RZR-30/G/40	4	bussola a sfere
15	RZR-135/80/5222	2	oliatore
16	RZR-110/310/6365	2	guida per albero
17	RZR-110/310/6367	2	albero
18	RZR-110/310/6332	2	perno
19	RZR-36/E/10	—	vite
20	RZR-60/B/5	2	rondella
21	RZR-5/D/15	2	cuscinetto radiale
22	RZR-3/E/10	—	vite
23	RZR-110/310/6330	2	camma

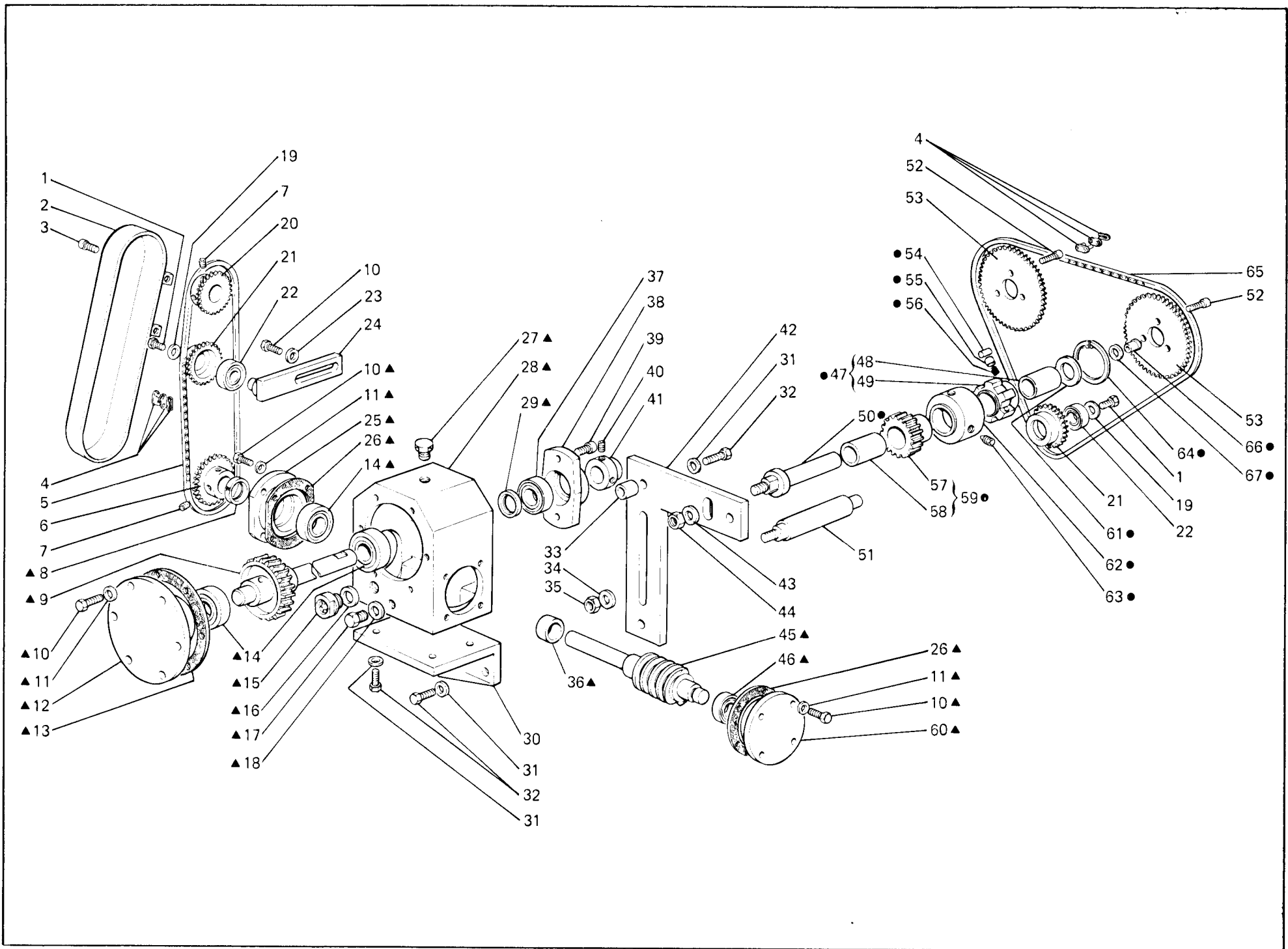


Fig. N.	Particolare N.	Q.tà	Descrizione
▲	RZR-G110/310/6410	1	riduttore completo
●	RZR-G110/310/6418	1	scatto completo
1	RZR-36/F/10	—	vite
2	RZR-P110/310/6406	1	carter
3	RZR-2/C/14	—	vite
4	RZR-G035/60/846	2	giunto catena
5	RZR-110/310/6461	1	catena
6	RZR-110/310/6401	1	ingranaggio condotto
7	RZR-3/D/8	—	vite
8	RZR-12/D/20	1	anello di tenuta
9	RZR-P110/310/6411	1	ruota elicoidale
10	RZR-36/F/15	—	vite
11	RZR-14/C/6	14	rondella speciale
12	RZR-135/80/5142	1	copricuscinetto laterale
13	RZR-801/15/10049	1	guarnizione
14	RZR-4/H/20	3	cuscinetto
15	RZR-082/150/2020	1	livello olio
16	RZR-56/F/16	1	rondella
17	RZR-015/60/139	1	tappo scarico olio
18	RZR-125/80/4913	1	rondella
19	RZR-60/E/6	1	rondella speciale
20	RZR-110/310/6400	1	ingranaggio conduttore
21	RZR-135/80/5156	2	ingranaggio tendicatena
22	RZR-4/D/10	2	cuscinetto radiale
23	RZR-62/D/6	—	rondella
24	RZR-P110/310/6402	1	piastra
25	RZR-135/80/5145	1	copricuscinetto anteriore
26	RZR-801/15/10044	2	guarnizione
27	RZR-015/60/138	1	tappo carico olio
28	RZR-135/80/5141	1	scatola riduttore
29	RZR-12/D/20	1	anello di tenuta
30	RZR-P110/310/6415	1	supporto
31	RZR-62/F/8	—	rondella
32	RZR-36/G/25	—	vite
33	RZR-110/310/6460	3	distanziale
34	RZR-62/G/10	—	rondella
35	RZR-51/L/10	—	dado
36	RZR-135/80/5148	1	anello distanziale
37	RZR-4/R/20	1	cuscinetto radiale
38	RZR-015/60/083	1	supporto
39	RZR-2/D/15	—	vite
40	RZR-3/D/15	—	vite
41	RZR-110/310/6417	1	bussola
42	RZR-P110/310/6428	1	supporto
43	RZR-62/H/12	—	rondella
44	RZR-51/M/12	—	dado
45	RZR-110/310/6414	1	vite senza fine
46	RZR-4/G/15	1	cuscinetto posteriore

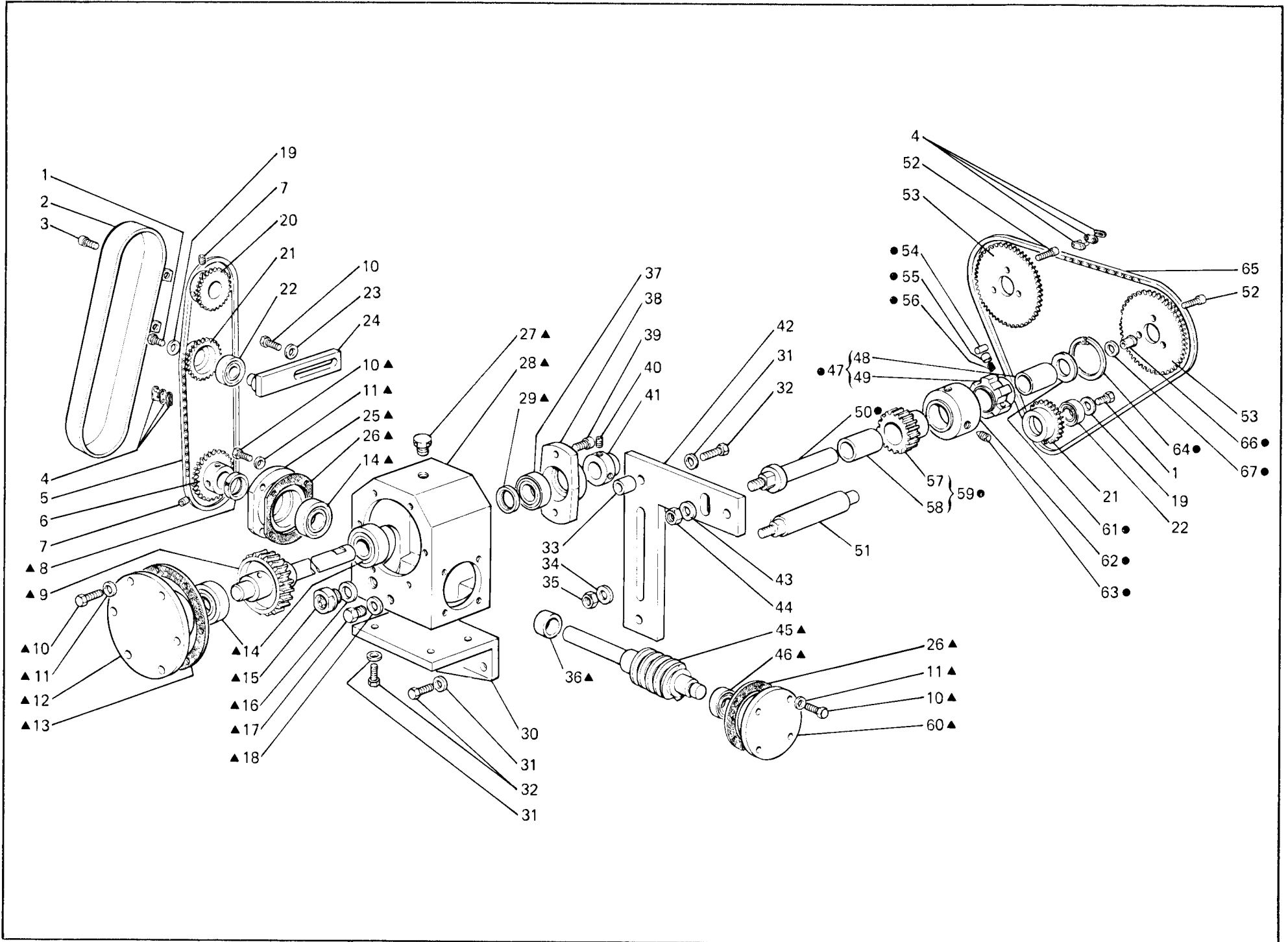


Fig. N.	Particolare N.	Q.tà	Descrizione
47	RZR-P110/310/6423	1	interno scatto completo
48	RZR-110/310/6422	1	bronzina
49	RZR-110/310/6424	1	interno scatto
50	RZR-110/310/6419	1	perno centrale
51	RZR-110/310/6427	1	perno tendicatena
52	RZR-2/B/14	—	vite
53	RZR-110/310/6450	1	corona Z 16
53	RZR-110/310/6451	1	corona Z 18
53	RZR-110/310/6452	1	corona Z 20
53	RZR-110/310/6453	1	corona Z 22
53	RZR-110/310/6454	2	corona Z 24
53	RZR-110/310/6455	1	corona Z 26
53	RZR-110/310/6456	1	corona Z 28
53	RZR-110/310/6457	1	corona Z 30
54	RZR-015/80/4638	6	rullino
55	RZR-015/60/046	6	coprimolletta
56	RZR-015/60/047	6	molletta
57	RZR-110/310/6421	1	pignone
58	RZR-110/310/6422	1	bronzina
59	RZR-P110/310/6420	1	pignone completo
60	RZR-135/80/5144	1	copricuscinetto posteriore
61	RZR-60/U/37	1	rondella speciale
62	RZR-110/310/6425	1	boccola esterna
63	RZR-21/D/15	—	vite
64	RZR-18/P/50	1	anello di fermo
65	RZR-110/310/6462	1	catena
66	RZR-110/310/6426	1	ingrassatore
67	RZR-60/F/8	1	rondella spallamento

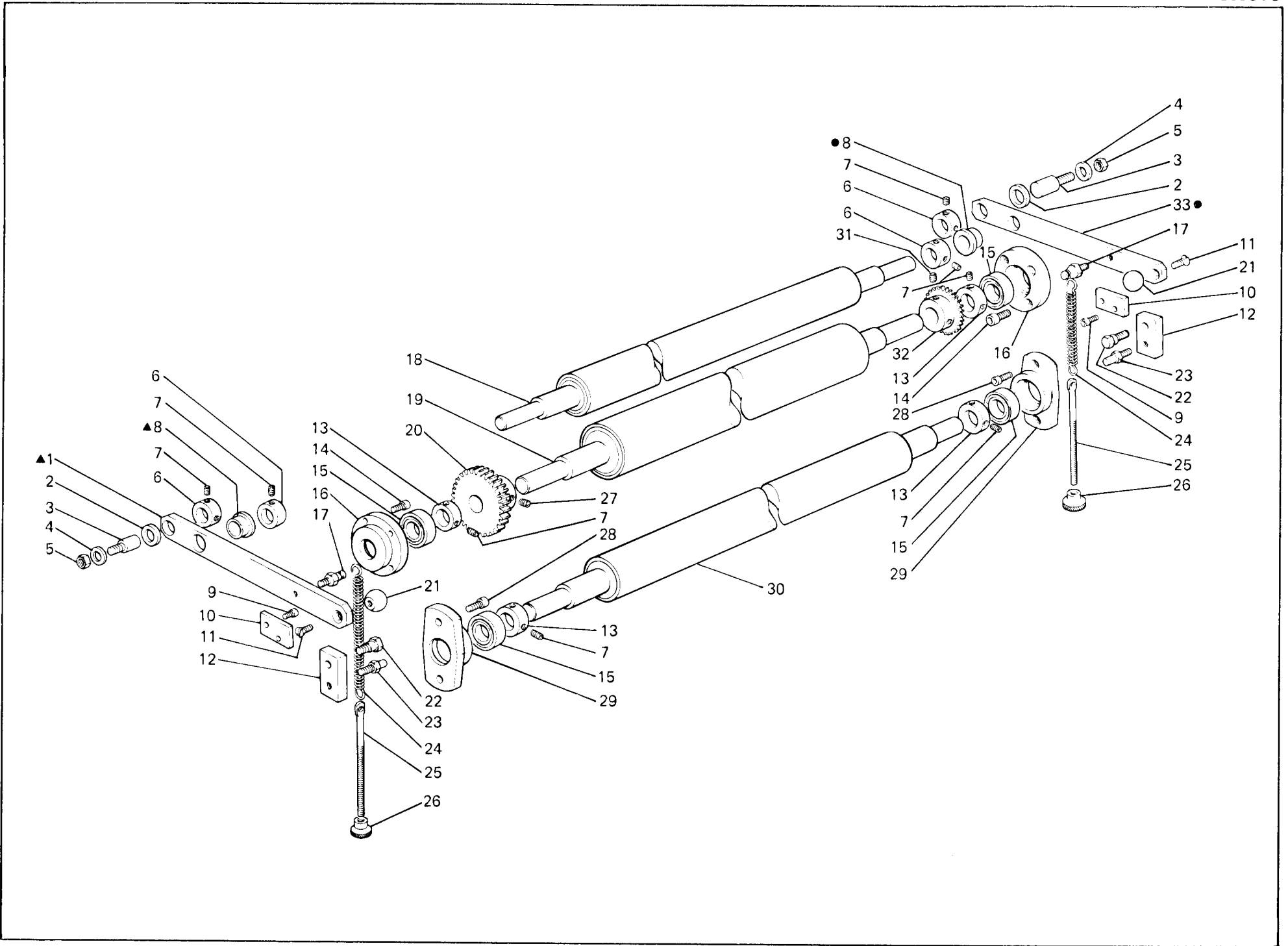


Fig. N.	Particolare N.	Q.tà	Descrizione
●	RZR-P110/310/6439	1	leva destra con bronzina
▲	RZR-P110/310/6442	1	leva sinistra con bronzina
1	RZR-110/310/6440	1	leva sinistra
2	RZR-135/80/5191	2	distanziale
3	RZR-110/310/6443	2	perno
4	RZR-62/G/10	—	rondella
5	RZR-51/L/10	—	dado
6	RZR-015/60/271	3	anello spallamento
7	RZR-3/D/8	—	vite
8	RZR-110/310/6441	2	bronzina
9	RZR-2/B/10	—	vite
10	RZR-015/60/8689	2	piastrina
11	RZR-26/L/25	—	vite
12	RZR-110/310/6444	2	blocchetto
13	RZR-082/150/2041	4	anello spallamento
14	RZR-2/C/15	—	vite
15	RZR-4/L/25	4	cuscinetto radiale
16	RZR-110/310/6430	2	copricuscinetto
17	RZR-015/60/232	2	perno
18	RZR-P110/310/6435	1	rullo superiore
19	RZR-P110/310/6431	1	rullo inferiore
20	RZR-110/310/6429	1	ingranaggio
21	RZR-015/60/249	2	pomolo
22	RZR-40/S/8	2	vite
23	RZR-015/60/223	2	pernetto
24	RZR-015/60/230	2	molla
25	RZR-015/60/248	2	tenditore
26	RZR-015/60/247	2	pomello
27	RZR-3/E/10	—	vite
28	RZR-2/D/15	—	vite
29	RZR-110/310/6445	2	supporto cuscinetto
30	RZR-P110/310/6446	1	rullo rinvio tessuto
31	RZR-2/E/10	—	vite
32	RZR-110/310/6568	1	ingranaggio
33	RZR-110/310/6440	1	leva destra

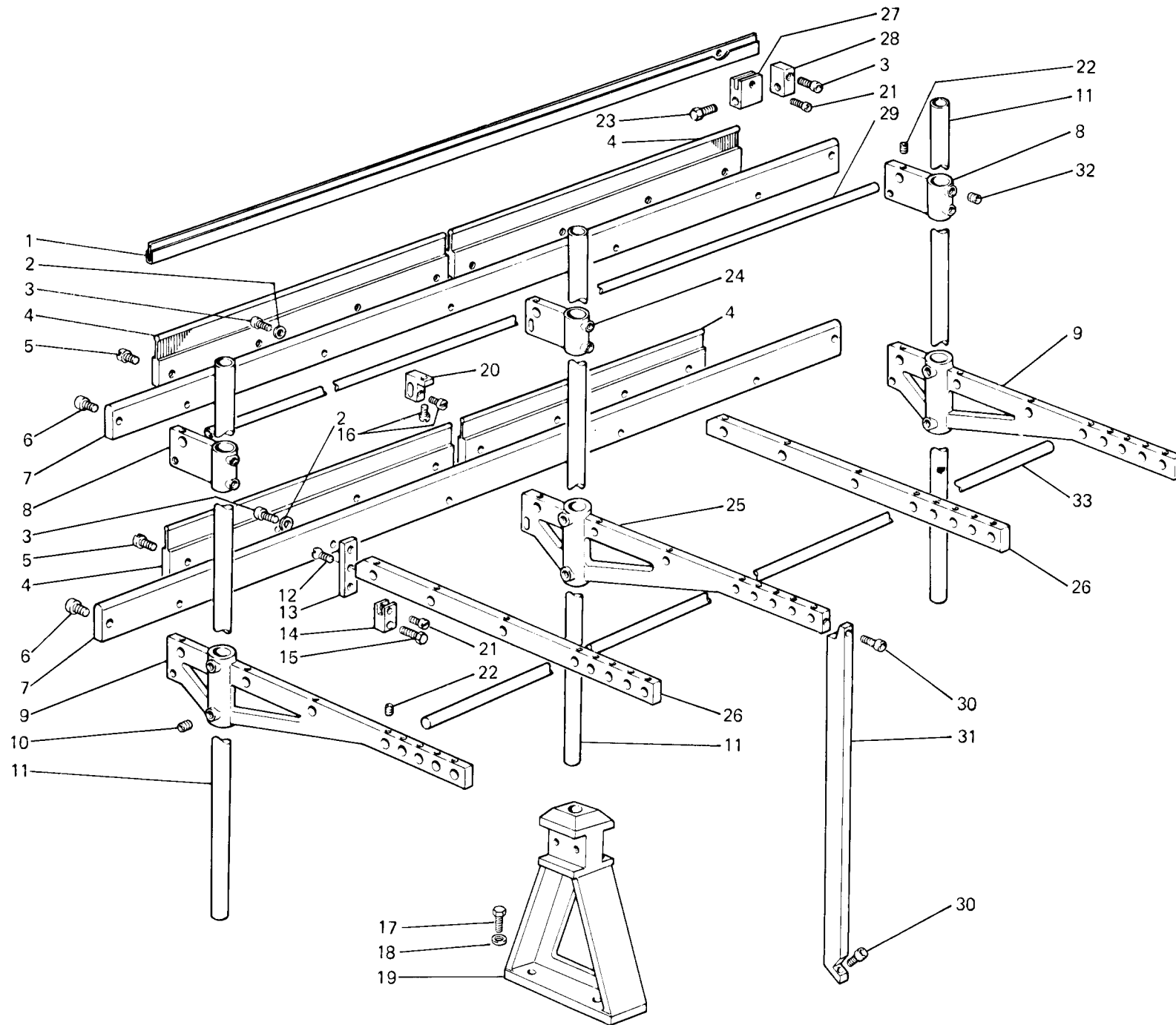


Fig. N.	Particolare N.	Q.tà	Descrizione
1	RZR-G110/310/6495	2	comando arresto automatico
2	RZR-62/D/6	—	rondella
3	RZR-2/C/20	—	vite
4	RZR-110/310/6491	4	pettine finezza 5
5	RZR-1/G/10	—	vite
6	RZR-2/C/15	—	vite
7	RZR-110/310/6489	2	asta per pettine
8	RZR-110/310/6485	2	supporto laterale pettine
9	RZR-110/310/6482	2	supporto laterale aste
10	RZR-2/D/10	—	vite
11	RZR-110/310/6480	3	piantana
12	RZR-26/F/10	—	vite
13	RZR-110/310/6492	2	piattina
14	RZR-110/310/6493	2	cavallotto centrale pettine inferiore
15	RZR-36/F/15	—	vite
16	RZR-1/E/10	—	vite
17	RZR-36/G/20	—	vite
18	RZR-62/F/8	—	rondella
19	RZR-110/310/6114	1	supporto centrale
20	RZR-110/310/6494	2	cavallotto centrale pettine superiore
21	RZR-1/E/5	—	vite
22	RZR-16/G/6	—	vite
23	RZR-36/F/25	—	vite
24	RZR-110/310/6484	1	supporto centrale pettine
25	RZR-110/310/6481	1	supporto centrale aste
26	RZR-110/310/6483	2	piatto rinforzo aste
27	RZR-015/60/264	4	cavallotto arresto
28	RZR-110/310/6201	4	blocchetto per cavallotto
29	RZR-110/310/6486	1	asta
30	RZR-2/B/15	—	vite
31	RZR-110/310/6488	1	asta rinforzo
32	RZR-3/D/10	—	vite
33	RZR-110/310/6487	8	asta rinvio fili

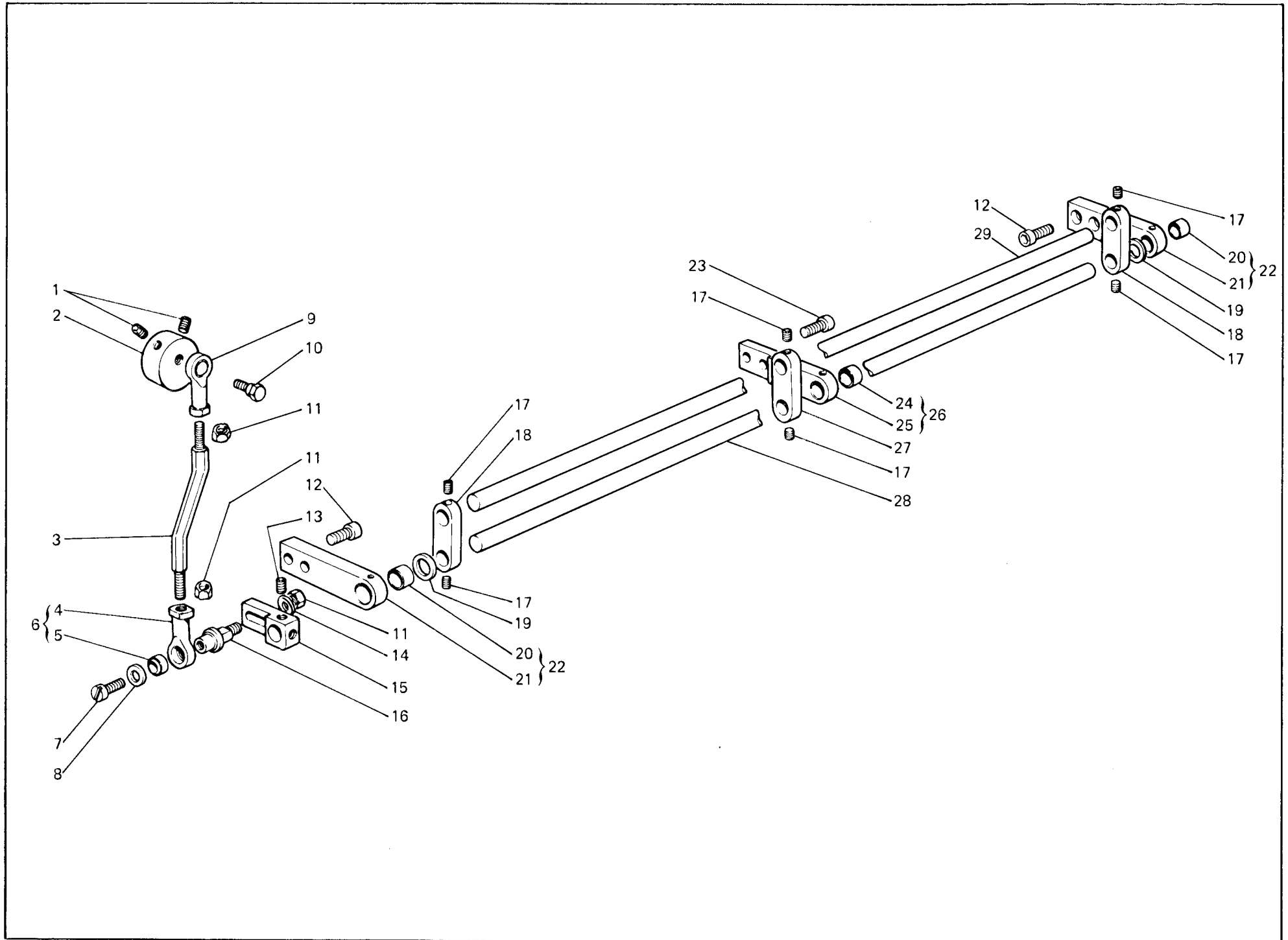


Fig. N.	Particolare N.	Q.tà	Descrizione
1	RZR-3/D/10	—	vite
2	RZR-110/310/6505	1	eccentrico
3	RZR-110/310/6506	1	braccio di biella
4	RZR-015/60/7714	1	testa biella destra
5	RZR-015/60/165	1	boccola oscillante
6	RZR-P015/60/7714	1	testa biella destra completa
7	RZR-36/E/10	—	vite
8	RZR-62/C/5	—	rondella
9	RZR-33/C/8	1	snodo
10	RZR-40/B/14	1	vite a perno
11	RZR-51/H/8	—	dado
12	RZR-2/D/15	—	vite
13	RZR-3/D/6	—	vite
14	RZR-62/F/8	—	rondella
15	RZR-110/310/6512	1	levetta
16	RZR-015/60/169	1	perno
17	RZR-3/D/8	—	vite
18	RZR-110/310/6528	2	bielletta laterale
19	RZR-58/F/16	2	rondella in fibra
20	RZR-015/60/338	2	bronzina
21	RZR-110/310/6508	2	supporto
22	RZR-P110/310/6509	2	supporto sinistro o destro con bronzina
23	RZR-36/G/15	—	vite
24	RZR-110/310/6203	1	bronzina
25	RZR-110/310/6511	1	supporto centrale
26	RZR-P110/310/6510	1	supporto centrale con bronzina
27	RZR-110/310/6515	2	bielletta centrale
28	RZR-110/310/6513	1	asta inferiore
29	RZR-110/310/6514	1	asta superiore

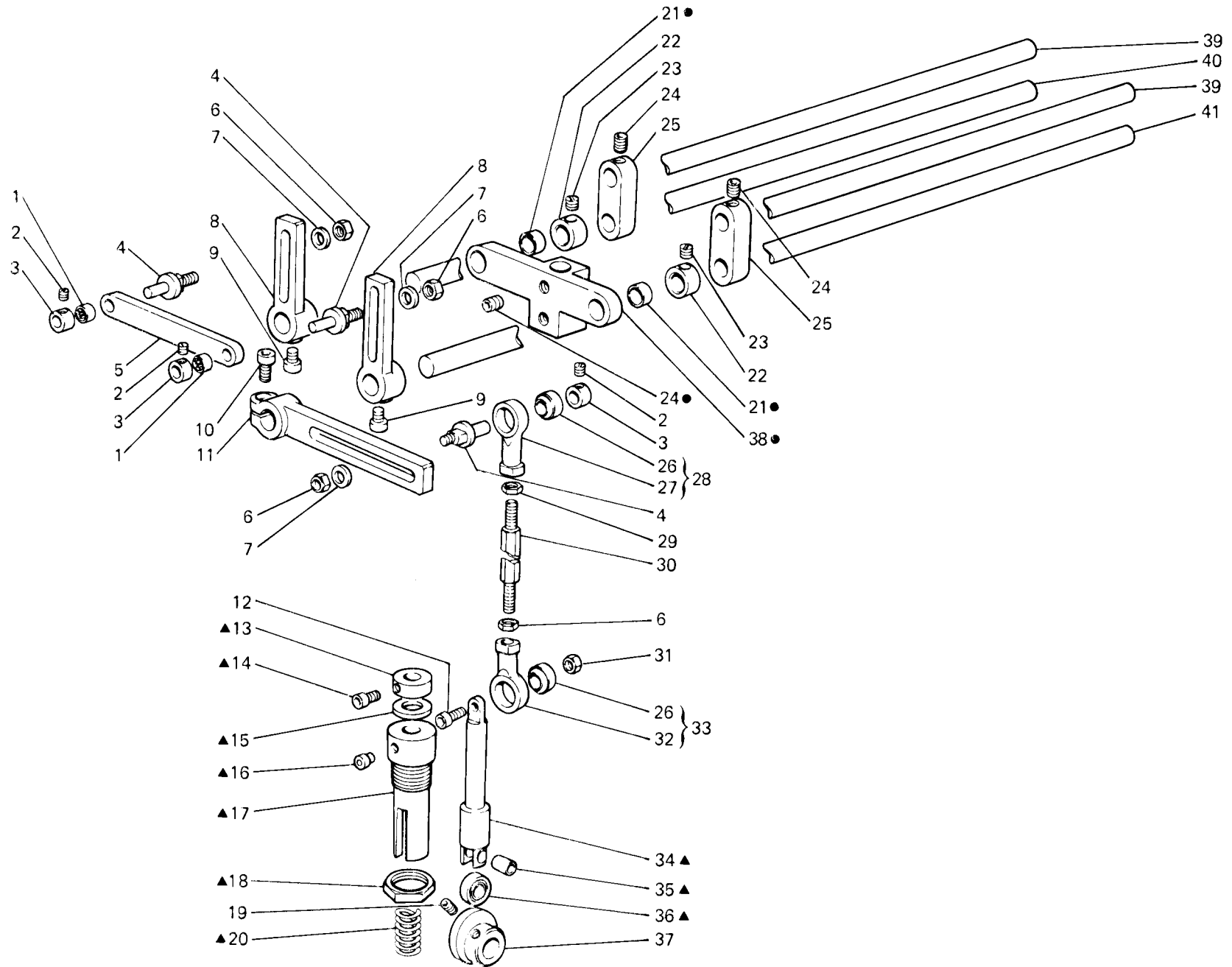


Fig. N.	Particolare N.	Q.tà	Descrizione
▲	RZR-G110/310/6520	1	cannotto completo
●	RZR-P110/310/6526	3	supporto asta con bussola
1	RZR-31/C/10	2	astuccio a rullini
2	RZR-16/F/5	—	vite
3	RZR-015/60/191	3	anello ferma leve
4	RZR-015/60/204	3	perno collegamento
5	RZR-110/310/6525	1	asta unione leve
6	RZR-51/H/8	—	dado
7	RZR-62/F/8	—	rondella
8	RZR-110/310/6523	2	leva
9	RZR-2/D/10	—	vite
10	RZR-2/C/25	—	vite
11	RZR-110/310/6524	1	leva
12	RZR-2/E/20	1	vite
13	RZR-015/60/245	1	anello
14	RZR-2/C/10	—	vite
15	RZR-58/E/15	1	rondella speciale
16	RZR-015/60/037	1	oliatore
17	RZR-110/310/6521	1	cannotto
18	RZR-015/60/156	1	ghiera
19	RZR-3/E/10	—	vite
20	RZR-015/60/089	1	molla
21	RZR-015/60/338	2	bronzine
22	RZR-082/150/2104	4	anello di spallamento
23	RZR-16/G/6	—	vite
24	RZR-3/D/8	—	vite
25	RZR-110/310/6528	10	bielletta
26	RZR-015/60/165	2	boccola oscillante
27	RZR-015/60/7715	1	testa biella sinistra
28	RZR-P015/60/7715	1	testa biella sinistra con boccola
29	RZR-015/60/7717	1	dado filetto sinistro
30	RZR-110/310/6522	1	biella
31	RZR-51/L/10	—	dado
32	RZR-015/60/7714	1	testa biella destra
33	RZR-P015/60/7714	1	testa biella destra con boccola
34	RZR-015/60/8057	1	pistone
35	RZR-015/60/125	1	perno
36	RZR-4/D/10	1	cuscinetto radiale
37	RZR-020/60/8603	1	camma
38	RZR-110/310/6527	1	supporto aste
39	RZR-110/310/6531	2	asta superiore bielle
40	RZR-110/310/6530	1	asta posteriore bielle
41	RZR-110/310/6529	1	asta anteriore bielle

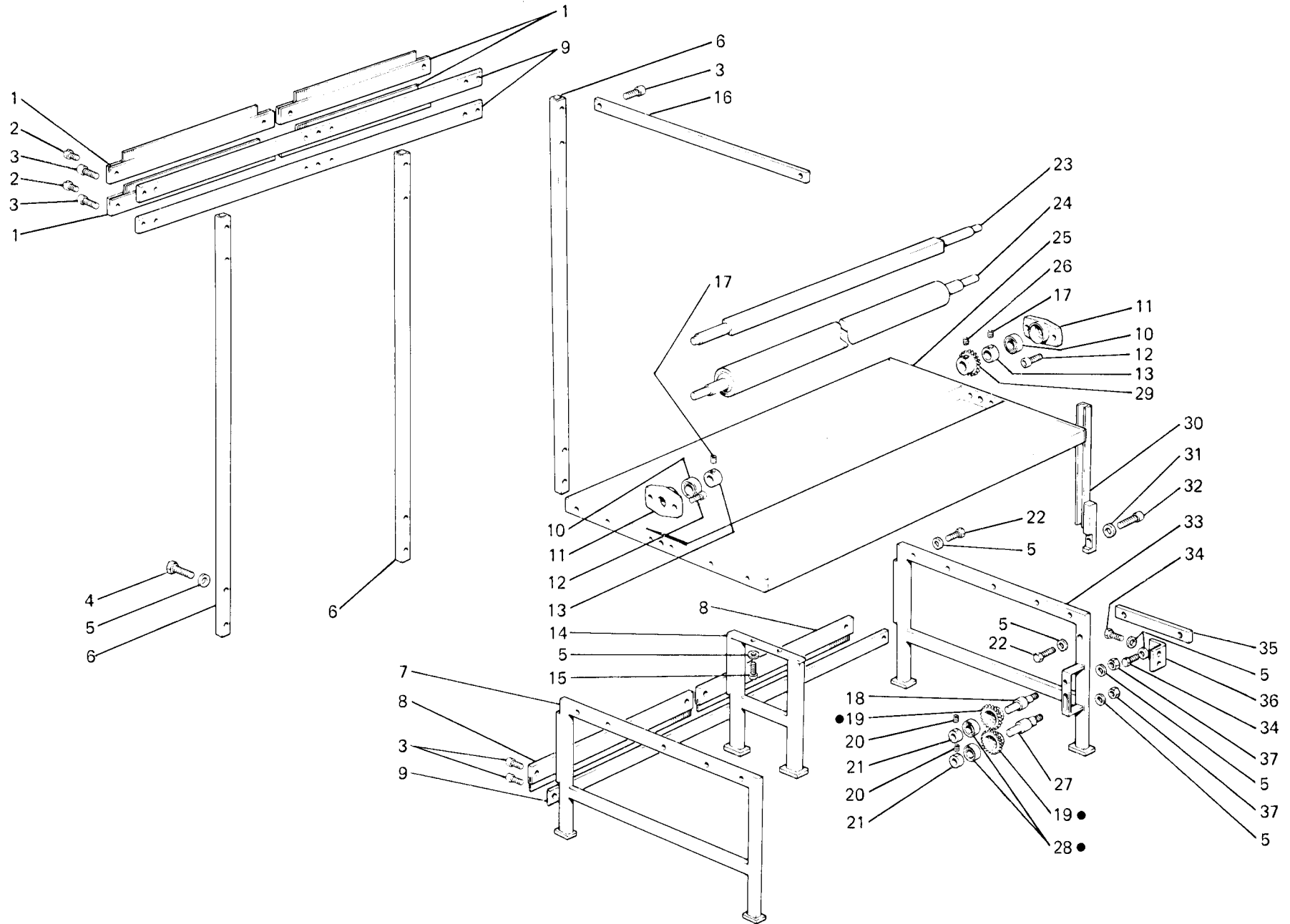


Fig. N.	Particolare N.	Q.tà	Descrizione
●	RZR-G135/80/5156	2	ingranaggio tendicatena con cuscinetto
1	RZR-110/310/6491	4	pettine fin. 5
2	RZR-1/G/10	—	vite
3	RZR-2/C/14	—	vite
4	RZR-36/G/40	—	vite
5	RZR-62/F/8	—	rondella
6	RZR-110/310/6565	3	sostegno pettine
7	RZR-P110/310/6555	1	fiancata sinistra
8	RZR-110/310/6490	2	pettine fin. 10
9	RZR-110/310/6566	3	asta pettine
10	RZR-4/L/25	2	cuscinetto radiale
11	RZR-110/310/6445	2	supporto cuscinetto
12	RZR-2/D/15	—	vite
13	RZR-082/150/2041	2	anello spallamento
14	RZR-P110/310/6556	1	sostegno centrale
15	RZR-36/G/25	—	vite
16	RZR-110/310/6567	2	asta rinforzo pettine
17	RZR-3/D/8	—	vite
18	RZR-135/80/7302	1	perno
19	RZR-135/80/5156	2	ingranaggio tendicatena
20	RZR-16/F/5	—	vite
21	RZR-015/60/191	2	anello
22	RZR-36/G/30	—	vite
23	RZR-P110/310/6557	1	asta avvolgitesuto
24	RZR-P110/310/6431	1	rullo avvolgipezza
25	RZR-P110/310/6550	1	telaio
26	RZR-3/E/10	—	vite
27	RZR-135/80/7303	1	perno
28	RZR-4/D/10	2	cuscinetto radiale
29	RZR-110/310/6558	1	ingranaggio
30	RZR-P110/310/6560	2	guida aste
31	RZR-62/G/10	—	rondella
32	RZR-2/E/55	—	vite
33	RZR-P110/310/6554	1	fiancata destra
34	RZR-36/G/15	—	vite
35	RZR-110/310/6563	2	listello
36	RZR-110/310/6564	2	squadretta
37	RZR-51/E/8	—	dado

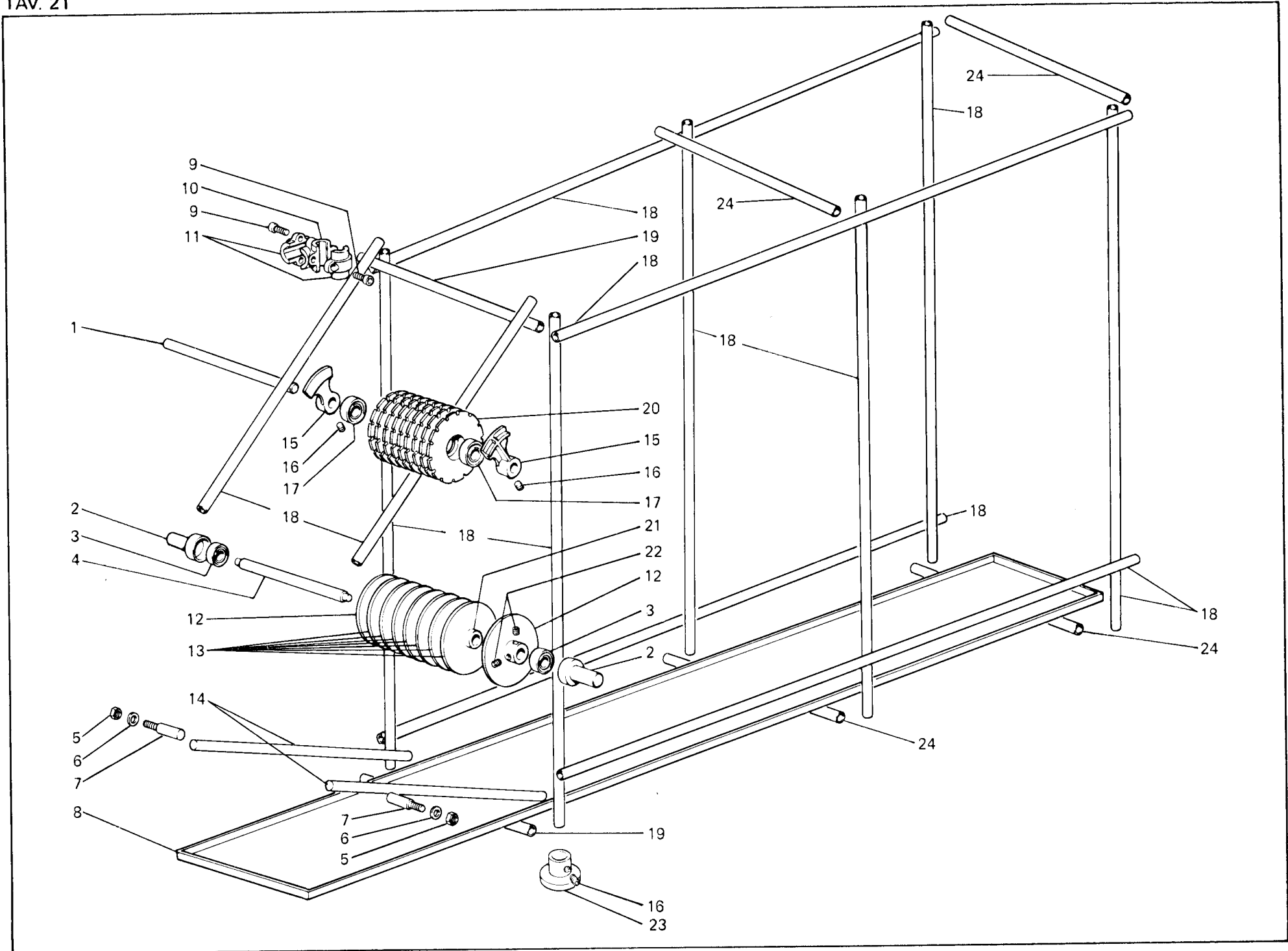


Fig. N.	Particolare N.	Q.tà	Descrizione
1	RZR-082/150/2425	3	albero
2	RZR-110/310/6586	2	tappo
3	RZR-4/H/20	2	cuscinetto radiale
4	RZR-110/310/6585	1	perno
5	RZR-51/L/10	—	dado
6	RZR-62/G/10	—	rondella
7	RZR-110/310/6580	2	perno collegamento
8	RZR-110/310/6587	1	recupero olio
9	RZR-2/D/25	—	vite
10	RZR-082/150/2431	40	corpo morsetto
11	RZR-082/150/2432	80	coperchio morsetto
12	RZR-110/310/6584	2	disco laterale
13	RZR-110/310/6582	7	disco centrale
14	RZR-110/310/6589	2	asta inferiore
15	RZR-082/150/2423	6	settore guida
16	RZR-3/D/10	—	vite
17	RZR-4/L/25	6	cuscinetto radiale
18	RZR-082/150/2427	12	piantone e collegamento macchina
19	RZR-110/310/6588	2	traversino lungo
20	RZR-110/310/6581	3	tamburo
21	RZR-110/310/6583	1	distanziale
22	RZR-3/E/10	—	vite
23	RZR-082/150/2421	6	piedino
24	RZR-135/80/8592	4	traversino corto

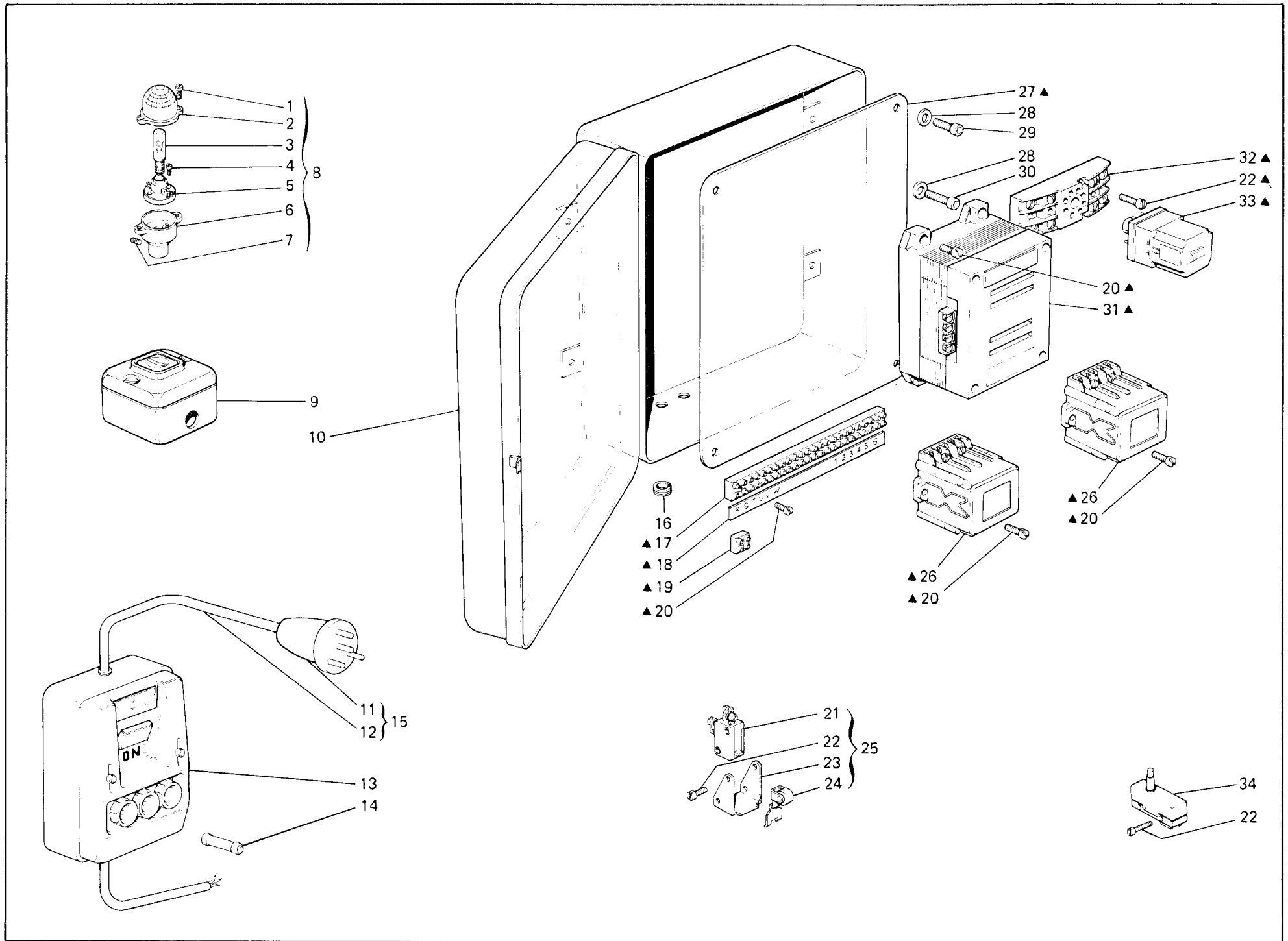


Fig. N.	Particolare N.	Q.tá	Descrizione
▲	RZR-G110/310/6651	1	pannello elettrico
1	RZR-1/E/10	—	vite
2	RZR-135/80/5482	1	calotta
3	RZR-015/60/8681	1	lampadina
4	RZR-1/C/10	—	vite
5	RZR-135/80/5481	1	portalampada
6	RZR-110/310/6661	1	corpo
7	RZR-16/G/6	—	vite
8	RZR-G110/310/6660	1	lampada spia completa
9	RZR-110/310/6655	2	interruttore marcia
10	RZR-110/310/6650	1	scatola per pannello
11	RZR-015/60/200	1	spina trifase
12	RZR-015/60/145	1	cavo elettrico
13	RZR-110/310/6653	1	interruttore generale
14	RZR-110/310/6654	3	valvola
15	RZR-G015/60/145	1	cavo con spina
16	RZR-110/310/6671	7	passacavo
17	RZR-015/60/196	1,5	basetta
18	RZR-015/60/240	2	piastrina
19	RZR-135/80/5472	2	morsetto
20	RZR-1/E/15	—	vite
21	RZR-110/310/6658	2	microinterruttore
22	RZR-1/E/25	—	vite
23	RZR-110/310/6659	1	supporto
24	RZR-110/310/6657	1	rullino micro
25	RZR-G110/310/6656	1	microinterruttore completo
26	RZR-015/60/195	2	teleinterruttore
27	RZR-110/310/6652	1	piastra
28	RZR-62/D/6	—	rondella
29	RZR-2/C/10	—	vite
30	RZR-2/C/14	—	vite
31	RZR-015/80/4772	1	trasformatore V 220/380
31	RZR-015/80/4772	1	trasformatore V 260/450 (in alternativa)
32	RZR-015/80/4773	1	zoccolo relé
33	RZR-015/60/182	1	relé
34	RZR-015/60/8688	1	microinterruttore

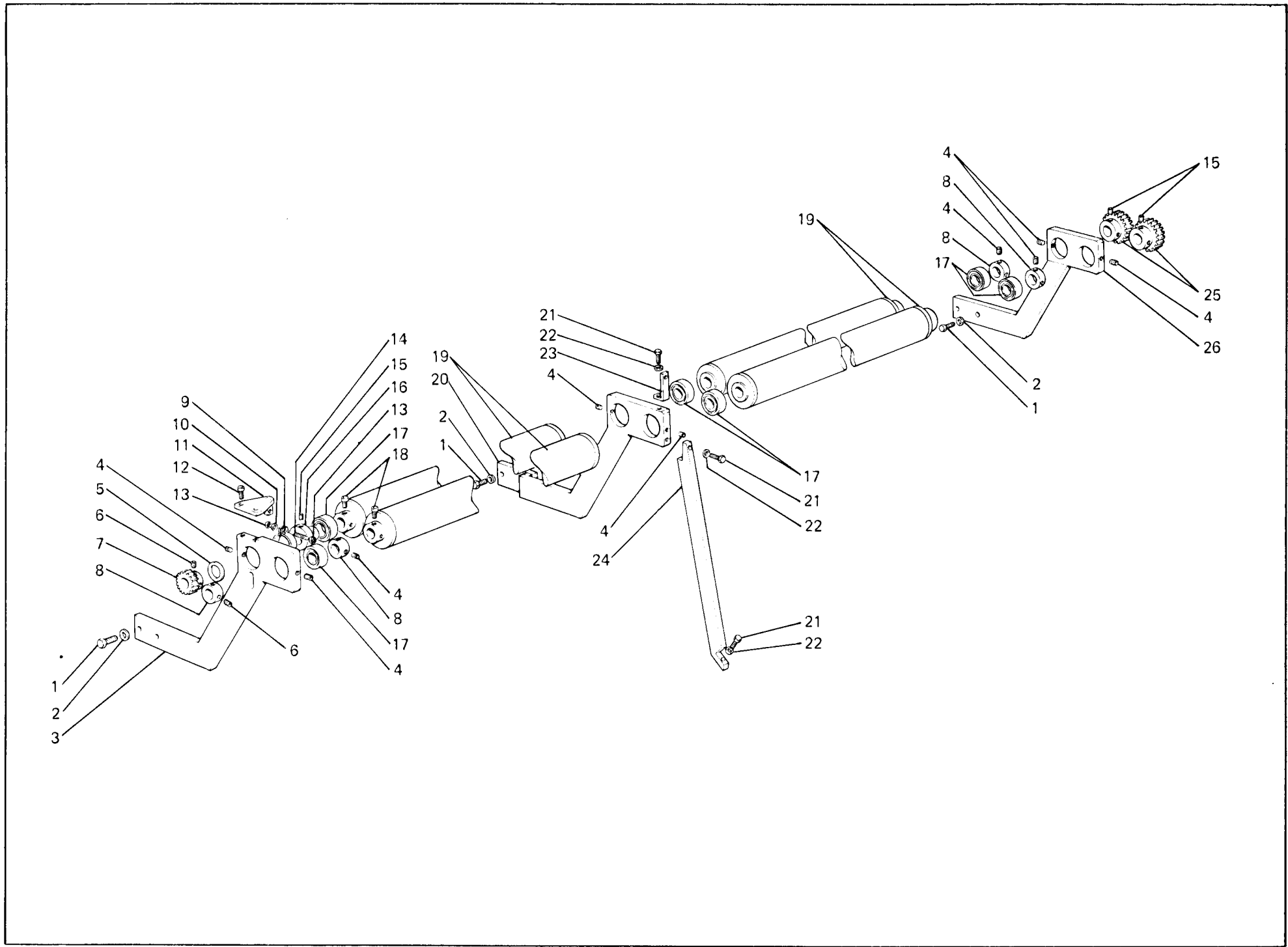


Fig. N.	Particolare N.	Q.tà	Descrizione
1	RZR-36/G/25	—	vite
2	RZR-62/F/8	—	rondella
3	RZR-P110/310/6704	1	supporto sinistro
4	RZR-3/D/8	—	vite
5	RZR-61/C/25	1	boccola distanziale
6	RZR-3/E/8	—	vite
7	RZR-P110/310/6711	1	ingranaggio condotto
8	RZR-082/150/2041	4	anello spallamento
9	RZR-P015/60/8021	1	freno
10	RZR-62/D/6	—	rondella
11	RZR-P015/60/7986	1	piastrina freno
12	RZR-2/B/15	—	vite
13	RZR-51/G/6	—	dado
14	RZR-015/60/8007	—	perno filettato
15	RZR-3/E/10	—	vite
16	RZR-110/310/6724	1	bussola
17	RZR-4/L/25	6	cuscinetto radiale
18	RZR-2/D/8	—	vite
19	RZR-P110/310/6700	4	rullo alimentatore
20	RZR-P110/310/6705	1	supporto centrale
21	RZR-36/E/15	—	vite
22	RZR-62/C/5	—	rondella
23	RZR-110/310/6726	1	squadretta
24	RZR-110/310/6725	1	asta
25	RZR-110/310/6713	2	ingranaggio
26	RZR-110/310/6703	1	supporto destro

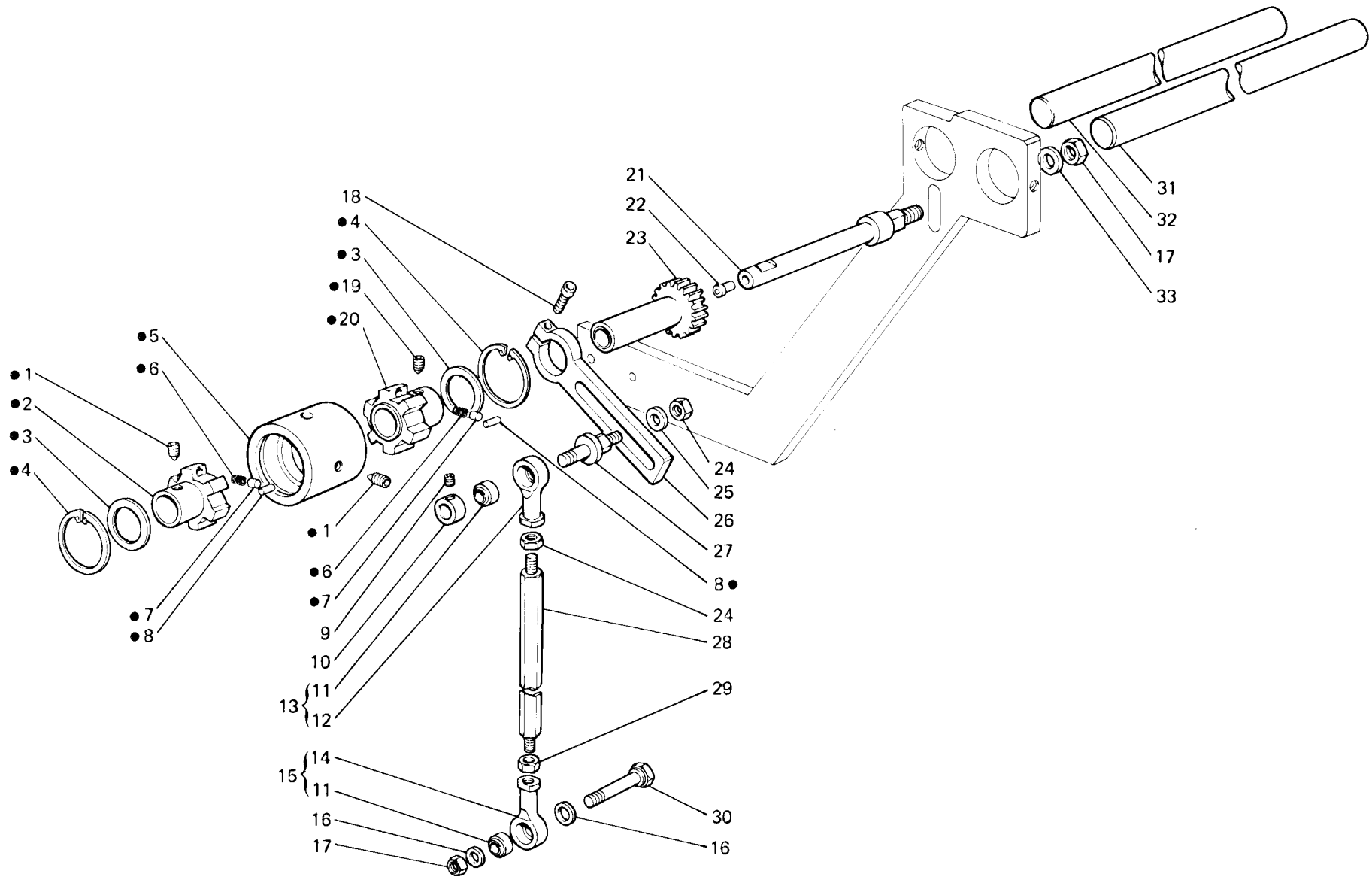


Fig. N.	Particolare N.	Q.tà	Descrizione
●	RZR-G015/80/4639	1	scatto completo
1	RZR-21/D/8	—	vite
2	RZR-015/80/4635	1	interno fisso
3	RZR-60/S/30	2	rondella speciale
4	RZR-18/P/50	2	anello arresto
5	RZR-015/80/4639	1	boccola esterna
6	RZR-015/60/047	12	molletta
7	RZR-015/60/046	12	capsula
8	RZR-015/80/4638	12	rullino
9	RZR-16/F/4	—	vite
10	RZR-015/60/191	1	anello
11	RZR-015/60/165	2	boccola oscillante
12	RZR-015/60/7714	1	testa biella destra
13	RZR-P015/60/7714	1	testa biella destra con boccola
14	RZR-015/60/7715	1	testa biella sinistra
15	RZR-P015/60/7715	1	testa biella sinistra con boccola
16	RZR-61/B/10	2	rondella distanziale
17	RZR-51/L/10	—	dado
18	RZR-2/C/20	—	vite
19	RZR-3/D/8	—	vite
20	RZR-P015/80/4636	1	interno mobile
21	RZR-015/80/4632	1	perno
22	RZR-015/60/037	1	oliatore a sfera
23	RZR-P110/310/6720	1	pignone
24	RZR-51/H/8	—	dado
25	RZR-62/F/8	—	rondella
26	RZR-015/80/4640	1	leva
27	RZR-015/60/204	1	perno
28	RZR-110/310/6708	1	braccio
29	RZR-015/60/7717	1	dado sinistro
30	RZR-110/310/6723	1	vite biella
31	RZR-110/310/6707	1	perno rullo anteriore
32	RZR-110/310/6706	1	perno rullo posteriore
33	RZR-62/G/10	—	rondella

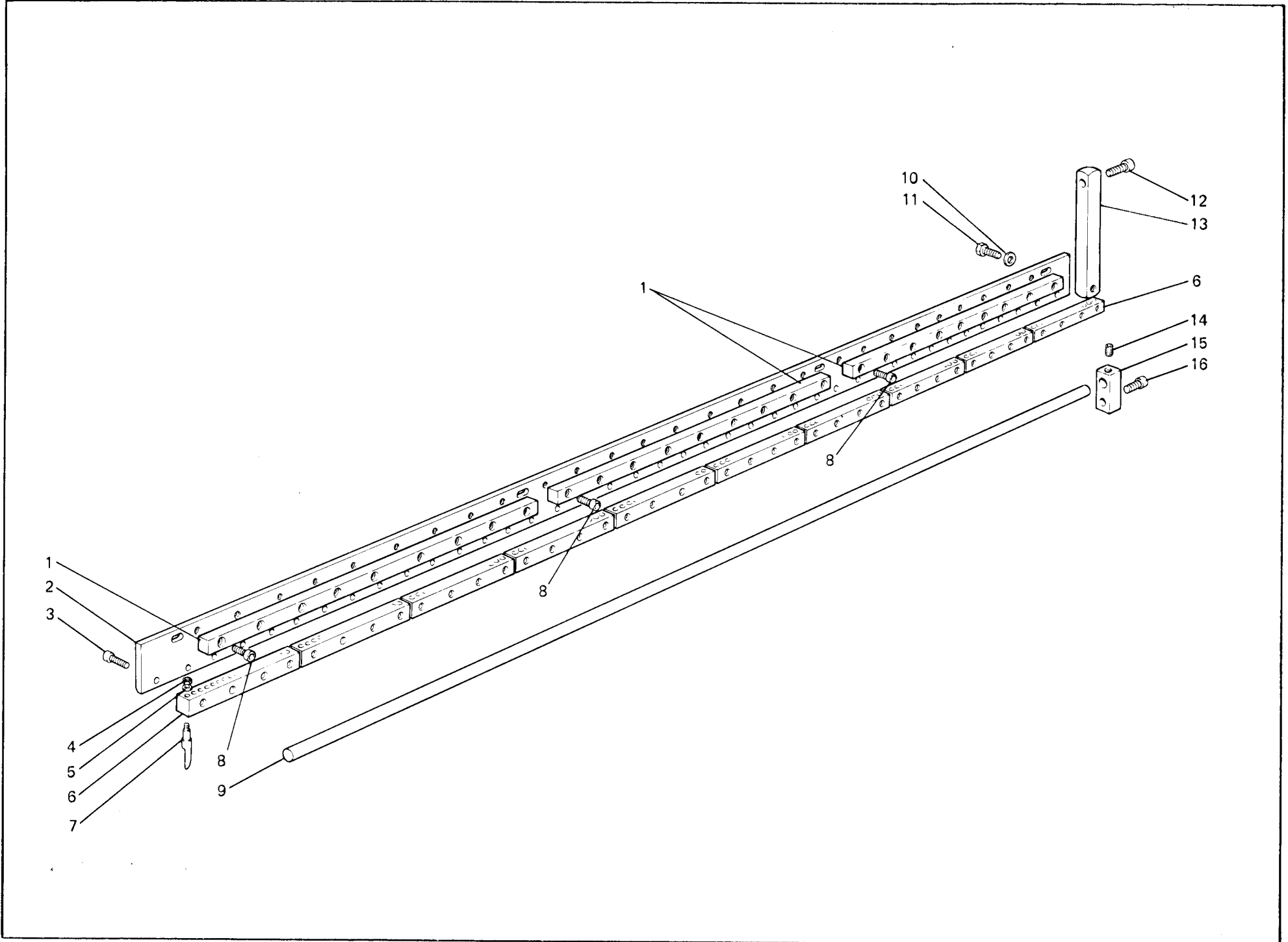


Fig. N.	Particolare N.	Q.tà	Descrizione
1	RZR-110/310/6727	3	rinforzo
2	RZR-110/310/6715	1	piatto
3	RZR-2/B/15	-	vite
4	RZR-51/D/4	-	dado
5	RZR-62/A/4	-	rondella
6	RZR-110/310/6714	10	barra porta perno
7	RZR-110/310/6718	310	pernetto
8	RZR-2/C/15	-	vite
9	RZR-110/310/6719	1	asta
10	RZR-62/F/8	-	rondella
11	RZR-36/G/20	-	vite
12	RZR-2/D/25	-	vite
13	RZR-110/310/6716	4	supporto
14	RZR-3/D/8	-	vite
15	RZR-110/310/6717	4	supporto
16	RZR-2/D/15	-	vite

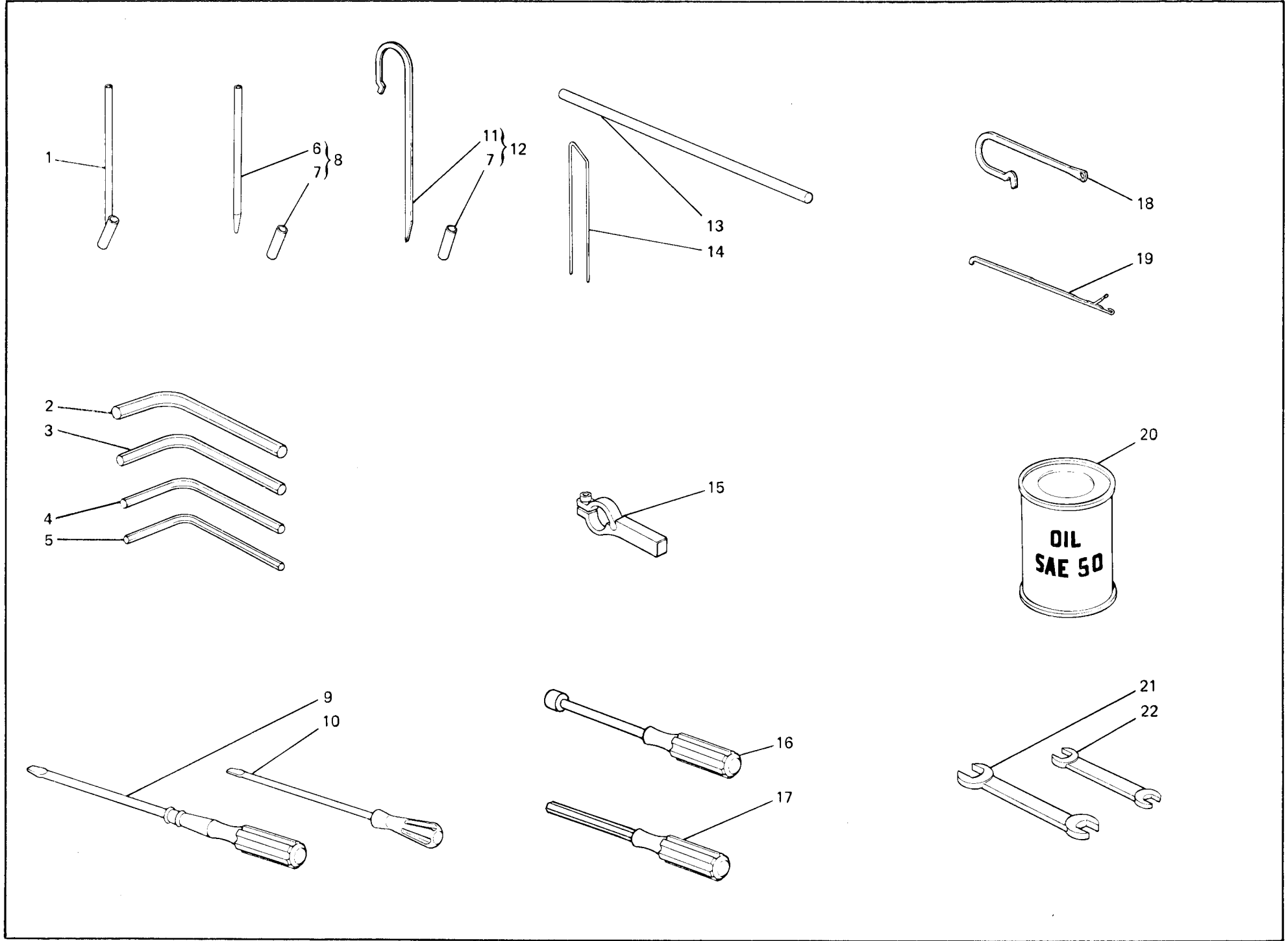


Fig. N.	Particolare N.	Q.tà	Descrizione
1	RZR-P110/310/6730	350	guidafilo tondo completo (solo per Bouclet)
2	RZR-015/60/573	1	chiave brugola da 6
3	RZR-015/60/572	1	chiave brugola da 5
4	RZR-015/60/571	1	chiave brugola da 4
5	RZR-015/60/570	1	chiave brugola da 3
6	RZR-020/60/8431	1	gambo guidafilo
7	RZR-020/60/611	2	tubetto
8	RZR-P020/60/8447	400	guidafilo tondo completo
9	RZR-015/60/577	1	cacciavite da 6
10	RZR-015/60/576	1	cacciavite da 3
11	RZR-015/60/288	1	gambo guidafilo
12	RZR-P040/100/1091	700	guidafilo a molla completo
13	RZR-110/310/6301	30	perno glider
14	RZR-015/60/257	2500	cavaliere pesante
15	RZR-G020/60/713	200	supporto guidafilo tondo
16	RZR-015/60/569	1	chiave a tubo esagono 7
17	RZR-015/60/568	1	chiave brugola da 4 con impugnatura
18	RZR-020/60/684	1300	passetta
19	RZR-020/60/683	1300	ago a linguetta
20	RZR-015/60/581	18	lattina olio SAE 50 kg. 1
21	RZR-015/60/575	1	chiave fissa 13-17
22	RZR-015/60/574	1	chiave fissa 8-10

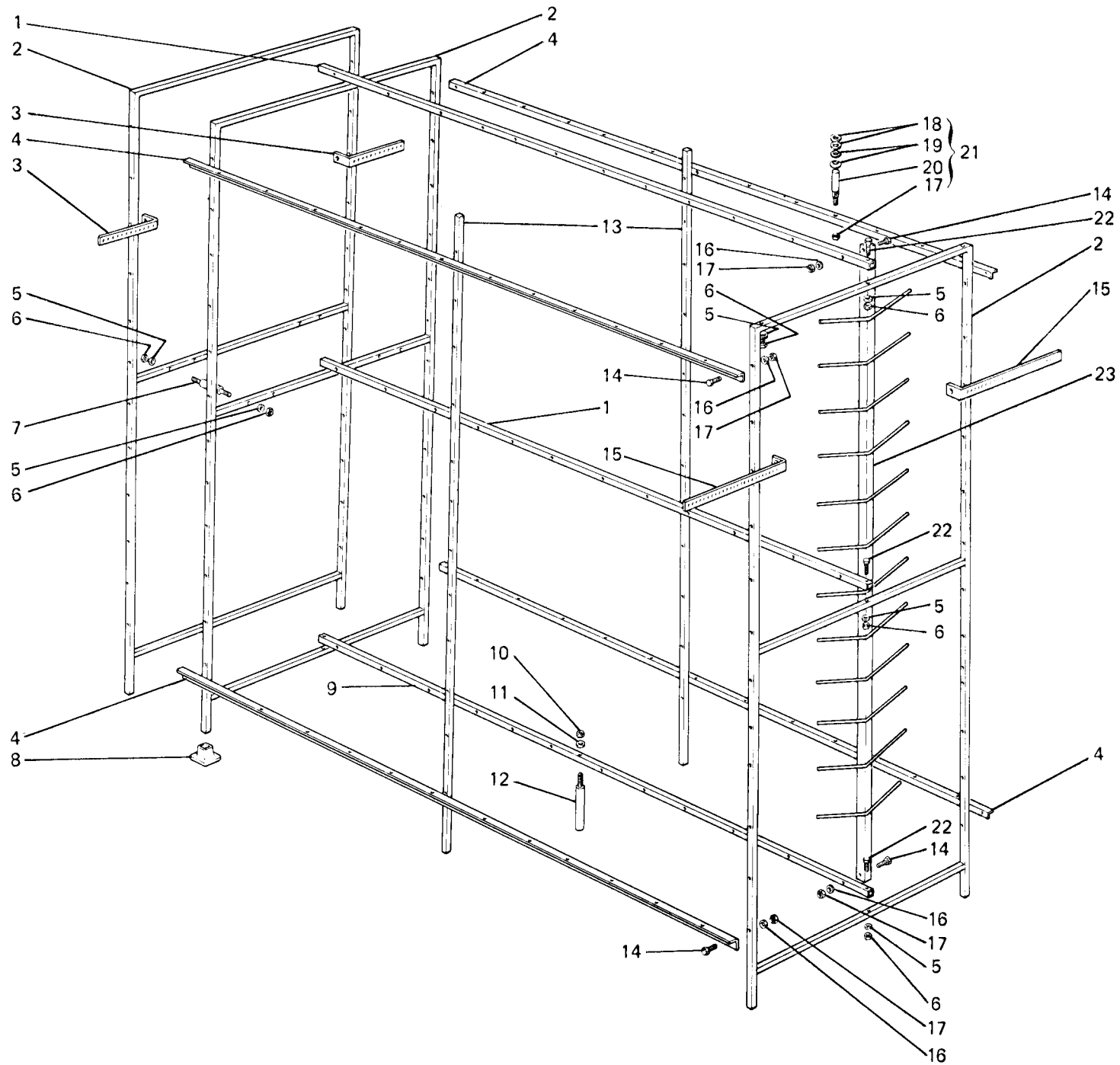


Fig. N.	Particolare N.	Q.tá	Descrizione
—	RZR-12/MTN/1728	1	cantra completa da 1728 posti rocche
1	RZR-015/60/7405	12	scatolato superiore e centrale
2	RZR-015/60/7400	12	tefaio
3	RZR-015/60/7413	72	passafilo da 12 fori
4	RZR-015/60/7402	144	angolare porta tensioni
5	RZR-62/D/6	48	rondella
6	RZR-61/G/6	48	dado
7	RZR-040/100/8851	6	tirante unione cantre
8	RZR-015/60/7410	36	pedino
9	RZR-015/60/7406	6	scatolato inferiore
10	RZR-51/H/8	6	dado
11	RZR-62/F/8	6	rondella
12	RZR-015/60/7508	6	sostegno centrale
13	RZR-015/60/7407	12	scatolato sostegno centrale
14	RZR-36/E/30	648	vite
15	RZR-015/60/7414	72	passafilo da 24 fori
16	RZR-62/C/5	2376	rondella
17	RZR-51/F/5	2376	dado
18	RZR-14/G/10	2	rondella
19	RZR-035/60/8806	2	piattello tensione
20	RZR-015/60/8261	1	perno tensione
21	RZR-G015/60/8261	1728	tensione completa
22	RZR-36/F/50	36	vite
23	RZR-P015/60/7509	72	angolare porta con