

127-00-1CD-01 ·
127-00-1CD-07 ·
127-10-1CD-06
127-28-1CD-02
127-00-1CD-06 ·
127-00-1MD-23
127-00-2CD-15 ·
127-00-2CD-18 ·

127-00-2CD-41 ·
127-00-2CD-48 ·
127-00-2CD-45 ·
127-00-2MD-20
127-00-2MD-21

n. 187

652291200

UFFICIO CATALOGHI 9/77

Il presente Catalogo Pezzi di Ricambio è costituito da due parti: la prima, definita come "Catalogo base", comprende i particolari montati sulla testa più significativa (la prima dell'elenco in copertina); la seconda comprende tutti i particolari delle altre teste basi o derivate, che differiscono da quella del Catalogo base.

Le Teste basi sono elencate in copertina con un carattere più grande rispetto a quello delle derivate.

Nella consultazione del Catalogo tenere presente che:

1. Tutti i particolari non fornibili sciolti non vengono richiamati singolarmente, ma soltanto illustrati nel gruppo d'appartenenza.
2. I riferimenti delle figure dei particolari che compongono il gruppo sono di norma raggruppati in una parentesi. In alcuni casi però, dove non è possibile il raggruppamento, i numeri che nelle tavole illustrative richiamano i singoli pezzi sono affiancati dallo stesso segno particolare, con cui è indicato l'intero gruppo.
3. Sulle tavole relative alle altre teste sono elencati tutti i particolari diversi o non montati sulla testa del Catalogo Base. Dette tavole portano in alto a destra il simbolo della testa cui si riferiscono (con indicato fra parentesi - nel caso di derivata - il simbolo della testa da cui deriva).
I disegni di questo gruppo di tavole illustrano soltanto i pezzi nuovi o sostanzialmente diversi rispetto a quelli montati sulla testa più significativa del Catalogo.
I particolari richiamati come simbolo, ma non illustrati, conservano lo stesso numero di figura dei corrispondenti raffigurati sul Catalogo base.
I particolari comuni a tutte le teste comprese nel Catalogo, vengono richiamati soltanto nel primo gruppo di tavole.
I particolari definiti come "pezzi annullati" si intendono quelli non montati sulla testa a cui la tavola si riferisce. Nel caso di un gruppo annullato, viene indicato soltanto il simbolo del gruppo, ma devono intendersi annullati anche tutti i particolari componenti il gruppo stesso.
Per ogni testa viene sempre riportata interamente la tavola relativa agli organi di cucitura

Per facilitare la ricerca viene riportato l'indice numerico di tutti i particolari illustrati sul Catalogo base, con la relativa tavola in cui gli stessi sono richiamati.

AGHI

Gli aghi sono contraddistinti dal sistema e dalla finezza, la quale indica il diametro medio espresso in centesimi di millimetro.

Il sistema dell'ago e la finezza sono marcati oltre che sulla busta, anche sull'ago stesso.

Nelle ordinazioni precisare, oltre il simbolo, il sistema e la finezza degli aghi desiderati. In caso di dubbio, allegare, un ago campione o una bustina vuota.

AVVERTENZA

Nella richiesta di parti di ricambio citare sempre il relativo numero di matricola della macchina, il simbolo del particolare e la denominazione ufficiale usata sul catalogo.

This spare parts catalogue is made up of two parts: in the first one, called "basic catalogue", all the details of most representative head are listed (the first head listed on the cover); the second one includes the details of the other main heads or derived ones, which are different from that of the basic catalogue.

The main heads are listed on the cover in bigger lettering to distinguish them from the derived heads.

When you consult the catalogue will you please note that:

1. all parts which cannot be supplied by themselves are not indicated alone, but shown together with the group to which they belong;
2. the references of the pictures of the parts making up the group are usually put in brackets.
In some cases, however, when their grouping is not possible, the numbers of the various parts in the tables are marked with the same particular sign with which the whole group is indicated.

3. In the tables of the other heads there are listed all the parts not fitted on the head in the basic catalogue.

These tables are marked at the top right-hand corner with the symbol of the head which the table refers to.

The drawings in this group of tables show only the parts which are new or basically different from those fitted on the most representative head in the catalogue.

The parts which are represented only by the symbol but not illustrated keep the same figure number as the corresponding parts shown in the basic catalogue.

The parts which are common to all the heads in the catalogue are listed only in the first group of tables.

Parts marked "annulled part" are those not fitted on the head which the table refers to. When an assembly has been annulled only the assembly symbol is specified, but all the parts forming the assembly must also be considered annulled.

For each head the table for sewing parts is always repeated completely.

To make it easier to locate the parts, the reference numbers of all of those shown in the basic catalogue are listed together with the number of the table in which they are to be found.

NEEDLES

The needles are marked with system and size; the size indicates the average diameter in hundredths of a millimeter.

The system and size of the needle are shown on the packet as well as on the needle itself.

When ordering please state symbol, system and size. If you have doubts, enclose a sample needle or an empty packet with your order.

ATTENTION

When ordering spare parts always state the serial number of the machine, the symbol of the part in question and the description given in the catalogue.

Ce catalogue "pièces détachées" est formé de deux parties: la première appelée "catalogue base" comprend toutes les pièces montées sur la tête la plus significative (celle en tête de la liste de couverture), la seconde comprend toutes les pièces montées sur les autres têtes de base ou dérivées qui sont différentes de celle du "catalogue base".

Les têtes de base sont énumérées sur la couverture, en caractères plus grands que les têtes dérivées.

Lorsque l'on consulte le catalogue, se souvenir que:

1. Toutes les pièces qui ne sont pas fournies séparément mais qui font partie d'un groupe, ne sont pas indiquées séparément.
2. Les symboles des pièces qui forment un groupe sont regroupés entre parenthèses. Cependant, lorsque ceci n'a pas été possible, les symboles, qui dans les tables d'illustration correspondent aux pièces, sont suivis du même signe particulier qui indique le groupe tout entier.

3. Dans les tables relatives aux autres têtes, nous avons indiqué toutes les pièces différentes de celles de tête du "catalogue base" ou qui ne sont pas montées sur ces dernières. Ces tables portent, en haut à droite, le symbole des têtes auxquelles elles se réfèrent (pour les dérivées, le symbole de la tête de laquelle elles dérivent est indiqué entre parenthèses).

Les dessins de ce groupe de tables représentent seulement les nouvelles pièces ou celles qui sont différentes des pièces montées sur la tête la plus significative du catalogue.

Les pièces indiquées par un symbole, mais qui ne sont pas illustrées, gardent le même numéro de dessin que celles correspondantes, illustrées sur le catalogue base.

Les pièces communes à toutes les têtes du catalogue, sont indiquées seulement dans le premier groupe de tables.

Les pièces définies comme "pièces annulées" sont celles qui ne sont pas montées sur la tête à laquelle se réfère la table. Dans le cas de l'annulation d'un groupe, nous indiquons seulement le symbole du groupe, mais toutes les pièces qui forment ce groupe sont annulées.

Pour chaque tête est toujours indiquée la table se référant aux organes de couture.

Pour faciliter la recherche, le catalogue renferme l'index numérique de toutes les pièces illustrées avec indication de la table dans laquelle elles sont indiquées.

AIGUILLES

Les aiguilles se différencient par le système et la grosseur, laquelle indique le diamètre moyen exprimé en centièmes de millimètre.

Le système de l'aiguille et sa grosseur, sont indiqués non seulement sur le sachet mais également sur l'aiguille.

Dans la commande, préciser, en plus du symbole, le système et la grosseur des aiguilles désirées. En cas de doute, joindre une aiguille comme modèle ou un sachet vide.

ATTENTION

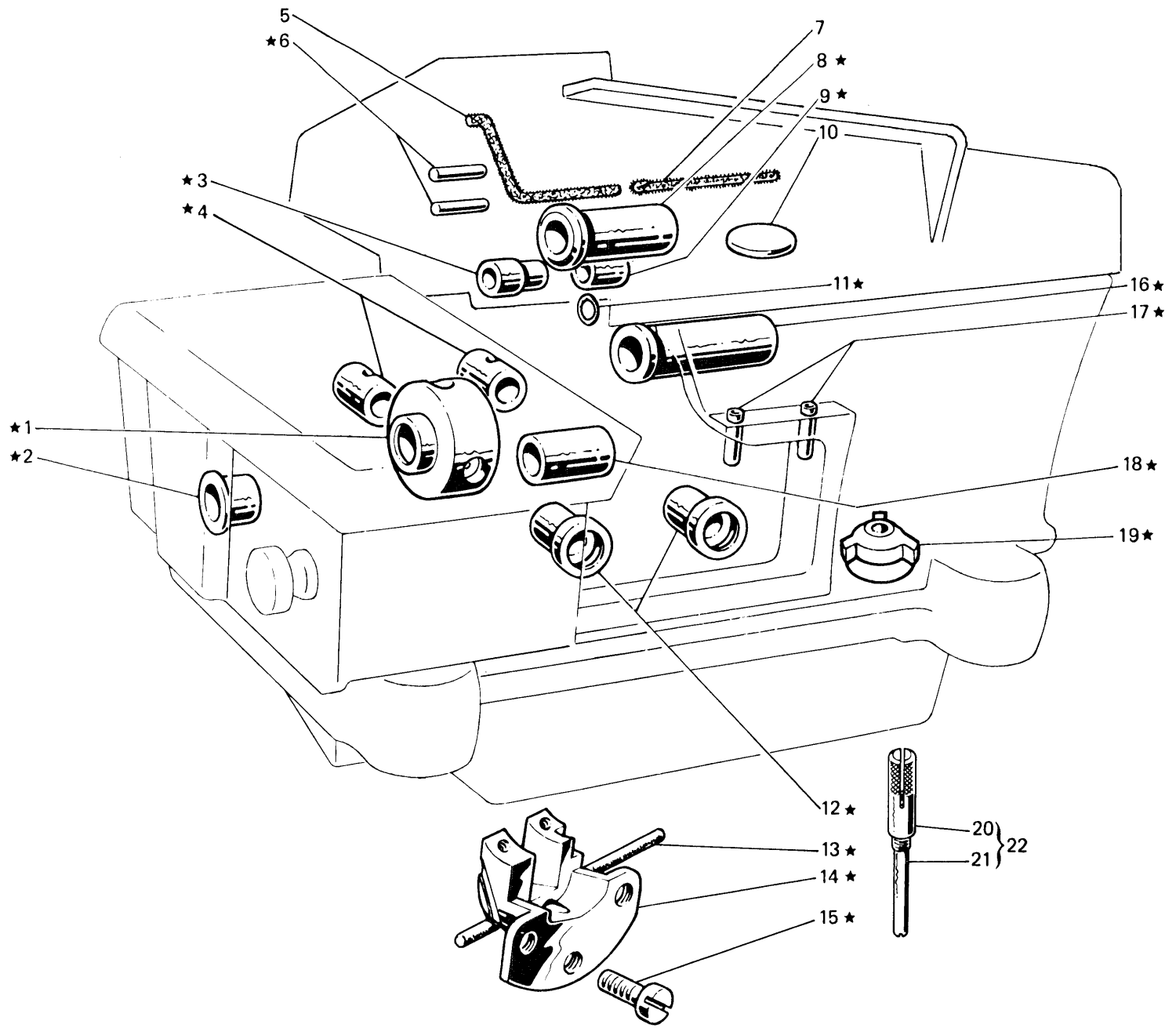
Dans la commande de pièces détachées, indiquer toujours le numéro de la machine, le symbole de la pièce et la dénomination officielle mentionnée sur le catalogue.

INDICE NUMERICO INDEX

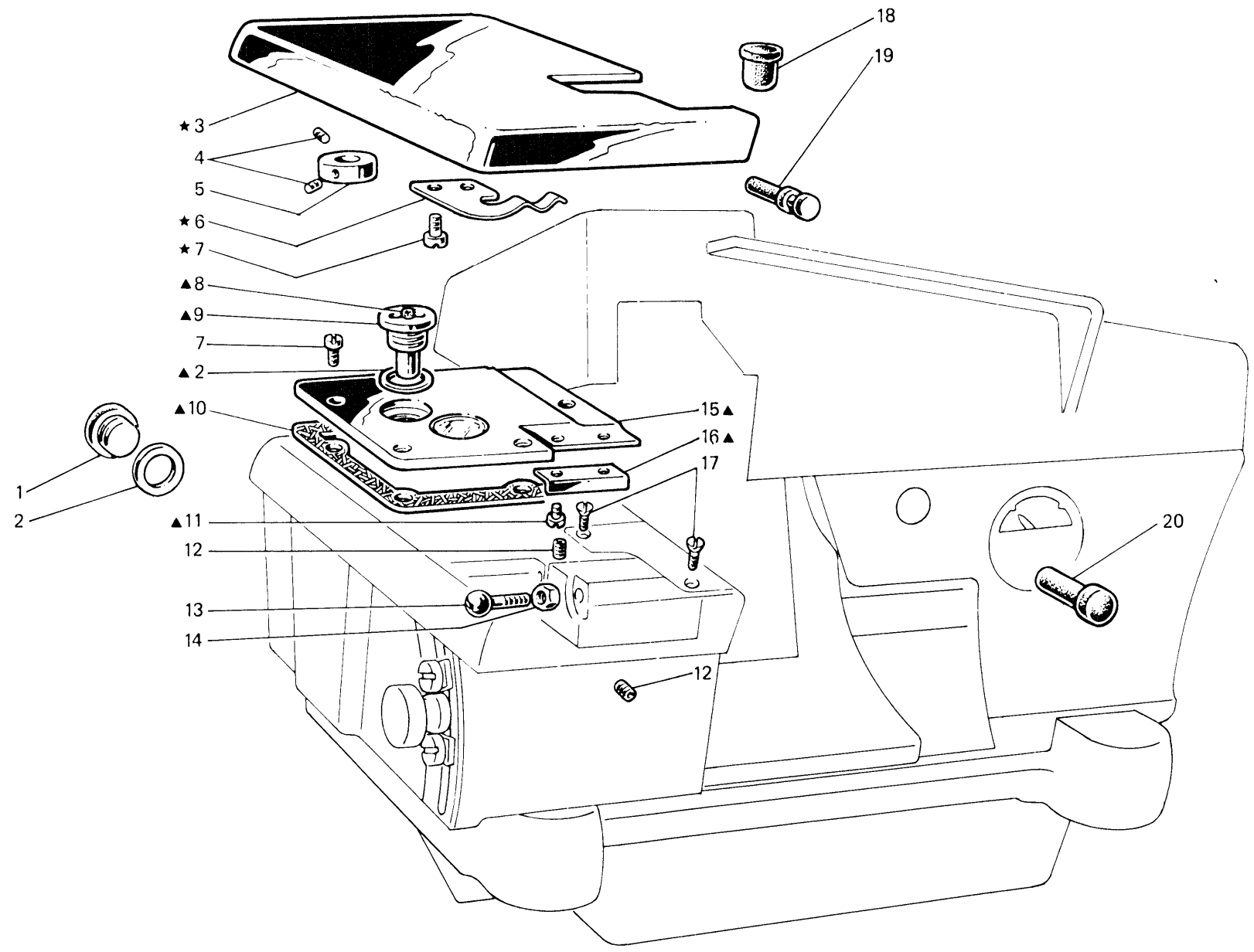
| Part. N. | Tav. N. | Part. N. | Tav. N. | Part. N. | Tav. N. | Part. N. | Tav. N. | Part. N. | Tav. N. | Part. N. | Tav. N. | Part. N. | Tav. N. |
|-------------|---------|-------------|---------|-------------|---------|-------------|---------|-------------|---------|-------------|---------|-------------|---------|
| 100620-2-10 | 6 | 202171-3-11 | 13 | 202508-0-10 | 13 | 206534-0-00 | 2 | 206617-0-00 | 6 | 206702-2-01 | 5 | 207070-0-00 | 6 |
| 200490-0-00 | 6 | 202184-0-11 | 13 | 202517-0-00 | 13 | 206538-0-00 | 1 | 206619-0-00 | 6 | 206711-0-00 | 4 | 207071-0-00 | 3 |
| 200663-0-10 | 11 | 202192-0-10 | 13 | 202529-0-10 | 10 | 206539-0-00 | 1 | 206620-0-00 | 10 | 206714-2-00 | 4 | 207091-4-00 | 6 |
| 201128-0-10 | 7 | 202194-0-10 | 10 | 202556-0-00 | 4 | 206540-2-00 | 8-9 | 206621-0-00 | 10 | 206715-0-01 | 2 | 207095-2-00 | 7 |
| 201358-0-10 | 6 | 202195-0-11 | 13 | 202558-2-00 | 4 | 206543-0-01 | 5 | 206622-0-00 | 10 | 206716-0-00 | 2 | 207096-2-00 | 7 |
| 201610-0-01 | 6 | 202201-0-11 | 13 | 202559-0-00 | 13 | 206544-0-00 | 5 | 206623-2-11 | 10 | 206722-2-01 | 2 | 207120-0-00 | 4 |
| 202026-0-10 | 2 | 202214-0-10 | 3-10 | 202590-0-11 | 13 | 206546-0-00 | 6 | 206626-3-01 | 10 | 206723-4-01 | 2 | 207122-0-00 | 4 |
| 202027-0-10 | 3 | 202227-0-10 | 4 | 202720-0-00 | 7 | 206549-2-00 | 5 | 206628-0-00 | 1 | 206725-2-10 | 2 | 207123-0-00 | 4 |
| 202032-0-11 | 6 | 202228-0-10 | 4 | 202757-0-00 | 13 | 206564-0-00 | 12 | 206629-0-00 | 1 | 206726-0-11 | 2 | 207124-4-00 | 4 |
| 202033-0-10 | 6 | 202229-0-10 | 4 | 202758-0-00 | 13 | 206565-0-00 | 12 | 206630-2-01 | 10 | 206730-0-11 | 3 | 207140-0-00 | 5 |
| 202047-2-10 | 6 | 202267-2-12 | 4 | 202767-4-10 | 13 | 206566-0-00 | 12 | 206632-2-00 | 10 | 206734-2-00 | 3 | 207170-4-01 | 2 |
| 202053-0-10 | 13 | 202271-0-11 | 4 | 202769-2-10 | 13 | 206567-0-00 | 12 | 206633-0-10 | 10 | 206735-0-00 | 3 | 207171-0-00 | 2 |
| 202056-2-11 | 13 | 202279-0-10 | 4 | 202772-2-10 | 13 | 206568-0-01 | 12 | 206634-0-00 | 10 | 206740-0-00 | 1 | 207207-4-00 | 2 |
| 202057-0-10 | 13 | 202288-0-10 | 7 | 203142-0-10 | 10 | 206569-0-01 | 12 | 206635-0-00 | 10 | 206744-0-00 | 2 | 207459-2-00 | 5 |
| 202060-2-11 | 13 | 202292-0-10 | 6 | 203774-0-10 | 11 | 206572-4-00 | 11 | 206636-0-00 | 10 | 206746-0-10 | 4 | 207473-3-10 | 1 |
| 202061-0-10 | 13 | 202300-0-10 | 13 | 203775-0-10 | 11 | 206573-0-00 | 4 | 206637-0-00 | 10 | 206747-0-01 | 4 | 207478-0-00 | 1 |
| 202062-2-10 | 7 | 202302-0-10 | 13 | 204021-0-10 | 13 | 206574-2-00 | 11 | 206639-0-00 | 10 | 206748-0-00 | 1 | 207479-0-00 | 1 |
| 202063-0-10 | 6 | 202345-2-21 | 6 | 204033-0-10 | 13 | 206578-2-00 | 5 | 206640-0-10 | 10 | 206754-0-00 | 4 | 207480-2-00 | 1 |
| 202065-0-20 | 1 | 202350-0-10 | 6 | 204947-0-10 | 10 | 206580-2-00 | 6 | 206642-0-00 | 10 | 206755-0-00 | 4 | 207481-0-00 | 5 |
| 202071-2-10 | 7 | 202371-0-10 | 1 | 206087-0-00 | 4 | 206582-3-00 | 6 | 206643-0-00 | 7 | 206757-0-00 | 11 | 207482-4-01 | 5 |
| 202086-0-10 | 7 | 202385-0-10 | 6 | 206341-4-00 | 4 | 206583-0-00 | 6 | 206644-2-00 | 10 | 206758-0-10 | 11 | 207483-0-00 | 5 |
| 202092-0-10 | 13 | 202386-0-10 | 5 | 206342-4-00 | 4 | 206584-2-00 | 6 | 206645-4-00 | 7 | 206759-2-00 | 3 | 207484-0-01 | 5 |
| 202094-0-11 | 13 | 202391-0-11 | 10 | 206400-4-00 | 7 | 206586-0-01 | 6 | 206650-0-00 | 4 | 206764-0-00 | 3 | 207485-0-00 | 5 |
| 202095-0-11 | 13 | 202393-2-10 | 2 | 206410-3-00 | 7 | 206587-0-01 | 6 | 206651-0-00 | 1 | 206767-0-00 | 3 | 207486-0-00 | 5 |
| 202110-0-10 | 10 | 202398-0-10 | 2 | 206415-4-00 | 7 | 206588-0-00 | 6 | 206652-2-00 | 7 | 206768-0-00 | 3 | 207487-0-00 | 3 |
| 202127-0-10 | 11 | 202408-0-10 | 6 | 206425-4-01 | 8 | 206592-3-00 | 6 | 206654-2-10 | 7 | 206769-0-10 | 3 | 207488-0-00 | 3 |
| 202128-0-10 | 11 | 202412-0-10 | 6 | 206446-4-10 | 10 | 206593-0-00 | 6 | 206658-2-02 | 7 | 206803-2-00 | 6 | 207489-3-01 | 12 |
| 202129-0-10 | 11 | 202472-0-10 | 6 | 206452-4-00 | 7 | 206594-0-00 | 1 | 206659-2-01 | 7 | 206804-0-00 | 6 | 207490-4-02 | 12 |
| 202130-0-11 | 11 | 202473-0-11 | 6 | 206453-4-00 | 7 | 206595-0-00 | 1 | 206662-0-00 | 12 | 206808-0-00 | 10 | 207492-0-00 | 3 |
| 202131-0-10 | 11 | 202475-0-10 | 6 | 206506-0-00 | 8-9 | 206598-3-00 | 6 | 206665-2-00 | 12 | 206809-4-00 | 10 | 207497-4-00 | 5 |
| 202132-0-10 | 11 | 202478-0-10 | 6 | 206508-0-00 | 5 | 206599-0-01 | 6 | 206667-0-00 | 12 | 206810-2-00 | 10 | 207499-0-00 | 12 |
| 202133-4-10 | 11 | 202480-0-10 | 3 | 206514-0-00 | 8-9 | 206602-0-00 | 6 | 206679-0-00 | 5 | 206812-0-00 | 4 | 207501-4-00 | 9 |
| 202134-0-11 | 11 | 202488-0-10 | 6 | 206516-0-01 | 8-9 | 206603-0-10 | 6 | 206680-0-00 | 5 | 206814-3-00 | 8 | 207506-4-00 | 9 |
| 202137-0-11 | 13 | 202489-0-10 | 6 | 206518-0-00 | 8-9 | 206604-4-01 | 6 | 206681-0-00 | 5 | 206815-4-00 | 8 | 207510-4-00 | 9 |
| 202140-0-10 | 13 | 202490-0-10 | 6 | 206521-0-00 | 8-9 | 206605-0-01 | 6 | 206682-0-01 | 1 | 206872-0-00 | 6 | 207520-2-00 | 9 |
| 202142-0-10 | 13 | 202492-0-10 | 5 | 206522-3-02 | 8-9 | 206606-2-00 | 8-8-9 | 206683-0-00 | 5 | 206882-0-00 | 10 | 207540-0-00 | 9 |
| 202143-0-10 | 13 | 202496-0-10 | 11 | 206525-3-00 | 8-9 | 206608-0-00 | 1 | 206684-0-00 | 5 | 206886-0-00 | 8-9 | 207756-0-00 | 12 |
| 202146-0-10 | 13 | 202504-0-11 | 13 | 206529-4-01 | 8-9 | 206609-0-00 | 1 | 206686-0-00 | 7 | 206968-4-00 | 7 | 207757-0-00 | 12 |
| 202148-0-11 | 13 | 202505-0-10 | 13 | 206530-4-00 | 8-9 | 206613-0-00 | 6 | 206689-0-00 | 5 | 207060-0-00 | 6 | 207758-0-00 | 1 |
| 202154-0-11 | 8-9 | 202506-4-11 | 13 | 206531-0-00 | 8-9 | 206614-2-01 | 6 | 206693-0-00 | 5 | 207062-2-01 | 3 | 207759-2-00 | 12 |
| 202165-0-10 | 3 | 202507-0-10 | 13 | 206533-0-00 | 8-9 | 206615-4-00 | 6 | 206695-0-00 | 7 | 207069-0-01 | 3 | 207762-0-00 | 12 |

INDICE NUMERICO INDEX

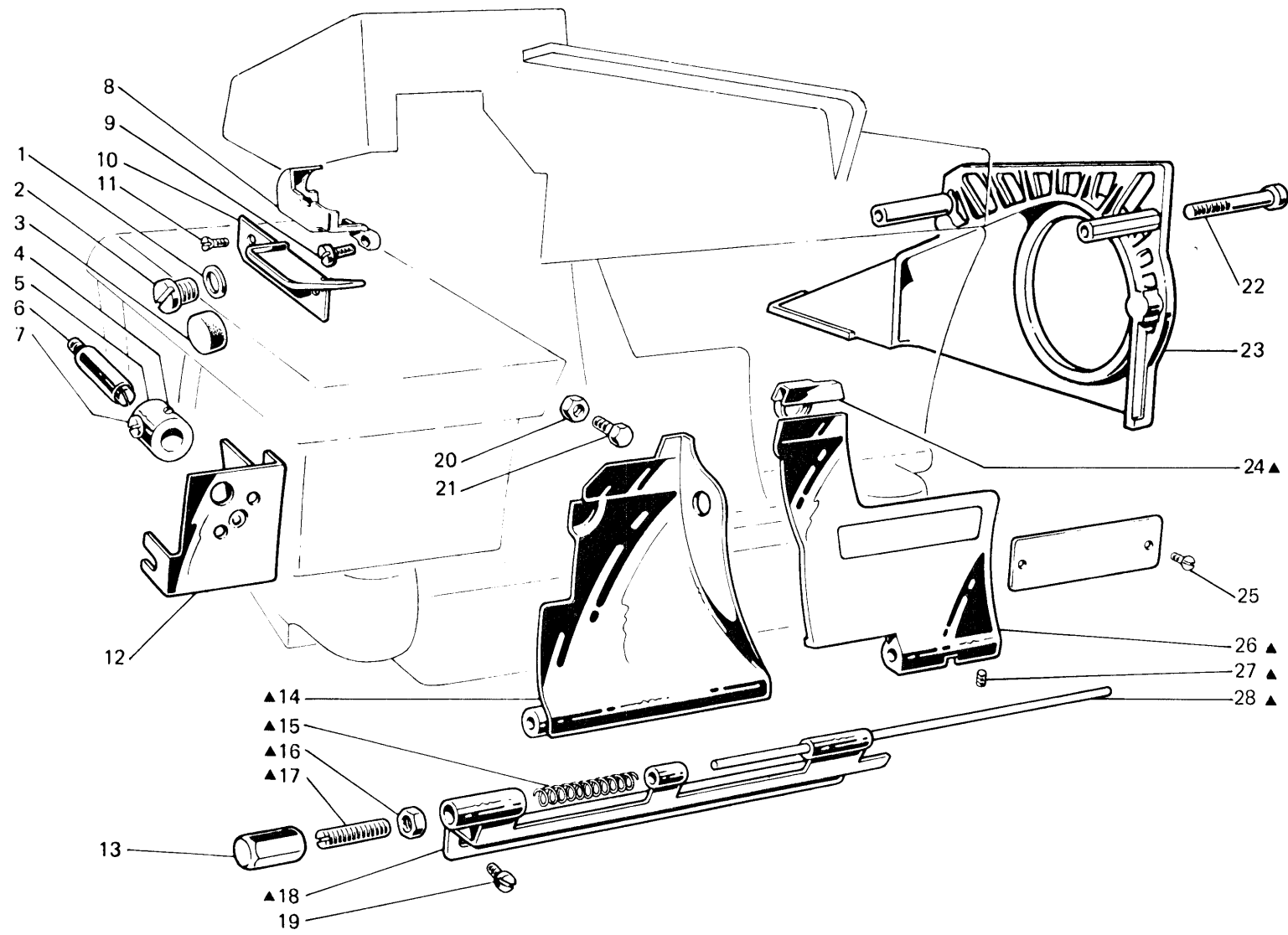
| Part. N. | Tav. N. | Part. N. | Tav. N. | Part. N. | Tav. N. | Part. N. | Tav. N. | Part. N. | Tav. N. | Part. N. | Tav. N. | Part. N. | Tav. N. |
|-------------|---------|-------------|-----------|-------------|----------|-------------|---------|-------------|---------|-------------|---------|----------|---------|
| 207764-3-00 | 4 | 705975-0-00 | 3 | 733508-4-00 | 15-16 | 745126-2-00 | 2 | 900927-0-00 | 15-16 | 991121-3-00 | 17 | | |
| 207770-4-00 | 4 | 705977-0-00 | 12 | 733510-4-00 | 15-16 | 745168-0-00 | 7 | 900928-0-00 | 15-16 | 991128-2-00 | 17 | | |
| 207795-4-00 | 3 | 705982-0-00 | 2 | 740220-2-00 | 6 | 745800-2-00 | 3-7-8 | 900929-0-01 | 15-16 | 991129-3-00 | 17 | | |
| 300218-0-10 | 4 | 720431-2-00 | 4 | 741092-0-00 | 3 | 745803-2-00 | 4 | 900931-0-00 | 15-16 | 991179-0-00 | 17 | | |
| 301586-0-10 | 8-9-10 | 720464-4-00 | 15-16 | 741403-0-00 | 2 | 745810-2-00 | 9 | 901101-0-00 | 15-16 | 991186-0-00 | 15-16 | | |
| 700205-0-00 | 15-16 | 720505-4-00 | 15-16 | 741405-0-00 | 8-9 | 745812-2-00 | 6-7-8-9 | 901102-0-00 | 15-16 | 991186-1-00 | 15-16 | | |
| 700207-0-00 | 6 | 720545-4-00 | 15-16 | 741413-0-00 | 6 | | 10-12 | 901103-0-10 | 16 | 991187-0-00 | 15 | | |
| 701004-0-00 | 6 | 720566-2-00 | 16 | 741413-2-00 | 13 | 746007-2-00 | 2-3-10 | 901104-0-00 | 16 | 991188-0-00 | 16 | | |
| 701006-0-00 | 1 | 721435-2-00 | 3 | 741415-0-00 | 7 | 746008-0-00 | 6 | 901105-0-00 | 16 | 991189-0-00 | 15-16 | | |
| 701007-0-00 | 6 | 721443-2-00 | 13 | 741415-2-00 | 9 | 746020-2-00 | 10 | 925433-0-00 | 17 | 991400-4-00 | 14 | | |
| 701032-0-00 | 12 | 721475-2-00 | 16 | 741431-2-00 | 13 | 746208-2-00 | 3 | 990075-1-13 | 14 | 991415-0-00 | 14 | | |
| 701113-0-00 | 7 | 721484-2-00 | 12 | 741433-0-00 | 10 | 746402-2-00 | 15-16 | 990176-0-10 | 14 | | | | |
| 701116-0-00 | 5 | 721494-2-00 | 10 | 741445-0-00 | 11 | 746409-2-00 | 15-16 | 990179-4-11 | 15-16 | | | | |
| 701133-0-00 | 5 | 721883-0-00 | 7 | 741453-0-00 | 10 | 765200-6-90 | 8-9 | 990180-0-10 | 14 | | | | |
| 701151-0-00 | 12 | 722031-2-00 | 2 | 741539-0-00 | 4 | 778202-0-00 | 7 | 990181-0-10 | 14 | | | | |
| 703005-0-00 | 17 | 722063-2-00 | 1-5-10-12 | 741546-2-00 | 6 | 778203-0-00 | 8-9-10 | 990183-0-12 | 14 | | | | |
| 703210-0-00 | 8-9 | 722431-2-00 | 17 | 741657-0-00 | 4 | 778206-0-00 | 9 | 990310-0-10 | 15-16 | | | | |
| 704009-4-00 | 15-16 | 722442-2-00 | 12 | 741665-2-00 | 13 | 778208-0-00 | 7-8-9 | 990311-0-10 | 15-16 | | | | |
| 704207-2-00 | 4 | 722471-2-00 | 11 | 741724-0-00 | 3 | 778236-0-00 | 7 | 990314-0-10 | 15-16 | | | | |
| 704228-4-00 | 6 | 722905-2-00 | 15-16 | 741745-2-00 | 6 | 778242-0-00 | 2 | 990316-0-10 | 15-16 | | | | |
| 704308-4-00 | 6 | 722917-2-00 | 16 | 741956-2-00 | 3-5 | 778400-0-00 | 8-9 | 990324-0-10 | 14 | | | | |
| 704314-2-00 | 6 | 724032-0-00 | 6-8-9 | 742068-2-00 | 15-16 | 778401-0-00 | 7 | 990325-0-10 | 14 | | | | |
| 704345-2-00 | 15-16 | 724895-2-00 | 6 | 742457-2-00 | 11 | 778407-0-00 | 8-9 | 990335-0-10 | 12 | | | | |
| 704346-2-00 | 15 | 727021-0-00 | 9 | 742758-0-00 | 11 | 778417-0-00 | 1-6-7 | 990474-0-11 | 14 | | | | |
| 704406-0-00 | 11 | 727096-0-00 | 10 | 742811-0-00 | 13 | 778451-0-00 | 5 | 990639-0-10 | 14 | | | | |
| 704409-0-00 | 11 | 727706-0-00 | 8-9 | 743243-2-00 | 7 | 778509-0-00 | 8-9 | 990685-0-10 | 14 | | | | |
| 704409-2-00 | 15-16 | 728272-0-00 | 6 | 743471-2-00 | 5 | 778520-0-00 | 10 | 990694-0-00 | 10 | | | | |
| 704424-2-00 | 15-16 | 729011-2-00 | 4 | 743497-2-00 | 5 | 778826-0-00 | 8-9 | 990981-0-00 | 15-16 | | | | |
| 704536-0-00 | 16 | 729012-2-00 | 9 | 744332-2-00 | 6-8-9-10 | 778828-0-00 | 8-9 | 990982-0-00 | 15-16 | | | | |
| 704808-0-00 | 6 | 729032-2-00 | 6 | 744334-2-00 | 6-8-9-11 | 778832-0-00 | 1 | 990983-0-00 | 15-16 | | | | |
| 704829-0-00 | 6 | 729034-2-00 | 17 | 744510-0-00 | 13 | 778835-0-00 | 11 | 990984-4-00 | 15-16 | | | | |
| 704837-0-00 | 8-9 | 729043-2-00 | 2 | 744533-0-00 | 11 | 778837-0-00 | 8-9 | 990985-0-00 | 14 | | | | |
| 704841-0-00 | 6 | 729051-2-00 | 6-10 | 744621-0-00 | 6 | 788001-0-01 | 4 | 990986-4-00 | 15-16 | | | | |
| 704845-0-00 | 7 | 729054-2-00 | 17 | 744631-2-00 | 4 | 900201-0-10 | 15 | 991106-2-00 | 17 | | | | |
| 704848-0-00 | 7 | 730023-2-00 | 3 | 744654-2-00 | 3 | 900203-0-10 | 15-16 | 991107-2-00 | 17 | | | | |
| 705008-0-00 | 6 | 731107-2-00 | 17 | 744742-0-00 | 2 | 900204-0-10 | 15-16 | 991108-2-00 | 17 | | | | |
| 705029-0-00 | 8-9-11 | 733008-2-00 | 15-16 | 745001-0-00 | 8-9 | 900694-0-11 | 15-16 | 991111-2-00 | 17 | | | | |
| 705201-0-00 | 6 | 733503-0-00 | 4 | 745002-0-00 | 8-9 | 900918-0-00 | 15-16 | 991112-0-00 | 17 | | | | |
| 705208-0-00 | 6 | 733505-2-00 | 10 | 745002-2-00 | 7 | 900920-0-00 | 15-16 | 991113-0-00 | 17 | | | | |
| 705230-0-00 | 6 | 733507-2-00 | 15-16 | 745114-0-00 | 10 | 900925-4-01 | 15-16 | 991114-2-00 | 17 | | | | |
| 705408-0-00 | 6 | 733508-2-00 | 17 | 745125-2-00 | 6 | 900926-0-00 | 15-16 | 991120-5-00 | 17 | | | | |



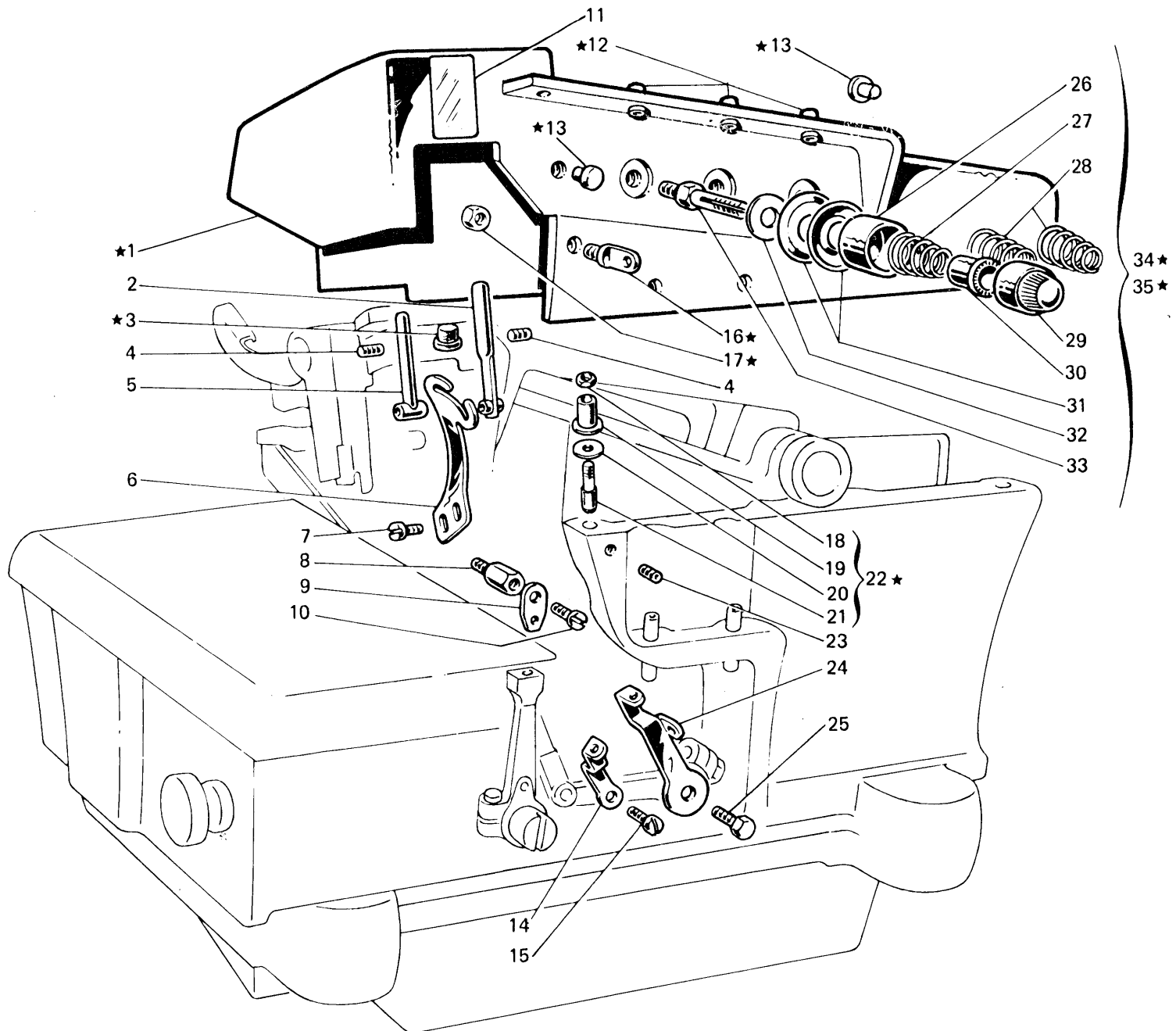
| Fig. N. Abb. N. | Part. N. Bestell N. Piece N. Pieza N. | Qt. Anzahl | DESCRIZIONE | DESCRIPTION | DESCRIPTION | BENENNUNG | DESCRIPCION |
|--------------------|--|---------------|------------------------------|----------------------|---------------------|-----------|-------------|
| ★ | 207473-3-10 | 1 | base con bussole e guidafile | base assembly | base complète | | |
| 1 | 206682-0-01 | 1 | bussola intermedia | intermediary bush | bague intermédiaire | | |
| 2 | 206595-0-00 | 1 | bussola sinistra | left bush | bague gauche | | |
| 3 | 206628-0-00 | 1 | bussola | bush | bague | | |
| 4 | 206651-0-00 | 2 | bussola posteriore | rear bush | bague arrière | | |
| 5 | 778832-0-00 | 1 | stoppino | wick | mèche | | |
| 6 | 202371-0-10 | 2 | spina | pin | goupille | | |
| 7 | 778417-0-00 | 1 | stoppino | wick | mèche | | |
| 8 | 206538-0-00 | 1 | bussola | bush | bague | | |
| 9 | 206629-0-00 | 1 | bussola con anello di tens. | bush | bague | | |
| 10 | 206748-0-00 | 1 | tappo di espansione | plug | bouchon | | |
| 11 | 701006-0-00 | 2 | anello di tenuta | circlip | circlip | | |
| 12 | 202065-0-20 | 2 | bussola anteriore | front bush | bague-avant | | |
| 13 | 206609-0-00 | 1 | guarnizione | gasket | garniture | | |
| 14 | 206608-0-00 | 1 | guida slitte | slides guide | guide glissière | | |
| 15 | 722063-2-00 | 3 | vite | screw | vis | | |
| 16 | 206539-0-00 | 1 | bussola | bush | bague | | |
| 17 | 206740-0-00 | 2 | passafilo | thread guide | passe-fil | | |
| 18 | 206594-0-00 | 1 | bussola | bush | bague | | |
| 19 | 207758-0-00 | 1 | bussola | bush | bague | | |
| 20 | 207479-0-00 | 1 | tassello | small block | tasseau | | |
| 21 | 207478-0-00 | 1 | perno filettato | pin | pivot | | |
| 22 | 207480-2-00 | 1 | tassello con perno | small block with pin | tasseau avec pivot | | |



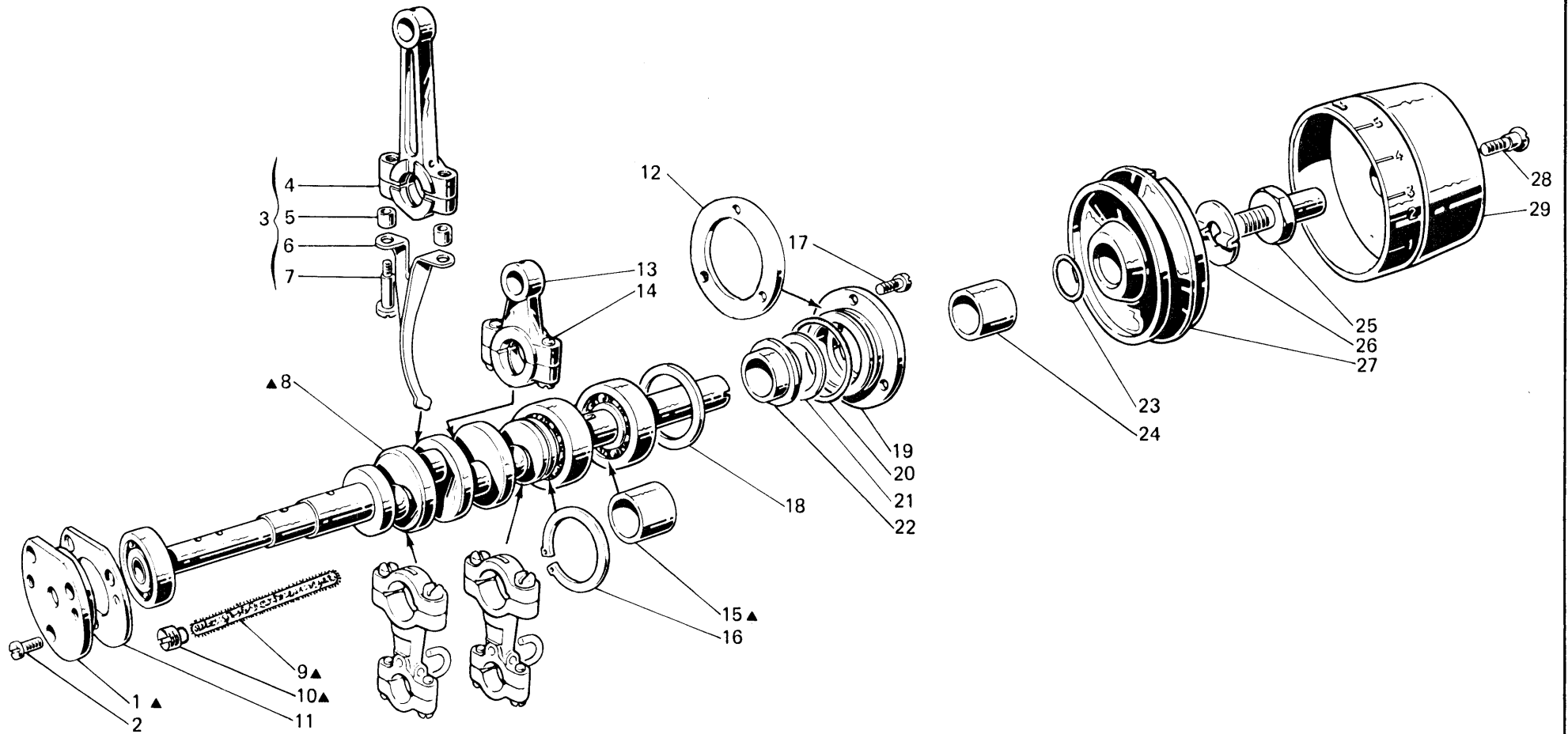
| Fig. N. Abb. N. | Part. N. Piece N. Bestell N. Pieza N. | Qt. Anzahl | DESCRIZIONE | DESCRIPTION | DESCRIPTION | BENENNUNG | DESCRIPCION |
|--------------------|--|---------------|--------------------------------------|--|---|-----------|-------------|
| ▲ | 207170-4-01 | 1 | coperchio cinematismo compl. | cover assembly | couvercle complet | | |
| ★ | 206723-4-01 | 1 | piano di lavoro completo | working plate assembly | plan de travail complet | | |
| 1 | 202026-0-10 | 1 | tappo | plug | bouchon | | |
| 2 | 705982-0-00 | 2 | guarnizione | gasket | garniture | | |
| 3 | 206722-2-01 | 1 | piano di lavoro | working plate | plan de travail | | |
| 4 | 745126-2-00 | 2 | vite | screw | vis | | |
| 5 | 202393-2-10 | 1 | anello con viti | ring with screws | anneau avec vis | | |
| 6 | 206716-0-00 | 1 | molla | ring | ressort | | |
| 7 | 722031-2-00 | 7 | vite | screw | vis | | |
| 8 | 778242-0-00 | 1 | stoppino | wick | mèche | | |
| 9 | 207207-4-00 | 1 | tappo carico olio con stopp. | oil filter plug assembly | bouchon de l'huile compl. | | |
| 10 | 206726-0-11 | 1 | guarnizione | gasket | garniture | | |
| 11 | 741403-0-00 | 2 | vite | screw | vis | | |
| 12 | 729043-2-00 | 2 | vite per salva ago e spingi asola | screw for rear and front needle guard | vis pour protège-aiguille et pare-boucle | | |
| 13 | 206715-0-01 | 1 | vite testa sferica | screw | vis | | |
| 14 | 746007-2-00 | 1 | dado | nut | écrou | | |
| 15 | 206725-2-10 | 1 | coperchio cinematismo | cover | couvercle | | |
| 16 | 207171-0-00 | 1 | squadretta | bracket | équerre | | |
| 17 | 744742-0-00 | 2 | vite per placca ago | screw for needle plate | vis pour plaque à aiguille | | |
| 18 | 206744-0-00 | 1 | tampone | pad | tampon | | |
| 19 | 206534-0-00 | 1 | tappo | plug | bouchon | | |
| 20 | 202398-0-10 | 1 | tappo | plug | bouchon | | |



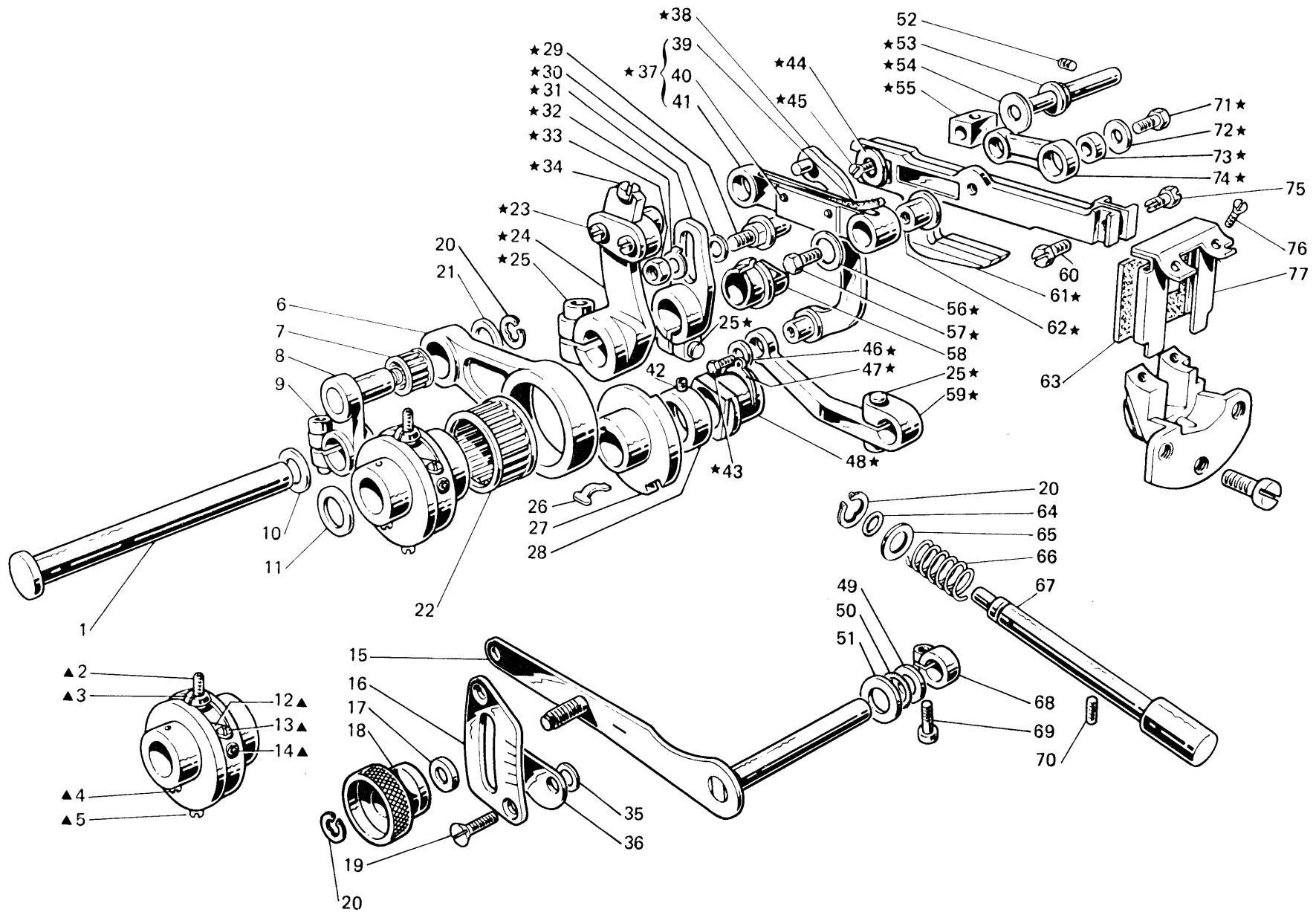
| Fig. N. Abb. N. | Part. N. Bestell N. Pieze N. Pieza N. | Qt. Anzahl | DESCRIZIONE | DESCRIPTION | DESCRIPTION | BENENNUNG | DESCRIPCION |
|--------------------|--|---------------|---------------------------|----------------------|-------------|-----------------------------|-------------|
| ▲ | 207795-4-00 | 1 | sportello ant. compl. | front cover assembly | | carter avant complet | |
| 1 | 705975-0-00 | 1 | rondella in fibra | washer | | rondelle | |
| 2 | 202480-0-10 | 1 | tappo | plug | | bouchon | |
| 3 | 202027-0-10 | 1 | tappo | plug | | bouchon | |
| 4 | 730023-2-00 | 1 | vite | screw | | vis | |
| 5 | 206734-2-00 | 1 | morsetto con viti | clamp with screw | | collier de serrage avec vis | |
| 6 | 207069-0-01 | 1 | vite per carter laterale | screw | | vis | |
| 7 | 721435-2-00 | 1 | vite | screw | | vis | |
| 8 | 206730-0-11 | 1 | vaschetta recupero olio | oil sump | | cuvette huile | |
| 9 | 741956-2-00 | 1 | vite | screw | | vis | |
| 10 | 206735-0-00 | 1 | carter para olio | oil retainer | | carter protection huile | |
| 11 | 744654-2-00 | 3 | vite | screw | | vis | |
| 12 | 207062-2-01 | 1 | carter laterale completo | side cover assembly | | carter latéral compl. | |
| 13 | 207071-0-00 | 1 | cappuccio protez. filetto | protection cap | | capuchon de protection | |
| 14 | 206759-2-00 | 1 | sportello scorrevole | sliding cover | | carter coulissant | |
| 15 | 206768-0-00 | 1 | molla | spring | | ressort | |
| 16 | 746208-2-00 | 1 | dado | nut | | écrou | |
| 17 | 206769-0-10 | 1 | vite di regolazione | adjustment screw | | vis de réglage | |
| 18 | 207487-0-00 | 1 | cerniera | hinge | | charnière | |
| 19 | 741724-0-00 | 4 | vite | screw | | vis | |
| 20 | 746007-2-00 | 1 | dado | nut | | écrou | |
| 21 | 202214-0-10 | 1 | vite | screw | | vis | |
| 22 | 741092-0-00 | 2 | vite per coperchio | screw | | vis | |
| 23 | 207492-0-00 | 1 | coperchio cinghia | cover | | couvercle | |
| 24 | 206764-0-00 | 1 | zoccolo | block | | socle | |
| 25 | 202165-0-10 | 2 | vite | screw | | vis | |
| 26 | 207488-0-00 | 1 | sportello ribaltabile | tipping cover | | porte amovible | |
| 27 | 745800-2-00 | 1 | vite | screw | | vis | |
| 28 | 206767-0-00 | 1 | perno | pin | | pivot | |



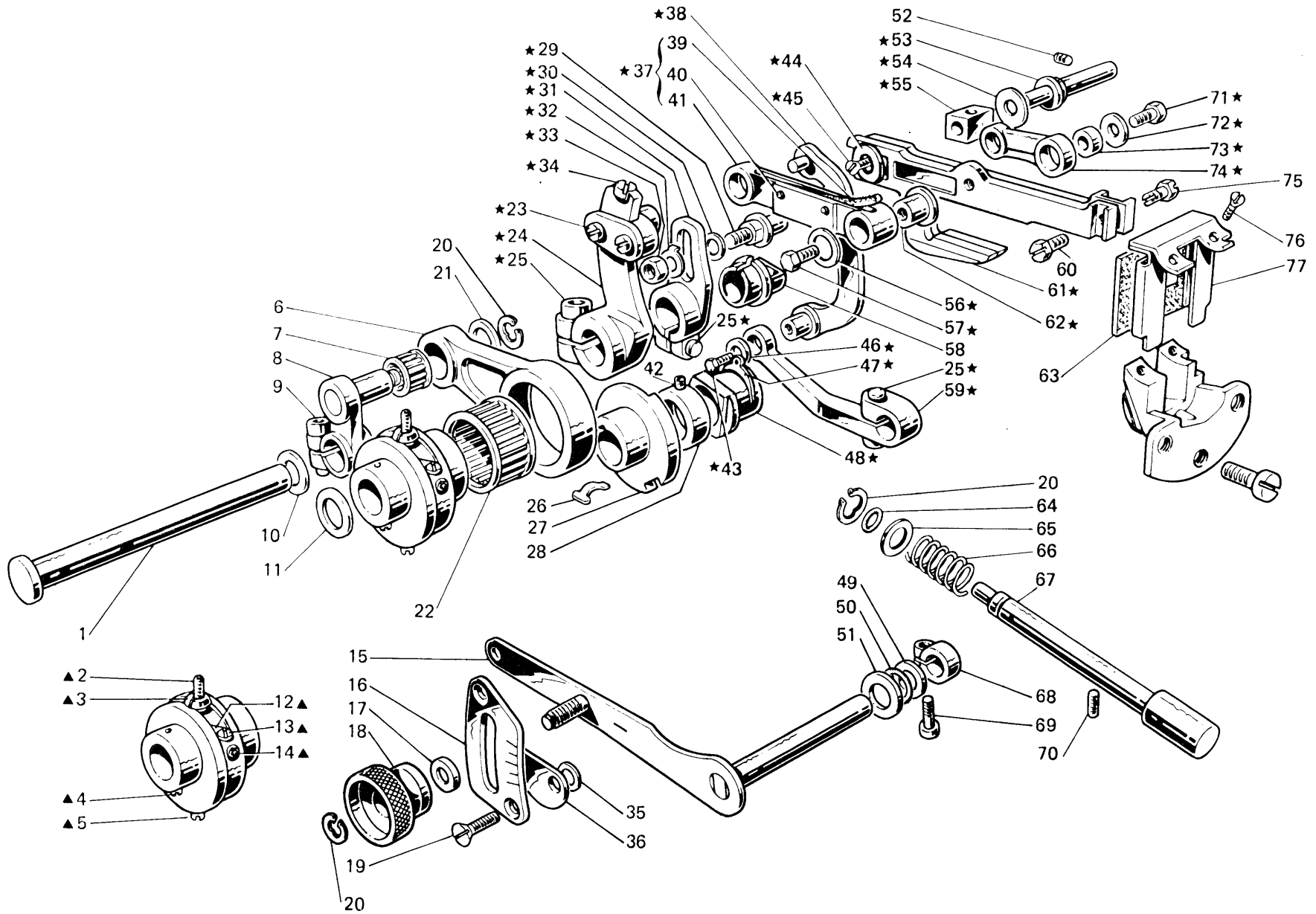
| Fig. N. Abb. N. | Part. N. Bestell N. Piece N. Pieza N. | Qt. Anzahl | DESCRIZIONE | DESCRIPTION | DESCRIPTION | BENENNUNG | DESCRIPCION |
|--------------------|--|---------------|--------------------------------|----------------------------------|-------------------------------------|-----------|-------------|
| ★ | 207770-4-00 | 1 | coperchio superiore compl. | upper cover assembly | couvercle supérieur compl. | | |
| 1 | 207764-3-00 | 1 | coperchio con passafili | cover | couvercle | | |
| 2 | 206714-2-00 | 1 | passafilo | thread guide | passe-fil | | |
| 3 | 206746-0-10 | 2 | tampone | pad | tampon | | |
| 4 | 729011-2-00 | 2 | vite | screw | vis | | |
| 5 | 202267-2-12 | 1 | passafilo dell'ago | thread guide | passe-fil | | |
| 6 | 206573-0-00 | 1 | tendifilo ago | needle thread take-up | tendeur du fil d'aiguille | | |
| 7 | 741539-0-00 | 2 | vite | screw | vis | | |
| 8 | 206755-0-00 | 1 | colonnina per passafilo | threaded tube | tube pour passe-fil | | |
| 9 | 206812-0-00 | 1 | passafilo crochet super. | thread guide for upper looper | passe-fil crochet supérieur | | |
| 10 | 744631-2-00 | 1 | vite | screw | vis | | |
| 11 | 788001-0-01 | 1 | decalc. sist. aghi | needle decalcomania | décalcomanie syst. aiguilles | | |
| 12 | 202271-0-11 | 3 | passafilo | thread guide | passe-fil | | |
| 13 | 206087-0-00 | 2 | tappo | plug | bouchon | | |
| 14 | 202279-0-10 | 1 | tendifilo | thread take-up | tendeur du fil | | |
| 15 | 741657-0-00 | 1 | vite | screw | vis | | |
| 16 | 206711-0-00 | 3 | passafilo | thread guide | passe-fil | | |
| 17 | 733503-0-00 | 3 | dado | nut | écrou | | |
| 18 | 207123-0-00 | 3 | dado | nut | écrou | | |
| 19 | 207122-0-00 | 3 | bussola in gomma | bush | bague | | |
| 20 | 704207-2-00 | 3 | rondella | washer | rondelle | | |
| 21 | 207120-0-00 | 3 | spina | pin | goupille | | |
| 22 | 207124-4-00 | 3 | spina per coperchio super. | pin for cover assembly | goupille pour couvercle compl. | | |
| 23 | 745803-2-00 | 3 | vite | screw | vis | | |
| 24 | 206650-0-00 | 1 | tendifilo crochet inferiore | thread take-up for lower looper | passe-fil crochet inférieur | | |
| 25 | 720431-2-00 | 1 | vite | screw | vis | | |
| 26 | 202556-0-00 | 3 | scodellino | cup | cuvette | | |
| 27 | 202228-0-10 | 1 | molla per tensione fig. 34 | spring for tension fig. 34 | ressort pour tension fig. 34 | | |
| 28 | 202227-0-10 | 2 | molla per tensione fig. 35 | spring for tension fig. 35 | ressort pour tension fig. 35 | | |
| 29 | 202558-2-00 | 3 | pomolo | knob | pommeau | | |
| 30 | 202229-0-10 | 3 | bussola | bush | bague | | |
| 31 | 300218-0-10 | 6 | disco tensione | tension disc | disque tension | | |
| 32 | 206754-0-00 | 3 | rondella | washer | rondelle | | |
| 33 | 206747-0-01 | 3 | perno | pin | pivot | | |
| 34 | 206342-4-00 | 1 | tens. compl. con molla fig. 27 | tension ass. with spring fig. 27 | tension compl. avec ressort fig. 27 | | |
| 35 | 206341-4-00 | 2 | tens. compl. con molla fig. 28 | tension ass. with spring fig. 28 | tension compl. avec ressort fig. 28 | | |



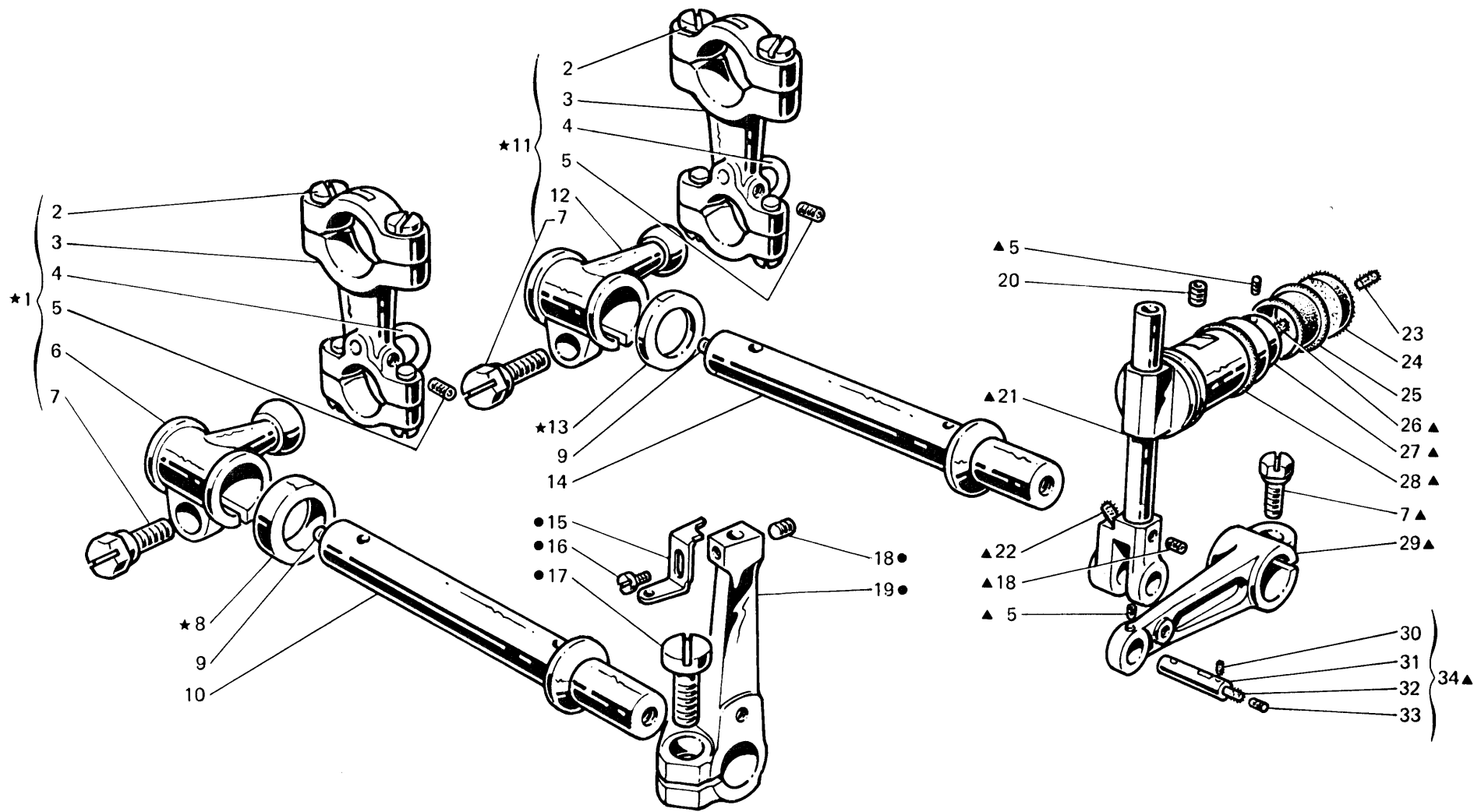
| Fig. N. Abb. N. | Part. N. Bestell N. Piece N. Pieza N. | Qt. Anzahl | DESCRIZIONE | DESCRIPTION | DESCRIPTION | BENENNUNG | DESCRIPCION |
|--------------------|--|---------------|-------------------------------|--------------------------------|-------------------------------------|-----------|-------------|
| ▲ | 207497-4-00 | 1 | albero princ.con cuscinetti | main shaft | arbre princip.avec roulements | | |
| 1 | 206680-0-00 | 1 | flangia sinistra | left flange | flasque gauche | | |
| 2 | 741956-2-00 | 3 | vite | screw | vis | | |
| 3 | 207482-4-01 | 1 | biella con paletta completa | connecting rod assembly | bielle complète | | |
| 4 | 206549-2-00 | 1 | biella albero superiore | upper connecting rod | bielle arbre supérieure | | |
| 5 | 207483-0-00 | 2 | distanziale | spacer | entretoise | | |
| 6 | 207484-0-01 | 1 | paletta sbatti olio | oil blade | palette huile | | |
| 7 | 743497-2-00 | 2 | vite | screw | vis | | |
| 8 | 206702-2-01 | 1 | albero principale | main shaft | arbre principal | | |
| 9 | 778451-0-00 | 1 | stoppino | wick | mèche | | |
| 10 | 206681-0-00 | 1 | tappo a vite | plug | bouchon | | |
| 11 | 206543-0-01 | 1 | guarnizione | gasket | garniture | | |
| 12 | 206544-0-00 | 1 | guarnizione | gasket | garniture | | |
| 13 | 206578-2-00 | 1 | biella com.alb.colt.super. | connecting rod for upper knife | bielle comm.arbre couteau supérieur | | |
| 14 | 743471-2-00 | 2 | vite | screw | vis | | |
| 15 | 207481-0-00 | 1 | distanziale | spacer | entretoise | | |
| 16 | 202386-0-10 | 1 | anello elastico | spring ring | anneau ressort | | |
| 17 | 722063-2-00 | 3 | vite | screw | vis | | |
| 18 | 206689-0-00 | 1 | anello di compensazione | ring | anneau | | |
| 19 | 207459-2-00 | 1 | flangia con anello | flange | flasque | | |
| 20 | 701133-0-00 | 1 | anello di tenuta | circlip | circlip | | |
| 21 | 206693-0-00 | 1 | rondella | washer | rondelle | | |
| 22 | 207485-0-00 | 1 | distanziale | spacer | entretoise | | |
| 23 | 701116-0-00 | 1 | anello di tenuta | circlip | circlip | | |
| 24 | 207486-0-00 | 1 | distanziale | spacer | entretoise | | |
| 25 | 206683-0-00 | 1 | perno volante | pin | pivot | | |
| 26 | 206684-0-00 | 1 | chiavetta alb. principale | key | clavette | | |
| 27 | 206508-0-00 | 1 | volantino | pulley | volant | | |
| 28 | 202492-0-10 | 1 | vite | screw | vis | | |
| 29 | 206679-0-00 | 1 | coperchio volante | pulley cover | couvercle volant | | |
| 27 | 207140-0-00 | 1 | SOLO A RICHIESTA volantino | ONLY ON REQUEST pulley | SEULEMENT SUR DEMANDE volant | | |



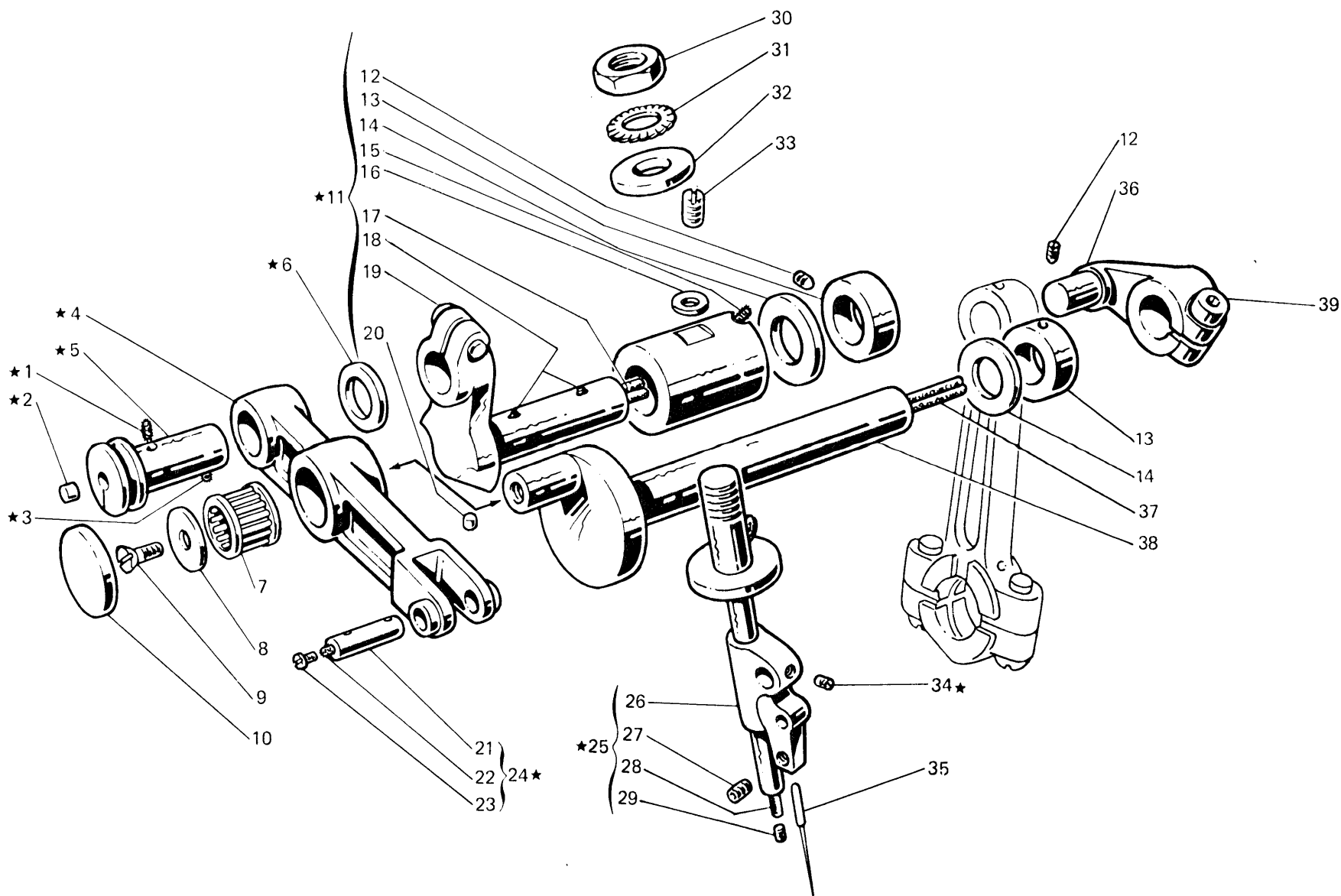
| Fig. N. Abb. N. | Part. N. Bestell N. Piece N. Pieza N. | Qt. Anzahl | DESCRIZIONE | DESCRIPTION | DESCRIPTION | BENENNUNG | DESCRIPCION |
|--------------------|--|---------------|----------------------------------|-------------------------------|------------------------------|-----------|-------------|
| ★ | 207091-4-00 | 1 | gruppo comando griffa | feed dog control assembly | groupe commande griffe | | |
| ▲ | 206604-4-01 | 1 | gruppo eccentric.regol.trasporto | eccentric group | groupe eccentric | | |
| 1 | 206593-0-00 | 1 | contralbero trasporto | transport countershaft | axe transport | | |
| 2 | 729051-2-00 | 1 | vite | screw | vis | | |
| 3 | 206603-0-10 | 1 | fermo eccentrico | eccentric retainer | pièce blocage excentrique | | |
| 4 | 745125-2-00 | 1 | vite | screw | vis | | |
| 5 | 728272-0-00 | 1 | vite | screw | vis | | |
| 6 | 206599-0-01 | 1 | biella comando trasporto | transport connect.rod control | bielle commande transport | | |
| 7 | 201358-0-10 | 1 | gabbia a rullini | needle cage | cage à aiguilles | | |
| 8 | 206598-3-00 | 1 | braccio a manovella con vite | connecting-rod with screws | bras à manivelle avec vis | | |
| 9 | 744334-2-00 | 1 | vite | screw | vis | | |
| 10 | 704841-0-00 | 1 | rondella | washer | rondelle | | |
| 11 | 206602-0-00 | 1 | rondella | washer | rondelle | | |
| 12 | 202412-0-10 | 1 | lardone | gib | lardon | | |
| 13 | 202473-0-11 | 2 | vite | screw | vis | | |
| 14 | 202472-0-10 | 2 | vite | screw | vis | | |
| 15 | 202345-2-21 | 1 | leva comando slitta | lever | levier | | |
| 16 | 207060-0-00 | 1 | settore indice | sector | secteur | | |
| 17 | 704228-4-00 | 1 | rondella | washer | rondelle | | |
| 18 | 202350-0-10 | 1 | bottono rapp. differenz. | differential button | bouton différentiel | | |
| 19 | 724895-2-00 | 2 | vite | screw | vis | | |
| 20 | 700207-0-00 | 3 | anello elastico | spring ring | anneau ressort | | |
| 21 | 206546-0-00 | 1 | rondella | washer | rondelle | | |
| 22 | 202385-0-10 | 1 | gabbia a rullini | needle cage | cage à aiguilles | | |
| 23 | 741546-2-00 | 2 | vite | screw | vis | | |
| 24 | 206592-3-00 | 1 | manovella trasporto con viti | transport crank with screws | manivelle transport avec vis | | |
| 25 | 744332-2-00 | 3 | vite | screw | vis | | |
| 26 | 206872-0-00 | 1 | molla | spring | ressort | | |
| 27 | 206605-0-01 | 1 | eccentrico | eccentric | excentrique | | |
| 28 | 206606-2-00 | 1 | anello di rasamento | shim | bage | | |
| 29 | 202063-0-10 | 1 | spina | pin | goupille | | |
| 30 | 704808-0-00 | 1 | rondella | washer | rondelle | | |
| 31 | 206584-2-00 | 1 | braccio manovella | connecting rod | bras à manivelle | | |
| 32 | 206580-2-00 | 1 | rondella con spina | washer with pin | rondelle avec pivot | | |
| 33 | 746008-0-00 | 1 | dado | nut | écrou | | |
| 34 | 741413-0-00 | 1 | vite | screw | vis | | |
| 35 | 704308-4-00 | 2 | rondella | washer | rondelle | | |
| 36 | 202292-0-10 | 2 | settore arresto leva | sector | secteur | | |
| 37 | 206615-4-00 | 1 | biellino completo | connecting rod assembly | petite bielle complète | | |
| 38 | 202047-2-10 | 1 | leva | lever | levier | | |
| 39 | 778417-0-00 | 1 | stoppino | wick | mèche | | |
| 40 | 200490-0-00 | 2 | spillo | pin | goupille | | |
| 41 | 206587-0-01 | 1 | biellino | connecting rod | petite bielle | | |
| 42 | 745812-2-00 | 2 | vite | screw | vis | | |
| 43 | 740220-2-00 | 1 | vite | screw | vis | | |
| 44 | 202475-0-10 | 1 | rondella | washer | rondelle | | |
| 45 | 724032-0-00 | 1 | vite | screw | vis | | |



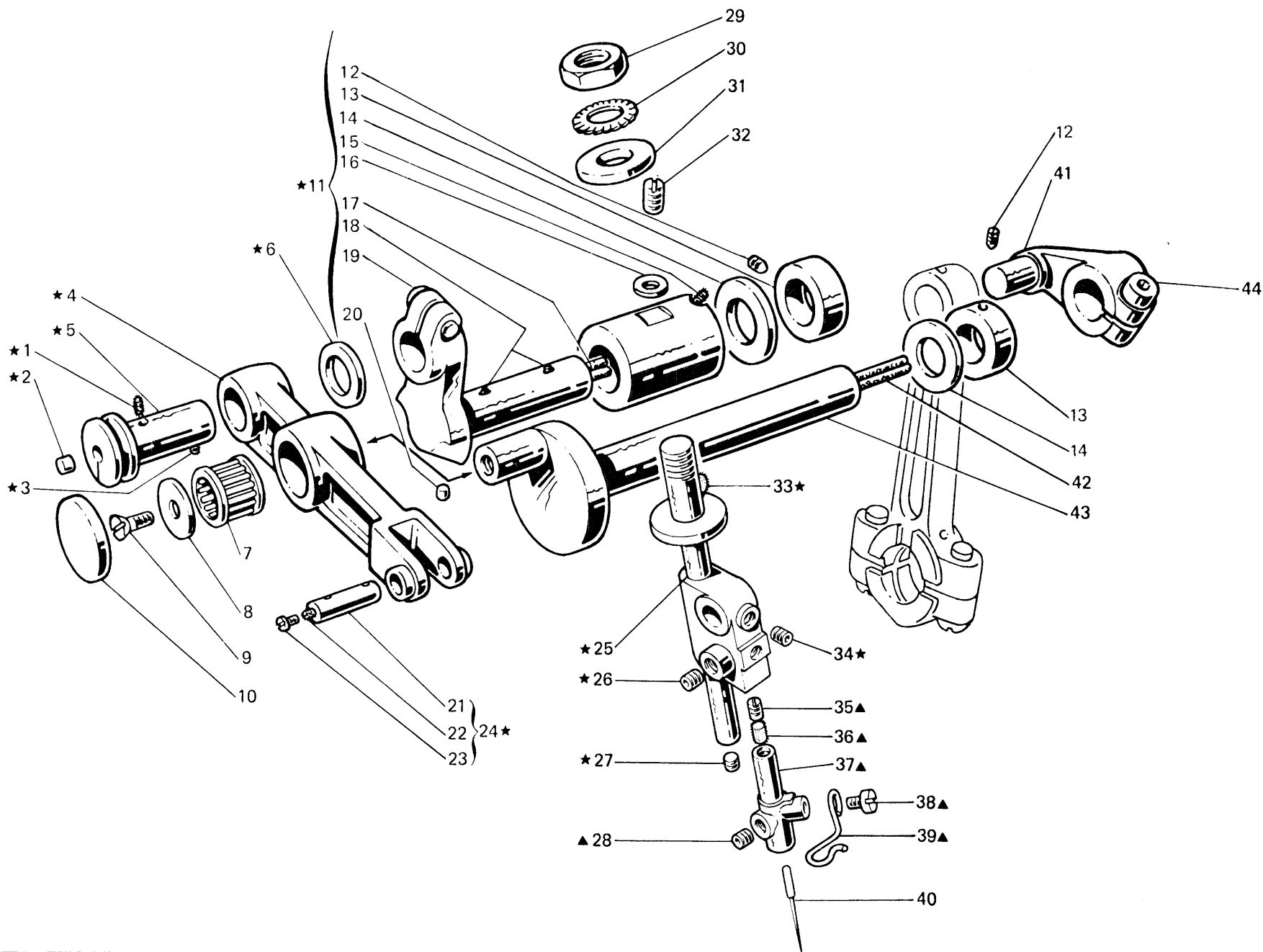
| Fig. N. Abb. N. | Part. N. Bestell N. Piecze N. Pieza N. | Qt. Anzahl | DESCRIZIONE | DESCRIPTION | DESCRIPTION | BENENNUNG | DESCRIPCION |
|--------------------|---|---------------|----------------------------|----------------------|-----------------------------|-----------|-------------|
| 46 | 705201-0-00 | 1 | rondella | washer | rondelle | | |
| 47 | 201610-0-01 | 1 | anello elastico | spring ring | anneau ressort | | |
| 48 | 206617-0-00 | 1 | blocchetto | block | bloc | | |
| 49 | 704829-0-00 | 1 | rondella | washer | rondelle | | |
| 50 | 701007-0-00 | 1 | anello di tenuta | circlip | circlip | | |
| 51 | 705230-0-00 | 1 | rondella | washer | rondelle | | |
| 52 | 202478-0-10 | 1 | vite | screw | vis | | |
| 53 | 206613-0-00 | 1 | perno eccentrico | eccentric pin | pivot excentrique | | |
| 54 | 705408-0-00 | 1 | rondella | washer | rondelle | | |
| 55 | 202033-0-10 | 1 | blocchetto | block | bloc | | |
| 56 | 705008-0-00 | 1 | rondella | washer | rondelle | | |
| 57 | 206588-0-00 | 1 | vite | screw | vis | | |
| 58 | 206619-0-00 | 1 | vaschetta olio | oil sump | cuvette huile | | |
| 59 | 206614-2-01 | 1 | braccio regol. differenz. | differential arm | bras différentiel | | |
| 60 | 202489-0-10 | 1 | vite | screw | vis | | |
| 61 | 206582-3-00 | 1 | gruppo slitta porta griffe | feed dog slide group | groupe support porte-griffe | | |
| 62 | 206586-0-01 | 1 | bussola per biellino | bush | bague | | |
| 63 | 206804-0-00 | 1 | raschia olio | oil scraper | râcheur d'huile | | |
| 64 | 701004-0-00 | 1 | anello | ring | anneau | | |
| 65 | 704314-2-00 | 1 | rondella | washer | rondelle | | |
| 66 | 202408-0-10 | 1 | molla | spring | ressort | | |
| 67 | 207070-0-00 | 1 | pulsante reg.punto | push-button | poussoir réglage point | | |
| 68 | 100620-2-10 | 1 | morsetto con vite | clamp with screws | collier de serrage avec vis | | |
| 69 | 741745-2-00 | 1 | vite | screw | vis | | |
| 70 | 729032-2-00 | 1 | vite | screw | vis | | |
| 71 | 202490-0-10 | 1 | vite | screw | vis | | |
| 72 | 705208-0-00 | 1 | rondella | washer | rondelle | | |
| 73 | 202032-0-11 | 1 | bussolina | bush | bague | | |
| 74 | 206583-0-00 | 1 | biellino | connecting-rod | petite bielle | | |
| 75 | 202488-0-10 | 1 | vite | screw | vis | | |
| 76 | 744621-0-00 | 2 | vite | screw | vis | | |
| 77 | 206803-2-00 | 1 | telaio raschiaolio | oil scraper frame | râcheur d'huile | | |



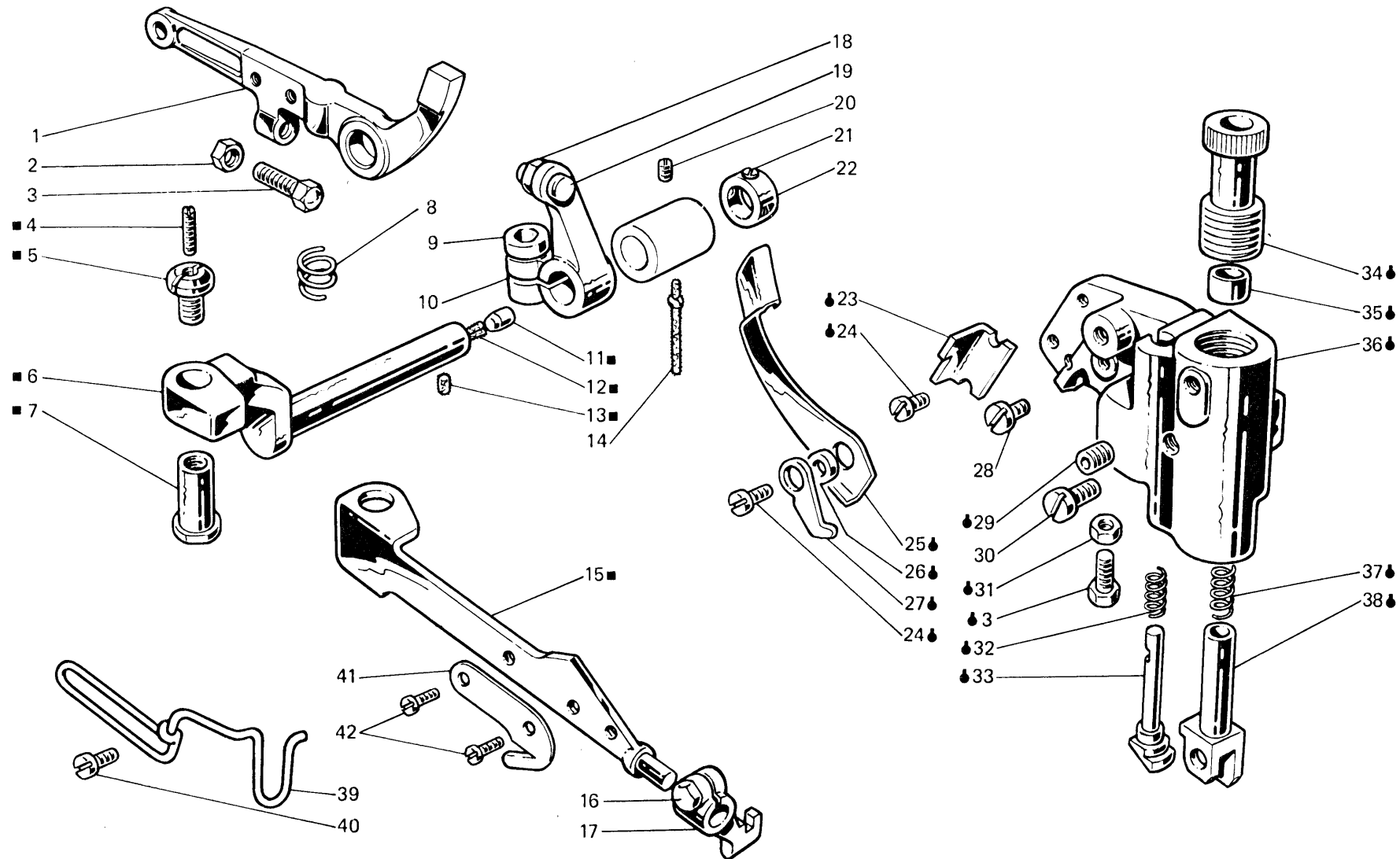
| Fig. N. Abb. N. | Part. N. Piecce N. Bestell N. Pieza N. | Ot. Anzahl | DESCRIZIONE | DESCRIPTION | DESCRIPTION | BENENNUNG | DESCRIPCION |
|--------------------|---|---------------|------------------------------|------------------------------|--------------------------------|-----------|-------------|
| ★ | 206400-4-00 | 1 | gruppo manicotti com.crochet | looper control coupling ass. | groupe manchon comm.crochet | | |
| ▲ | 206415-4-00 | 1 | gruppo com. crochet super. | upper looper control ass. | groupe comm.crochet supérieur | | |
| ● | 206968-4-00 | 1 | gruppo porta crochet inf. | lower looper holder ass. | groupe porte crochet inférieur | | |
| 1 | 206453-4-00 | 1 | gruppo manicotto con biella | coupling ass. with con-rod | groupe manchon avec bielle | | |
| 2 | 743243-2-00 | 8 | vite per biella | screw | vis | | |
| 3 | 202071-2-10 | 2 | biella con viti | con rod with screws | bielle avec vis | | |
| 4 | 206643-0-00 | 2 | cavalotto | coupling | cavalier | | |
| 5 | 745800-2-00 | 5 | vite | screw | vis | | |
| 6 | 206659-2-01 | 1 | manicotto | coupling | manchon | | |
| 7 | 201128-0-10 | 3 | vite | screw | vis | | |
| 8 | 704845-0-00 | 1 | rondella | washer | rondelle | | |
| 9 | 206695-0-00 | 2 | tappo per albero | plug for shaft | bouchon pour arbre | | |
| 10 | 207096-2-00 | 1 | albero crochet inferiore | shaft lower looper | arbre crochet inférieur | | |
| 11 | 206452-4-00 | 1 | gruppo manicotto con biella | coupling with con-rod ass. | groupe manchon avec bielle | | |
| 12 | 206658-2-02 | 1 | manicotto | coupling | manchon | | |
| 13 | 704848-0-00 | 1 | rondella | washer | rondelle | | |
| 14 | 207095-2-00 | 1 | albero crochet superiore | upper looper shaft | arbre crochet supérieur | | |
| 15 | 202288-0-10 | 1 | squadretta | bracket | équerre | | |
| 16 | 741415-0-00 | 1 | vite | screw | vis | | |
| 17 | 721883-0-00 | 1 | vite | screw | vis | | |
| 18 | 745812-2-00 | 2 | vite | screw | vis | | |
| 19 | 206654-2-10 | 1 | porta crochet inferiore | lower looper holder | porta crochet inférieur | | |
| 20 | 745168-0-00 | 1 | vite | screw | vis | | |
| 21 | 206410-3-00 | 1 | guida oscillante | oscillating guide | guide oscillant | | |
| 22 | 778208-0-00 | 1 | stoppino | wick | mèche | | |
| 23 | 778236-0-00 | 1 | stoppino | wick | mèche | | |
| 24 | 206686-0-00 | 1 | disco lubrificazione guida | disc | disque | | |
| 25 | 202720-0-00 | 1 | paraolio | oil retainer | pare-huile | | |
| 26 | 778417-0-00 | 1 | stoppino | wick | mèche | | |
| 27 | 202062-2-10 | 1 | anello con vite | ring with screw | anneau avec vis | | |
| 28 | 701113-0-00 | 1 | anello di tenuta | circlip | circlip | | |
| 29 | 206652-2-00 | 1 | braccio | arm | bras | | |
| 30 | 778202-0-00 | 4 | stoppino | wick | mèche | | |
| 31 | 202086-0-10 | 1 | spina | pin | goupille | | |
| 32 | 778401-0-00 | 1 | stoppino | wick | mèche | | |
| 33 | 745002-2-00 | 1 | vite | screw | vis | | |
| 34 | 206645-4-00 | 1 | spina completa | pin assembly | goupille compl. | | |



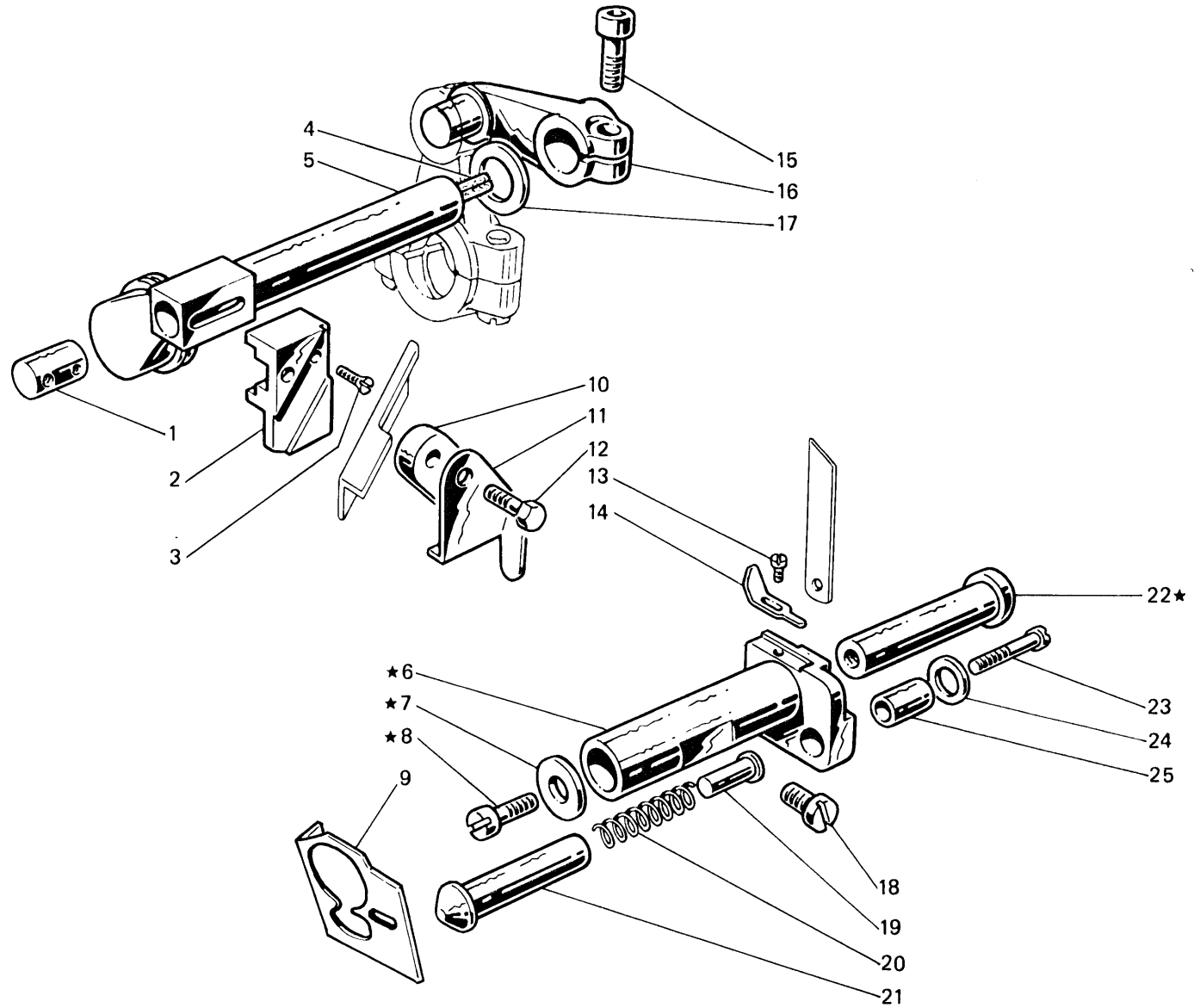
| Fig. N. Abb. N. | Part N. Bestell N. Piece N. Pieza N. | Qt. Anzahl | DESCRIZIONE | DESCRIPTION | DESCRIPTION | BENENNUNG | DESCRIPCION |
|--------------------|---|---------------|--------------------------------|----------------------------|---|-----------|-------------|
| ★ | 206425-4-01 | 1 | cinematismo comando ago | needle control assembly | cinématisme comm.aiguille | | |
| 1 | 778826-0-00 | 1 | stoppino | wick | mèche | | |
| 2 | 206521-0-00 | 1 | tappo | plug | bouchon | | |
| 3 | 778828-0-00 | 1 | stoppino | wick | mèche | | |
| 4 | 206516-0-01 | 1 | leva | lever | levier | | |
| 5 | 206525-3-00 | 1 | perno con stoppini e tappo | pin with wick and plug | pivot avec mèches et bouchon | | |
| 6 | 704837-0-00 | 1 | rondella | washer | rondelle | | |
| 7 | 206518-0-00 | 1 | gabbia a rullino | needle cage | cage à aiguille | | |
| 8 | 206531-0-00 | 1 | rondella | washer | rondelle | | |
| 9 | 724032-0-00 | 1 | vite | screw | vis | | |
| 10 | 206533-0-00 | 1 | coperchio per leva | cover for lever | couvercle pour levier | | |
| 11 | 206522-3-02 | 1 | albero a manovella con bussole | shaft with bushes | arbre avec bagues | | |
| 12 | 745812-2-00 | 2 | vite | screw | vis | | |
| 13 | 206606-2-00 | 2 | anello | ring | anneau | | |
| 14 | 705029-0-00 | 2 | rondella | washer | rondelle | | |
| 15 | 778509-0-00 | 1 | stoppino | wick | mèche | | |
| 16 | 206886-0-00 | 1 | dischetto | disc | disque | | |
| 17 | 778407-0-00 | 1 | stoppino | wick | mèche | | |
| 18 | 778203-0-00 | 4 | stoppino | wick | mèche | | |
| 19 | 744332-2-00 | 1 | vite | screw | vis | | |
| 20 | 301586-0-10 | 1 | tappo | plug | bouchon | | |
| 21 | 202154-0-11 | 1 | spina | pin | goupille | | |
| 22 | 778208-0-00 | 1 | stoppino | wick | mèche | | |
| 23 | 741405-0-00 | 1 | vite | screw | vis | | |
| 24 | 206529-4-01 | 1 | spina completa | pin assembly | goupille compl. | | |
| 25 | 206815-4-00 | 1 | morsetto con barra compl. | clamp assembly | collier de serrage compl. | | |
| 26 | 206814-3-00 | 1 | morsetto con barra con fig.27 | clamp with bar with fig.27 | collier de serrage avec barre avec fig.27 | | |
| 27 | 745800-2-00 | 1 | vite | screw | vis | | |
| 28 | 778400-0-00 | 1 | stoppino | wick | mèche | | |
| 29 | 745001-0-00 | 1 | vite | screw | vis | | |
| 30 | 206506-0-00 | 1 | dado | nut | écrou | | |
| 31 | 703210-0-00 | 1 | rondella | washer | rondelle | | |
| 32 | 206514-0-00 | 1 | rondella | washer | rondelle | | |
| 33 | 727706-0-00 | 1 | vite | screw | vis | | |
| 34 | 745002-0-00 | 1 | vite | screw | vis | | |
| 35 | 765200-6-90 | 1 | ago sist. Rim 27 fin.90 | needle syst. Rim27 size 90 | aiguilles syst. Rim.27 jauge 90 | | |
| 36 | 206540-2-00 | 1 | manovella alb.sup.con vite | con-rod with screw | bras arbre sup. avec vis | | |
| 37 | 778837-0-00 | 1 | stoppino | wick | mèche | | |
| 38 | 206530-4-00 | 1 | albero a manovella completo | shaft assembly | arbre complet | | |
| 39 | 744334-2-00 | 1 | vite per manovella | screw | vis | | |



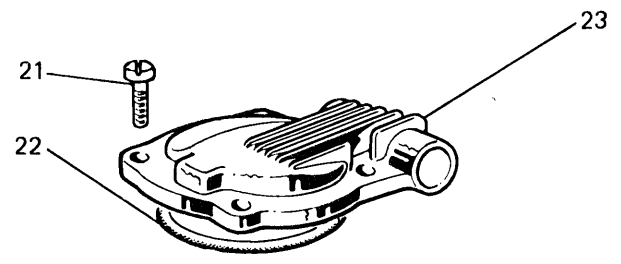
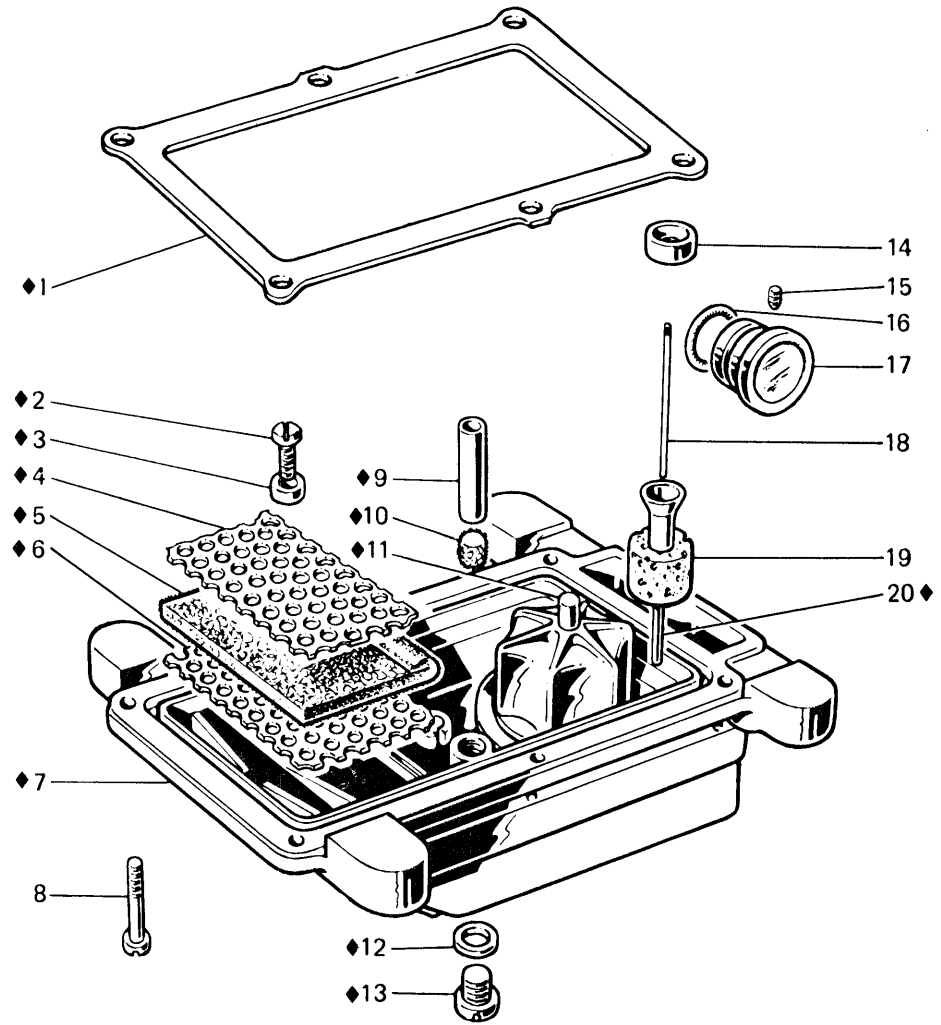
| Fig. N. Abb. N. | Part. N. Piece N. Bestell N. Pieza N. | Qt. Anzahl | DESCRIZIONE | DESCRIPTION | DESCRIPTION | BENENNUNG | DESCRIPCION |
|--------------------|--|---------------|--------------------------------|-----------------------------|--------------------------------|-----------|-------------|
| ★ | 207501-4-00 | 1 | cinematismo comando ago | needle control assembly | cinématisme comm. aiguille | | |
| ▲ | 207510-4-00 | 1 | morsetto porta aghi compl. | needles clamp assembly | porte-aiguilles complet | | |
| 1 | 778826-0-00 | 1 | stoppino | wick | mèche | | |
| 2 | 206521-0-00 | 1 | tappo | plug | bouchon | | |
| 3 | 778828-0-00 | 1 | stoppino | wick | mèche | | |
| 4 | 206516-0-01 | 1 | leva | lever | levier | | |
| 5 | 206525-3-00 | 1 | perno con stoppini e tappo | pin with wick and plug | pivot avec mèches et bouchon | | |
| 6 | 704837-0-00 | 1 | rondella | washer | rondelle | | |
| 7 | 206518-0-00 | 1 | gabbia a rullino | needle cage | cage à aiguille | | |
| 8 | 206531-0-00 | 1 | rondella | washer | rondelle | | |
| 9 | 724032-0-00 | 1 | vite | screw | vis | | |
| 10 | 206533-0-00 | 1 | coperchio per leva | cover for lever | couvercle pour levier | | |
| 11 | 206522-3-02 | 1 | albero a manovella con bussole | shaft with bushes | arbre avec bagues | | |
| 12 | 745812-2-00 | 2 | vite | screw | vis | | |
| 13 | 206606-2-00 | 2 | anello | ring | anneau | | |
| 14 | 705029-0-00 | 2 | rondella | washer | rondelle | | |
| 15 | 778509-0-00 | 1 | stoppino | wick | mèche | | |
| 16 | 206886-0-00 | 1 | dischetto | disc | disque | | |
| 17 | 778407-0-00 | 1 | stoppino | wick | mèche | | |
| 18 | 778203-0-00 | 4 | stoppino | wick | mèche | | |
| 19 | 744332-2-00 | 1 | vite | screw | vis | | |
| 20 | 301586-0-10 | 1 | tappo | plug | bouchon | | |
| 21 | 202154-0-11 | 1 | spina | pin | goupille | | |
| 22 | 778208-0-00 | 1 | stoppino | wick | mèche | | |
| 23 | 741405-0-00 | 1 | vite | screw | vis | | |
| 24 | 206529-4-01 | 1 | spina completa | pin assembly | goupille compl. | | |
| 25 | 207506-4-00 | 1 | morsetto con barra compl. | clamp assembly | collier de serrage compl. | | |
| 26 | 729012-2-00 | 1 | vite | screw | vis | | |
| 27 | 745001-0-00 | 1 | vite | screw | vis | | |
| 28 | 745810-2-00 | 1 | vite | screw | vis | | |
| 29 | 206506-0-00 | 1 | dado | nut | écrou | | |
| 30 | 703210-0-00 | 1 | rondella | washer | rondelle | | |
| 31 | 206514-0-00 | 1 | rondella | washer | rondelle | | |
| 32 | 727706-0-00 | 1 | vite | screw | vis | | |
| 33 | 778400-0-00 | 1 | stoppino | wick | mèche | | |
| 34 | 745002-0-00 | 1 | vite | screw | vis | | |
| 35 | 727021-0-00 | 1 | vite | screw | vis | | |
| 36 | 778206-0-00 | 1 | stoppino | wick | mèche | | |
| 37 | 207520-2-00 | 1 | morsetto porta aghi | needles clamp | porte-aiguilles | | |
| 38 | 741415-2-00 | 1 | vite | screw | vis | | |
| 39 | 207540-0-00 | 1 | guidafilo | thread guide | guide-fil | | |
| 40 | 765200-6-90 | 1 | ago sist. Rim 27 fin. 90 | needle syst. Rim 27 size 90 | aiguille syst. Rim 27 jauge 90 | | |
| 41 | 206540-2-00 | 1 | manovella alb. sup. con vite | con-rod with screw | bras avec vis | | |
| 42 | 778837-0-00 | 1 | stoppino | wick | mèche | | |
| 43 | 206530-4-00 | 1 | albero a manovella compl. | shaft assembly | arbre complet | | |
| 44 | 744334-2-00 | 1 | vite per manovella | screw | vis | | |



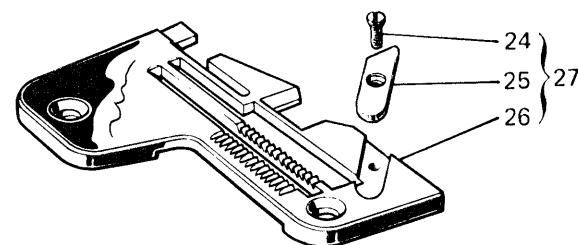
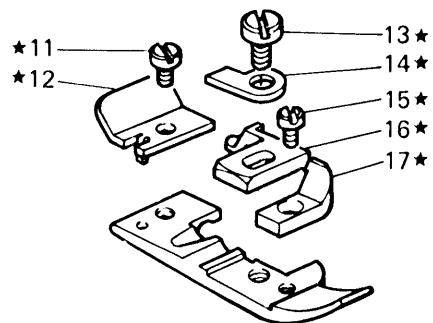
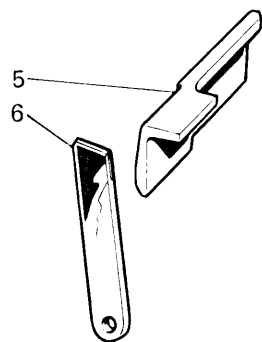
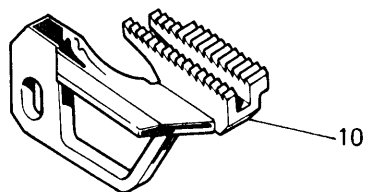
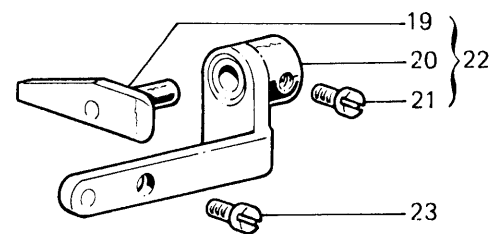
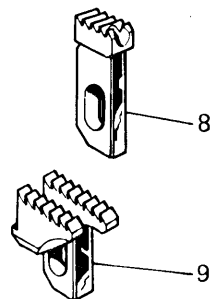
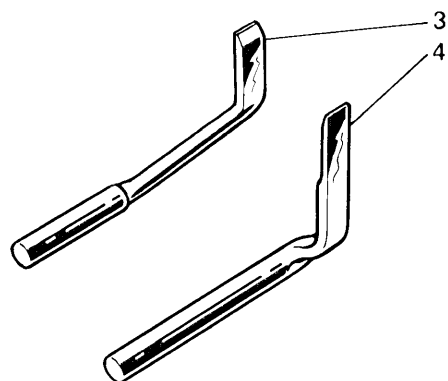
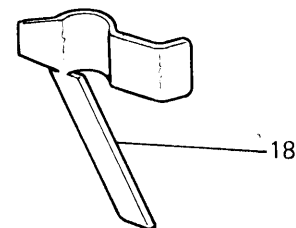
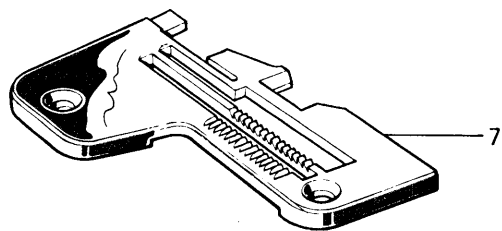
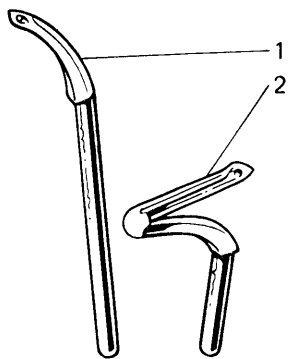
| Fig. N. Abb. N. | Part. N. Bestell N. Piece N. Pieza N. | Qt. Anzahl | DESCRIZIONE | DESCRIPTION | DESCRIPTION | BENENNUNG | DESCRIPCION |
|--------------------|--|---------------|--|---------------------------------------|--|-----------|-------------|
| ◆ | 206446-4-10 | 1 | gruppo supporto premistoffa | presser support assembly | groupe support pied presseur | | |
| ■ | 206809-4-00 | 1 | leva premistoffa con perno | presser lever | levier du pied presseur | | |
| 1 | 206630-2-01 | 1 | leva alza premistoffa | lever | levier | | |
| 2 | 733505-2-00 | 1 | dado | nut | écrou | | |
| 3 | 202214-0-10 | 2 | vite | screw | vis | | |
| 4 | 729051-2-00 | 1 | vite | screw | vis | | |
| 5 | 202529-0-10 | 1 | perno di fermo | pin | pivot | | |
| 6 | 206626-3-01 | 1 | perno con tappo e stoppini | pin with plug and wicks | pivot avec bouchon et mèches | | |
| 7 | 206622-0-00 | 1 | spina | pin | pivot | | |
| 8 | 206621-0-00 | 1 | molla richiamo leva alza premist. | spring | ressort | | |
| 9 | 744332-2-00 | 1 | vite | screw | vis | | |
| 10 | 206623-2-11 | 1 | leva arresto premist.con viti | lever | levier | | |
| 11 | 301586-0-10 | 1 | pastiglia | plug | bouchon | | |
| 12 | 778520-0-00 | 1 | stoppino | wick | mèche | | |
| 13 | 778203-0-00 | 1 | stoppino | wick | mèche | | |
| 14 | 206620-0-00 | 1 | stoppino buss.perno leva premist. | wick | mèche | | |
| 15 | 206808-0-00 | 1 | leva | lever | levier | | |
| 16 | 204947-0-10 | 1 | vite | screw | vis | | |
| 17 | 206810-2-00 | 1 | attacco a morsetto premist. | coupling | raccord | | |
| 18 | 746020-2-00 | 1 | dado | nut | écrou | | |
| 19 | 727096-0-00 | 1 | vite | screw | vis | | |
| 20 | 745812-2-00 | 1 | vite | screw | vis | | |
| 21 | 745114-0-00 | 2 | vite | screw | vis | | |
| 22 | 206644-2-00 | 1 | anello con viti | ring | anneau | | |
| 23 | 206639-0-00 | 1 | arresto | stopping | butée | | |
| 24 | 722063-2-00 | 3 | vite | screw | vis | | |
| 25 | 206636-0-00 | 1 | leva | lever | levier | | |
| 26 | 206637-0-00 | 1 | distanziale | spacer | entretoise | | |
| 27 | 206635-0-00 | 1 | nasello | snug | déclit | | |
| 28 | 721494-2-00 | 1 | vite | screw | vis | | |
| 29 | 202391-0-11 | 1 | vite | screw | vis | | |
| 30 | 206642-0-00 | 1 | vite | screw | vis | | |
| 31 | 746007-2-00 | 1 | dado | nut | écrou | | |
| 32 | 202110-0-10 | 1 | molla | spring | ressort | | |
| 33 | 206634-0-00 | 1 | tirante | tie-rod | tirant | | |
| 34 | 206633-0-10 | 1 | vite | screw | vis | | |
| 35 | 206882-0-00 | 1 | distanziale | spacer | entretoise | | |
| 36 | 206640-0-10 | 1 | supporto | support | support | | |
| 37 | 203142-0-10 | 1 | molla | spring | ressort | | |
| 38 | 206632-2-00 | 1 | cannotto | column | fourche | | |
| 39 | 990694-0-00 | 1 | salvadita | protection | protection | | |
| 40 | 741453-0-00 | 2 | vite | screw | vis | | |
| 41 | 202194-0-10 | 1 | SOLO A RICHIESTA piastrina taglia catenella | ONLY ON REQUEST chain cutter sheet | SEULEMENT SUR DEMANDE plaquette coupe-chaînette | | |
| 42 | 741433-0-00 | 2 | vite | screw | vis | | |



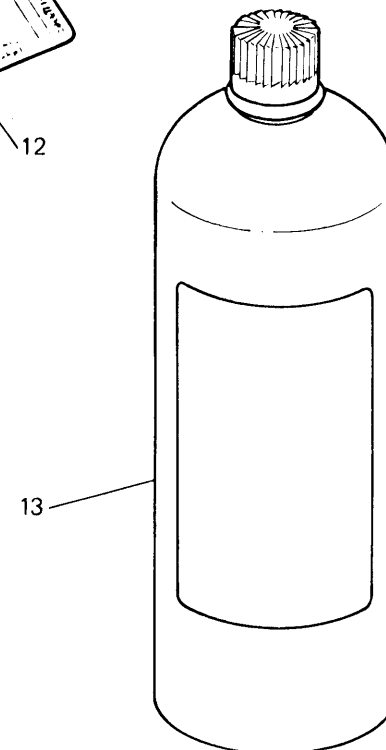
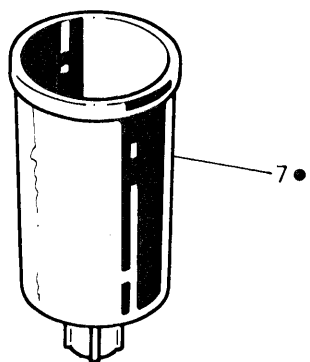
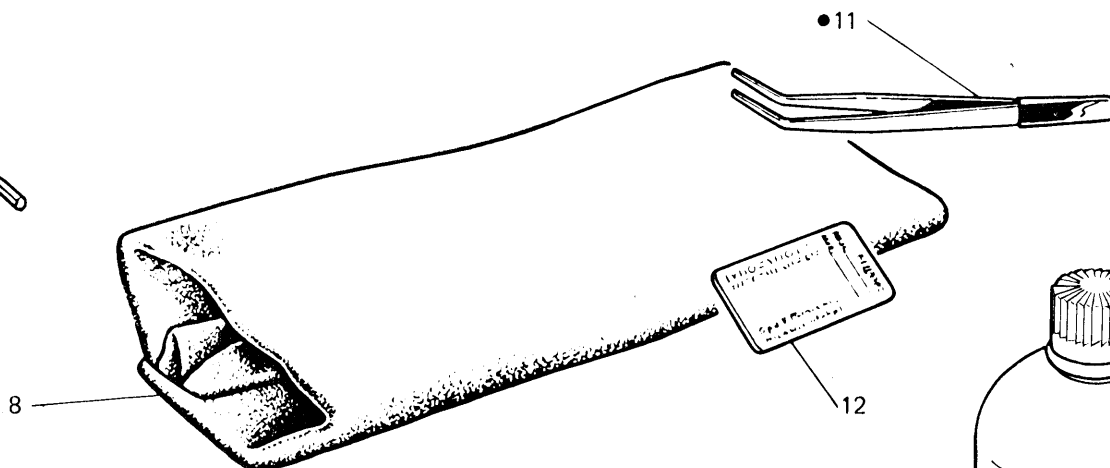
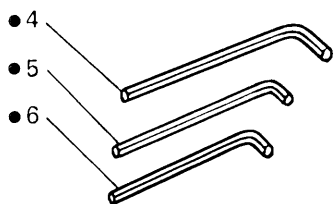
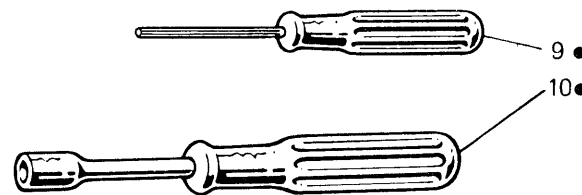
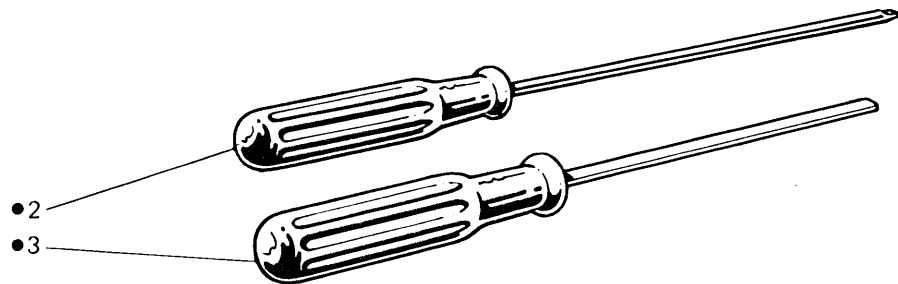
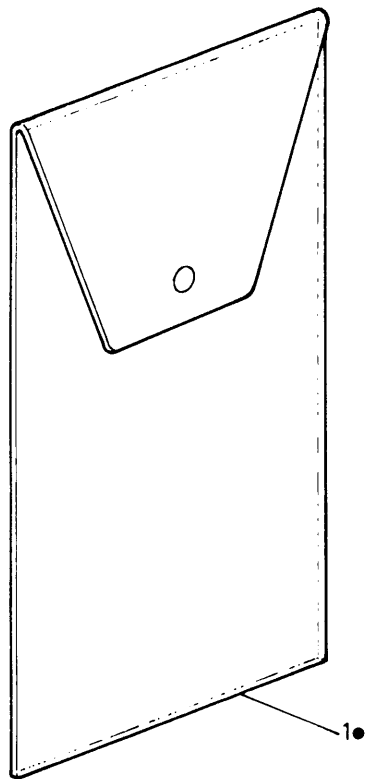
| Fig. N. Abb. N. | Part. N. Piece N. Bestell N. Pieza N. | Qt. Anzahl | DESCRIZIONE | DESCRIPTION | DESCRIPTION | BENENNUNG | DESCRIPCION |
|--------------------|--|---------------|---------------------------------|-----------------------------|--------------------------------|-----------|-------------|
| ★ | 202133-4-10 | 1 | porta coltello inferiore compl. | lower knife holder assembly | | | |
| 1 | 202130-0-11 | 1 | perno | pin | porte couteau inférieur compl. | | |
| 2 | 202127-0-10 | 1 | placchetta | plate | pivot | | |
| 3 | 744533-0-00 | 1 | vite | screw | plaquette | | |
| 4 | 778835-0-00 | 1 | stoppino | wick | vis | | |
| 5 | 206572-4-00 | 1 | albero colt.sup.con stoppino | shaft | mèche | | |
| 6 | 202132-0-10 | 1 | porta coltello inferiore | lower knife holding | arbre | | |
| 7 | 704409-0-00 | 1 | rondella | washer | porte couteau inférieur | | |
| 8 | 742457-2-00 | 1 | vite | screw | rondelle | | |
| 9 | 203774-0-10 | 1 | piastra ferma salva ago | plate | vis | | |
| 10 | 202131-0-10 | 1 | nasello | snug | plaquette | | |
| 11 | 200663-0-10 | 1 | carterino | cover | déclit | | |
| 12 | 202496-0-10 | 1 | vite | screw | carter | | |
| 13 | 741445-0-00 | 1 | vite | screw | vis | | |
| 14 | 203775-0-10 | 1 | squadretta | bracket | vis | | |
| 15 | 744334-2-00 | 1 | vite | screw | équerre | | |
| 16 | 206574-2-00 | 1 | manov.alb.colt.super. | crank | vis | | |
| 17 | 705029-0-00 | 1 | rondella | washer | manivelle | | |
| 18 | 742758-0-00 | 1 | vite | screw | rondelle | | |
| 19 | 206758-0-10 | 1 | puntalino | pin | vis | | |
| 20 | 202128-0-10 | 1 | molla | spring | pivot | | |
| 21 | 206757-0-00 | 1 | bussola | bush | ressort | | |
| 22 | 202134-0-11 | 1 | perno | pin | bague | | |
| 23 | 722471-2-00 | 1 | vite | screw | pivot | | |
| 24 | 704406-0-00 | 1 | rondella | washer | vis | | |
| 25 | 202129-0-10 | 1 | bussola | bush | rondelle | | |
| | | | | | bague | | |



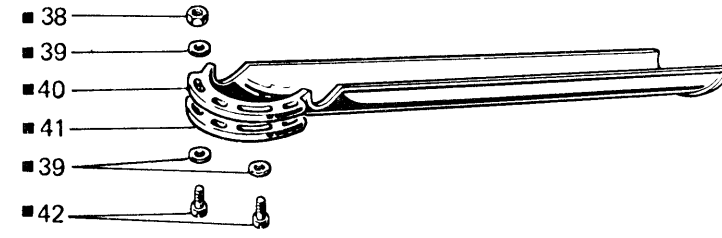
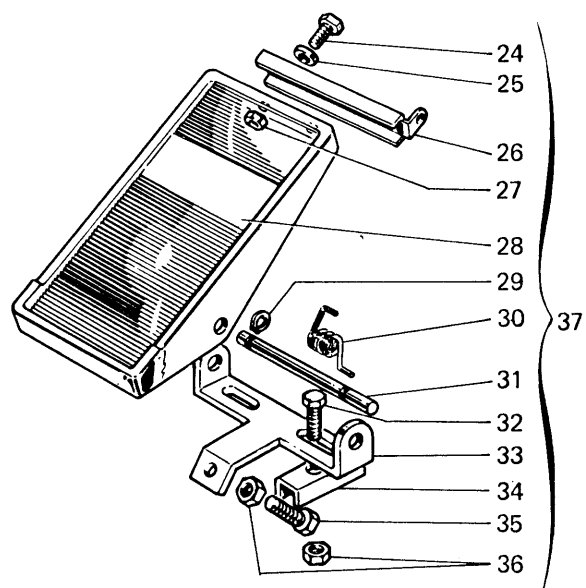
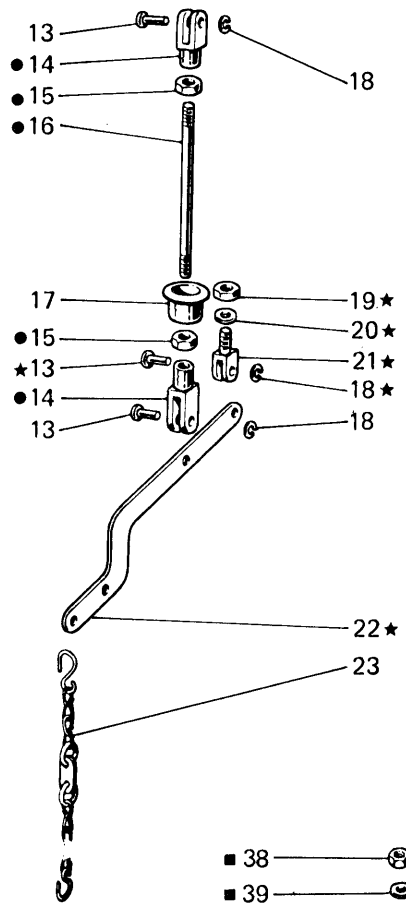
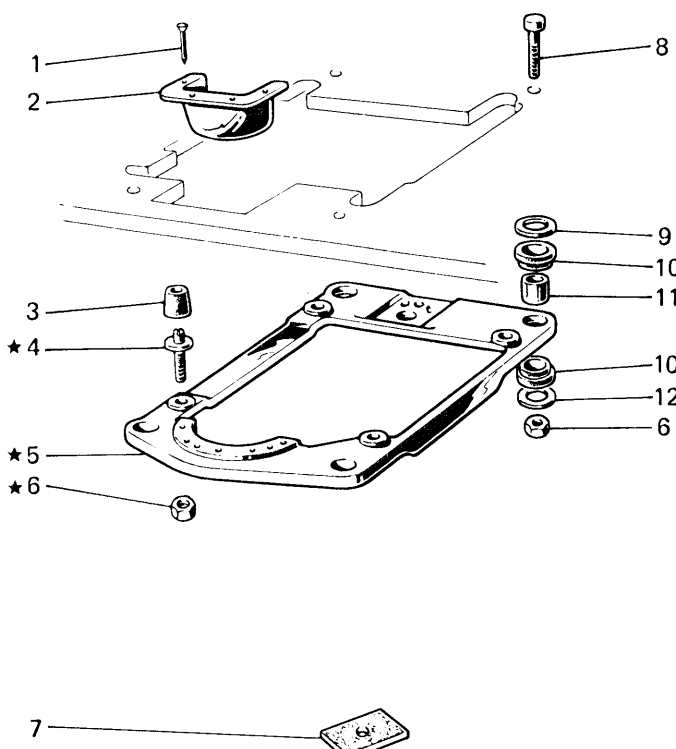
| Fig. N. Abb. N. | Part. N. Piece N. Bestell N. Pieza N. | Qt. Anzahl | DESCRIZIONE | DESCRIPTION | DESCRIPTION | BENENNUNG | DESCRIPCION |
|--------------------|--|---------------|--------------------------|-------------------|-------------|-------------------------|-------------|
| ◆ | 207490-4-02 | 1 | bacinella olio completa | oil sump assembly | | | |
| 1 | 207762-0-00 | 1 | guarnizione bacinella | gasket | | réservoir huile complet | |
| 2 | 721484-2-00 | 1 | vite | screw | | garniture | |
| 3 | 990335-0-10 | 1 | distanziale | spacer | | vis | |
| 4 | 206567-0-00 | 1 | lamiera forata superiore | upper sheet | | entretoise | |
| 5 | 206566-0-00 | 1 | filtro | filter | | plaque supérieure | |
| 6 | 206565-0-00 | 1 | lamiera forata inferiore | lower sheet | | filtre | |
| 7 | 207489-3-01 | 1 | bacinella | sump | | plaque inférieure | |
| 8 | 722442-2-00 | 6 | vite | screw | | réservoir | |
| 9 | 206568-0-01 | 1 | tubetto | tube | | vis | |
| 10 | 206569-0-01 | 1 | filtro | filter | | tube | |
| 11 | 207499-0-00 | 1 | tappo | plug | | filtre | |
| 12 | 705977-0-00 | 1 | rondella | washer | | bouchon | |
| 13 | 206564-0-00 | 1 | tappo | plug | | rondelle | |
| 14 | 206667-0-00 | 1 | tappo decompressione | plug | | bouchon | |
| 15 | 745812-2-00 | 1 | vite | screw | | bouchon | |
| 16 | 701032-0-00 | 1 | anello di tenuta | retainer ring | | vis | |
| 17 | 207756-0-00 | 1 | indicatore livello olio | oil level gauge | | bague d'étanchéité | |
| 18 | 207757-0-00 | 1 | astina ind. livello olio | stick | | indicateur niveau huile | |
| 19 | 206665-2-00 | 1 | galleggiante completo | float assembly | | tige | |
| 20 | 206662-0-00 | 1 | spina | pin | | flotteur complet | |
| 21 | 722063-2-00 | 4 | vite | screw | | goupille | |
| 22 | 701151-0-00 | 1 | anello di tenuta | retainer ring | | vis | |
| 23 | 207759-2-00 | 1 | coperchio | cover | | bague d'étanchéité | |
| | | | | | | couvercle | |



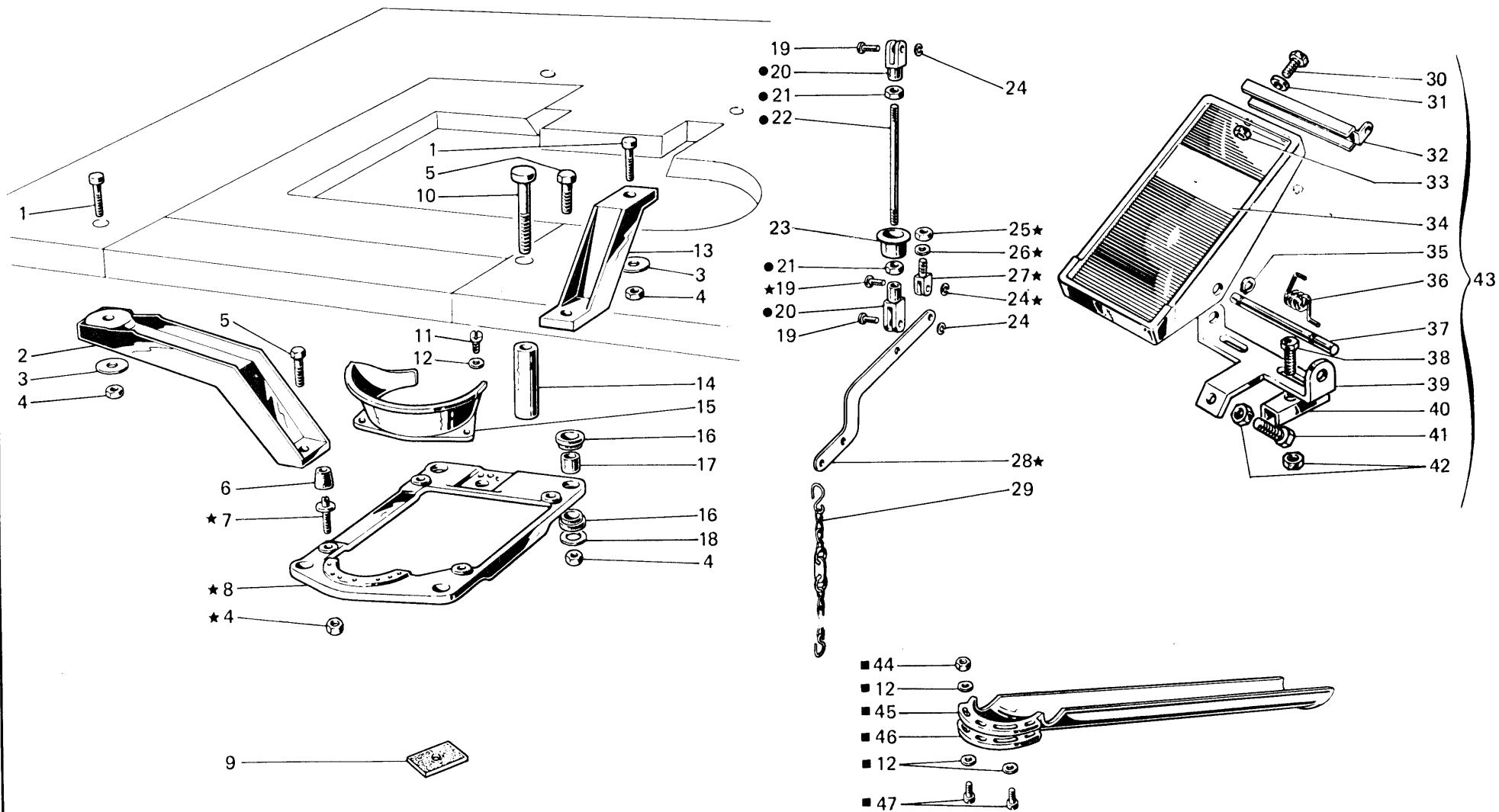
| Fig. N. Abb. N. | Part. N. Bestell N. Piece N. Pieza N. | Qt. Anzahl | DESCRIZIONE | DESCRIPTION | DESCRIPTION | BENENNUNG | DESCRIPCION |
|--------------------|--|---------------|---------------------------------|---------------------------------|---|-----------|-------------|
| ★ | 202171-3-11 | 1 | piedino completo | presserfoot assembly | | | |
| 1 | 204021-0-10 | 1 | crochet superiore | upper looper | pied-presseur complet | | |
| 2 | 202095-0-11 | 1 | crochet inferiore | lower looper | crochet supérieur | | |
| 3 | 202140-0-10 | 1 | salva ago | rear needle guard | crochet inférieur | | |
| 4 | 202137-0-11 | 1 | spingi asola | front needle guard | protège-aiguille | | |
| 5 | 202142-0-10 | 2 | coltello superiore | upper knife | pare-boucle | | |
| 6 | 202146-0-10 | 2 | coltello inferiore | lower knife | couteau supérieur | | |
| 7 | 202504-0-11 | 1 | placca ago larg. costa 4,1 mm | needle plate width bight 4,1 mm | couteau inférieur | | |
| 8 | 202061-0-10 | 1 | griffino | chaining feed dog | plaque à aiguille largeur surjet 4,1 mm | | |
| 9 | 202057-0-10 | 1 | griffa sussidiaria | subsidiary feed dog | petite griffe | | |
| 10 | 202053-0-10 | 1 | griffa principale | main feed dog | griffe subsidiaire | | |
| 11 | 741413-2-00 | 1 | vite | screw | griffe principale | | |
| 12 | 202192-0-10 | 1 | piastrina | plate | vis | | |
| 13 | 741665-2-00 | 1 | vite | screw | plaque | | |
| 14 | 202201-0-11 | 1 | staffa | bracket | vis | | |
| 15 | 741431-2-00 | 1 | vite | screw | bride | | |
| 16 | 202195-0-11 | 1 | linguetta | tongue | vis | | |
| 17 | 202184-0-11 | 1 | blocchetto | block | languette | | |
| | | | SOLO A RICHIESTA | ONLY ON REQUEST | SEULEMENT SUR DEMANDE | | |
| 1 | 202092-0-10 | 1 | crochet superiore cieco | upper looper | crochet supérieur | | |
| | 204033-0-10 | 1 | crochet superiore | upper looper | crochet supérieur | | |
| 2 | 202094-0-11 | 1 | crochet inferiore | lower looper | crochet inférieur | | |
| 5 | 202143-0-10 | 1 | coltello superiore | upper knife | couteau supérieur | | |
| 7 | 202148-0-11 | 1 | placca ago larg. costa 4,6 mm | needle plate width bight 4,6 mm | plaque à aiguille largeur surjet 4,6 mm | | |
| | 202507-0-10 | 1 | placca ago larg. costa 5 mm | needle plate width bight 5 mm | plaque à aiguille largeur surjet 5 mm | | |
| | 202508-0-10 | 1 | placca ago larg. costa 5,6 mm | needle plate width bight 5,6 mm | plaque à aiguille largeur surjet 5,6 mm | | |
| | 202590-0-11 | 1 | placca ago larg. costa 6 mm | needle plate width bight 6 mm | plaque à aiguille largeur surjet 6 mm | | |
| 9 | 202060-2-11 | 1 | griffa sussidiaria in Vulkollan | subsidiary feed dog | griffe subsidiaire | | |
| | 202559-0-00 | 1 | griffa sussidiaria | subsidiary feed dog | griffe subsidiaire | | |
| | 202758-0-00 | 1 | griffa sussidiaria | subsidiary feed dog | griffe subsidiaire | | |
| 10 | 202056-2-11 | 1 | griffa principale in Vulkollan | main feed dog | griffe principale | | |
| | 202517-0-00 | 1 | griffa principale | main feed dog | griffe principale | | |
| | 202757-0-00 | 1 | griffa principale | main feed dog | griffe principale | | |
| 18 | 202300-0-10 | 1 | guida per non tagliare tessuto | guide | guide | | |
| 19 | 202769-2-10 | 1 | guida | guide | guide | | |
| 20 | 202772-2-10 | 1 | squadretta | bracket | équerre | | |
| 21 | 742811-0-00 | 1 | vite | screw | vis | | |
| 22 | 202767-4-10 | 1 | guida per non tagliare tessuto | guide | guide | | |
| 23 | 721443-2-00 | 1 | vite | screw | vis | | |
| 24 | 744510-0-00 | 1 | vite | screw | vis | | |
| 25 | 202302-0-10 | 1 | piastrina | plate | plaque | | |
| 26 | 202505-0-10 | 1 | placca ago larg. costa 4,1 mm | needle plate width bight 4,1 mm | plaque à aiguille largeur surjet 4,1 mm | | |
| 27 | 202506-4-11 | 1 | placca ago con piastrina | needle plate with sheet | plaque à aiguille avec plaque | | |



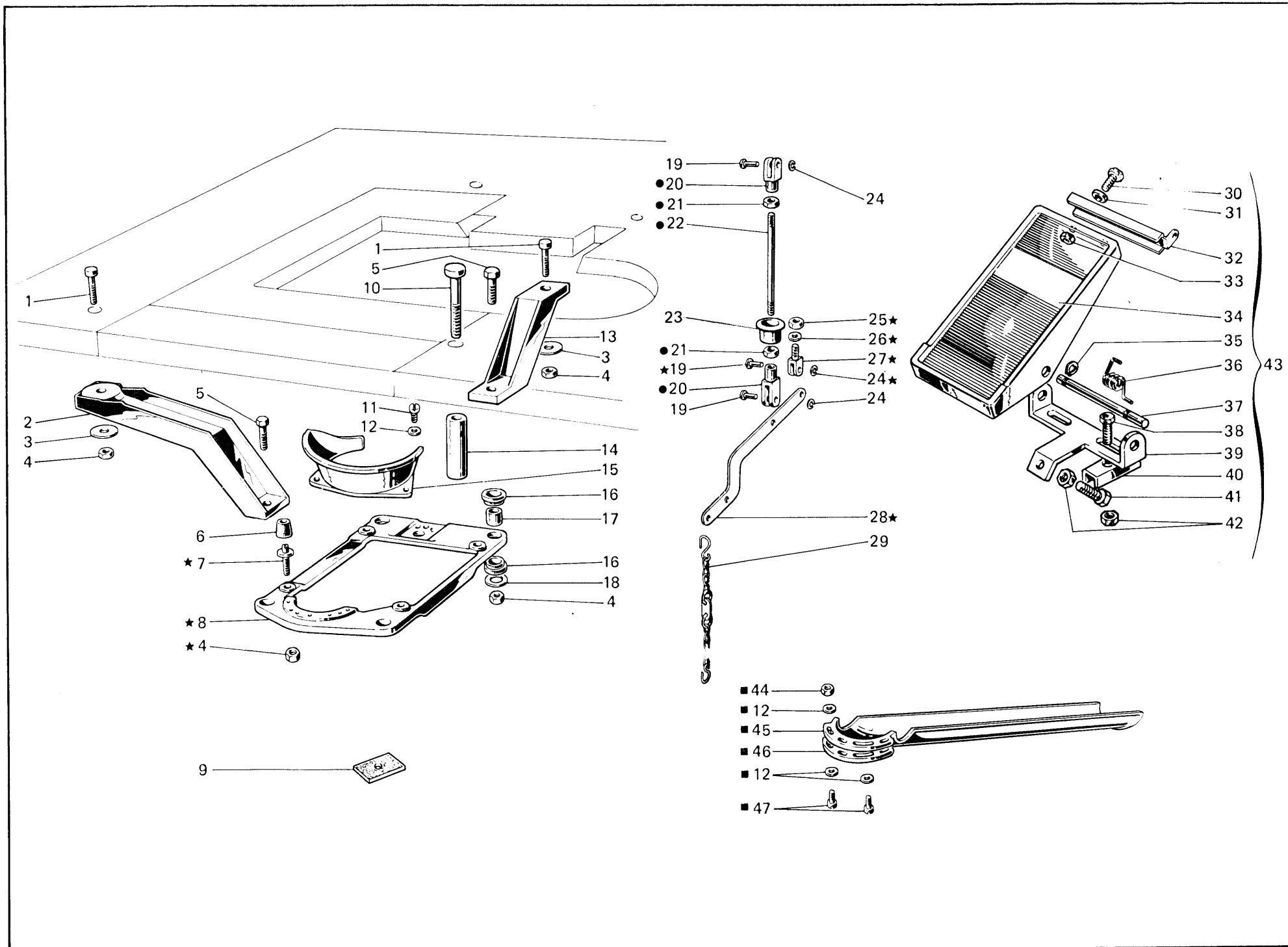
| Fig. N. Abb. N. | Part. N. Bestell N. Pieza N. | Qt. Anzahl | DESCRIZIONE | DESCRIPTION | DESCRIPTION | BENENNUNG | DESCRIPCION |
|--------------------|------------------------------------|---------------|--|--|---|-----------|-------------|
| ● | 991400-4-00 | 1 | busta accessori completa | accessories envelope assembly | envelope accessoires complète | | |
| 1 | 991415-0-00 | 1 | busta accessori | accessoires envelope | envelope accessoires | | |
| 2 | 990180-0-10 | 1 | cacciavite grande | screw driver | gros tournevis | | |
| 3 | 990181-0-10 | 1 | cacciavite medio | screw driver | tournevis moyen | | |
| 4 | 990639-0-10 | 1 | chiave esag.da 3 mm | 3 mm. ehexagonal key | clé hexagonale de 3 mm | | |
| 5 | 990685-0-10 | 1 | chiave esag.da 2,5 mm | 2,5 mm ehexagonal key | clé hexagonal de 2,5 mm | | |
| 6 | 990325-0-10 | 1 | chiave esag.da 2 mm. | 2 mm ehexagonal key | clé hexagonale de 2 mm | | |
| 7 | 990985-0-00 | 1 | imbuto | oil funnel | entonnoir | | |
| 8 | 990183-0-12 | 1 | cuffia protezione testa | machine cover | couverture protection tête | | |
| 9 | 990474-0-11 | 1 | chiave esag. da 1,5 mm. | 1,5 mm ehexagonal key | clé hexagonale de 1,5 mm | | |
| 10 | 990324-0-10 | 1 | chiave a tuboda 7 mm | 7 mm key | clé de 7 mm | | |
| 11 | 990176-0-10 | 1 | pinza per infilatura | threading clers | pince pour enfilage | | |
| 12 | ★ | 1 | bustina aghi | needles packet | paquette aiguilles | | |
| 13 | 990075-1-13 | 1 | lattina olio da 1 kg. | oil container 1 Kg | bidon huile de 1 Kg | | |
| | | | ★per l'ordinazione della bustina citare lo stesso simbolo dell'ago montato sulla testa | to order packet of needles pleasi specify symbol of needle fitted on machine | pour commander un sachet d'aiguille donner le symbol de l'aiguille montée sur la tête | | |



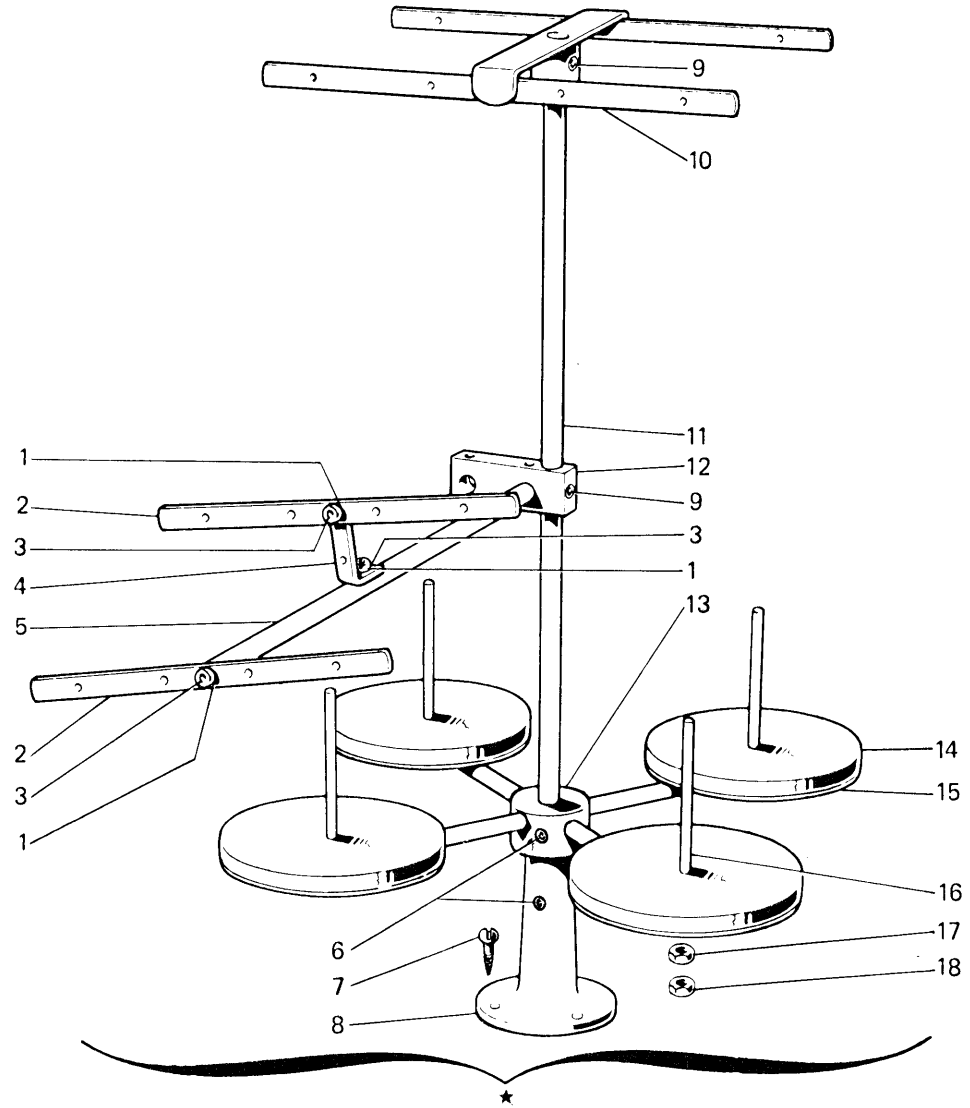
| Fig. N. Abb. N. | Part. N. Bestell N. Piece N. Pieza N. | Qt. Anzahl | DESCRIZIONE | DESCRIPTION | DESCRIPTION | BENENNUNG | DESCRIPCION |
|--------------------|--|---------------|---|---|---|-----------|-------------|
| ★ | 990986-4-00 | 1 | PIAZZAMENTO NORMALE supporto testa completo | NORMAL SETTING head support assembly | INSTALLATION NORMAL support tête complet | | |
| ● | 990984-4-00 | 1 | tirante alza piedino completo | presser tie rod assembly | tirant pour soulèvement pied-presseur | | |
| 1 | 900201-0-10 | 4 | chiodino | rivet | clou | | |
| 2 | 991187-0-00 | 1 | bocchetta | cup | bouche | | |
| 3 | 990982-0-00 | 4 | ammortizzatore | shock absorber | amortisseur | | |
| 4 | 900694-0-11 | 4 | perno | pin | pivot | | |
| 5 | 990981-0-00 | 1 | supporto testa | head support | support tête | | |
| 6 | 733008-2-00 | 8 | dado | nut | écrou | | |
| 7 | 900203-0-10 | 4 | ammortizzatori per tavola | shock absorber | amortisseur | | |
| 8 | 722905-2-00 | 4 | vite | screw | vis | | |
| 9 | 704346-2-00 | 4 | rondella | washer | rondelle | | |
| 10 | 901101-0-00 | 8 | ammortizzatore | shock absorber | amortisseur | | |
| 11 | 901102-0-00 | 4 | distanziale | spacer | entretoise | | |
| 12 | 704345-2-00 | 4 | rondella | washer | rondelle | | |
| 13 | 990311-0-10 | 3 | perno | pin | pivot | | |
| 14 | 990310-0-10 | 2 | giunto | joint | joint | | |
| 15 | 746402-2-00 | 2 | dado | nut | écrou | | |
| 16 | 990983-0-00 | 1 | tirante | tie-rod | tirant | | |
| 17 | 900204-0-10 | 1 | bussola | bush | bage | | |
| 18 | 700205-0-00 | 3 | anello elastico | spring ring | anneau ressort | | |
| 19 | 746409-2-00 | 1 | dado | nut | écrou | | |
| 20 | 704424-2-00 | 1 | rondella | washer | rondelle | | |
| 21 | 990314-0-10 | 1 | supportino | support | support | | |
| 22 | 990316-0-10 | 1 | leva | lever | levier | | |
| 23 | 990179-4-11 | 1 | catenella completa | chain assembly | chaînette complète | | |
| 24 | 720464-4-00 | 2 | vite | screw | vis | | |
| 25 | 704009-4-00 | 2 | rondella | washer | rondelle | | |
| 26 | 900926-0-00 | 1 | attacco | coupling | raccord | | |
| 27 | 733508-4-00 | 2 | dado | nut | écrou | | |
| 28 | 900931-0-00 | 1 | copertura | covering | couverture | | |
| 29 | 900918-0-00 | 2 | anello elastico | spring ring | anneau ressort | | |
| 30 | 900927-0-00 | 1 | molla | spring | anneau | | |
| 31 | 900928-0-00 | 1 | perno | pin | pivot | | |
| 32 | 720505-4-00 | 2 | vite | screw | vis | | |
| 33 | 900929-0-01 | 1 | supporto | support | support | | |
| 34 | 900920-0-00 | 2 | piastrina | plate | plaque | | |
| 35 | 720545-4-00 | 1 | vite | screw | vis | | |
| 36 | 733510-4-00 | 3 | dado | nut | écrou | | |
| 37 | 900925-4-01 | 1 | pedalina completa | pedal assembly | pédale complète | | |
| ■ | 991186-1-00 | 1 | SOLO A RICHIESTA gruppo canale scarico ritagli | ONLY ON REQUEST offlet assembly | SEULEMENT SUR DEMANDE groupe décharge chutes | | |
| 38 | 733507-2-00 | 1 | dado | nut | écrou | | |
| 39 | 704409-2-00 | 4 | rondella | washer | rondelle | | |
| 40 | 991186-0-00 | 1 | canale scarico ritagli | offlet | décharge chutes | | |
| 41 | 991189-0-00 | 1 | piastra di rinforzo | plate | plaque | | |
| 42 | 742068-2-00 | 3 | vite | screw | vis | | |



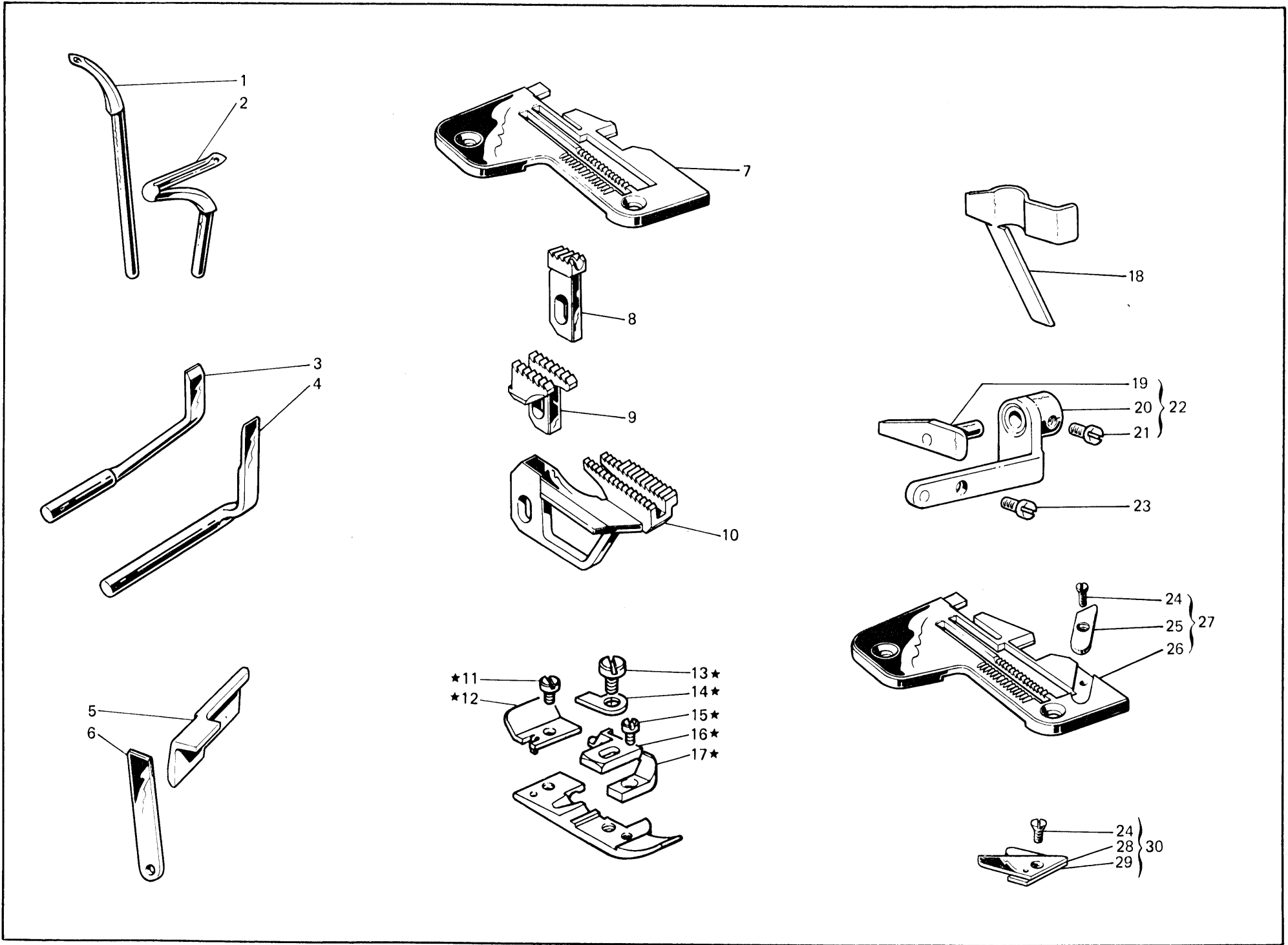
| Fig. N. Abb. N. | Part. N. Bestell N. Piece N. Pieza N. | Qt. Anzahl | DESCRIZIONE | DESCRIPTION | DESCRIPTION | BENENNUNG | DESCRIPCION |
|--------------------|--|---------------|---|------------------------------------|---|-----------|-------------|
| ★ | 990986-4-00 | 1 | PIAZZAMENTO INCASSATO | SUBMERGED SETTING | INSTALLATION ENCASTREE | | |
| ● | 990984-4-00 | 1 | supporto testa completo | head support assembly | support tête complet | | |
| 1 | 722905-2-00 | 2 | tirante alza piedino completo | presser tie-rod assembly | tirant pour soulèvement pied presseur | | |
| 2 | 901105-0-00 | 1 | vite | screw | vis | | |
| 3 | 704536-0-00 | 1 | staffa laterale | bracket | bride | | |
| 4 | 733008-2-00 | 2 | rondella | washer | rondelle | | |
| 5 | 720566-2-00 | 6 | dado | nut | écrou | | |
| 6 | 990982-0-00 | 2 | vite | screw | vis | | |
| 7 | 990982-0-00 | 4 | ammortizzatore | shock absorber | amortisseur | | |
| 8 | 900694-0-11 | 4 | perno | pin | pivot | | |
| 9 | 990981-0-00 | 1 | supporto testa | head support | support tête | | |
| 10 | 900203-0-10 | 4 | ammortizzatore per tavola | shock absorber | amortisseur | | |
| 11 | 722917-2-00 | 2 | vite | screw | vis | | |
| 12 | 721475-2-00 | 2 | vite | screw | vis | | |
| 13 | 704409-2-00 | 2 | rondella | washer | rondelle | | |
| 14 | 901104-0-00 | 1 | staffa posteriore | bracket | bride | | |
| 15 | 901103-0-10 | 2 | distanziale | spacer | entretoise | | |
| 16 | 991188-0-00 | 1 | bocchetta | cup | bouche | | |
| 17 | 901101-0-00 | 8 | ammortizzatore | shock absorber | amortisseur | | |
| 18 | 901102-0-00 | 4 | distanziale | spacer | entretoise | | |
| 19 | 704345-2-00 | 4 | rondella | washer | rondelle | | |
| 20 | 990311-0-10 | 3 | perno | pin | pivot | | |
| 21 | 990310-0-10 | 2 | giunto | joint | joint | | |
| 22 | 746402-2-00 | 2 | dado | nut | écrou | | |
| 23 | 990983-0-00 | 1 | tirante | tie-rod | tirante | | |
| 24 | 900204-0-10 | 1 | bussola | bush | bage | | |
| 25 | 700205-0-00 | 3 | anello elastico | spring ring | anneau ressort | | |
| 26 | 746409-2-00 | 1 | dado | nut | écrou | | |
| 27 | 704424-2-00 | 1 | rondella | washer | rondelle | | |
| 28 | 990314-0-10 | 1 | supportino | support | support | | |
| 29 | 990316-0-10 | 1 | leva | lever | levier | | |
| 30 | 990179-4-11 | 1 | catenella completa | chain assembly | chaînette complète | | |
| 31 | 720464-4-00 | 2 | vite | screw | vis | | |
| 32 | 704009-4-00 | 2 | rondella | washer | rondelle | | |
| 33 | 900926-0-00 | 1 | attacco | coupling | raccord | | |
| 34 | 733508-4-00 | 2 | dado | nut | écrou | | |
| 35 | 900931-0-00 | 1 | copertura | covering | couverture | | |
| 36 | 900918-0-00 | 2 | anello elst. | spring ring | anneau élast. | | |
| 37 | 900927-0-00 | 1 | molla | spring | ressort | | |
| 38 | 900928-0-00 | 1 | perno | pin | pivot | | |
| 39 | 720505-4-00 | 2 | vite | screw | vis | | |
| 40 | 900929-0-01 | 1 | supporto | support | support | | |
| 41 | 900920-0-00 | 2 | piatrina | plate | plaque | | |
| 42 | 720545-4-00 | 1 | vite | screw | vis | | |
| 43 | 733510-4-00 | 3 | dado | nut | écrou | | |
| ■ | 900925-4-01 | 1 | pedalina completa | pedal assembly | pédale complète | | |
| ■ | 991186-1-00 | 1 | SOLO A RICHIESTA gruppo canale scarico ritagli | ONLY ON REQUEST offlet assembly | SEULEMENT SUR DEMANDE groupe décharge chutes | | |



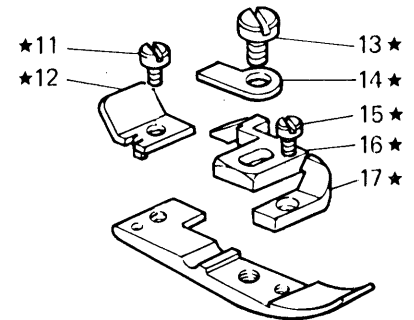
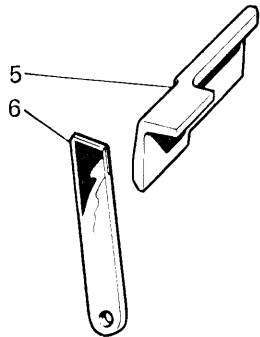
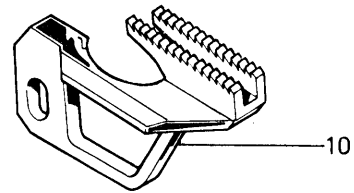
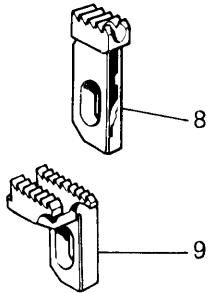
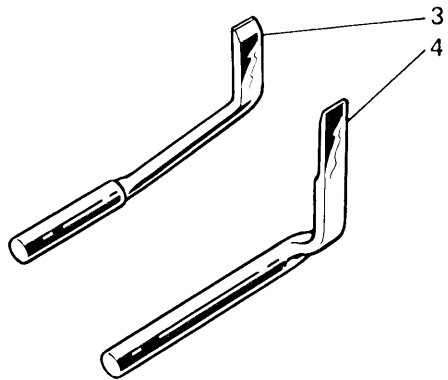
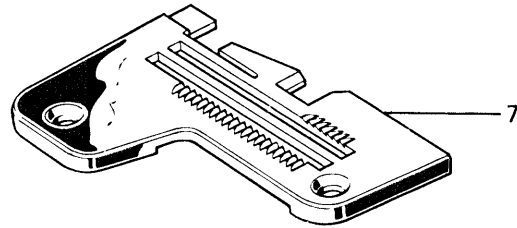
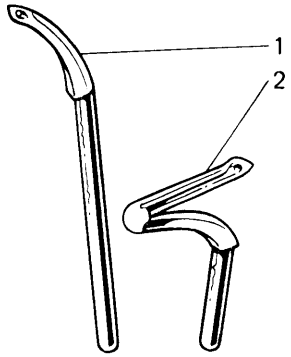
| Fig. N. Abb. N. | Part. N. Bestell N. Piece N. Pieza N. | Qt. Anzahl | DESCRIZIONE | DESCRIPTION | DESCRIPTION | BENENNUNG | DESCRIPCION |
|--------------------|--|---------------|------------------------|-------------|-----------------|-----------|-------------|
| 12 | 704409-2-00 | 4 | rondella | washer | rondelle | | |
| 44 | 733507-2-00 | 1 | dado | nut | écrou | | |
| 45 | 991186-0-00 | 1 | canale scarico ritagli | offlet | décharge chutes | | |
| 46 | 991189-0-00 | 1 | piastra di rinforzo | plate | plaque | | |
| 47 | 742068-2-00 | 3 | vite | screw | vis | | |



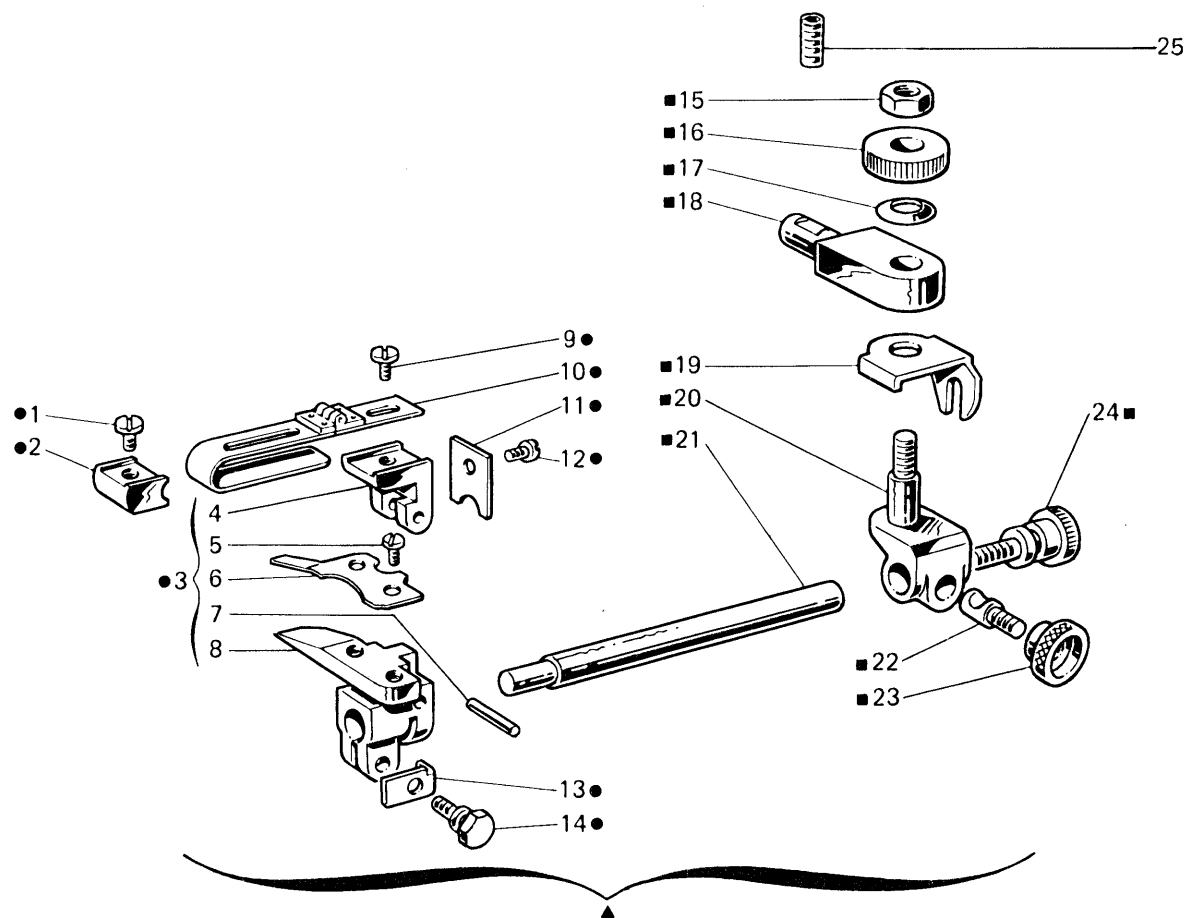
| Fig. N. Abb. N. | Part. N. Piece N. Bestell N. Pieza N. | Qt. Anzahl | DESCRIZIONE | DESCRIPTION | DESCRIPTION | BENENNUNG | DESCRIPCION |
|--------------------|--|---------------|--------------------------------|----------------------------------|--------------------------------|-----------|-------------|
| ★ | 991120-5-00 | 1 | porta bobine compl.(4-3 fili) | bobbin carrier ass.(3-4 threads) | porte bobine compl, (4-3 fils) | | |
| 1 | 703005-0-00 | 3 | rondella | washer | rondelle | | |
| 2 | 991108-2-00 | 2 | tubetto con bussole | frame with bushes | bâti avec bagues | | |
| 3 | 722431-2-00 | 3 | vite | screw | vis | | |
| 4 | 991107-2-00 | 1 | squadretta con viti e rondelle | bracket with screws and washers | équerre avec vis et rondelles | | |
| 5 | 991106-2-00 | 1 | asta con rondelle e viti | rod with washers and screws | tige avec rondelles et vis | | |
| 6 | 729054-2-00 | 3 | vite | screw | vis | | |
| 7 | 731107-2-00 | 3 | vite | screw | vis | | |
| 8 | 991114-2-00 | 1 | basetta | base | base | | |
| 9 | 729034-2-00 | 3 | vite | screw | vis | | |
| 10 | 991121-3-00 | 1 | telaietto superiore | upper frame | bâti supérieur | | |
| 11 | 991113-0-00 | 1 | asta principale | main rod | tige principale | | |
| 12 | 991128-2-00 | 1 | blocchetto con viti | block with screws | bloc avec vis | | |
| 13 | 991129-3-00 | 1 | mozzo con aste e viti | hub with rod and screws | moyeu avec tiges et vis | | |
| 14 | 991179-0-00 | 4 | disco | disc | disque | | |
| 15 | 991112-0-00 | 4 | piatto | disc | plateau | | |
| 16 | 991111-2-00 | 4 | astina con dadi | rod with nuts | tige avec écrous | | |
| 17 | 733508-2-00 | 4 | dado | nut | écrou | | |
| 18 | 925433-0-00 | 4 | dado | nut | écrou | | |



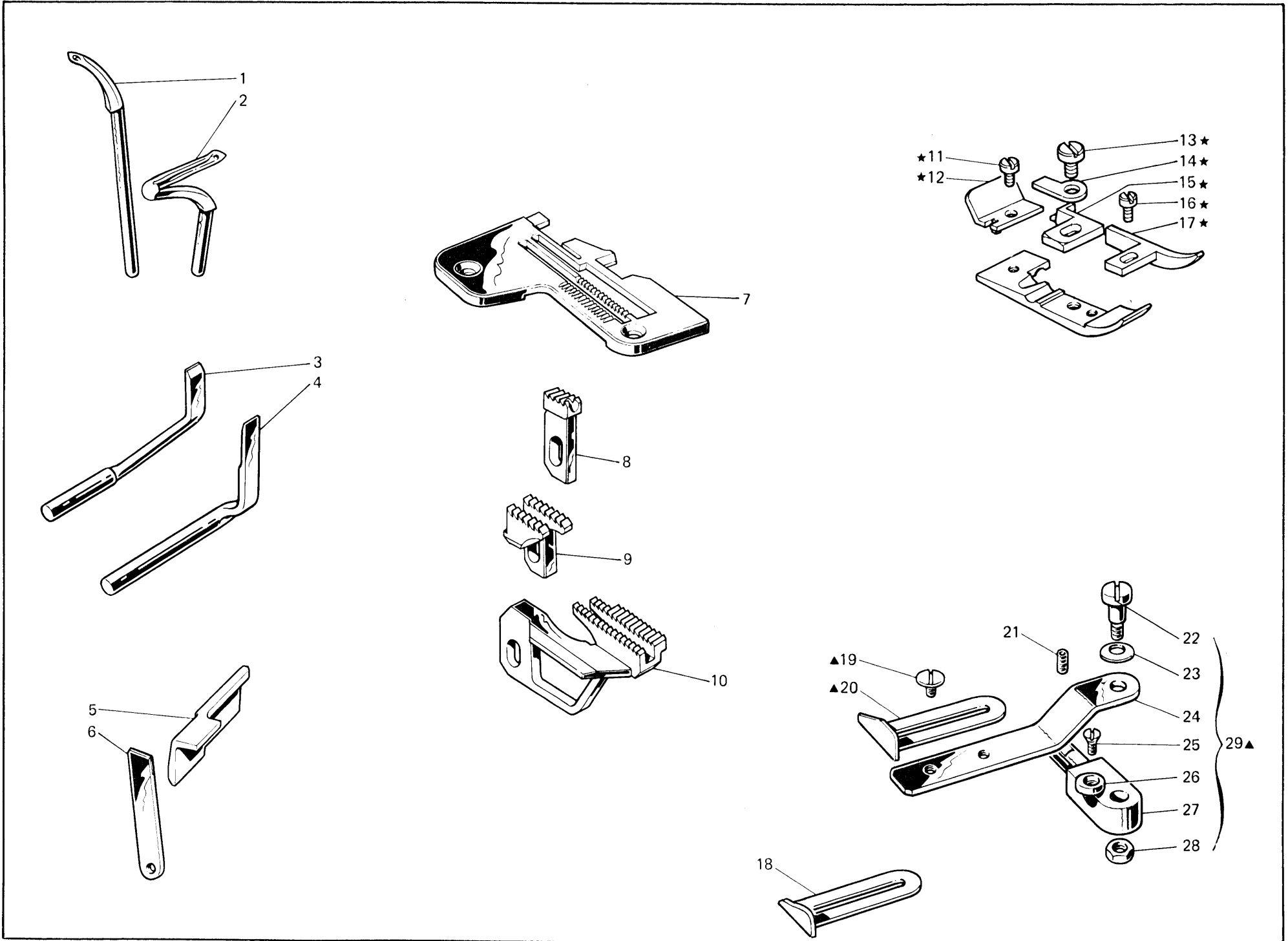
| Fig. N. Abb. N. | Part. N. Bestell N. Piece N. Pieza N. | Qt. Anzahl | DESCRIZIONE | DESCRIPTION | DESCRIPTION | BENENNUNG | DESCRIPCION |
|--------------------|--|---------------|---------------------------------|---------------------------------|---------------------------------------|-----------|-------------|
| ★ | 202171-3-11 | 1 | piedino completo | presserfoot assembly | pied-presseur complet | | |
| 1 | 204033-0-10 | 1 | crochet superiore | upper looper | crochet supérieur | | |
| 2 | 202094-0-11 | 1 | crochet inferiore | lower looper | crochet inférieur | | |
| 3 | 202140-0-11 | 1 | salva ago | rear needle guard | protège-aiguille | | |
| 4 | 202137-0-11 | 1 | spingi asola | front needle guard | pare-boucle | | |
| 5 | 202142-0-10 | 2 | coltello superiore | upper knife | couteau supérieur | | |
| 6 | 202146-0-10 | 2 | coltello inferiore | lower knife | couteau inférieur | | |
| 7 | 203214-0-11 | 1 | placca ago larg. costa 3,3 mm | needle plate width bight 3,3 mm | plaque à aiguille larg. surjet 3,3 mm | | |
| 8 | 202061-0-10 | 1 | griffino | chaining feed dog | petite griffe | | |
| 9 | 202057-0-10 | 1 | griffa sussidiaria | subsidiary feed dog | griffe subsidiaire | | |
| 10 | 203199-0-10 | 1 | griffa principale | main feed dog | griffe principale | | |
| 11 | 741413-2-00 | 1 | vite | screw | vis | | |
| 12 | 202192-0-10 | 1 | piastrina | plate | plaque | | |
| 13 | 741665-2-00 | 1 | vite | screw | vis | | |
| 14 | 202201-0-11 | 1 | staffa | bracket | bride | | |
| 15 | 741431-2-00 | 1 | vite | screw | vis | | |
| 16 | 202195-0-11 | 1 | linguetta | tongue | languette | | |
| 17 | 202184-0-11 | 1 | blocchetto | block | bloc | | |
| | | | SOLO A RICHIESTA | ONLY ON REQUEST | SEULEMENT SUR DEMANDE | | |
| 1 | 204021-0-10 | 1 | crochet superiore | upper looper | crochet supérieur | | |
| 2 | 202095-0-11 | 1 | crochet inferiore | lower looper | crochet inférieur | | |
| 5 | 202143-0-10 | 1 | coltello superiore | upper knife | couteau supérieur | | |
| 7 | 203217-0-11 | 1 | placca ago larg. costa 4 mm | needle plate width bight 4 mm | plaque à aiguille larg. surjet 4 mm | | |
| | 203218-0-10 | 1 | placca ago larg. costa 5 mm | needle plate width bight 5 mm | plaque à aiguille larg. surjet 5 mm | | |
| | 203220-0-10 | 1 | placca ago larg. costa 2,8 mm | needle plate width bight 2,8 mm | plaque à aiguille larg. surjet 2,8 mm | | |
| 9 | 202060-2-11 | 1 | griffa sussidiaria in Vulkollan | subsidiary feed dog | griffe subsidiaire | | |
| 10 | 203201-2-11 | 1 | griffa principale in Vulkollan | main feed dog | griffe principale | | |
| 18 | 202300-0-10 | 1 | guida per non tagliare tessuto | guide | guide | | |
| 19 | 202769-2-10 | 1 | guida | guide | guide | | |
| 20 | 202772-2-10 | 1 | squadretta | bracket | équerre | | |
| 21 | 742811-0-00 | 1 | vite | screw | vis | | |
| 22 | 202767-4-10 | 1 | guida per non tagliare tessuto | guide | guide | | |
| 23 | 721443-2-00 | 1 | vite | screw | vis | | |
| 24 | 744510-0-00 | 2 | vite | screw | vis | | |
| 25 | 202302-0-10 | 1 | piastrina | plate | plaque | | |
| 26 | 203215-0-10 | 1 | placca ago larg. costa 3,3 mm | needle plate width bight 3,3 mm | plaque à aiguille larg. surjet 3,3 mm | | |
| 27 | 203216-4-10 | 1 | placca ago con piastrina | needle plate | plaque à aiguille | | |
| 28 | 202511-0-10 | 1 | piastrina | plate | plaque | | |
| 29 | 202510-0-10 | 1 | lamina | sheet | plaque | | |
| 30 | 202512-4-10 | 1 | dispositivo tagliafilo | cutting thread device | dispositif coupe-fil | | |
| 40 | <u>Tav. 9</u> 765200-6-80 | 1 | ago Rim 27 fin. 80 | needle Rim 27 size 80 | aiguille Rim 27 jauge 80 | | |
| | | | PEZZI ANNULLATI | CANCELLED PARTS | PIECES ANNULEES | | |
| | <u>Tav. 10</u> | | SOLO A RICHIESTA | ONLY ON REQUEST | SEULEMENT SUR DEMANDE | | |
| 41 | 202194-0-10 | 1 | piastrina taglia catenella | plate | plaque | | |
| 42 | 741433-0-00 | 2 | vite | screw | vis | | |
| | <u>Tav. 11</u> | | | | | | |
| 9 | 203774-0-10 | 1 | piastr. fermo salva ago | plate | plaque | | |
| 13 | 741445-0-00 | 1 | vite | screw | vis | | |
| 14 | 203775-0-10 | 1 | squadr. fermo spingi asola | bracket | équerre | | |



| Fig. N. Abb. N. | Part. N. Piece N. Bestell N. Pieza N. | Qt. Anzahl | DESCRIZIONE | DESCRIPTION | DESCRIPTION | BENENNUNG | DESCRIPCION |
|--------------------|--|---------------|-------------------------------|---------------------------------|---------------------------------------|-----------|-------------|
| ★ | 202786-3-11 | 1 | pedino completo | presserfoot assembly | pied-presseur complet | | |
| 1 | 202092-0-10 | 1 | crochet superiore cieco | upper looper | crochet supérieur | | |
| | 204033-0-10 | 1 | crochet superiore | upper looper | crochet supérieur | | |
| 2 | 202094-0-11 | 1 | crochet inferiore | lower looper | crochet inférieur | | |
| 3 | 202140-0-11 | 1 | salva ago | rear needle guard | protège aiguille | | |
| 4 | 202137-0-11 | 1 | spingi asola | front needle guard | pare-boucle | | |
| 5 | 202142-0-10 | 2 | coltello superiore | upper knife | couteau supérieur | | |
| 6 | 202146-0-10 | 2 | coltello inferiore | lower knife | couteau inférieur | | |
| 7 | 202783-0-10 | 1 | placca ago larg. costa 3,2 mm | needle plate width bight 3,2 mm | plaque à aiguille larg. surjet 3,2 mm | | |
| 8 | 202061-0-10 | 1 | griffino | chaining feed dog | petite griffe | | |
| 9 | 202782-0-10 | 1 | griffa sussidiaria | subsidiary feed dog | griffe subsidiaire | | |
| 10 | 202780-0-10 | 1 | griffa principale | main feed dog | griffe principale | | |
| 11 | 741413-2-00 | 1 | vite | screw | vis | | |
| 12 | 202795-0-10 | 1 | piastrina | sheet | plaquette | | |
| 13 | 741665-2-00 | 1 | vite | screw | vis | | |
| 14 | 202201-0-11 | 1 | staffa | bracket | bride | | |
| 15 | 741431-2-00 | 1 | vite | screw | vis | | |
| 16 | 202797-0-11 | 1 | linguetta | tongue | languette | | |
| 17 | 202789-0-11 | 1 | blocchetto | block | bloc | | |
| | | | SOLO A RICHIESTA | ONLY ON REQUEST | SEULEMENT SUR DEMANDE | | |
| 5 | 202143-0-10 | 1 | coltello superiore | upper knife | couteau supérieur | | |
| 7 | 202876-0-10 | 1 | placca ago larg. costa 3 mm | needle plate width bight 3 mm | plaque à aiguille larg. surjet 3 mm | | |
| | 202877-0-10 | 1 | placca ago larg. costa 5 mm | needle plate width bight 5 mm | plaque à aiguille larg. surjet 5 mm | | |
| | 206297-0-00 | 1 | placca ago larg. costa 3,2 mm | needle plate width bight 3,2 mm | plaque à aiguille larg. surjet 3,2 mm | | |
| 40 | <u>Tav. 9</u> 765200-6-80 | 1 | ago sist. Rim 27 fin. 80 | needle syst. Rim 27 size 80 | aiguille syst. Rim 27 jauge 80 | | |
| | | | PEZZI ANNULLATI | CANCELLED PARTS | PIECES ANNULEES | | |
| 20 | <u>Tav. 2</u> 202398-0-10 | 1 | tappo | plug | bouchon | | |
| | <u>Tav. 10</u> | | SOLO A RICHIESTA | ONLY ON REQUEST | SEULEMENT SUR DEMANDE | | |
| 41 | 202194-0-10 | 1 | piastrina | sheet | plaquette | | |
| 42 | 741433-0-00 | 2 | vite | screw | vis | | |
| | <u>Tav. 11</u> | | | | | | |
| 9 | 203774-0-10 | 1 | piastrina fermo salva ago | sheet | plaquette | | |
| 13 | 741445-0-00 | 1 | vite | screw | vis | | |
| 14 | 203775-0-10 | 1 | squadretta fermo spingi asola | bracket | équerre | | |



| Fig. N. Abb. N. | Part. N. Bestell N. Piece N. Pieza N. | Qt. Anzahl | DESCRIZIONE | DESCRIPTION | DESCRIPTION | BENENNUNG | DESCRIPCION |
|--------------------|--|---------------|---------------------------|-------------------|------------------------|-----------|-------------|
| ▲ | 203712-5-11 | 1 | guida completa per orlare | guide assembly | guide complet | | |
| ● | 203711-4-11 | 1 | guida completa | guide assembly | guide complet | | |
| ■ | 203708-4-11 | 1 | attacco completo | coupling assembly | raccord complet | | |
| 1 | 201236-0-10 | 1 | vite | screw | vis | | |
| 2 | 201246-0-10 | 1 | blocchetto | block | bloc | | |
| 3 | 202840-4-11 | 1 | corpo con cerniera | body with hinge | corps avec charnière | | |
| 4 | 202843-0-11 | 1 | cerniera | hinge | charnière | | |
| 5 | 744512-4-00 | 2 | vite | screw | vis | | |
| 6 | 202847-0-10 | 1 | piastrina | sheet | plaquette | | |
| 7 | 202974-0-10 | 1 | spina | pin | goupille | | |
| 8 | 202839-0-11 | 1 | corpo | body | corps | | |
| 9 | 202805-0-10 | 1 | vite | screw | vis | | |
| 10 | 201254-2-10 | 1 | molla con cerniera | spring with hinge | ressort avec charnière | | |
| 11 | 203706-0-10 | 1 | piastrina | sheet | plaquette | | |
| 12 | 721412-2-00 | 1 | vite | screw | vis | | |
| 13 | 203707-0-10 | 1 | piastrina di fermo | plate | plaquette | | |
| 14 | 202871-0-10 | 1 | vite | screw | vis | | |
| 15 | 203705-0-10 | 1 | dado | nut | écrou | | |
| 16 | 203716-0-10 | 1 | pomolo | knob | pommeau | | |
| 17 | 702408-0-00 | 1 | molla a tazza | cup spring | ressort à tasse | | |
| 18 | 203713-0-10 | 1 | sostegno | support | support | | |
| 19 | 203704-0-10 | 1 | forcella | fork | fourche | | |
| 20 | 203710-0-10 | 1 | supporto girevole | rotating support | support pivotant | | |
| 21 | 203709-0-11 | 1 | asta | rod | tige | | |
| 22 | 203714-0-10 | 1 | nottolino | pawl | axe | | |
| 23 | 201162-0-10 | 1 | pomolo | knob | pommeau | | |
| 24 | 203715-0-10 | 1 | pomolo | knob | pommeau | | |
| 25 | 729013-2-00 | 1 | vite fissa supporto | screw | vis | | |



| Fig. N. Abb. N. | Part. N. Bestell N. Piece N. Pieza N. | Qt. Anzahl | DESCRIZIONE | DESCRIPTION | DESCRIPTION | BENENNUNG | DESCRIPCION |
|--------------------|--|---------------|-------------------------------|---------------------------------|---------------------------------------|-----------|-------------|
| ★ | 202774-3-11 | 1 | piedino completo | presserfoot assembly | pied-presseur complet | | |
| ▲ | 202959-4-10 | 1 | guida completa | guide assembly | guide complet | | |
| 1 | 202092-0-10 | 1 | crochet superiore cieco | upper blind looper | crochet supérieur aveugle | | |
| | 204021-0-10 | 1 | crochet superiore | upper looper | crochet supérieur | | |
| 2 | 202095-0-11 | 1 | crochet inferiore | lower looper | crochet inférieur | | |
| 3 | 202140-0-11 | 1 | salva ago | rear needle guard | protège aiguille | | |
| 4 | 202137-0-11 | 1 | spingi asola | front needle guard | pare boucle | | |
| 5 | 202142-0-10 | 2 | coltello superiore | upper knife | couteau supérieur | | |
| 6 | 202146-0-10 | 2 | coltello inferiore | lower knife | couteau supérieur | | |
| 7 | 202507-0-11 | 1 | placca ago larg. costa 5 mm | needle plate width bight 5 mm | plaque à aiguille larg. surjet 5 mm | | |
| 8 | 202061-0-10 | 1 | griffino | chaining feed dog | petite griffe | | |
| 9 | 202057-0-10 | 1 | griffa sussidiaria | subsidiary feed dog | griffe subsidiaire | | |
| 10 | 202053-0-10 | 1 | griffa principale | main feed dog | griffe principale | | |
| 11 | 741413-2-00 | 1 | vite | screw | vis | | |
| 12 | 202192-0-10 | 1 | piastrina | sheet | plaquette | | |
| 13 | 741665-2-00 | 1 | vite | screw | vis | | |
| 14 | 202201-0-11 | 1 | staffa | bracket | bride | | |
| 15 | 202195-0-11 | 1 | linguetta | tongue | languette | | |
| 16 | 741453-2-00 | 1 | vite | screw | vis | | |
| 17 | 202775-0-11 | 1 | guida | guide | guide | | |
| 18 | 202776-0-00 | 1 | guida | guide | guide | | |
| 19 | 201236-0-10 | 2 | vite | screw | vis | | |
| 20 | 202957-2-10 | 1 | guida | guide | guide | | |
| 21 | 729013-2-00 | 1 | vite fissa guida completa | screw | vis | | |
| 22 | 743464-2-00 | 1 | vite | screw | vis | | |
| 23 | 702406-0-00 | 1 | molla a tazza | cup spring | ressort à tasse | | |
| 24 | 202967-0-10 | 1 | supporto | support | support | | |
| 25 | 744634-0-00 | 1 | vite | screw | vis | | |
| 26 | 300710-0-10 | 1 | eccentrico | eccentric | excentrique | | |
| 27 | 202970-0-10 | 1 | sostegno | support | support | | |
| 28 | 746007-2-00 | 1 | dado | nut | écrou | | |
| 29 | 202958-4-10 | 1 | supporto completo | support assembly | support complet | | |
| | | | SOLO A RICHIESTA | ONLY ON REQUEST | SEULEMENT SUR DEMANDE | | |
| 1 | 204033-0-10 | 1 | crochet superiore | upper looper | crochet supérieur | | |
| 2 | 202094-0-11 | 1 | crochet inferiore | lower looper | crochet inférieur | | |
| 5 | 202143-0-10 | 1 | coltello superiore | upper knife | couteau supérieur | | |
| 7 | 202148-0-11 | 1 | placca ago larg. costa 4,6 mm | needle plate width bight 4,6 mm | plaque à aiguille larg. surjet 4,6 mm | | |
| | 202504-0-11 | 1 | placca ago larg. costa 4,1 mm | needle plate width bight 4,1 mm | plaque à aiguille larg. surjet 4,1 mm | | |
| | 202508-0-11 | 1 | placca ago larg. costa 5,6 mm | needle plate width bight 5,6 mm | plaque à aiguille larg. surjet 5,6 mm | | |
| | 202590-0-11 | 1 | placca ago larg. costa 6 mm | needle plate width bight 6 mm | plaque à aiguille larg. surjet 6 mm | | |
| 9 | 202758-0-00 | 1 | griffa sussidiaria | subsidiary feed dog | griffe subsidiaire | | |
| | 202559-0-00 | 1 | griffa sussidiaria | subsidiary feed dog | griffe subsidiaire | | |
| 10 | 202757-0-00 | 1 | griffa principale | main feed dog | griffe principale | | |
| | 202517-0-00 | 1 | griffa principale | main feed dog | griffe principale | | |

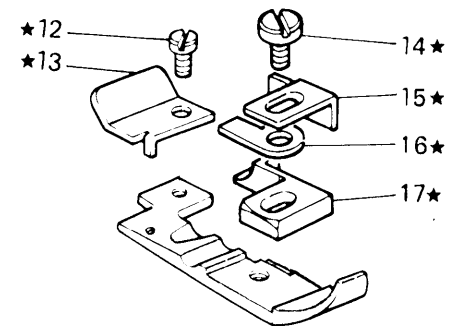
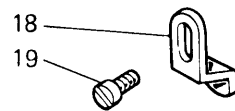
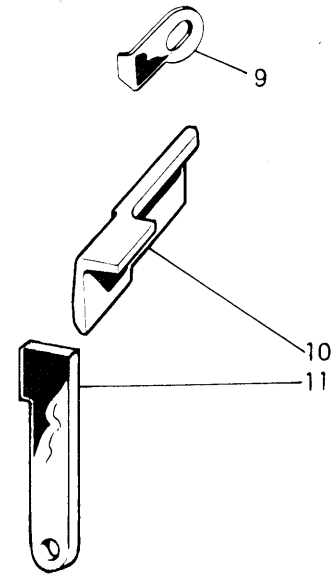
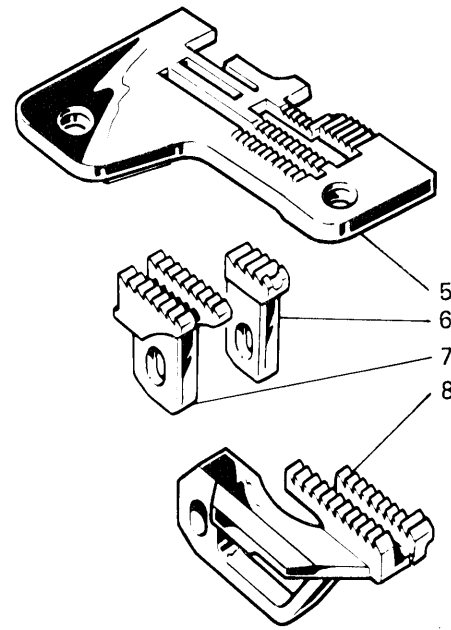
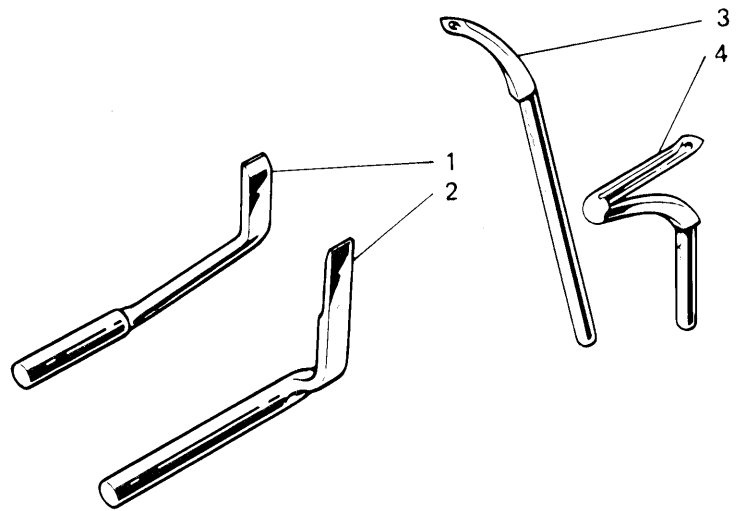
| Fig. N. Abb. N. | Part. N. Bestell N. Piece N. Pieza N. | Qt. Anzahl | DESCRIZIONE | DESCRIPTION | DESCRIPTION | BENENNUNG | DESCRIPCION |
|--------------------|--|---------------|-------------------------------------|-------------------------------------|-------------------------------------|-----------|-------------|
| ★ | <u>Tav. 4</u> 207772-4-00 | 1 | coperchio superiore completo | upper cover assembly | couvercle supérieur complet | | |
| 28 | 202681-0-10 | 2 | molla per tensione fig. 35 | spring for tension fig. 35 | ressort pour tension fig. 35 | | |
| 35 | 206343-4-00 | 2 | tensione completa con molla fig. 28 | tension assembly with spring fig.28 | tension compl. avec ressort fig. 28 | | |
| | | | PEZZI ANNULLATI | CANCELLED PARTS | PIECES ANNULEES | | |
| 20 | <u>Tav. 2</u> 202398-0-10 | 1 | tappo | plug | bouchon | | |
| | <u>Tav. 9</u> | | SOLO A RICHIESTA | ONLY ON REQUEST | SEULEMENT SUR DEMANDE | | |
| 41 | 202194-0-10 | 1 | piastrina taglia catenella | sheet | plaquette | | |
| 42 | 741433-0-00 | 2 | vite | screw | vis | | |

VARIANTE PER

VARIATION FOR

VARIANTE POUR

127-00-2CD-06



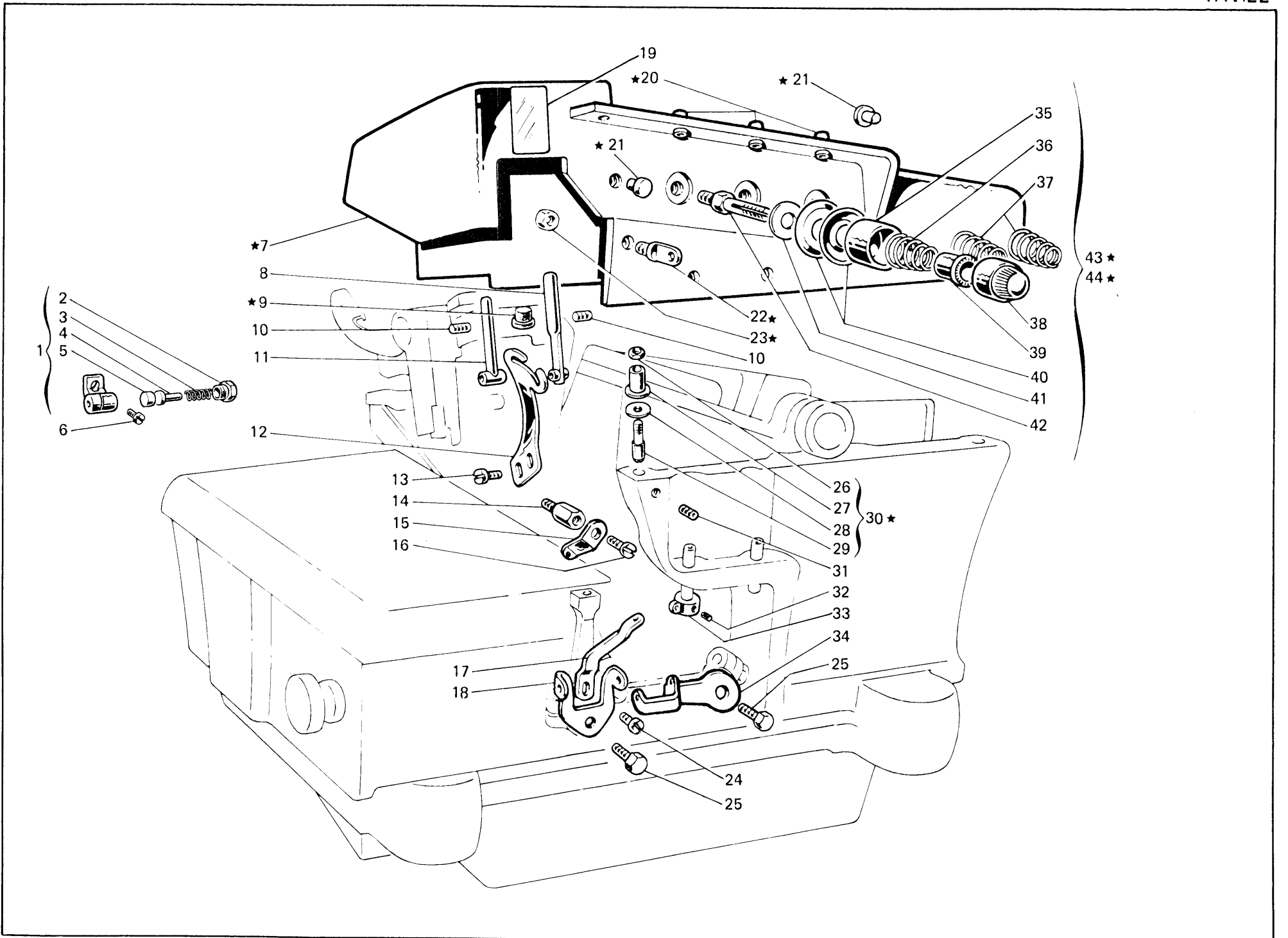
| Fig. N. Abb. N. | Part. N. Bestell N. Piece N. Pieza N. | Qt. Anzahl | DESCRIZIONE | DESCRIPTION | DESCRIPTION | BENENNUNG | DESCRIPCION |
|--------------------|--|---------------|-------------------------------|---------------------------------|---------------------------------------|-----------|-------------|
| ★ | 203015-3-11 | 1 | piedino completo | presserfoot assembly | pied-presseur complet | | |
| 1 | 203758-0-11 | 1 | salva ago | rear needle guard | protège-aiguille | | |
| 2 | 203757-0-11 | 1 | spingi asola | front needle guard | pare-boucle | | |
| 3 | 204033-0-10 | 1 | crochet superiore | upper looper | crochet supérieur | | |
| 4 | 202094-0-11 | 1 | crochet inferiore | lower looper | crochet inférieur | | |
| 5 | 203785-0-10 | 1 | placca ago larg. costa 5 mm | needle plate width bight 5 mm | plaque à aiguille larg. surjet 5 mm | | |
| 6 | 203003-0-10 | 1 | griffino | chaining feed dog | petite griffe | | |
| 7 | 203031-0-10 | 1 | griffa sussidiaria | subsidiary feed dog | griffe subsidiaire | | |
| 8 | 203028-0-10 | 1 | griffa principale | main feed dog | griffe principale | | |
| 9 | 200662-0-10 | 1 | carterino coltello sup. | upper knife cover | carter couteau sup. | | |
| 10 | 202932-0-10 | 2 | coltello superiore | upper knife | couteau supérieur | | |
| 11 | 203012-0-10 | 2 | coltello inferiore | lower knife | couteau inférieur | | |
| 12 | 741413-2-00 | 1 | vite | screw | vis | | |
| 13 | 203025-0-10 | 1 | piastrina | plate | plaque | | |
| 14 | 741675-2-00 | 1 | vite | screw | vis | | |
| 15 | 203021-0-11 | 1 | piastrina | plate | plaque | | |
| 16 | 202201-0-11 | 1 | staffa | bracket | bride | | |
| 17 | 203026-0-11 | 1 | linguetta | tongue | languette | | |
| 18 | 206771-0-11 | 1 | squadretta fermo piedino | presserfoot bracket | équerre fixation pied-presseur | | |
| 19 | 741658-2-00 | 1 | vite | screw | vis | | |
| | | | SOLO A RICHIESTA | ONLY ON REQUEST | SEULEMENT SUR DEMANDE | | |
| 3 | 204021-0-10 | 1 | crochet superiore | upper looper | crochet supérieur | | |
| 4 | 202095-0-11 | 1 | crochet inferiore | lower looper | crochet inférieur | | |
| 5 | 203761-0-10 | 1 | placca ago larg. costa 6 mm | needle plate width bight 6 mm | plaque à aiguille larg. surjet 6 mm | | |
| | 203762-0-10 | 1 | placca ago larg. costa 7,5 mm | needle plate width bight 7,5 mm | plaque à aiguille larg. surjet 7,5 mm | | |
| | 203787-0-10 | 1 | placca ago larg. costa 4 mm | needle plate width bight 4 mm | plaque à aiguille larg. surjet 4 mm | | |
| | 203788-0-10 | 1 | placca ago larg. costa 7 mm | needle plate width bight 7 mm | plaque à aiguille larg. surjet 7 mm | | |
| 7 | 203002-0-10 | 1 | griffa sussidiaria | subsidiary feed dog | griffe subsidiaire | | |
| | 203033-2-11 | 1 | griffa sussidiaria | subsidiary feed dog | griffe subsidiaire | | |
| | 207028-0-00 | 1 | griffa sussidiaria | subsidiary feed dog | griffe subsidiaire | | |
| 8 | 203001-0-10 | 1 | griffa principale | main feed dog | griffe principale | | |
| | 203030-2-11 | 1 | griffa principale | main feed dog | griffe principale | | |
| | 207027-0-00 | 1 | griffa principale | main feed dog | griffe principale | | |
| ▲ | <u>Tav. 5</u> 207498-4-00 | 1 | albero princ. con cuscinetti | main shaft | arbre principal | | |
| 8 | 206700-2-01 | 1 | albero principale | main shaft | arbre principal | | |
| ★ | <u>Tav. 7</u> 206386-4-00 | 1 | gruppo manicotto com. crochet | control looper assembly | groupe manchon comm. crochet | | |
| 8 | 704847-0-00 | 1 | rondella | washer | rondelle | | |
| 13 | 704845-0-00 | 1 | rondella | washer | rondelle | | |
| ☺ | <u>Tav. 10</u> 206447-4-10 | 1 | gruppo supporto premistoffa | presser support assembly | groupe support pied-presseur | | |
| 37 | 205021-0-10 | 1 | molla | spring | ressort | | |

VARIANTE PER

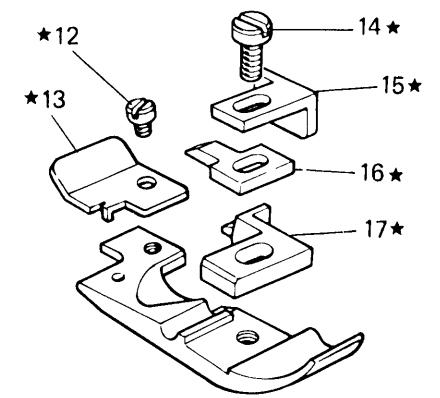
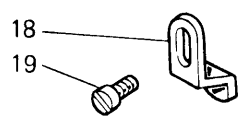
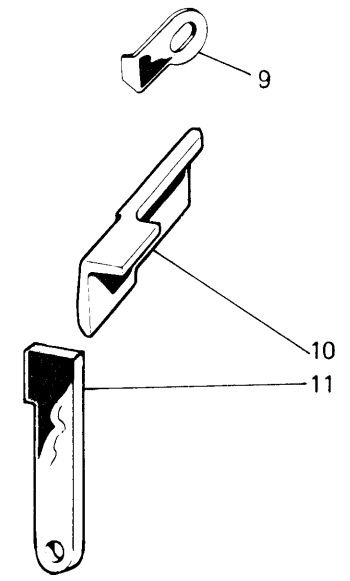
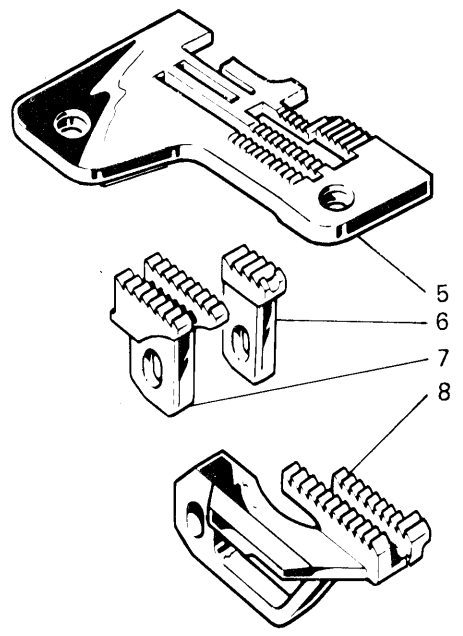
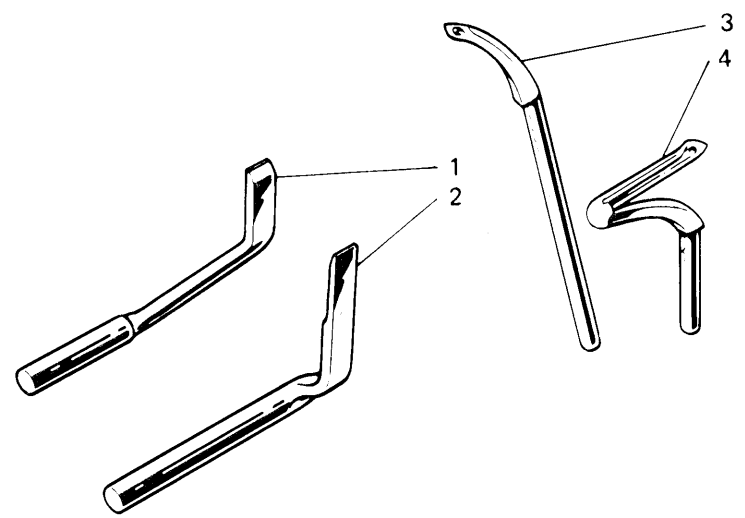
VARIATION FOR

VARIANTE POUR

127-00-1MD-23



| Fig. N. Abb. N. | Part. N. Bestell N. Piecze N. Pieza N. | Qt. Anzahl | DESCRIZIONE | DESCRIPTION | DESCRIPTION | BENENNUNG | DESCRIPCION |
|--------------------|---|---------------|--------------------------------|----------------------------------|-------------------------------------|-----------|-------------|
| ★ | 207772-4-00 | 1 | coperchio superiore compl. | upper cover assembly | couvercle supérieur compl. | | |
| 1 | 207550-4-00 | 1 | pressafilo completo | thread presser assembly | presse-fil complet | | |
| 2 | 202260-0-10 | 1 | tappo | plug | bouchon | | |
| 3 | 202257-0-10 | 1 | molla | spring | ressort | | |
| 4 | 202258-0-10 | 1 | perno | pin | pivot | | |
| 5 | 203635-0-10 | 1 | pastiglia | plug | bouchon | | |
| 6 | 207562-0-00 | 1 | vite | screw | vis | | |
| 7 | 207764-3-00 | 1 | coperchio con passafili | cover with thread guide | couvercle avec passe-fil | | |
| 8 | 206714-2-00 | 1 | passafilo | thread guide | passe-fil | | |
| 9 | 206746-0-10 | 2 | tampone | pad | tampon | | |
| 10 | 729011-2-00 | 2 | vite | screw | vis | | |
| 11 | 202267-2-12 | 1 | passafilo dell'ago | thread guide of needle | passe-fil de l'aiguille | | |
| 12 | 206535-0-00 | 1 | tendifilo dell'ago | needle thread take-up | tendeur du fil aiguille | | |
| 13 | 741539-0-00 | 2 | vite | screw | vis | | |
| 14 | 206755-0-00 | 1 | colonnina per passafilo | threaded tube | tube pour passe-fil | | |
| 15 | 204035-0-10 | 1 | passafilo crochet sup. | thread guide for upper looper | passe-fil crochet sup. | | |
| 16 | 744631-2-00 | 1 | vite | screw | vis | | |
| 17 | 203027-0-10 | 1 | tendifilo | thread take-up | tendeur du fil | | |
| 18 | 203133-0-10 | 1 | tendifilo | thread take-up | tendeur du fil | | |
| 19 | 788001-0-01 | 1 | decalcomania sist. aghi | needles syst. decalcomania | décalcomanie syst. aiguilles | | |
| 20 | 202271-0-11 | 3 | passafilo | thread guide | passe-fil | | |
| 21 | 206087-0-00 | 2 | tappo | plug | bouchon | | |
| 22 | 206711-0-00 | 3 | passafilo | thread guide | passe-fil | | |
| 23 | 733503-0-00 | 3 | dado | nut | écrou | | |
| 24 | 720431-2-00 | 2 | vite | screw | vis | | |
| 25 | 741657-0-00 | 1 | vite | screw | vis | | |
| 26 | 207123-0-00 | 3 | dado | nut | écrou | | |
| 27 | 207122-0-00 | 3 | bussola in gomma | bush | bague | | |
| 28 | 704207-2-00 | 3 | rondella | washer | rondelle | | |
| 29 | 207120-0-00 | 3 | spina | pin | goupille | | |
| 30 | 207124-4-00 | 3 | spina per coperchio sup. | pin for upper cover | goupille pour couvercle sup. | | |
| 31 | 745803-2-00 | 3 | vite | screw | vis | | |
| 32 | 745002-0-00 | 1 | vite | screw | vis | | |
| 33 | 203135-2-00 | 1 | passafilo con vite | thread guide with screw | passe-fil avec vis | | |
| 34 | 203136-0-10 | 1 | tendifilo | thread take-up | tendeur du fil | | |
| 35 | 202556-0-00 | 3 | scodellino | cup | cuvette | | |
| 36 | 202228-0-10 | 1 | molla per tensione fig. 43 | spring for tension fig. 43 | ressort pour tension fig. 43 | | |
| 37 | 202681-0-10 | 2 | molla per tensione fig. 44 | spring for tension fig. 44 | ressort pour tension fig. 44 | | |
| 38 | 202558-2-00 | 3 | pomolo | knob | pommeau | | |
| 39 | 202229-0-10 | 3 | bussola | bush | bague | | |
| 40 | 300218-0-10 | 6 | disco tensione | tension disc | disque tension | | |
| 41 | 206754-0-00 | 3 | rondella | washer | rondelle | | |
| 42 | 206747-0-01 | 3 | perno | pin | pivot | | |
| 43 | 206342-4-00 | 1 | tens. compl. con molla fig. 36 | tension ass. with spring fig. 36 | tension compl. avec ressort fig. 36 | | |
| 44 | 206343-4-00 | 2 | tens. compl. con molla fig. 37 | tension ass. with spring fig. 37 | tension compl. avec ressort fig. 37 | | |



| Fig. N. Abb. N. | Part. N. Bestell N. Piece N. Pieza N. | Qt. Anzahl | DESCRIZIONE | DESCRIPTION | DESCRIPTION | BENENNUNG | DESCRIPCION |
|--------------------|--|---------------|-------------------------------|---------------------------------|---|-----------|-------------|
| ★ | 203765-3-11 | 1 | pieдино completo | presserfoot assembly | pieд-presseur complet | | |
| 1 | 203758-0-11 | 1 | salva ago | rear needle guard | protège-aiguille | | |
| 2 | 203757-0-11 | 1 | spingi asola | front needle guard | pare-boucle | | |
| 3 | 206512-0-00 | 1 | crochet superiore | upper looper | crochet supérieur | | |
| 4 | 202095-0-11 | 1 | crochet inferiore | lower looper | crochet inférieur | | |
| 5 | 203761-0-10 | 1 | placca ago larg. costa 6 mm | needle plate width bight 6 mm | plaque à aiguille largeur surjet 6 mm | | |
| 6 | 203003-0-10 | 1 | griffino | chaining feed dog | petite griffe | | |
| 7 | 203002-0-10 | 1 | griffa sussidiaria | subsidiary feed dog | griffe subsidiaire | | |
| 8 | 203001-0-10 | 1 | griffa principale | main feed dog | griffe principale | | |
| 9 | 200662-0-10 | 1 | carterino | cover | carter | | |
| 10 | 203759-0-10 | 2 | coltello superiore | upper knife | couteau supérieur | | |
| 11 | 203012-0-10 | 2 | coltello inferiore | lower knife | couteau inférieur | | |
| 12 | 741413-2-00 | 1 | vite fissa piastrina | screw | vis | | |
| 13 | 203025-0-10 | 1 | piastrina | sheet | plaquette | | |
| 14 | 741685-2-00 | 1 | vite fissa linguetta | screw | vis | | |
| 15 | 203768-0-11 | 1 | piastrina | sheet | plaquette | | |
| 16 | 203772-0-11 | 1 | staffa | bracket | bride | | |
| 17 | 203771-0-11 | 1 | linguetta | tongue | languette | | |
| 18 | 206771-0-11 | 1 | squadretta fermo piedino | presserfoot bracket | équerre fixation pied-presseur | | |
| 19 | 741658-2-00 | 1 | vite | screw | vis | | |
| | | | SOLO A RICHIESTA | ONLY ON REQUEST | SEULEMENT SUR DEMANDE | | |
| 3 | 202092-0-10 | 1 | crochet superiore cieco | upper looper | crochet supérieur | | |
| 4 | 202094-0-11 | 1 | crochet inferiore | lower looper | crochet inférieur | | |
| 5 | 203785-0-10 | 1 | placca ago larg. costa 5 mm | needle plate width bight 5 mm | plaque à aiguille largeur surjet 5 mm | | |
| | 203787-0-10 | 1 | placca ago larg. costa 4 mm | needle plate width bight 4 mm | plaque à aiguille largeur surjet 4 mm | | |
| | 203788-0-10 | 1 | placca ago larg. costa 7 mm | needle plate width bight 7 mm | plaque à aiguille largeur surjet 7 mm | | |
| | 203762-0-10 | 1 | placca ago larg. costa 7,5 mm | needle plate width bight 7,5 mm | plaque à aiguille largeur surjet 7,5 mm | | |
| 7 | 203033-2-11 | 1 | griffa sussidiaria | subsidiary feed dog | griffe subsidiaire | | |
| | 203031-0-10 | 1 | griffa sussidiaria | subsidiary feed dog | griffe subsidiaire | | |
| | 207028-0-00 | 1 | griffa sussidiaria | subsidiary feed dog | griffe subsidiaire | | |
| 8 | 203030-2-11 | 1 | griffa principale | main feed dog | griffe principale | | |
| | 203028-0-10 | 1 | griffa principale | main feed dog | griffe principale | | |
| | 207027-0-00 | 1 | griffa principale | main feed dog | griffe principale | | |
| 10 | 203783-0-10 | 1 | coltello superiore | upper knife | couteau supérieur | | |

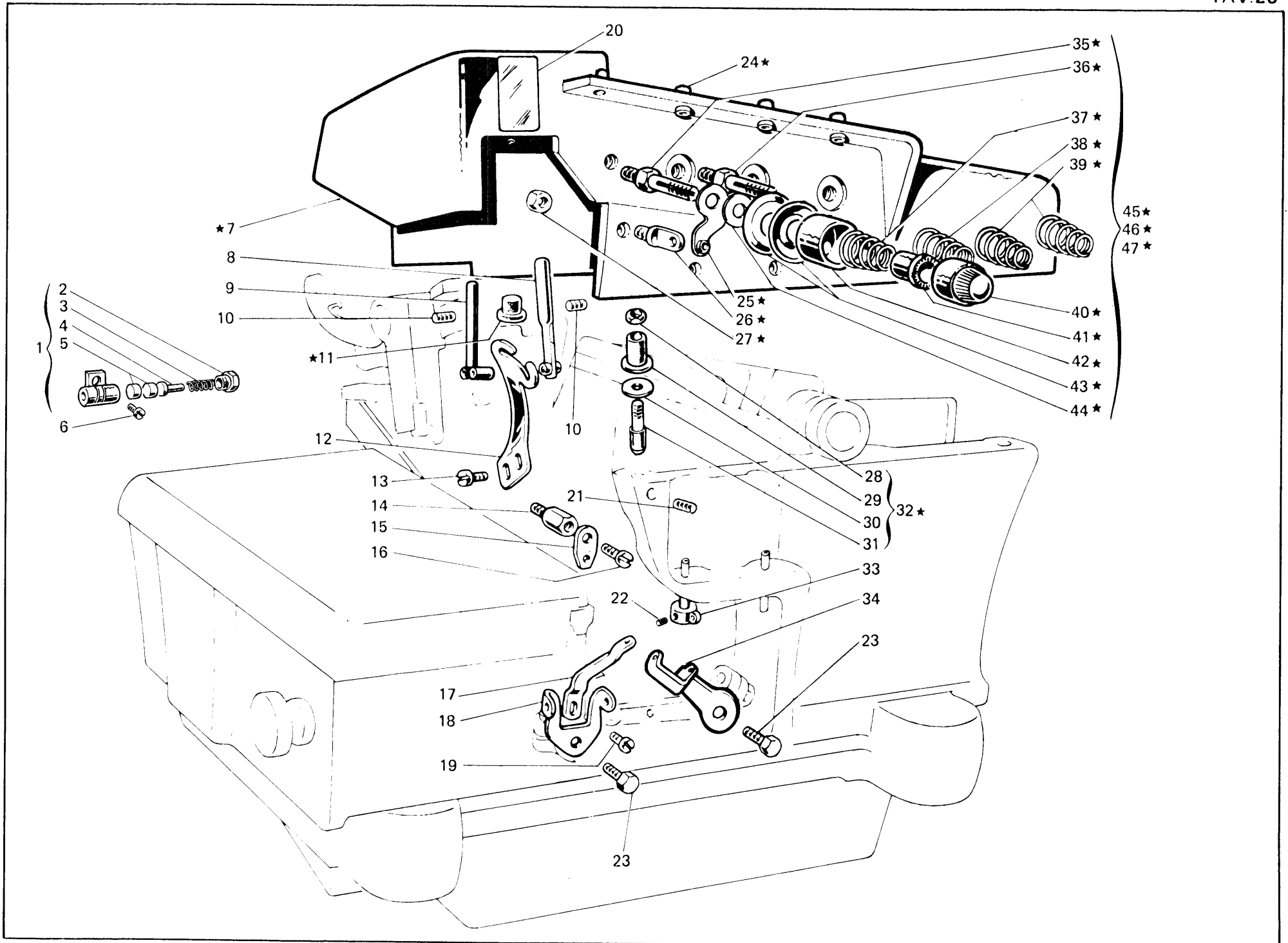
| Fig. N. Abb. N. | Part. N. Bestell N. Pieza N. | Qt. Anzahl | DESCRIZIONE | DESCRIPTION | DESCRIPTION | BENENNUNG | DESCRIPCION |
|--------------------|------------------------------------|---------------|--------------------------------|------------------------------|---------------------------------|-----------|-------------|
| | <u>Tav. 5</u> | | | | | | |
| ▲ | 207498-4-00 | 1 | albero princ. con cuscinetti | main shaft with bearing | arbre princ. avec coussinet | | |
| 8 | 206700-2-01 | 1 | albero principale | main shaft | arbre principal | | |
| | <u>Tav. 7</u> | | | | | | |
| ★ | 206390-4-00 | 1 | gruppo manicotti com. crochet | control looper assembly | groupe manchon comm. crochet | | |
| ▲ | 206418-4-00 | 1 | gruppo com. crochet super. | upper looper control ass. | groupe comm. crochet supérieur | | |
| 1 | 206452-4-00 | 1 | gruppo manicotto con biella | coupling ass. with con-rod | groupe manchon avec bielle | | |
| 6 | 206658-2-02 | 1 | manicotto | coupling | manchon | | |
| 8 } 13 } | 704847-0-00 | 2 | rondella | washer | rondelle | | |
| 11 | 206450-4-00 | 1 | gruppo manicotto con biella | coupling ass. with con-rod | groupe manchon avec bielle | | |
| 12 | 206648-2-02 | 1 | manicotto | coupling | manchon | | |
| 21 | 206412-3-00 | 1 | guida oscillante | oscillating guide | guide oscillant | | |
| 29 | 206653-2-00 | 1 | braccio | arm | bras | | |
| | <u>Tav. 9</u> | | | | | | |
| 40 | 765200-6-10 | 1 | ago sist. Rim 27 fin. 100 | needle syst. Rim 27 size 100 | aiguille syst. Rim 27 jauge 100 | | |
| 41 | 206542-2-00 | 1 | manovella albero sup. con vite | con-rod with screw | bras arbre sup. avec vis | | |
| | <u>Tav. 10</u> | | | | | | |
| ● | 206447-4-10 | 1 | gruppo supporto premistoffa | support assembly | groupe support | | |
| 37 | 205021-0-10 | 1 | molla | spring | ressort | | |
| | <u>Tav. 11</u> | | | | | | |
| 16 | 206575-2-00 | 1 | manov. albero coltello sup. | crank for upper knife shaft | manivelle arbre couteau sup. | | |
| | <u>Tav. 4</u> | | ANNULLATA | CANCELLED | ANNULEE | | |

VARIANTE PER

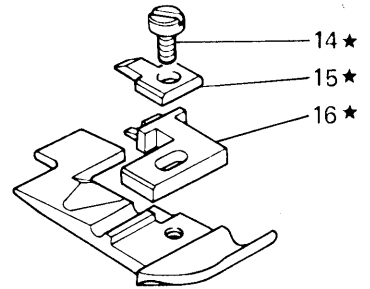
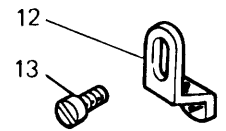
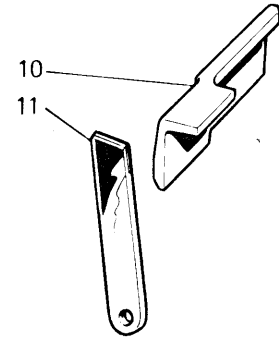
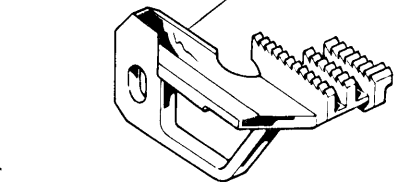
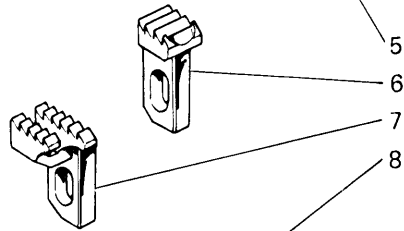
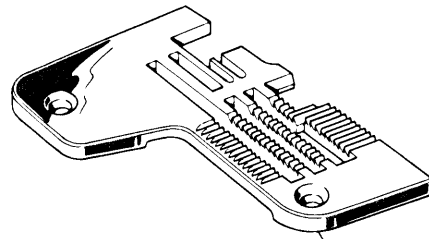
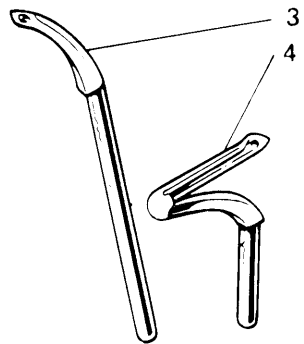
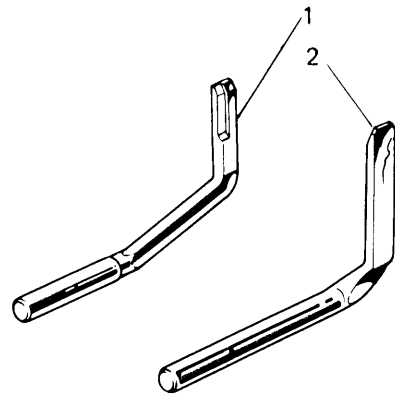
VARIATION FOR

VARIANTE POUR

127-00-2CD-15



| Fig. N. Abb. N. | Part. N. Bestell N. Piecce N. Pieza N. | Qt. Anzahl | DESCRIZIONE | DESCRIPTION | DESCRIPTION | BENENNUNG | DESCRIPCION |
|--------------------|---|---------------|----------------------------------|----------------------------------|-------------------------------------|-----------|-------------|
| ★ | 207771-4-00 | 1 | coperchio sup. completo | upper cover assembly | couvercle supérieur complet | | |
| 1 | 207551-4-00 | 1 | pressafilo completo | thread presser assembly | presse-fil complet | | |
| 2 | 202260-0-10 | 1 | tappo | plug | bouchon | | |
| 3 | 202257-0-10 | 1 | molla | spring | ressort | | |
| 4 | 202258-0-10 | 1 | pernetto | pin | pivot | | |
| 5 | 203635-0-10 | 2 | pastiglia | plug | bouchon | | |
| 6 | 207562-0-00 | 1 | vite | screw | vis | | |
| 7 | 207765-3-00 | 1 | coperchio con passafili | cover | couvercle | | |
| 8 | 206714-0-00 | 1 | passafilo | thread guide | passe-fil | | |
| 9 | 203647-2-12 | 1 | passafilo dell'ago | thread guide | passe-fil | | |
| 10 | 729011-2-00 | 2 | vite | screw | vis | | |
| 11 | 206746-0-00 | 2 | tampone | pad | tampon | | |
| 12 | 206535-0-00 | 1 | tendifilo ago | thread take-up | tendeur du fil | | |
| 13 | 741539-0-00 | 2 | vite | screw | vis | | |
| 14 | 206755-0-00 | 1 | colonnina per passafilo | thread tube | tube pour passe-fil | | |
| 15 | 206812-0-00 | 1 | passafilo crochet sup. | thread guide | passe-fil | | |
| 16 | 744631-2-00 | 1 | vite | screw | vis | | |
| 17 | 203572-0-10 | 1 | tendifilo | thread take-up | tendeur du fil | | |
| 18 | 202278-0-10 | 1 | tendifilo crochet inferiore | thread guide | tendeur du fil | | |
| 19 | 741657-0-00 | 1 | vite | screw | vis | | |
| 20 | 788001-0-01 | 1 | decalcomania sist. aghi | needle decalcomania | decalcomanie syst. aiguille | | |
| 21 | 745803-2-00 | 3 | vite | screw | vis | | |
| 22 | 745002-0-00 | 1 | vite | screw | vis | | |
| 23 | 724431-2-00 | 2 | vite | screw | vis | | |
| 24 | 202271-0-11 | 4 | passafilo | thread guide | passe-fil | | |
| 25 | 206713-2-00 | 1 | passafilo | thread guide | passe-fil | | |
| 26 | 206711-0-00 | 3 | passafilo | thread guide | passe-fil | | |
| 27 | 733503-0-00 | 3 | dado | nut | écrou | | |
| 28 | 207123-0-00 | 3 | dado | nut | écrou | | |
| 29 | 207122-0-00 | 3 | bussola in gomma | bush | bague | | |
| 30 | 704207-2-00 | 3 | rondella | washer | rondelle | | |
| 31 | 207120-0-00 | 3 | spina | pin | goupille | | |
| 32 | 207124-4-00 | 3 | spina per coperchio compl. | pin for cover assembly | goupille pour couvercle compl. | | |
| 33 | 203135-2-10 | 1 | passafilo con vite | thread guide with screw | passe-fil avec vis | | |
| 34 | 202283-0-10 | 1 | tendifilo crochet inferiore | thread take-up | tendeur du fil | | |
| 35 | 202225-0-11 | 1 | perno | pin | pivot | | |
| 36 | 206747-0-01 | 3 | perno | pin | pivot | | |
| 37 | 202227-0-10 | 1 | molla per tensione fig. 47 | spring for tension fig. 47 | ressort pour tension fig. 47 | | |
| 38 | 202228-0-10 | 1 | molla per tensione fig. 45 | spring for tension fig. 45 | ressort pour tension fig. 45 | | |
| 39 | 202681-0-10 | 2 | molla per tensione fig. 46 | spring for tension fig. 46 | ressort pour tension fig. 46 | | |
| 40 | 202558-2-00 | 4 | pomolo | knob | pommeau | | |
| 41 | 202229-0-10 | 4 | bussola | bush | bague | | |
| 42 | 202556-0-00 | 4 | scodellino | cup | cuvette | | |
| 43 | 300218-0-10 | 8 | disco tensione | tension disc | disque tension | | |
| 44 | 206754-0-00 | 4 | rondella | washer | rondelle | | |
| 45 | 206342-4-00 | 1 | tensione compl. con molla fig.38 | tension ass. with spring fig. 38 | tension compl. avec ressort fig. 38 | | |
| 46 | 206343-4-00 | 2 | tensione compl. con molla fig.39 | tension ass. with spring fig. 39 | tension compl. avec ressort fig. 39 | | |
| 47 | 206346-4-00 | 1 | tensione compl. con molla fig.37 | tension ass. with spring fig. 37 | tension compl. avec ressort fig. 37 | | |



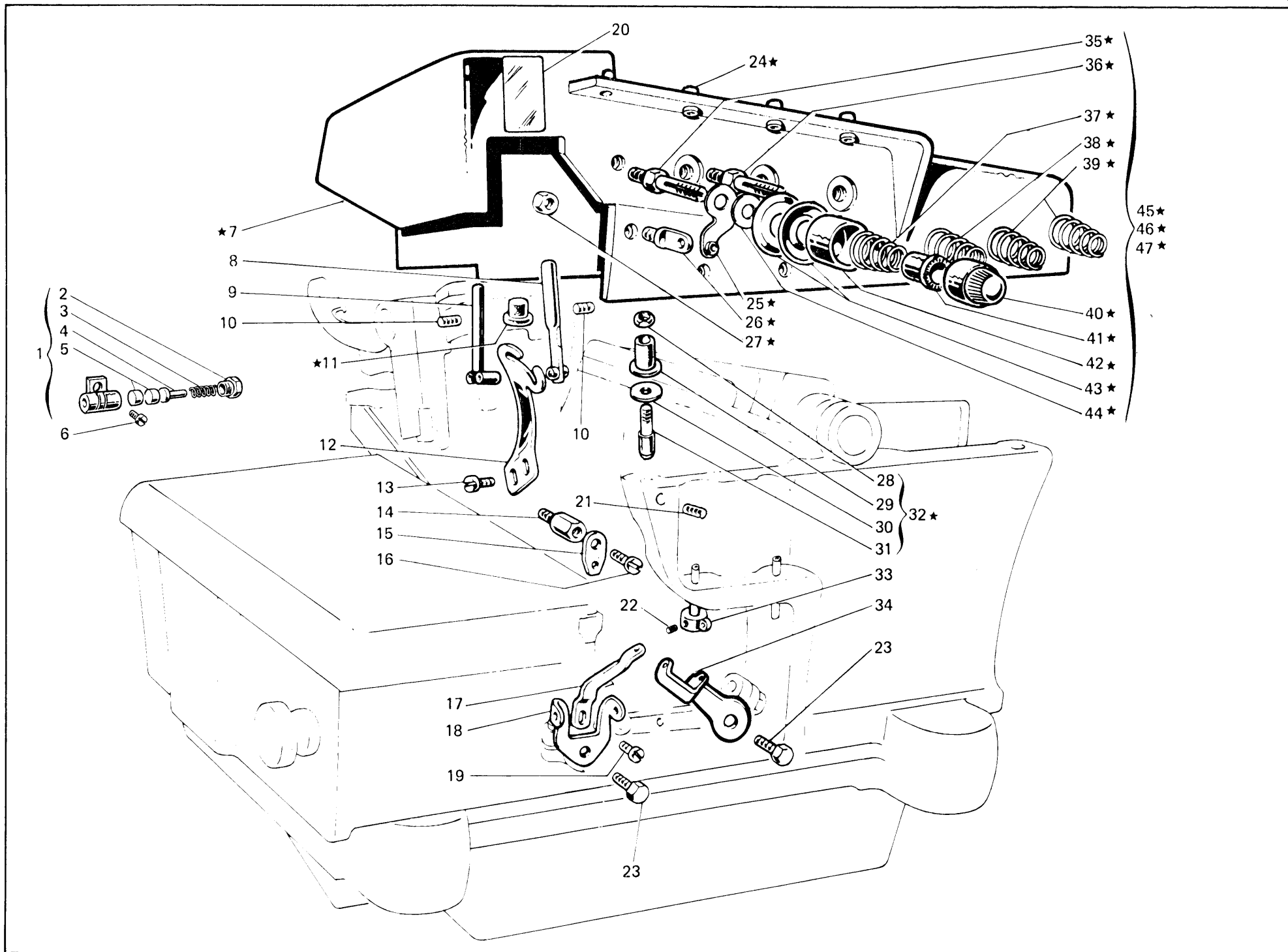
| Fig. N. Abb. N. | Part. N. Bestell N. Piece N. Pieza N. | Qt. Anzahl | DESCRIZIONE | DESCRIPTION | DESCRIPTION | BENENNUNG | DESCRIPCION |
|--------------------|--|---------------|-------------------------------|---------------------------------|---------------------------------------|-----------|-------------|
| ★ | 204037-3-11 | 1 | piedino completo | presserfoot assembly | pied-presseur complet | | |
| 1 | 204025-0-12 | 1 | salva ago | rear needle guard | protège-aiguille | | |
| 2 | 204024-0-11 | 1 | spingi asola | front needle guard | pare-boucle | | |
| 3 | 206208-0-00 | 1 | crochet superiore | upper looper | crochet supérieur | | |
| 4 | 202094-0-11 | 1 | crochet inferiore | lower looper | crochet inférieur | | |
| 5 | 203551-0-10 | 1 | placca ago larg. costa 5 mm | needle plate width bight 5 mm | plaque à aiguille larg. surjet 5 mm | | |
| 6 | 203612-0-10 | 1 | griffino | chaining feed dog | petite griffe | | |
| 7 | 203540-0-10 | 1 | griffa sussidiaria | subsidiary feed dog | griffe subsidiaire | | |
| 8 | 203533-0-10 | 1 | griffa principale | main feed dog | griffe principale | | |
| 9 | 200662-0-10 | 1 | carterino colt. superiore | upper knife cover | carter couteau supérieur | | |
| 10 | 202142-0-10 | 2 | coltello superiore | upper knife | couteau supérieur | | |
| 11 | 202146-0-10 | 2 | coltello inferiore | lower knife | couteau inférieur | | |
| 12 | 206771-0-11 | 1 | squadretta fermo piedino | bracket | équerre | | |
| 13 | 741658-2-00 | 1 | vite | screw | vis | | |
| 14 | 741675-2-00 | 1 | vite | screw | vis | | |
| 15 | 203772-0-11 | 1 | staffa | bracket | bride | | |
| 16 | 203569-0-11 | 1 | linguetta | tongue | languette | | |
| | | | SOLO A RICHIESTA | ONLY ON REQUEST | SEULEMENT SUR DEMANDE | | |
| 3 | 206209-0-00 | 1 | crochet superiore | upper looper | crochet supérieur | | |
| 4 | 202095-0-11 | 1 | crochet inferiore | lower looper | crochet inférieur | | |
| 5 | 203579-0-10 | 1 | placca ago larg. costa 5,2 mm | needle plate width bight 5,2 mm | plaque à aiguille larg. surjet 5,2 mm | | |
| | 203695-0-00 | 1 | placca ago larg. costa 7 mm | needle plate width bight 7 mm | plaque à aiguille larg. surjet 7 mm | | |
| 7 | 203609-0-10 | 1 | griffa sussidiaria | subsidiary feed dog | griffe subsidiaire | | |
| 8 | 203668-0-11 | 1 | griffa principale | main feed dog | griffe principale | | |
| 10 | 202143-0-10 | 1 | coltello superiore | upper knife | couteau supérieur | | |
| ★ | <u>Tav. 7</u> 206392-4-00 | 1 | gruppo manicotti com. crochet | control looper assembly | groupe manchon commande crochet | | |
| 1 | 206452-4-00 | 1 | gruppo manicotto con biella | coupling con-rod assembly | groupe manchon avec bielle | | |
| 6 | 206659-2-01 | 2 | manicotto | coupling | manchon | | |
| 8 | 704848-0-00 | 1 | rondella | washer | rondelle | | |
| 9 | 704845-0-00 | 1 | rondella | washer | rondelle | | |
| ▲ | <u>Tav. 9</u> 207512-4-00 | 1 | morsetto porta aghi compl. | needle clamp assembly | porte-aiguilles complet | | |
| 28 | 745810-2-00 | 2 | vite | screw | vis | | |
| 37 | 207522-2-00 | 1 | morsetto porta aghi | needles clamp | porte-aiguilles | | |
| 39 | 207542-0-00 | 1 | guidafilo | thread guide | guide-fil | | |
| 40 | 765200-6-80 | 2 | ago sist. Rim 27 fin. 80 | needle syst. Rim 27 size 80 | aiguille syst. Rim 27 jauge 80 | | |
| 41 | 206541-2-00 | 1 | manovella alb. sup. con vite | con-rod with screw | bras arbre sup. avec vis | | |
| | <u>Tav. 4</u> | | ANNULLATA | CANCELLED | ANNULEE | | |

VARIANTE PER

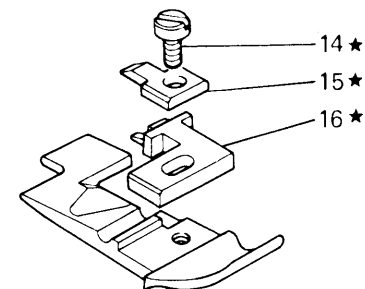
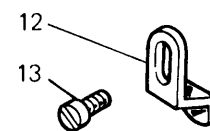
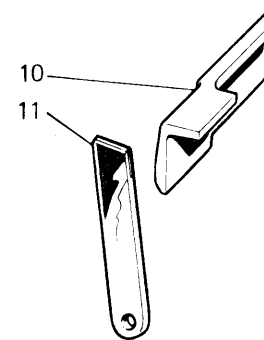
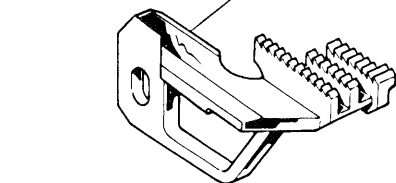
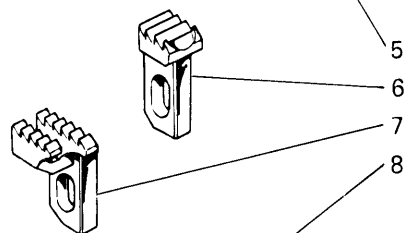
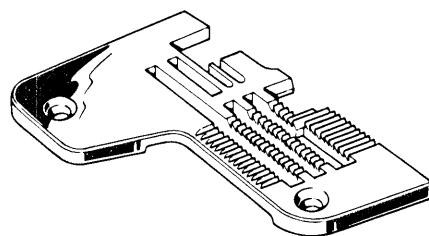
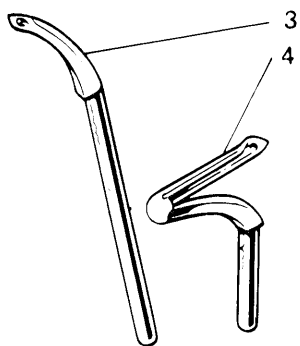
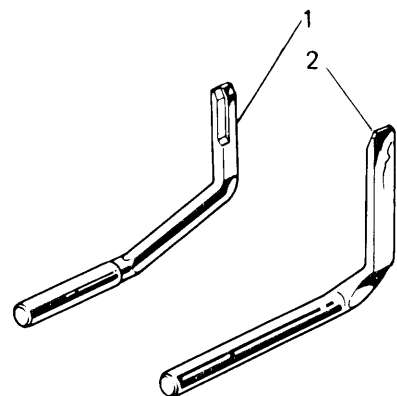
VARIATION FOR

VARIANTE POUR

127-00-2CD-18



| Fig. N. Abb. N. | Part. N. Piecce N. Bestell N. Pieza N. | Qt. Anzahl | DESCRIZIONE | DESCRIPTION | DESCRIPTION | BENENNUNG | DESCRIPCION |
|--------------------|---|---------------|-----------------------------------|--------------------------------------|-------------------------------------|-----------|-------------|
| ★ | 207771-4.00 | 1 | coperchio sup. completo | upper cover assembly | couvercle sup. complet | | |
| 1 | 207551-4.00 | 1 | passafilo completo | thread guide | passe-fil | | |
| 2 | 202260-0-10 | 1 | tappo | plug | bouchon | | |
| 3 | 202257-0-10 | 1 | molla | spring | ressort | | |
| 4 | 202258-0-10 | 1 | pernetto | pin | pivot | | |
| 5 | 203635-0-10 | 2 | pastiglia | plug | bouchon | | |
| 6 | 207562-0-00 | 1 | vite | screw | vis | | |
| 7 | 207765-3-00 | 1 | coperchio con passafili | cover | couvercle | | |
| 8 | 206714-0-00 | 1 | passafilo | thread guide | passe-fil | | |
| 9 | 203647-2-12 | 1 | passafilo dell'ago | thread guide | passe-fil | | |
| 10 | 729011-2-00 | 2 | vite | screw | vis | | |
| 11 | 206746-0-00 | 2 | tampone | pad | tampon | | |
| 12 | 206535-0-00 | 1 | tendifilo ago | thread take-up | tendeur du fil | | |
| 13 | 741539-0-00 | 2 | vite | screw | vis | | |
| 14 | 206755-0-00 | 1 | colonnina per passafilo | thread tube | tube pour passe-fil | | |
| 15 | 206812-0-00 | 1 | passafilo crochet sup. | thread guide | passe-fil | | |
| 16 | 744631-2-00 | 1 | vite | screw | vis | | |
| 17 | 203027-0-10 | 1 | tendifilo | thread take-up | tendeur du fil | | |
| 18 | 203133-0-10 | 1 | tendifilo crochet inferiore | thread take-up | tendeur du fil | | |
| 19 | 741657-0-00 | 1 | vite | screw | vis | | |
| 20 | 788000-0-01 | 1 | decalcomania sist. aghi | needle syst. decalcomania | décalcomanie syst. aiguilles | | |
| 21 | 745803-2-00 | 3 | vite | screw | vis | | |
| 22 | 745002-0-00 | 1 | vite | screw | vis | | |
| 23 | 720431-2-00 | 2 | vite | screw | vis | | |
| 24 | 202271-0-11 | 4 | passafilo | thread guide | passe-fil | | |
| 25 | 206713-2-00 | 1 | passafilo | thread guide | passe-fil | | |
| 26 | 206711-0-00 | 3 | passafilo | thread guide | passe-fil | | |
| 27 | 733503-0-00 | 3 | dado | nut | écrou | | |
| 28 | 207123-0-00 | 3 | dado | nut | écrou | | |
| 29 | 207122-0-00 | 3 | bussola in gomma | bush | bage | | |
| 30 | 704207-2-00 | 3 | rondella | washer | rondelle | | |
| 31 | 207120-0-00 | 3 | spina | pin | goupille | | |
| 32 | 207124-4-00 | 3 | spina per coperchio compl. | pin | goupille | | |
| 33 | 203135-2-10 | 1 | passafilo | thread guide | passe-fil | | |
| 34 | 203136-0-10 | 1 | tendifilo crochet inferiore | thread guide | tendeur du fil | | |
| 35 | 202225-0-11 | 1 | perno | pin | pivot | | |
| 36 | 206747-0-01 | 3 | perno | pin | pivot | | |
| 37 | 202227-0-10 | 1 | molla per tensione fig. 47 | spring for tension fig. 47 | ressort pour tension fig. 47 | | |
| 38 | 202228-0-10 | 1 | molla per tensione fig. 45 | spring for tension fig. 45 | ressort pour tension fig. 45 | | |
| 39 | 202681-0-10 | 1 | molla per tensione fig. 46 | spring for tension fig. 46 | ressort pour tension fig. 46 | | |
| 40 | 202558-2-00 | 4 | pomolo | knob | pommeau | | |
| 41 | 202229-0-10 | 4 | bussola | bush | bage | | |
| 42 | 202556-0-00 | 4 | scodellino | cup | cuvette | | |
| 43 | 300218-0-10 | 8 | disco tensione | tension disc | disque tension | | |
| 44 | 206754-0-00 | 4 | rondella | washer | rondelle | | |
| 45 | 206342-4-00 | 1 | tensione compl. con molla fig. 38 | tension assembly with spring fig. 38 | tension compl. avec ressort fig. 38 | | |
| 46 | 206343-4-00 | 2 | tensione compl. con molla fig. 39 | tension assembly with spring fig. 39 | tension compl. avec ressort fig. 39 | | |
| 47 | 206346-4-00 | 1 | tensione compl. con molla fig. 37 | tension assembly with spring fig. 37 | tension compl. avec ressort fig. 37 | | |



| Fig. N. Abb. N. | Part. N. Bestell N. Pieze N. Pieza N. | Qt. Anzahl | DESCRIZIONE | DESCRIPTION | DESCRIPTION | BENENNUNG | DESCRIPCION |
|--------------------|--|---------------|---------------------------------|---------------------------------|---------------------------------------|-----------|-------------|
| ★ | 204009-3-12 | 1 | pedino completo | presserfoot assembly | pied-presseur complet | | |
| 1 | 203433-0-11 | 1 | salva ago | resr needle guard | protège-aiguille | | |
| 2 | 203430-0-11 | 1 | spingi asola | front needle guard | pare-boucle | | |
| 3 | 204021-0-10 | 1 | crochet superiore | upper looper | crochet supérieur | | |
| 4 | 202095-0-11 | 1 | crochet inferiore | lower looper | crochet inférieur | | |
| 5 | 204006-0-10 | 1 | placca ago larg. costa 5,5 mm | needle plate width bight 5,5 mm | plaque à aiguille larg. surjet 5,5 mm | | |
| 6 | 203612-0-10 | 1 | griffino | chaining feed dog | petite griffe | | |
| 7 | 203609-0-10 | 1 | griffa sussidiaria | subsidiary feed dog | griffe subsidiaire | | |
| 8 | 206298-0-00 | 1 | griffa principale | main feed dog | griffe principale | | |
| 9 | 200662-0-10 | 1 | carterino colt. superiore | upper knife cover | carter couteau supérieur | | |
| 10 | 203010-0-10 | 2 | coltello superiore | upper knife | couteau supérieur | | |
| 11 | 203012-0-10 | 2 | coltello inferiore | lower knife | couteau inférieur | | |
| 12 | 206771-0-00 | 1 | squadretta fermo piedino | bracket | équerre | | |
| 13 | 741658-2-00 | 1 | vite | screw | vis | | |
| 14 | 741675-2-00 | 1 | vite | screw | vis | | |
| 15 | 203772-0-11 | 1 | staffa | bracket | équerre | | |
| 16 | 204011-0-11 | 1 | linguetta | tongue | languette | | |
| | | | SOLO A RICHIESTA | ONLY ON REQUEST | SEULEMENT SUR DEMANDE | | |
| 3 | 204033-0-10 | 1 | crochet superiore | upper looper | crochet supérieur | | |
| 4 | 202094-0-11 | 1 | crochet inferiore | lower looper | crochet inférieur | | |
| 5 | 204007-0-10 | 1 | placca ago larg. costa 6,5 mm | needle plate width bight 6,5 mm | needle plate larg. surjet 6,5 mm | | |
| | 204012-0-10 | 1 | placca ago larg. costa 4 mm | needle plate width bight 4 mm | needle plate larg. surjet 4 mm | | |
| | 205650-0-00 | 1 | placca ago larg. costa 7,5 mm | needle plate width bight 7,5 mm | needle plate larg. surjet 7,5 mm | | |
| 7 | 203540-0-10 | 1 | griffa sussidiaria | subsidiary feed dog | griffe subsidiaire | | |
| | 203611-2-11 | 1 | griffa sussidiaria in Vulkollan | subsidiary feed dog | griffe subsidiaire | | |
| 8 | 203607-2-11 | 1 | griffa principale in Vulkollan | main feed dog | griffe principale | | |
| | 203651-0-10 | 1 | griffa principale | main feed dog | griffe principale | | |
| | 203668-0-10 | 1 | griffa principale | main feed dog | griffe principale | | |

| Fig. N. Abb. N. | Part. N. Bestell N. Piece N. Pieza N. | Qt. Anzahl | DESCRIZIONE | DESCRIPTION | DESCRIPTION | BENENNUNG | DESCRIPCION |
|--------------------|--|---------------|----------------------------------|--------------------------------|---------------------------------|-----------|-------------|
| | <u>Tav. 5</u> | | | | | | |
| ▲ | 207498-4-00 | 1 | albero principale con cuscinetti | main shaft | arbre principale | | |
| 8 | 206700-2-01 | 1 | albero principale | main shaft | arbre principale | | |
| | <u>Tav. 7</u> | | | | | | |
| ★ | 206393-4-00 | 1 | gruppo manicotti com, crochet | control looper assembly | groupe manchon commande crochet | | |
| ▲ | 206417-4-00 | 1 | gruppo com, crochet super. | upper looper control | groupe comm, crochet supérieur | | |
| 1 | 206452-4-00 | 1 | gruppo manicotto con biella | coupling with con-rod assembly | groupe manchon avec bielle | | |
| 6 | 206659-2-01 | 2 | manicotto | coupling | manchon | | |
| 8 | 704848-0-00 | 2 | rondella | washer | rondelle | | |
| 13 | | | | | | | |
| 21 | 206412-3-00 | 1 | guida oscillante | guide | guide | | |
| | <u>Tav. 9</u> | | | | | | |
| ▲ | 207513-4-00 | 1 | morsetto porta aghi compl. | needles clamp assembly | porte-aiguilles complet | | |
| 28 | 745810-2-00 | 2 | vite | screw | vis | | |
| 37 | 207523-2-00 | 1 | morsetto porta aghi | needles clamp | porte-aiguilles | | |
| 39 | 207542-0-00 | 1 | guidafilo | thread guide | guide-fil | | |
| 40 | 765000-6-90 | 2 | ago sist. Rim 26 fin. 90 | needle syst, Rim 26 size 90 | aiguille syst, Rim 26 jauge 90 | | |
| 41 | 206541-2-00 | 1 | manovella alb. sup. con vite | con-rod with screw | bras arbre sup. avec vis | | |
| | <u>Tav. 10</u> | | | | | | |
| ● | 206447-4-10 | 1 | gruppo supporto premistoffa | support assembly | groupe support | | |
| 37 | 205021-0-10 | 1 | molla | spring | ressort | | |
| | <u>Tav. 4</u> | | ANNULLATA | CANCELLED | ANNULEE | | |

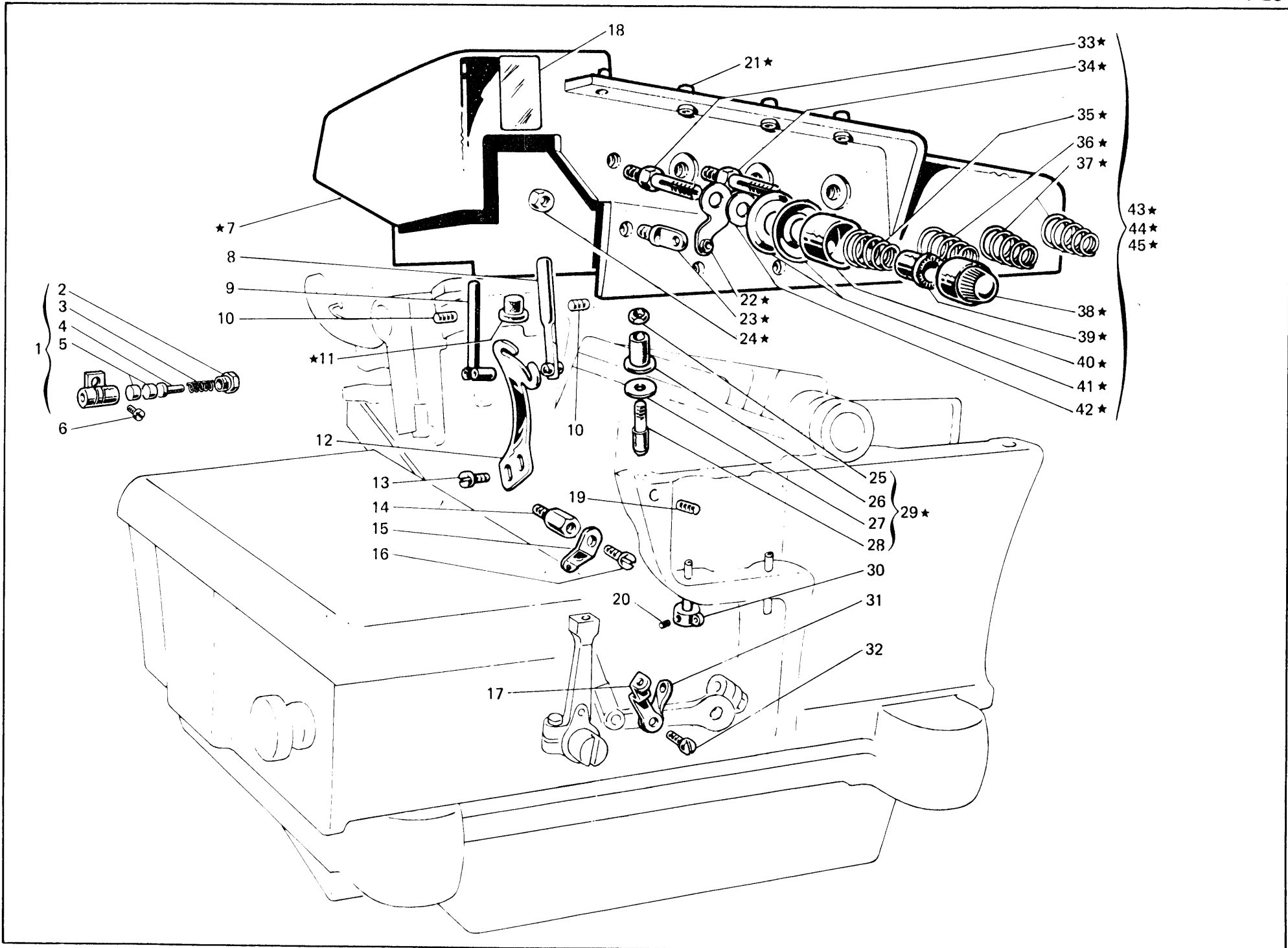
VARIANTE PER

VARIATION FOR

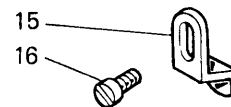
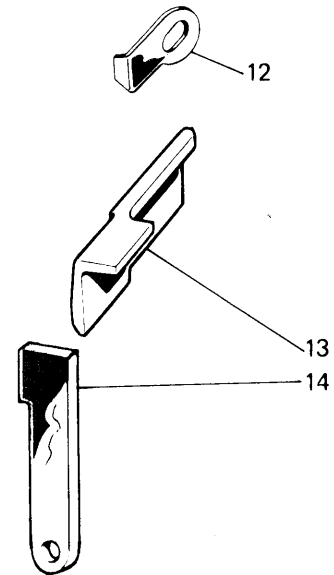
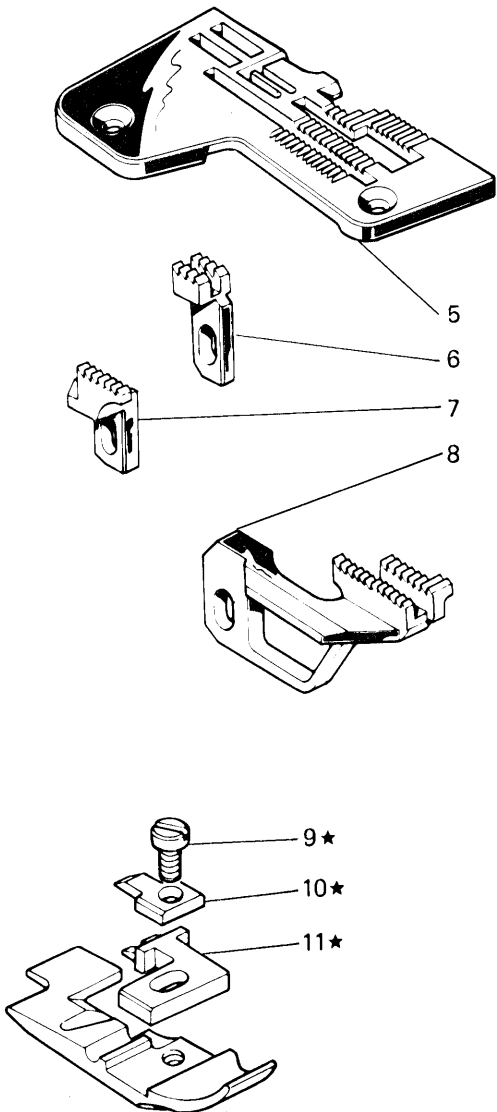
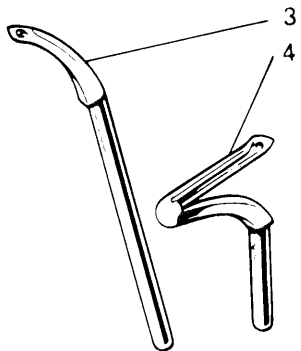
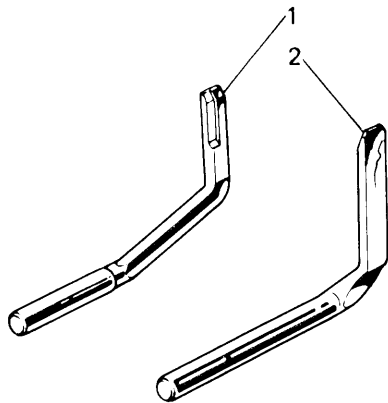
VARIANTE POUR

127-00-2CD-41

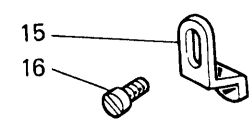
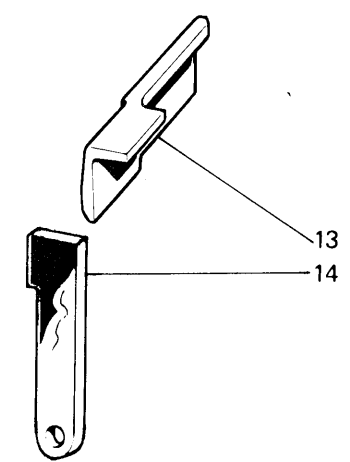
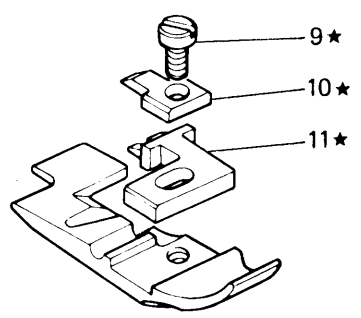
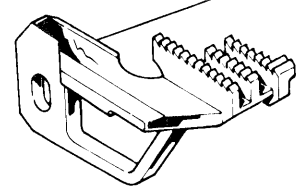
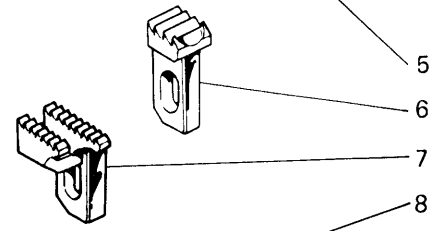
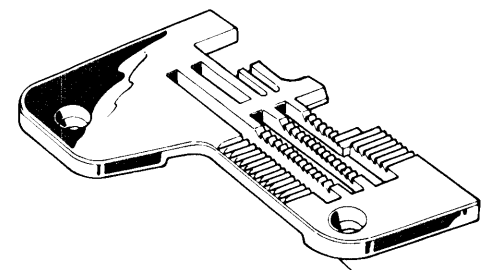
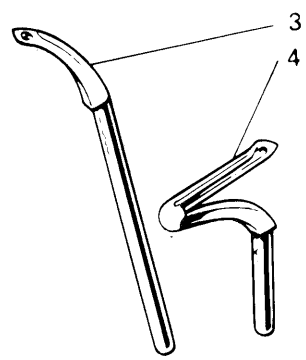
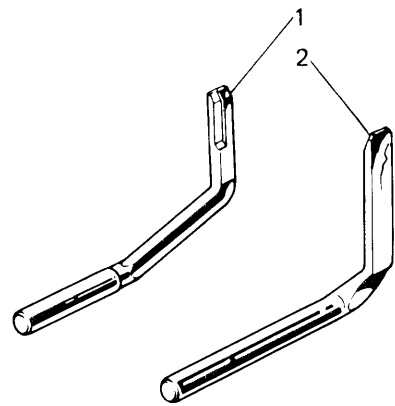
127-00-2CD-48



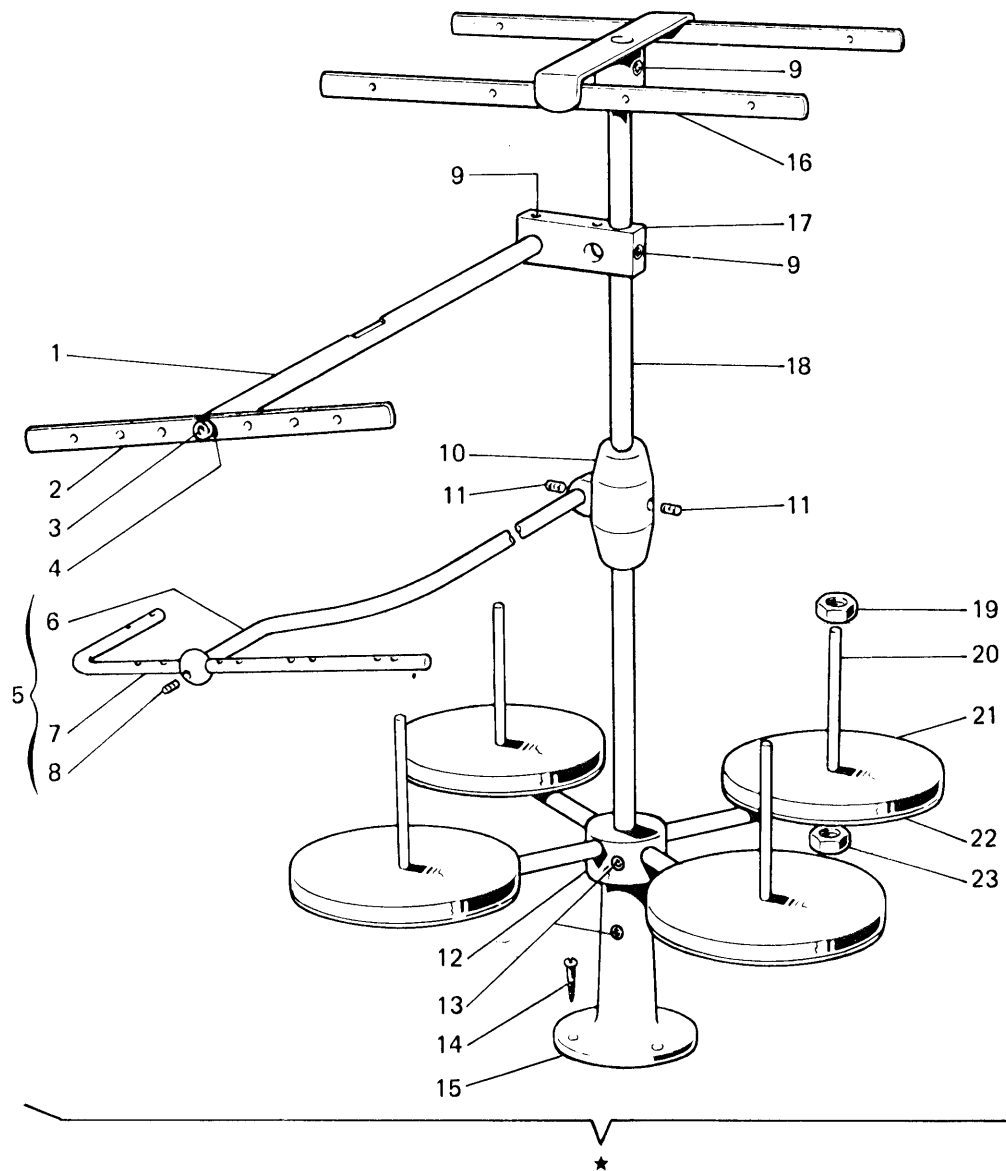
| Fig. N. Abb. N. | Part. N. Piec. N. Bestell N. Pieza N. | Qt. Anzahi | DESCRIZIONE | DESCRIPTION | DESCRIPTION | BENENNUNG | DESCRIPCION |
|--------------------|--|---------------|-----------------------------------|----------------------------------|-------------------------------------|-----------|-------------|
| ★ | 207771-4-00 | 1 | coperchio sup. completo | upper cover assembly | couvercle supérieur compl. | | |
| 1 | 207551-4-00 | 1 | pressafilo completo | thread presser | presse-fil | | |
| 2 | 202260-0-10 | 1 | tappo | plug | bouchon | | |
| 3 | 202257-0-10 | 1 | molla | spring | ressort | | |
| 4 | 202258-0-10 | 1 | pernetto | pin | pivot | | |
| 5 | 203635-0-10 | 2 | pastiglia | plug | bouchon | | |
| 6 | 207562-0-00 | 1 | vite | screw | vis | | |
| 7 | 207765-3-00 | 1 | coperchio con passafili | cover with thread guide | couvercle avec passe-fil | | |
| 8 | 206714-2-12 | 1 | passafilo | thread guide | passe-fil | | |
| 9 | 203647-2-12 | 1 | passafilo dell'ago | needle thread guide | passe-fil de l'aiguille | | |
| 10 | 729011-2-00 | 2 | vite | screw | vis | | |
| 11 | 206746-0-00 | 2 | tampone | pad | tampon | | |
| 12 | 206535-0-00 | 1 | tendifilo ago | needle thread take-up | tendeur du fil aiguille | | |
| 13 | 741539-0-00 | 2 | vite | screw | vis | | |
| 14 | 206755-0-00 | 1 | colonnina per passafilo | threaded tube | tube pour passe-fil | | |
| 15 | 204035-0-10 | 1 | passafilo crochet sup. | thread guide for upper looper | passe-fil crochet sup. | | |
| 16 | 744631-2-00 | 1 | vite | screw | vis | | |
| 17 | 202279-0-10 | 1 | tendifilo | thread take-up | tendeur du fil | | |
| 18 | 788001-0-01 | 1 | decalcomania sist. aghi | needles syst. decalcomania | décalcomanie syst. aiguilles | | |
| 19 | 745803-2-00 | 3 | vite | screw | vis | | |
| 20 | 745002-0-00 | 1 | vite | screw | vis | | |
| 21 | 202271-0-11 | 4 | passafilo | thread guide | passe-fil | | |
| 22 | 206713-2-00 | 1 | passafilo | thread guide | passe-fil | | |
| 23 | 206711-0-00 | 3 | passafilo | thread guide | passe-fil | | |
| 24 | 733503-0-00 | 3 | dado | nut | écrou | | |
| 25 | 207123-0-00 | 3 | dado | nut | écrou | | |
| 26 | 207122-0-00 | 3 | bussola in gomma | bush | bague | | |
| 27 | 704207-2-00 | 3 | rondella | washer | rondelle | | |
| 28 | 207120-0-00 | 3 | spina | pin | goupille | | |
| 29 | 207124-4-00 | 3 | spina per coperchio compl. | pin for cover assembly | goupille pour couvercle comp. | | |
| 30 | 203135-2-10 | 1 | passafilo con vite | thread guide with screw | passe-fil avec vis | | |
| 31 | 202281-0-10 | 1 | tendifilo | thread take-up | tendeur du fil | | |
| 32 | 741657-2-00 | 1 | vite | screw | vis | | |
| 33 | 202225-0-11 | 1 | perno | pin | pivot | | |
| 34 | 206747-0-01 | 3 | perno | pin | pivot | | |
| 35 | 202227-0-10 | 1 | molla per tensione fig. 45 | spring for tension fig. 45 | ressort pour tension fig. 45 | | |
| 36 | 202228-0-10 | 1 | molla per tensione fig. 43 | spring for tension fig. 43 | ressort pour tension fig. 43 | | |
| 37 | 202681-0-10 | 2 | molla per tensione fig. 44 | spring for tension fig. 44 | ressort pour tension fig. 44 | | |
| 38 | 202558-2-00 | 4 | pomolo | knob | pommeau | | |
| 39 | 202229-0-10 | 4 | bussola | bush | bague | | |
| 40 | 202556-0-00 | 4 | scodellino | cup | cuvette | | |
| 41 | 300218-0-10 | 8 | disco tensione | tension disc | disque tension | | |
| 42 | 206754-0-00 | 4 | rondella | washer | rondelle | | |
| 43 | 206342-4-00 | 1 | tensione compl. con molla fig. 36 | tension ass. with spring fig. 36 | tension compl. avec ressort fig. 36 | | |
| 44 | 206343-4-00 | 2 | tensione compl. con molla fig. 37 | tension ass. with spring fig. 37 | tension compl. avec ressort fig. 37 | | |
| 45 | 206346-4-00 | 1 | tensione compl. con molla fig. 35 | tension ass. with spring fig. 35 | tension compl. avec ressort fig. 35 | | |



| Fig. N. Abb. N. | Part. N. Bestell N. Piec N. Pieza N. | Qt. Anzahl | DESCRIZIONE | DESCRIPTION | DESCRIPTION | BENENNUNG | DESCRIPCION |
|--------------------|---|---------------|-------------------------------|---------------------------------|---------------------------------------|-----------|-------------|
| ★ | 203597-3-11 | 1 | pedino completo | presserfoot assembly | pied-presseur complet | | |
| 1 | 204025-0-12 | 1 | salva ago | rear needle guard | protège-aiguille | | |
| 2 | 204024-0-11 | 1 | spingi asola | front needle guard | pare-boucle | | |
| 3 | 207059-0-00 | 1 | crochet superiore | upper looper | crochet supérieur | | |
| 4 | 202094-0-11 | 1 | crochet inferiore | lower looper | crochet inférieur | | |
| 5 | 203583-0-10 | 1 | placca ago larg. costa 6 mm | needle plate width bight 6 mm | plaque à aiguille larg. surjet 6 mm | | |
| 6 | 203544-0-10 | 1 | griffino | chaining feed dog | petite griffe | | |
| 7 | 203542-0-10 | 1 | griffa sussidiaria | subsidiary feed dog | griffe subsidiaire | | |
| 8 | 203536-0-10 | 1 | griffa principale | main feed dog | griffe principale | | |
| 9 | 741675-2-00 | 1 | vite | screw | vis | | |
| 10 | 203772-0-11 | 1 | staffa | bracket | bride | | |
| 11 | 203569-0-11 | 1 | linguetta | tongue | languette | | |
| 12 | 200662-0-10 | 1 | carterino | cover | carter | | |
| 13 | 202142-0-10 | 2 | coltello superiore | upper knife | couteau supérieur | | |
| 14 | 202146-0-10 | 2 | coltello inferiore | lower knife | couteau inférieur | | |
| 15 | 206771-0-11 | 1 | squadretta fermo piedino | bracket | équerre | | |
| 16 | 741658-2-00 | 1 | vite | screw | vis | | |
| | | | SOLO A RICHIESTA | ONLY ON REQUEST | SEULEMENT SUR DEMANDE | | |
| 5 | 203552-0-10 | 1 | placca ago larg. costa 5 mm | needle plate width bight 5 mm | plaque à aiguille larg. surjet 5 mm | | |
| | 203580-0-10 | 1 | placca ago larg. costa 5,2 mm | needle plate width bight 5,2 mm | plaque à aiguille larg. surjet 5,2 mm | | |
| 13 | 202143-0-10 | 1 | coltello superiore | upper knife | couteau supérieur | | |
| ★ | <u>Tav. 7</u> 206399-4-00 | 1 | gruppo manicotti com. crochet | control looper assembly | groupe manchon comm. crochet | | |
| ▲ | 206417-4-00 | 1 | gruppo com. crochet super. | upper looper control ass. | groupe comm. crochet supérieur | | |
| 1 | 206452-4-00 | 1 | gruppo manicotto con biella | coupling ass. with con-rod | groupe manchon avec bielle | | |
| 6 | 206658-2-02 | 1 | manicotto | coupling | manchon | | |
| 8 | 704848-0-00 | 1 | rondella | washer | rondelle | | |
| 11 | 206451-4-00 | 1 | gruppo manicotto con biella | coupling ass. with con-rod | groupe manchon avec bielle | | |
| 12 | 206649-2-02 | 1 | manicotto | coupling | manchon | | |
| 13 | 704845-0-00 | 1 | rondella | washer | rondelle | | |
| 21 | 206412-3-00 | 1 | guida oscillante | oscillating guide | guide oscillant | | |
| ▲ | <u>Tav. 9</u> 207512-4-00 | 1 | morsetto porta aghi compl. | needles clamp assembly | porte-aiguilles complet | | |
| 28 | 745810-2-00 | 2 | vite | screw | vis | | |
| 37 | 207522-2-00 | 1 | morsetto porta aghi | needles clamp | porte-aiguilles | | |
| 39 | 207542-0-00 | 1 | guidafilo | thread guide | guide-fil | | |
| 40 | 765200-6-80 | 2 | ago sist. Rim 27 fin. 80 | needle syst. Rim 27 size 80 | aiguille syst. Rim 27 jauge 80 | | |
| 41 | 206541-2-00 | 1 | manovella alb. sup. con vite | con-rod with screw | bras arbre sup. avec vis | | |
| | <u>Tav. 4</u> | | ANNULLATA | CANCELLED | ANNULEE | | |



| Fig. N. Abb. N. | Part. N. Bestell N. Pieza N. Pieza N. | Qt. Anzahl | DESCRIZIONE | DESCRIPTION | DESCRIPTION | BENENNUNG | DESCRIPCION |
|--------------------|--|---------------|------------------------------|-------------------------------|-------------------------------------|-----------|-------------|
| ★ | 204017-3-11 | 1 | pieдино completo | presserfoot assembly | pied-presseur complet | | |
| 1 | 203433-0-11 | 1 | salva ago | rear needle guard | protège-aiguille | | |
| 2 | 203430-0-11 | 1 | spingi asola | front needle guard | pare-boucle | | |
| 3 | 207059-0-00 | 1 | crochet superiore | upper looper | crochet supérieur | | |
| 4 | 202094-0-11 | 1 | crochet inferiore | lower looper | crochet inférieur | | |
| 5 | 204012-0-10 | 1 | placca ago larg. costa 4 mm | needle plate width bight 4 mm | plaque à aiguille larg. surjet 4 mm | | |
| 6 | 203612-0-10 | 1 | griffino | chaining feed dog | petite griffe | | |
| 7 | 203540-0-10 | 1 | griffa sussidiaria | subsidiary feed dog | griffe subsidiaire | | |
| 8 | 204016-0-00 | 1 | griffa principale | main feed dog | griffe principale | | |
| 9 | 741665-2-00 | 1 | vite | screw | vis | | |
| 10 | 202201-0-11 | 1 | staffa | bracket | bride | | |
| 11 | 204018-0-11 | 1 | linguetta | tongue | languette | | |
| 12 | 200662-0-10 | 1 | carterino | cover | carter | | |
| 13 | 202932-0-10 | 2 | coltello superiore | upper knife | couteau supérieur | | |
| 14 | 203012-0-10 | 2 | coltello inferiore | lower knife | couteau inférieur | | |
| 15 | 206771-0-11 | 1 | squadretta fermo piedino | bracket | équerre | | |
| 16 | 741658-2-00 | 1 | vite | screw | vis | | |
| | | | SOLO A RICHIESTA | ONLY ON REQUEST | SEULEMENT SUR DEMANDE | | |
| 13 | 203010-0-10 | 1 | coltello superiore | upper knife | couteau supérieur | | |
| 18 | <u>Tav. 4</u> 788000-0-01 | 1 | decalcomania sist. aghi | needles syst. decalcomania | décalcomanie syst. aiguilles | | |
| ▲ | <u>Tav. 9</u> 207513-4-00 | 1 | morsetto porta aghi compl. | needles clamp assembly | porte-aiguilles complet | | |
| 28 | 745810-2-00 | 2 | vite | screw | vis | | |
| 37 | 207523-2-00 | 1 | morsetto porta aghi | needles clamp | porte-aiguilles | | |
| 39 | 207542-0-00 | 1 | guidafilo | thread guide | guide-fil | | |
| 40 | 765000-6-80 | 2 | ago sist. Rim 26 fin. 80 | needle syst. Rim 26 size 80 | aiguille syst. Rim 26 jauge 80 | | |
| 41 | 206541-2-00 | 1 | manovella alb. sup. con vite | con-rod with screw | bras arbre sup. avec vis | | |



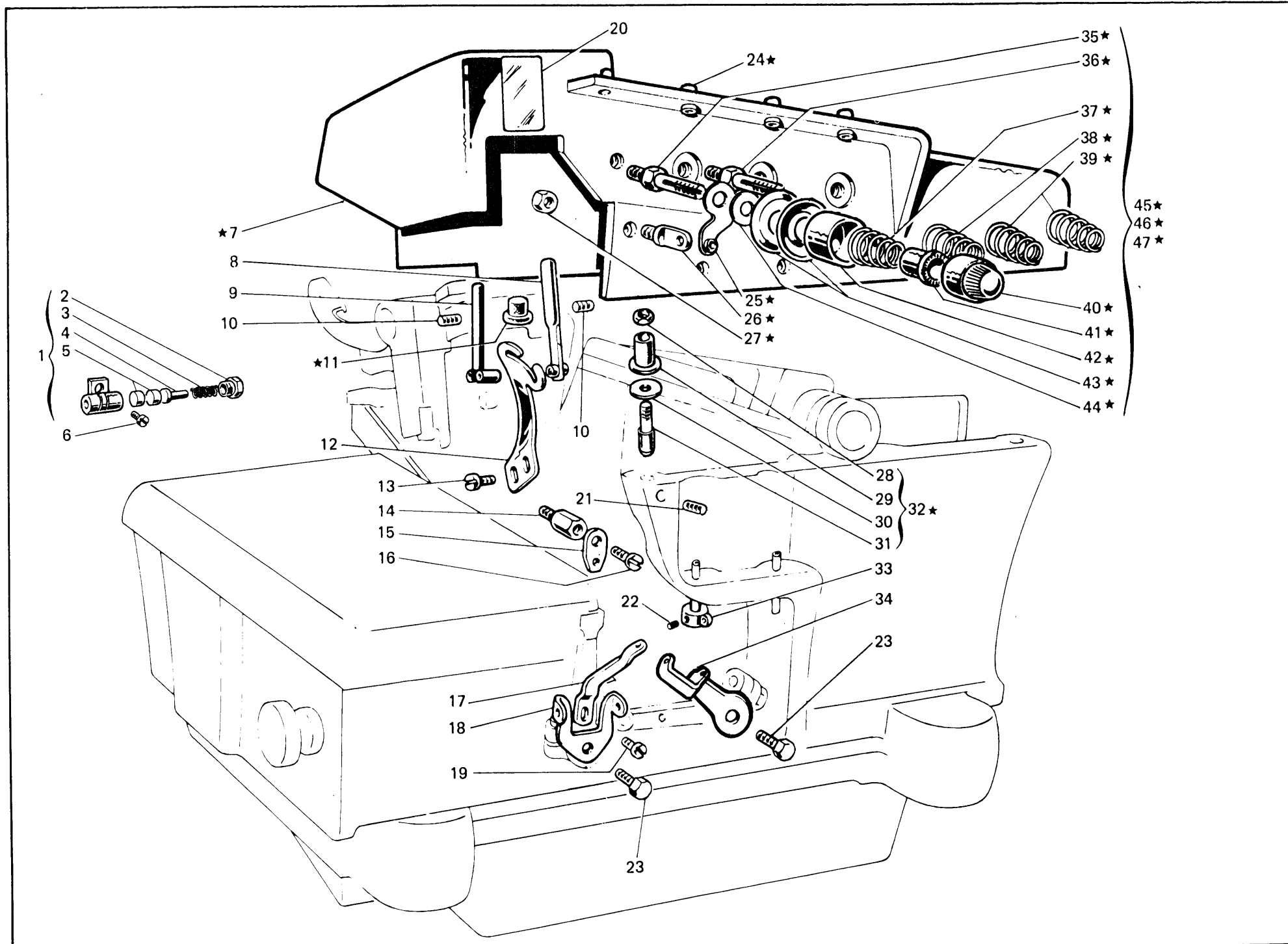
| Fig. N. Abb. N. | Part. N. Piecce N. Bestell N. Pieza N. | Qt. Anzahl | DESCRIZIONE | DESCRIPTION | DESCRIPTION | BENENNUNG | DESCRIPCION |
|--------------------|---|---------------|--------------------------------|--------------------------------|---------------------------------|-----------|-------------|
| ★ | 991154-5-00 | 1 | porta bobine compl. (3-4 fili) | bobbin carrier ass. (3-4 fils) | porte bobine complet (3-4 fils) | | |
| 1 | 991106-2-00 | 1 | asta | rod | tige | | |
| 2 | 991137-2-00 | 1 | piattina | plate | plaque | | |
| 3 | 722431-2-00 | 1 | vite | screw | vis | | |
| 4 | 703005-0-00 | 1 | rondella | washer | rondelle | | |
| 5 | 991169-4-00 | 1 | sostegno con asta | support with rod | support avec tige | | |
| 6 | 991157-0-00 | 1 | sostegno | support | support | | |
| 7 | 990462-0-10 | 1 | asta passafili | rod | tige | | |
| 8 | 729013-2-00 | 1 | vite | screw | vis | | |
| 9 | 729034-2-00 | 3 | vite | screw | vis | | |
| 10 | 991153-2-00 | 1 | supporto con viti | support with screw | support avec vis | | |
| 11 | 729024-2-00 | 2 | vite | screw | vis | | |
| 12 | 991129-3-00 | 1 | mozzo con aste | hub with rods | moyeu avec tiges | | |
| 13 | 729054-2-00 | 3 | vite | screw | vis | | |
| 14 | 731107-2-00 | 1 | vite da legno | screw | vis | | |
| 15 | 991114-2-00 | 1 | basetta con vite | base with screw | base avec vis | | |
| 16 | 991121-3-00 | 1 | telaio superiore | upper frame | bâti supérieur | | |
| 17 | 991128-2-00 | 1 | blocchetto con viti | block with screw | bloc avec vis | | |
| 18 | 991113-0-00 | 1 | asta principale | main rod | tige principale | | |
| 19 | 733508-2-00 | 4 | dado | nut | écrou | | |
| 20 | 991111-2-00 | 4 | astina | rod | tige | | |
| 21 | 991179-0-00 | 4 | disco | disc | disque | | |
| 22 | 991112-0-00 | 4 | piatto | disc | plateau | | |
| 23 | 925433-0-00 | 4 | dado | nut | écrou | | |

VARIANTE PER

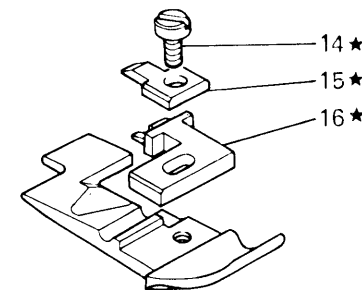
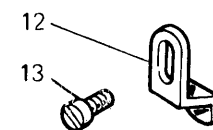
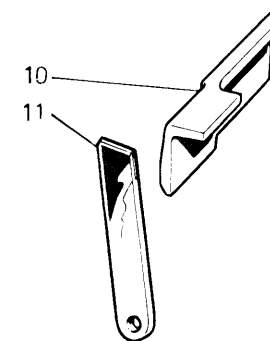
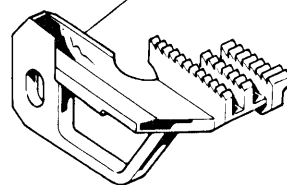
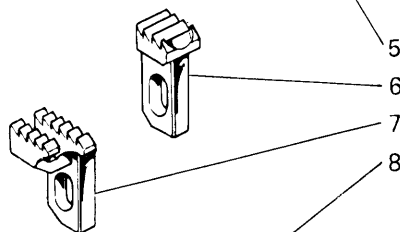
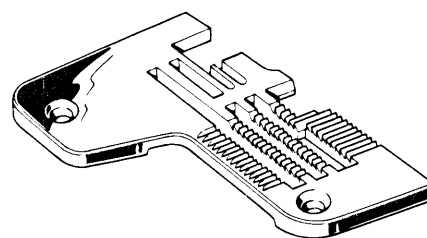
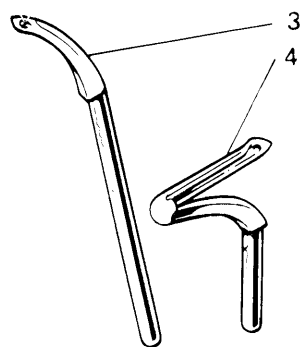
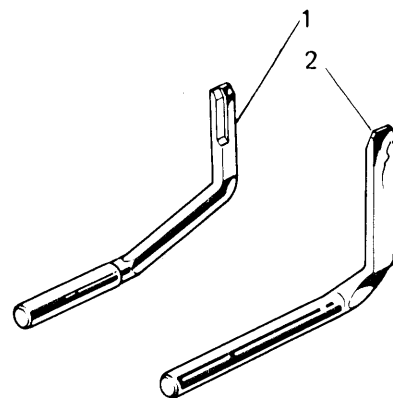
VARIATION FOR

VARIANTE POUR

127-00-2CD-45



| Fig. N. Abb. N. | Part. N. Piece N. Bestell N. Pieza N. | Qt. Anzahl | DESCRIZIONE | DESCRIPTION | DESCRIPTION | BENENNUNG | DESCRIPCION |
|--------------------|--|---------------|-----------------------------------|--------------------------------------|-------------|-----------|-------------|
| ★ | 207771-4-00 | 1 | coperchio sup. completo | upper cover assembly | | | |
| 1 | 207551-4-00 | 1 | passafilo completo | thread guide | | | |
| 2 | 202260-0-10 | 1 | tappo | plug | | | |
| 3 | 202257-0-10 | 1 | molla | spring | | | |
| 4 | 202258-0-10 | 1 | pernetto | pin | | | |
| 5 | 203635-0-10 | 2 | pastiglia | plug | | | |
| 6 | 207562-0-00 | 1 | vite | screw | | | |
| 7 | 207765-3-00 | 1 | coperchio con passafili | cover | | | |
| 8 | 206714-0-00 | 1 | passafilo | thread guide | | | |
| 9 | 203647-2-12 | 1 | passafilo dell'ago | thread guide | | | |
| 10 | 729011-2-00 | 2 | vite | screw | | | |
| 11 | 206746-0-00 | 2 | tampone | pad | | | |
| 12 | 206535-0-00 | 1 | tendifilo ago | thread take-up | | | |
| 13 | 741539-0-00 | 2 | vite | screw | | | |
| 14 | 206755-0-00 | 1 | colonnina per passafilo | thread tube | | | |
| 15 | 206812-0-00 | 1 | passafilo crochet sup. | thread guide | | | |
| 16 | 744631-2-00 | 1 | vite | screw | | | |
| 17 | 203572-0-10 | 1 | tendifilo | thread take-up | | | |
| 18 | 203133-0-10 | 1 | tendifilo crochet inferiore | thread take-up | | | |
| 19 | 741657-0-00 | 1 | vite | screw | | | |
| 20 | 788000-0-01 | 1 | decalcomania sist. aghi | needle syst. decalcomania | | | |
| 21 | 745803-2-00 | 3 | vite | screw | | | |
| 22 | 745002-0-00 | 1 | vite | screw | | | |
| 23 | 720431-2-00 | 2 | vite | screw | | | |
| 24 | 202271-0-11 | 4 | passafilo | thread guide | | | |
| 25 | 206713-2-00 | 1 | passafilo | thread guide | | | |
| 26 | 206711-0-00 | 3 | passafilo | thread guide | | | |
| 27 | 733503-0-00 | 3 | dado | nut | | | |
| 28 | 207123-0-00 | 3 | dado | nut | | | |
| 29 | 207122-0-00 | 3 | bussola in gomma | bush | | | |
| 30 | 704207-2-00 | 3 | rondella | washer | | | |
| 31 | 207120-0-00 | 3 | spina | pin | | | |
| 32 | 207124-4-00 | 3 | spina per coperchio compl. | pin | | | |
| 33 | 203135-2-10 | 1 | passafilo | thread guide | | | |
| 34 | 203136-0-10 | 1 | tendifilo crochet inferiore | thread guide | | | |
| 35 | 202225-0-11 | 1 | perno | pin | | | |
| 36 | 206747-0-01 | 3 | perno | pin | | | |
| 37 | 202227-0-10 | 1 | molla per tensione fig. 47 | spring for tension fig. 47 | | | |
| 38 | 202228-0-10 | 1 | molla per tensione fig. 45 | spring for tension fig. 45 | | | |
| 39 | 202681-0-10 | 1 | molla per tensione fig. 46 | spring for tension fig. 46 | | | |
| 40 | 202558-2-00 | 4 | pomolo | knob | | | |
| 41 | 202229-0-10 | 4 | bussola | bush | | | |
| 42 | 202556-0-00 | 4 | scodellino | cup | | | |
| 43 | 300218-0-10 | 8 | disco tensione | tension disc | | | |
| 44 | 206754-0-00 | 4 | rondella | washer | | | |
| 45 | 206342-4-00 | 1 | tensione compl. con molla fig. 38 | tension assembly with spring fig. 38 | | | |
| 46 | 206343-4-00 | 2 | tensione compl. con molla fig. 39 | tension assembly with spring fig. 39 | | | |
| 47 | 206346-4-00 | 1 | tensione compl. con molla fig. 37 | tension assembly with spring fig. 37 | | | |



| Fig. N. Abb. N. | Part. N. Bestell N. Piese N. Pieza N. | Qt. Anzahl | DESCRIZIONE | DESCRIPTION | DESCRIPTION | BENENNUNG | DESCRIPCION |
|--------------------|--|---------------|-----------------------------|-------------------------------|-------------------------------------|-----------|-------------|
| ★ | 204037-3-11 | 1 | pedino completo | presserfoot assembly | pied-presseur complet | | |
| 1 | 204025-0-12 | 1 | salva ago | rear needle guard | protège aiguille | | |
| 2 | 204024-0-11 | 1 | spingi asola | front needle guard | protège aiguille | | |
| 3 | 206209-0-00 | 1 | crochet superiore | upper looper | crochet supérieur | | |
| 4 | 202095-0-11 | 1 | crochet inferiore | lower looper | crochet inférieur | | |
| 5 | 203551-0-10 | 1 | placca ago larg. costa 5 mm | needle plate width bight 5 mm | plaque à aiguille larg. surjet 5 mm | | |
| 6 | 203612-0-10 | 1 | griffino | chaining feed dog | petite griffe | | |
| 7 | 203540-0-10 | 1 | griffa sussidiaria | subsidiary feed dog | griffe subsidiaire | | |
| 8 | 203533-0-10 | 1 | griffa principale | main feed dog | griffe principale | | |
| 9 | 200662-0-10 | 1 | carterino coltello sup. | upper knife cover | carter couteau supérieur | | |
| 10 | 202143-0-10 | 2 | coltello superiore | upper knife | couteau supérieur | | |
| 11 | 202146-0-10 | 2 | coltello inferiore | lower knife | couteau inférieur | | |
| 12 | 206771-0-11 | 1 | squadretta fermo pedino | bracket | équerre | | |
| 13 | 741658-2-00 | 1 | vite | screw | vis | | |
| 14 | 741675-2-00 | 1 | vite | screw | vis | | |
| 15 | 203772-0-11 | 1 | staffa | bracket | bride | | |
| 16 | 203569-0-11 | 1 | linguetta | tongue | languette | | |
| | | | SOLO A RICHIESTA | ONLY ON REQUEST | SEULEMENT SUR DEMANDE | | |
| 3 | 206208-0-10 | 1 | crochet superiore | upper looper | crochet supérieur | | |
| 4 | 202094-0-11 | 1 | crochet inferiore | lower looper | crochet inférieur | | |
| 5 | 203695-0-10 | 1 | placca ago larg. costa 7 mm | needle plate width bight 7 mm | plaque à aiguille larg. surjet 7 mm | | |
| 10 | 202142-0-10 | 1 | coltello superiore | upper knife | couteau supérieur | | |

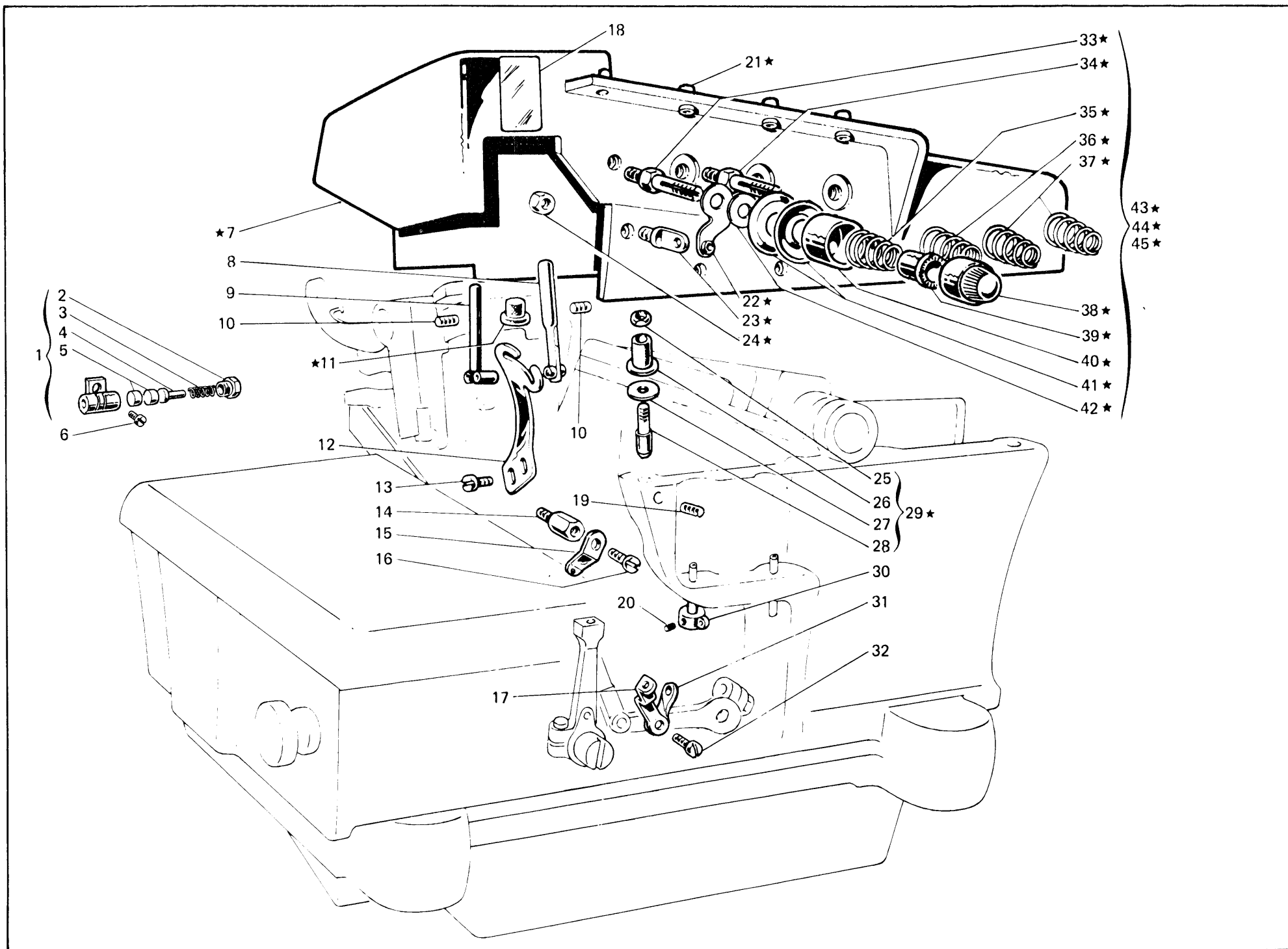
| Fig. N. Abb. N. | Part. N. Bestell N. Piece N. Pieza N. | Qt. Anzahl | DESCRIZIONE | DESCRIPTION | DESCRIPTION | BENENNUNG | DESCRIPCION |
|--------------------|--|---------------|-------------------------------|--------------------------------|--------------------------------|-----------|-------------|
| | <u>Tav. 5</u> | | | | | | |
| ▲ | 207498-4-00 | 1 | albero princ. con cuscinetti | main shaft | arbre principale | | |
| 8 | 206700-2-01 | 1 | albero principale | main shaft | arbre principale | | |
| | <u>Tav. 7</u> | | | | | | |
| ★ | 206391-4-00 | 1 | gruppo manicotti com. crochet | control looper assembly | groupe manchon crochet | | |
| 1 | 206452-4-00 | 1 | gruppo manicotto con biella | coupling with con-rod assembly | groupe manchon avec bielle | | |
| 6 | 206658-2-02 | 1 | manicotto | coupling | manchon | | |
| 8 | 704848-0-00 | 1 | rondella | washer | rondelle | | |
| 11 | 206451-4-00 | 1 | gruppo manicotto con biella | coupling with con-rod assembly | groupe manchon avec bielle | | |
| 12 | 206649-2-02 | 1 | manicotto | coupling | manchon | | |
| 13 | 704847-0-00 | 1 | rondella | washer | rondelle | | |
| | <u>Tav. 9</u> | | | | | | |
| ▲ | 207512-4-00 | 1 | morsetto porta aghi compl. | needles clamp assembly | porte-aiguilles complet | | |
| 28 | 745810-2-00 | 2 | vite | screw | vis | | |
| 37 | 207522-2-00 | 1 | morsetto porta aghi | needles clamp | porte-aiguilles | | |
| 39 | 207542-0-00 | 1 | guidafilo | thread guide | guide-fil | | |
| 40 | 765200-6-90 | 2 | ago sist. Rim 27 fin. 90 | needle syst. Rim 27 size 90 | aiguille syst. Rim 27 jauge 90 | | |
| 41 | 206541-2-00 | 1 | manovella alb. sup. con vite | con-rod with screw | bras arbre sup. avec vis | | |
| | <u>Tav. 10</u> | | | | | | |
| ◆ | 206447-4-10 | 1 | gruppo supporto premistoffa | support assembly | groupe support | | |
| 37 | 205021-0-10 | 1 | molla | spring | ressort | | |
| | <u>Tav. 4</u> | | ANNULLATA | CANCELLED | ANNULEE | | |

VARIANTE PER

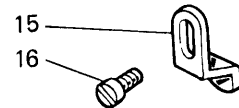
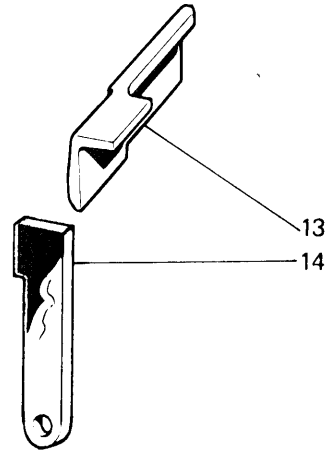
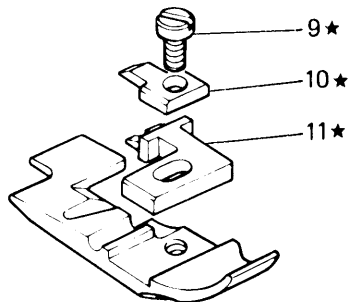
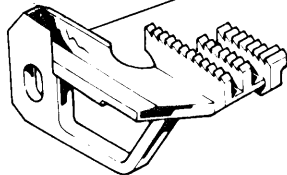
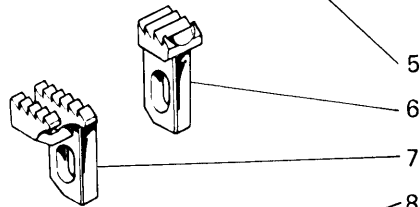
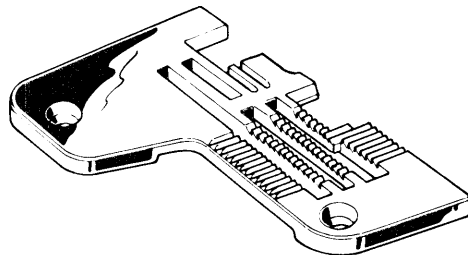
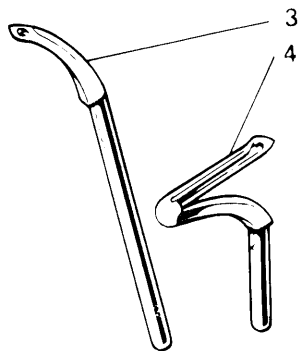
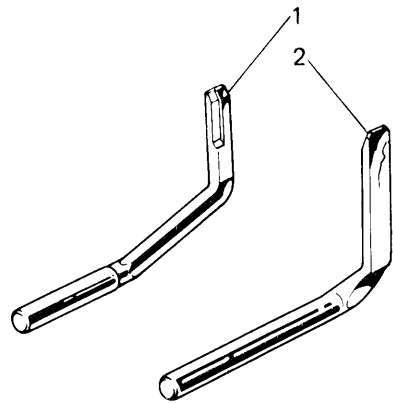
VARIATION FOR

VARIANTE POUR

127-00-2MD-20



| Fig. N. Abb. N. | Part. N. Bestell N. Piece N. Pieza N. | Qt. Anzahl | DESCRIZIONE | DESCRIPTION | DESCRIPTION | BENENNUNG | DESCRIPCION |
|--------------------|--|---------------|-----------------------------------|----------------------------------|-------------------------------------|-----------|-------------|
| ★ | 207771-4-00 | 1 | coperchio sup. completo | upper cover assembly | couvercle supérieur compl. | | |
| 1 | 207551-4-00 | 1 | pressafilo completo | thread presser | presse-fil | | |
| 2 | 202260-0-10 | 1 | tappo | plug | bouchon | | |
| 3 | 202257-0-10 | 1 | molla | spring | ressort | | |
| 4 | 202258-0-10 | 1 | pernetto | pin | pivot | | |
| 5 | 203635-0-10 | 2 | pastiglia | plug | bouchon | | |
| 6 | 207562-0-00 | 1 | vite | screw | vis | | |
| 7 | 207765-3-00 | 1 | coperchio con passafili | cover with thread guide | couvercle avec passe-fil | | |
| 8 | 206714-2-12 | 1 | passafilo | thread guide | passe-fil | | |
| 9 | 203647-2-12 | 1 | passafilo dell'ago | needle thread guide | passe-fil de l'aiguille | | |
| 10 | 729011-2-00 | 2 | vite | screw | vis | | |
| 11 | 206746-0-00 | 2 | tampone | pad | tampon | | |
| 12 | 206535-0-00 | 1 | tendifilo ago | needle thread take-up | tendeur du fil aiguille | | |
| 13 | 741539-0-00 | 2 | vite | screw | vis | | |
| 14 | 206755-0-00 | 1 | colonnina per passafilo | threaded tube | tube pour passe-fil | | |
| 15 | 204035-0-10 | 1 | passafilo crochet sup. | thread guide for upper looper | passe-fil crochet sup. | | |
| 16 | 744631-2-00 | 1 | vite | screw | vis | | |
| 17 | 202279-0-10 | 1 | tendifilo | thread take-up | tendeur du fil | | |
| 18 | 788001-0-01 | 1 | decalcomania sist. aghi | needles syst. decalcomania | décalcomanie syst. aiguilles | | |
| 19 | 745803-2-00 | 3 | vite | screw | vis | | |
| 20 | 745002-0-00 | 1 | vite | screw | vis | | |
| 21 | 202271-0-11 | 4 | passafilo | thread guide | passe-fil | | |
| 22 | 206713-2-00 | 1 | passafilo | thread guide | passe-fil | | |
| 23 | 206711-0-00 | 3 | passafilo | thread guide | passe-fil | | |
| 24 | 733503-0-00 | 3 | dado | nut | écrou | | |
| 25 | 207123-0-00 | 3 | dado | nut | écrou | | |
| 26 | 207122-0-00 | 3 | bussola in gomma | bush | bague | | |
| 27 | 704207-2-00 | 3 | rondella | washer | rondelle | | |
| 28 | 207120-0-00 | 3 | spina | pin | goupille | | |
| 29 | 207124-4-00 | 3 | spina per coperchio compl. | pin for cover assembly | goupille pour couvercle comp. | | |
| 30 | 203135-2-10 | 1 | passafilo con vite | thread guide with screw | passe-fil avec vis | | |
| 31 | 202281-0-10 | 1 | tendifilo | thread take-up | tendeur du fil | | |
| 32 | 741657-2-00 | 1 | vite | screw | vis | | |
| 33 | 202225-0-11 | 1 | perno | pin | pivot | | |
| 34 | 206747-0-01 | 3 | perno | pin | pivot | | |
| 35 | 202227-0-10 | 1 | molla per tensione fig. 45 | spring for tension fig. 45 | ressort pour tension fig. 45 | | |
| 36 | 202228-0-10 | 1 | molla per tensione fig. 43 | spring for tension fig. 43 | ressort pour tension fig. 43 | | |
| 37 | 202681-0-10 | 2 | molla per tensione fig. 44 | spring for tension fig. 44 | ressort pour tension fig. 44 | | |
| 38 | 202558-2-00 | 4 | pomolo | knob | pommeau | | |
| 39 | 202229-0-10 | 4 | bussola | bush | bague | | |
| 40 | 202556-0-00 | 4 | scodellino | cup | cuvette | | |
| 41 | 300218-0-10 | 8 | disco tensione | tension disc | disque tension | | |
| 42 | 206754-0-00 | 4 | rondella | washer | rondelle | | |
| 43 | 206342-4-00 | 1 | tensione compl. con molla fig. 36 | tension ass. with spring fig. 36 | tension compl. avec ressort fig. 36 | | |
| 44 | 206343-4-00 | 2 | tensione compl. con molla fig. 37 | tension ass. with spring fig. 37 | tension compl. avec ressort fig. 37 | | |
| 45 | 206346-4-00 | 1 | tensione compl. con molla fig. 35 | tension ass. with spring fig. 35 | tension compl. avec ressort fig. 35 | | |



| Fig. N. Abb. N. | Part. N. Bestell N. Piece N. Pieza N. | Qt. Anzahl | DESCRIZIONE | DESCRIPTION | DESCRIPTION | BENENNUNG | DESCRIPCION |
|--------------------|--|---------------|-------------------------------|---------------------------------|---------------------------------------|-----------|-------------|
| ★ | 204037-3-11 | 1 | pedino completo | presserfoot assembly | pied-presseur complet | | |
| 1 | 204025-0-12 | 1 | salva ago | rear needle bar | protège-aiguille | | |
| 2 | 204024-0-11 | 1 | spingi asola | front needle guard | pare-boucle | | |
| 3 | 204022-0-10 | 1 | crochet superiore | upper looper | crochet supérieur | | |
| 4 | 202095-0-11 | 1 | crochet inferiore | lower looper | crochet inférieur | | |
| 5 | 204026-0-10 | 1 | placca ago larg. costa 7 mm | needle plate width bight 7 mm | plaque à aiguille larg. surjet 7 mm | | |
| 6 | 203612-0-10 | 1 | griffino | chaining feed dog | petite griffe | | |
| 7 | 203609-0-10 | 1 | griffa sussidiaria | subsidiary feed dog | griffe subsidiaire | | |
| 8 | 206298-0-00 | 1 | griffa principale | main feed dog | griffe principale | | |
| 9 | 741675-2-00 | 1 | vite | screw | vis | | |
| 10 | 203772-0-11 | 1 | staffa | bracket | bride | | |
| 11 | 203569-0-11 | 1 | linguetta | tongue | languette | | |
| 12 | 200662-0-10 | 1 | carterino | cover | carter | | |
| 13 | 203759-0-10 | 2 | coltello superiore | upper knife | couteau supérieur | | |
| 14 | 203012-0-10 | 2 | coltello inferiore | lower knife | couteau inférieur | | |
| 15 | 206771-0-11 | 1 | squadretta fermo pedino | presserfoot bracket | équerre fixation pied-presseur | | |
| 16 | 741658-2-00 | 1 | vite | screw | vis | | |
| | | | SOLO A RICHIESTA | ONLY ON REQUEST | SEULEMENT SUR DEMANDE | | |
| 3 | 203490-0-00 | 1 | crochet superiore | upper looper | crochet supérieur | | |
| 4 | 202094-0-11 | 1 | crochet inferiore | lower looper | crochet inférieur | | |
| 5 | 203578-0-10 | 1 | placca ago larg. costa 5,5 mm | needle plate width bight 5,5 mm | plaque à aiguille larg. surjet 5,5 mm | | |
| 7 | 203540-0-10 | 1 | griffa sussidiaria | subsidiary feed dog | griffe subsidiaire | | |
| 8 | 203651-0-11 | 1 | griffa principale | main feed dog | griffe principale | | |
| 13 | 203783-0-10 | 1 | coltello superiore | upper knife | couteau supérieur | | |

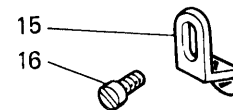
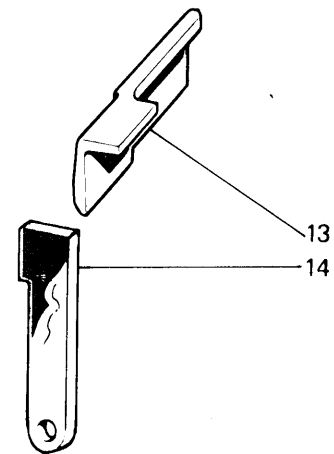
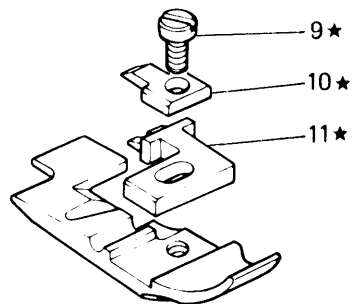
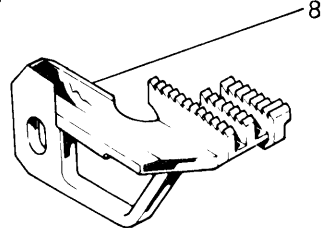
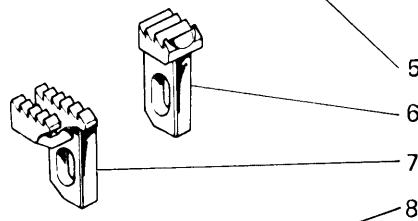
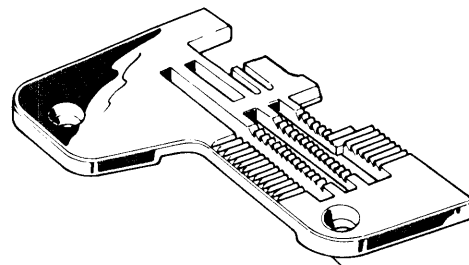
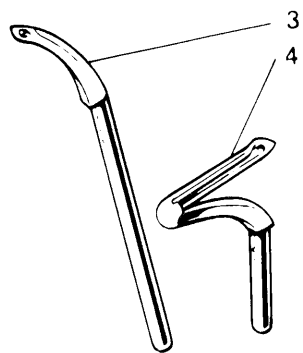
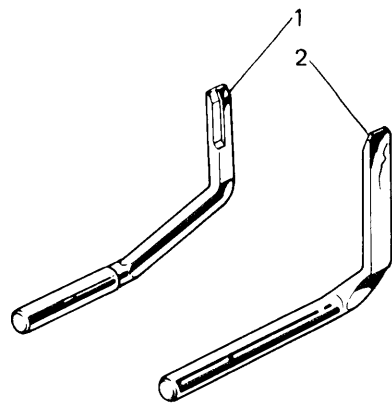
| Fig. N. Abb. N. | Part. N. Bestell N. Piece N. Pieza N. | Qt. Anzahl | DESCRIZIONE | DESCRIPTION | DESCRIPTION | BENENNUNG | DESCRIPCION |
|--------------------|--|---------------|--------------------------------|------------------------------|---------------------------------|-----------|-------------|
| | <u>Tav. 5</u> | | | | | | |
| ▲ | 207498-4-00 | 1 | albero princ. con cuscinetti | main shaft | arbre princ. avec roulements | | |
| 8 | 206700-2-01 | 1 | albero principale | main shaft | arbre principale | | |
| | <u>Tav. 7</u> | | | | | | |
| ★ | 206394-4-00 | 1 | gruppo manicotti com. crochet | control looper assembly | groupe manchon comm. crochet | | |
| ▲ | 206418-4-00 | 1 | gruppo com. crochet super. | upper looper control | groupe comm. crochet supérieur | | |
| 1 | 206452-4-00 | 1 | gruppo manicotto con biella | coupling ass. with con-rod | groupe manchon avec bielle | | |
| 6 | 206658-2-02 | 1 | manicotto | coupling | manchon | | |
| 8 | 704848-0-00 | 1 | rondella | washer | rondelle | | |
| 11 | 206450-4-00 | 1 | gruppo manicotto con biella | coupling ass. with con-rod | groupe manchon avec bielle | | |
| 12 | 206648-2-02 | 1 | manicotto | coupling | manchon | | |
| 13 | 704840-0-00 | 1 | rondella | washer | rondelle | | |
| 21 | 206412-3-00 | 1 | guida oscillante | oscillating guide | guide oscillant | | |
| 29 | 206653-2-00 | 1 | braccio | arm | bras | | |
| | <u>Tav. 9</u> | | | | | | |
| ▲ | 207512-4-00 | 1 | morsetto porta aghi compl. | needles clamp assembly | porte-aiguilles complet | | |
| 28 | 745810-2-00 | 2 | vite | screw | vis | | |
| 37 | 207522-2-00 | 1 | morsetto porta aghi | needles clamp | porte-aiguilles | | |
| 39 | 207542-0-00 | 1 | guidafilo | thread guide | guide-fil | | |
| 40 | 765200-6-10 | 2 | ago sist. Rim 27 fin. 100 | needle syst. Rim 27 size 100 | aiguille syst. Rim 27 jauge 100 | | |
| 41 | 206542-2-00 | 1 | manovella albero sup. con vite | con-rod with screw | bras arbre sup. avec vis | | |
| | <u>Tav. 10</u> | | | | | | |
| ◆ | 206447-4-10 | 1 | gruppo supporto premistoffa | presser support assembly | groupe support pied-presseur | | |
| 37 | 205021-0-10 | 1 | molla | spring | ressort | | |
| | <u>Tav. 11</u> | | | | | | |
| 16 | 206575-2-00 | 1 | manov. albero coltello sup. | crank for upper knife shaft | manivelle arbre couteau sup. | | |
| | <u>Tav. 4</u> | | ANNULLATA | CANCELLED | ANNULEE | | |

VARIANTE PER

VARIATION FOR

VARIANTE POUR

127-00-2MD-21



| Fig. N. Abb. N. | Part. N. Bestell N. Pieza N. | Qt. Anzahl | DESCRIZIONE | DESCRIPTION | DESCRIPTION | BENENNUNG | DESCRIPCION |
|--------------------|------------------------------------|---------------|-----------------------------|-------------------------------|-------------------------------------|-----------|-------------|
| ★ | 204037-3-11 | 1 | piedino completo | presserfoot assembly | pied-presseur complet | | |
| 1 | 204025-0-12 | 1 | salva ago | rear needle guard | protège-aiguille | | |
| 2 | 204024-0-11 | 1 | spingi asola | front needle guard | pare-boucle | | |
| 3 | 206209-0-00 | 1 | crochet superiore | upper looper | crochet supérieur | | |
| 4 | 202095-0-11 | 1 | crochet inferiore | lower looper | crochet inférieur | | |
| 5 | 204026-0-10 | 1 | placca ago larg. costa 7 mm | needle plate width bight 7 mm | plaque à aiguille larg. surjet 7 mm | | |
| 6 | 203612-0-10 | 1 | griffino | chaining feed dog | petite griffe | | |
| 7 | 203609-0-10 | 1 | griffa sussidiaria | subsidiary feed dog | griffe subsidiaire | | |
| 8 | 206298-0-00 | 1 | griffa principale | main feed dog | griffe principale | | |
| 9 | 741675-2-00 | 1 | vite | screw | vis | | |
| 10 | 203772-0-11 | 1 | staffa | bracket | bride | | |
| 11 | 203569-0-11 | 1 | linguetta | tongue | languette | | |
| 12 | 200662-0-10 | 1 | carterino | cover | carter | | |
| 13 | 203759-0-10 | 2 | coltello superiore | upper knife | couteau supérieur | | |
| 14 | 203012-0-10 | 2 | coltello inferiore | lower knife | couteau inférieur | | |
| 15 | 206771-0-11 | 1 | squadretta fermo piedino | presserfoot bracket | équerre fixation pied-presseur | | |
| 16 | 741658-2-00 | 1 | vite | screw | vis | | |
| | | | SOLO A RICHIESTA | ONLY ON REQUEST | SEULEMENT SUR DEMANDE | | |
| 3 | 206208-0-00 | 1 | crochet superiore | upper looper | crochet supérieur | | |
| 4 | 202094-0-11 | 1 | crochet inferiore | lower looper | crochet inférieur | | |
| 7 | 203540-0-10 | 1 | griffa sussidiaria | subsidiary feed dog | griffe subsidiaire | | |
| 8 | 203651-0-11 | 1 | griffa principale | main feed dog | griffe principale | | |
| 13 | 203783-0-10 | 1 | coltello superiore | upper knife | couteau supérieur | | |

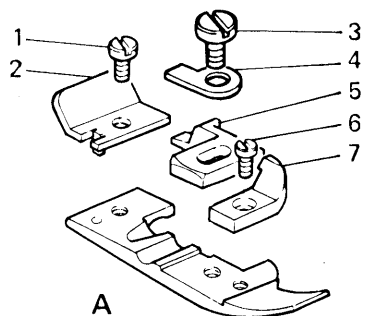
| Fig. N. Abb. N. | Part. N. Bestell N. Piece N. Pieza N. | Qt. Anzahl | DESCRIZIONE | DESCRIPTION | DESCRIPTION | BENENNUNG | DESCRIPCION |
|--------------------|--|---------------|-------------------------------|------------------------------|---------------------------------|-----------|-------------|
| | <u>Tav. 5</u> | | | | | | |
| ▲ | 207498-4-00 | 1 | albero princ. con cuscinetti | main shaft | arbre princ. avec roulements | | |
| 8 | 206700-2-01 | 1 | albero principale | main shaft | arbre principale | | |
| | <u>Tav. 7</u> | | | | | | |
| ★ | 206395-4-00 | 1 | gruppo manicotti com. crochet | control looper assembly | groupe manchon comm. crochet | | |
| ▲ | 206418-4-00 | 1 | gruppo com. crochet sup. | upper looper control | groupe comm. crochet supérieur | | |
| 1 | 206452-4-00 | 1 | gruppo manicotto con biella | coupling ass. with con-rod | groupe manchon avec bielle | | |
| 6 | 206658-2-02 | 1 | manicotto | coupling | manchon | | |
| 8 | 704848-0-00 | 1 | rondella | washer | rondelle | | |
| 11 | 206450-4-00 | 1 | gruppo manicotto con biella | coupling ass. with con-rod | groupe manchon avec bielle | | |
| 12 | 206648-2-02 | 1 | manicotto | coupling | manchon | | |
| 13 | 704847-0-00 | 1 | rondella | washer | rondelle | | |
| 21 | 206412-3-00 | 1 | guida oscillante | oscillating guide | guide oscillant | | |
| 29 | 206653-2-00 | 1 | braccio | arm | bras | | |
| | <u>Tav. 9</u> | | | | | | |
| ▲ | 207512-4-00 | 1 | morsetto porta aghi compl. | needles clamp assembly | porte-aiguilles complet | | |
| 28 | 745810-2-00 | 2 | vite | screw | vis | | |
| 37 | 207522-2-00 | 1 | morsetto porta aghi | needles clamp | porte-aiguilles | | |
| 39 | 207542-0-00 | 1 | guidafilo | thread guide | guide-fil | | |
| 40 | 765200-6-10 | 2 | ago sist. Rim 27 fin. 100 | needle syst. Rim 27 size 100 | aiguille syst. Rim 27 jauge 100 | | |
| 41 | 206542-2-00 | 1 | manovella alb. sup. con vite | con-rod with screw | bras arbre sup. avec vis | | |
| | <u>Tav. 10</u> | | | | | | |
| ● | 206447-4-10 | 1 | gruppo supporto premistoffa | presser support assembly | groupe support pied-presseur | | |
| 37 | 205021-0-10 | 1 | molla | spring | ressort | | |
| | <u>Tav. 11</u> | | | | | | |
| 16 | 206575-2-00 | 1 | manovella alb. colt. sup. | crank for upper knife shaft | manivelle arbre couteau sup. | | |
| | <u>Tav. 4</u> | | ANNULLATA | CANCELLED | ANNULEE | | |

PIEDINI A RICHIESTA
PRESSER FOOT ON REQUEST
FUESSCHEN AUF ANFRAGE
PIEDS-PRESSEURS SUR DEMANDE
PRENSATELAS BAJO PEDIDO

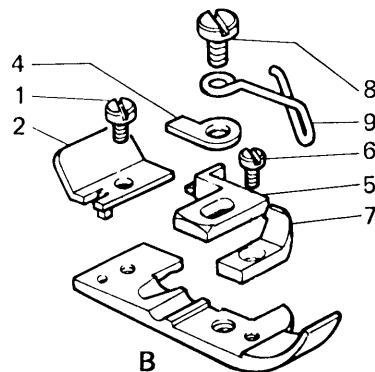
PER TESTE
FOR HEADS
POUR TÊTES
FÜR OBERTEILE
PARA CABEZAS

PIEDINI A RICHIESTA PRESSER FOOT ON REQUEST FUESSCHEN AUF ANFRAGE PIEDS PRESSEURS SUR DEMANDE PRENSATELAS BAJO PEDIDO

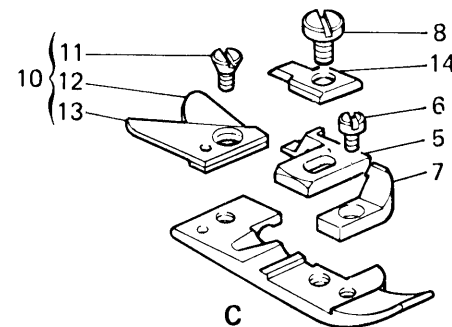
A
127-00-1CD-01
127-00-1CD-07



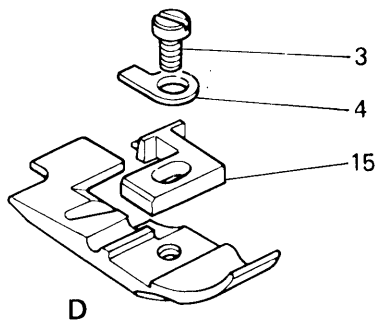
B
127-00-1CD-01
127-00-1CD-07



C
127-00-1CD-01
127-00-1CD-07



D
127-00-2CD-18



| Fig. N. Abb. N. | Part. N. Piec N. Bestell N. Pieza N. | Qt. Anzahl | DESCRIZIONE | DESCRIPTION | DESCRIPTION | BENENNUNG | DESCRIPCION |
|--------------------|---|---------------|------------------------|-----------------------|-----------------------|-----------|-------------|
| A | 202172-3-11 | 1 | piedino completo | presserfoot assembly | pied presseur complet | | |
| B | 202173-3-10 | 1 | piedino completo | presserfoot assembly | pied presseur complet | | |
| C | 202509-3-10 | 1 | piedino completo | presserfoot assembly | pied presseur complet | | |
| D | 204017-3-11 | 1 | piedino completo | presserfoot assembly | pied presseur complet | | |
| 1 | 741413-2-00 | 1 | vite | screw | vis | | |
| 2 | 202192-0-10 | 1 | piastrina | plate | plaquette | | |
| 3 | 741665-2-00 | 1 | vite | screw | vis | | |
| 4 | 202201-0-11 | 1 | staffa | bracket | bride | | |
| 5 | 202195-0-11 | 1 | linguetta | tongue | languette | | |
| 6 | 741431-2-00 | 1 | vite | screw | vis | | |
| 7 | 202184-0-11 | 1 | blocchetto | block | bloc | | |
| 8 | 741675-2-00 | 1 | vite | screw | vis | | |
| 9 | 202193-0-11 | 1 | guida | guide | guide | | |
| 10 | 202512-4-10 | 1 | dispositivo tagliafilo | thread-cutting device | dispositif coupe-fil | | |
| 11 | 744510-0-00 | 1 | vite | screw | vis | | |
| 12 | 202510-0-10 | 1 | lamina | sheet | plaquette | | |
| 13 | 202511-0-10 | 1 | piastrina | plate | plaquette | | |
| 14 | 203772-0-11 | 1 | staffa | bracket | bride | | |
| 15 | 204018-0-11 | 1 | linguetta | tongue | languette | | |

Rimoldi Necchi s.r.l.

Via Montebello, 33 - 20020 OLCELLA di Busto Garolfo (MI)
Tel. (0331) 563.111 - Telex 312243 - Telefax (0331) 563.564