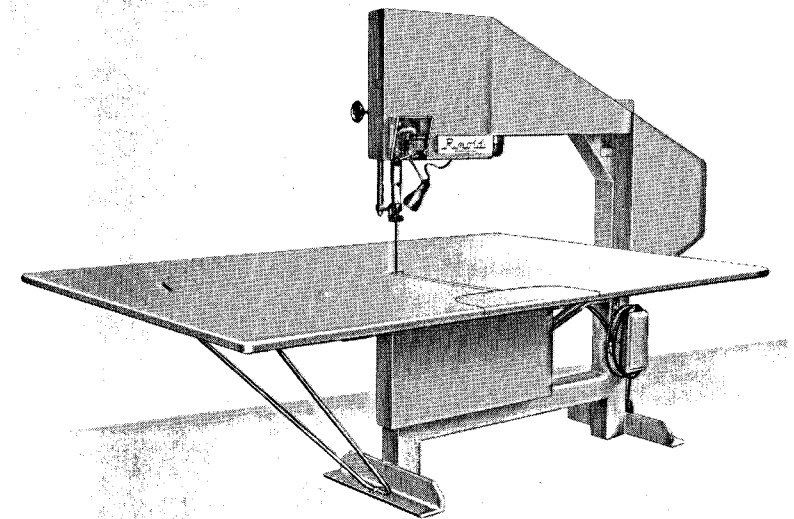


# Rimoldi

CATALOGO PEZZI DI RICAMBIO  
SPARE PARTS CATALOGUE  
CATALOGUE RECHANGES  
ERSATZTEILELISTE

**TAGLIERINA  
EFN 860**



**n. 183**

652891020

UFFICIO CATALOGHI 8/77

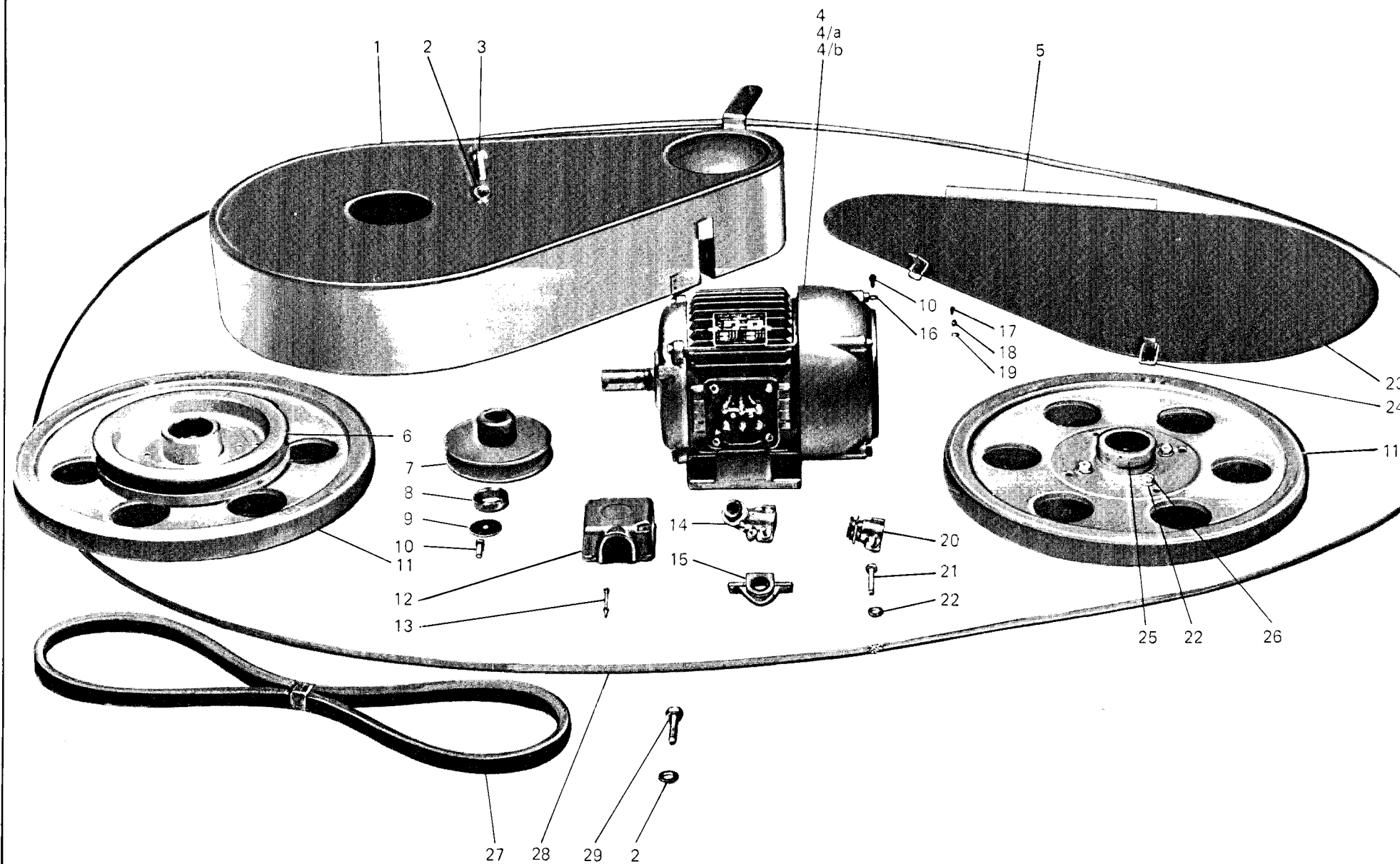


Fig. N. Abb. N.	Part. N. Piecce N. Bestell N. Pieza N.	Qt. Anzahl	DESCRIZIONE	DESCRIPTION	DESCRIPTION	BENENNUNG
1	RFN 05/074	1	riparo volano	flywheel protection	volant	
2	RFN 99/606	2	rondella	washer	rondelle	
3	RFN 99/047	2	vite	screw	vis	
4	RFN 16/027	1	motore HP 1,5 4 poli	motor	moteur	
5	RFN 05/077	1	cerniera	hinge	charnière	
6	RFN 05/005	1	puleggia volano	flywheel pulley	poulie volant	
7	RFN 05/004	1	puleggia motore	motor pulley	poulie moteur	
8	RFN 05/117	1	distanziale puleggia motore	spacer	entretoise	
9	RFN 05/068	1	rondella	washer	rondelle	
10	RFN 99/022	2	vite	screw	vis	
11	RFN 05/007	3	volano	flywheel	volant	
12	RFN 05/203	1	coperchio basetta motore	cover	couvercle	
13	RFN 99/847	2	vite	screw	vis	
14	RFN 05/205	1	bocchettone motore	motor cup	bouche moteur	
15	RFN 05/203/1	1	passafilo	thread guide	passe-fil	
16	RFN 99/604	1	rondella	washer	rondelle	
17	RFN 99/812	3	vite	screw	vis	
18	RFN 99/527	3	dado	nut	écrou	
19	RFN 99/602	5	rondella	washer	rondelle	
20	RFN 05/204	1	bocchettone	cup	bouche	
21	RFN 99/036	4	vite	screw	vis	
22	RFN 99/605	20	rondella	washer	rondelle	
23	RFN 05/075	1	coperchio	cover	couvercle	
24	RFN 05/076	3	chiusura a leva	clamp	bride	
25	RFN 05/006	3	mozzo volano	flywheel hub	poyeu volant	
26	RFN 99/034	16	vite	screw	vis	
27	RFN 16/034	1	cinghia B51	belt	courroie	
28	RFN 05/112	1	lama	lame	lame	
29	RFN 99/049	2	vite	screw	vis	
			<u>SOLO A RICHIESTA</u>	<u>ONLY ON REQUEST</u>	<u>SEULEMENT SUR DEMANDE</u>	
4a	RFN 16/029	1	motore 2 velocità	motor	moteur	
4b	RFN 16/028	1	motore 6 poli	motor	moteur	

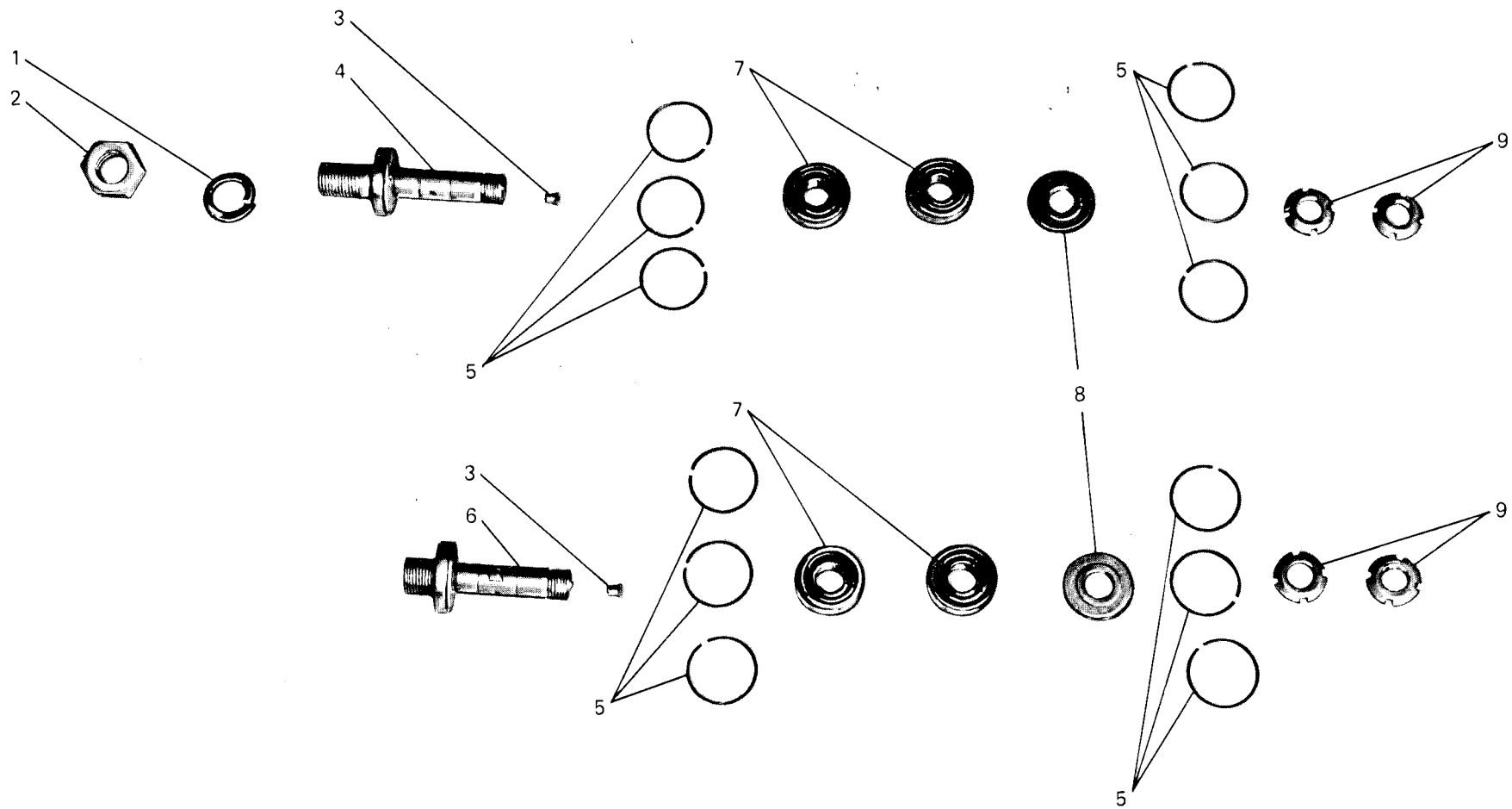


Fig. N. Abb. N.	Part. N. Piece N. Bestell N. Pieza N.	Qt. Anzahl	DESCRIZIONE	DESCRIPTION	DESCRIPTION	BENENNUNG
1	RFN 16/025	2	rondella elastica	spring washer	rondelle élastique	
2	RFN 16/024	2	dado	nut	écrou	
3	RFN 16/022	3	oliatore	olier	graisseur	
4	RFN 16/021	2	perno ruota fissa	pin	pivot	
5	RFN 16/023	18	anello FAY AS 47	ring	anneau	
6	RFN 16/020	1	perno ruota tendilama	pin	pivot	
7	RFN CS-30/204	6	cuscinetto	bearing	coussinet	
8	RFN 05/009	3	anello porta segmenti	ring	anneau	
9	RFN 05/010	6	ghiera di regolazione	ring nut	collier	

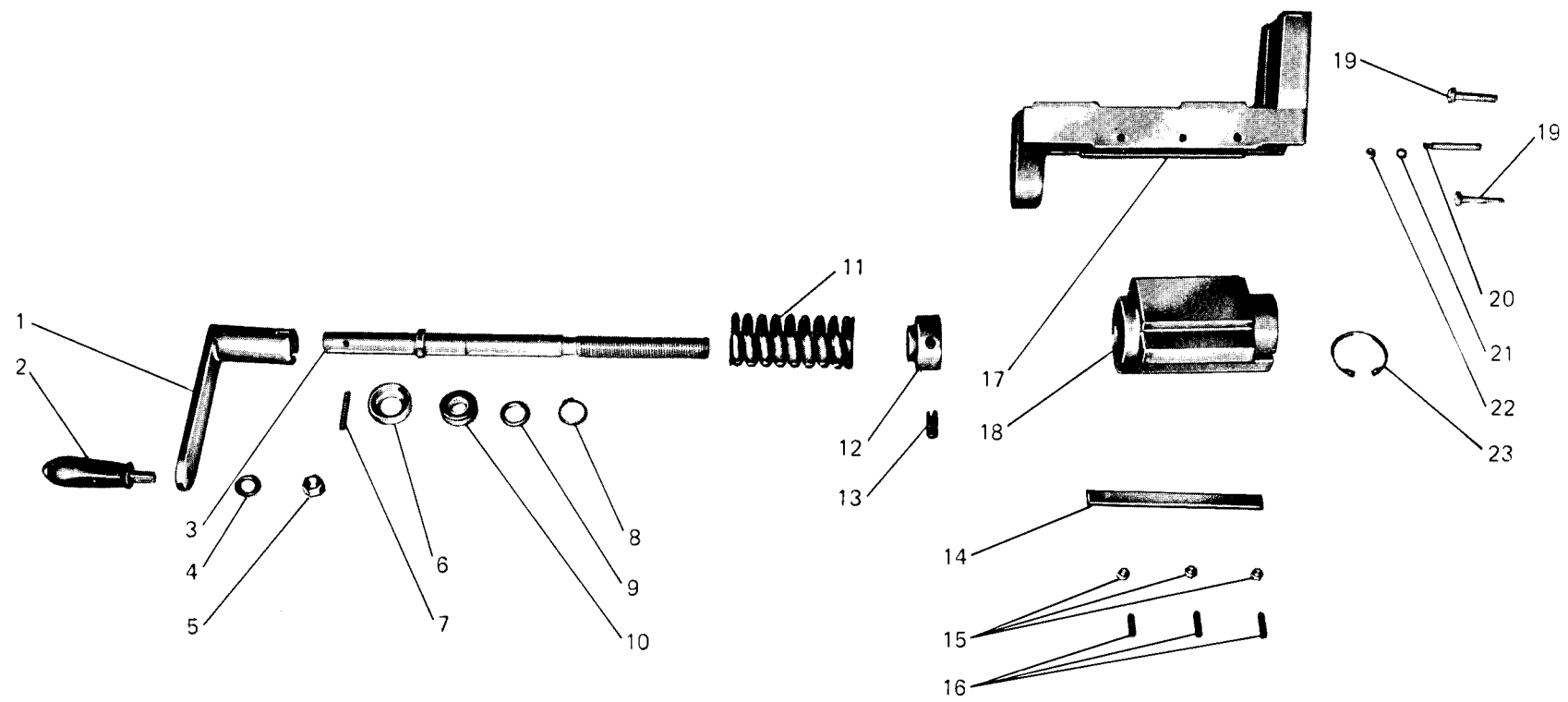


Fig. N. Abb. N.	Part. N. Piece N. Bestell N. Pieza N.	Qt. Anzahl	DESCRIZIONE	DESCRIPTION	DESCRIPTION	BENENNUNG
1	RFN 16/017	1	maniglia	lever	levier	
2	RFN 16/066	1	impugnatura	handgrip	poignée	
3	RFN 16/015	1	vite	screw	vis	
4	RFN 99/606	1	rondella	washer	rondelle	
5	RFN 99/531	1	dado	nut	écrou	
6	RFN 16/019	1	riparo cuscinetto	bearing protection	protection coussinet	
7	RFN 98/021	1	spina elastica	split pin	goupille réglable	
8	RFN 99/313	1	anello elastico	spring ring	anneau ressort	
9	RFN 16/055	1	distanziale	spacer	entretoise	
10	RFN CS-ELP 20	1	cuscinetto	bearing	coussinet	
11	RFN 16/016	1	molla	spring	ressort	
12	RFN 16/014	1	anello	ring	anneau	
13	RFN 16/018	1	spina elastica	split pin	goupille réglable	
14	RFN 16/013	1	lardone	gib	lardon	
15	RFN 99/529	3	dado	nut	écrou	
16	RFN 99/427/C	3	vite	screw	vis	
17	RFN 16/011	1	base carrello	base	base	
18	RFN 16/012	1	carrello	trolley	chariot	
19	RFN 99/039	4	vite	screw	vis	
20	RFN 99/934	2	spina conica	pin	goupille	
21	RFN 99/626	2	rondella elastica	spring washer	rondelle élastique	
22	RFN 99/529	2	dado	nut	écrou	
23	RFN 98/423	1	anello elastico	spring ring	anneau ressort	

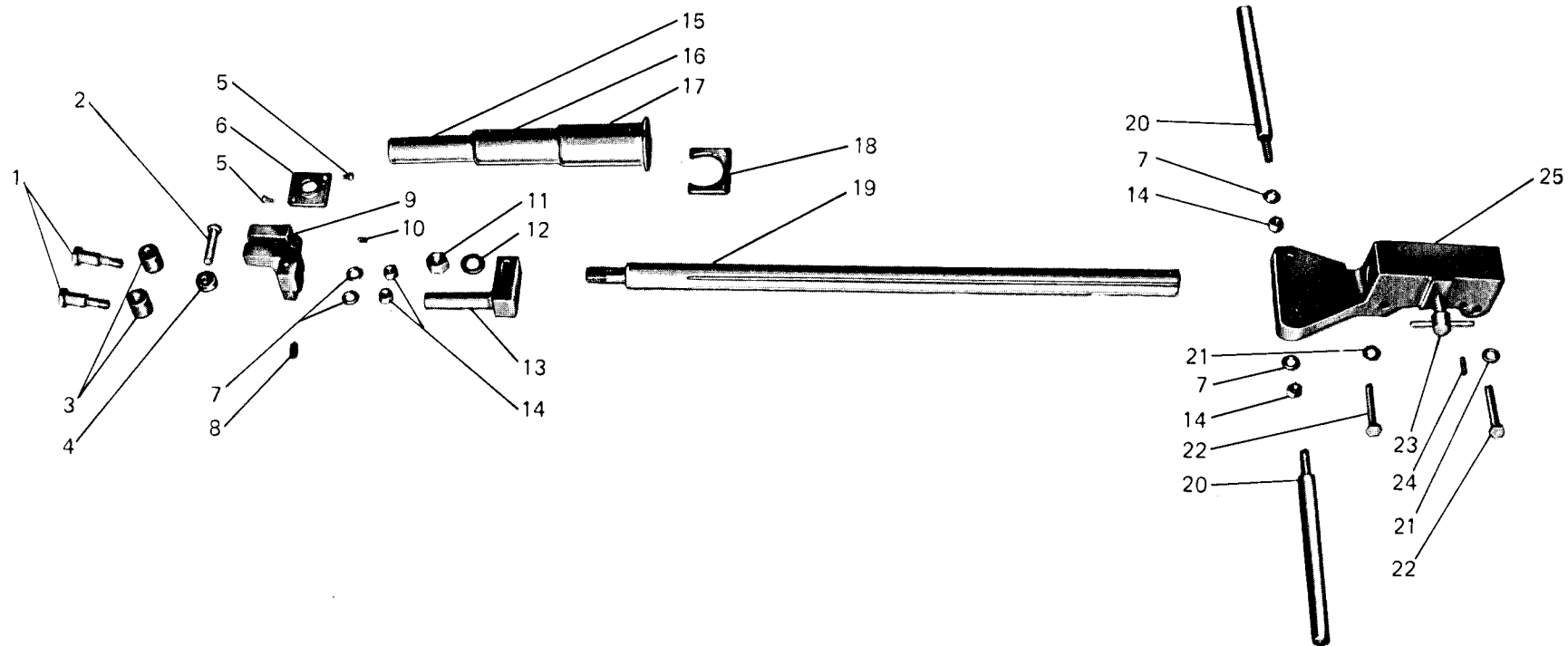




Fig. N. Abb. N.	Part. N. Piece N. Bestell N. Pieza N.	Qt. Anzahl	DESCRIZIONE	DESCRIPTION	DESCRIPTION	BENENNUNG
1	RFN 16/047	2	perno per boccia	pin	pivot	
2	RFN 16/049	1	perno cuscinetto	bearing pin	pivot coussinet	
3	RFN 16/048	2	boccia guida lama	bearing	coussinet	
4	RFN CS-608 ZZ	1	cuscinetto	bearing	coussinet	
5	RFN 99/812	2	vite	screw	vis	
6	RFN 16/050	1	piastrina inferiore	lower plate	plaque inférieur	
7	RFN 99/605	4	rondella	washer	rondelle	
8	RFN 99/432/A	1	vite	screw	vis	
9	RFN 16/045	1	supporto guida lama	support	support	
10	RFN 99/416/A	1	vite	screw	vis	
11	RFN 99/532	1	dado	nut	écrou	
12	RFN 99/607	1	rondella	washer	rondelle	
13	RFN 16/046	1	tassello centraggio	small block	tiroir	
14	RFN 99/530	4	dado	nut	écrou	
15	RFN 16/052	1	tubo piccolo	small tube	tube	
16	RFN 16/053	1	tubo medio	middle tube	tube	
17	RFN 16/054	1	tubo grande	size tube	tube	
18	RFN 16/051	1	piastrina superiore	upper plate	plaque supérieur	
19	RFN 05/031	1	asta guida lama	rod	tige	
20	RFN 16/056	2	perno	pin	pivot	
21	RFN 99/605	2	rondella	washer	rondelle	
22	RFN 99/130	2	vite	screw	vis	
23	RFN 05/032	1	pomello a croce	knob	pommeau	
24	RFN 99/427/C	1	vite	screw	vis	
25	RFN 16/041	1	supporto asta	rod support	support tige	

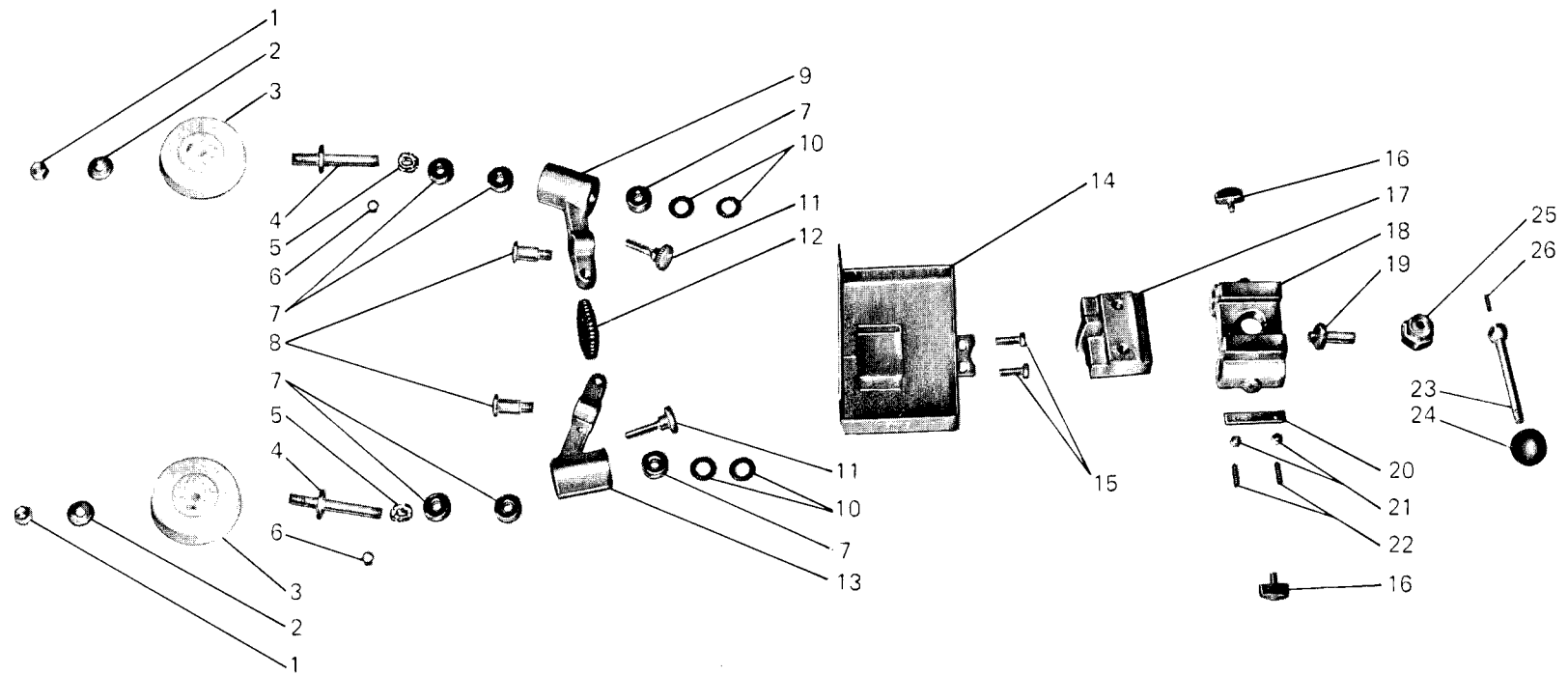


Fig. N. Abb. N.	Part. N. Piece N. Bestell N. Pieza N.	Qt. Anzahl	DESCRIZIONE	DESCRIPTION	DESCRIPTION	BENENNUNG
1	RFN 99/530	2	dado	nut	écrou	
2	RFN 05/050	2	rondella	washer	rondelle	
3	RFN 05/093	2	mola affilatrice	grinding wheel	meule	
4	RFN 05/048	2	perno	pin	pivot	
5	RFN 05/049	2	rondella	washer	rondelle	
6	RFN 98/304	2	anello elastico	spring ring	anneau ressort	
7	RFN CS/608 ZZ	6	cuscinetto	bearing	coussinet	
8	RFN 05/047	2	perno	pin	pivot	
9	RFN 05/045	1	supporto destro mola	right support	support droite	
10	RFN SCHKEL 8	4	molla a tazza	cup spring	ressort à tasse	
11	RFN 05/051	2	pomello	knob	pommeau	
12	RFN 05/085	1	molla a botte	spring	ressort	
13	RFN 05/046	1	supporto sinistro mola	left support	support gauche	
14	RFN 10/057	1	riparo	guard	protection	
15	RFN 99/011	2	vite	screw	vis	
16	RFN 16/060	2	farfalla	throttle valve	papillon	
17	RFN 05/039	1	carrello affilatore	trolley	chariot	
18	RFN 05/038	1	supporto fisso	immovable support	support fixe	
19	RFN 05/042	1	perno eccentrico	eccentric pin	pivot excentrique	
20	RFN 05/040	1	lardone	gib	lardon	
21	RFN 99/527	2	dado	nut	écrou	
22	RFN 99/419/C	2	vite	screw	vis	
23	RFN 16/058	1	leva comando affilatore	lever	levier	
24	RFN 16/059	1	pomello per leva	knob for lever	pommeau pour levier	
25	RFN 05/041	1	boccola	bearing	coussinet	
26	RFN 98/003	1	spina elastica	split pin	goupille réglable	

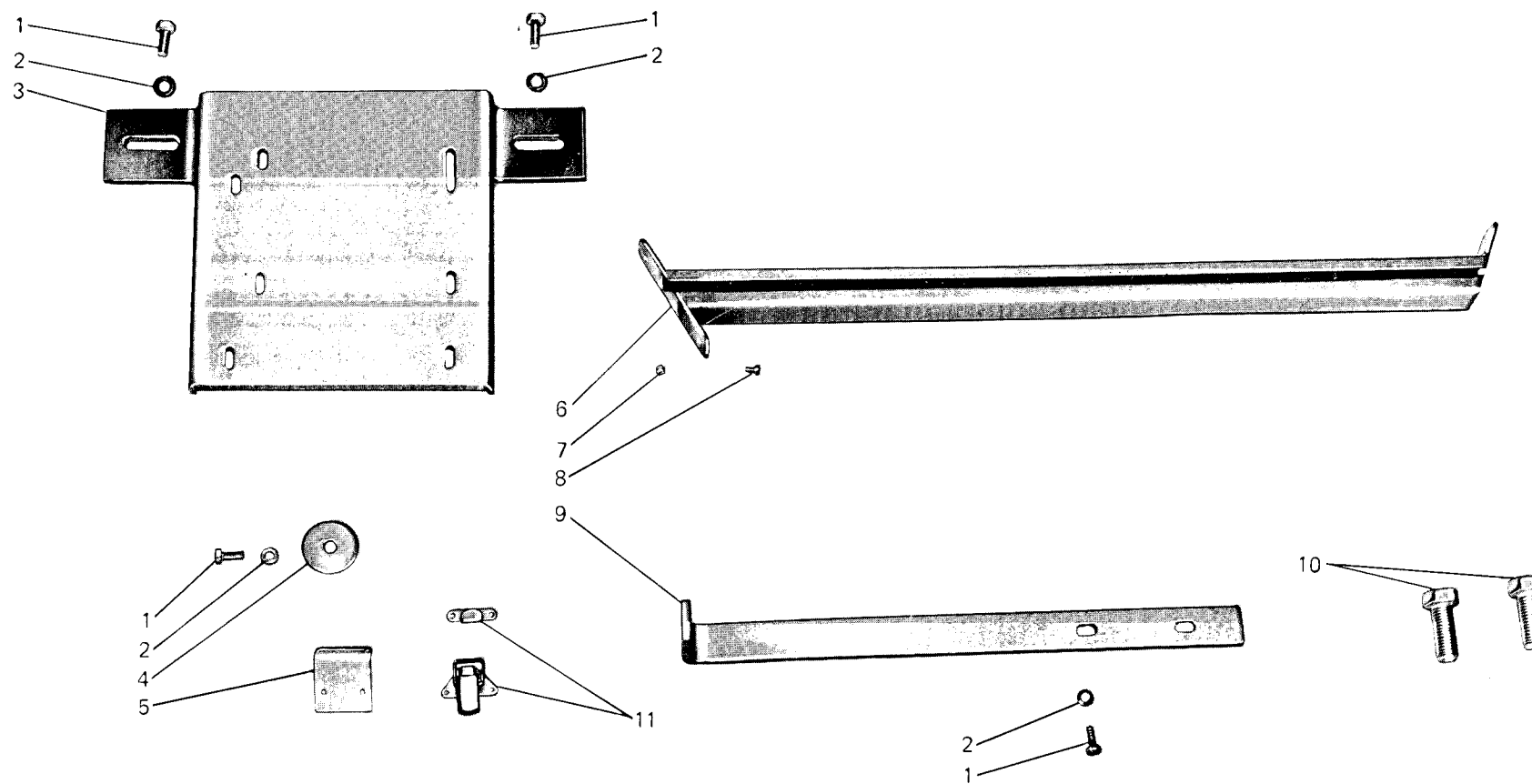


Fig. N. Abb. N.	Part. N. Piecce N. Bestell N. Pieza N.	Qt. Anzahl	DESCRIZIONE	DESCRIPTION	DESCRIPTION	BENENNUNG
1	RFN 99/034	8	vite	screw	vis	
2	RFN 99/605	8	rondella	washer	rondelle	
3	RFN 16/030	1	supporto motore	motor support	support moteur	
4	RFN 16/067	4	rondella	washer	rondelle	
5	RFN 16/065	4	lamiera imbocco riparo	sheet	plaque	
6	RFN 16/042	1	riparo inferiore lama	lower guard	protection inférieur plaque	
7	RFN 99/527	3	dado	nut	écrou	
8	RFN 99/813	3	vite	screw	vis	
9	RFN 16/043	1	rinforzo riparo	guard reinforcement	renforcement protection	
10	RFN 99/078	2	vite	screw	vis	
11	RFN 16/040	4	chiusura a leva	gripping	fermeture	

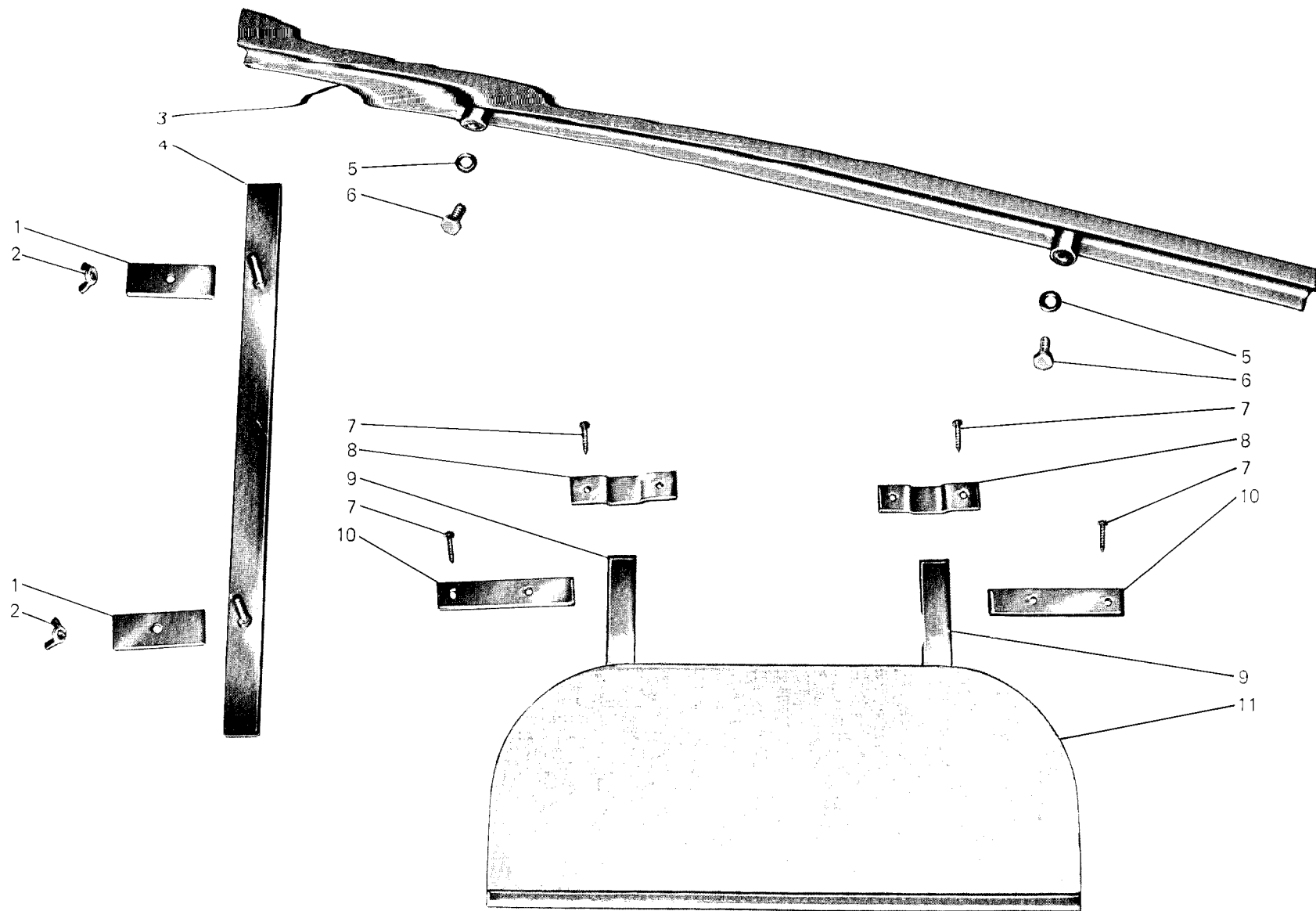


Fig. N. Abb. N.	Part. N. Piece N. Bestell N. Pieza N.	Qt. Anzahl	DESCRIZIONE	DESCRIPTION	DESCRIPTION	BENENNUNG
1	RFN 05/085	2	piastrina	plate	plaque	
2	RFN 99/578	2	dado galletto	nut	écrou	
3	RFN 05/062	2	traversa	tie	traverse	
4	RFN 05/084	1	piastra	plate	plaque	
5	RFN 99/606	4	rondella	washer	rondelle	
6	RFN 99/044	4	vite	screw	vis	
7	RFN 99/875	8	vite autofilettante	screw	vis	
8	RFN 05/063/1	2	supporto	support	support	
9	RFN 05/063/2	2	innesto tassello	support	support	
10	RFN 05/063/3	2	piastrina	plate	plaque	
11	RFN 05/061/A	1	tassello	small block	goujon	

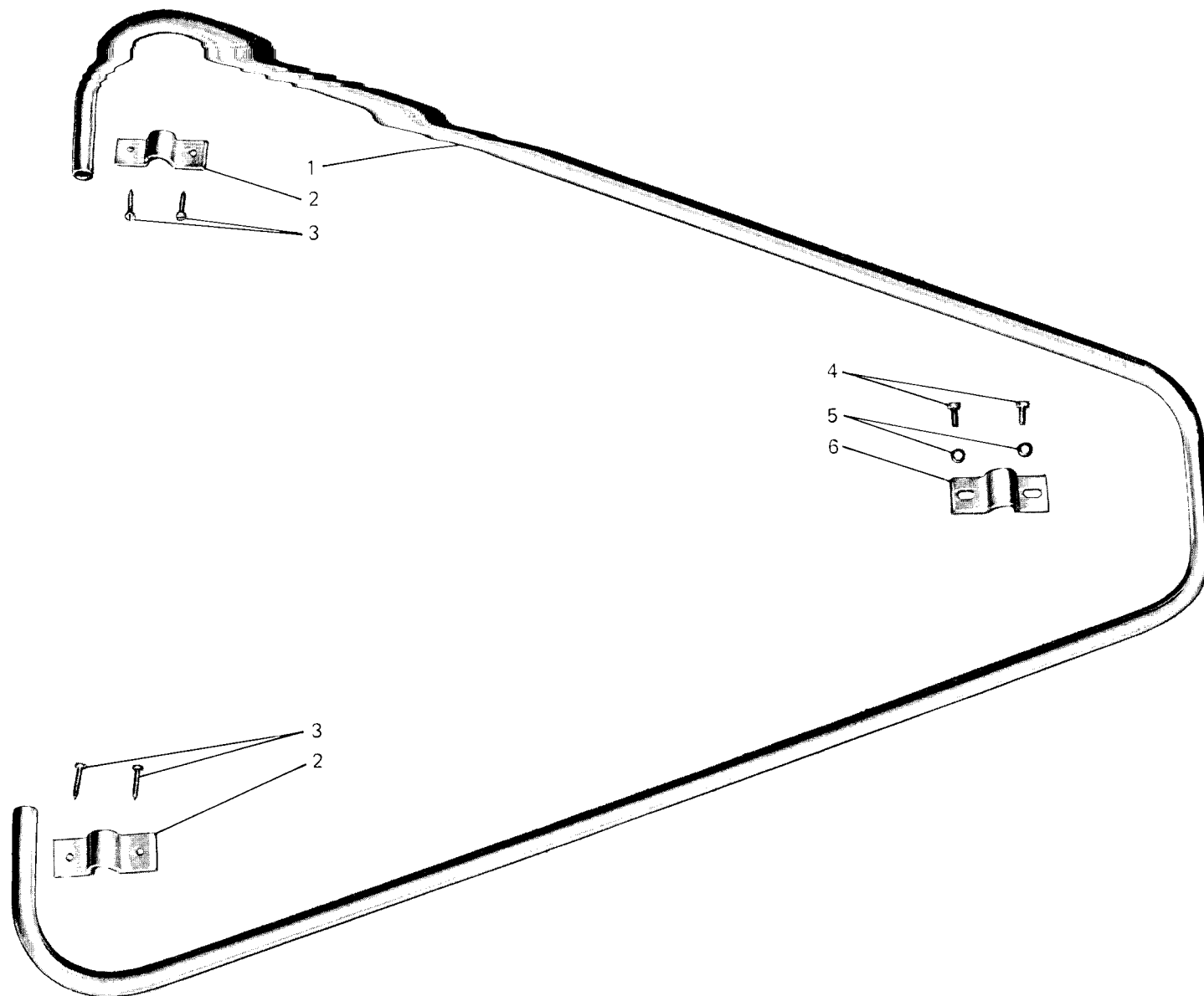




Fig. N. Abb. N.	Part. N. Piece N. Bestell N. Pieza N.	Qt. Anzahl	DESCRIZIONE	DESCRIPTION	DESCRIPTION	BENENNUNG
1	RFN 16/063	1	tubo sostegno	support tube	tube support	
2	RFN 16/062	2	cavallotto	coupling		
3	RFN 99/875	4	vite autofilettante	screw	cavalier	
4	RFN 99/022	2	vite	screw	vis	
5	RFN 99/604	2	rondella	washer	vis	
6	RFN 16/061	1	cavallotto	coupling	rondelle cavalier	

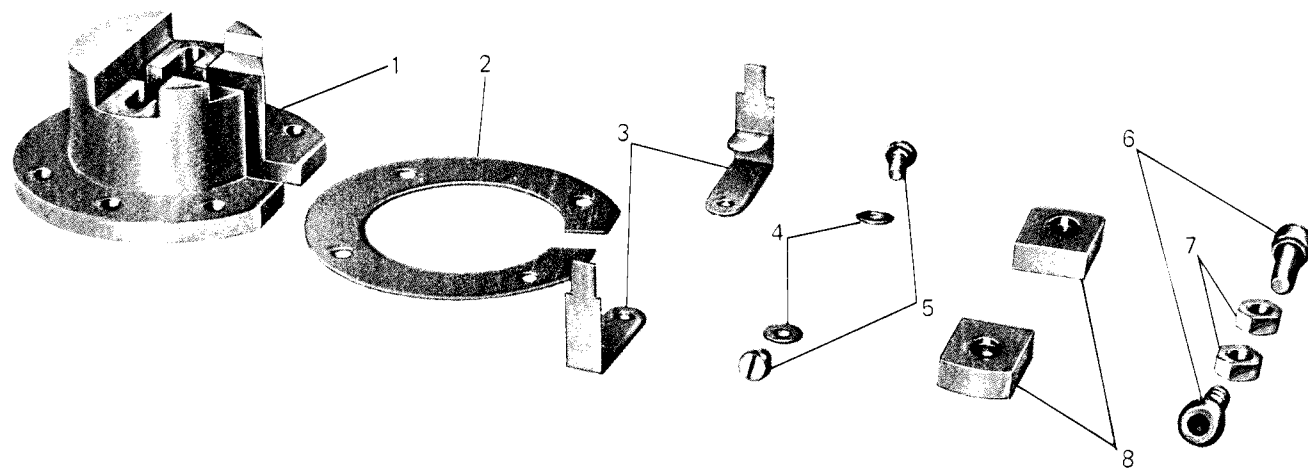


Fig. N. Abb. N.	Part. N. Piece N. Bestell N. Pieza N.	Qt. Anzahl	DESCRIZIONE	DESCRIPTION	DESCRIPTION	BENENNUNG
1	RFN 05/058	1	blocchetto guida lama	block	bloc	
2	RFN 05/094	1	guarnizione	gasket	garniture	
3	RFN 05/060	2	riparo	guard	protection	
4	RFN 99/602	2	rondella	washer	rondelle	
5	RFN 99/812	2	vite	screw	vis	
6	RFN 99/229	2	vite	screw	vis	
7	RFN 99/529	2	dado	nut	écrou	
8	RFN 05/059	2	piastrina guidalama	plate	plaque	

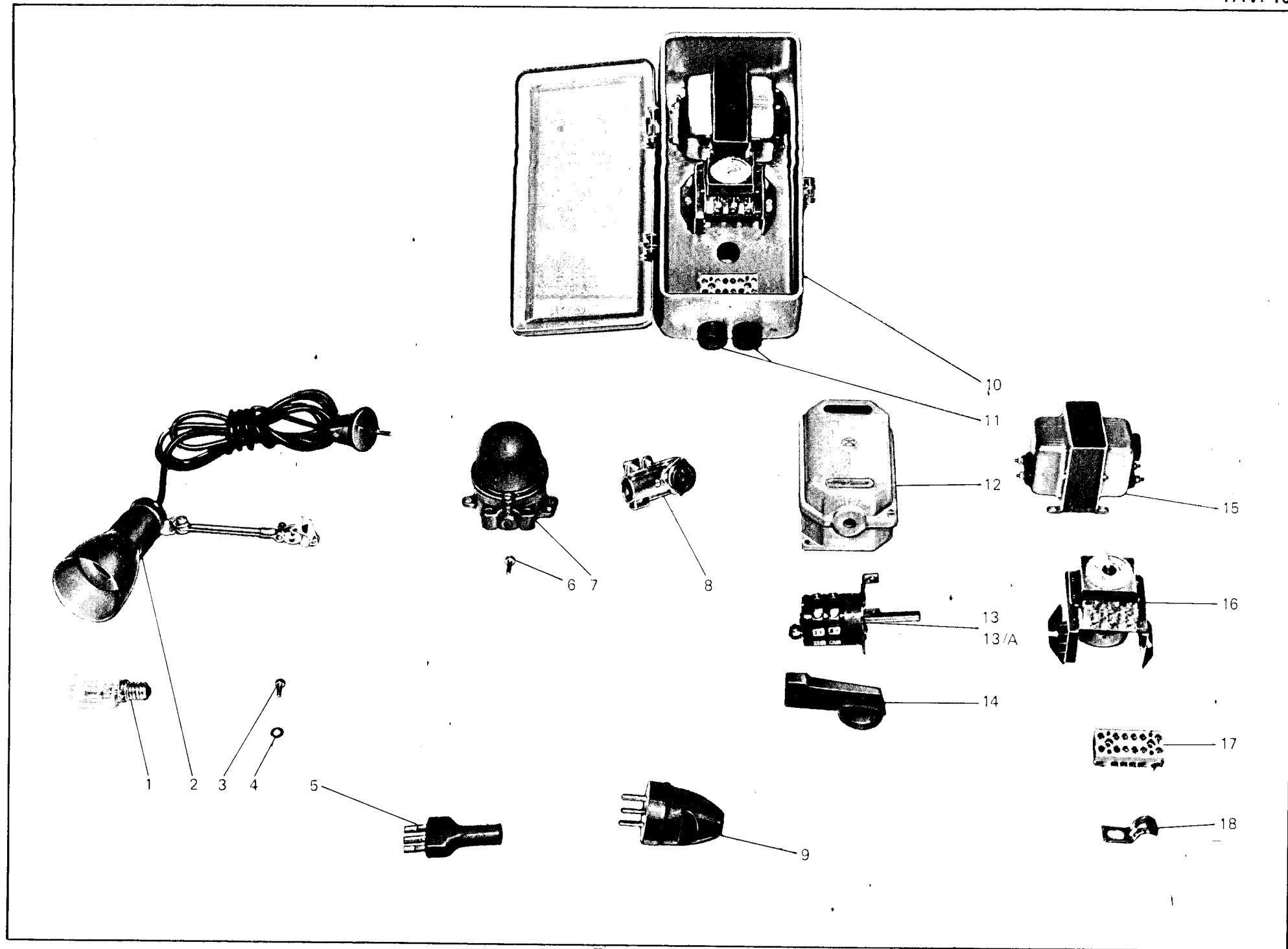


Fig. N. Abb. N.	Part. N. Piecce N. Bestell N. Pieza N.	Qt. Anzahl	DESCRIZIONE	DESCRIPTION	DESCRIPTION	BENENNUNG
1	RFN 05/216	1	lampadina	lamp	lampe	
2	RFN 05/215	1	portalampada	lamp holder	porte-lampe	
3	RFN 99/011	1	vite	screw	vis	
4	RFN 99/603	1	rondella	washer	rondelle	
5	RFN 05/219	1	spina bipolare	pin	goupille	
6	RFN 99/821	2	vite	screw	vis	
7	RFN 05/214	1	spia	window	voyant	
8	RFN 05/221	2	bocchettone	cup	bouche	
9	RFN 05/218	1	spina tripolare	pin	goupille	
10	RFN 05/206	1	cassetta elettrica	electrical box	boîte électrique	
11	RFN 05/220	2	passacavo	grommet	passe-câble	
12	RFN 05/213	1	cassetta interruttore	switch box	boîte interrupteur	
13	RFN 05/210	1	interruttore	switch	interrupteur	
13/A	RFN 05/211	1	commutatore	commutator	commutateur	
14	RFN 05/212	1	levetta interruttore	switch lever	levier interrupteur	
15	RFN 05/207	1	trasformatore	transformer	transformateur	
16	RFN 05/208	1	temporizzatore	timer	temporisateur	
17	RFN 05/209	1	morsettiera	junction box	plaque à bornes	
18	RFN 05/067	3	cavallotto	coupling	cavalier	

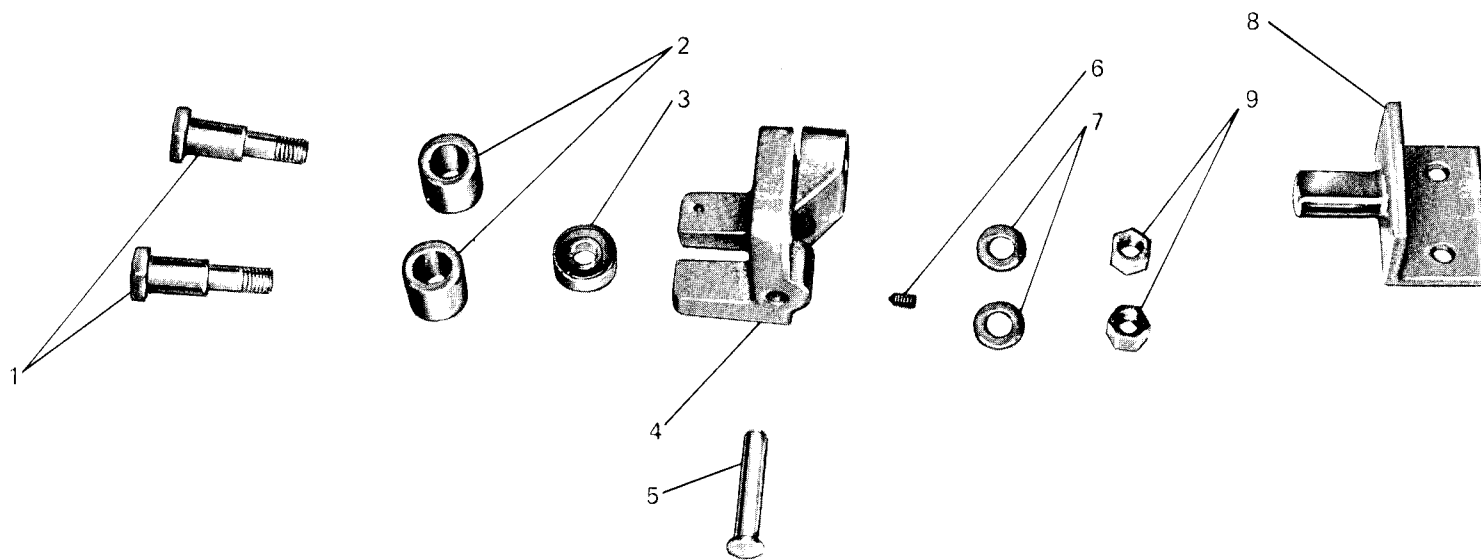


Fig. N. Abb. N.	Part. N. Piec. N. Bestell N. Pieza N.	Qt. Anzahl	DESCRIZIONE	DESCRIPTION	DESCRIPTION	BENENNUNG
			<u>SOLO A RICHIESTA</u>	<u>ONLY ON REQUEST</u>	<u>SEULEMENT SUR DEMANDE</u>	
1	RFN 16/047	2	perno	pin	pivot	
2	RFN 16/048	2	boccola	bearing	roulement	
3	RFN CS/608 ZZ	1	cuscinetto	bearing	roulement	
4	RFN 16/045	1	supporto	support	support	
5	RFN 16/049	1	perno	pin	pivot	
6	RFN 99/432/A	1	vite	screw	vis	
7	RFN 99/605	2	rondella	washer	rondelle	
8	RFN 16/064	1	supporto guida lama	support	support	
9	RFN 99/530	2	dado	nut	écrou	

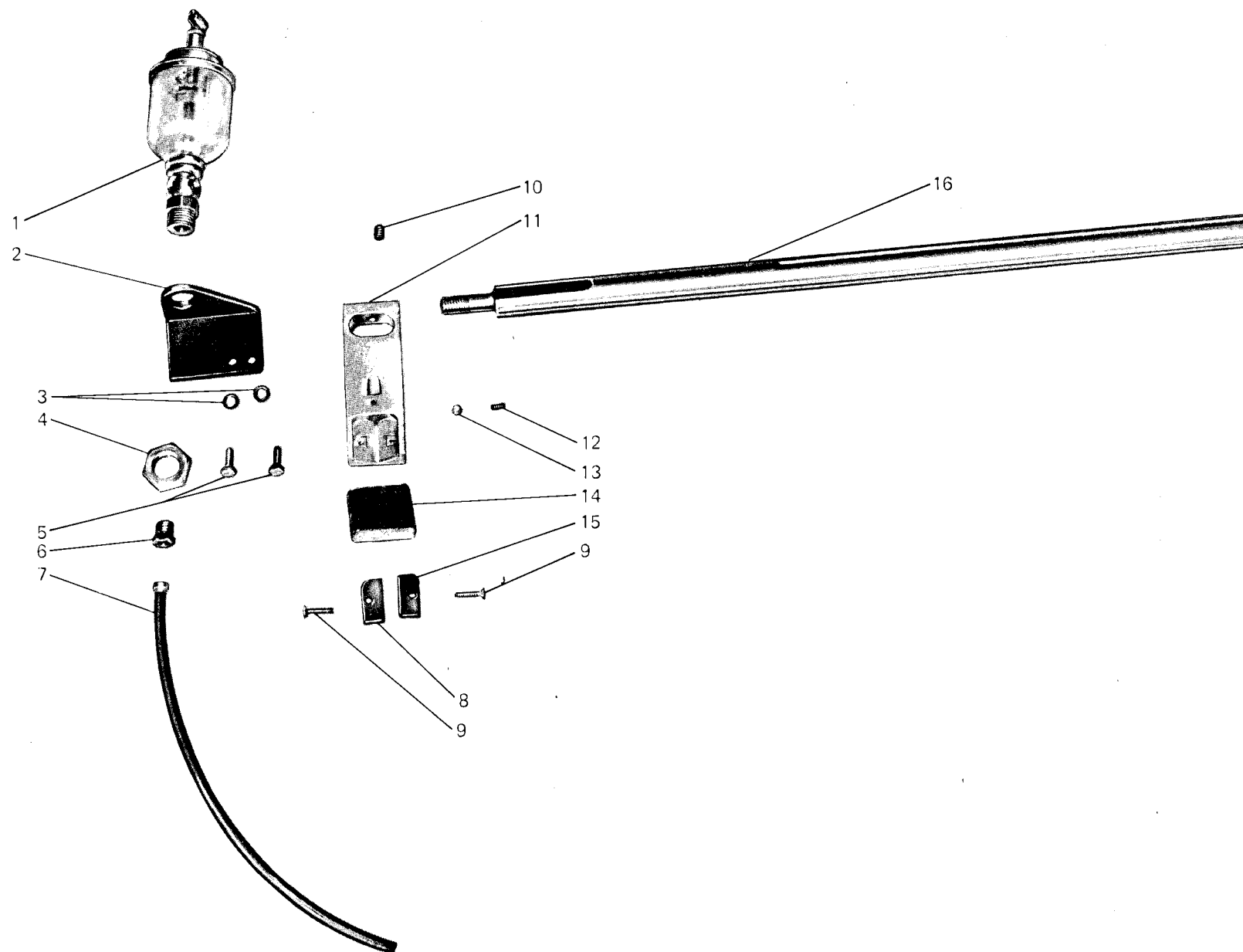




Fig. N. Abb. N.	Part. N. Piec. N. Bestell. N. Preza N.	Qt. Anzahl	DESCRIZIONE	DESCRIPTION	DESCRIPTION	BENENNUNG
			<u>SOLO A RICHIESTA</u>	<u>ONLY ON REQUEST</u>	<u>SEULEMENT SUR DEMANDE</u>	
1	RFN 16/074	1	serbatoio lubrificatore	lubrication reservoir	réservoir graisseur	
2	RFN 16/070	1	supporto lubrificatore	lubrication support	support graisseur	
3	RFN 99/604	2	rondella	washer	rondelle	
4	RFN 10/147	1	dado	nut	écrou	
5	RFN 99/022	2	vite	screw	vis	
6	RFN 16/077	1	raccordo	pipe connection	raccord	
7	RFN 16/076	1	tubetto lubrificatore	lubrication pipe	tube graisseur	
8	RFN 16/073	1	piastrina sinistra	left plate	plaque gauche	
9	RFN 99/711	2	vite	screw	vis	
10	RFN 99/431/A	1	vite	screw	vis	
11	RFN 16/071	1	corpo lubrificatore	lubrication body	corps graisseur	
12	RFN 99/416/A	1	vite	screw	vis	
13	RFN 99/528	1	dado	nut	écrou	
14	RFN 16/078	1	panno feltro	felt	feutre	
15	RFN 16/072	1	piastrina destra	right plate	plaque droite	
16	RFN 05/031/L	1	asta guida lama	rod	tige	

**Rimoldi Necchi s.r.l.** - Via Montebello, 33 - 20020 OLCELLA di Busto Garolfo (MI)  
Tel. (0331) 563.111 - Telex 312243 - Telefax (0331) 563.564