

Rimoldi

CATALOGO PEZZI DI RICAMBIO
SPARE PARTS CATALOGUE
CATALOGUE RECHANGES
ERSATZTEILELISTE

COMEZ

MA/FV800—MA/FV1000

n.182

652800610

UFFICIO CATALOGHI 7/77

Il presente Catalogo Pezzi di Ricambio é costituito dai particolari componenti le macchine MA/FV 800 - MA/FV 1000 e dai particolari componenti i dispositivi fornibili a richiesta.

Nella consultazione del Catalogo tenere presente che:

- 1 I particolari impiegati solo per la macchina MA/FV 800 sono contraddistinti dalla scritta (800) dopo la descrizione
- 2 I particolari impiegati solo per la macchina MA/FV 1000 sono contraddistinti dalla scritta (1000) dopo la descrizione
- 3 I particolari comuni non hanno alcun richiamo
- 4 Tutti i particolari non fornibili sciolti non vengono richiamati, ma soltanto illustrati nel gruppo di appartenenza
- 5 I riferimenti delle figure dei particolari che compongono un gruppo sono di norma raggruppati in una parentesi. In alcuni casi però, dove non é possibile il raggruppamento, i numeri che nelle tavole illustrative richiamano i singoli pezzi sono affiancati dallo stesso segno particolare, con cui é indicato l'intero gruppo.

AVVERTENZA

Per facilitare la ricerca viene riportato l'indice numerico di tutti i particolari illustrati sul Catalogo, con la relativa tavola in cui gli stessi sono richiamati. Nella richiesta di parti di ricambio, citare sempre il modello ed il numero di matricola della macchina, il simbolo del particolare, la finezza e la denominazione ufficiale usata sul catalogo.

★ ★ ★ ★ ★

This Spare Parts Catalogue refers to parts for MA/FV 800 and MA/FV 1000 machines and parts for the devices that can be supplied on request.

When using the catalogue please bear in mind that:

- 1 The parts for MA/FV 800 machine only have (800) printed after the description
- 2 The parts for MA/FV 1000 machine only have (1000) printed after the description
- 3 Parts common to both machines are not differentiated
- 4 All the parts that are not supplied separately have no individual reference but are illustrated only in their relative assemblies
- 5 References to illustrations of parts that form an assembly are usually grouped in brackets. In some cases, however, where grouping is impossible, the special sign that indicates the whole assembly is printed at the side of the number referring to the separate parts in the illustrated tables

IMPORTANT

To facilitate its use, this catalogue contains a numerical index of all the parts illustrated, together with the table in which they are to be found. When ordering spares, always state the model and serial number of the machine, the reference number of the part required, the gauge and official description given in the catalogue.

★ ★ ★ ★ ★

Ce catalogue de pièces détachées concerne les pièces composant les machines MA/FV 800 et MA/FV 1000 ainsi que les pièces composant les dispositifs fournis sur demande.

Lors de la consultation de ce catalogue se rappeler que:

- 1 Les pièces utilisées seulement pour la machine MA/FV 800 sont suivies de l'inscription (800) après la description
- 2 Les pièces utilisées seulement pour la machine MA/FV 1000 sont suivies de l'inscription (1000) après la description
- 3 Les pièces communes à ces machines n'ont aucun renvoi
- 4 Les pièces qui ne sont pas fournies séparément ne sont pas citées, mais sont seulement illustrées dans le groupe auquel elles appartiennent
- 5 Les références des illustrations des pièces qui composent un groupe sont généralement regroupées entre parenthèses. Dans certains cas cependant, lorsque le regroupement n'est pas possible, les chiffres qui dans les tableaux illustratifs indiquent les pièces ont à côté un même signe particulier avec lequel tout le groupe est indiqué.

AVERTISSEMENT

Pour faciliter les recherches, nous donnons l'index numérique de toutes les pièces illustrées dans ce catalogue ainsi que le tableau où elles sont indiquées. Lors des commandes de pièces détachées, il faut toujours citer le modèle et le numéro de matricule de la machine, le symbole de la pièce, la jauge et la dénomination officielle utilisée dans le catalogue.

Part. N.	Tav. N.	Part. N.	Tav. N.	Part. N.	Tav. N.	Part. N.	Tav. N.	Part. N.	Tav. N.
RZR-GF	16	RZR-60/A/4	7	RZR-2/B/10	8-9-10-12-19	RZR-58/F/16	3-5	RZR-015/60/114	4
RZR-IG	16	RZR-62/A/4	8-15	RZR-2/C/10	4-5-6	RZR-1/C/20	15	RZR-015/60/125	9
RZR-LA	16	RZR-1/D/5	9-13	RZR-2/D/10	9	RZR-2/B/20	1	RZR-015/60/138	3-5
RZR-M	16	RZR-1/E/5	9-13	RZR-3/D/10	3-7-11-12	RZR-2/D/20	9-12	RZR-015/60/139	3-5
RZR-MA	16	RZR-4/S/5	21		13-14	RZR-4/H/20	3-4-5-6	RZR-015/60/140	8
RZR-PA	16	RZR-14/B/5	9	RZR-3/E/10	4-5-8	RZR-8/B/20	9	RZR-G015/60/145	15
RZR-PEC	21	RZR-16/D/5	19	RZR-4/D/10	5-7-9	RZR-12/D/20	3-4-5	RZR-015/60/145	15
RZR-PICHER	19	RZR-16/F/5	7	RZR-13/B/10	10	RZR-36/E/20	7-9	RZR-015/60/146	6
RZR-PM	16	RZR-16/G/5	2-6	RZR-14/G/10	21	RZR-36/F/20	3-8-13-21	RZR-015/60/153	17
RZR-RA	16	RZR-51/F/5	5-7-8-9-15	RZR-16/G/10	6-12	RZR-36/G/20	2-4-5-6-7-12	RZR-015/60/156	9
RZR-TM	16		21	RZR-26/F/10	3-9-12	RZR-1/E/25	10-15	RZR-015/60/158	15
RZR-TO	1	RZR-60/B/5	4	RZR-31/C/10	9	RZR-2/C/25	11-14	RZR-015/60/164	15
RZR-TR	16	RZR-62/C/5	5-8-9-21	RZR-36/E/10	8-9	RZR-2/D/25	6-8	RZR-015/60/165	9-11
RZR-VIG	16	RZR-40/G/5,5	19	RZR-36/F/10	2-3-5-9-12	RZR-4/L/25	3-4	RZR-015/60/169	9
RZR-015/60/010	7	RZR-1/G/6	10	RZR-40/N/10	20	RZR-9/B/25	4	RZR-015/60/174	9-11
RZR-015/60/035	2	RZR-3/D/6	2	RZR-51/L/10	1-2-5-11	RZR-12/E/25	3	RZR-015/60/176	9
RZR-015/60/036	2	RZR-14/C/6	11	RZR-59/C/10	8	RZR-26/L/25	10	RZR-015/60/182	15
RZR-015/60/037	11-19	RZR-16/F/6	11-14	RZR-62/G/10	1-2-6-11	RZR-36/F/25	8-9-13	RZR-015/60/195	15
RZR-015/60/046	11	RZR-16/G/6	1-2-12-13	RZR-2/B/12	13	RZR-36/G/25	2-3-5-9	RZR-015/60/196	15
RZR-015/60/047	11		14-15	RZR-4/E/12	2-9	RZR-36/H/25	1	RZR-015/60/200	15
RZR-015/60/052	2	RZR-51/G/6	2-8-21	RZR-16/F/12	5	RZR-8/C/26	18	RZR-015/60/210	12
RZR-015/60/055	7	RZR-60/E/6	2	RZR-32/E/12	6	RZR-7/F/28	2	RZR-015/60/211	12
RZR-015/60/057	6-8	RZR-62/D/6	3-5-6-8-9	RZR-59/E/12	8	RZR-2/D/30	6	RZR-015/60/212	12
RZR-015/60/060	3		11-13-14-21	RZR-60/L/12	8	RZR-20/D/30	8	RZR-015/60/214	12
RZR-P015/60/067	10	RZR-1/D/7	8	RZR-58/B/13	2	RZR-20/E/30	6	RZR-G015/60/217	12
RZR-015/60/068	15	RZR-1/E/8	9	RZR-1/G/14	8	RZR-36/E/30	21	RZR-015/60/222	12
RZR-015/60/069	9	RZR-3/D/8	1-4-7-11	RZR-2/C/14	1-2-3-8-11	RZR-36/G/30	9	RZR-015/60/223	12
RZR-015/60/078	8	RZR-3/E/8	7-9-19	RZR-2/M/14	8	RZR-60/S/30	11	RZR-015/60/230	10
RZR-015/60/083	4	RZR-4/A/8	1-19	RZR-1/C/15	15	RZR-36/F/40	21	RZR-015/60/234	12
RZR-015/60/086	3	RZR-16/G/8	6-9-13-19	RZR-1/E/15	13-15	RZR-36/G/40	8	RZR-015/60/235	12
RZR-015/60/089	8	RZR-26/E/8	7-20	RZR-2/B/15	13-15-19	RZR-7/M/45	11	RZR-015/60/240	15
RZR-015/60/090	8	RZR-40/C/8	9	RZR-3/D/15	4	RZR-58/M/45	3	RZR-P015/60/241	10
RZR-015/60/092	8	RZR-51/H/8	7-8-9-10	RZR-3/E/15	2-6	RZR-18/P/50	11	RZR-015/60/243	10-11
RZR-015/60/093	8		12-21	RZR-4/F/15	11	RZR-36/F/50	2-21	RZR-P015/60/244	10
RZR-015/60/094	8	RZR-62/F/8	2-3-4-5-6-7-8	RZR-4/G/15	5	RZR-36/H/50	6	RZR-015/60/245	10
RZR-015/60/099	8		9-10-12-21	RZR-21/D/15	11	RZR-60/V/50	11	RZR-015/60/247	10
RZR-51/B/3	15	RZR-1/C/10	13-15	RZR-26/F/15	1-4	RZR-15/R/55	11	RZR-015/60/248	10
RZR-7/A/4	17	RZR-1/E/10	13-15-19	RZR-26/H/15	10	RZR-015/60/100	8	RZR-015/60/249	10
RZR-14/A/4	20	RZR-1/G/10	1-5-12-13-21	RZR-36/F/15	5-6-8-11-14	RZR-015/60/105	8	RZR-015/60/257	17
RZR-16/D/4	7-20	RZR-1/H/10	6	RZR-2/D/16	1-6-9-10	RZR-015/60/108	8	RZR-G015/60/263	9
RZR-16/F/4	18-19	RZR-2/A/10	7-8-19-20	RZR-12/B/16	9	RZR-015/60/109	8	RZR-015/60/263	9

Part. N.	Tav. N.	Part. N.	Tav. N.	Part. N.	Tav. N.	Part. N.	Tav. N.	Part. N.	Tav. N.
RZR-015/60/264	9-13	RZR-015/100/520	1	RZR-040/100/1058	8	RZR-020/80/2579	2	RZR-015/80/4583	9
RZR-015/60/271	4-6	RZR-015/100/521	13	RZR-040/100/1059	8	RZR-P020/80/2580	2	RZR-G015/80/4584	9
RZR-015/60/272	8	RZR-015/100/524	13	RZR-040/100/1060	8	RZR-020/80/2581	2	RZR-015/80/4584	9
RZR-015/60/273	8	RZR-015/100/525	9	RZR-040/100/1061	1	RZR-020/80/2582	5	RZR-015/80/4588	9
RZR-015/60/277	12	RZR-015/60/570	17	RZR-040/100/1064	8	RZR-020/80/2583	5	RZR-G010/80/4589	9
RZR-015/60/278	12	RZR-015/60/571	17	RZR-040/100/1066	12	RZR-020/80/2584	5	RZR-010/80/4589	9
RZR-015/60/279	12	RZR-015/60/572	17	RZR-G040/100/1067	12	RZR-G020/80/2585	5	RZR-G010/100/4590	9
RZR-015/60/280	12	RZR-015/60/573	17	RZR-040/100/1067	12	RZR-P020/80/2585	5	RZR-010/100/4590	9
RZR-015/60/285	6	RZR-015/60/574	17	RZR-040/100/1068	12	RZR-020/80/2586	6	RZR-010/80/4591	9
RZR-12/MTN/288	21	RZR-015/60/575	17	RZR-040/100/1077	12	RZR-P020/80/2587	6	RZR-010/80/4592	9
RZR-015/60/302	12	RZR-015/60/576	17	RZR-040/100/1078	12	RZR-020/80/2588	7	RZR-010/80/4594	9
RZR-015/60/304	12	RZR-12/MTN/576	21	RZR-040/100/1079	12	RZR-020/80/2589	8	RZR-015/80/4604	6
RZR-015/60/310	2	RZR-015/60/577	17	RZR-040/100/1082	8	RZR-G020/80/2590	11	RZR-015/80/4608	7
RZR-015/60/320	6	RZR-015/60/579	17	RZR-P040/100/1085	12	RZR-020/80/2591	11	RZR-010/80/4613	13
RZR-015/60/321	6	RZR-015/60/580	17	RZR-040/160/1416	8	RZR-020/80/2592	11	RZR-010/100/4614	13
RZR-015/60/322	3	RZR-020/60/610	7-19	RZR-082/150/2020	3-5	RZR-020/80/2593	11	RZR-015/80/4635	11
RZR-P015/60/332	2	RZR-020/60/611	17	RZR-082/150/2041	3	RZR-020/80/2594	11	RZR-P015/80/4636	11
RZR-G015/60/333	2	RZR-020/60/612	17	RZR-082/150/2065	2	RZR-020/80/2595	7	RZR-015/80/4638	11
RZR-015/60/333	2	RZR-020/60/613	17	RZR-082/150/2104	2	RZR-020/80/2596	7	RZR-G015/80/4639	11
RZR-P015/60/335	2	RZR-020/60/614	17	RZR-P082/150/2379	12	RZR-G020/80/2597	3	RZR-015/80/4639	11
RZR-015/60/340	4	RZR-020/60/671	2	RZR-020/60/2503	6	RZR-020/80/2701	5	RZR-G010/80/4646	13
RZR-015/60/343	4	RZR-020/60/679	8	RZR-020/60/2507	7	RZR-020/80/2702	5	RZR-G010/100/4647	13
RZR-015/60/344	17	RZR-020/60/683	8-17	RZR-020/80/2551	1-13-21	RZR-020/80/2704	17	RZR-P010/80/4648	11
RZR-015/60/345	17	RZR-020/60/684	9-17	RZR-020/80/2553	13	RZR-P020/80/2705	17	RZR-G010/80/4652	13
RZR-015/80/362	9	RZR-G020/60/713	7	RZR-020/100/2556	1-13	RZR-P020/80/2706	17	RZR-G010/100/4653	13
RZR-015/80/364	1	RZR-020/80/772	9	RZR-020/100/2557	13	RZR-P020/80/2707	17	RZR-G015/80/4770	15
RZR-015/80/366	8	RZR-G020/80/774	8	RZR-020/80/2564	7	RZR-P020/80/2708	17	RZR-P015/80/4770	15
RZR-015/80/369	8	RZR-020/80/774	8	RZR-020/80/2565	7	RZR-110/280/3554	1	RZR-015/80/4771	15
RZR-015/80/370	12	RZR-020/80/775	8	RZR-020/80/2566	7	RZR-015/80/4516	3	RZR-015/80/4772	15
RZR-015/80/373	12	RZR-020/80/777	8	RZR-020/80/2567	7	RZR-015/80/4517	3	RZR-015/80/4773	15
RZR-G015/80/374	12	RZR-G035/60/846	2-5-12	RZR-020/80/2568	7	RZR-015/80/4518	3	RZR-015/80/4774	1
RZR-015/80/374	12	RZR-040/100/1004	14	RZR-020/80/2569	5	RZR-P015/80/4525	4	RZR-125/80/4802	2
RZR-015/80/380	13-14	RZR-040/100/1015	8	RZR-020/80/2570	9	RZR-015/80/4528	4-5	RZR-125/80/4913	3-5
RZR-P015/80/391	12	RZR-040/100/1016	9	RZR-020/80/2571	8	RZR-015/80/4529	4	RZR-P135/80/5007	1
RZR-015/80/393	8	RZR-040/100/1017	9	RZR-020/80/2572	7	RZR-015/80/4534	4	RZR-G135/80/5013	1
RZR-015/80/394	9	RZR-040/100/1018	9	RZR-020/80/2573	7	RZR-015/80/4535	4	RZR-P135/80/5013	1
RZR-015/80/396	8	RZR-040/100/1019	9	RZR-020/80/2574	7	RZR-015/100/4555	1	RZR-135/80/5018	1
RZR-P015/80/398	10	RZR-040/100/1020	9-13	RZR-020/80/2575	7	RZR-015/80/4556	4	RZR-135/80/5020	1
RZR-015/60/405	8	RZR-G040/100/1030	9	RZR-020/80/2576	7	RZR-015/100/4557	4	RZR-135/80/5039	2
RZR-G015/80/413	9	RZR-P040/100/1042	10	RZR-020/80/2577	2	RZR-G015/80/4580	9	RZR-135/80/5040	2
RZR-015/100/511	9	RZR-G040/100/1058	8	RZR-020/80/2578	2	RZR-015/80/4580	9	RZR-135/80/5041	2

Part. N.	Tav. N.	Part. N.	Tav. N.	Part. N.	Tav. N.	Part. N.	Tav. N.	Part. N.	Tav. N.
RZR-P135/80/5043	2	RZR-P135/80/5195	6	RZR-135/80/5477	15	RZR-015/80/7472	1	RZR-015/60/9062	18
RZR-135/80/5046	2	RZR-135/80/5196	6	RZR-135/80/5478	15	RZR-015/100/7480	1	RZR-G040/100/9066	18
RZR-P135/80/5049	2	RZR-135/80/5220	7	RZR-135/80/5479	15	RZR-015/100/7481	1	RZR-040/100/9066	18
RZR-135/80/5051	2	RZR-135/80/5221	7	RZR-G135/80/5480	13-15	RZR-015/100/7482	1	RZR-015/60/9076	18
RZR-135/80/5052	2	RZR-135/80/5222	3-7	RZR-135/80/5480	13-15	RZR-015/60/7508	21	RZR-015/60/9077	18
RZR-135/80/5053	2	RZR-135/80/5232	7	RZR-135/80/5481	13-15	RZR-P015/60/7509	21	RZR-015/60/9507	12
RZR-P135/80/5055	2	RZR-135/80/5270	9	RZR-135/80/5482	13-15	RZR-015/60/7848	11-12	RZR-015/60/9518	12
RZR-135/80/5080	3	RZR-P135/80/5275	9	RZR-135/80/5483	15	RZR-015/60/8044	21		
RZR-135/80/5082	3	RZR-P135/80/5276	9	RZR-135/80/5484	15	RZR-015/60/8142	21		
RZR-135/80/5083	3	RZR-GG135/80/5277	9	RZR-135/80/5485	15	RZR-015/60/8166	21		
RZR-135/80/5084	3	RZR-G135/80/5277	9	RZR-P135/100/5500	1	RZR-G015/60/8261	21		
RZR-135/80/5085	3	RZR-135/80/5277	9	RZR-135/100/5540	3	RZR-015/60/8261	21		
RZR-135/80/5088	19	RZR-135/80/5278	9	RZR-135/100/5542	3	RZR-015/60/8300	19		
RZR-135/80/5089	4	RZR-135/80/5281	9	RZR-135/100/5543	3	RZR-015/60/8310	19		
RZR-135/80/5090	4	RZR-135/80/5283	9	RZR-135/100/5660	8	RZR-015/60/8312	19		
RZR-135/80/5091	4	RZR-135/80/5284	9	RZR-135/100/5683	9	RZR-040/100/8313	19		
RZR-135/80/5097	3	RZR-135/80/5322	11	RZR-135/100/5684	9	RZR-040/100/8314	19		
RZR-135/80/5098	3	RZR-135/80/5323	11	RZR-135/100/5700	11	RZR-015/60/8315	19		
RZR-135/80/5099	3	RZR-135/80/5324	11	RZR-135/100/5705	10	RZR-015/60/8316	19		
RZR-135/80/5102	3	RZR-135/80/5325	11	RZR-135/100/5750	14	RZR-015/60/8318	19		
RZR-135/80/5105	3	RZR-135/80/5328	11	RZR-G135/100/5754	13	RZR-015/60/8321	19		
RZR-135/80/5106	3	RZR-135/80/5329	11	RZR-135/100/5756	14	RZR-P135/80/8322	19		
RZR-G135/80/5107	3	RZR-135/80/5330	11	RZR-135/100/5757	14	RZR-135/80/8323	19		
RZR-135/80/5141	5	RZR-135/80/5332	11	RZR-135/100/5762	14	RZR-135/80/8324	19		
RZR-135/80/5142	5	RZR-135/80/5334	10	RZR-135/100/5763	13	RZR-020/60/8354	20		
RZR-135/80/5144	5	RZR-135/80/5335	10	RZR-110/310/6336	7	RZR-G020/60/8355	20		
RZR-135/80/5145	5	RZR-135/80/5339	10	RZR-015/60/7400	21	RZR-020/60/8355	20		
RZR-P135/80/5146	5	RZR-135/80/5340	10	RZR-015/60/7402	21	RZR-020/60/8356	20		
RZR-135/80/5148	5	RZR-125/80/5350	12	RZR-015/60/7405	21	RZR-020/60/8357	20		
RZR-135/80/5152	5	RZR-125/80/5351	12	RZR-015/60/7406	21	RZR-020/60/8359	20		
RZR-135/80/5156	5	RZR-135/80/5371	14	RZR-015/60/7407	21	RZR-015/60/8360	19		
RZR-135/80/5180	6	RZR-135/80/5372	14	RZR-015/60/7410	21	RZR-020/60/8361	20		
RZR-135/80/5181	6	RZR-135/80/5374	13	RZR-015/60/7413	21	RZR-020/100/8362	20		
RZR-135/80/5182	6	RZR-135/80/5375	13	RZR-015/60/7414	21	RZR-015/60/8681	13-15		
RZR-135/80/5186	6	RZR-135/80/5376	14	RZR-015/60/7443	21	RZR-015/60/8688	10-15		
RZR-135/80/5189	6	RZR-135/80/5377	13	RZR-015/60/7455	1	RZR-015/60/8689	10-15		
RZR-P135/80/5190	6	RZR-G135/80/5381	13	RZR-015/60/7456	1	RZR-035/60/8806	21		
RZR-135/80/5190	6	RZR-135/80/5388	14	RZR-135/80/7460	1	RZR-035/60/8807	21		
RZR-135/80/5191	6	RZR-135/80/5474	15	RZR-135/80/7461	1	RZR-G035/60/8809	21		
RZR-135/80/5192	6	RZR-135/80/5475	15	RZR-015/80/7470	1	RZR-040/100/8851	21		
RZR-135/80/5193	6	RZR-125/80/5476	1	RZR-015/80/7471	1	RZR-015/60/9060	18		

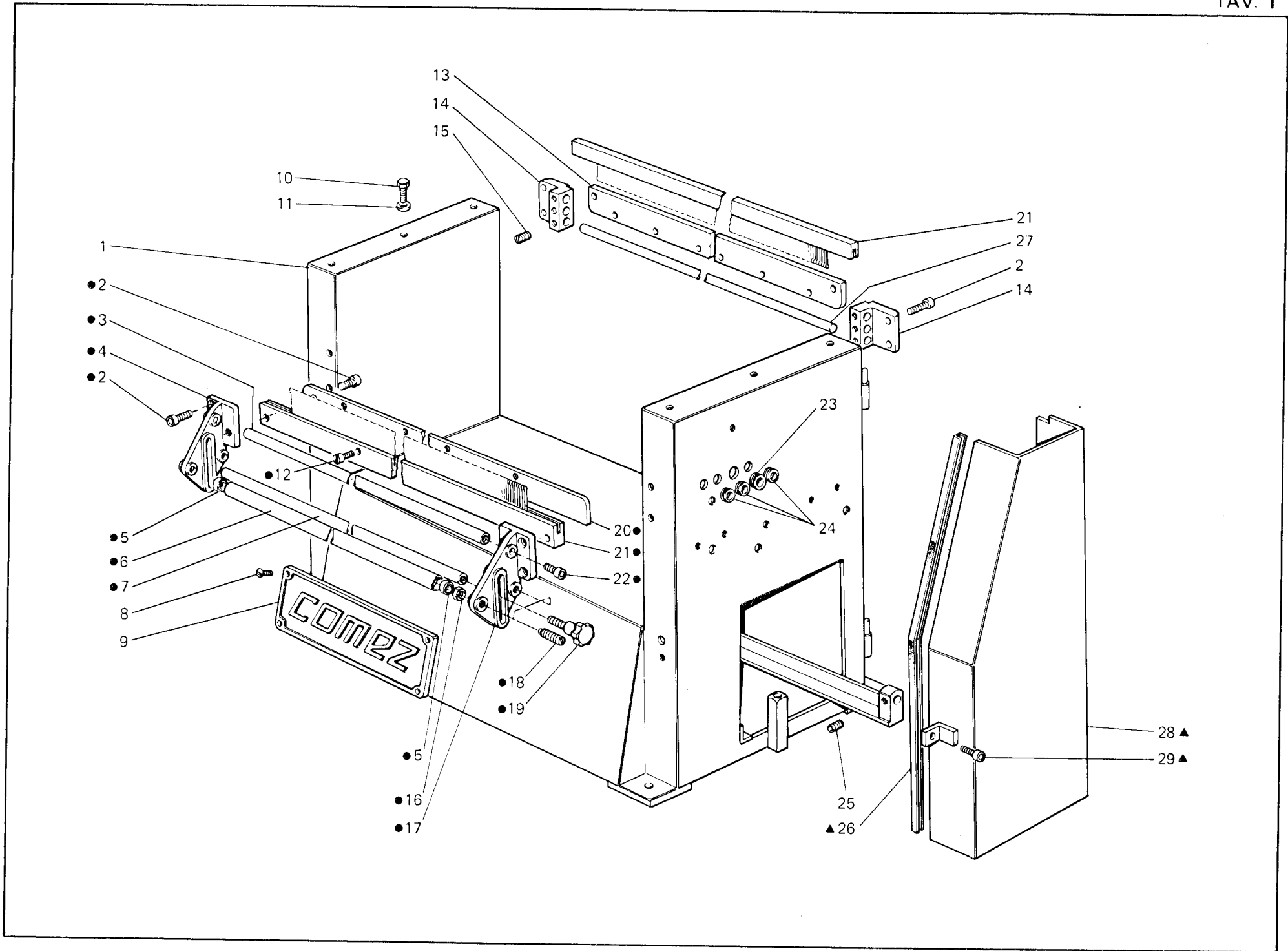


Fig. N. Abb. N.	Part. N. Bestell N. Piece N. Pieza N.	DESCRIZIONE	Fig. N. Abb. N.	Part. N. Bestell N. Piece N. Pieza N.	DESCRIZIONE
●	RZR-TO	tensionatore ordito completo (800)			
●	RZR-TO	tensionatore ordito completo (1000)			
▲	RZR-G135/80/5013	carter completo			
1	RZR-P135/80/5007	basamento (800)			
1	RZR-P135/100/5500	basamento (1000)			
2	RZR-2/C/14	vite			
3	RZR-015/80/7471	asta fissa tensionatore (800)			
3	RZR-015/100/7481	asta fissa tensionatore (1000)			
4	RZR-135/80/7461	supporto sinistro			
5	RZR-4/A/8	cuscinetto			
6	RZR-015/80/7470	asta tensionatore (800)			
6	RZR-015/100/7480	asta tensionatore (1000)			
7	RZR-015/80/7472	asta mobile tensionatore (800)			
7	RZR-015/100/7482	asta mobile tensionatore (1000)			
8	RZR-26/F/15	vite			
9	RZR-110/280/3554	targhetta Comez			
10	RZR-36/H/25	vite			
11	RZR-62/G/10	rondella			
12	RZR-1/G/10	vite			
13	RZR-015/100/4555	asta porta pettine (1000)			
14	RZR-135/80/5020	supporto pettine (800)			
15	RZR-16/G/6	vite			
16	RZR-51/L/10	dado			
17	RZR-135/80/7460	supporto destro			
18	RZR-015/60/7455	vite			
19	RZR-015/60/7456	pomello			
20	RZR-015/100/520	asta porta pettine (1000)			
21	RZR-020/80/2551	pettine aperto (800)			
21	RZR-020/100/2556	pettine aperto (1000)			
22	RZR-2/D/16	vite			
23	RZR-125/80/5476	passacavo			
24	RZR-015/80/4774	passacavo			
25	RZR-3/D/8	vite			
26	RZR-135/80/5018	guarnizione			
27	RZR-015/80/364	asta pettine (800)			
27	RZR-040/100/1061	asta pettine (1000)			
28	RZR-P135/80/5013	carter			
29	RZR-2/B/20	vite			

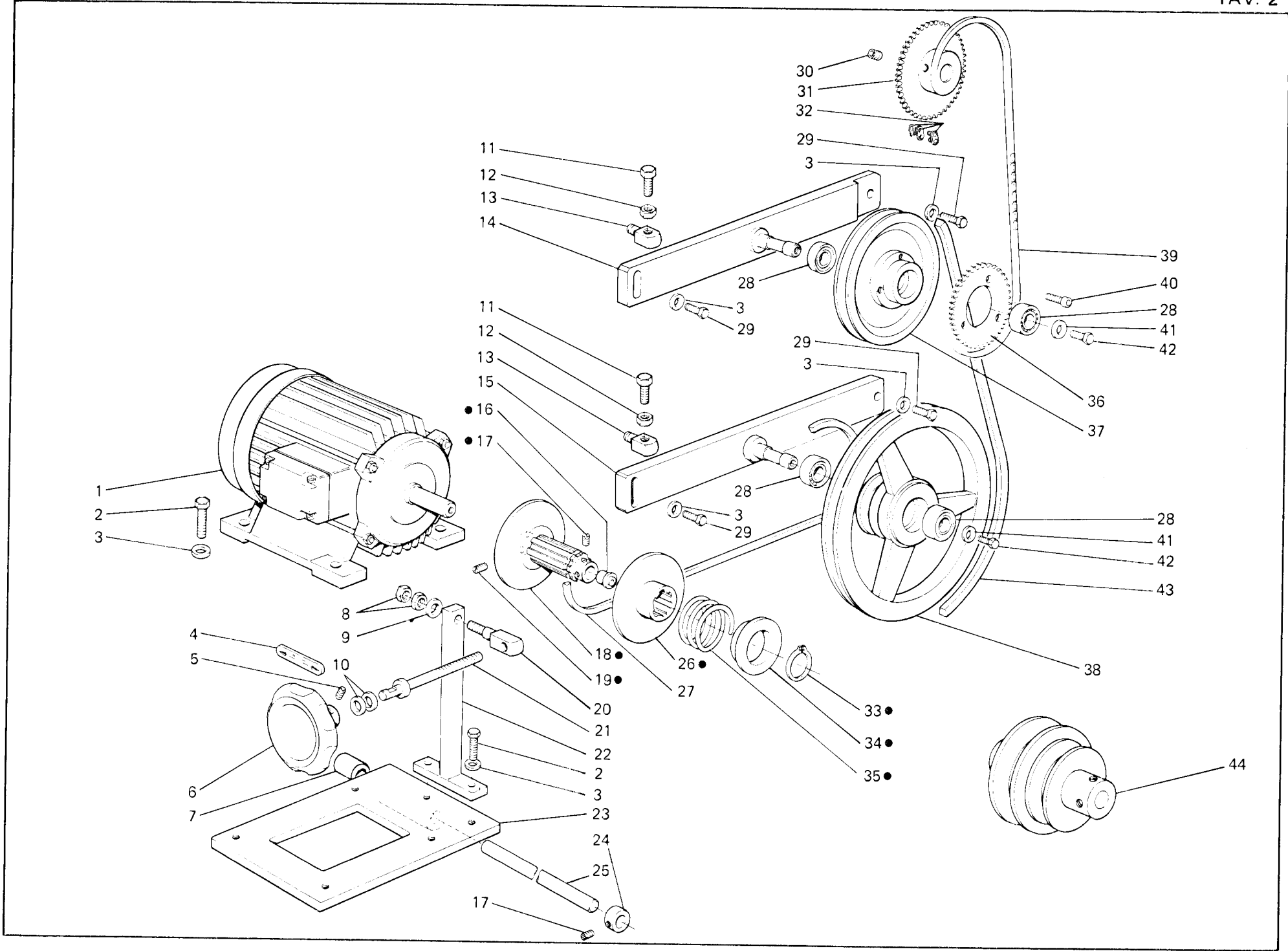


Fig. N. Abb. N.	Part. N. Bestell N. Piece N. Pieza N.	DESCRIZIONE	Fig. N. Abb. N.	Part. N. Bestell N. Piece N. Pieza N.	DESCRIZIONE
●	RZR-G015/60/333	puleggia variabile completa			
1	RZR-135/80/5039	motore 1HP			
2	RZR-36/G/20	vite			
3	RZR-62/F/8	rondella			
4	RZR-015/60/052	targhetta			
5	RZR-3/D/6	vite			
6	RZR-135/80/5053	volantino			
7	RZR-020/80/2577	bussola			
8	RZR-51/L/10	dado			
9	RZR-62/G/10	rondella			
10	RZR-58/B/13	guarnizione			
11	RZR-36/F/50	vite			
12	RZR-51/G/6	dado			
13	RZR-082/150/2065	perno			
14	RZR-P020/80/2580	supporto			
15	RZR-P135/80/5049	supporto			
16	RZR-P015/60/335	tappo con oliatore			
17	RZR-16/G/5	vite			
18	RZR-P015/60/332	flangia fissa			
19	RZR-16/G/6	vite			
20	RZR-020/80/2578	spinotto			
21	RZR-P135/80/5055	alberino			
22	RZR-P135/80/5043	braccio			
23	RZR-135/80/5040	piastra			
24	RZR-082/150/2104	anello			
25	RZR-135/80/5041	perno			
26	RZR-015/60/333	flangia mobile			
27	RZR-020/60/671	cinghia			
28	RZR-4/E/12	cuscinetto			
29	RZR-36/G/25	vite			
30	RZR-3/E/15	vite			
31	RZR-135/80/5051	ingranaggio			
32	RZR-G035/60/846	giunzione catena			
33	RZR-7/F/28	anello di fermo			
34	RZR-015/60/036	fermo molla			
35	RZR-015/60/035	molla			
36	RZR-015/60/310	ingranaggio			
37	RZR-135/80/5046	puleggia 50 Hz			
37	RZR-125/80/4802	puleggia 60 Hz			
38	RZR-020/80/2579	puleggia			
39	RZR-020/80/2581	catena			
40	RZR-2/C/14	vite			
41	RZR-60/E/6	rondella			
42	RZR-36/F/10	vite			
43	RZR-015/80/4502	cinghia 50 Hz			
43	RZR-020/80/2703	cinghia 60 Hz			
		SOLO A RICHIESTA			
44	RZR-135/80/5052	puleggia fissa a 2 gole			

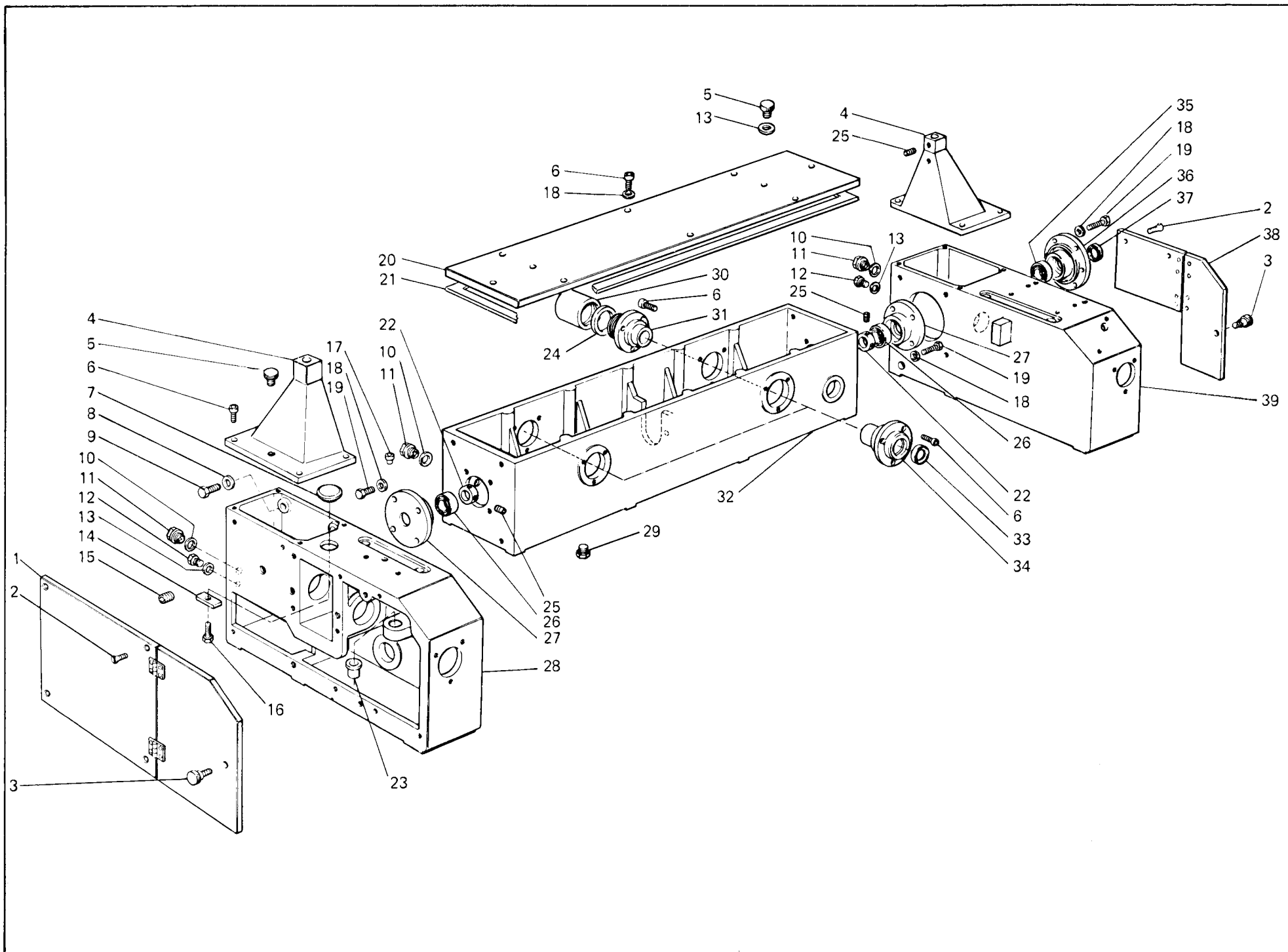


Fig. N. Abb. N.	Part. N. Bestell N. Piece N. Pieza N.	DESCRIZIONE	Fig. N. Abb. N.	Part. N. Bestell N. Piece N. Pieza N.	DESCRIZIONE
1	RZR-G135/80/5107	carter cassetta sinistra			
2	RZR-26/F/10	vite			
3	RZR-135/80/5105	pomello			
4	RZR-135/80/5097	supporto castello			
5	RZR-015/60/138	tappo carico olio			
6	RZR-2/C/14	vite			
7	RZR-015/60/060	tappo cassetta sinistra			
8	RZR-62/F/8	rondella			
9	RZR-36/G/25	vite			
10	RZR-58/F/16	rondella speciale			
11	RZR-082/150/2020	livello olio			
12	RZR-015/60/139	tappo scarico olio			
13	RZR-125/80/4913	guarnizione			
14	RZR-015/60/322	staffa			
15	RZR-135/80/5102	tappo cassetta sinistra			
16	RZR-36/F/10	vite			
17	RZR-135/80/5222	oliatore			
18	RZR-62/D/6	rondella			
19	RZR-36/F/20	vite			
20	RZR-135/80/5098	coperchio cassetta centrale (800)			
20	RZR-135/100/5542	coperchio cassetta centrale (1000)			
21	RZR-135/80/5099	guarnizione cassetta centrale (800)			
21	RZR-135/100/5543	guarnizione cassetta centrale (1000)			
22	RZR-082/150/2041	anello			
23	RZR-135/80/5106	bronzina			
24	RZR-58/M/45	rondella speciale			
25	RZR-3/D/10	vite			
26	RZR-4/L/25	cuscinetto			
27	RZR-135/80/5082	copricuscinetto interno			
28	RZR-135/80/5085	cassetta sinistra			
29	RZR-015/60/086	tappo scarico olio			
30	RZR-015/80/4518	coperchio bussola posteriore			
31	RZR-015/80/4517	bussola posteriore			
32	RZR-135/80/5080	cassetta centrale (800)			
32	RZR-135/100/5540	cassetta centrale (1000)			
33	RZR-12/E/25	anello di tenuta			
34	RZR-015/80/4516	bussola anteriore			
35	RZR-4/H/20	cuscinetto			
36	RZR-135/80/5083	copricuscinetto esterno			
37	RZR-12/D/20	anello di tenuta			
38	RZR-G020/80/2597	carter cassetta destra			
39	RZR-135/80/5084	cassetta destra			

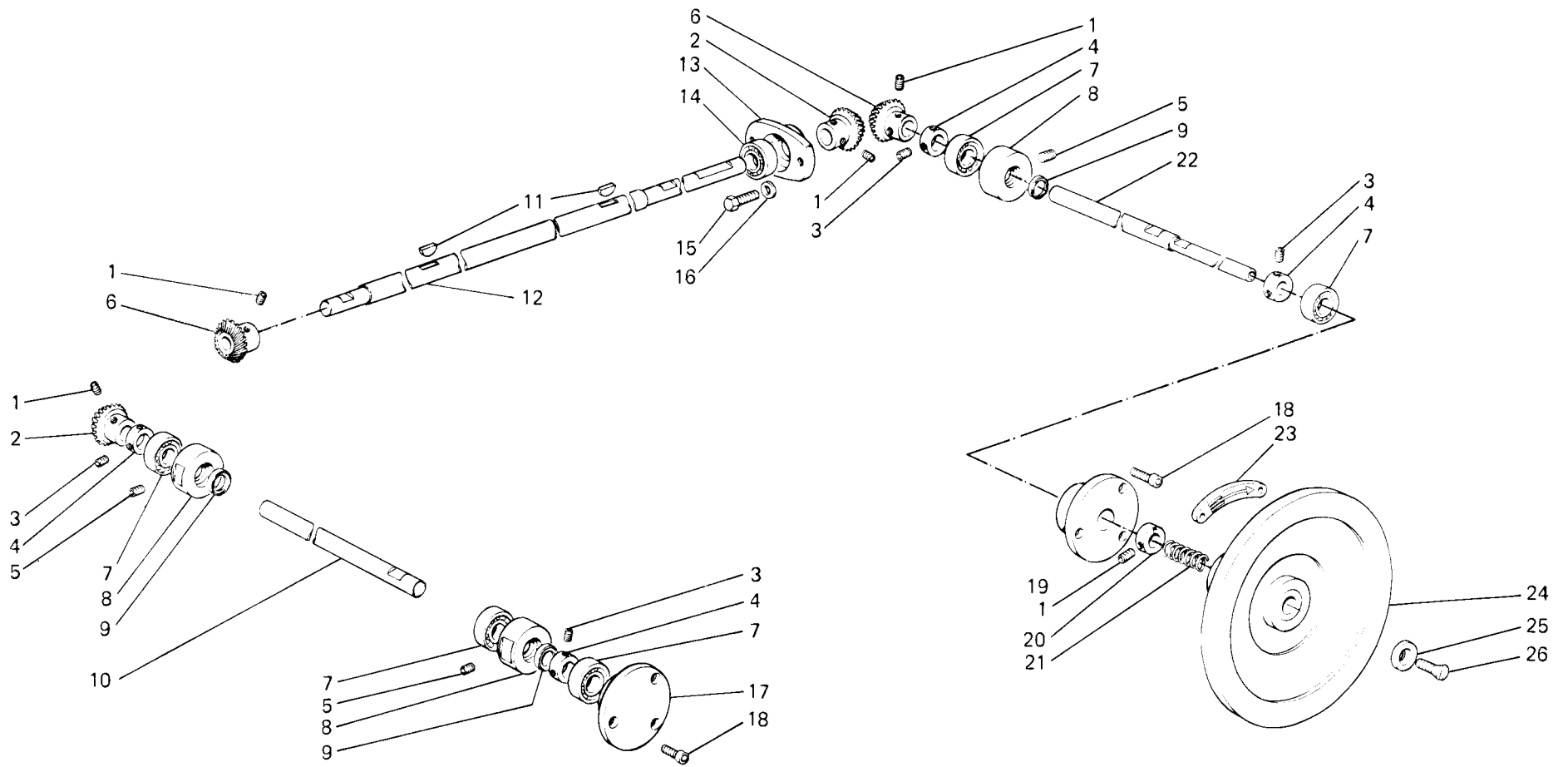


Fig. N. Abb. N.	Part. N. Bestell N. Piece N. Pieza N.	DESCRIZIONE	Fig. N. Abb. N.	Part. N. Bestell N. Piece N. Pieza N.	DESCRIZIONE
1	RZR-3/E/10	vite			
2	RZR-015/80/4534	pignone destro			
3	RZR-3/D/8	vite			
4	RZR-015/60/271	anello			
5	RZR-3/D/15	vite			
6	RZR-015/80/4535	pignone sinistro			
7	RZR-4/H/20	cuscinetto			
8	RZR-135/80/5091	porta cuscinetto			
9	RZR-12/D/20	anello di tenuta			
10	RZR-135/80/5090	albero sinistro			
11	RZR-9/B/25	chiavetta			
12	RZR-015/80/4556	albero centrale (800)			
12	RZR-015/100/4557	albero centrale (1000)			
13	RZR-015/60/083	supporto			
14	RZR-4/L/25	cuscinetto			
15	RZR-36/G/20	vite			
16	RZR-62/F/8	rondella			
17	RZR-015/80/4529	copricuscinetto			
18	RZR-2/C/10	vite			
19	RZR-015/80/4528	copricuscinetto			
20	RZR-015/60/340	anello			
21	RZR-015/60/343	molletta			
22	RZR-135/80/5089	albero destro			
23	RZR-015/60/114	targhetta			
24	RZR-P015/80/4525	volantino			
25	RZR-60/B/5	rondella			
26	RZR-26/F/15	vite			

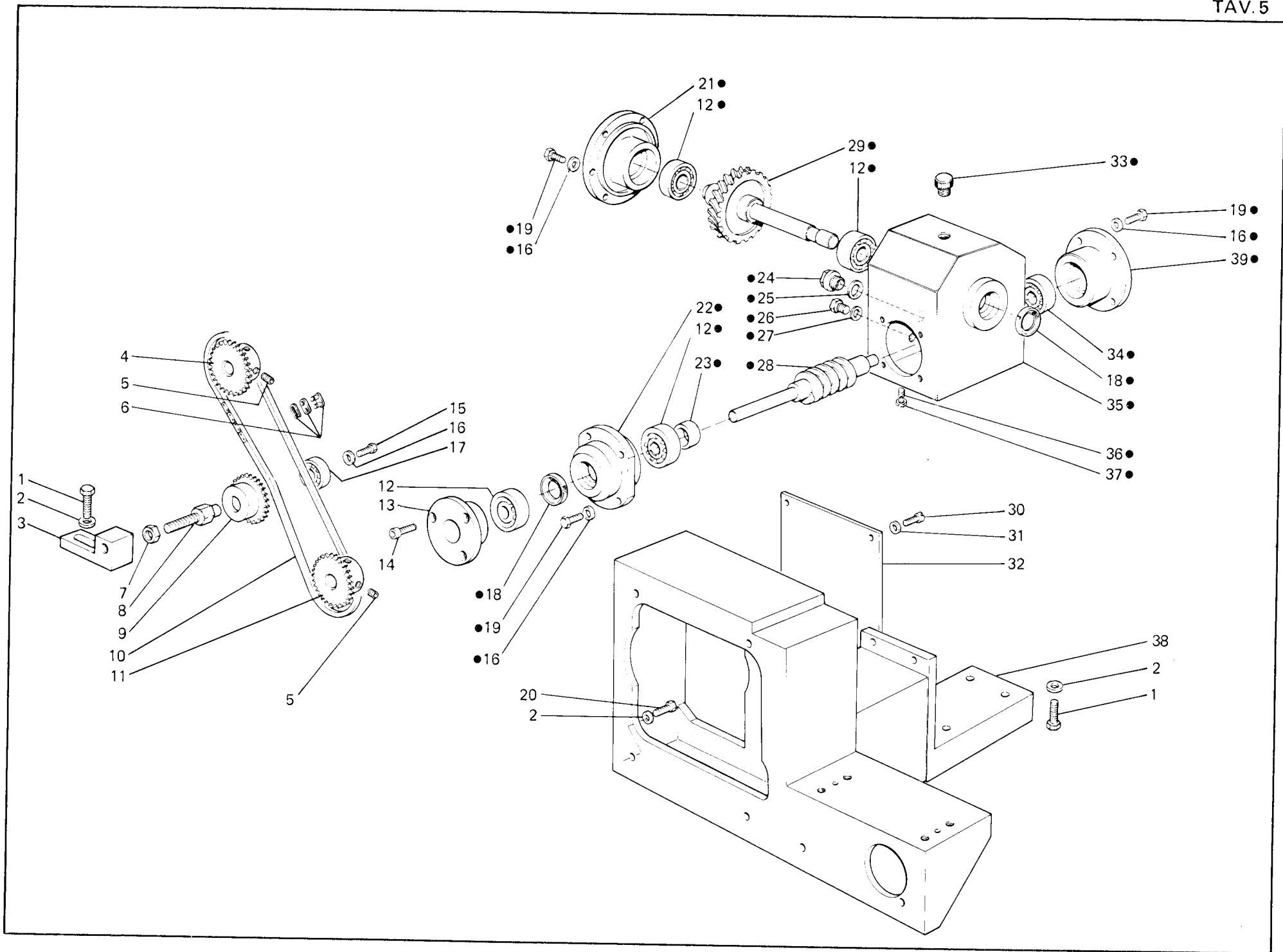


Fig. N. Abb. N.	Part. N. Bestell N. Piece N. Pieza N.	DESCRIZIONE	Fig. N. Abb. N.	Part. N. Bestell N. Piece N. Pieza N.	DESCRIZIONE
●	RZR-G020/80/2585	riduttore completo			
1	RZR-36/G/25	vite			
2	RZR-62/F/8	rondella			
3	RZR-020/80/2701	supporto			
4	RZR-020/80/2582	ingranaggio			
5	RZR-3/E/10	vite			
6	RZR-G035/60/846	giunzione catena			
7	RZR-51/L/10	dado			
8	RZR-020/80/2702	perno			
9	RZR-135/80/5156	ingranaggio			
10	RZR-020/80/2584	catena			
11	RZR-020/80/2583	ingranaggio			
12	RZR-4/H/20	cuscinetto			
13	RZR-015/80/4528	copricuscinetto			
14	RZR-2/C/10	vite			
15	RZR-36/F/10	vite			
16	RZR-62/D/6	rondella			
17	RZR-4/D/10	cuscinetto			
18	RZR-12/D/20	anello di tenuta			
19	RZR-36/F/15	vite			
20	RZR-36/G/20	vite			
21	RZR-135/80/5142	copricuscinetto laterale			
22	RZR-135/80/5145	copricuscinetto anteriore			
23	RZR-135/80/5148	distanziale			
24	RZR-082/150/2020	livello olio			
25	RZR-58/F/16	rondella			
26	RZR-015/60/139	tappo scarico			
27	RZR-125/80/4913	guarnizione			
28	RZR-P020/80/2585	vite senza fine			
29	RZR-P135/80/5146	ingranaggio			
30	RZR-1/G/10	vite			
31	RZR-62/C/5	rondella			
32	RZR-135/80/5152	carter			
33	RZR-015/60/138	tappo rifornimento			
34	RZR-4/G/15	cuscinetto			
35	RZR-135/80/5141	scatola riduttore			
36	RZR-16/F/12	vite			
37	RZR-51/F/5	dado			
38	RZR-020/80/2569	supporto riduttore			
39	RZR-135/80/5144	copricuscinetto posteriore			

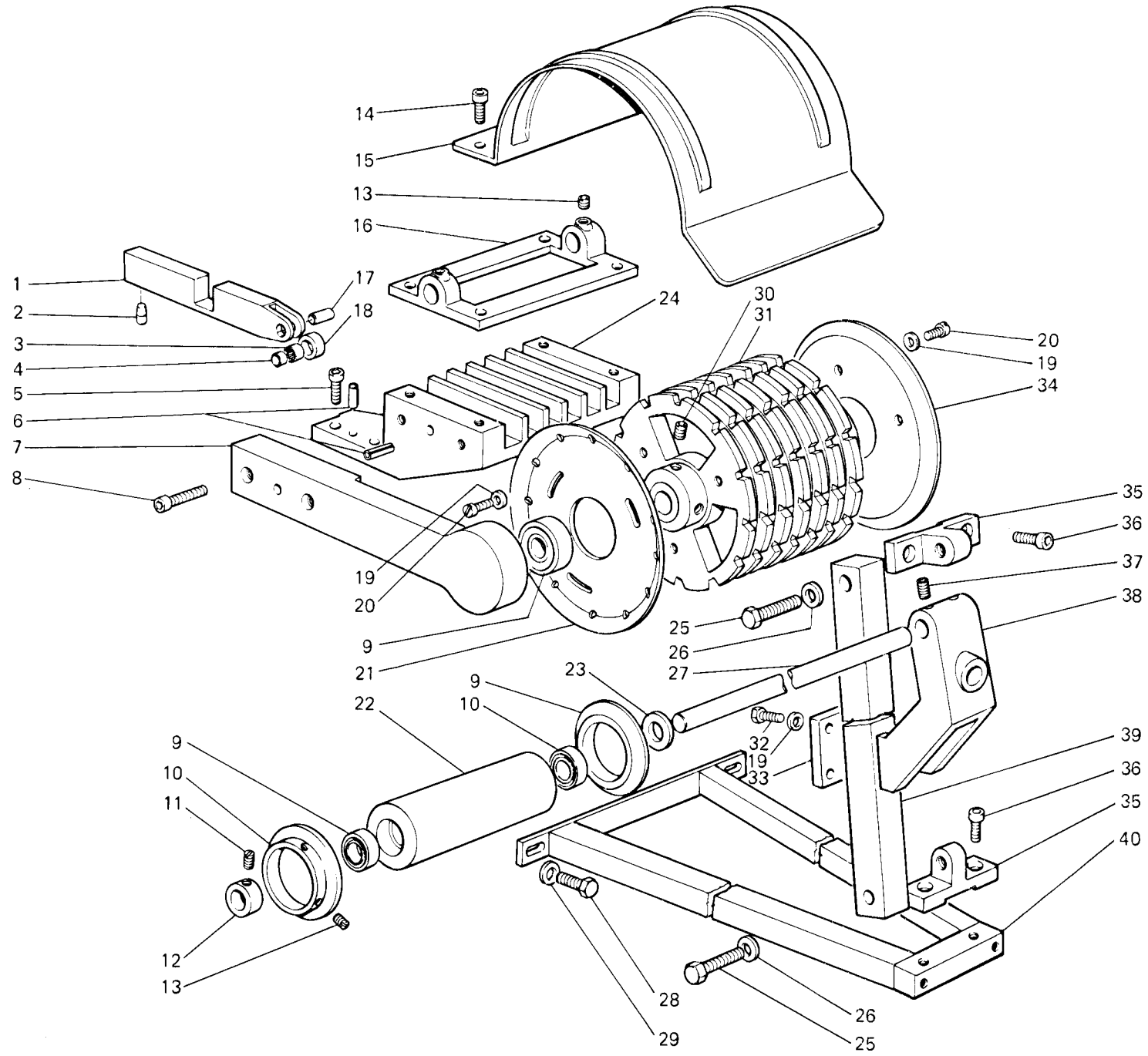


Fig. N. Abb. N.	Part. N. Bestell N. Piece N. Pieza N.	DESCRIZIONE	Fig. N. Abb. N.	Part. N. Bestell N. Piece N. Pieza N.	DESCRIZIONE
1	RZR-020/60/2503	asta scorrevole			
2	RZR-015/60/057	pernetto			
3	RZR-32/E/12	cuscinetto a rullini			
4	RZR-015/60/285	anello interno			
5	RZR-2/D/30	vite			
6	RZR-20/E/30	spina elastica			
7	RZR-135/80/5181	supporto			
8	RZR-2/D/25	vite			
9	RZR-4/H/20	cuscinetto			
10	RZR-135/80/5190	flangia			
11	RZR-16/G/5	vite			
12	RZR-015/60/271	anello			
13	RZR-16/G/10	vite			
14	RZR-2/C/10	vite			
15	RZR-135/80/5196	carter			
16	RZR-020/80/2586	piastra			
17	RZR-015/60/146	perno			
18	RZR-015/80/4604	rullo cuscinetto			
19	RZR-62/D/6	rondella			
20	RZR-1/H/10	vite			
21	RZR-015/60/321	flangia sinistra			
22	RZR-P135/80/5190	cilindro			
23	RZR-135/80/5191	anello			
24	RZR-135/80/5180	supporto			
25	RZR-36/H/50	vite			
26	RZR-62/G/10	rondella			
27	RZR-135/80/5189	perno			
28	RZR-36/G/20	vite			
29	RZR-62/F/8	rondella			
30	RZR-3/E/15	vite			
31	RZR-135/80/5182	tamburo glider			
32	RZR-36/F/15	vite			
33	RZR-135/80/5186	staffa			
34	RZR-015/60/320	flangia destra			
35	RZR-135/80/5193	attacco per asta			
36	RZR-2/D/16	vite			
37	RZR-16/G/8	vite			
38	RZR-135/80/5192	supporto			
39	RZR-P020/80/2587	asta			
40	RZR-P135/80/5195	sostegno			

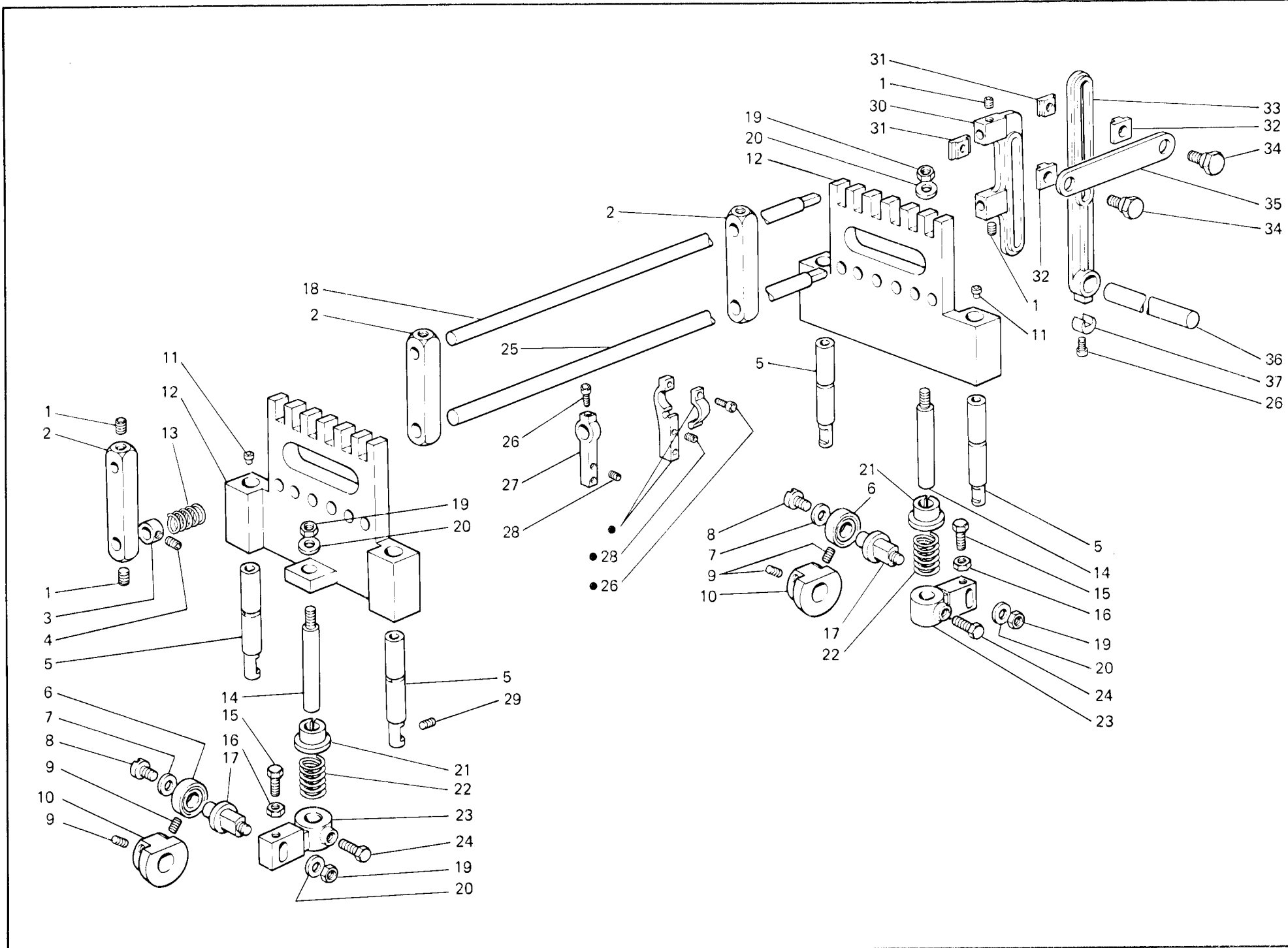


Fig. N. Abb. N.	Part. N. Bestell N. Piece N. Pieza N.	DESCRIZIONE	Fig. N. Abb. N.	Part. N. Bestell N. Piece N. Pieza N.	DESCRIZIONE
●	RZR-G020/60/713	supportino estraibile completo			
1	RZR-3/D/8	vite			
2	RZR-020/80/2574	blocchetto per aste			
3	RZR-015/60/010	anello			
4	RZR-16/F/5	vite			
5	RZR-135/80/5232	colonna guida asta			
6	RZR-4/D/10	cuscinetto			
7	RZR-60/A/4	rondella			
8	RZR-26/E/8	vite			
9	RZR-3/E/8	vite			
10	RZR-020/80/2573	camma			
11	RZR-135/80/5222	oliatore			
12	RZR-020/80/2572	piastra			
13	RZR-020/80/2568	molla			
14	RZR-135/80/5221	perno guida alza barre			
15	RZR-36/E/20	vite			
16	RZR-51/F/5	dado			
17	RZR-015/80/4608	perno			
18	RZR-020/80/2575	asta			
19	RZR-51/H/8	dado			
20	RZR-62/F/8	rondella			
21	RZR-110/310/6336	rondella speciale			
22	RZR-015/60/055	molla			
23	RZR-135/80/5220	supporto			
24	RZR-36/G/20	vite			
25	RZR-020/80/2576	asta			
26	RZR-2/A/10	vite			
27	RZR-020/60/610	supportino guidafile			
28	RZR-16/D/4	vite			
29	RZR-3/D/10	vite			
30	RZR-020/80/2564	riporto per barra			
31	RZR-020/80/2567	blocchetto filettato			
32	RZR-020/80/2595	blocchetto			
33	RZR-020/80/2573	leva spingi 1 ^a - 2 ^a - 5 ^a - 6 ^a barra			
33	RZR-020/80/2596	leva spingi 3 ^a - 4 ^a barra			
34	RZR-020/80/2566	perno			
35	RZR-020/80/2565	listello			
36	RZR-020/80/2588	albero leva			
37	RZR-020/60/2507	blocchetto			

Fig. N. Abb. N.	Part. N. Bestell N. Piece N. Pieza N.	DESCRIZIONE	Fig. N. Abb. N.	Part. N. Bestell N. Piece N. Pieza N.	DESCRIZIONE
●	RZR-G020/80/774	frontura posteriore completa (800)	40	RZR-015/60/089	rullo camme
●	RZR-G040/100/1058	frontura posteriore completa (1000)	41	RZR-020/80/2589	camme sinistra
1	RZR-2/C/14	vite	42	RZR-3/E/10	vite
2	RZR-62/D/6	rondella	43	RZR-015/60/100	vite regolazione
3	RZR-51/F/5	dado	44	RZR-36/E/10	vite
4	RZR-62/C/5	rondella	45	RZR-015/60/099	piastrina
5	RZR-015/60/108	piastra sinistra	46	RZR-015/60/109	piastra destra
6	RZR-040/160/1416	vite di fermo	47	RZR-020/80/2571	camme destra
7	RZR-015/80/393	listello aprilinguetta (800)	48	RZR-36/F/15	vite
7	RZR-040/100/1082	listello aprilinguetta (1000)	49	RZR-015/60/273	supporto
8	RZR-62/A/4	rondella	50	RZR-015/60/272	piastra sinistra
9	RZR-2/A/10	vite	51	RZR-2/B/10	vite
10	RZR-015/80/366	angolare ferma lavoro (800)	52	RZR-015/60/078	piastra destra
10	RZR-040/100/1064	angolare ferma lavoro (1000)	53	RZR-015/60/092	supporto destro
11	RZR-36/F/25	vite			
12	RZR-51/G/6	dado			
13	RZR-020/80/775	frontura anteriore (800)			
13	RZR-040/100/1015	frontura anteriore (1000)			
14	RZR-015/60/105	perno regolazione			
15	RZR-36/F/20	vite			
16	RZR-020/60/679	placca fissa aghi			
17	RZR-020/80/777	barretta ferma aghi (800)			
17	RZR-040/100/1059	barretta ferma aghi (1000)			
18	RZR-020/80/774	frontura posteriore (800)			
18	RZR-040/100/1058	frontura posteriore (1000)			
19	RZR-1/D/7	vite			
20	RZR-015/60/140	piastrina			
21	RZR-015/80/369	angolare porta barre (800)			
21	RZR-040/100/1060	angolare porta barre (1000)			
22	RZR-60/L/12	rondella			
23	RZR-59/E/12	dado			
24	RZR-015/80/396	perno centrale (800)			
25	RZR-2/D/25	vite			
26	RZR-51/H/8	dado			
27	RZR-135/100/5660	sostegno (1000)			
28	RZR-1/G/14	vite			
29	RZR-020/60/683	ago			
30	RZR-20/D/30	spina elastica			
31	RZR-015/60/405	perno regolazione			
32	RZR-36/G/40	vite			
33	RZR-62/F/8	rondella			
34	RZR-015/60/094	pistone			
35	RZR-015/60/057	spina			
36	RZR-2/M/14	vite			
37	RZR-015/60/093	supporto sinistro			
38	RZR-59/C/10	dado			
39	RZR-015/60/090	perno			

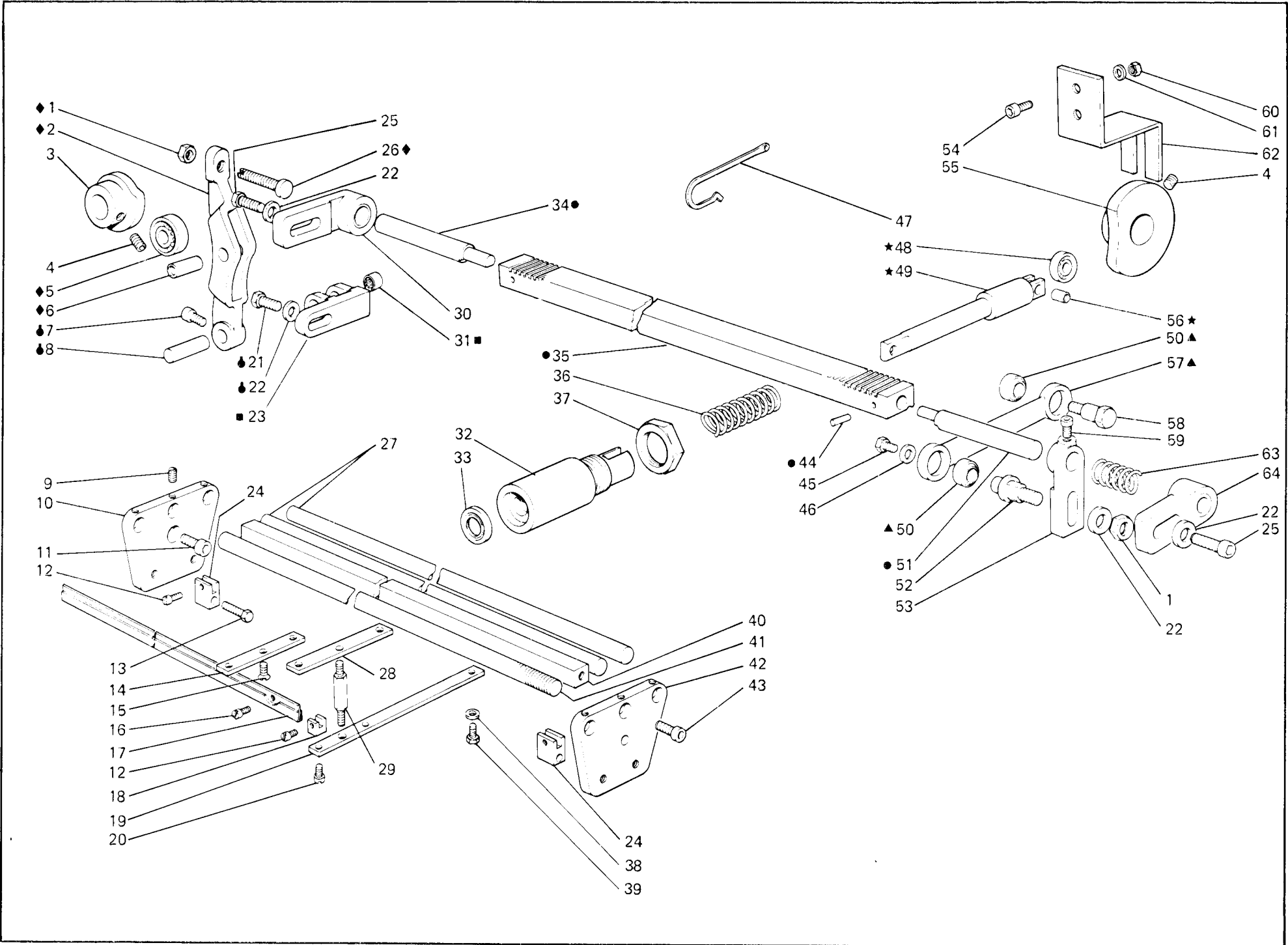


Fig. N. Abb. N.	Part. N. Bestell N. Piece N. Pieza N.	DESCRIZIONE	Fig. N. Abb. N.	Part. N. Bestell N. Piece N. Pieza N.	DESCRIZIONE
◆	RZR-GG135/80/5277	gruppo supporto leva barra passette	38	RZR-62/D/6	rondella
◆	RZR-G135/80/5277	leva barra passette completa	39	RZR-36/F/10	vite
■	RZR-G015/80/4580	supporto leva barra passette completa	40	RZR-015/100/511	piatto divisione fili (1000)
★	RZR-G015/80/4584	pistone cannotto completo	41	RZR-020/80/772	vite divisione fili (800)
▲	RZR-G015/60/263	braccio rotazione completo	41	RZR-040/100/1018	vite divisione fili (1000)
●	RZR-G010/80/4589	barra passette completa (800)	42	RZR-135/80/5284	piastra destra (800)
●	RZR-G010/100/4590	barra passette completa (1000)	42	RZR-135/100/5684	piastra destra (1000)
1	RZR-51/H/8	dado	43	RZR-2/D/20	vite
2	RZR-135/80/5277	leva barra passette	44	RZR-8/B/20	spina
3	RZR-010/80/4594	camme	45	RZR-36/E/10	vite
4	RZR-3/E/8	vite	46	RZR-14/B/5	rondella
5	RZR-4/E/12	cuscinetto	47	RZR-020/60/684	passetta
6	RZR-135/80/5278	perno	48	RZR-4/D/10	cuscinetto
7	RZR-2/B/10	vite	49	RZR-015/80/4584	pistone
8	RZR-015/60/174	perno	50	RZR-015/60/165	boccola
9	RZR-16/G/8	vite	51	RZR-010/80/4591	perno destro
10	RZR-135/80/5283	piastra sinistra (800)	52	RZR-015/60/169	perno
10	RZR-135/100/5683	piastra sinistra (1000)	53	RZR-135/80/5270	leva
11	RZR-2/D/16	vite	54	RZR-36/E/20	vite
12	RZR-1/E/5	vite	55	RZR-020/80/2570	camme
13	RZR-36/F/25	vite	56	RZR-015/60/125	perno
14	RZR-015/80/394	piastrina (800)	57	RZR-015/60/263	braccio rotazione
15	RZR-26/F/10	vite	58	RZR-40/C/8	perno filettato
16	RZR-1/D/5	vite	59	RZR-2/D/10	vite
17	RZR-G015/80/413	arresto inferiore (800)	60	RZR-51/F/5	dado
17	RZR-G040/100/1030	arresto inferiore (1000)	61	RZR-62/C/5	rondella
18	RZR-040/100/1020	cavallotto centrale (1000)	62	RZR-015/80/4588	protezione
19	RZR-015/100/525	piattina (1000)	63	RZR-135/80/5281	molla
20	RZR-1/E/8	vite	64	RZR-P135/80/5276	supporto destro
21	RZR-36/G/30	vite			
22	RZR-62/F/8	rondella			
23	RZR-015/80/4580	supporto			
24	RZR-015/60/264	cavallotto			
25	RZR-36/G/25	vite			
26	RZR-015/60/176	vite regolazione			
27	RZR-015/80/362	asta divisione fili (800)			
27	RZR-040/100/1016	asta divisione fili (1000)			
28	RZR-040/100/1017	piattina (1000)			
29	RZR-040/100/1019	perno filettato (1000)			
30	RZR-P135/80/5275	supporto sinistro			
31	RZR-31/C/10	cuscinetto a rullini			
32	RZR-015/80/4583	canotto			
33	RZR-12/B/16	anello di tenuta			
34	RZR-010/80/4592	perno sinistro			
35	RZR-010/80/4589	barra passette (800)			
35	RZR-010/100/4590	barra passette (1000)			
36	RZR-015/60/069	molla			
37	RZR-015/60/156	ghiera			

Fig. N. Abb. N.	Part. N. Bestell N. Piece N. Pieza N.	DESCRIZIONE	Fig. N. Abb. N.	Part. N. Bestell N. Piece N. Pieza N.	DESCRIZIONE
1	RZR-2/D/16	vite			
2	RZR-135/80/5340	piastrina			
3	RZR-26/H/15	vite			
4	RZR-P015/60/067	leva sinistra			
5	RZR-015/60/243	distanziale			
6	RZR-62/F/8	rondella			
7	RZR-51/H/8	dado			
8	RZR-135/80/5334	perno			
9	RZR-26/L/25	vite			
10	RZR-015/60/230	molla			
11	RZR-015/60/8689	piastrina			
12	RZR-015/60/248	tenditore			
13	RZR-135/80/5335	sostegno			
14	RZR-015/60/247	pomello			
15	RZR-1/G/6	vite			
16	RZR-135/80/5339	asta rinvio tessuto (800)			
16	RZR-135/100/5705	asta rinvio tessuto (1000)			
17	RZR-015/60/245	anello			
18	RZR-13/B/10	perno filettato			
19	RZR-015/60/249	pomolo			
20	RZR-P015/60/244	levetta			
21	RZR-015/60/8688	microcontatto			
22	RZR-P015/80/398	rullo superiore (800)			
22	RZR-P040/100/1042	rullo superiore (1000)			
23	RZR-1/E/25	vite			
24	RZR-2/B/10	vite			
25	RZR-P015/60/241	leva destra			

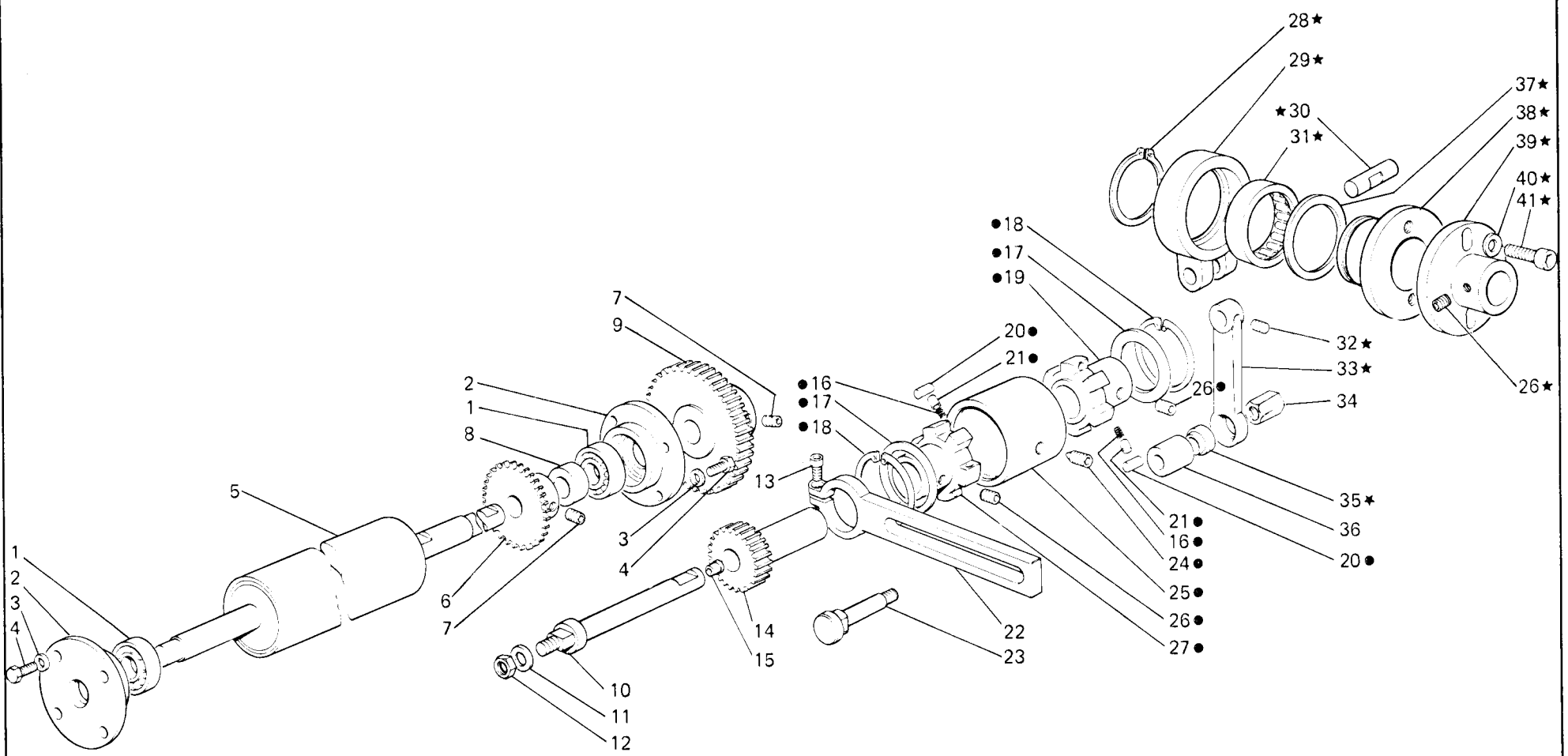


Fig. N. Abb. N.	Part. N. Bestell N. Piece N. Pieza N.	DESCRIZIONE	Fig. N. Abb. N.	Part. N. Bestell N. Piece N. Pieza N.	DESCRIZIONE
★	RZR-G020/80/2590	braccio di biella completa			
●	RZR-G015/80/4639	scatto tiraggio completo			
1	RZR-4/F/15	cuscinetto			
2	RZR-135/80/5330	copricuscinetto			
3	RZR-62/D/6	rondella			
4	RZR-36/F/15	vite			
5	RZR-135/80/5332	rullo inferiore (800)			
5	RZR-135/100/5700	rullo inferiore (1000)			
6	RZR-015/60/7848	ingranaggio			
7	RZR-3/D/10	vite			
8	RZR-015/60/243	distanziale			
9	RZR-135/80/5329	ingranaggio			
10	RZR-135/80/5328	perno centrale			
11	RZR-62/G/10	rondella			
12	RZR-51/L/10	dado			
13	RZR-2/C/25	vite			
14	RZR-P010/80/4648	pignone			
15	RZR-015/60/037	oliatore a sfera			
16	RZR-015/60/047	molletta			
17	RZR-60/S/30	anello			
18	RZR-18/P/50	anello di fermo			
19	RZR-015/80/4635	interno fisso per scatto			
20	RZR-015/80/4638	rullino			
21	RZR-015/60/046	capsula			
22	RZR-020/80/2594	leva			
23	RZR-135/80/5324	perno			
24	RZR-21/D/15	vite			
25	RZR-015/80/4639	boccola			
26	RZR-3/D/8	vite			
27	RZR-P015/80/4636	interno mobile per scatto			
28	RZR-7/M/45	anello di fermo			
29	RZR-020/80/2592	biella			
30	RZR-015/60/174	perno			
31	RZR-15/R/55	gabbia a rullini			
32	RZR-16/F/6	vite			
33	RZR-135/80/5322	braccio			
34	RZR-135/80/5323	dado			
35	RZR-015/60/165	boccola			
36	RZR-135/80/5325	bussola distanziale			
37	RZR-60/V/50	anello di rasamento			
38	RZR-020/80/2591	eccentrico			
39	RZR-020/80/2593	flangia regolazione			
40	RZR-14/C/6	rondella			
41	RZR-2/C/14	vite			

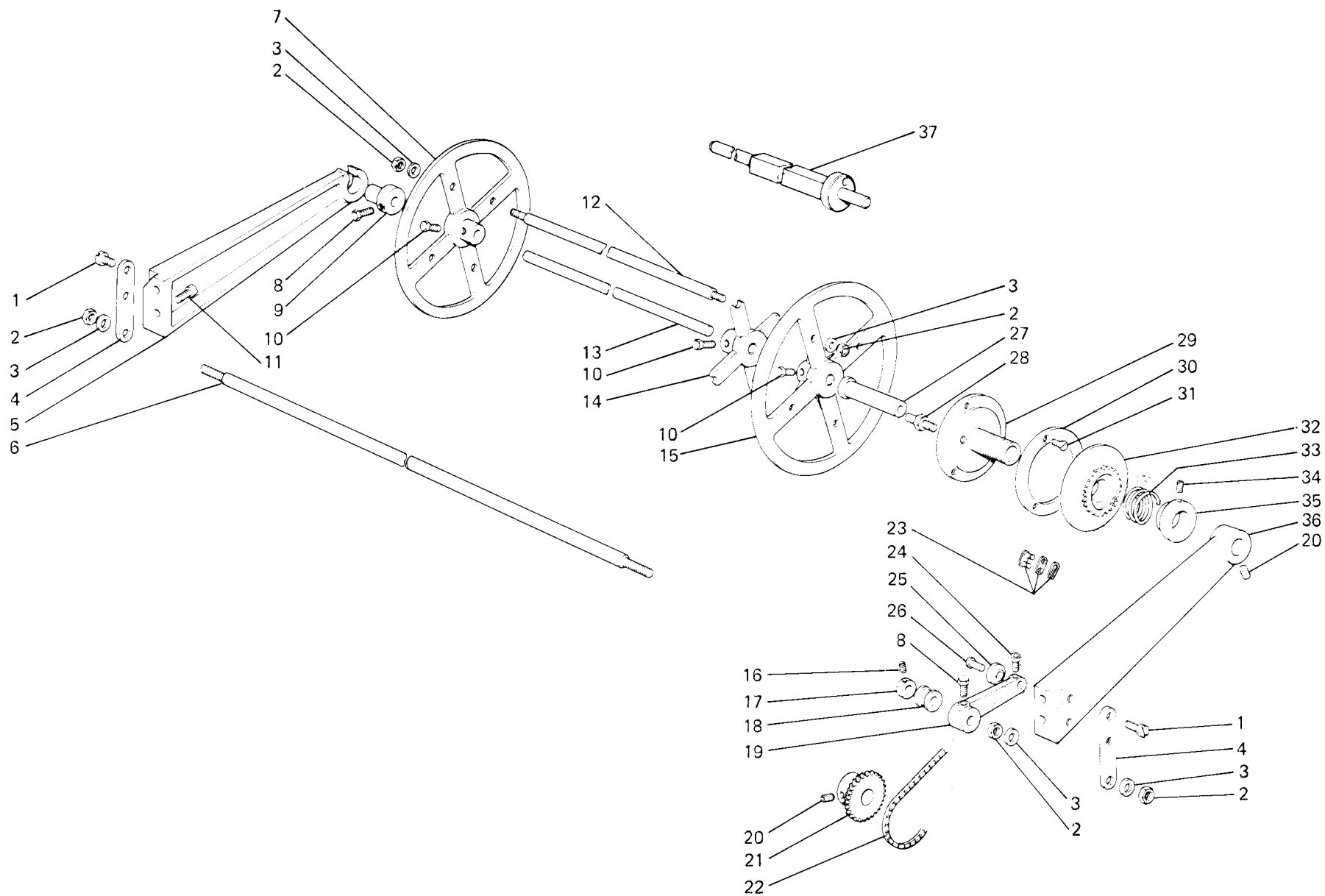


Fig. N. Abb. N.	Part. N. Bestell N. Piece N. Pieza N.	DESCRIZIONE	Fig. N. Abb. N.	Part. N. Bestell N. Piece N. Pieza N.	DESCRIZIONE
—	RZR-G015/80/374	aspo completo (escluso fig. 37) (800)			
—	RZR-G040/100/1067	aspo completo (escluso fig. 37) (1000)			
1	RZR-1/G/10	vite			
2	RZR-51/H/8	dado			
3	RZR-62/F/8	rondella			
4	RZR-015/60/210	piastrina			
5	RZR-015/60/234	supporto sinistro			
6	RZR-015/80/370	asta (800)			
6	RZR-040/100/1068	asta (1000)			
7	RZR-015/60/279	flangia sinistra (800)			
7	RZR-040/100/1079	flangia sinistra (1000)			
8	RZR-36/G/20	vite			
9	RZR-015/60/212	bussola			
10	RZR-36/F/10	vite			
11	RZR-2/D/20	vite			
12	RZR-015/80/373	asta (800)			
12	RZR-040/100/1066	asta (1000)			
13	RZR-015/80/374	asta centrale (800)			
13	RZR-040/100/1067	asta centrale (1000)			
14	RZR-015/60/278	flangia centrale (800)			
14	RZR-040/100/1078	flangia centrale (1000)			
15	RZR-015/60/280	flangia destra (800)			
15	RZR-040/100/1077	flangia destra (1000)			
16	RZR-16/G/6	vite			
17	RZR-015/60/211	anello			
18	RZR-015/60/214	galoppino			
19	RZR-125/80/5350	supporto			
20	RZR-3/D/10	vite			
21	RZR-015/60/7848	ingranaggio conduttore			
22	RZR-125/80/5351	catena			
23	RZR-G035/60/846	giunzione catena			
24	RZR-2/B/10	vite			
25	RZR-015/60/9507	rullino tendicatena			
26	RZR-015/60/9518	pernetto			
27	RZR-G015/60/217	perno frizione			
28	RZR-015/60/223	perno trascinatore			
29	RZR-015/60/302	flangia frizione			
30	RZR-015/60/304	anello frizione			
31	RZR-26/F/10	vite			
32	RZR-P082/150/2379	ingranaggio			
33	RZR-015/60/277	molla			
34	RZR-16/G/10	vite			
35	RZR-015/60/222	anello regolazione frizione			
36	RZR-015/60/235	supporto destro			
		<u>SOLO A RICHIESTA</u>			
37	RZR-P015/80/391	asta (800)			
37	RZR-P040/100/1085	asta (1000)			

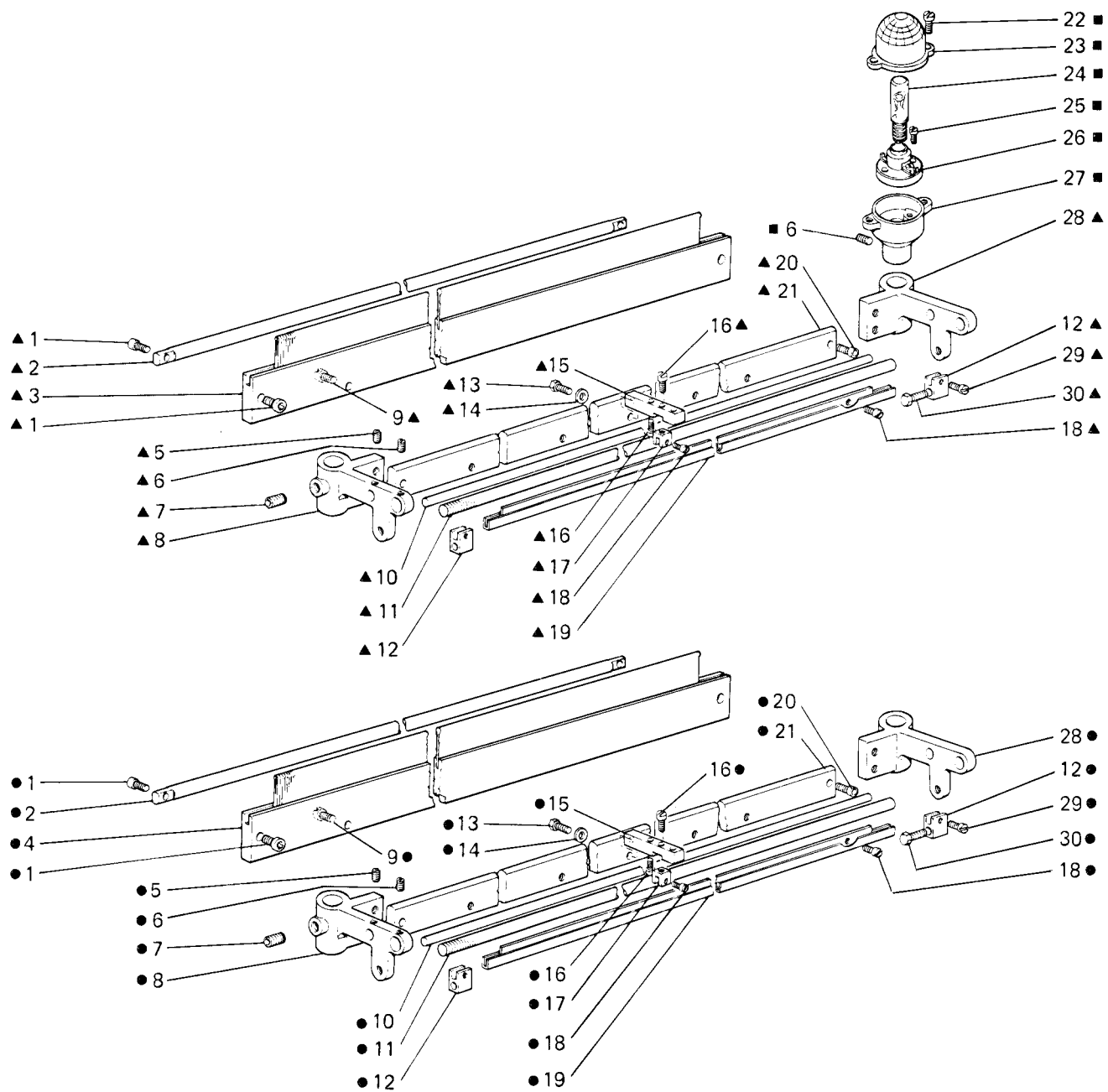


Fig. N. Abb. N.	Part. N. Bestell N. Piece N. Pieza N.	DESCRIZIONE	Fig. N. Abb. N.	Part. N. Bestell N. Piece N. Pieza N.	DESCRIZIONE
■	RZR-G135/80/5480	lampada spia completa			
●	RZR-G010/80/4646	pettine trama completo fin. 10 (800)			
●	RZR-G010/100/4647	pettine trama completo fin. 10 (1000)			
▲	RZR-G010/80/4652	pettine trama completo fin. 5 (800)			
▲	RZR-G010/100/4653	pettine trama completo fin. 5 (1000)			
1	RZR-2/B/12	vite			
2	RZR-135/80/5377	asta rinvio fili (800)			
3	RZR-020/80/2553	pettine aperto fin. 5 (800)			
3	RZR-020/100/2557	pettine aperto fin. 5 (1000)			
4	RZR-020/80/2551	pettine aperto fin. 10 (800)			
4	RZR-020/100/2556	pettine aperto fin. 10 (1000)			
5	RZR-16/G/8	vite			
6	RZR-16/G/6	vite			
7	RZR-3/D/10	vite			
8	RZR-135/80/5374	supporto sinistro			
9	RZR-1/G/10	vite			
10	RZR-015/80/380	asta per pettine (800)			
10	RZR-135/100/5763	asta per pettine (1000)			
11	RZR-010/80/4613	asta rinvio fili (800)			
11	RZR-010/100/4614	asta rinvio fili (1000)			
12	RZR-015/60/264	cavallotto			
13	RZR-36/F/20	vite			
14	RZR-62/D/6	rondella			
15	RZR-015/100/524	blocchetto			
16	RZR-1/E/15	vite			
17	RZR-040/100/1020	cavallotto centrale			
18	RZR-1/D/5	vite			
19	RZR-G135/80/5381	comando arresto (800)			
19	RZR-G135/100/5754	comando arresto (1000)			
20	RZR-2/B/15	vite			
21	RZR-015/100/521	asta porta pettine			
22	RZR-1/E/10	vite			
23	RZR-135/80/5482	calotta			
24	RZR-015/60/8681	lampada			
25	RZR-1/C/10	vite			
26	RZR-135/80/5481	porta lampada			
27	RZR-135/80/5480	corpo porta lampada			
28	RZR-135/80/5375	supporto destro			
29	RZR-1/E/5	vite			
30	RZR-36/F/25	vite			

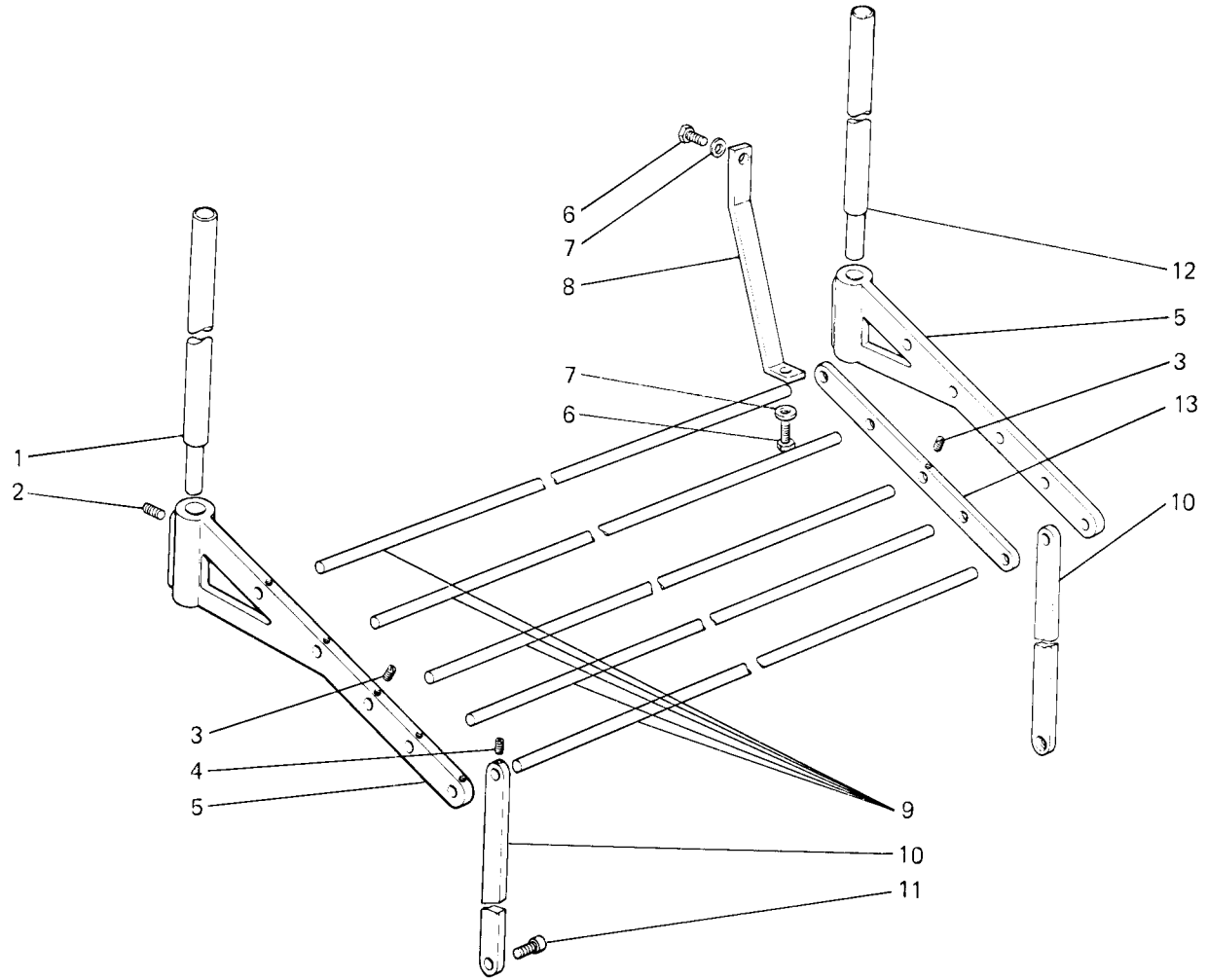


Fig. N. Abb. N.	Part. N. Bestell N. Piece N. Pieza N.	DESCRIZIONE	Fig. N. Abb. N.	Part. N. Bestell N. Piece N. Pieza N.	DESCRIZIONE
1	RZR-135/80/5372	piantana sinistra			
2	RZR-3/D/10	vite			
3	RZR-16/G/6	vite			
4	RZR-16/F/6	vite			
5	RZR-135/80/5376	supporto aste (800)			
5	RZR-135/100/5750	supporto aste (1000)			
6	RZR-36/F/15	vite			
7	RZR-62/D/6	rondella			
8	RZR-135/100/5757	piattina supporto			
9	RZR-015/80/380	asta divisione fili (800)			
9	RZR-040/100/1004	asta divisione fili (1000)			
10	RZR-135/80/5388	asta rinforzo (800)			
10	RZR-135/100/5762	asta rinforzo (1000)			
11	RZR-2/C/25	vite			
12	RZR-135/80/5371	piantana destra			
13	RZR-135/100/5756	supporto centrale			

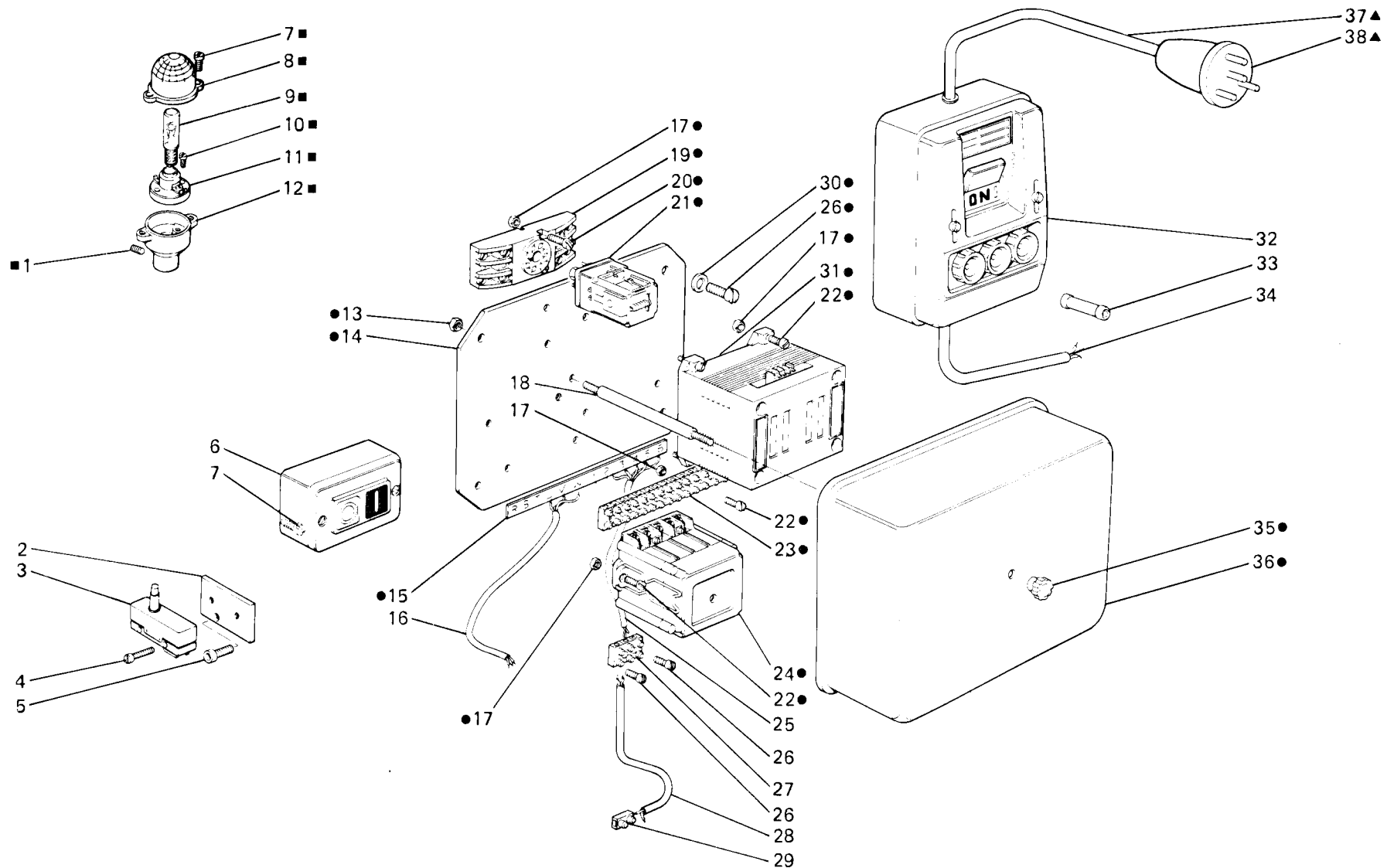
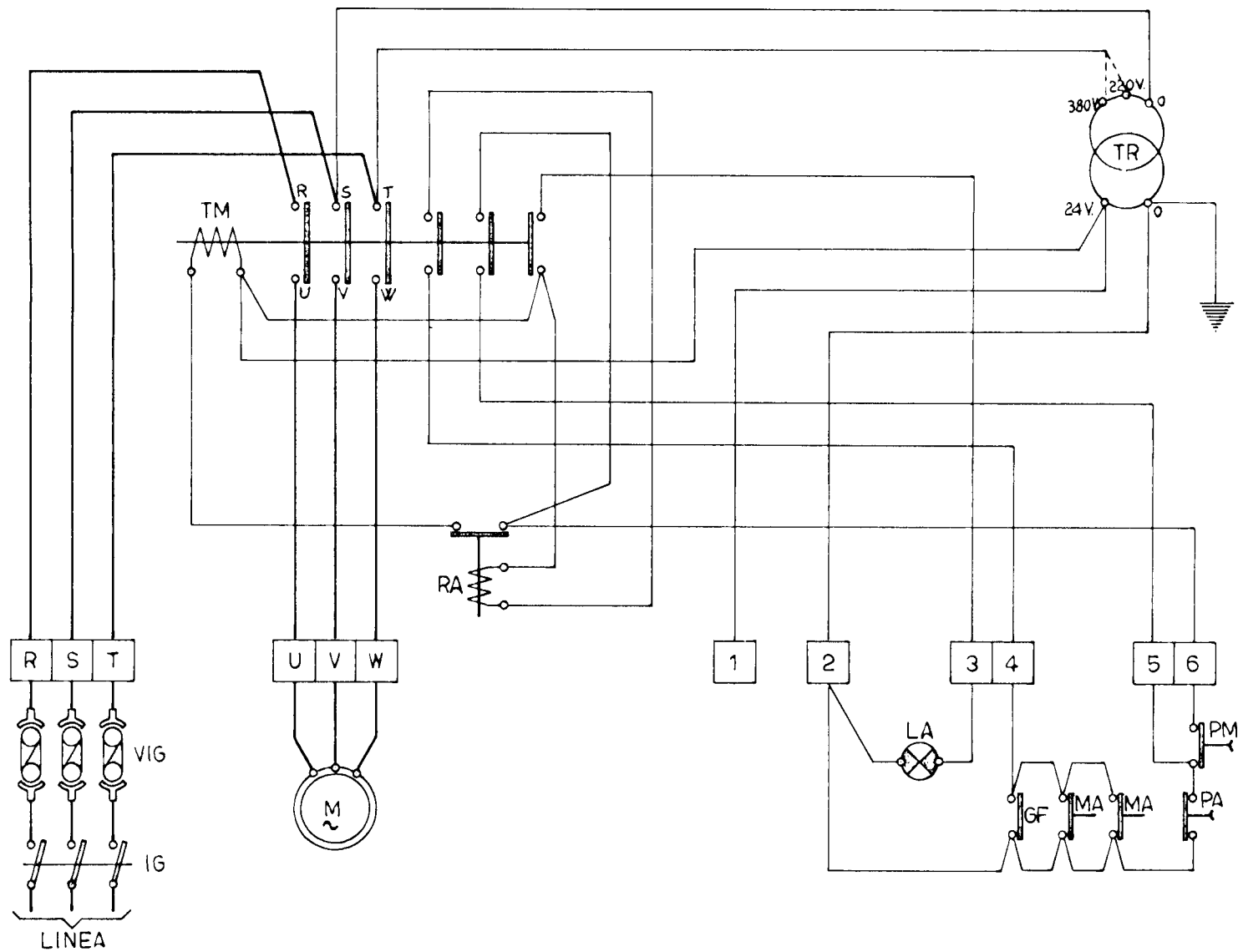


Fig. N. Abb. N.	Part. N. Bestell N. Piece N. Pieza N.	DESCRIZIONE	Fig. N. Abb. N.	Part. N. Bestell N. Piece N. Pieza N.	DESCRIZIONE
●	RZR-G015/80/4770	scatola elettrica completa			
■	RZR-G135/80/5480	lampada spia completa			
▲	RZR-G015/60/145	cavo completo di spina			
1	RZR-16/G/6	vite			
2	RZR-015/60/8689	piastrina			
3	RZR-015/60/8688	microcontatto			
4	RZR-1/E/25	vite			
5	RZR-2/B/15	vite			
6	RZR-015/60/158	pulsante marcia-arresto			
7	RZR-1/E/10	vite			
8	RZR-135/80/5482	calotta			
9	RZR-015/60/8681	lampada spia			
10	RZR-1/C/10	vite			
11	RZR-135/80/5481	porta lampada			
12	RZR-135/80/5480	corpo porta lampada			
13	RZR-51/F/5	dado			
14	RZR-P015/80/4770	piastra scatola elettrica			
15	RZR-015/60/240	piastrina basetta			
16	RZR-135/80/5478	cavo elettrico collegamento motore			
17	RZR-51/B/3	dado			
18	RZR-015/80/4771	perno fissaggio coperchio			
19	RZR-015/80/4773	zoccolo relé			
20	RZR-1/C/20	vite			
21	RZR-015/60/182	relé			
22	RZR-1/C/15	vite			
23	RZR-015/60/196	basetta			
24	RZR-015/60/195	teleruttore			
25	RZR-135/80/5479	cavo elettrico collegamento pulsante			
26	RZR-1/E/15	vite			
27	RZR-135/80/5483	morsetto			
28	RZR-135/80/5485	cavo elettrico collegamento lampade			
29	RZR-135/80/5484	morsetto			
30	RZR-62/A/4	rondella			
31	RZR-015/80/4772	trasformatore			
32	RZR-135/80/5474	interruttore generale			
33	RZR-135/80/5475	valvola interruttore			
34	RZR-135/80/5477	cavo elettrico collegamento interruttore			
35	RZR-015/60/068	ghiera			
36	RZR-015/60/164	coperchio scatola			
37	RZR-015/60/145	cavo alimentazione			
38	RZR-015/60/200	spina trifase			



RIF.	DESCRIZIONE
GF	Arresti guardiafilii
IG	Interruttore generale
LA	Lampada spia arresto macchina
M	Motore
MA	Microinterruttori di arresti sui rulli del tiraggio
PA	Pulsante arresto
PM	Pulsante marcia
RA	Relé arresti
TM	Teleruttore motore
TR	Trasformatore
VIG	Valvole interruttore generale

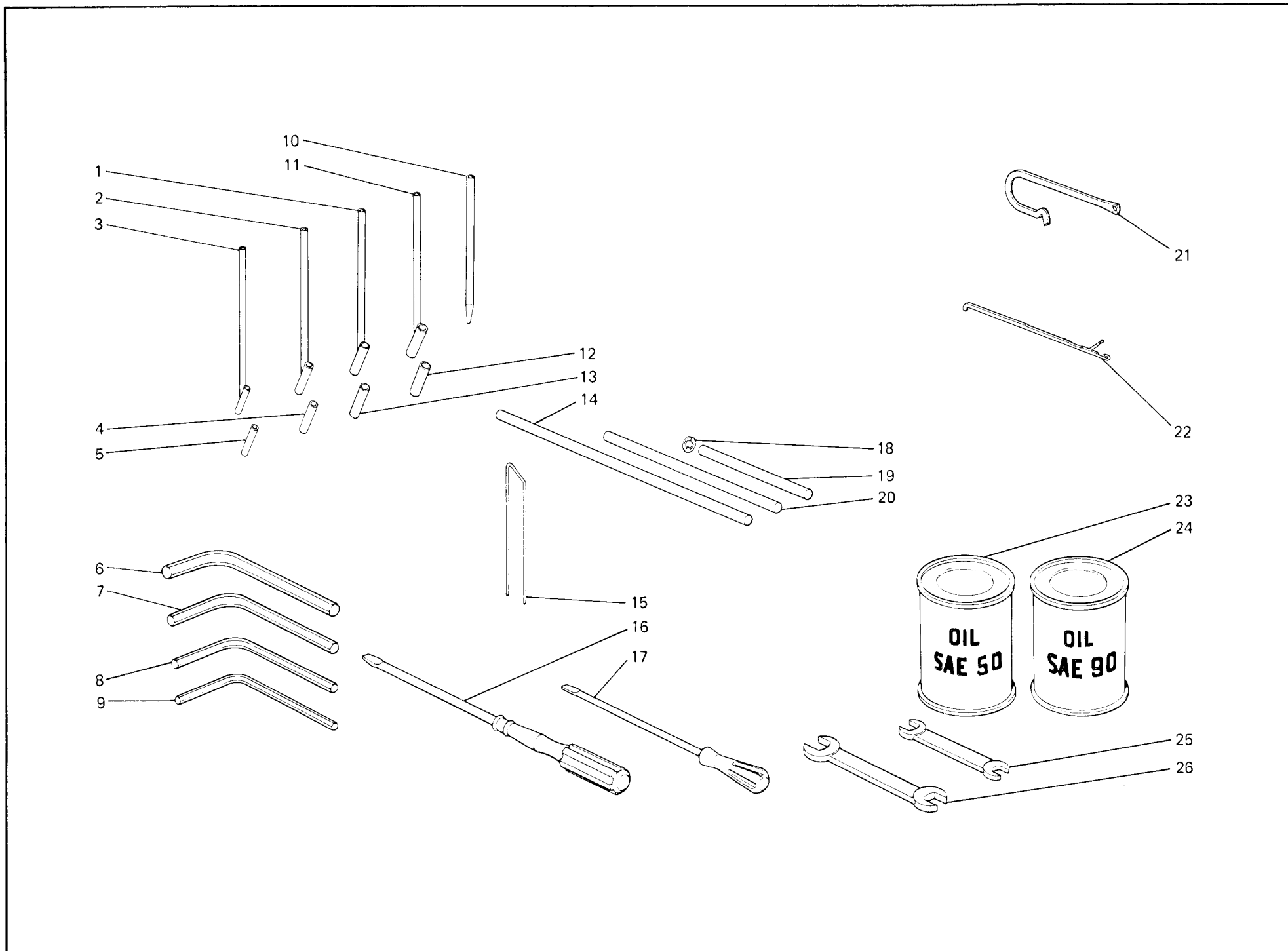


Fig. N. Abb. N.	Part. N. Bestell N. Piece N. Pieza N.	DESCRIZIONE	Fig. N. Abb. N.	Part. N. Bestell N. Piece N. Pieza N.	DESCRIZIONE
1	RZR-P020/80/2707	guidafilo completo mm. 5			
2	RZR-P020/80/2706	guidafilo completo mm. 4			
3	RZR-P020/80/2705	guidafilo completo mm. 3			
4	RZR-020/60/612	tubetto guidafilo mm. 4			
5	RZR-020/60/611	tubetto guidafilo mm. 3			
6	RZR-015/60/573	chiave esagonale da 6			
7	RZR-015/60/572	chiave esagonale da 5			
8	RZR-015/60/571	chiave esagonale da 4			
9	RZR-015/60/570	chiave esagonale da 3			
10	RZR-020/80/2704	gambo per tubetto			
11	RZR-P020/80/2708	guidafilo completo mm. 6			
12	RZR-020/60/614	tubetto guidafilo mm. 6			
13	RZR-020/60/613	tubetto guidafilo mm. 5			
14	RZR-015/60/153	perno glider a 6 file			
15	RZR-015/60/257	cavaliere pesante			
16	RZR-015/60/577	cacciavite da 6			
17	RZR-015/60/576	cacciavite da 3			
18	RZR-7/A/4	anello di fermo			
19	RZR-015/60/344	perno glider a 3 file			
20	RZR-015/60/345	perno glider a 4 file			
21	RZR-020/60/684	passetta			
22	RZR-020/60/683	ago			
23	RZR-015/60/579	lattina olio SAE 50 lt. 1			
24	RZR-015/60/580	lattina olio SAE 90 lt. 1			
25	RZR-015/60/574	chiave fissa 8-10			
26	RZR-015/60/575	chiave fissa 13-17			

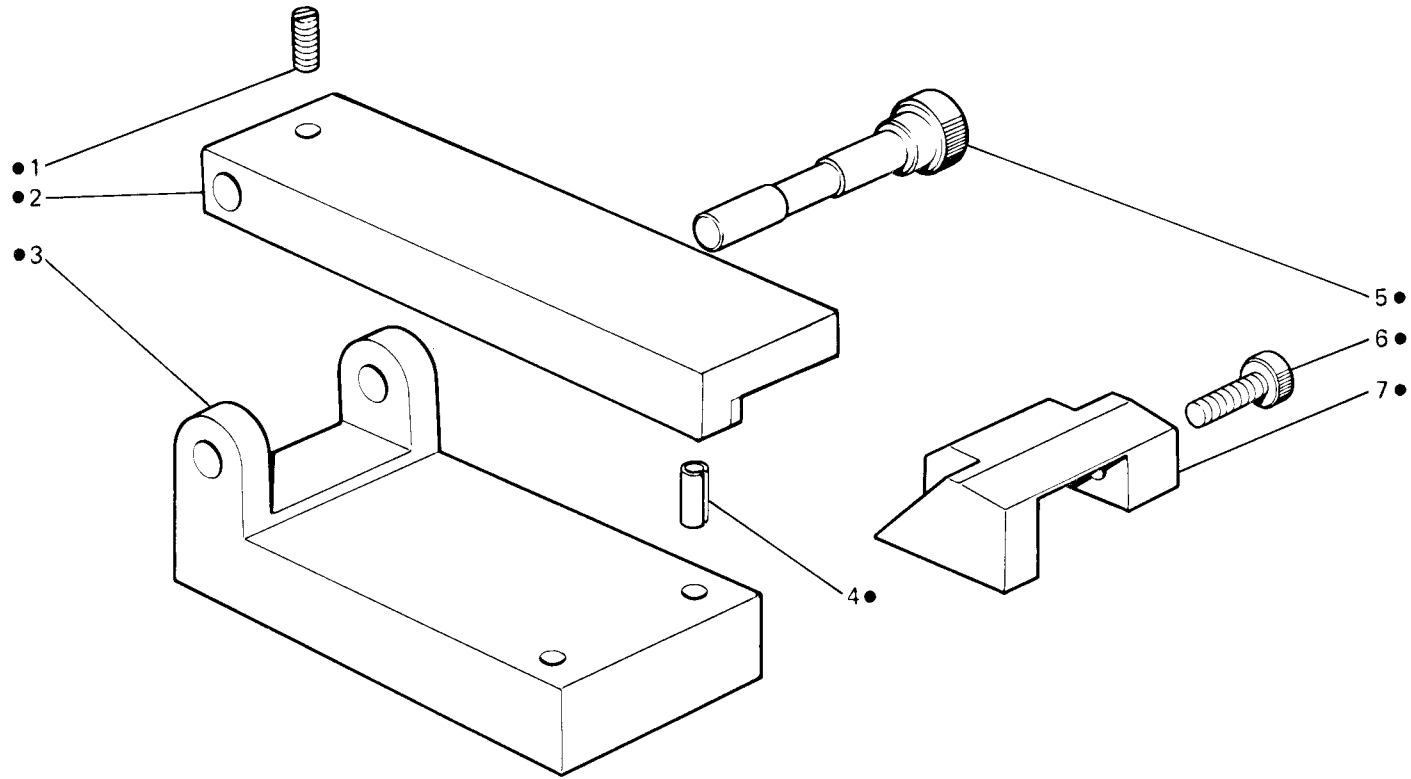


Fig. N. Abb. N.	Part. N. Bestell N. Piece N. Pieza N.	DESCRIZIONE	Fig. N. Abb. N.	Part. N. Bestell N. Piece N. Pieza N.	DESCRIZIONE
● 1 2 3 4 5 6 7	RZR-G040/100/9066 RZR-16/F/4 RZR-040/100/9066 RZR-015/60/9060 RZR-8/C/26 RZR-015/60/9062 RZR-015/60/9077 RZR-015/60/9076	attrezzo per glider vite staffa serraggio blocchetto porta glider spina elastica perno pomolo corsoio			

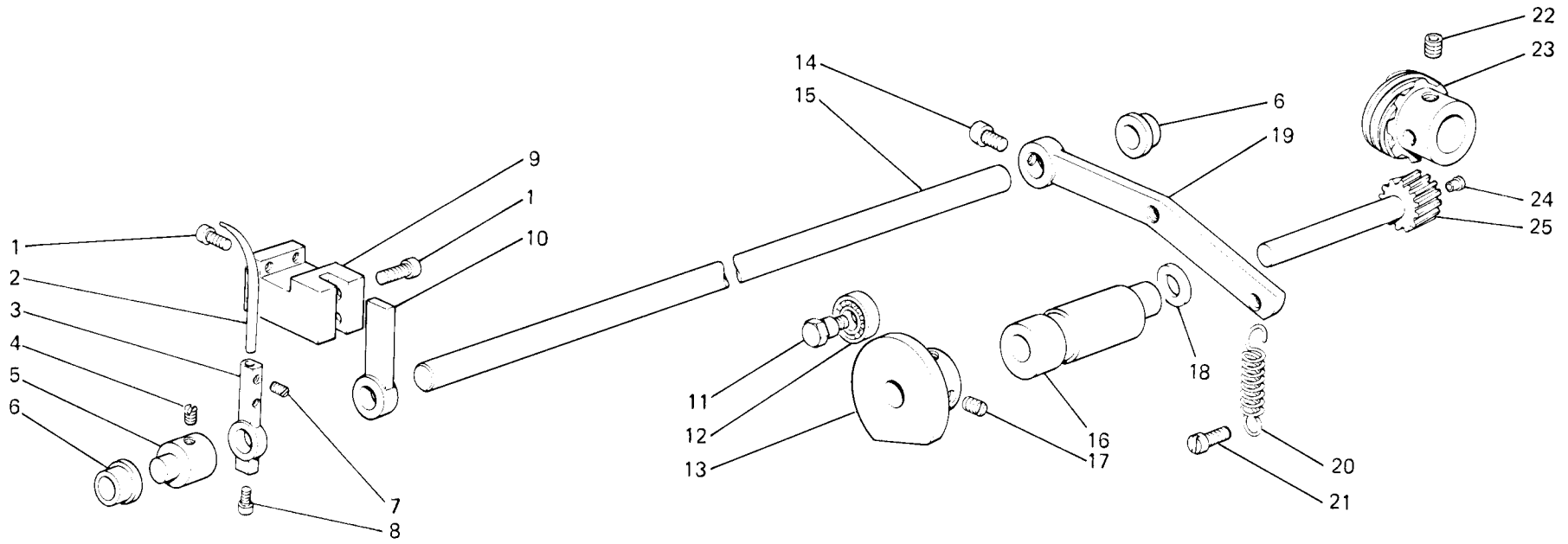


Fig. N. Abb. N.	Part. N. Bestell N. Piece N. Pieza N.	DESCRIZIONE	Fig. N. Abb. N.	Part. N. Bestell N. Piece N. Pieza N.	DESCRIZIONE
—	RZR-PICHER	gruppo picher (escluso fig. 6) (800)			
—	RZR-PICHER	gruppo picher (escluso fig. 6) (1000)			
1	RZR-2/B/15	vite			
2	RZR-040/100/8313	punta			
3	RZR-020/60/610	supporto			
4	RZR-16/F/4	vite			
5	RZR-015/60/8310	bussola			
6	RZR-135/80/5088	bronzina			
7	RZR-16/D/5	vite			
8	RZR-2/A/10	vite			
9	RZR-015/60/8316	blocchetto			
10	RZR-015/60/8315	supporto			
11	RZR-40/G/5,5	vite			
12	RZR-4/A/8	cuscinetto			
13	RZR-015/60/8318	camma			
14	RZR-2/B/10	vite			
15	RZR-015/60/8312	asta (800)			
15	RZR-040/100/8314	asta (1000)			
16	RZR-135/80/8323	eccentrico			
17	RZR-16/G/8	vite			
18	RZR-135/80/8324	distanziale			
19	RZR-015/60/8300	leva			
20	RZR-015/60/8360	molla			
21	RZR-1/E/10	vite			
22	RZR-3/E/8	vite			
23	RZR-015/60/8321	vite senza fine			
24	RZR-015/60/037	oliatore a sfera			
25	RZR-P135/80/8322	pignone con albero			

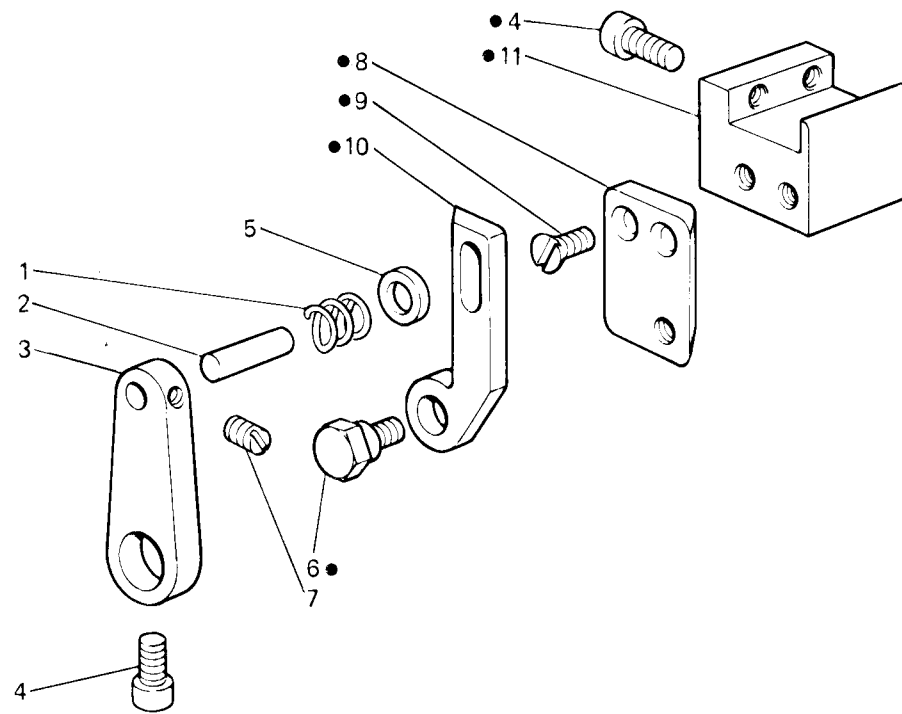


Fig. N. Abb. N.	Part. N. Bestell N. Piece N. Pieza N.	DESCRIZIONE	Fig. N. Abb. N.	Part. N. Bestell N. Piece N. Pieza N.	DESCRIZIONE
●	RZR-G020/60/8355	lama tagliafrange completo			
1	RZR-020/60/8361	molla			
2	RZR-020/60/8357	pernetto			
3	RZR-020/60/8359	biocchetto (800)			
3	RZR-020/100/8362	biocchetto (1000)			
4	RZR-2/A/10	vite			
5	RZR-14/A/4	rondella			
6	RZR-40/N/10	vite			
7	RZR-16/D/4	vite			
8	RZR-020/60/8355	lama fissa			
9	RZR-26/E/8	vite			
10	RZR-020/60/8354	lama mobile			
11	RZR-020/60/8356	supporto lama			

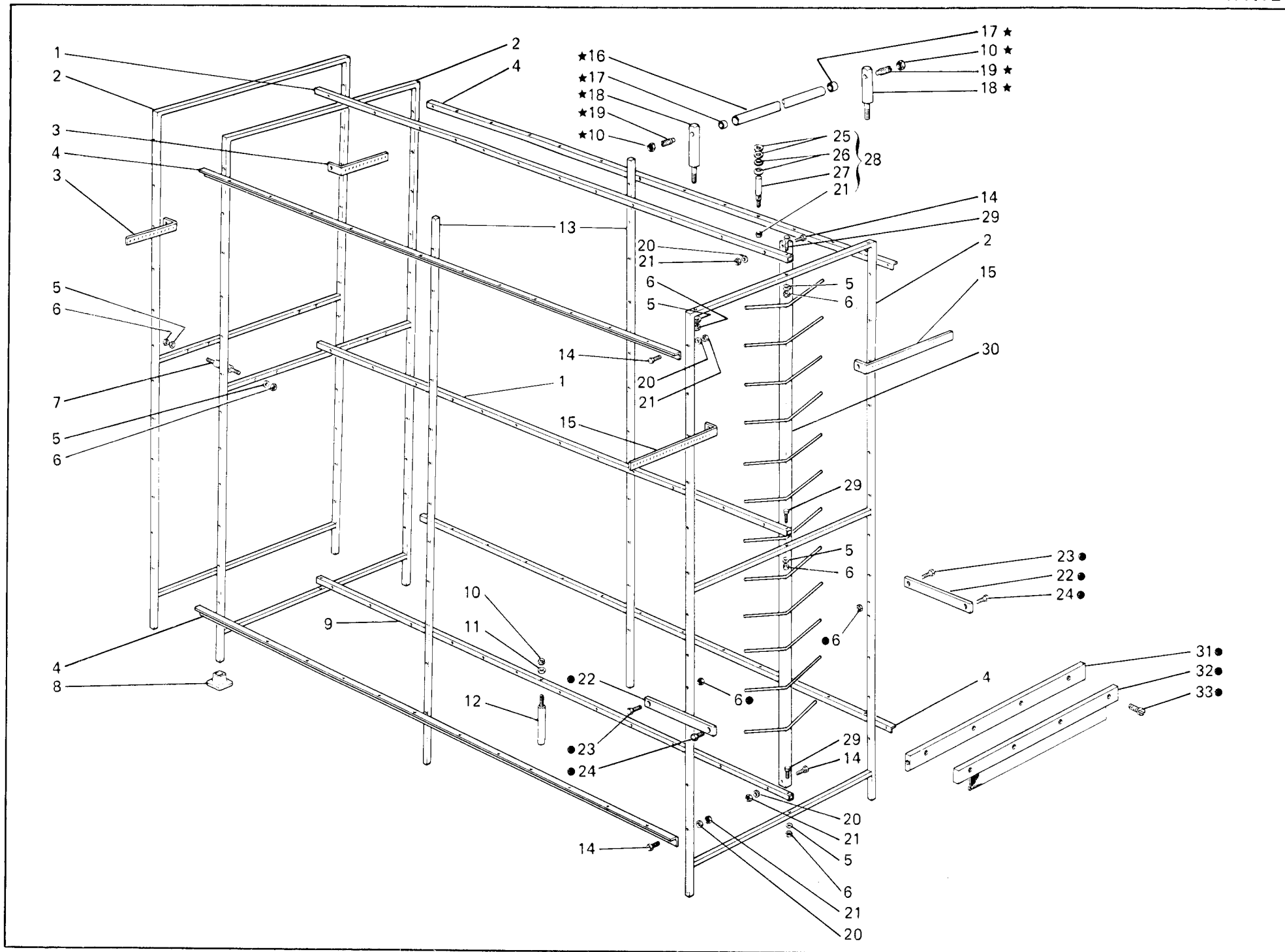


Fig. N. Abb. N.	Part. N. Bestell N. Piece N. Pieza N.	DESCRIZIONE	Fig. N. Abb. N.	Part. N. Bestell N. Piece N. Pieza N.	DESCRIZIONE
		<u>SOLO A RICHIESTA</u>			
—	RZR-12/MTN/288	cantra completa da 288 posti rocche			
—	RZR-12/MTN/576	cantra completa da 576 posti rocche			
●	RZR-G035/60/8809	pettine rinvio fili completo			
★	RZR-PEC	gruppo passaggio elastici			
1	RZR-015/60/7405	scatolato superiore e centrale			
2	RZR-015/60/7400	telaio			
3	RZR-015/60/7413	passafilo da 12 fori			
4	RZR-015/60/7402	angolare porta tensioni			
5	RZR-62/D/6	rondella			
6	RZR-51/G/6	dado			
7	RZR-040/100/8851	tirante unione cantre			
8	RZR-015/60/7410	pedino			
9	RZR-015/60/7406	scatolato inferiore			
10	RZR-51/H/8	dado			
11	RZR-62/F/8	rondella			
12	RZR-015/60/7508	sostegno centrale			
13	RZR-015/60/7407	scatolato sostegno centrale			
14	RZR-36/E/30	vite			
15	RZR-015/60/7414	passafilo da 24 fori			
16	RZR-015/60/8166	asta ruotante			
17	RZR-4/S/5	cuscinetto			
18	RZR-015/60/8142	sostegno			
19	RZR-015/60/8044	vite			
20	RZR-62/C/5	rondella			
21	RZR-51/F/5	dado			
22	RZR-035/60/8807	listello			
23	RZR-36/F/40	vite			
24	RZR-36/F/20	vite			
25	RZR-14/G/10	rondella			
26	RZR-035/60/8806	piattello tensione			
27	RZR-015/60/8261	perno tensione			
28	RZR-G015/60/8261	tensione completa			
29	RZR-36/F/50	vite			
30	RZR-P015/60/7509	angolare porta coni			
31	RZR-015/60/7443	asta porta pettine			
32	RZR-020/80/2551	pettine rinvio fili			
33	RZR-1/G/10	vite			