

Rimoldi

CATALOGO PEZZI DI RICAMBIO
SPARE PARTS CATALOGUE
CATALOGUE RECHANGES
ERSATZTEILELISTE

COMEZ
SVE800—SVE1000

n. 181

652800620

UFFICIO CATALOGHI 7/77

Il presente Catalogo Pezzi di Ricambio é costituito dai particolari componenti le macchine SVE 800 - SVE 1000 e dai particolari componenti i dispositivi fornibili a richiesta.

Nella consultazione del Catalogo tenere presente che:

- 1 I particolari impiegati solo per la macchina SVE 800 sono contraddistinti dalla scritta (800) dopo la descrizione
- 2 I particolari impiegati solo per la macchina SVE 1000 sono contraddistinti dalla scritta (1000) dopo la descrizione
- 3 I particolari comuni non hanno alcun richiamo
- 4 Tutti i particolari non fornibili sciolti non vengono richiamati, ma soltanto illustrati nel gruppo di appartenenza
- 5 Tutti i particolari che variano in finezza, hanno il numero di riferimento e la descrizione ripetuti per ogni finezza fornibile (15 - 14 - 12 - 10)
- 6 I riferimenti delle figure dei particolari che compongono un gruppo sono di norma raggruppati in una parentesi. In alcuni casi però, dove non é possibile il raggruppamento, i numeri che nelle tavole illustrative richiamano i singoli pezzi sono affiancati dallo stesso segno particolare, con cui é indicato l'intero gruppo.

AVVERTENZA

Per facilitare la ricerca viene riportato l'indice numerico di tutti i particolari illustrati sul Catalogo, con la relativa tavola in cui gli stessi sono richiamati. Nella richiesta di parti di ricambio, citare sempre il modello ed il numero di matricola della macchina, il simbolo del particolare, la finezza e la denominazione ufficiale usata sul catalogo.

★ ★ ★ ★ ★

This Spare Parts Catalogue refers to parts for SVE 800 and SVE 1000 machines and parts for the devices that can be supplied on request.

When using the catalogue please bear in mind that:

- 1 The parts for SVE 800 machine only have (800) printed after the description
- 2 The parts for SVE 1000 machine only have (1000) printed after the description
- 3 Parts common to both machines are not differentiated
- 4 All the parts that are not supplied separately have no individual reference but are illustrated only in their relative assemblies
- 5 All parts that vary in gauge have the reference number and description repeated for each gauge that can be supplied (15 - 14 - 12 - 10)
- 6 References to illustrations of parts that form an assembly are usually grouped in brackets. In some cases, however, where grouping is impossible, the special sign that indicates the whole assembly is printed at the side of the number referring to the separate parts in the illustrated tables.

IMPORTANT

To facilitate its use, this catalogue contains a numerical index of all the parts illustrated, together with the table in which they are to be found. When ordering spares, always state the model and serial number of the machine, the reference number of the part required, the gauge and official description given in the catalogue.

★ ★ ★ ★ ★

Ce catalogue de pièces détachées concerne les pièces composant les machines SVE 800 et SVE 1000 ainsi que les pièces composant les dispositifs fournis sur demande.

Lors de la consultation de ce catalogue se rappeler que:

- 1 Les pièces utilisées seulement pour la machine SVE 800 sont suivies de l'inscription (800) après la description
- 2 Les pièces utilisées seulement pour la machine SVE 1000 sont suivies de l'inscription (1000) après la description
- 3 Les pièces communes à ces machines n'ont aucun renvoi
- 4 Les pièces qui ne sont pas fournies séparément ne sont pas citées, mais sont seulement illustrées dans le groupe auquel elles appartiennent
- 5 Toutes les pièces qui varient selon les jauges ont le numéro de référence et la description répétés pour chaque jauge fournie (15 - 14 - 12 - 10)
- 6 Les références des illustrations des pièces qui composent un groupe sont généralement regroupées entre parenthèses. Dans certains cas cependant, lorsque le regroupement n'est pas possible, les chiffres qui dans les tableaux illustratifs indiquent les pièces ont à côté un même signe particulier avec lequel tout le groupe est indiqué.

AVERTISSEMENT

Pour faciliter les recherches, nous donnons l'index numérique de toutes les pièces illustrées dans ce catalogue ainsi que le tableau où elles sont indiquées.

Lors des commandes de pièces détachées, il faut toujours citer le modèle et le numéro de matricule de la machine, le symbole de la pièce, la jauge et la dénomination officielle utilisée dans le catalogue.

Part. N.	Tav. N.	Part. N.	Tav. N.	Part. N.	Tav. N.	Part. N.	Tav. N.	Part. N.	Tav. N.
RZR-BPE	26	RZR-1/D/5	9-13-22-23	RZR-40/C/8	9	RZR-16/F/12	5	RZR-1/E/25	10-16
RZR-BT	27	RZR-1/E/5	1-9-13-22	RZR-40/P/8	20	RZR-32/E/12	6	RZR-2/C/25	11-14-22
RZR-6/P	25	RZR-4/S/5	21-22-23	RZR-51/H/8	7-8-9-10	RZR-59/E/12	8	RZR-2/D/25	6-8-20-25
RZR-PEC	21-23	RZR-14/B/5	9-20		12-20-21-22	RZR-60/C/12	8	RZR-4/L/25	3-4
RZR-PICHER	15	RZR-16/D/5	15		23-24	RZR-58/B/13	2	RZR-9/B/25	4
RZR-REF	24	RZR-16/F/5	24	RZR-62/F/8	2-3-4-5-6-7-8	RZR-1/G/14	8	RZR-12/E/25	3
RZR-SM	23	RZR-16/G/5	2-6		9-10-12-20	RZR-2/C/14	1-2-3-8-11	RZR-26/L/25	10
RZR-TO	1	RZR-51/F/5	5-7-8-9-16		21-22-24-25		23	RZR-36/F/25	8-9-13-23-24
RZR-TR	20		21-23	RZR-1/C/10	13-16	RZR-2/M/14	8	RZR-36/G/25	2-3-5-9-20
RZR-015/60/010	7-24-26-27	RZR-60/B/5	4	RZR-1/E/10	13-15-16	RZR-40/B/14	22		25
RZR-015/60/021	2	RZR-62/C/5	5-8-9-21-22	RZR-1/G/10	1-5-12-13-20	RZR-1/C/15	16	RZR-36/H/25	1
RZR-015/60/035	2		23-26-27		21-22	RZR-1/E/15	13-16	RZR-36/R/25	7-26-27
RZR-015/60/036	2	RZR-40/G/5,5	15	RZR-1/H/10	6-24-25	RZR-2/B/15	7-13-15-16	RZR-8/C/26	19
RZR-015/60/037	11-15-22	RZR-1/G/6	10	RZR-2/A/10	7-8-15		22	RZR-7/F/28	2
RZR-015/60/046	11	RZR-3/D/6	2-7-20-26-27	RZR-2/B/10	7-8-9-10	RZR-3/D/15	4	RZR-2/B/30	24
RZR-015/60/047	11	RZR-14/C/6	5-11		12-15-22-24	RZR-3/E/15	2-6-20-25	RZR-2/D/30	6
RZR-015/60/051	2	RZR-16/F/6	11-14	RZR-2/C/10	4-6-7-22-26	RZR-4/F/15	11-20-23-25	RZR-4/Q/30	11
RZR-015/60/055	7	RZR-16/G/6	1-2-12-13-14		27	RZR-4/G/15	5	RZR-7/H/30	11
RZR-015/60/057	6-8		16-22-24	RZR-2/D/10	9	RZR-21/D/15	11	RZR-20/D/30	8
RZR-015/60/060	3	RZR-50/D/6	22	RZR-3/D/10	3-7-11-12-13	RZR-26/F/15	1-4	RZR-20/E/30	6
RZR-015/60/066	23	RZR-51/G/6	2-7-8-20-21		14-22-23-25	RZR-26/H/15	10	RZR-36/E/30	21
RZR-P015/60/067	10		22-23-24-25	RZR-3/E/10	4-5-8-11-20	RZR-36/F/15	5-6-8-11	RZR-36/F/30	23
RZR-015/60/068	16		26-27		22-25		14-22	RZR-36/G/30	9
RZR-015/60/069	9	RZR-60/E/6	2	RZR-4/D/10	5-7-9-22-24	RZR-58/E/15	22	RZR-60/S/30	11
RZR-015/60/076	2	RZR-62/D/6	6-3-8-9-11	RZR-13/B/10	10	RZR-2/C/16	24	RZR-36/F/40	21
RZR-015/60/078	8		13-14-21-22	RZR-14/G/10	21	RZR-2/D/16	1-6-9-10-24	RZR-36/G/40	8
RZR-015/60/083	4		23-24-25	RZR-16/G/10	6-12	RZR-12/B/16	9	RZR-7/M/45	11
RZR-015/60/086	3	RZR-1/D/7	8	RZR-26/E/10	23	RZR-58/F/16	3-5-20	RZR-58/M/45	3
RZR-015/60/089	8	RZR-41/B/7	9-18-20-26	RZR-26/F/10	3-9-12-20	RZR-1/C/20	16	RZR-18/P/50	11
RZR-015/60/090	8		27	RZR-31/C/10	9	RZR-2/B/20	1	RZR-36/F/50	2-21-23
RZR-015/60/092	8	RZR-1/C/8	23	RZR-36/E/10	8-9-20-23	RZR-2/D/20	9-12	RZR-36/H/50	6
RZR-015/60/093	8	RZR-1/E/8	9		26-27	RZR-4/H/20	3-4-5-6-20	RZR-60/V/50	11
RZR-015/60/094	8	RZR-3/C/8	23	RZR-36/F/10	2-3-5-9-12	RZR-8/B/20	9	RZR-17/Z/51	20
RZR-015/60/099	8	RZR-3/D/8	1-4-7-9-11		22	RZR-12/D/20	3-4-5	RZR-15/R/55	11
RZR-51/B/3	16		22-23-24-26	RZR-51/L/10	1-2-11-24-25	RZR-36/E/20	7-9-23	RZR-18/R/55	11
RZR-7/A/4	18		27	RZR-59/C/10	8	RZR-36/F/20	3-8-13-21	RZR-015/60/100	8
RZR-16/F/4	7-15-19-22	RZR-3/E/8	4-7-9-15-22	RZR-62/G/10	1-2-6-11-24		22-24	RZR-015/60/102	8
	24-26-27	RZR-4/A/8	1-15		25	RZR-36/G/20	2-4-5-6-7	RZR-015/60/105	8
RZR-60/A/4	7	RZR-16/G/8	6-9-13-15	RZR-2/B/12	7-13		12-20-23-24	RZR-015/60/108	8
RZR-60/R/4	24	RZR-26/E/8	7-23-24	RZR-4/E/12	2-9-22	RZR-36/F/22	22	RZR-015/60/109	8
RZR-62/A/4	8-16-22	RZR-26/H/8	24	RZR-4/T/12	20	RZR-60/M/24	22	RZR-015/60/114	4

Part. N.	Tav. N.	Part. N.	Tav. N.	Part. N.	Tav. N.	Part. N.	Tav. N.	Part. N.	Tav. N.
RZR-015/60/115	7	RZR-015/60/248	10	RZR-015/60/343	4	RZR-012/80/490	1-13-24	RZR-020/80/772	9
RZR-015/60/125	9-22	RZR-015/60/249	10	RZR-015/60/344	18	RZR-015/100/501	9	RZR-020/80/774	8
RZR-015/60/138	3-5	RZR-015/60/257	18	RZR-015/60/345	18	RZR-015/100/502	8	RZR-G020/80/774	8
RZR-015/60/139	3-5-20	RZR-015/60/258	18	RZR-015/80/360	7	RZR-G015/100/502	8	RZR-020/80/775	8
RZR-015/60/140	8	RZR-G015/60/263	9	RZR-015/80/361	9	RZR-015/100/504	8	RZR-020/80/777	8
RZR-G015/60/145	16	RZR-015/60/263	9	RZR-015/80/362	9	RZR-015/100/511	9	RZR-G035/60/846	2-5-12-24
RZR-015/60/145	16	RZR-015/60/264	9-13-22	RZR-015/60/364	24	RZR-015/100/519	1-13-24	RZR-040/100/1004	14
RZR-015/60/146	6	RZR-015/60/271	4-6	RZR-015/80/364	1	RZR-015/100/520	1	RZR-040/100/1015	8
RZR-015/60/153	18	RZR-015/60/272	8	RZR-015/80/366	8	RZR-015/100/521	13	RZR-040/100/1016	9
RZR-015/60/156	9-22	RZR-015/60/273	8	RZR-015/80/367	8	RZR-015/100/524	13	RZR-040/100/1017	9
RZR-015/60/158	16	RZR-015/60/277	12	RZR-G015/80/367	8	RZR-015/100/525	9	RZR-040/100/1018	9
RZR-015/60/164	16	RZR-015/60/278	12	RZR-015/80/369	8	RZR-014/100/542	8	RZR-040/100/1019	9
RZR-015/60/165	9-11-20	RZR-015/60/279	12	RZR-015/80/370	12	RZR-G014/100/542	8	RZR-040/100/1020	9-13
RZR-015/60/169	9-20	RZR-015/60/280	12	RZR-015/80/373	12	RZR-014/100/543	8	RZR-G040/100/1030	9
RZR-P015/60/171	9-18-26	RZR-015/60/285	6	RZR-015/80/374	12	RZR-014/100/547	1-13-24	RZR-P040/100/1042	10
RZR-015/60/174	9-11	RZR-015/60/286	18	RZR-G015/80/374	12	RZR-012/100/551	9	RZR-G040/100/1048	9
RZR-015/60/176	9	RZR-015/60/288	18	RZR-015/80/375	8	RZR-012/100/552	8	RZR-040/100/1058	8
RZR-015/60/182	16	RZR-12/MTN/288	21	RZR-015/80/380	13-14	RZR-G012/100/552	8	RZR-G040/100/1058	8
RZR-015/60/187	7-26-27	RZR-015/60/289	18	RZR-G015/80/382	9-22	RZR-012/100/554	8	RZR-040/100/1059	8
RZR-015/60/188	7-26-27	RZR-P015/60/289	18	RZR-P015/80/391	12	RZR-012/100/559	1-13-24	RZR-040/100/1060	8
RZR-015/60/190	7-27	RZR-015/60/291	18	RZR-015/80/393	8	RZR-015/60/570	18	RZR-040/100/1061	1-24
RZR-015/60/191	22-24	RZR-P015/60/291	18	RZR-015/80/394	9	RZR-015/60/571	18	RZR-040/100/1064	8
RZR-015/60/195	16	RZR-015/60/295	18	RZR-015/80/395	1-13-24	RZR-015/60/572	18	RZR-040/100/1066	12
RZR-015/60/196	16	RZR-P015/60/295	18	RZR-015/80/396	8	RZR-015/60/573	18	RZR-G040/100/1067	12
RZR-015/60/200	16	RZR-015/60/298	18	RZR-P015/80/398	10	RZR-015/60/574	18	RZR-040/100/1067	12
RZR-015/60/210	12	RZR-P015/60/298	18	RZR-014/80/400	7	RZR-015/60/575	18	RZR-040/100/1068	12
RZR-015/60/211	12	RZR-015/60/300	8-18	RZR-014/80/402	8	RZR-015/60/576	18	RZR-040/100/1077	12
RZR-015/60/212	12	RZR-015/60/302	12	RZR-G014/80/402	8	RZR-12/MTN/576	21	RZR-040/100/1078	12
RZR-015/60/214	12	RZR-015/60/304	12	RZR-014/80/404	8	RZR-015/60/577	18	RZR-040/100/1079	12
RZR-G015/60/217	12	RZR-015/60/310	2	RZR-015/60/405	8	RZR-015/60/579	18	RZR-040/100/1082	8
RZR-015/60/222	12	RZR-015/60/319	8	RZR-014/80/411	1-13-24	RZR-015/60/580	18	RZR-P040/100/1085	12
RZR-015/60/223	12	RZR-015/60/320	6-25	RZR-G015/80/413	9	RZR-020/60/610	15	RZR-P040/100/1091	18
RZR-015/60/230	10	RZR-015/60/321	6	RZR-014/60/423	8	RZR-020/60/611	18	RZR-P040/100/1093	18
RZR-015/60/234	12	RZR-015/60/322	3	RZR-P014/60/427	9-18-26	RZR-020/60/612	18	RZR-040/160/1416	8
RZR-015/60/235	12	RZR-015/60/326	8	RZR-012/60/453	8	RZR-020/60/651	9	RZR-082/150/2020	3-5-20
RZR-015/60/240	16	RZR-015/60/327	8	RZR-P012/60/457	9-18-26	RZR-020/60/652	8	RZR-082/150/2041	3
RZR-P015/60/241	10	RZR-P015/60/332	2	RZR-012/80/480	7	RZR-020/60/653	8	RZR-082/150/2065	2
RZR-015/60/243	10-11	RZR-015/60/333	2	RZR-012/80/481	9	RZR-020/60/679	8	RZR-082/150/2104	2
RZR-P015/60/244	10	RZR-G015/60/333	2	RZR-012/80/482	8	RZR-020/60/683	8-18	RZR-P082/150/2379	12
RZR-015/60/245	10-22-24	RZR-P015/60/335	2	RZR-G012/80/482	8	RZR-020/60/684	9-18	RZR-082/150/2421	25
RZR-015/60/247	10	RZR-015/60/340	4	RZR-012/80/484	8	RZR-020/60/715	2	RZR-082/150/2431	25

Part. N.	Tav. N.	Part. N.	Tav. N.	Part. N.	Tav. N.	Part. N.	Tav. N.	Part. N.	Tav. N.
RZR-G082/150/2431	25	RZR-015/80/4585	9	RZR-P135/80/5013	1	RZR-135/80/5155	5	RZR-135/80/5279	9
RZR-082/150/2432	25	RZR-015/80/4588	9	RZR-P135/80/5018	1	RZR-135/80/5156	5-24	RZR-135/80/5281	9
RZR-020/80/2551	1-13-21-24	RZR-010/80/4589	9	RZR-135/80/5020	1	RZR-P135/80/5157	5	RZR-132/80/5282	9
RZR-020/80/2553	13	RZR-G010/80/4589	9	RZR-135/80/5040	2	RZR-135/80/5180	6	RZR-G132/80/5282	9
RZR-020/100/2556	1-13-24	RZR-010/100/4590	9	RZR-135/80/5041	2	RZR-135/80/5181	6	RZR-135/80/5283	9
RZR-020/100/2557	13	RZR-G010/100/4590	9	RZR-P135/80/5043	2	RZR-135/80/5182	6	RZR-135/80/5284	9
RZR-020/80/2573	7	RZR-010/80/4591	9	RZR-135/80/5050	2	RZR-135/80/5186	6	RZR-135/80/5320	11
RZR-G020/80/2590	11	RZR-010/80/4592	9	RZR-135/80/5051	2	RZR-135/80/5188	6	RZR-135/80/5321	11
RZR-020/80/2591	11	RZR-010/80/4594	9	RZR-135/80/5052	2	RZR-135/80/5189	6	RZR-135/80/5322	11
RZR-020/80/2592	11	RZR-015/80/4604	6	RZR-135/80/5053	2	RZR-P135/80/5190	6	RZR-G135/80/5322	11
RZR-020/80/2593	11	RZR-015/80/4605	6	RZR-P135/80/5055	2	RZR-135/80/5191	6	RZR-135/80/5323	11
RZR-020/80/2594	11	RZR-015/80/4608	7	RZR-135/80/5080	3	RZR-135/80/5192	6	RZR-135/80/5324	11
RZR-075/100/2634	25	RZR-010/80/4611	7	RZR-135/80/5082	3	RZR-135/80/5193	6	RZR-135/80/5325	11
RZR-110/280/3554	1	RZR-G010/80/4611	7	RZR-135/80/5083	3	RZR-135/80/5194	6	RZR-135/80/5326	11
RZR-015/80/4505	2	RZR-010/100/4612	7	RZR-135/80/5084	3	RZR-P135/80/5195	6	RZR-135/80/5328	11
RZR-015/80/4506	2	RZR-G010/100/4612	7	RZR-135/80/5085	3	RZR-135/80/5196	6	RZR-135/80/5329	11
RZR-015/80/4516	3	RZR-010/80/4613	13	RZR-135/80/5088	15	RZR-135/80/5220	7	RZR-135/80/5330	11
RZR-015/80/4517	3	RZR-010/100/4614	13	RZR-135/80/5089	4	RZR-135/80/5221	7	RZR-135/80/5332	11
RZR-015/80/4518	3	RZR-P015/80/4633	11	RZR-135/80/5090	4	RZR-135/80/5222	3-7	RZR-135/80/5334	10
RZR-P015/80/4520	2	RZR-015/80/4635	11	RZR-135/80/5091	4	RZR-135/80/5223	7	RZR-135/80/5335	10
RZR-015/80/4521	2	RZR-P015/80/4636	11	RZR-135/80/5097	3	RZR-135/80/5224	7	RZR-135/80/5339	10
RZR-015/80/4522	2	RZR-015/80/4638	11	RZR-135/80/5098	3	RZR-135/80/5226	7	RZR-135/80/5340	10
RZR-P015/80/4525	4	RZR-015/80/4639	11	RZR-135/80/5099	3	RZR-135/80/5227	7-26	RZR-125/80/5350	12
RZR-015/80/4528	4	RZR-G015/80/4639	11	RZR-G135/80/5100	3	RZR-G135/80/5229	7	RZR-125/80/5351	12
RZR-015/80/4529	4	RZR-G010/80/4646	13	RZR-135/80/5102	3	RZR-G134/80/5230	7	RZR-135/80/5371	14
RZR-015/80/4534	4	RZR-G010/100/4647	13	RZR-135/80/5105	3	RZR-G132/80/5231	7	RZR-135/80/5372	14
RZR-015/80/4535	4	RZR-P010/80/4648	11	RZR-135/80/5106	3	RZR-135/80/5232	7	RZR-135/80/5374	13
RZR-015/100/4555	1	RZR-G010/80/4652	13	RZR-G135/80/5107	3	RZR-135/80/5234	7	RZR-135/80/5375	13
RZR-015/80/4556	4	RZR-G010/100/4653	13	RZR-135/80/5140	5	RZR-135/80/5235	7	RZR-135/80/5376	14
RZR-015/100/4557	4	RZR-015/80/4682	6	RZR-135/80/5141	5	RZR-135/80/5270	9	RZR-135/80/5377	13
RZR-015/80/4560	8	RZR-G015/80/4770	16	RZR-G135/80/5141	5	RZR-135/80/5271	9	RZR-G135/80/5381	13
RZR-014/80/4561	8	RZR-P015/80/4770	16	RZR-135/80/5142	5	RZR-G135/80/5271	9	RZR-132/80/5383	13
RZR-012/80/4562	8	RZR-015/80/4771	16	RZR-135/80/5144	5	RZR-135/80/5272	9	RZR-G135/80/5384	13
RZR-015/100/4563	8	RZR-015/80/4772	16	RZR-135/80/5145	5	RZR-135/80/5273	9	RZR-G134/80/5385	13
RZR-014/100/4564	8	RZR-015/80/4773	16	RZR-P135/80/5146	5	RZR-G134/80/5274	9	RZR-G132/80/5386	13
RZR-012/100/4565	8	RZR-015/80/4774	1	RZR-135/80/5148	5	RZR-P135/80/5275	9	RZR-135/80/5388	14
RZR-015/80/4580	9	RZR-125/80/4866	7-26-27	RZR-135/80/5149	5	RZR-P135/80/5276	9	RZR-125/80/5472	1-16
RZR-G015/80/4580	9	RZR-125/80/4868	7	RZR-P135/80/5151	5	RZR-135/80/5277	9	RZR-135/80/5473	16
RZR-015/80/4583	9	RZR-125/80/4913	3-5-20	RZR-135/80/5152	5	RZR-GG135/80/5277	9	RZR-135/80/5474	16
RZR-015/80/4584	9	RZR-P135/80/5007	1	RZR-135/80/5153	5	RZR-G135/80/5277	9	RZR-135/80/5475	16
RZR-G015/80/4584	9	RZR-G135/80/5013	1	RZR-135/80/5154	5	RZR-135/80/5278	9	RZR-125/80/5476	1

Part. N.	Tav. N.	Part. N.	Tav. N.	Part. N.	Tav. N.	Part. N.	Tav. N.	Part. N.	Tav. N.
RZR-135/80/5477	16	RZR-G134/100/5760	13	RZR-015/60/7456	1	RZR-125/80/7795	20	RZR-P015/60/8021	22
RZR-135/80/5478	16	RZR-G132/100/5761	13	RZR-135/80/7460	1	RZR-125/80/7796	20	RZR-015/60/8022	22
RZR-135/80/5479	16	RZR-135/100/5762	14	RZR-135/80/7461	1	RZR-015/60/7807	24	RZR-015/60/8023	22
RZR-135/80/5480	13-16	RZR-135/100/5763	13	RZR-015/80/7470	1	RZR-015/60/7810	24	RZR-015/60/8024	22
RZR-G135/80/5480	13-16	RZR-110/310/6336	7	RZR-015/80/7471	1	RZR-015/60/7811	24	RZR-015/60/8027	22
RZR-135/80/5481	13-16	RZR-135/80/7300	24	RZR-015/80/7472	1	RZR-015/60/7813	24	RZR-015/60/8029	22
RZR-135/80/5482	13-16	RZR-135/80/7301	24	RZR-015/100/7480	1	RZR-P015/60/7816	24	RZR-015/60/8035	22
RZR-135/80/5483	16	RZR-135/80/7302	24	RZR-015/100/7481	1	RZR-015/60/7817	24	RZR-015/80/8036	22
RZR-135/80/5484	16	RZR-135/80/7303	24	RZR-015/100/7482	1	RZR-015/60/7820	24	RZR-P015/80/8043	22
RZR-135/80/5485	16	RZR-P135/80/7305	24	RZR-015/60/7508	21	RZR-015/60/7829	11-12-24	RZR-015/60/8044	21
RZR-P135/100/5500	1	RZR-P135/80/7307	24	RZR-P015/60/7509	21	RZR-015/60/7834	24	RZR-015/80/8044	22-23
RZR-G135/100/5524	7	RZR-135/80/7308	24	RZR-015/60/7703	4-20	RZR-015/60/7835	24	RZR-015/60/8047	26
RZR-G134/100/5525	7	RZR-P135/80/7309	24	RZR-015/60/7707	20	RZR-015/60/7846	24	RZR-015/60/8059	22
RZR-G132/100/5526	7	RZR-P135/80/7310	24	RZR-015/60/7708	20	RZR-015/60/7848	11-12-24	RZR-015/60/8064	22
RZR-135/100/5540	3	RZR-135/80/7311	24	RZR-015/60/7710	20	RZR-015/80/7905	24	RZR-015/60/8069	22-24
RZR-135/100/5542	3	RZR-135/80/7312	24	RZR-015/60/7711	20	RZR-015/80/7909	24	RZR-015/60/8071	22
RZR-135/100/5543	3	RZR-135/80/7315	24	RZR-015/60/7714	20	RZR-015/80/7914	24	RZR-015/60/8072	22
RZR-135/100/5623	7-27	RZR-P135/80/7317	24	RZR-P015/60/7714	20	RZR-015/80/7917	24	RZR-015/60/8073	22
RZR-135/100/5624	7	RZR-135/80/7320	24	RZR-015/60/7715	20	RZR-015/80/7919	24	RZR-015/60/8075	22
RZR-134/100/5625	7	RZR-135/80/7321	24	RZR-P015/60/7715	20	RZR-015/100/7932	24	RZR-015/80/8079	22
RZR-132/100/5626	7	RZR-135/80/7324	24	RZR-015/60/7717	20	RZR-015/100/7936	24	RZR-014/80/8080	22
RZR-135/80/5627	7	RZR-135/80/7325	24	RZR-015/60/7718	20	RZR-015/100/7939	24	RZR-012/80/8081	22
RZR-135/100/5628	7	RZR-135/80/7327	24	RZR-015/60/7719	20	RZR-010/80/7983	22	RZR-015/60/8083	22
RZR-135/100/5660	8	RZR-135/80/7328	24	RZR-015/60/7722	20	RZR-015/80/7984	22	RZR-P015/60/8112	22
RZR-135/100/5680	9	RZR-135/80/7329	24	RZR-015/60/7727	20	RZR-G015/60/7984	22	RZR-015/60/8114	22
RZR-G135/100/5680	9	RZR-135/80/7330	24	RZR-135/80/7770	20	RZR-P015/60/7986	22	RZR-G015/60/8114	22
RZR-G134/100/5681	9	RZR-015/100/7334	24	RZR-135/80/7771	20	RZR-015/60/7988	22	RZR-015/60/8116	23
RZR-135/100/5682	9	RZR-015/100/7335	24	RZR-135/80/7772	20	RZR-015/60/7989	22	RZR-015/60/8127	23
RZR-G132/100/5682	9	RZR-015/100/7336	24	RZR-135/80/7773	20	RZR-P015/80/7991	22	RZR-015/60/8142	21-23
RZR-135/100/5683	9	RZR-P015/100/7337	24	RZR-135/80/7774	20	RZR-P015/60/7992	22	RZR-015/60/8150	23
RZR-135/100/5684	9	RZR-015/100/7338	24	RZR-135/80/7775	20	RZR-P015/60/7993	22	RZR-015/60/8154	23
RZR-135/100/5700	11	RZR-015/60/7400	21	RZR-135/80/7776	20	RZR-P015/60/7995	22	RZR-015/60/8166	21-23
RZR-135/100/5705	10	RZR-015/60/7402	21	RZR-135/80/7777	20	RZR-015/60/7996	22	RZR-015/60/8168	23
RZR-135/80/5738	13	RZR-015/60/7405	21	RZR-135/80/7778	20	RZR-015/80/7998	22	RZR-015/60/8169	23
RZR-G135/100/5739	13	RZR-015/60/7406	21	RZR-135/80/7779	20	RZR-015/60/8000	4-22	RZR-P015/60/8170	23
RZR-135/100/5750	14	RZR-015/60/7407	21	RZR-135/80/7780	20	RZR-015/60/8001	23	RZR-P015/60/8171	23
RZR-135/100/5751	13	RZR-015/60/7410	21	RZR-135/80/7781	20	RZR-015/60/8007	22	RZR-015/60/8172	23
RZR-132/100/5752	13	RZR-015/60/7413	21	RZR-015/60/7782	20	RZR-015/60/8010	22	RZR-015/60/8173	23
RZR-G135/100/5754	13	RZR-015/60/7414	21	RZR-125/80/7792	20	RZR-015/60/8013	24	RZR-P015/60/8174	23
RZR-135/100/5756	14	RZR-015/60/7443	21	RZR-125/80/7793	20	RZR-015/60/8017	22	RZR-P015/60/8175	23
RZR-135/100/5757	14	RZR-015/60/7455	1	RZR-125/80/7794	20	RZR-015/60/8019	22	RZR-P015/60/8176	23

Part. N.	Tav. N.	Part. N.	Tav. N.	Part. N.	Tav. N.	Part. N.	Tav. N.	Part. N.	Tav. N.
RZR-015/60/8177	23	RZR-135/80/8591	25						
RZR-015/60/8181	23	RZR-135/80/8592	25						
RZR-015/60/8182	23	RZR-135/80/8593	25						
RZR-P015/60/8185	23	RZR-135/80/8594	25						
RZR-015/60/8186	23	RZR-P135/80/8595	25						
RZR-015/60/8187	23	RZR-135/80/8596	25						
RZR-015/60/8188	23	RZR-015/60/8681	13-16						
RZR-015/60/8189	23	RZR-015/60/8688	10-16						
RZR-P015/60/8190	23	RZR-015/60/8689	10-16						
RZR-015/60/8191	23	RZR-020/60/8707	23						
RZR-015/60/8192	23	RZR-035/60/8806	21						
RZR-015/60/8194	23	RZR-035/60/8807	21						
RZR-015/60/8195	23	RZR-G035/60/8809	21						
RZR-015/60/8196	23	RZR-040/100/8851	21						
RZR-015/60/8197	23	RZR-015/60/9060	19						
RZR-015/60/8198	23	RZR-015/60/9062	19						
RZR-015/60/8261	21	RZR-015/60/9063	19						
RZR-G015/60/8261	21	RZR-G015/60/9063	19						
RZR-015/60/8300	15	RZR-014/60/9064	19						
RZR-015/60/8301	15	RZR-G014/60/9064	19						
RZR-015/60/8307	15	RZR-012/60/9065	19						
RZR-015/60/8308	15	RZR-G012/60/9065	19						
RZR-015/60/8310	15	RZR-040/100/9066	19						
RZR-015/60/8312	15	RZR-G040/100/9066	19						
RZR-040/100/8313	15	RZR-015/60/9076	19						
RZR-040/100/8314	15	RZR-015/60/9077	19						
RZR-015/60/8315	15	RZR-P015/60/9407	27						
RZR-015/60/8316	15	RZR-P014/60/9408	27						
RZR-015/60/8318	15	RZR-P012/60/9409	27						
RZR-015/60/8321	15	RZR-G135/80/9414	26-27						
RZR-P135/80/8322	15	RZR-G135/100/9420	27						
RZR-135/80/8323	15	RZR-015/80/9430	26-27						
RZR-135/80/8324	15	RZR-015/80/9431	26-27						
RZR-015/60/8563	25	RZR-015/80/9434	26-27						
RZR-015/60/8564	25	RZR-015/100/9440	27						
RZR-G015/60/8564	25	RZR-015/100/9441	27						
RZR-015/60/8565	25	RZR-012/100/9444	27						
RZR-015/60/8584	25	RZR-012/60/9507	12						
RZR-015/60/8585	25	RZR-015/60/9518	12						
RZR-P015/60/8589	25								
RZR-135/80/8590	25								

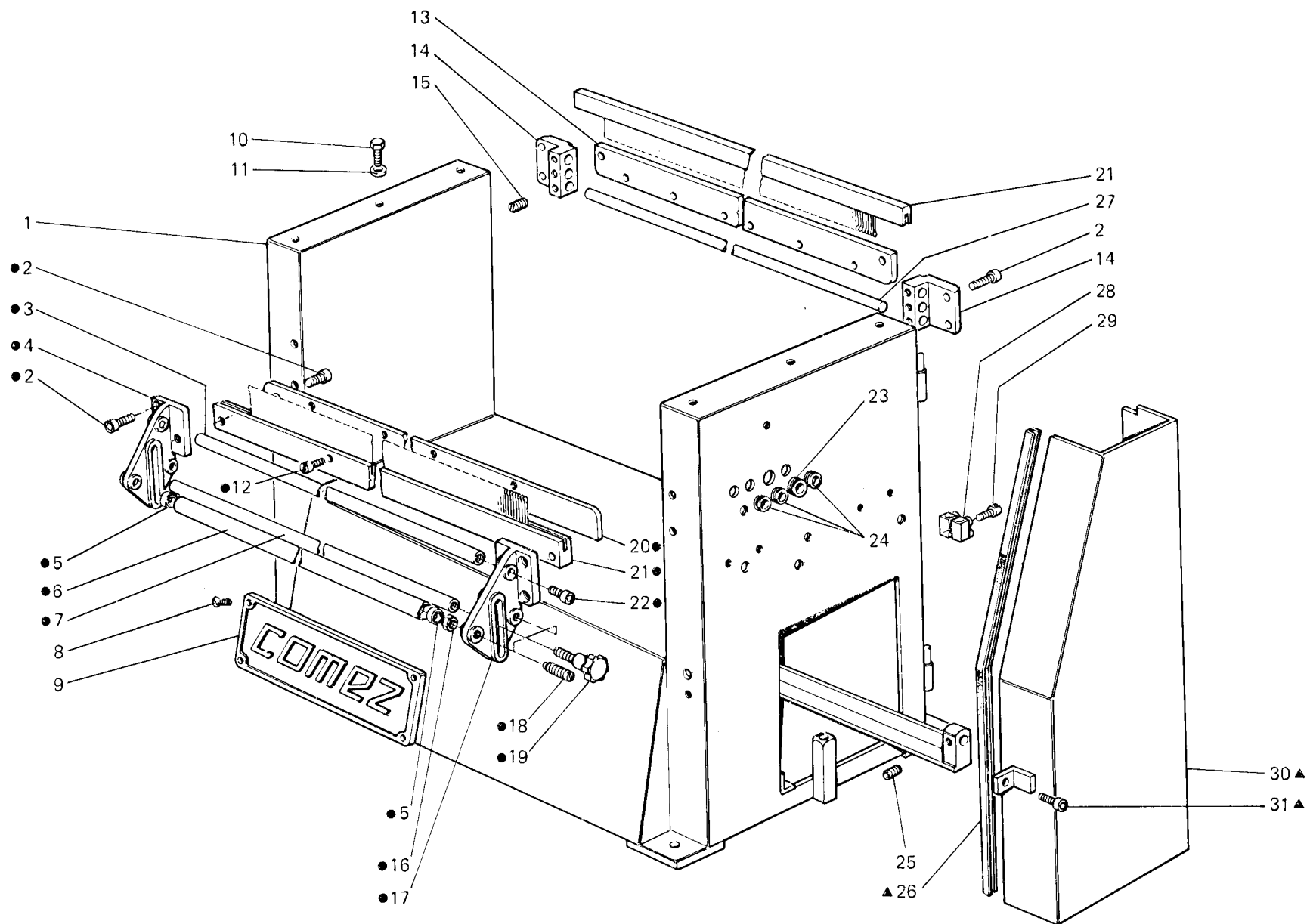


Fig. N. Abb. N.	Part. N. Bestell N. Piece N. Pieza N.	DESCRIZIONE	Fig. N. Abb. N.	Part. N. Bestell N. Piece N. Pieza N.	DESCRIZIONE
●	RZR-TO	tensionatore ordito completo fin. 15 (800)	28	RZR-125/80/5472	morsetto
●	RZR-TO	tensionatore ordito completo fin. 14 (800)	29	RZR-1/E/5	vite
●	RZR-TO	tensionatore ordito completo fin. 12 (800)	30	RZR-P135/80/5013	carter
●	RZR-TO	tensionatore ordito completo fin. 10 (800)	31	RZR-2/B/20	vite
●	RZR-TO	tensionatore ordito completo fin. 15 (1000)			
●	RZR-TO	tensionatore ordito completo fin. 14 (1000)			
●	RZR-TO	tensionatore ordito completo fin. 12 (1000)			
●	RZR-TO	tensionatore ordito completo fin. 10 (1000)			
▲	RZR-G135/80/5013	carter completo			
1	RZR-P135/80/5007	basamento (800)			
1	RZR-P135/100/5500	basamento (1000)			
2	RZR-2/C/14	vite			
3	RZR-015/80/7471	asta fissa tensionatore (800)			
3	RZR-015/100/7481	asta fissa tensionatore (1000)			
4	RZR-135/80/7461	supporto sinistro			
5	RZR-4/A/8	cuscinetto			
6	RZR-015/80/7470	asta tensionatore (800)			
6	RZR-015/100/7480	asta tensionatore (1000)			
7	RZR-015/80/7472	asta mobile tensionatore (800)			
7	RZR-015/100/7482	asta mobile tensionatore (1000)			
8	RZR-26/F/15	vite			
9	RZR-110/280/3554	targhetta Comez			
10	RZR-36/H/25	vite			
11	RZR-62/G/10	rondella			
12	RZR-1/G/10	vite			
13	RZR-015/100/4555	asta porta pettine (1000)			
14	RZR-135/80/5020	supporto pettine (800)			
15	RZR-16/G/6	vite			
16	RZR-51/L/10	dado			
17	RZR-135/80/7460	supporto destro			
18	RZR-015/60/7455	vite			
19	RZR-015/60/7456	pomello			
20	RZR-015/100/520	asta porta pettine (1000)			
21	RZR-015/80/395	pettine aperto fin. 15 (800)			
21	RZR-014/80/411	pettine aperto fin. 14 (800)			
21	RZR-012/80/490	pettine aperto fin. 12 (800)			
21	RZR-020/80/2551	pettine aperto fin. 10 (800)			
21	RZR-015/100/519	pettine aperto fin. 15 (1000)			
21	RZR-014/100/547	pettine aperto fin. 14 (1000)			
21	RZR-012/100/559	pettine aperto fin. 12 (1000)			
21	RZR-020/100/2556	pettine aperto fin. 10 (1000)			
22	RZR-2/D/16	vite			
23	RZR-125/80/5476	passacavo			
24	RZR-015/80/4774	passacavo			
25	RZR-3/D/8	vite			
26	RZR-135/80/5018	guarnizione			
27	RZR-015/80/364	asta pettine (800)			
27	RZR-040/100/1061	asta pettine (1000)			

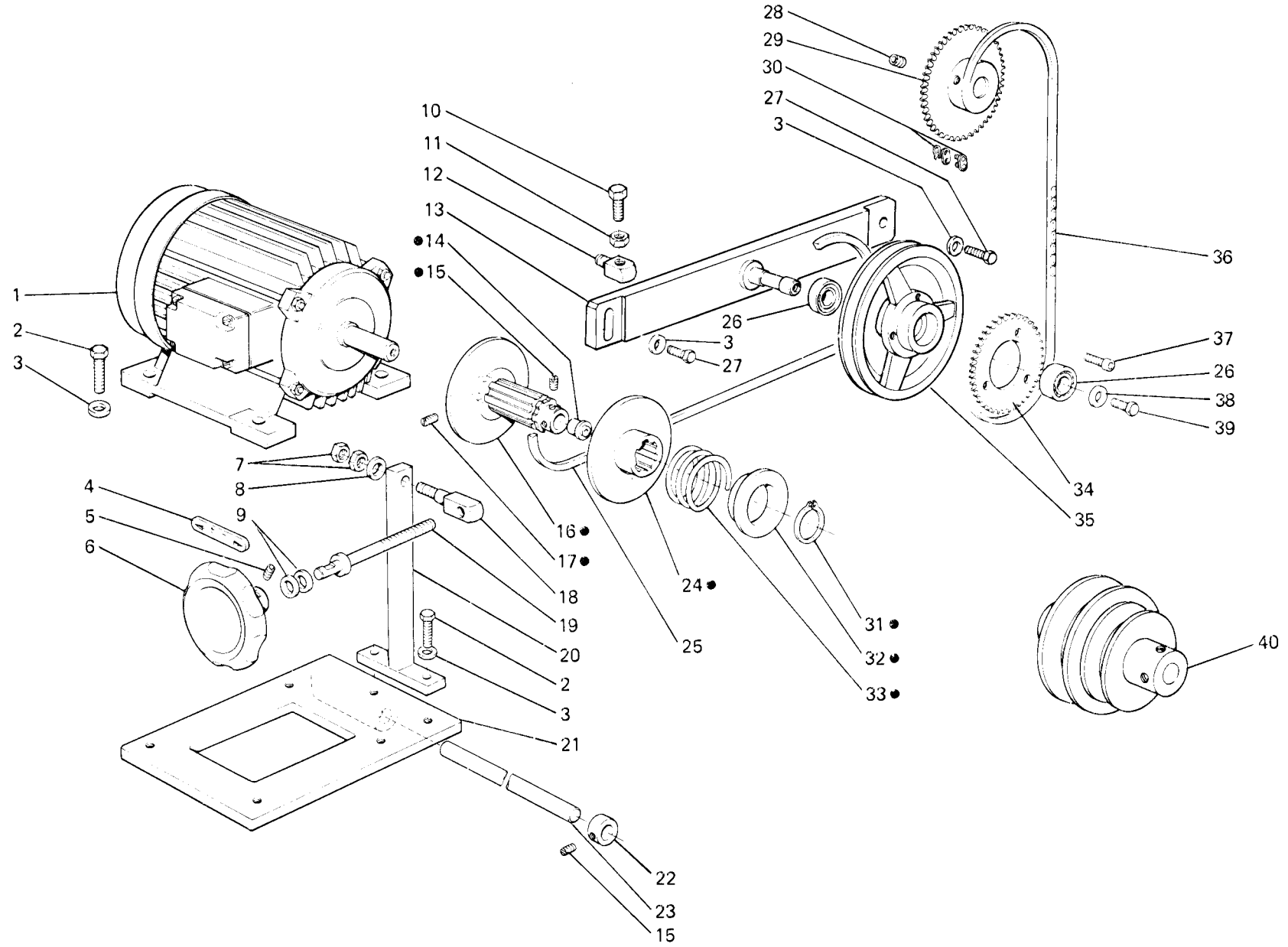


Fig. N. Abb. N.	Part. N. Bestell N. Piece N. Pieza N.	DESCRIZIONE	Fig. N. Abb. N.	Part. N. Bestell N. Piece N. Pieza N.	DESCRIZIONE
•	RZR-G015/60/333	puleggia variabile completa			
1	RZR-015/60/076	motore HP0,5 1400 giri fin. 15-14-12			
1	RZR-015/80/4522	motore HP0,5 900 giri fin. 10			
2	RZR-36/G/20	vite			
3	RZR-62/F/8	rondella			
4	RZR-015/60/052	targhetta			
5	RZR-3/D/6	vite			
6	RZR-135/80/5053	volantino			
7	RZR-51/L/10	dado			
8	RZR-62/G/10	rondella			
9	RZR-58/B/13	guarnizione			
10	RZR-36/F/50	vite			
11	RZR-51/G/6	dado			
12	RZR-082/150/2065	perno			
13	RZR-P015/80/4520	supporto			
14	RZR-P015/60/335	tappo con oliatore			
15	RZR-16/G/5	vite			
16	RZR-P015/60/332	flangia fissa			
17	RZR-16/G/6	vite			
18	RZR-015/60/021	spinotto			
19	RZR-P135/80/5055	alberino			
20	RZR-P135/80/5043	braccio			
21	RZR-135/80/5040	piastra			
22	RZR-082/150/2104	anello			
23	RZR-135/80/5041	perno			
24	RZR-015/60/333	flangia mobile			
25	RZR-020/60/715	cinghia Hz 50			
25	RZR-015/80/4521	cinghia Hz 60			
26	RZR-4/E/12	cuscinetto			
27	RZR-36/G/25	vite			
28	RZR-3/E/15	vite			
29	RZR-135/80/5051	ingranaggio condotto			
30	RZR-G035/60/846	giunzione catena			
31	RZR-7/F/28	anello di fermo			
32	RZR-015/60/036	fermo molla			
33	RZR-015/60/035	molla			
34	RZR-015/60/310	ingranaggio conduttore			
35	RZR-015/80/4505	puleggia 50 Hz			
35	RZR-015/80/4506	puleggia 60 Hz			
36	RZR-135/80/5050	catena			
37	RZR-2/C/14	vite			
38	RZR-60/E/6	rondella			
39	RZR-36/F/10	vite			
		<u>SOLO A RICHIESTA</u>			
40	RZR-135/80/5052	puleggia fissa a 2 gole			

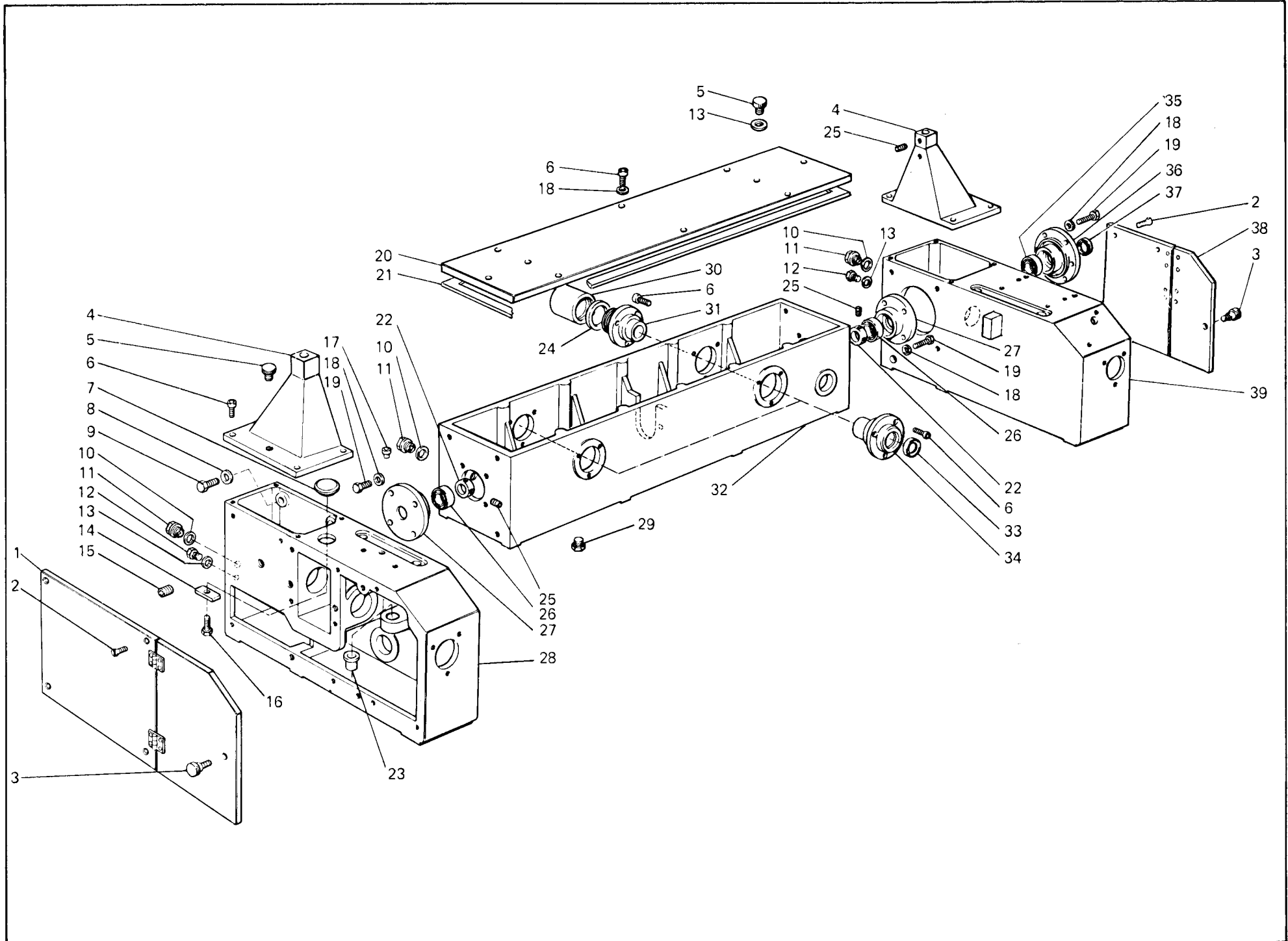


Fig. N. Abb. N.	Part. N. Bestell N. Piece N. Pieza N.	DESCRIZIONE	Fig. N. Abb. N.	Part. N. Bestell N. Piece N. Pieza N.	DESCRIZIONE
1	RZR-G135/80/5107	carter cassetta sinistra			
2	RZR-26/F/10	vite			
3	RZR-135/80/5105	pomello			
4	RZR-135/80/5097	supporto castello			
5	RZR-015/60/138	tappo carico olio			
6	RZR-2/C/14	vite			
7	RZR-015/60/060	tappo cassetta sinistra			
8	RZR-62/F/8	rondella			
9	RZR-36/G/25	vite			
10	RZR-58/F/16	rondella speciale			
11	RZR-082/150/2020	livello olio			
12	RZR-015/60/139	tappo scarico olio			
13	RZR-125/80/4913	guarnizione			
14	RZR-015/60/322	staffa			
15	RZR-135/80/5102	tappo cassetta sinistra			
16	RZR-36/F/10	vite			
17	RZR-135/80/5222	oliatore			
18	RZR-62/D/6	rondella			
19	RZR-36/F/20	vite			
20	RZR-135/80/5098	coperchio cassetta centrale (800)			
20	RZR-135/100/5542	coperchio cassetta centrale (1000)			
21	RZR-135/80/5099	guarnizione cassetta centrale (800)			
21	RZR-135/100/5543	guarnizione cassetta centrale (1000)			
22	RZR-082/150/2041	anello			
23	RZR-135/80/5106	bronzina			
24	RZR-58/M/45	rondella speciale			
25	RZR-3/D/10	vite			
26	RZR-4/L/25	cuscinetto			
27	RZR-135/80/5082	copricuscinetto interno			
28	RZR-135/80/5085	cassetta sinistra			
29	RZR-015/60/086	tappo scarico olio			
30	RZR-015/80/4518	coperchio bussola posteriore			
31	RZR-015/80/4517	bussola posteriore			
32	RZR-135/80/5080	cassetta centrale (800)			
32	RZR-135/100/5540	cassetta centrale (1000)			
33	RZR-12/E/25	anello di tenuta			
34	RZR-015/80/4516	bussola anteriore			
35	RZR-4/H/20	cuscinetto			
36	RZR-135/80/5083	copricuscinetto esterno			
37	RZR-12/D/20	anello di tenuta			
38	RZR-G135/80/5100	carter cassetta destra			
39	RZR-135/80/5084	cassetta destra			

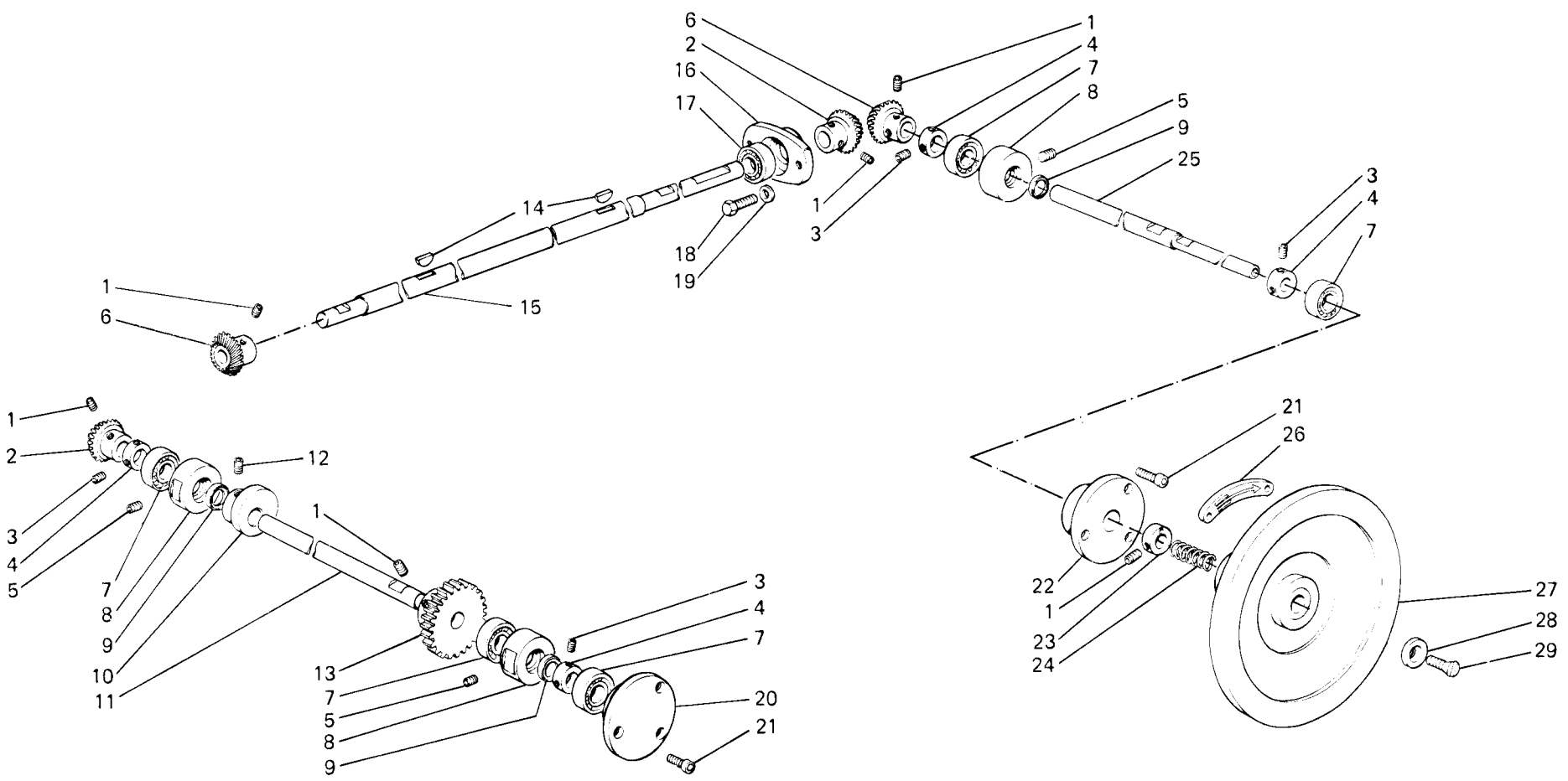


Fig. N. Abb. N.	Part. N. Bestell N. Piece N. Pieza N.	DESCRIZIONE	Fig. N. Abb. N.	Part. N. Bestell N. Piece N. Pieza N.	DESCRIZIONE
1	RZR-3/E/10	vite			
2	RZR-015/80/4534	pignone destro			
3	RZR-3/D/8	vite			
4	RZR-015/60/271	anello			
5	RZR-3/D/15	vite			
6	RZR-015/80/4535	pignone sinistro			
7	RZR-4/H/20	cuscinetto			
8	RZR-135/80/5091	porta cuscinetto			
9	RZR-12/D/20	anello di tenuta			
10	RZR-015/60/8000	camme alimentatore			
11	RZR-135/80/5090	albero sinistro			
12	RZR-3/E/8	vite			
13	RZR-015/60/7703	ingranaggio conduttore			
14	RZR-9/B/25	chiavetta			
15	RZR-015/80/4556	albero centrale (800)			
15	RZR-015/100/4557	albero centrale (1000)			
16	RZR-015/60/083	supporto cuscinetto			
17	RZR-4/L/25	cuscinetto			
18	RZR-36/G/20	vite			
19	RZR-62/F/8	rondella			
20	RZR 015/80/4529	copricuscinetto			
21	RZR-2/C/10	vite			
22	RZR-015/80/4528	copricuscinetto			
23	RZR-015/60/340	anello			
24	RZR-015/60/343	molletta			
25	RZR-135/80/5089	albero destro			
26	RZR-015/60/114	targhetta			
27	RZR-P015/80/4525	volantino			
28	RZR-60/B/5	rondella			
29	RZR-26/F/15	vite			

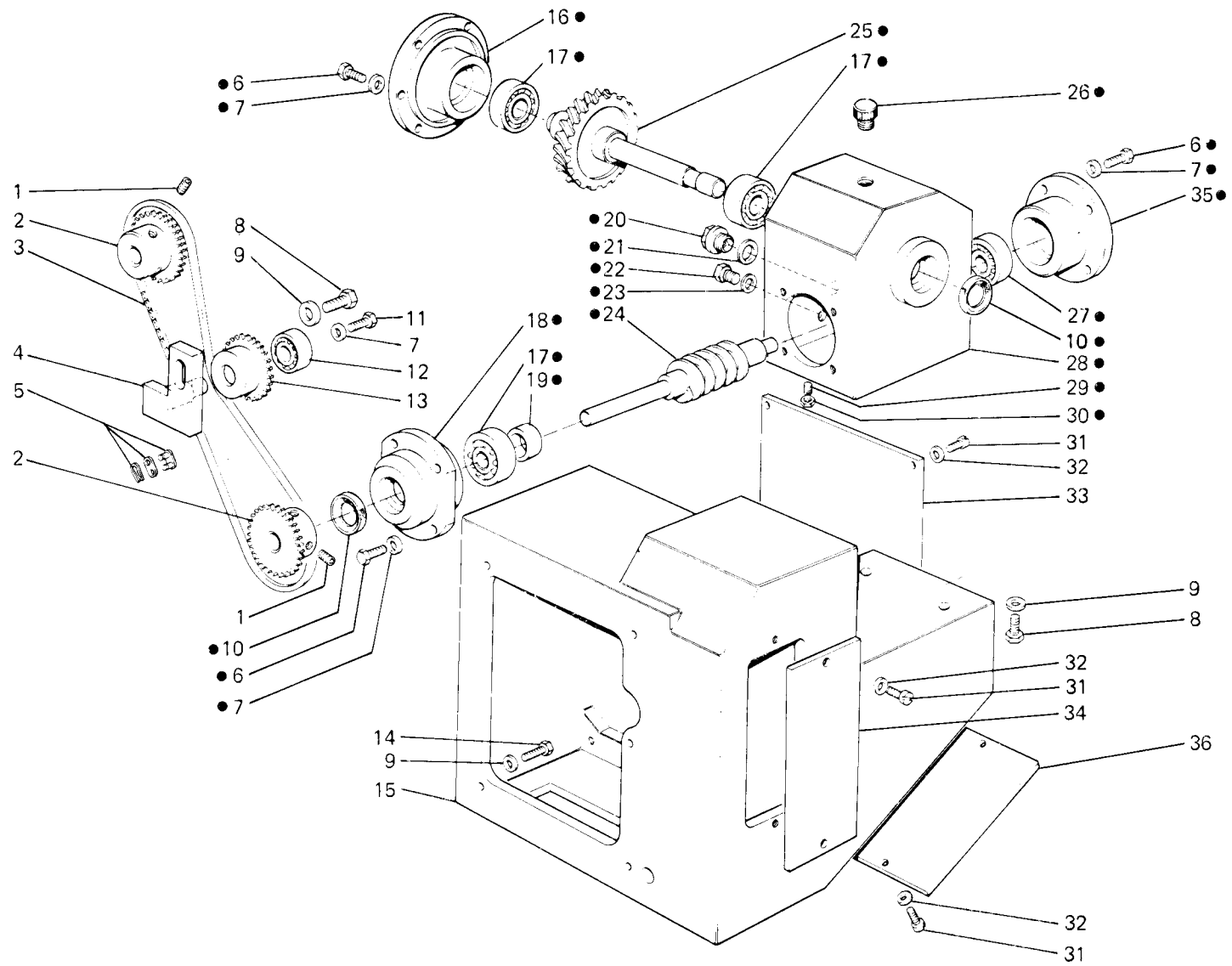


Fig. N. Abb. N.	Part. N. Bestell N. Piece N. Pieza N.	DESCRIZIONE	Fig. N. Abb. N.	Part. N. Bestell N. Piece N. Pieza N.	DESCRIZIONE
●	RZR-G135/80/5141	riduttore completo			
1	RZR-3/E/10	vite			
2	RZR-135/80/5149	ingranaggio			
3	RZR-135/80/5155	catena trasmissione			
4	RZR-P135/80/5151	supporto			
5	RZR-G035/60/846	giunzione catena			
6	RZR-36/F/15	vite			
7	RZR-14/C/6	rondella			
8	RZR-36/G/25	vite			
9	RZR-62/F/8	rondella			
10	RZR-12/D/20	anello di tenuta			
11	RZR-36/F/10	vite			
12	RZR-4/D/10	cuscinetto			
13	RZR-135/80/5156	ingranaggio			
14	RZR-36/G/20	vite			
15	RZR-135/80/5140	supporto riduttore			
16	RZR-135/80/5142	copricuscinetto laterale			
17	RZR-4/H/20	cuscinetto			
18	RZR-135/80/5145	copricuscinetto anteriore			
19	RZR-135/80/5148	distanziale			
20	RZR-082/150/2020	livello olio			
21	RZR-58/F/16	rondella			
22	RZR-015/60/139	tappo scarico			
23	RZR-125/80/4913	guarnizione			
24	RZR-P135/80/5157	vite senza fine			
25	RZR-P135/80/5146	ingranaggio			
26	RZR-015/60/138	tappo rifornimento			
27	RZR-4/G/15	cuscinetto			
28	RZR-135/80/5141	scatola riduttore			
29	RZR-16/F/12	vite			
30	RZR-51/F/5	dado			
31	RZR-1/G/10	vite			
32	RZR-62/C/5	rondella			
33	RZR-135/80/5152	carter trasmissione			
34	RZR-135/80/5153	carter galoppino			
35	RZR-135/80/5144	copricuscinetto posteriore			
36	RZR-135/80/5154	carter inferiore			

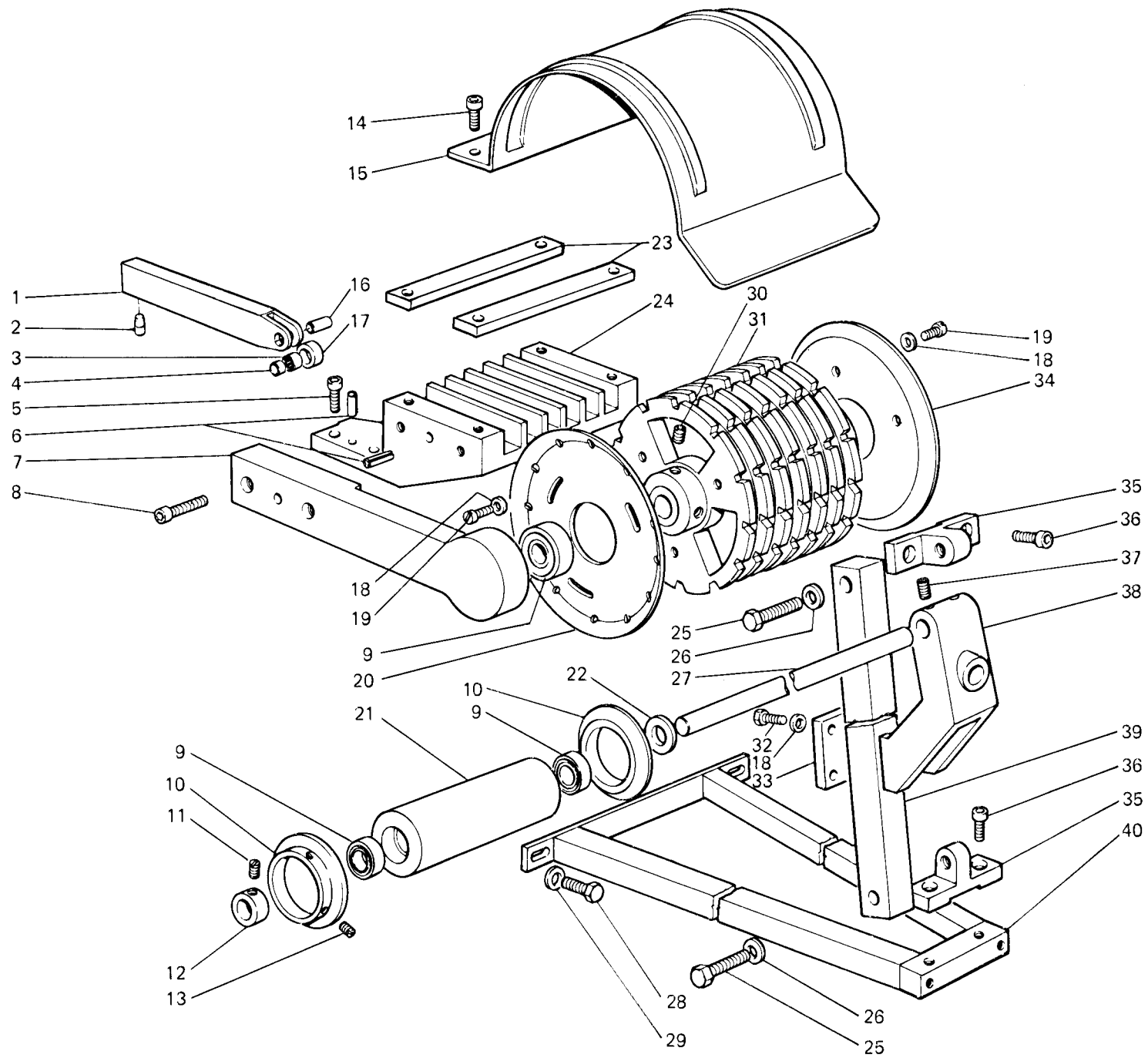


Fig. N. Abb. N.	Part. N. Bestell N. Piece N. Pieza N.	DESCRIZIONE	Fig. N. Abb. N.	Part. N. Bestell N. Piece N. Pieza N.	DESCRIZIONE
1	RZR-015/80/4605	asta scorrevole			
2	RZR-015/60/057	pernetto			
3	RZR-32/E/12	cuscinetto a rullini			
4	RZR-015/60/285	anello interno			
5	RZR-2/D/30	vite			
6	RZR-20/E/30	spina elastica			
7	RZR-135/80/5181	supporto			
8	RZR-2/D/25	vite			
9	RZR-4/H/20	cuscinetto			
10	RZR-015/80/4682	flangia			
11	RZR-16/G/5	vite			
12	RZR-015/60/271	anello			
13	RZR-16/G/10	vite			
14	RZR-2/C/10	vite			
15	RZR-135/80/5196	carter			
16	RZR-015/60/146	perno			
17	RZR-015/80/4604	ruilo cuscinetto			
18	RZR-62/D/6	rondella			
19	RZR-1/H/10	vite			
20	RZR-015/60/321	flangia sinistra			
21	RZR-P135/80/5190	cilindro			
22	RZR-135/80/5191	anello			
23	RZR-135/80/5188	piastra			
24	RZR-135/80/5180	supporto			
25	RZR-36/H/50	vite			
26	RZR-62/G/10	rondella			
27	RZR-135/80/5189	perno			
28	RZR-36/G/20	vite			
29	RZR-62/F/8	rondella			
30	RZR-3/E/15	vite			
31	RZR-135/80/5182	tamburo glider			
32	RZR-36/F/15	vite			
33	RZR-135/80/5186	staffa			
34	RZR-015/60/320	flangia destra			
35	RZR-135/80/5193	attacco per asta			
36	RZR-2/D/16	vite			
37	RZR-16/G/8	vite			
38	RZR-135/80/5192	supporto			
39	RZR-135/80/5194	asta			
40	RZR-P135/80/5195	sostegno			

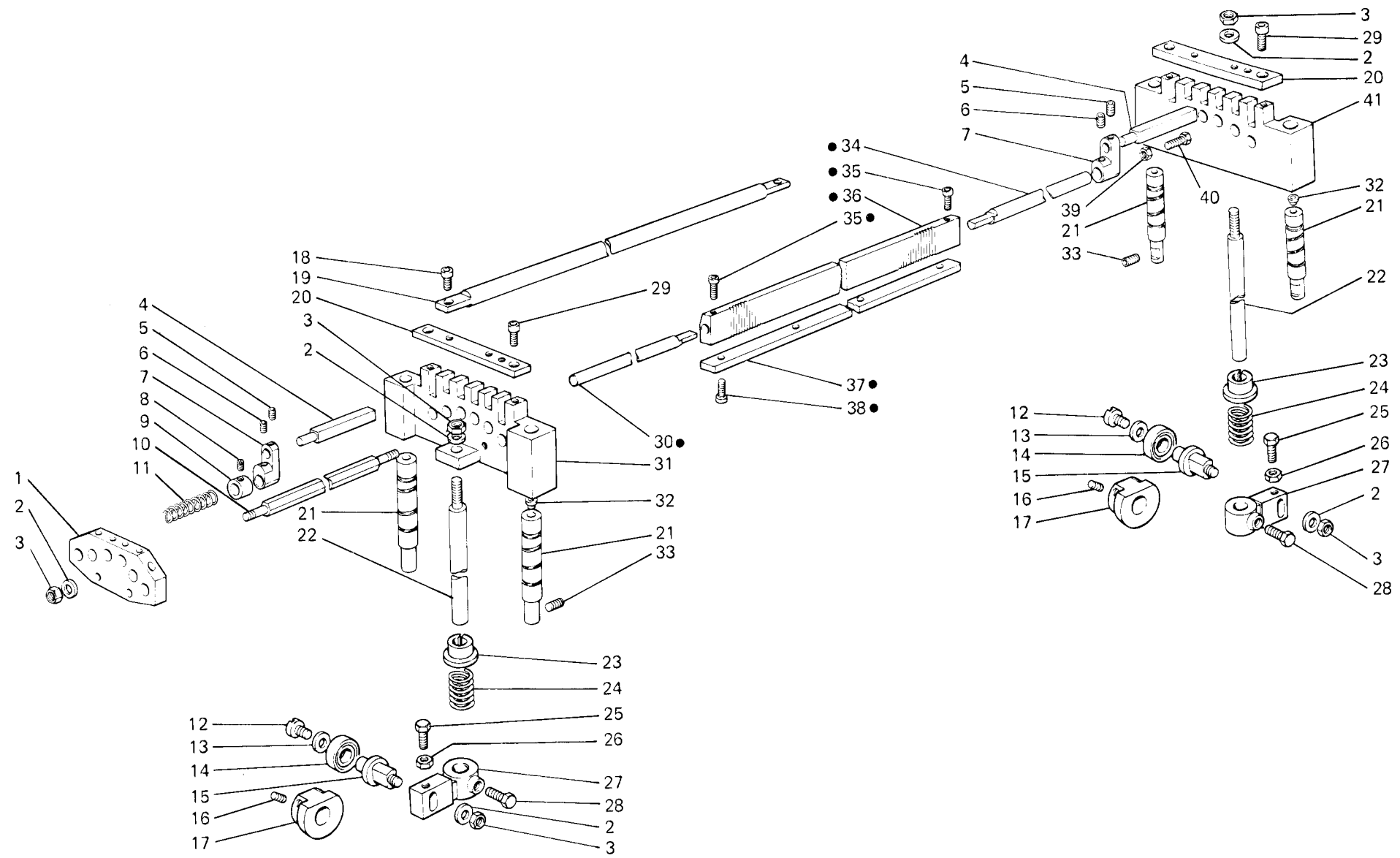


Fig. N. Abb. N.	Part. N. Bestell N. Piece N. Pieza N.	DESCRIZIONE	Fig. N. Abb. N.	Part. N. Bestell N. Piece N. Pieza N.	DESCRIZIONE
●	RZR-G135/80/5229	barra completa fin. 15 (800)	36	RZR-015/80/360	barra tubetti fin. 15 (800)
●	RZR-G134/80/5230	barra completa fin. 14 (800)	36	RZR-014/80/400	barra tubetti fin. 14 (800)
●	RZR-G132/80/5231	barra completa fin. 12 (800)	36	RZR-012/80/480	barra tubetti fin. 12 (800)
●	RZR-G010/80/4611	barra completa fin. 10 (800)	36	RZR-010/80/4611	barra tubetti fin. 10 (800)
●	RZR-G135/100/5524	barra completa fin. 15 (1000)	36	RZR-135/100/5624	barra tubetti fin. 15 (1000)
●	RZR-G134/100/5525	barra completa fin. 14 (1000)	36	RZR-134/100/5625	barra tubetti fin. 14 (1000)
●	RZR-G132/100/5526	barra completa fin. 12 (1000)	36	RZR-132/100/5626	barra tubetti fin. 12 (1000)
●	RZR-G010/100/4612	barra completa fin. 10 (1000)	36	RZR-010/100/4612	barra tubetti fin. 10 (1000)
1	RZR-135/80/5226	piastra	37	RZR-135/80/5627	rinforzo barra (1000)
2	RZR-62/F/8	rondella	38	RZR-2/A/10	vite
3	RZR-51/H/8	dado	39	RZR-51/G/6	dado
4	RZR-015/60/188	spina	40	RZR-36/R/25	vite
5	RZR-3/D/6	vite	41	RZR-135/80/5223	piastra portabarre destra
6	RZR-3/D/8	vite			
7	RZR-015/60/187	supporto			
8	RZR-16/F/4	vite			
9	RZR-015/60/010	anello			
10	RZR-125/80/4868	perno			
11	RZR-015/60/190	molla			
12	RZR-26/E/8	vite			
13	RZR-60/A/4	rondella			
14	RZR-4/D/10	cuscinetto			
15	RZR-015/80/4608	perno			
16	RZR-3/E/8	vite			
17	RZR-015/60/115	camme sollevamento barre fin. 15-14-12			
17	RZR-020/80/2573	camme sollevamento barre fin. 10			
18	RZR-2/B/12	vite (800)			
18	RZR-2/B/15	vite (1000)			
19	RZR-135/80/5234	asta rinvio fili (800)			
19	RZR-135/100/5628	asta rinvio fili (1000)			
20	RZR-135/80/5235	blocchetto collegamento			
21	RZR-135/80/5232	colonna guida piastre			
22	RZR-135/80/5221	perno			
23	RZR-110/310/6336	rondella			
24	RZR-015/60/055	molla			
25	RZR-36/E/20	vite			
26	RZR-51/F/5	dado			
27	RZR-135/80/5220	supporto			
28	RZR-36/G/20	vite			
29	RZR-2/C/10	vite			
30	RZR-125/80/4866	perno lungo			
31	RZR-135/80/5224	piastra portabarre sinistra			
32	RZR-135/80/5222	oliatore a sfera			
33	RZR-3/D/10	vite			
34	RZR-135/80/5227	perno corto (800)			
34	RZR-135/100/5623	perno corto (1000)			
35	RZR-2/B/10	vite			

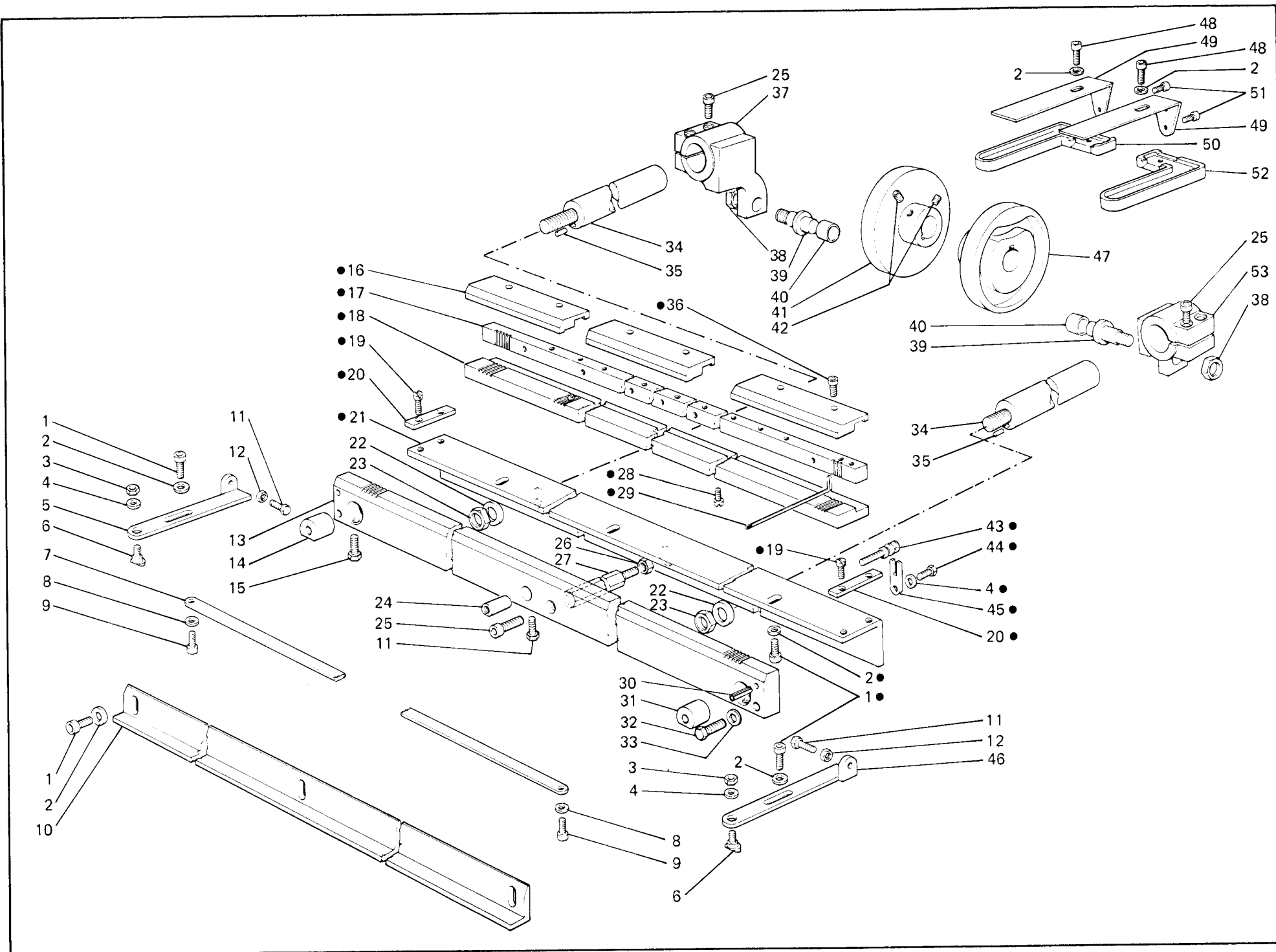


Fig. N. Abb. N.	Part. N. Bestell N. Piece N. Pieza N.	DESCRIZIONE	Fig. N. Abb. N.	Part. N. Bestell N. Piece N. Pieza N.	DESCRIZIONE
●	RZR-G015/80/367	frontura posteriore completa fin. 15 (800)	18	RZR-015/100/502	frontura posteriore fin. 15 (1000)
●	RZR-G014/80/402	frontura posteriore completa fin. 14 (800)	18	RZR-014/100/542	frontura posteriore fin. 14 (1000)
●	RZR-G012/80/482	frontura posteriore completa fin. 12 (800)	18	RZR-012/100/552	frontura posteriore fin. 12 (1000)
●	RZR-G020/80/774	frontura posteriore completa fin. 10 (800)	18	RZR-040/100/1058	frontura posteriore fin. 10 (1000)
●	RZR-G015/100/502	frontura posteriore completa fin. 15 (1000)	19	RZR-1/D/7	vite
●	RZR-G014/100/542	frontura posteriore completa fin. 14 (1000)	20	RZR-015/60/140	piastrina
●	RZR-G012/100/552	frontura posteriore completa fin. 12 (1000)	21	RZR-015/80/369	angolare porta barre (800)
●	RZR-G040/100/1058	frontura posteriore completa fin. 10 (1000)	21	RZR-040/100/1060	angolare porta barre (1000)
1	RZR-2/C/14	vite	22	RZR-60/C/12	rondella
2	RZR-62/D/6	rondella	23	RZR-59/E/12	dado
3	RZR-51/F/5	dado	24	RZR-015/80/396	perno centrale (800)
4	RZR-62/C/5	rondella	25	RZR-2/D/25	vite
5	RZR-015/60/108	piastra sinistra	26	RZR-51/H/8	dado
6	RZR-040/160/1416	vite di fermo	27	RZR-135/100/5660	sostegno (1000)
7	RZR-015/80/393	listello aprilinguetta (800)	28	RZR-1/G/14	vite
7	RZR-040/100/1082	listello aprilinguetta (1000)	29	RZR-015/60/300	ago fin. 15-14-12
8	RZR-62/A/4	rondella	29	RZR-020/60/683	ago fin. 10
9	RZR-2/A/10	vite	30	RZR-20/D/30	spina elastica
10	RZR-015/80/366	angolare ferma lavoro (800)	31	RZR-015/60/405	perno regolazione
10	RZR-040/100/1064	angolare ferma lavoro (1000)	32	RZR-36/G/40	vite
11	RZR-36/F/25	vite	33	RZR-62/F/8	rondella
12	RZR-51/G/6	dado	34	RZR-015/60/094	pistone
13	RZR-015/80/375	frontura anteriore fin. 15 (800)	35	RZR-015/60/057	spina
13	RZR-014/80/404	frontura anteriore fin. 14 (800)	36	RZR-2/M/14	vite
13	RZR-012/80/484	frontura anteriore fin. 12 (800)	37	RZR-015/60/093	supporto sinistro
13	RZR-020/80/775	frontura anteriore fin. 10 (800)	38	RZR-59/C/10	dado
13	RZR-015/100/504	frontura anteriore fin. 15 (1000)	39	RZR-015/60/090	perno
13	RZR-014/100/543	frontura anteriore fin. 14 (1000)	40	RZR-015/60/319	rullo camme fin. 15-14-12
13	RZR-012/100/554	frontura anteriore fin. 12 (1000)	40	RZR-015/60/089	rullo camme fin. 10
13	RZR-040/100/1015	frontura anteriore fin. 10 (1000)	41	RZR-015/60/327	camme sinistra fin. 15-14-12
14	RZR-015/60/105	perno regolazione	41	RZR-020/60/653	camme sinistra fin. 10
15	RZR-36/F/20	vite	42	RZR-3/E/10	vite
16	RZR-015/60/102	placca fissa aghi fin. 15	43	RZR-015/60/100	vite regolazione
16	RZR-014/60/423	placca fissa aghi fin. 14	44	RZR-36/E/10	vite
16	RZR-012/60/453	placca fissa aghi fin. 12	45	RZR-015/60/099	piastrina
16	RZR-020/60/679	placca fissa aghi fin. 10	46	RZR-015/60/109	piastra destra
17	RZR-015/80/4560	barretta ferma aghi fin. 15 (800)	47	RZR-015/60/326	camme destra fin. 15-14-12
17	RZR-014/80/4561	barretta ferma aghi fin. 14 (800)	47	RZR-020/60/652	camme destra fin. 10
17	RZR-012/80/4562	barretta ferma aghi fin. 12 (800)	48	RZR-36/F/15	vite
17	RZR-020/80/777	barretta ferma aghi fin. 10 (800)	49	RZR-015/60/273	supporto
17	RZR-015/100/4563	barretta ferma aghi fin. 15 (1000)	50	RZR-015/60/272	piastra sinistra
17	RZR-014/100/4564	barretta ferma aghi fin. 14 (1000)	51	RZR-2/B/10	vite
17	RZR-012/100/4565	barretta ferma aghi fin. 12 (1000)	52	RZR-015/60/078	piastra destra
17	RZR-040/100/1059	barretta ferma aghi fin. 10 (1000)	53	RZR-015/60/092	supporto destro
18	RZR-015/80/367	frontura posteriore fin. 15 (800)			
18	RZR-014/80/402	frontura posteriore fin. 14 (800)			
18	RZR-012/80/482	frontura posteriore fin. 12 (800)			
18	RZR-020/80/774	frontura posteriore fin. 10 (800)			

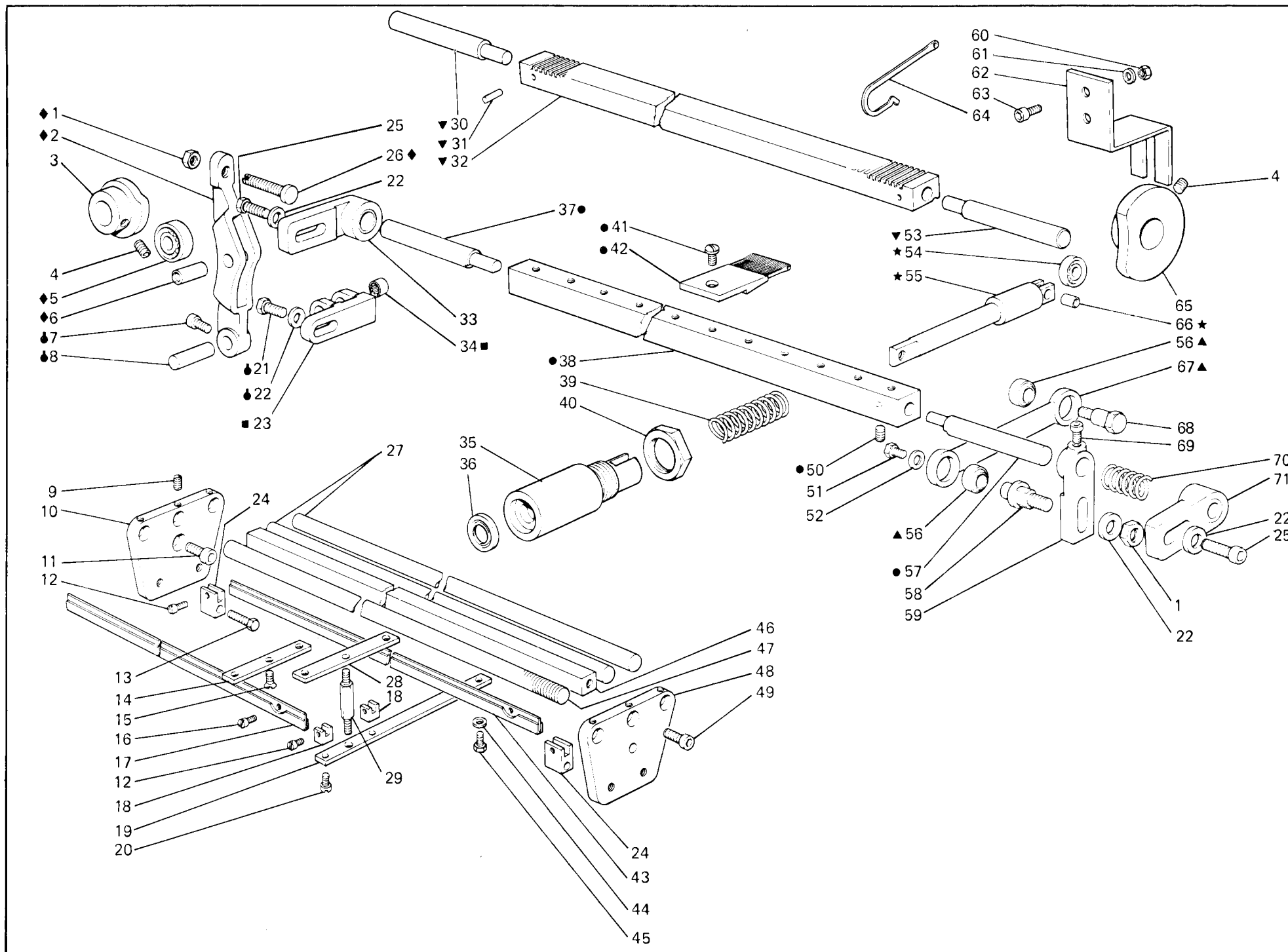


Fig. N. Abb. N.	Part. N. Bestell N. Piece N. Pieza N.	DESCRIZIONE	Fig. N. Abb. N.	Part. N. Bestell N. Piece N. Pieza N.	DESCRIZIONE
◆◆	RZR-GG135/80/5277	gruppo supporto leva barra passette	31	RZR-010/80/4589	barra passette fin. 10 (800)
◆	RZR-G135/80/5277	leva barra passette completa	31	RZR-010/100/4590	barra passette fin. 10 (1000)
■	RZR-G015/80/4580	supporto leva barra passette completa	32	RZR-8/B/20	spina
★	RZR-G015/80/4584	pistone cannotto completo	33	RZR-P135/80/5275	supporto sinistro
▲	RZR-G015/60/263	braccio rotazione completo	34	RZR-31/C/10	cuscinetto a rullini
●	RZR-G135/80/5271	barra passette completa fin. 15 (800)	35	RZR-015/80/4583	cannotto
●	RZR-G134/80/5274	barra passette completa fin. 14 (800)	36	RZR-12/B/16	anello di tenuta
●	RZR-G132/80/5282	barra passette completa fin. 12 (800)	37	RZR-135/80/5273	perno sinistro
▼	RZR-G010/80/4589	barra passette completa fin. 10 (800)	38	RZR-135/80/5271	barra passette fin. 15-14 (800)
●	RZR-G135/100/5680	barra passette completa fin. 15 (1000)	38	RZR-132/80/5282	barra passette fin. 12 (800)
●	RZR-G134/100/5681	barra passette completa fin. 14 (1000)	38	RZR-135/100 / 5680	barra passette fin. 15-14 (1000)
●	RZR-G132/100/5682	barra passette completa fin. 12 (1000)	38	RZR-135/100/5682	barra passette fin. 12 (1000)
▼	RZR-G010/100/4590	barra passette completa fin. 10 (1000)	39	RZR-015/60/069	molla
1	RZR-51/H/8	dado	40	RZR-015/60/156	ghiera
2	RZR-135/80/5277	leva barra passette	41	RZR-41/B/7	vite
3	RZR-135/80/5279	camme fin. 15-14-12	42	RZR-P015/60/171	blocco passette fin. 15
3	RZR-010/80/4594	camme fin. 10	42	RZR-P014/60/427	blocco passette fin. 14
4	RZR-3/E/8	vite	42	RZR-P012/60/457	blocco passette fin. 12
5	RZR-4/E/12	cuscinetto	43	RZR-G015/80/382	arresto inferiore fin. 15-14-12 (800)
6	RZR-135/80/5278	perno	43	RZR-G040/100/1048	arresto inferiore fin. 15-14-12 (1000)
7	RZR-2/B/10	vite	44	RZR-62/D/6	rondella
8	RZR-015/60/174	perno	45	RZR-36/F/10	vite
9	RZR-16/G/8	vite	46	RZR-015/100/511	piatto divisione fili (1000)
10	RZR-135/80/5283	piastra sinistra (800)	47	RZR-015/80/361	vite divisione fili fin. 15-14 (800)
10	RZR-135/100/5683	piastra sinistra (1000)	47	RZR-012/80/481	vite divisione fili fin. 12 (800)
11	RZR-2/D/16	vite	47	RZR-020/80/772	vite divisione fili fin. 10 (800)
12	RZR-1/E/5	vite	47	RZR-015/100/501	vite divisione fili fin. 15-14 (1000)
13	RZR-36/F/25	vite	47	RZR-012/100/551	vite divisione fili fin. 12 (1000)
14	RZR-015/80/394	piastrina (800)	47	RZR-040/100/1018	vite divisione fili fin. 10 (1000)
15	RZR-26/F/10	vite	48	RZR-135/80/5284	piastra destra (800)
16	RZR-1/D/5	vite	48	RZR-135/100/5684	piastra destra (1000)
17	RZR-G015/80/413	arresto inferiore (800)	49	RZR-2/D/20	vite
17	RZR-G040/100/1030	arresto inferiore (1000)	50	RZR-3/D/8	vite
18	RZR-040/100/1020	cavallotto centrale	51	RZR-36/E/10	vite
19	RZR-015/100/525	piattina (1000)	52	RZR-14/B/5	rondella
20	RZR-1/E/8	vite	53	RZR-010/80/4591	perno destro
21	RZR-36/G/30	vite	54	RZR-4/D/10	cuscinetto
22	RZR-62/F/8	rondella	55	RZR-015/80/4584	pistone
23	RZR-015/80/4580	supporto	56	RZR-015/60/165	boccola
24	RZR-015/60/264	cavallotto	57	RZR-135/80/5272	perno destro
25	RZR-36/G/25	vite	58	RZR-015/60/169	perno
26	RZR-015/60/176	vite regolazione	59	RZR-135/80/5270	leva
27	RZR-015/80/362	asta divisione fili (800)	60	RZR-51/F/5	dado
27	RZR-040/100/1016	asta divisione fili (1000)	61	RZR-62/C/5	rondella
28	RZR-040/100/1017	piattina	62	RZR-015/80/4588	protezione
29	RZR-040/100/1019	perno filettato	63	RZR-36/E/20	vite
30	RZR-010/80/4592	perno sinistro	64	RZR-020/60/684	passetta

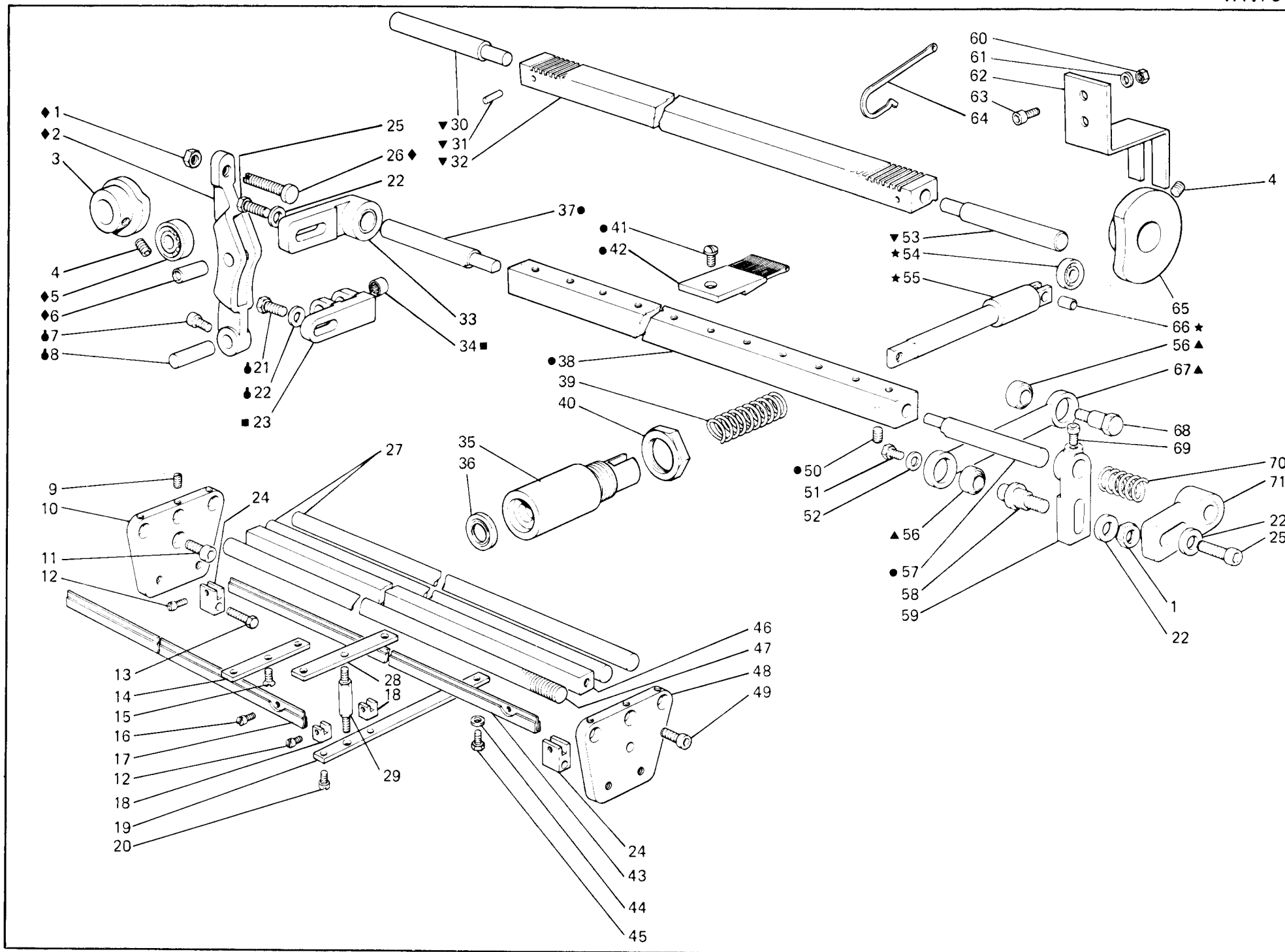


Fig. N. Abb. N.	Part. N. Bestell N. Piece N. Pieza N.	DESCRIZIONE	Fig. N. Abb. N.	Part. N. Bestell N. Piece N. Pieza N.	DESCRIZIONE
65	RZR-015/80/4585	camme fin. 15-14-12			
65	RZR-020/60/651	camme fin. 10			
66	RZR-015/60/125	perno			
67	RZR-015/60/263	braccio			
68	RZR-40/C/8	perno filettato			
69	RZR-2/D/10	vite			
70	RZR-135/80/5281	molla			
71	RZR-P135/80/5276	supporto destro			

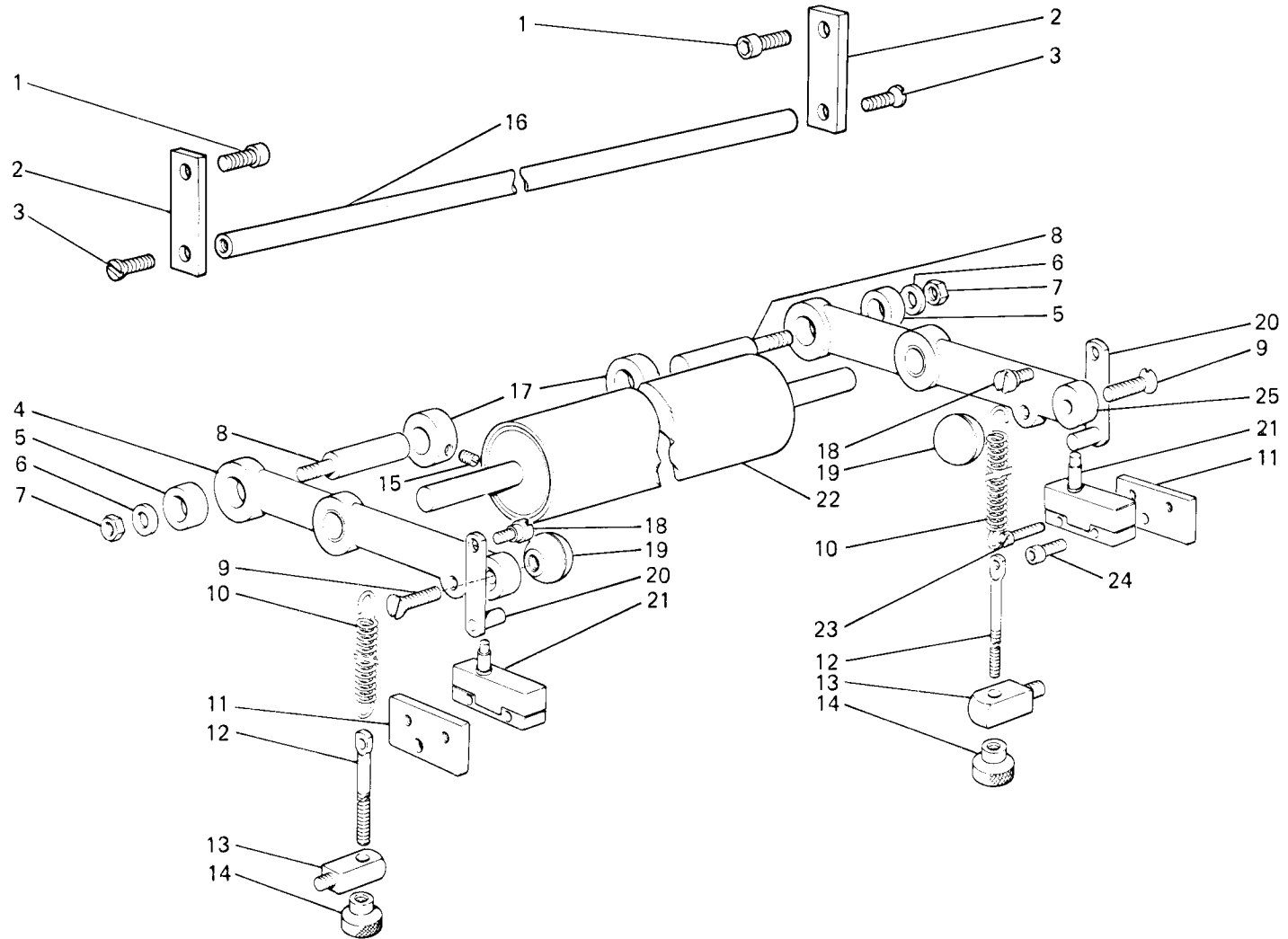


Fig. N. Abb. N.	Part. N. Bestell N. Piece N. Pieza N.	DESCRIZIONE	Fig. N. Abb. N.	Part. N. Bestell N. Piece N. Pieza N.	DESCRIZIONE
1	RZR-2/D/16	vite			
2	RZR-135/80/5340	piastrina			
3	RZR-26/H/15	vite			
4	RZR-P015/60/067	leva sinistra			
5	RZR-015/60/243	distanziale			
6	RZR-62/F/8	rondella			
7	RZR-51/H/8	dado			
8	RZR-135/80/5334	perno			
9	RZR-26/L/25	vite			
10	RZR-015/60/230	molla			
11	RZR-015/60/8689	piastrina			
12	RZR-015/60/248	tenditore			
13	RZR-135/80/5335	sostegno			
14	RZR-015/60/247	pomello			
15	RZR-1/G/6	vite			
16	RZR-135/80/5339	asta rinvio tessuto (800)			
16	RZR-135/100/5705	asta rinvio tessuto (1000)			
17	RZR-015/60/245	anello			
18	RZR-13/B/10	perno filettato			
19	RZR-015/60/249	pomolo			
20	RZR-P015/60/244	levetta			
21	RZR-015/60/8688	microcontatto			
22	RZR-P015/80/398	ruolo superiore (800)			
22	RZR-P040/100/1042	ruolo superiore (1000)			
23	RZR-1/E/25	vite			
24	RZR-2/B/10	vite			
25	RZR-P015/60/241	leva destra			

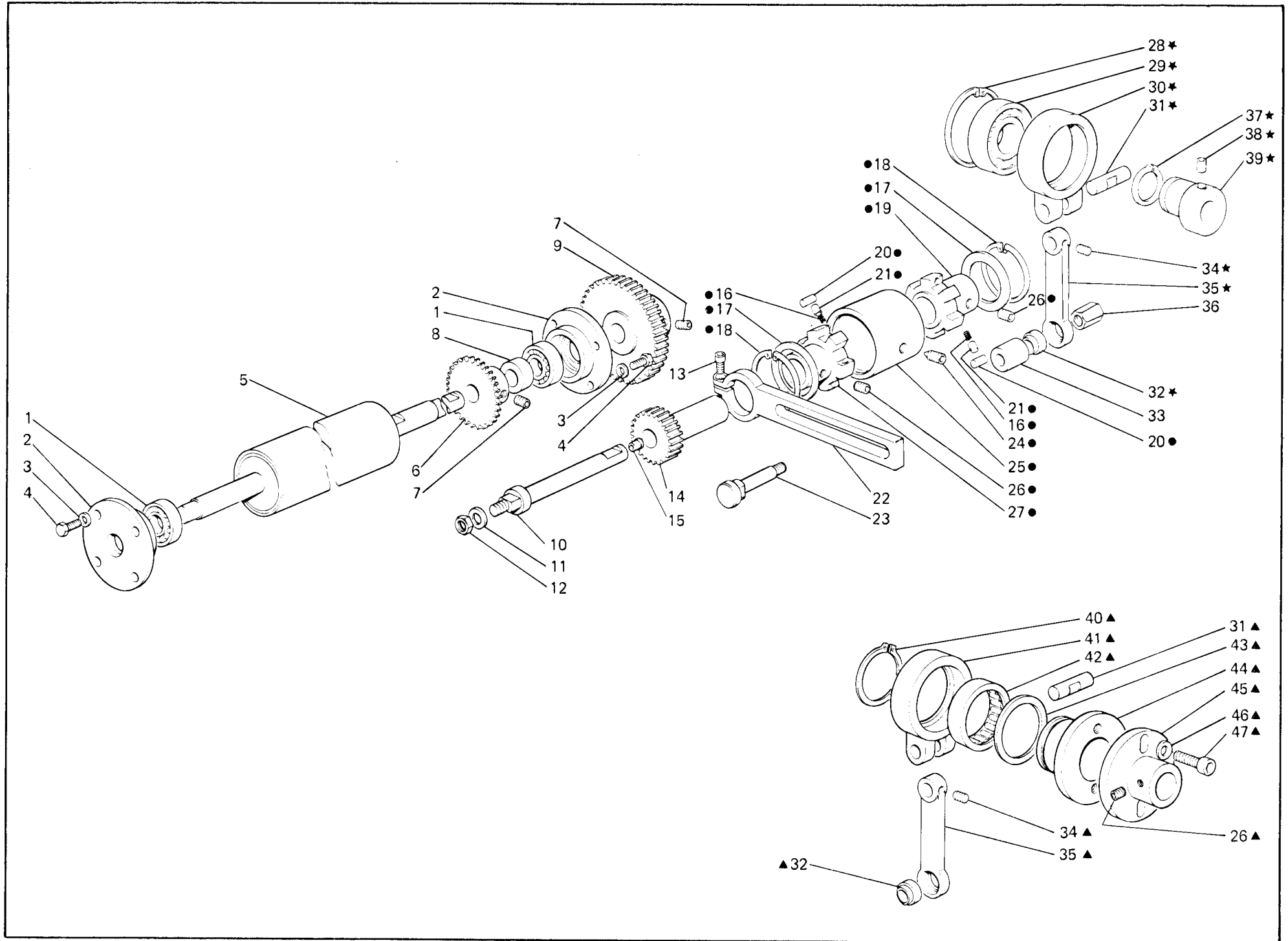


Fig. N. Abb. N.	Part. N. Bestell N. Piece N. Pieza N.	DESCRIZIONE	Fig. N. Abb. N.	Part. N. Bestell N. Piece N. Pieza N.	DESCRIZIONE
★	RZR-G135/80/5322	braccio di biella completo fin. 15-14-12	41	RZR-020/80/2592	biella
▲	RZR-G020/80/2590	braccio di biella completo fin. 10	42	RZR-15/R/55	gabbia a rullini
●	RZR-G015/80/4639	scatto tiraggio completo	43	RZR-60/V/50	anello di rasamento
1	RZR-4/F/15	cuscinetto	44	RZR-020/80/2591	eccentrico
2	RZR-135/80/5330	copricuscinetto	45	RZR-020/80/2593	flangia regolazione
3	RZR-62/D/6	rondella	46	RZR-14/C/6	rondella
4	RZR-36/F/15	vite	47	RZR-2/C/14	vite
5	RZR-135/80/5332	rullo inferiore (800)			
5	RZR-135/100/5700	rullo inferiore (1000)			
6	RZR-015/60/7829	ingranaggio fin. 15-14-12			
6	RZR-015/60/7848	ingranaggio fin. 10			
7	RZR-3/D/10	vite			
8	RZR-015/60/243	distanziale			
9	RZR-135/80/5329	ingranaggio			
10	RZR-135/80/5328	perno centrale			
11	RZR-62/G/10	rondella			
12	RZR-51/L/10	dado			
13	RZR-2/C/25	vite			
14	RZR-P015/80/4633	pignone fin. 15-14-12			
14	RZR-P010/80/4648	pignone fin. 10			
15	RZR-015/60/037	oliatore a sfera			
16	RZR-015/60/047	molletta			
17	RZR-60/S/30	anello			
18	RZR-18/P/50	anello di fermo			
19	RZR-015/80/4635	interno fisso per scatto			
20	RZR-015/80/4638	rullino			
21	RZR-015/60/046	capsula			
22	RZR-135/80/5326	leva fin. 15-14-12			
22	RZR-020/80/2594	leva fin. 10			
23	RZR-135/80/5324	perno			
24	RZR-21/D/15	vite			
25	RZR-015/80/4639	boccola			
26	RZR-3/D/8	vite			
27	RZR-P015/80/4636	interno mobile per scatto			
28	RZR-18/R/55	anello di fermo			
29	RZR-4/Q/30	cuscinetto			
30	RZR-135/80/5321	biella			
31	RZR-015/60/174	perno			
32	RZR-015/60/165	boccola			
33	RZR-135/80/5325	bussola distanziale			
34	RZR-16/F/6	vite			
35	RZR-135/80/5322	braccio			
36	RZR-135/80/5323	dado			
37	RZR-7/H/30	anello di fermo			
38	RZR-3/E/10	vite			
39	RZR-135/80/5320	corpo eccentrico			
40	RZR-7/M/45	anello di fermo			

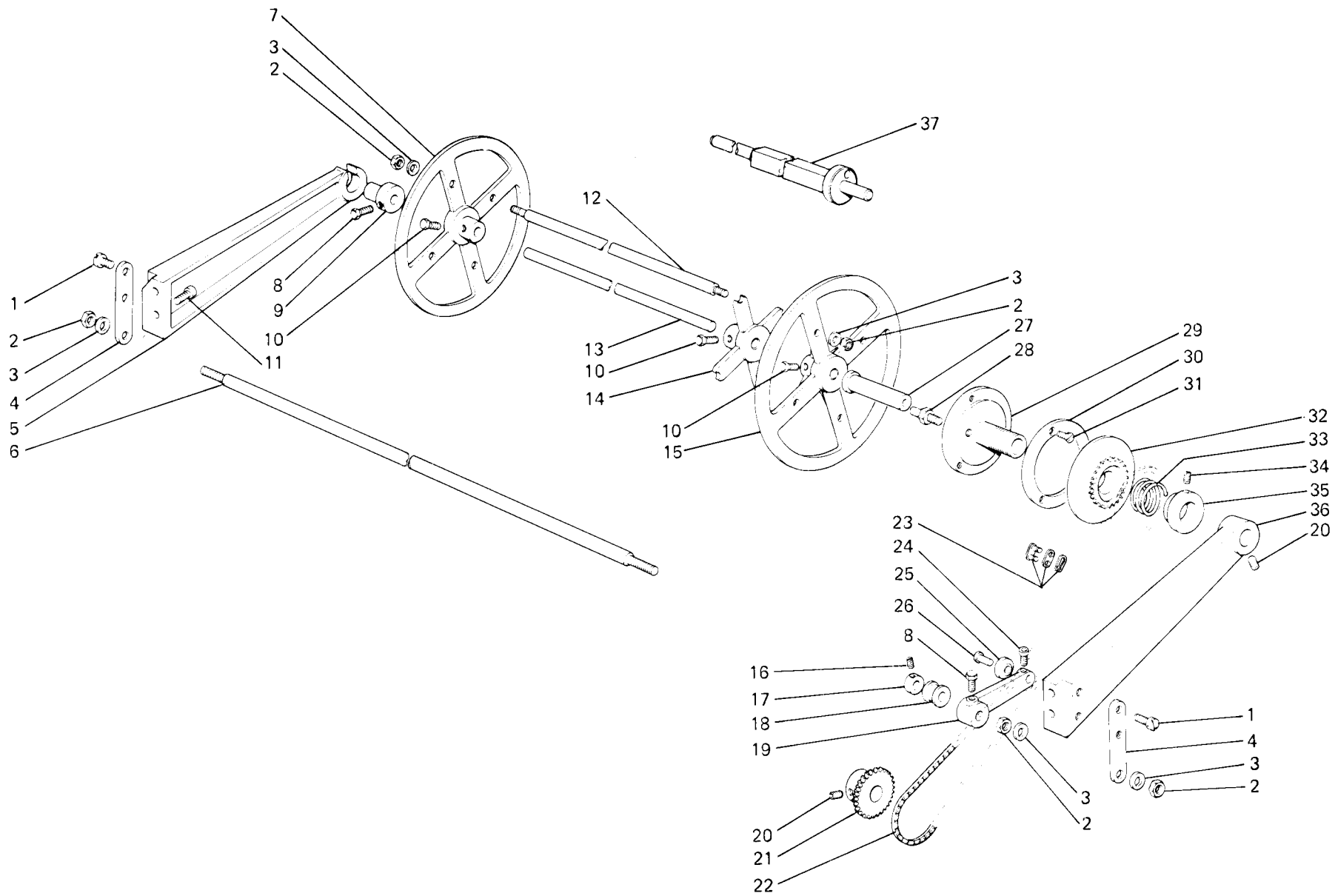


Fig. N. Abb. N.	Part. N. Bestell N. Piece N. Pieza N.	DESCRIZIONE	Fig. N. Abb. N.	Part. N. Bestell N. Piece N. Pieza N.	DESCRIZIONE
—	RZR-G015/80/374	aspo completo (escluso fig. 37) (800)			
—	RZR-G040/100/1067	aspo completo (escluso fig. 37) (1000)			
1	RZR-1/G/10	vite			
2	RZR-51/H/8	dado			
3	RZR-62/F/8	rondella			
4	RZR-015/60/210	piastrina			
5	RZR-015/60/234	supporto sinistro			
6	RZR-015/80/370	asta (800)			
6	RZR-040/100/1068	asta (1000)			
7	RZR-015/60/279	flangia sinistra (800)			
7	RZR-040/100/1079	flangia sinistra (1000)			
8	RZR-36/G/20	vite			
9	RZR-015/60/212	bussola			
10	RZR-36/F/10	vite			
11	RZR-2/D/20	vite			
12	RZR-015/80/373	asta (800)			
12	RZR-040/100/1066	asta (1000)			
13	RZR-015/80/374	asta centrale (800)			
13	RZR-040/100/1067	asta centrale (1000)			
14	RZR-015/60/278	flangia centrale (800)			
14	RZR-040/100/1078	flangia centrale (1000)			
15	RZR-015/60/280	flangia destra (800)			
15	RZR-040/100/1077	flangia destra (1000)			
16	RZR-16/G/6	vite			
17	RZR-015/60/211	anello			
18	RZR-015/60/214	galoppino			
19	RZR-125/80/5350	supporto			
20	RZR-3/D/10	vite			
21	RZR-015/60/7829	ingranaggio conduttore fin. 15-14-12			
21	RZR-015/60/7848	ingranaggio conduttore fin. 10			
22	RZR-125/80/5351	catena			
23	RZR-G035/60/846	giunzione catena			
24	RZR-2/B/10	vite			
25	RZR-015/60/9507	rullino tendicatena			
26	RZR-015/60/9518	pernetto			
27	RZR-G015/60/217	perno frizione			
28	RZR-015/60/223	perno trascinatore			
29	RZR-015/60/302	flangia frizione			
30	RZR-015/60/304	anello frizione			
31	RZR-26/F/10	vite			
32	RZR-P082/150/2379	ingranaggio			
33	RZR-015/60/277	molla			
34	RZR-16/G/10	vite			
35	RZR-015/60/222	anello regolazione frizione			
36	RZR-015/60/235	supporto destro			
		<u>SOLO A RICHIESTA</u>			
37	RZR-P015/80/391	asta (800)			
37	RZR-P040/100/1085	asta (1000)			

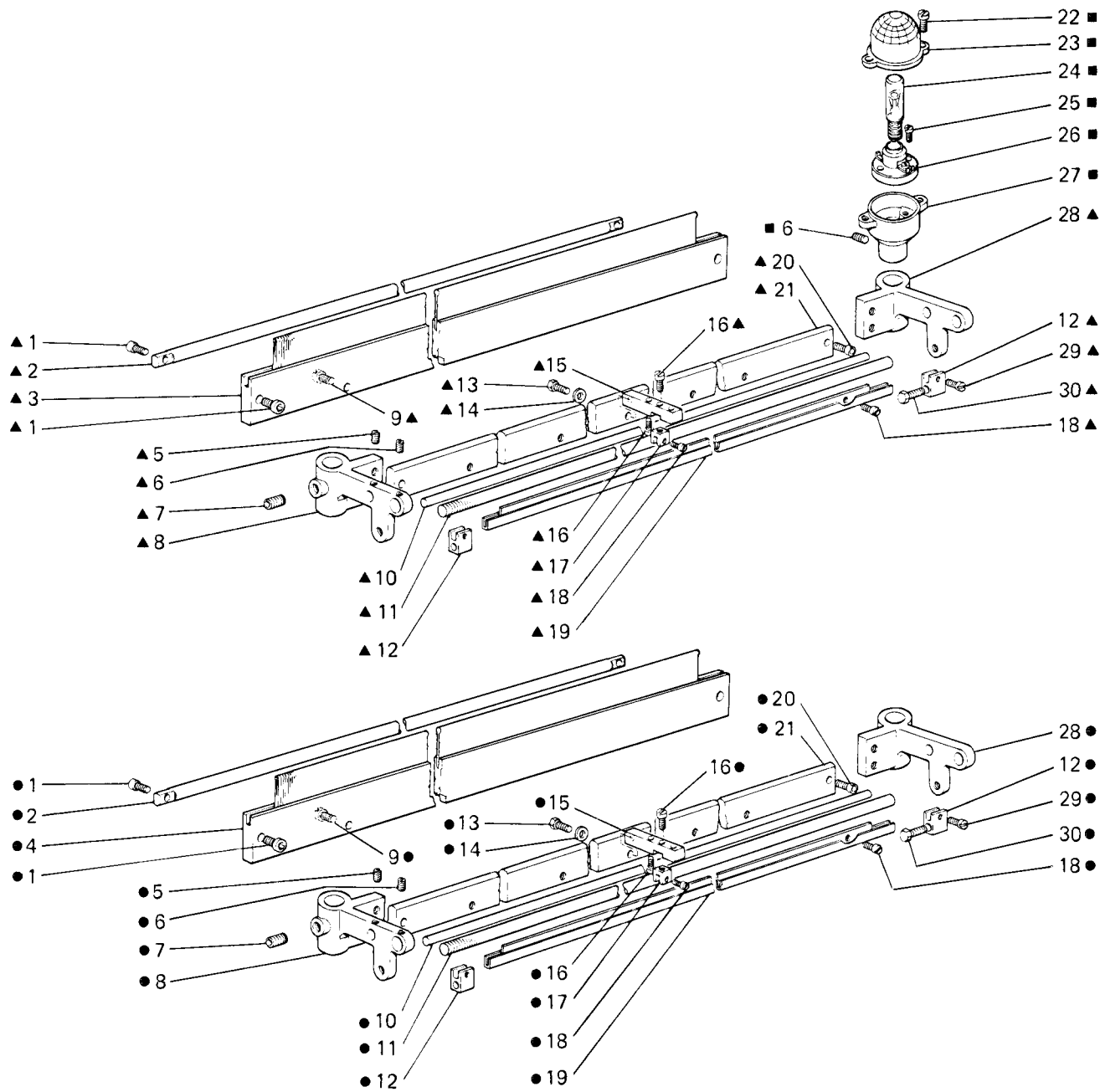


Fig. N. Abb. N.	Part. N. Bestell N. Piece N. Pieza N.	DESCRIZIONE	Fig. N. Abb. N.	Part. N. Bestell N. Piece N. Pieza N.	DESCRIZIONE
■	RZR-G135/80/5480	lampada spia completa	12	RZR-015/60/264	cavallotto
●	RZR-G135/80/5384	pettine trama completo fin. 15 (800)	13	RZR-36/F/20	vite
●	RZR-G134/80/5385	pettine trama completo fin. 14 (800)	14	RZR-62/D/6	rondella
●	RZR-G132/80/5386	pettine trama completo fin. 12 (800)	15	RZR-015/100/524	blocchetto
●	RZR-G010/80/4646	pettine trama completo fin. 10 (800)	16	RZR-1/E/15	vite
●	RZR-G135/100/5739	pettine trama completo fin. 15 (1000)	17	RZR-040/100/1020	cavallotto centrale
●	RZR-G134/100/5760	pettine trama completo fin. 14 (1000)	18	RZR-1/D/5	vite
●	RZR-G132/100/5761	pettine trama completo fin. 12 (1000)	19	RZR-G135/80/5381	comando arresto (800)
●	RZR-G010/100/4647	pettine trama completo fin. 10 (1000)	19	RZR-G135/100/5754	comando arresto (1000)
▲	RZR-G135/80/5384	pettine trama completo fin. 15 (800)	20	RZR-2/B/15	vite
▲	RZR-G134/80/5385	pettine trama completo fin. 14 (800)	21	RZR-015/100/521	asta porta pettine
▲	RZR-G132/80/5386	pettine trama completo fin. 12 (800)	22	RZR-1/E/10	vite
▲	RZR-G010/80/4652	pettine trama completo fin. 5 (800)	23	RZR-135/80/5482	calotta
▲	RZR-G135/100/5739	pettine trama completo fin. 15 (1000)	24	RZR-015/60/8681	lampada
▲	RZR-G134/100/5760	pettine trama completo fin. 14 (1000)	25	RZR-1/C/10	vite
▲	RZR-G132/100/5761	pettine trama completo fin. 12 (1000)	26	RZR-135/80/5481	porta lampada
▲	RZR-G010/100/4653	pettine trama completo fin. 5 (1000)	27	RZR-135/80/5480	corpo porta lampada
1	RZR-2/B/12	vite	28	RZR-135/80/5375	supporto destro
2	RZR-135/80/5377	asta rinvio fili (800)	29	RZR-1/E/5	vite
3	RZR-015/80/395	pettine aperto fin. 15 (800)	30	RZR-36/F/25	vite
3	RZR-014/80/411	pettine aperto fin. 14 (800)			
3	RZR-012/80/490	pettine aperto fin. 12 (800)			
3	RZR-020/80/2553	pettine aperto fin. 5 (800)			
3	RZR-015/100/519	pettine aperto fin. 15 (1000)			
3	RZR-014/100/547	pettine aperto fin. 14 (1000)			
3	RZR-012/100/559	pettine aperto fin. 12 (1000)			
3	RZR-020/100/2557	pettine aperto fin. 5 (1000)			
4	RZR-015/80/395	pettine aperto fin. 15 (800)			
4	RZR-014/80/411	pettine aperto fin. 14 (800)			
4	RZR-012/80/490	pettine aperto fin. 12 (800)			
4	RZR-020/80/2551	pettine aperto fin. 10 (800)			
4	RZR-015/100/519	pettine aperto fin. 15 (1000)			
4	RZR-014/100/547	pettine aperto fin. 14 (1000)			
4	RZR-012/100/559	pettine aperto fin. 12 (1000)			
4	RZR-020/100/2556	pettine aperto fin. 10 (1000)			
5	RZR-16/G/8	vite			
6	RZR-16/G/6	vite			
7	RZR-3/D/10	vite			
8	RZR-135/80/5374	supporto sinistro			
9	RZR-1/G/10	vite			
10	RZR-015/80/380	asta per pettine (800)			
10	RZR-135/100/5763	asta per pettine (1000)			
11	RZR-135/80/5738	vite divisione fili fin. 15-14 (800)			
11	RZR-132/80/5383	vite divisione fili fin. 12 (800)			
11	RZR-010/80/4613	asta rinvio fili fin. 10 (800)			
11	RZR-135/100/5751	vite divisione fili fin. 15-14 (1000)			
11	RZR-132/100/5752	vite divisione fili fin. 12 (1000)			
11	RZR-010/100/4614	asta divisione fili fin. 10 (1000)			

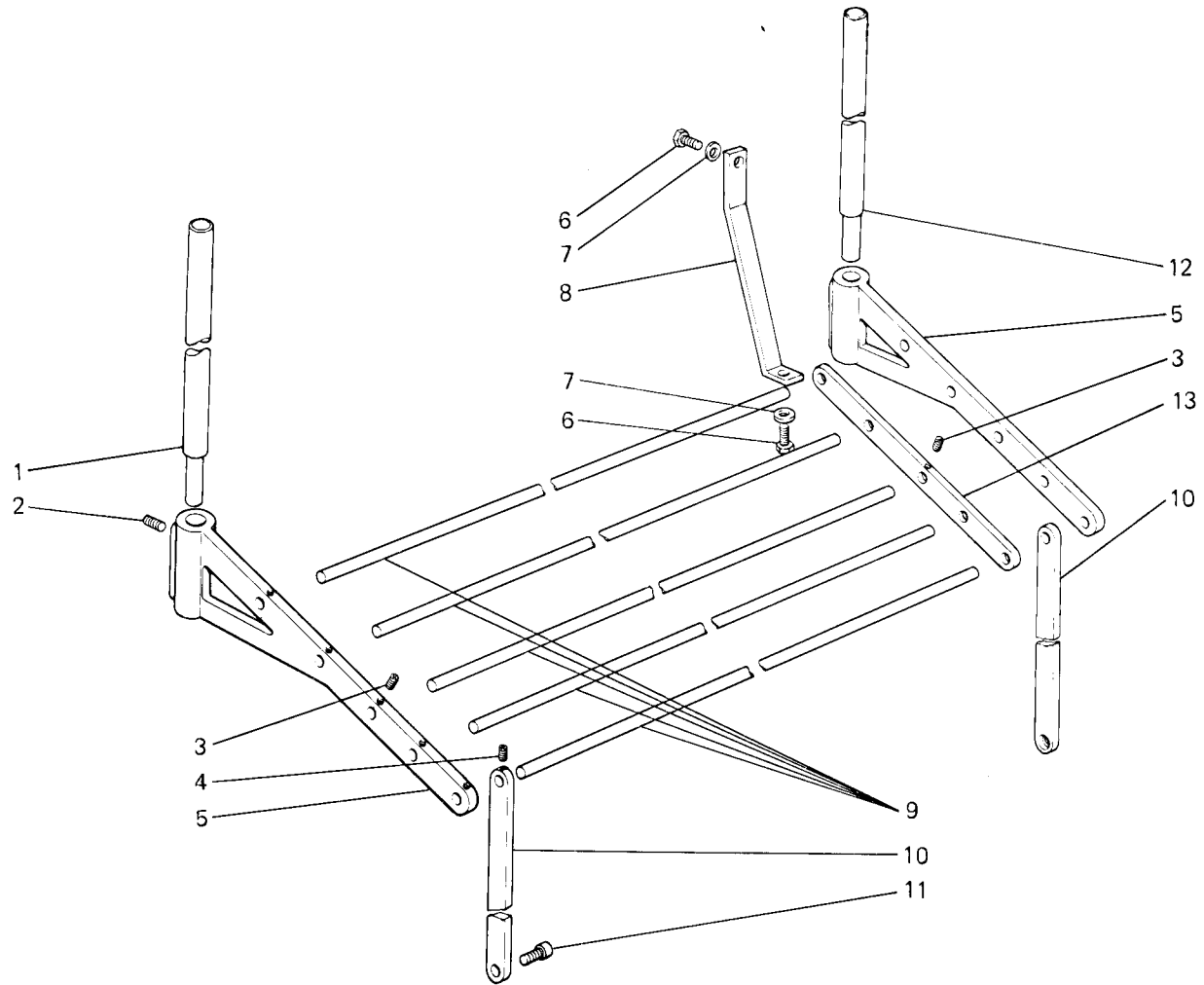


Fig. N. Abb. N.	Part. N. Bestell N. Piece N. Pieza N.	DESCRIZIONE	Fig. N Abb. N	Part. N. Bestell N. Piece N. Pieza N.	DESCRIZIONE
1	RZR-135/80/5372	piantana sinistra			
2	RZR-3/D/10	vite			
3	RZR-16/G/6	vite			
4	RZR-16/F/6	vite			
5	RZR-135/80/5376	supporto aste (800)			
5	RZR-135/100/5750	supporto aste (1000)			
6	RZR-36/F/15	vite			
7	RZR-62/D/6	rondella			
8	RZR-135/100/5757	piattina supporto			
9	RZR-015/80/380	asta divisione fili (800)			
9	RZR-040/100/1004	asta divisione fili (1000)			
10	RZR-135/80/5388	asta rinforzo (800)			
10	RZR-135/100/5762	asta rinforzo (1000)			
11	RZR-2/C/25	vite			
12	RZR-135/80/5371	piantana destra			
13	RZR-135/100/5756	supporto centrale			

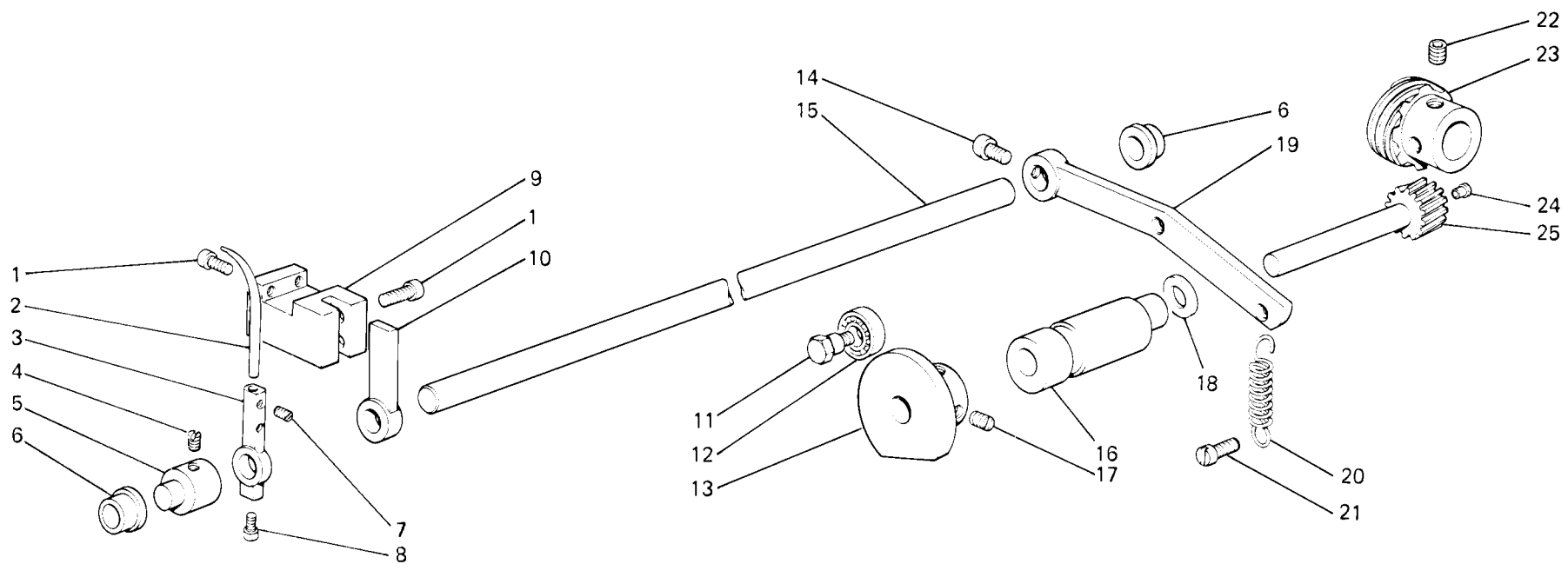


Fig. N. Abb. N.	Part. N. Bestell N. Piece N. Pieza N.	DESCRIZIONE	Fig. N. Abb. N.	Part. N. Bestell N. Piece N. Pieza N.	DESCRIZIONE
—	RZR-PICHER	gruppo picher (escluso fig. 6) (800)			
—	RZR-PICHER	gruppo picher (escluso fig. 6) (1000)			
1	RZR-2/B/15	vite			
2	RZR-015/60/8308	punta fin. 15-14-12			
2	RZR-040/100/8313	punta fin. 10			
3	RZR-020/60/610	supporto			
4	RZR-16/F/4	vite			
5	RZR-015/60/8310	bussola			
6	RZR-135/80/5088	bronzina			
7	RZR-16/D/5	vite			
8	RZR-2/A/10	vite			
9	RZR-015/60/8316	blocchetto			
10	RZR-015/60/8315	supporto			
11	RZR-40/G/5,5	vite			
12	RZR-4/A/8	cuscinetto			
13	RZR-015/60/8307	camma fin. 15-14-12			
13	RZR-015/60/8318	camma fin. 10			
14	RZR-2/B/10	vite			
15	RZR-015/60/8312	asta (800)			
15	RZR-040/100/8314	asta (1000)			
16	RZR-135/80/8323	eccentrico			
17	RZR-16/G/8	vite			
18	RZR-135/80/8324	distanziale			
19	RZR-015/60/8300	leva			
20	RZR-015/60/8301	molla			
21	RZR-1/E/10	vite			
22	RZR-3/E/8	vite			
23	RZR-015/60/8321	vite senza fine			
24	RZR-015/60/037	oliatore a sfera			
25	RZR-P135/80/8322	pignone con albero			

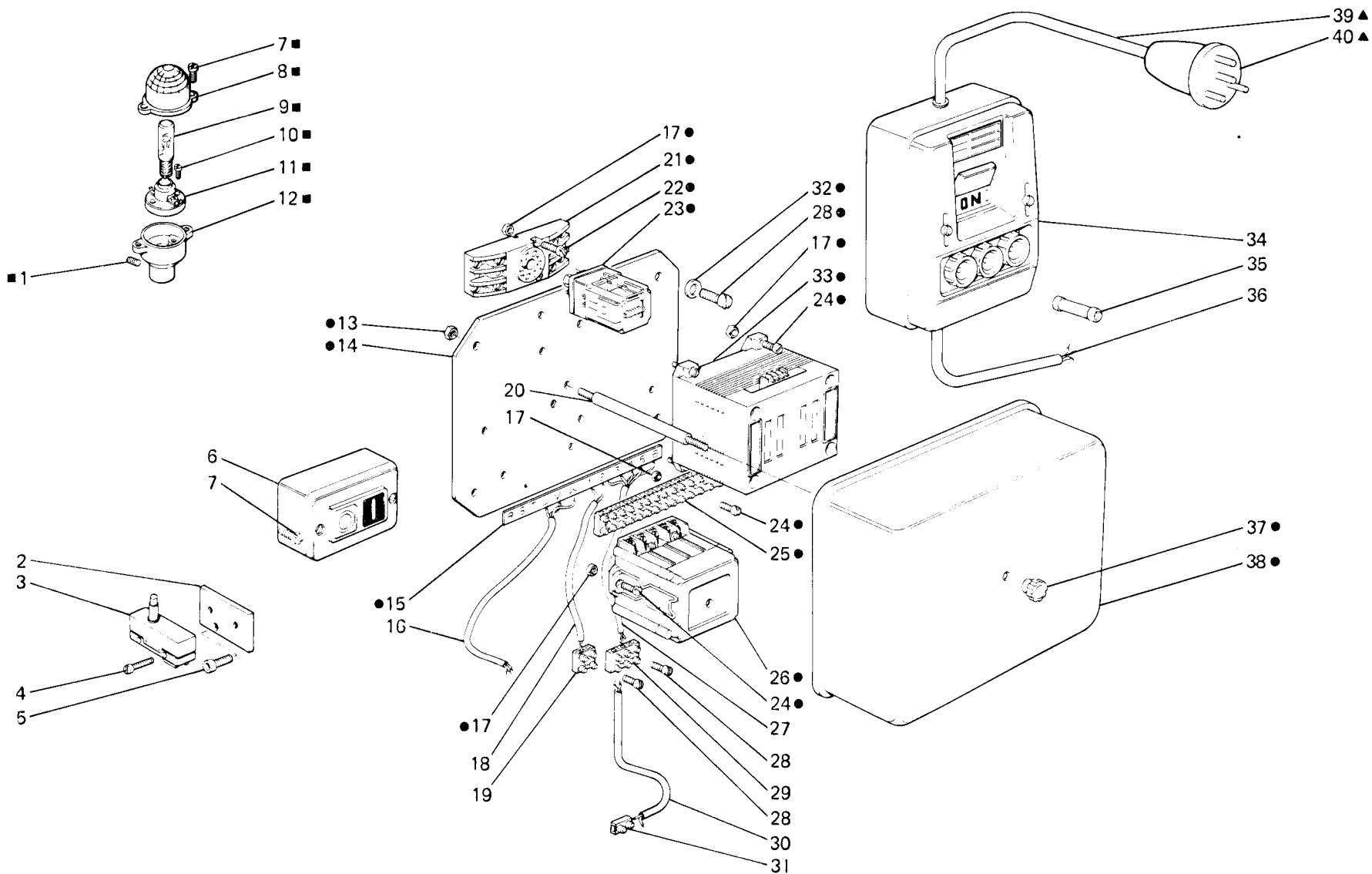
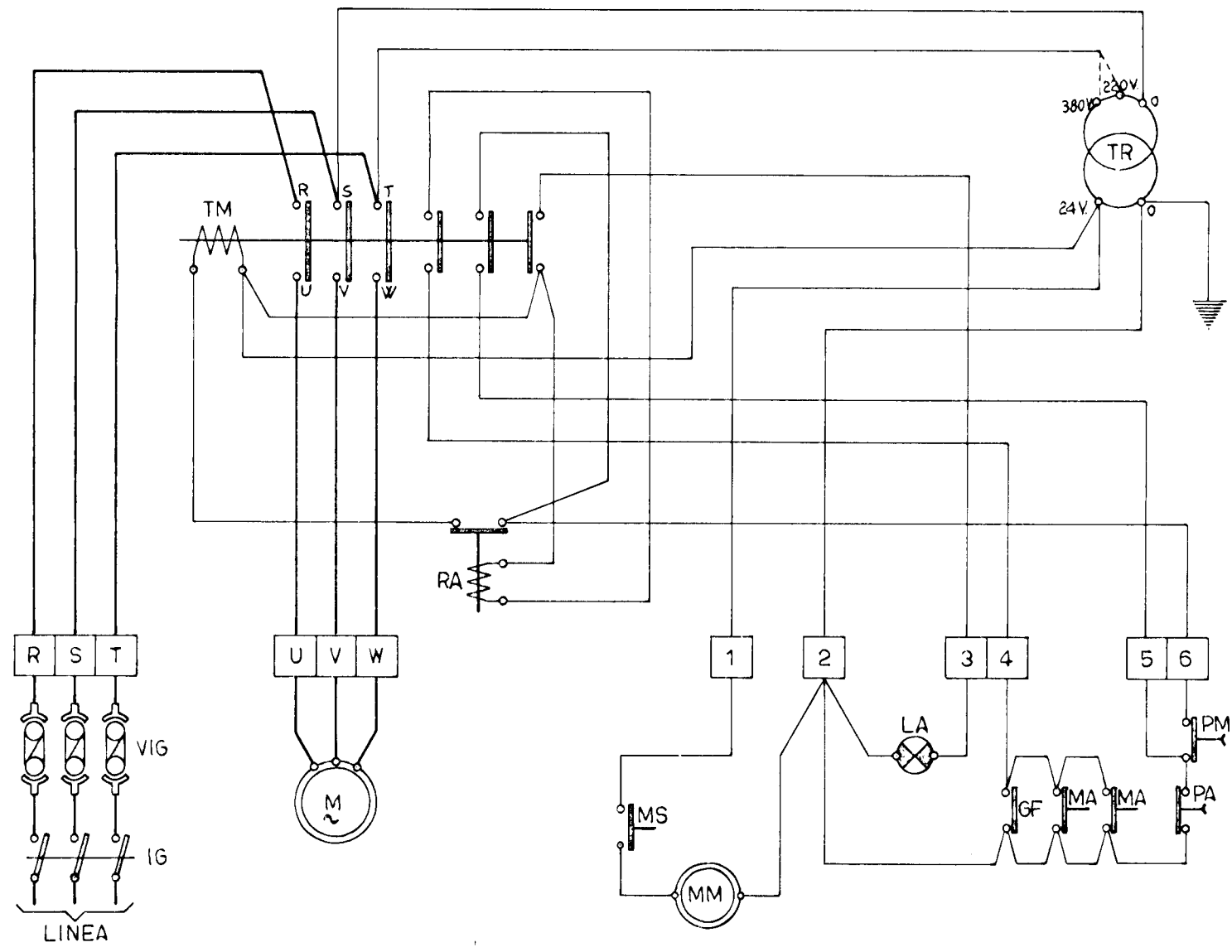


Fig. N. Abb. N.	Part. N. Bestell N. Piece N. Pieza N.	DESCRIZIONE	Fig. N. Abb. N.	Part. N. Bestell N. Piece N. Pieza N.	DESCRIZIONE
●	RZR-G015/80/4770	scatola elettrica completa			
■	RZR-G135/80/5480	lampada spia completa			
▲	RZR-G015/60/145	cavo completo di spina			
1	RZR-16/G/6	vite			
2	RZR-015/60/8689	piastrina			
3	RZR-015/60/8688	microcontatto			
4	RZR-1/E/25	vite			
5	RZR-2/B/15	vite			
6	RZR-015/60/158	pulsante marcia-arresto			
7	RZR-1/E/10	vite			
8	RZR-135/80/5482	calotta			
9	RZR-015/60/8681	lampada spia			
10	RZR-1/C/10	vite			
11	RZR-135/80/5481	porta lampada			
12	RZR-135/80/5480	corpo porta lampada			
13	RZR-51/F/5	dado			
14	RZR-P015/80/4770	piastra scatola elettrica			
15	RZR-015/60/240	piastrina basetta			
16	RZR-135/80/5478	cavo elettrico collegamento motore			
17	RZR-51/B/3	dado			
18	RZR-135/80/5473	cavo elettrico collegamento sollevatore			
19	RZR-135/80/5472	morsetto			
20	RZR-015/80/4771	perno fissaggio coperchio			
21	RZR-015/80/4773	zoccolo relé			
22	RZR-1/C/20	vite			
23	RZR-015/60/182	relé			
24	RZR-1/C/15	vite			
25	RZR-015/60/196	basetta			
26	RZR-015/60/195	teleruttore			
27	RZR-135/80/5479	cavo elettrico collegamento pulsante			
28	RZR-1/E/15	vite			
29	RZR-135/80/5483	morsetto			
30	RZR-135/80/5485	cavo elettrico collegamento lampada			
31	RZR-135/80/5484	morsetto			
32	RZR-62/A/4	rondella			
33	RZR-015/80/4772	trasformatore			
34	RZR-135/80/5474	interruttore generale			
35	RZR-135/80/5475	valvola interruttore			
36	RZR-135/80/5477	cavo elettrico collegamento interruttore			
37	RZR-015/60/068	ghiera			
38	RZR-015/60/164	coperchio scatola			
39	RZR-015/60/145	cavo alimentazione			
40	RZR-015/60/200	spina trifase			



RIF.	DESCRIZIONE
GF	Arresti guardiafilii
IG	Interruttore generale
LA	Lampada spia arresto macchina
M	Motore
MA	Microinterruttori di arresto sui rulli del tiraggio
MM	Motore monofase per sollevatore automatico
MS	Microinterruttore per sollevatore automatico
PA	Pulsante arresto
PM	Pulsante marcia
RA	Relé arresti
TM	Teleruttore motore
TR	Trasformatore
VIG	Valvole interruttore generale

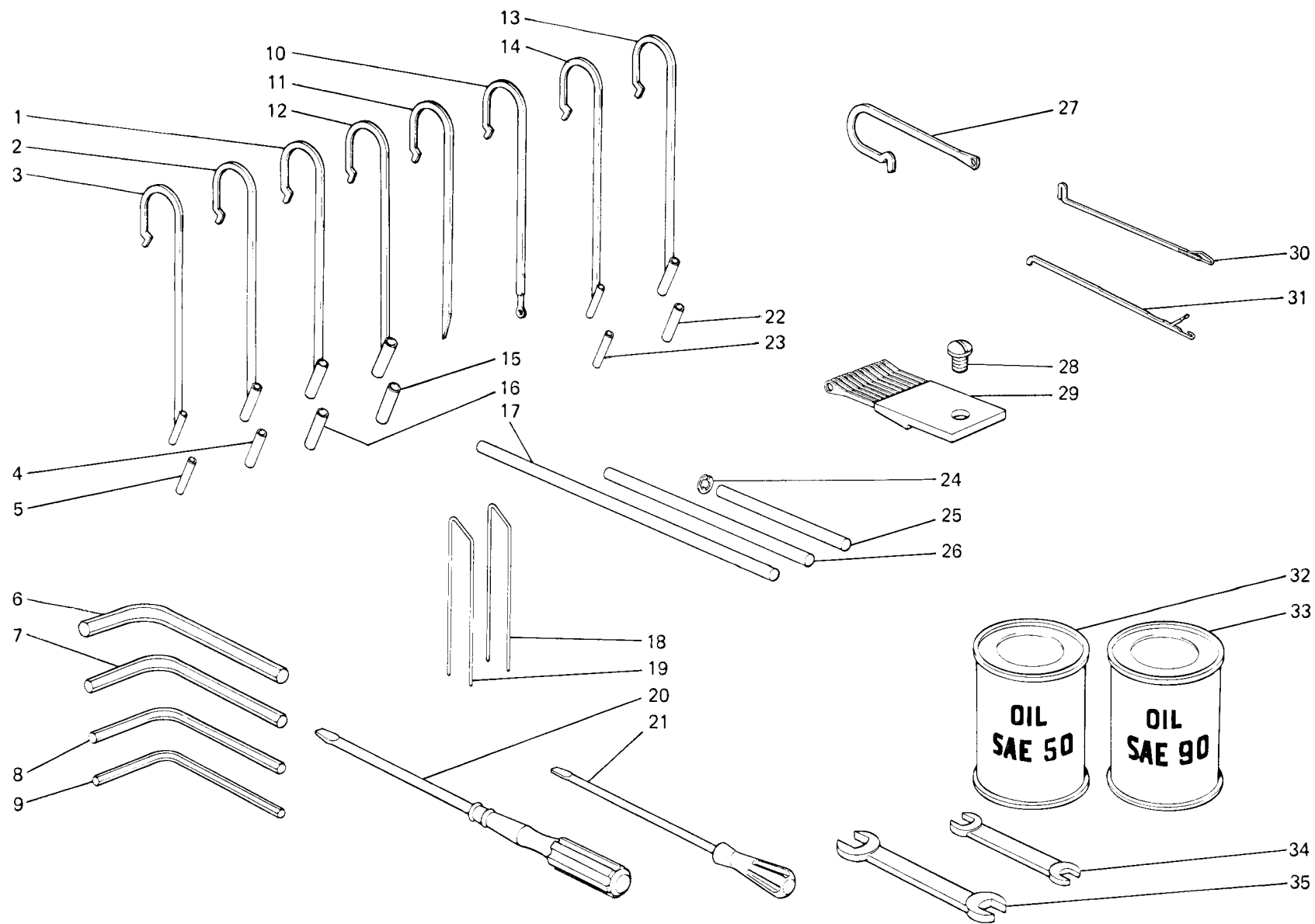


Fig. N. Abb. N.	Part. N. Bestell N. Piece N. Pieza N.	DESCRIZIONE	Fig. N. Abb. N.	Part. N. Bestell N. Piece N. Pieza N.	DESCRIZIONE
1	RZR-P015/60/295	guidafilo completo mm. 1,2			
2	RZR-P015/60/289	guidafilo completo mm. 1			
3	RZR-P015/60/298	guidafilo completo mm. 0,8			
4	RZR-015/60/289	tubetto guidafilo mm. 1			
5	RZR-015/60/298	tubetto guidafilo mm. 0,8			
6	RZR-015/60/573	chiave esagonale da 6			
7	RZR-015/60/572	chiave esagonale da 5			
8	RZR-015/60/571	chiave esagonale da 4			
9	RZR-015/60/570	chiave esagonale da 3			
10	RZR-015/60/286	guidafilo con occhiello			
11	RZR-015/60/288	gambo per tubetto			
12	RZR-P015/60/291	guidafilo completo mm. 1,4			
13	RZR-P040/100/1093	guidafilo completo mm. 4			
14	RZR-P040/100/1091	guidafilo completo mm. 3			
15	RZR-015/60/291	tubetto guidafilo mm. 1,4			
16	RZR-015/60/295	tubetto guidafilo mm. 1,2			
17	RZR-015/60/153	perno glider a 6 file			
18	RZR-015/60/257	cavaliere pesante			
19	RZR-015/60/258	cavaliere leggero			
20	RZR-015/60/577	cacciavite da 6			
21	RZR-015/60/576	cacciavite da 3			
22	RZR-020/60/612	tubetto guidafilo mm. 4			
23	RZR-020/60/611	tubetto guidafilo mm. 3			
24	RZR-7/A/4	anello di fermo			
25	RZR-015/60/344	perno glider a 3 file			
26	RZR-015/60/345	perno glider a 4 file			
27	RZR-020/60/684	passetta fin. 10			
28	RZR-41/B/7	vite			
29	RZR-P015/60/171	blocco passette fin. 15			
29	RZR-P014/60/427	blocco passette fin. 14			
29	RZR-P012/60/457	blocco passette fin. 12			
30	RZR-015/60/300	ago fin. 15-14-12			
31	RZR-020/60/683	ago fin. 10			
32	RZR-015/60/579	lattina olio SAE 50 lt. 1			
33	RZR-015/60/580	lattina olio SAE 90 lt. 1			
34	RZR-015/60/574	chiave fissa 8-10			
35	RZR-015/60/575	chiave fissa 13-17			

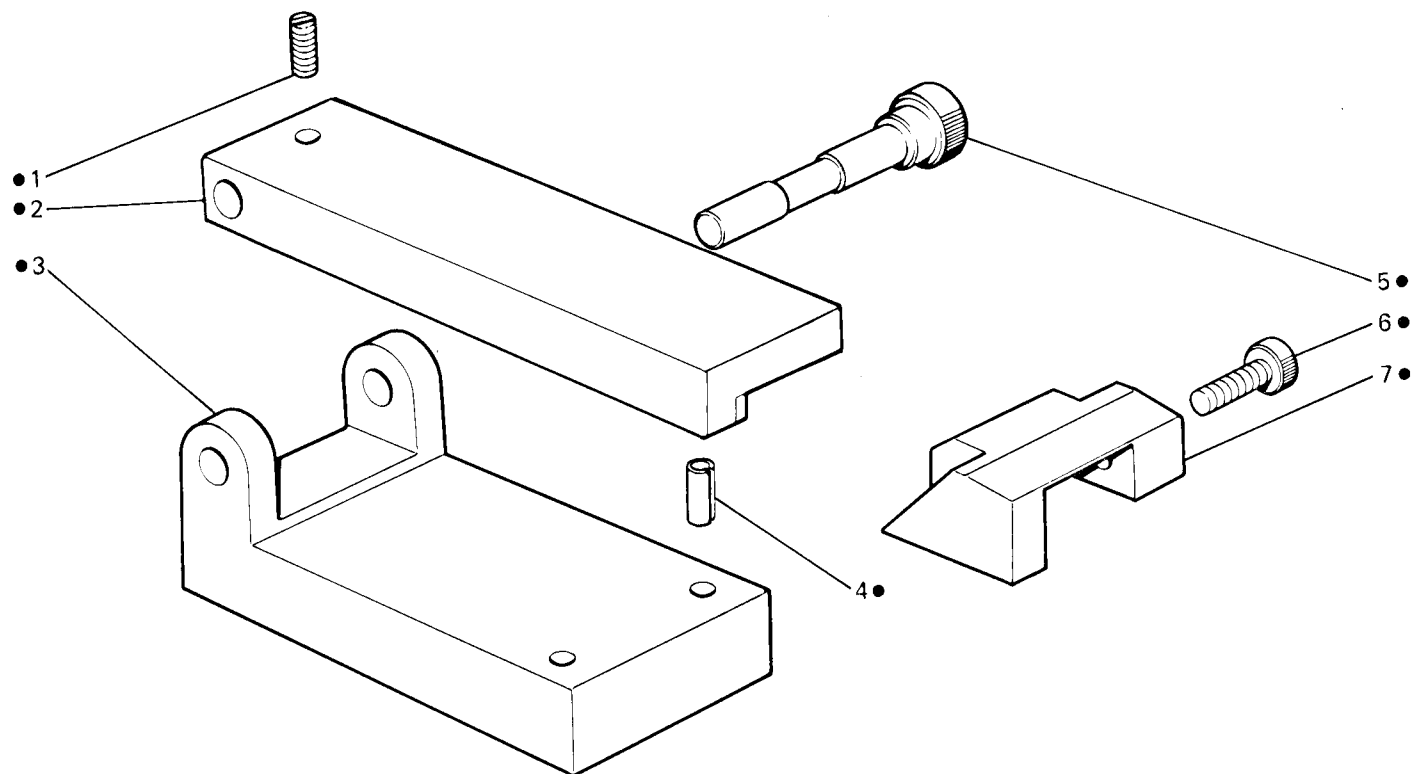


Fig. N. Abb. N.	Part. N. Bestell N. Piece N. Pieza N.	DESCRIZIONE	Fig. N. Abb. N.	Part. N. Bestell N. Piece N. Pieza N.	DESCRIZIONE
<ul style="list-style-type: none"> ● ● ● ● 1 2 2 2 2 3 4 5 6 7 	<ul style="list-style-type: none"> RZR-G015/60/9063 RZR-G014/60/9064 RZR-G012/60/9065 RZR-G040/100/9066 RZR-16/F/4 RZR-015/60/9063 RZR-014/60/9064 RZR-012/60/9065 RZR-040/100/9066 RZR-015/60/9060 RZR-8/C/26 RZR-015/60/9062 RZR-015/60/9077 RZR-015/60/9076 	<ul style="list-style-type: none"> attrezzo per glider fin. 15 attrezzo per glider fin. 14 attrezzo per glider fin. 12 attrezzo per glider fin. 10 vite staffa serraggio fin. 15 staffa serraggio fin. 14 staffa serraggio fin. 12 staffa serraggio fin. 10 blocchetto porta glider spina elastica perno pomolo corsoio 			

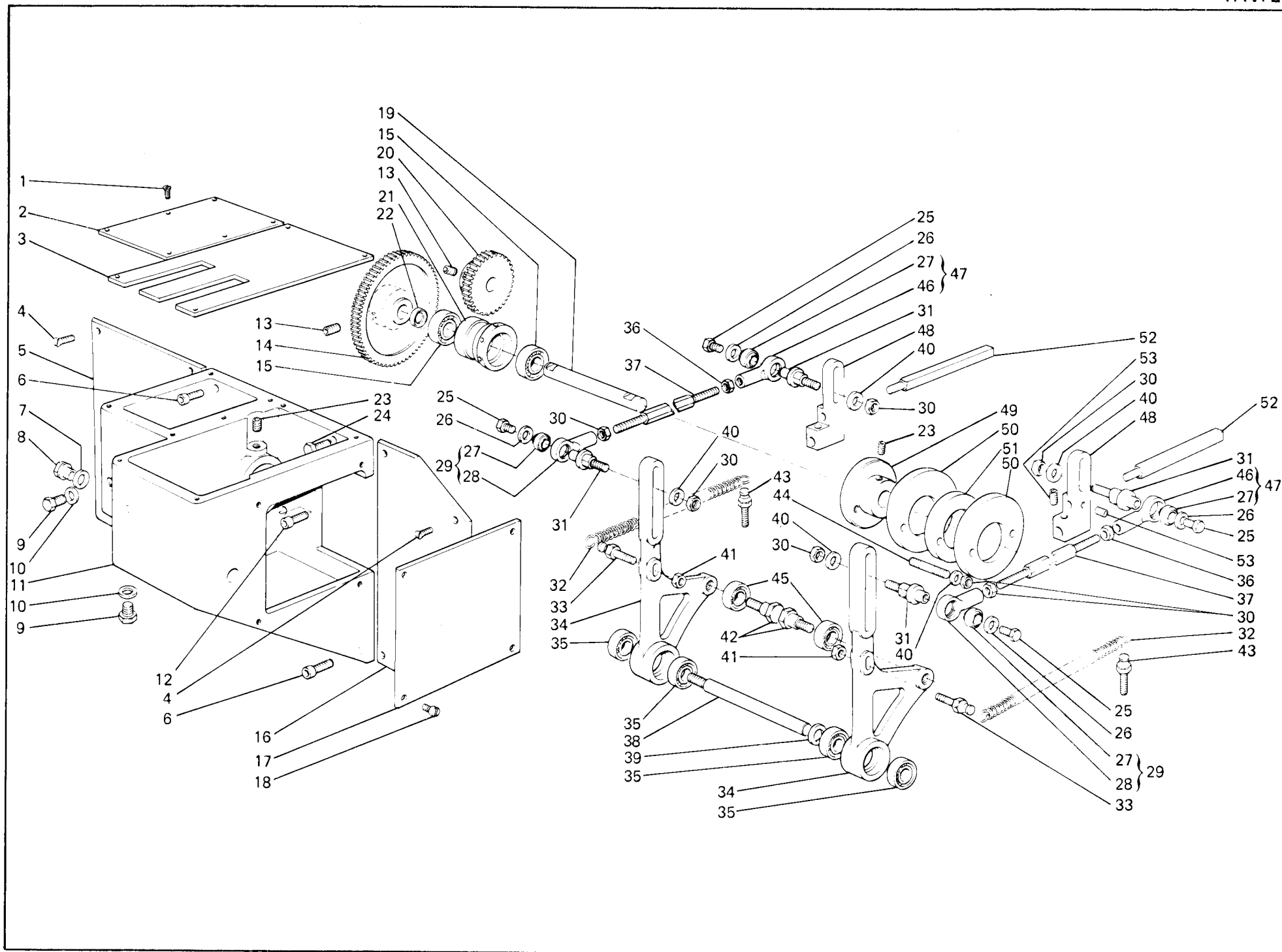


Fig. N. Abb. N.	Part. N. Bestell N. Piece N. Pieza N.	DESCRIZIONE	Fig. N. Abb. N.	Part. N. Bestell N. Piece N. Pieza N.	DESCRIZIONE
		<u>SOLO A RICHIESTA PER 1000 DI SERIE PER 800</u>			
—	RZR-TR	gruppo tramatore doppia camma da 7—18 aghi (800)	45	RZR-4/T/12	cuscinetto
—	RZR-TR	gruppo tramatore doppia camma da 7—18 aghi (1000)	46	RZR-015/60/7715	testa di biella filetto sinistro
1	RZR-41/B/7	vite	47	RZR-P015/60/7714	testa di biella filetto sinistro completa
2	RZR-135/80/7771	carter lato trasmissione	48	RZR-015/60/7719	supporto
3	RZR-135/80/7772	carter lato leva	49	RZR-135/80/7779	mozzo
4	RZR-26/F/10	vite	50	RZR-125/80/7796	camme barre da 7 a 10 aghi fin. 15-14-12-10
5	RZR-135/80/7775	coperchio posteriore	50	RZR-125/80/7792	camme barre da 11 a 14 aghi fin. 15-14-12-10
6	RZR-2/D/25	vite	50	RZR-125/80/7793	camme barre da 15 a 18 aghi fin. 15-14-12-10
7	RZR-58/F/16	rondella speciale	50	RZR-125/80/7794	camme barre da 19 a 22 aghi fin. 15-14-12 (800)
8	RZR-082/150/2020	livello olio	50	RZR-125/80/7795	camme barre da 23 a 30 aghi fin. 15-14-12 (800)
9	RZR-015/60/139	tappo scarico	51	RZR-015/60/7708	anello distanziale
10	RZR-125/80/4913	rondella	52	RZR-015/60/7722	pernetto
11	RZR-135/80/7770	supporto tramatore	53	RZR-3/D/6	vite
12	RZR-36/G/20	vite			
13	RZR-3/E/10	vite			
14	RZR-135/80/7776	ingranaggio			
15	RZR-4/H/20	cuscinetto			
16	RZR-135/80/7774	coperchio anteriore			
17	RZR-135/80/7773	carter lato camme			
18	RZR-1/G/10	vite			
19	RZR-135/80/7778	albero			
20	RZR-015/60/7703	ingranaggio conduttore			
21	RZR-135/80/7777	eccentrico porta cuscinetti			
22	RZR-17/Z/51	anello di tenuta			
23	RZR-3/E/15	vite			
24	RZR-36/G/25	vite			
25	RZR-36/E/10	vite			
26	RZR-14/B/5	rondella			
27	RZR-015/60/165	boccola oscillante			
28	RZR-015/60/7714	testa di biella filetto destro			
29	RZR-P015/60/7715	testa di biella filetto destro completa			
30	RZR-51/H/8	dado			
31	RZR-015/60/169	pernetto			
32	RZR-015/60/7707	molla			
33	RZR-015/60/7727	pernetto			
34	RZR-015/60/7710	leva			
35	RZR-4/F/15	cuscinetto			
36	RZR-015/60/7717	dadi filetto sinistro			
37	RZR-015/60/7718	braccio di biella			
38	RZR-135/80/7780	perno			
39	RZR-015/60/7711	anello distanziale			
40	RZR-62/F/8	rondella			
41	RZR-51/G/6	dado			
42	RZR-40/P/8	perno			
43	RZR-135/80/7781	pernetto			
44	RZR-015/60/7782	prigioniero			

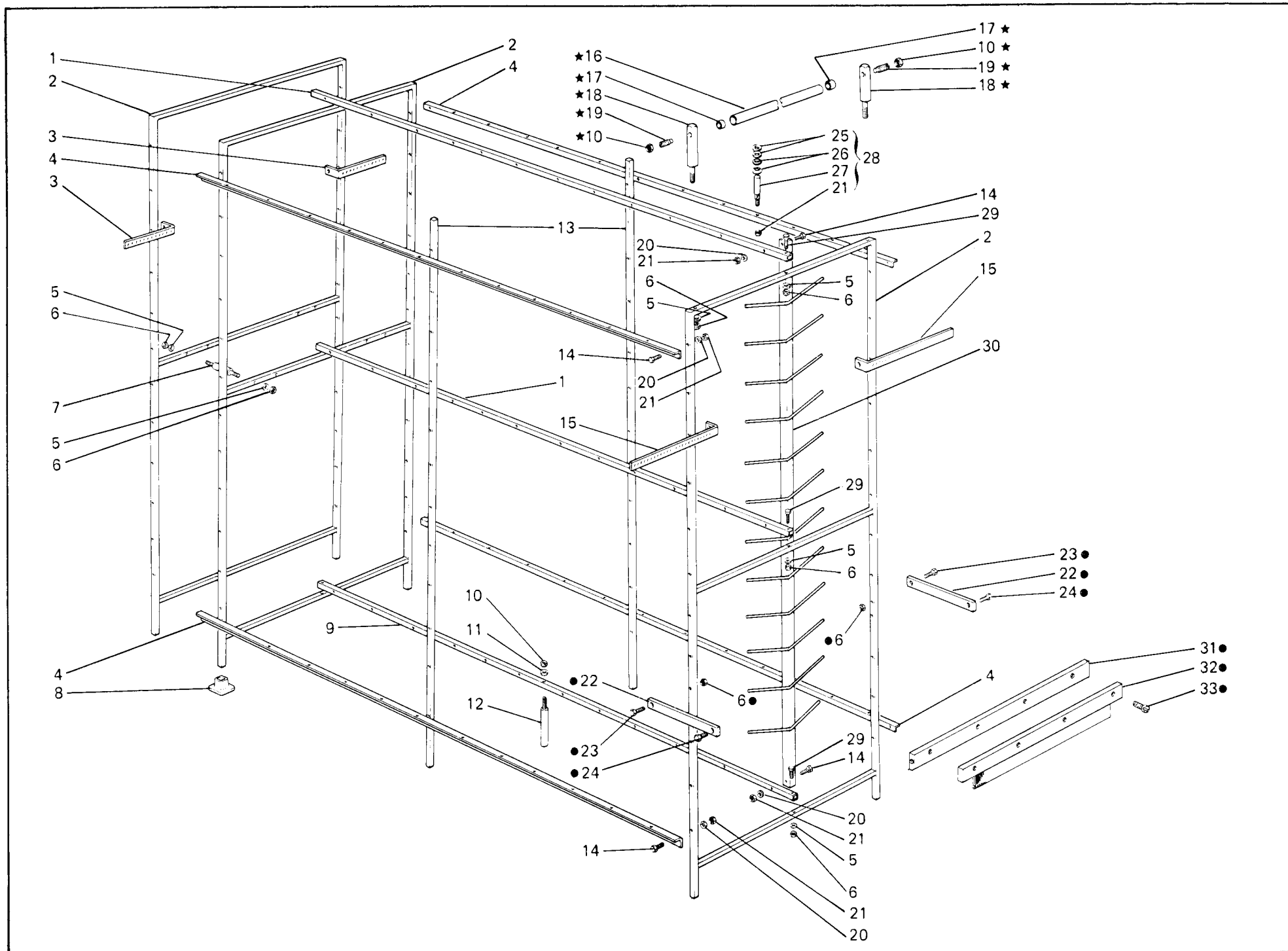


Fig. N. Abb. N.	Part. N. Bestell N. Piece N. Pieza N.	DESCRIZIONE	Fig. N. Abb. N.	Part. N. Bestell N. Piece N. Pieza N.	DESCRIZIONE
		<u>SOLO A RICHIESTA</u>			
—	RZR-12/MTN/288	cantra completa da 288 posti rocche			
—	RZR-12/MTN/576	cantra completa da 576 posti rocche			
●	RZR-G035/60/8809	pettine rinvio fili completo			
★	RZR-PEC	gruppo passaggio elastici			
1	RZR-015/60/7405	scatolato superiore e centrale			
2	RZR-015/60/7400	telaio			
3	RZR-015/60/7413	passafilo da 12 fori			
4	RZR-015/60/7402	angolare porta tensioni			
5	RZR-62/D/6	rondella			
6	RZR-51/G/6	dado			
7	RZR-040/100/8851	tirante unione cantre			
8	RZR-015/60/7410	pedino			
9	RZR-015/60/7406	scatolato inferiore			
10	RZR-51/H/8	dado			
11	RZR-62/F/8	rondella			
12	RZR-015/60/7508	sostegno centrale			
13	RZR-015/60/7407	scatolato sostegno centrale			
14	RZR-36/E/30	vite			
15	RZR-015/60/7414	passafilo da 24 fori			
16	RZR-015/60/8166	asta ruotante			
17	RZR-4/S/5	cuscinetto			
18	RZR-015/60/8142	sostegno			
19	RZR-015/60/8044	vite			
20	RZR-62/C/5	rondella			
21	RZR-51/F/5	dado			
22	RZR-035/60/8807	listello			
23	RZR-36/F/40	vite			
24	RZR-36/F/20	vite			
25	RZR-14/G/10	rondella			
26	RZR-035/60/8806	piattello tensione			
27	RZR-015/60/8261	perno tensione			
28	RZR-G015/60/8261	tensione completa			
29	RZR-36/F/50	vite			
30	RZR-P015/60/7509	angolare porta coni			
31	RZR-015/60/7443	asta porta pettine			
32	RZR-020/80/2551	pettine rinvio fili			
33	RZR-1/G/10	vite			

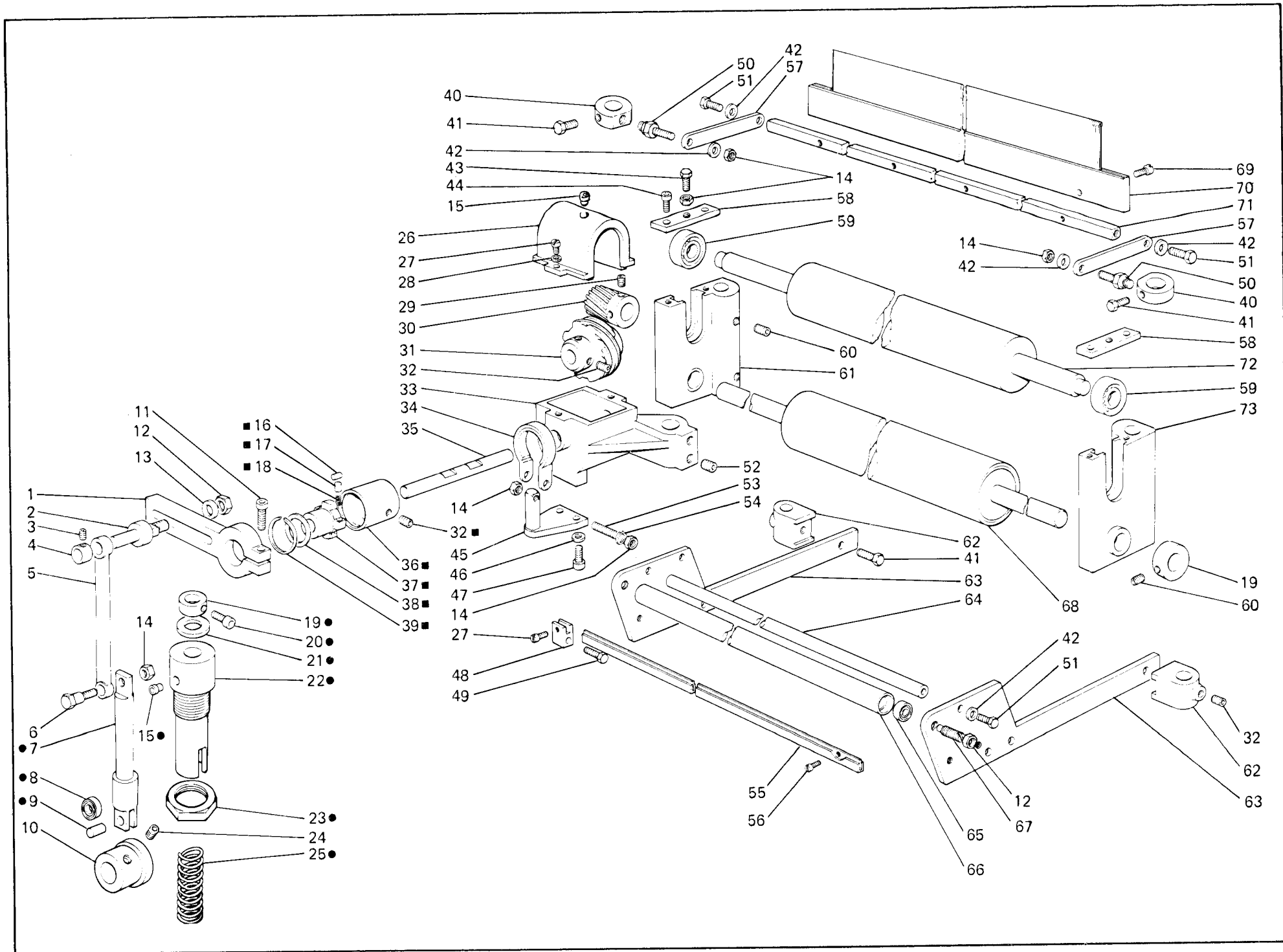


Fig. N. Abb. N.	Part. N. Bestell N. Piece N. Pieza N.	DESCRIZIONE	Fig. N. Abb. N.	Part. N. Bestell N. Piece N. Pieza N.	DESCRIZIONE
		<u>SOLO A RICHIESTA</u>			
■	RZR-G015/60/8114	scatto completo (800)	46	RZR-62/C/5	rondella (800)
●	RZR-G015/60/7984	pistone cannotto completo (800)	47	RZR-2/B/15	vite (800)
1	RZR-015/60/8017	leva scatto (800)	48	RZR-015/60/264	cavallotto (800)
2	RZR-015/60/7988	perno braccio (800)	49	RZR-36/F/22	vite (800)
3	RZR-16/F/4	vite (800)	50	RZR-015/60/7996	perno (800)
4	RZR-015/60/191	anello (800)	51	RZR-36/F/15	vite (800)
5	RZR-015/60/8075	braccio alimentatore (800)	52	RZR-3/E/10	vite (800)
6	RZR-40/B/14	vite (800)	53	RZR-015/60/8007	perno filettato (800)
7	RZR-015/80/7984	pistone (800)	54	RZR-50/D/6	rondella elastica (800)
8	RZR-4/D/10	cuscinetto (800)	55	RZR-G015/80/382	comando arresto automatico (800)
9	RZR-015/60/125	perno (800)	56	RZR-1/D/5	vite (800)
10	RZR-015/60/8000	camme alimentatore (800)	57	RZR-015/60/8029	piattina (800)
11	RZR-2/C/25	vite (800)	58	RZR-015/60/7989	piastrina (800)
12	RZR-51/H/8	dado (800)	59	RZR-4/E/12	cuscinetto (800)
13	RZR-62/F/8	rondella (800)	60	RZR-16/G/6	vite (800)
14	RZR-51/G/6	dado (800)	61	RZR-P015/60/7993	supporto sinistro (800)
15	RZR-015/60/037	oliatore a sfera (800)	62	RZR-015/60/8069	supporto (800)
16	RZR-015/60/8022	rullino scatto (800)	63	RZR-015/60/8083	piattina (800)
17	RZR-015/60/8023	capsula (800)	64	RZR-015/60/8035	asta rinvio (800)
18	RZR-015/60/8024	molletta (800)	65	RZR-4/S/5	cuscinetto (800)
19	RZR-015/60/245	anello (800)	66	RZR-015/80/8036	asta ruotante (800)
20	RZR-2/C/10	vite (800)	67	RZR-015/80/8044	vite (800)
21	RZR-58/E/15	rondella speciale (800)	68	RZR-P015/80/8043	rullo inferiore (800)
22	RZR-015/60/8059	canotto (800)	69	RZR-1/G/10	vite (800)
23	RZR-015/60/156	ghiera (800)	70	RZR-015/80/8079	pettine alimentatore fin. 15 (800)
24	RZR-3/E/8	vite (800)	70	RZR-014/80/8080	pettine alimentatore fin. 14 (800)
25	RZR-015/60/8010	molla (800)	70	RZR-012/80/8081	pettine alimentatore fin. 12 (800)
26	RZR-015/60/8071	coperchio (800)	70	RZR-010/80/7983	pettine alimentatore fin. 10 (800)
27	RZR-1/E/5	vite (800)	71	RZR-015/80/7998	asta porta pettine (800)
28	RZR-62/A/4	rondella (800)	72	RZR-P015/80/7991	rullo superiore (800)
29	RZR-3/D/8	vite (800)	73	RZR-P015/60/7992	supporto destro (800)
30	RZR-015/60/8072	pignone (800)			
31	RZR-015/60/8073	ruota elicoidale (800)			
32	RZR-3/D/10	vite (800)			
33	RZR-P015/60/7995	supporto (800)			
34	RZR-P015/60/8021	freno (800)			
35	RZR-015/60/8064	perno (800)			
36	RZR-015/60/8114	esterno per scatto (800)			
37	RZR-P015/60/8112	interno per scatto (800)			
38	RZR-60/M/24	anello (800)			
39	RZR-015/60/8019	anello elastico (800)			
40	RZR-015/60/8027	anello sostegno pettine (800)			
41	RZR-36/F/10	vite (800)			
42	RZR-62/D/6	rondella (800)			
43	RZR-36/F/20	vite (800)			
44	RZR-2/B/10	vite (800)			
45	RZR-P015/60/7986	piastrina (800)			

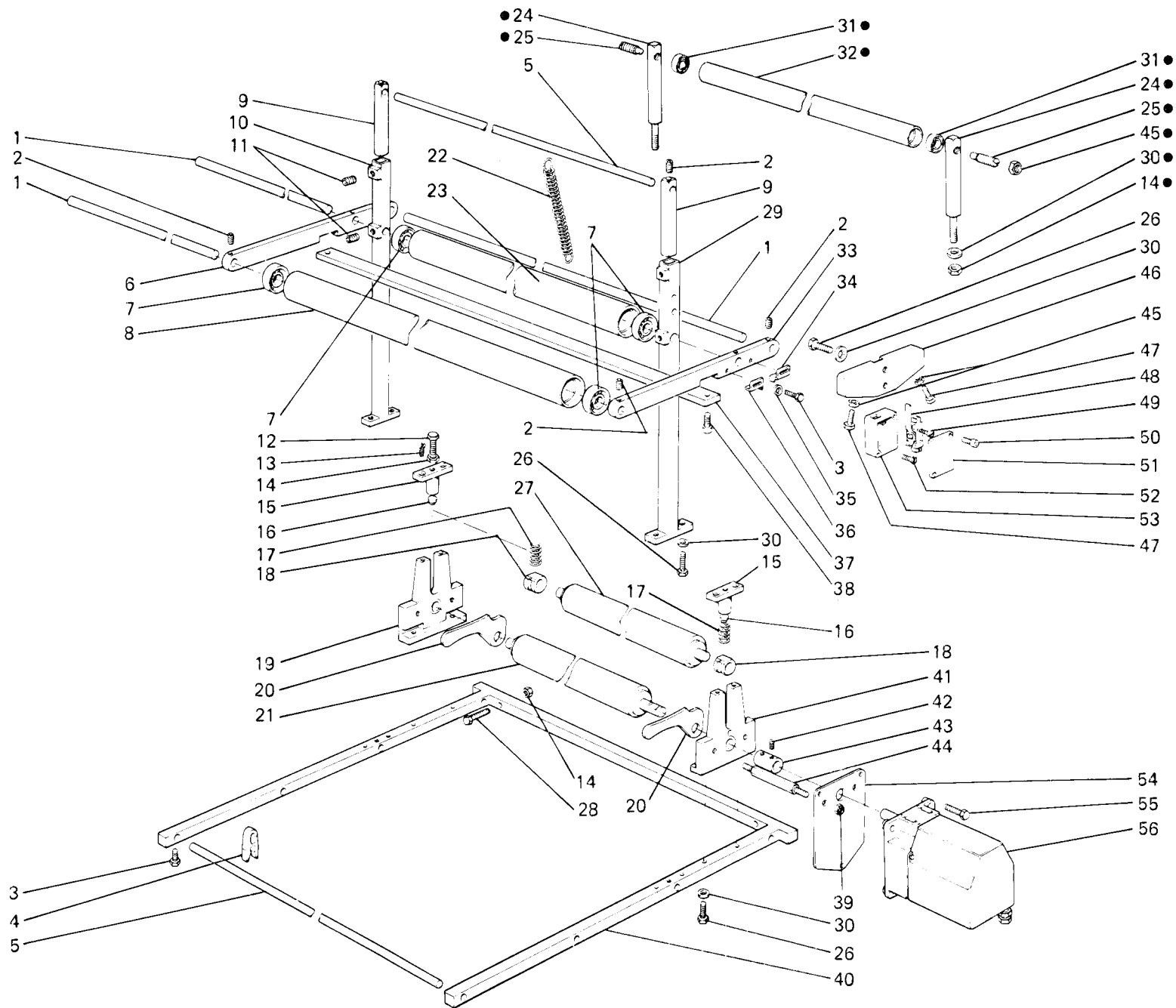


Fig. N. Abb. N.	Part. N. Bestell N. Piece N. Pieza N.	DESCRIZIONE	Fig. N. Abb. N.	Part. N. Bestell N. Piece N. Pieza N.	DESCRIZIONE
		<u>SOLO A RICHIESTA</u>			
—	RZR-SM	gruppo sollevatore elastico (escluso ●) (800)	45	RZR-51/H/8	dado (800)
●	RZR-PEC	gruppo passaggio elastici (800)	46	RZR-015/60/8189	piastrina arresto (800)
1	RZR-015/60/8188	perno (800)	47	RZR-36/G/20	vite (800)
2	RZR-3/D/8	vite (800)	48	RZR-015/60/8196	microinterruttore (800)
3	RZR-36/E/10	vite (800)	49	RZR-1/C/8	vite (800)
4	RZR-015/60/8150	molletta divisione elastici (800)	50	RZR-1/D/5	vite (800)
5	RZR-015/60/8182	asta (800)	51	RZR-015/60/8198	coperchio (800)
6	RZR-015/60/8168	asta destra (800)	52	RZR-26/E/8	vite (800)
7	RZR-4/F/15	cuscinetto (800)	53	RZR-015/60/8197	scatola (800)
8	RZR-015/60/8187	rullo lungo (800)	54	RZR-015/60/8177	piastra motore (800)
9	RZR-015/60/8194	perno (800)	55	RZR-36/E/20	vite (800)
10	RZR-P015/60/8190	piantana destra (800)	56	RZR-015/60/8172	motore (800)
11	RZR-3/D/10	vite (800)			
12	RZR-36/F/25	vite (800)			
13	RZR-26/E/10	vite (800)			
14	RZR-51/G/6	dado (800)			
15	RZR-015/60/8154	portamolla (800)			
16	RZR-015/60/8116	tappo (800)			
17	RZR-015/60/8191	molla (800)			
18	RZR-015/60/8001	bronzina (800)			
19	RZR-P015/60/8171	supporto destro (800)			
20	RZR-015/60/8127	leva (800)			
21	RZR-P015/60/8175	rullo inferiore (800)			
22	RZR-020/60/8707	molla (800)			
23	RZR-015/60/8173	rullo corto (800)			
24	RZR-015/60/8142	sostegno (800)			
25	RZR-015/80/8044	vite (800)			
26	RZR-36/F/30	vite (800)			
27	RZR-P015/60/8176	rullo superiore (800)			
28	RZR-36/F/50	vite (800)			
29	RZR-P015/60/8185	piantana sinistra (800)			
30	RZR-62/D/6	rondella (800)			
31	RZR-4/S/5	cuscinetto (800)			
32	RZR-015/60/8166	asta (800)			
33	RZR-015/60/8169	asta sinistra (800)			
34	RZR-015/60/8195	contrasto destro (800)			
35	RZR-62/C/5	rondella (800)			
36	RZR-015/60/8192	contrasto sinistro (800)			
37	RZR-015/60/8186	distanziale (800)			
38	RZR-2/C/14	vite (800)			
39	RZR-51/F/5	dado (800)			
40	RZR-P015/60/8174	telaio (800)			
41	RZR-P015/60/8170	supporto sinistro			
42	RZR-3/C/8	vite (800)			
43	RZR-015/60/8181	giunto (800)			
44	RZR-015/60/066	perno (800)			

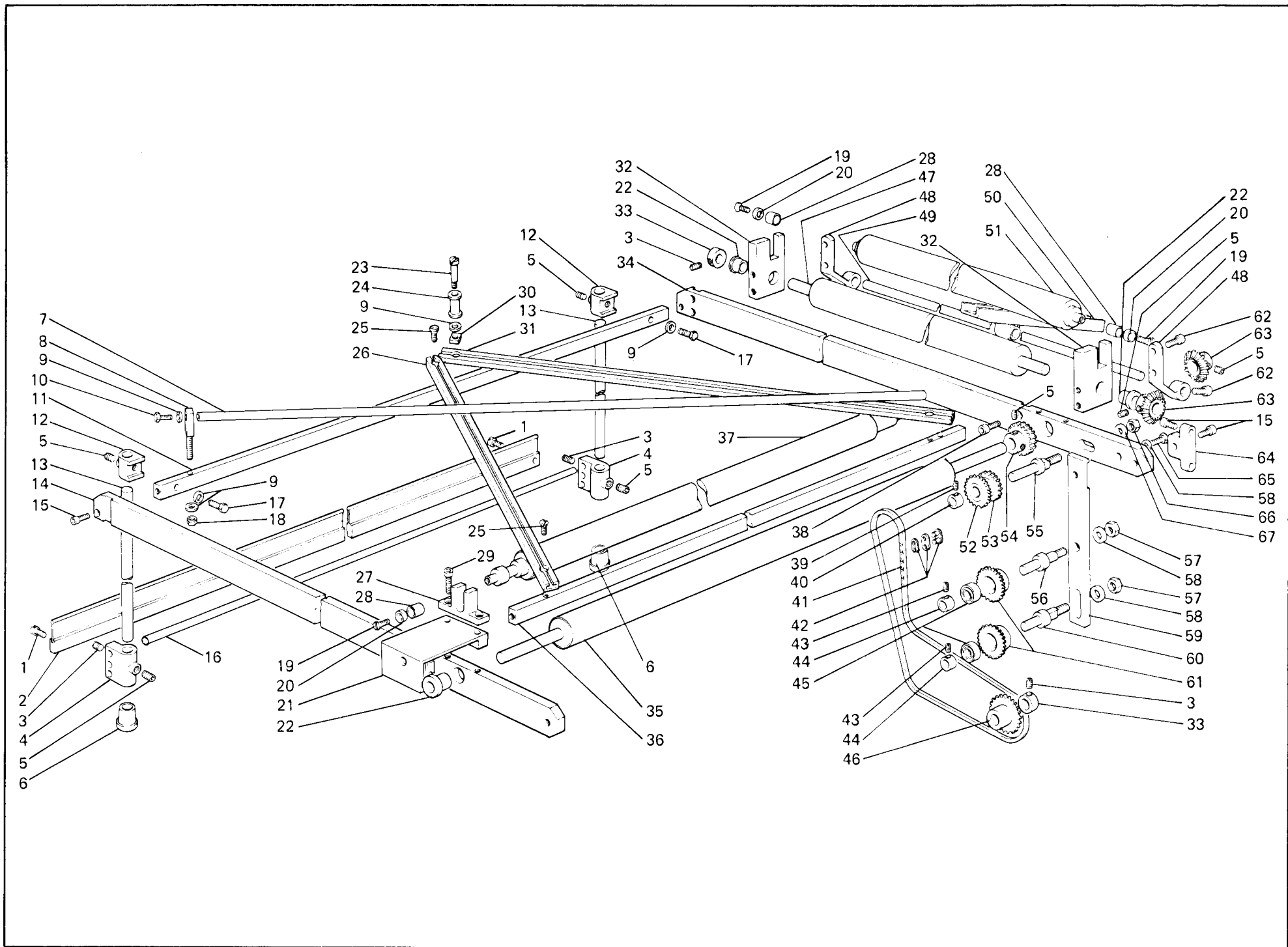


Fig. N. Abb. N.	Part. N. Bestell N. Piece N. Pieza N.	DESCRIZIONE	Fig. N. Abb. N.	Part. N. Bestell N. Piece N. Pieza N.	DESCRIZIONE
		<u>SOLO A RICHIESTA</u>			
—	RZR-REF	raccoglitore elastico finito completo fin. 15 (800)	27	RZR-015/60/7807	supporto guida
—	RZR-REF	raccoglitore elastico finito completo fin. 14 (800)	28	RZR-015/60/7834	boccola antivibrante
—	RZR-REF	raccoglitore elastico finito completo fin. 12 (800)	29	RZR-2/B/30	vite
—	RZR-REF	raccoglitore elastico finito completo fin. 10 (800)	30	RZR-015/60/7817	piastrina
—	RZR-REF	raccoglitore elastico finito completo fin. 15 (1000)	31	RZR-015/80/7917	guida destra (800)
—	RZR-REF	raccoglitore elastico finito completo fin. 14 (1000)	31	RZR-015/100/7932	guida destra (1000)
—	RZR-REF	raccoglitore elastico finito completo fin. 12 (1000)	32	RZR-135/80/7315	guida rulli laterali
—	RZR-REF	raccoglitore elastico finito completo fin. 10 (1000)	33	RZR-015/60/245	anello
1	RZR-1/H/10	vite	34	RZR-P135/80/7309	supporto destro
2	RZR-015/80/395	pettine anteriore e posteriore fin. 15 (800)	35	RZR-P135/80/7305	rullo inferiore centrale (800)
2	RZR-014/80/411	pettine anteriore e posteriore fin. 14 (800)	35	RZR-P015/100/7337	rullo inferiore centrale (1000)
2	RZR-012/80/490	pettine anteriore e posteriore fin. 12 (800)	36	RZR-135/80/7311	asta di collegamento centrale (800)
2	RZR-020/80/2551	pettine anteriore e posteriore fin. 10 (800)	36	RZR-015/100/7338	asta di collegamento centrale (1000)
2	RZR-015/100/519	pettine anteriore e posteriore fin. 15 (1000)	37	RZR-015/80/7909	rullo superiore centrale (800)
2	RZR-014/100/547	pettine anteriore e posteriore fin. 14 (1000)	37	RZR-015/100/7936	rullo superiore centrale (1000)
2	RZR-012/100/559	pettine anteriore e posteriore fin. 12 (1000)	38	RZR-2/C/16	vite
2	RZR-020/100/2556	pettine anteriore e posteriore fin. 10 (1000)	39	RZR-16/F/4	vite
3	RZR-16/G/6	vite	40	RZR-015/60/010	anello
4	RZR-135/80/7321	supporto, pettine (800)	41	RZR-135/80/7300	catena
4	RZR-015/100/7334	supporto pettine (1000)	42	RZR-G035/60/846	giunzione catena
5	RZR-3/D/8	vite	43	RZR-16/F/5	vite
6	RZR-135/80/7327	pedino	44	RZR-015/60/191	anello
7	RZR-135/80/7325	asta inclinata (800)	45	RZR-4/D/10	cuscinetto
7	RZR-015/100/7335	asta inclinata (1000)	46	RZR-015/60/7829	ingranaggio conduttore fin. 15-14-12
8	RZR-135/80/7324	blocchetto	46	RZR-015/60/7848	ingranaggio conduttore fin. 10
9	RZR-62/D/6	rondella	47	RZR-P135/80/7317	rullo inferiore laterale
10	RZR-36/F/20	vite	48	RZR-015/60/7813	supporto
11	RZR-135/80/7312	asta di collegamento (800)	49	RZR-015/80/7905	asta
11	RZR-015/100/7336	asta di collegamento (1000)	50	RZR-P015/60/7816	canalino
12	RZR-015/60/8069	supporto	51	RZR-015/80/7914	rullo superiore laterale
13	RZR-135/80/7320	aste regolabili	52	RZR-135/80/7329	ingranaggio condotto
14	RZR-P135/80/7310	supporto sinistro	52	RZR-135/80/7330	ingranaggio condotto
15	RZR-2/D/16	vite	53	RZR-135/80/7328	ingranaggio conduttore
16	RZR-015/60/364	asta rinvio fili (800)	54	RZR-015/60/7820	ingranaggio condotto
16	RZR-040/100/1061	asta rinvio fili (1000)	55	RZR-015/60/7846	perno
17	RZR-36/F/25	vite	56	RZR-135/80/7302	perno superiore
18	RZR-51/G/6	dado	57	RZR-51/H/8	dado
19	RZR-26/E/8	vite	58	RZR-62/F/8	rondella
20	RZR-60/R/4	rondella	59	RZR-135/80/7301	supporto
21	RZR-P135/80/7307	protezione	60	RZR-135/80/7303	perno inferiore
22	RZR-015/60/8013	bronzina	61	RZR-135/80/5156	ingranaggio
23	RZR-015/60/7811	perno	62	RZR-2/B/10	vite
24	RZR-015/60/7810	rullino	63	RZR-015/60/7835	ingranaggio conico
25	RZR-26/H/8	vite	64	RZR-135/80/7308	supporto
26	RZR-015/80/7919	guida sinistra (800)	65	RZR-36/G/20	vite
26	RZR-015/100/7939	guida sinistra (1000)	66	RZR-51/L/10	dado
			67	RZR-62/G/10	rondella

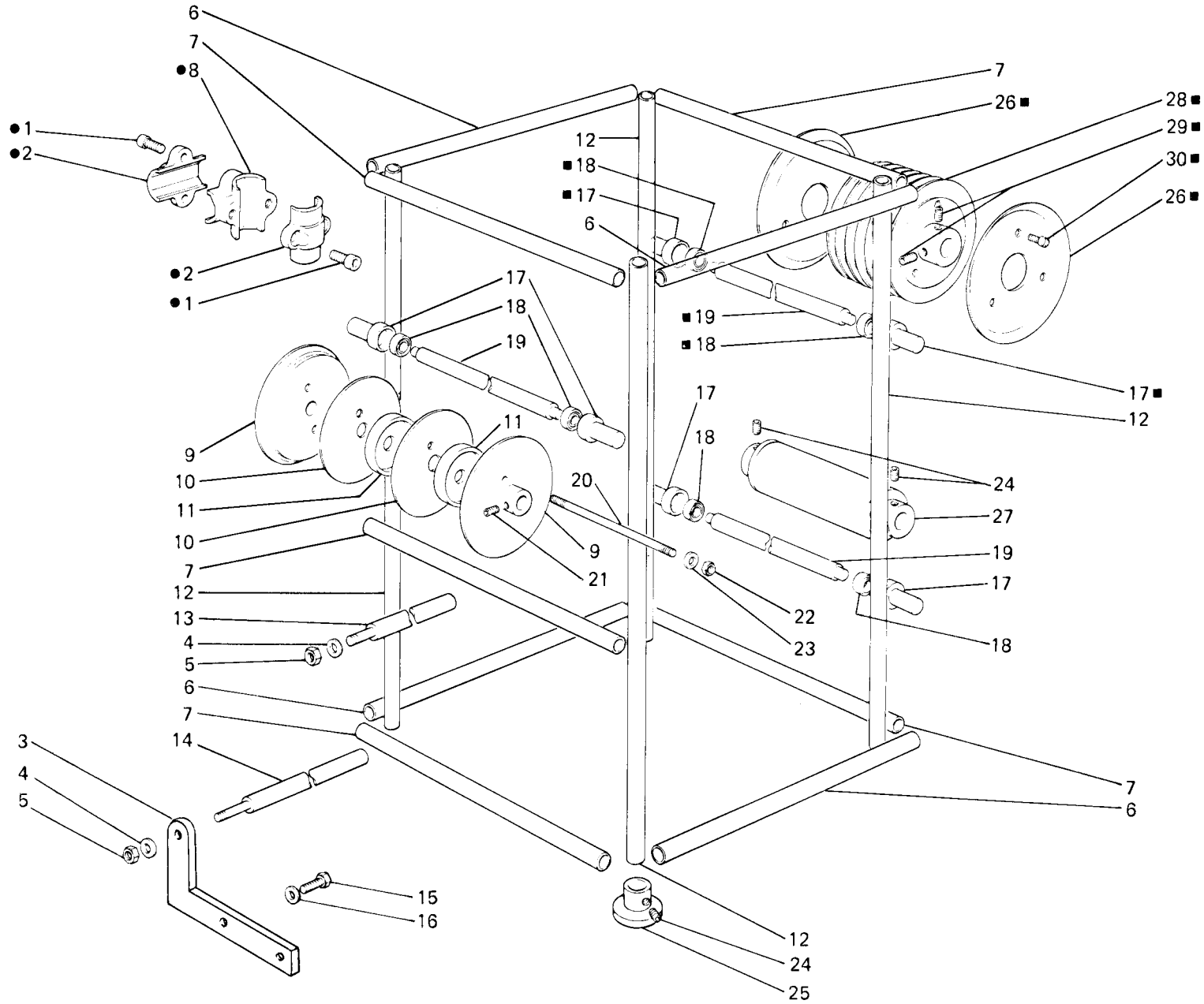


Fig. N. Abb. N.	Part. N. Bestell N. Piece N. Pieza N.	DESCRIZIONE	Fig. N. Abb. N.	Part. N. Bestell N. Piece N. Pieza N.	DESCRIZIONE
		<u>SOLO A RICHIESTA</u>			
—	RZR-6/P	prolungamento speciale catena completo			
●	RZR-G082/150/2431	morsetto completo			
■	RZR-G015/60/8564	rullo rinvio completo			
1	RZR-2/D/25	vite			
2	RZR-082/150/2432	coperchio morsetto			
3	RZR-P135/80/8595	traversino			
4	RZR-62/G/10	rondella			
5	RZR-51/L/10	dado			
6	RZR-135/80/8591	traversini lunghi			
7	RZR-135/80/8592	traversini corti			
8	RZR-082/150/2431	corpo morsetto			
9	RZR-015/60/8563	flangia			
10	RZR-015/60/8564	disco			
11	RZR-015/60/8565	distanziale			
12	RZR-135/80/8590	piantana			
13	RZR-135/80/8593	asta collegamento superiore			
14	RZR-135/80/8594	asta collegamento inferiore			
15	RZR-36/G/25	vite			
16	RZR-62/F/8	rondella			
17	RZR-075/100/2634	porta cuscinetto			
18	RZR-4/F/15	cuscinetto			
19	RZR-135/80/8596	perno rullo			
20	RZR-015/60/8584	tirante			
21	RZR-3/E/10	vite			
22	RZR-51/G/6	dado			
23	RZR-62/D/6	rondella			
24	RZR-3/D/10	vite			
25	RZR-082/150/2421	piellino			
26	RZR-015/60/320	flangia tamburo			
27	RZR-P015/60/8589	rullo liscio rinvio			
28	RZR-015/60/8585	rullo rinvio con cave			
29	RZR-3/E/15	vite			
30	RZR-1/H/10	vite			

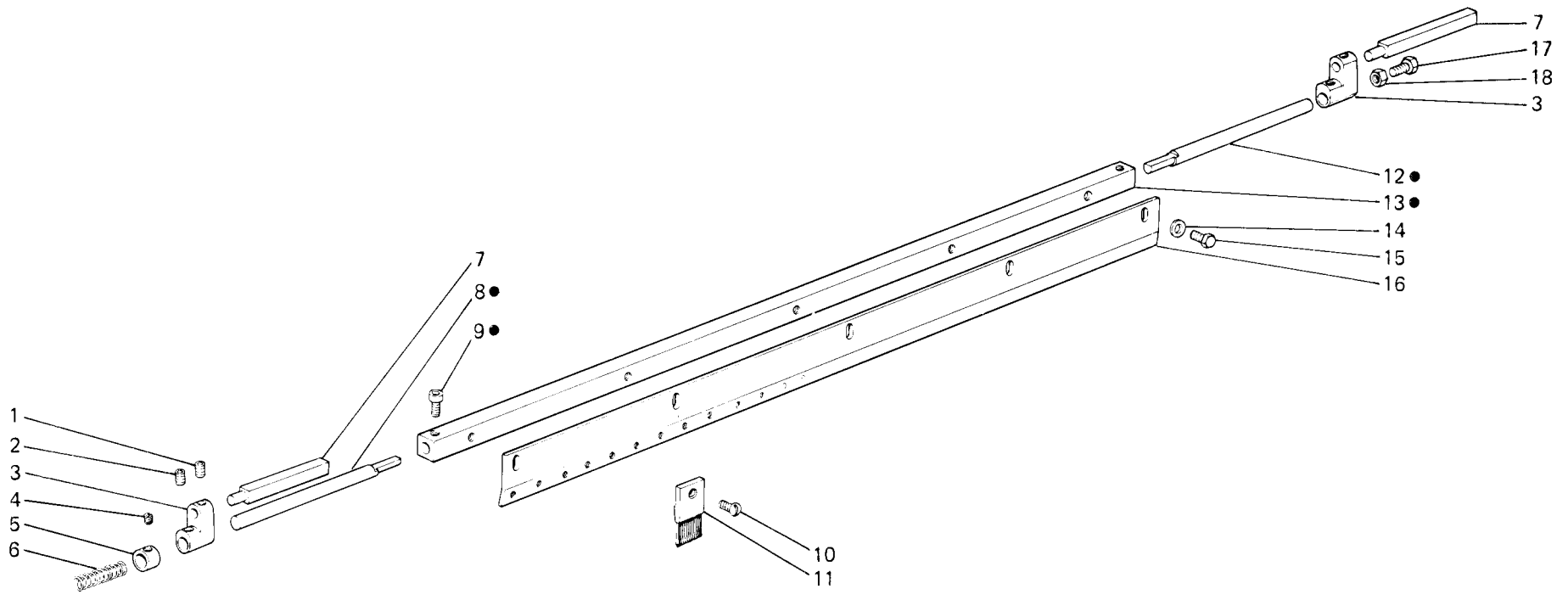


Fig. N. Abb. N.	Part. N. Bestell N. Piece N. Pieza N.	DESCRIZIONE	Fig. N. Abb. N.	Part. N. Bestell N. Piece N. Pieza N.	DESCRIZIONE
		<u>SOLO A RICHIESTA</u>			
—	RZR-BPE	gruppo barra passette fin. 15 (800)			
—	RZR-BPE	gruppo barra passette fin. 14 (800)			
—	RZR-BPE	gruppo barra passette fin. 12 (800)			
●	RZR-G135/80/9414	barra passette completa (800)			
1	RZR-3/D/6	vite (800)			
2	RZR-3/D/8	vite (800)			
3	RZR-015/60/187	supporto barre (800)			
4	RZR-16/F/4	vite (800)			
5	RZR-015/60/010	anello (800)			
6	RZR-015/60/8047	molla (800)			
7	RZR-015/60/188	spina (800)			
8	RZR-125/80/4866	perno lungo (800)			
9	RZR-2/C/10	vite (800)			
10	RZR-41/B/7	vite (800)			
11	RZR-P015/60/171	blocco passette fin. 15 (800)			
11	RZR-P014/60/427	blocco passette fin. 14 (800)			
11	RZR-P012/60/457	blocco passette fin. 12 (800)			
12	RZR-135/80/5227	perno corto (800)			
13	RZR-015/80/9430	barra passette (800)			
14	RZR-62/C/5	rondella (800)			
15	RZR-36/E/10	vite (800)			
16	RZR-015/80/9431	lamella porta passette fin. 15-14 (800)			
16	RZR-015/80/9434	lamella porta passette fin. 12 (800)			
17	RZR-36/R/25	vite (800)			
18	RZR-51/G/6	dado (800)			

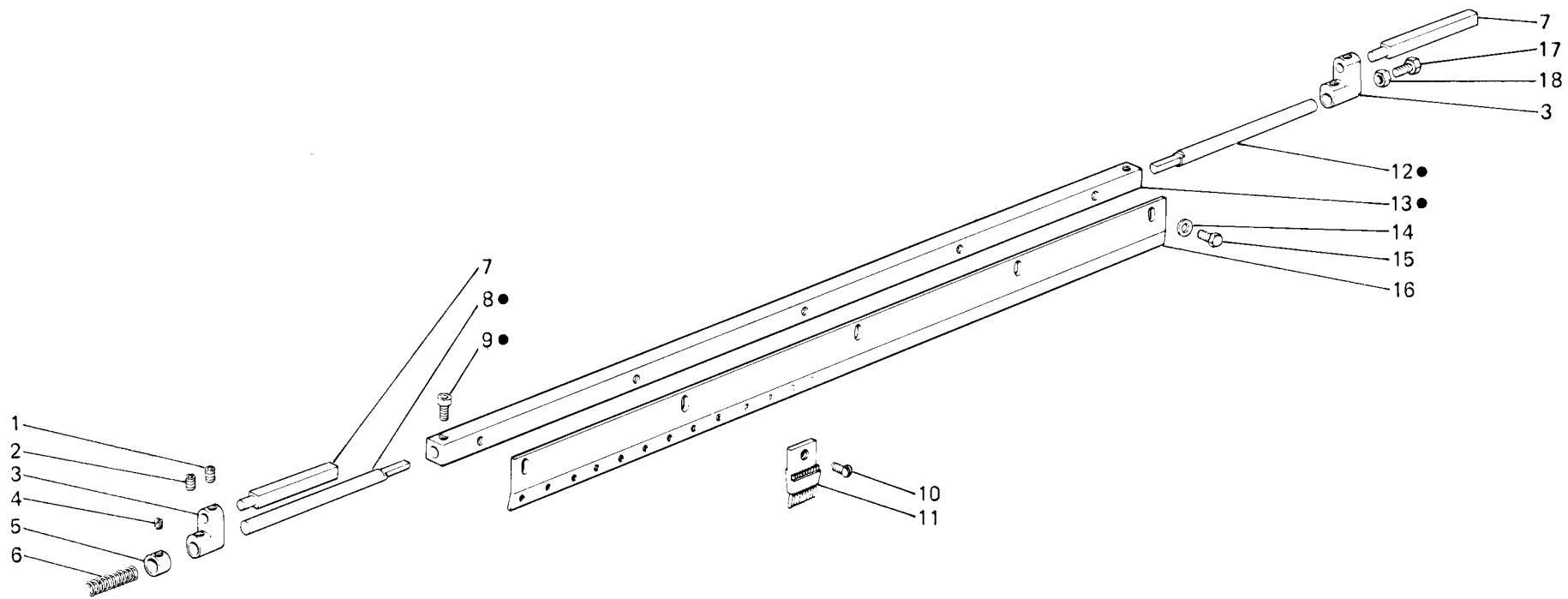


Fig. N. Abb. N.	Part. N. Bestell N. Piece N. Pieza N.	DESCRIZIONE	Fig. N. Abb. N.	Part. N. Bestell N. Piece N. Pieza N.	DESCRIZIONE
		<u>SOLO A RICHIESTA</u>			
—	RZR-BT	gruppo barra tubetti fin. 15 (800)			
—	RZR-BT	gruppo barra tubetti fin. 14 (800)			
—	RZR-BT	gruppo barra tubetti fin. 12 (800)			
—	RZR-BT	gruppo barra tubetti fin. 15 (1000)			
—	RZR-BT	gruppo barra tubetti fin. 14 (1000)			
—	RZR-BT	gruppo barra tubetti fin. 12 (1000)			
●	RZR-G135/80/9414	barra tubetti completa (800)			
●	RZR-G135/100/9420	barra tubetti completa (1000)			
1	RZR-3/D/6	vite			
2	RZR-3/D/8	vite			
3	RZR-015/60/187	supporto barre			
4	RZR-16/F/4	vite			
5	RZR-015/60/010	anello			
6	RZR-015/60/190	molla			
7	RZR-015/60/188	spina			
8	RZR-125/80/4866	perno lungo			
9	RZR-2/C/10	vite			
10	RZR-41/B/7	vite			
11	RZR-P015/60/9407	blocco tubetti fin. 15			
11	RZR-P014/60/9408	blocco tubetti fin. 14			
11	RZR-P012/60/9409	blocco tubetti fin. 12			
12	RZR-135/100/5623	perno corto			
13	RZR-015/80/9430	barra tubetti (800)			
13	RZR-015/100/9440	barra tubetti (1000)			
14	RZR-62/C/5	rondella			
15	RZR-36/E/10	vite			
16	RZR-015/80/9431	lamella porta tubetti fin. 15-14 (800)			
16	RZR-012/80/9434	lamella porta tubetti fin. 12 (800)			
16	RZR-015/100/9441	lamella porta tubetti fin. 15-14 (1000)			
16	RZR-012/100/9444	lamella porta tubetti fin. 12 (1000)			
17	RZR-36/R/25	vite			
18	RZR-51/G/6	dado			