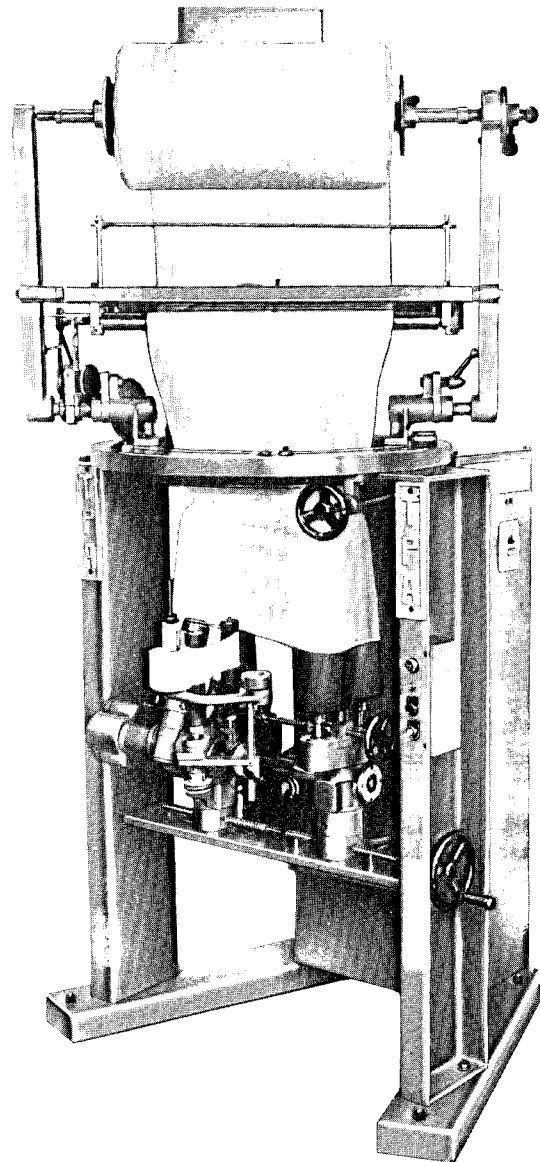


Rimoldi

CATALOGO PEZZI DI RICAMBIO
SPARE PARTS CATALOGUE
CATALOGUE RECHANGES
ERSATZTEILELISTE



EPS—TPA

n. 174

652891010

UFFICIO CATALOGHI 1/77

INDICE NUMERICO INDEX

Part. N.	Tav. N.	Part. N.	Tav. N.	Part. N.	Tav. N.	Part. N.	Tav. N.	Part. N.	Tav. N.	Part. N.	Tav. N.	Part. N.	Tav. N.
RPS-969/01	1	RPS-969/042	5	RPS-969/083	11	RPS-969/24	2	RPS-969/65	5	RPS-969/106	6	RPS-969/147	8
RPS-969/02	1	RPS-969/043	6	RPS-969/084	12	RPS-969/25	2	RPS-969/66	5	RPS-969/107	6	RPS-969/148	8
RPS-969/03	1	RPS-969/044	6	RPS-969/085	12	RPS-969/26	3	RPS-969/67	5	RPS-969/108	6	RPS-969/149	8
RPS-969/04	1	RPS-969/045	6	RPS-969/086	13	RPS-969/27	3	RPS-969/68	5	RPS-969/109	6	RPS-969/150	8
RPS-969/05	1	RPS-969/046	6	RPS-969/087	13	RPS-969/28	3	RPS-969/69	5	RPS-969/110	6	RPS-969/151	8
RPS-969/06	1	RPS-969/047	6	RPS-969/088	13	RPS-969/29	3	RPS-969/70	5	RPS-969/111	6	RPS-969/152	8
RPS-969/07	1	RPS-969/048	6	RPS-969/089	13	RPS-969/30	3	RPS-969/71	5	RPS-969/112	6	RPS-969/153	8
RPS-969/08	2	RPS-969/049	6	RPS-969/090	13	RPS-969/31	3	RPS-969/72	5	RPS-969/113	7	RPS-969/154	8
RPS-969/09	2	RPS-969/050	6	RPS-969/091	13	RPS-969/32	3	RPS-969/73	5	RPS-969/114	7	RPS-969/155	8
RPS-969/10	2	RPS-969/051	6	RPS-969/092	14	RPS-969/33	3	RPS-969/74	5	RPS-969/115	7	RPS-969/156	8
RPS-969/11	2	RPS-969/052	7	RPS-969/093	14	RPS-969/34	3	RPS-969/75	5	RPS-969/116	7	RPS-969/157	8
RPS-969/12	2	RPS-969/053	7	RPS-969/094	14	RPS-969/35	4	RPS-969/76	5	RPS-969/117	7	RPS-969/158	8
RPS-969/13	3	RPS-969/054	7	RPS-969/095	14	RPS-969/36	4	RPS-969/77	5	RPS-969/118	7	RPS-969/159	8
RPS-969/14	3	RPS-969/055	7	RPS-969/096	15	RPS-969/37	4	RPS-969/78	5	RPS-969/119	7	RPS-969/160	8
RPS-969/15	3	RPS-969/056	7	RPS-969/097	15	RPS-969/38	4	RPS-969/79	5	RPS-969/120	7	RPS-969/161	8
RPS-969/16	3	RPS-969/057	7	RPS-969/098	15	RPS-969/39	4	RPS-969/80	5	RPS-969/121	7	RPS-969/162	8
RPS-969/17	3	RPS-969/058	7	RPS-969/099	15	RPS-969/40	4	RPS-969/81	5	RPS-969/122	7	RPS-969/163	8
RPS-969/18	4	RPS-969/059	7	RPS-969/100	16	RPS-969/41	4	RPS-969/82	6	RPS-969/123	7	RPS-969/164	8
RPS-969/19	4	RPS-969/060	7	RPS-969/1	1	RPS-969/42	4	RPS-969/83	6	RPS-969/124	7	RPS-969/165	8
RPS-969/20	4	RPS-969/061	8	RPS-969/2	1	RPS-969/43	4	RPS-969/84	6	RPS-969/125	7	RPS-969/166	9
RPS-969/21	4	RPS-969/062	8	RPS-969/3	1	RPS-969/44	4	RPS-969/85	6	RPS-969/126	7	RPS-969/167	9
RPS-969/22	4	RPS-969/063	8	RPS-969/4	1	RPS-969/45	4	RPS-969/86	6	RPS-969/127	7	RPS-969/168	9
RPS-969/23	4	RPS-969/064	8	RPS-969/5	1	RPS-969/46	4	RPS-969/87	6	RPS-969/128	7	RPS-969/169	9
RPS-969/24	4	RPS-969/065	8	RPS-969/6	1	RPS-969/47	4	RPS-969/88	6	RPS-969/129	7	RPS-969/170	9
RPS-969/25	4	RPS-969/066	8	RPS-969/7	1	RPS-969/48	4	RPS-969/89	6	RPS-969/130	7	RPS-969/171	9
RPS-969/26	4	RPS-969/067	9	RPS-969/8	1	RPS-969/49	4	RPS-969/90	6	RPS-969/131	7	RPS-969/172	9
RPS-969/27	4	RPS-969/068	9	RPS-969/9	1	RPS-969/50	4	RPS-969/91	6	RPS-969/132	7	RPS-969/173	9
RPS-969/28	5	RPS-969/069	9	RPS-969/10	1	RPS-969/51	5	RPS-969/92	6	RPS-969/133	7	RPS-969/174	9
RPS-969/29	5	RPS-969/070	9	RPS-969/11	1	RPS-969/52	5	RPS-969/93	6	RPS-969/134	7	RPS-969/175	9
RPS-969/30	5	RPS-969/071	9	RPS-969/12	1	RPS-969/53	5	RPS-969/94	6	RPS-969/135	7	RPS-969/176	9
RPS-969/31	5	RPS-969/072	9	RPS-969/13	1	RPS-969/54	5	RPS-969/95	6	RPS-969/136	7	RPS-969/177	9
RPS-969/32	5	RPS-969/073	10	RPS-969/14	1	RPS-969/55	5	RPS-969/96	6	RPS-969/137	7	RPS-969/178	9
RPS-969/33	5	RPS-969/074	10	RPS-969/15	1	RPS-969/56	5	RPS-969/97	6	RPS-969/138	8	RPS-969/179	9
RPS-969/34	5	RPS-969/075	10	RPS-969/16	1	RPS-969/57	5	RPS-969/98	6	RPS-969/139	8	RPS-969/180	10
RPS-969/35	5	RPS-969/076	10	RPS-969/17	2	RPS-969/58	5	RPS-969/99	6	RPS-969/140	8	RPS-969/181	10
RPS-969/36	5	RPS-969/077	10	RPS-969/18	2	RPS-969/59	5	RPS-969/100	6	RPS-969/141	8	RPS-969/182	10
RPS-969/37	5	RPS-969/078	10	RPS-969/19	2	RPS-969/60	5	RPS-969/101	6	RPS-969/142	8	RPS-969/183	10
RPS-969/38	5	RPS-969/079	10	RPS-969/20	2	RPS-969/61	5	RPS-969/102	6	RPS-969/143	8	RPS-969/184	10
RPS-969/39	5	RPS-969/080	11	RPS-969/21	2	RPS-969/62	5	RPS-969/103	6	RPS-969/144	8	RPS-969/185	10
RPS-969/40	5	RPS-969/081	11	RPS-969/22	2	RPS-969/63	5	RPS-969/104	6	RPS-969/145	8	RPS-969/186	10
RPS-969/41	5	RPS-969/082	11	RPS-969/23	2	RPS-969/64	5	RPS-969/105	6	RPS-969/146	8	RPS-969/187	10

INDICE NUMERICO INDEX

Part. N.	Tav. N.	Part. N.	Tav. N.	Part. N.	Tav. N.	Part. N.	Tav. N.	Part. N.	Tav. N.	Part. N.	Tav. N.	Part. N.	Tav. N.
RPS-969/188	10	RPS-969/229	13	RPS-969/270	17								
RPS-969/189	10	RPS-969/230	13	RPS-969/271	17								
RPS-969/190	10	RPS-969/231	13	RPS-969/272	17								
RPS-969/191	10	RPS-969/232	13	RPS-969/273	17								
RPS-969/192	10	RPS-969/233	13	RPS-969/274	6								
RPS-969/193	10	RPS-969/234	13	RPS-969/1A	1								
RPS-969/194	10	RPS-969/235	13	RPS-969/1B	2								
RPS-969/195	10	RPS-969/236	13	RPS-969 1C	2								
RPS-969/196	10	RPS-969/237	13	RPS-969/1D	5								
RPS-969/197	10	RPS-969/238	13	RPS-969/1E	5								
RPS-969/198	11	RPS-969/239	13	RPS-969/1F	5								
RPS-969/199	11	RPS-969/240	13	RPS-969/1G	6								
RPS-969/200	11	RPS-969/241	13	RPS-969/1H	7								
RPS-969/201	11	RPS-969/242	13	RPS-969/1J	7								
RPS-969/202	11	RPS-969/243	13	RPS-969/1L	7								
RPS-969/203	11	RPS-969/244	13	RPS-969/1M	8								
RPS-969/204	11	RPS-969/245	14	RPS-969/1N	8								
RPS-969/205	11	RPS-969/246	14	RPS-969/1P	8								
RPS-969/206	11	RPS-969/247	14	RPS-969/1Q	8								
RPS-969/207	11	RPS-969/248	14	RPS-969/1R	8								
RPS-969/208	11	RPS-969/249	14	RPS-969/1S	10								
RPS-969/209	11	RPS-969/250	14	RPS-969/1T	10								
RPS-969/210	11	RPS-969/251	14	RPS-969/1U	13								
RPS-969/211	11	RPS-969/252	14	RPS-969/1V	13								
RPS-969/212	11	RPS-969/253	14	RPS-969/1W	14								
RPS-969/213	12	RPS-969/254	14										
RPS-969/214	12	RPS-969/255	14										
RPS-969/215	12	RPS-969/256	14										
RPS-969/216	13	RPS-969/257	15										
RPS-969/217	13	RPS-969/258	15										
RPS-969/218	13	RPS-969/259	15										
RPS-969/219	13	RPS-969/260	15										
RPS-969/220	13	RPS-969/261	16										
RPS-969/221	13	RPS-969/262	16										
RPS-969/222	13	RPS-969/263	17										
RPS-969/223	13	RPS-969/264	17										
RPS-969/224	13	RPS-969/265	17										
RPS-969/225	13	RPS-969/266	17										
RPS-969/226	13	RPS-969/267	17										
RPS-969/227	13	RPS-969/268	17										
RPS-969/228	13	RPS-969/269	17										

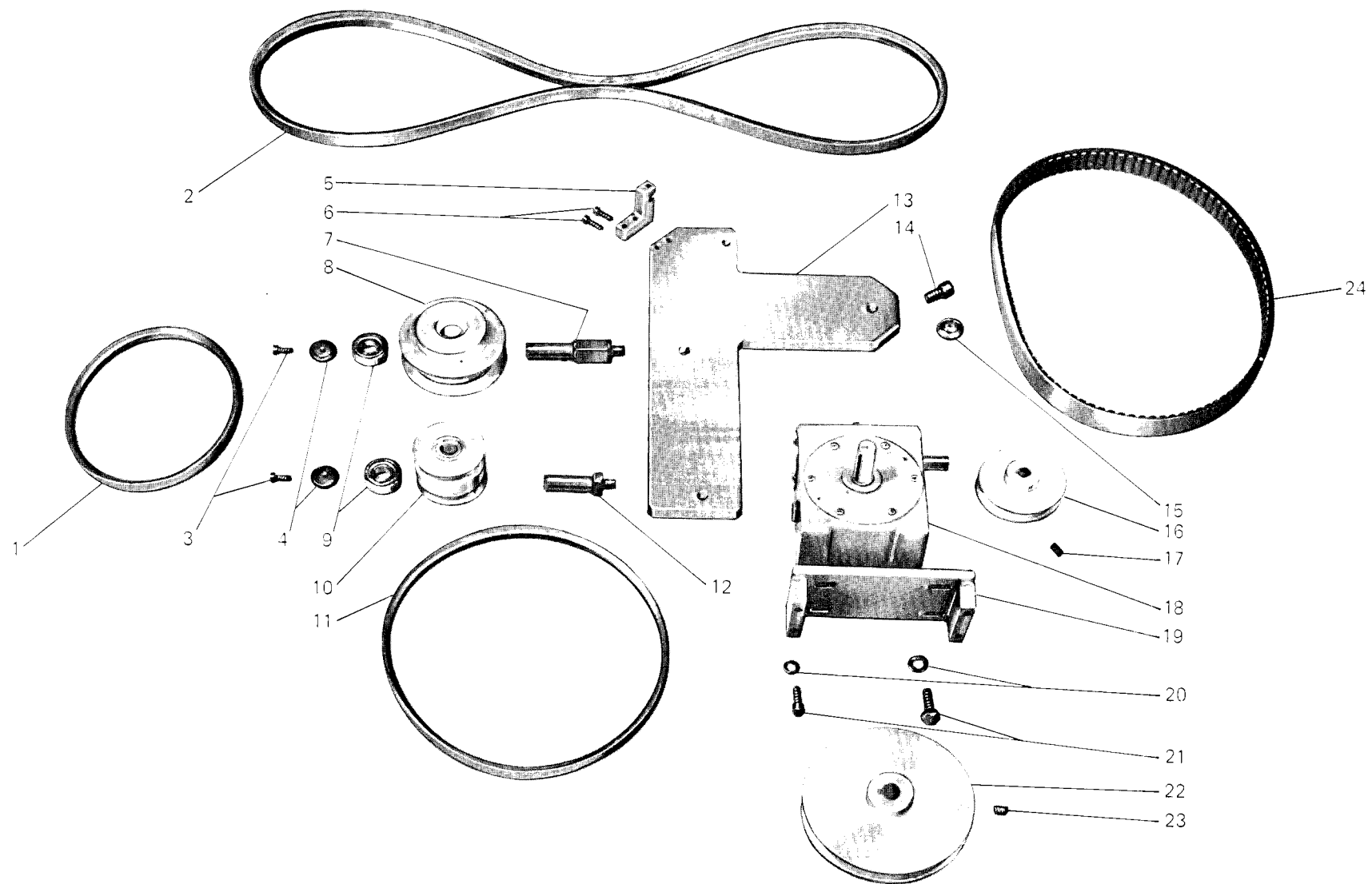


Fig. N. Abb. N.	Part. N. Bestell N. Piece N. Pieza N.	Qt. Anzahl	DESCRIZIONE	DESCRIPTION	DESCRIPTION	BENENNUNG	DESCRIPCION
1	RPS-969/1	1	cinghia A 23	belt		courroie	
2	RPS-969/2	1	cinghia B76	belt		courroie	
3	RPS-969/01	2	vite	screw		vis	
4	RPS-969/3	2	rondella	washer		rondelle	
5	RPS-969/4	1	supporto	support		support	
6	RPS-969/02	2	vite	screw		vis	
7	RPS-969/5	1	perno	pin		pivot	
8	RPS-969/6	1	puleggia variatore	pulley		poulie	
9	RPS-969/1A	2	cuscinetto	bearing		coussinet	
10	RPS-969/7	1	puleggia comando riduttore	pulley		poulie	
11	RPS-969/8	1	cinghia A 34	belt		courroie	
12	RPS-969/9	1	perno	pin		pivot	
13	RPS-969/10	1	staffa	bracket		bride	
14	RPS-969/03	1	vite	screw		vis	
15	RPS-969/11	1	rondella	washer		rondelle	
16	RPS-969/12	1	puleggia riduttore	pulley		poulie	
17	RPS-969/04	1	grano	screw		vis	
18	RPS-969/13	1	riduttore	reduction unit		réducteur	
19	RPS-969/14	1	supporto riduttore	support		support	
20	RPS-969/05	4	rondella	washer		rondelle	
21	RPS-969/06	4	vite	screw		vis	
22	RPS-969/15	1	puleggia comando macchina	pulley		poulie	
23	RPS-969/07	1	grano	screw		vis	
24	RPS-969/16	1	cinghia variatore 10x28x1120	belt		courroie	

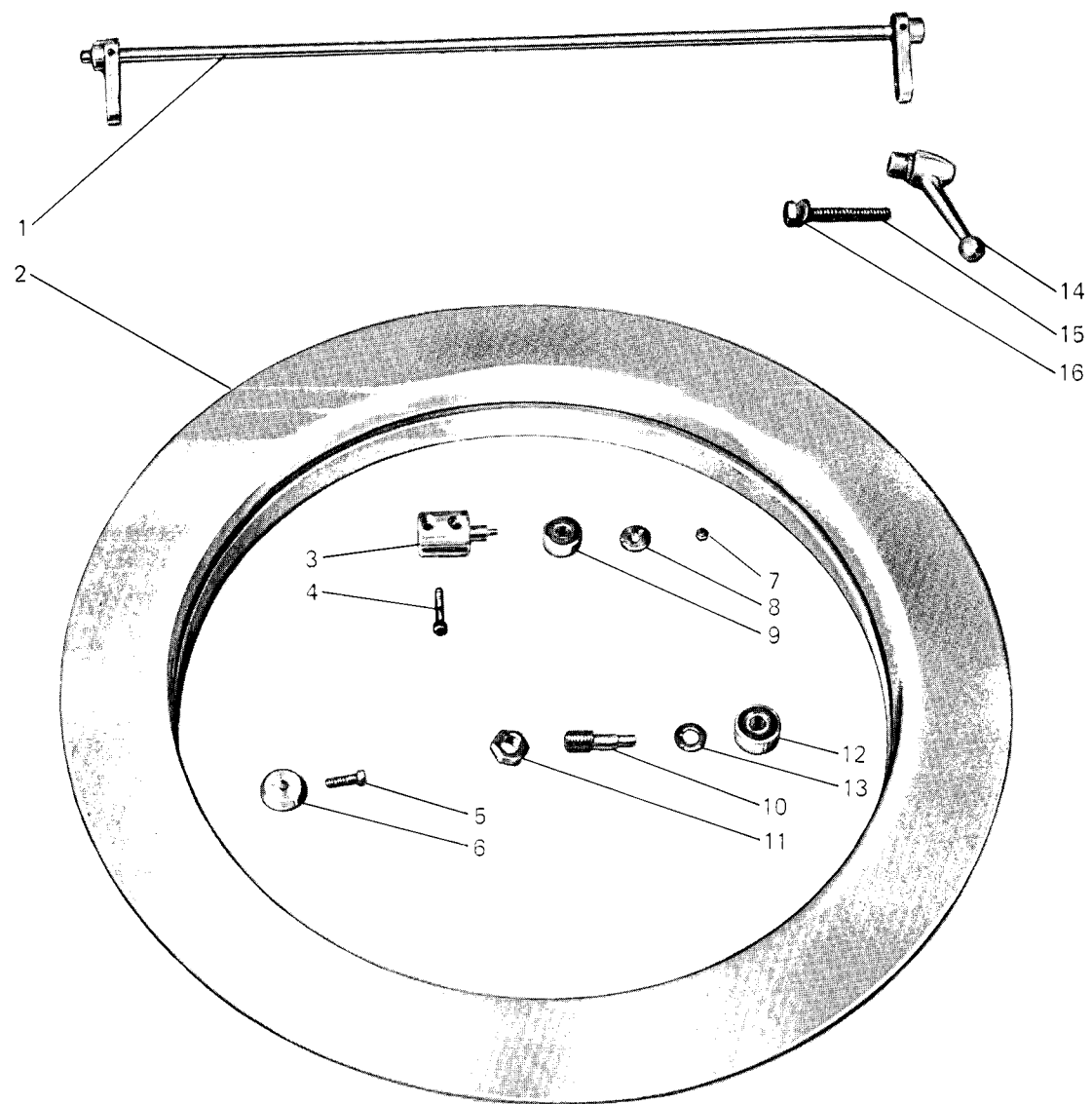


Fig. N. Abb. N.	Part. N. Piece N. Bestell N. Pieza N.	Qt. Anzahl	DESCRIZIONE	DESCRIPTION	DESCRIPTION	BENENNUNG	DESCRIPCION
1	RPS-969/17	1	barra guida tessuto	bar	barre		
2	RPS-969/18	1	disco principale	main disc	disque principale		
3	RPS-969/19	3	perno cuscinetto	pin	pivot		
4	RPS-969/08	6	vite	screw	vis		
5	RPS-969/09	2	vite	screw	vis		
6	RPS-969/20	1	rondella	washer	rondelle		
7	RPS-969/010	3	dado	nut	écrou		
8	RPS-969/21	3	rondella	washer	rondelle		
9	RPS-969/1B	3	cuscinetto 10x26x12	bearing	coussinet		
10	RPS-969/22	5	perno eccentrico	eccentric pin	pivot excentrique		
11	RPS-969/23	5	dado	nut	écrou		
12	RPS-969/1C	5	cuscinetto	bearing	coussinet		
13	RPS-969/24	1	rondella	washer	rondelle		
14	RPS-969/25	1	maniglia	lever	levier		
15	RPS-969/011	1	vite	screw	vis		
16	RPS-969/012	1	rondella	washer	rondelle		

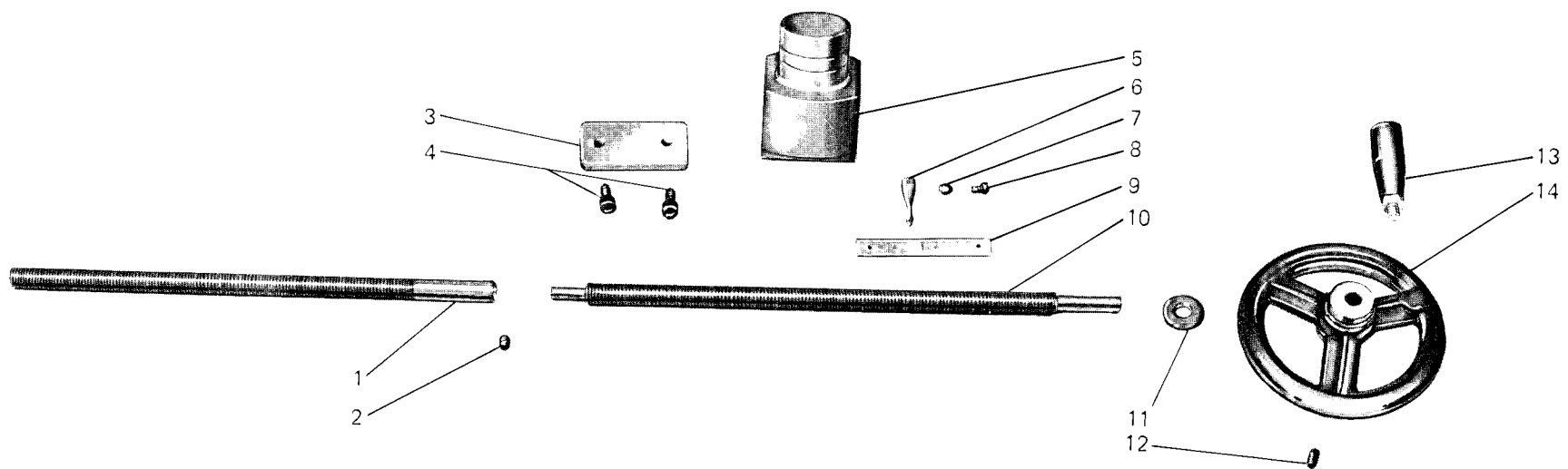


Fig. N. Abb. N.	Part. N. Piese N. Bestell N. Pieza N.	Qt. Anzahl	DESCRIZIONE	DESCRIPTION	DESCRIPTION	BENENNUNG	DESCRIPCION
1	RPS-969/26	1	vite sinistra	left screw	vis gauche		
2	RPS-969/013	2	grano	screw	vis		
3	RPS-969/27	1	staffa	bracket	bride		
4	RPS-969/014	2	vite	screw	vis		
5	RPS-969/28	2	supporto	support	support		
6	RPS-969/29	1	indice	index	indice		
7	RPS-969/015	1	rondella	washer	rondelle		
8	RPS-969/016	1	vite	screw	vis		
9	RPS-969/30	1	righello millimetrato	scale	règle		
10	RPS-969/31	1	vite destra	right screw	vis droite		
11	RPS-969/32	1	rondella	washer	rondelle		
12	RPS-969/017	1	grano	screw	vis		
13	RPS-969/33	1	maniglia	lever	levier		
14	RPS-969/34	1	volantino	handwheel	volant		

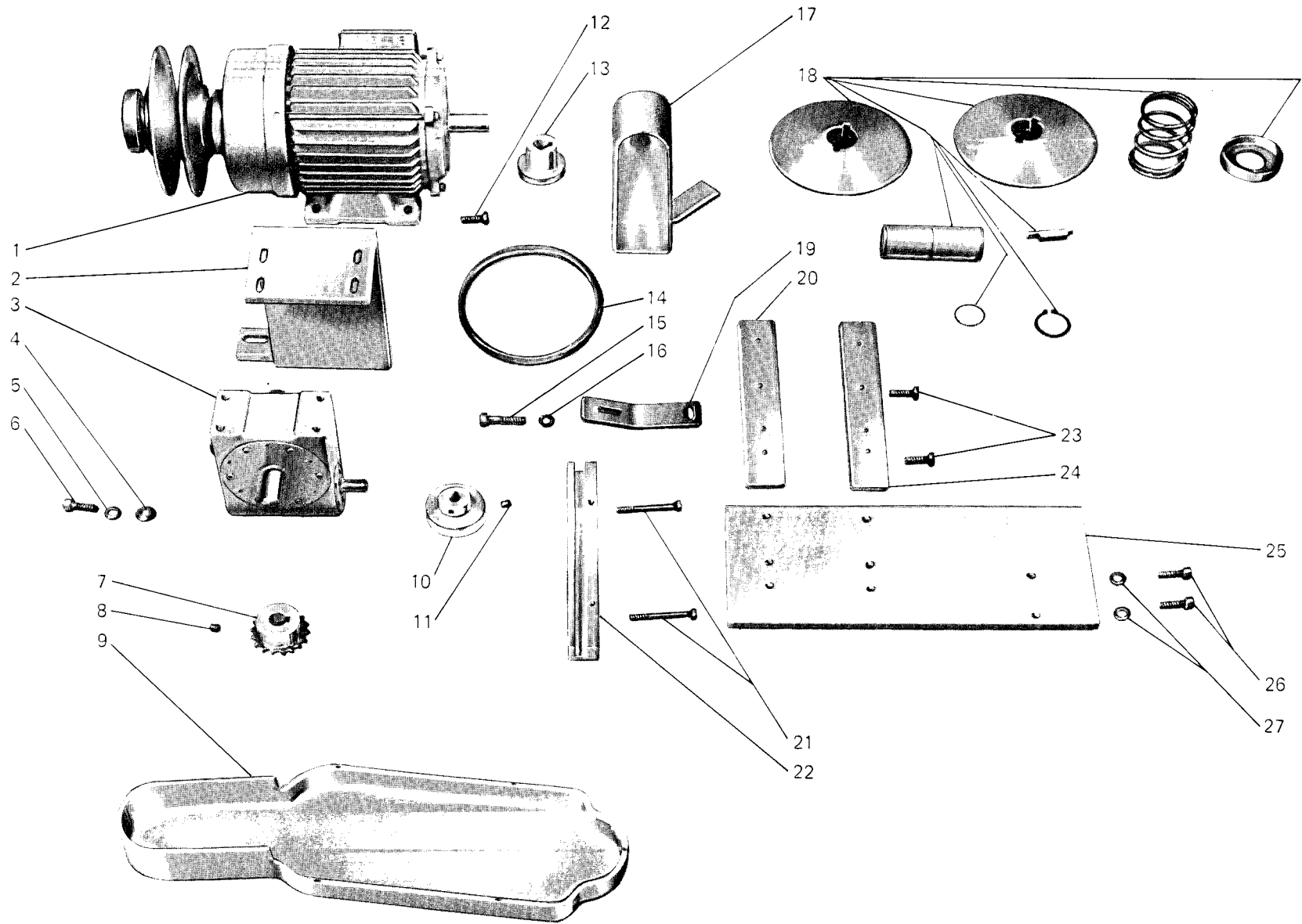


Fig. N. Abb. N.	Part. N. Piec. N. Bestell N. Pieza N.	Qt. Anzahl	DESCRIZIONE	DESCRIPTION	DESCRIPTION	BENENNUNG	DESCRIPCION
1	RPS-969/35	1	motore HP 1 giri 1400 V 220/380	motor	moteur		
2	RPS-969/36	1	supporto riduttore	reduction unit support	support réducteur		
3	RPS-969/37	1	riduttore 1/40	reduction unit	réducteur		
4	RPS-969/38	1	rondella distanziale	spacer washer	rondelle entretoise		
5	RPS-969/018	4	rondella	washer	rondelle		
6	RPS-969/019	4	vite	screw	vis		
7	RPS-969/39	1	ingranaggio per catena 3/8" Z - 18	gear for chain	engrenage pour chaînette		
8	RPS-969/020	1	grano	screw	vis		
9	RPS-969/40	1	carter	cover	carter		
10	RPS-969/41	1	puleggia riduttore	reduction unit pulley	poulie réducteur		
11	RPS-969/021	1	grano	screw	vis		
12	RPS-969/022	4	vite	screw	vis		
13	RPS-969/42	1	puleggia motore com. riduttore 1/40	pulley	poulie		
14	RPS-969/43	1	cinghia Z-19	belt	courroie		
15	RPS-969/023	1	vite	screw	vis		
16	RPS-969/024	1	rondella	washer	rondelle		
17	RPS-969/44	1	carter cinghia	cover	carter		
18	RPS-969/45	1	puleggia variatore compl.	pulley assembly	poulie compl.		
19	RPS-969/46	1	staffa carter	cover bracket	bride carter		
20	RPS-969/47	1	staffa riduttore	reduction unit bracket	bride réducteur		
21	RPS-969/025	2	vite	screw	vis		
22	RPS-969/48	1	guida carrello	guide	guide		
23	RPS-969/027	2	vite	screw	vis		
24	RPS-969/49	1	staffa riduttore	reduction unit bracket	bride réducteur		
25	RPS-969/50	1	carrello porta motore	trolley	chariot		
26	RPS-969/026	2	vite	screw	vis		
27	RPS-969/027	2	rondella	washer	rondelle		

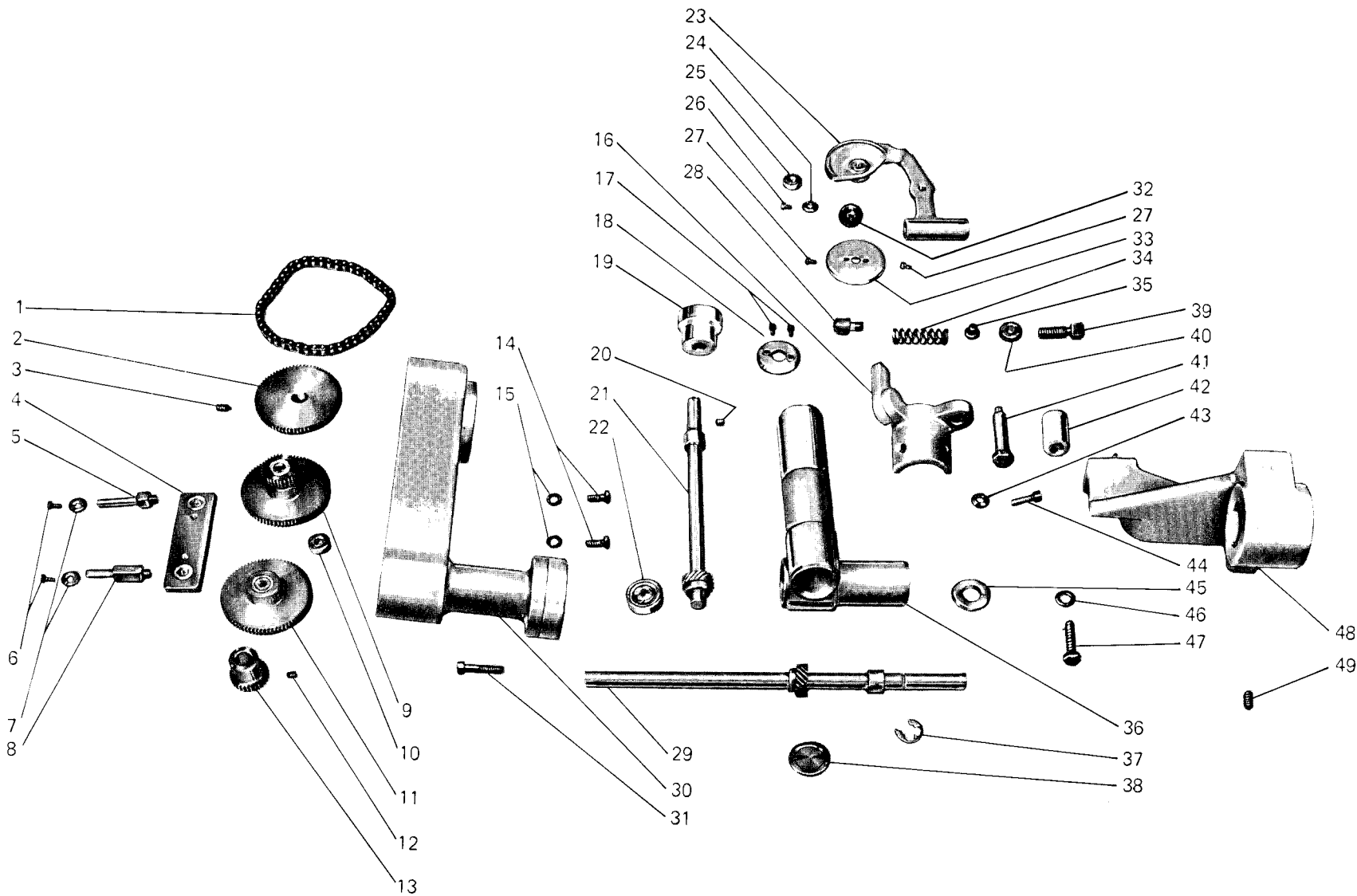


Fig. N. Abb. N.	Part. N. Bestell N. Piece N. Pieza N.	Qt. Anzahl	DESCRIZIONE	DESCRIPTION	DESCRIPTION	BENENNUNG	DESCRIPCION
1	RPS-969/51	1	catena 3/8" maglie 23 + giunto	chain	chaînette		
2	RPS-969/52	1	ingranaggio con pignone	gear with pinion	engrenage avec pignon		
3	RPS-969/028	1	grano	screw	vis		
4	RPS-969/53	1	staffa ingranaggio	gear bracket	bride engrenage		
5	RPS-969/54	1	perno ingranaggio	gear pin	pivot engrenage		
6	RPS-969/029	2	vite	screw	vis		
7	RPS-969/55	2	rondella	washer	rondella		
8	RPS-969/56	1	perno ingranaggio	gear pin	pivot engrenage		
9	RPS-969/57	1	ingranaggio doppio	gear	engrenage		
10	RPS-969/1D	4	cuscinetto 9x24x7	bearing	coussinet		
11	RPS-969/58	1	ingranaggio intermedio	gear	engrenage		
12	RPS-969/030	1	grano	screw	vis		
13	RPS-969/59	1	ingranaggio com. coltello	gear	engrenage		
14	RPS-969/031	2	vite	screw	vis		
15	RPS-969/032	2	rondella	washer	rondelle		
16	RPS-969/60	1	supporto gruppo coltello	support	support		
17	RPS-969/033	2	vite	screw	vis		
18	RPS-969/61	1	coltello Ø 51	knife	couteau		
19	RPS-969/62	1	porta coltello	knife holder	porte-couteau		
20	RPS-969/034	1	grano	screw	vis		
21	RPS-969/63	1	albero comando coltello	shaft	arbre		
22	RPS-969/1E	4	cuscinetto 17x40x12	bearing	coussinet		
23	RPS-969/64	1	supporto coltello	knife support	support couteau		
24	RPS-969/65	1	rondella	washer	rondelle		
25	RPS-969/1F	2	cuscinetto 8x22x7	bearing	coussinet		
26	RPS-969/035	1	vite	screw	vis		
27	RPS-969/036	2	vite	screw	vis		
28	RPS-969/66	1	puntale	cap	creux		
29	RPS-969/67	1	albero comando coltello	shaft	arbre		
30	RPS-969/68	1	supporto scatola ing.	support	support		
31	RPS-969/037	1	vite	screw	vis		
32	RPS-969/69	1	albero porta coltello	shaft	arbre		
33	RPS-969/70	1	vite	screw	vis		
34	RPS-969/71	1	molla	spring	ressort		
35	RPS-969/72	1	tappo molla	spring plug	bouchon ressort		
36	RPS-969/73	1	supporto coltello	knife support	support couteau		
37	RPS-969/038	1	seeger	seeger	seeger		
38	RPS-969/74	1	tappo	plug	bouchon		
39	RPS-969/75	1	vite a pomolo	knob screw	vis à pommeau		
40	RPS-969/76	1	ghiera bloccaggio	ring nut	collier		
41	RPS-969/77	1	perno	pin	pivot		
42	RPS-969/78	1	distanziale	spacer	entretoise		
43	RPS-969/79	1	rondella	washer	rondelle		
44	RPS-969/039	2	vite	screw	vis		
45	RPS-969/80	1	anello filettato	ring	anneau		
46	RPS-969/040	2	rondella	washer	rondelle		
47	RPS-969/041	2	vite	screw	vis		
48	RPS-969/81	1	supporto	support	support		
49	RPS-969/042	1	grano	screw	vis		

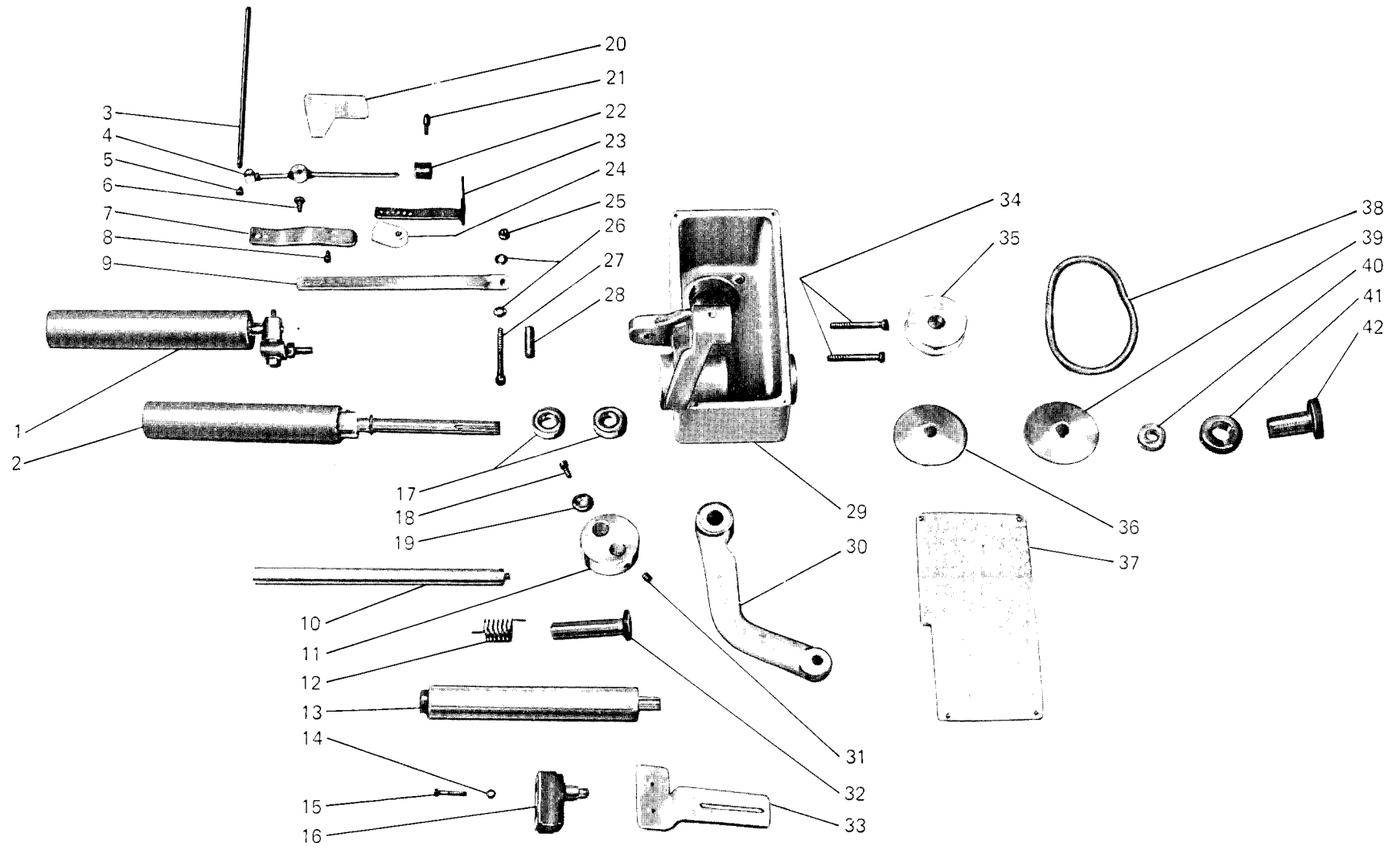


Fig. N. Abb. N.	Part. N. Piece N. Bestell N. Pieza N.	Qt. Anzahl	DESCRIZIONE	DESCRIPTION	DESCRIPTION	BENENNUNG	DESCRIPCION
1	RPS-969/82	1	cilindro intermedio	cylinder	cyindre		
2	RPS-969/83	2	cilindro avvolgitore	cylinder	cyindre		
3	RPS-969/84	1	asta bilancieri	compensator rod	tige balancier		
4	RPS-969/84	1	bilanciere	compensator	balancier		
5	RPS-969/043	1	vite	screw	vis		
6	RPS-969/86	2	perno bilanciere	compensator pin	pivot balancier		
7	RPS-969/87	1	staffa per bilanciere	bracket for compensator	bride pour balancier		
8	RPS-969/044	2	vite	screw	vis		
9	RPS-969/88	1	righello	scale	règle		
10	RPS-969/89	1	albero con chiavetta	shaft with key	shaft with clé		
11	RPS-969/90	1	supporto	support	support		
12	RPS-969/91	1	molla	spring	ressort		
13	RPS-969/92	1	cilindro avvolgitore	cylinder	cyindre		
14	RPS-969/045	2	rondella	washer	rondelle		
15	RPS-969/046	2	vite	screw	vis		
16	RPS-969/93	1	micro arresto	microswitch	micro-interrupteur		
17	RPS-969/16	2	cuscinetto 12x32x10	bearing	coussinet		
18	RPS-969/047	1	vite	screw	vis		
19	RPS-969/94	1	rondella	washer	rondelle		
20	RPS-969/95	1	carterino	cover	carter		
21	RPS-969/96	1	vite	screw	vis		
22	RPS-969/97	1	contrappeso	counterweight	contrepoids		
23	RPS-969/98	1	supporto bilanciere	compensator support	support balancier		
24	RPS-969/99	1	piastrina isolante	plate	plaque		
25	RPS-969/048	1	dado	nut	écrou		
26	RPS-969/049	2	rondella	washer	rondelle		
27	RPS-969/100	1	vite	screw	vis		
28	RPS-969/101	1	distanziale	spacer	entretoise		
29	RPS-969/102	1	scatola variatore	box	boîte		
30	RPS-969/103	1	leva	lever	levier		
31	RPS-969/050	1	grano	screw	vis		
32	RPS-969/274	1	perno	pin	pivot		
33	RPS-969/104	1	supporto micro	support	support		
34	RPS-969/051	2	vite	screw	vis		
35	RPS-969/105	1	puleggia com. variatore	pulley	poulie		
36	RPS-969/106	1	semipuleggia variatore sup.	pulley	poulie		
37	RPS-969/107	1	coperchio	cover	couvercle		
38	RPS-969/108	1	cinghia elastica Ø 8x290	spring belt	courroie élastique		
39	RPS-969/109	1	semipuleggia inferiore	lower pulley	poulie inférieure		
40	RPS-969/110	1	reggispinta 12x30x7	thrust	butée		
41	RPS-969/111	1	ghiera di bloccaggio	ring nut	collier		
42	RPS-969/112	1	volantino di regolazione	handwheel	volant		

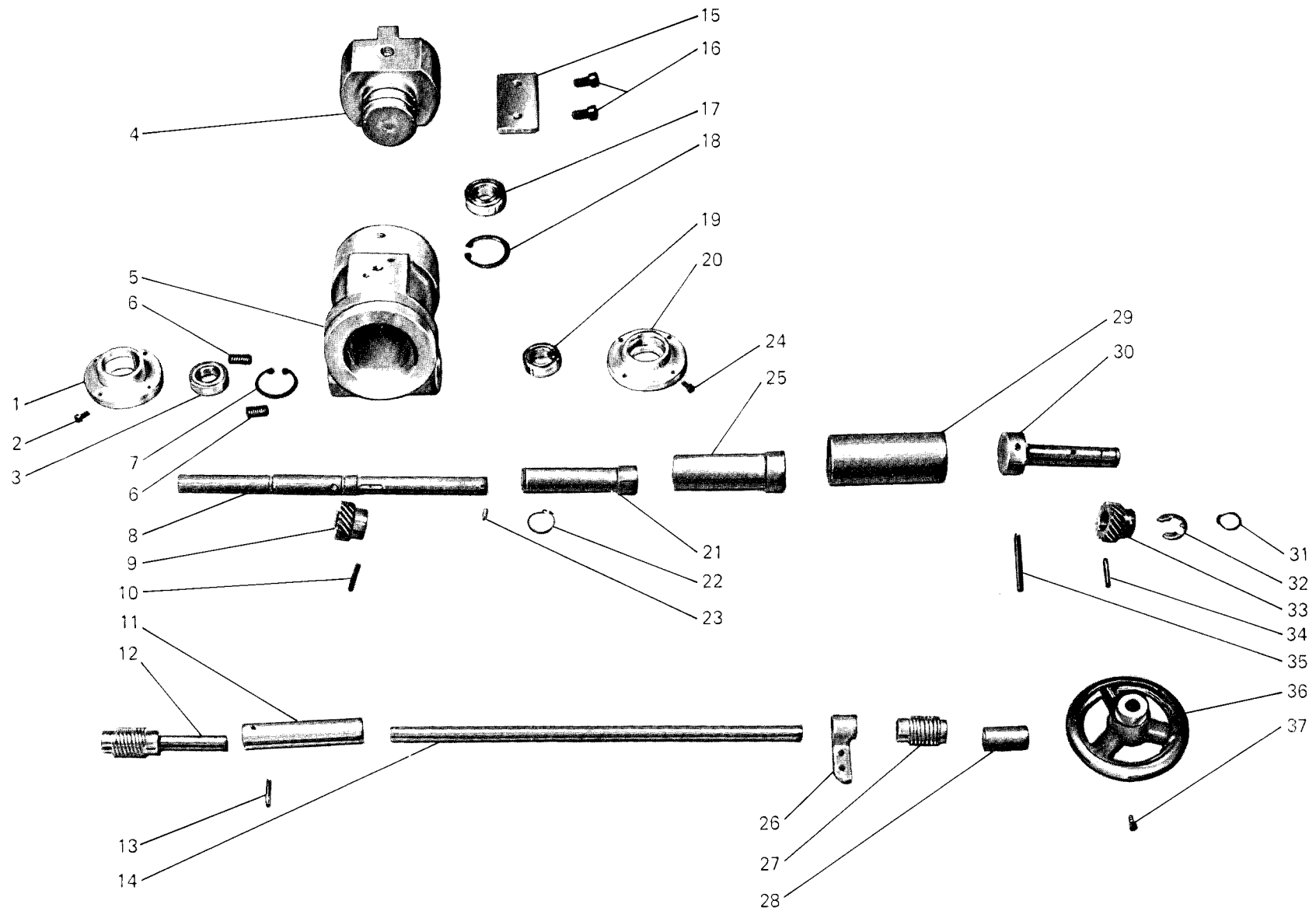


Fig. N. Abb. N.	Part. N. Bestell N. Piecza N. Pieza N.	Qt. Anzahl	DESCRIZIONE	DESCRIPTION	DESCRIPTION	BENENNUNG	DESCRIPCION
1	RPS-969/113	1	coperchio cuscinetto	bearing cover	couvercle coussinet		
2	RPS-969/052	4	vite	screw	vis		
3	RPS-969/1H	1	cuscinetto 17x35x10	bearing	coussinet		
4	RPS-969/114	1	supporto scorrevole	support	support		
5	RPS-969/115	1	supporto	support	support		
6	RPS-969/116	2	grano	screw	vis		
7	RPS-969/053	1	seeger	seeger	seeger		
8	RPS-969/117	1	albero com. rulli in gomma	shaft	arbre		
9	RPS-969/118	1	ingranaggio	gear	engrenage		
10	RPS-969/119	1	spina elastica	split pin	goupille réglable		
11	RPS-969/120	1	cannotto	column	fourche		
12	RPS-969/121	1	albero con vite senza fine	shaft with worm screw	arbre avec vis sans fin		
13	RPS-969/122	1	spina	pin	goupille		
14	RPS-969/123	1	albero con chiavetta	shaft with key	arbre avec clavette		
15	RPS-969/124	1	staffa	bracket	bride		
16	RPS-969/054	2	vite	screw	vis		
17	RPS-969/1J	1	cuscinetto 17x35x10	bearing	coussinet		
18	RPS-969/055	1	seeger	seeger	seeger		
19	RPS-969/1L	1	cuscinetto 17x35x10	bearing	coussinet		
20	RPS-969/125	1	coperchio	cover	couvercle		
21	RPS-969/126	1	bussola	bush	bague		
22	RPS-969/056	1	seeger	seeger	seeger		
23	RPS-969/127	1	grano	screw	vis		
24	RPS-969/057	4	vite	screw	vis		
25	RPS-969/128	1	bussola	bush	bague		
26	RPS-969/129	1	supporto	support	support		
27	RPS-969/130	1	vite senza fine con chiavetta	worm screw with key	vis sans fin avec clavette		
28	RPS-969/131	1	distanziale	spacer	entretoise		
29	RPS-969/132	1	bussola	bush	bague		
30	RPS-969/133	1	albero	shaft	arbre		
31	RPS-969/058	1	seeger	seeger	seeger		
32	RPS-969/059	1	seeger	seeger	seeger		
33	RPS-969/134	1	ingranaggio	gear	engrenage		
34	RPS-969/135	1	spina	pin	goupille		
35	RPS-969/136	1	spina	pin	goupille		
36	RPS-969/137	1	volantino	handwheel	volant		
37	RPS-969/060	1	grano	screw	vis		

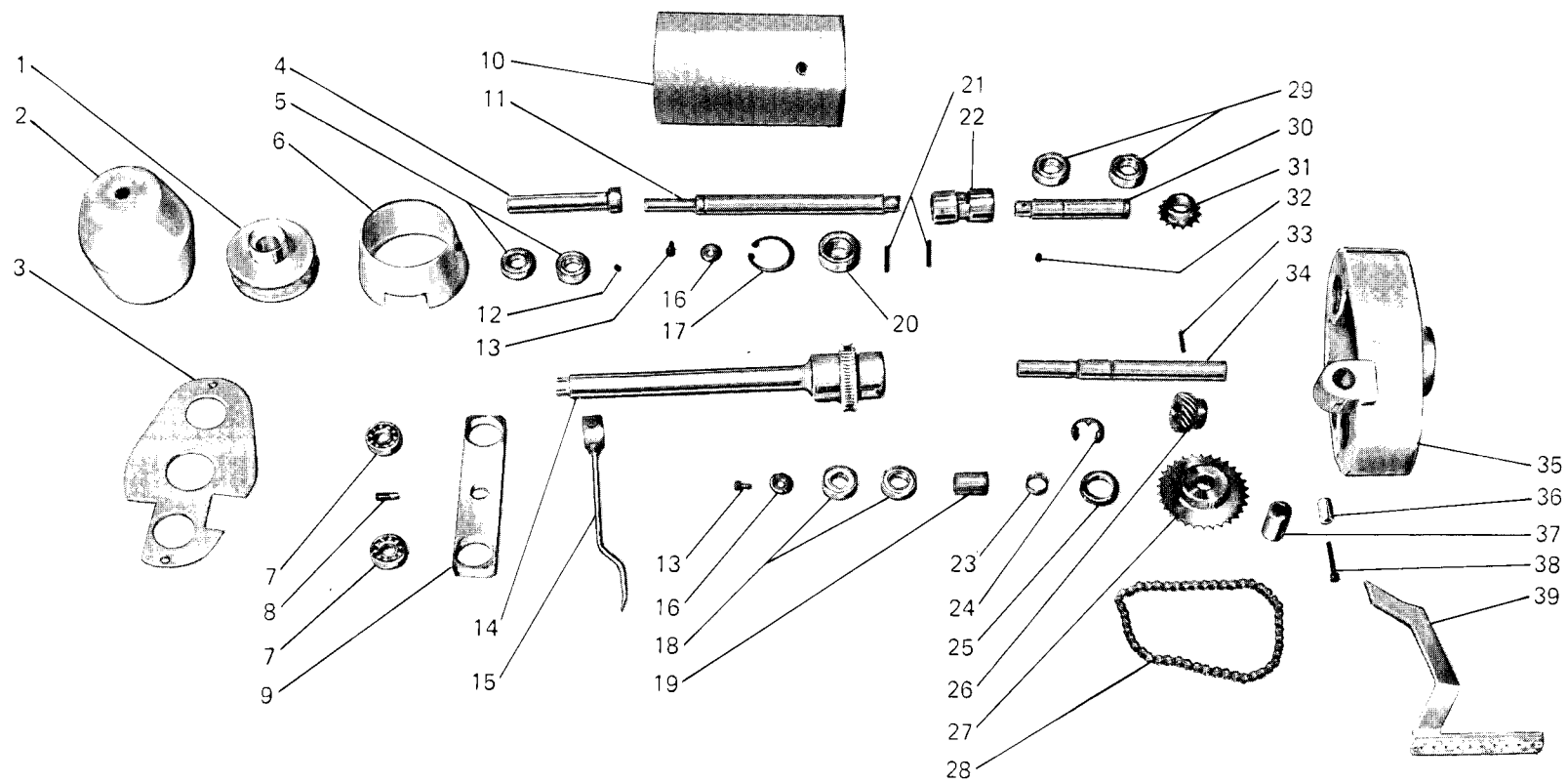


Fig. N. Abb. N.	Part. N. Bestell N. Piece N. Pieza N.	Qt. Anzahl	DESCRIZIONE	DESCRIPTION	DESCRIPTION	BENENNUNG	DESCRIPCION
1	RPS-969/138	1	anello interno	ring	anneau		
2	RPS-969/139	1	punta	pin	pivot		
3	RPS-969/140	1	coperchio	cover	couvercle		
4	RPS-969/141	1	perno	pin	pivot		
5	RPS-969/1M	2	cuscinetto 15x32x9	bearing	coussinet		
6	RPS-969/142	1	scivolo	chute	glissière		
7	RPS-969/1N	2	cuscinetto 12x32x10	bearing	coussinet		
8	RPS-969/143	1	grano	screw	vis		
9	RPS-969/144	1	staffa	bracket	bride		
10	RPS-969/145	4	rullo in gomma	roller	rouleau		
11	RPS-969/146	4	albero porta rullo	shaft	arbre		
12	RPS-969/061	1	grano	screw	vis		
13	RPS-969/062	2	vite	screw	vis		
14	RPS-969/147	1	albero con corona	shaft	arbre		
15	RPS-969/148	1	indice	index	indice		
16	RPS-969/149	2	rondella	washer	rondelle		
17	RPS-969/063	1	seeger	seeger	seeger		
18	RPS-969/1P	2	cuscinetto 17x35x11	bearing	coussinet		
19	RPS-969/150	1	distanziale	spacer	entretoise		
20	RPS-969/1Q	1	cuscinetto 17x40x12	bearing	coussinet		
21	RPS-969/151	2	spina	pin	goupille		
22	RPS-969/152	4	giunto cardanico	joint	joint		
23	RPS-969/153	1	distanziale	spacer	entretoise		
24	RPS-969/064	1	seeger	seeger	seeger		
25	RPS-969/154	1	anello di fermo	ring	anneau		
26	RPS-969/155	1	ingranaggio	gear	engrenage		
27	RPS-969/156	1	ingranaggio Z=30 passo 8 mm	gear	engrenage		
28	RPS-969/157	1	catena P=8mm	chain	chaînette		
29	RPS-969/1R	2	cuscinetto 17x35x11	bearing	coussinet		
30	RPS-969/158	1	albero	shaft	arbre		
31	RPS-969/159	1	ingranaggio Z=15 P=8 mm	gear	engrenage		
32	RPS-969/065	4	grano	screw	vis		
33	RPS-969/160	1	spina	pin	goupille		
34	RPS-969/161	1	albero	shaft	arbre		
35	RPS-969/162	1	supporto	support	support		
36	RPS-969/163	2	distanziale	spacer	entretoise		
37	RPS-969/164	1	bussola	bush	bague		
38	RPS-969/066	2	vite	screw	vis		
39	RPS-969/165	1	squadretta	bracket	équerre		

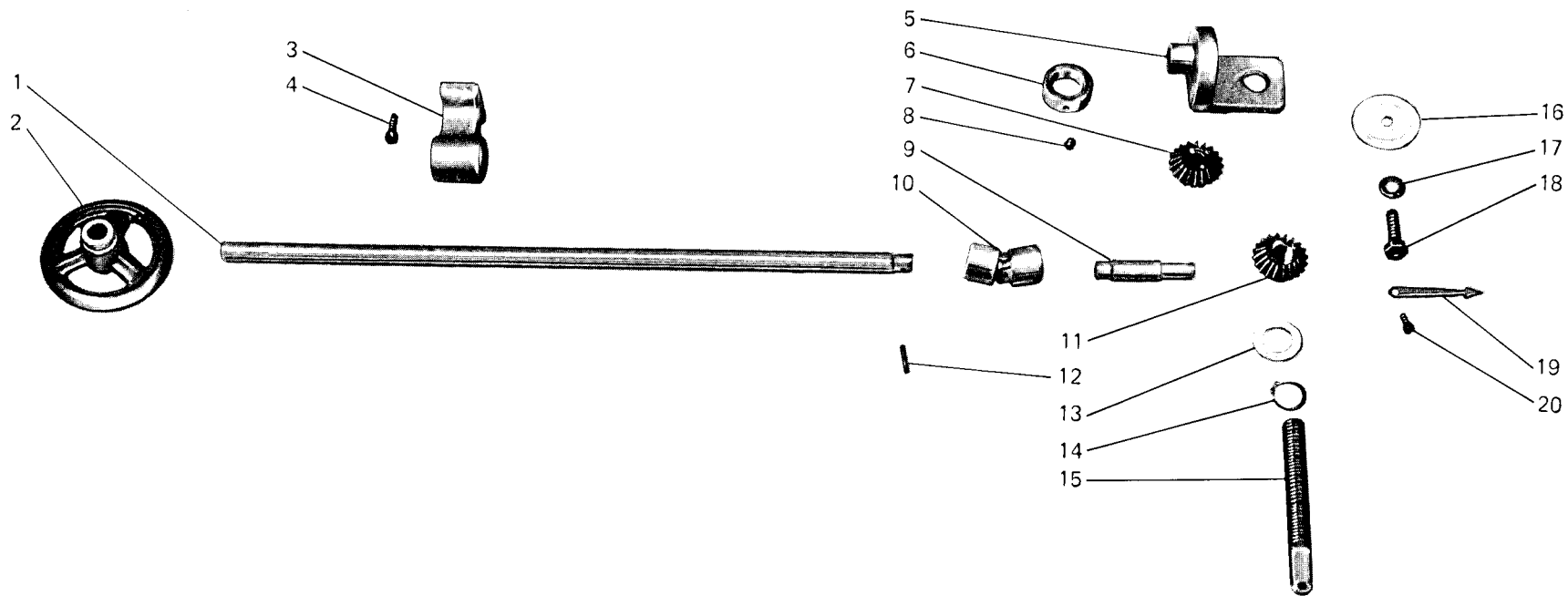


Fig. N. Abb. N.	Part. N. Bestell N. Piece N. Pieza N.	Qt. Anzahl	DESCRIZIONE	DESCRIPTION	DESCRIPTION	BENENNUNG	DESCRIPCION
1	RPS-969/166	1	albero com. variatore	shaft	arbre		
2	RPS-969/167	1	volantino	handwheel	volant		
3	RPS-969/168	1	supporto	support	support		
4	RPS-969/067	2	vite	screw	vis		
5	RPS-969/169	1	supporto	support	support		
6	RPS-969/170	1	anello di fermo	ring	anneau		
7	RPS-969/171	1	ingranaggio conico	gear	engrenage		
8	RPS-969/068	1	grano	screw	vis		
9	RPS-969/172	1	albero	shaft	arbre		
10	RPS-969/173	1	giunto cardanico	joint	joint		
11	RPS-969/174	1	ingranaggio conico	gear	engrenage		
12	RPS-969/175	2	spina	pin	goupille		
13	RPS-969/176	1	distanziale	spacer	entretoise		
14	RPS-969/069	1	seeger	seeger	seeger		
15	RPS-969/177	1	vite	screw	vis		
16	RPS-969/178	1	rondella	washer	rondelle		
17	RPS-969/070	1	rondella	washer	rondelle		
18	RPS-969/071	1	vite	screw	vis		
19	RPS-969/179	1	indice	index	indice		
20	RPS-969/072	1	vite	screw	vis		

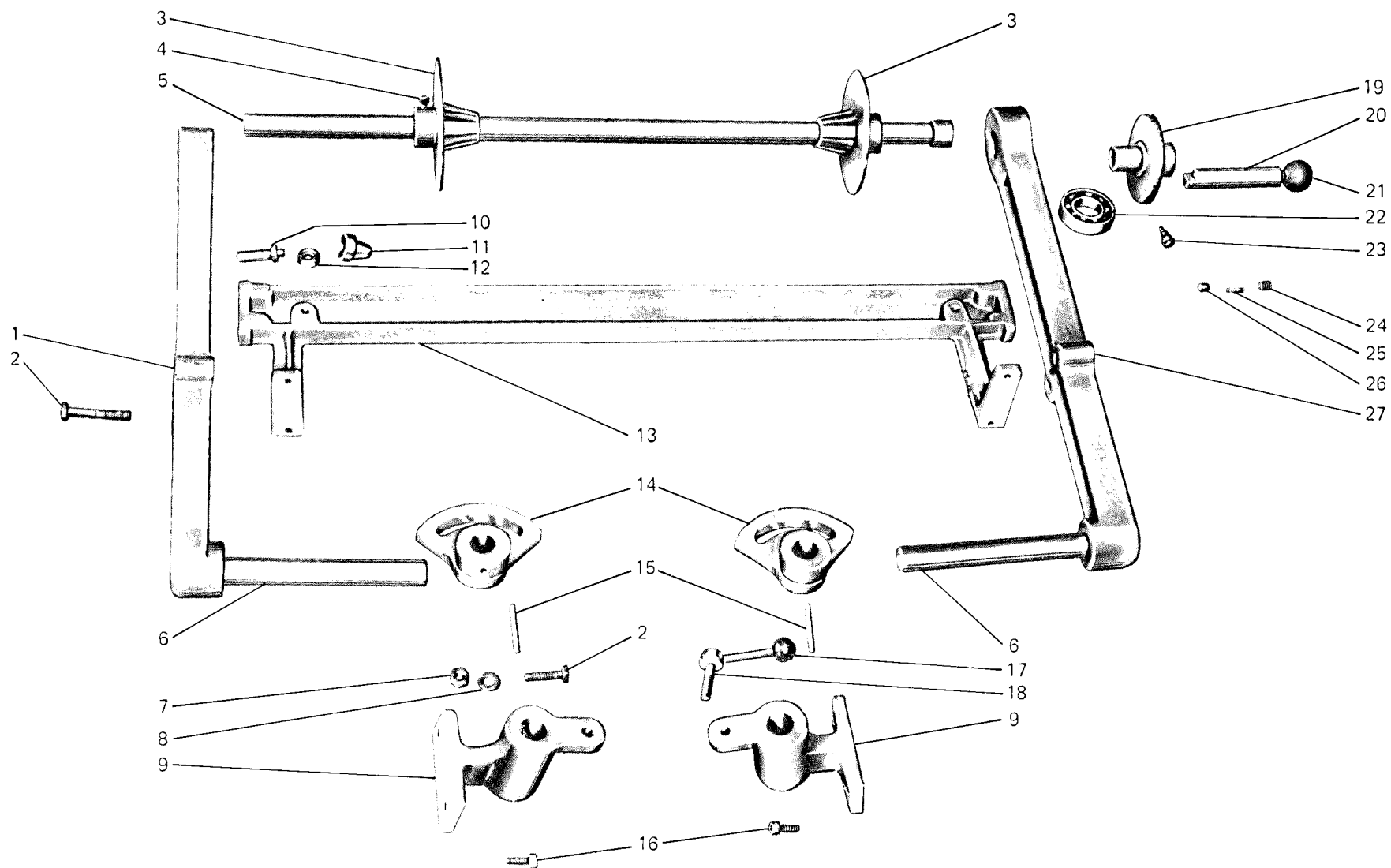


Fig. N. Abb. N.	Part. N. Piece N. Bestell N. Pieza N.	Qt. Anzahl	DESCRIZIONE	DESCRIPTION	DESCRIPTION	BENENNUNG	DESCRIPCION
1	RPS-969/180	1	braccio sinistro	left arm	bras gauche		
2	RPS-969/073	5	vite	screw	vis		
3	RPS-969/181	2	innesto porta pezza	coupling	embrayage		
4	RPS-969/182	2	pomolo	knob	pommeau		
5	RPS-969/183	1	albero porta pezza	shaft	arbre		
6	RPS-969/184	2	albero per bracci	shaft	arbre		
7	RPS-969/074	1	dado	nut	écrou		
8	RPS-969/075	5	rondella	washer	rondelle		
9	RPS-969/185	2	supporto	support	support		
10	RPS-969/186	1	alberino	shaft	arbre		
11	RPS-969/187	1	innesto	coupling	embrayage		
12	RPS-969/1S	1	cuscinetto	bearing	coussinet		
13	RPS-969/188	1	traversa	tie	traverse		
14	RPS-969/189	2	settore	sector	secteur		
15	RPS-969/190	2	spina	pin	goupille		
16	RPS-969/076	4	vite	screw	vis		
17	RPS-969/191	1	pomolo	knob	pommeau		
18	RPS-969/192	1	maniglia	lever	levier		
19	RPS-969/193	1	frizione	clutch	friction		
20	RPS-969/194	1	innesto albero	coupling	embrayage		
21	RPS-969/195	1	pomolo	knob	pommeau		
22	RPS-969/1T	1	cuscinetto	bearing	coussinet		
23	RPS-969/077	1	vite	screw	vis		
24	RPS-969/078	2	vite	screw	vis		
25	RPS-969/079	2	molla	spring	ressort		
26	RPS-969/196	2	pastiglia	plug	bouchon		
27	RPS-969/197	1	braccio destro	right arm	bras droite		

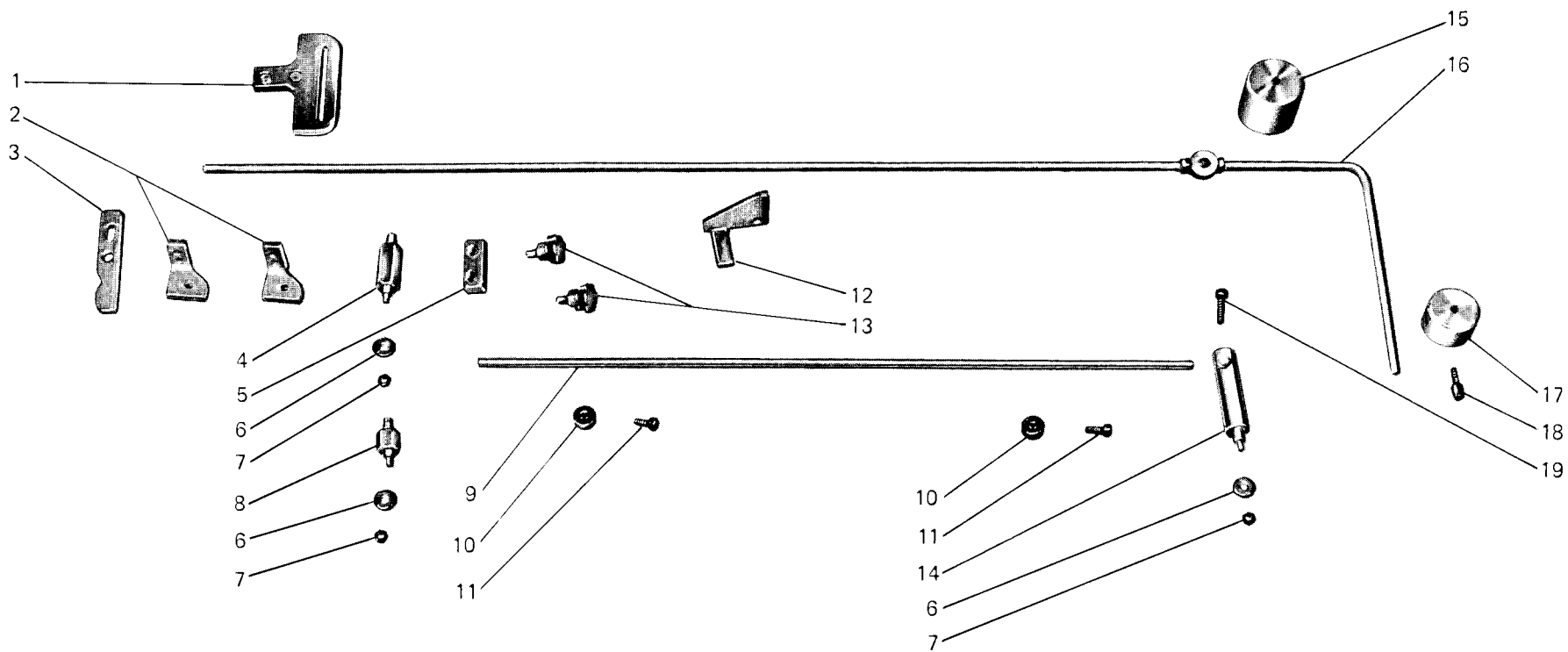


Fig. N. Abb. N.	Part. N. Piece N. Bestell N. Pieza N.	Qt. Anzahl	DESCRIZIONE	DESCRIPTION	DESCRIPTION	BENENNUNG	DESCRIPCION
1	RPS-969/198	1	supporto scorrevole	sliding support	support coulissant		
2	RPS-969/199	2	supporto astina	support	support		
3	RPS-969/200	1	leva	lever	levier		
4	RPS-969/201	1	perno	pin	pivot		
5	RPS-969/202	1	supporto	support	support		
6	RPS-969/203	3	rondella	washer	rondelle		
7	RPS-969/080	3	dado	nut	écrou		
8	RPS-969/204	1	perno	pin	pivot		
9	RPS-969/205	1	astina	rod	tige		
10	RPS-969/206	2	anello di fermo	ring	anneau		
11	RPS-969/081	2	vite	screw	vis		
12	RPS-969/207	1	squadretta di arresto	bracket	équerre		
13	RPS-969/208	2	volantino	handwheel	volant		
14	RPS-969/209	1	perno	pin	pivot		
15	RPS-969/210	1	peso	weight	poids		
16	RPS-969/211	1	astina bilanciata	compensator rod	tige balancier		
17	RPS-969/212	1	peso	weight	poids		
18	RPS-969/082	1	vite	screw	vis		
19	RPS-969/083	1	vite	screw	vis		

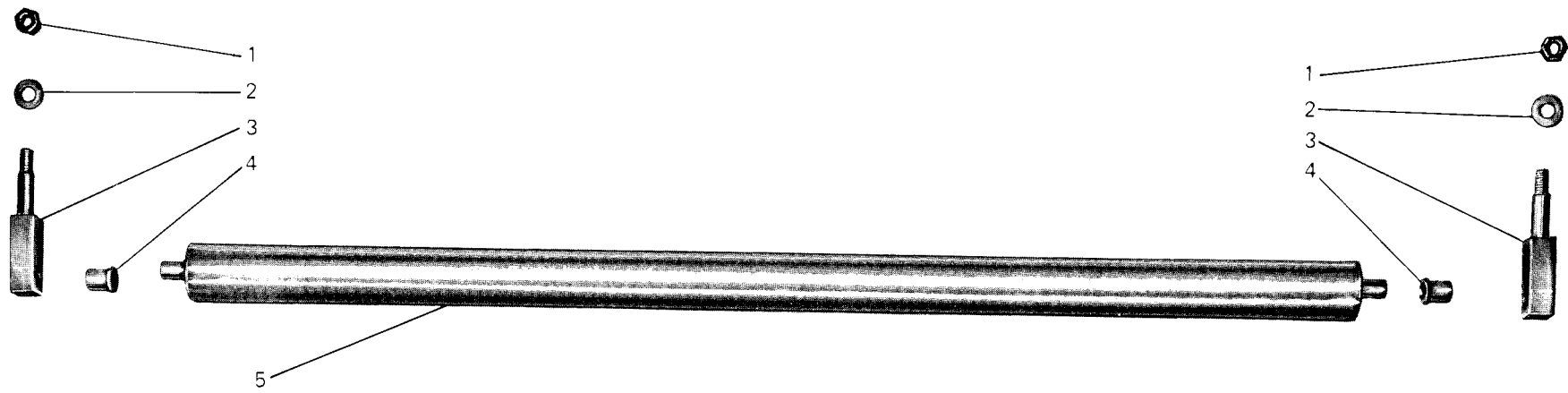


Fig. N. Abb. N.	Part. N. Bestell N. Piece N. Pieza N.	Qt. Anzahl	DESCRIZIONE	DESCRIPTION	DESCRIPTION	BENENNUNG	DESCRIPCION
1	RPS-969/084	2	dado	nut	écrou		
2	RPS-969/085	2	rondella	washer	rondelle		
3	RPS-969/213	2	supporto	support	support		
4	RPS-969/214	2	bussola	bush	bague		
5	RPS-969/215	1	rullo	roller	rouleau		

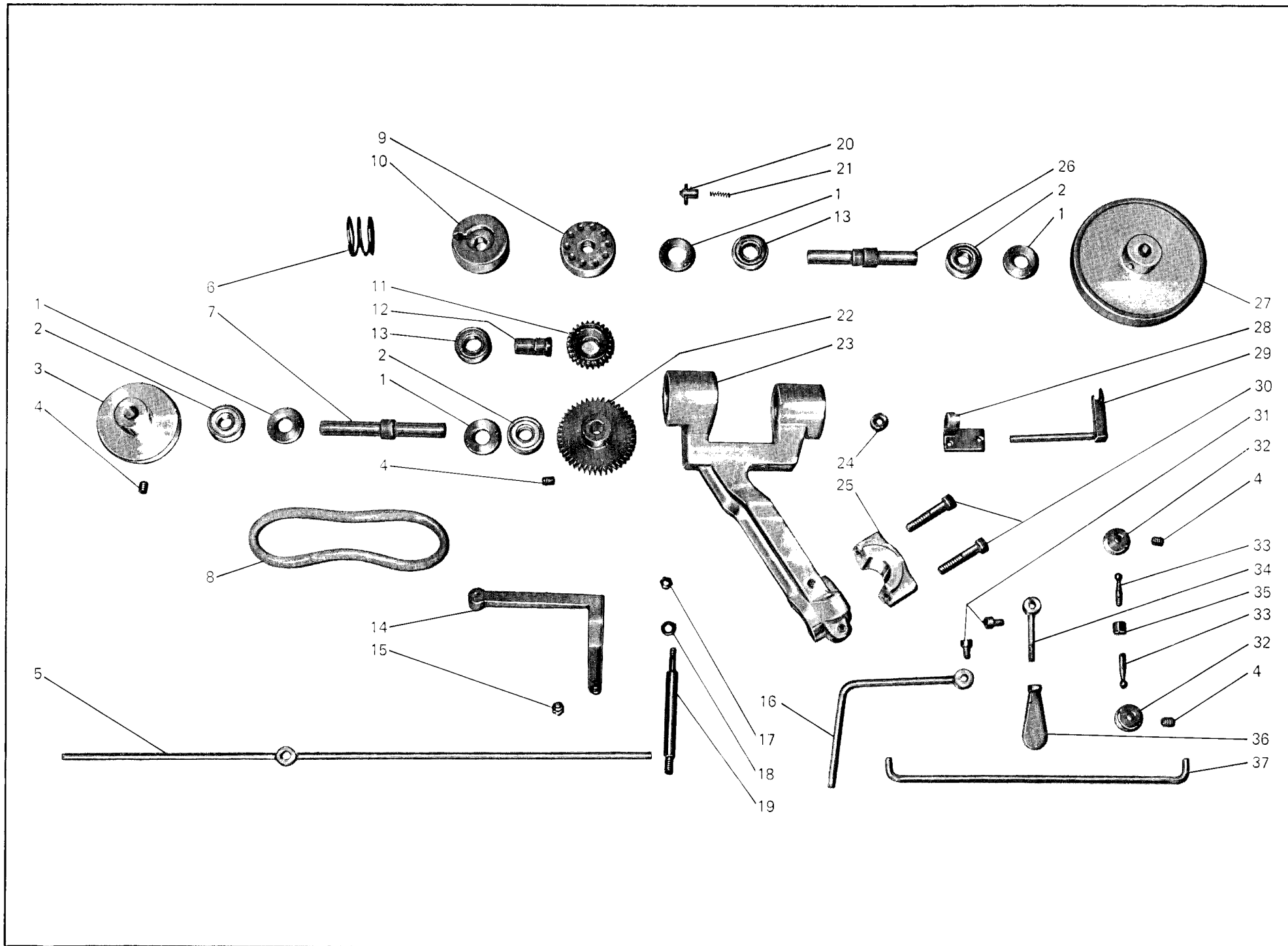


Fig. N. Abb. N.	Part. N. Bestell N. Pieze N. Pieza N.	Qt. Anzahl	DESCRIZIONE	DESCRIPTION	DESCRIPTION	BENENNUNG	DESCRIPCION
1	RPS-969/216	4	anello bloccaggio	ring		anneau	
2	RPS-969/1U	3	cuscinetto	bearing		coussinet	
3	RPS-969/217	1	puleggia	pulley		poulie	
4	RPS-969/086	6	vite	screw		vis	
5	RPS-969/218	1	astina	rod		tige	
6	RPS-969/219	1	molla	spring		ressort	
7	RPS-969/220	1	alberino superiore	upper shaft		arbre supérieur	
8	RPS-969/221	1	cinghia	belt		courroie	
9	RPS-969/222	1	innesto nottolino	powl coupling		embrayage axe	
10	RPS-969/223	1	disco porta innesto	disc		disque	
11	RPS-969/224	1	ingranaggio	gear		engrenage	
12	RPS-969/225	1	albero	shaft		arbre	
13	RPS-969/1V	2	cuscinetto	bearing		coussinet	
14	RPS-969/226	1	supporto	support		support	
15	RPS-969/227	1	dado	nut		écrou	
16	RPS-969/228	1	bilanciere	compensator		balancier	
17	RPS-969/087	1	dado	nut		écrou	
18	RPS-969/088	1	rondella	washer		rondelle	
19	RPS-969/229	1	perno	pin		pivot	
20	RPS-969/230	1	nottolino	powl		axe	
21	RPS-969/231	1	molletta	spring		ressort	
22	RPS-969/232	1	ingranaggio superiore	upper gear		engrenage supérieur	
23	RPS-969/233	1	braccio	arm		bras	
24	RPS-969/089	1	rondella elastica	spring washer		rondelle élastique	
25	RPS-969/234	1	staffa	bracket		bride	
26	RPS-969/235	1	alberino	shaft		arbre	
27	RPS-969/236	1	disco	disc		disque	
28	RPS-969/237	1	supporto	support		support	
29	RPS-969/238	1	forcella	fork		fourche	
30	RPS-969/090	2	vite	screw		vis	
31	RPS-969/091	2	vite	screw		vis	
32	RPS-969/239	2	anello	ring		anneau	
33	RPS-969/240	2	perno a sfera	ball joint		pivot à sphère	
34	RPS-969/241	1	sostegno	support		support	
35	RPS-969/242	1	dado	nut		écrou	
36	RPS-969/243	1	attacco	coupling		raccord	
37	RPS-969/244	1	bilanciere	compensator		balancier	

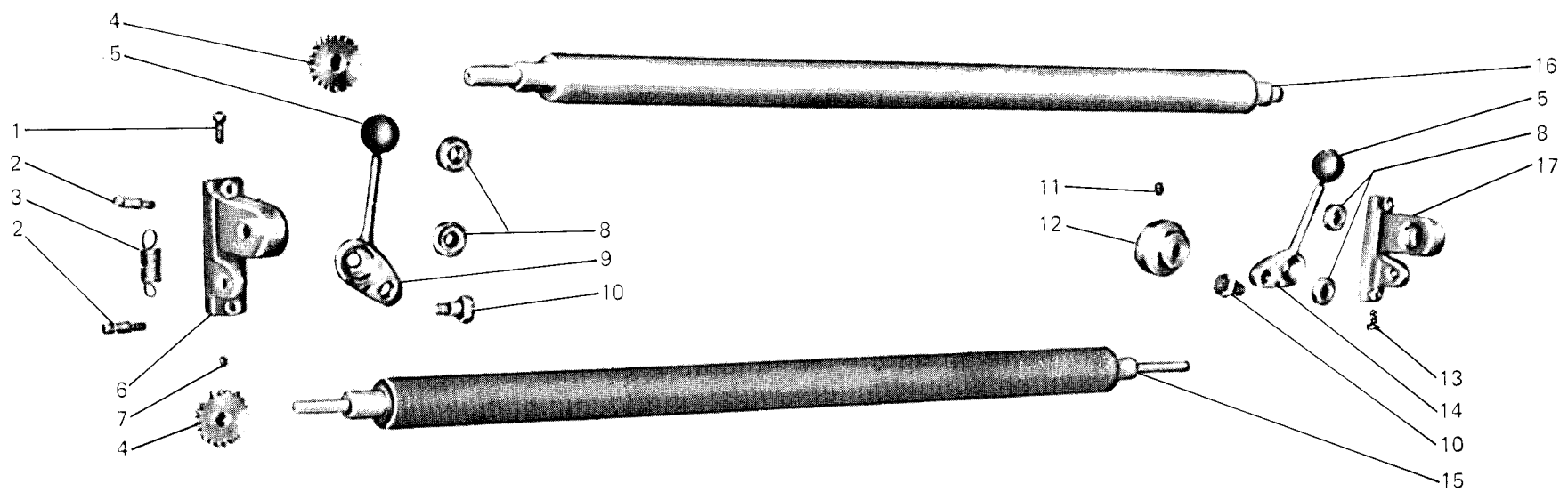


Fig. N. Abb. N.	Part. N. Piece N. Bestell N. Pieza N.	Qt. Anzahl	DESCRIZIONE	DESCRIPTION	DESCRIPTION	BENENNUNG	DESCRIPCION
1	RPS-969/092	2	vite	screw	vis		
2	RPS-969/245	4	perno	pin	pivot		
3	RPS-969/246	2	molla	spring	ressort		
4	RPS-969/247	2	ingranaggio	gear	engrenage		
5	RPS-969/248	2	pomolo	knob	pommeau		
6	RPS-969/249	1	supporto sinistro	left support	support gauche		
7	RPS-969/093	2	vite	screw	vis		
8	RPS-969/1W	4	cuscinetto	bearing	coussinet		
9	RPS-969/250	1	supporto mobile sinistro	left movable support	support mobile gauche		
10	RPS-969/251	2	vite a perno	screw	vis		
11	RPS-969/094	1	vite	screw	vis		
12	RPS-969/252	1	puleggia	pulley	poulie		
13	RPS-969/095	2	vite	screw	vis		
14	RPS-969/253	1	supporto mobile destro	right movable support	support mobile droite		
15	RPS-969/254	1	rullo	roller	rouleau		
16	RPS-969/255	1	rullo	roller	rouleau		
17	RPS-969/256	1	supporto destro	right support	support droite		

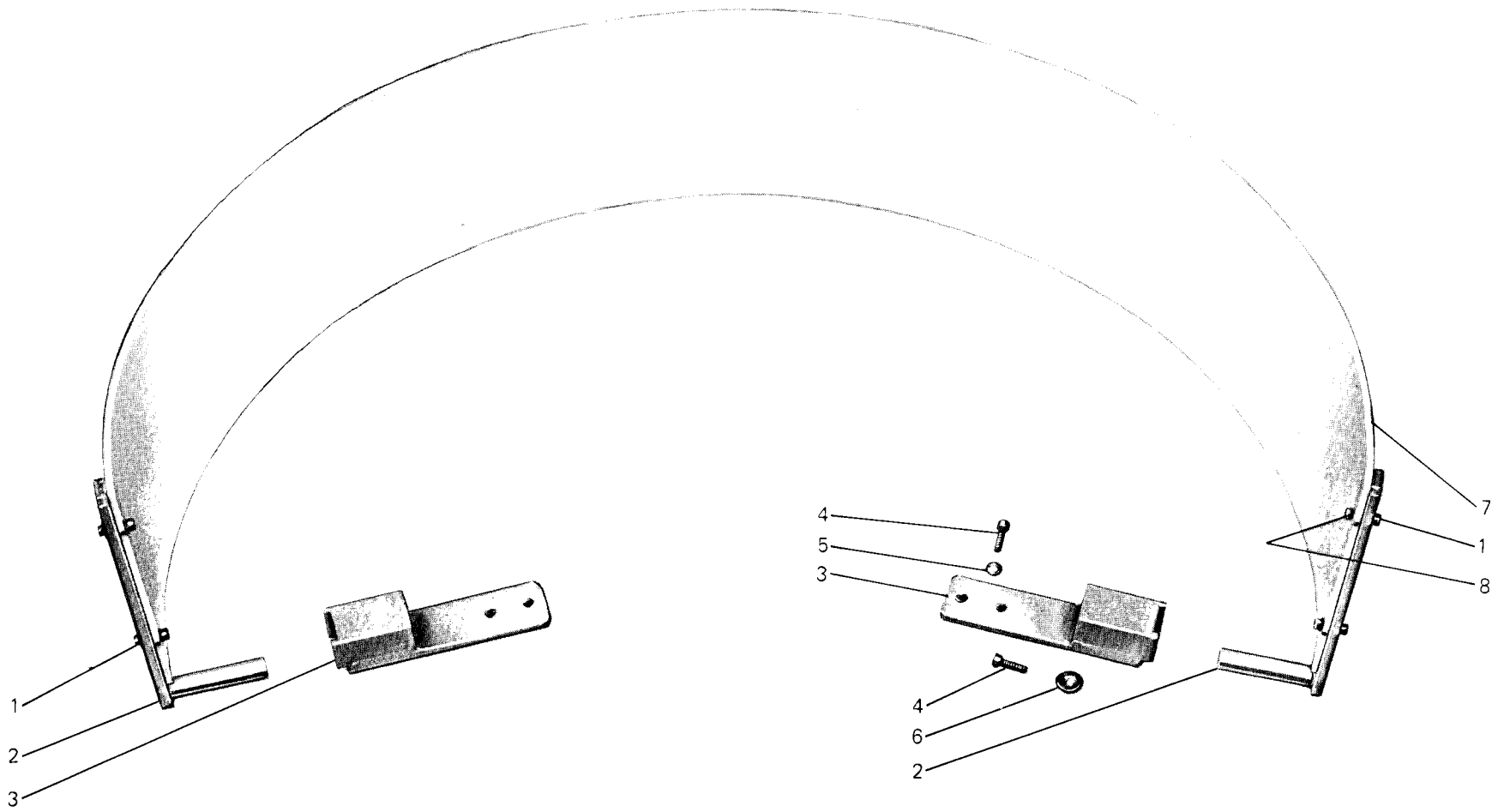


Fig. N. Abb. N.	Part. N. Bestell N. Piece N. Pieza N.	Ct. Anzahl	DESCRIZIONE	DESCRIPTION	DESCRIPTION	BENENNUNG	DESCRIPCION
1	RPS-969/096	4	vite	screw	vis		
2	RPS-969/257	2	supporto riparo	support	support		
3	RPS-969/258	2	supporto	support	support		
4	RPS-969/097	4	vite	screw	vis		
5	RPS-969/098	4	rondella	washer	rondelle		
6	RPS-969/259	2	rondella	washer	rondelle		
7	RPS-969/260	1	protezione	protection	protection		
8	RPS-969/099	4	dado	nut	écrou		

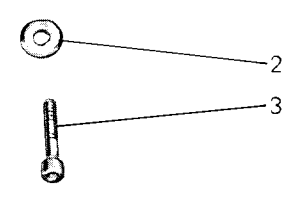
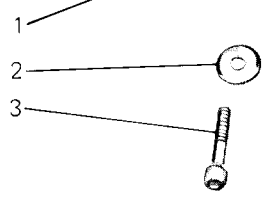
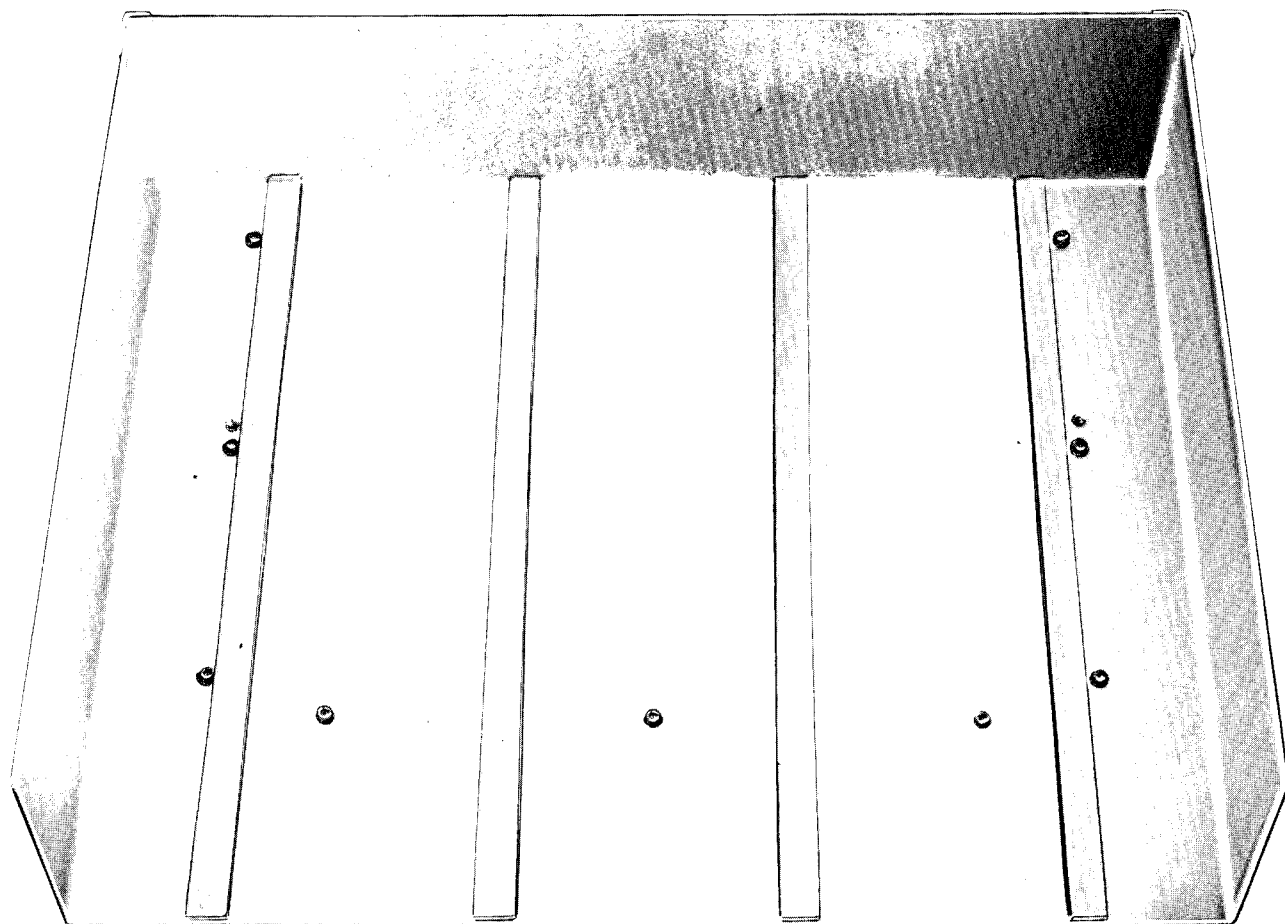


Fig. N. Abb. N.	Part. N. Bestell N. Piece N. Pieza N.	Qt. Anzahl	DESCRIZIONE	DESCRIPTION	DESCRIPTION	BENENNUNG	DESCRIPCION
1	RPS-969/261	1	contenitore	container	container		
2	RPS-969/262	2	rondella	washer	rondelle		
3	RPS-969/0100	2	vite	screw	vis		

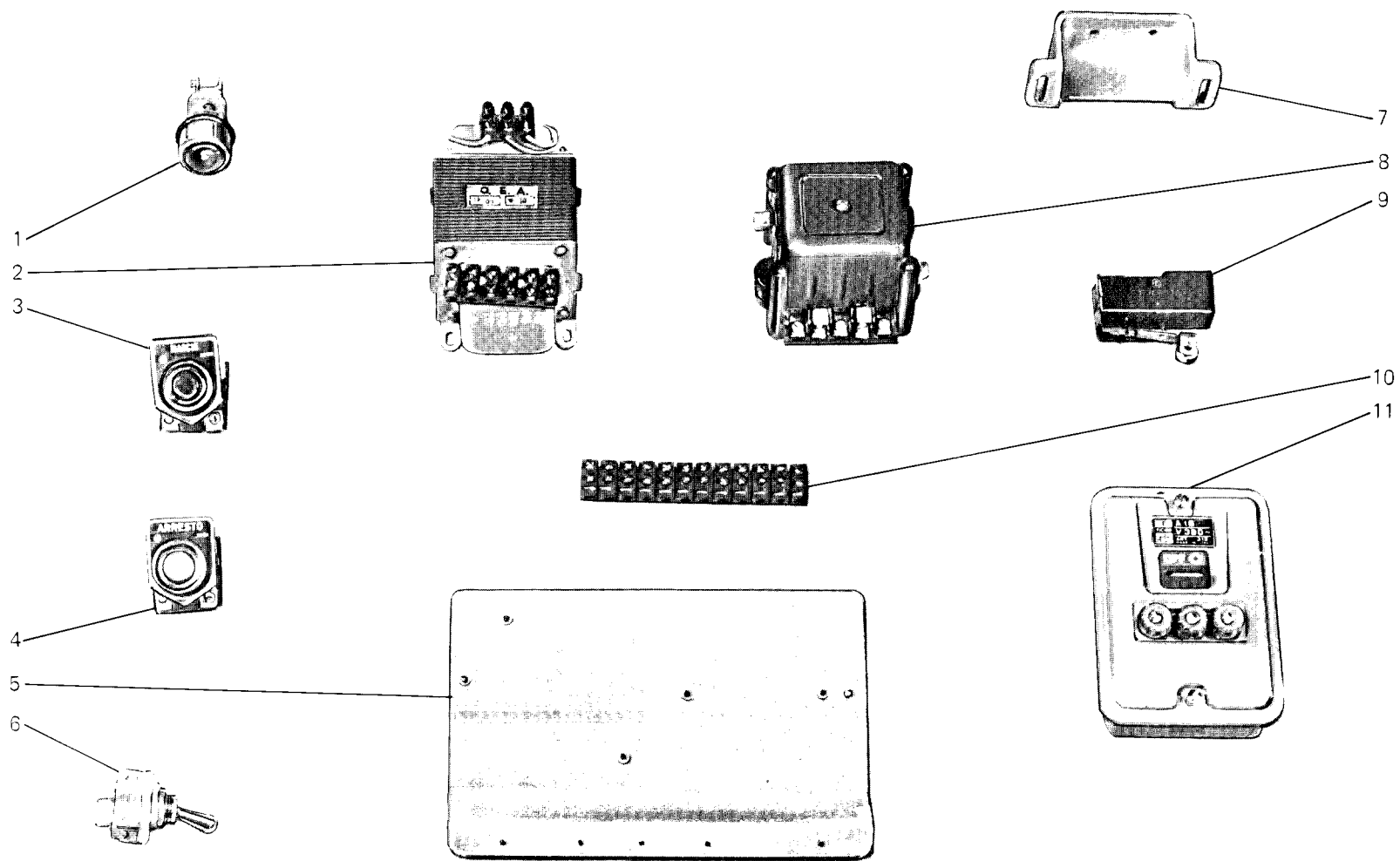


Fig. N. Abb. N.	Part. N. Piece N. Bestell N. Pieza N.	Ct. Anzahl	DESCRIZIONE	DESCRIPTION	DESCRIPTION	BENENNUNG	DESCRIPCION
1	RPS-969/263	1	lampada spia	lamp	lampe		
2	RPS-969/264	1	trasformatore 30W	transformer	transformateur		
3	RPS-969/265	1	pulsante marcia	push-button	poussoir		
4	RPS-969/266	1	pulsante arresto	push-button	poussoir		
5	RPS-969/267	1	piastra	plate	plaque		
6	RPS-969/268	1	interruttore	switch	interrupteur		
7	RPS-969/269	1	protezione microinterruttore	microswitch protection	protection micro-interrupteur		
8	RPS-969/270	1	teleruttore T6-8-24V	electromagnetic switch	télerupteur		
9	RPS-969/271	1	microinterruttore	microswitch	micro-interrupteur		
10	RPS-969/272	1	morsettiera	junction box	plaque à bornes		
11	RPS-969/273	1	interruttore	switch	interrupteur		



Rockwell-Rimoldi S.p.A.

9, via Vespri Siciliani — 20146 Milano (Italy)
Telefono: 470.152 - 470.081 — Telex: 39280

Printed in Italy