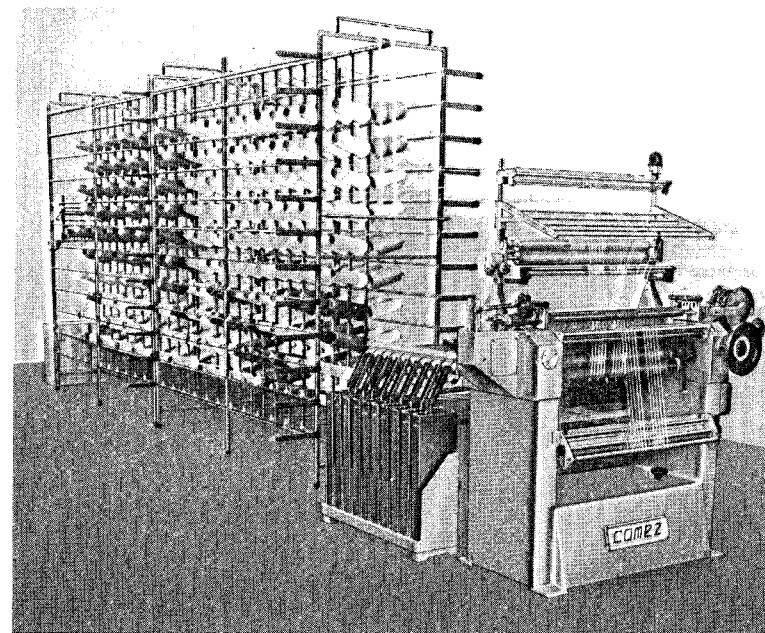


# Rimoldi

CATALOGO PEZZI DI RICAMBIO  
SPARE PARTS CATALOGUE  
CATALOGUE RECHANGES  
ERSATZTEILELISTE

**COMEZ**  
**SV800-SVT1000**



**n. 165**

652800900

UFFICIO CATALOGHI 7/76

Il presente Catalogo Pezzi di Ricambio é costituito dai particolari componenti le macchine SV 800 - SVT 1000 e dai particolari componenti i dispositivi fornibili a richiesta.

Nella consultazione del Catalogo tenere presente che:

- 1 I particolari impiegati solo per la macchina SV 800 sono contraddistinti dalla scritta (800) dopo la descrizione
- 2 I particolari impiegati solo per la macchina SVT 1000 sono contraddistinti dalla scritta (1000) dopo la descrizione
- 3 I particolari comuni non hanno alcun richiamo
- 4 Tutti i particolari non fornibili sciolti non vengono richiamati, ma soltanto illustrati nel gruppo di appartenenza
- 5 Tutti i particolari che variano in finezza, hanno il numero di riferimento e la descrizione ripetuti per ogni finezza fornibile (15 - 14 - 12)
- 6 I riferimenti delle figure dei particolari che compongono un gruppo sono di norma raggruppati in una parentesi. In alcuni casi però, dove non é possibile il raggruppamento, i numeri che nelle tavole illustrative richiamano i singoli pezzi sono affiancati dallo stesso segno particolare, con cui é indicato l'intero gruppo.

#### AVVERTENZA

Per facilitare la ricerca viene riportato l'indice numerico di tutti i particolari illustrati sul Catalogo, con la relativa tavola in cui gli stessi sono richiamati. Nella richiesta di parti di ricambio, citare sempre il modello ed il numero di matricola della macchina, il simbolo del particolare, la finezza e la denominazione ufficiale usata sul catalogo.



This Spare Parts Catalogue refers to parts for SV 800 and SVT 1000 machines and parts for the devices that can be supplied on request.

When using the catalogue please bear in mind that:

- 1 The parts for SV 800 machine only have (800) printed after the description
- 2 The parts for SVT 1000 machine only have (1000) printed after the description
- 3 Parts common to both machines are not differentiated
- 4 All the parts that are not supplied separately have no individual reference but are illustrated only in their relative assemblies
- 5 All parts that vary in gauge have the reference number and description repeated for each gauge that can be supplied (15 - 14 - 12)
- 6 References to illustrations of parts that form an assembly are usually grouped in brackets. In some cases, however, where grouping is impossible, the special sign that indicates the whole assembly is printed at the side of the number referring to the separate parts in the illustrated tables

#### IMPORTANT

To facilitate its use, this catalogue contains a numerical index of all the parts illustrated, together with the table in which they are to be found. When ordering spares, always state the model and serial number of the machine, the reference number of the part required, the gauge and official description given in the catalogue.



Ce catalogue de pièces détachées concerne les pièces composant les machines SV 800 et SVT 1000 ainsi que les pièces composant les dispositifs fournis sur demande.

Lors de la consultation de ce catalogue se rappeler que:

- 1 Les pièces utilisées seulement pour la machine SV 800 sont suivies de l'inscription (800) après la description
- 2 Les pièces utilisées seulement pour la machine SVT 1000 sont suivies de l'inscription (1000) après la description
- 3 Les pièces communes à ces machines n'ont aucun renvoi
- 4 Les pièces qui ne sont pas fournies séparément ne sont pas citées, mais sont seulement illustrées dans le groupe auquel elles appartiennent
- 5 Toutes les pièces qui varient selon les jauges ont le numéro de référence et la description répétés pour chaque jauge fournie
- 6 Les références des illustrations des pièces qui composent un groupe sont généralement regroupées entre parenthèses. Dans certains cas cependant, lorsque le regroupement n'est pas possible, les chiffres qui dans les tableaux illustratifs indiquent les pièces ont à côté un même signe particulier avec lequel tout le groupe est indiqué.

#### AVERTISSEMENT

Pour faciliter les recherches, nous donnons l'index numérique de toutes les pièces illustrées dans ce catalogue ainsi que le tableau où elles sont indiquées. Lors des commandes de pièces détachées, il faut toujours citer le modèle et le numéro de matricule de la machine, le symbole de la pièce, la jauge et la dénomination officielle utilisée dans le catalogue.

TAV. N.	DESCRIZIONE
1	BASAMENTO – TENSIONATORE ORDITO
2	MOTORE – TRASMISSIONE
3	CASSETTE LATERALI E CENTRALE
4	POMPETTA – ALBERI LATERALI E CENTRALE
5	RIDUTTORE TRASMISSIONE
6	TAMBURO GLIDER – PROLUNGAMENTO
7	BARRE PORTATUBETTI
8	FRONTURE
9	BARRA PASSETTE
10	TIRAGGIO TESSUTO
11	ASPO RACCOGLITORE
12	RULLO AVVOLGIPEZZA
13	CASTELLO
14	APPARECCHIATURA ELETTRICA
15	LEGENDA SCHEMA ELETTRICO
16	CANTRA – PEC – PETTINE RINVIO FILI
17	ACCESSORI
18	TRAMATORE DOPPIA CAMMA
19	ALIMENTATORE
20	SOLLEVATORE ELASTICO – PASSAGGIO ELASTICI
21	RACCOGLITORE ELASTICO FINITO
22	ATTREZZO PER SMUSSARE I GLIDER – ATTREZZO PER RADDRIZZARE I TUBETTI
23	PROLUNGAMENTO SPECIALE CATENA
24	BARRA PASSETTE ELASTICI
25	BARRA BLOCCHI TUBETTI
26	PICHER
27	PORTA SUBBI INFERIORE
26	PORTA SUBBI SUPERIORE

INDICE NUMERICO

Part. N.	Tav. N.	Part. N.	Tav. N.	Part. N.	Tav. N.	Part. N.	Tav. N.	Part. N.	Tav. N.
RZR-012/60/453	8	RZR-015/60/035	2	RZR-015/60/174	9-10	RZR-P015/60/289	17-22	RZR-015/60/7413	16
RZR-P012/60/457	9-17-24	RZR-015/60/036	2	RZR-015/60/176	9	RZR-015/60/291	17	RZR-015/60/7414	16
RZR-012/60/9073	22	RZR-015/60/037	7:10-19-26	RZR-015/60/182	14	RZR-P015/60/291	17	RZR-015/60/7443	16
RZR-G012/60/9073	22	RZR-015/60/046	10	RZR-015/60/187	7-24-25	RZR-015/60/295	17	RZR-015/60/7455	1
RZR-P012/60/9409	25	RZR-015/60/047	10	RZR-015/60/188	7-24-25	RZR-P015/60/295	17	RZR-015/60/7456	1
RZR-012/80/9434	25	RZR-015/60/052	2	RZR-015/60/190	7-25	RZR-015/60/298	17	RZR-015/60/7508	16
RZR-012/80/480	7	RZR-015/60/057	6	RZR-015/60/191	19-21	RZR-P015/60/298	17	RZR-P015/60/7509	16
RZR-012/80/481	9	RZR-015/60/060	3	RZR-015/60/195	14	RZR-015/60/302	11	RZR-015/60/7703	4-18
RZR-012/80/482	8	RZR-015/60/066	20	RZR-015/60/196	14	RZR-015/60/304	11	RZR-015/60/7707	18
RZR-G012/80/482	8	RZR-P015/60/067	10	RZR-015/60/200	14	RZR-015/60/310	2	RZR-015/60/7708	18
RZR-012/80/484	8	RZR-015/60/068	14	RZR-015/60/210	11	RZR-015/60/320	6-23	RZR-015/60/7710	18
RZR-012/80/490	1-13-21	RZR-015/60/069	9	RZR-015/60/211	11	RZR-015/60/321	6	RZR-015/60/7711	18
RZR-012/80/4562	8	RZR-015/60/074	2	RZR-015/60/212	11	RZR-015/60/322	3	RZR-015/60/7714	18
RZR-012/80/8081	19	RZR-015/60/080	8	RZR-G015/60/217	11	RZR-015/60/330	12	RZR-P015/60/7714	18
RZR-012/100/551	9	RZR-015/60/083	4	RZR-015/60/222	11	RZR-015/60/331	12	RZR-015/60/7715	18
RZR-012/100/552	8	RZR-015/60/086	3	RZR-015/60/223	11	RZR-P015/60/332	2	RZR-P015/60/7715	18
RZR-G012/100/552	8	RZR-015/60/090	8	RZR-015/60/230	10	RZR-015/60/333	2	RZR-015/60/7717	18
RZR-012/100/554	8	RZR-015/60/092	8	RZR-015/60/234	11	RZR-G015/60/333	2	RZR-015/60/7718	18
RZR-012/100/559	1-12-13	RZR-015/60/093	8	RZR-015/60/235	11	RZR-P015/60/335	2	RZR-015/60/7719	18
RZR-012/100/4565	8	RZR-015/60/094	8	RZR-015/60/240	14	RZR-015/60/340	4	RZR-015/60/7722	18
RZR-012/100/9444	25	RZR-015/60/099	8	RZR-P015/60/241	10	RZR-015/60/343	4	RZR-015/60/7727	18
RZR-014/60/423	8	RZR-015/60/86	14	RZR-015/60/243	10	RZR-015/60/344	17	RZR-015/60/7782	18
RZR-P014/60/427	9-17-24	RZR-015/60/100	8	RZR-P015/60/244	10	RZR-015/60/345	17	RZR-015/60/7807	21
RZR-014/60/9074	22	RZR-015/60/102	8	RZR-015/60/245	10-19-21	RZR-015/60/364	21	RZR-015/60/7810	21
RZR-G014/60/9074	22	RZR-015/60/105	8	RZR-015/60/247	3-10-27-28	RZR-015/60/405	8	RZR-015/60/7811	21
RZR-P014/60/9408	25	RZR-015/60/114	4	RZR-015/60/248	10	RZR-015/60/570	17	RZR-015/60/7813	21
RZR-014/80/400	7	RZR-015/60/120	12	RZR-015/60/249	10	RZR-015/60/571	17	RZR-P015/60/7816	21
RZR-014/80/402	8	RZR-015/60/125	9-19	RZR-015/60/257	17	RZR-015/60/572	17	RZR-015/60/7817	21
RZR-G014/80/402	8	RZR-015/60/138	3-5	RZR-015/60/258	17	RZR-015/60/573	17	RZR-015/60/7820	21
RZR-014/80/404	8	RZR-015/60/139	3-5-18	RZR-015/60/263	9	RZR-015/60/574	17	RZR-015/60/7829	10-11
RZR-014/80/411	1-13-21	RZR-015/60/140	8	RZR-G015/60/263	9	RZR-015/60/575	17	RZR-015/60/7834	21
RZR-014/80/4561	8	RZR-015/60/145	14	RZR-015/60/264	9-13-19	RZR-015/60/576	17	RZR-015/60/7835	21
RZR-014/80/8080	19	RZR-G015/60/145	14	RZR-015/60/271	4-6	RZR-015/60/577	17	RZR-015/60/7846	21
RZR-014/100/542	8	RZR-015/60/146	6	RZR-015/60/277	11	RZR-015/60/579	17	RZR-G015/60/7984	19
RZR-G014/100/542	8	RZR-015/60/153	17	RZR-015/60/278	11	RZR-015/60/580	17	RZR-P015/60/7986	19
RZR-014/100/543	8	RZR-015/60/156	9-19	RZR-015/60/279	11	RZR-015/60/7400	16	RZR-015/60/7988	19
RZR-014/100/547	1-12-13	RZR-015/60/158	14	RZR-015/60/280	11	RZR-015/60/7402	16	RZR-015/60/7989	19
RZR-014/100/4564	8	RZR-015/60/164	14	RZR-015/60/285	6	RZR-015/60/7405	16	RZR-P015/60/7992	19
RZR-015/20/8196	20	RZR-015/60/165	9-10-18	RZR-015/60/286	17	RZR-015/60/7406	16	RZR-P015/60/7993	19
RZR-015/60/010	7-21-24-25	RZR-015/60/169	9-18	RZR-015/60/288	17	RZR-015/60/7407	16	RZR-P015/60/7995	19
RZR-015/60/021	2	RZR-P015/60/171	9-17-24	RZR-015/60/289	17	RZR-015/60/7410	16	RZR-015/60/7996	19

INDICE NUMERICO

Part. N.	Tav. N.	Part. N.	Tav. N.	Part. N.	Tav. N.	Part. N.	Tav. N.	Part. N.	Tav. N.
RZR-015/60/8000	4-19	RZR-015/60/8177	20	RZR-015/60/9077	22	RZR-015/80/4529	4	RZR-015/80/9430	24-25
RZR-015/60/8001	20	RZR-015/60/8181	20	RZR-015/60/9090	22	RZR-015/80/4534	4	RZR-015/80/9431	24-25
RZR-015/60/8007	19	RZR-015/60/8182	20	RZR-015/60/9200	28	RZR-015/80/4535	4	RZR-015/80/9434	24
RZR-015/60/8010	19	RZR-P015/60/8185	20	RZR-015/60/9201	28	RZR-015/80/4560	8	RZR-015/100/501	9
RZR-015/60/8013	21	RZR-015/60/8186	20	RZR-015/60/9203	27-28	RZR-015/80/4580	9	RZR-015/100/502	8
RZR-015/60/8017	19	RZR-015/60/8187	20	RZR-015/60/9204	27-28	RZR-G015/80/4580	9	RZR-G015/100/502	8
RZR-015/60/8019	19	RZR-015/60/8188	20	RZR-P015/60/9205	27-28	RZR-015/80/4583	9	RZR-015/100/504	8
RZR-P015/60/8021	19	RZR-015/60/8189	20	RZR-015/60/9206	27-28	RZR-015/80/4584	9	RZR-015/100/511	9
RZR-015/60/8022	19	RZR-P015/60/8190	20	RZR-015/60/9207	27-28	RZR-G015/80/4584	9	RZR-015/100/519	1-12-13
RZR-015/60/8023	19	RZR-015/60/8191	20	RZR-P015/60/9215	27	RZR-015/80/4604	6	RZR-015/100/520	1
RZR-015/60/8024	19	RZR-015/60/8192	20	RZR-P015/60/9220	28	RZR-015/80/4605	6	RZR-015/100/521	13
RZR-015/60/8027	19	RZR-015/60/8194	20	RZR-P015/60/9407	25	RZR-P015/80/4633	10	RZR-015/100/524	13
RZR-015/60/8029	19	RZR-015/60/8195	20	RZR-015/60/9507	11-12	RZR-015/80/4635	10	RZR-015/100/525	9
RZR-015/60/8044	16-20	RZR-015/60/8197	20	RZR-015/60/9518	11-12	RZR-P015/80/4636	10	RZR-015/100/4563	8
RZR-015/60/8047	24	RZR-015/60/8198	20	RZR-015/80/360	7	RZR-015/80/4638	10	RZR-015/100/7480	1
RZR-015/60/8059	19	RZR-015/60/8261	16	RZR-015/80/361	9	RZR-015/80/4639	10	RZR-015/100/7481	1
RZR-015/60/8069	19-21	RZR-G015/60/8261	16	RZR-015/80/362	9	RZR-G015/80/4639	10	RZR-015/100/7482	1
RZR-015/60/8071	19	RZR-015/60/8300	26	RZR-015/80/363	1	RZR-G015/80/4770	14	RZR-P015/100/9212	27
RZR-015/60/8072	19	RZR-015/60/8301	26	RZR-015/80/364	1	RZR-P015/80/4770	14	RZR-015/100/9440	25
RZR-015/60/8073	19	RZR-015/60/8307	26	RZR-015/80/366	8	RZR-015/80/4771	14	RZR-015/100/9441	25
RZR-015/60/8074	19	RZR-015/60/8308	26	RZR-015/80/367	8	RZR-015/80/4772	14	RZR-016/60/214	11
RZR-015/60/8075	19	RZR-015/60/8310	26	RZR-G015/80/367	8	RZR-015/80/4773	14	RZR-016/60/8116	20
RZR-015/60/8083	19	RZR-015/60/8312	26	RZR-015/80/369	8	RZR-015/80/4774	1	RZR-020/60/610	26
RZR-P015/60/8112	19	RZR-015/60/8315	26	RZR-015/80/370	11	RZR-015/80/7470	1	RZR-020/60/8707	20
RZR-015/60/8114	19	RZR-015/60/8316	26	RZR-015/80/373	11	RZR-015/80/7471	1	RZR-020/80/2551	16
RZR-G015/60/8114	19	RZR-015/60/8321	26	RZR-015/80/374	11	RZR-015/80/7472	1	RZR-G035/60/846	2-5-11-12-21
RZR-015/60/8127	20	RZR-015/60/8563	23	RZR-G015/80/374	11	RZR-015/80/7829	21	RZR-035/60/8806	16
RZR-015/60/8133	27-28	RZR-015/60/8564	23	RZR-015/80/375	8	RZR-015/80/7905	21	RZR-035/60/8807	16
RZR-015/60/8142	16-20	RZR-G015/60/8564	23	RZR-015/80/380	13	RZR-015/80/7909	21	RZR-G035/60/8809	16
RZR-015/60/8150	20	RZR-015/60/8565	23	RZR-G015/80/382	9-19	RZR-015/80/7914	21	RZR-040/100/1004	13
RZR-015/60/8154	20	RZR-015/60/8584	23	RZR-P015/80/391	11	RZR-015/80/7917	21	RZR-040/100/1016	9
RZR-015/60/8166	16-20	RZR-015/60/8585	23	RZR-015/80/394	9	RZR-015/80/7919	21	RZR-040/100/1017	9
RZR-015/60/8168	20	RZR-P015/60/8589	23	RZR-015/80/395	1-13-21	RZR-015/80/7984	19	RZR-040/100/1019	9
RZR-015/60/8169	20	RZR-015/60/8681	13-14	RZR-015/80/396	8	RZR-P015/80/7991	19	RZR-040/100/1020	9-13
RZR-P015/60/8170	20	RZR-015/60/8688	10	RZR-P015/80/398	10	RZR-015/80/7998	19	RZR-G040/100/1030	9
RZR-P015/60/8171	20	RZR-015/60/8689	10-14	RZR-G015/80/413	9	RZR-015/80/8035	19	RZR-P040/100/1042	10
RZR-015/60/8172	20	RZR-015/60/9060	22	RZR-015/80/4516	3	RZR-015/80/8036	19	RZR-P040/100/1043	12
RZR-015/60/8173	20	RZR-015/60/9062	22	RZR-015/80/4517	3	RZR-P015/80/8043	19	RZR-G040/100/1048	9
RZR-P015/60/8174	20	RZR-015/60/9075	22	RZR-015/80/4518	3	RZR-015/80/8044	19	RZR-040/100/1060	8
RZR-P015/60/8175	20	RZR-G015/60/9075	22	RZR-P015/80/4525	4	RZR-015/80/8079	19	RZR-040/100/1064	8
RZR-P015/60/8176	20	RZR-015/60/9076	22	RZR-015/80/4528	4	RZR-P015/80/9211	27-28	RZR-040/100/8851	16

Part. N.	Tav. N.	Part. N.	Tav. N.	Part. N.	Tav. N.	Part. N.	Tav. N.	Part. N.	Tav. N.
RZR-P040/100/9212	28	RZR-2/C/25	10-12-13-19	RZR-12/MTN-288	16	RZR-36/F/20	3-4-8-12-13	RZR-60/R/4	21
RZR-075/100/2634	23		23	RZR-12/MTN/576	16		16-19-21	RZR-60/S/30	10
RZR-082/150/2020	3-5-18	RZR-2/D/10	9	RZR-13/B/10	10	RZR-36/F/22	19	RZR-60/T/70	8
RZR-082/150/2041	3	RZR-2/D/16	1-6-9-21	RZR-14/B/5	9-18	RZR-36/F/25	8-9-13-20-21	RZR-62/A/4	14-19
RZR-082/150/2065	2	RZR-2/D/20	9-11-12-27	RZR-14/G/10	16	RZR-36/F/30	20-27-28	RZR-62/C/5	5-8-16-19-20
RZR-082/150/2104	2	RZR-2/D/25	6-8-18	RZR-16/D/5	26	RZR-36/F/40	16		24
RZR-P082/150/2379	11	RZR-2/D/30	6	RZR-16/F/4	7-19-21-22	RZR-36/F/50	2-16-20	RZR-62/C/25	25
RZR-082/150/2400	27	RZR-2/M/14	8		24-25-26	RZR-36/G/20	2-4-5-6-7-11	RZR-62/D/6	3-4-5-6-8-9-10
RZR-082/150/2401	27	RZR-3/C/8	20	RZR-16/F/5	21		12-18-20-21		12-13-16-19
RZR-082/150/2421	23	RZR-3/D/6	2-7-18-24-25	RZR-16/F/6	10-13	RZR-36/G/25	2-3-5-9-10-18		20-21-23-27
RZR-082/150/2431	23	RZR-3/D/8	1-4-7-9-10-19	RZR-16/F/12	5		23		28
RZR-G082/150/2431	23		20-21-24-25	RZR-16/G/5	2-5	RZR-36/G/30	9	RZR-62/F/8	2-3-4-5-6-7-8-9
RZR-082/150/2432	23	RZR-3/D/10	3-7-10-11-12	RZR-16/G/6	1-2-11-13-14	RZR-36/G/40	8		10-11-16-18
RZR-1/C/8	20		13-19-20-23		19-21	RZR-36/H/25	1		19-21-23
RRZ-1/C/10	13-14	RZR-3/D/15	2-4-27-28	RZR-16/G/8	1-6-9-13-26	RZR-36/H/50	6	RZR-62/G/10	1-2-6-10-21
RZR-1/C/15	14	RZR-3/E	27	RZR-16/G/10	6-11	RZR-36/R/25	7-24-25		23
RZR-1/C/20	14	RZR-3/E/8	4-9-19-26	RZR-18/P/50	10	RZR-40/B/14	19	RZR-110/280/3554	1
RZR-1/D/5	9-13-19-20	RZR-3/E/10	4-5-8-10-18	RZR-18/R/55	7-10	RZR-40/C/8	9	RZR-125/80/4802	2
RZR-1/D/7	8		19-23-28	RZR-18/S/100	8	RZR-40/G/5,5	26	RZR-125/80/4803	2
RZR-1/E/5	1-9-13-19	RZR-3/E/15	6-7-18-23	RZR-20/D/30	8	RZR-40/P/8	18	RZR-125/80/4830	8
RZR-1/E/8	9-27-28	RZR-4/A/8	1-26	RZR-20/E/30	6	RZR-41/B/7	9-17-18-24-25	RZR-G125/80/4830	8
RZR-1/E/10	13-14-26	RZR-4/D/10	5-9-19-21	RZR-21/D/15	10	RZR-50/D/6	19	RZR-125/80/4831	8
RZR-1/E/15	13-14	RZR-4/E/12	2-9-19	RZR-22/F/8	12	RZR-51/B/3	14	RZR-125/80/4832	8-17
RZR-1/E/25	10-14	RZR-4/F/5	12	RZR-26/E/8	20-21	RZR-51/F/5	5-7-14-16-20	RZR-125/80/4840	9
RZR-1/G/6	10	RZR-4/F/15	10-18-20-23	RZR-26/E/10	20	RZR-51/G/6	2-7-16-18-19	RZR-125/80/4863	7
RZR-1/G/10	1-5-11-12-13	RZR-4/G/15	5	RZR-26/F/10	3-9-11-18		20-21-23-24	RZR-125/80/4864	7
	16-18-19	RZR-4/H/20	3-4-5-6-18	RZR-26/F/15	1-4		25-27-28	RZR-125/80/4866	7-24-25
RZR-1/G/14	8	RZR-4/L/25	3-4-27-28	RZR-26/H/8	21	RZR-51/H/8	7-8-9-10-11	RZR-125/80/4868	7
RZR-1/H/10	6-21-23	RZR-4/O/30	7-10	RZR-26/H/10	3		16-18-19-20	RZR-125/80/4907	4
RZR-2/A/10	7-26	RZR-4/S/5	16-19-20	RZR-26/L/25	10		21	RZR-125/80/4908	4
RZR-2/B/10	7-9-10-11-12	RZR-4/T/12	18	RZR-31/C/10	9	RZR-51/L/10	1-2-10-21	RZR-G125/80/4908	4
	19-21-26	RZR-5/N/55	8	RZR-31/D/12	7-8	RZR-58/B/13	2	RZR-125/80/4909	4
RZR-2/B/12	7-13	RZR-7/A/4	17	RZR-32/E/12	6	RZR-58/E/15	19	RZR-125/80/4910	4
RZR-2/B/15	7-13-14-19	RZR-7/F/28	2	RZR-36/E/10	8-9-18-20-24	RZR-58/F/16	3-5-18	RZR-125/80/4912	4
	26	RZR-7/H/30	7-10		25	RZR-58/M/45	3	RZR-125/80/4913	3-4-5-18
RZR-2/B/20	1	RZR-7/R/55	8	RZR-36/E/20	7-20	RZR-59/C/10	8	RZR-125/80/4914	4
RZR-2/B/30	21	RZR-8/C/26	22	RZR-36/E/30	16	RZR-59/E/12	8	RZR-125/80/4915	4
RZR-2/C/10	4-6-19-24-25	RZR-9/B/25	4-8	RZR-36/F/10	2-3-5-9-11-19	RZR-60/B/5	4	RZR-125/80/4916	4
RZR-2/C/14	1-2-3-8-12-20	RZR-12/B/16	9	RZR-36/F/14	3	RZR-60/E/6	2	RZR-P125/80/4917	4
	27-28	RZR-12/D/20	3-4-5	RZR-36/F/15	5-6-10-12-13	RZR-60/L/12	8	RZR-125/80/4919	4
RZR-2/C/16	21	RZR-12/E/25	3		19-28	RZR-60/M/24	19	RZR-G125/80/4919	4

INDICE NUMERICO

Part. N.	Tav. N.	Part. N.	Tav. N.	Part. N.	Tav. N.	Part. N.	Tav. N.	Part. N.	Tav. N.
RZR-125/80/4920	4	RZR-P135/80/5043	2	RZR-135/80/5149	5	RZR-G135/80/5277	9	RZR-G135/80/5480	13-14
RZR-125/80/4921	4	RZR-135/80/5045	2	RZR-P135/80/5151	5	RZR-GG135/80/5277	9	RZR-135/80/5481	13-14
RZR-G125/80/5121	4	RZR-135/80/5046	2	RZR-135/80/5152	5	RZR-135/80/5278	9	RZR-135/80/5482	13-14
RZR-125/80/5350	11	RZR-P135/80/5049	2	RZR-135/80/5153	5	RZR-135/80/5279	9	RZR-135/80/5483	14
RZR-125/80/5351	11	RZR-135/80/5050	2	RZR-135/80/5154	5	RZR-135/80/5281	9	RZR-135/80/5484	14
RZR-125/80/5472	1	RZR-135/80/5051	2	RZR-135/80/5155	5	RZR-135/80/5283	9	RZR-135/80/5485	14
RZR-125/80/5476	1	RZR-135/80/5052	2	RZR-135/80/5156	5-21	RZR-135/80/5284	9	RZR-135/80/5627	7
RZR-125/80/7792	18	RZR-135/80/5053	2	RZR-P135/80/5157	5	RZR-135/80/5320	10	RZR-135/80/7300	21
RZR-125/80/7793	18	RZR-P135/80/5055	2	RZR-135/80/5180	6	RZR-135/80/5321	10	RZR-135/80/7301	21
RZR-125/80/7794	18	RZR-135/80/5080	3	RZR-135/80/5181	6	RZR-135/80/5322	10	RZR-135/80/7302	21
RZR-125/80/7795	18	RZR-135/80/5081	4	RZR-135/80/5182	6	RZR-G135/80/5322	10	RZR-135/80/7303	21
RZR-125/80/7796	18	RZR-135/80/5082	3	RZR-135/80/5186	6	RZR-135/80/5323	10	RZR-P135/80/7305	21
RZR-125/80/9911	4	RZR-135/80/5083	3	RZR-135/80/5188	6	RZR-135/80/5324	10	RZR-P135/80/7307	21
RZR-G132/80/5231	7	RZR-135/80/5084	3	RZR-135/80/5189	6	RZR-135/80/5325	10	RZR-135/80/7308	21
RZR-132/80/5282	9	RZR-135/80/5085	3	RZR-135/80/5190	6	RZR-135/80/5326	10	RZR-P135/80/7309	21
RZR-G132/80/5282	9	RZR-135/80/5088	26	RZR-P135/80/5190	6	RZR-135/80/5328	10	RZR-P135/80/7310	21
RZR-132/80/5383	13	RZR-135/80/5089	4	RZR-135/80/5191	6	RZR-135/80/5329	10	RZR-135/80/7311	21
RZR-G132/80/5386	13	RZR-135/80/5090	4	RZR-135/80/5192	6	RZR-135/80/5330	10	RZR-135/80/7312	21
RZR-G132/100/5526	7	RZR-135/80/5091	4	RZR-135/80/5193	6	RZR-135/80/5332	10	RZR-135/80/7315	21
RZR-132/100/5626	7	RZR-135/80/5096	3	RZR-135/80/5194	6	RZR-135/80/5334	10	RZR-P135/80/7317	21
RZR-132/100/5681	9	RZR-135/80/5097	3	RZR-P135/80/5195	6	RZR-135/80/5335	10	RZR-135/80/7320	21
RZR-G132/100/5682	9	RZR-135/80/5098	3	RZR-135/80/5220	7	RZR-135/80/5337	3-10	RZR-135/80/7321	21
RZR-132/100/5752	13	RZR-135/80/5099	3	RZR-135/80/5221	7	RZR-135/80/5371	13	RZR-135/80/7324	21
RZR-G132/100/5761	13	RZR-G135/80/5100	3	RZR-135/80/5223	7	RZR-135/80/5372	13	RZR-135/80/7325	21
RZR-G134/80/5230	7	RZR-135/80/5102	3	RZR-135/80/5224	7	RZR-135/80/5374	13	RZR-135/80/7327	21
RZR-G134/80/5274	9	RZR-135/80/5105	3	RZR-135/80/5226	7	RZR-135/80/5375	13	RZR-135/80/7328	21
RZR-G134/80/5385	13	RZR-135/80/5106	3	RZR-135/80/5227	7-24	RZR-135/80/5376	13	RZR-135/80/7329	21
RZR-G134/100/5525	7	RZR-135/80/5120	4	RZR-135/80/5228	7	RZR-135/80/5377	13	RZR-135/80/7330	21
RZR-134/100/5625	7	RZR-P135/80/5121	4	RZR-G135/80/5229	7	RZR-135/80/5378	13	RZR-135/80/7460	1
RZR-G134/100/5681	9	RZR-135/80/5123	4	RZR-135/80/5232	7	RZR-135/80/5379	13	RZR-135/80/7461	1
RZR-G134/100/5760	13	RZR-135/80/5124	4	RZR-135/80/5233	7	RZR-G135/80/5381	13	RZR-135/80/7770	18
RZR-P135/80/5007	1	RZR-135/80/5125	4	RZR-135/80/5234	7	RZR-G135/80/5384	13	RZR-135/80/7771	18
RZR-G135/80/5013	1	RZR-135/80/5126	4	RZR-135/80/5235	7	RZR-135/80/5388	13	RZR-135/80/7772	18
RZR-P135/80/5013	1	RZR-135/80/5140	5	RZR-135/80/5270	9	RZR-135/80/5472	14	RZR-135/80/7773	18
RZR-135/80/5018	1	RZR-135/80/5141	5	RZR-135/80/5271	9	RZR-135/80/5473	14	RZR-135/80/7774	18
RZR-135/80/5020	1	RZR-G135/80/5141	5	RZR-G135/80/5271	9	RZR-135/80/5474	14	RZR-135/80/7775	18
RZR-135/80/5021	1	RZR-135/80/5142	5	RZR-135/80/5272	9	RZR-135/80/5475	14	RZR-135/80/7776	18
RZR-135/80/5022	1	RZR-135/80/5144	5	RZR-135/80/5273	9	RZR-135/80/5477	14	RZR-135/80/7777	18
RZR-135/80/5039	2	RZR-135/80/5145	5	RZR-P135/80/5275	9	RZR-135/80/5478	14	RZR-135/80/7778	18
RZR-135/80/5040	2	RZR-P135/80/5146	5	RZR-P135/80/5276	9	RZR-135/80/5479	14	RZR-135/80/7779	18
RZR-135/80/5041	2	RZR-135/80/5148	5	RZR-135/80/5277	9	RZR-135/80/5480	13-14	RZR-135/80/7780	18

INDICE NUMERICO

Part. N.	Tav. N.	Part. N.	Tav. N.	Part. N.	Tav. N.	Part. N.	Tav. N.	Part. N.	Tav. N.
RZR-135/80/7781	18	RZR-135/100/5751	13						
RZR-P135/80/8322	26	RZR-G135/100/5754	13						
RZR-135/80/8323	26	RZR-135/100/5756	13						
RZR-135/80/8590	23	RZR-135/100/5757	13						
RZR-135/80/8591	23	RZR-135/100/5762	13						
RZR-135/80/8592	23	RZR-135/100/5763	13						
RZR-135/80/8593	23	RZR-P135/100/9420	25						
RZR-135/80/8594	23	RZR-BPE	24						
RZR-P135/80/8595	23	RZR-BT	25						
RZR-135/80/8596	23	RZR-GP	23						
RZR-G135/80/9414	24	RZR-L/10	23						
RZR-P135/80/9414	25	RZR-PEC	16-20						
RZR-135/100/5350	12	RZR-PICHER	26						
RZR-P135/100/5500	1	RZR-REF	21						
RZR-G135/100/5524	7	RZR-SM	20						
RZR-135/100/5540	3	RZR-TO	1						
RZR-135/100/5541	4	RZR-TR	18						
RZR-135/100/5542	3								
RZR-135/100/5543	3								
RZR-135/100/5570	4								
RZR-G135/100/5570	4								
RZR-P135/100/5571	4								
RZR-135/100/5623	7-25								
RZR-135/100/5624	7								
RZR-135/100/5628	7								
RZR-135/100/5660	8								
RZR-135/100/5680	9								
RZR-G135/100/5680	9								
RZR-135/100/5683	9								
RZR-135/100/5684	9								
RZR-135/100/5700	10								
RZR-135/100/5703	10-12								
RZR-135/100/5730	12								
RZR-135/100/5732	12								
RZR-P135/100/5733	12								
RZR-P135/100/5735	12								
RZR-135/100/5736	12								
RZR-135/100/5737	12								
RZR-135/100/5739	12								
RZR-G135/100/5739	13								
RZR-135/100/5750	13								



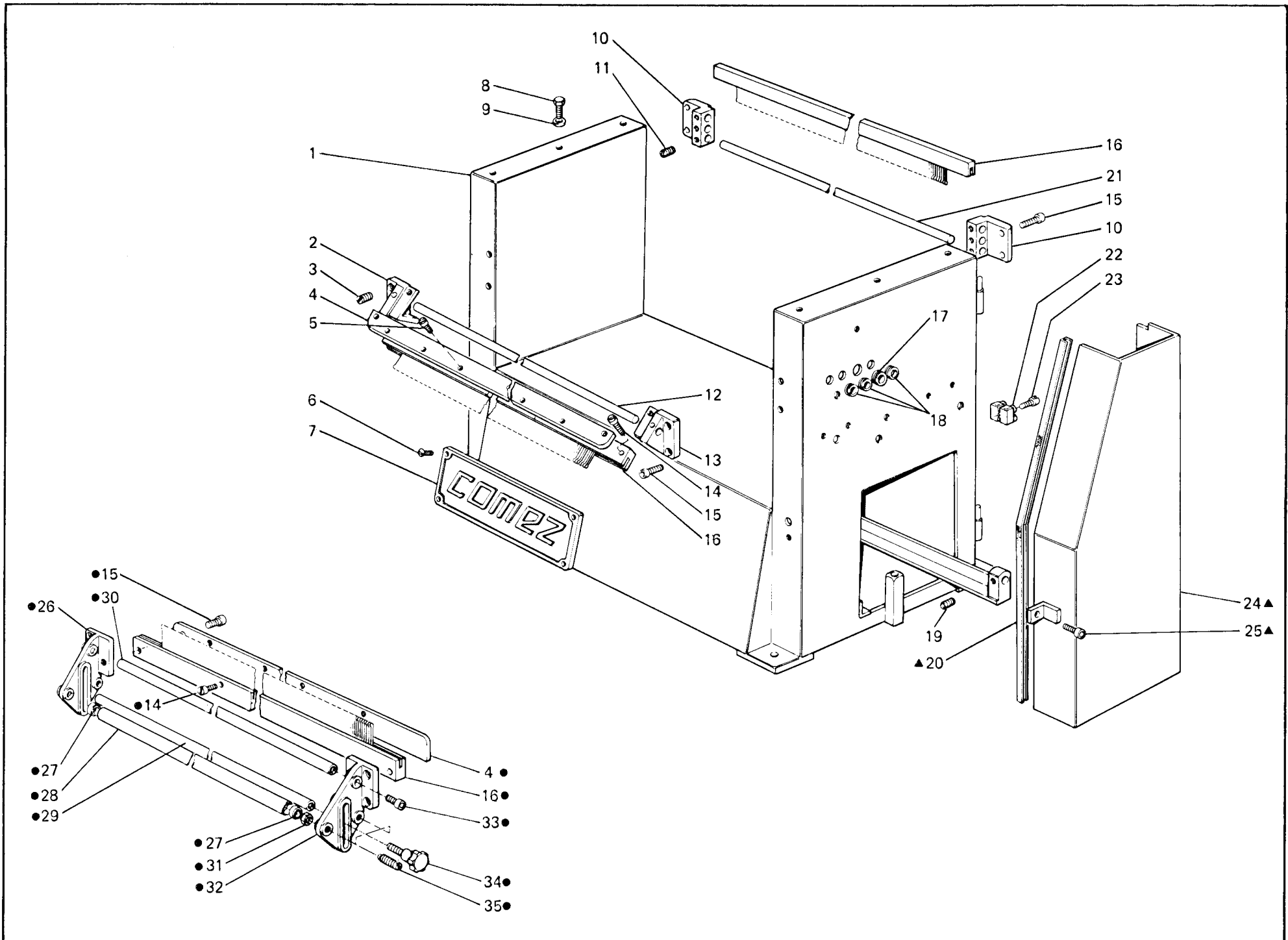


Fig. N. Abb. N.	Part. N. Bestell N. Piece N. Pieza N.	DESCRIZIONE	Fig. N. Abb. N.	Part. N. Bestell N. Piece N. Pieza N.	DESCRIZIONE
▲	RZR-G135/80/5013	carter trasmissione completo	31	RZR-51/L/10	dado
1	RZR-P135/80/5007	basamento (800)	32	RZR-135/80/7460	supporto tensionatore destro
1	RZR-P135/100/5500	basamento (1000)	33	RZR-2/D/16	vite
2	RZR-135/80/5022	supporto anteriore sinistro	34	RZR-015/60/7456	pomello
3	RZR-16/G/8	vite	35	RZR-015/60/7455	vite
4	RZR-015/100/520	asta porta pettine (1000)			
5	RZR-1/G/10	vite			
6	RZR-26/F/15	vite			
7	RZR-110/280/3554	targhetta "Comez"			
8	RZR-36/H/25	vite			
9	RZR-62/G/10	rondella			
10	RZR-135/80/5020	supporto pettine posteriore (800)			
11	RZR-16/G/6	vite			
12	RZR-015/80/363	asta pettine anteriore (800)			
13	RZR-135/80/5021	supporto anteriore destro			
14	RZR-1/G/10	vite			
15	RZR-2/C/14	vite			
16	RZR-015/80/395	pettine aperto fin. 15 (800)			
16	RZR-014/80/411	pettine aperto fin. 14 (800)			
16	RZR-012/80/490	pettine aperto fin. 12 (800)			
16	RZR-015/100/519	pettine aperto fin. 15 (1000)			
16	RZR-014/100/547	pettine aperto fin. 14 (1000)			
16	RZR-012/100/559	pettine aperto fin. 12 (1000)			
17	RZR-125/80/5476	passacavi			
18	RZR-015/80/4774	passacavi			
19	RZR-3/D/8	vite			
20	RZR-135/80/5018	guarnizione carter			
21	RZR-015/80/364	asta pettine posteriore (800)			
22	RZR-125/80/5472	morsetto			
23	RZR-1/E/5	vite			
24	RZR-P135/80/5013	carter trasmissione			
25	RZR-2/B/20	vite			
		<b>SOLO A RICHIESTA</b>			
●	RZR-TO	dispositivo tensionatore ordito completo fin. 15 (800)			
●	RZR-TO	dispositivo tensionatore ordito completo fin. 14 (800)			
●	RZR-TO	dispositivo tensionatore ordito completo fin. 12 (800)			
●	RZR-TO	dispositivo tensionatore ordito completo fin. 15 (1000)			
●	RZR-TO	dispositivo tensionatore ordito completo fin. 14 (1000)			
●	RZR-TO	dispositivo tensionatore ordito completo fin. 12 (1000)			
26	RZR-135/80/7461	supporto tensionatore sinistro			
27	RZR-4/A/8	cuscinetto			
28	RZR-015/80/7470	asta tensionatore (800)			
28	RZR-015/100/7480	asta tensionatore (1000)			
29	RZR-015/80/7472	asta mobile tensionatore (800)			
29	RZR-015/100/7482	asta mobile tensionatore (1000)			
30	RZR-015/80/7471	asta fissa tensionatore (800)			
30	RZR-015/100/7481	asta fissa tensionatore (1000)			

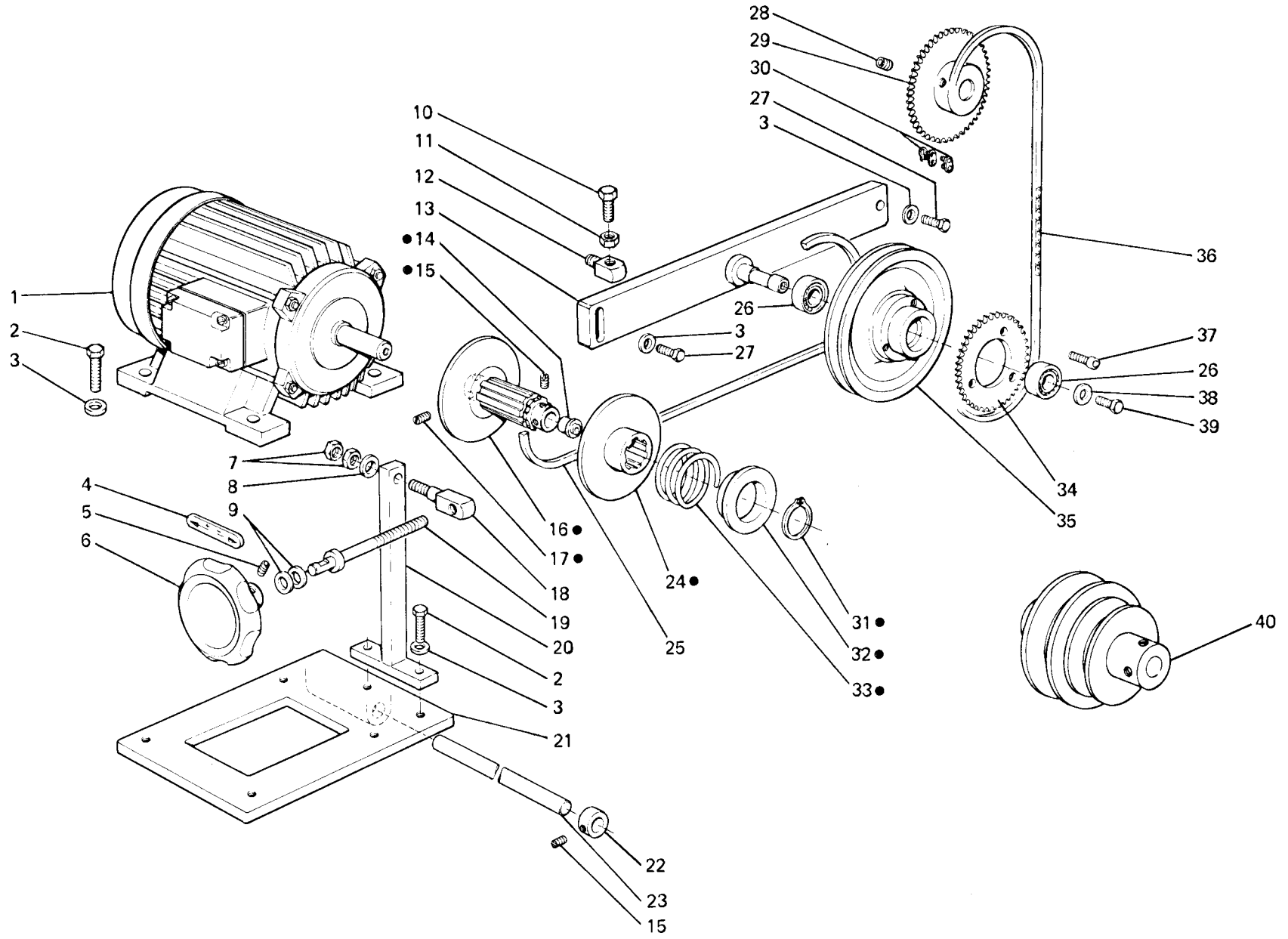


Fig. N. Abb. N.	Part. N. Bestell N. Piece N. Pieza N.	DESCRIZIONE	Fig. N. Abb. N.	Part. N. Bestell N. Piece N. Pieza N.	DESCRIZIONE
●	RZR-G015/60/333	puleggia variabile completa			
1	RZR-135/80/5039	motore 1 HP			
2	RZR-36/G/20	vite			
3	RZR-62/F/8	rondella			
4	RZR-015/60/052	targhetta			
5	RZR-3/D/6	vite			
6	RZR-135/80/5053	volantino			
7	RZR-51/L/10	dado			
8	RZR-62/G/10	rondella			
9	RZR-58/B/13	guarnizione			
10	RZR-36/F/50	vite			
11	RZR-51/G/6	dado			
12	RZR-082/150/2065	perno			
13	RZR-P135/80/5049	supporto			
14	RZR-P015/60/335	tappo con oliatore			
15	RZR-16/G/5	vite			
16	RZR-P015/60/332	flangia fissa			
17	RZR-16/G/6	vite			
18	RZR-015/60/021	spinotto			
19	RZR-P135/80/5055	alberino			
20	RZR-P135/80/5043	braccio			
21	RZR-135/80/5040	piastra			
22	RZR-082/150/2104	anello			
23	RZR-135/80/5041	perno			
24	RZR-015/60/333	flangia mobile			
25	RZR-015/60/074	cinghia di trasmissione Hz 50 (800)			
25	RZR-135/80/5045	cinghia di trasmissione Hz 60 (800) Hz 50 (1000)			
25	-	cinghia di trasmissione Hz 60 (1000)			
26	RZR-4/E/12	cuscinetto			
27	RZR-36/G/25	vite			
28	RZR-3/D/15	vite			
29	RZR-135/80/5051	ingranaggio condotto			
30	RZR-G035/60/846	giunzione catena			
31	RZR-7/F/28	anello di fermo			
32	RZR-015/60/036	fermo molla			
33	RZR-015/60/035	molla			
34	RZR-015/60/310	ingranaggio conduttore			
35	RZR-135/80/5046	puleggia motore 50 Hz (800)			
35	RZR-125/80/4802	puleggia motore 60 Hz (800) 50 Hz (1000)			
35	RZR-125/80/4803	puleggia motore 60 Hz (1000)			
36	RZR-135/80/5050	catena trasmissione			
37	RZR-2/C/14	vite			
38	RZR-60/E/6	rondella			
39	RZR-36/F/10	vite			
40	RZR-135/80/5052	<u>SOLO A RICHIESTA</u> puleggia fissa a 2 gole			

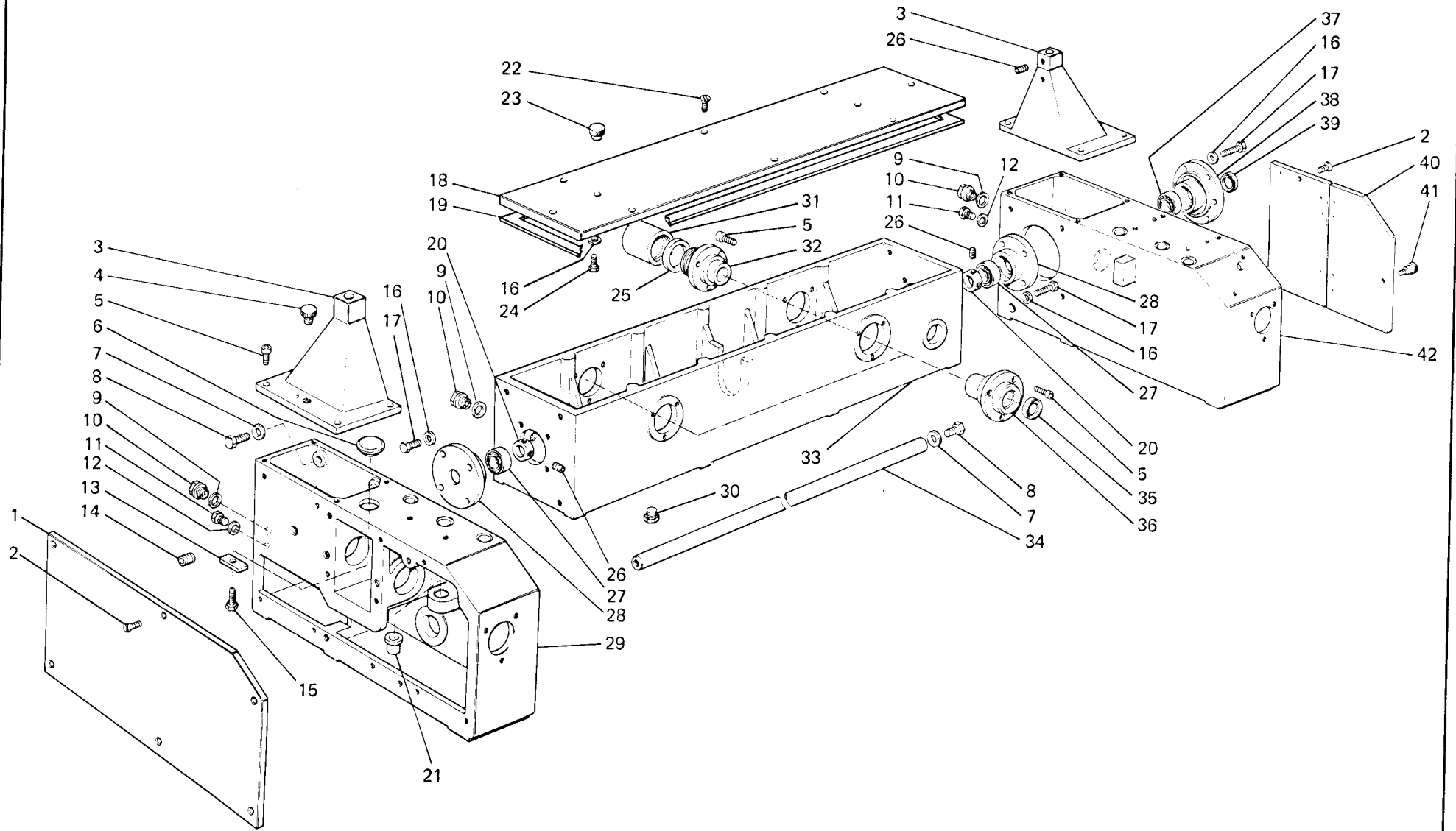


Fig. N. Abb. N.	Part. N. Bestell N. Piece N. Pieza N.	DESCRIZIONE	Fig. N. Abb. N.	Part. N. Bestell N. Piece N. Pieza N.	DESCRIZIONE
1	RZR-135/80/5096	carter cassetta sinistra			
2	RZR-26/F/10	vite			
3	RZR-135/80/5097	supporto castello			
4	RZR-015/60/138	tappo carico olio			
5	RZR-2/C/14	vite			
6	RZR-015/60/060	tappo cassetta sinistra			
7	RZR-62/F/8	rondella			
8	RZR-36/G/25	vite			
9	RZR-58/F/16	rondella speciale			
10	RZR-082/150/2020	livello otio			
11	RZR-015/60/139	tappo scarico olio			
12	RZR-125/80/4913	guarnizione			
13	RZR-015/60/322	staffa			
14	RZR-135/80/5102	tappo cassetta sinistra			
15	RZR-36/F/10	vite			
16	RZR-62/D/6	rondella			
17	RZR-36/F/20	vite			
18	RZR-135/80/5098	coperchio cassetta centrale (800)			
18	RZR-135/100/5542	coperchio cassetta centrale (1000)			
19	RZR-135/80/5099	guarnizione cassetta centrale (800)			
19	RZR-135/100/5543	guarnizione cassetta centrale (1000)			
20	RZR-082/150/2041	anello			
21	RZR-135/80/5106	bronzina			
22	RZR-26/H/10	vite			
23	RZR-015/60/247	pomello			
24	RZR-36/F/14	vite			
25	RZR-58/M/45	rondella speciale			
26	RZR-3/D/10	vite			
27	RZR-4/L/25	cuscinetto			
28	RZR-135/80/5082	copricuscinetto interno			
29	RZR-135/80/5085	cassetta sinistra			
30	RZR-015/60/086	tappo scarico olio			
31	RZR-015/80/4518	coperchio bussola posteriore			
32	RZR-015/80/4517	bussola posteriore			
33	RZR-135/80/5080	cassetta centrale (800)			
33	RZR-135/100/5540	cassetta centrale (1000)			
34	RZR-135/80/5337	asta rinvio tessuto (800)			
35	RZR-12/E/25	anello di tenuta			
36	RZR-015/80/4516	bussola anteriore			
37	RZR-4/H/20	cuscinetto			
38	RZR-135/80/5083	copricuscinetto esterno			
39	RZR-12/D/20	anello di tenuta			
40	RZR-G135/80/5100	carter cassetta destra			
41	RZR-135/80/5105	pomello carter			
42	RZR-135/80/5084	cassetta destra			

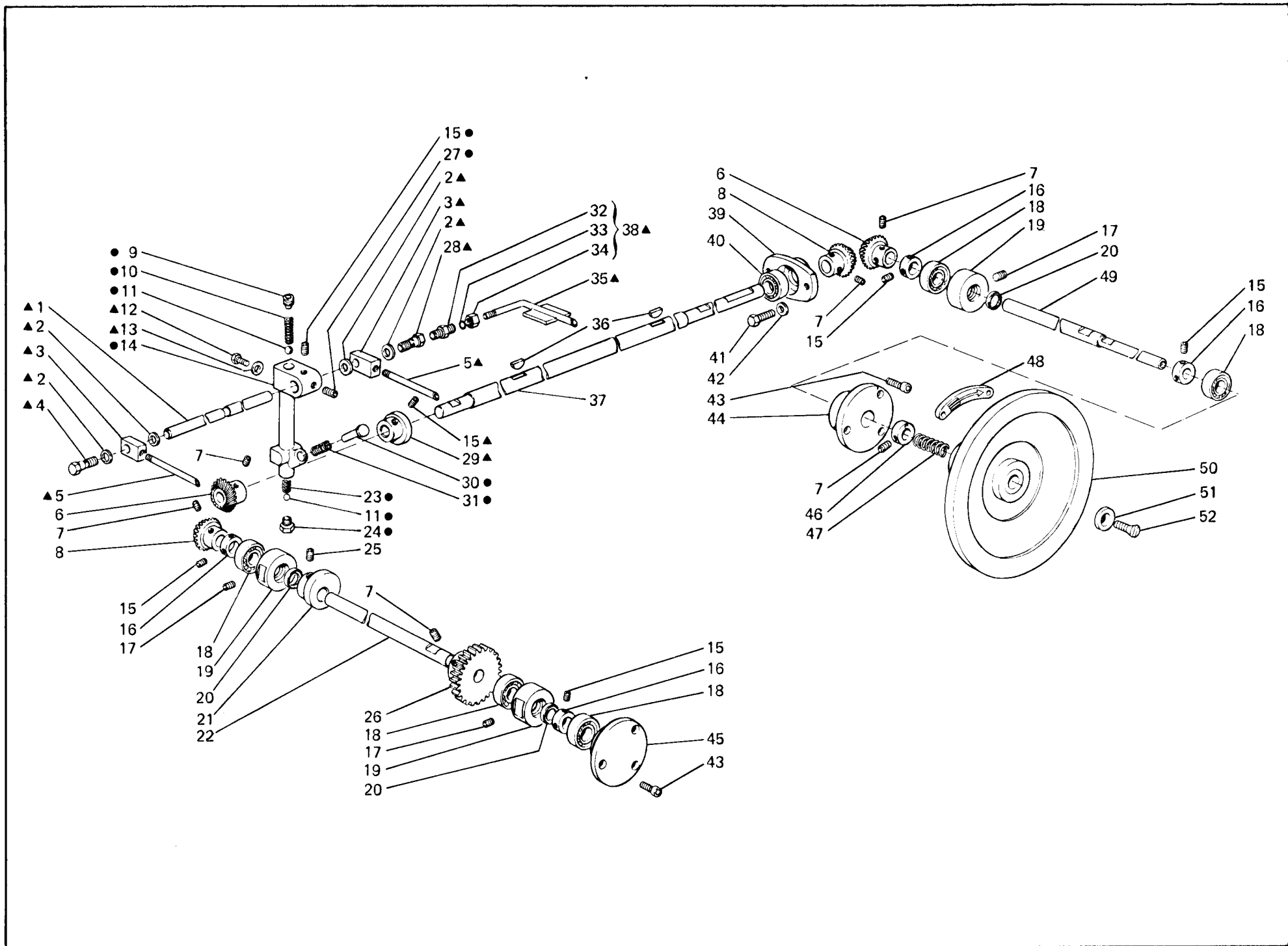


Fig. N. Abb. N.	Part. N. Bestell N. Piece N. Pieza N.	DESCRIZIONE	Fig. N. Abb. N.	Part. N. Bestell N. Piece N. Pieza N.	DESCRIZIONE
●▲	RZR-G125/80/4908	gruppo lubrificazione (800)	43	RZR-2/C/10	vite
●▲	RZR-G135/100/5570	gruppo lubrificazione (1000)	44	RZR-015/80/4528	copricuscinetto
●	RZR-G125/80/5121	pompetta completa	45	RZR-015/80/4529	copricuscinetto
1	RZR-125/80/4908	tubo distribuzione (800)	46	RZR-015/60/340	anello
1	RZR-135/100/5570	tubo distribuzione (1000)	47	RZR-015/60/343	molletta
2	RZR-125/80/4913	guarnizione	48	RZR-015/60/114	targhetta
3	RZR-125/80/4910	blocchetto distribuzione	49	RZR-135/80/5089	albero destro
4	RZR-125/80/4909	raccordo sinistro	50	RZR-P015/80/4525	volantino
5	RZR-125/80/9911	tubetto	51	RZR-60/B/5	rondella
6	RZR-015/80/4535	pignone conico sinistro	52	RZR-26/F/15	vite
7	RZR-3/E/10	vite			
8	RZR-015/80/4534	pignone conico destro			
9	RZR-125/80/4912	tappo superiore			
10	RZR-135/80/5125	molla			
11	RZR-125/80/4907	sfera			
12	RZR-36/F/20	vite			
13	RZR-62/D/6	rondella			
14	RZR-P135/80/5121	corpo pompetta			
15	RZR-3/D/8	vite			
16	RZR-015/60/271	anello			
17	RZR-3/D/15	vite			
18	RZR-4/H/20	cuscinetto			
19	RZR-135/80/5091	porta cuscinetto			
20	RZR-12/D/20	anello di tenuta			
21	RZR-015/60/8000	camme alimentatore			
22	RZR-135/80/5090	albero sinistro			
23	RZR-125/80/4914	molla			
24	RZR-135/80/5126	raccordo pescaggio			
25	RZR-3/E/8	vite			
26	RZR-015/60/7703	ingranaggio conduttore			
27	RZR-125/80/4915	vite			
28	RZR-125/80/4916	raccordo destro			
29	RZR-135/80/5120	camme pompetta			
30	RZR-135/80/5123	pistone pompetta			
31	RZR-135/80/5124	molla			
32	RZR-125/80/4919	nipplo			
33	RZR-125/80/4920	anello di tenuta			
34	RZR-125/80/4921	dado per raccordo			
35	RZR-P125/80/4917	tubetto (800)			
35	RZR-P135/100/5571	tubetto (1000)			
36	RZR-9/B/25	chiavetta			
37	RZR-135/80/5081	albero centrale (800)			
37	RZR-135/100/5541	albero centrale (1000)			
38	RZR-G125/80/4919	nipplo completo			
39	RZR-015/60/083	supporto cuscinetto			
40	RZR-4/L/25	cuscinetto			
41	RZR-36/G/20	vite			
42	RZR-62/F/8	rondella			



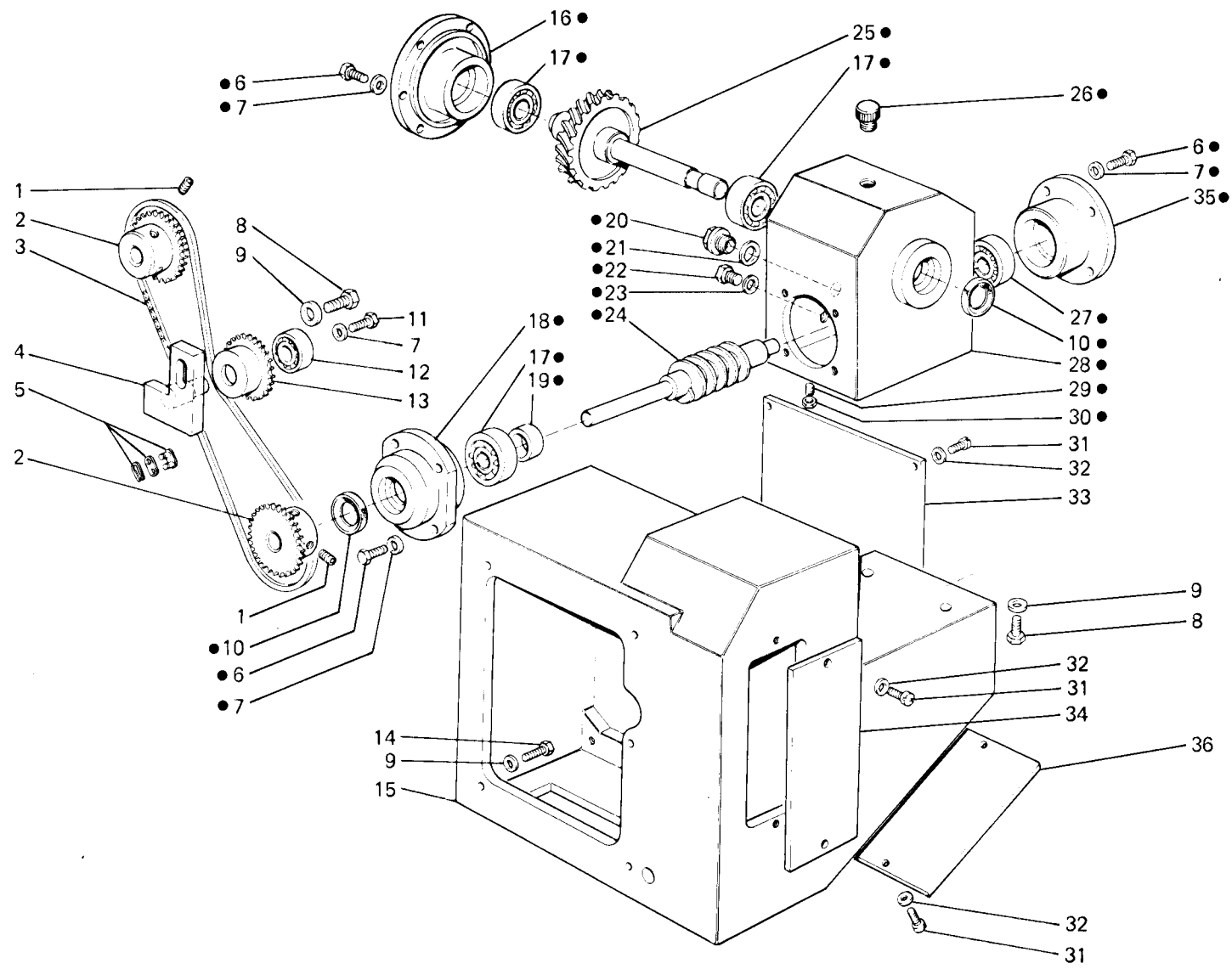


Fig. N. Abb. N.	Part. N. Bestell N. Piece N. Pieza N.	DESCRIZIONE	Fig. N. Abb. N.	Part. N. Bestell N. Piece N. Pieza N.	DESCRIZIONE
●	RZR-G135/80/5141	riduttore completo			
1	RZR-3/E/10	vite			
2	RZR-135/80/5149	ingranaggio			
3	RZR-135/80/5155	catena trasmissione			
4	RZR-P135/80/5151	supporto			
5	RZR-G035/60/846	giunzione catena			
6	RZR-36/F/15	vite			
7	RZR-62/D/6	rondella			
8	RZR-36/G/25	vite			
9	RZR-62/F/8	rondella			
10	RZR-12/D/20	anello di tenuta			
11	RZR-36/F/10	vite			
12	RZR-4/D/10	cuscinetto			
13	RZR-135/80/5156	ingranaggio			
14	RZR-36/G/20	vite			
15	RZR-135/80/5140	supporto riduttore			
16	RZR-135/80/5142	copricuscinetto laterale			
17	RZR-4/H/20	cuscinetto			
18	RZR-135/80/5145	copricuscinetto anteriore			
19	RZR-135/80/5148	distanziale			
20	RZR-082/150/2020	livello olio			
21	RZR-58/F/16	rondella			
22	RZR-015/60/139	tappo scarico			
23	RZR-125/80/4913	guarnizione			
24	RZR-P135/80/5157	vite senza fine			
25	RZR-P135/80/5146	ingranaggio			
26	RZR-015/60/138	tappo rifornimento			
27	RZR-4/G/15	cuscinetto			
28	RZR-135/80/5141	scatola riduttore			
29	RZR-16/F/12	vite			
30	RZR-51/F/5	dado			
31	RZR-1/G/10	vite			
32	RZR-62/C/5	rondella			
33	RZR-135/80/5152	carter trasmissione			
34	RZR-135/80/5153	carter galoppino			
35	RZR-135/80/5144	copricuscinetto posteriore			
36	RZR-135/80/5154	carter inferiore			

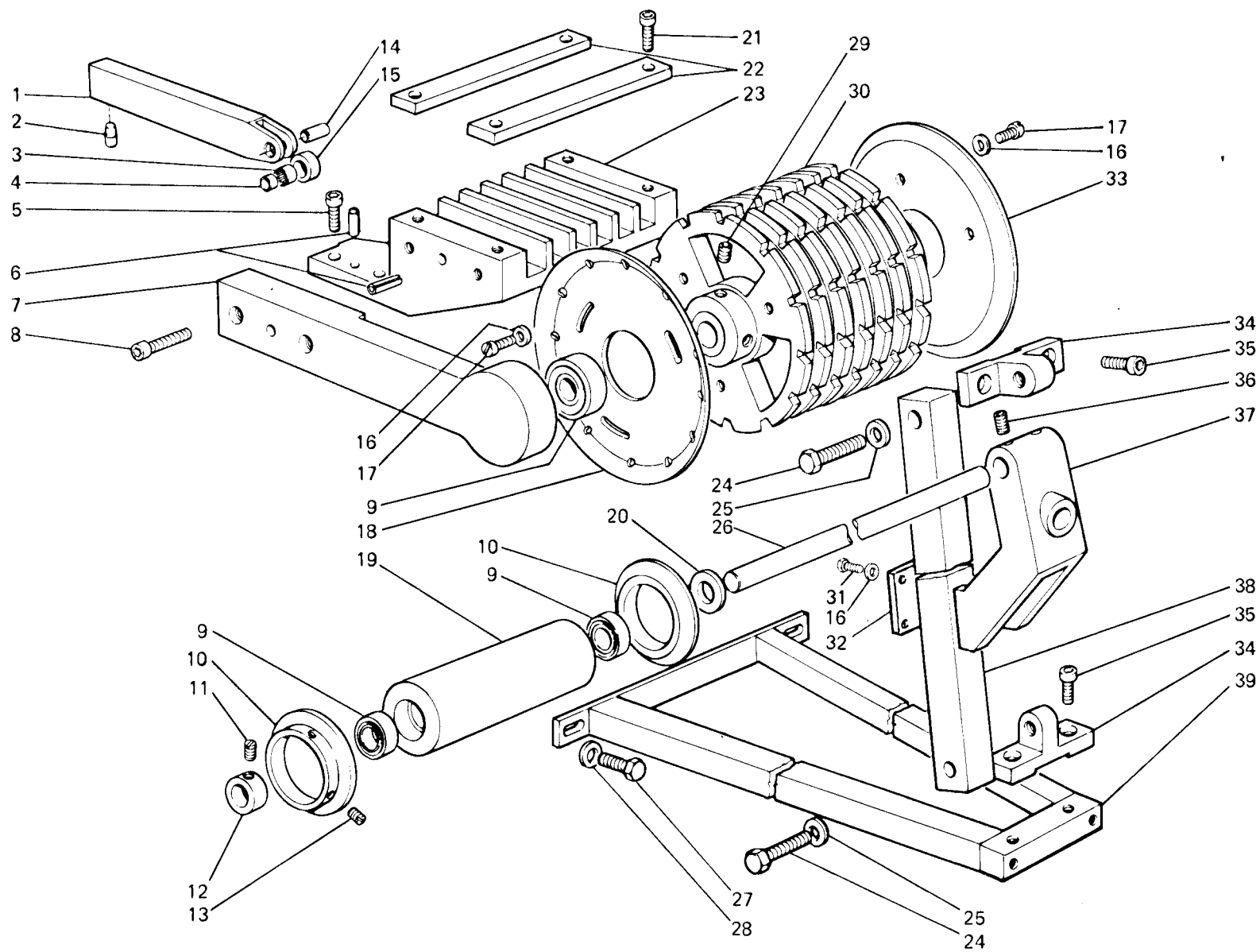


Fig. N. Abb. N.	Part. N. Bestell N. Piece N. Pieza N.	DESCRIZIONE	Fig. N. Abb. N.	Part. N. Bestell N. Piece N. Pieza N.	DESCRIZIONE
1	RZR-015/80/4605	asta scorrevole			
2	RZR-015/60/057	pernetto arresto			
3	RZR-32/E/12	cuscinetto a rullini			
4	RZR-015/60/285	anello interno			
5	RZR-2/D/30	vite			
6	RZR-20/E/30	spina elastica			
7	RZR-135/80/5181	supporto			
8	RZR-2/D/25	vite			
9	RZR-4/H/20	cuscinetto			
10	RZR-135/80/5190	flangia			
11	RZR-16/G/5	vite			
12	RZR-015/60/271	anello			
13	RZR-16/G/10	vite			
14	RZR-015/60/146	perno			
15	RZR-015/80/4604	rullo cuscinetto			
16	RZR-62/D/6	rondella			
17	RZR-1/H/10	vite			
18	RZR-015/60/321	flangia sinistra			
19	RZR-P135/80/5190	cilindro			
20	RZR-135/80/5191	anello			
21	RZR-2/C/10	vite			
22	RZR-135/80/5188	piastra			
23	RZR-135/80/5180	supporto (800)			
24	RZR-36/H/50	vite			
25	RZR-62/G/10	rondella			
26	RZR-135/80/5189	perno			
27	RZR-36/G/20	vite			
28	RZR-62/F/8	rondella			
29	RZR-3/E/15	vite			
30	RZR-135/80/5182	tamburo glider (800)			
31	RZR-36/F/15	vite			
32	RZR-135/80/5186	staffa			
33	RZR-015/60/320	flangia destra			
34	RZR-135/80/5193	attacco per asta			
35	RZR-2/D/16	vite			
36	RZR-16/G/8	vite			
37	RZR-135/80/5192	supporto			
38	RZR-135/80/5194	asta			
39	RZR-P135/80/5195	sostegno			

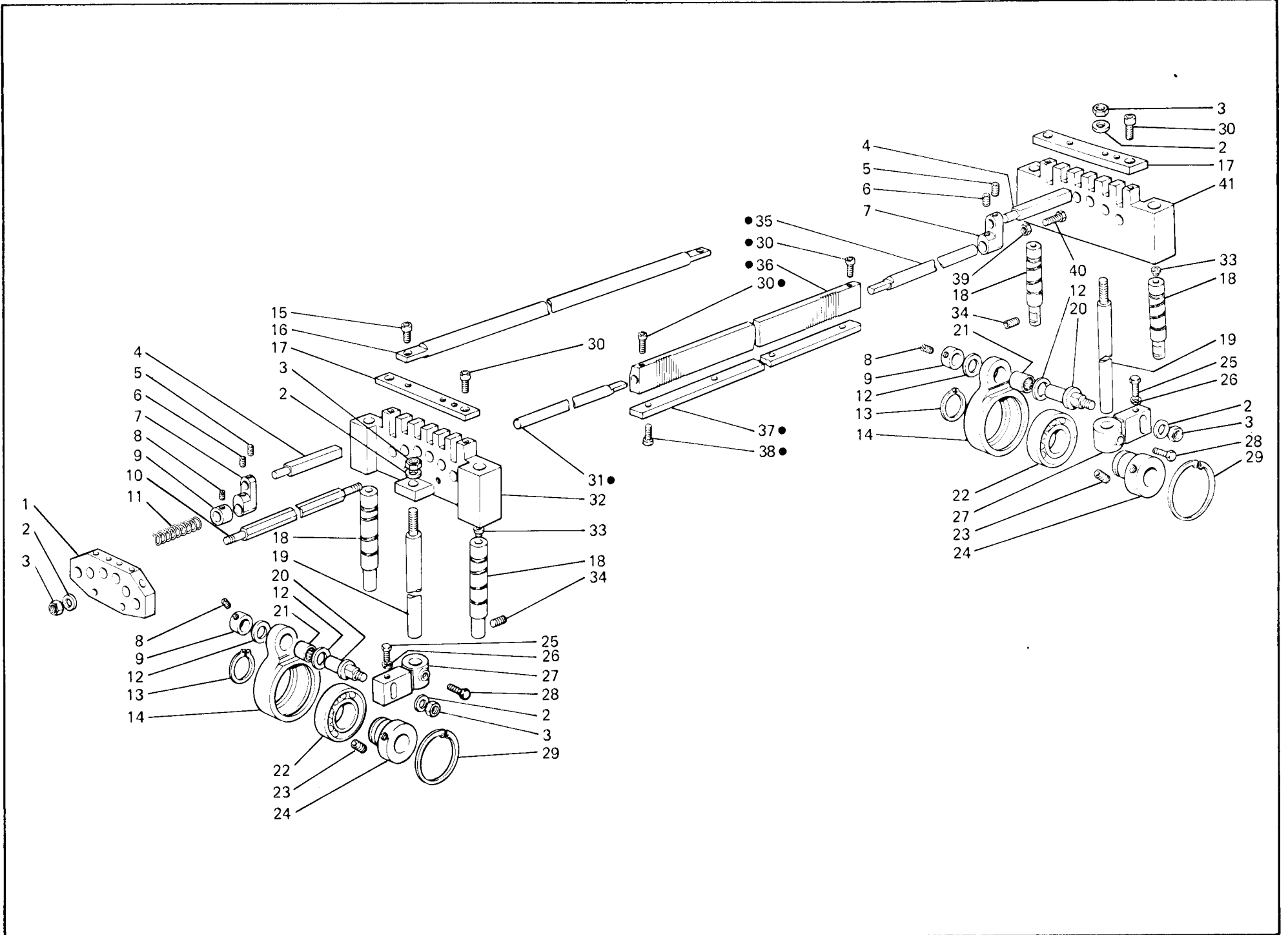


Fig. N. Abb. N.	Part. N. Bestell N. Piece N. Pieza N.	DESCRIZIONE	Fig. N. Abb. N.	Part. N. Bestell N. Piece N. Pieza N.	DESCRIZIONE
●	RZR-G135/80/5229	barra completa fin. 15 (800)	36	RZR-134/100/5625	barra tubetti fin. 14 (1000)
●	RZR-G134/80/5230	barra completa fin. 14 (800)	36	RZR-132/100/5626	barra tubetti fin. 12 (1000)
●	RZR-G132/80/5231	barra completa fin. 12 (800)	37	RZR-135/80/5627	rinforzo barra tubetti (1000)
●	RZR-G135/100/5524	barra completa fin. 15 (1000)	38	RZR-2/A/10	vite
●	RZR-G134/100/5525	barra completa fin. 14 (1000)	39	RZR-51/G/6	dado
●	RZR-G132/100/5526	barra completa fin. 12 (1000)	40	RZR-36/R/25	vite
1	RZR-135/80/5226	piastra	41	RZR-135/80/5223	piastra portabarre destra
2	RZR-62/F/8	rondella			
3	RZR-51/H/8	dado			
4	RZR-015/60/188	spina			
5	RZR-3/D/6	vite			
6	RZR-3/D/8	vite			
7	RZR-015/60/187	supportino			
8	RZR-16/F/4	vite			
9	RZR-015/60/010	anello			
10	RZR-125/80/4868	perno			
11	RZR-015/60/190	molla			
12	RZR-125/80/4864	rondella di rasamento			
13	RZR-7/H/30	anello di fermo			
14	RZR-135/80/5228	biella			
15	RZR-2/B/12	vite (800)			
15	RZR-2/B/15	vite (1000)			
16	RZR-135/80/5234	asta rinvio fili (800)			
16	RZR-135/100/5628	asta rinvio fili (1000)			
17	RZR-135/80/5235	blocchetto collegamento			
18	RZR-135/80/5232	colonna guida piastre			
19	RZR-135/80/5221	perno			
20	RZR-125/80/4863	perno			
21	RZR-31/D/12	cuscinetto a rullini			
22	RZR-4/Q/30	cuscinetto			
23	RZR-3/E/15	vite			
24	RZR-135/80/5233	eccentrico			
25	RZR-36/E/20	vite			
26	RZR-51/F/5	dado			
27	RZR-135/80/5220	supporto			
28	RZR-36/G/20	vite			
29	RZR-18/R/55	anello di fermo			
30	RZR-2/B/10	vite			
31	RZR-125/80/4866	perno lungo			
32	RZR-135/80/5224	piastra portabarre sinistra			
33	RZR-015/60/037	oliatore a sfera			
34	RZR-3/D/10	vite			
35	RZR-135/80/5227	perno corto (800)			
35	RZR-135/100/5623	perno corto (1000)			
36	RZR-015/80/360	barra tubetti fin. 15 (800)			
36	RZR-014/80/400	barra tubetti fin. 14 (800)			
36	RZR-012/80/480	barra tubetti fin. 12 (800)			
36	RZR-135/100/5624	barra tubetti fin. 15 (1000)			

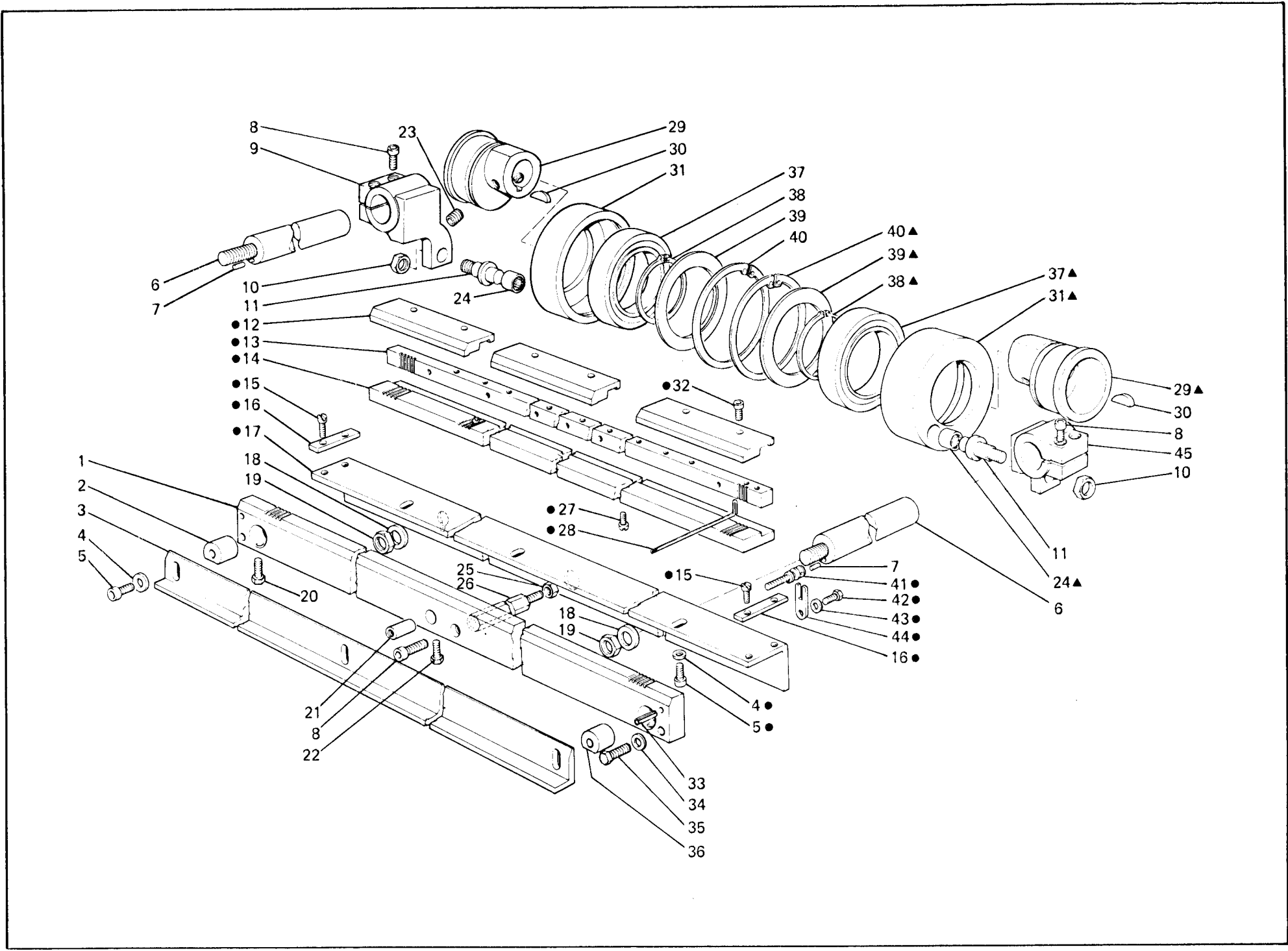


Fig. N. Abb. N.	Part. N. Bestell N. Piece N. Pieza N.	DESCRIZIONE	Fig. N. Abb. N.	Part. N. Bestell N. Piece N. Pieza N.	DESCRIZIONE
●	RZR-G015/80/367	frontura posteriore completa fin. 15 (800)	24	RZR-31/D/12	cuscinetto a rullini
●	RZR-G014/80/402	frontura posteriore completa fin. 14 (800)	25	RZR-51/H/8	dado
●	RZR-G012/80/482	frontura posteriore completa fin. 12 (800)	26	RZR-135/100/5660	sostegno centrale (1000)
●	RZR-G015/100/502	frontura posteriore completa fin. 15 (1000)	27	RZR-1/G/14	vite
●	RZR-G014/100/542	frontura posteriore completa fin. 14 (1000)	28	RZR-125/80/4832	ago a becco
●	RZR-G012/100/552	frontura posteriore completa fin. 12 (1000)	29	RZR-125/80/4830	corpo eccentrico
▲	RZR-G125/80/4830	eccentrico frontura completo	30	RZR-9/B/25	chiavetta
1	RZR-015/80/375	frontura anteriore fin. 15 (800)	31	RZR-125/80/4831	biella per eccentrico
1	RZR-014/80/404	frontura anteriore fin. 14 (800)	32	RZR-2/M/14	vite
1	RZR-012/80/484	frontura anteriore fin. 12 (800)	33	RZR-20/D/30	spina elastica
1	RZR-015/100/504	frontura anteriore fin. 15 (1000)	34	RZR-62/F/8	rondella
1	RZR-014/100/543	frontura anteriore fin. 14 (1000)	35	RZR-36/G/40	vite
1	RZR-012/100/554	frontura anteriore fin. 12 (1000)	36	RZR-015/60/405	perno regolazione
2	RZR-015/60/105	perno regolazione	37	RZR-5/N/55	cuscinetto
3	RZR-015/80/366	angolare ferma lavoro (800)	38	RZR-7/R/55	anello di fermo
3	RZR-040/100/1064	angolare ferma lavoro (1000)	39	RZR-60/T/70	rondella
4	RZR-62/D/6	rondella	40	RZR-18/S/100	anello di fermo
5	RZR-2/C/14	vite	41	RZR-015/60/100	vite di regolazione
6	RZR-015/60/094	pistone cassetta centrale	42	RZR-36/E/10	vite
7	RZR-015/60/080	spina	43	RZR-62/C/5	rondella
8	RZR-2/D/25	vite	44	RZR-015/60/099	piastrina
9	RZR-015/60/093	supporto sinistro	45	RZR-015/60/092	supporto destro
10	RZR-59/C/10	dado			
11	RZR-015/60/090	perno			
12	RZR-015/60/102	placca fissa aghi fin. 15			
12	RZR-014/60/423	placca fissa aghi fin. 14			
12	RZR-012/60/453	placca fissa aghi fin. 12			
13	RZR-015/80/4560	barretta ferma aghi fin. 15 (800)			
13	RZR-014/80/4561	barretta ferma aghi fin. 14 (800)			
13	RZR-012/80/4562	barretta ferma aghi fin. 12 (800)			
13	RZR-015/100/4563	barretta ferma aghi fin. 15 (1000)			
13	RZR-014/100/4564	barretta ferma aghi fin. 14 (1000)			
13	RZR-012/100/4565	barretta ferma aghi fin. 12 (1000)			
14	RZR-015/80/367	frontura posteriore fin. 15 (800)			
14	RZR-014/80/402	frontura posteriore fin. 14 (800)			
14	RZR-012/80/482	frontura posteriore fin. 12 (800)			
14	RZR-015/100/502	frontura posteriore fin. 15 (1000)			
14	RZR-014/100/542	frontura posteriore fin. 14 (1000)			
14	RZR-012/100/552	frontura posteriore fin. 12 (1000)			
15	RZR-1/D/7	vite			
16	RZR-015/60/140	piastrina			
17	RZR-015/80/369	angolare porta barra (800)			
17	RZR-040/100/1060	angolare porta barra (1000)			
18	RZR-60/L/12	rondella			
19	RZR-59/E/12	dado			
20	RZR-36/F/20	vite			
21	RZR-015/80/396	perno centrale			
22	RZR-36/F/25	vite			
23	RZR-3/E/10	vite			



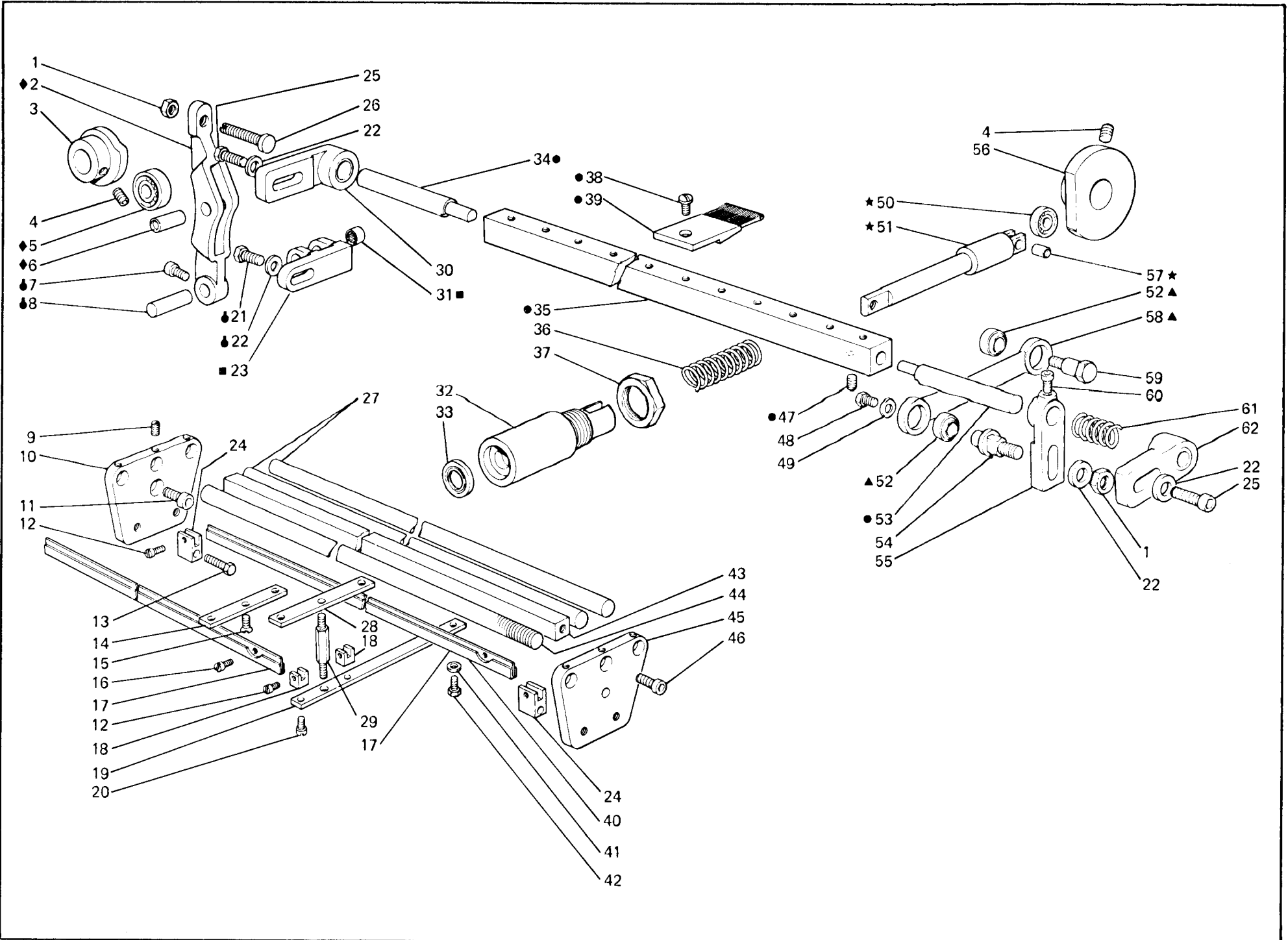


Fig. N. Abb. N.	Part. N. Bestell N. Piece N. Pieza N.	DESCRIZIONE	Fig. N Abb. N	Part. N. Bestell N. Piece N. Pieza N.	DESCRIZIONE
◆◆◆	RZR-GG135/80/5277	gruppo supporto leva barra passette	35	RZR-132/80/5282	barra passette fin. 12 (800)
◆	RZR-G135/80/5277	leva barra passette completa	35	RZR-135/100/5680	barra passette fin. 15-14 (1000)
■	RZR-G015/80/4580	supporto leva barra passette completa	35	RZR-132/100/5682	barra passette fin. 12 (1000)
★	RZR-G015/80/4584	pistone canotto completo	36	RZR-015/60/069	molla
▲	RZR-G015/60/263	braccio rotazione completo	37	RZR-015/60/156	ghiera
●	RZR-G135/80/5271	barra passette completa fin. 15 (800)	38	RZR-41/B/7	vite
●	RZR-G134/80/5274	barra passette completa fin. 14 (800)	39	RZR-P015/60/171	blocco passette fin. 15
●	RZR-G132/80/5282	barra passette completa fin. 12 (800)	39	RZR-P014/60/427	blocco passette fin. 14
●	RZR-G135/100/5680	barra passette completa fin. 15 (1000)	39	RZR-P012/60/457	blocco passette fin. 12
●	RZR-G134/100/5681	barra passette completa fin. 14 (1000)	40	RZR-G015/80/382	comando arresto automatico inferiore (800)
●	RZR-G132/100/5682	barra passette completa fin. 12 (1000)	40	RZR-G040/100/1048	comando arresto automatico inferiore (1000)
1	RZR-51/H/8	dado	41	RZR-62/D/6	rondella
2	RZR-135/80/5277	leva barra passette	42	RZR-36/F/10	vite
3	RZR-135/80/5279	camme	43	RZR-015/100/511	piatto divisione fili (1000)
4	RZR-3/E/8	vite	44	RZR-015/80/361	vite divisione fili fin. 15-14 (800)
5	RZR-4/E/12	cuscinetto	44	RZR-012/80/481	vite divisione fili fin. 12 (800)
6	RZR-135/80/5278	perno	44	RZR-015/100/501	vite divisione fili fin. 15-14 (1000)
7	RZR-2/B/10	vite	44	RZR-012/100/551	vite divisione fili fin. 12 (1000)
8	RZR-015/60/174	perno	45	RZR-135/80/5284	piastra destra (800)
9	RZR-16/G/8	vite	45	RZR-135/100/5684	piastra destra (1000)
10	RZR-135/80/5283	piastra sinistra (800)	46	RZR-2/D/20	vite
10	RZR-135/100/5683	piastra sinistra (1000)	47	RZR-3/D/8	vite
11	RZR-2/D/16	vite	48	RZR-36/E/10	vite
12	RZR-1/E/5	vite	49	RZR-14/B/5	rondella
13	RZR-36/F/25	vite	50	RZR-4/D/10	cuscinetto
14	RZR-015/80/394	piastrina (800)	51	RZR-015/80/4584	pistone
15	RZR-26/F/10	vite	52	RZR-015/60/165	boccola
16	RZR-1/D/5	vite	53	RZR-135/80/5272	perno destro
17	RZR-G015/80/413	comando arresto automatico inferiore (800)	54	RZR-015/60/169	perno per leva rotazione
17	RZR-G040/100/1030	comando arresto automatico inferiore (1000)	55	RZR-135/80/5270	leva rotazione
18	RZR-040/100/1020	cavallotto centrale	56	RZR-125/80/4840	camme
19	RZR-015/100/525	piattina (1000)	57	RZR-015/60/125	perno
20	RZR-1/E/8	vite	58	RZR-015/60/263	braccio rotazione
21	RZR-36/G/30	vite	59	RZR-40/C/8	perno a vite
22	RZR-62/F/8	rondella	60	RZR-2/D/10	vite
23	RZR-015/80/4580	supporto per leva	61	RZR-135/80/5281	molla
24	RZR-015/60/264	cavallotto	62	RZR-P135/80/5276	supporto destro
25	RZR-36/G/25	vite			
26	RZR-015/60/176	vite di registrazione			
27	RZR-015/80/362	asta divisione fili (800)			
27	RZR-040/100/1016	asta divisione fili (1000)			
28	RZR-040/100/1017	piattina di collegamento			
29	RZR-040/100/1019	perno filettato			
30	RZR-P135/80/5275	supporto sinistro			
31	RZR-31/C/10	cuscinetto a rullini			
32	RZR-015/80/4583	canotto			
33	RZR-12/B/16	anello di tenuta			
34	RZR-135/80/5273	perno sinistro			
35	RZR-135/80/5271	barra passette fin. 15-14 (800)			

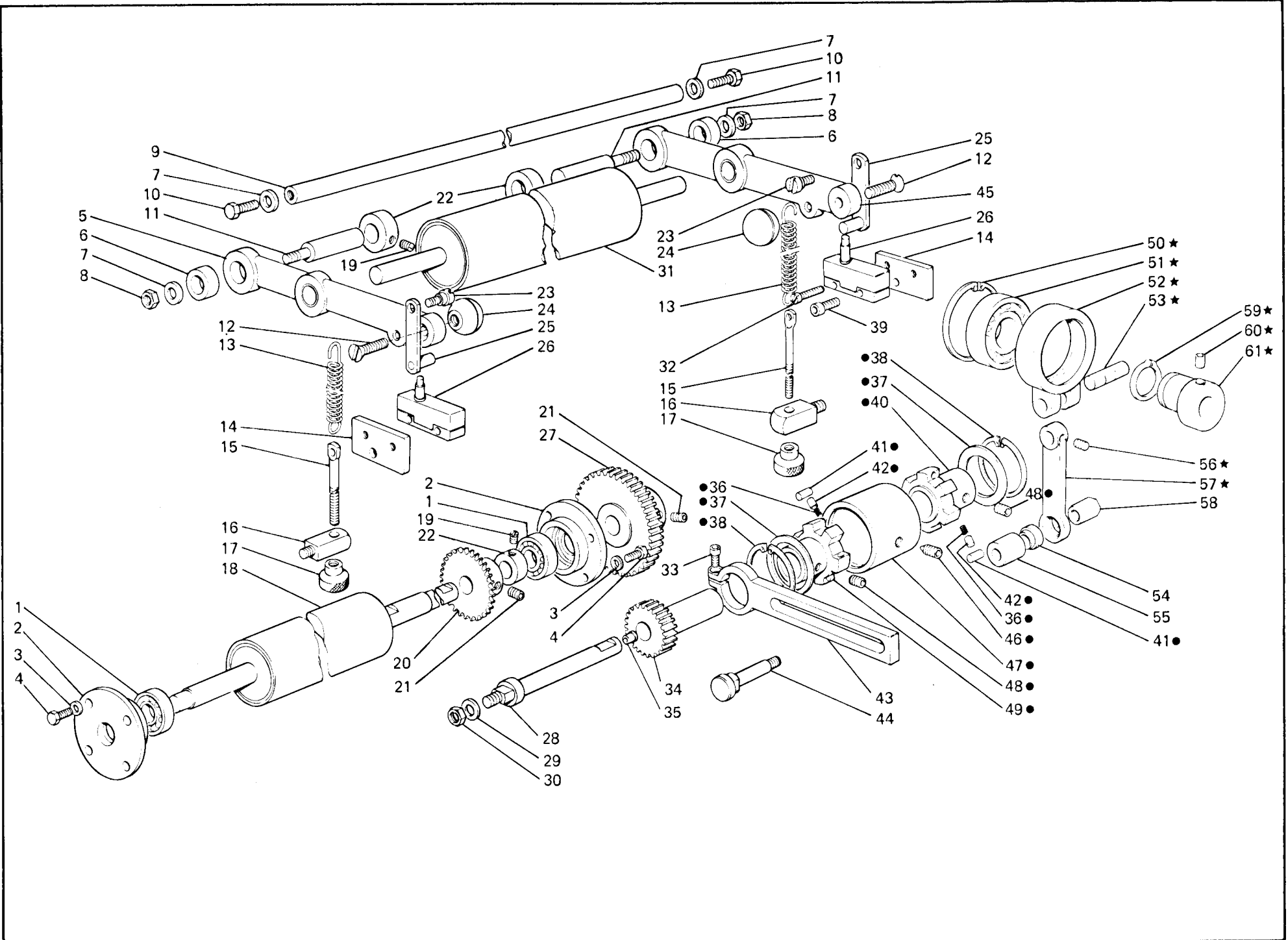


Fig. N. Abb. N.	Part. N. Bestell N. Piece N. Pieza N.	DESCRIZIONE	Fig. N. Abb. N.	Part. N. Bestell N. Piece N. Pieza N.	DESCRIZIONE
★	RZR-G135/80/5322	braccio di biella completo	45	RZR-P015/60/241	leva destra
●	RZR-G015/80/4639	scatto tiraggio completo	46	RZR-21/D/15	vite
1	RZR-4/F/15	cuscinetto	47	RZR-015/80/4639	boccola
2	RZR-135/80/5330	copricuscinetto	48	RZR-3/D/8	vite
3	RZR-62/D/6	rondella	49	RZR-P015/80/4636	interno mobile per scatto
4	RZR-36/F/15	vite	50	RZR-18/R/55	anello di fermo
5	RZR-P015/60/067	leva sinistra	51	RZR-4/Q/30	cuscinetto
6	RZR-015/60/243	distanziale	52	RZR-135/80/5321	biella
7	RZR-62/F/8	rondella	53	RZR-015/60/174	perno
8	RZR-51/H/8	dado	54	RZR-015/60/165	boccola
9	RZR-135/80/5337	asta rinvio tessuto (800)	55	RZR-135/80/5325	bussola distanziale
10	RZR-36/G/25	vite	56	RZR-16/F/6	vite
11	RZR-135/80/5334	perno	57	RZR-135/80/5322	braccio
12	RZR-26/L/25	vite	58	RZR-135/80/5323	dado
13	RZR-015/60/230	molla	59	RZR-7/H/30	anello di fermo
14	RZR-015/60/8689	piastrina	60	RZR-3/E/10	vite
15	RZR-015/60/248	tenditore	61	RZR-135/80/5320	corpo eccentrico
16	RZR-135/80/5335	sostegno			
17	RZR-015/60/247	pomello			
18	RZR-135/80/5332	rullo inferiore (800)			
18	RZR-135/100/5700	rullo inferiore (1000)			
19	RZR-1/G/6	vite			
20	RZR-015/60/7829	ingranaggio conduttore (800)			
20	RZR-135/100/5703	ingranaggio conduttore (1000)			
21	RZR-3/D/10	vite			
22	RZR-015/60/245	anello			
23	RZR-13/B/10	perno a vite			
24	RZR-015/60/249	pomolo			
25	RZR-P015/60/244	levetta			
26	RZR-015/60/8688	microcontatto			
27	RZR-135/80/5329	ingranaggio			
28	RZR-135/80/5328	perno centrale			
29	RZR-62/G/10	rondella			
30	RZR-51/L/10	dado			
31	RZR-P015/80/398	rullo superiore (800)			
31	RZR-P040/100/1042	rullo superiore (1000)			
32	RZR-1/E/25	vite			
33	RZR-2/C/25	vite			
34	RZR-P015/80/4633	pignone			
35	RZR-015/60/037	oliatore a sfera			
36	RZR-015/60/047	molletta			
37	RZR-60/S/30	anello			
38	RZR-18/P/50	anello di fermo			
39	RZR-2/B/10	vite			
40	RZR-015/80/4635	interno fisso per scatto			
41	RZR-015/80/4638	rullino			
42	RZR-015/60/046	capsula			
43	RZR-135/80/5326	leva			
44	RZR-135/80/5324	perno			

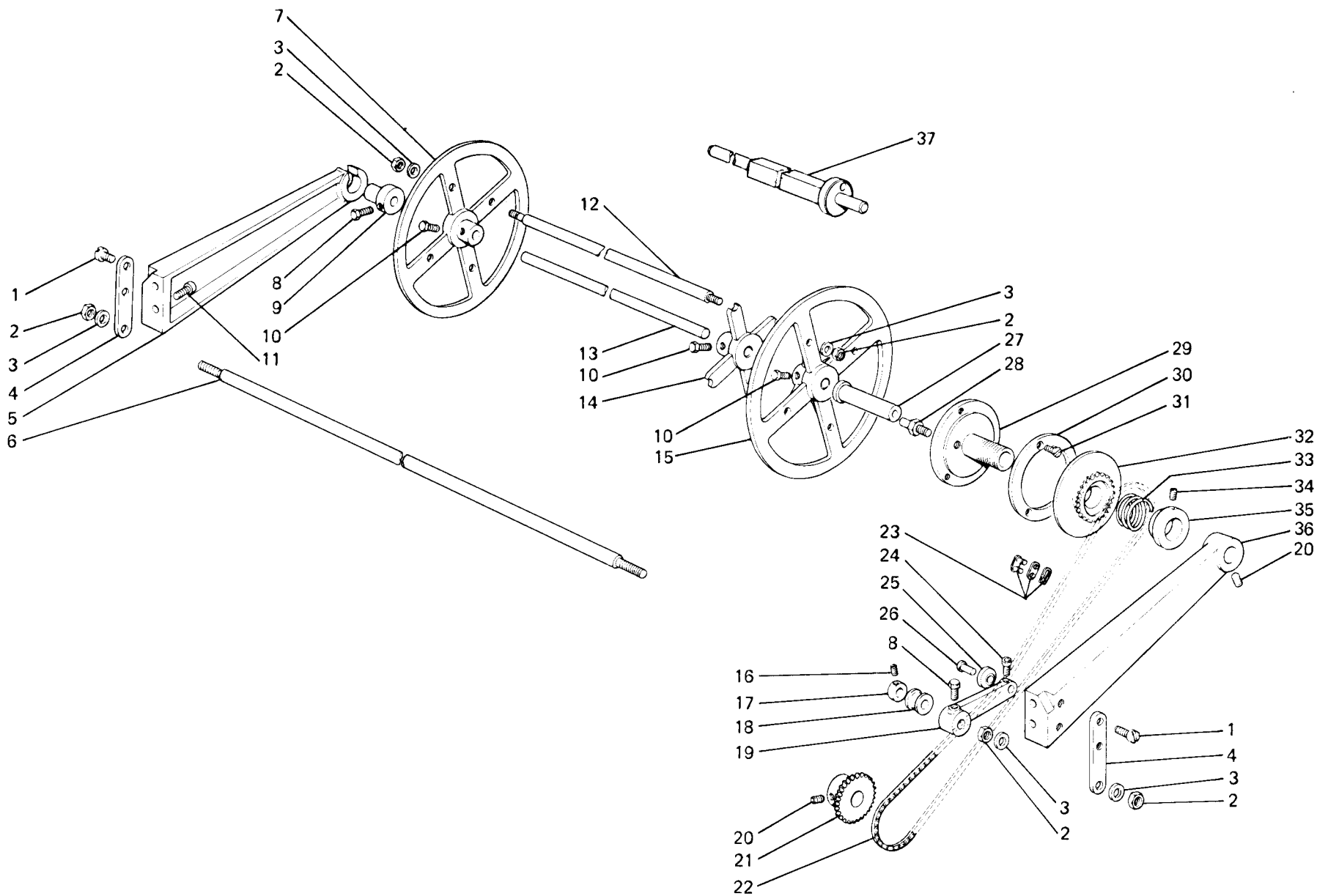


Fig. N. Abb. N.	Part. N. Bestell N. Piece N. Pieza N.	DESCRIZIONE	Fig. N. Abb. N.	Part. N. Bestell N. Piece N. Pieza N.	DESCRIZIONE
—	RZR-G015/80/374	aspo raccoglitore completo (escluso fig. 37) (800)			
1	RZR-1/G/10	vite (800)			
2	RZR-51/H/8	dado (800)			
3	RZR-62/F/8	rondella (800)			
4	RZR-015/60/210	piastrina (800)			
5	RZR-015/60/234	supporto sinistro (800)			
6	RZR-015/80/370	asta (800)			
7	RZR-015/60/279	flangia sinistra (800)			
8	RZR-36/G/20	vite (800)			
9	RZR-015/60/212	bussola (800)			
10	RZR-36/F/10	vite (800)			
11	RZR-2/D/20	vite (800)			
12	RZR-015/80/373	asta (800)			
13	RZR-015/80/374	asta centrale (800)			
14	RZR-015/60/278	flangia centrale (800)			
15	RZR-015/60/280	flangia destra (800)			
16	RZR-16/G/6	vite (800)			
17	RZR-015/60/211	anello (800)			
18	RZR-016/60/214	galoppino (800)			
19	RZR-125/80/5350	supporto (800)			
20	RZR-3/D/10	vite (800)			
21	RZR-015/60/7829	ingranaggio conduttore (800)			
22	RZR-125/80/5351	catena (800)			
23	RZR-G035/60/846	giunzione catena (800)			
24	RZR-2/B/10	vite (800)			
25	RZR-015/60/9507	rullino tendicatena (800)			
26	RZR-015/60/9518	pernetto (800)			
27	RZR-G015/60/217	perno frizione (800)			
28	RZR-015/60/223	perno trascinatore (800)			
29	RZR-015/60/302	flangia frizione (800)			
30	RZR-015/60/304	anello frizione (800)			
31	RZR-26/F/10	vite (800)			
32	RZR-P082/150/2379	ingranaggio (800)			
33	RZR-015/60/277	molla (800)			
34	RZR-16/G/10	vite (800)			
35	RZR-015/60/222	anello regolazione frizione (800)			
36	RZR-015/60/235	supporto destro (800)			
		<u>SOLO A RICHIESTA</u>			
37	RZR-P015/80/391	asta (800)			

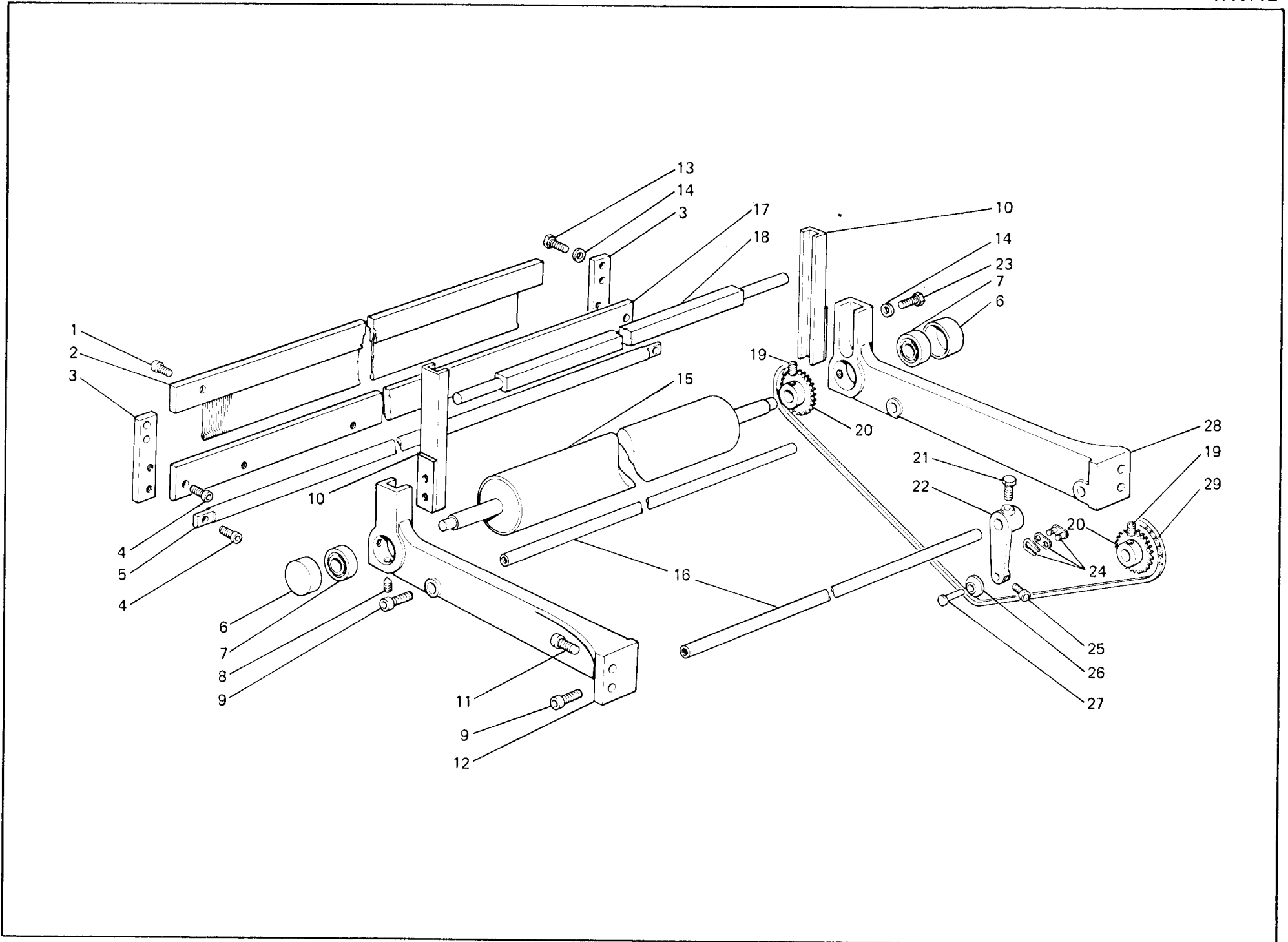


Fig. N. Abb. N.	Part. N. Bestell N. Piec N. Pieza N.	DESCRIZIONE	Fig. N. Abb. N.	Part. N. Bestell N. Piec N. Pieza N.	DESCRIZIONE
1	RZR-1/G/10	vite (1000)			
2	RZR-015/100/519	pettine posteriore fin. 15 (1000)			
2	RZR-014/100/547	pettine posteriore fin. 14 (1000)			
2	RZR-012/100/559	pettine posteriore fin. 12 (1000)			
3	RZR-135/100/5736	piastrina (1000)			
4	RZR-2/C/14	vite (1000)			
5	RZR-135/100/5737	asta rinvio (1000)			
6	RZR-015/60/120	bussola (1000)			
7	RZR-4/F/15	cuscinetto (1000)			
8	RZR-22/F/8	vite (1000)			
9	RZR-2/C/25	vite (1000)			
10	RZR-P135/100/5733	profilato (1000)			
11	RZR-2/D/20	vite (1000)			
12	RZR-015/60/330	supporto sinistro (1000)			
13	RZR-36/F/15	vite (1000)			
14	RZR-62/D/6	rondella (1000)			
15	RZR-P040/100/1043	rullo inferiore (1000)			
16	RZR-135/100/5732	asta (1000)			
17	RZR-135/100/5739	asta porta pettine (1000)			
18	RZR-P135/100/5735	asta avvolgipezza (1000)			
19	RZR-3/D/10	vite (1000)			
20	RZR-135/100/5703	ingranaggio conduttore (1000)			
21	RZR-36/G/20	vite (1000)			
22	RZR-135/100/5350	supporto (1000)			
23	RZR-36/F/20	vite (1000)			
24	RZR-G035/60/846	giunzione catena (1000)			
25	RZR-2/B/10	vite (1000)			
26	RZR-015/60/9507	rullino (1000)			
27	RZR-015/60/9518	pernetto (1000)			
28	RZR-015/60/331	supporto destro (1000)			
29	RZR-135/100/5730	catena (1000)			



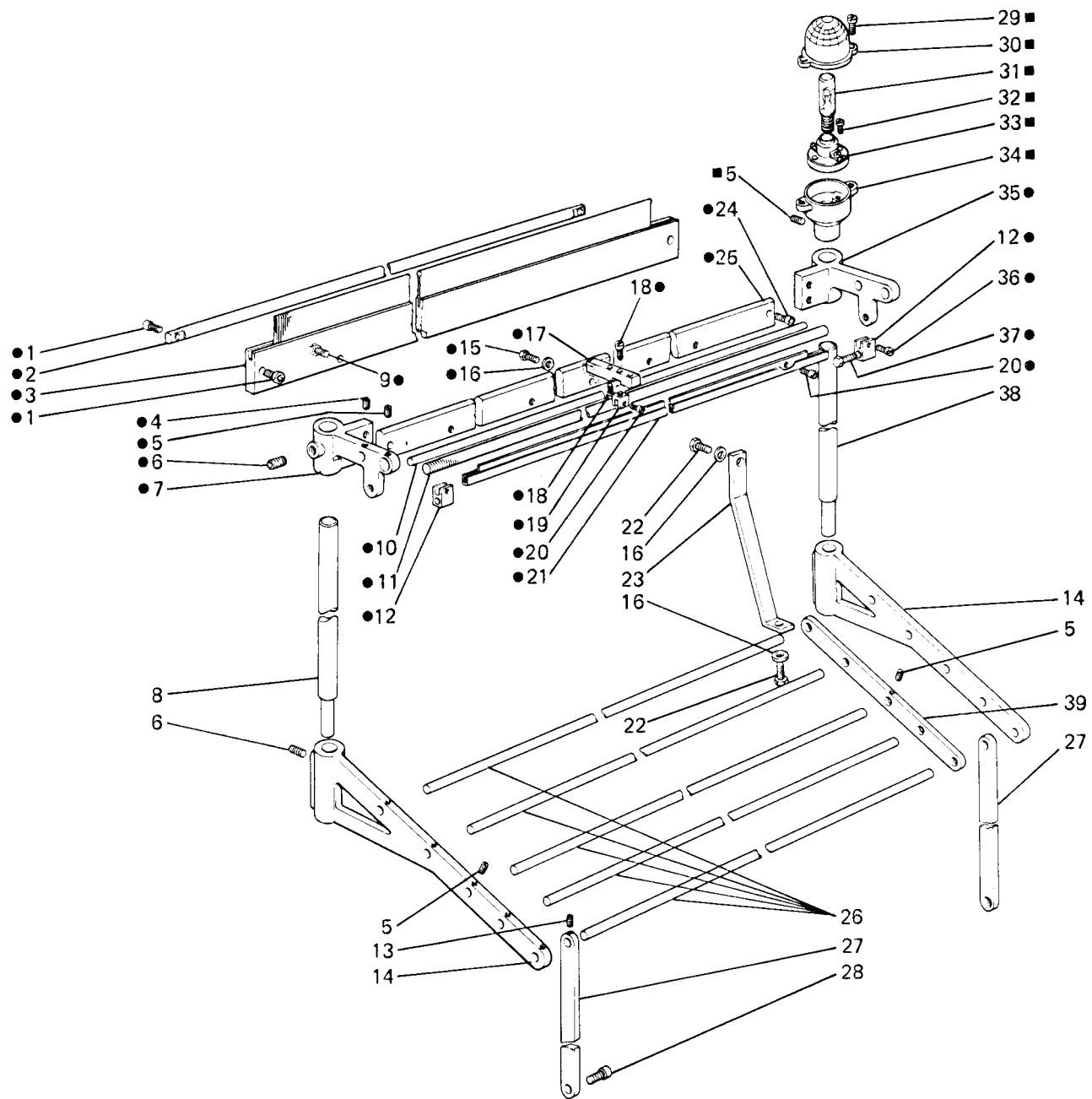


Fig. N. Abb. N.	Part. N. Bestell N. Piece N. Pieza N.	DESCRIZIONE	Fig. N. Abb. N.	Part. N. Bestell N. Piece N. Pieza N.	DESCRIZIONE
■	RZR-G135/80/5480	lampada spia completa	30	RZR-135/80/5482	calotta
●	RZR-G135/80/5384	pettine per trama completo fin. 15 (800)	31	RZR-015/60/8681	lampada
●	RZR-G134/80/5385	pettine per trama completo fin. 14 (800)	32	RZR-1/C/10	vite
●	RZR-G132/80/5386	pettine per trama completo fin. 12 (800)	33	RZR-135/80/5481	porta lampada
●	RZR-G135/100/5739	pettine per trama completo fin. 15 (1000)	34	RZR-135/80/5480	corpp porta lampada
●	RZR-G134/100/5760	pettine per trama completo fin. 14 (1000)	35	RZR-135/80/5375	supporto destro
●	RZR-G132/100/5761	pettine per trama completo fin. 12 (1000)	36	RZR-1/E/5	vite
1	RZR-2/B/12	vite	37	RZR-36/F/25	vite
2	RZR-135/80/5377	asta rinvio fili (800)	38	RZR-135/80/5371	piantana destra
3	RZR-015/80/395	pettine aperto fin. 15 (800)	39	RZR-135/100/5756	supporto centrale
3	RZR-014/80/411	pettine aperto fin. 14 (800)			
3	RZR-012/80/490	pettine aperto fin. 12 (800)			
3	RZR-015/100/519	pettine aperto fin. 15 (1000)			
3	RZR-014/100/547	pettine aperto fin. 14 (1000)			
3	RZR-012/100/559	pettine aperto fin. 12 (1000)			
4	RZR-16/G/8	vite			
5	RZR-16/G/6	vite			
6	RZR-3/D/10	vite			
7	RZR-135/80/5374	supporto sinistro			
8	RZR-135/80/5372	piantana sinistra			
9	RZR-1/G/10	vite			
10	RZR-135/80/5379	asta per pettine superiore (800)			
10	RZR-135/100/5763	asta per pettine superiore (1000)			
11	RZR-135/80/5378	vite divisione fili fin. 15-14 (800)			
11	RZR-132/80/5383	vite divisione fili fin. 12 (800)			
11	RZR-135/100/5751	vite divisione fili fin. 15-14 (1000)			
11	RZR-132/100/5752	vite divisione fili fin. 12 (1000)			
12	RZR-015/60/264	cavallotto			
13	RZR-16/F/6	vite			
14	RZR-135/80/5376	supporto per aste (800)			
14	RZR-135/100/5750	supporto per aste (1000)			
15	RZR-36/F/20	vite			
16	RZR-62/D/6	rondella			
17	RZR-015/100/524	blocchetto			
18	RZR-1/E/15	vite			
19	RZR-040/100/1020	cavallotto centrale			
20	RZR-1/D/5	vite			
21	RZR-G135/80/5381	comando per arresto (800)			
21	RZR-G135/100/5754	comando per arresto (1000)			
22	RZR-36/F/15	vite			
23	RZR-135/100/5757	piattina di supporto			
24	RZR-2/B/15	vite			
25	RZR-015/100/521	asta porta pettine			
26	RZR-015/80/380	asta divisione fili (800)			
26	RZR-040/100/1004	asta divisione fili (1000)			
27	RZR-135/80/5388	asta di rinforzo (800)			
27	RZR-135/100/5762	asta di rinforzo (1000)			
28	RZR-2/C/25	vite			
29	RZR-1/E/10	vite			

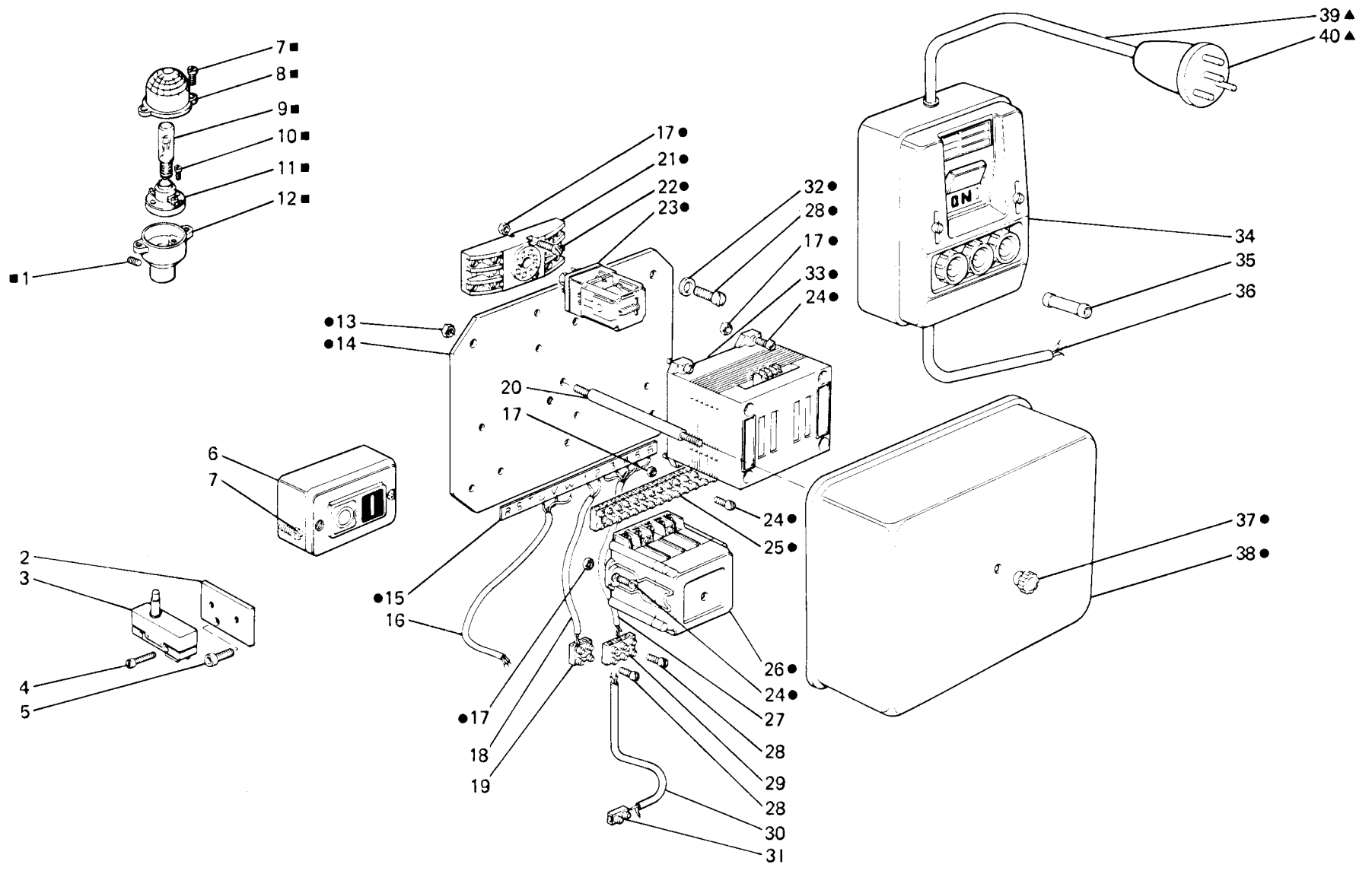
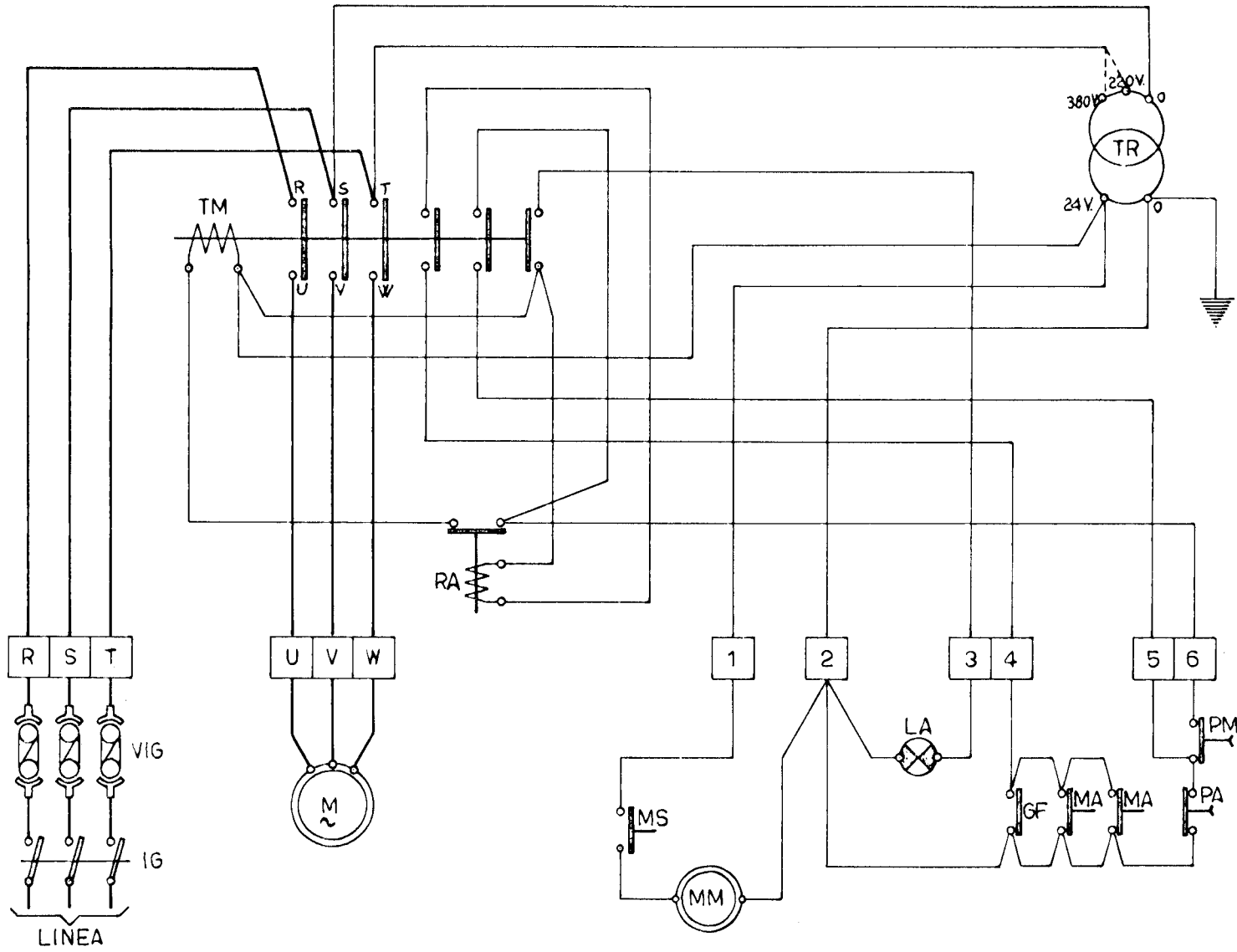


Fig. N. Abb. N.	Part. N. Bestell N. Pieza N. Pieza N.	DESCRIZIONE	Fig. N. Abb. N.	Part. N. Bestell N. Pieza N. Pieza N.	DESCRIZIONE
●	RZR-G015/80/4770	scatola elettrica completa			
■	RZR-G135/80/5480	lampada spia completa			
▲	RZR-G015/60/145	cavo completo di spina			
1	RZR-16/G/6	vite			
2	RZR-015/60/8689	piastrina			
3	RZR-015/60/8688	microcontatto			
4	RZR-1/E/25	vite			
5	RZR-2/B/15	vite			
6	RZR-015/60/158	pulsante marcia-arresto			
7	RZR-1/E/10	vite			
8	RZR-135/80/5482	calotta			
9	RZR-015/60/8681	lampada spia			
10	RZR-1/C/10	vite			
11	RZR-135/80/5481	porta lampada			
12	RZR-135/80/5480	corpo portalam-pada			
13	RZR-51/F/5	dado			
14	RZR-P015/80/4770	piastra scatola elettrica			
15	RZR-015/60/240	piastrina basetta			
16	RZR-135/80/5478	cavo elettrico collegamento motore			
17	RZR-51/B/3	dado			
18	RZR-135/80/5473	cavo elettrico collegamento sollevatore			
19	RZR-135/80/5472	morsetto			
20	RZR-015/80/4771	perno fissaggio coperchio			
21	RZR-015/80/4773	zoccolo relé			
22	RZR-1/C/20	vite			
23	RZR-015/60/182	relé			
24	RZR-1/C/15	vite			
25	RZR-015/60/196	basetta			
26	RZR-015/60/195	teleruttore			
27	RZR-135/80/5479	cavo elettrico collegamento pulsante			
28	RZR-1/E/15	vite			
29	RZR-135/80/5483	morsetto			
30	RZR-135/80/5485	cavo elettrico collegamento lampada			
31	RZR-135/80/5484	morsetto			
32	RZR-62/A/4	rondella			
33	RZR-015/80/4772	trasformatore			
34	RZR-135/80/5474	interruttore generale			
35	RZR-135/80/5475	valvola interruttore			
36	RZR-135/80/5477	cavo elettrico collegamento interruttore			
37	RZR-015/60/068	ghiera			
38	RZR-015/60/164	coperchio scatola			
39	RZR-015/60/145	cavo alimentazione			
40	RZR-015/60/200	spina trifase			



RIF.	DESCRIZIONE
GF	Arresti guardiafilii
IG	Interruttore generale
LA	Lampada spia arresto macchina
M	Motore
MA	Microinterruttori di arresto sui rulli del tiraggio
MM	Motore monofase per sollevatore automatico
MS	Microinterruttore per sollevatore automatico
PA	Pulsante arresto
PM	Pulsante marcia
RA	Relé arresti
TM	Teleruttore motore
TR	Trasformatore
VIG	Valvole interruttore generale

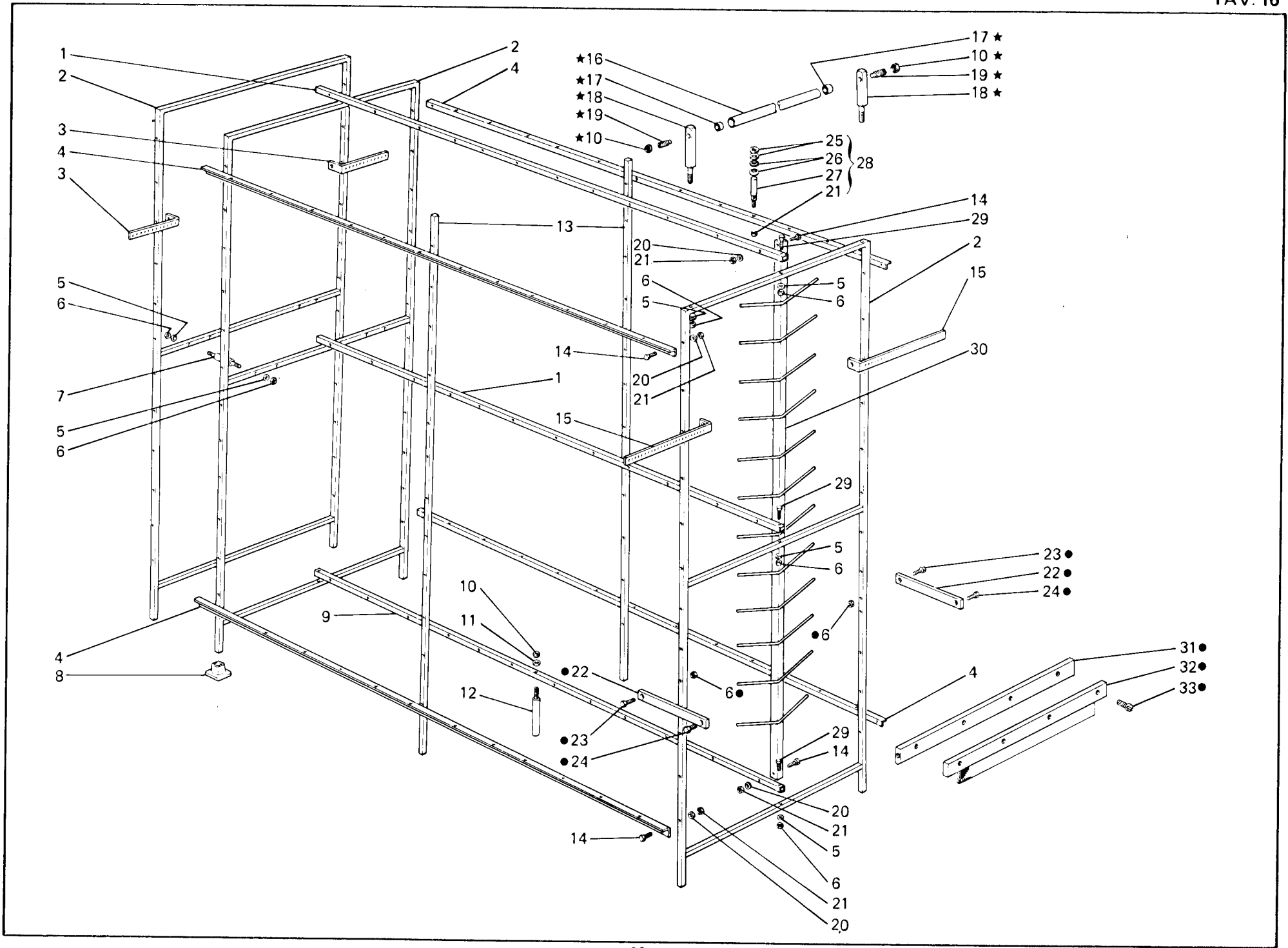


Fig. N. Abb. N.	Part. N. Bestell N. Piece N. Pieza N.	DESCRIZIONE	Fig. N. Abb. N.	Part. N. Bestell N. Piece N. Pieza N.	DESCRIZIONE
—	RZR-12/MTN/288	cantra completa da 288 posti rocche			
—	RZR-12/MTN/576	cantra completa da 576 posti rocche			
●	RZR-G035/60/8809	pettine rinvio fili completo			
★	RZR-PEC	gruppo passaggio elastici			
1	RZR-015/60/7405	scatolato superiore e centrale			
2	RZR-015/60/7400	telaio			
3	RZR-015/60/7413	passafilo da 12 fori			
4	RZR-015/60/7402	angolare porta tensioni			
5	RZR-62/D/6	rondella			
6	RZR-51/G/6	dado			
7	RZR-040/100/8851	tirante unione cantre			
8	RZR-015/60/7410	piedino			
9	RZR-015/60/7406	scatolato inferiore			
10	RZR-51/H/8	dado			
11	RZR-62/F/8	rondella			
12	RZR-015/60/7508	sostegno centrale			
13	RZR-015/60/7407	scatolato sostegno centrale			
14	RZR-36/E/30	vite			
15	RZR-015/60/7414	passafilo da 24 fori			
16	RZR-015/60/8166	asta ruotante			
17	RZR-4/S/5	cuscinetto			
18	RZR-015/60/8142	sostegno			
19	RZR-015/60/8044	vite			
20	RZR-62/C/5	rondella			
21	RZR-51/F/5	dado			
22	RZR-035/60/8807	listello			
23	RZR-36/F/40	vite			
24	RZR-36/F/20	vite			
25	RZR-14/G/10	rondella			
26	RZR-035/60/8806	piattello tensione			
27	RZR-015/60/8261	perno tensione			
28	RZR-G015/60/8261	tensione completa			
29	RZR-36/F/50	vite			
30	RZR-P015/60/7509	angolare porta coni			
31	RZR-015/60/7443	asta porta pettine			
32	RZR-020/80/2551	pettine rinvio fili			
33	RZR-1/G/10	vite			



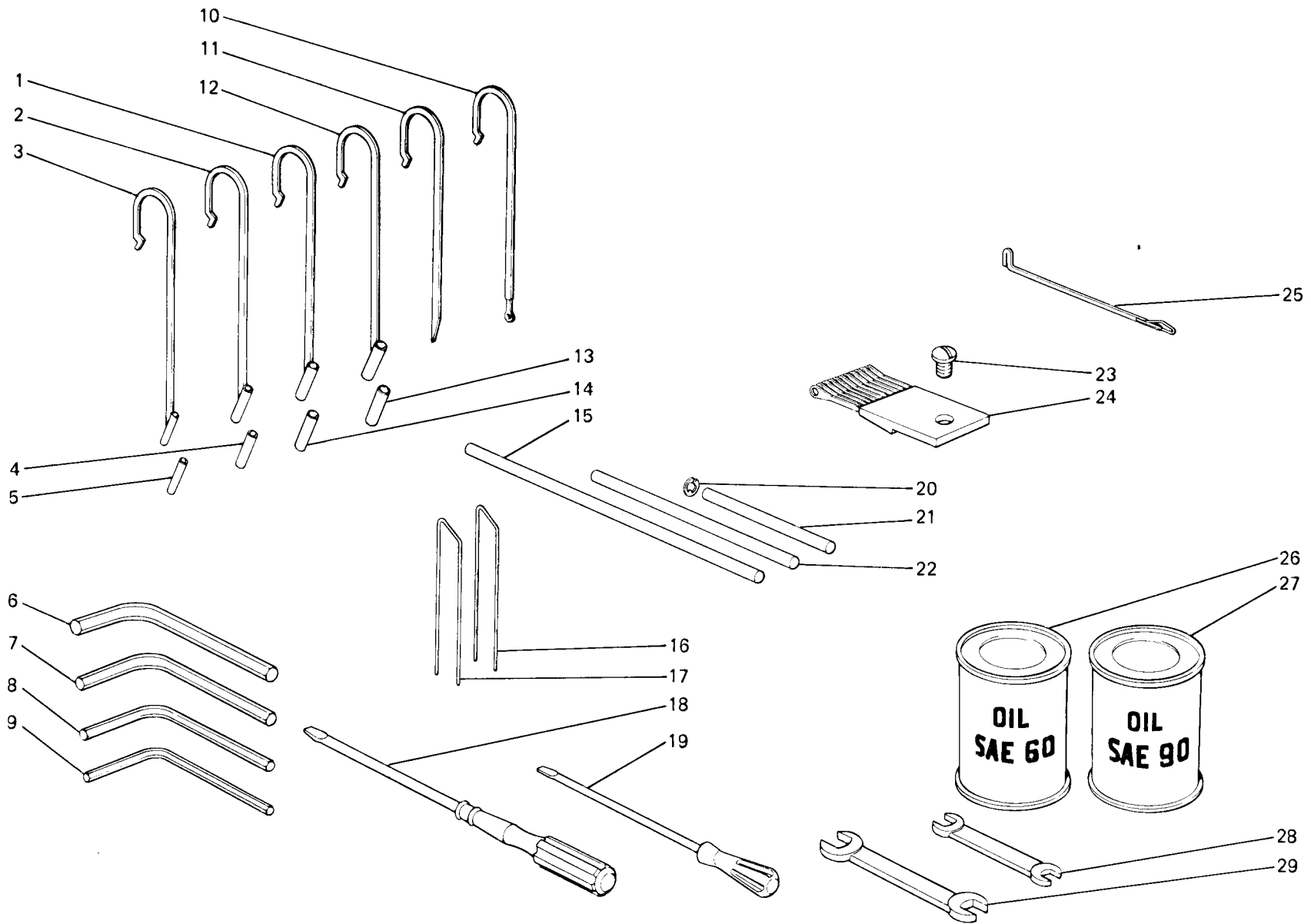


Fig. N. Abb. N.	Part. N. Bestell N. Piece N. Pieza N.	DESCRIZIONE	Fig. N. Abb. N.	Part. N. Bestell N. Piece N. Pieza N.	DESCRIZIONE
1	RZR-P015/60/295	guidafilo completo mm 1,2			
2	RZR-P015/60/289	guidafilo completo mm 1			
3	RZR-P015/60/298	guidafilo completo mm 0,8			
4	RZR-015/60/289	tubetto guidafilo mm 1			
5	RZR-015/60/298	tubetto guidafilo mm 0,8			
6	RZR-015/60/573	chiave esagonale da 6			
7	RZR-015/60/572	chiave esagonale da 5			
8	RZR-015/60/571	chiave esagonale da 4			
9	RZR-015/60/570	chiave esagonale da 3			
10	RZR-015/60/286	guidafilo con occhiello			
11	RZR-015/60/288	gambo per tubetto guidafilo			
12	RZR-P015/60/291	guidafilo completo mm 1,4			
13	RZR-015/60/291	tubetto guidafilo mm 1,4			
14	RZR-015/60/295	tubetto guidafilo mm 1,2			
15	RZR-015/60/153	perno glider catena a 6 file			
16	RZR-015/60/257	cavaliere pesante			
17	RZR-015/60/258	cavaliere leggero			
18	RZR-015/60/577	cacciavite da 6			
19	RZR-015/60/576	cacciavite da 3			
20	RZR-7/A/4	anello di fermo per catena 3-4 file			
21	RZR-015/60/344	perno glider catena a 3 file			
22	RZR-015/60/345	perno glider catena a 4 file			
23	RZR-41/B/7	vite			
24	RZR-P015/60/171	blocco passette fin. 15			
24	RZR-P014/60/427	blocco passette fin. 14			
24	RZR-P012/60/457	blocco passette fin. 12			
25	RZR-125/80/4832	ago a becco			
26	RZR-015/60/579	lattina olio SAE 60 lt. 1			
27	RZR-015/60/580	lattina olio SAE 90 lt. 1			
28	RZR-015/60/574	chiave fissa 8-10			
29	RZR-015/60/575	chiave fissa 13-17			

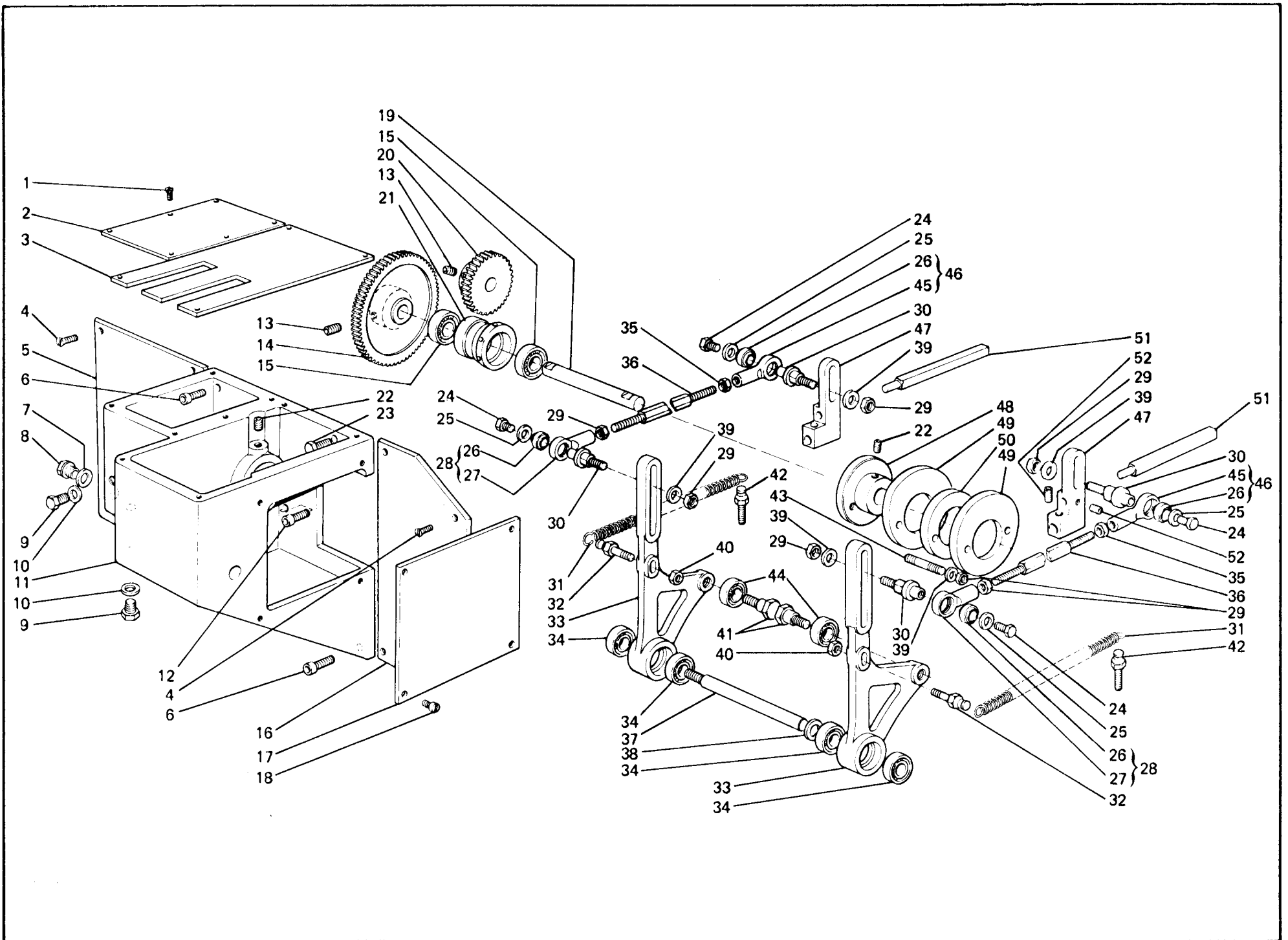


Fig. N. Abb. N.	Part. N. Bestell N. Piece N. Pieza N.	DESCRIZIONE	Fig. N. Abb. N.	Part. N. Bestell N. Piece N. Pieza N.	DESCRIZIONE
—	RZR-TR	gruppo tramatore doppia camma da 7÷18 aghi (800)			
1	RZR-41/B/7	vite (800)	48	RZR-135/80/7779	mozzo (800)
2	RZR-135/80/7771	carter lato trasmissione (800)	49	RZR-125/80/7796	camme barre da 7 a 10 aghi (800)
3	RZR-135/80/7772	carter lato leva (800)	49	RZR-125/80/7792	camme barre da 11 a 14 aghi (800)
4	RZR-26/F/10	vite (800)	49	RZR-125/80/7793	camme barre da 15 a 18 aghi (800)
5	RZR-135/80/7775	coperchio posteriore (800)	50	RZR-015/60/7708	anello distanziale (800)
6	RZR-2/D/25	vite (800)	51	RZR-015/60/7722	pernetto (800)
7	RZR-58/F/16	rondella speciale (800)	52	RZR-3/D/6	vite (800)
8	RZR-082/150/2020	livello olio (800)			<u>SOLO A RICHIESTA</u>
9	RZR-015/60/139	tappo scarico (800)	49	RZR-125/80/7794	camme barre da 19 a 22 aghi (800)
10	RZR-125/80/4913	rondella (800)	49	RZR-125/80/7795	camme barre da 23 a 30 aghi (800)
11	RZR-135/80/7770	supporto tramatore (800)			
12	RZR-36/G/20	vite (800)			
13	RZR-3/E/10	vite (800)			
14	RZR-135/80/7776	ingranaggio (800)			
15	RZR-4/H/20	cuscinetto (800)			
16	RZR-135/80/7774	coperchio anteriore (800)			
17	RZR-135/80/7773	carter lato camme (800)			
18	RZR-1/G/10	vite (800)			
19	RZR-135/80/7778	albero (800)			
20	RZR-015/60/7703	ingranaggio conduttore (800)			
21	RZR-135/80/7777	eccentrico porta cuscinetti (800)			
22	RZR-3/E/15	vite (800)			
23	RZR-36/G/25	vite (800)			
24	RZR-36/E/10	vite (800)			
25	RZR-14/B/5	rondella (800)			
26	RZR-015/60/165	boccola oscillante (800)			
27	RZR-015/60/7714	testa di biella filetto destro (800)			
28	RZR-P015/60/7715	testa di biella filetto destro completa (800)			
29	RZR-51/H/8	dado (800)			
30	RZR-015/60/169	pernetto (800)			
31	RZR-015/60/7707	molla (800)			
32	RZR-015/60/7727	pernetto (800)			
33	RZR-015/60/7710	leva (800)			
34	RZR-4/F/15	cuscinetto (800)			
35	RZR-015/60/7717	dadi filetto sinistro (800)			
36	RZR-015/60/7718	braccio di biella (800)			
37	RZR-135/80/7780	perno (800)			
38	RZR-015/60/7711	anello distanziale (800)			
39	RZR-62/F/8	rondella (800)			
40	RZR-51/G/6	dado (800)			
41	RZR-40/P/8	perno (800)			
42	RZR-135/80/7781	pernetto (800)			
43	RZR-015/60/7782	prigioniero (800)			
44	RZR-4/T/12	cuscinetto (800)			
45	RZR-015/60/7715	testa di biella filetto sinistro (800)			
46	RZR-P015/60/7714	testa di biella filetto sinistro completa (800)			
47	RZR-015/60/7719	supporto (800)			

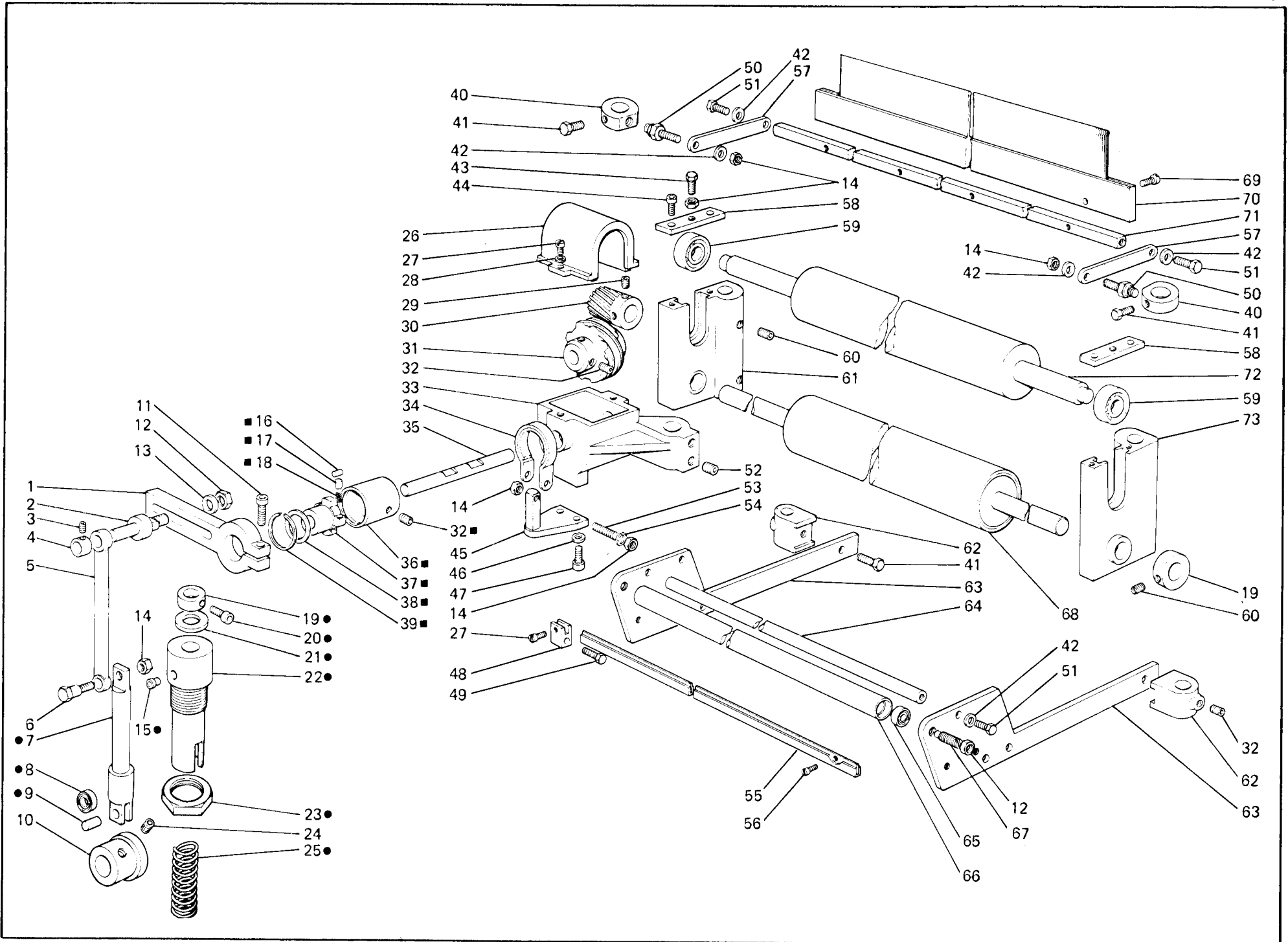


Fig. N. Abb. N.	Part. N. Bestell N. Piece N. Pieza N.	DESCRIZIONE	Fig. N. Abb. N.	Part. N. Bestell N. Piece N. Pieza N.	DESCRIZIONE
■	RZR-G015/60/8114	scatto completo (800)	48	RZR-015/60/264	cavallotto (800)
●	RZR-G015/60/7984	pistone cannotto completo (800)	49	RZR-36/F/22	vite (800)
1	RZR-015/60/8017	leva scatto (800)	50	RZR-015/60/7996	perno (800)
2	RZR-015/60/7988	perno braccio (800)	51	RZR-36/F/15	vite (800)
3	RZR-16/F/4	vite (800)	52	RZR-3/E/10	vite (800)
4	RZR-015/60/191	anello (800)	53	RZR-015/60/8007	perno filettato (800)
5	RZR-015/60/8075	braccio alimentatore (800)	54	RZR-50/D/6	rondella elastica (800)
6	RZR-40/B/14	vite	55	RZR-G015/80/382	comando arresto automatico (800)
7	RZR-015/80/7984	pistone (800)	56	RZR-1/D/5	vite (800)
8	RZR-4/D/10	cuscinetto (800)	57	RZR-015/60/8029	piattina (800)
9	RZR-015/60/125	perno (800)	58	RZR-015/60/7989	piastrina (800)
10	RZR-015/60/8000	camme alimentatore (800)	59	RZR-4/E/12	cuscinetto (800)
11	RZR-2/C/25	vite (800)	60	RZR-16/G/6	vite (800)
12	RZR-51/H/8	dado (800)	61	RZR-P015/60/7993	supporto sinistro (800)
13	RZR-62/F/8	rondella (800)	62	RZR-015/60/8069	supporto (800)
14	RZR-51/G/6	dado (800)	63	RZR-015/60/8083	piattina (800)
15	RZR-015/60/037	oliatore a sfera (800)	64	RZR-015/80/8035	asta rinvio (800)
16	RZR-015/60/8022	rullino scatto (800)	65	RZR-4/S/5	cuscinetto (800)
17	RZR-015/60/8023	capsula (800)	66	RZR-015/80/8036	asta ruotante (800)
18	RZR-015/60/8024	mollotta (800)	67	RZR-015/80/8044	vite (800)
19	RZR-015/60/245	anello (800)	68	RZR-P015/80/8043	rullo inferiore (800)
20	RZR-2/C/10	vite (800)	69	RZR-1/G/10	vite (800)
21	RZR-58/E/15	rondella speciale (800)	70	RZR-015/80/8079	pettine alimentatore fin. 15 (800)
22	RZR-015/60/8059	canotto (800)	70	RZR-014/80/8080	pettine alimentatore fin. 14 (800)
23	RZR-015/60/156	ghiera (800)	70	RZR-012/80/8081	pettine alimentatore fin. 12 (800)
24	RZR-3/E/8	vite (800)	71	RZR-015/80/7998	asta porta pettine (800)
25	RZR-015/60/8010	molla (800)	72	RZR-P015/80/7991	rullo superiore (800)
26	RZR-015/60/8071	coperchio (800)	73	RZR-P015/60/7992	supporto destro (800)
27	RZR-1/E/5	vite (800)			
28	RZR-62/A/4	rondella (800)			
29	RZR-3/D/8	vite (800)			
30	RZR-015/60/8072	pignone (800)			
31	RZR-015/60/8073	ruota elicoidale (800)			
32	RZR-3/D/10	vite (800)			
33	RZR-P015/60/7995	supporto (800)			
34	RZR-P015/60/8021	freno (800)			
35	RZR-015/60/8074	perno (800)			
36	RZR-015/60/8114	esterno per scatto (800)			
37	RZR-P015/60/8112	interno per scatto (800)			
38	RZR-60/M/24	anello (800)			
39	RZR-015/60/8019	anello elastico (800)			
40	RZR-015/60/8027	anello sostegno pettine (800)			
41	RZR-36/F/10	vite (800)			
42	RZR-62/D/6	rondella (800)			
43	RZR-36/F/20	vite (800)			
44	RZR-2/B/10	vite (800)			
45	RZR-P015/60/7986	piastrina (800)			
46	RZR-62/C/5	rondella (800)			
47	RZR-2/B/15	vite (800)			

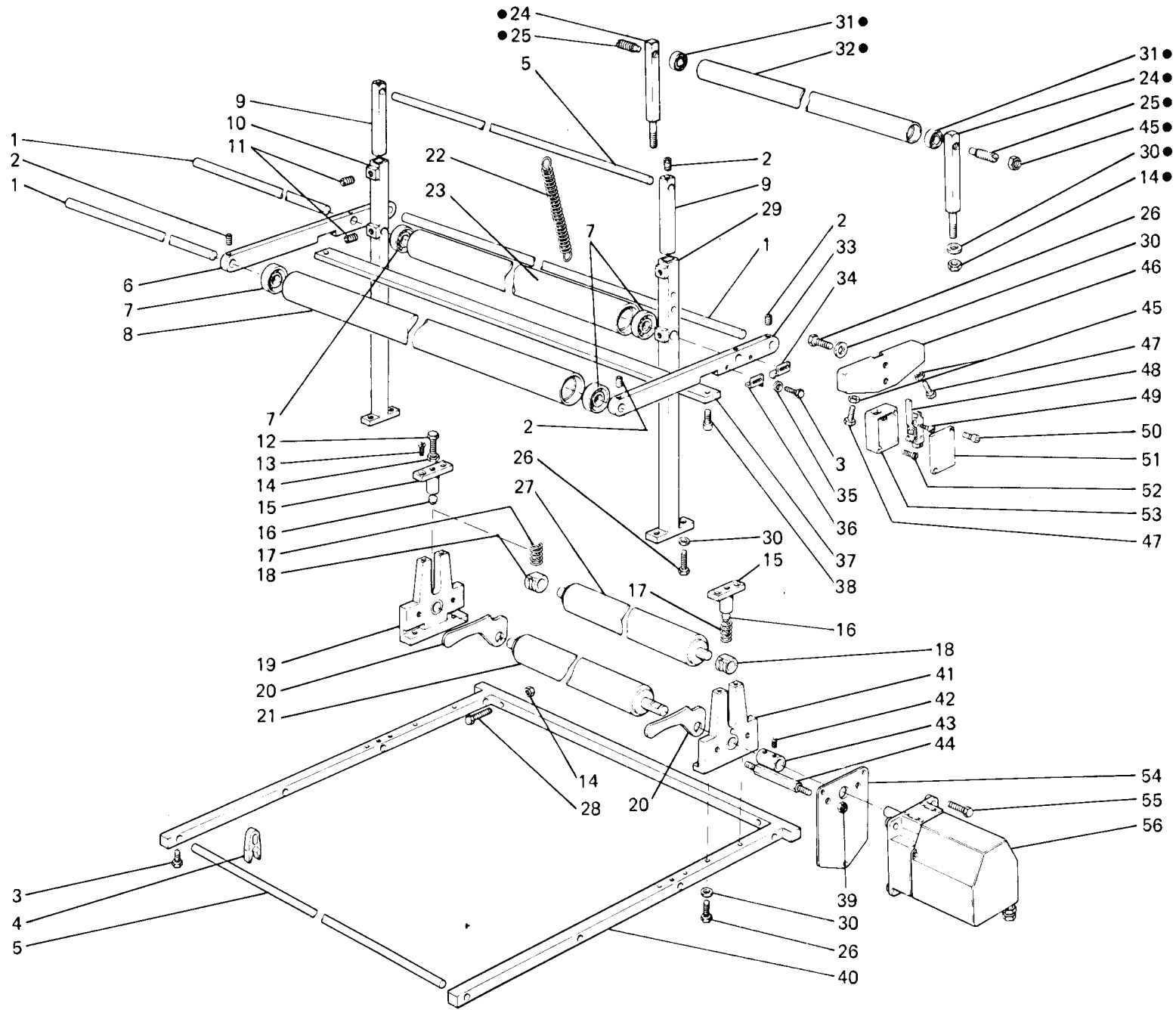


Fig. N. Abb. N.	Part. N. Bestell N. Piece N. Pieza N.	DESCRIZIONE	Fig. N. Abb. N.	Part. N. Bestell N. Piece N. Pieza N.	DESCRIZIONE
—	RZR-SM	gruppo sollevatore elastico (escluso ●) (800)	48	RZR-015/20/8196	microinterruttore (800)
●	RZR-PEC	gruppo passaggio elastici (800)	49	RZR-1/C/8	vite (800)
1	RZR-015/60/8188	perno (800)	50	RZR1/D/5	vite (800)
2	RZR-3/D/8	vite (800)	51	RZR-015/60/8198	coperchio (800)
3	RZR-36/E/10	vite (800)	52	RZR-26/E/8	vite (800)
4	RZR-015/60/8150	molletta divisione elastici (800)	53	RZR-015/60/8197	scatola (800)
5	RZR-015/60/8182	asta (800)	54	RZR-015/60/8177	piastra motore (800)
6	RZR-015/60/8168	asta destra (800)	55	RZR-36/E/20	vite (800)
7	RZR-4/F/15	cuscinetto (800)	56	RZR-015/60/8172	motore (800)
8	RZR-015/60/8187	rullo lungo (800)			
9	RZR-015/60/8194	perno (800)			
10	RZR-P015/60/8190	piantana destra (800)			
11	RZR-3/D/10	vite (800)			
12	RZR-36/F/25	vite (800)			
13	RZR-26/E/10	vite (800)			
14	RZR-51/G/6	dado (800)			
15	RZR-015/60/8154	portamollla (800)			
16	RZR-016/60/8116	tappo (800)			
17	RZR-015/60/8191	molla (800)			
18	RZR-015/60/8001	bronzina (800)			
19	RZR-P015/60/8171	supporto destro (800)			
20	RZR-015/60/8127	leva (800)			
21	RZR-P015/60/8175	rullo inferiore (800)			
22	RZR-020/60/8707	molla (800)			
23	RZR-015/60/8173	rullo corto (800)			
24	RZR-015/60/8142	sostegno (800)			
25	RZR-015/80/8044	vite (800)			
26	RZR-36/F/30	vite (800)			
27	RZR-P015/60/8176	rullo superiore (800)			
28	RZR-36/F/50	vite (800)			
29	RZR-P015/60/8185	piantana sinistra (800)			
30	RZR-62/D/6	rondella (800)			
31	RZR-4/S/5	cuscinetto (800)			
32	RZR-015/60/8166	asta (800)			
33	RZR-015/60/8169	asta sinistra (800)			
34	RZR-015/60/8195	contrasto destro (800)			
35	RZR-62/C/5	rondella (800)			
36	RZR-015/60/8192	contrasto sinistro (800)			
37	RZR-015/60/8186	distanziale (800)			
38	RZR-2/C/14	vite (800)			
39	RZR-51/F/5	dado (800)			
40	RZR-P015/60/8174	telaio (800)			
41	RZR-P015/60/8170	supporto sinistro (800)			
42	RZR-3/C/8	vite (800)			
43	RZR-015/60/8181	giunto (800)			
44	RZR-015/60/066	perno (800)			
45	RZR-51/H/8	dado (800)			
46	RZR-015/60/8189	piastrina arresto (800)			
47	RZR-36/G/20	vite (800)			



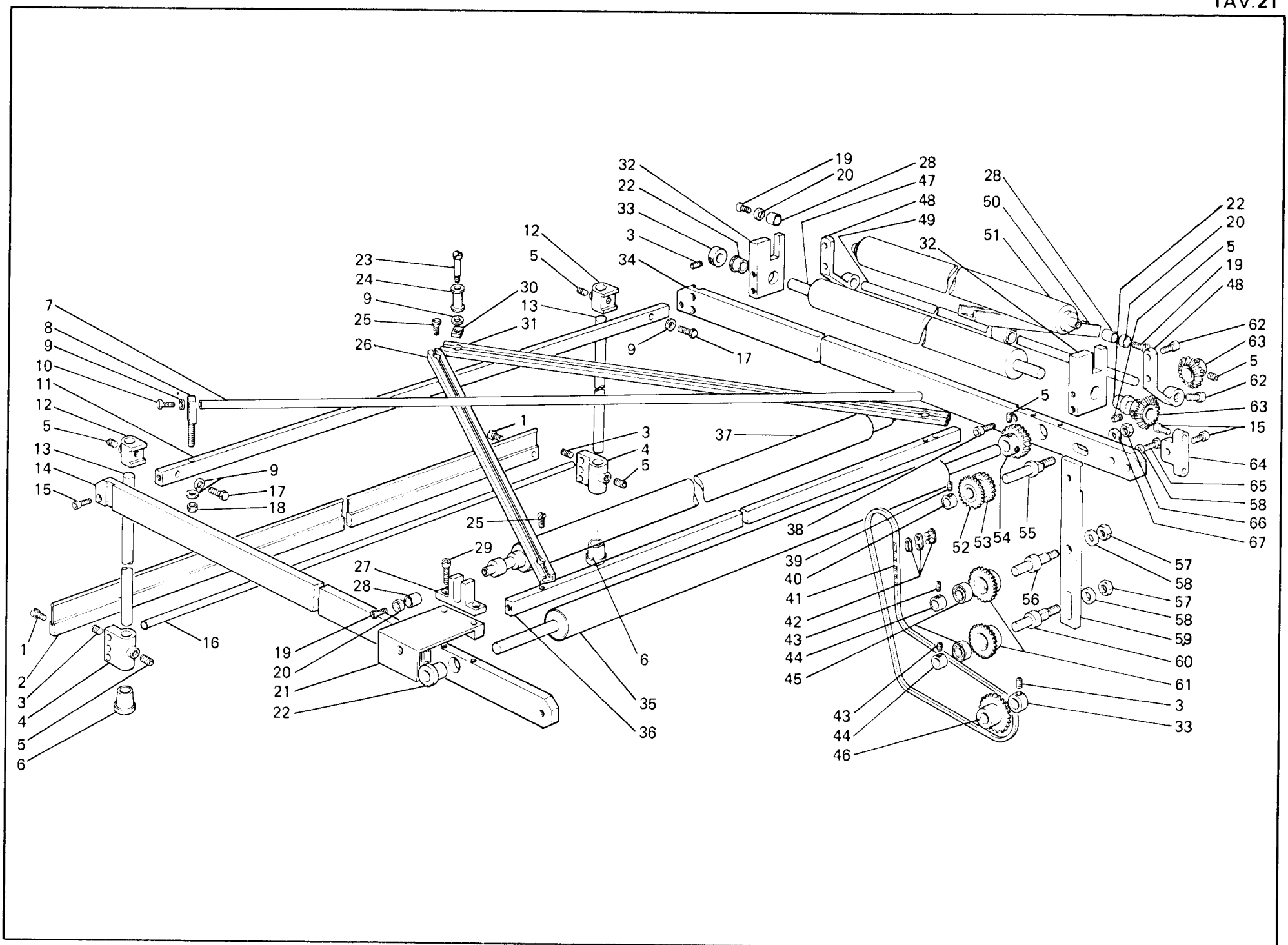


Fig. N. Abb. N.	Part. N. Bestell N. Piece N. Pieza N.	DESCRIZIONE	Fig. N. Abb. N.	Part. N. Bestell N. Piece N. Pieza N.	DESCRIZIONE
—	RZR-REF	raccoglitore elastico finito completo fin. 15 (800)	45	RZR-4/D/10	cuscinetto (800)
—	RZR-REF	raccoglitore elastico finito completo fin. 14 (800)	46	RZR-015/80/7829	ingranaggio conduttore (800)
—	RZR-REF	raccoglitore elastico finito completo fin. 12 (800)	47	RZR-P135/80/7317	rullo inferiore laterale (800)
1	RZR-1/H/10	vite (800)	48	RZR-015/60/7813	supporto (800)
2	RZR-015/80/395	pettine anteriore e posteriore fin. 15 (800)	49	RZR-015/80/7905	asta (800)
2	RZR-014/80/411	pettine anteriore e posteriore fin. 14 (800)	50	RZR-P015/60/7816	canalino guida elastico (800)
2	RZR-012/80/490	pettine anteriore e posteriore fin. 12 (800)	51	RZR-015/80/7914	rullo superiore laterale (800)
3	RZR-16/G/6	vite (800)	52	RZR-135/80/7329	ingranaggio condotto (800)
4	RZR-135/80/7321	supporto (800)	52	RZR-135/80/7330	ingranaggio condotto (800)
5	RZR-3/D/8	vite (800)	53	RZR-135/80/7328	ingranaggio conduttore (800)
6	RZR-135/80/7327	piedino (800)	54	RZR-015/60/7820	ingranaggio condotto (800)
7	RZR-135/80/7325	asta inclinata (800)	55	RZR-015/60/7846	perno (800)
8	RZR-135/80/7324	blocchetto (800)	56	RZR-135/80/7302	perno galoppino superiore (800)
9	RZR-62/D/6	rondella (800)	57	RZR-51/H/8	dado (800)
10	RZR-36/F/20	vite (800)	58	RZR-62/F/8	rondella (800)
11	RZR-135/80/7312	asta collegamento estremità (800)	59	RZR-135/80/7301	supporto (800)
12	RZR-015/60/8069	supporto (800)	60	RZR-135/80/7303	perno galoppino inferiore (800)
13	RZR-135/80/7320	aste registrabili (800)	61	RZR-135/80/5156	ingranaggio (800)
14	RZR-P135/80/7310	supporto sinistro (800)	62	RZR-2/B/10	vite (800)
15	RZR-2/D/16	vite (800)	63	RZR-015/60/7835	ingranaggio conico (800)
16	RZR-015/60/364	asta rinvio fili (800)	64	RZR-135/80/7308	supporto (800)
17	RZR-36/F/25	vite (800)	65	RZR-36/G/20	vite (800)
18	RZR-51/G/6	dado (800)	66	RZR-51/L/10	dado (800)
19	RZR-26/E/8	vite (800)	67	RZR-62/G/10	rondella (800)
20	RZR-60/R/4	rondella (800)			
21	RZR-P135/80/7307	protezione (800)			
22	RZR-015/60/8013	bronzina (800)			
23	RZR-015/60/7811	perno (800)			
24	RZR-015/60/7810	rullino (800)			
25	RZR-26/H/8	vite (800)			
26	RZR-015/80/7919	guida sinistra (800)			
27	RZR-015/60/7807	supporto guida (800)			
28	RZR-015/60/7834	boccola antivibrante (800)			
29	RZR-2/B/30	vite (800)			
30	RZR-015/60/7817	piastrina (800)			
31	RZR-015/80/7917	guida destra (800)			
32	RZR-135/80/7315	guida rulli laterali (800)			
33	RZR-015/60/245	anello (800)			
34	RZR-P135/80/7309	supporto destro (800)			
35	RZR-P135/80/7305	rullo inferiore centrale (800)			
36	RZR-135/80/7311	asta collegamento centrale (800)			
37	RZR-015/80/7909	rullo superiore centrale (800)			
38	RZR-2/C/16	vite (800)			
39	RZR-16/F/4	vite (800)			
40	RZR-015/60/010	anello (800)			
41	RZR-135/80/7300	catena trasmissione (800)			
42	RZR-G035/60/846	giunzione catena (800)			
43	RZR-16/F/5	vite (800)			
44	RZR-015/60/191	anello (800)			

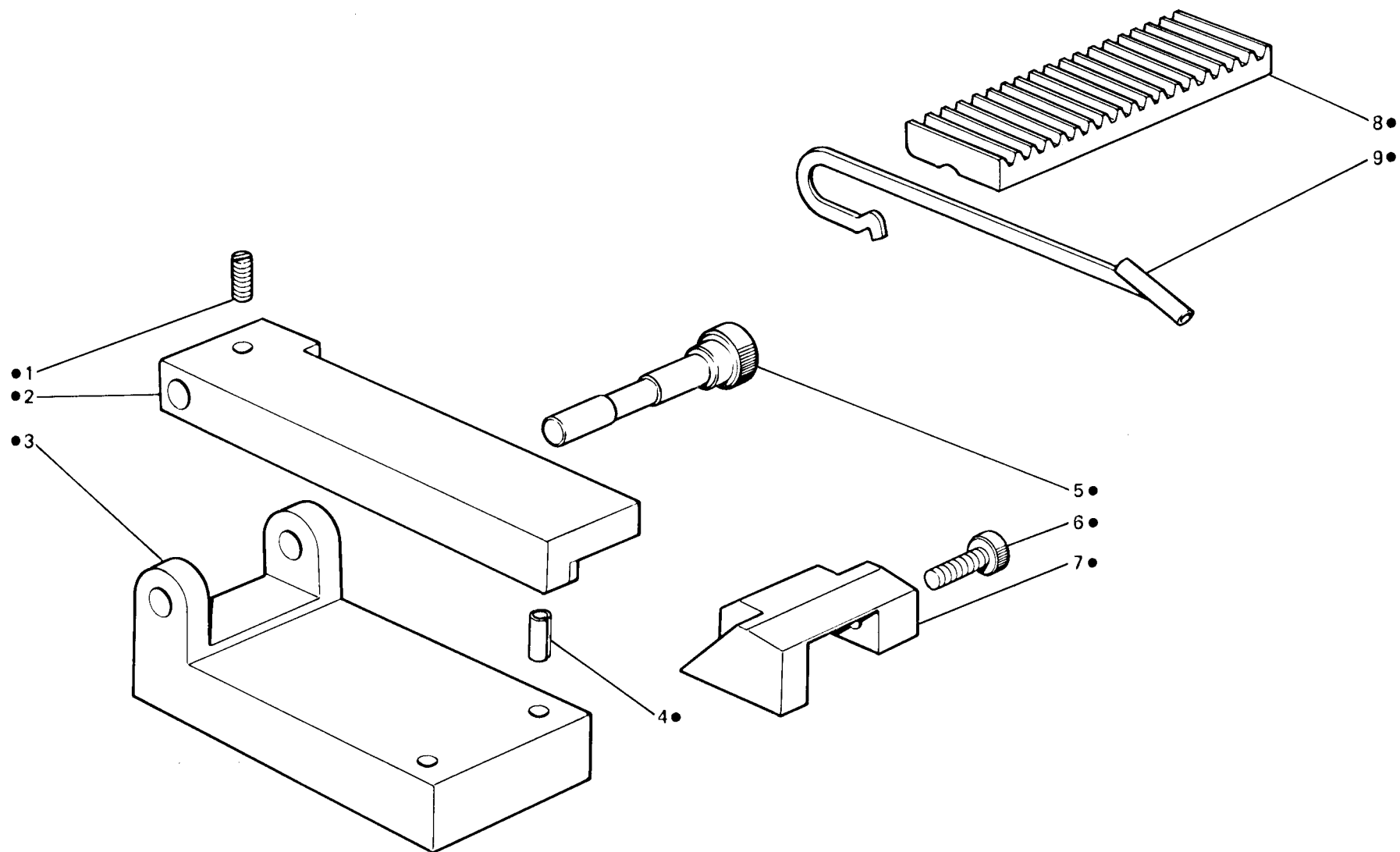


Fig. N. Abb. N.	Part. N. Bestell N. Piece N. Pieza N.	DESCRIZIONE	Fig. N. Abb. N.	Part. N. Bestell N. Piece N. Pieza N.	DESCRIZIONE
●	RZR-G015/60/9075	attrezzo per glider e tubetto completo fin. 15			
●	RZR-G014/60/9074	attrezzo per glider e tubetto completo fin. 14			
●	RZR-G012/60/9073	attrezzo per glider e tubetto completo fin. 12			
1	RZR-16/F/4	vite			
2	RZR-015/60/9075	staffa serraggio fin. 15			
2	RZR-014/60/9074	staffa serraggio fin. 14			
2	RZR-012/60/9073	staffa serraggio fin. 12			
3	RZR-015/60/9060	blocchetto porta glider			
4	RZR-8/C/26	spina elastica			
5	RZR-015/60/9062	perno			
6	RZR-015/60/9077	pomolo			
7	RZR-015/60/9076	corsoio			
8	RZR-015/60/9090	blocchetto porta tubetti fin. 15-14-12			
9	RZR-P015/60/289	tubetto guidafilo campione			

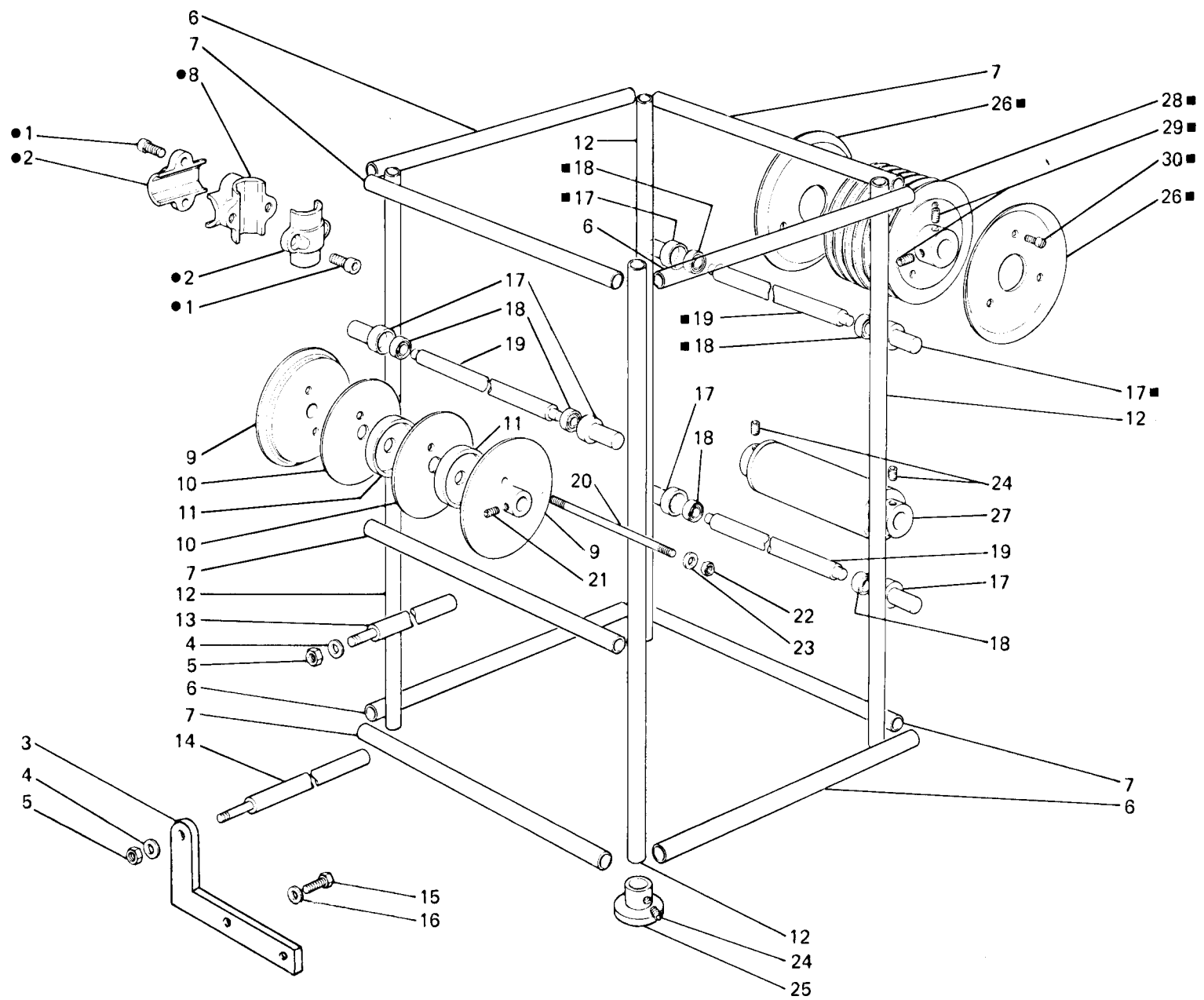


Fig. N. Abb. N.	Part. N. Bestell N. Piece N. Pieza N.	DESCRIZIONE	Fig. N. Abb. N.	Part. N. Bestell N. Piece N. Pieza N.	DESCRIZIONE
—	RZR-GP	prolungamento speciale catena completo			
●	RZR-G082/150/2431	morsetto completo			
■	RZR-G015/60/8564	rullo rinvio completo			
1	RZR-2/D/25	vite			
2	RZR-082/150/2432	coperchio morsetto			
3	RZR-P135/80/8595	traversino			
4	RZR-62/G/10	rondella			
5	RZR-L/10	dado			
6	RZR-135/80/8591	traversini lunghi			
7	RZR-135/80/8592	traversini corti			
8	RZR-082/150/2431	corpo morsetto			
9	RZR-015/60/8563	flangia			
10	RZR-015/60/8564	disco			
11	RZR-015/60/8565	distanziale			
12	RZR-135/80/8590	piantana			
13	RZR-135/80/8593	asta collegamento superiore			
14	RZR-135/80/8594	asta collegamento inferiore			
15	RZR-36/G/25	vite			
16	RZR-62/F/8	rondella			
17	RZR-075/100/2634	porta cuscinetto			
18	RZR-4/F/15	cuscinetto			
19	RZR-135/80/8596	perno rullo			
20	RZR-015/60/8584	tirante			
21	RZR-3/E/10	vite			
22	RZR-51/G/6	dado			
23	RZR-62/D/6	rondella			
24	RZR-3/D/10	vite			
25	RZR-082/150/2421	piedino			
26	RZR-015/60/320	flangia tamburo			
27	RZR-P015/60/8589	rullo liscio rinvio			
28	RZR-015/60/8585	rullo rinvio con cave			
29	RZR-3/E/15	vite			
30	RZR-1/H/10	vite			

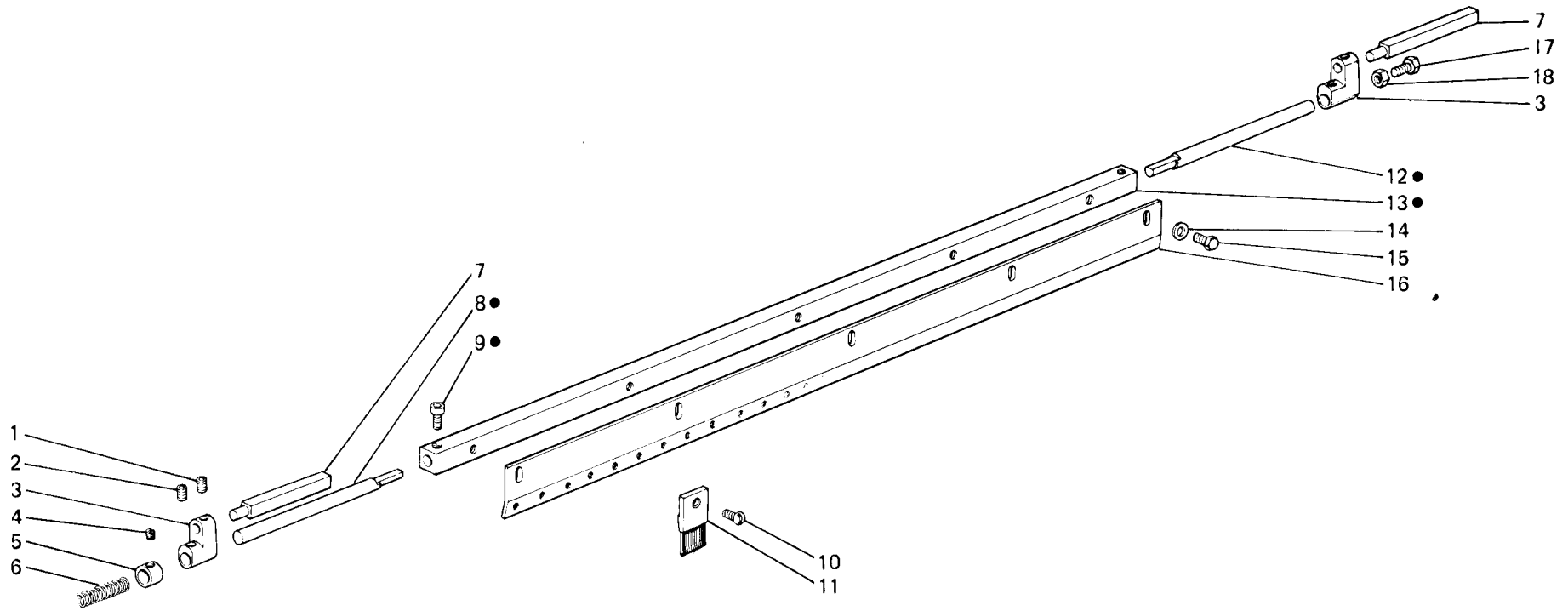


Fig. N. Abb. N.	Part. N. Bestell N. Piece N. Pieza N.	DESCRIZIONE	Fig. N. Abb. N.	Part. N. Bestell N. Piece N. Pieza N.	DESCRIZIONE
—	RZR-BPE	gruppo barra passette fin. 15 (800)			
—	RZR-BPE	gruppo barra passette fin. 14 (800)			
—	RZR-BPE	gruppo barra passette fin. 12 (800)			
●	RZR-G135/80/9414	barra passette completa (800)			
1	RZR-3/D/6	vite (800)			
2	RZR-3/D/8	vite (800)			
3	RZR-015/60/187	supporto barre (800)			
4	RZR-16/F/4	vite (800)			
5	RZR-015/60/010	anello (800)			
6	RZR-015/60/8047	molla (800)			
7	RZR-015/60/188	spina (800)			
8	RZR-125/80/4866	perno lungo (800)			
9	RZR-2/C/10	vite (800)			
10	RZR-41/B/7	vite (800)			
11	RZR-P015/60/171	blocco passette fin. 15 (800)			
11	RZR-P014/60/427	blocco passette fin. 14 (800)			
11	RZR-P012/60/457	blocco passette fin. 12 (800)			
12	RZR-135/80/5227	perno corto (800)			
13	RZR-015/80/9430	barra passette (800)			
14	RZR-62/C/5	rondella (800)			
15	RZR-36/E/10	vite (800)			
16	RZR-015/80/9431	lamella porta passette fin. 15-14 (800)			
16	RZR-015/80/9434	lamella porta passette fin. 12 (800)			
17	RZR-36/R/25	vite (800)			
18	RZR-51/G/6	dado (800)			



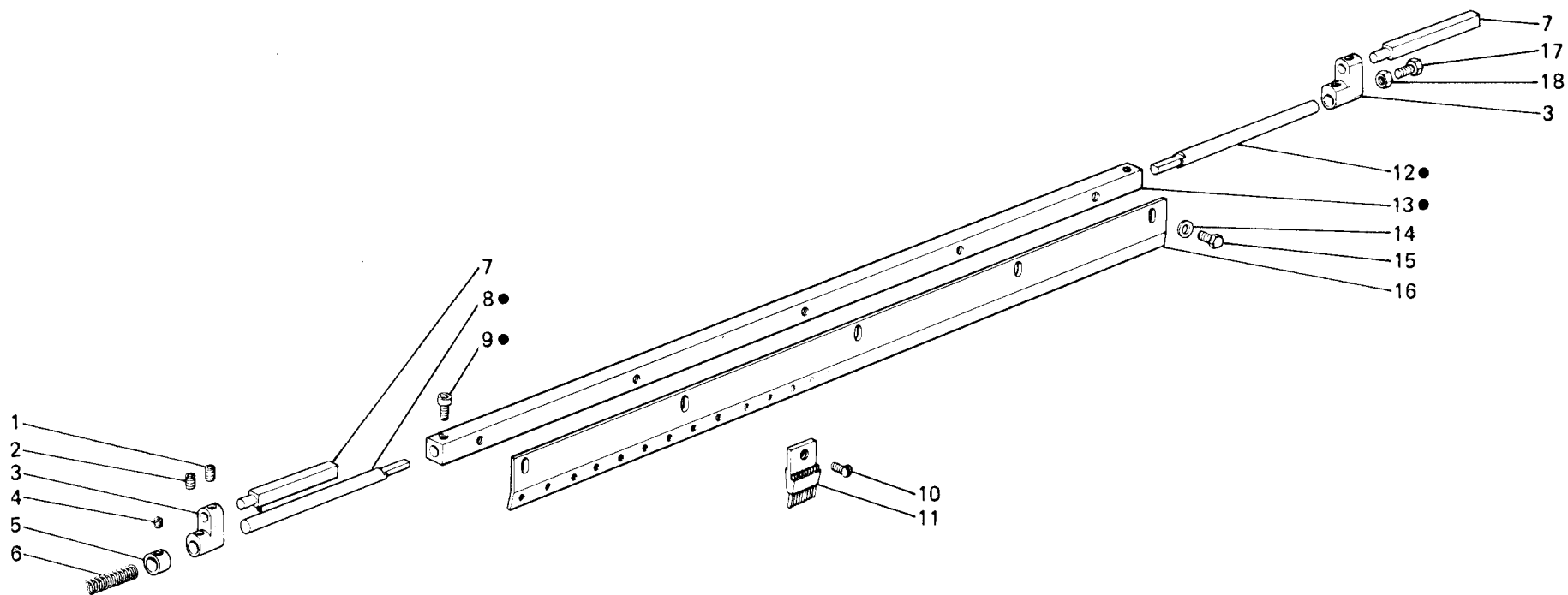


Fig. N. Abb. N.	Part. N. Bestell N. Piece N. Pieza N.	DESCRIZIONE	Fig. N. Abb. N.	Part. N. Bestell N. Piece N. Pieza N.	DESCRIZIONE
—	RZR-BT	gruppo barra tubetti fin. 15 (800)			
—	RZR-BT	gruppo barra tubetti fin. 14 (800)			
—	RZR-BT	gruppo barra tubetti fin. 12 (800)			
—	RZR-BT	gruppo barra tubetti fin. 15 (1000)			
—	RZR-BT	gruppo barra tubetti fin. 14 (1000)			
—	RZR-BT	gruppo barra tubetti fin. 12 (1000)			
●	RZR-P135/80/9414	barra tubetti completa (800)			
●	RZR-P135/100/9420	barra tubetti completa (1000)			
1	RZR-3/D/6	vite			
2	RZR-3/D/8	vite			
3	RZR-015/60/187	supporto barre			
4	RZR-16/F/4	vite			
5	RZR-015/60/010	anello			
6	RZR-015/60/190	molla			
7	RZR-015/60/188	spina			
8	RZR-125/80/4866	perno lungo			
9	RZR-2/C/10	vite			
10	RZR-41/B/7	vite			
11	RZR-P015/60/9407	blocco tubetti fin. 15			
11	RZR-P014/60/9408	blocco tubetti fin. 14			
11	RZR-P012/60/9409	blocco tubetti fin. 12			
12	RZR-135/100/5623	perno corto			
13	RZR-015/80/9430	barra tubetti (800)			
13	RZR-015/100/9440	barra tubetti (1000)			
14	RZR-62/C/5	rondella			
15	RZR-36/E/10	vite			
16	RZR-015/80/9431	lamella porta tubetti fin. 15-14 (800)			
16	RZR-012/80/9434	lamella porta tubetti fin. 12 (800)			
16	RZR-015/100/9441	lamella porta tubetti fin. 15-14 (1000)			
16	RZR-012/100/9444	lamella porta tubetti fin. 12 (1000)			
17	RZR-36/R/25	vite			
18	RZR-51/G/6	dado			

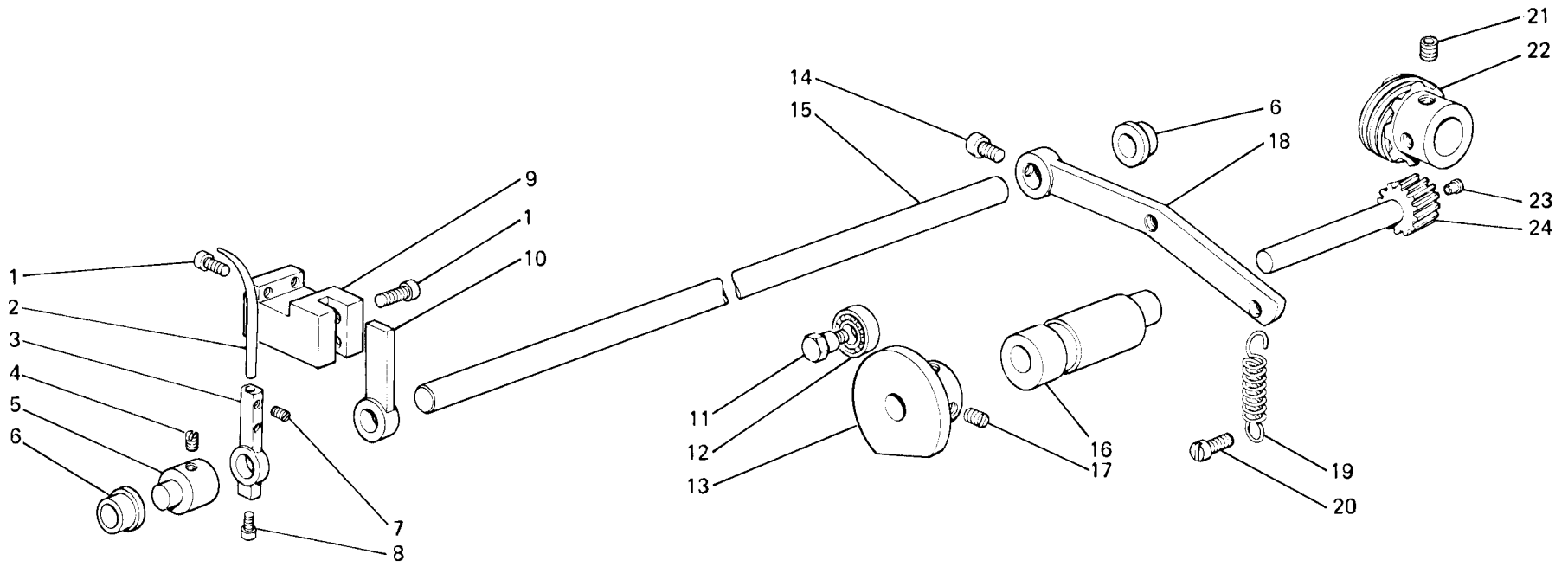


Fig. N. Abb. N.	Part. N. Bestell N. Piece N. Pieza N.	DESCRIZIONE	Fig. N. Abb. N.	Part. N. Bestell N. Piece N. Pieza N.	DESCRIZIONE
–	RZR-PICHER	gruppo picher (escluso fig. 6) (800)			
1	RZR-2/B/15	vite (800)			
2	RZR-015/60/8308	punta (800)			
3	RZR-020/60/610	supporto (800)			
4	RZR-16/F/4	vite (800)			
5	RZR-015/60/8310	bussola (800)			
6	RZR-135/80/5088	bronzina (800)			
7	RZR-16/D/5	vite (800)			
8	RZR-2/A/10	vite (800)			
9	RZR-015/60/8316	blocchetto (800)			
10	RZR-015/60/8315	supporto (800)			
11	RZR-40/G/5,5	vite (800)			
12	RZR-4/A/8	cuscinetto (800)			
13	RZR-015/60/8307	camme (800)			
14	RZR-2/B/10	vite (800)			
15	RZR-015/60/8312	asta (800)			
16	RZR-135/80/8323	eccentrico (800)			
17	RZR-16/G/8	vite (800)			
18	RZR-015/60/8300	leva (800)			
19	RZR-015/60/8301	molla (800)			
20	RZR-1/E/10	vite (800)			
21	RZR-3/E/8	vite (800)			
22	RZR-015/60/8321	vite senza fine (800)			
23	RZR-015/60/037	oliatore a sfera (800)			
24	RZR-P135/80/8322	pignone con albero (800)			

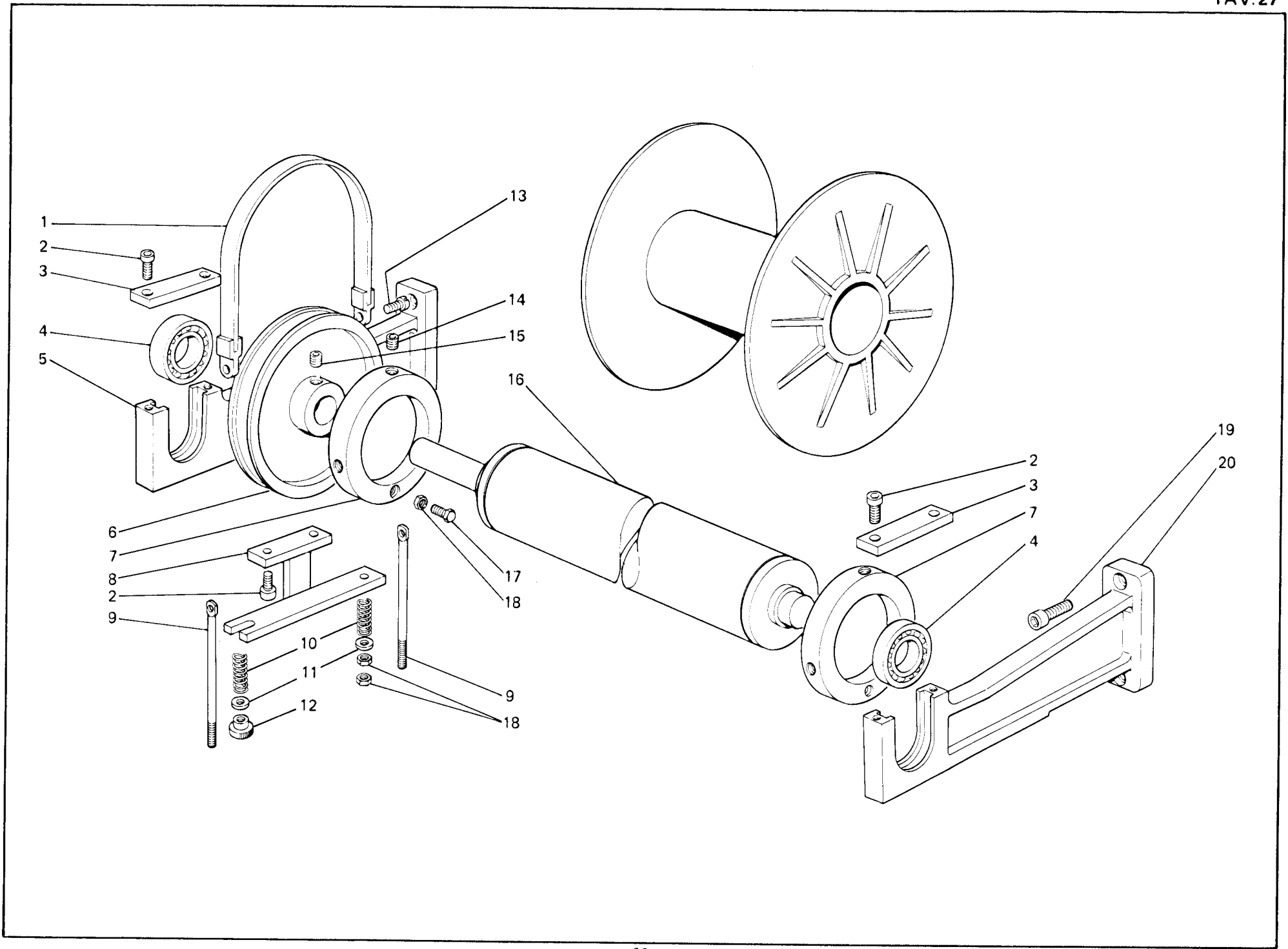


Fig. N. Abb. N.	Part. N. Bestell N. Piece N. Pieza N.	DESCRIZIONE	Fig. N. Abb. N.	Part. N. Bestell N. Piece N. Pieza N.	DESCRIZIONE
1	RZR-P015/60/9205	listello frenante			
2	RZR-2/C/14	vite			
3	RZR-015/60/9203	piastrina			
4	RZR-4/L/25	cuscinetto			
5	RZR-082/150/2401	supporto sinistro			
6	RZR-015/60/9204	puleggia			
7	RZR-015/60/9207	anello			
8	RZR-P015/60/9215	piastrina			
9	RZR-015/60/9206	tenditore			
10	RZR-015/60/8133	molletta			
11	RZR-62/D/6	rondella			
12	RZR-015/60/247	pomello			
13	RZR-1/E/8	vite			
14	RZR-3/D/15	vite			
15	RZR-3/E	vite			
16	RZR-P015/80/9211	albero porta subbi (800)			
16	RZR-P015/100/9212	albero porta subbi (1000)			
17	RZR-36/F/30	vite			
18	RZR-51/G/6	dado			
19	RZR-2/D/20	vite			
20	RZR-082/150/2400	supporto destro			

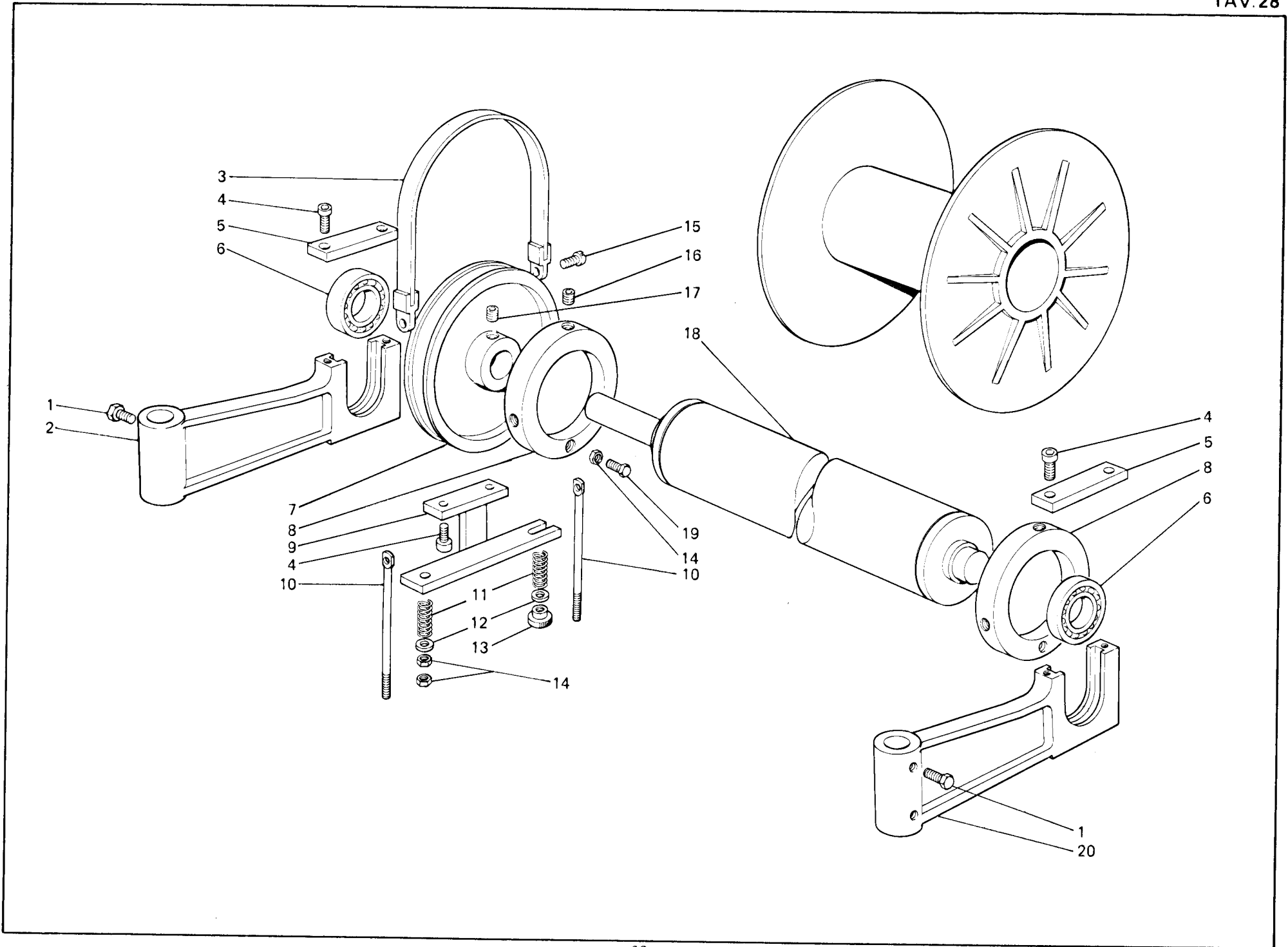


Fig. N. Abb. N.	Part. N. Bestell N. Piece N. Pieza N.	DESCRIZIONE	Fig. N. Abb. N.	Part. N. Bestell N. Piece N. Pieza N.	DESCRIZIONE
1	RZR-36/F/15	vite			
2	RZR-015/60/9201	supporto sinistro			
3	RZR-P015/60/9205	listello frenante			
4	RZR-2/C/14	vite			
5	RZR-015/60/9203	piastrina			
6	RZR-4/L/25	cuscinetto			
7	RZR-015/60/9204	puleggia			
8	RZR-015/60/9207	anello			
9	RZR-P015/60/9220	piastrina			
10	RZR-015/60/9206	tenditore			
11	RZR-015/60/8133	molletta			
12	RZR-62/D/6	rondella			
13	RZR-015/60/247	pomello			
14	RZR-51/G/6	dado			
15	RZR-1/E/8	vite			
16	RZR-3/D/15	vite			
17	RZR-3/E/10	vite			
18	RZR-P015/80/9211	albero porta subbi (800)			
18	RZR-P040/100/9212	albero porta subbi (1000)			
19	RZR-36/F/30	vite			
20	RZR-015/60/9200	supporto destro			