

Rimoldi

CATALOGO PEZZI DI RICAMBIO
SPARE PARTS CATALOGUE
CATALOGUE RECHANGES
ERSATZTEILELISTE

AVVOLGITRICE
APR/180 MATIC

n.162

652891040

UFFICIO CATALOGHI 5/76

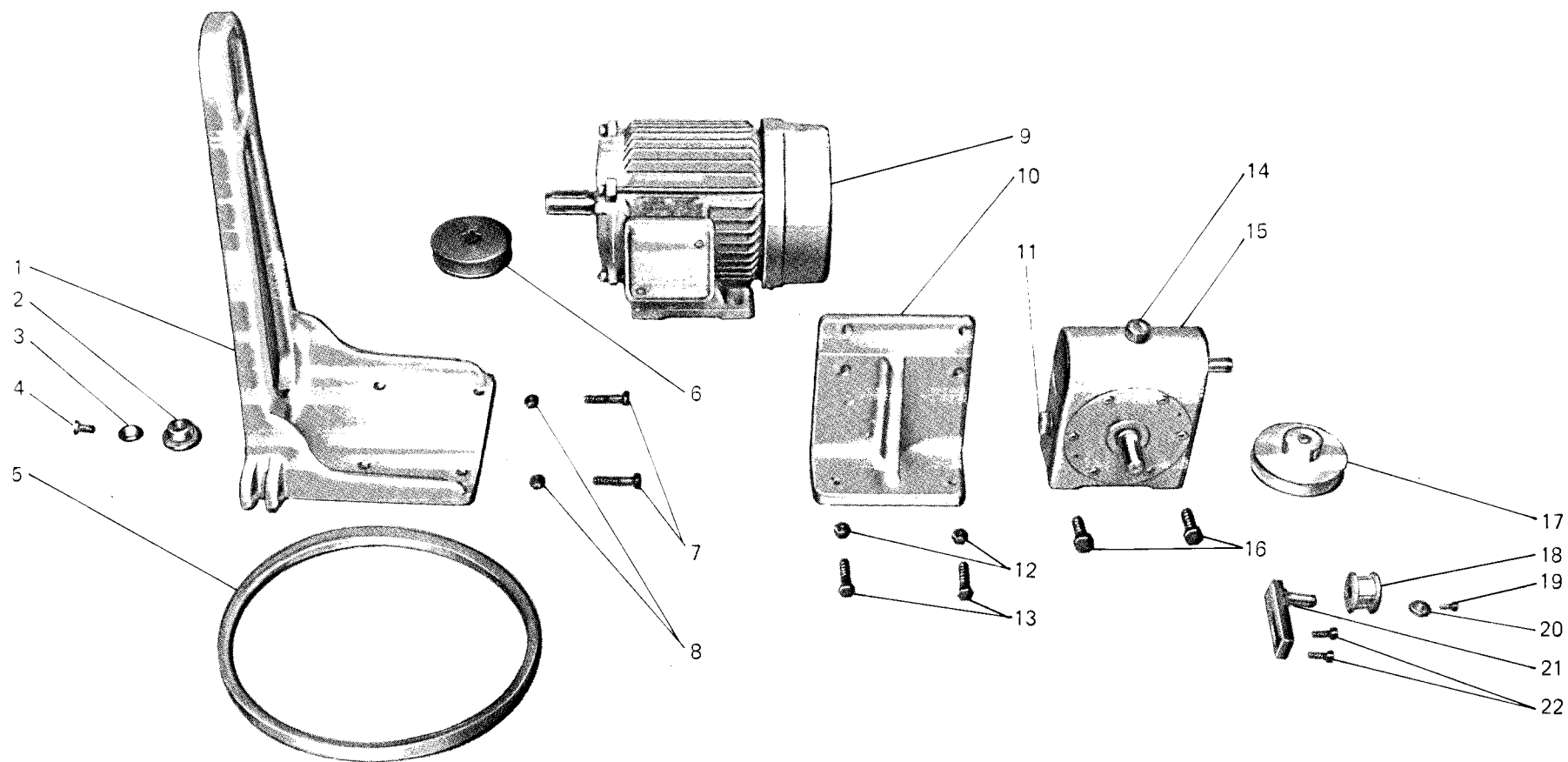


Fig. N. Abb. N.	Part. N. Bestell N. Piece N. Pieza N.	Qt. Anzahl	DESCRIZIONE	DESCRIPTION	DESCRIPTION	BENENNUNG	DESCRIPCION
1	RPS-968/1	1	squadra porta motore	bracket	équerre		
2	RPS-968/10	1	perno porta squadra motore	pin	pivot		
3	RPS-968/11	1	rondella	washer	rondelle		
4	RPS-968/12	1	vite	screw	vis		
5	RPS-968/9	1	cinghia	belt	courroie		
6	RPS-968/3	1	puleggia motore	motor pulley	poulie moteur		
7	RPS-968/010	4	vite	screw	vis		
8	RPS-968/002	4	dado	nut	écrou		
9	RPS-968/2	1	motore HP1,25 V220/380 giri 1400	motor	moteur		
10	RPS-968/4	1	squadra porta riduttore	bracket	équerre		
11	RPS-968/15	1	tappo spia	plug	bouchon		
12	RPS-968/004	4	dado	nut	écrou		
13	RPS-968/03	4	vite	screw	vis		
14	RPS-968/14	1	tappo olio	oil plug	bouchon de l'huile		
15	RPS-968/5	1	riduttore rapporto 1/25	reduction unit	réducteur		
16	RPS-968/05	4	vite	screw	vis		
17	RPS-968/6	1	puleggia uscita riduttore	pulley	poulie		
18	RPS-968/8	1	rullo tendicinghia	roller	rouleau		
19	RPS-968/07	1	vite	screw	vis		
20	RPS-968/13	1	rondella	washer	rondelle		
21	RPS-968/7	1	supporto porta rullo tendicinghia	support	support		
22	RPS-968/06	2	vite	screw	vis		

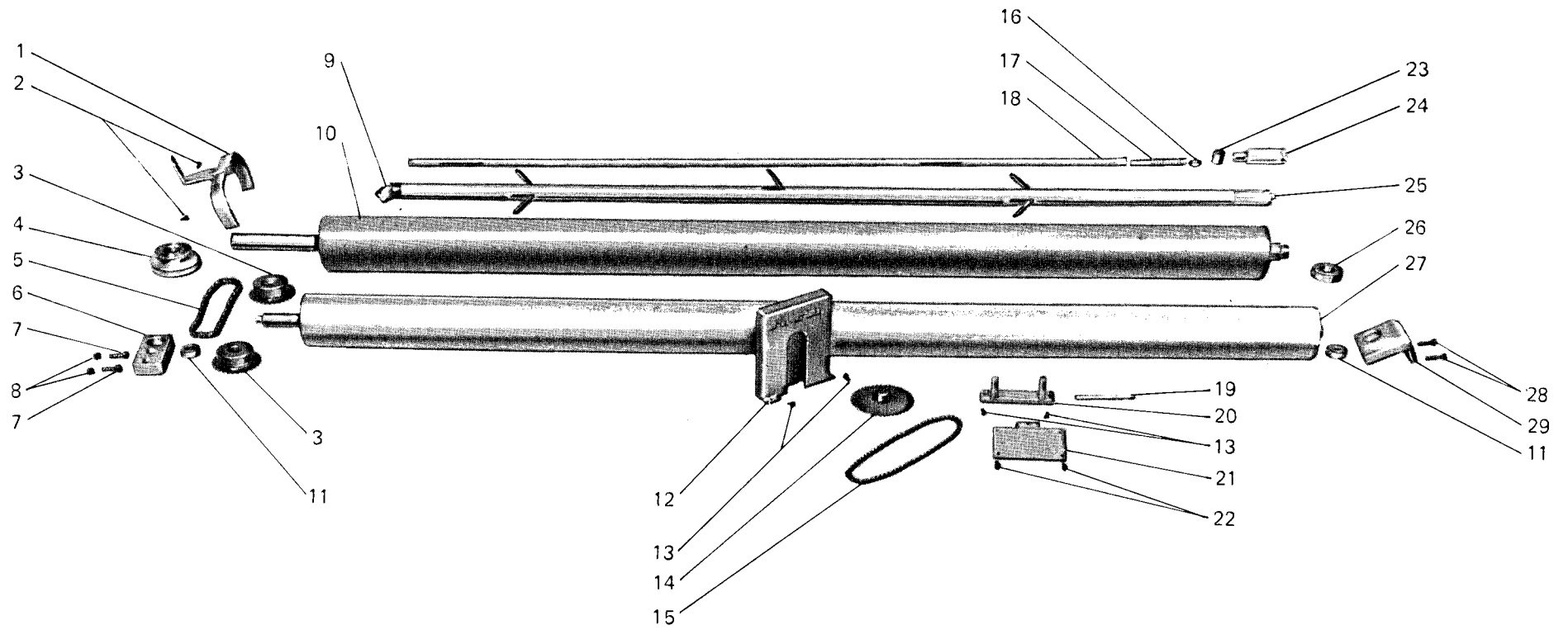


Fig. N. Abb. N.	Part. N. Bestell N. Piese N. Pieza N.	Qt. Anzahl	DESCRIZIONE	DESCRIPTION	DESCRIPTION	BENENNUNG	DESCRIPCION
1	RPS-968/39	1	carter copri catena	cover	carter		
2	RPS-968/07	2	vite	screw	vis		
3	RPS-968/27	2	ingranaggio	gear	ingrenage		
4	RPS-968/25	1	puleggia con ingranaggio	pulley	poulie		
5	RPS-968/26	1	catena	chain	chaînette		
6	RPS-968/30	1	supporto sinistro	left support	support gauche		
7	RPS-968/170	2	vite	screw	vis		
8	RPS-968/171	2	dado	nut	écrou		
9	RPS-968/19	1	giunto cardanico	joint	joint		
10	RPS-968/17	1	cilindro gommato	cylinder	cylindre		
11	RPS-968/28	2	cuscinetto	bearing	coussinet		
12	RPS-968/33	1	protezione per catena	chain protection	protection chaînette		
13	RPS-968/07	2	vite	screw	vis		
14	RPS-968/34	1	ingranaggio per catena	gear	ingrenage		
15	RPS-968/35	1	catena per conta metri	chain	chaînette		
16	RPS-968/23	1	ghiera filettata	ring nut	collier		
17	RPS-968/21	1	vite per manopola	screw	vis		
18	RPS-968/20	1	asta porta pinze	rod	tige		
19	RPS-968/38	1	perno per supporto	support pin	pivot pour support		
20	RPS-968/37	1	supporto porta piastra	support	support		
21	RPS-968/36	1	piastra per conta metri	plate	plaque		
22	RPS-968/07	4	vite	screw	vis		
23	RPS-968/22	1	distanziale	spacer	entretoise		
24	RPS-968/24	1	manopola di bloccaggio cartone	knob	poignée		
25	RPS-968/18	1	asta porta pezza arrotolata	rod	tige		
26	RPS-968/31	1	cuscinetto	bearing	coussinet		
27	RPS-968/16	1	cilindro cromato	cylinder	cylindre		
28	RPS-968/172	2	vite	screw	vis		
29	RPS-968/29	1	supporto destro	right support	support droite		

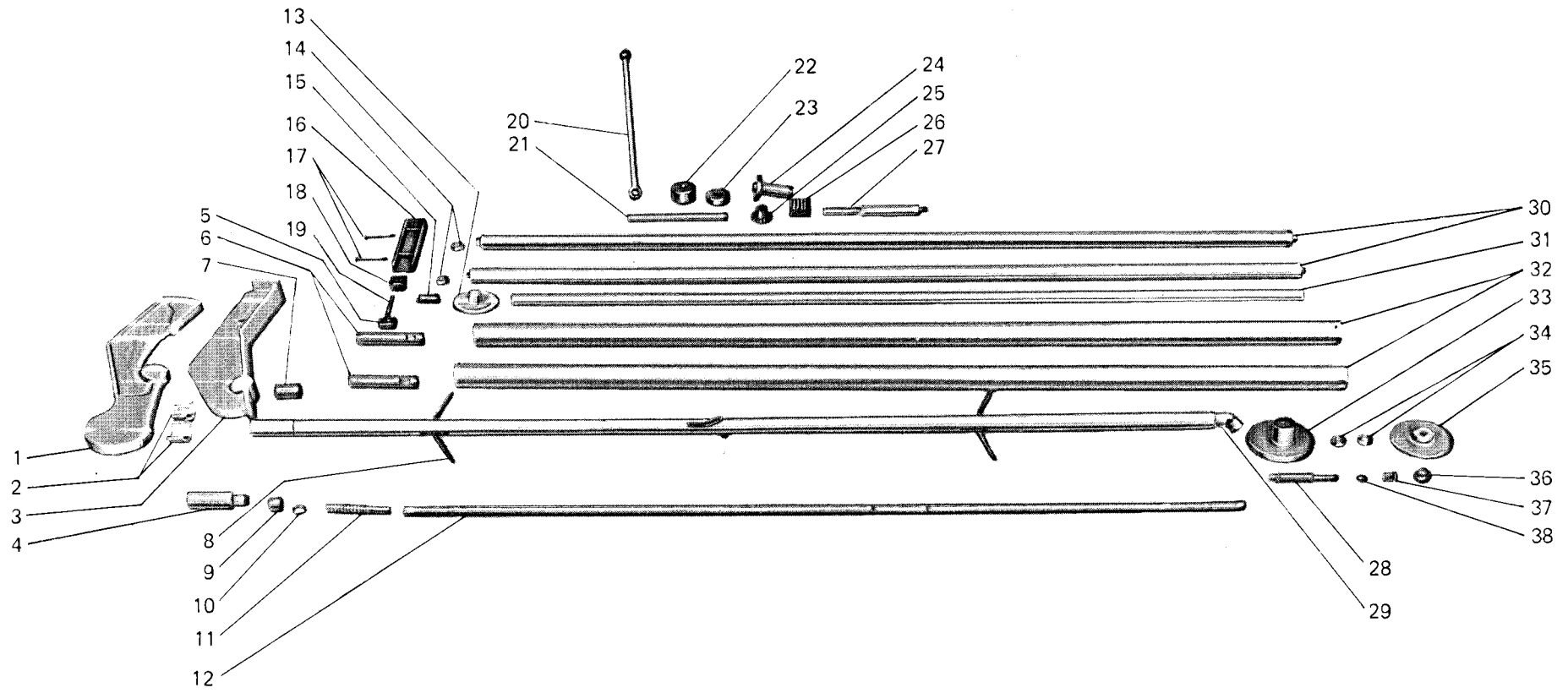


Fig. N. Abb. N.	Part. N. Bestell N. Piecze N. Pieza N.	Qt. Anzahl	DESCRIZIONE	DESCRIPTION	DESCRIPTION	BENENNUNG	DESCRIPCION
1	RPS-968/40	2	supporto	support	support		
2	RPS-968/76	1	bussola in Derling 100	bush	bage		
3	RPS-968/41	2	supporto	support	support		
4	RPS-968/48	1	maniglia	lever	levier		
5	RPS-968/74	1	slitta per eccentrico	eccentric slide	glissière pour excentrique		
6	RPS-968/43	4	perno per cilindro cromato	pin for cylinder	pivot pour cylindre		
7	RPS-968/47	4	cuscinetto assiale	bearing	coussinet		
8	RPS-968/53	6	pinze di chiusura	pliers	pince		
9	RPS-968/49	1	distanziale	spacer	entretoise		
10	RPS-968/50	1	ghiera filettata	ring nut	collier		
11	RPS-968/51	1	vite per maniglia	screw for lever	vis pour levier		
12	RPS-968/52	1	asta porta pinza	pliers rod	tige porte pince		
13	RPS-968/71	1	volantino	handwheel	volant		
14	RPS-968/70	4	cuscinetto	bearing	coussinet		
15	RPS-968/75	2	eccentrico	eccentric	excentrique		
16	RPS-968/44	2	supporto porta cilindri	support	support		
17	RPS-968/08	4	vite	screw	vis		
18	RPS-968/72	1	slitta porta cuscinetto	bearing slide	glissière porte coussinet		
19	RPS-968/73	1	vite per slitta	screw for slide	vis pour glissière		
20	RPS-968/67	1	maniglia	lever	levier		
21	RPS-968/68	1	perno per maniglia	pin for lever	pivot pour levier		
22	RPS-968/66	1	anello con sfera di fermo	ring	anneau		
23	RPS-968/65	1	anello di fermo	ring	anneau		
24	RPS-968/64	1	bussola	bush	bage		
25	RPS-968/69	1	bussola	bush	bage		
26	RPS-968/63	1	distanziale	spacer	entretoise		
27	RPS-968/62	1	albero per maniglia	shaft	arbre		
28	RPS-968/57	1	albero porta frizione	clutch shaft	arbre porte friction		
29	RPS-968/54	1	giunto cardanico	joint	joint		
30	RPS-968/45	2	cilindroguida tessuto	cylinder	cylindre		
31	RPS-968/46	1	tubo di collegamento	pipe	tube		
32	RPS-968/42	2	cilindro cromato	cylindre	cylindre		
33	RPS-968/55	1	disco porta ferodo	disc	disque		
34	RPS-968/58	2	cuscinetto	bearing	coussinet		
35	RPS-968/56	1	disco frizione	clutch disc	disque friction		
36	RPS-968/61	1	pomoio di regolazione	knob	pommeau		
37	RPS-968/60	1	molla di pressione	spring	ressort		
38	RPS-968/59	1	rondella	washer	rondelle		

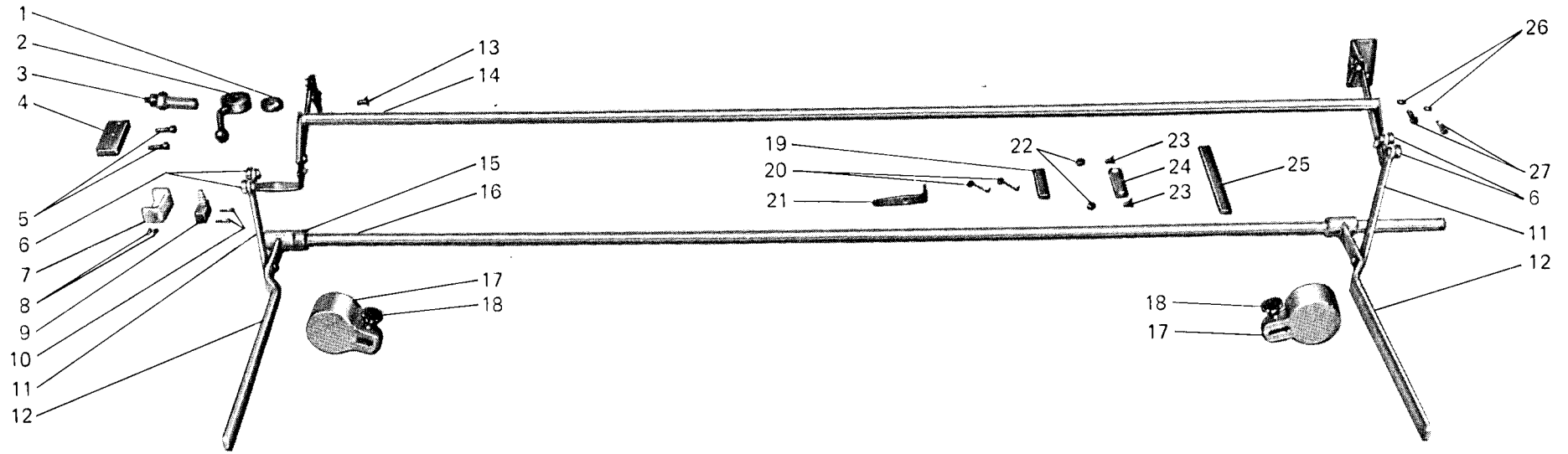


Fig. N. Abb. N.	Part. N. Bestell N. Pieze N. Pieza N.	Qt. Anzahl	DESCRIZIONE	DESCRIPTION	DESCRIPTION	BENENNUNG	DESCRIPCION
1	RPS-968/86	1	anello di fermo	ring	anneau		
2	RPS-968/85	1	maniglia alza cilindro	lever	levier		
3	RPS-968/84	1	perno per maniglia	pin for lever	pivot pour levier		
4	RPS-968/83	1	supporto	support	support		
5	RPS-968/03	2	vite	screw	vis		
6	RPS-968/93	4	cuscinetto	bearing	coussinet		
7	RPS-968/88	1	custodia per micro	cover	couvercle		
8	RPS-968/09	2	vite	screw	vis		
9	RPS-968/87	1	micro d'arresto	stopping micro	micro butée		
10	RPS-968/011	2	vite	screw	vis		
11	RPS-968/82	2	leva di pressione	lever	levier		
12	RPS-968/78	2	leva porta peso	lever	levier		
13	RPS-968/172	1	vite	screw	vis		
14	RPS-968/77	1	tubo	pipe	tube		
15	RPS-968/81	1	anello di fermo	ring	bague		
16	RPS-968/80	1	barra porta leva	lever bar	barre porte levier		
17	RPS-968/78	2	peso	weight	poids		
18	RPS-968/79	2	volantino fissaggio peso	handwheel	volant		
19	RPS-968/91	2	leva	lever	levier		
20	RPS-968/173	2	molletta	spring	ressort		
21	RPS-968/92	1	leva azionatr. micro d'arresto	lever	levier		
22	RPS-968/004	2	dado	nut	écrou		
23	RPS-968/12	2	vite testa svasata	screw	vis		
24	RPS-968/90	2	leva mobile	movable lever	levier mobile		
25	RPS-968/89	2	leva fissa	fixing lever	levier fixe		
26	RPS-968/94	2	rondella	washer	rondelle		
27	RPS-968/03	2	vite	screw	vis		

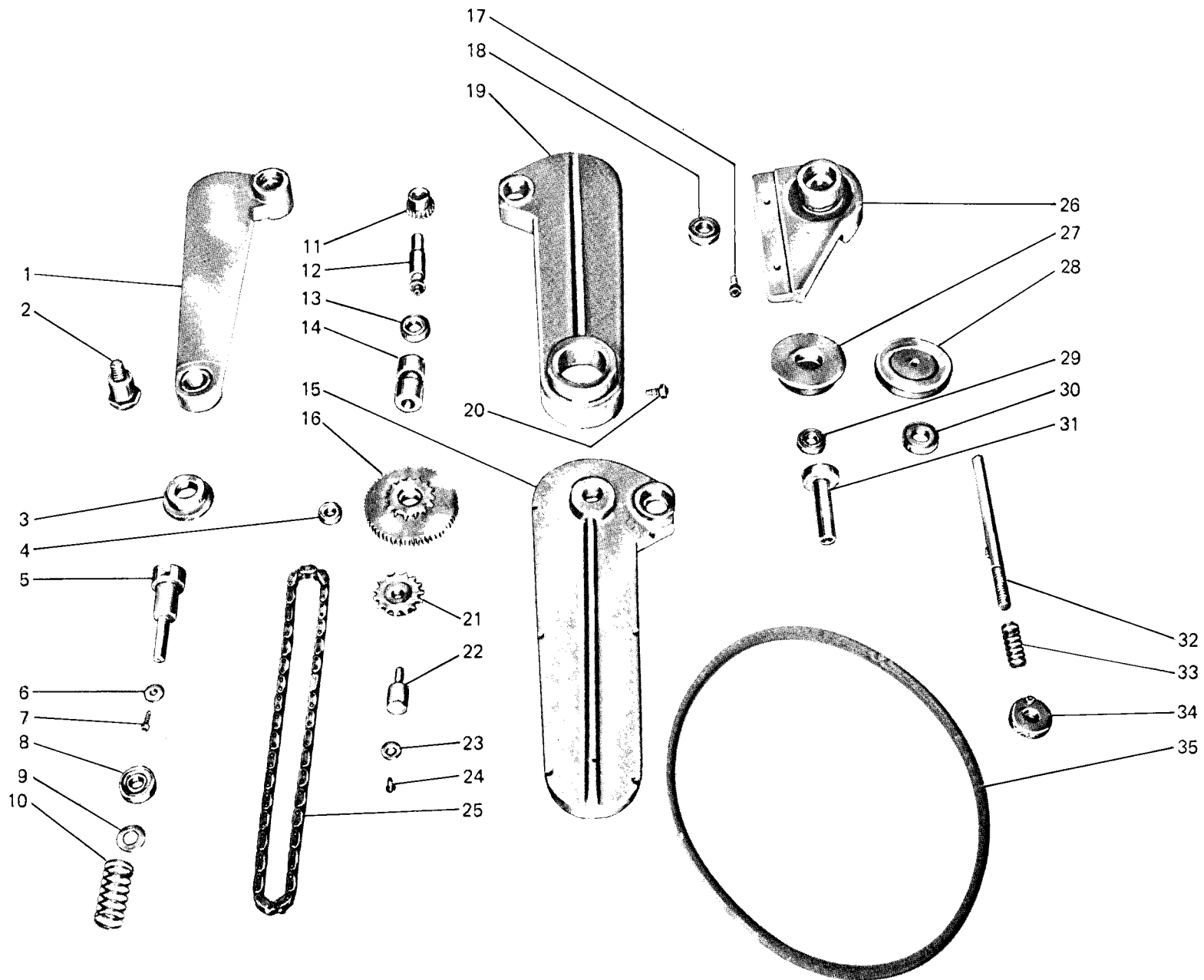


Fig. N. Abb. N.	Part. N. Bestell N. Piece N. Pieza N.	Qt. Anzahl	DESCRIZIONE	DESCRIPTION	DESCRIPTION	BENENNUNG	DESCRIPCION
1	RPS-968/98	1	braccio esterno	arm	bras		
2	RPS-968/120	1	vite a perno	screw	vis		
3	RPS-968/121	1	ghiera	ring nut	collier		
4	RPS-968/115	2	cuscinetto	bearing	coussinet		
5	RPS-968/122	1	perno con innesto	pin	pivot		
6	RPS-968/123	1	rondella	washer	rondelle		
7	RPS-968/07	1	vite	screw	vis		
8	RPS-968/124	2	cuscinetto	bearing	coussinet		
9	RPS-968/125	1	anello di pressione molla	ring	anneau		
10	RPS-968/126	1	molla	spring	ressort		
11	RPS-968/110	1	ingranaggio	gear	engrenage		
12	RPS-968/111	1	albero	shaft	arbre		
13	RPS-968/112	2	cuscinetto	bearing	coussinet		
14	RPS-968/113	1	giunto	joint	joint		
15	RPS-968/96	1	coperchio per semiscatola	cover	couvercle		
16	RPS-968/114	1	ingranaggio doppio	gear	engrenage		
17	RPS-968/03	2	vite	screw	vis		
18	RPS-968/108	2	cuscinetto	bearing	coussinet		
19	RPS-968/95	1	semiscatola	half-box	semi-boîte		
20	RPS-968/109	2	grano	screw	vis		
21	RPS-968/116	1	ingranaggio	gear	engrenage		
22	RPS-968/117	1	perno per ingranaggio	gear pin	pivot pour engrenage		
23	RPS-968/118	1	rondella	washer	rondelle		
24	RPS-968/07	1	vite	screw	vis		
25	RPS-968/119	1	catena	chain	chaînette		
26	RPS-968/97	1	supporto per scatola	support for box	support pour boîte		
27	RPS-968/100	1	disco frizione	clutch disc	disque friction		
28	RPS-968/99	1	disco con ferodo	disc	disque		
29	RPS-968/102	1	cuscinetto	bearing	coussinet		
30	RPS-968/103	1	cuscinetto	bearing	coussinet		
31	RPS-968/101	1	bussola	bush	bague		
32	RPS-968/104	1	albero per frizione	clutch shaft	arbre pour friction		
33	RPS-968/105	1	molla per frizione	clutch spring	ressort pour friction		
34	RPS-968/106	1	pomoio di regolazione	knob	pommeau		
35	RPS-968/107	1	cinghia	belt	courroie		

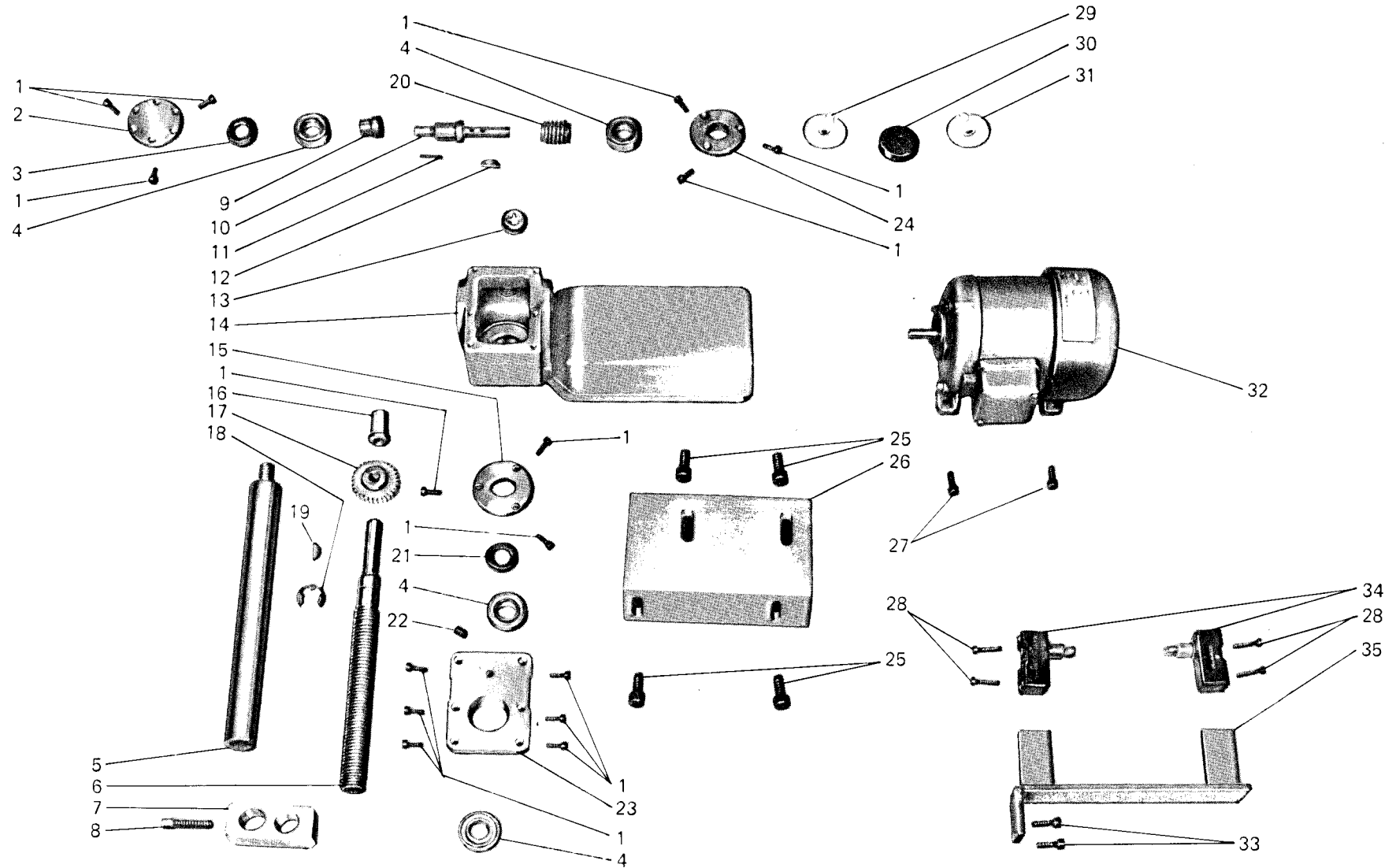


Fig. N. Abb. N.	Part. N. Bestell N. Pieze N. Pieza N.	Qt. Anzahl	DESCRIZIONE	DESCRIPTION	DESCRIPTION	BENENNUNG	DESCRIPCION
1	RPS-968-009	15	vite	screw	vis		
2	RPS-968/127	1	coperchietto	cover	couvercle		
3	RPS-968/128	1	anello di tenuta	retainer ring	bague d'étanchéité		
4	RPS-968/129	4	cuscinetto	bearing	coussinet		
5	RPS-968/142	1	perno	pin	pivot		
6	RPS-968/145	1	vite	screw	vis		
7	RPS-968/157	1	supporto	support	support		
8	RPS-968/158	1	vite	screw	vis		
9	RPS-968/130	1	bussola porta cuscinetto	bush	bague		
10	RPS-968/131	1	albero per vite senza fine	shaft for screw	arbre pour vis		
11	RPS-968/132	1	chiavetta	key	clavette		
12	RPS-968/133	1	chiavetta	key	clavette		
13	RPS-968/134	1	spia per olio	oil window	voyant huile		
14	RPS-968/140	1	corpo del riduttore	reduction unit body	corps du réducteur		
15	RPS-968/148	1	coperchietto	cover	couvercle		
16	RPS-968/143	1	bussola per cuscinetto	bush	bague		
17	RPS-968/144	1	ingranaggio riduttore	gear	engrenage		
18	RPS-968/147	1	anello	ring	anneau		
19	RPS-968/146	1	chiavetta	key	clavette		
20	RPS-968/135	1	vite senza fine	worm screw	vis sans fin		
21	RPS-968/149	1	anello di tenuta	retainer ring	bague d'étanchéité		
22	RPS-968/150	1	grano	screw	vis		
23	RPS-968/169	1	coperchio riduttore	reduction unit cover	couvercle réducteur		
24	RPS-968/136	1	coperchietto	cover	couvercle		
25	RPS-968/151	4	vite	screw	vis		
26	RPS-968/152	1	squadra	bracket	équerre		
27	RPS-968/156	4	vite	screw	vis		
28	RPS-968/011	4	vite	screw	vis		
29	RPS-968/137	1	semi-giunto	half-joint	semi-joint		
30	RPS-968/138	1	giunto	joint	joint		
31	RPS-968/139	1	semi-giunto	half-joint	semi-joint		
32	RPS-968/141	1	motore	motor	moteur		
33	RPS-968/155	2	vite	screw	vis		
34	RPS-968/153	2	micro interruttore	microswitch	micro-interrupteur		
35	RPS-968/154	1	squadretta	bracket	équerre		

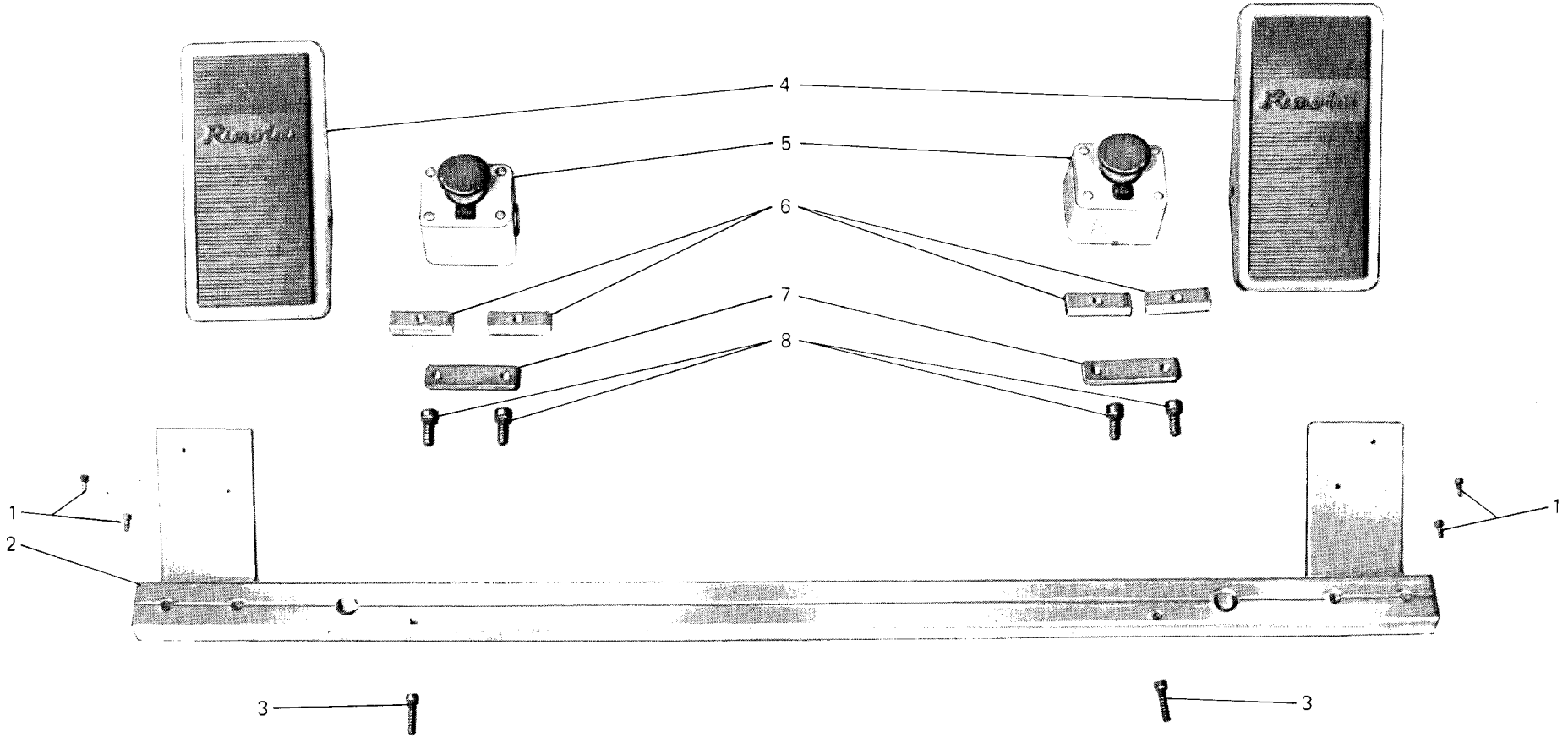


Fig. N. Abb. N.	Part. N. Bestell N. Piece N. Pieza N.	Qt. Anzahl	DESCRIZIONE	DESCRIPTION	DESCRIPTION	BENENNUNG	DESCRIPCION
1	RPS-968/07	4	vite	screw	vis		
2	RPS-968/162	1	traversa porta pedale	tie	traverse		
3	RPS-968/03	2	vite	screw	vis		
4	RPS-968/159	2	pedale	pedal	pédale		
5	RPS-968/160	2	interruttore	switch	interrupteur		
6	RPS-968/161	4	staffe per pedale	bracket	bride		
7	RPS-968/163	2	staffe	bracket	bride		
8	RPS-968/06	4	vite	screw	vis		

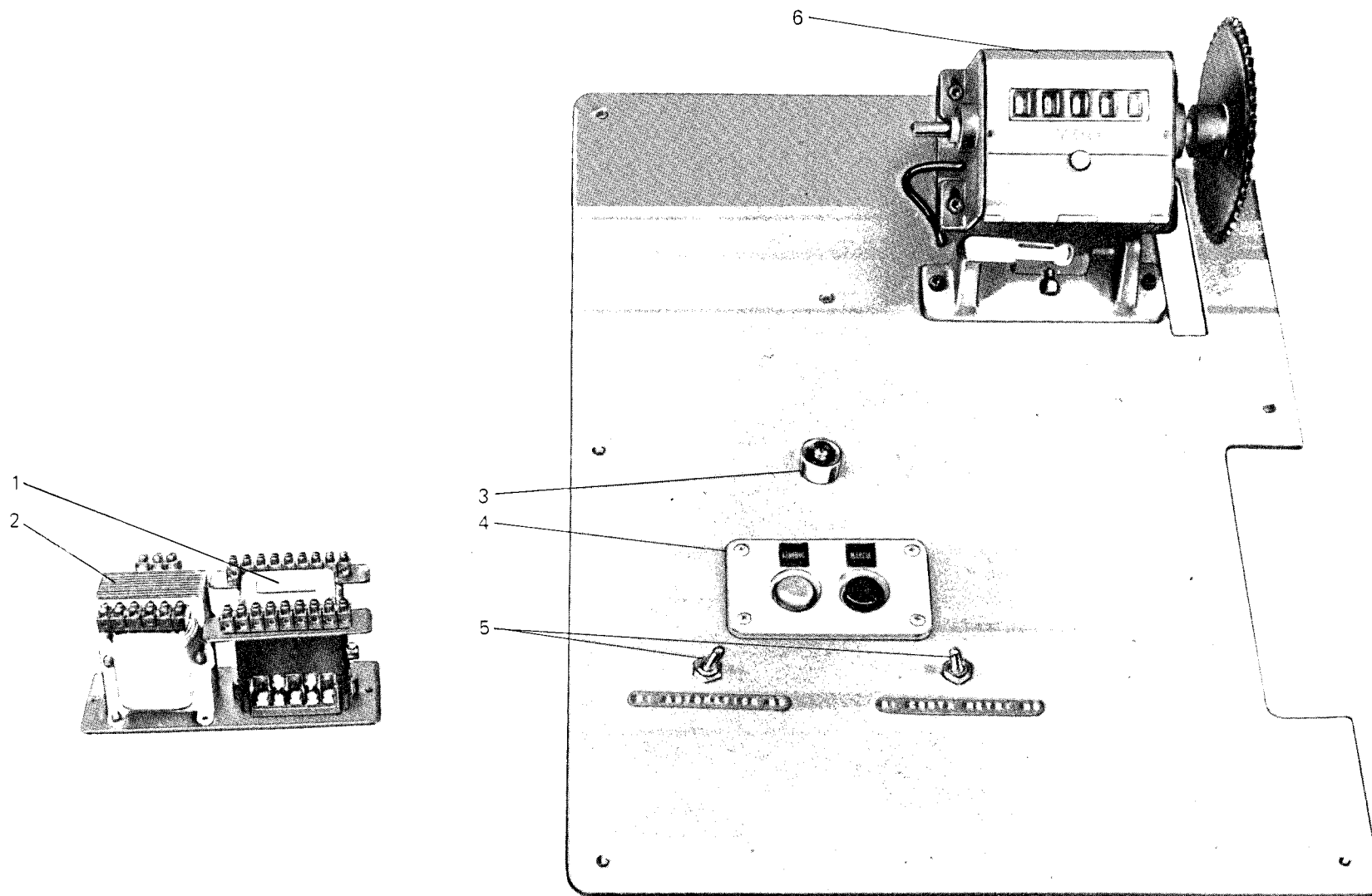


Fig. N. Abb. N.	Part. N. Bestell N. Piece N. Pieza N.	Qt. Anzahl	DESCRIZIONE	DESCRIPTION	DESCRIPTION.	BENENNUNG	DESCRIPCION
1	RPS-968/165	1	teleruttore	electromagnetic switch	télerupteur		
2	RPS-968/164	1	trasformatore	transformer	transformateur		
3	RPS-968/166	1	lampada spia	lamp	lampe		
4	RPS-968/167	1	interruttore marcia arresto	switch	interrupteur		
5	RPS-968/168	2	interruttore deviatore	switch	interrupteur		
6	RPS-968/32	1	contametri	counter	compteur		