

ARCHIVIO

CATALOGO PEZZI DI RICAMBIO
SPARE PARTS CATALOGUE
CATALOGUE RECHANGES
ERSATZTEILELISTE

CATALOGO PROVVISORIO

264-00-1MG-21

ALLEGARE AL CAT. 160

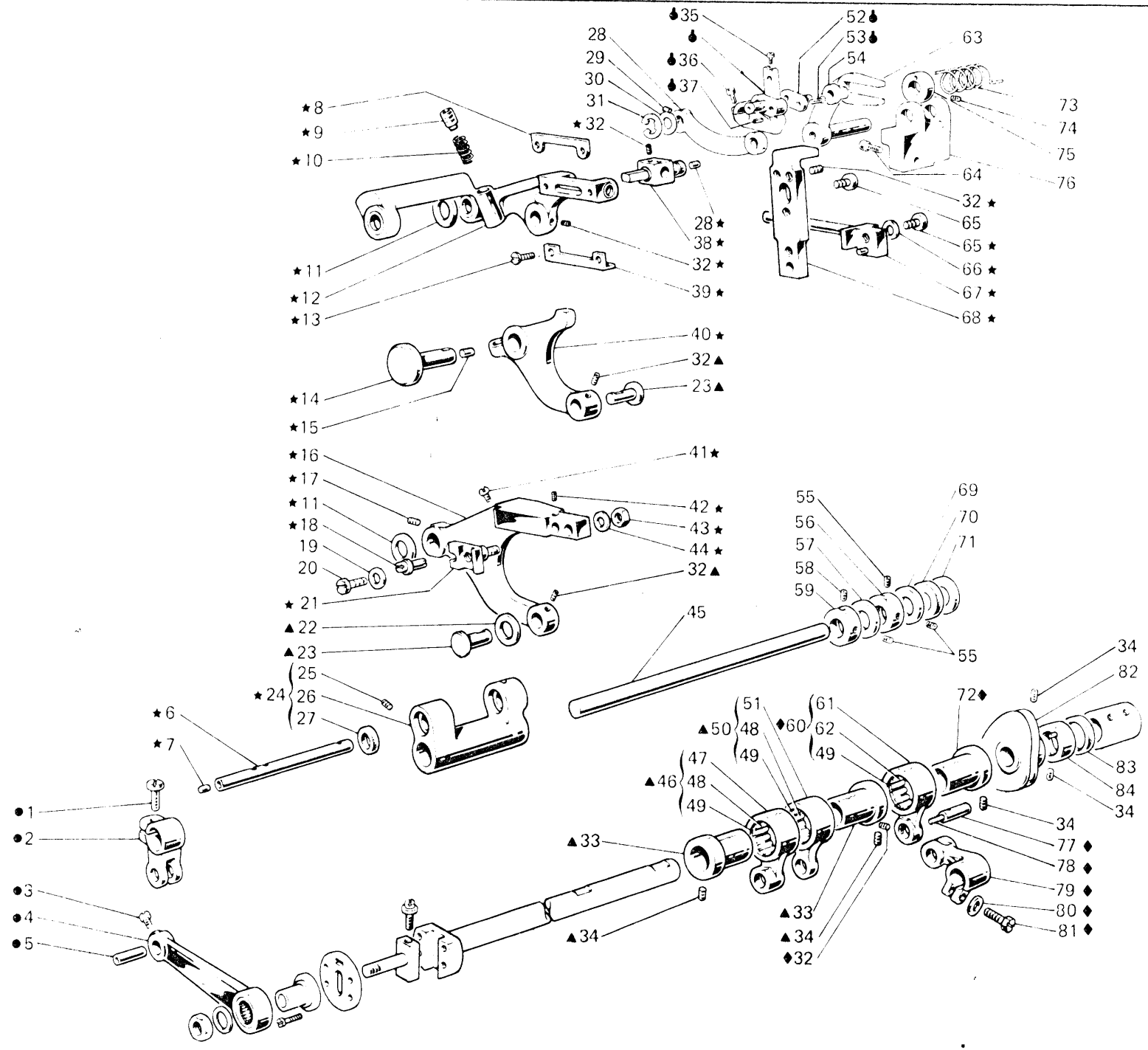


Fig. N. Abbt. N.	Part. N. Pezzo N. Bestell. N. Pozzu. N.	Qt. Anzahl	DESCRIZIONE	DESCRIPTION	DESCRIPTION	BENENNUNG	DESCRIPCION
▲	311787-5-00	1	gruppo porta griffa (con fig. ★)	feed dog holder group (with fig. ★)	groupe porte griffe (avec fig. ★)		
★	311786-4-00	1	gruppo porta griffa	feed dog holder group	groupe porte griffe		
●	308286-4-00	1	gruppo leva	lever group	groupe levier		
◆	310630-4-00	1	gruppo comando crochet	looper control assembly	groupe commande crochet		
♣	311782-3-00	1	manovella trasporto compl.	transport crank assembly	manivelle transport compl.		
1	202486-0-10	1	vite	screw	vis		
2	301519-2-11	1	attacco	coupling	raccord		
3	742813-0-00	1	vite	screw	vis		
4	308283-2-00	1	leva	lever	levier		
5	308285-0-00	1	perno	pin	pivot		
6	311783-2-00	1	perno con tappo	pin with plug	pivot avec bouchon		
7	301608-0-00	1	tappo	plug	bouchon		
8	310560-0-00	1	piastrina superiore	upper plate	plaque supérieure		
9	310569-0-00	1	vite	screw	vis		
10	310568-0-00	1	molla	spring	ressort		
11	309560-0-00	3	rondella	washer	rondelle		
12	310554-2-00	1	braccio con bussole	arm with bush	bras avec bague		
13	741722-2-00	2	vite	screw	vis		
14	310556-2-00	1	perno con tappo	pin with plug	pivot avec bouchon		
15	202468-0-10	1	tappo	plug	bouchon		
16	310575-0-00	1	braccio porta griffa	feed dog arm	bras porte-griffe		
17	745815-2-00	1	vite	screw	vis		
18	304612-0-10	1	perno eccentrico	eccentric pin	pivot excentrique		
19	704406-0-00	1	rondella	washer	rondelle		
20	304684-0-10	1	vite fiss. griffa inf.	screw fixing lower feed dog	vis fixe griffe inférieur		
21	304616-0-11	1	squadretta porta griffa	bracket	équerre		
22	704819-0-00	1	rondella	washer	rondelle		
23	310585-0-00	2	perno	pin	pivot		
24	310580-4-01	1	supporto oscillante compl.	oscillating support assembly	support coulissant compl.		
25	729013-2-00	2	vite	screw	vis		
26	310579-2-00	1	supporto oscillante	oscillating support	support coulissant		
27	308190-0-00	2	anello di tenuta	retainer ring	bague d'étanchéité		
28	310573-2-00	1	giunto con tappo	joint with plug	joint avec bouchon		
29	311253-0-00	1	tappo	plug	bouchon		
30	704824-0-00	1	rondella	washer	rondelle		
31	700209-0-00	1	anello elastico	spring ring	anneau ressort		
32	745800-2-00	9	vite	screw	vis		
33	310588-2-00	2	eccentrico con viti	eccentric with screw	excentrique avec vis		
34	727215-0-00	9	vite	screw	vis		
35	741413-0-00	1	vite	screw	vis		
36	744332-2-00	1	vite	screw	vis		
37	707210-0-00	1	spina elastica	split pin	goupille réglable		
38	310558-2-01	1	perno	pin	pivot		
39	310559-0-00	1	piastrina inferiore	lower plate	plaque inférieure		
40	310555-0-00	1	forcella	fork	fourche		
41	741445-0-00	1	vite	screw	vis		
42	745812-2-00	1	vite	screw	vis		
43	746407-2-00	1	dado	nut	écrou		
44	704226-2-00	1	rondella	washer	rondelle		

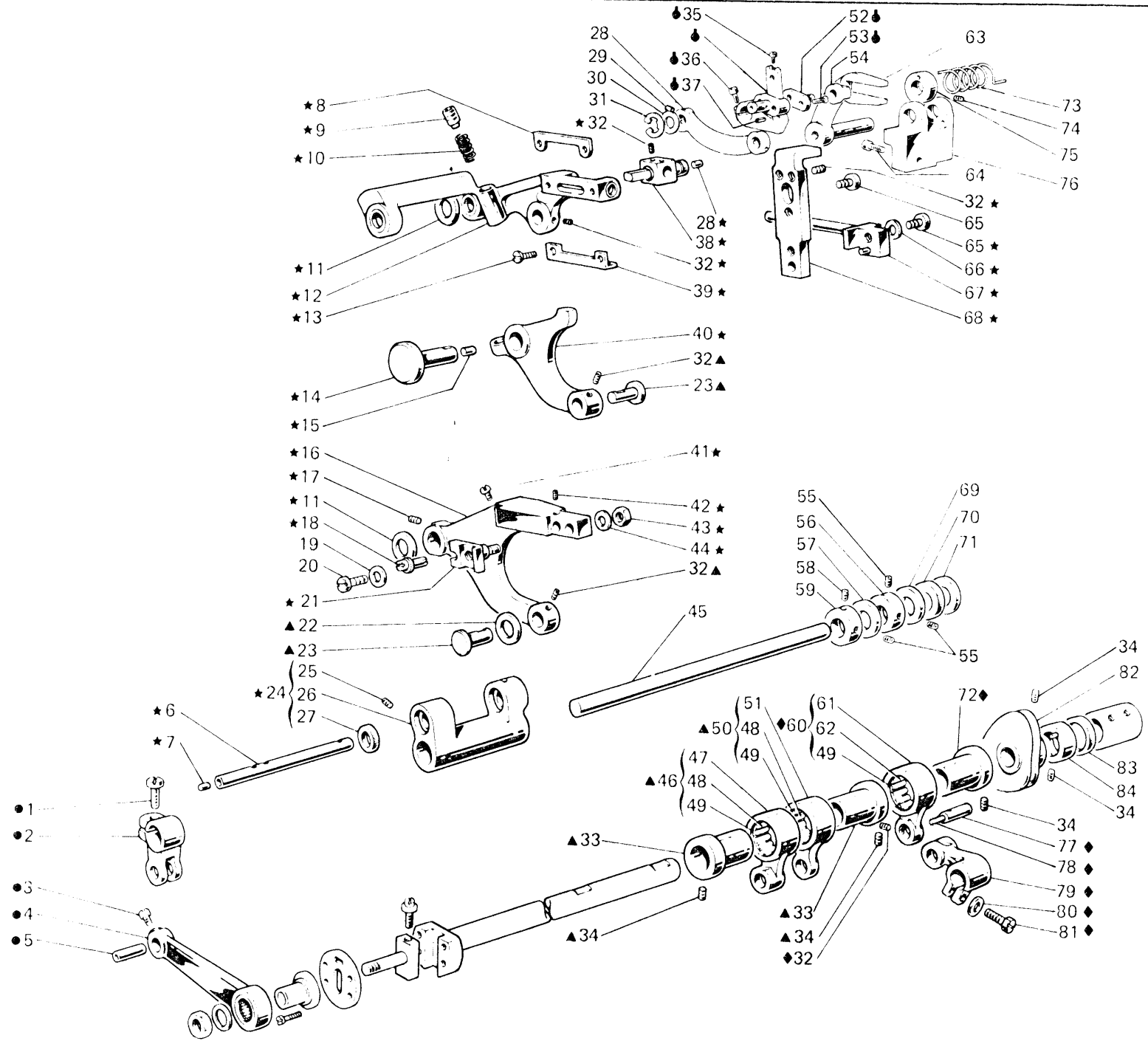


Fig. N. Abb. N.	Part. N. Bestell. N. Pieça N.	Qt. Anzahl	DESCRIZIONE	DESCRIPTION	DESCRIPTION	BENENNUNG	DESCRIPCION
45	308289-2-00	1	perno	pin	pivot		
46	310597-4-00	1	giunto completo	joint assembly	joint complet		
47	310593-0-00	1	giunto	joint	joint		
48	310583-0-00	2	gabbia a rullini	needles cage	cage à aiguilles		
49	201143-0-10	6	anello di tenuta	retainer ring	bague d'étanchéité		
50	310598-4-00	1	giunto completo	joint assembly	joint complet		
51	310594-0-00	1	giunto	joint	joint		
52	311781-4-00	1	piastrina cursore	slider plate	plaque curseur		
53	927619-0-00	2	vite	screw	vis		
54	311773-0-00	1	pattino	sliding block	patin		
55	745136-2-00	3	vite	screw	vis		
56	309838-2-00	1	anello di registro con viti	adjustment ring with screw	bague de réglage avec vis		
57	704846-0-00	1	rondella	washer	rondelle		
58	728232-0-00	1	vite	screw	vis		
59	309839-2-00	1	anello di registro con viti	adjustment ring with screw	bague de réglage avec vis		
60	310599-4-00	1	giunto completo	joint assembly	joint complet		
61	310595-0-00	1	giunto	joint	joint		
62	310584-0-00	1	gabbia a rullini	needles cage	cage à aiguilles		
63	311774-0-00	1	forcella	fork	fourche		
64	722432-2-00	1	vite	screw	vis		
65	722411-2-00	2	vite	screw	vis		
66	703005-0-00	1	rondella	washer	rondelle		
67	310557-2-10	1	albero porta griffa	shaft	arbre		
68	310615-2-00	1	piastrina	plate	plaque		
69	705029-0-00	1	rondella	washer	rondelle		
70	308287-0-00	1	anello di tenuta	retainer ring	bague d'étanchéité		
71	704347-0-00	1	rondella	washer	rondelle		
72	310589-2-00	1	eccentrico con viti	eccentric with screw	excentrique avec vis		
73	303041-0-11	1	molla	spring	ressort		
74	745014-2-00	1	vite	screw	vis		
75	303044-0-10	1	anello	ring	anneau		
76	311775-0-00	1	supporto	support	support		
77	307704-0-00	1	perno	pin	pivot		
78	778238-0-00	1	stoppino	wick	mèche		
79	310596-2-00	1	braccio	arm	bras		
80	704218-2-00	1	rondella	washer	rondelle		
81	300377-0-10	1	vite	screw	vis		
82	308971-3-00	1	tendifilo a camma con viti	cam thread take-up	tendeur du fil à came		
83	308119-0-00	1	anello di tenuta	retainer ring	bague d'étanchéité		
84	308967-2-00	1	anello limitatore	limiter ring	bague		
	<u>Tav. 4</u>		ANNULLATA	CANCELLED	ANNULEE		

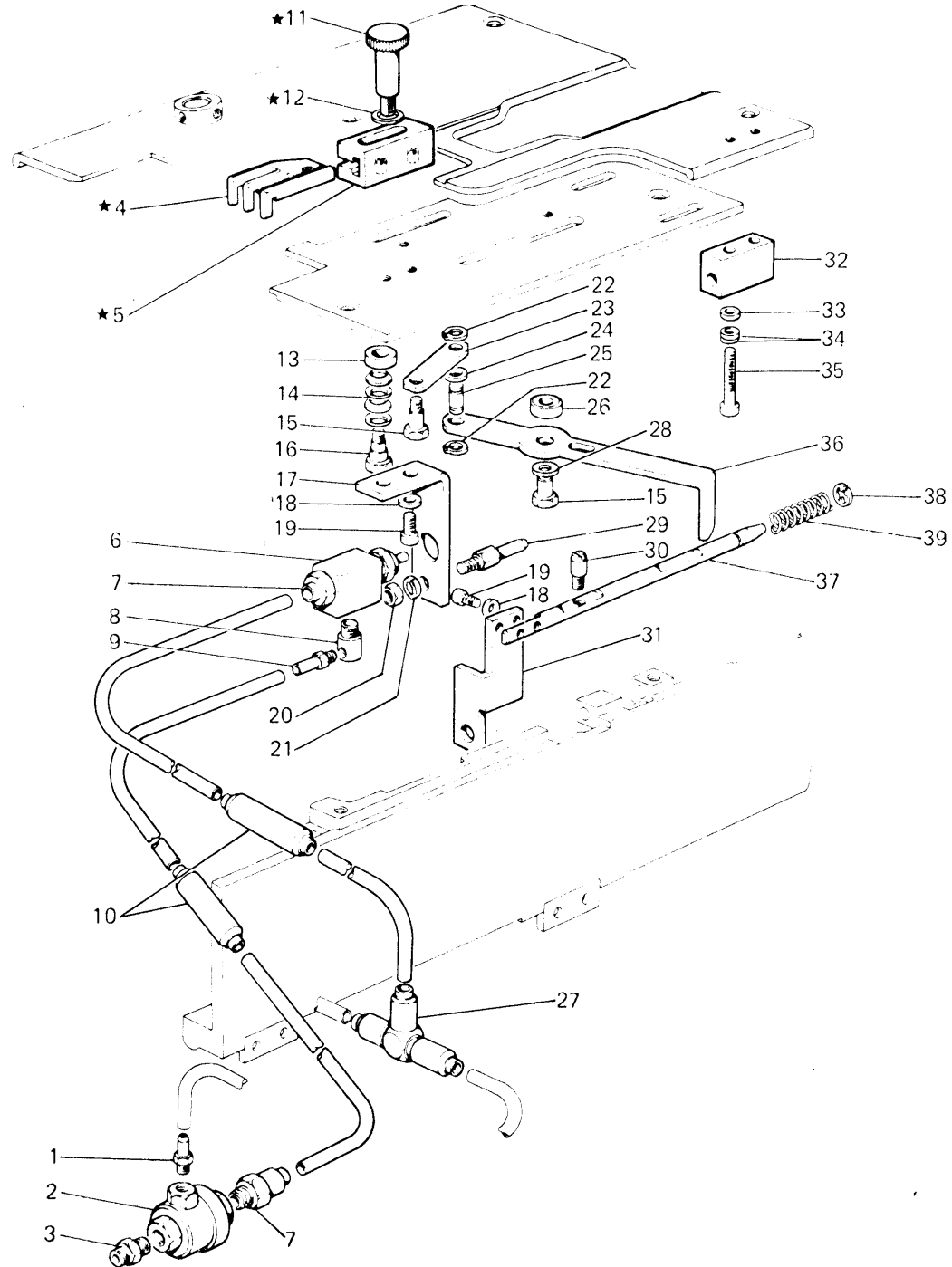
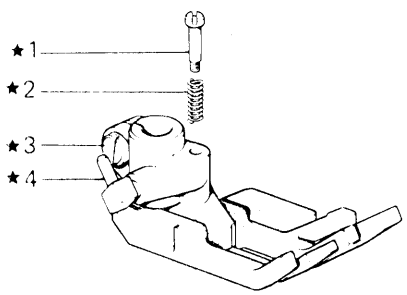


Fig. N. Abb. N.	Part. N. Bestell N. Piece N. Pieza N.	Ct. Anzahl	DESCRIZIONE	DESCRIPTION	DESCRIPTION	BENENNUNG	DESCRIPTION
★	942510-4-00	1	blocchetto completo	block assembly	bloc complet		
1	924870-0-10	1	raccordo	pipe connection	raccord		
2	941419-0-00	1	valvola scarico	valve	soupape		
3	923802-0-00	1	raccordo	pipe connection	raccord		
4	942512-0-00	1	guida	guide	guide		
5	942511-0-00	1	blocchetto	block	bloc		
6	940441-0-00	1	valvola a 3 vie	valve	soupape		
7	941503-4-00	2	raccordo	pipe connection	raccord		
8	940251-0-00	1	raccordo	pipe connection	raccord		
9	922836-0-00	1	raccordo	pipe connection	raccord		
10	941530-4-00	2	raccordo	pipe connection	raccord		
11	942513-0-00	1	pomolo	knob	pommeau		
12	704306-2-00	1	rondella	washer	rondelle		
13	942536-0-00	1	distanziale	spacer	entretoise		
14	702417-0-00	5	molla a tazza	cup spring	ressort à tasse		
15	942519-0-00	2	perno a vite	threaded pin	pivot à vis		
16	942516-0-00	1	perno a vite	threaded pin	pivot à vis		
17	942532-0-00	1	squadra	bracket	équerre		
18	703003-0-00	4	rondella elastica	spring washer	rondelle élastique		
19	722400-2-00	4	vite	screw	vis		
20	733505-2-00	1	dado	nut	écrou		
21	703005-0-00	1	rondella elastica	spring washer	rondelle élastique		
22	700206-0-00	2	anello elastico	spring ring	anneau ressort		
23	942535-0-00	1	piastrina	plate	plaque		
24	704006-0-00	1	rondella	washer	rondelle		
25	942518-0-00	1	perno	pin	pivot		
26	942537-0-00	1	distanziale	spacer	entretoise		
27	941538-4-00	1	raccordo a T	pipe connection	raccord		
28	702404-0-00	1	rondella	washer	rondelle		
29	942517-0-00	1	spina di guida	pin	goupille		
30	942530-0-00	1	perno	pin	pivot		
31	942531-0-00	1	squadra azionamento	bracket	équerre		
32	942533-0-00	1	blocchetto di fermo	block	bloc		
33	704004-0-00	2	rondella	washer	rondelle		
34	704302-4-00	4	rondella	washer	rondelle		
35	722460-2-00	2	vite	screw	vis		
36	942534-0-00	1	leva di azionamento	lever	levier		
37	942538-0-00	1	albero	shaft	arbre		
38	700208-0-00	1	anello elastico	spring ring	anneau ressort		
39	203909-0-10	1	molla	spring	ressort		



XOL

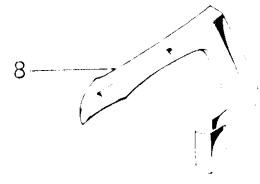
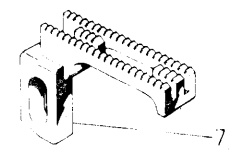
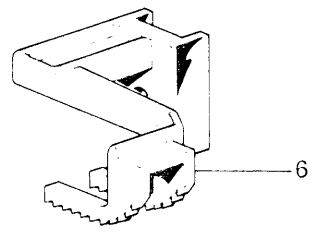
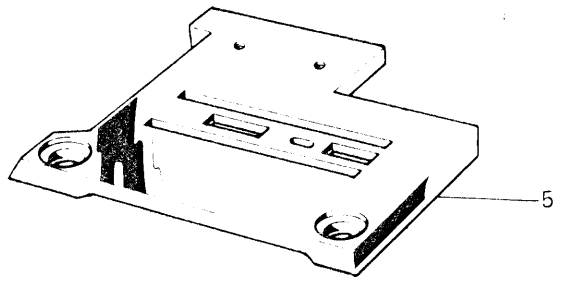


Fig. N. Abb. N.	Part. N. Bestell N. Piece N. Pieza N.	Qt. Anzahl	DESCRIZIONE	DESCRIPTION	DESCRIPTION	BENENNUNG	DESCRIPCION
★	942509-3-02	1	piedino completo	presserfoot assembly	pied-presseur complet		
1	310623-0-00	1	vite	screw	vis		
2	100893-0-09	1	molla	spring	ressort		
3	741722-2-00	1	vite	screw	vis		
4	944357-0-00	1	raccordo	pipe connection	raccord		
5	310656-0-00	1	placca ago	needle plate	plaque à aiguille		
6	310658-0-00	1	griffa superiore	upper feed dog	griffe supérieure		
7	310657-0-00	1	griffa inferiore	lower feed dog	griffe inférieure		
8	302057-0-12	1	crochet inferiore	lower looper	crochet inférieur		
9	785200-0-30	1	targhetta classe testa	head class plate	plaque classe tête		

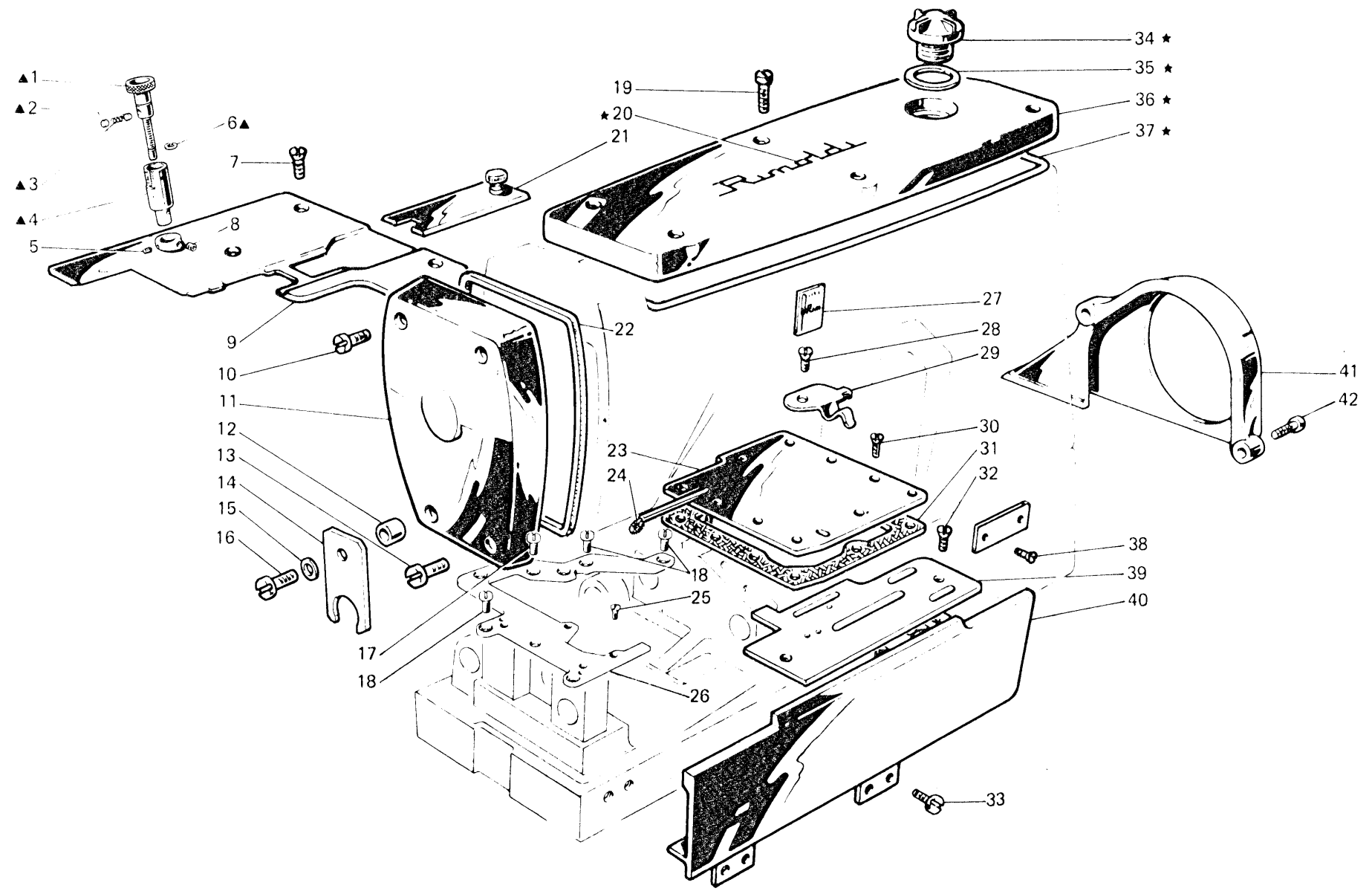


Fig. N. Abb. N.	Part. N. Piece N. Bastell. N. Pezzo N.	Qt. Anzahl	DESCRIZIONE	DESCRIPTION	DESCRIPTION	BENENNUNG	DESCRIPCION
▲	311779-4.00	1	gruppo regol. trasp. griffa sup.	upper feed dog transport ass.	groupe transport griffe sup.		
★	308103-4.10	1	coperchio superiore completo	upper cover assembly	couvercle supérieur compl.		
1	311779-4.00	1	pomolo	knob	pommeau		
2	943453-0.00	2	pastiglie	plug	bouchon		
3	943455-0.00	1	molla	spring	ressort		
4	311778-0.01	1	cannotto	column	fourche		
5	745812-2.00	1	vite	screw	vis		
6	700209-0.00	1	anello elastico	spring ring	anneau ressort		
7	744636-2.00	3	vite	screw	vis		
8	730022-2.00	1	vite	screw	vis		
9	942514-2.00	1	piano di lavoro	working plate	plan de travail		
10	302354-0.10	2	vite superiore	upper screw	vis supérieure		
11	308101-2.00	1	coperchio laterale	side cover	couvercle latéral		
12	943148-0.00	1	distanziale	spacer	entretoise		
13	302353-0.10	1	vite inferiore	lower screw	vis inférieure		
14	943147-0.00	1	piastrina	plate	plaque		
15	704518-2.00	1	rondella	washer	rondelle		
16	930282-0.10	1	vite	screw	vis		
17	742027-0.00	2	vite	screw	vis		
18	302355-0.10	5	vite per piastra	screw for plate	vis pour plaque		
19	742282-2.00	6	vite per coperchio	screw for cover	vis pour couvercle		
20	300006-0.11	2	decalcomania	decalcomania	décalcomanie		
21	309315-2.00	1	coperchio scorrevole	sliding cover	couvercle coulissant		
22	308128-0.00	1	guarnizione coperchio	cover gasket	garniture couvercle		
23	928595-4.10	1	piastra superiore	upper plate	plaque supérieure		
24	778409-0.00	1	stoppino	wick	mèche		
25	744730-0.00	2	vite per placca ago	screw for needle plate	vis pour plaque à aiguille		
26	928551-2.00	1	piastra porta placca	plate	plaque		
27	788131-0.01	1	decalcomania sistema aghi	needle decalcomania	décalcomanie syst. aiguille		
28	721474-2.00	1	vite	screw	vis		
29	309360-0.00	1	molla chiusura carter	spring	ressort		
30	741936-2.00	9	vite per piastra	screw for plate	vis pour plaque		
31	309323-0.00	1	guarnizione	gasket	garniture		
32	744656-2.00	2	vite	screw	vis		
33	300483-0.10	4	vite per cerniera	screw for hinge	vis pour charnière		
34	202239-0.10	1	cupolina	cup	coupole		
35	705970-0.00	1	guarnizione per cupolina	gasket	garniture		
36	308102-0.00	1	coperchio superiore	upper cover	couvercle supérieur		
37	308129-0.00	1	guarnizione per coperchio	gasket for cover	garniture pour couvercle		
38	202165-0.10	2	vite per targhetta	screw for plate	vis pour plaquette		
39	942515-0.00	1	piastra piano di lavoro	working plate	plaque plan de travail		
40	309185-3.00	1	carter anteriore completo	front cover assembly	carter avant complet		
41	308462-0.00	1	copricinghia per volant, Ø 85	belt cover for handwheel Ø 85	couvre-courroie pour volant Ø 85		
42	721475-2.00	2	vite	screw	vis		
	<u>Tav. 3</u>		ANNULLATA	CANCELLED	ANNULEE		