

Rimoldi®

CATALOGO PEZZI DI RICAMBIO
SPARE PARTS CATALOGUE
CATALOGUE RECHANGES
ERSATZTEILELISTE

EFN 727/ET

EDIZIONE - EDITION 7/82

n. 121

TAV. N. TAB. N.	DESCRIZIONE	DESCRIPTION	DESCRIPTION
1	MOTORE CORRENTE CONTINUA - RIDUTTORE		
2	FIANCATA LATO COMANDI - MOTORI CORRENTE ALTERNATIVA		
3	GRUPPO RUOTE ANTERIORI		
4	GRUPPO RUOTE POSTERIORI		
5	GRUPPO AVANTRENO CON SCIVOLI PER DISPOSITIVO TAGLIO		
6	RULLI DI ALIMENTAZIONE TESSUTO		
7	RULLI DI ALIMENTAZIONE TESSUTO		
8	PIASTRA SUPPORTO E TENDICINGHIA ALIMENTAZIONE TESSUTO		
9	GRUPPO PULEGGE REGOLAZIONE VELOCITA' DI ALIMENTAZIONE TESSUTO		
10	PINZA ANTERIORE PER DISPOSITIVO TAGLIO		
11	INGRANAGGI DI ALIMENTAZIONE RULLI SVOLGITORI		
12	GRUPPO TAGLIATORE		
13	SUPPORTO PORTA PEZZA		
14	BASAMENTO PER SUPPORTO PORTA PEZZA		
15	CARTER DI PROTEZIONE		
16	CARTER DI COPERTURA COMANDI E MOTORE		
17	APPINZATORE TESSUTO		
18	GRUPPO BLINDO SBARRA		
19	QUADRO ELETTRICO		
20	GRUPPO MICROINTERRUTTORI MARCIE- ARRESTO		
21	VARIATORE ALIMENTAZIONE TESSUTO		
22	PINZA ANTERIORE PER DISPOSITIVO ZIG-ZAG		
23	GRUPPO AVANTRENO PER DISPOSITIVO ZIG-ZAG		
24	PINZA POSTERIORE MOBILE PER DISPOSITIVO ZIG-ZAG		
25	SUPPORTO PER CARICAMENTO 2 ROTOLI		
26	DISPOSITIVO ZIG-TUB		
27	DISPOSITIVO ZIG-TUB		
28	DISPOSITIVO ZIG-TUB		
29	DISPOSITIVO S.A (SUPER ALIMENTATORE)		
30	DISPOSITIVO IMATIC		
31	DISPOSITIVO IMATIC		
32	CARICATORE "610"		
33	DISPOSITIVO TG (TORRETTA GIREVOLE)		
34	SUPPORTO SCORREVOLE PER PINZA ANTERIORE		
35	CARRELLO PORTA PERSONA "CARTO" PER 737 APPOGGIO AL PAVIMENTO		

PART. N.	TAV. N.	PART. N.	TAV. N.	PART. N.	TAV. N.	PART. N.	TAV. N.	PART. N.	TAV. N.
RFN Ashay BP F5B	1	RFN 10/150	1	RFN 12/009	28	RFN 12/094	2	RFN 12/170	28
RFN 270H 150	1	RFN 10/151	33	RFN 12/013	21	RFN 12/096	2	RFN 12/183	28
RFN 330H 100	3	RFN 10/156/1	33	RFN 12/018	3-4	RFN 12/097	2	RFN 12/185	28
RFN CS/608/Z	5-16-32-33	RFN 10/160	32-33	RFN 12/019/Sx	29	RFN 12/101	29	RFN 12/186	28
RFN 608/2Z	30	RFN 10/221/1	19	RFN 12/019/dx	29	RFN 12/109	29	RFN 12/187	28
RFN CS/2201/2RS	29	RFN 10/222/1	19	RFN 12/020	1	RFN 12/110	20	RFN 12/188	28
RFN UNI 5588	1	RFN 10/228	19	RFN 12/021	1	RFN 12/111	29	RFN 12/193	15
RFN UNI 5929	15	RFN 10/234	19	RFN 12/023	21	RFN 12/112	29	RFN 12/194	15
RFN CS/6000/2RS	18	RFN 10/248	35	RFN 12/024	21	RFN 12/113	29	RFN 12/195	15
RFN CS/6000/2Z	10-13-22	RFN 10/800	35	RFN 12/025	21	RFN 12/114	29	RFN 12/214/1	19
RFN 6004	3-4	RFN 10/803/1	35	RFN 12/032	2	RFN 12/115	29	RFN 12/217/a	16
RFN 6000/RS	21	RFN 10/803/2	35	RFN 12/036	1	RFN 12/124/a	29	RFN 12/232	1
RFN 6004/2RS	3-4-11-30	RFN 10/804	35	RFN 12/036	1	RFN 12/124/G	29	RFN 12/235	5
RFN 6004/2Z	31	RFN 10/805	35	RFN 12/049	3-4	RFN 12/125	29	RFN 12/237	1
RFN 6007	30	RFN 10/806	35	RFN 12/050	3-4	RFN 12/126	29	RFN 12/238	29
RFN 6200/2RS	34	RFN 10/808	35	RFN 12/052	4	RFN 12/127	5	RFN 12/241	9
RFN 6200/2Z	33-35	RFN 10/808/a	35	RFN 12/053	3	RFN 12/128	5	RFN 12/243	29
RFN-CS/6201/z	6-7-12-13	RFN 10/809	35	RFN 12/054	3-4	RFN 12/129	5	RFN 12/246	21
RFN CS/6202/NR	21	RFN 10/818	35	RFN 12/055	3-4-26	RFN 12/130	5	RFN 12/247	9
RFN CS/6202/2RS	12	RFN 10/818/1	35	RFN 12/056	3-4	RFN 12/131	5	RFN 12/248	21
RFN CS/6202/Z	8-2-21-28	RFN 10/819	35	RFN 12/057	3-4	RFN 12/133	29	RFN 12/252	2
RFN CS/6202/2Z	30	RFN 10/819/1	35	RFN 12/058	3-4	RFN 12/134	29	RFN 12/253	2
RFN CS/7204	12	RFN 10/820	35	RFN 12/065	2-8	RFN 12/153	9	RFN 12/256	21
RFN 08/105	10	RFN 10/821	35	RFN 12/066	2	RFN 12/154/1	9	RFN 12/259	9
RFN 08/106	10	RFN 10/822	35	RFN 12/069	15	RFN 12/154/2	9	RFN 12/300	1
RFN 08/107	10	RFN 10/823	35	RFN 12/071	2	RFN 12/154/3	9	RFN 12/301	1
RFN 08/108	10	RFN 10/850	37	RFN 12/072	2	RFN 12/155	9	RFN 12/302/1	19
RFN 08/120	10	RFN 10/853	37	RFN 12/073	2	RFN 12/156	9	RFN 12/303	1
RFN 08/122	10	RFN 10/854	37	RFN 12/074	2	RFN 12/157	9	RFN 12/312/1	19
RFN 09/058/1	27	RFN 10/855	37	RFN 12/075	2	RFN 12/158	9	RFN 12/313	19
RFN 09/078	10-22	RFN 10/856	37	RFN 12/076	2	RFN 12/160	9-21	RFN 12/315	19
RFN 09/086	22-24	RFN 10/857	37	RFN 12/080	2	RFN 12/162	9-21	RFN 12/317	19
RFN 09/089	5	RFN 10/858	37	RFN 12/085	1	RFN 12/167	21	RFN 12/318/1	19
RFN 09/090	5	RFN 10/859	37	RFN 12/086	1	RFN 12/168	21	RFN 12/319	19
RFN 09/091	5	RFN 10/860	37	RFN 12/087	1-9	RFN 12/169	21	RFN 12/330	5
RFN 09/061/A	5	RFN 10/864	37	RFN 12/089	1	RFN 12/170	21	RFN 12/401	2-20-14
RFN 09/116	22-24	RFN 10/865	36-37	RFN 12/090	2	RFN 12/171	21		36-37
RFN 10/034	30	RFN 10/867	36-37	RFN 12/091	2	RFN 12/174	28	RFN 12/402	18-20
RFN 10/035	30	RFN 10/869	36-37	RFN 12/092/d	2	RFN 12/176	28	RFN 12/403	20
RFN 10/036	30	RFN 10/870	37	RFN 12/092/6	2	RFN 12/177	28	RFN 12/404	20
RFN 10/117	32-33	RFN 10/871	37	RFN 12/093	2	RFN 12/178	28	RFN 12/405	20

PART. N.	TAV. N.	PART. N.	TAV. N.	PART. N.	TAV. N.	PART. N.	TAV. N.	PART. N.	TAV. N.
RFN 12/406	5	RFN 12/580	18	RFN 13/045/1	16	RFN 14/031	11	RFN 14/077	5
RFN 12/428	24	RFN 12/ 582	18	RFN 13/501	24	RFN 14/032	11	RFN 14/079	15
RFN 12/500	18	RFN 12/584	18	RFN 13/502	24-34	RFN 14/033	11	RFN 14/080	15
RFN 12/508	18	RFN 12/585	18	RFN 13/503	24	RFN 14/035	2	RFN 14/082	5
RFN 12/509/1	18	RFN 12/586	18	RFN 13/505	24	RFN 14/037	11	RFN 14/083	5
RFN 12/510	18	RFN 12/587	18	RFN 13/506	24	RFN 14/038	11	RFN 14/084/1	5
RFN 12/511	18	RFN 12/588	18	RFN 13/508	24	RFN 14/039	11	RFN 14/085/1	5
RFN 12/512	18	RFN 12/589	18	RFN 13/509	24	RFN 14/040	11	RFN 14/086	11
RFN 12/513	18	RFN 12/591	18	RFN 13/510	24	RFN 14/041	15	RFN 14/087	17
RFN 12/516	18	RFN 13/001	5	RFN 13/511	24	RFN 14/042	15	RFN 14/100	14
RFN 12/517	18	RFN 13/002	5	RFN 13/513	24	RFN 14/044	19	RFN 14/101	14
RFN 12/518/1	12	RFN 12/003/g	23	RFN 13/517	24	RFN 14/044/1G	19	RFN 14/102	14
RFN 12/518/1G	12	RFN 13/004	27	RFN 13/518	24	RFN 14/047	5	RFN 14/103	2
RFN 12/519/1	12	RFN 13/008	5	RFN 13/519	24	RFN 14/048	5	RFN 14/104	2
RFN-12/520/1	12	RFN 13/009	5	RFN 13/520	24	RFN 14/049	17	RFN 14/106	13
RFN 12/521	12	RFN 13/010	5-23	RFN 13/521	24	RFN 14/050	17	RFN 14/107	13
RFN 12/522	12	RFN 13/011	5	RFN 13/522	24	RFN 14/051	17	RFN 14/108	13-25
RFN 12/523	12	RFN 13/012	23	RFN 14/001	2	RFN 14/052	17	RFN 14/109	13
RFN 12/524	12	RFN 12/014	23	RFN 14/002	1	RFN 14/053	17	RFN 14/110	13
RFN 12/525	12	RFN 12/015	23	RFN 14/003	11	RFN 14/054	17	RFN 14/111	13
RFN 12/526	12	RFN 13/016/1	23	RFN 14/004/1	33	RFN 14/055	17	RFN 14/112	13
RFN 12/527	12	RFN 13/017/1	23	RFN 14/004	7-13	RFN 14/056	17	RFN 14/113	13
RFN 12/528/1	12	RFN 13/018	23	RFN 14/005/1	33	RFN 14/058	17	RFN 14/114	13
RFN 12/530	12	RFN 13/020	23	RFN 14/005	6-13	RFN 14/059	17	RFN 14/115	13
RFN 12/531	12	RFN 13/022	21	RFN 14/010	11	RFN 14/060	17	RFN 14/116	13
RFN 12/532	12	RFN 13/023	21	RFN 14/011	7-11	RFN 14/061	17	RFN 14/117	13-25
RFN 12/533	12	RFN 13/024	21	RFN 14/013	21	RFN 14/062	17	RFN 14/118	13
RFN 12/534	12	RFN 13/025	21	RFN 14/014	21	RFN 14/063	17	RFN 14/119	13
RFN 12/535	12	RFN 13/026	21	RFN 14/015	21	RFN 14/064	5	RFN 14/120	13
RFN 12/536	12	RFN 13/027	21	RFN 14/018	11-21	RFN 14/065	5-16-31	RFN 14/121	13
RFN 12/538	12	RFN 13/028	21	RFN 14/019	2-14	RFN 14/066	5	RFN 14/122	14
RFN 12/539	12	RFN 13/030	21	RFN 14/020	2-14	RFN 14/066/A	5	RFN 14/124	2
RFN 12/540	12	RFN 13/031	21	RFN 14/021	2-14	RFN 14/067	17	RFN 14/124/A	13
RFN 12/542	12	RFN 13/032	23	RFN 14/022/1	8	RFN 14/067/a	17	RFN 14/150	33
RFN 12/543	12	RFN 13/033	5-23	RFN 14/023	8	RFN 14/070	2-15	RFN 14/151	33
RFN 12/544	12	RFN 13/034	15	RFN 14/025	8	RFN 14/072	5	RFN 14/152	33
RFN 12/545/g	12	RFN 13/036	21	RFN 14/026	11	RFN 14/073	15	RFN 14/153	33
RFN 12/546/1	12	RFN 13/037	21	RFN 14/027	11	RFN 14/074	18	RFN 14/154	33
RFN 12/547	12	RFN 13/038	21	RFN 14/028	11	RFN 14/075	15	RFN 14/155	33
RFN 12/578	18	RFN 13/039	18	RFN 14/029	11	RFN 14/075/1	18	RFN 14/156	33
RFN 12/579	18	RFN 13/043	16	RFN 14/030	11	RFN 14/076	5	RFN 14/157	33

INDICE - INDEX

PART. N.	TAV. N.	PART. N.	TAV. N.	PART. N.	TAV. N.	PART. N.	TAV. N.	PART. N.	TAV. N.
RFN 14/158	33	RFN 14/312	6-28	RFN 14/454	36	RFN 14/717	10	RFN 14/859	27
RFN 14/159	33	RFN 14/313	6	RFN 14/457	36	RFN 14/718	10	RFN 14/860	27
RFN 14/161	33	RFN 14/314	7	RFN 14/458	36	RFN 14/719	10	RFN 14/861	27
RFN 14/162	33	RFN 14/315	7	RFN 14/459	36	RFN 14/720	10	RFN 14/863	27
RFN 14/163	33	RFN 14/316	7	RFN 14/600	10-34	RFN 14/721	10	RFN 14/864	27
RFN 14/164	33	RFN 14/317	7	RFN 14/601	10-22	RFN 14/722	10	RFN 14/865	27
RFN 14/165	33	RFN 14/318	7	RFN 14/602	10-22	RFN 14/801	29	RFN 14/866	26
RFN 14/201/G	19	RFN 14/319	7	RFN 14/603	10-22	RFN 14/801/A	29	RFN 14/867	26
RFN 14/207/1	19	RFN 14/320	6	RFN 14/604	10-22	RFN 14/802	29	RFN 14/868	26
RFN 14/209	14	RFN 14/322	16	RFN 14/605	22	RFN 14/802/A	29	RFN 14/869	26
RFN 14/211/1	16	RFN 14/322/1	16	RFN 14/606	10-22	RFN 14/803	29	RFN 14/870	26
RFN 14/212/1	19	RFN 14/323	16	RFN 14/607	22	RFN 14/804	29	RFN 14/875	27
RFN 14/213/1	19	RFN 14/324	11	RFN 14/608	22	RFN 14/805	29	RFN 14/876	27
RFN 14/216/1	19	RFN 14/325	6	RFN 14/609	22	RFN 14/806	29	RFN 14/877	27
RFN 14/217/ 1	19	RFN 14/401	25	RFN 14/610	10-22	RFN 14/807	29	RFN 14/878	27
RFN 14/218/1	19	RFN 14/401/A	25	RFN 14/611	22	RFN 14/808	29	RFN 14/879	26
RFN 14/219/1	19	RFN 14/402	25	RFN 14/613	10-22	RFN 14/809	28-29	RFN 14/900	30
RFN 14/220/1	19	RFN 14/402/A	25	RFN 14/614	22-33	RFN 14/810	28	RFN 14/921	30
RFN 14/224/1	19	RFN 14/403	25	RFN 14/615	22-33	RFN 14/811	28	RFN 14/922	30
RFN 14/225/1	19	RFN 14/404	25	RFN 14/616	22	RFN 14/812	28	RFN 14/923	30
RFN 14/226/1	19	RFN 14/405	25	RFN 14/618	22	RFN 14/813	28	RFN 14/924	30
RFN 14/228	19	RFN 14/406	25	RFN 14/651	34	RFN 14/814	28	RFN 14/925	30
RFN 14/229	19	RFN 14/407	25	RFN 14/653	34	RFN 14/815	28	RFN 14/926	30
RFN 14/232/1	19	RFN 14/408	25	RFN 14/654	34	RFN 14/816	28	RFN 14/927	30
RFN 14/233/1	19	RFN 14/409	25	RFN 14/655	34	RFN 14/817	28	RFN 14/929	30
RFN 14/234/1	19	RFN 14/410	25	RFN 14/701	10	RFN 14/818	28	RFN 14/931	30
RFN 14/235	19	RFN 14/411	25	RFN 14/702	10	RFN 14/819	28	RFN 14/933	30
RFN 14/236	19-1	RFN 14/412	25	RFN 14/703	10	RFN 14/820	28	RFN 14/934	30
RFN 14/240	28	RFN 14/413	25	RFN 14/704	10	RFN 14/821	28	RFN 14/935	30
RFN 14/241	19	RFN 14/414	25	RFN 14/705	10	RFN 14/822	28	RFN 14/936	30
RFN 14/281/G	19	RFN 14/415	25	RFN 14/706	10	RFN 14/828	29	RFN 14/938	30
RFN 14/301	11-7	RFN 14/416	25	RFN 14/707	10	RFN 14/829	29	RFN 14/940	30
RFN 14/302	11	RFN 14/417	25	RFN 14/708/A	10	RFN 14/830	28	RFN 14/941	30
RFN 14/304	11-7	RFN 14/418	25	RFN 14/709	10	RFN 14/833	28	RFN 14/942	30
RFN 14/305	11	RFN 14/419	25	RFN 14/710	10	RFN 14/851	26	RFN 14/944	30
RFN 14/306	6-7	RFN 14/420	25	RFN 14/711	10	RFN 14/852	26	RFN 14/946	30
RFN 14/307	7	RFN 14/421	25	RFN 14/712	10	RFN 14/853	26	RFN 14/947	30
RFN 14/308	6-7	RFN 14/450	36	RFN 14/713	10	RFN 14/854	26	RFN 14/950	30
RFN 14/309	6	RFN 14/451	36	RFN 14/714	10	RFN 14/855	26	RFN 14/951	30
RFN 14/310	6-7	RFN 14/452	36	RFN 14/715	10	RFN 14/856	26	RFN 14/952	30
RFN 14/311	7	RFN 14/453	36	RFN 14/716	10	RFN 14/858	27	RFN 14/953	31

PART. N.	TAV. N.	PART. N.	TAV. N.	PART. N.	TAV. N.	PART. N.	TAV. N.	PART. N.	TAV. N.
RFN 14/954	31	RFN CR/20/327	21	RFN 99/012	5-18-21-27	RFN 99/234	1	RFN 99/543	35
RFN 14/970	31	RFN 98/009	24	RFN 98/013	10	RFN 99/244	24-26-30	RFN 99/544	30-31
RFN 14/971	31	RFN 98/010	22-29	RFN 99/014	16-28	RFN 99/245	5-33	RFN 99/554	2
RFN 14/972	31	RFN 98/011	7-10-17-28	RFN 99/015	18	RFN 99/261	32	RFN 99/554/S	2
RFN 14/976	31	RFN 98/012	29	RFN 99/021	15-18-22-	RFN 99/313	4	RFN 99/555	18
RFN 14/977	31	RFN 98/013	2-22		24	RFN 99/332	12	RFN 99/556	12
RFN 14/980	31	RFN 98/014	29	RFN 99/021	15-28-22-24	RFN 99/333	28	RFN 99/602	27
RFN 14/981	31	RFN 98/019	12	RFN 99/022	2-5-10-11-18	RFN 99/350/1	33	RFN 99/603	20-28-29
RFN 14/983	31	RFN 98/022	21-25		21-24-27	RFN 99/409/E	25	RFN 99/604	1-2-10-16
RFN 14/984	31	RFN 98/030	30	RFN 99/024	1-2-5-7-10-13	RFN 99/421/A	10		24-28-33
RFN 14/985	31	RFN 98/113	13-25		22	RFN 99/422/A	1	RFN 99/605	1-2-8-9-10
RFN 14/986	31	RFN 98/210	10	RFN 99/025	1-28	RFN 99/423/A	28		13-22-24-26
RFN 14/987	31	RFN 98/212	21	RFN 99/026	33	RFN 99/425/A	28		28-32-33
RFN 14/988	31	RFN 98/219	11-28	RFN 99/027	2-13	RFN 99/430/C	11	RFN 99/606	18-24
RFN 14/989	31	RFN 98/220	9	RFN 99/034	2-4-8-10-22	RFN 99/431/A	26	RFN 99/607	5-10-21-22
RFN 14/991	31	RFN 98/221	2-30		24	RFN 99/431/C	2		30-34
RFN 14/992	31	RFN 98/222	11-21	RFN 99/036	1-2-3-9-27-33	RFN 99/432	12	RFN 99/624	27
RFN 14/993	31	RFN 98/224	9-11	RFN 99/037	13	RFN 99/441/A	21	RFN 99/625	5-11-14-17-
RFN 14/994	31	RFN 98/232	30	RFN 99/038	1-29-32	RFN 99/442	32		18-21-25-27
RFN 14/995	31	RFN 98/234	2-9-21-26	RFN 99/044	26	RFN 99/442/C	7	RFN 99/626	1-2-10-11-13
RFN 20/000	32		32	RFN 14/069	2	RFN 99/503	27		18-21-22-33
RFN 20/002	32	RFN 98/304	5	RFN 12/088	1	RFN 99/504	27	RFN 99/627	1-2-3-4-5-9-
RFN 20/002/1	32	RFN 98/306	12	RFN 99/116	9-21	RFN 99/506	26-27-29		15-24-27-32
RFN 20/003	32	RFN 98/308/G	9-10-22-27	RFN 99/120	16	RFN 99/507	36		33-35
RFN 20/004	32		34	RFN 99/126	25-34	RFN 99/508	37-29	RFN 99/628	2-10-22-35
RFN 20/005	32	RFN 98/309	13-33	RFN 99/127	26-30	RFN 99/521	37	RFN 99/629	2
RFN 20/006	32	RFN 98/310	2-8-21-24	RFN 99/130	13-14	RFN 99/524	36	RFN 99/657	13
RFN 20/006/1	32		28	RFN 99/131	32	RFN 99/528	5	RFN 99/659	21
RFN 20/011	32	RFN 98/311	29	RFN 99/132	26	RFN 99/529	2-7-10-13	RFN 99/677	26
RFN 20/012	32	RFN 98/312	2	RFN 99/160	24		16	RFN 99/707	25
RFN 20/014	32	RFN 98/313	3-9-11-26	RFN 99/208	27	RFN 99/530	2-5-8-13-	RFN 99/716	24
RFN 20/014/1	32	RFN 98/314	28	RFN 99/210	6		14-15-24	RFN 99/803	5
RFN 20/015	32	RFN 98/316	1-2-9-26	RFN 99/127	11-21	RFN 99/531	2-9-10-22	RFN 99/812	17
RFN 20/016	32	RFN 98/319	9	RFN 99/218	7-12-14-20-21		24	RFN 99/813	10-15
RFN 20/017	32	RFN 98/329	21	RFN 99/225	20	RFN 99/531	2-9-10-22	RFN 99/817	27
RFN 20/018	32	RFN 98/414	35	RFN 99/228	18		24	RFN 99/908	21
RFN 20/019	32	RFN 98/415	13	RFN 99/229	9-10-11-21-29	RFN 99/532	2-5-6-7-10	RFN 99/909	1
RFN 20/021	32	RFN 98/416	2-8-21-28		30		16-21-22-24	RFN 99/916	5
RFN 20/024	32	RFN 98/419	3-4	RFN 99/231	2-11-28		33-37	RFN 99/928	1
RFN 20/025	32	RFN 99/011	2-5-11-14-17	RFN 99/232	12-33	RFN 99/541	33	RFN 99/929	1
RFN CR/20/307	21		25-29	RFN 99/233	10-22	RFN 99/542	32-33-34-35		

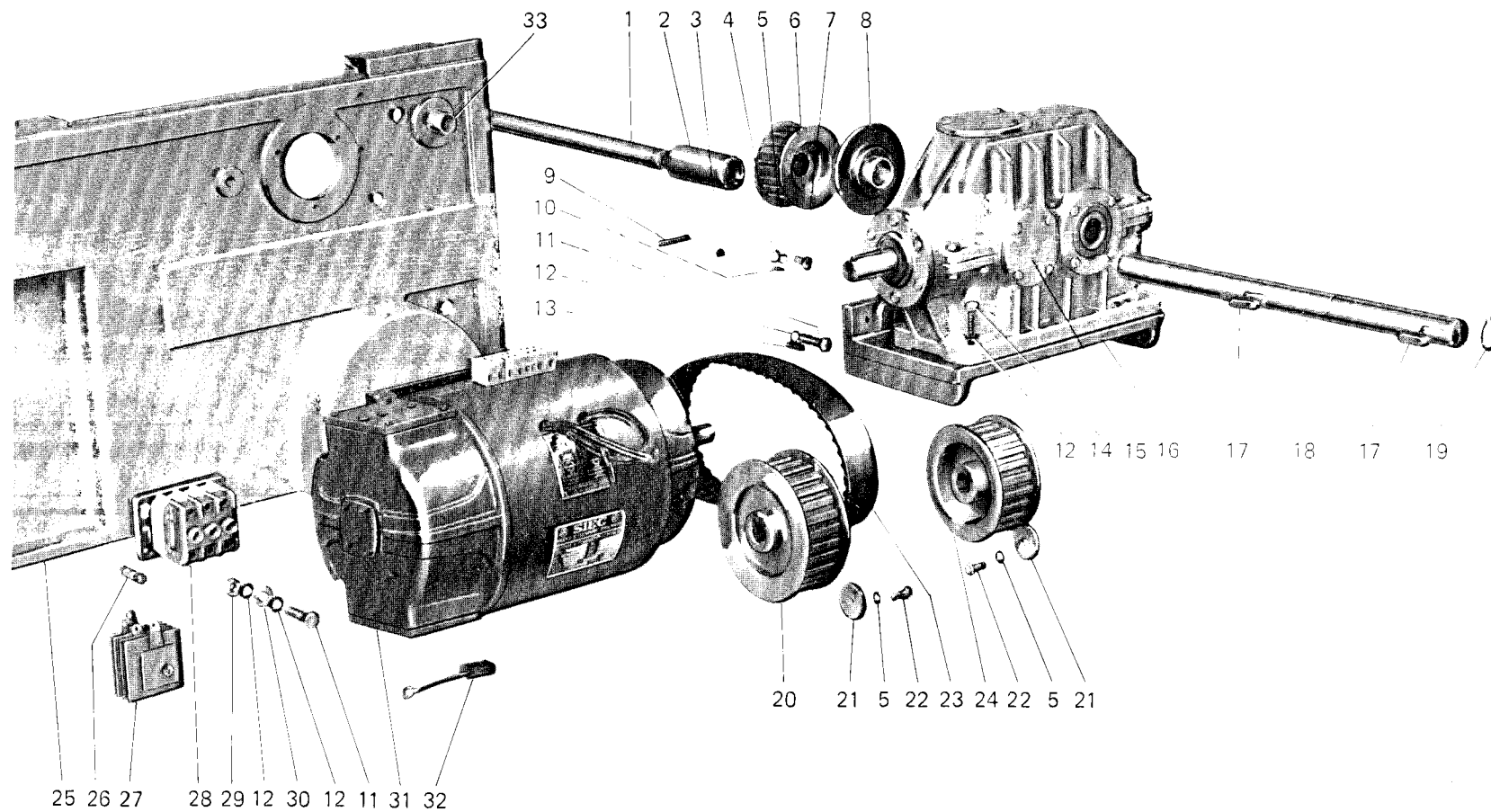


Fig. N. Abb. N.	Part. N. Bestell N. Piece N. Pieza N.	DESCRIZIONE
1	RFN 12/087	albero com.ruote anteriori
2	RFN 12/088	manicotto centr. colleg. alb.
3	RFN 99/422/A	grano CE
4	RFN 99/604	rondella
5	RFN 99/626	rondella
6	RFN 12/089	puleggia comando ruote ant.
7	RFN 99/024	vite
8	RFN Ashay BP F5B	flangia
9	RFN 99/929	spina conica
10	RFN 99/909	spina conica
11	RFN 99/038	vite
12	RFN 99/627	rondella
13	RFN 99/928	spina conica
14	RFN 99/036	vite
15	RFN 12/037	flangia
16	RFN 12/085	supporto per riduttore
17	RFN 99/234	chiavetta
18	RFN 12/086	albero com. ruote anter.
19	RFN 98/316	anello elastico
20	RFN 12/020	puleggia motore
21	RFN 12/237	rondella per fiss. pulegg.
22	RFN 99/025	vite
23	RFN 270H 150	cinghia dent.
24	RFN 12/021	puleggia riduttore
25	RFN 14/002	carter
26	RFN 12/301	fusibile 6x30 10A
27	RFN 14/236	reattanza
28	RFN 12/300	portavalvole
29	RFN UNI 5588	dado m8
30	RFN 99/605	rondella
31	RFN 12/036	motore C.C.
32	RFN 12/303	spazzole motore C.C.
33	RFN 12/232	bronzine per albero

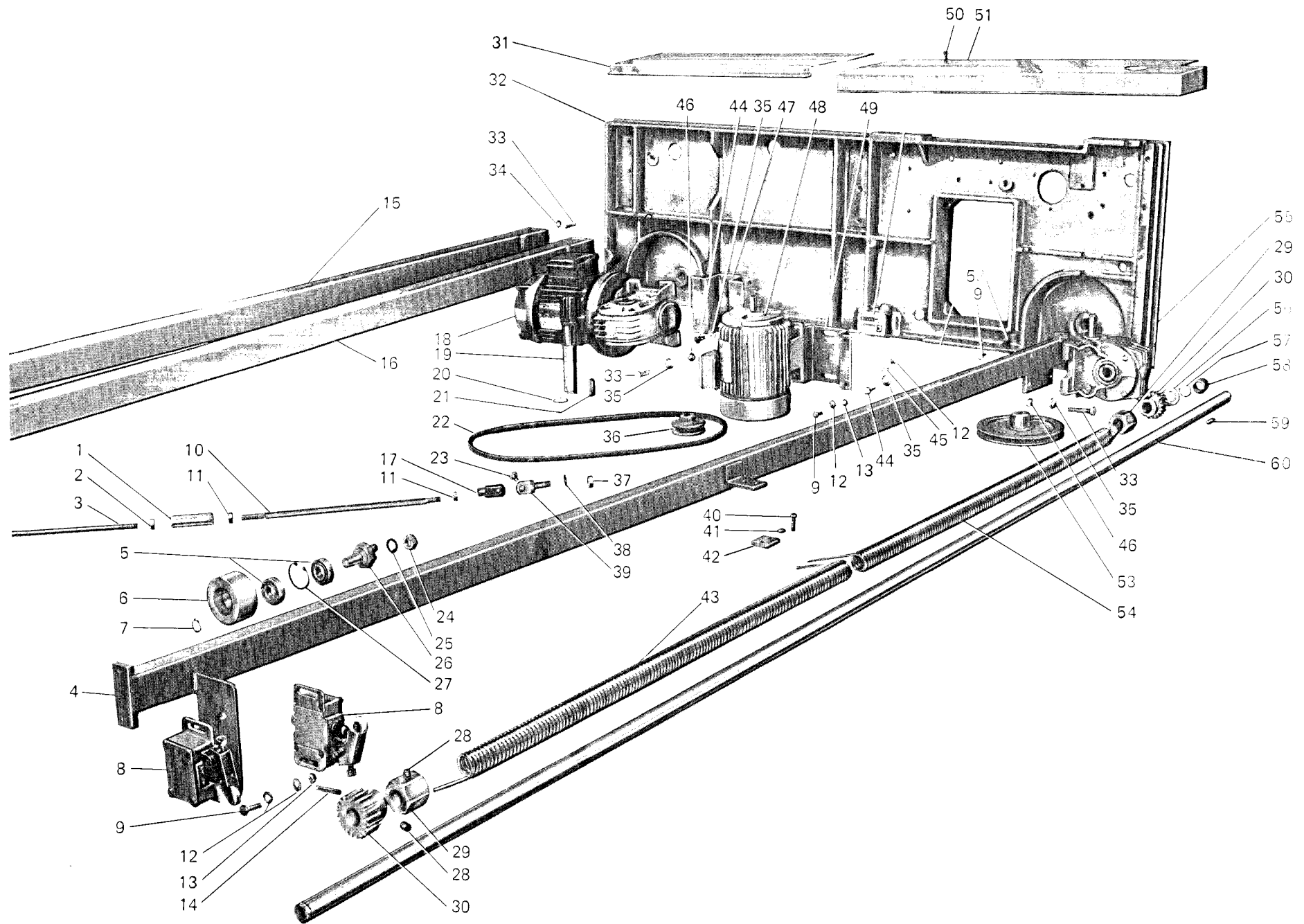


Fig. N. Abb. N.	Part. N. Bestell N. Piece N. Pieza N.	DESCRIZIONE
1	RFN 12/074	tenditore per crociera
2	RFN 99/554/S	dado
3	RFN 12/076	tirante lungo per crociera
4	RFN 14/019	traversa anteriore
5	RFN CS/62/027	cuscinetto
6	RFN 12/065	rullo tendicinghia
7	RFN 98/310	anello elastico
8	RFN 12/401	microinterruttore crouzet 83716/A
9	RFN 99/024	vite
10	RFN 12/075	tirante corto per crociera
11	RFN 99/554	dado
12	RFN 99/604	rondella
13	RFN 99/529	dado
14	RFN 98/013	spina elastica
15	RFN 14/021	traversa posteriore
16	RFN 14/020	traversa centrale
17	RFN 12/072	forcella per crociera
18	RFN 14/124	motoriduttore com. carrello allineamento
19	RFN 14/104	pignone motoriduttore
20	RFN 98/316	anello elastico
21	RFN 98/234	chiavetta 8 x 7 x 30
22	RFN 14/035	cinghia alzata
23	RFN 12/073	perno per fissaggio forc.
24	RFN 99/532	dado
25	RFN 99/629	rondella
26	RFN 12/066	perno per rullo tendicin.
27	RFN 98/416	anello elastico
28	RFN 99/431/C	grano CE m8 x 10 punta C
29	RFN 12/093	dado per regolazione molla
30	RFN 12/094	ingranaggio alzata rulli
31	RFN 14/072	copertura
32	RFN 14/001	fiancata lato comandi
33	RFN 99/036	vite
34	RFN 99/627	rondella
35	RFN 99/605	rondella
36	RFN 12/097	puleggia motore
37	RFN 99/531	dado
38	RFN 99/628	rondella
39	RFN 12/071	perno per attacco forc.
40	RFN 99/027	vite
41	RFN 99/626	rondella
42	RFN 12/080	piastra fiss. molla rich.
43	RFN 12/092/S	molle di comp. per alz. rulli
44	RFN 99/034	vite
45	RFN 99/022	vite
46	RFN 99/530	dado
47	RFN 14/103	supporto motoriduttore com. carrello
48	RFN 12/252	motore alzata

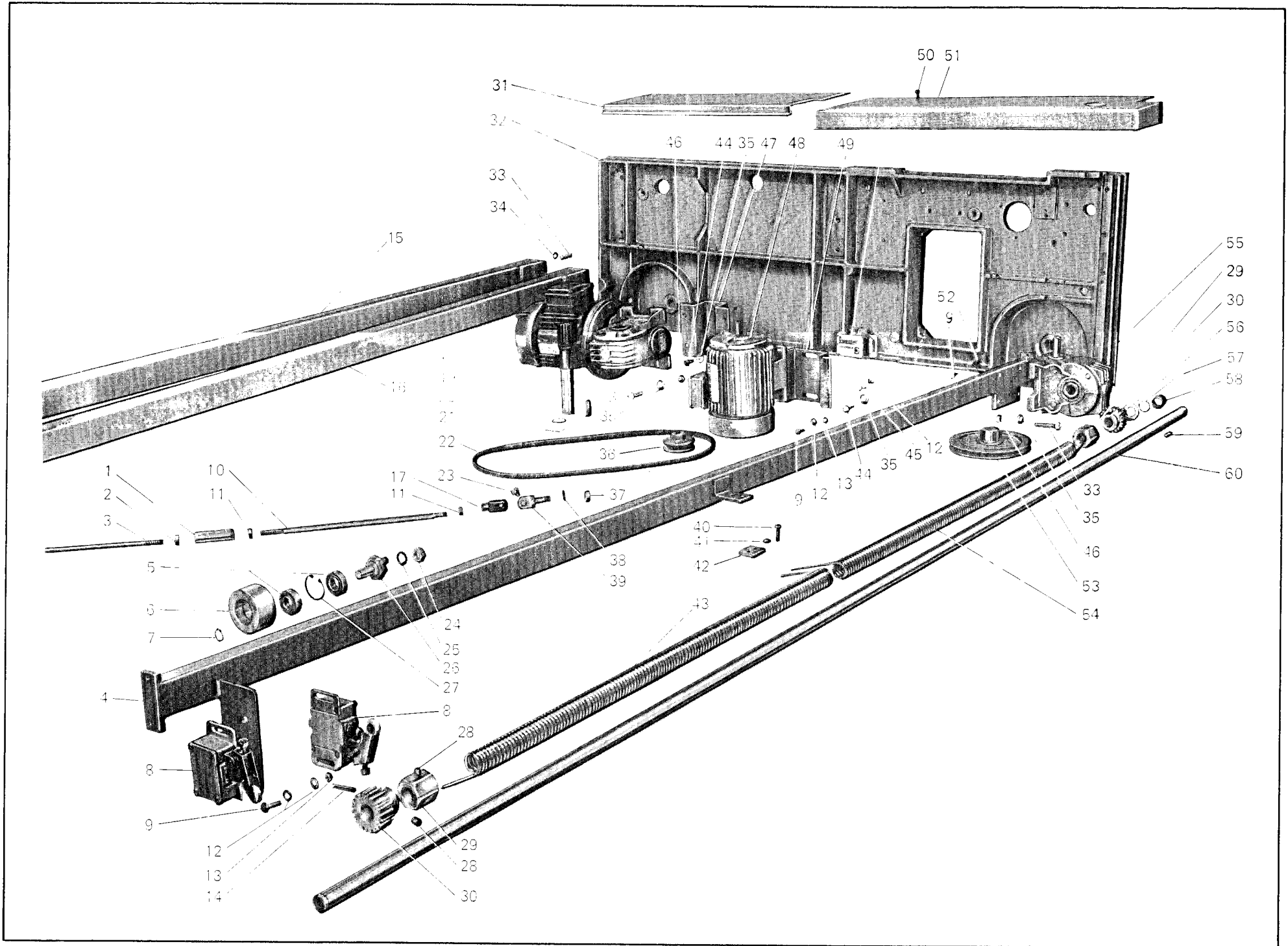


Fig. N. Abb. N.	Part. N. Piece N. Bestell N. Pieza N.	DESCRIZIONE
49	RFN 14/069	supporto motore alzata
50	RFN 99/011	vite
51	RFN 14/070	copertina puleggia alzata
52	RFN 99/231	vite
53	RFN 12/096	puleggia com. ridutt. alz.
54	RFN 12/092/D	molla di comp. per alz. rulli
55	RFN 12/253	riduttore alzata
56	RFN 12/091	rondella esterna albero alzata
57	RFN 98/312	anello elastico
58	RFN 12/032	bronzina per albero alzata
59	RFN 98/221	chiave ta 6 x 6 x 20
60	RFN 12/090	albero per alzata rulli anter.

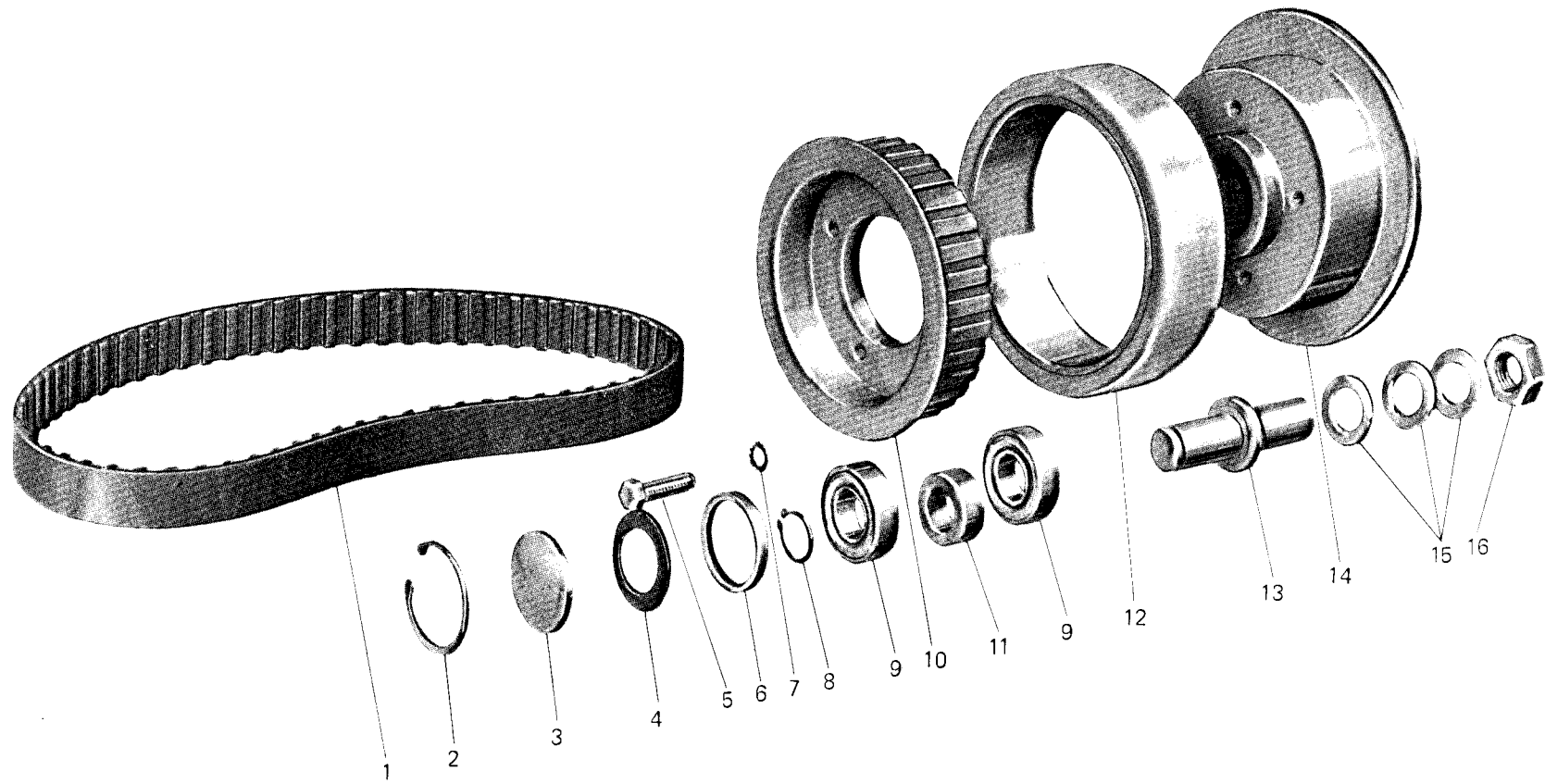


Fig. N. Abb. N.	Part. N. Bestell N. Piece N. Pieza N.	DESCRIZIONE
1	RFN 330H 100	cinghia dentata
2	RFN 98/419	anello elastico
3	RFN 12/058	fondello chius.ruota
4	RFN 6004	molla
5	RFN 99/036	vite
6	RFN 12/057	distanziale esterno cuscinetto
7	RFN 99/627	rondella
8	RFN 98/313	anello elastico
9	RFN CS/6004/2RS	cuscinetto
10	RFN 12/053	puleggia dentata com. ruote
11	RFN 12/056	distanziale interm. cuscinetto
12	RFN 12/050	fascia gomm. per ruota
13	RFN 12/054	perno per ruota
14	RFN 12/018	ruota
15	RFN 12/055	rondella dist. int. perno
16	RFN 12/049	dado

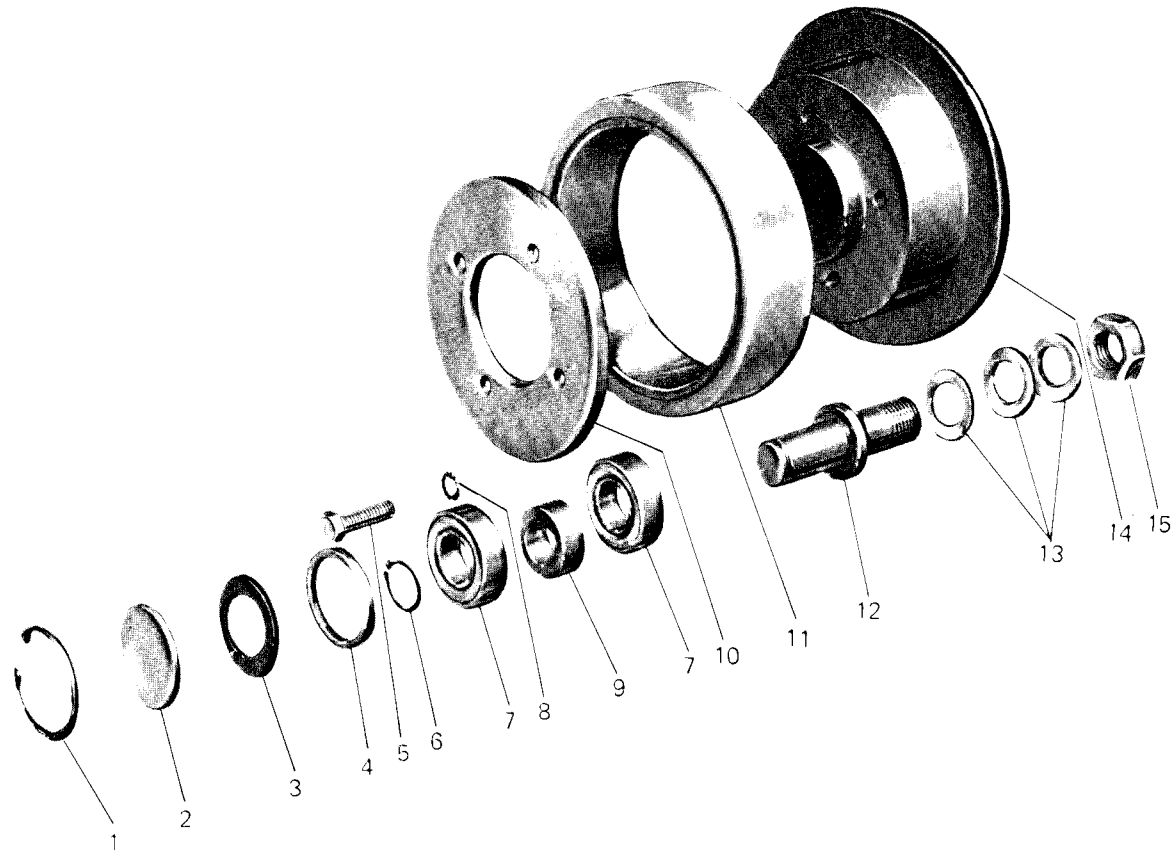


Fig. N. Abb. N.	Part. N. Piece N. Bestell N. Pieza N.	DESCRIZIONE
1	RFN 98/419	anello elastico
2	RFN 12/058	fondello chius. ruota
3	RFN 6004	schnorr
4	RFN 12/057	distanziale esterno cuscinetto
5	RFN 99/034	vite
6	RFN 98/313	anello elastico
7	RFN CS/6004/2RS	cuscinetto
8	RFN 99/627	rondella
9	RFN 12/056	distanziale interm. cuscinetto
10	RFN 12/052	disco fiss. ruota poster.
11	RFN 12/050	fascia gomm. per ruota
12	RFN 12/054	perno per ruota
13	RFN 12/055	rondella dist. int. perno
14	RFN 12/018	ruota
15	RFN 12/049	dado

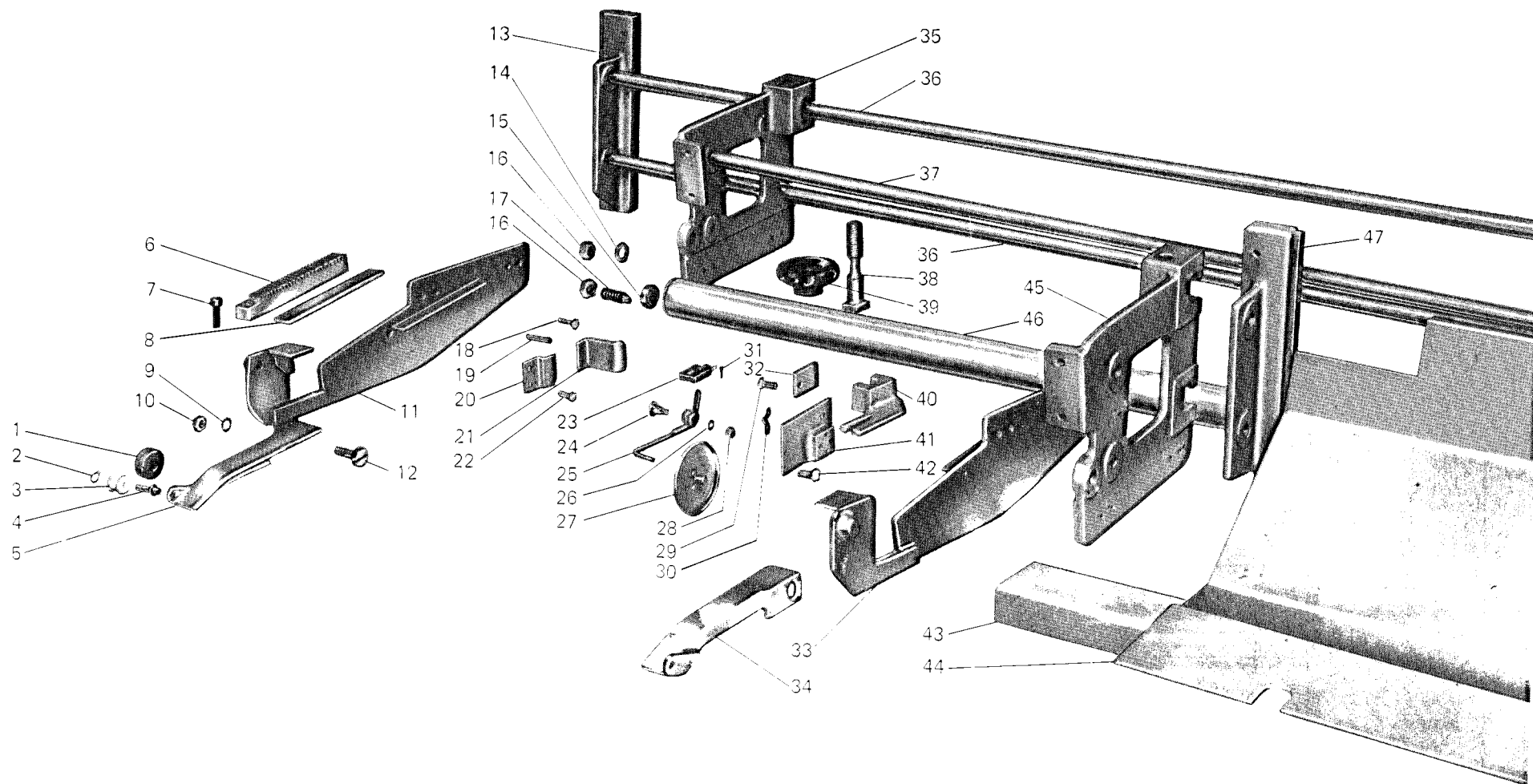


Fig. N. Abb. N.	Part. N. Bestell N. Piece N. Pieza N.	DESCRIZIONE
1	RFN 09/091/A	anello gomma
2	RFN 98/304	anello elastico
3	RFN 09/091	rotella gommata
4	RFN 09/090	perno per rotella gommata
5	RFN 14/085/1	scivolo sollevam. pinza lato motore
6	RFN 14/047	cremagliera alzata
7	RFN 99/245	vite
8	RFN 14/048	distanziale cremagliera
9	RFN 99/627	rondella a ventaglio m8
10	RFN 99/530	dado medio m8
11	RFN 14/083	supporto scivolo lato motore
12	RFN 09/089	perno scivolo
13	RFN 13/009	supporto lato motore
14	RFN 99/607	rondella piana m12
15	RFN CS/608/Z	cuscinetto
16	RFN 99/532	dado medio m12
17	RFN 14/065	perno per cilindri
18	RFN 99/024	vite
19	RFN 99/916	spina conica
20	RFN 14/076	arresto superiore alzata
21	RFN 14/077	arresto inferiore alzata
22	RFN 99/011	vite
23	RFN 12/406	microinterruttore tastatore
24	RFN 12/130	perno per tastatore
25	RFN 12/129	tastatore com. alzata
26	RFN 99/625	rondella a ventaglio m5
27	RFN 12/235	rotella di contatto tastatore
28	RFN 99/528	dado medio m5
29	RFN 99/012	vite
30	RFN 12/330	cavallotto fissaggio fili
31	RFN 99/803	vite
32	RFN 12/128	piastrina fissaggio supporto
33	RFN 14/082	supporto scivolo lato comandi
34	RFN 14/084/1	scivolo sollev. pinza lato com.
35	RFN 13/002	supporto per traversa tagliatore lato motore
36	RFN 13/010	tirante fisso
37	RFN 13/011	tirante supporti asportabili
38	RFN 13/032	vite bloccaggio supporti
39	RFN 13/033	pomello per vite bloccaggio supporti
40	RFN 12/127	supporto tastatore
41	RFN 12/131	piastra per tastatore
42	RFN 99/022	vite
43	RFN 14/066/A	traversa colleg. e supporto scivolo
44	RFN 14/066	scivolo infilaggio tessuto
45	RFN 13/001	supporto per traversa tagliatore lato com.
46	RFN 14/064	cilindrino di rinvio tessuto
47	RFN 13/008	supporto fisso lato comandi

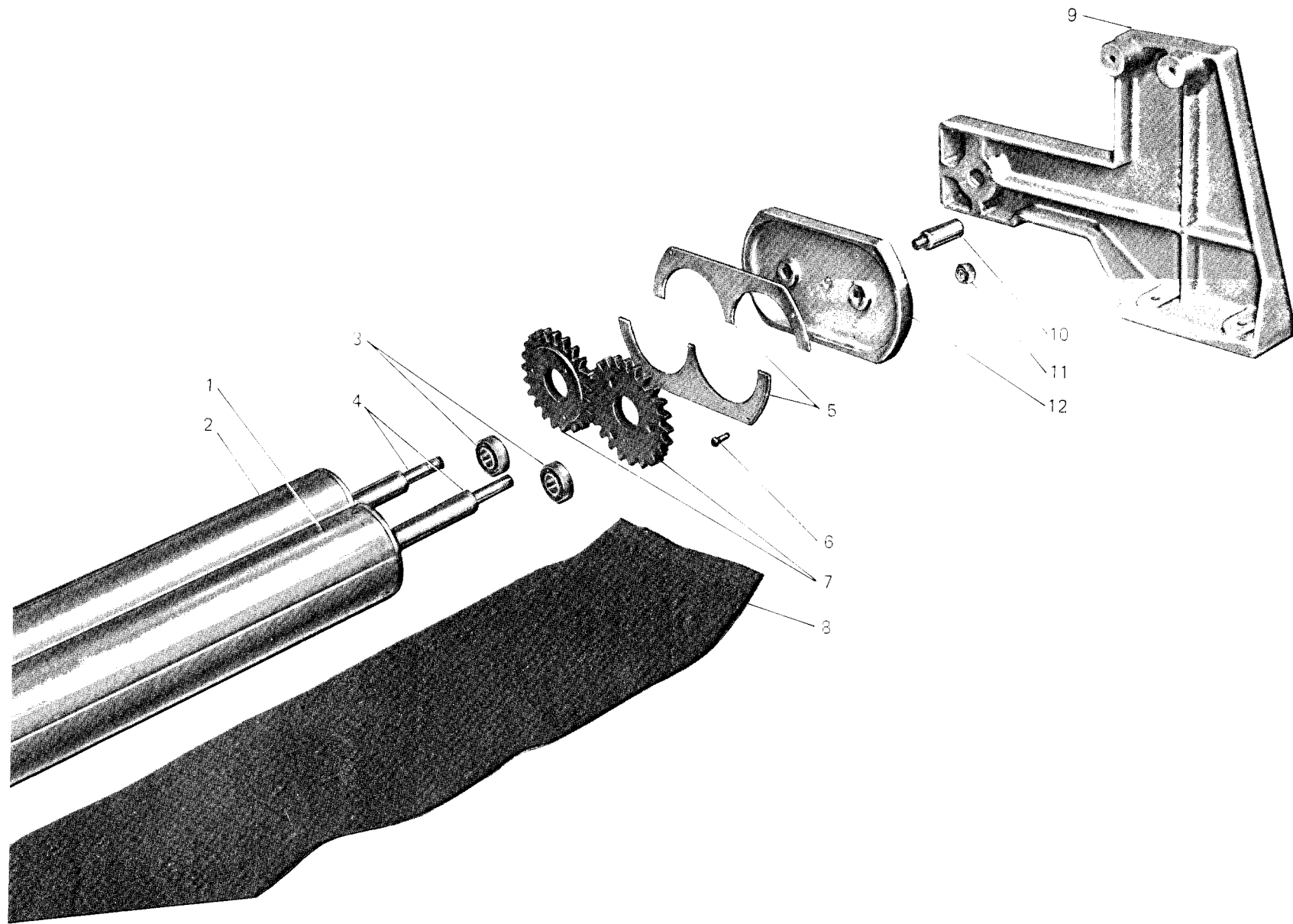


Fig. N. Abb. N.	Part. N. Bestell N. Piese N. Pieza N.	DESCRIZIONE
1	RFN 14/306	cilindro conduttore
2	RFN 14/310	cilindro condotto
3	RFN CS:6201/Z	cuscinetto
4	RFN 14/308	albero cilindri
5	RFN 14/320	copertura ingr. collegamento
6	RFN 99/218	vite
7	RFN 14/309	Ingr. colleg. cilindri
8	RFN 14/325	rivestimento cilindri
9	RFN 14/005	supporto cilindri lato motore
10	RFN 14/313	perno sostegno cilindro
11	RFN 99/532	dado
12	RFN 14/312	supporto cilindri lato motore

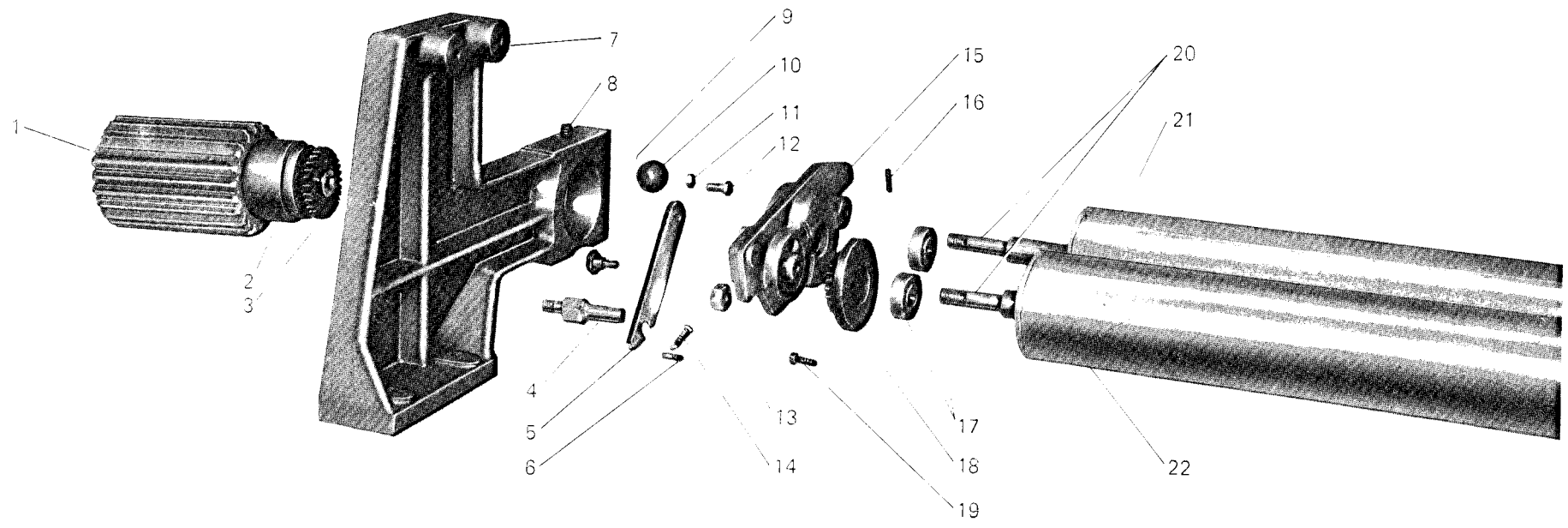


Fig. N. Abb. N.	Part. N. Bestell N. Piece N. Pieza N.	DESCRIZIONE
1	RFN 14/011	ingranaggio alluminio
2	RFN 14/301	boccola com. cilindri
3	RFN 14/304	ingranaggio com. cilindri
4	RFN 14/316	perno per aggancio
5	RFN 14/314	leva di aggancio
6	RFN 14/318	perno per molla
7	RFN 14/004	supporto cilindri lato com.
8	RFN 99/442/C	grano CE
9	RFN 14/315	perno per leva
10	RFN 14/319	sfera bachelite
11	RFN 99/529	dado
12	RFN 99/024	vite
13	RFN 99/532	dado
14	RFN 14/317	molla di richiamo
15	RFN 14/311	supporto cilindri lato com.
16	RFN 98/011	spina elastica
17	RFN CS/6201/Z	cuscinetto
18	RFN 14/307	ingranaggio cilindro
19	RFN 99/218	vite
20	RFN 14/308	albero cilindri
21	RFN 14/310	cilindro condotto
22	RFN 14/306	cilindro conduttore

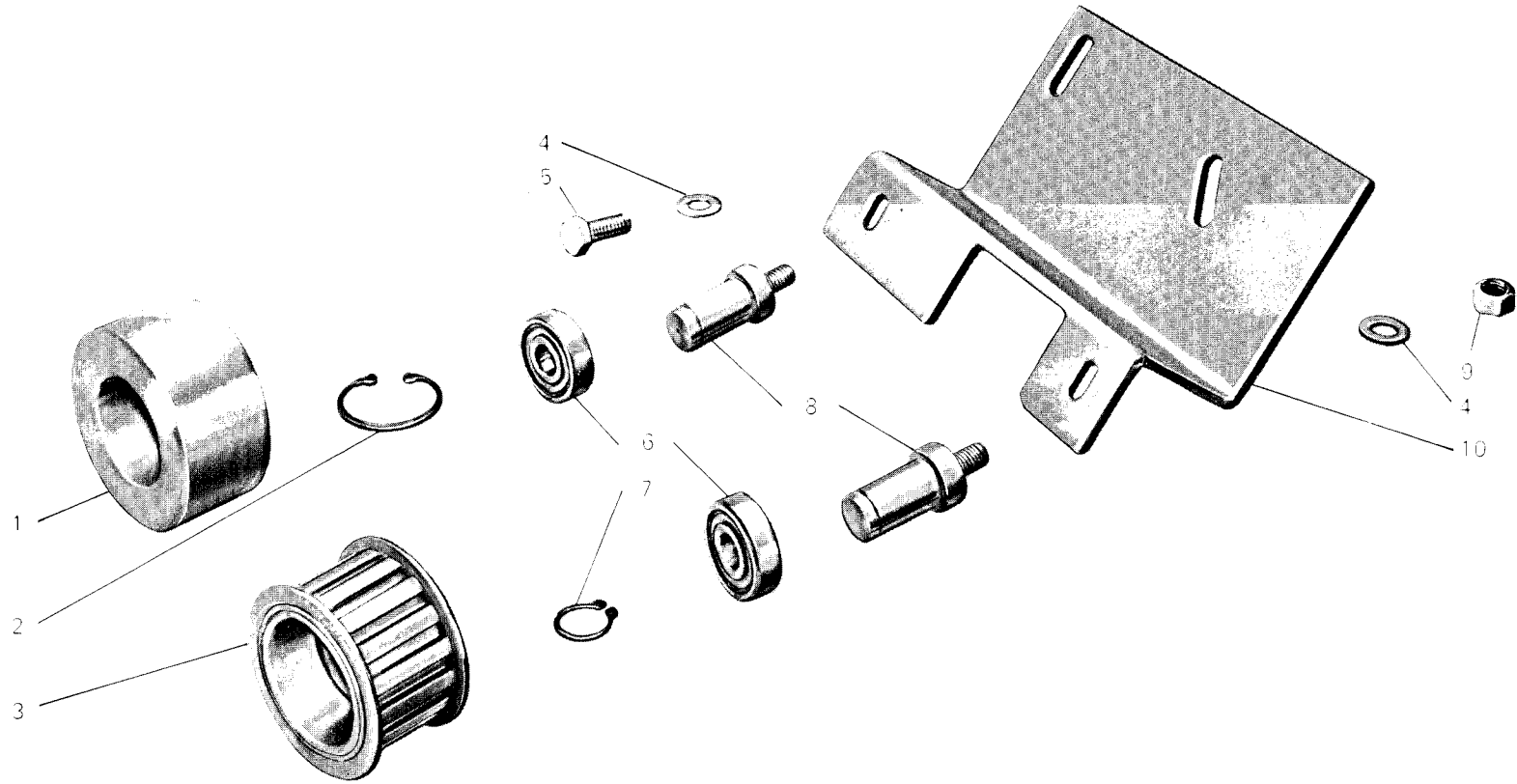


Fig. N. Abb. N.	Part. N. Bestell N. Piece N. Pieza N.	DESCRIZIONE
1	RFN 12/065	rullo tendicinghia
2	RFN 98/416	seeger 35 I
3	RFN 14/023	puleggia tendicinghia
4	RFN 99/605	rondella per M8 UNI 1734
5	RFN 99/034	vite TE M8x20
6	RFN CS/6202/Z	cuscinetto 6202-Z RIV-SKF
7	RFN 98/310	seeger 15E
8	RFN 14/025	perno per tendicinghia
9	RFN 99/530	dado M8 UNI 5588
10	RFN 14/022/1	supporto tendicinghia

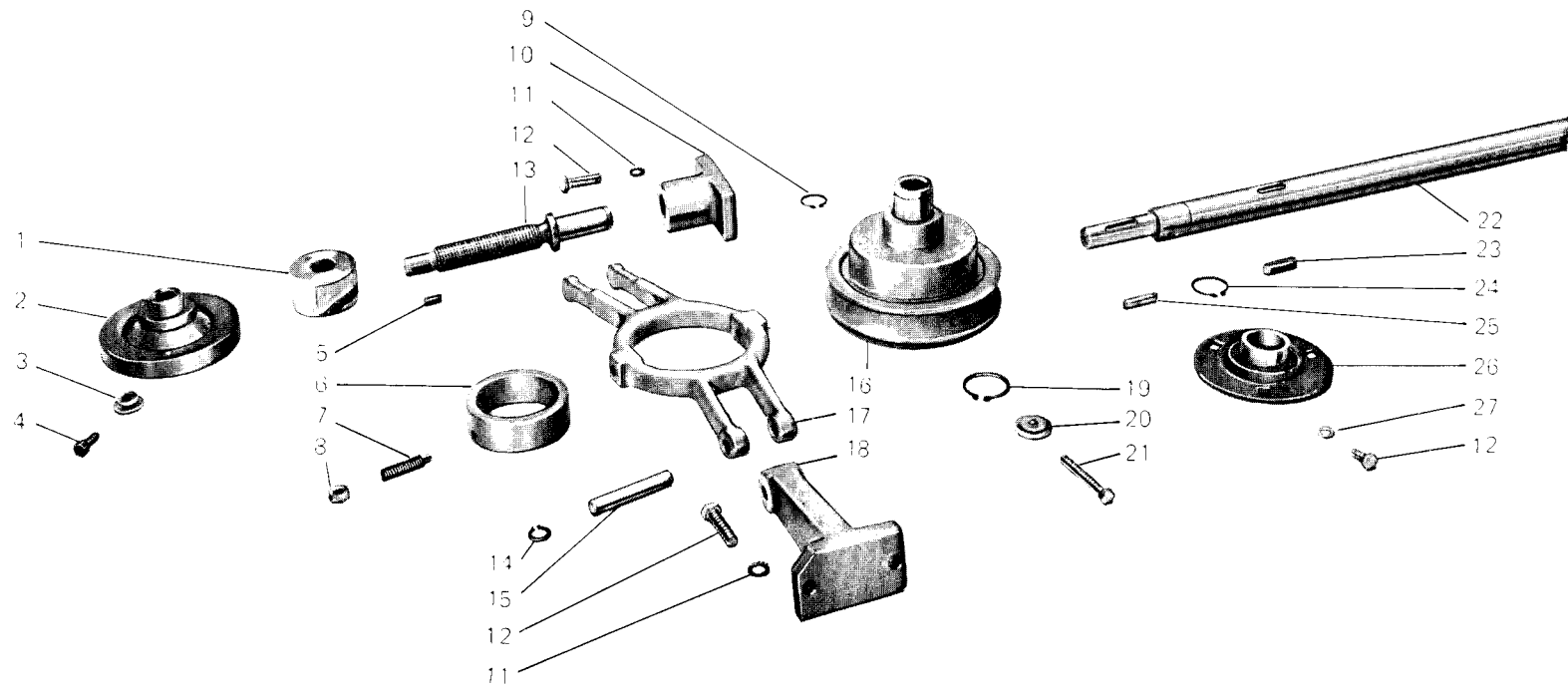


Fig Abb	N N	Part Bestell Piece Pieza	N N N N	DESCRIZIONE
1		RFN 12/157		chiocciola comando
2		RFN 12/241		volantino comando variatore
3		RFN 12/162		rondella di testa per fissaggio volantino variatore
4		RFN 99/229		vite TCEI M6x15
5		RFN 98/220		chiavetta 6x6x18
6		RFN 12/154/2		anello per bilanciere
7		RFN 12/154/3		vite per fissaggio bilanciere
8		RFN 99/531		dado M10 UNI 5588
9		RFN 98/313		seeger 20E
10		RFN 12/155		supporto per perno
11		RFN 99/627		rondella per M8 (ventaglio)
12		RFN 99/036		vite TE M8x30
13		RFN 12/156		albero comando bilanciere
14		RFN 98/308/G		seeger 10E/G
15		RFN 12/158		perno per bilanciere
16		RFN 12/247		puleggia variabile VOL 130
17		RFN 12/154/1		bilanciere
18		RFN 12/153		supporto per bilanciere
19		RFN 98/319		seeger 30E
20		RFN 12/160		rondella fissaggio variatore
21		RFN 99/116		vite TE M6x50
22		RFN 12/087		albero comando ruote anti il variatore
23		RFN 98/234		chiavetta 8x7x30
24		RFN 98/316		seeger 25E
25		RFN 98/224		chiavetta
26		RFN 12/259		supporto a flangia ASHAY BPF 5B
27		RFN 99/605		rondella per M8 UNI 1734

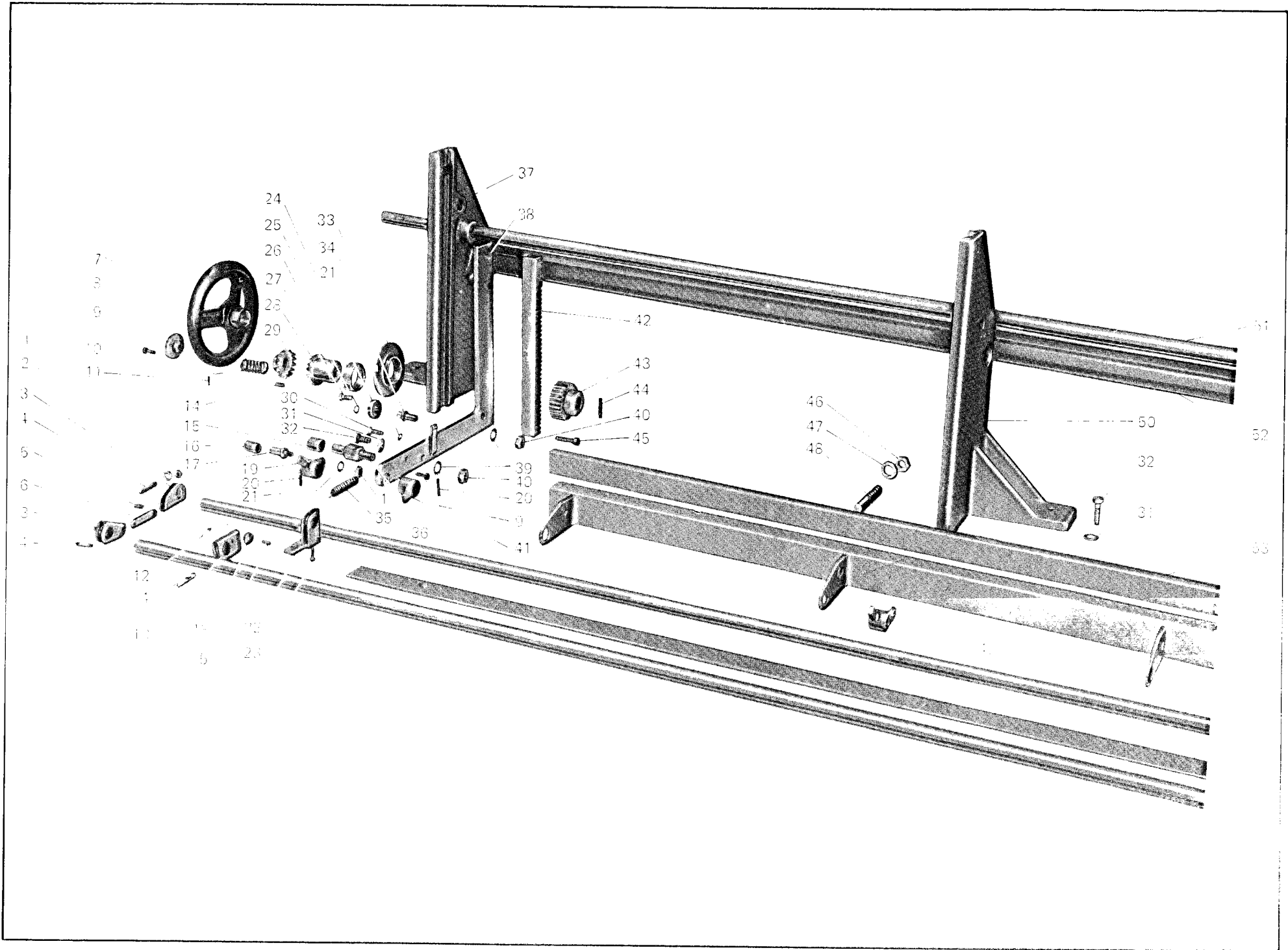


Fig. N. Abb. N.	Part. N. Bestell N. Piecce N. Pieza N.	DESCRIZIONE
1	RFN 99/529	dado
2	RFN 99/604	rondella piana m6
3	RFN 14/721	supporto com. e controllo apertura pinze
4	RFN 14/718	prigioniero
5	RFN 14/717	pernetto per rullino e molla
6	RFN 14/722	levetta di collegamento
7	RFN 08/107	volantino innesto
8	RFN 08/108	rondella per volantino
9	RFN 99/229	vite
10	RFN 08/122	molla di richiamo volantino
11	RFN 99/421/A	grano CE m6 x 8
12	RFN 14/716	molla richiamo rullino
13	RFN 14/714	supporto rullino bloccaggio tessuto
14	RFN 98/210	chiavetta
15	RFN 14/713	rullino per perno
16	RFN 09/078	rullino per perno leva apertura pinza
17	RFN 14/709	perno per leva
18	RFN 14/715	rullino bloccaggio tessuto
19	RFN 14/708/A	leva comando apertura pinza lato com.
20	RFN 98/011	spina elastica
21	RFN 99/626	rondella e ventaglio m6
22	RFN 14/719	supporto contrasto rullino
23	RFN 99/813	vite
24	RFN CS/6000/2Z	cuscinetto
25	RFN 14/702	distanziale per innesto frontale
26	RFN 98/308	anello elastico
27	RFN 99/022	vite
28	RFN 08/105	innesto fisso
29	RFN 08/106	innesto scorrevole
30	RFN 99/024	vite
31	RFN 99/605	rondella piana m8
32	RFN 99/034	vite
33	RFN 08/120	ruota libera
34	RFN 14/610	perno per cuscinetto guida
35	RFN 14/710	molla richiamo leve
36	RFN 14/712	perno comando sollevamento pinza
37	RFN 14/601	fiancata per pinza lato comandi
38	RFN 14/703	asta portapinza lato com.
	RFN 14/704	asta portapinza lato motore
39	RFN 99/628	rondella a ventaglio m10
40	RFN 99/531	dado
41	RFN 14/711	leva di fermo
42	RFN 14/609	cremagliera alzata
43	RFN 14/606	ingranaggio per albero alzata
44	RFN 98/013	spina elastica
45	RFN 99/233	vite
46	RFN 99/532	dado
47	RFN 99/607	rondella piana m12

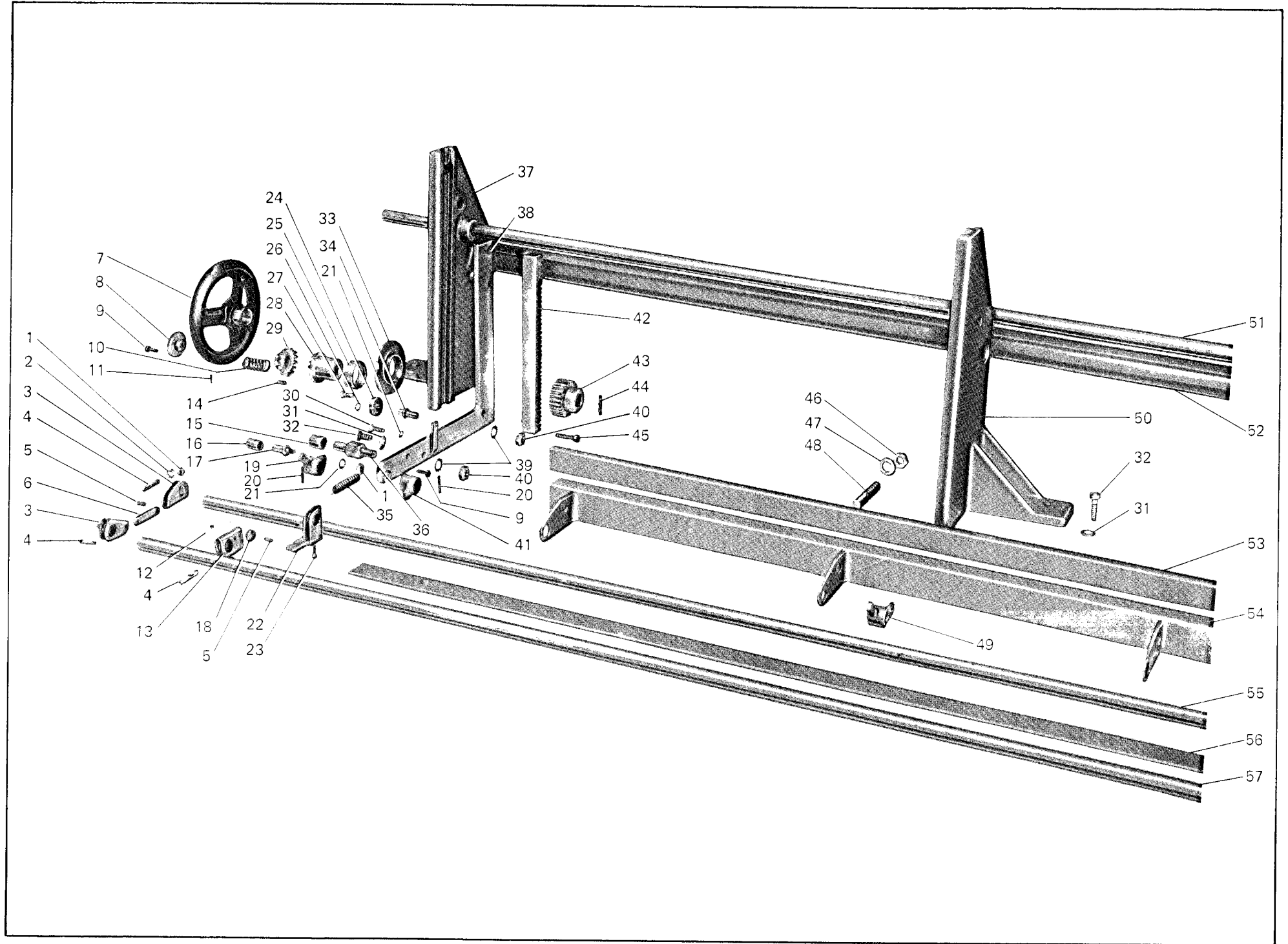


Fig. N. Abb. N.	Part. N. Bestell N. Piece N. Pieza N.	DESCRIZIONE
48	RFN 14/604	prigioniero bloccaggio tubo
49	RFN 14/708/A	leva comando apertura pinza lato motore
50	RFN 14/602	fiancata per pinza lato motore
51	RFN 14/701	albero di compensazione e alzata
52	RFN 14/603	tubo collegamento fiancata
53	RFN 14/613	traversa di collegamento asta
54	RFN 14/705	supporto per alberi comando pinze
55	RFN 14/707	albero posteriore
56	RFN 14/720	lamiera collegamento supporto
57	RFN 14/706	albero anteriore

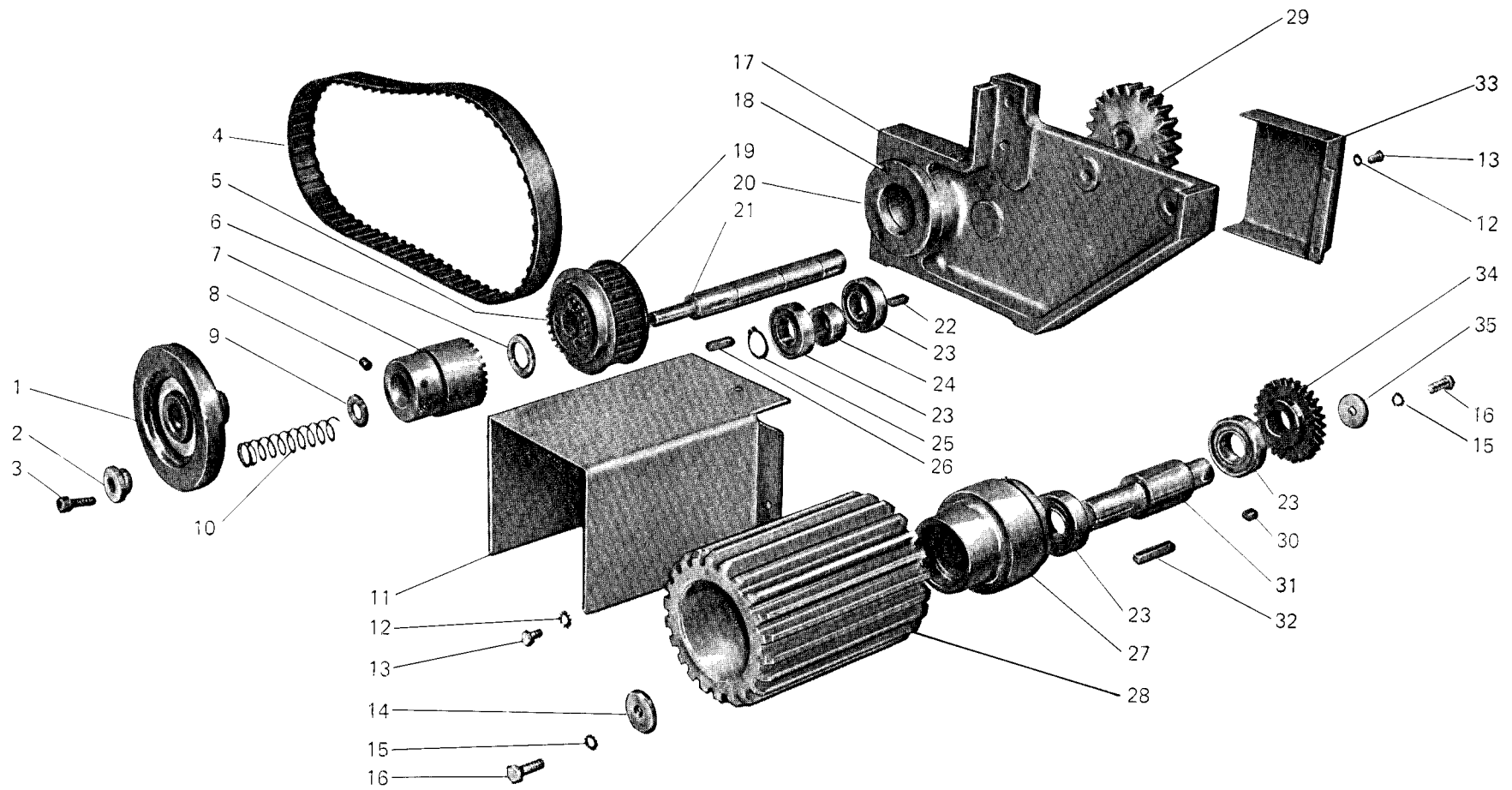


Fig. N. Abb. N.	Part. N. Bestell N. Piece N. Pieza N.	DESCRIZIONE
1	RFN 14/040	volantino com. innesto
2	RFN 14/038	rondella volantino innesto
3	RFN 99/229	vite
4	RFN 14/086	cinghia 540 L100
5	RFN 14/029	innesto fisso puleggia
6	RFN 14/032	distanziale puleggia
7	RFN 14/030	innesto scorrevole
8	RFN 99/430/C	grano CE m8 x 8
9	RFN 14/037	distanziale molla innesto
10	RFN 14/039	molla richiamo innesto
11	RFN 14/324	copertura ingr. alluminio
12	RFN 99/625	rondella a ventaglio m5
13	RFN 99/011	vite
14	RFN 14/018	rondella di bloccaggio
15	RFN 99/626	rondella a ventaglio m6
16	RFN 99/022	vite
17	RFN 14/003	supporto fisso com. cilindri
18	RFN 99/231	vite
19	RFN 14/026	puleggia di comando
20	RFN 14/010	flangia per supporto
21	RFN 14/027	albero supporto fisso
22	RFN 98/219	chiavetta 6 x 15
23	RFN CS/6004/2RS	cuscinetto
24	RFN 14/031	distanziale cuscinetti
25	RFN 98/313	anello elastico
26	RFN 98/222	vite
27	RFN 14/301	boccola comando cilindri
28	RFN 14/011	ingranaggio alluminio
29	RFN 14/028	ingranaggio interno
30	RFN 99/217	chiavetta 6 x 10
31	RFN 14/302	perno ingranaggio comando cil.
32	RFN 98/224	chiavetta 6 x 35
33	RFN 14/033	copertura ingr. interno
34	RFN 14/304	ingranaggio cilindri
35	RFN 14/305	rondella di bloccaggio

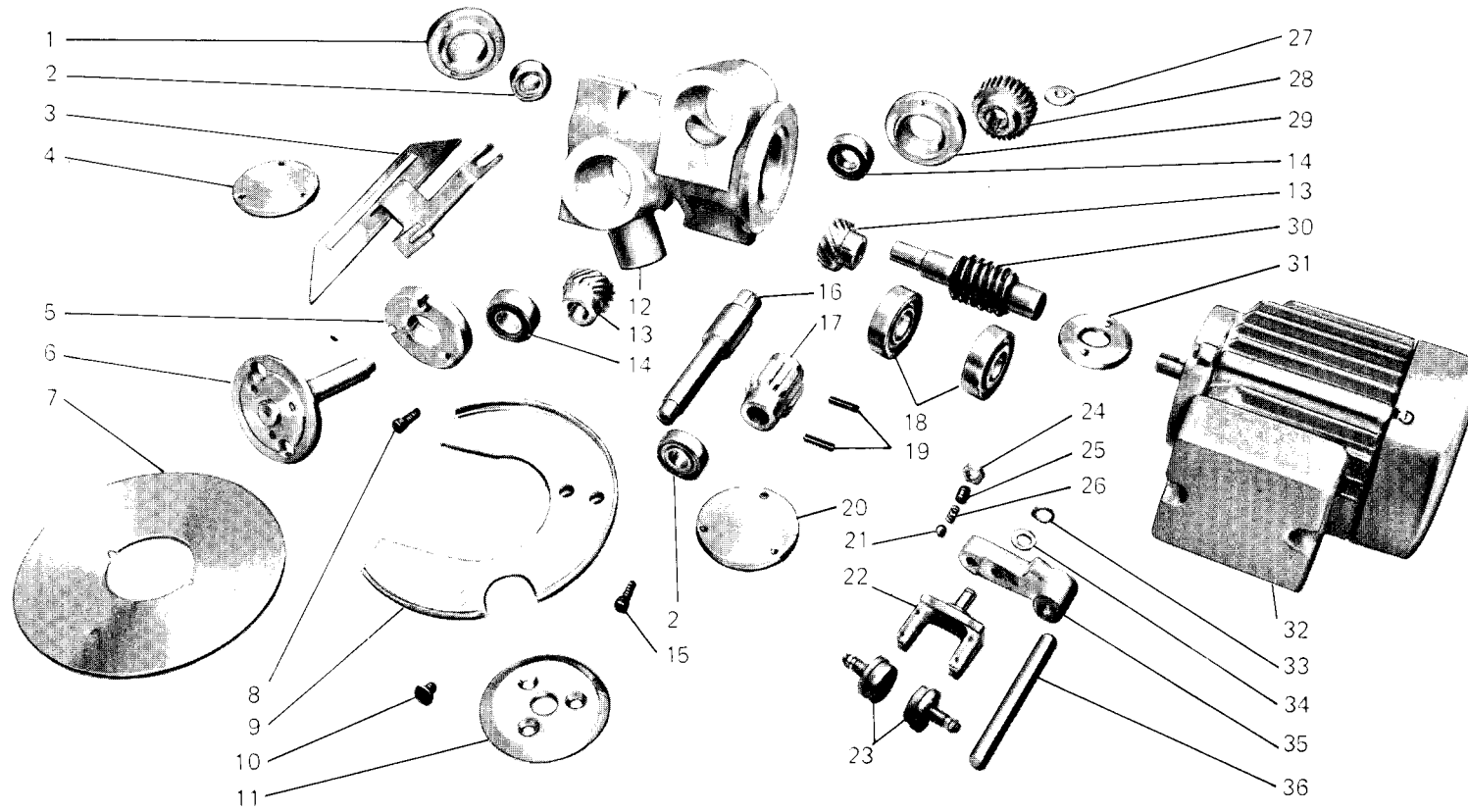


Fig. N Abb. N	Part. N. Bestell N. Piec N. Pieza N.	DESCRIZIONE
*	RFN 12/518/1G	gruppo scatola tagliatore completo
●	RFN 12/545/G	gruppo affilatore completo
1	RFN 12/531	flangetta cieca albero lama
2	RFN CS/6201/Z	cuscinetto
3	RFN 12/546/1	piedino per lama tagliatore
4	RFN 12/532	flangetta chiusura inferiore scatola
5	RFN 12/530	flangetta albero lama
6	RFN 12/527	albero portalama
7	RFN 12/534	lama
8	RFN 99/232	vite TCEI
9	RFN 12/547	riparo esterno lama
10	RFN 99/332	vite TSEI
11	RFN 12/533	flangia bloccaggio lama
12	RFN 12/518/1	scatola comando tagliatore
13	RFN 12/528/1	ingranaggio elicoidale comando lama
14	RFN CS/6202/ZRS	cuscinetto
15	RFN 99/218	vite TCEI
16	RFN 12/521	albero comando spostamento tagliatore
17	RFN 12/522	ingranaggio elicoidale vite
18	RFN CS/7204	cuscinetto
19	RFN 98/019	spina elastica
20	RFN 12/524	flangetta cieca
21	RFN 12/542	sfera
22	RFN 12/539	forcella porta mole
23	RFN 12/540	mola affilatrice
24	RFN 99/566	dado
25	RFN 99/432	grano
26	RFN 12/543	molla per sfera
27	RFN 12/526	rondella bloccaggio ingranaggio
28	RFN 12/525	ingranaggio comando spostamento
29	RFN 12/523	flangetta lato ingranaggio
30	RFN 12/519/1	vite senza fine
31	RFN 12/520/1	ghiera registrazione vite
32	RFN 12/535	motore comando tagliatore
33	RFN 98/306	seeger esterno
34	RFN 12/544	distanziale
35	RFN 12/538	supporto mobile affilatore
36	RFN 12/537	perno affilatore

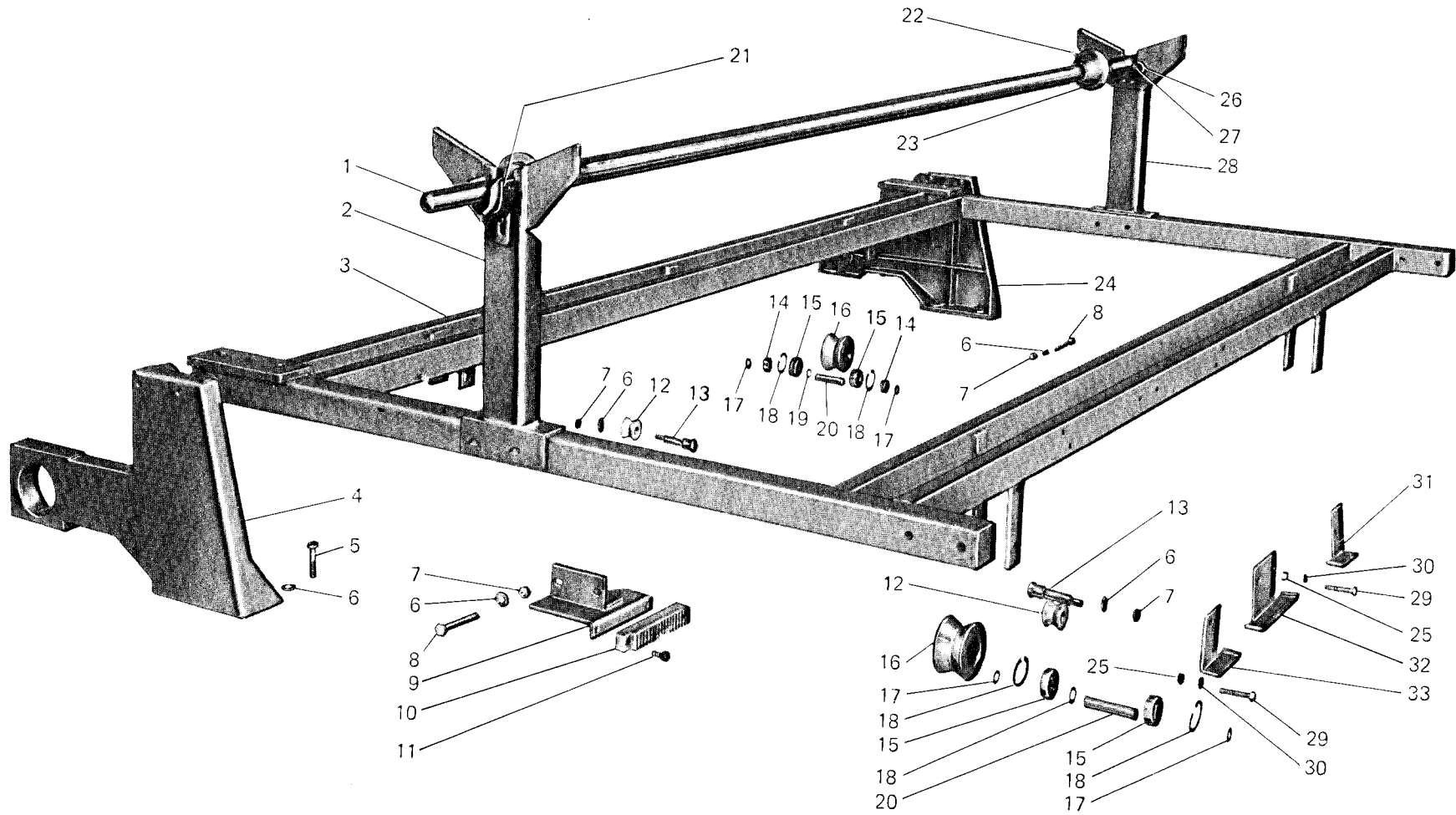


Fig. N. Abb. N.	Part. N. Bestell N. Pieca N. Pieza N.	DESCRIZIONE
1	RFN 14/116	albero portapezze
2	RFN 14/114	supporto per albero portapezze
3	RFN 14/108	carrello allineamento tessuto
4	RFN 14/004	supporto cilindri lato comandi
5	RFN 99/037	vite
6	RFN 99/605	rondella piana m8
7	RFN 99/530	dado medio m8
8	RFN 99/130	vite
9	RFN 14/106	supporto per cremagliera
10	RFN 14/107	cremagliera com. carrello
11	RFN 99/024	vite
12	RFN 14/112	ruota di ancoraggio
13	RFN 14/111	perno eccentrico
14	RFN 14/113	distanziale per ruote
15	RFN CS/6201/Z	cuscinetto
16	RFN 14/109	ruota per carrello
17	RFN 98/309	anello elastico
18	RFN 98/415	anello elastico
19	RFN 99/657	rondella PS 12 x 1
20	RFN 14/110	perno per ruote
21	RFN 14/118	forcella freno
22	RFN 98/113	vite ad alette m6 x 25
23	RFN 14/117	cono per albero portapezze
24	RFN 14/005	supporto cilindri lato motore
25	RFN 99/529	dado medio m6
26	RFN CS/6000/2Z	cuscinetto
27	RFN 14/115	perno per cuscinetti
28	RFN 14/124/A	supporto per albero porta pezze
29	RFN 99/027	vite
30	RFN 99/626	rondella a ventaglio m6
31	RFN 14/120	camme destra
32	RFN 14/119	camme doppia centrale
33	RFN 14/121	camme sinistra

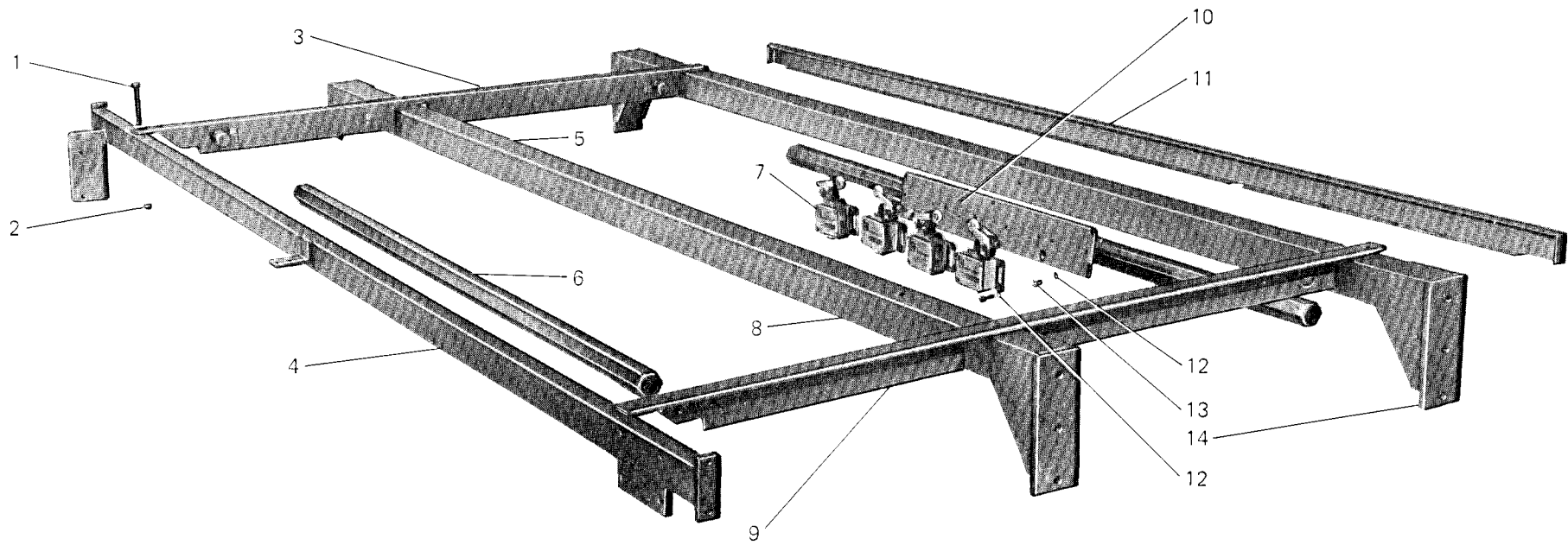


Fig. N. Abb. N.	Part. N. Bestell N. Piece N. Pieza N.	DESCRIZIONE
1	RFN 99/130	vite
2	RFN 99/530	dado medio m8
3	RFN 14/101	supporto guide carrello lato mot.
4	RFN 14/019	traversa anteriore
5	RFN 14/020	traversa centrale
6	RFN 14/102	guida scorrim. carrello
7	RFN 12/401	microinterruttore
8	RFN 99/218	vite
9	RFN 14/100	supporto guide carrello lato mot.
10	RFN 14/122	lamiera supporto microint.
11	RFN 14/209	canalina passaggio fili
12	RFN 99/625	rondella a ventaglio m5
13	RFN 99/011	vite
14	RFN 14/021	traversa posteriore

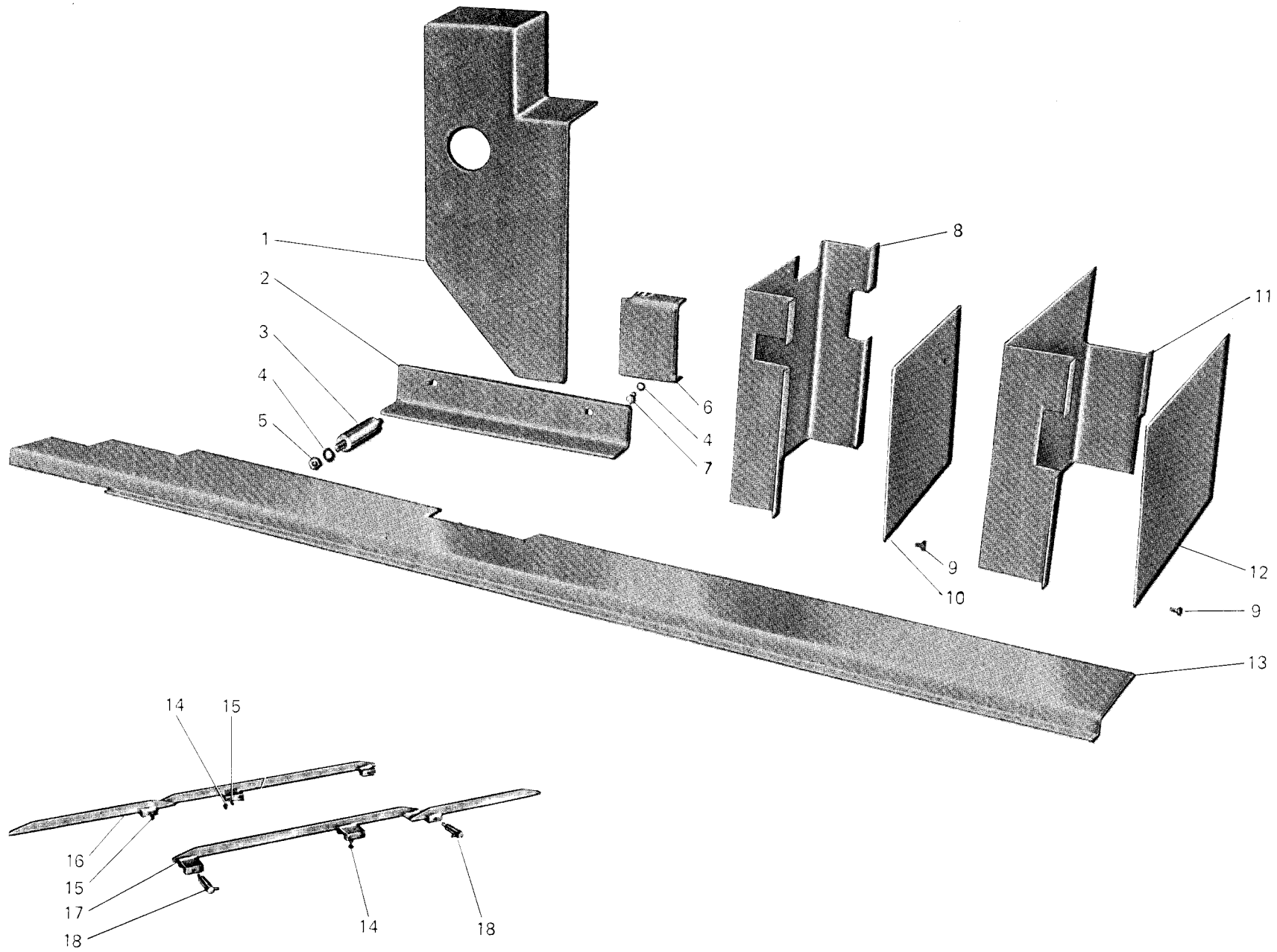


Fig. N. Abb. N.	Part. N. Piecce N. Bestell N. Pieza N.	DESCRIZIONE
1	RFN 14/041	copertura
2	RFN 12/193	supporto per contatti di scambio
3	RFN 12/194	perno fissaggio contatti di scambio
4	RFN 99/627	rondella a ventaglio m8
5	RFN 99/530	dado medio m8
6	RFN 14/042	supporto per copertura
7	RFN 99/813	vite
8	RFN 14/075	riparo ruota anteriore lato motore
9	RFN 99/813	vite
10	RFN 12/069	riparo ruota posteriore lato motore
11	RFN 13/034	riparo ruota anteriore lato comandi
12	RFN 12/070	riparo ruota posteriore lato comandi
13	RFN 14/073	riparo super. lato motore
14	RFN 99/021	vite
15	RFN UNI 5929	grano VCE 8 x 12
16	RFN 14/079	supporto
17	RFN 14/080	supporto
18	RFN 12/195	perno per fissagg. camme

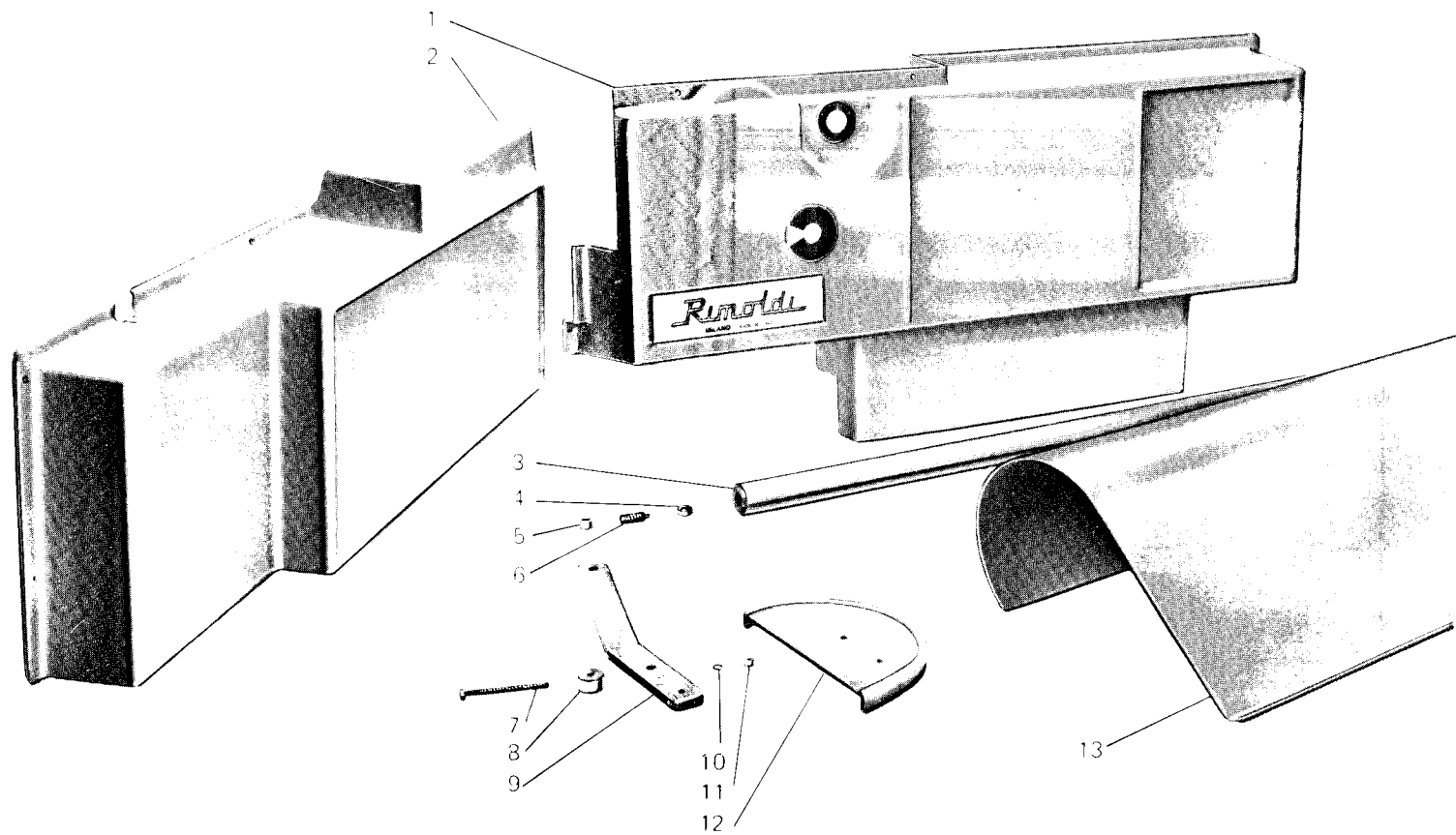


Fig. N. Abb. N.	Part. N. Bestell N. Piece N. Pieza N.	DESCRIZIONE
1	RFN 14/211/1	copertura L. comandi
2	RFN 12/217/A	copertura L. motore
3	RFN 13/043	cilindro superiore rinvio
4	RFN CS/608/Z	cuscinetto 608-Z RIV-SKF
5	RFN 99/532	dado M12 UNI 5588
6	RFN 14/065	perno per cilindro
7	RFN 99/120	vite TCEI M6x70
8	RFN 14/323	distanziale fissaggio cupola
9	RFN 13/045/1	supporto per cilindro superiore
10	RFN 99/604	rondella per M6 UNI 1734
11	RFN 99/529	dado M6 UNI 5588
12	RFN 14/322/1	fiancata per cupola
13	RFN 14/322	cupola

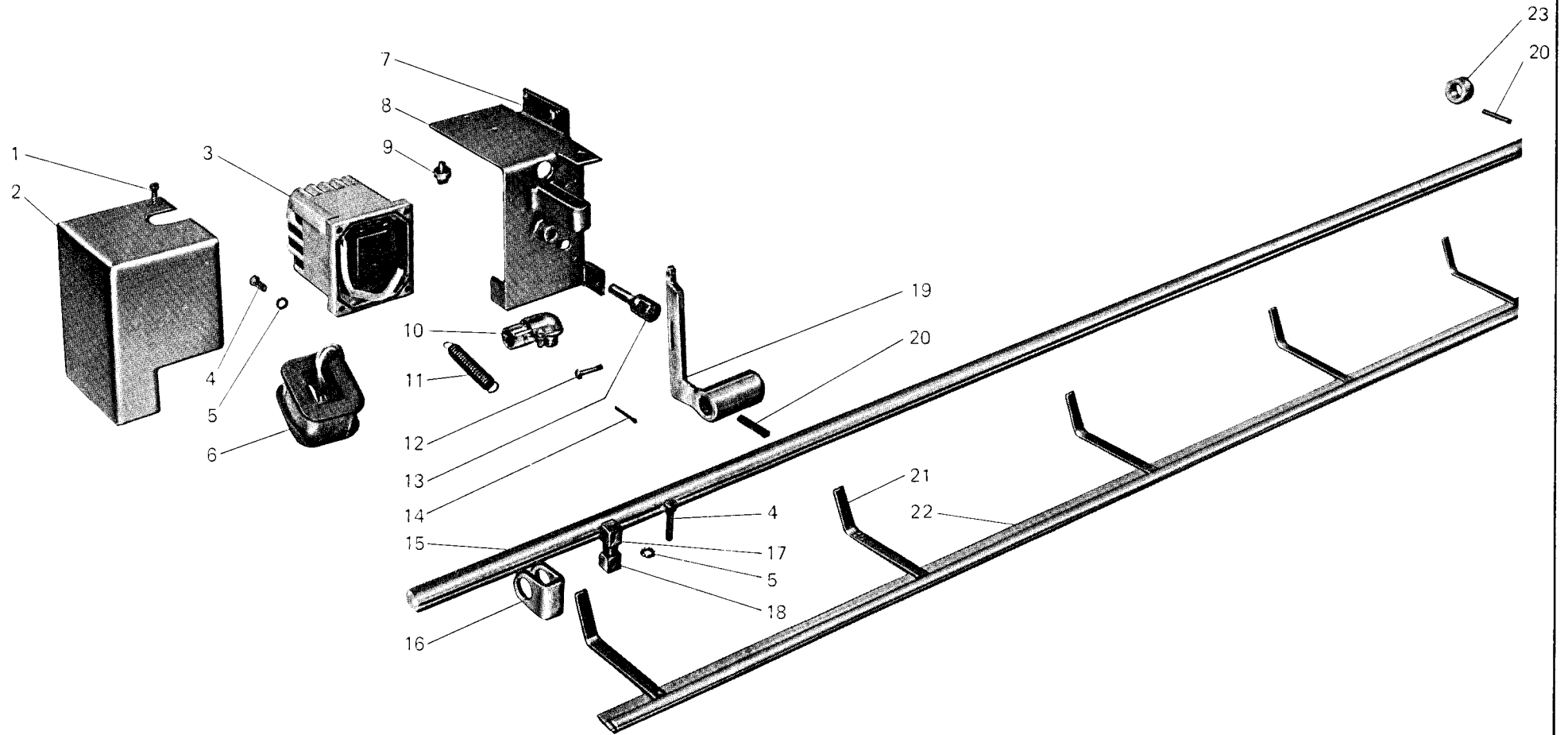


Fig. N. Abb. N.	Part. N. Piese N. Bestell N. Pieza N.	DESCRIZIONE
1	RFN 99/812	vite
2	RFN 14/063	copertura elettromagnete
3	RFN 14/067	elettromagnete
4	RFN 99/014	vite
5	RFN 99/625	rondella a ventaglio m 5
6	RFN 14/067/A	bobina per elettromagnete
7	RFN 99/011	vite
8	RFN 14/052	supporto elettromagnete
9	RFN 14/056	perno aggancio molla
10	RFN 14/087	bocchettone per entrata fili elettromagnete
11	RFN 14/055	molla di richiamo
12	RFN 14/054	pernetto
13	RFN 14/053	perno a forcella
14	-	coppiglia 2x30
15	RFN 14/049	albero bloccaggio tessuto
16	RFN 14/058	supportino per levetta bloccaggio
17	RFN 14/059	tassello filettato
18	RFN 14/060	tassello forato
19	RFN 14/051	leva comando albero
20	RFN 98/011	spina elastica 4 x 25
21	RFN 14/061	levetta di bloccaggio
22	RFN 14/062	asta collegamento levetta
23	RFN 14/050	anello tenuta albero

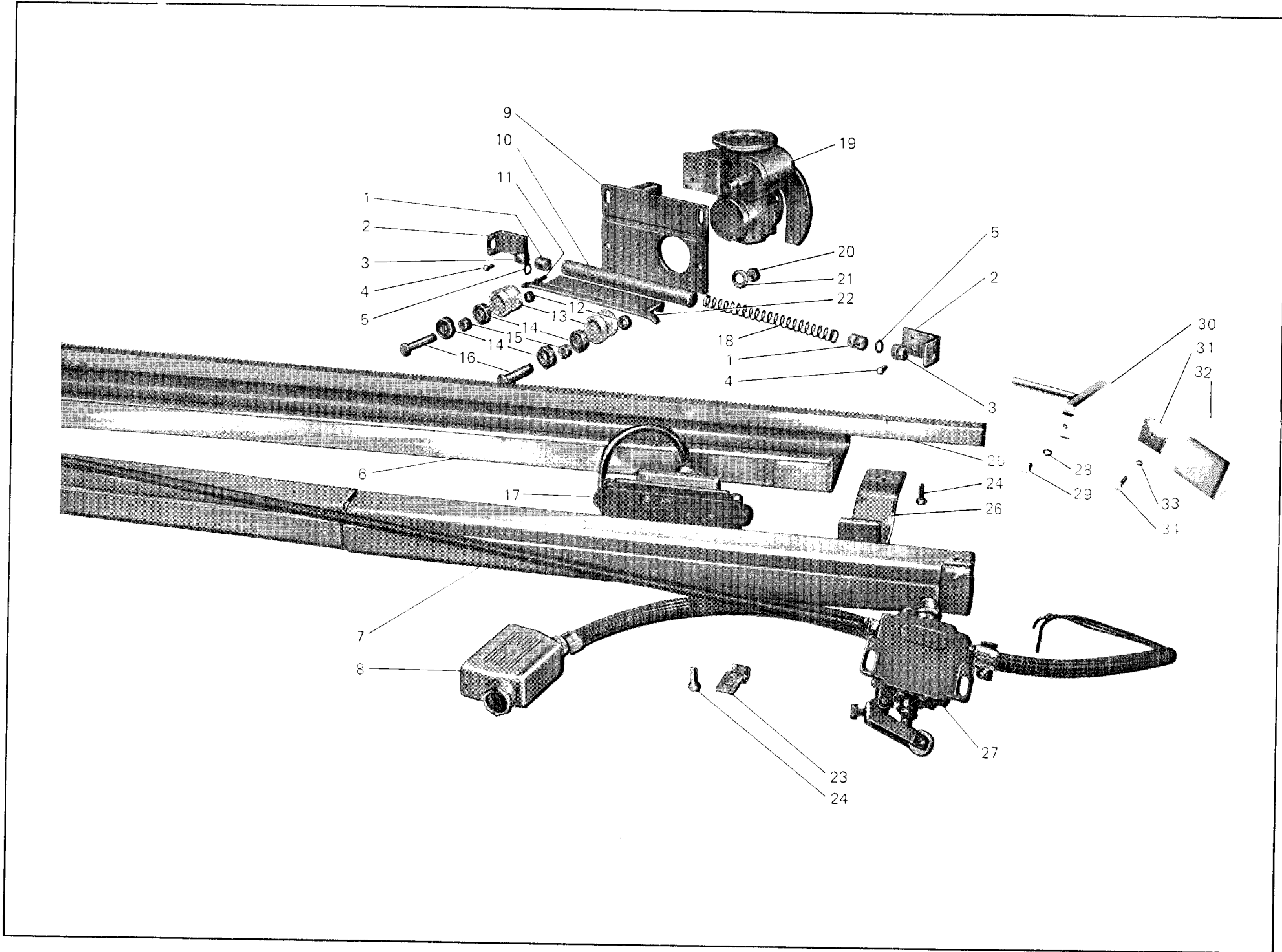


Fig. N Abb N	Part. N Bestell N Piece N Pieza N	DESCRIZIONE
1	RFN 12 587	pistoncino per ammortizzatore
2	RFN 12 589	squadretta supporto ammortizz
3	RFN 12 586	testata ammortizzatore
4	RFN 99 021	vite
5	RFN 12 591	guarnizione "OR"
6	RFN 12 508	traversa scorrimento tagliatore
7	RFN 12 579	blindo
8	RFN 13 039	connettore
9	RFN 12 511	piastra supporto scatola
10	RFN 12 585	Corpo ammortizzatore
11	RFN 99 228	vite
12	RFN 12 517	distanziale esterno ruote
13	RFN 12 512	ruota per carrello
14	RFN CS 6000/2RS	cuscinetto
15	RFN 12 516	distanziale interno ruote
16	RFN 12 513	perno per ruote
17	RFN 12 580	carrello per blindo
18	RFN 12 588	molla ammortizzatore
19	RFN 12 500	gruppo scatola tagliatore completo
20	RFN 99 555	dado basso m10
21	RFN 99 606	rondella piana m10
22	RFN 12 582	piatto comando finecorsa
23	RFN 12 584	staffa fiss. fili
24	RFN 99 012	vite
25	RFN 12 510	cremagliera
26	RFN 12 578	supporto per blindo
27	RFN 12 402	microinterruttore
28	RFN 99 626	rondella per M6 UNI 3703
29	RFN 99 022	vite TE M6x15
30	RFN 12 509 1	testata per chiusura traversa
31	RFN 14 074	piastra per blindo
32	RFN 14 075 1	coperutra di testa
33	RFN 99 625	rondella per M5 UNI 3703
34	RFN 99 015	vite TE M5x25

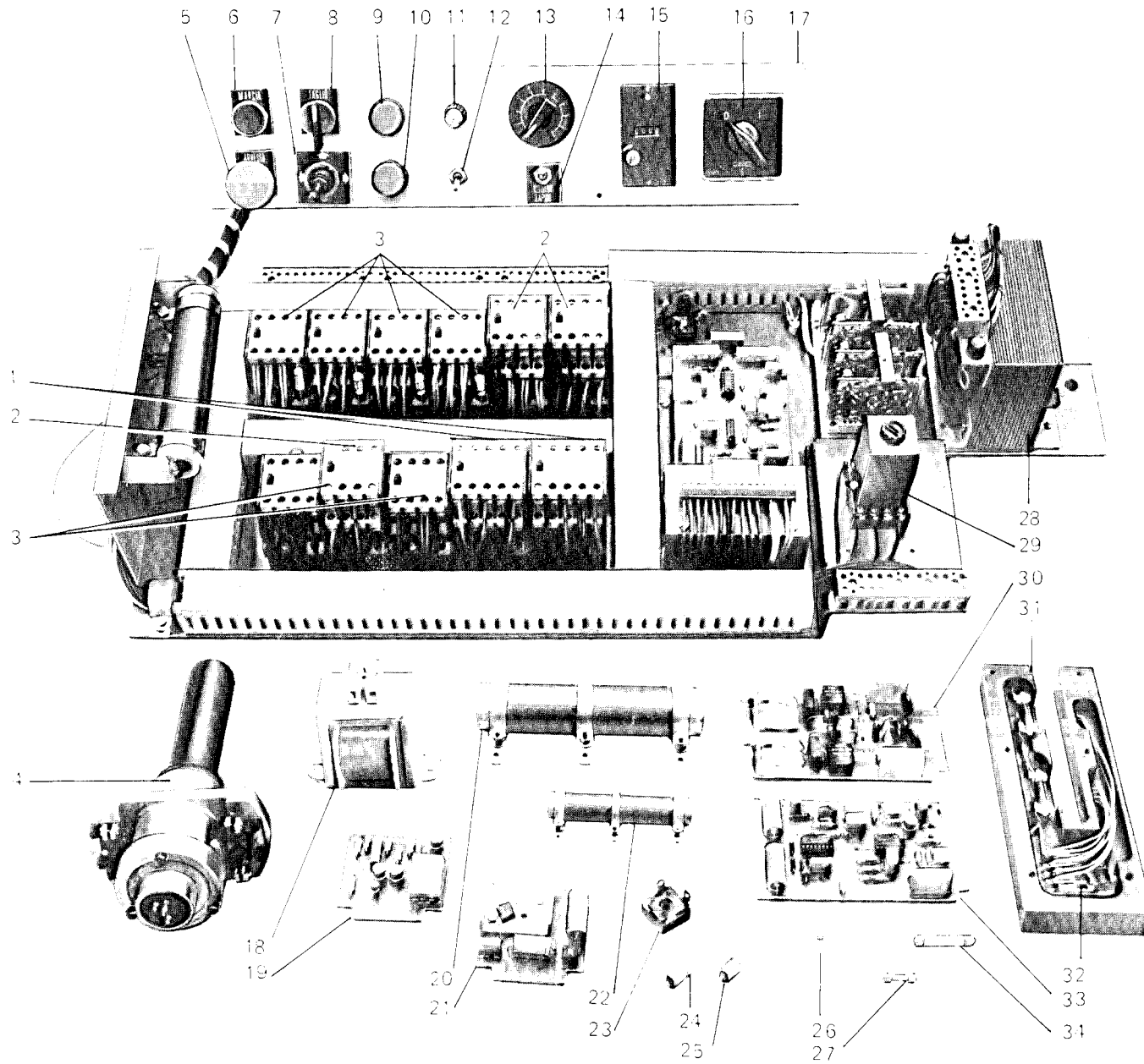


Fig. N. Abb. N.	Part. N. Bestell N. Piec N. Pieza N.	DESCRIZIONE
*	RFN 14/201/G	gruppo apparecchiatura completa per 727E1
1	RFN 14/214/1	teleruttore per TMA-TMI
2	RFN 14/220/1	teleruttore RM-MAT-MIT
3	RFN 14/219/1	teleruttore RF-RCT-D-S-SI-DE
4	RFN 14/281/G	gruppo comando a maniglia (solo per 727E1 MA)
5	RFN 14/224/1	pulsante ARRESTO
6	RFN 14/225/1	pulsante MARCIA
7	RFN 14/234/1	manipolatore 4 vie
8	RFN 14/218/1	deviatore comando manuale tagliatore
9	RFN 14/226/1	portalampada spia generale (6V)
10	RFN 14/216/1	portalampada spia cellule (24V)
11	RFN 14/228	potenziometro regolazione luce cellule
12	RFN 10/228	interruttore inserzione cellule
13	RFN 12/318/1	potenziometro regolazione velocità
14	RFN 14/229	deviatore comando RITORNO VELOCE
15	RFN 12/319	contaimpulsì a preselezione
16	RFN 14/241	interruttore generale
17	RFN 14/207/1	pannello pulsanti
18	RFN 14/236	reattanza protezione motore
19	RFN 10/222/1	pannello amplificatore per cellule CF3
20	RFN 12/313	resistenza 18 Ω
21	RFN 10/221/1	pannello stabilizzatore per cellule AS2
22	RFN 12/315	resistenza 94 Ω
23	RFN 12/302/1	raddrizzatore per RIC
24	RFN 14/217/1	lampadina spia generale (6V)
25	RFN 14/212/1	lampadina spia cellule (24V)
26	RFN 14/213/1	fototransistor per cellule
27	RFN 12/317	fusibile 5x20 da 2A
28	RFN 14/235	trasformatore di manovra
29	RFN 12/312/1	temporizzatore RR1
30	RFN 14/233/1	pannello TR2
31	RFN 14/044/1G	pinza foto cellula completa
32	RFN 14/044	fotocellula
33	RFN 14/232/1	pannello controllo CTR2
34	RFN 10/234	lampadina per pinza fotocellula

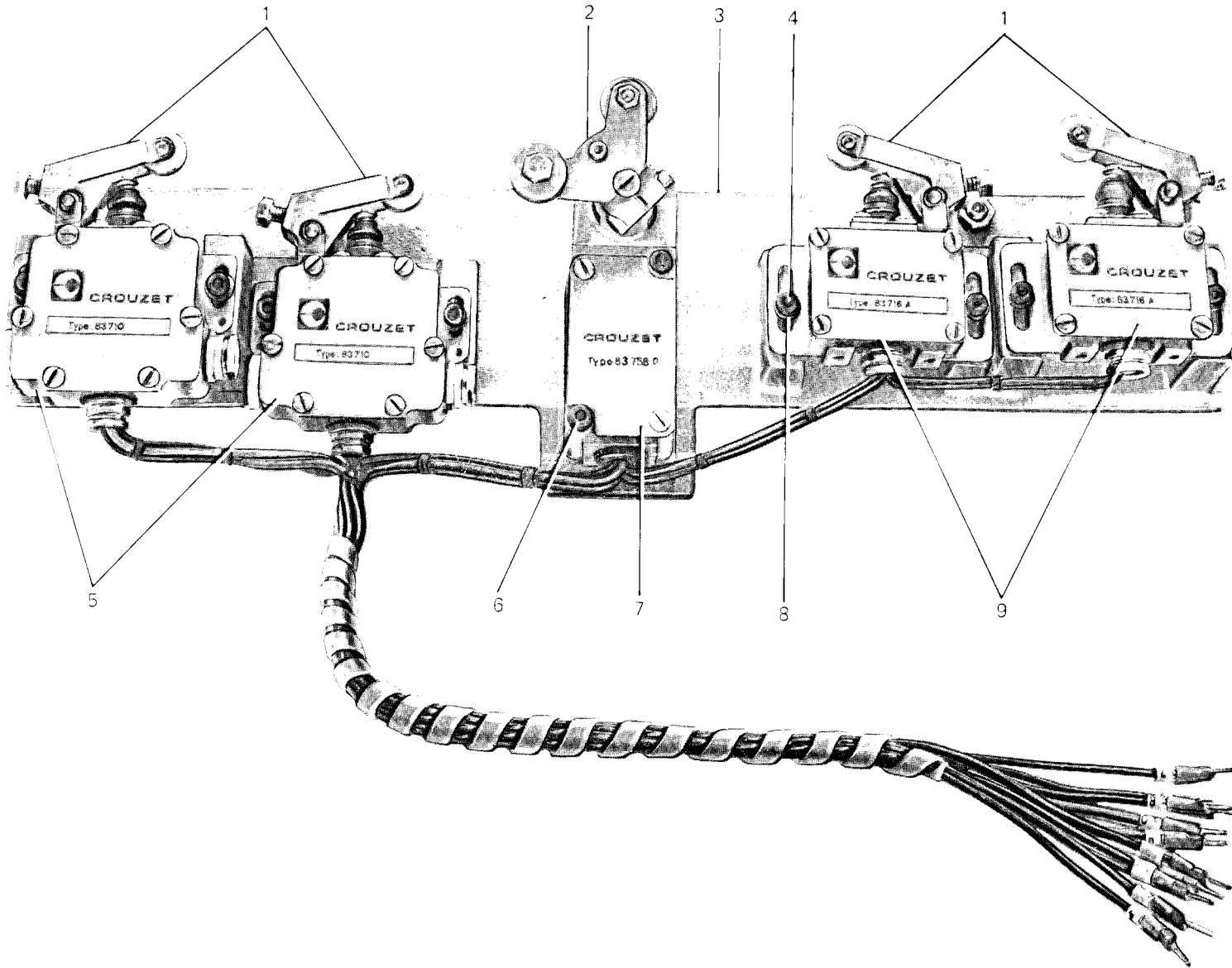


Fig. N Abb. N	Part. N Bestell. N Piece N. Pieza N.	DESCRIZIONE
1	RFN 12/404	leva per microinterruttore
2	RFN 12/405	leva per microinterruttore
3	RFN 12/428	piastra supporto microinterruttore
4	RFN 99/218	vite TCEI M5x15
5	RFN 12/402	microinterruttore tipo 83710
6	RFN 99/225	vite TCEI M5x50
7	RFN 12/403	microinterruttore tipo 83758-0
8	RFN 99/603	rondella per M5 UNI 1734
9	RFN 12/401	microinterruttore tipo 83716-A

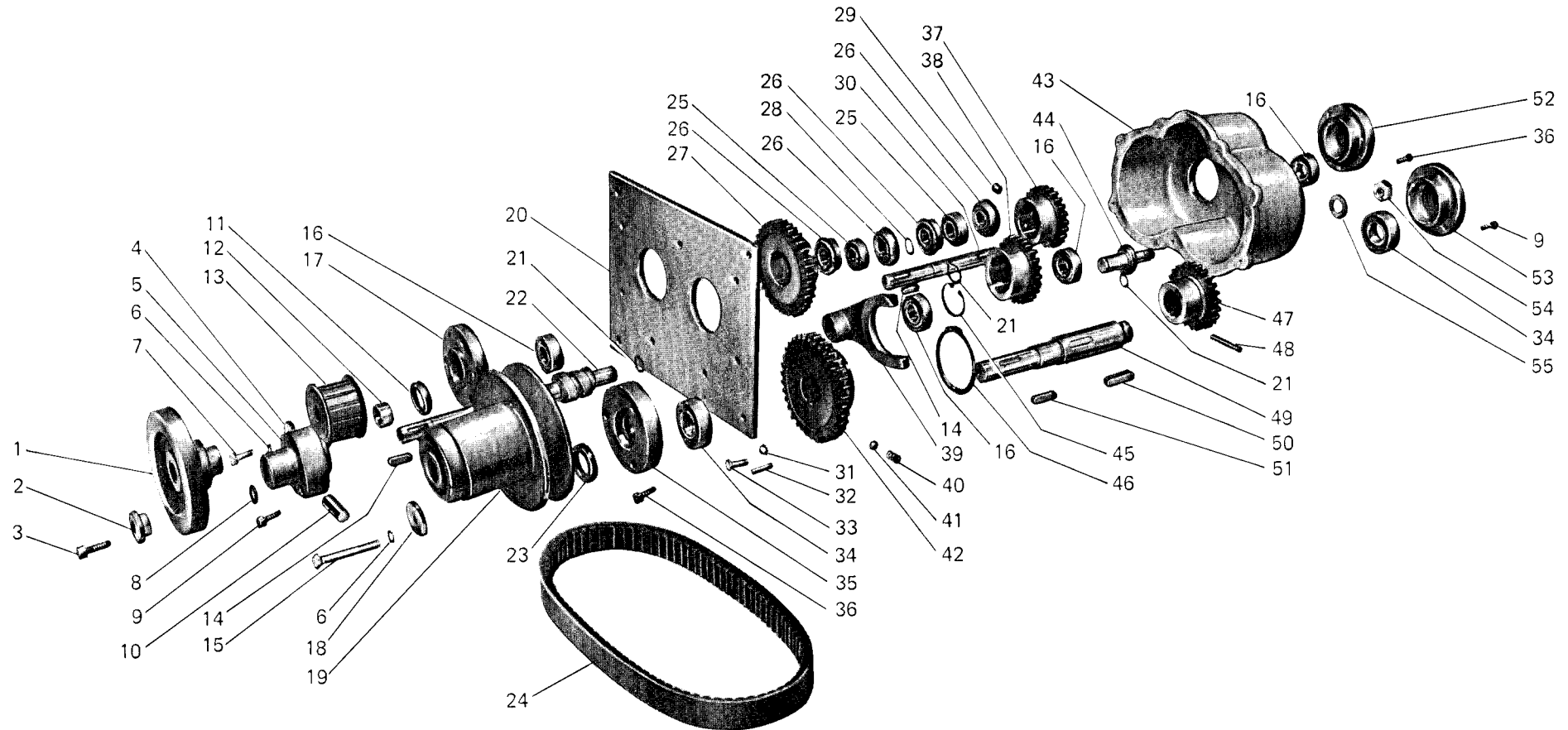


Fig. N. Abb. N.	Part. N. Bestell N. Piece N. Pieza N.	DESCRIZIONE
1	RFN 13/028	volantino comando innesto
2	RFN 12/162	rondella per volantino
3	RFN 99/229	vite
4	RFN 14/018	rondella bloccaggio puleggia
5	RFN 13/027	flangia per albero innesto
6	RFN 99/626	rondella a ventaglio m6
7	RFN 99/022	vite
8	RFN 13/038	guarnizione per flangia innesto
9	RFN 99/218	vite
10	RFN 13/031	perno scorrimento innesto
11	RFN CR/20/307	corteco
12	RFN 12/171	distanziale
13	RFN 14/015	puleggia comando sulla scatola
14	RFN 98/212	chiavetta 5 x 20
15	RFN 99/116	vite
16	RFN CS/6202/Z	cuscinetto
17	RFN 12/023	flangia lato uscita scatola
18	RFN 12/160	rondella bloccaggio puleggia
19	RFN 12/246	puleggia variabile MONO
20	RFN 13/022	piastra per scatola rinvio
21	RFN 98/310	anello elastico
22	RFN 13/026	albero comando innesto
23	RFN CR/20/327	corteco
24	RFN 12/248	cinghia dentata
25	RFN 12/256	ruota libera
26	RFN CS/6202/NR	cuscinetto
27	RFN 12/167	ingranaggio grande
28	RFN 99/659	rondella PS m16
29	RFN 99/441/A	grano m10 x 10
30	RFN 14/014	albero uscita scatola rinvio
31	RFN 99/625	rondella a ventaglio m5
32	RFN 99/908	spina conica 4 x 15
33	RFN 99/012	vite
34	RFN CS/6004/RS	cuscinetto
35	RFN 12/025	flangia albero entrata
36	RFN 99/217	vite
37	RFN 12/168	ingranaggio piccolo
38	RFN 12/169	ingranaggio folle
39	RFN 13/030	leva innesto
40	RFN 13/036	molla sfera ingr. scorrevole
41	RFN 13/037	sfera ingr. scorrevole
42	RFN 13/024	ingranaggio scorrevole
43	RFN 12/013	scatola rinvio
44	RFN 12/170	perno per ingr. folle
45	RFN 98/416	anello elastico
46	RFN 98/329	anello elastico
47	RFN 13/025	ingranaggio fisso

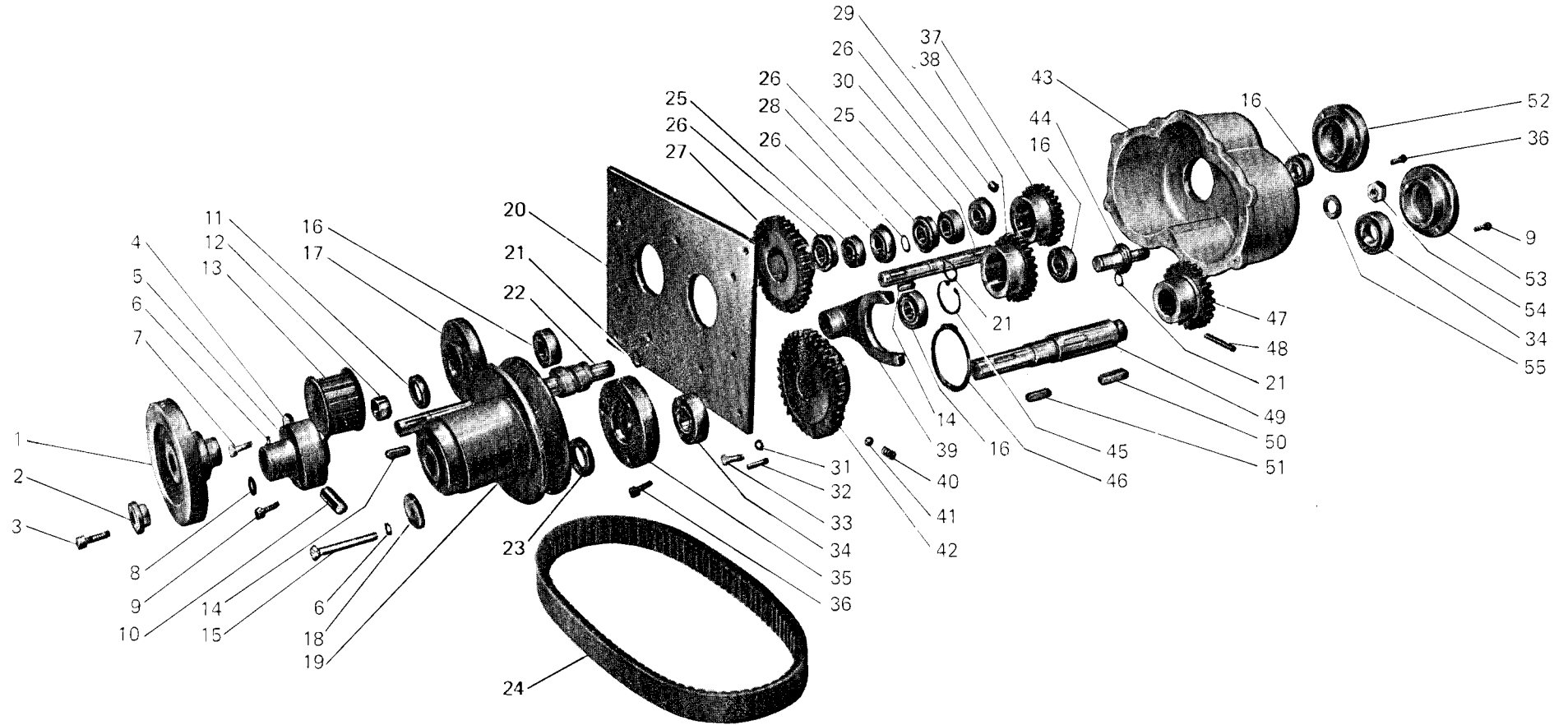


Fig. N. Abb. N.	Part. N. Bestell N. Piece N. Pieza N.	DESCRIZIONE
48	RFN 98/022	spina elastica 5 x 40
49	RFN 13/023	albero entrata scatola rinvio
50	RFN 98/234	chiavetta
51	RFN 98/222	chiavetta
52	RFN 14/013	flangia cieca scatola rinvio
53	RFN 12/024	flangia cieca albero entrata
54	RFN 99/532	dado medio m12
55	RFN 99/607	rondella a ventaglio m6

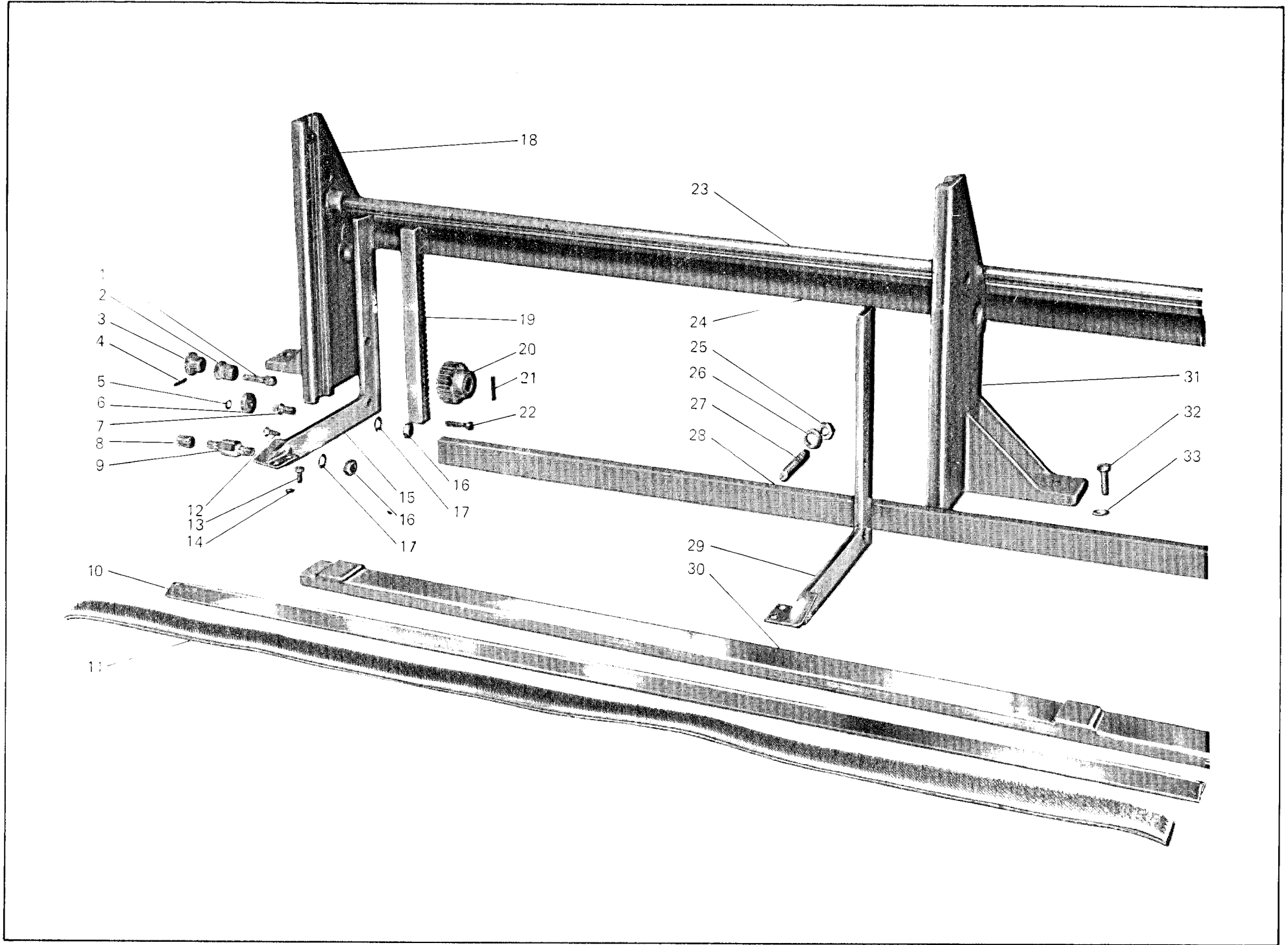


Fig. N. Abb. N.	Part. N. Bestell N. Piecce N. Pieza N.	DESCRIZIONE
1	RFN 14/615	perno di fermo
2	RFN 14/614	boccola per fermo pinza
3	RFN 14/616	pomello per perno di fermo
4	RFN 98/010	spina elastica 4x10
5	RFN 98/308	anello elastico
6	RFN CS/6000/ZZ	cuscinetto
7	RFN 14/610	perno per cuscinetto guida
8	RFN 09/078	rullino per sollevamento pinza
9	RFN 14/611	perno per rullino sollevamento
10	RFN 09/086	profilato bloccaggio scardasso
11	RFN 09/116	scardasso per pinza
12	RFN 99/024	vite
13	RFN 99/021	vite
14	RFN 99/626	rondella a ventaglio m 6
15	RFN 14/607	asta portapinza lato comandi
16	RFN 99/531	dado medio m10
17	RFN 99/628	rondella a ventaglio m10
18	RFN 14/601	fiancata lato comandi
19	RFN 14/609	cremagliera
20	RFN 14/606	ingranaggio per albero
21	RFN 98/013	spina elastica 4 x 35
22	RFN 99/233	vite
23	RFN 14/605	albero di compensazione
24	RFN 14/603	tubo collegam. fiancate
25	RFN 99/532	dado medio m12
25	RFN 99/607	rondella piana m12
27	RFN 14/604	prigioniero bloccaggio tubo
28	RFN 14/613	traversa di collegamento asta
29	RFN 14/608	asta portapinza lato motore
30	RFN 14/618	custodia per scadassi
31	RFN 14/602	fiancata lato motore
32	RFN 99/034	vite
33	RFN 99/605	rondella piana m8

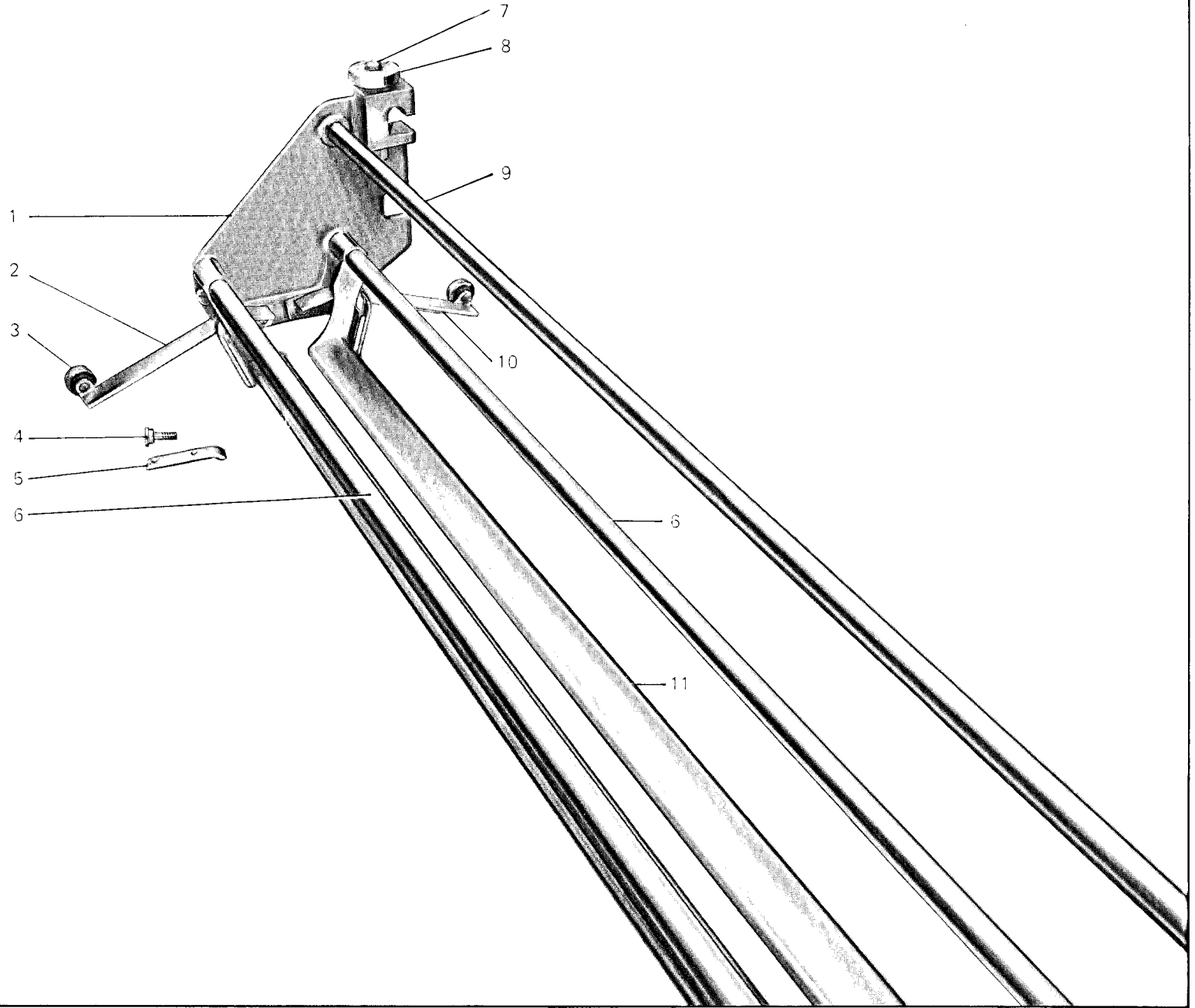


Fig. N Abb N	Part. N Bestell N Piece N Pieza N	DESCRIZIONE
*	RFN 13/003/G	gruppo traversa per ZIG-ZAG completa
1	RFN 13/004	supporto lato motore
2	RFN 13/017/1	scivolo sollevamento pinza
3	RFN 13/020	rotella scivoli
4	RFN 13/018	perno per scivoli
5	RFN 13/014	piastrina per supporti tubi ovali
6	RFN 13/012	tirante per supporto tubi ovali
7	RFN 13/032	vite ancoraggio supporti
8	RFN 13/033	pomello per vite ancoraggio supporti
9	RFN 13/010	tirante collegamento supporti
10	RFN 13/016/1	scivolo sollevamento pinza
11	RFN 13/015	tubo ovale

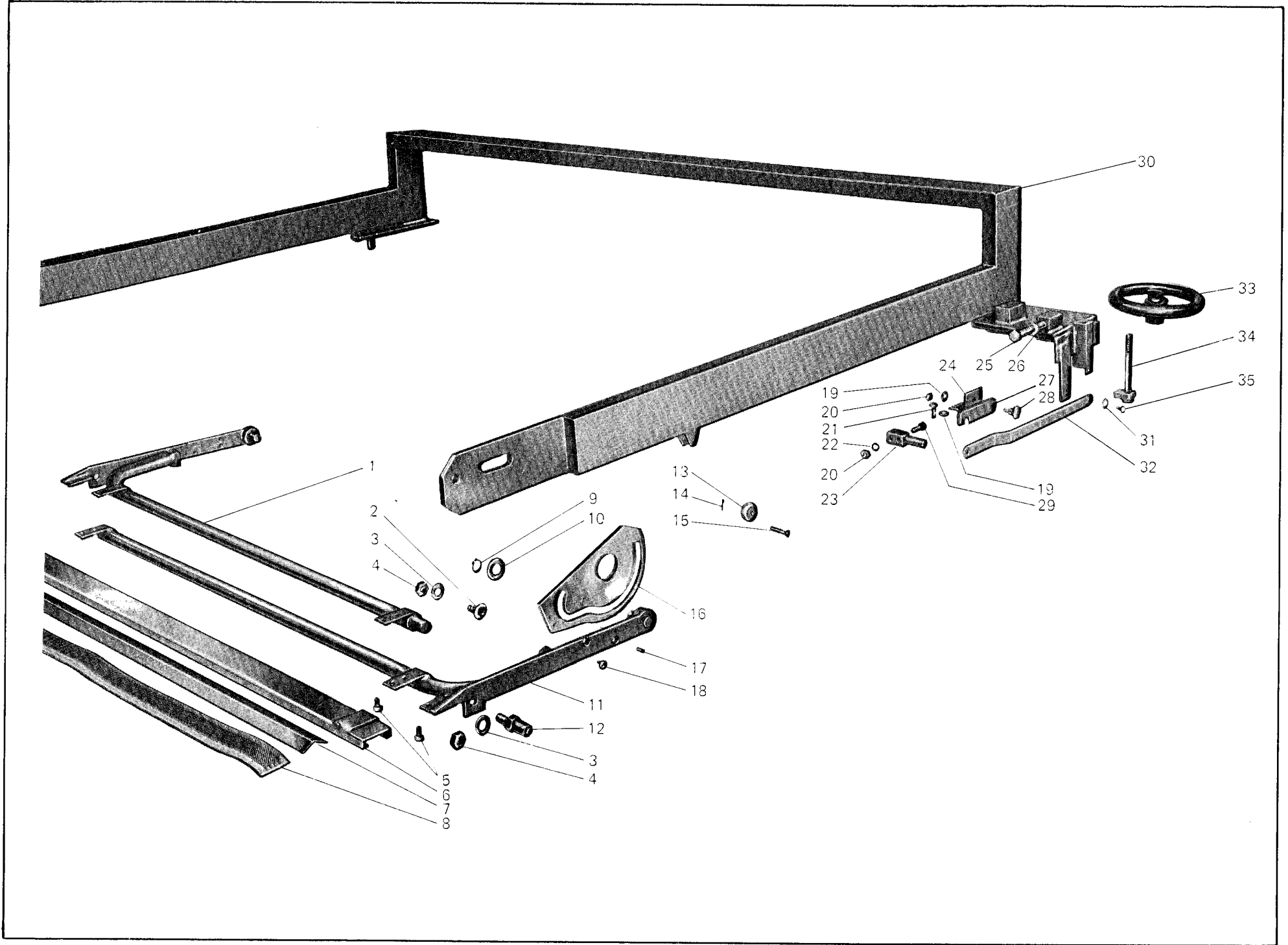


Fig. N. Abb. N.	Part. N. Bestell N. Piece N. Pieza N.	DESCRIZIONE
1	RFN 13/506	leva pinza lato motore
2	RFN 13/509	perno per camme
3	RFN 99/606	rondella piena m10
4	RFN 99/531	dado m10
5	RFN 99/021	vite
6	RFN 13/513	custodia scardasso
7	RFN 09/086	profilato per fissaggio scardasso
8	RFN 09/116	scardasso
9	RFN 98/310	anello elastico
10	RFN 13/510	rondella per leva pinza
11	RFN 13/505	leva pinza lato comandi
12	RFN 13/511	perno sollevamento pinza
13	RFN 13/504	rotellina scorrimento pinza
14	RFN -	coppiglia Ø 2 x 30
15	RFN 13/522	perno per rotella
16	RFN 13/508	camme comando pinza
17	RFN 98/009	spina elastica Ø 4 x 15
18	RFN 99/716	vite
19	RFN 99/605	rondella piana m8
20	RFN 99/530	dado medio m8
21	RFN 99/034	vite
22	RFN 99/627	rondella a ventaglio m8
23	RFN 13/520	attacco sulla mc/per trascin.
24	RFN 13/517	supporto per leva aggancio mc/
25	RFN 99/160	vite
26	RFN 99/532	dado medio m12
27	RFN 13/518	leva aggancio alla mc/
28	RFN 13/519	perno per leva aggancio
29	RFN 99/244	vite
30	RFN 13/501	telaio sostegno pinza
31	RFN 99/604	rondella piana m6
32	RFN 13/521	leva collegamento
33	RFN 13/503	volantino
34	RFN 13/502	vite bloccaggio
35	RFN 99/022	vite

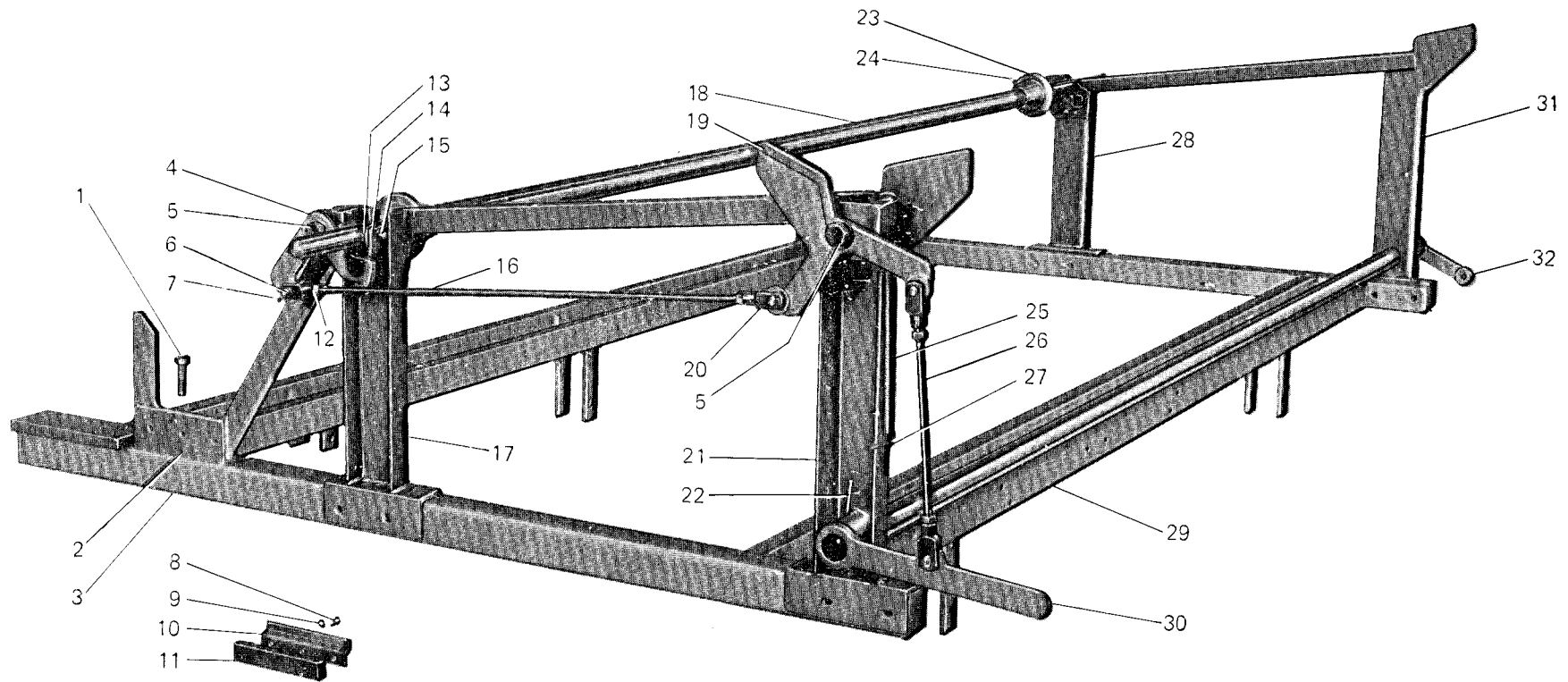


Fig. N. Abb. N.	Part. N. Bestell N. Piece N. Pieza N.	DESCRIZIONE
1	RFN 99/126	vite
2	RFN 14/403	scivolo raccoglitore
3	RFN 14/108	carrello
4	RFN 14/416	leva scarico pezza ultimata
5	RFN 14/414	perno per leva
6	RFN 14/410	pernetto per forcella
7	RFN 99/409/E	grano CE m 4 x 10
8	RFN 99/011	vite
9	RFN 99/625	rondella a ventaglio m5
10	RFN 14/418	supporto fissaggio gomma
11	RFN 14/417	gomma ammortizzatrice
12	RFN 14/409	controdado
13	RFN 14/421	cuoio per forcella freno
14	RFN 14/420	forcella freno albero portapezza
15	RFN 99/707	vite
16	RFN 14/415	tirante orizzontale
17	RFN 14/402	supporto pezza anteriore lato comandi
18	RFN 14/419	albero portapezza
19	RFN 14/413	leva aggancio pezza scorta
20	RFN 14/408	forcella per tiranti
21	RFN 14/401	supporto pezza posteriore lato comandi
22	RFN 98/022	spina elastica 5 x 40
23	RFN 14/117	cono per blocc. pezza
24	RFN 98/113	vite a galletto m6 x 25
25	RFN 14/411	molla di richiamo
26	RFN 14/407	tirante verticale
27	RFN 14/412	perno aggancio molla
28	RFN 14/402/A	supporto pezza anteriore lato motore
29	RFN 14/405	albero
30	RFN 14/404	leva comando scarico lato comandi
31	RFN 14/401/A	supporto pezza posteriore lato motore
32	RFN 14/406	leva comando scarico lato motore

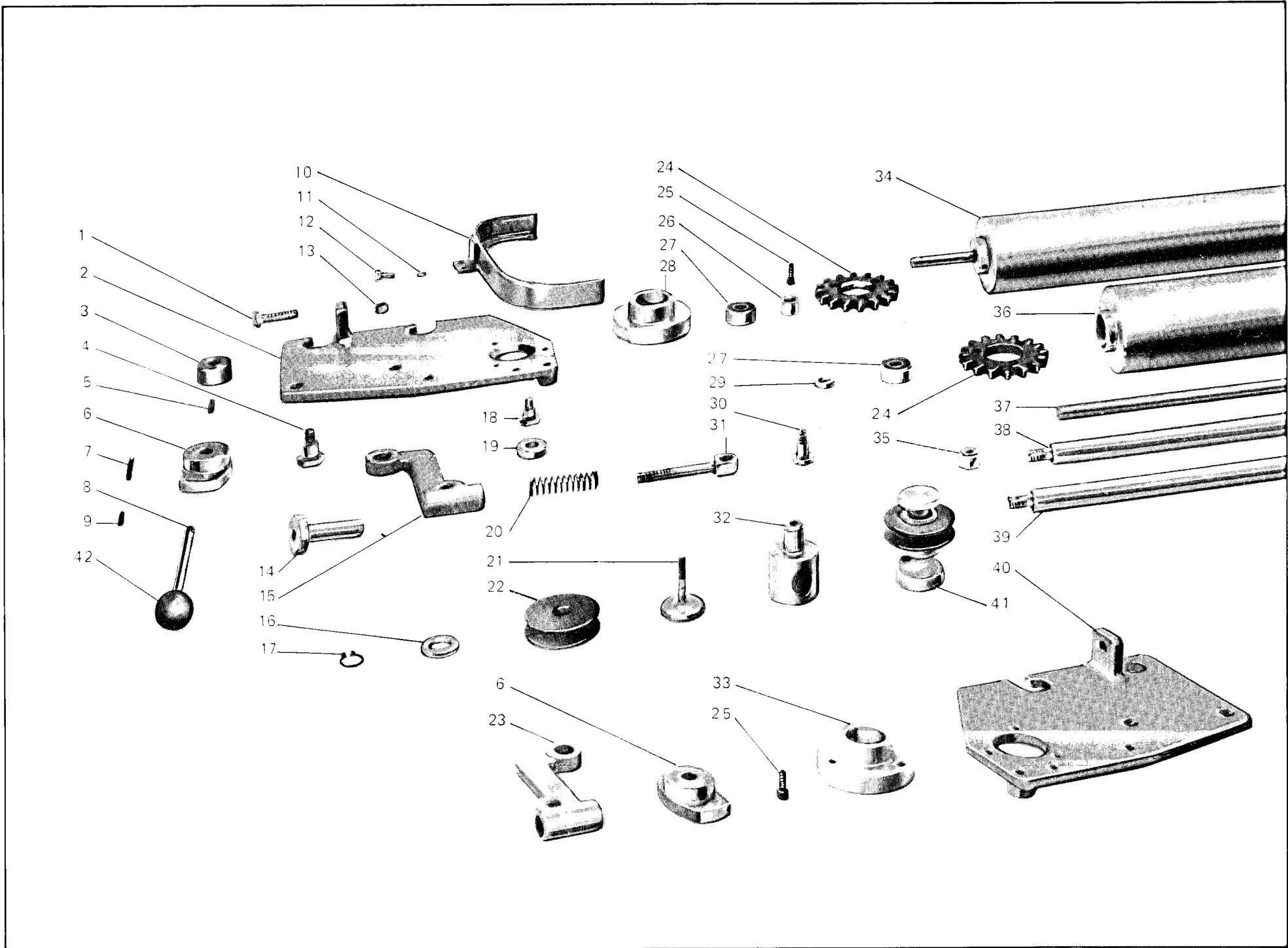


Fig. N Abb N	Part N Bestell N Piece N Pieza N	DESCRIZIONE
1	RFN 99/038	vite TE M8x40
2	RFN 14/802	spalletta porta cilindri L. motore
3	RFN 14/809	giunto collegamento cilindri
4	RFN 12/115	perno per leva
5	RFN 98/012	spina elastica \varnothing 4x30
6	RFN 12/109	eccentrico
7	RFN 98/014	spina elastica \varnothing 4x40
8	RFN 12/110	leva comando eccentrico
9	RFN 98/010	spina elastica \varnothing 4x20
10	RFN 14/808	copertura ingranaggi
11	RFN 99/603	rondella per M5 UNI 1734
12	RFN 99/011	vite TE M5x10
13	RFN 99/506	dado M8 UNI 5587
14	RFN 12/113	pomello regolazione cilindri
15	RFN 12/019/Sx	leva porta cilindri
16	RFN 12/238	rondella per carrucola guida tessuto
17	RFN 98/311	seeger 16E
18	RFN 12/134	perno per rullino appoggio
19	RFN 12/133	rullino appoggio
20	RFN 12/112	molla per pressione
21	RFN 12/126	pomolo per fissaggio
22	RFN 12/125	carrucola guida tessuto
23	RFN 12/019/Dx	leva porta cilindri
24	RFN 12/101	ingranaggio Z=24 m=4
25	RFN 99/229	vite TCEI M6x15
26	RFN 14/828	distanziale per cilindro conduttore
27	RFN CS/2201/2RS	cuscinetto RIV-SKF
28	RFN 14/802/A	flangia supporto cilindri L. motore
29	RFN 14/829	distanziale per cilindro condotto
30	RFN 12/114	perno
31	RFN 12/111	bullone a occhio
32	RFN 12/124/A	perno per carrucola
33	RFN 14/801/A	flangia supporto L. com.
34	RFN 14/803	cilindro conduttore
35	RFN 99/508	dado M12 UNI 5587
36	RFN 14/804	cilindro condotto
37	RFN 14/807	albero per cilindro condotto
38	RFN 14/805	tirante sup. colleg. spalle
39	RFN 14/806	tirante inf. colleg. spalle
40	RFN 14/801	spalla porta cilindri L. com.
41	RFN 12/124/G	carrucola guida tessuto
42	RFN 12/243	sfera bakelite \varnothing 30xM8

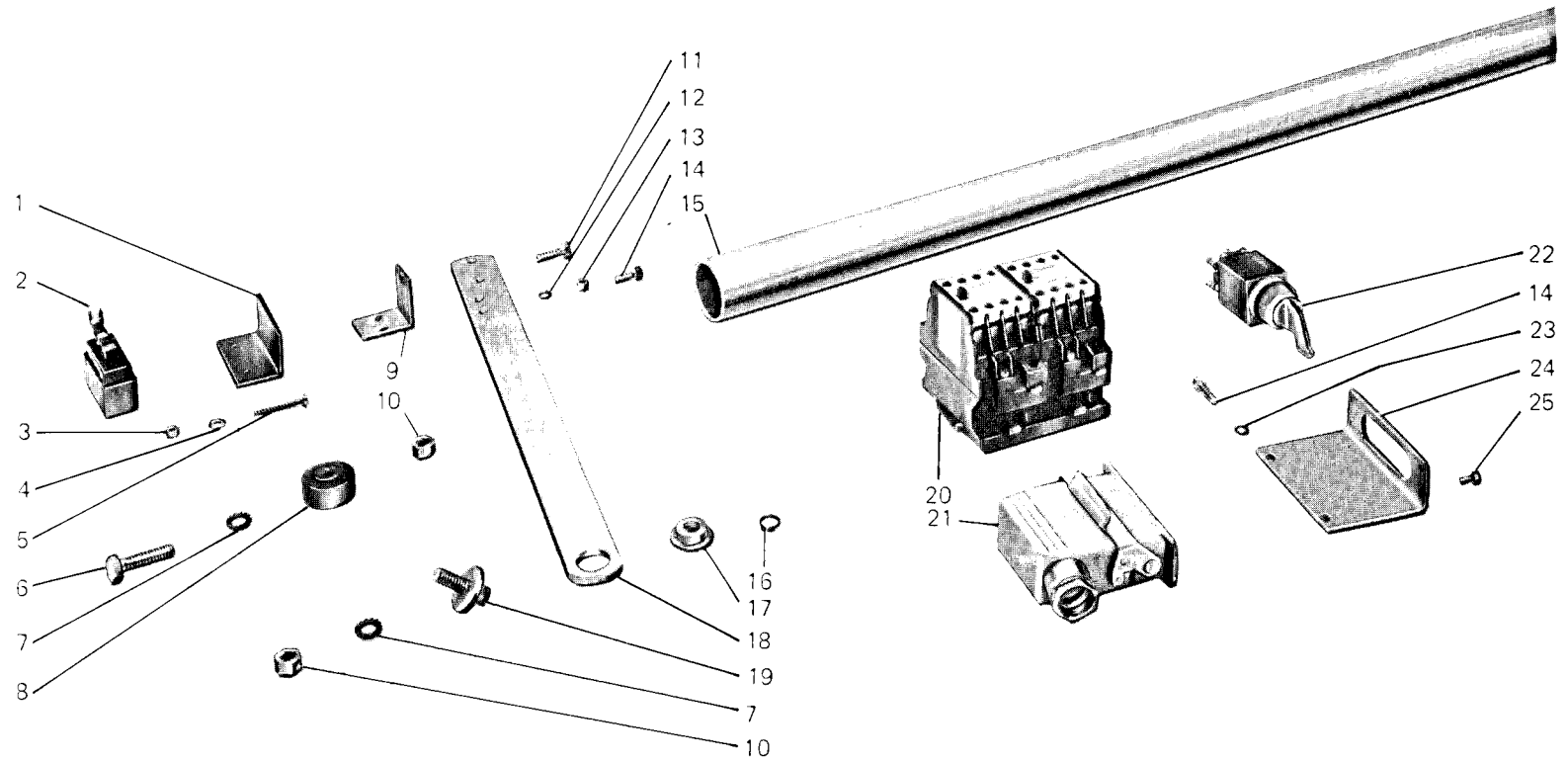


Fig. N. Abb. N.	Part. N. Bestell N. Piecce N. Pieza N.	DESCRIZIONE
1	RFN 14/863	supporto micro fine corsa tastatore
2	RFN 14/877	microinterruttore tipo 83118-S1-B51
3	RFN 99/503	dado M4 UNI 5587
4	RFN 99/602	rondella per M4 UNI 1734
5	RFN 99/817	vite TC M4x30
6	RFN 99/036	vite M8x30
7	RFN 99/627	rondella per M8 UNI 3703
8	RFN 09/058/1	rullino per bilanciere
9	RFN 14/864	squadretta
10	RFN 99/506	dado M8 UNI 5587
11	RFN 99/022	vite TE
12	RFN 99/624	rondella per M4 UNI 3703
13	RFN 99/504	dado M5 UNI 5587
14	RFN 99/012	vite TE M5x15
15	RFN 14/861	cilindro tastatore
16	RFN 98/308	seeger 10E
17	RFN 14/859	boccola per leva
18	RFN 14/858	leva per cilindro tastatore
19	RFN 14/860	perno per leva
20	RFN 14/876	teleruttore tipo 3-T-B-4011-0AF
21	RFN 14/878	connettore collegamento cablaggio (10 poli)
22	RFN 14/875	deviatore comandi tipo 100 SUL 2
23	RFN 99/625	rondella per M5 UNI 3703
24	RFN 14/865	supporto connettore
25	RFN 99/208	vite TCE1 M4x10

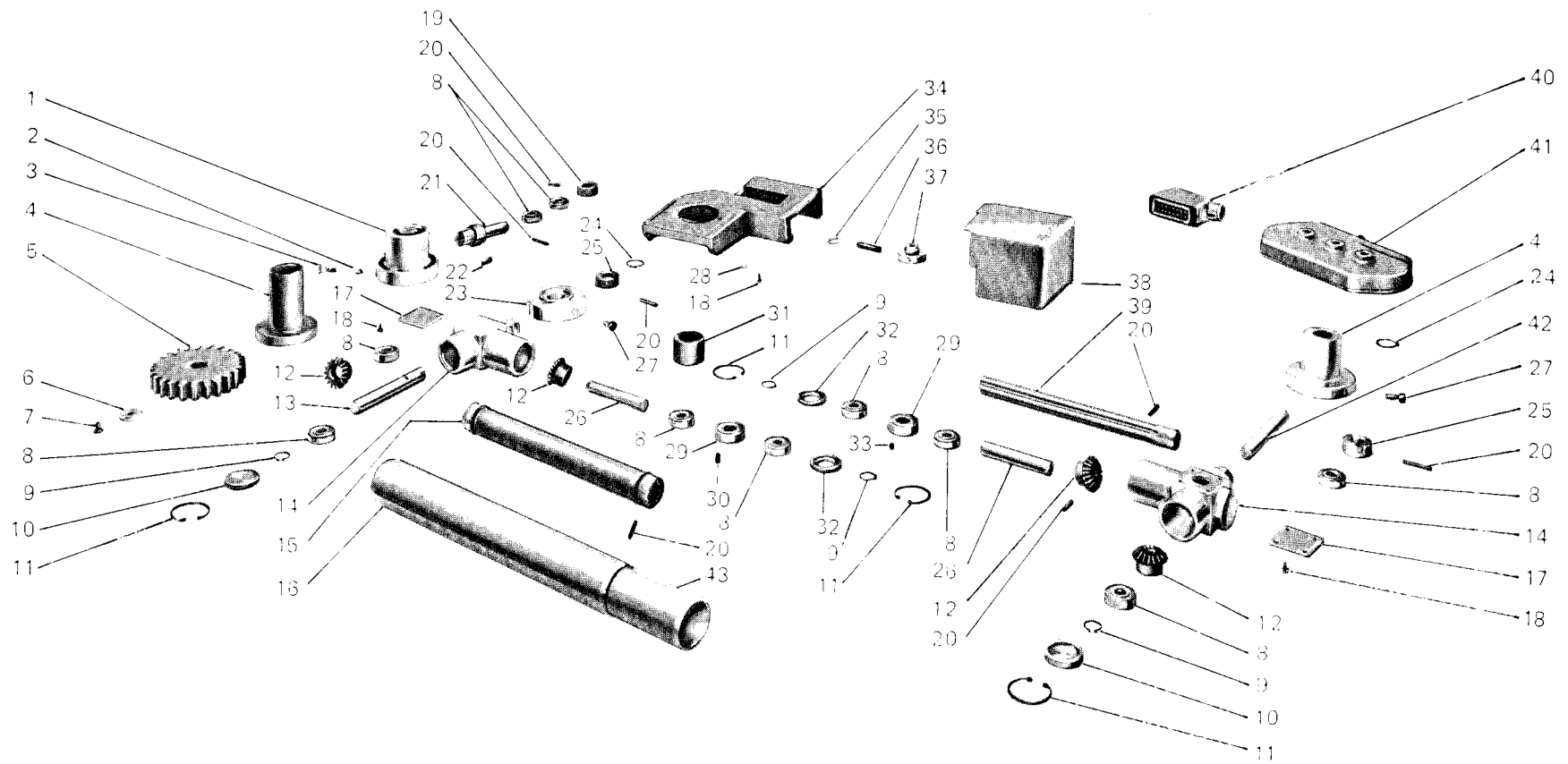


Fig. N. Abb. N.	Part. N. Bestell N. Piece N. Pieza N.	DESCRIZIONE
1	RFN 14/818	flangia eccentrica
2	RFN 99/604	rondella per M6 UNI 1734
3	RFN 99/025	vite TE M6x25
4	RFN 14/810	flangia collegamento
5	RFN 14/820	ingranaggio fibra Z=24 m=4
6	RFN 14/830	rondella fissaggio ingranaggio
7	RFN 99/333	vite EITS M6x16
8	RFN CS/6202/Z	cuscinetto RIV-SKF
9	RFN 98/310	seeger 15E
10	RFN 12/186	coperchietto per rinvio angolare
11	RFN 98/416	seeger 35I
12	RFN 12/179	ingranaggio conico Z=16 m=2
13	RFN 12/176	albero cilindri inferiori
14	RFN 12/009	fusione per rinvio angolare
15	RFN 12/183	tubo collegamento
16	RFN 14/814	tubo superiore di protezione
17	RFN 12/188	coperchietto per rinvio angolare
18	RFN 99/014	vite TE M5x20
19	RFN 14/809	giunto collegamento
20	RFN 98/011	spina elastica ψ 4x25
21	RFN 14/817	albero
22	RFN 98/219	chiavetta 6x6x15
23	RFN 14/815	flangia collegamento
24	RFN 98/314	seeger 22E
25	RFN 12/174	giunto per rinvio angolare
26	RFN 12/178	albero intermedio rinvio angolare
27	RFN 99/231	vite TCEI M6x20
28	RFN 99/603	rondella per M5 UNI 1734
29	RFN 12/185	distanziale sagomato per rinvio
30	RFN 99/425/A	grano M6x20
31	RFN 14/812	flangia per tubo protezione
32	RFN 12/187	tappo forato per rinvio
33	RFN 99/423/A	grano M6x10
34	RFN 14/819	supporto estraibile
35	RFN 99/605	rondella per M8 UNI 1734
36	RFN 14/822	prigioniero per bloccaggio supporto
37	RFN 14/823	pomello
38	RFN 14/821	copertura ingranaggio
39	RFN 14/811	albero scanalato
40	RFN 14/240	connettore zig-tub.
41	RFN 14/312	carter-supporto
42	RFN 12/177	albero comando rinvio ang.
43	RFN 14/813	tubo interno

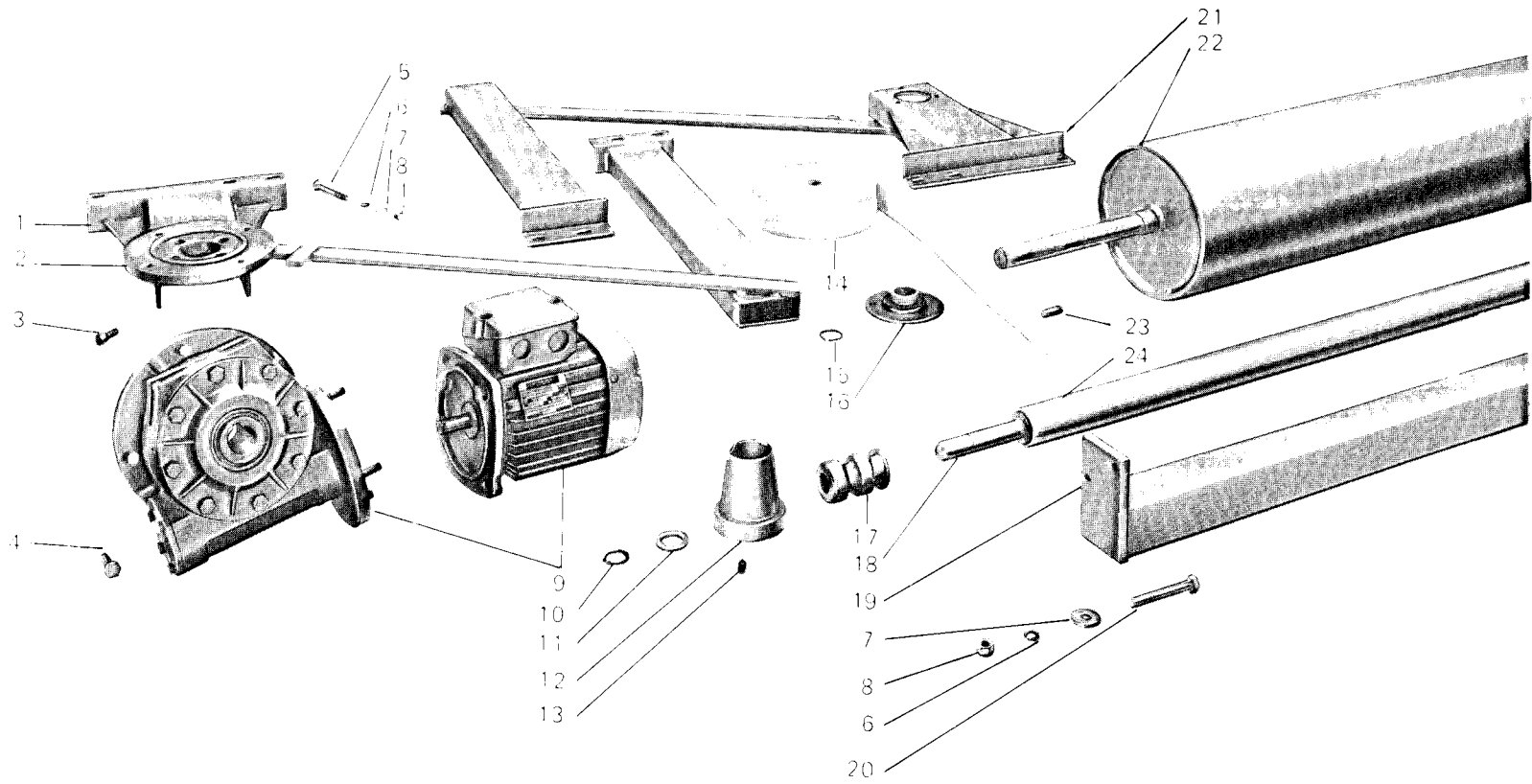


Fig Abb	N	Part. N Bestell N Piecè N Pieza N.	DESCRIZIONE
5	1	RFN 14/852	supporto lato motore
	2	RFN 14/855	flangia attacco motoriduttore
	3	RFN 99/244	vite TCEI M8x25
	4	RFN 99/044	vite TE M10x20
	5	RFN 99/132	vite TE M8x70
	6	RFN 99/627	rondella per M8 UNI 3703
	7	RFN 99/605	rondella per M8 UNI 1734
	8	RFN 99/506	dado M8 UNI 5587
	9	RFN 14/856	motoriduttore MVF 62/FC Bonfiglioli
	10	RFN 98/313	seeger 20E
	11	RFN 12/055	distanziale perno ruota
	12	RFN 14/869	cono per albero porta pezze
	13	RFN 99/431/A	grano M8x10 UNI 5923
	14	RFN 14/870	rivestimento per cilindro
	15	RFN 98/316	seeger 25E
	16	RFN 14/879	supporto flangia ASAHY-BPF-5B
	17	RFN 14/868	rocchetto per albero porta pezze
	18	RFN 14/867	perno per albero porta pezze
	19	RFN 14/853	traversa posteriore
	20	RFN 99/127	vite TE M8x45
	21	RFN 14/851	supporto lato comandi
	22	RFN 14/854	cilindro alimentatore
	23	RFN 98/234	chiavetta 8x7x30
	24	RFN 14/866	albero porta pezze

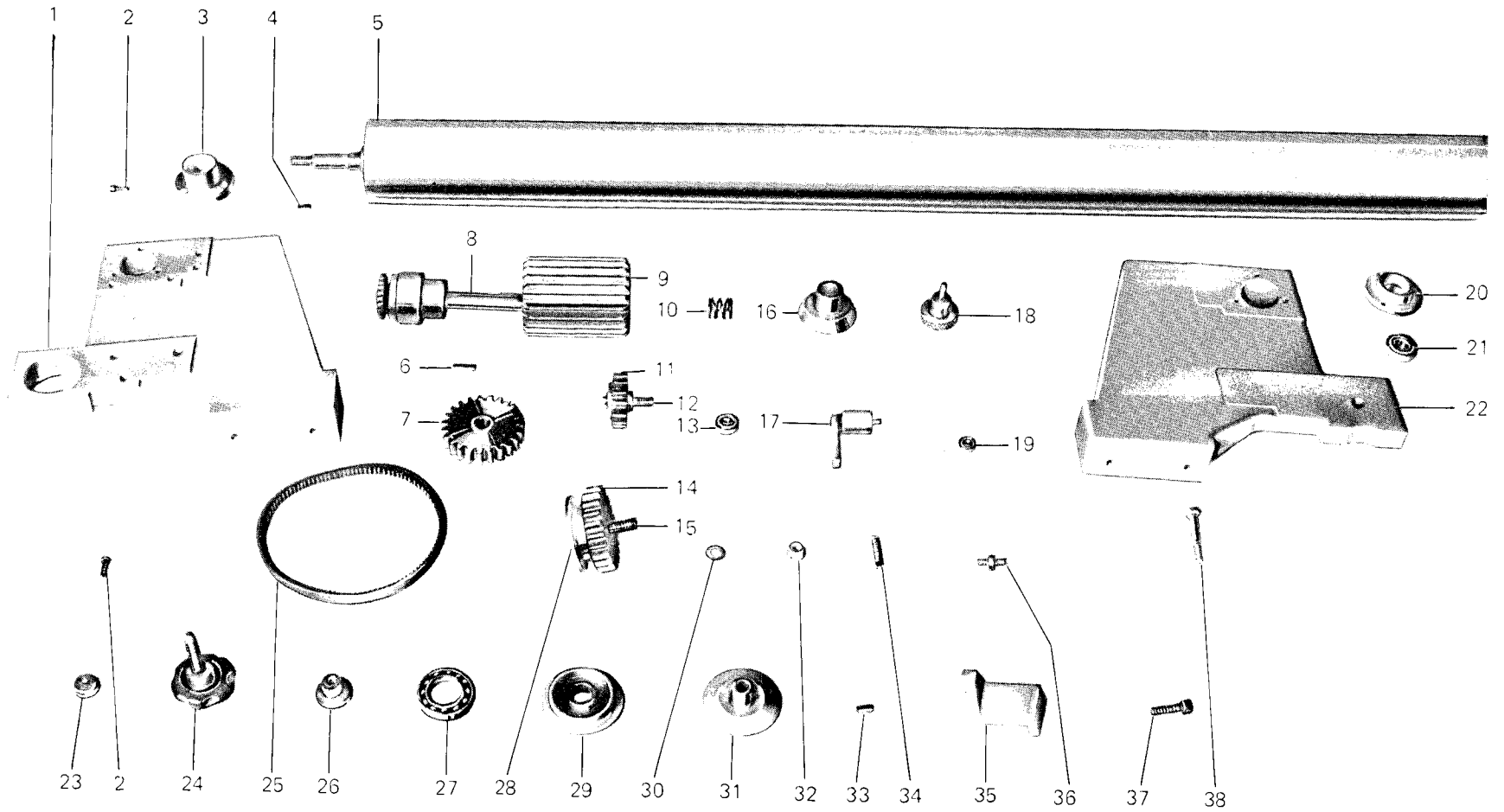


Fig. N Abb. N	Part. N Bestell N Piec N. Pieza N.	DESCRIZIONE
—	RFN 14/900	gruppo Imatic completo
1	RFN 14/921	spalletta lato comandi
2	RFN 99/229	vite TCEI M6x15 UNI 5931
3	RFN 14/938	flangia per cilindro di comando
4	RFN 98/221	chiavetta 6x6x20 UNI 192
5	RFN 14/941	cilindro di comando
6	RFN 98/030	chiavetta tonda
7	RFN 14/923	ingranaggio Z= 23 m= 4
8	RFN 14/924	albero per frizione
9	RFN 14/925	ingranaggio alluminio Z= 23 m= 4
10	RFN 14/927	molla per frizione
11	RFN 14/930	ingranaggio Z= 16 m= 4
12	RFN 14/931	perno
13	RFN CS/6202/2Z	cuscinetto SKF (15x35x11)
14	RFN 14/933	ingranaggio Z= 23 m= 4
15	RFN 14/935	perno per ingranaggio e puleggia
16	RFN 14/926	frizione
17	RFN 14/946	tendicinghia
18	RFN 14/929	pomello di regolazione
19	RFN CS/608/2Z	cuscinetto SKF (8x22x7)
20	RFN 14/940	flangia per cilindro di comando
21	RFN CS/6004/2RS	cuscinetto SKF (20x42x12)
22	RFN 14/922	spalletta lato motore
23	RFN 14/942	rondella per cilindro
24	RFN 14/951	pomello per regolazione puleggia
25	RFN 14/950	cinghia per puleggia variabile
26	RFN 14/952	ghiera di bloccaggio
27	RFN CS/6007	cuscinetto SKF (35x62x14)
28	RFN 14/934	puleggia
29	RFN 10/035	semipuleggia mobile
30	RFN 99/607	rondella M12 UNI 1734
31	RFN 10/034	semipuleggia fissa
32	RFN 99/544	dado M12 medio UNI 5588
33	RFN 98/232	chiavetta 8x7x20 UNI 192
34	RFN 14/944	molla
35	RFN 10/036	supporto per vite di regolazione
36	RFN 14/947	perno per tendi cinghia
37	RFN 99/244	vite TCEI M8x25 UNI 5931
38	RFN 99/127	vite TE M8x45 UNI 5737

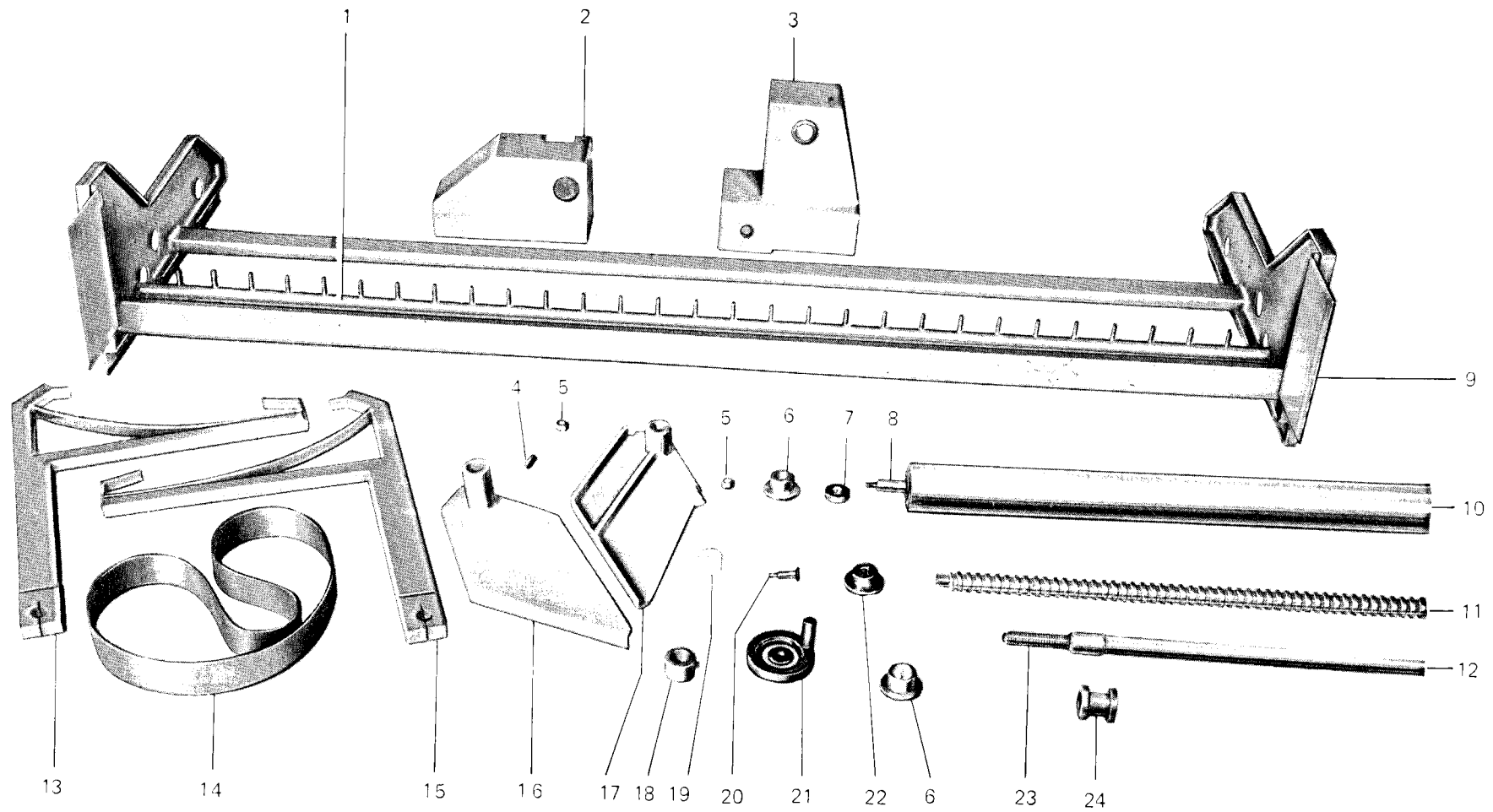


Fig. N Abb. N	Part. N Bestell N Piecè N Pieza N	DESCRIZIONE
—	RFN 14/970	culla a nastri Imatic completa
1	RFN 14/976	rastrelliera
2	RFN 14/954	carter
3	RFN 14/953	carter
4	RFN 14/065	grano di regolazione per madrevite
5	RFN 99/544	dado M12 medio UNI 5588
6	RFN 14/977	flangetta per rastrelliera
7	RFN CS/6004/2Z	cuscinetto SKF (20x42x12)
8	RFN 14/972	albero per cilindro
9	RFN 14/970	telaio per culla a nastri
10	RFN 14/971	tubo alluminio
11	RFN 14/981	madrevite
12	RFN 14/992	tubo per albero porta pezze
13	RFN 14/994	braccio per caricatore lato motore
14	RFN 14/995	nastro di trasporto tessuto
15	RFN 14/993	braccio per caricatore lato comandi
16	RFN 14/985	lamiera mobile guida tessuto
17	RFN 14/986	lamiera fissa guida tessuto
18	RFN 14/987	distanziale
19	RFN 14/984	rullino di registro
20	RFN 14/983	perno per rullino
21	RFN 14/988	volantino di regolazione
22	RFN 14/980	boccola per madrevite
23	RFN 14/991	terminale per albero porta pezze
24	RFN 14/989	rocchetto per albero porta pezze

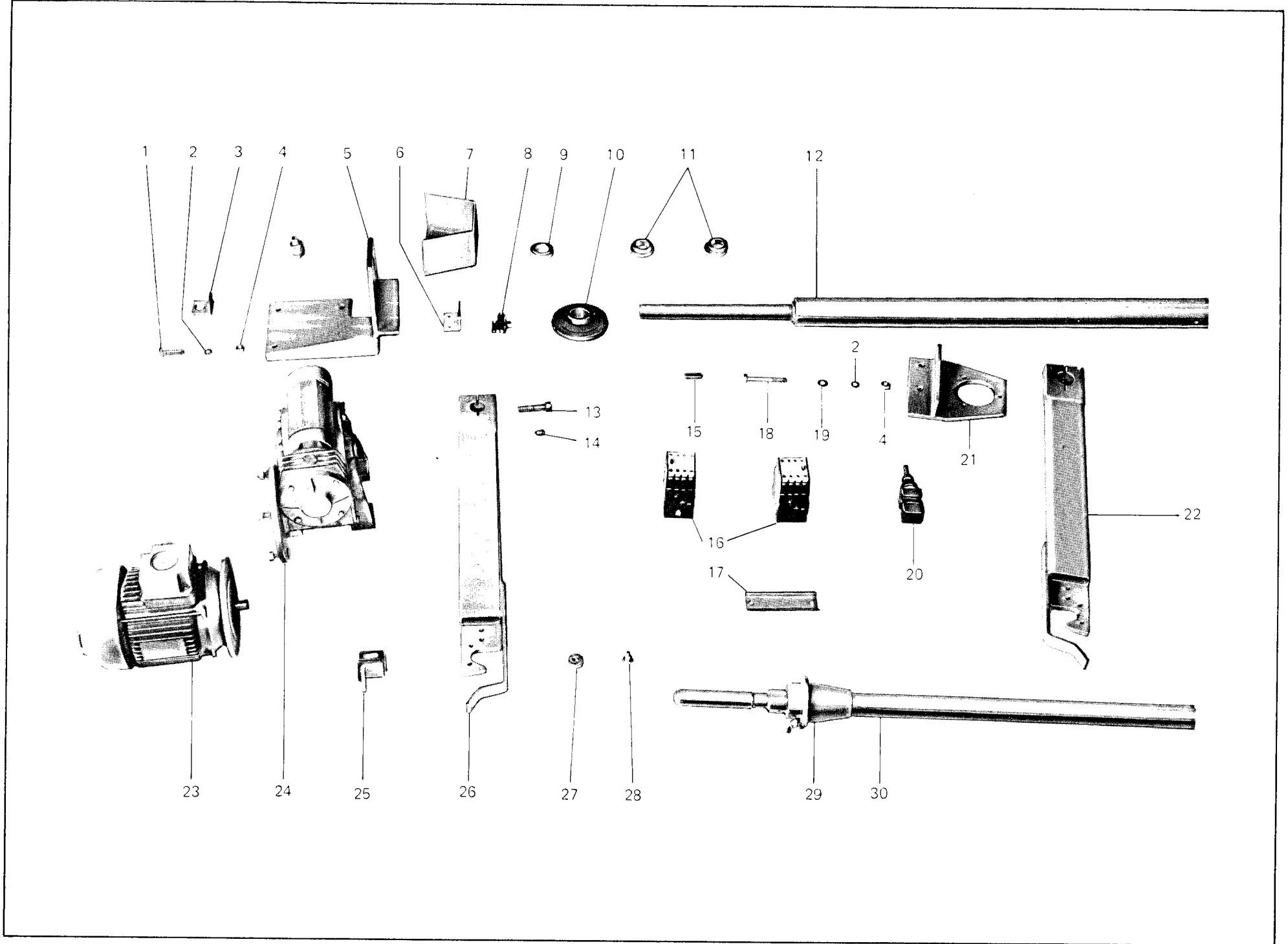


Fig. N. Abb. N.	Part. N. Bestell N. Piece N. Pieza N.	DESCRIZIONE
—	RFN 20/000	caricatore 610 completo
1	RFN 99/038	vite TE M8x40 UNI 5739
2	RFN 99/627	rondella M8 UNI 3703
3	RFN 20/024	squadretta attacco fili
4	RFN 99/542	dado M8 medio UNI 5588
5	RFN 20/011	supporto lato motore
6	RFN 20/019	squadretta per microinterruttore
7	RFN 20/021	copertura
8	RFN 20/005	microinterruttore
9	RFN 20/017	distanziale
10	RFN 20/003	supporto a flangia
11	RFN 20/018	camme di comando
12	RFN 20/016	albero di comando
13	RFN 99/261	vite TCEI M10x50 UNI 5931
14	RFN 99/442	grano M10x16 UNI 5927
15	RFN 98/234	chiavetta 8x7x30 UNI 192
16	RFN 20/006	teleruttore
17	RFN 20/006/1	guida porta teleruttore
18	RFN 99/131	vite TE M8x65 UNI 5739
19	RFN 99/605	rondella M8 UNI 1734
20	RFN 20/004	manipolatore
21	RFN 20/012	supporto lato comandi
22	RFN 20/014	leva lato comandi
23	RFN 20/002/1	motore
24	RFN 20/002	riduttore
25	RFN 20/015	freno per albero porta pezze
26	RFN 20/014/1	leva lato motore
27	RFN GS/608/Z	cuscinetto SKF (8x22x7)
28	RFN 10/117	vite per cuscinetto
29	RFN 10/160	cono per albero porta pezze

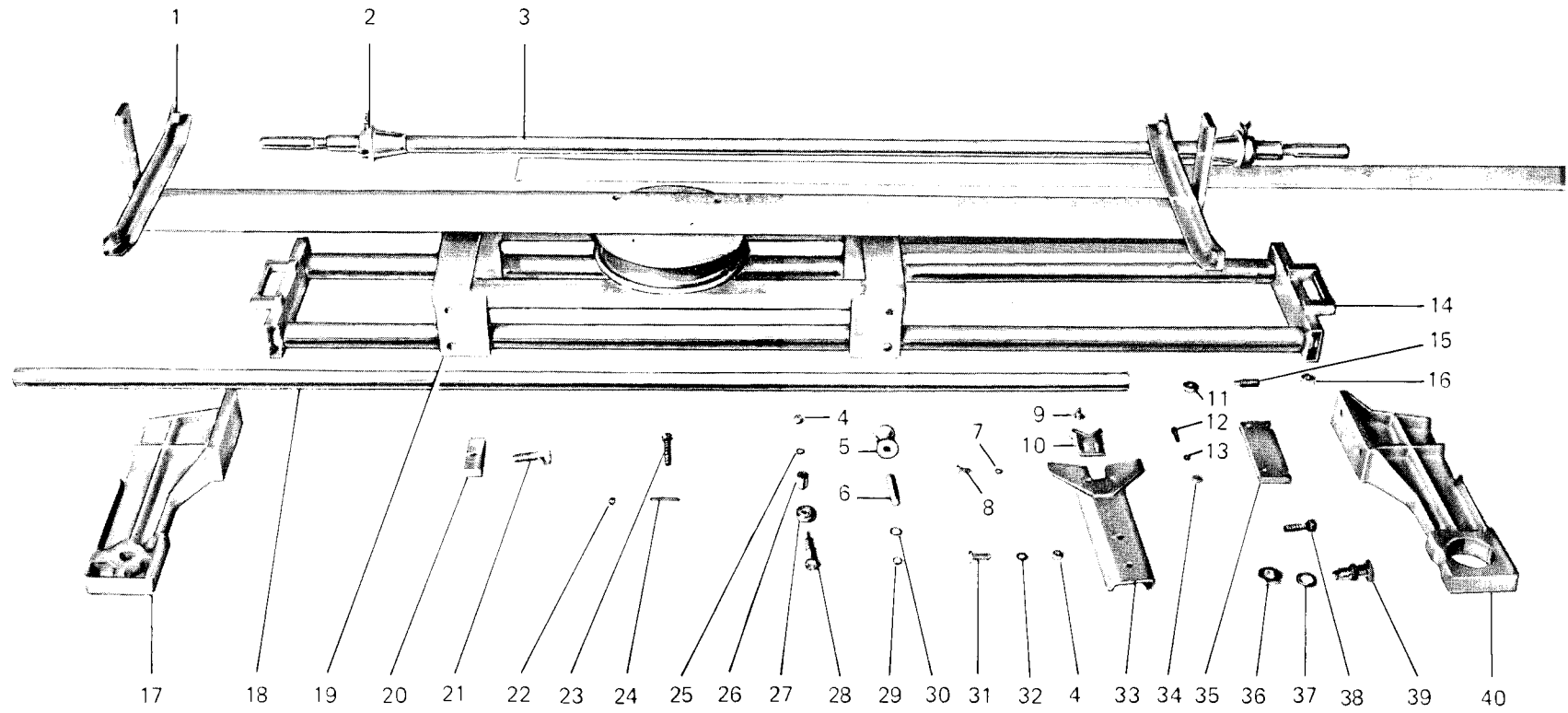


Fig. N. Abb N	Part. N. Bestell N. Piece N. Pieza N	DESCRIZIONE
–	RFN 14/150	torretta girevole completa
1	RFN 14/159	telaio girevole per torretta
2	RFN 10/160	cono per albero porta pezze
3	RFN 14/165	albero porta pezze
4	RFN 99/542	dado M8 medio UNI 5588
5	RFN 14/154	ruota per carrello
6	RFN 14/155	perno per ruota
7	RFN 99/604	rondella M6 UNI 1734
8	RFN 99/026	vite M6x30 UNI 5739
9	RFN 10/117	perno a vite per cuscinetto
10	RFN 10/156/1	freno per albero porta pezze
11	RFN CS/608/Z	cuscinetto SKF (8x22x7)
12	RFN 99/232	vite TCEI M6x25 UNI 5931
13	RFN 99/626	rondella M6 UNI 3703
14	RFN 14/152	telaio fisso per torretta
15	RFN 14/065	grano di bloccaggio cilindrico
16	RFN 99/532	dado M12 medio UNI 5588
17	RFN 14/005/1	spalletta lato motore
18	RFN 14/162	cilindrico guida tessuto
19	RFN 14/153	carrello scorrevole
20	RFN 14/163	piastra
21	RFN 14/164	pomello di bloccaggio
22	RFN 10/151	sfere da 14"
23	RFN 99/350/1	vite EITS M8x60 UNI 5933
24	RFN 10/150	distanziale tra sfere
25	RFN 99/627	rondella M8 UNI 3703
26	RFN 14/158	distanziale
27	RFN CS/6200/2Z	cuscinetto SKF (10x30x9)
28	RFN 14/156	perno eccentrico
29	RFN 98/309	seeger E12
30	RFN 14/157	distanziale per ruota
31	RFN 99/036	vite TE M8x30 UNI 5739
32	RFN 99/605	rondella M8 UNI 1734
33	RFN 14/161	supporto albero porta pezze
34	RFN 99/541	dado M6 medio UNI 5588
35	RFN 14/151	piastra di aggancio
36	RFN 14/614	ghiera di bloccaggio
37	RFN 14/161	rondella
38	RFN 99/245	vite TCEI M8x30 UNI 5931
39	RFN 14/615	perno di bloccaggio torretta
40	RFN 14/004/1	spalletta lato comandi

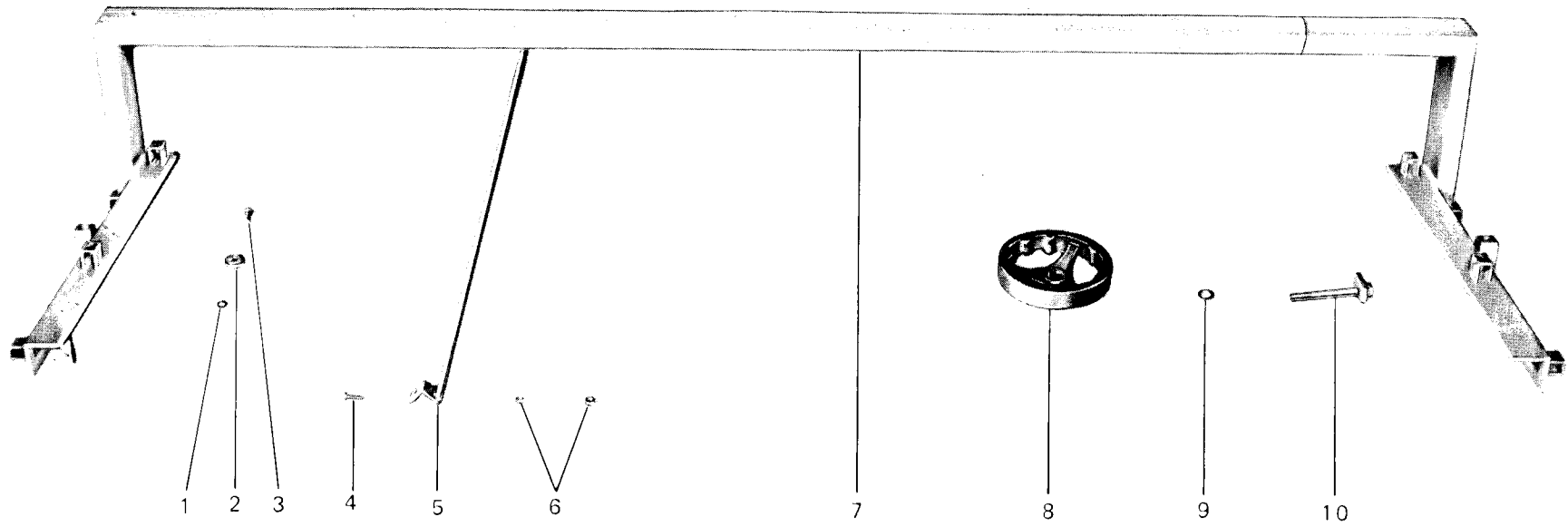


Fig. N Abb. N	Part. N Bestell N Piece N Pieza N	DESCRIZIONE
—	RFN 14/600	supporto scorrevole
1	RFN 98/308	seeger E10 UNI 3653
2	RFN CS/6200/2RS	cuscinetto SKF (10x30x9)
3	RFN 14/654	perno per cuscinetto
4	RFN 99/126	vite TE M8x40 UNI 5737
5	RFN 14/655	asta di regolazione
6	RFN 99/542	dado M8 medio UNI 5588
7	RFN 14/651	telaio del supporto
8	RFN 14/653	volantino per vite
9	RFN 99/607	rondella M12 UNI 1734
10	RFN 13/502	vite per bloccaggio

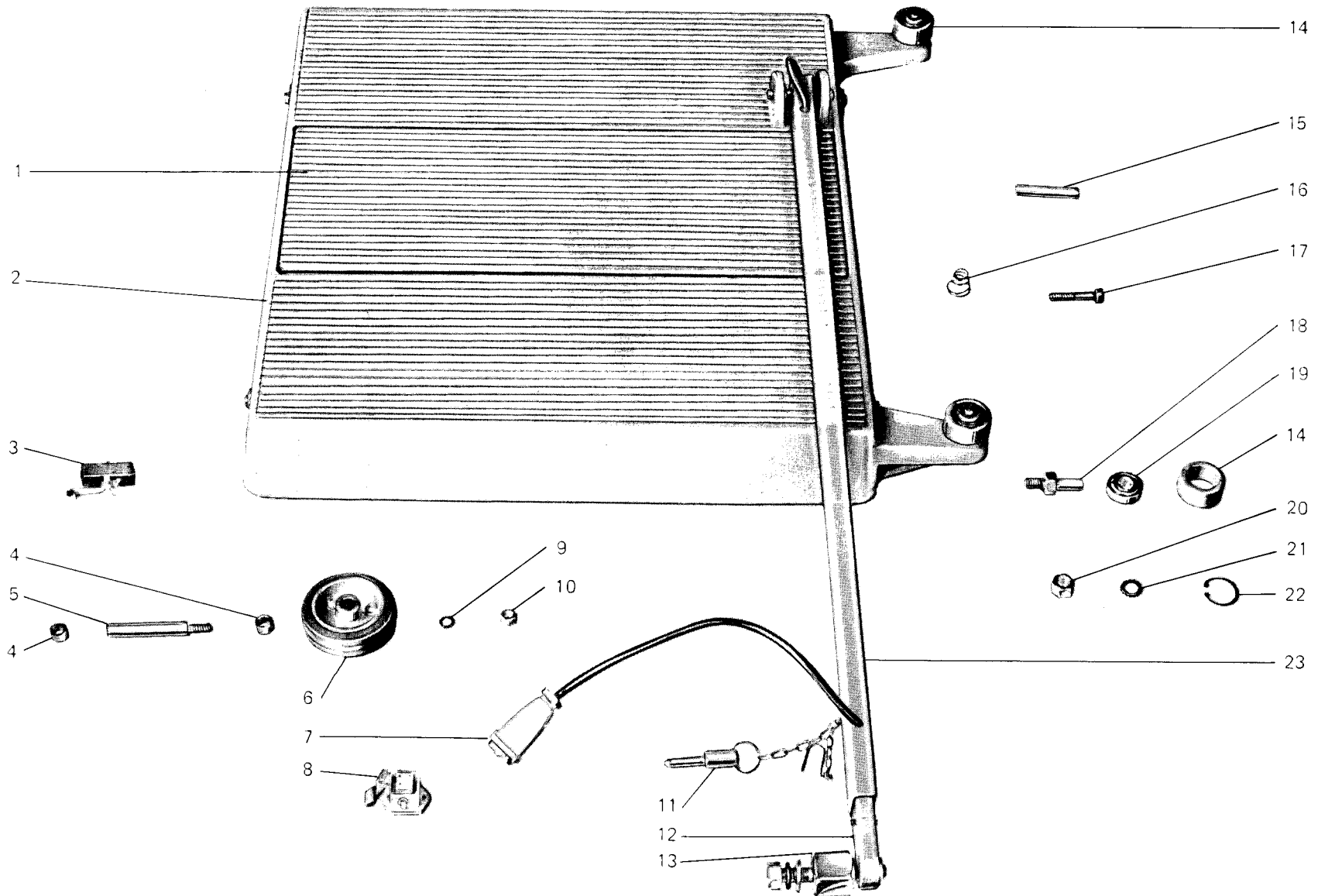


Fig. N. Abb. N.	Part. N. Bestell N. Piec. N. Pieza N.	DESCRIZIONE
—	RFN 10/800	pedana completa
1	RFN 10/803/2	piano mobile per pedana
2	RFN 10/803/1	pedana
3	RFN 10/248	microinterruttore
4	RFN 10/819/1	distanziale
5	RFN 10/820	perno
6	RFN 10/821	ruota
7	RFN 10/819	connettore
8	RFN 10/818	connettore
9	RFN 99/627	rondella M8 UNI 3703
10	RFN 99/542	dado M8 medio UNI 5588
11	RFN 10/818/1	perno per collegamento asta
12	RFN 10/808/A	attacco per asta
13	RFN 10/809	perno per attacco asta
14	RFN 10/804	rullo guida pedana
15	RFN 10/822	perno per fissaggio asta
16	RFN 10/823	molla
17	RFN 10/806	distanziale per ruota
18	RFN 10/805	perno per rullo di guida
19	RFN CS/6200/2Z	cuscinetto RIV-SKF (10x30x9)
20	RFN 99/543	dado M10 medio UNI 5588
21	RFN 99/628	rondella M10 UNI 3703
22	RFN 98/414	seeger I 30
23	RFN 10/808	asta di trascinamento pedana

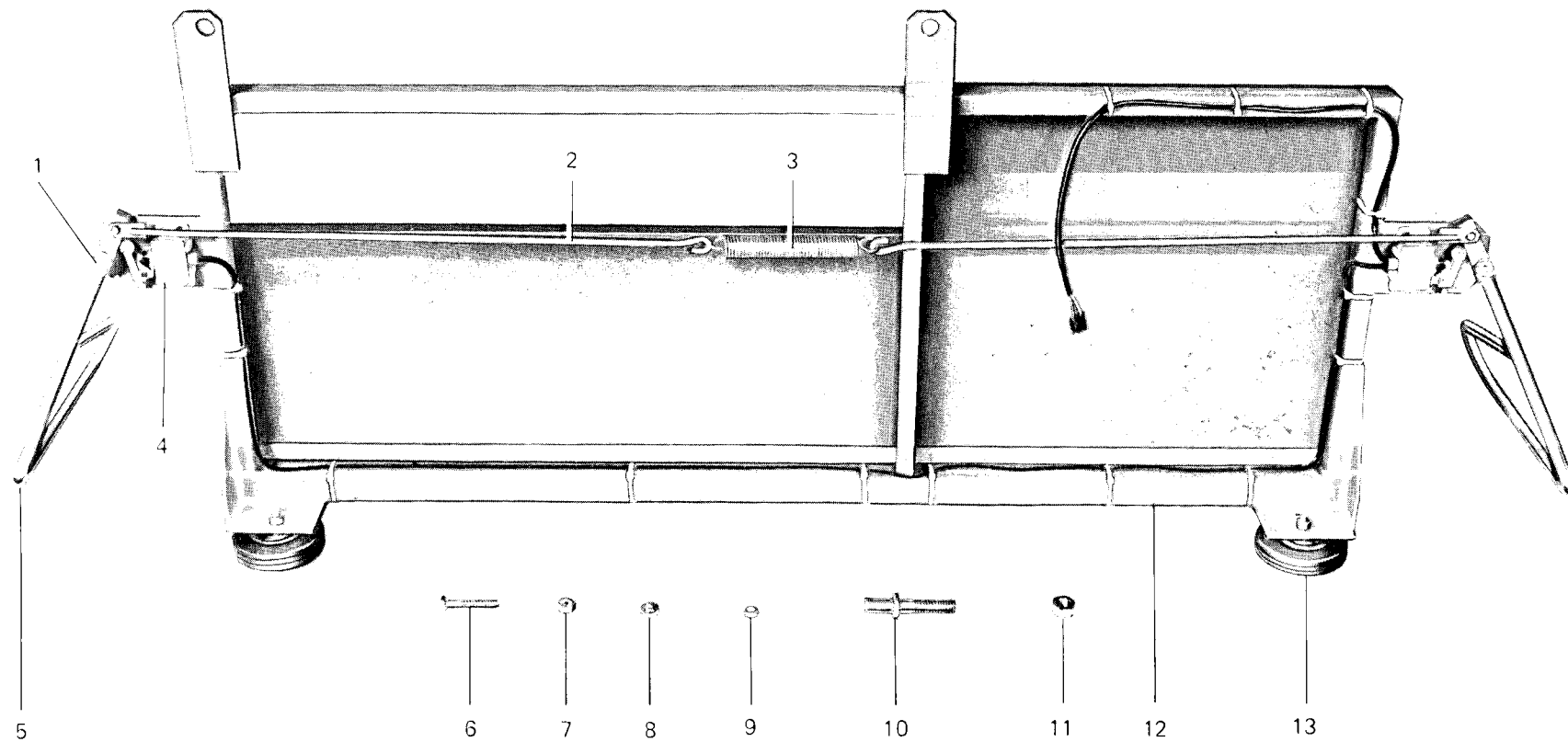


Fig. N Abb N	Part N Bestell N Piece N Pieza N	DESCRIZIONE
-	RFN 14/450	pedana CAR-TP/1 completa
1	RFN 10/867	perno per leva di sicurezza
2	RFN 14/457	leva aggancio molla
3	RFN 10/869	molla
4	RFN 12/401	microinterruttore
5	RFN 10/865	leva di sicurezza
6	RFN 14/453	perno per ruota pedana
7	RFN 99/507	dado M10 alto UNI 5587
8	RFN 14/454	rondella per ruota pedana
9	RFN 14/458	distanziale
10	RFN 14/452	perno per ruota
11	RFN 99/524	dado M20 alto UNI 5587
12	RFN 14/451	telaio
13	RFN 14/459	ruota

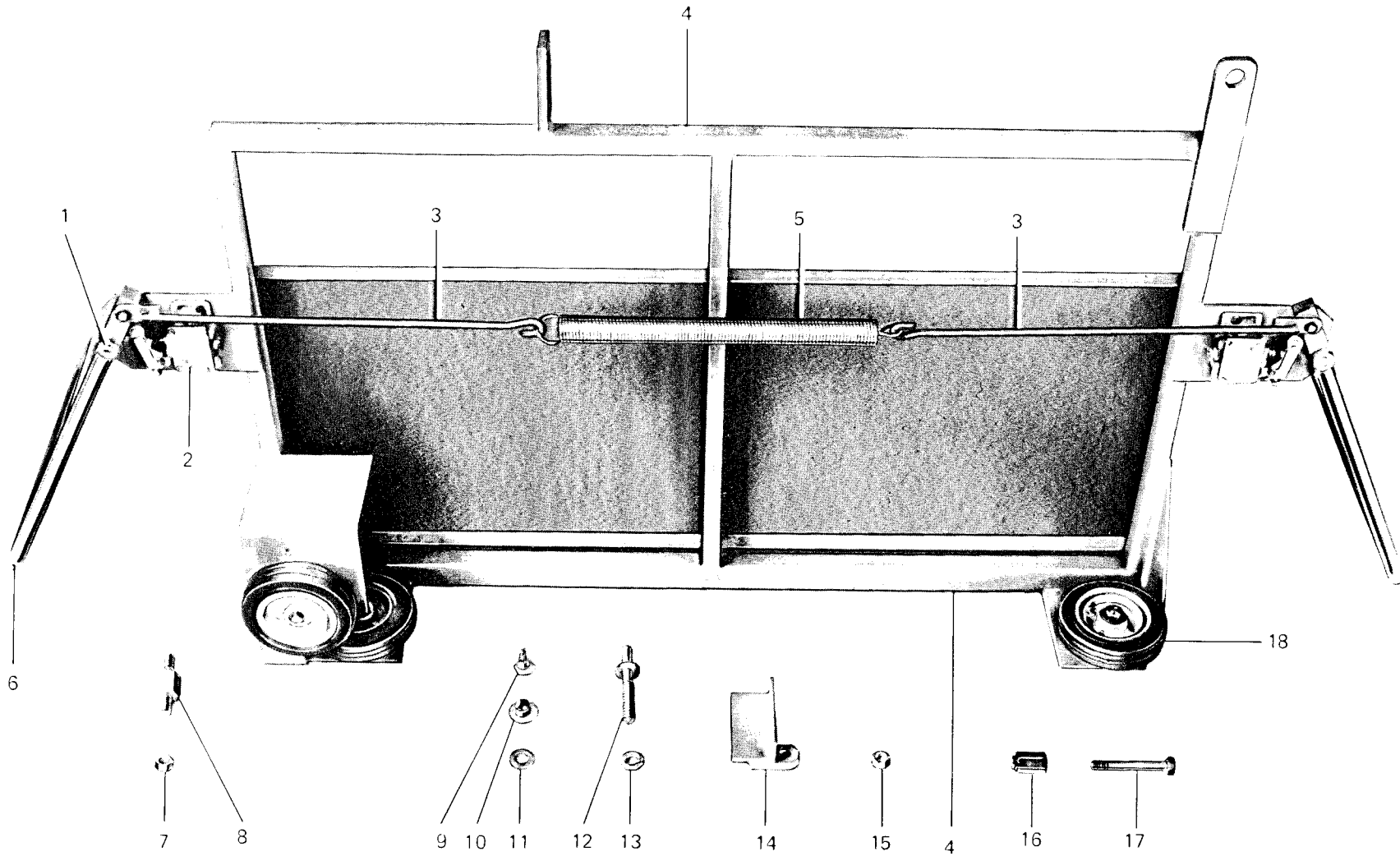


Fig. N Abb. N	Part. N Bestell N Piece N Pieza N	DESCRIZIONE
-	RFN 10/850	pedana CAR-TO/2 completa
1	RFN 10/867	perno per leva di arresto
2	RFN 12/401	microinterruttore
3	RFN 10/870	leva
4	RFN 10/853	telaio
5	RFN 10/869	molla
6	RFN 10/865	leva di arresto
7	RFN 99/508	dado M12 alto UNI 5587
8	RFN 10/860	perno per ruota di sostegno
9	RFN 10/858	perno anteriore
10	RFN 10/855	boccola di oscillazione
11	RFN 10/856	distanziale per perno
12	RFN 10/854	perno per ruota
13	RFN 99/521	dado M14 alto UNI 5587
14	RFN 10/857	supporto per attacco pedana
15	RFN 99/532	dado M12 medio UNI 5588
16	RFN 10/864	distanziale per ruota
17	RFN 10/859	perno per ruota di appoggio
18	RFN 10/871	ruota