

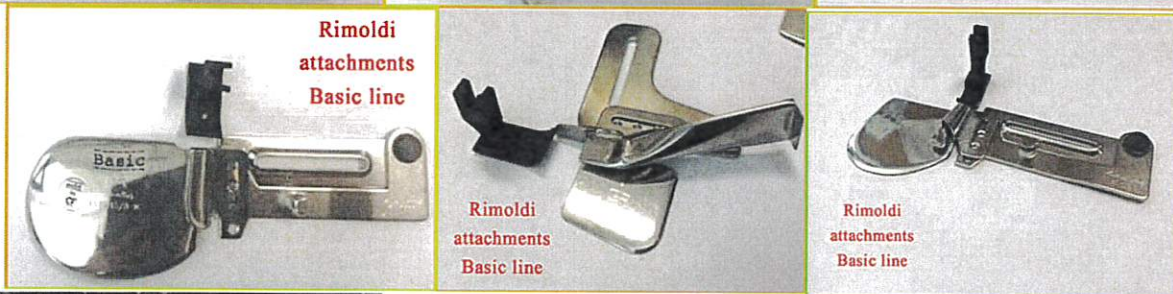
Rimoldi®



BASIC LINE

Una guida più leggera ed economica, con caratteristiche paragonabili a quelle delle GO. Create per i mercati emergenti e ora disponibili per tutti i clienti ,
garantiscono un buon risultato a prezzi imbattibili.

The same technical features of GO range, granting the same performances while sewing and having
the great advantage of being cheaper.



ALWAYS AND ONLY MADE IN ITALY!



HOW TO USE THE CATALOGUE

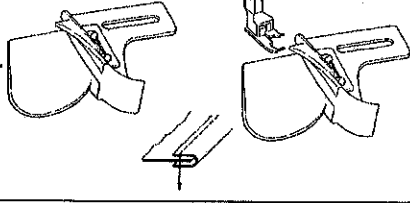
Code number when ordering
Numero de codigo
Code de l'article
Artikelskode

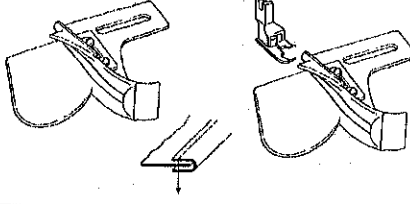
Cut size
Entrada
Entrée
Einlauf Breite

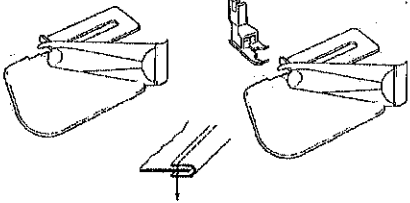
Finished size
Acabado
Finl
Fortige Breite

Part view with relevant
identification number
Part identified by the code number
Articulo identificado por codigo
Article identifié par le code
Artikelsbeschreibung durch
den Kode

Thickness
Grosor
Epaisseur
Stärke

Rimoldi & C		BA 8100		BA 8100 SET		mm.		inch.		mm.		inch.			
						14	9/16	7	9/32					M	
						16	5/8	8	6/16					M	
						19	3/4	8,5	3/8					M	
						22	7/8	11	7/16					M	
						25	1	12,5	1/2					M	
						30	1-3/16	16	16/32					M	

Rimoldi & C		BA 8103		BA 8103 SET		mm.		inch.		mm.		inch.			
						14	9/16	7	9/32					M	
						16	5/8	8	5/16					M	
						18	23/32	9	23/64					M	
						20	25/32	10	25/64					M	
						22	7/8	11	7/16					M	
						25	1	12,5	1/2					M	

Rimoldi & C		BA 8105		BA 8105 SET		mm.		inch.		mm.		inch.			
						14	9/16	7	9/32					M	
						16	5/8	8	6/16					M	
						18	23/32	9	23/64					M	
						20	25/32	10	25/64					M	
						22	7/8	11	7/16					M	
						25	1	12,5	1/2					M	

1/64" = 0,0156" = 0,397 mm.
1/32" = 0,0312" = 0,794 mm.
3/64" = 0,0469" = 1,191 mm.
1/16" = 0,0625" = 1,587 mm.
5/64" = 0,0781" = 1,984 mm.
3/32" = 0,0937" = 2,381 mm.
7/64" = 0,1094" = 2,776 mm.
1/8" = 0,1250" = 3,175 mm.
9/64" = 0,1406" = 3,572 mm.
5/32" = 0,1562" = 3,969 mm.
11/64" = 0,1719" = 4,366 mm.
3/16" = 0,1875" = 4,762 mm.
13/64" = 0,2031" = 5,159 mm.
7/32" = 0,2187" = 5,556 mm.
15/64" = 0,2344" = 5,953 mm.
1/4" = 0,2500" = 6,350 mm.

17/64" = 0,2656" = 6,747 mm.
9/32" = 0,2812" = 7,144 mm.
19/64" = 0,2969" = 7,541 mm.
5/16" = 0,3125" = 7,937 mm.
21/64" = 0,3281" = 8,334 mm.
11/32" = 0,3437" = 8,731 mm.
23/64" = 0,3594" = 9,128 mm.
3/8" = 0,3750" = 9,525 mm.
25/64" = 0,3906" = 9,922 mm.
13/32" = 0,4062" = 10,32 mm.
27/64" = 0,4219" = 10,72 mm.
7/16" = 0,4375" = 11,11 mm.
29/64" = 0,4531" = 11,51 mm.
15/32" = 0,4687" = 11,91 mm.
31/64" = 0,4844" = 12,30 mm.
1/2" = 0,5000" = 12,70 mm.

17/32" = 0,5312" = 13,49 mm.
9/16" = 0,5625" = 14,29 mm.
19/32" = 0,5937" = 15,08 mm.
5/8" = 0,6250" = 15,87 mm.
21/32" = 0,6562" = 16,67 mm.
11/16" = 0,6875" = 17,46 mm.
23/32" = 0,7187" = 18,26 mm.
3/4" = 0,7500" = 19,05 mm.
25/32" = 0,7812" = 19,84 mm.
13/16" = 0,8125" = 20,64 mm.
27/32" = 0,8437" = 21,43 mm.
7/8" = 0,8750" = 22,22 mm.
29,32" = 0,8062" = 23,02 mm.
15/16" = 0,9375" = 23,81 mm.
31/32" = 0,9687" = 24,61 mm.
1" = 1,0000" = 25,40 mm.

The symbol that define the thicknesses relevant to the fabrics are as follows:

L = Light
M = Medium
MH = Medium heavy
H = Heavy
XH = Extra heavy

The size indicatin the finish are indicative and vary according to the fabrics used, and to their Thickness

Le simbole che definiscono gli spessori relativi al materiali sono le seguenti:

Leggero
Medio
Medio pesante
Pesante
Extra pesante

Le misure che indicano l'uscita delle apparecchiature sono indicative e possono variare a seconda dei materiali usati, e del loro spessori

Definitions des symboles suivant les épaisseurs de la matières:

Léger
Moyen
Moyen épais
Épais
Très épais

Les mesures qui indiquent la largeur de sortie de sont données à titre indicatif et peuvent changer selon les matières employées et leurs épaisseurs

Los símbolos que definen los grosor relativos a los materiales son los siguientes:

Ligero = mm. 1,5
Medio = mm. 2
Medio Pesado = mm. 2,5
Pesado = mm. 3,5
Extra pesado = mm. 4,6

Las medidas que indican la salida de las guías son indicativas y pueden variar segun al material usado y de su grosor

BA 8100 **BA 8100 SET**

mm.		inch		
14	9/16	7	9/32	M
16	5/8	8	5/16	M
19	3/4	9,5	3/8	M
22	7/8	11	7/16	M
25	1	12,5	1/2	M
30	1-3/16	15	19/32	M

BA 8103 **BA 8103 SET**

mm.		inch		
12	15/32	6	1/4	M
14	9/16	7	9/32	M
16	5/8	8	5/16	M
18	23/32	9	23/64	M
20	25/32	10	25/64	M
22	7/8	11	7/16	M
25	1	12,5	1/2	M

BA 8105 **BA 8105 SET**

mm.		inch		
14	9/16	7	9/32	M
16	5/8	8	5/16	M
18	23/32	9	23/64	M
20	25/32	10	25/64	M
25	1	12,5	1/2	M

BASIC



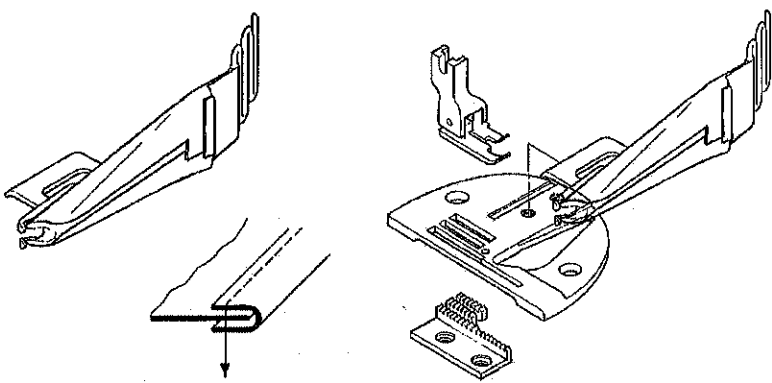
BA 8110		BA 8110 SET				
		mm.	Inch	mm.	Inch	
		19	3/4	5	3/16	M
		22	7/8	6	1/4	M
		25	1	7	9/32	M
		30	1-3/16	8	5/16	M
		35	1-3/8	9	3/8	M
		40	1-9/16	11	7/16	M

BA 8115		BA 8115 SET				
		mm.	Inch	mm.	Inch	
		19	3/4	5	3/16	M
		22	7/8	6	1/4	M
		25	1	7	9/32	M
		30	1-3/16	8	5/16	M
		35	1-3/8	9	3/8	M
		40	1-9/16	11	7/16	M

BA 8150		BA 8118 SET	DURKOPP 271					
		BA 8120 SET	BROTHER 737	mm.	Inch			
		BA 8122 SET	JUKI 5550	20	3/4	5	3/16	M
		BA 8150 SET	NORMAL LOCKSTITCH	22	7/8	6	1/4	M
		25	1	7	9/32	M		
		28	1-1/8	8	5/16	M		
		30	1-3/16	9	11/32	M		
		32	1-1/4	10	3/8	M		
		35	1-3/8	11	7/16	M		
		40	1-9/16	12	15/32	M		
		45	1-3/4	14	9/16	M		

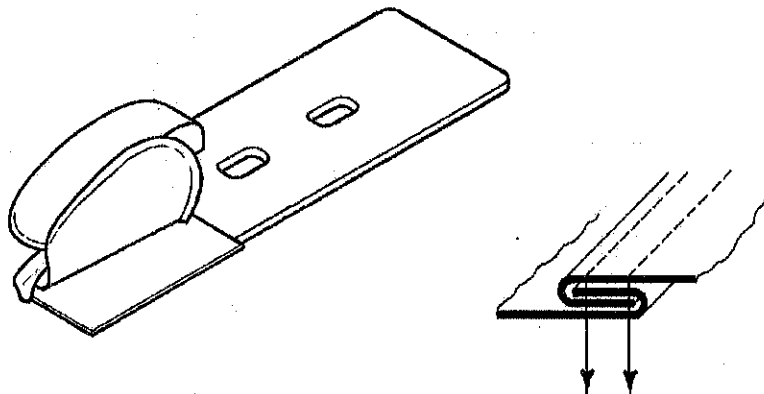
BA 8152

BA 8119 SET DURKOPP 271
 BA 8121 SET BROTHER 737
 BA 8123 SET JUKI 5550
 BA 8152 SET NORMAL LOCKSTITCH



mm.		Inch		
14	9/16	7	9/32	M
16	5/8	8	5/16	M
18	11/16	9	11/32	M
20	3/4	10	3/8	M
22	7/8	11	7/16	M
25	1	12,5	1/2	M

BA 8160


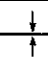
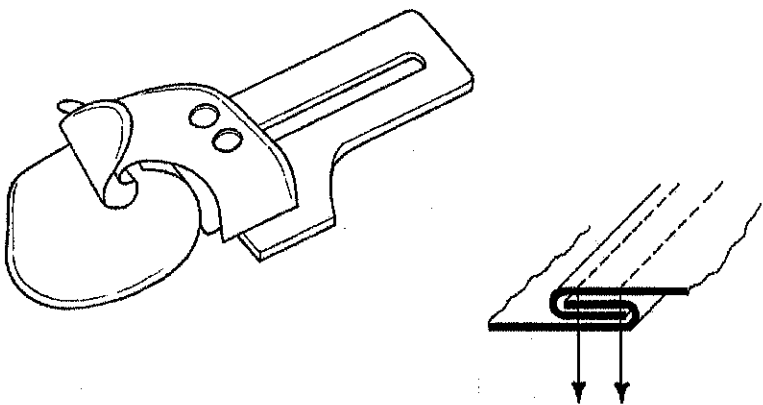


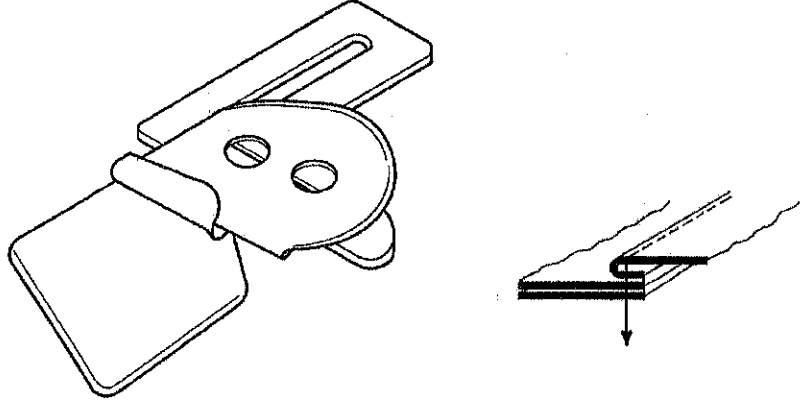

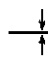
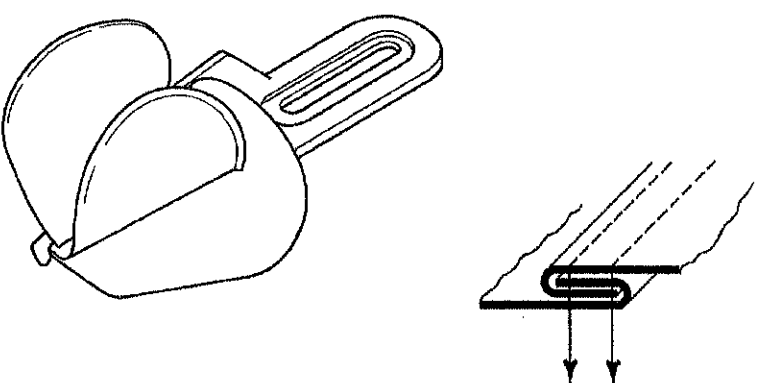


mm.	Inch		
4,8	3/16	L	
4,8	3/16	M	
4,8	3/16	MH	
4,8	3/16	H	
6,4	1/4	L	
6,4	1/4	M	
6,4	1/4	MH	
6,4	1/4	H	

2

BASIC



BA 8170				
	mm.	Inch		
	4,8	3/16	L	
	4,8	3/16	M	
	4,8	3/16	MH	
	4,8	3/16	H	
	6,4	1/4	L	
	6,4	1/4	M	
	6,4	1/4	MH	
	6,4	1/4	H	
BA 8173				
	mm.	Inch		
	10	3/8	M	
BA 8190				
	mm.	Inch		
	4,8	3/16	L	
	4,8	3/16	M	
	4,8	3/16	MH	
	4,8	3/16	H	
	6,4	1/4	L	
	6,4	1/4	M	
	6,4	1/4	MH	
	6,4	1/4	H	

BA 8200 A		BA 8200 A SET				
		mm.	Inch			
		5	3/16	M		
		6	1/4	M		
		7	9/32	M		
		8	5/16	M		
		10	3/8	M		
		12	1/2	M		
		14	9/16	M		
		16	5/8	M		
		20	25/32	M		
25	1	M				

BA 8200 B		BA 8200 B SET				
		mm.	Inch			
		5	3/16	M		
		6	1/4	M		
		7	9/32	M		
		8	5/16	M		
		10	3/8	M		
		12	1/2	M		
		14	9/16	M		
		16	5/8	M		
		20	25/32	M		
25	1	M				

BA 8205 A		BA 8205 A SET				
		mm.	Inch			
		4	5/32	M		
		5	3/16	M		
		6	1/4	M		
		8	5/16	M		
10	3/8	M				
12	1/2	M				

2

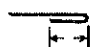

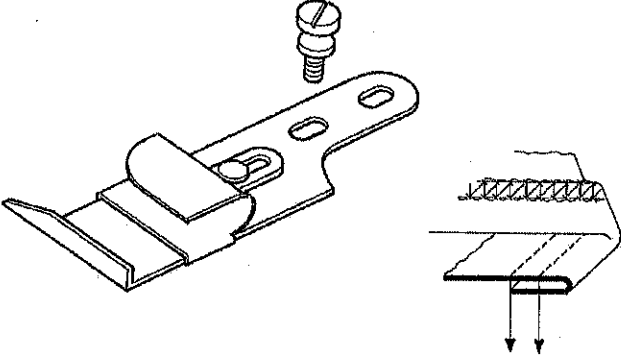
BASIC



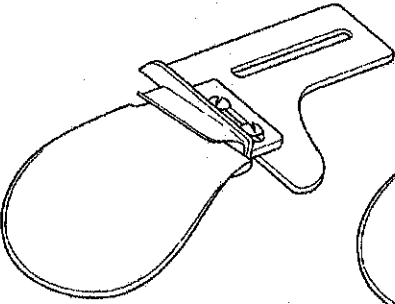
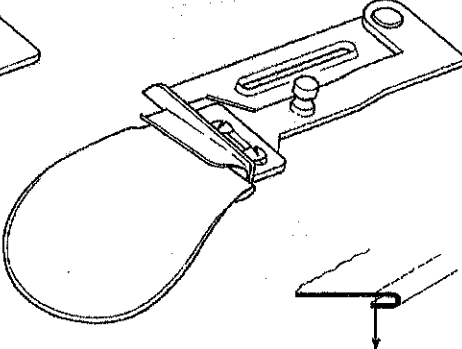




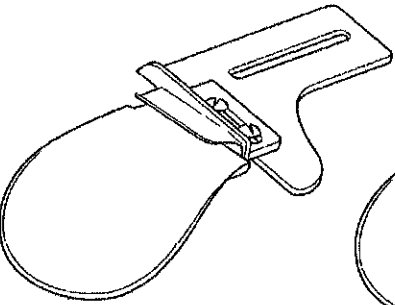
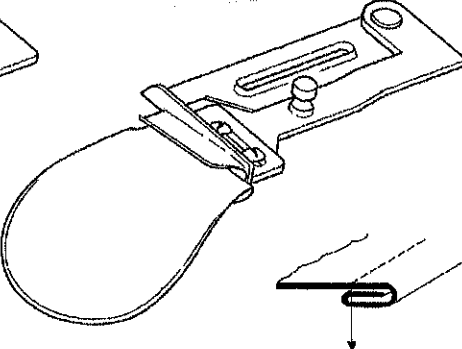
BA 8205 B		BA 8205 B SET				
		mm.	inch			
		4	5/32	M		
		5	3/16	M		
		6	1/4	M		
		8	5/16	M		
		10	3/8	M		
		12	1/2	M		

BA 8206 A		BA 8206 A SET				
		mm.	inch			
		4	5/32	M		
		5	3/16	M		
		6	1/4	M		
		8	5/16	M		
10	3/8	M				

BA 8206 B		BA 8206 B SET				
		mm.	inch			
		4	5/32	M		
		5	3/16	M		
		6	1/4	M		
		8	5/16	M		
10	3/8	M				

BA 8209			
	mm. 10 ÷ 20 Inch 3/8 ÷ 3/4	M	

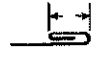
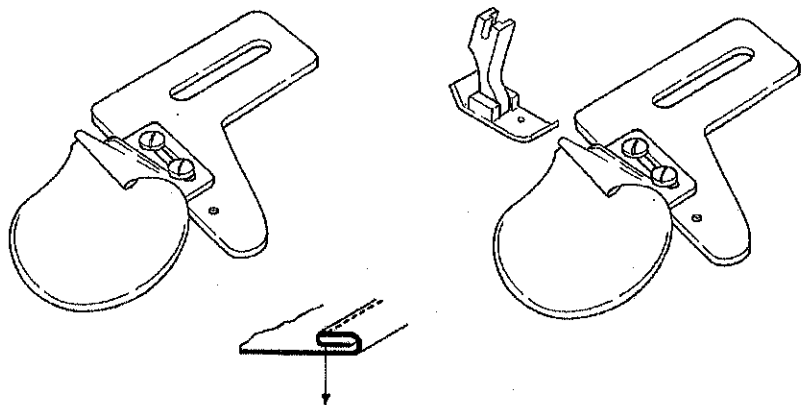
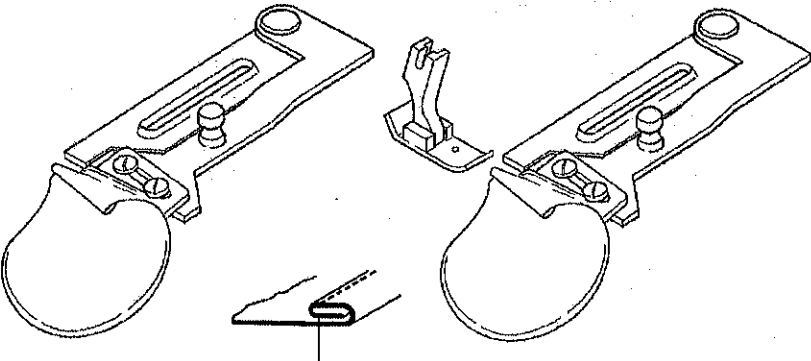
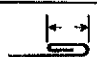
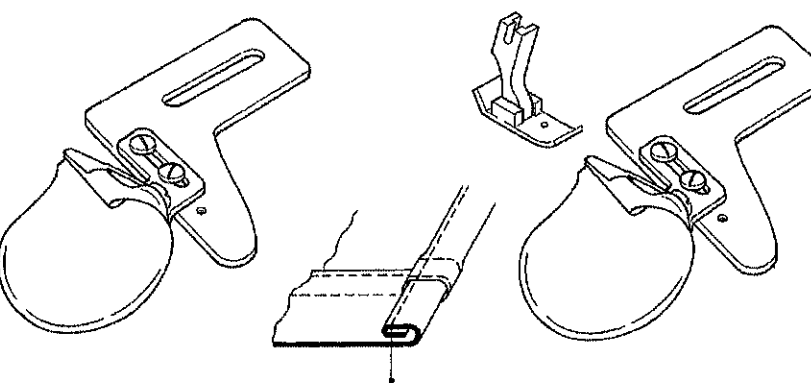
BA 8212 A	BA 8212 B																																			
		<table border="1"> <thead> <tr> <th>mm.</th> <th>Inch</th> <th></th> <th></th> </tr> </thead> <tbody> <tr><td>6</td><td>1/4</td><td>M</td><td></td></tr> <tr><td>8</td><td>5/16</td><td>M</td><td></td></tr> <tr><td>10</td><td>3/8</td><td>M</td><td></td></tr> <tr><td>12</td><td>1/2</td><td>M</td><td></td></tr> <tr><td>16</td><td>5/8</td><td>M</td><td></td></tr> <tr><td>20</td><td>25/32</td><td>M</td><td></td></tr> <tr><td>25</td><td>1</td><td>M</td><td></td></tr> </tbody> </table>	mm.	Inch			6	1/4	M		8	5/16	M		10	3/8	M		12	1/2	M		16	5/8	M		20	25/32	M		25	1	M		M	
mm.	Inch																																			
6	1/4	M																																		
8	5/16	M																																		
10	3/8	M																																		
12	1/2	M																																		
16	5/8	M																																		
20	25/32	M																																		
25	1	M																																		


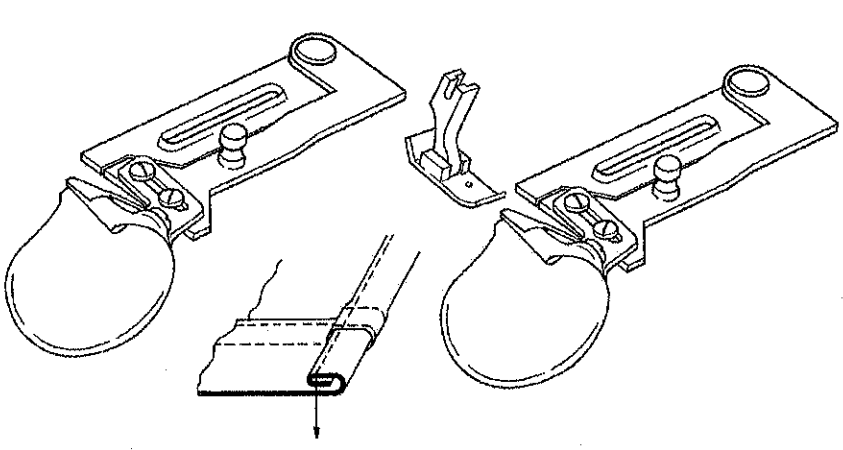
BA 8215 A	BA 8215 B																							
		<table border="1"> <thead> <tr> <th>mm.</th> <th>Inch</th> <th></th> <th></th> </tr> </thead> <tbody> <tr><td>6</td><td>1/4</td><td>MH</td><td></td></tr> <tr><td>8</td><td>5/16</td><td>MH</td><td></td></tr> <tr><td>10</td><td>3/8</td><td>MH</td><td></td></tr> <tr><td>12</td><td>1/2</td><td>MH</td><td></td></tr> </tbody> </table>	mm.	Inch			6	1/4	MH		8	5/16	MH		10	3/8	MH		12	1/2	MH		MH	
mm.	Inch																							
6	1/4	MH																						
8	5/16	MH																						
10	3/8	MH																						
12	1/2	MH																						


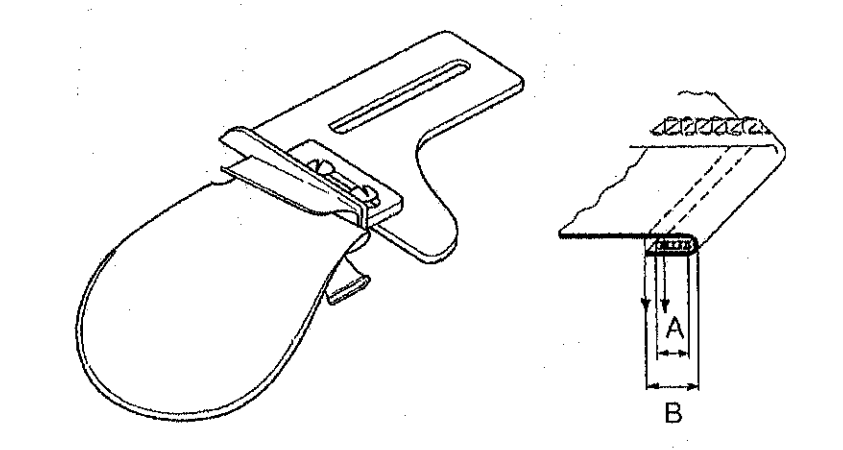
2


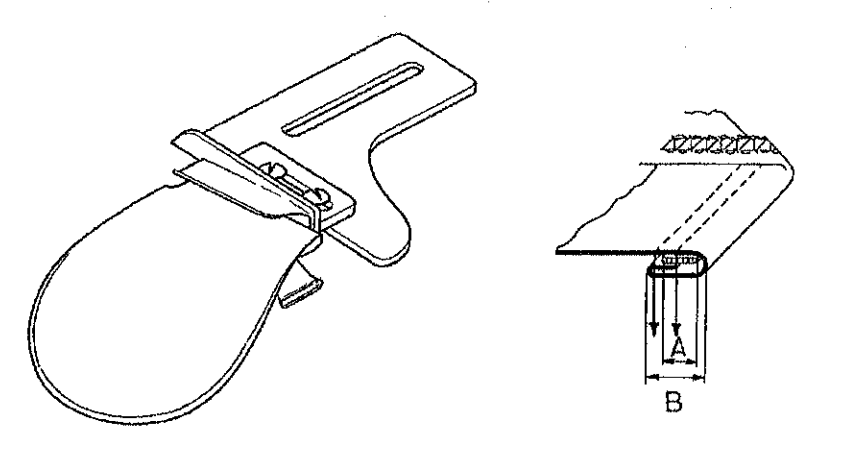
BASIC



BA 8222 A	BA 8222 A SET															
		<table border="1"> <thead> <tr> <th>mm.</th> <th>Inch</th> </tr> </thead> <tbody> <tr> <td>1,6</td> <td>1/16</td> </tr> <tr> <td>3,2</td> <td>1/8</td> </tr> <tr> <td>4,8</td> <td>3/16</td> </tr> <tr> <td>6,4</td> <td>1/4</td> </tr> <tr> <td>9,5</td> <td>3/8</td> </tr> </tbody> </table>	mm.	Inch	1,6	1/16	3,2	1/8	4,8	3/16	6,4	1/4	9,5	3/8		
mm.	Inch															
1,6	1/16															
3,2	1/8															
4,8	3/16															
6,4	1/4															
9,5	3/8															
		<table border="1"> <thead> <tr> <th>mm.</th> <th>Inch</th> </tr> </thead> <tbody> <tr> <td>1,6</td> <td>1/16</td> </tr> <tr> <td>3,2</td> <td>1/8</td> </tr> <tr> <td>4,8</td> <td>3/16</td> </tr> <tr> <td>6,4</td> <td>1/4</td> </tr> <tr> <td>9,5</td> <td>3/8</td> </tr> </tbody> </table>	mm.	Inch	1,6	1/16	3,2	1/8	4,8	3/16	6,4	1/4	9,5	3/8		
mm.	Inch															
1,6	1/16															
3,2	1/8															
4,8	3/16															
6,4	1/4															
9,5	3/8															
BA 8223 A	BA 8223 A SET															
		<table border="1"> <thead> <tr> <th>mm.</th> <th>Inch</th> </tr> </thead> <tbody> <tr> <td>1,6</td> <td>1/16</td> </tr> <tr> <td>3,2</td> <td>1/8</td> </tr> <tr> <td>4,8</td> <td>3/16</td> </tr> <tr> <td>6,4</td> <td>1/4</td> </tr> <tr> <td>9,5</td> <td>3/8</td> </tr> </tbody> </table>	mm.	Inch	1,6	1/16	3,2	1/8	4,8	3/16	6,4	1/4	9,5	3/8		
mm.	Inch															
1,6	1/16															
3,2	1/8															
4,8	3/16															
6,4	1/4															
9,5	3/8															

BA 8223 B	BA 8223 B SET				
		mm.	Inch		
		1,6	1/16		
		3,2	1/8		
		4,8	3/16		
		6,4	1/4		
		9,5	3/8		

BA 8243		A	B			
		mm.	inch	mm.	inch	
		6	1/4	8	5/16	M
		8	5/16	10	3/8	M
		10	3/8	12	15/32	M
		14	9/16	16	5/8	M
		18	11/16	20	3/4	M
		23	29/32	25	1	M

BA 8244		A	B			
		mm.	inch	mm.	inch	
		6	1/4	8	5/16	M
		10	3/8	12	15/32	M

2

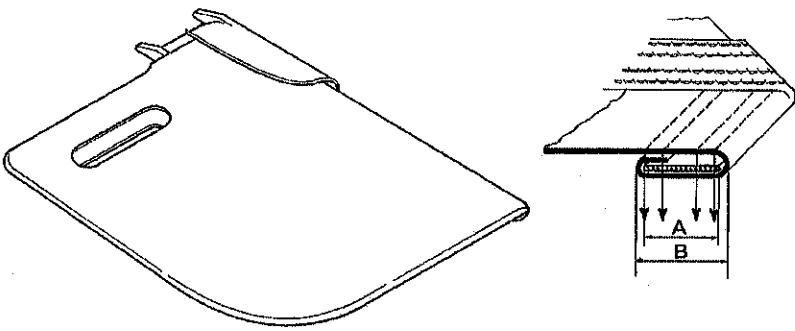
BASIC

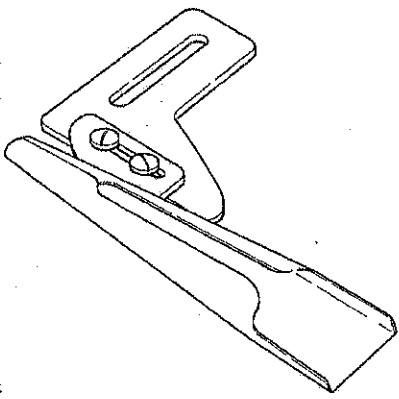


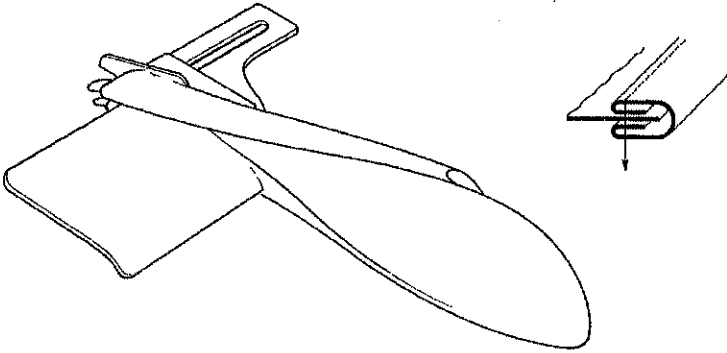
BA 8230 A		BA 8230 B				
		mm.	Inch			
		15	19/32	M		
		20	25/32	M		
		25	1	M		
		30	1-3/16	M		

BA 8245					A	B			
					mm.	Inch	mm.	Inch	
					6	1/4	11	7/16	M
					12	15/32	16	5/8	M
					15	19/32	20	3/4	M
					20	3/4	25	1	M
					20	3/4	25	1	H

BA 8250					A	B			
					mm.	Inch	mm.	Inch	
					6	1/4	12	15/32	M
					8	5/16	14	9/16	M

BA 8255				
				
A		B		+
mm.	inch	mm.	inch	
23	29/32	25	1	M
28	1-3/32	30	1-3/16	M
32	1-1/4	34	1-11/32	M
34	1-11/32	36	1-13/32	M

BA 8292				
				
+		+		+
mm.	inch	mm.	inch	
16	5/8	8	5/16	MH
20	25/32	10	25/64	MH
25	1	12,5	1/2	MH
30	1-3/16	15	19/32	MH

BA 8320				
				
+		+		+
mm.	inch	mm.	inch	
45	1-3/4	16	5/8	M
50	2	18	11/16	M
55	2-3/16	20	3/4	M
60	2-3/8	22	7/8	M
65	2-9/16	24	15/16	M
70	2-3/4	26	1-1/32	M
80	3-1/8	30	1-1/8	M
90	3-9/16	35	1-3/8	M
100	3-15/16	40	1-9/16	M

2

BASIC



BA 8325 A BROTHER - YAMATO KANSAI - UNION SPECIAL		BA 8325 B RIMOLDI		BA8325 C SINGER				
mm.	inch	mm.	inch	mm.	inch			
85	3-3/8	30	1-3/16					M
85	3-3/8	30	1-3/16					H
95	3-3/4	36	1-7/16					L
95	3-3/4	36	1-7/16					M
95	3-3/4	36	1-7/16					H
105	4-1/8	43	1-11/16					L
105	4-1/8	43	1-11/16					M
105	4-1/8	43	1-11/16					H

BA 8330							
mm.	inch	mm.	inch				
19	3/4	9,5	3/8				M
22	7/8	11	7/16				M
25	1	12,5	1/2				M
30	1-3/16	15	19/32				M

BA 8331							
mm.	inch	mm.	inch				
19	3/4	2	5/64				M

BA 8360 **BA 8360 SET**

mm.	Inch	mm.	Inch	
19	3/4	9,5	3/8	M
25	1	12,5	1/2	M
30	1-3/16	15	19/32	M

BA 8361 **BA 8361 SET**

mm.	Inch	mm.	Inch	
19	3/4	2	5/64	M

BA 8365 **BA 8365 SET**

mm.	Inch			
10	3,8			

2

BASIC



BA 8375

mm.	Inch	mm.	Inch	
18	23/32	9	11/32	M
20	25/32	10	25/64	M
22	7/8	11	7/16	M
26	1-1/32	13	1/2	M
30	1-3/16	15	19/32	M

BA 8380 **BA 8380 SET**

mm.	Inch			
10	3/8			

BA 8395 A

mm.	Inch	mm.	Inch	
20	3/4	10	3/8	M
30	1-3/16	15	19/32	M
40	1-9/16	20	13/16	M
50	2	25	1	M
56	2-3/16	28	1-1/8	M
64	2-1/2	32	1-1/4	M

BA 8395 B							
mm.	Inch	mm.	Inch				
20	3/4	10	3/8			M	
30	1-3/16	15	19/32			M	
40	1-9/16	20	13/16			M	
50	2	25	1			M	
56	2-3/16	28	1-1/8			M	
64	2-1/2	32	1-1/4			M	

BA 8400							
mm.	Inch	mm.	Inch				
20	25/32	10	25/64			M	
26	1	13	1/2			MH	
32	1-1/4	16	5/8			MH	
38	1-1/2	19	3/4			MH	
44	1-3/4	22	7/8			MH	
51	2	25,5	1			MH	

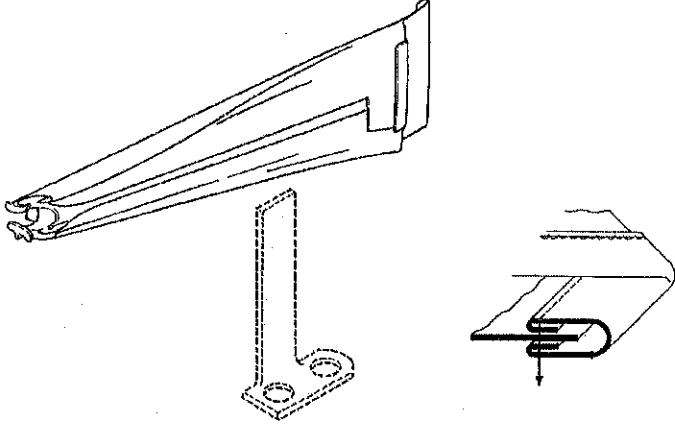
BA 8405							
mm.	Inch	mm.	Inch				
27	1-1/16	10	25/64			M	
32	1-1/4	12	15/32			M	
38	1-1/2	16	5/8			M	
45	1-3/4	19	3/4			M	
51	2	22	7/8			M	
57	2-1/4	26	1			M	

2

BASIC

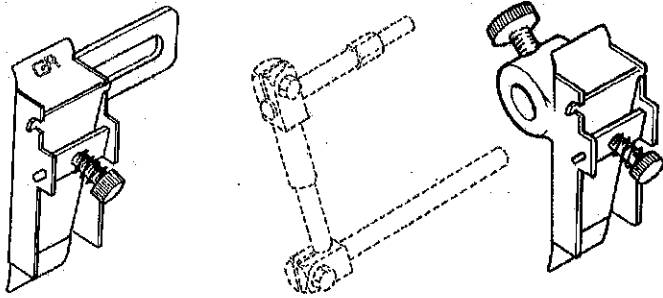


BA 8410



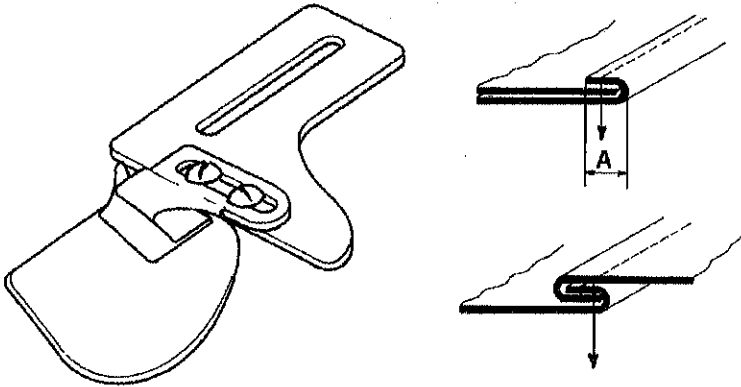
mm.	inch	mm.	inch	
28	1-1/8	7	9/32	M
32	1-1/4	8	5/16	M
35	1-3/8	10	3/8	M
38	1-1/2	12	15/32	M
42	1-21/32	14	9/16	M
46	1-13/16	16	5/8	M
56	2-7/32	20	25/32	M

BA 8431 BA 8431/1



mm.	inch				
10	25/64				
15	19/32				
20	25/32				
30	1-3/16				

BA 8441



		A		
mm.	inch			
7	9/32	L		
7	9/32	M		
10	3/8	L		
10	3/8	M		
13	1/2	L		
13	1/2	M		